



TFT-LCD MONITOR

1503FP

SERVICE Manual

TFT-LCD MONITOR

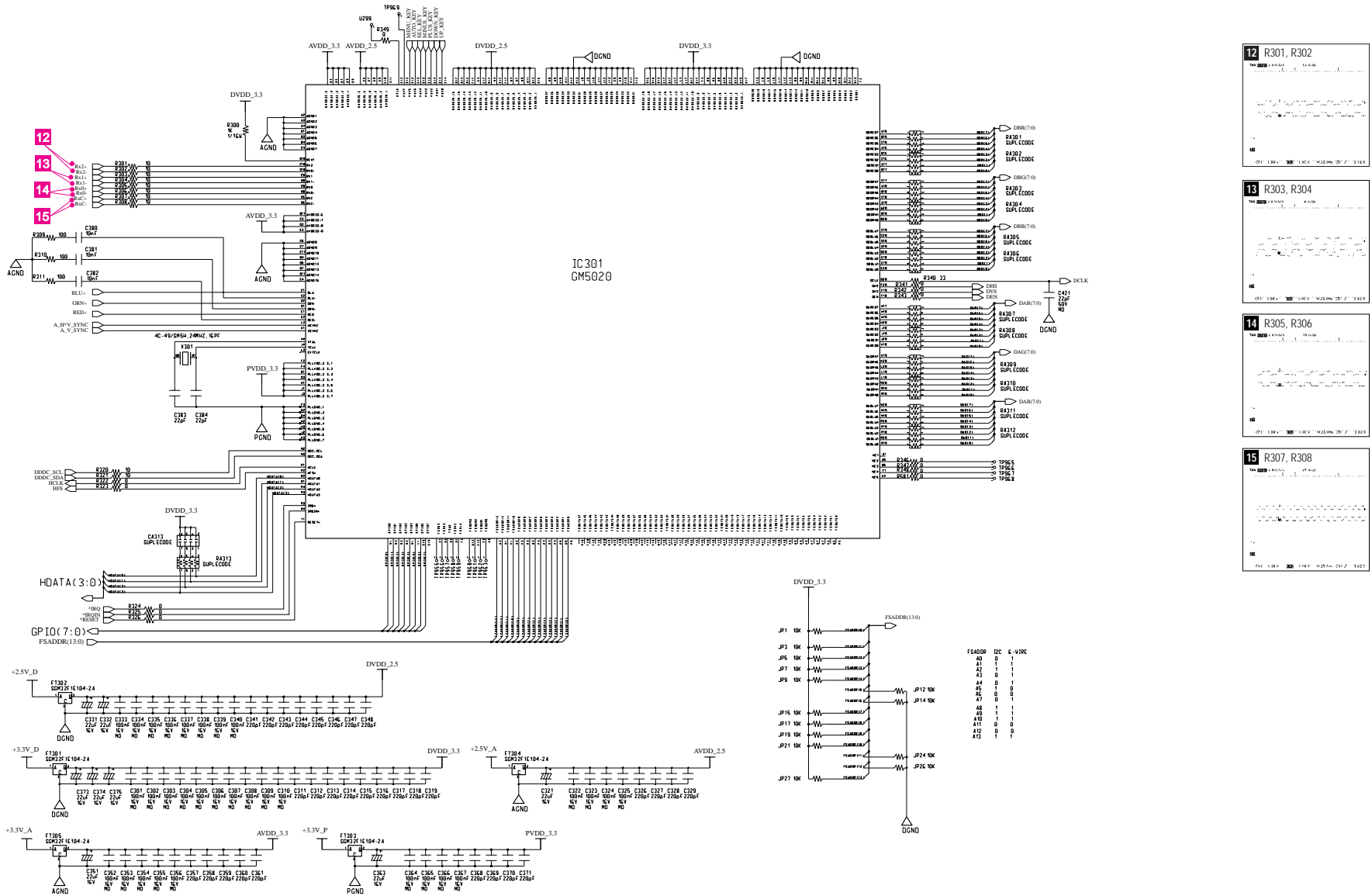


CONTENTS

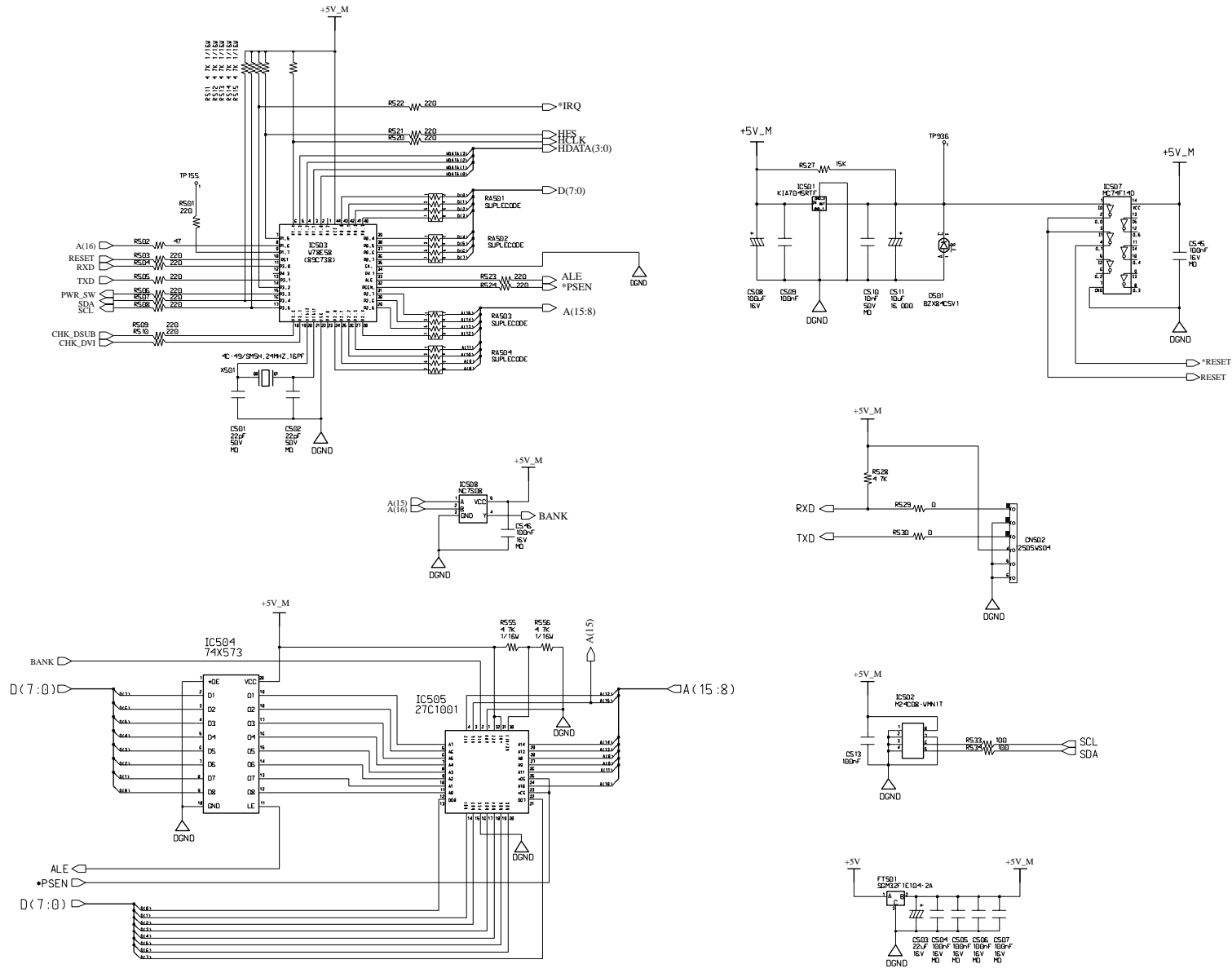
1. Precautions
2. Product Specifications
3. Disassembly & Reassembly
4. Troubleshooting
5. Exploded View & Parts List
6. Electrical Parts List
7. Block Diagram
8. Wiring Diagram
9. Schematic Diagrams

9 Schematic Diagrams

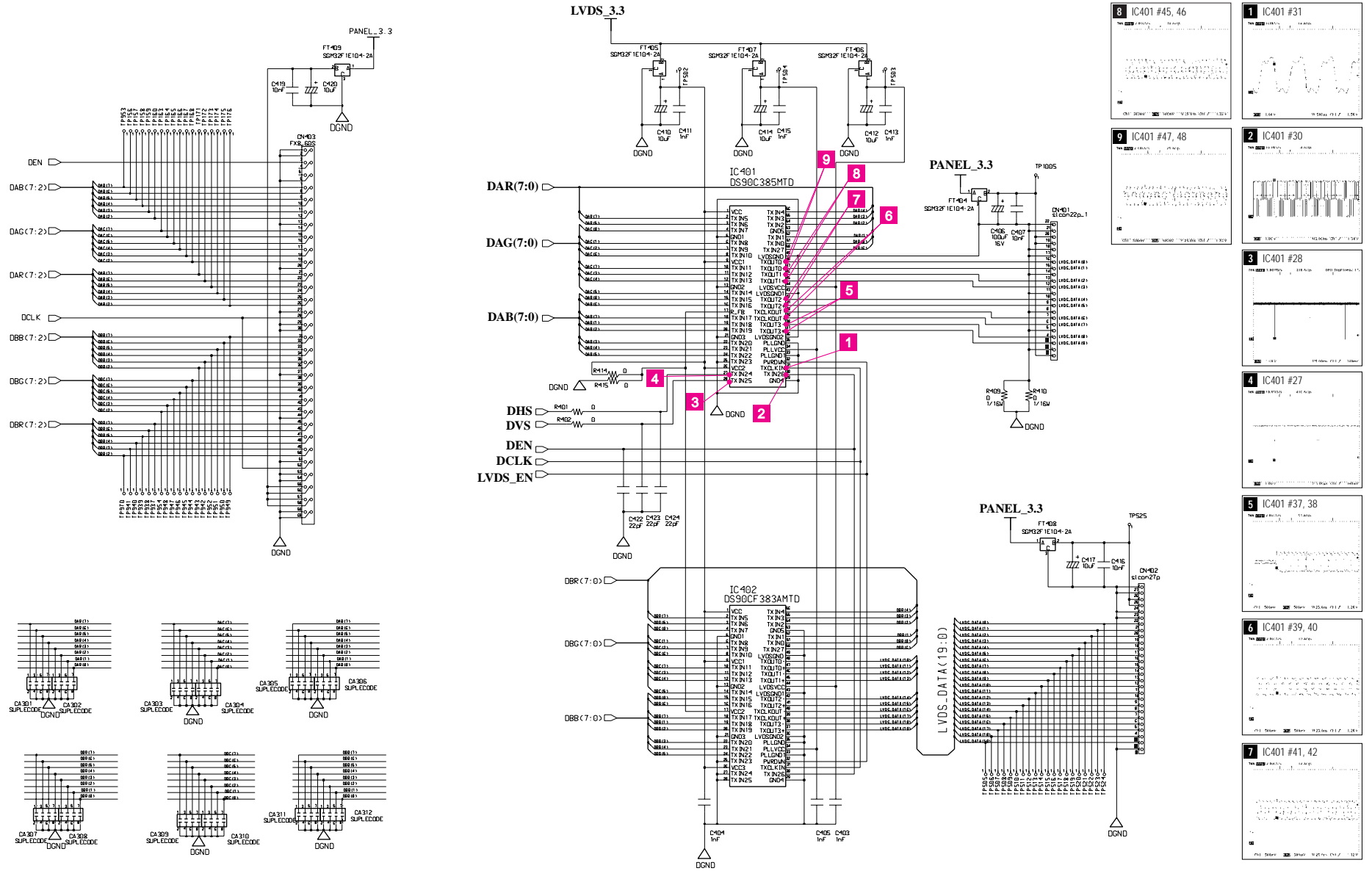
9-1 Scaler Part Schematic Diagram



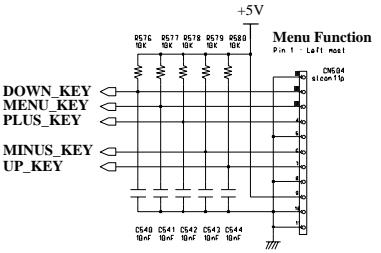
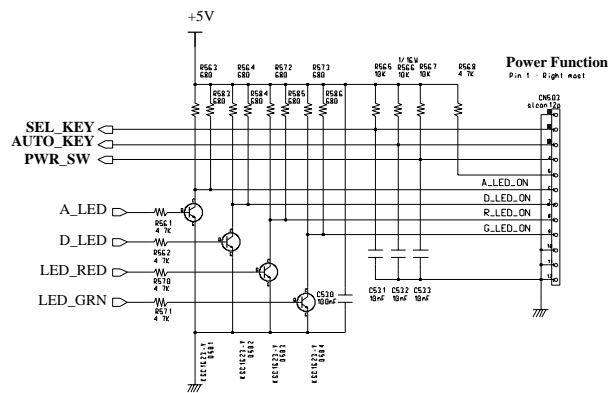
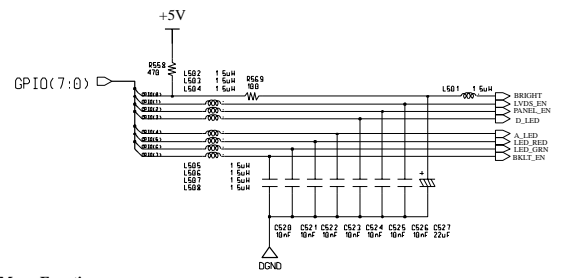
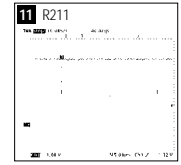
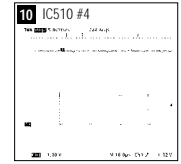
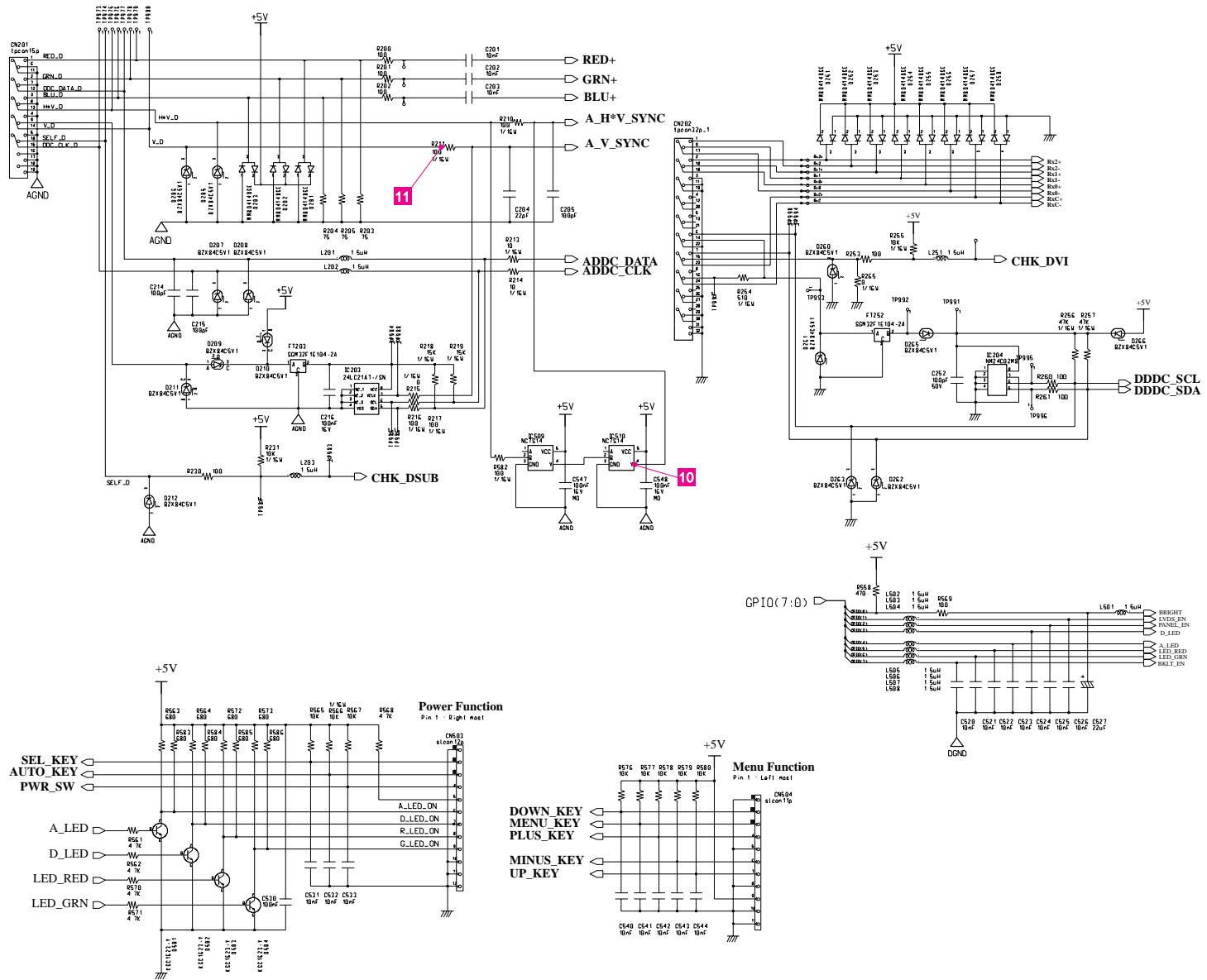
9-2 MCU Part Schematic Diagram



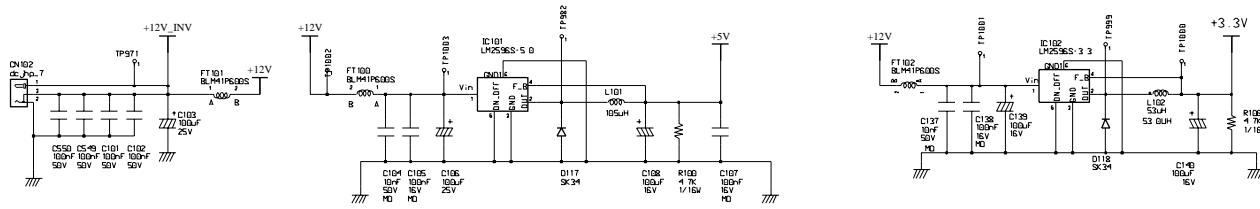
9-3 LCD Output Part Schematic Diagram



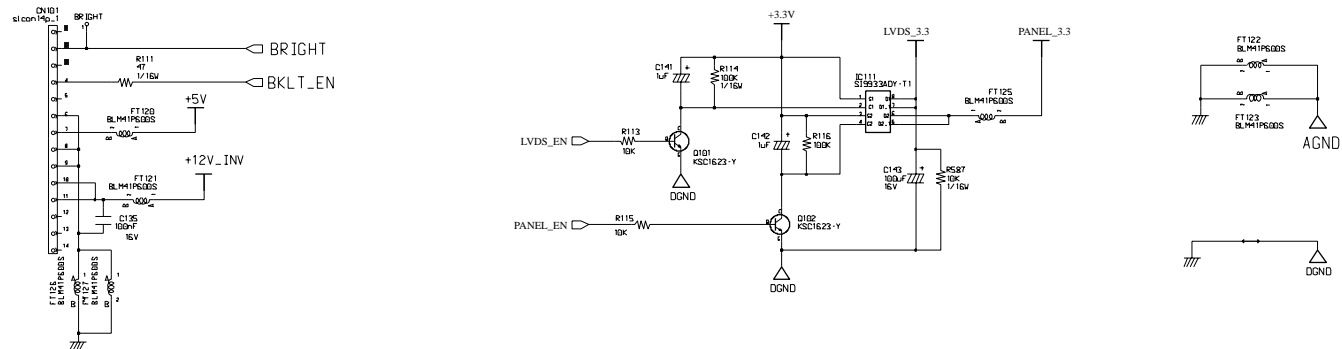
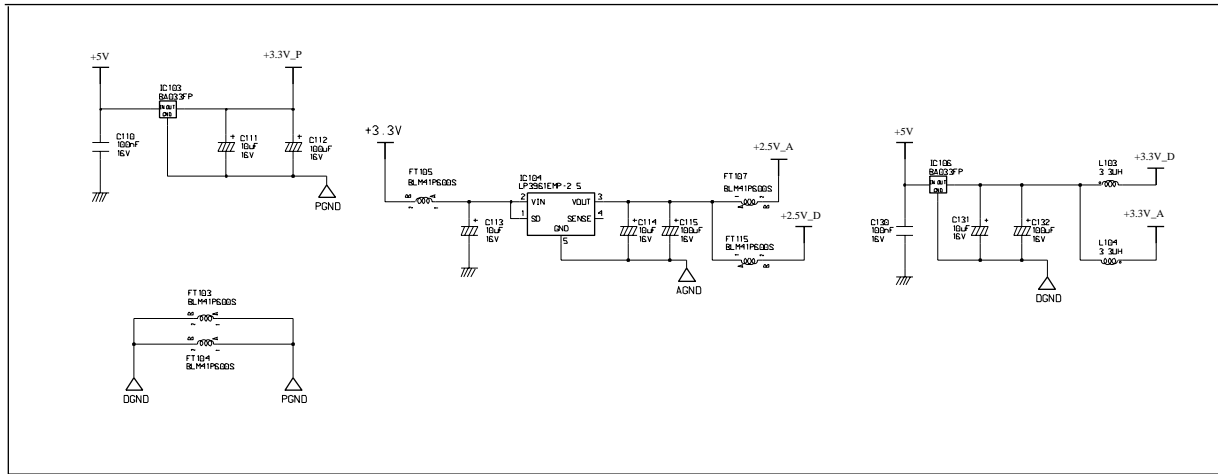
9-4 Video Input Part Schematic Diagram



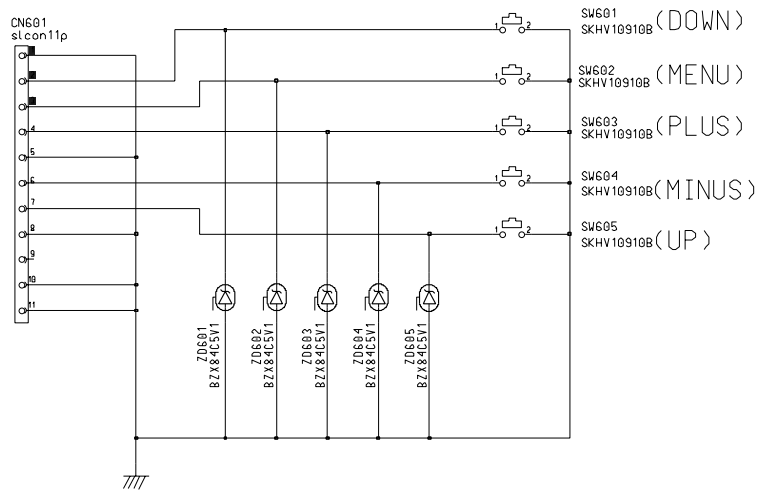
9-5 Power Part Schematic Diagram



CLOSE TO IC301 (GM5020)



9-6 Function Part Schematic Diagram



* Special consideration
 1) OP1, OP2 ; Green_LED

