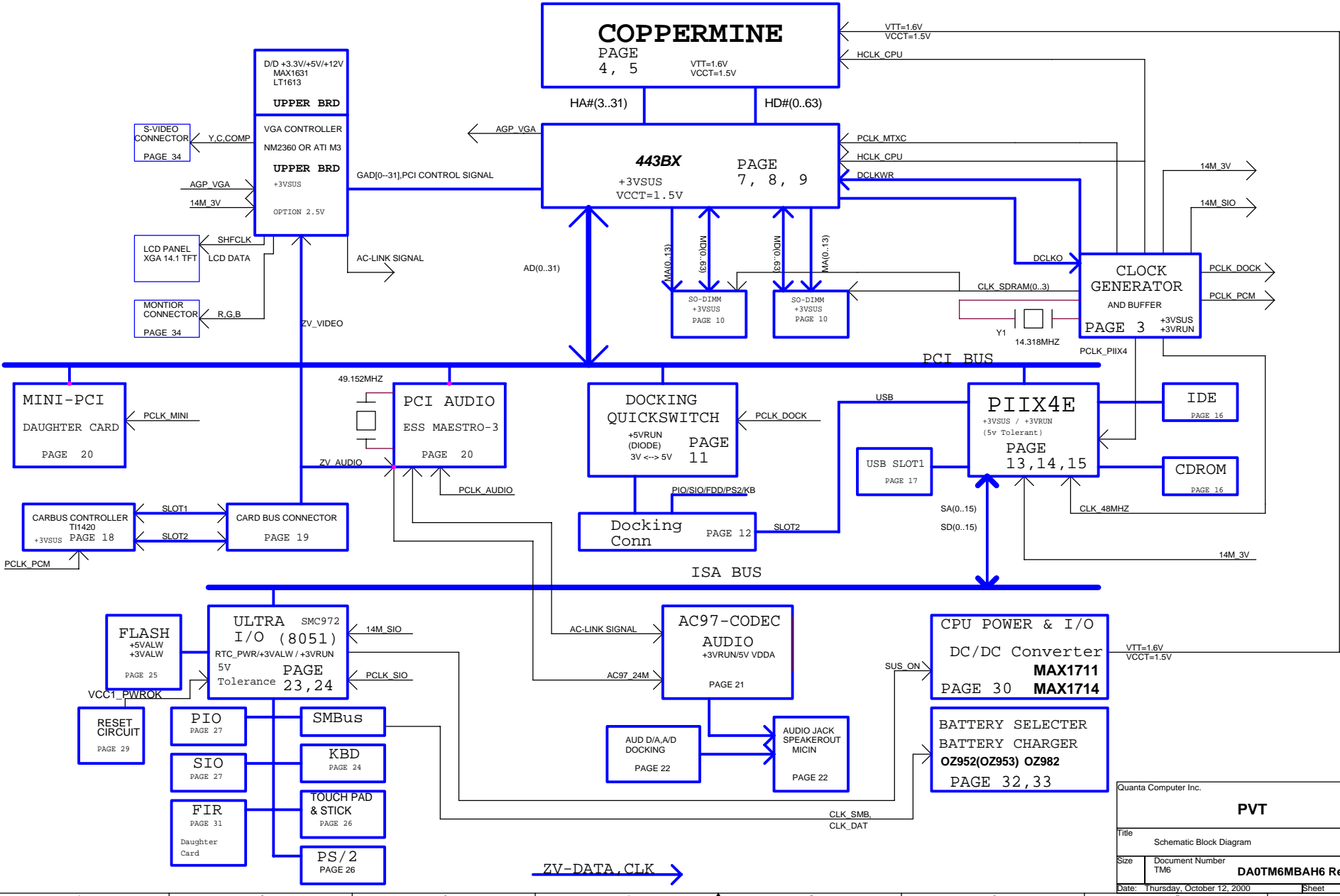


TM6




INDEX

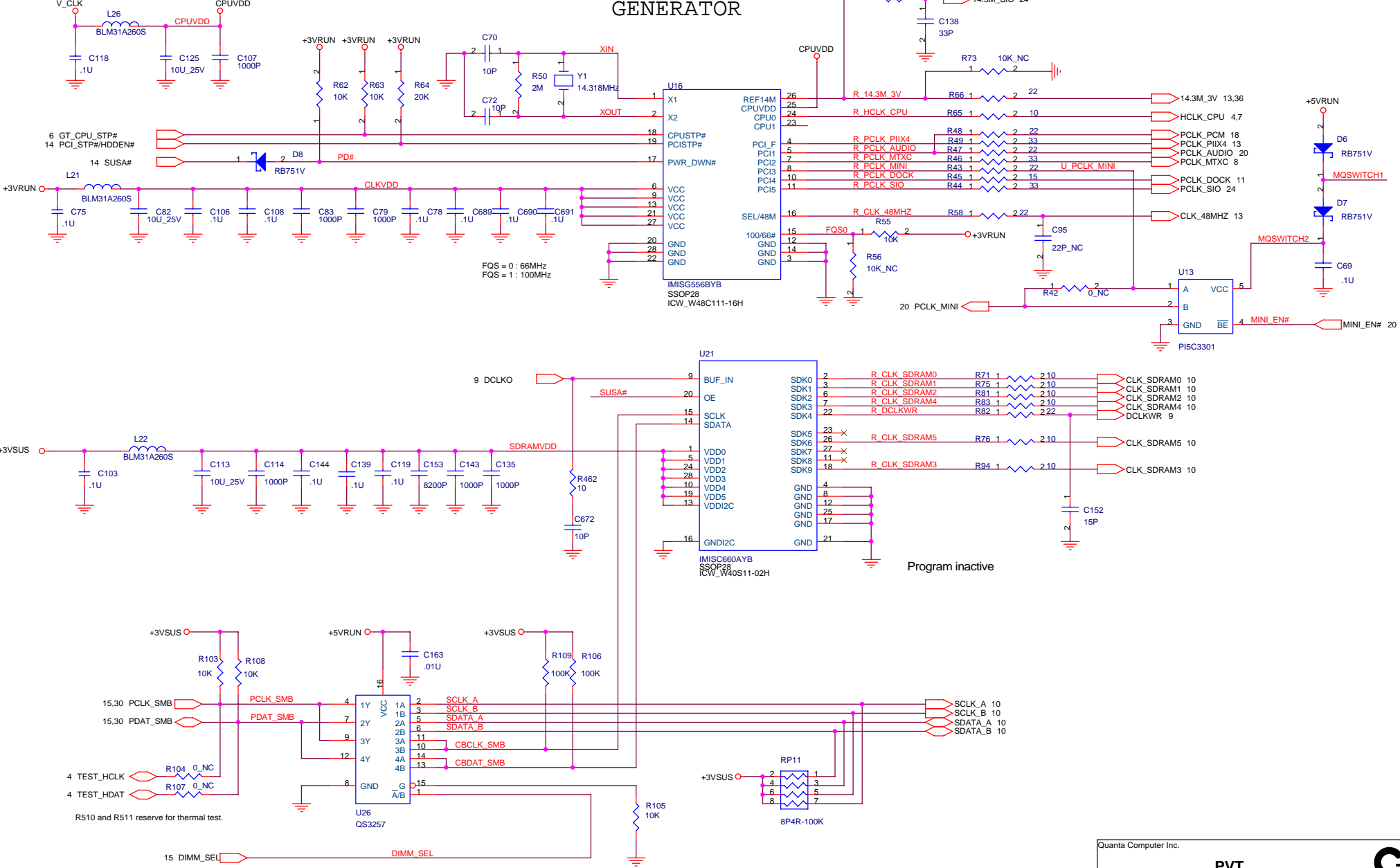
Pg#	Description	DNI LIST
1	Schematic Block Diagram	
2	Index,DNI,power & grounds	
3	Clock Generator	
4-5	Pentium II Processor	
6	PII Bypass & GTL Pullup	
7-9	443BX	
10	System DRAM Expansion (144P-SODIMM X 2)	
11	Docking PCI Buffers	
12	Docking Station Conn.	
13-15	Mobile Triton II - MPIIX4E(PIIX4M	
16	CDROM & IDE Conn. and PIIX4E pullups	
17	USB , MISC AND IDE BUS DAMPING RESISTOR	
18	Cardbus Controller PCI 1225(PCI 1420	
19	Cardbus Connector	
20	Mini-PCI & MAESTRO 3I	
21	AC97 Codec	
22	Audio & COM1 Connector	
23-24	Ultra I/O Controller FDC37N972(TIKI)	
25	Flash & EEPROM	
26	Stick & Touch Pad & PS2	
27	Serial & Parallel	
28	Power Switch	
29	Reset Circuit & LED Drive	
30	CPU Power	
31	RTC Battery,DC-IN FIR	
32	Smart Battery Selector	
33	Smart Charger	
34	S-Video & CRT Connector	
35	SCREW,PAD	
36	VGA & POWER,LED Upboard Connector	

Power & Grounds

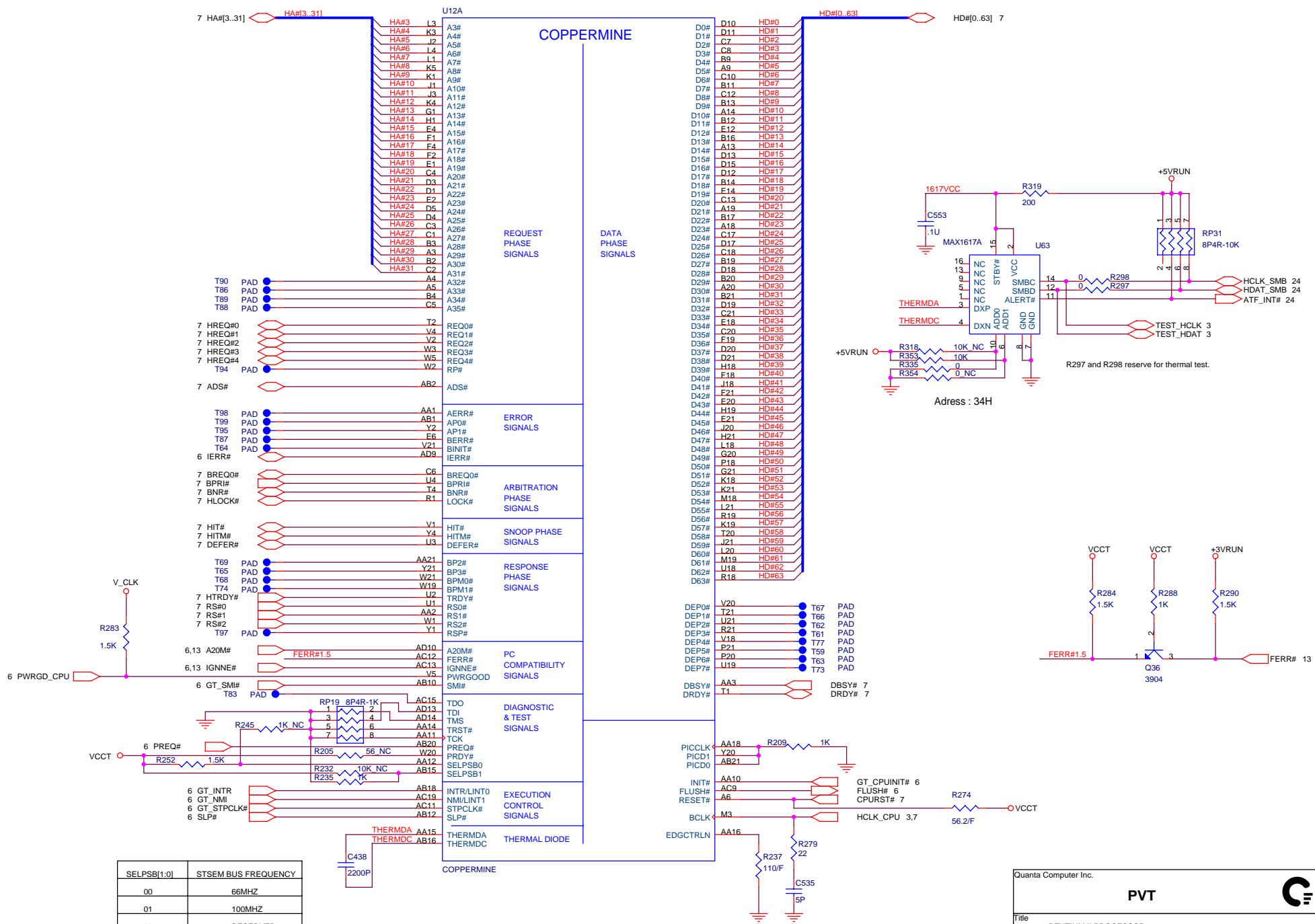
Label	Pg#	Description	Control Signal
DC_IN+	12, 35, 36, 37	AC ADAPTER (20V)	
BATT+	35, 36, 37	BATTERY CHARGE POWER	
ABATT+		MAIN BATTERY POWER	
BBATT+		SECOND BATTERY POWER	
PWR_SRC	12,30,31,32,36	MAIN POWER (10~20V)	
RTC_PWR	23, 32, 36	RTC & PCL POWER (3V)	
+12V	12,19,28,31,34,36	+12V	DRUNPWROK
VTT	5,6,30	1.6V	RUNPWROK
VCCT	4,5,6,7,30	1.5V	RUNPWROK
V_CLK	3,30	HOST I/O PLANE (2.5V)	RUNPWROK
+3VRUN	3,4,5,8,11,13,14,15,16,17,18,20,21,22,23,28,29,30,31,36	SUSB# CONTROLLED POWER	RUN_ON
+3VSUS	3,6,7,9,10,11,13,14,15,18,19,20,24,28,29,36	SUSC# CONTROLLED POWER	SUS_ON
+3VALW	7,16,20,23,24,25,31,36	8051 POWER (3V)	
+5VALW	12,25,29,30,32,33,36	SMBUS & OZ953 POWER	
+5V_BS	31,32	Battery selector Power	PWR_SRC
+5VRUN	3,4,11,15,17,19,20,26,27,28,29,31,34,36	SUSB# CONTROLLED POWER	RUN_ON
+5VSUS	7,12,19,21,27,28,29,30,34	SUSC# CONTROLLED POWER	SUS_ON
+5VHDD	16,28	HDD POWER (5V)	HDDC_EN#
+5VMOD	16,18	MODULE POWER (5V)	MODC_EN#
STRB#/5V	12,27,28	EXTERNAL FDD POWER (5V)	FDD/LPT#
+5VFAN1,+5VFAN2	28	FAN POWER (5V)	FAN1_OFF/ON# FAN2_OFF/ON#
VDDA	21,22	AUDIO ANALOG POWER (5V)	RUN_ON
 GND	ALL PAGES	DIGITAL GROUND	
 AGND	21,22,35	AUDIO GND	
 GNDP	30	CPU POWER GND	
 CGNDP	33	CHARGER GND	
 TGND	24,26	STICK GND	

Quanta Computer Inc.			
PVT			
Title Index,DNI,power & grounds			
Size	Document Number TM6	DA0TM6MBAH6 Rev H	Rev 2G
Date: Saturday, November 25, 2000	Sheet	2	of 36

CLOCK GENERATOR



DIMM_SEL
 0 <-> CKBUF-M (or CKGen) , DRAM0
 1 <-> CKBUF-M (or CKGen) , DRAM1
 STR <-> isolated



SELPSB1[0]	STSEM BUS FREQUENCY
00	66MHZ
01	100MHZ
10	RESERVED
11	133MHZ

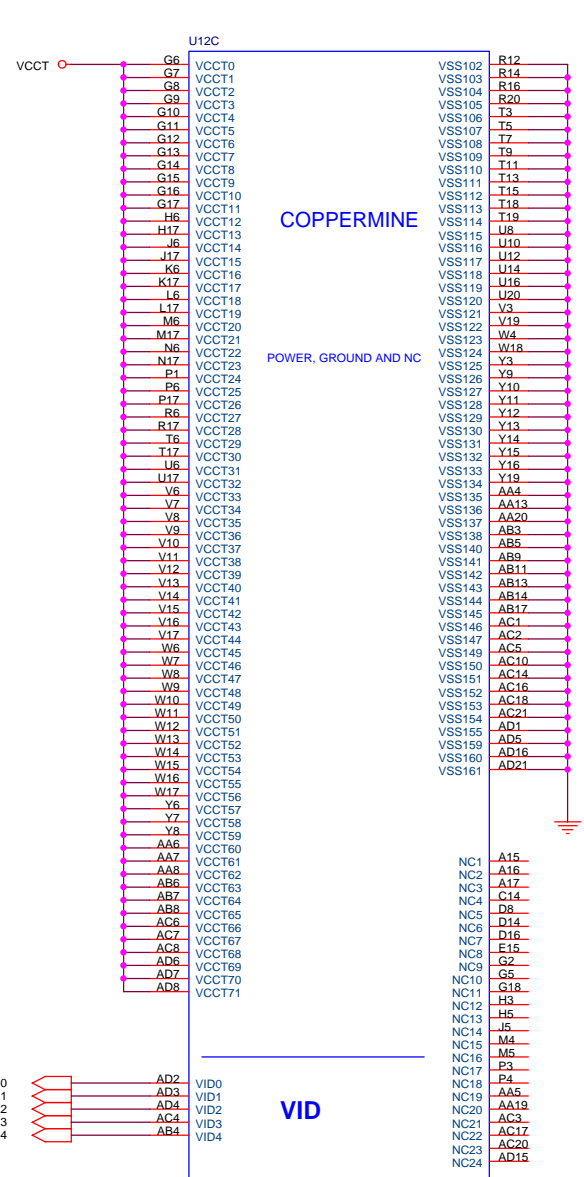
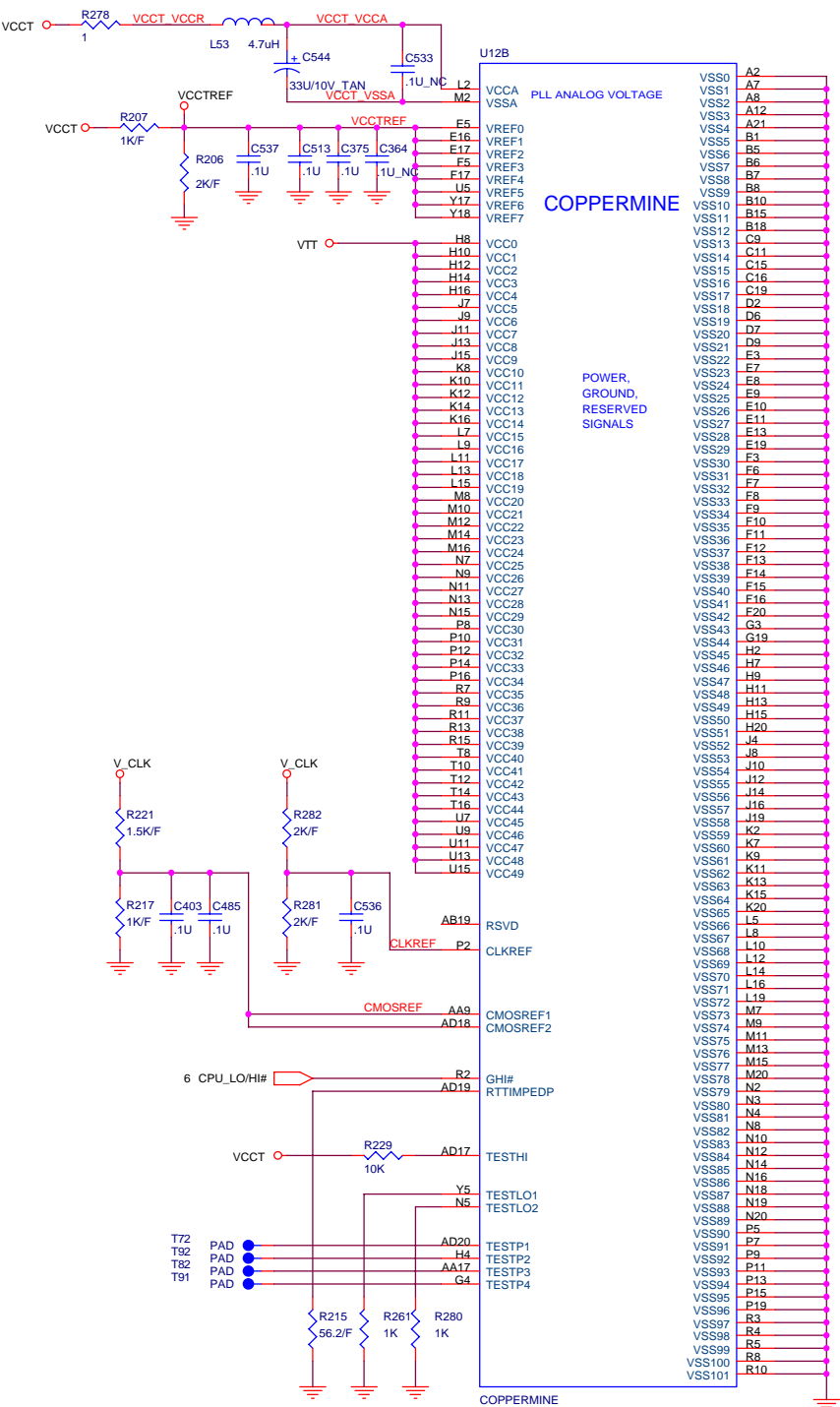
Quanta Computer Inc.

PVT

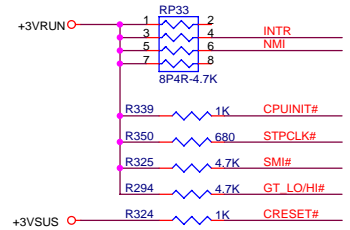
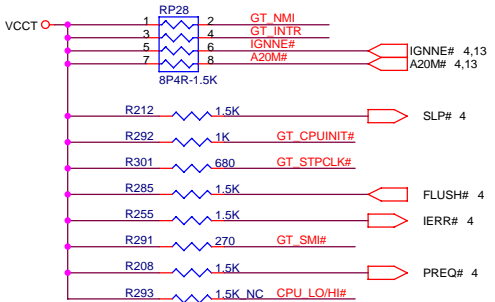
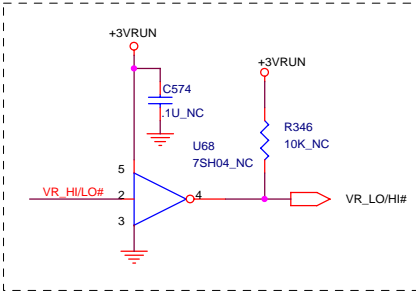
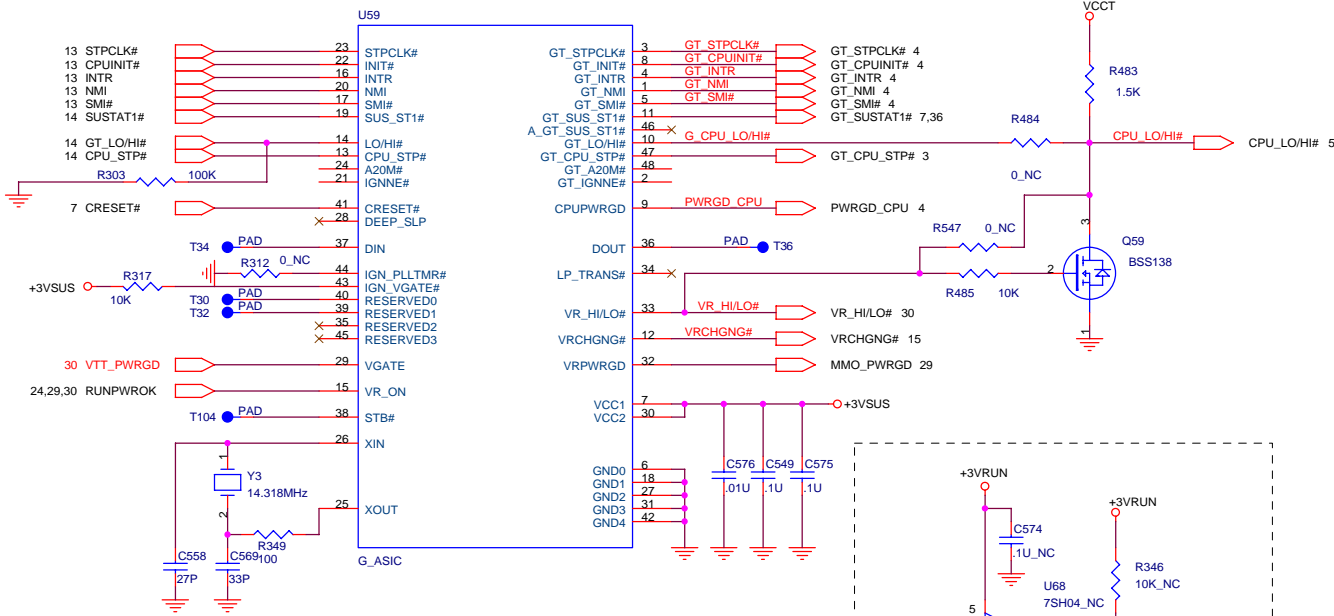
PEUTIUM II PROCESSOR

Size B | Document Number TM6 | **DA0TM6MBAH6 Rev H** | Rev 3E

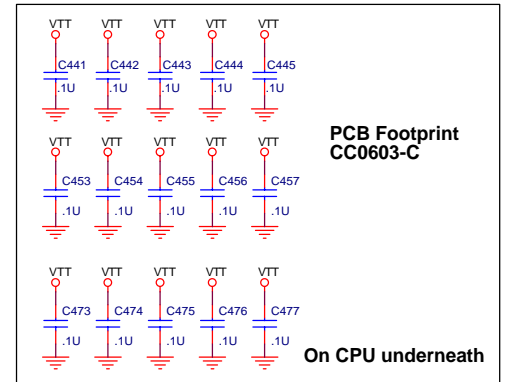
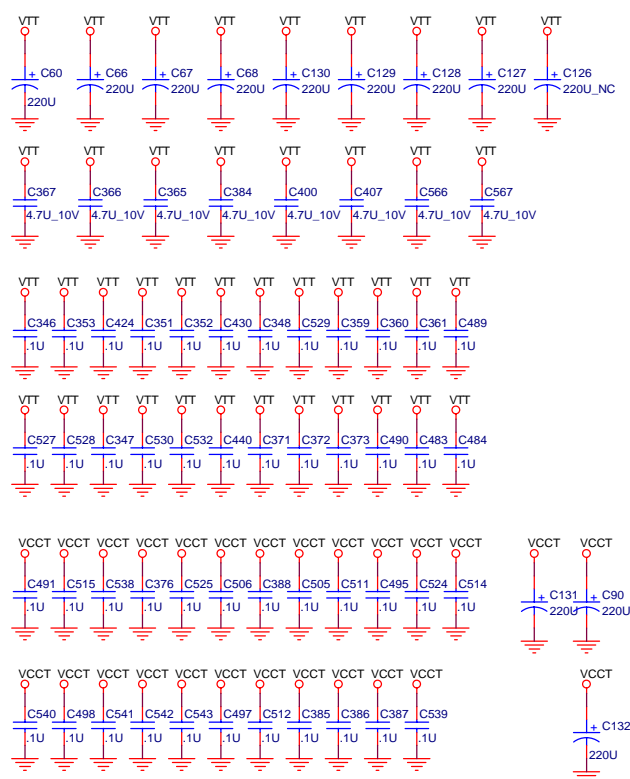
Date: Monday, July 24, 2000 | Sheet 4 of 36



- VSS0 A2
- VSS1 A7
- VSS2 A8
- VSS3 A12
- VSS4 A21
- VSS5 B1
- VSS6 B5
- VSS7 B7
- VSS8 B8
- VSS9 B10
- VSS10 B15
- VSS11 B18
- VSS12 C9
- VSS13 C11
- VSS14 C15
- VSS15 C16
- VSS16 C19
- VSS17 D2
- VSS18 D6
- VSS19 D7
- VSS20 D9
- VSS21 E3
- VSS22 E3
- VSS23 E7
- VSS24 E8
- VSS25 E10
- VSS26 E11
- VSS27 E13
- VSS28 E19
- VSS29 F3
- VSS30 F6
- VSS31 F7
- VSS32 F8
- VSS33 F9
- VSS34 F10
- VSS35 F11
- VSS36 F12
- VSS37 F13
- VSS38 F14
- VSS39 F15
- VSS40 F16
- VSS41 F20
- VSS42 G3
- VSS43 G19
- VSS44 H2
- VSS45 H7
- VSS46 H9
- VSS47 H11
- VSS48 H13
- VSS49 H15
- VSS50 H20
- VSS51 J4
- VSS52 J8
- VSS53 J10
- VSS54 J12
- VSS55 J14
- VSS56 J16
- VSS57 J19
- VSS58 K2
- VSS59 K7
- VSS60 K9
- VSS61 K11
- VSS62 K13
- VSS63 K15
- VSS64 K20
- VSS65 L5
- VSS66 L8
- VSS67 L10
- VSS68 L12
- VSS69 L14
- VSS70 L16
- VSS71 L19
- VSS72 M7
- VSS73 M9
- VSS74 M11
- VSS75 M13
- VSS76 M15
- VSS77 M20
- VSS78 N2
- VSS79 N3
- VSS80 N4
- VSS81 N8
- VSS82 N10
- VSS83 N12
- VSS84 N14
- VSS85 N14
- VSS86 N16
- VSS87 N18
- VSS88 N20
- VSS89 P5
- VSS90 P7
- VSS91 P9
- VSS92 P11
- VSS93 P13
- VSS94 P15
- VSS95 P19
- VSS96 R3
- VSS97 R4
- VSS98 R5
- VSS99 R8
- VSS100 R10
- VSS101 R10

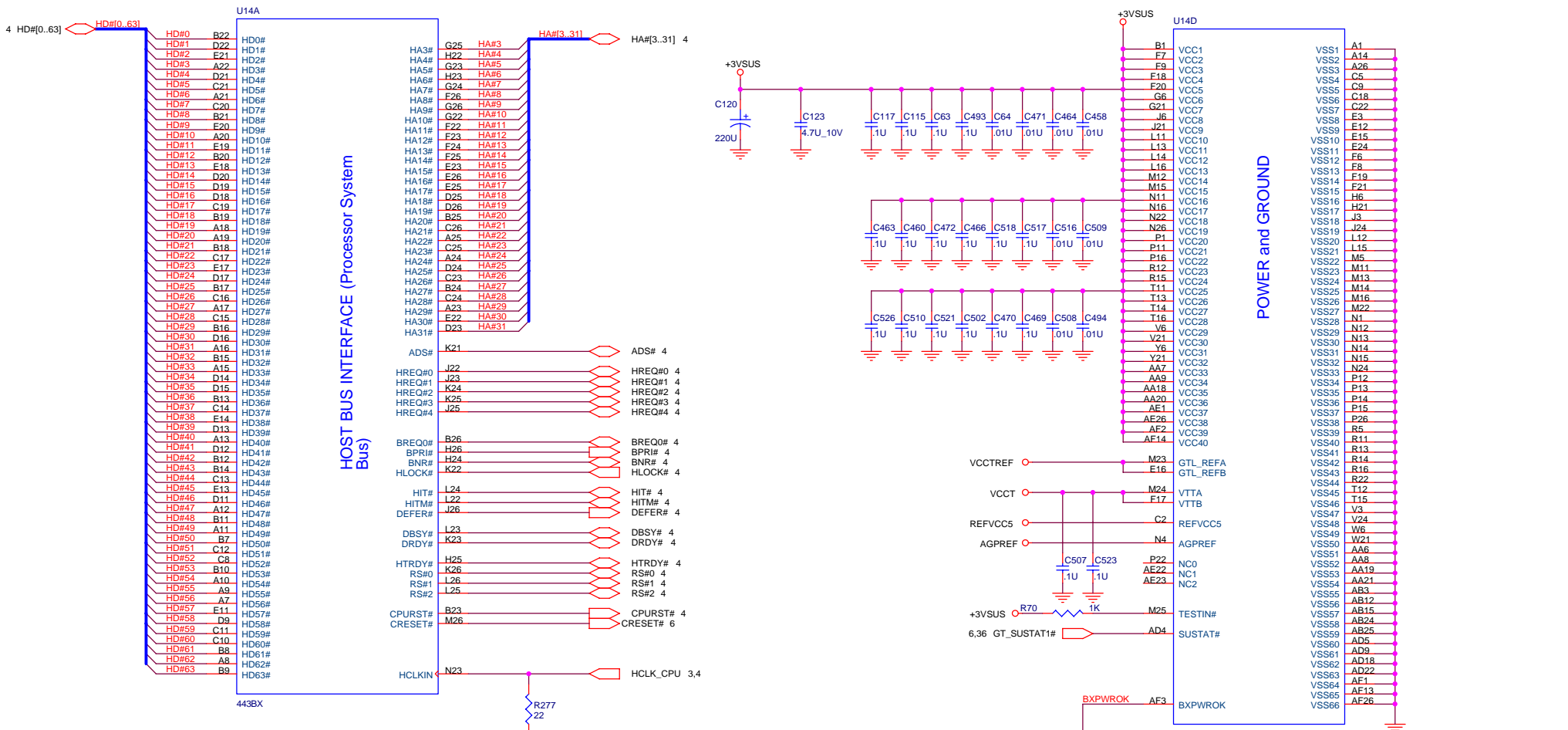


NEED TO CHECK VCC PLANE



Quanta Computer Inc.		
PVT		
Title: ASIC& BYPASS		
Size:	Document Number: DA07M6MBAH6 Rev H	Rev: 3A
Date:	Friday, July 07, 2000	Sheet: 6 of 36

STUFF for Non-Geyserville Implementation




HOST BUS INTERFACE (Processor System Bus)

POWER and GROUND

BXPWROK must be after +3VSUS at least 1 ms

Quanta Computer Inc.

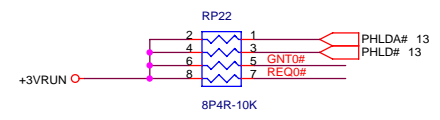
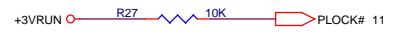
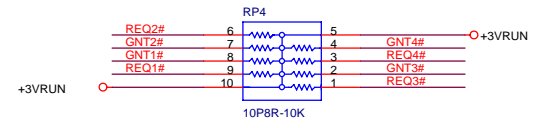
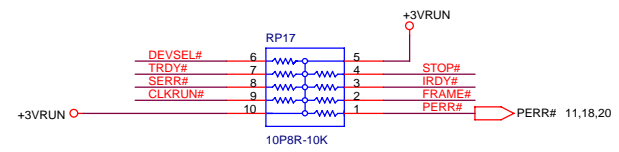
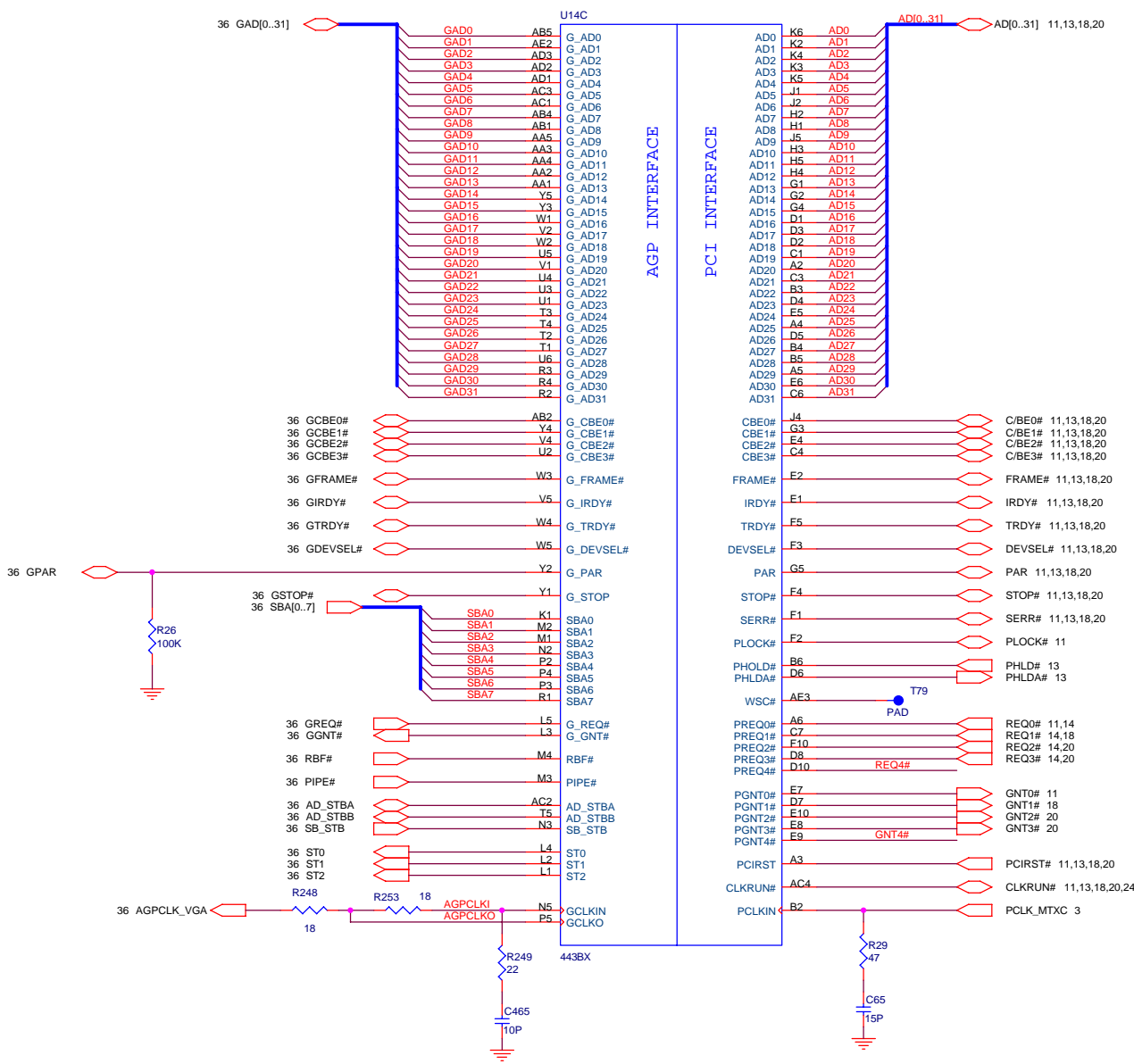
PVT

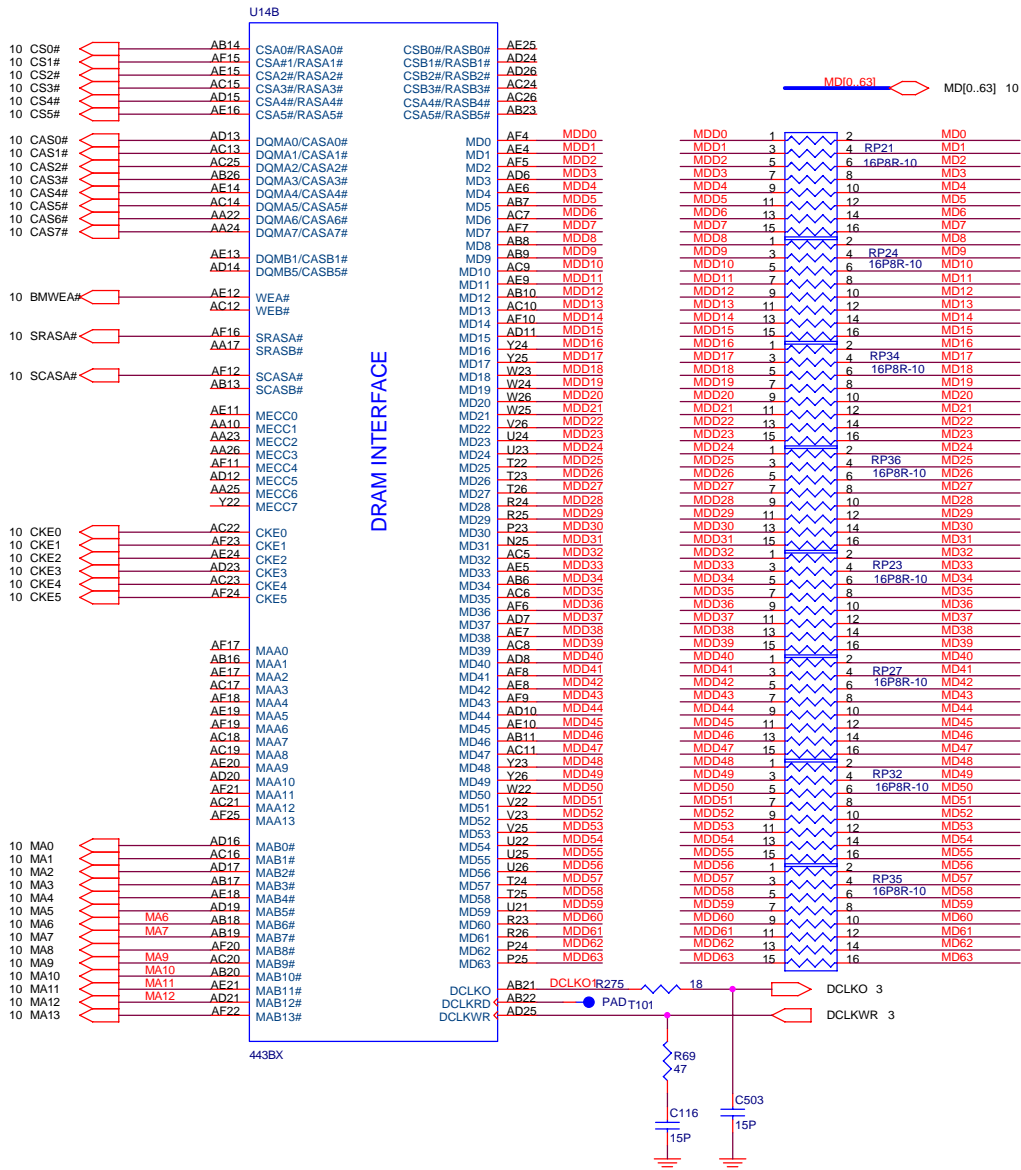


Title: 443BX (HOST & POWER)

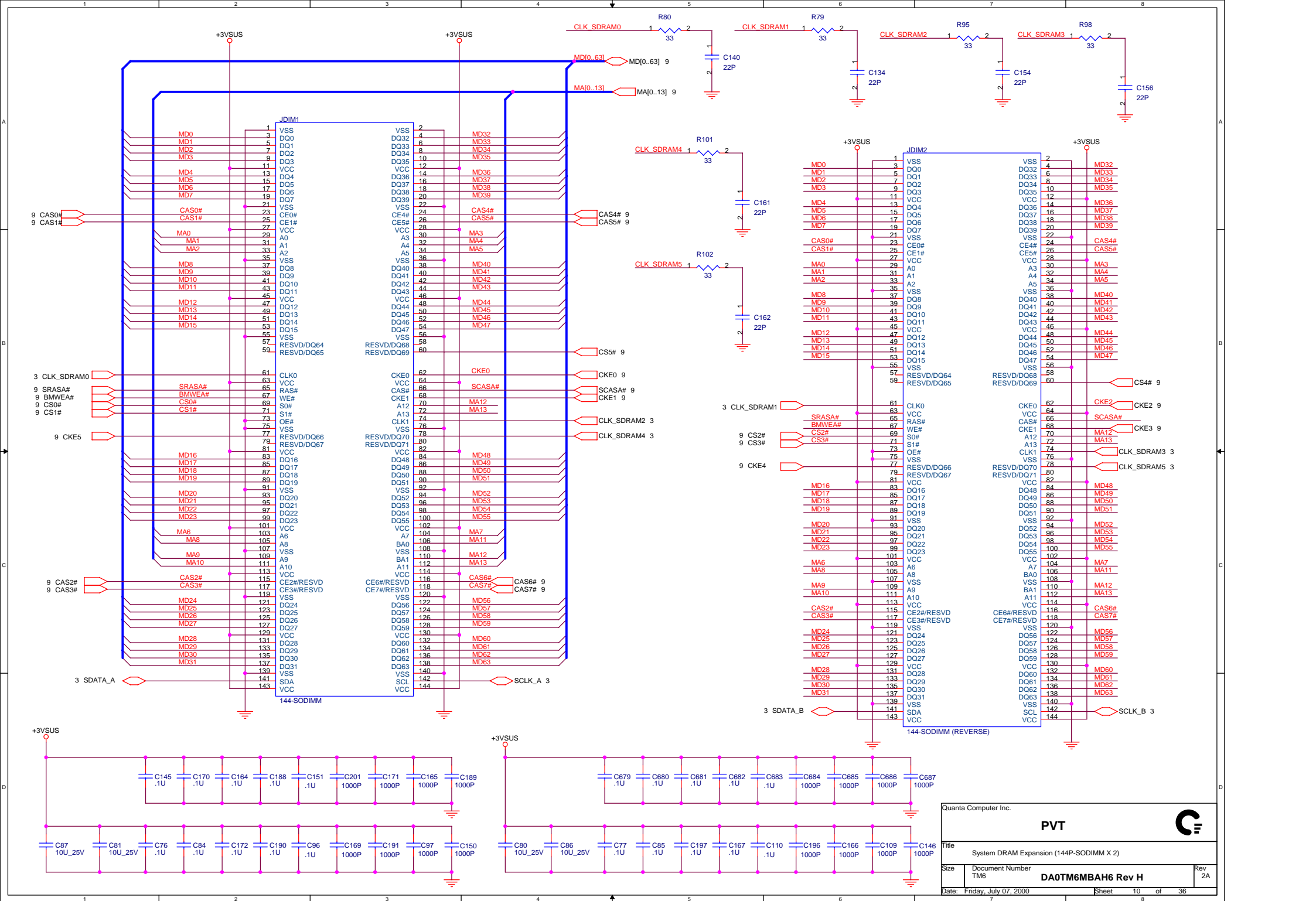
Size	Document Number	Rev
	DA0TM6MBAH6 Rev H	2D

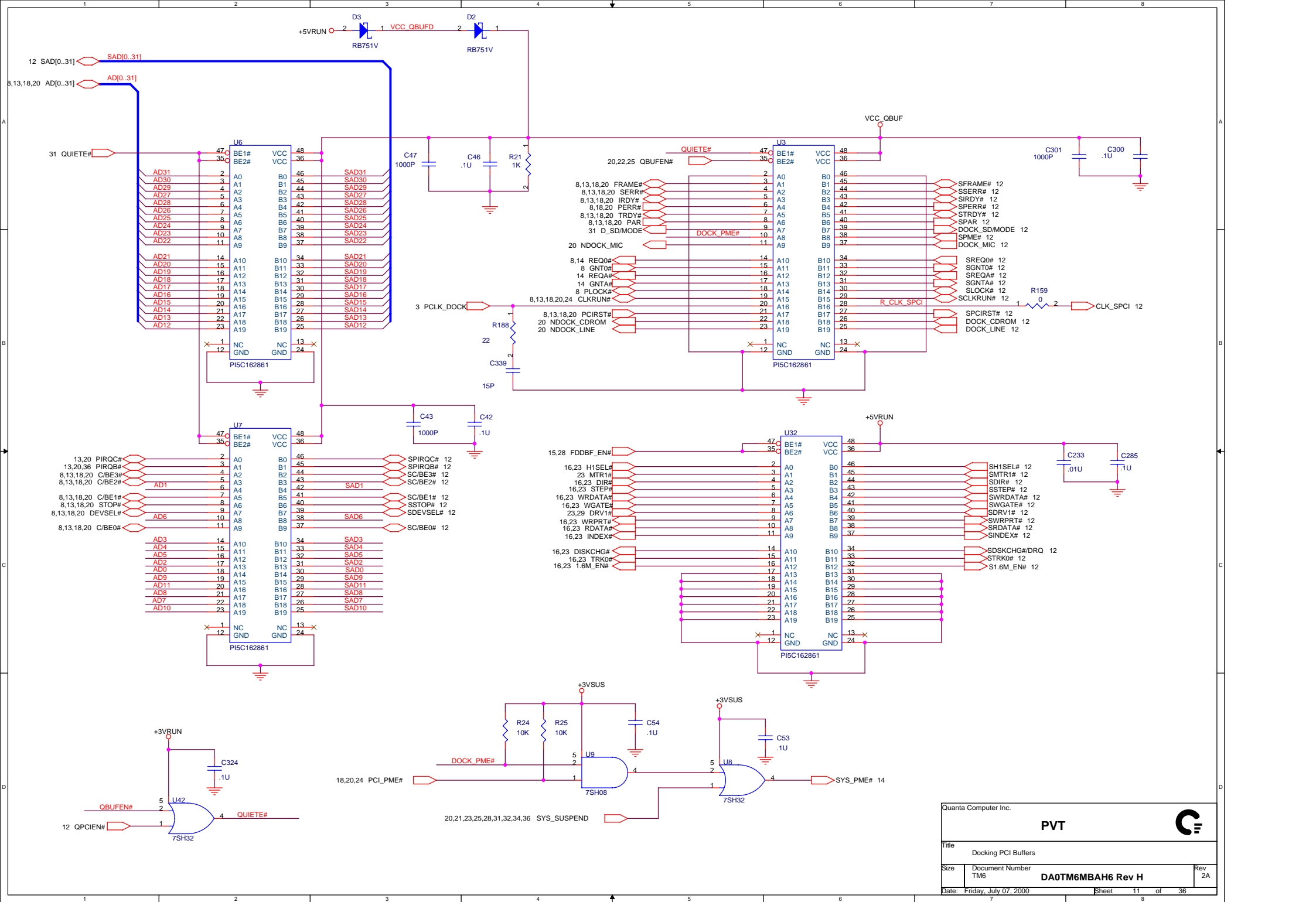
Date: Friday, July 07, 2000 Sheet 7 of 36





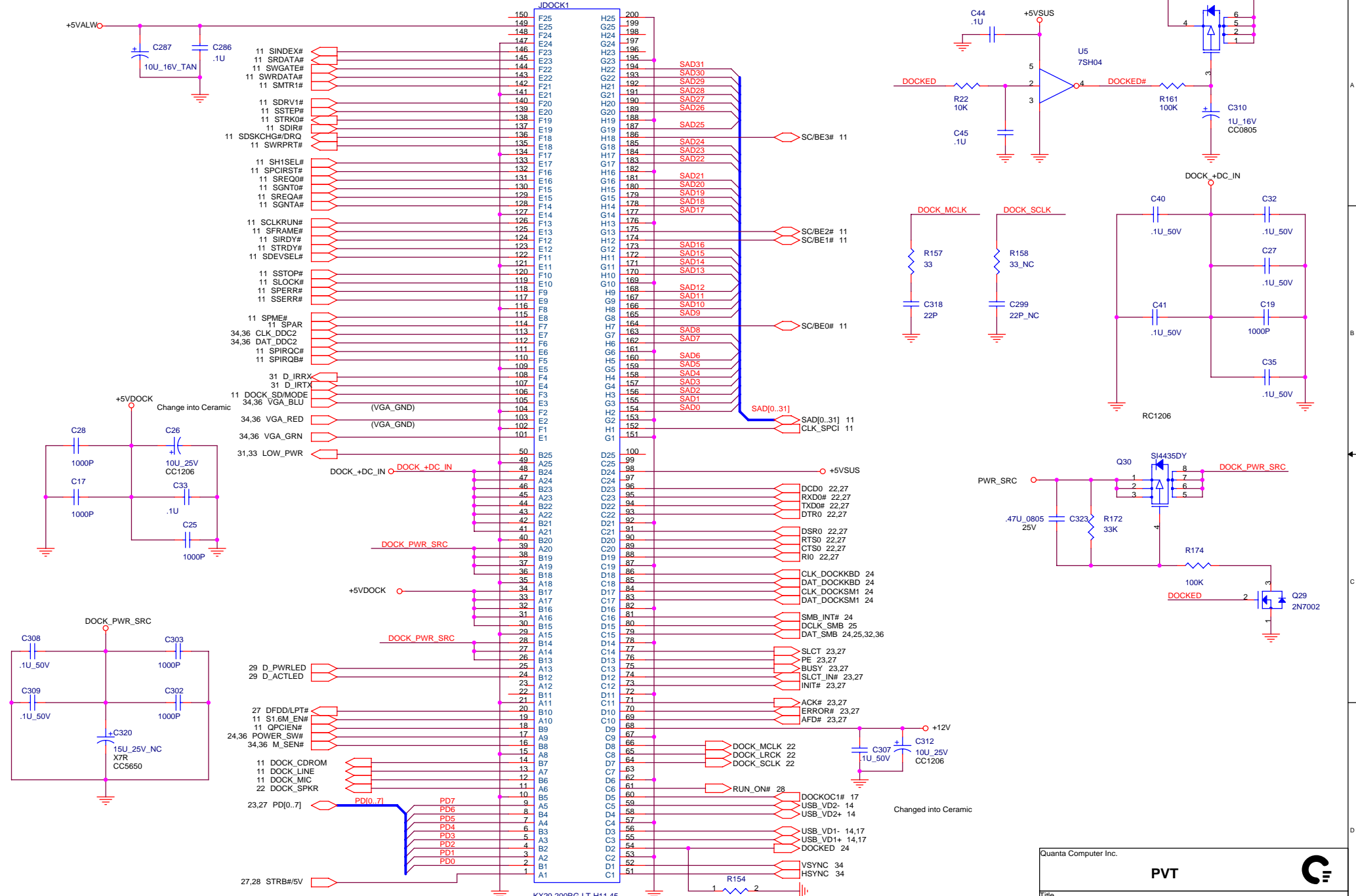
Pin Name	Function	Low	High	Internal Resistor	Status Register
MAB12#	Host Frequency Select	66MHz	100MHz	Pull-down	NBXCFG[13]
MAB11#	In-Order Queue Depth Enable	1 (no pipelining)	4 (max)	Pull-up	NBXCFG[2]
MAB10#	Quick Start Select	Stop Clock Mode	Quick Start Mode	Pull-down	PMCR[3]
MAB9#	AGP Disable	AGP Enabled	AGP Disabled	Pull-down	PMCR[1]
MAB7#	MM Configuration	Normal operation	Tri-states certain memory signals	Pull-down	DRAMC[5]
MAB6#	Host Bus Buffer Mode Select	Desktop GTL+	Mobile Low Power GTL+	Pull-down	none






Long Pins : 102,149,151,152,199,200

CLOSE TO AUDIO AREA



Quanta Computer Inc.

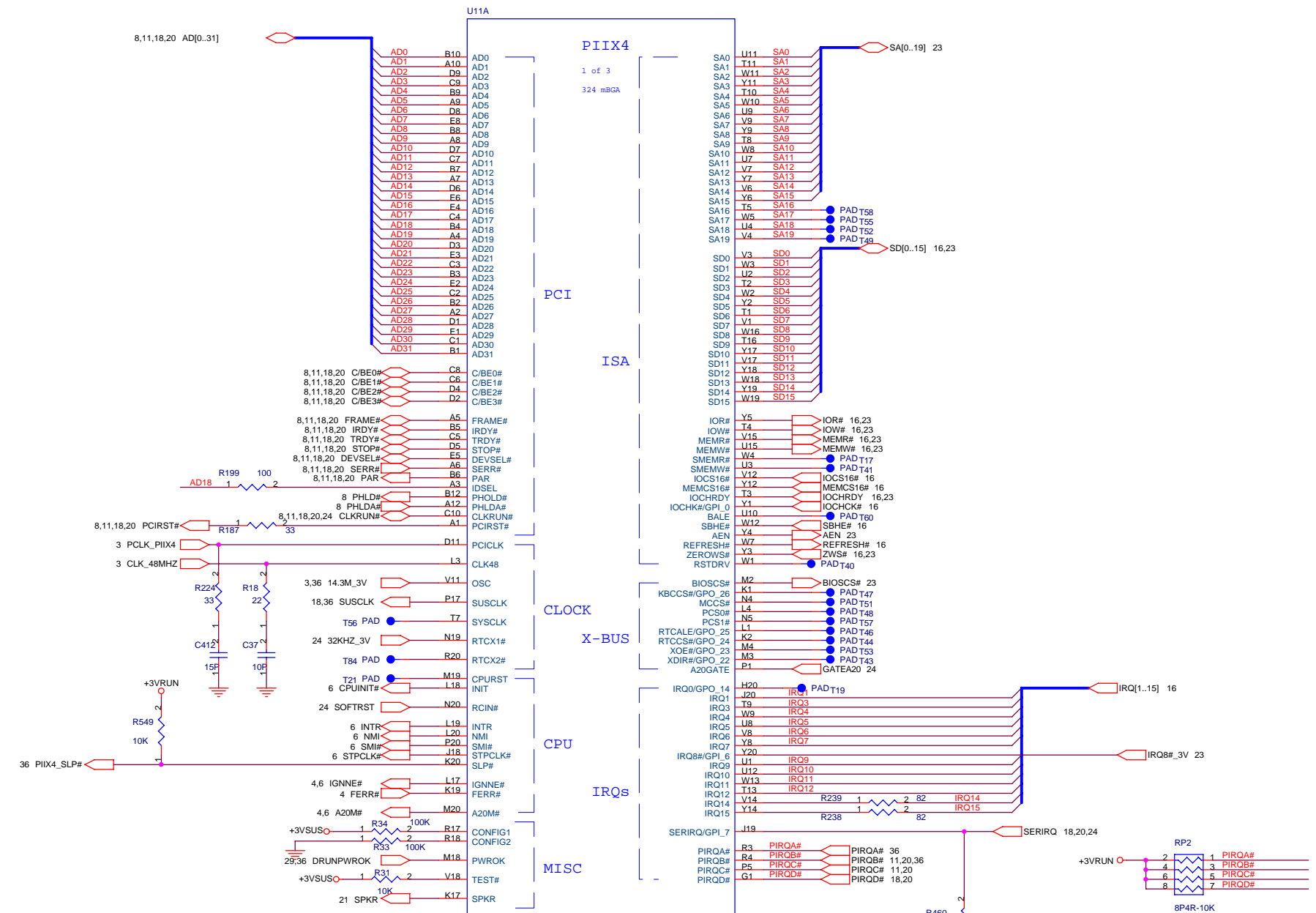
PVT



Title: Docking Station Conn.

Size	Document Number TM6	Rev 2D
------	------------------------	-----------

Date: Friday, July 07, 2000 Sheet 12 of 36



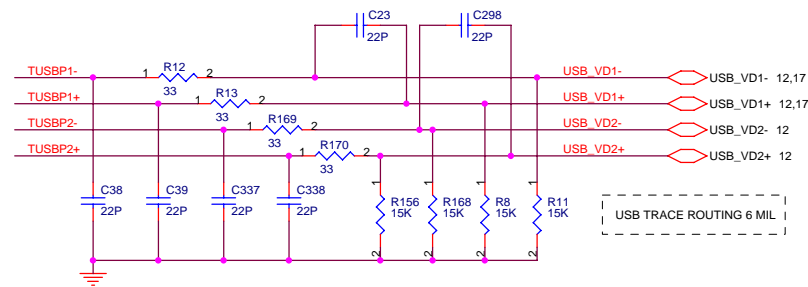
Quanta Computer Inc.

PVT

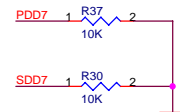
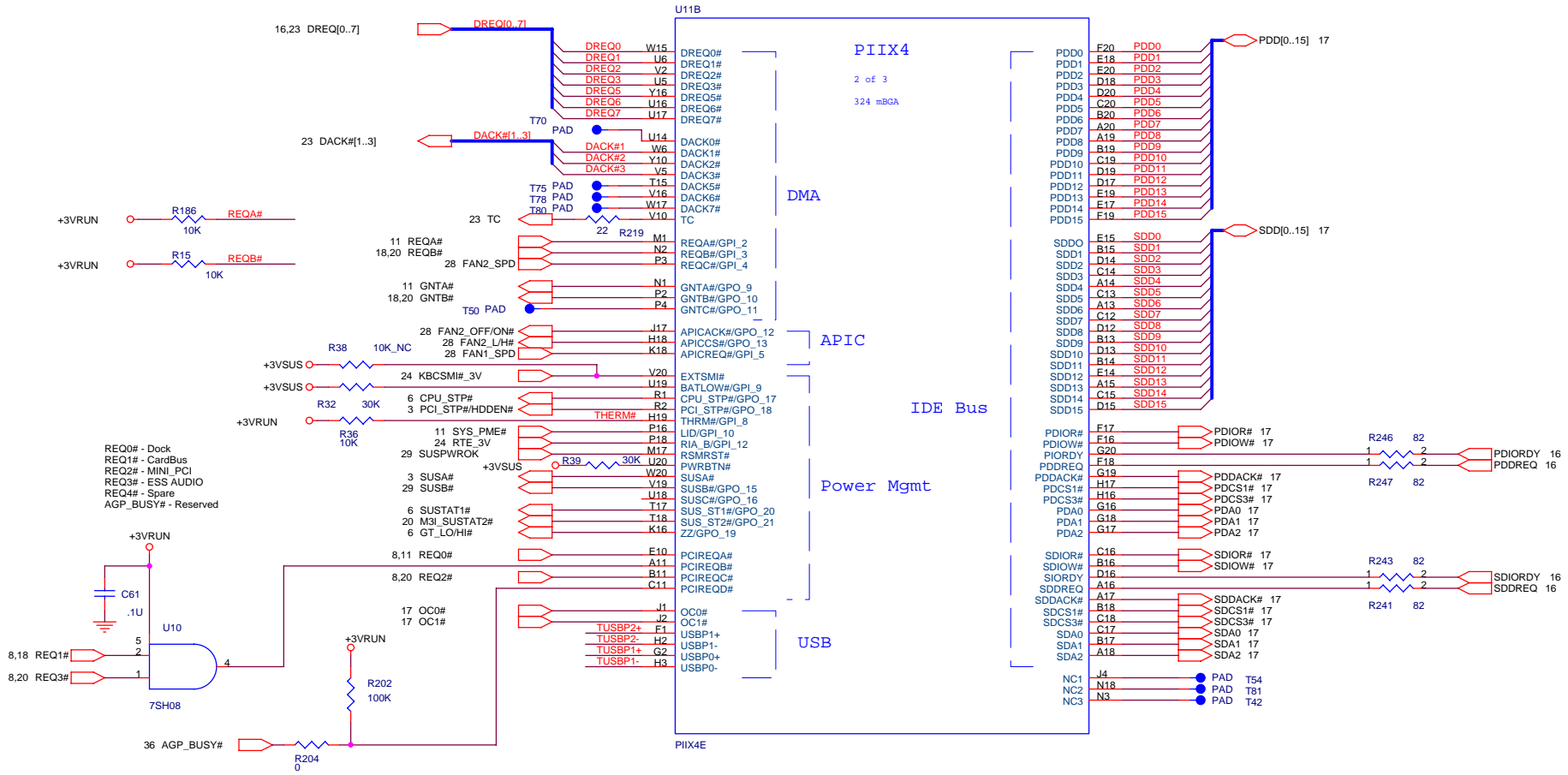
Title: Mobile Triton II - MPIIX4E

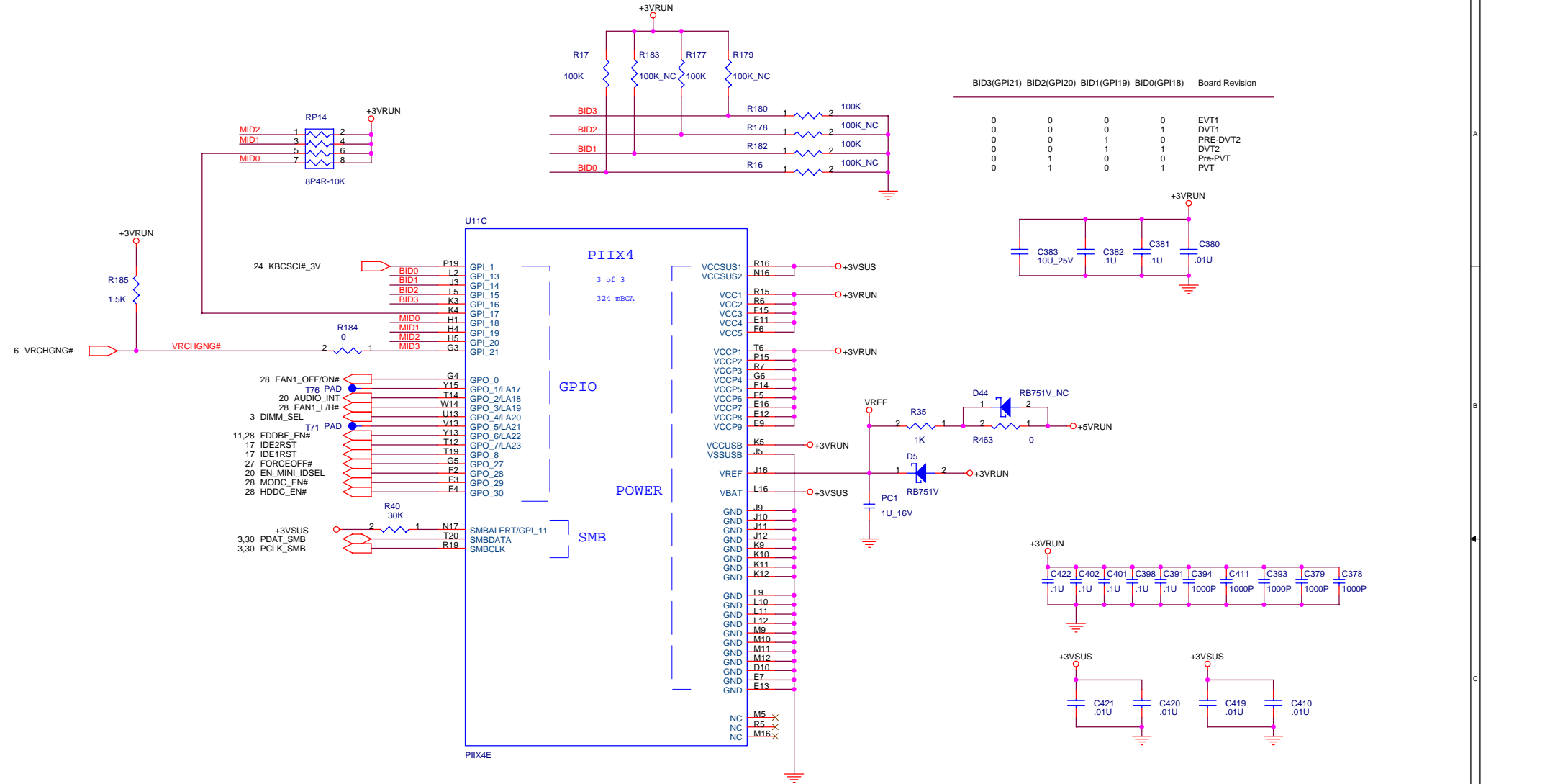
Size	Document Number	Rev
	TM6	2D

Date: Friday, July 07, 2000 Sheet 13 of 36

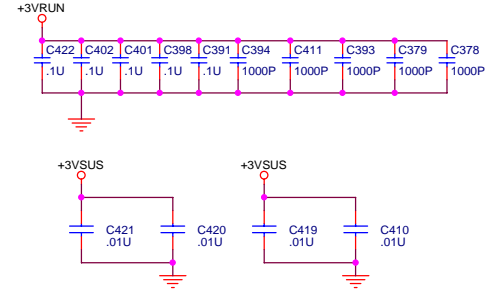
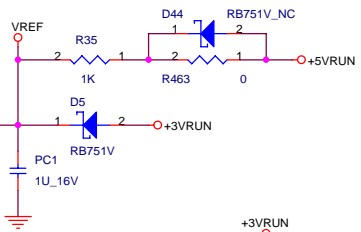
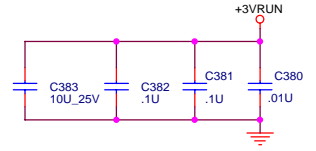


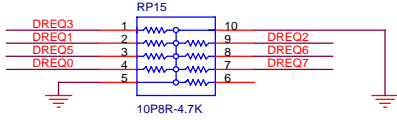
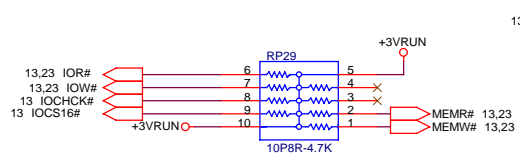
USB Host Termination should be close to PIIX4



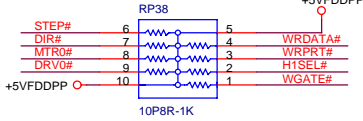
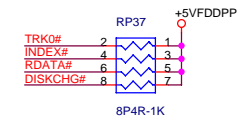


BID3(GPI21)	BID2(GPI20)	BID1(GPI19)	BID0(GPI18)	Board Revision
0	0	0	0	EVT1
0	0	0	1	DVT1
0	0	1	0	PRE-DVT2
0	0	1	1	DVT2
0	1	0	0	Pre-PVT
0	1	0	1	PVT

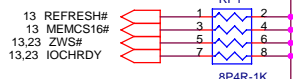
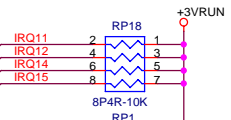
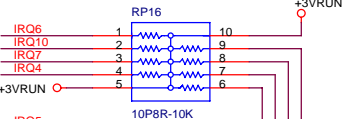
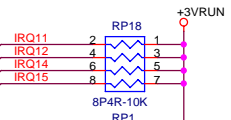
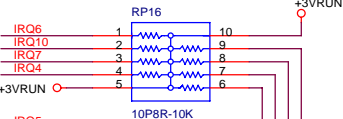




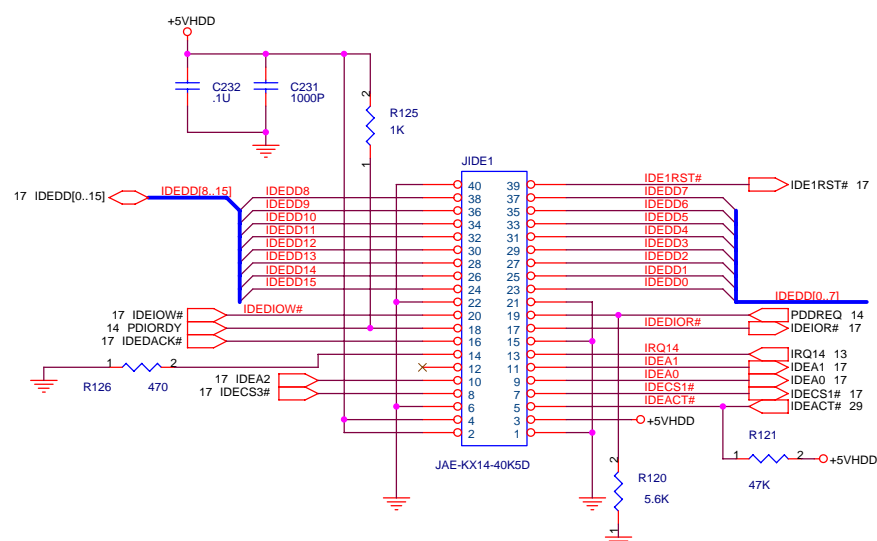
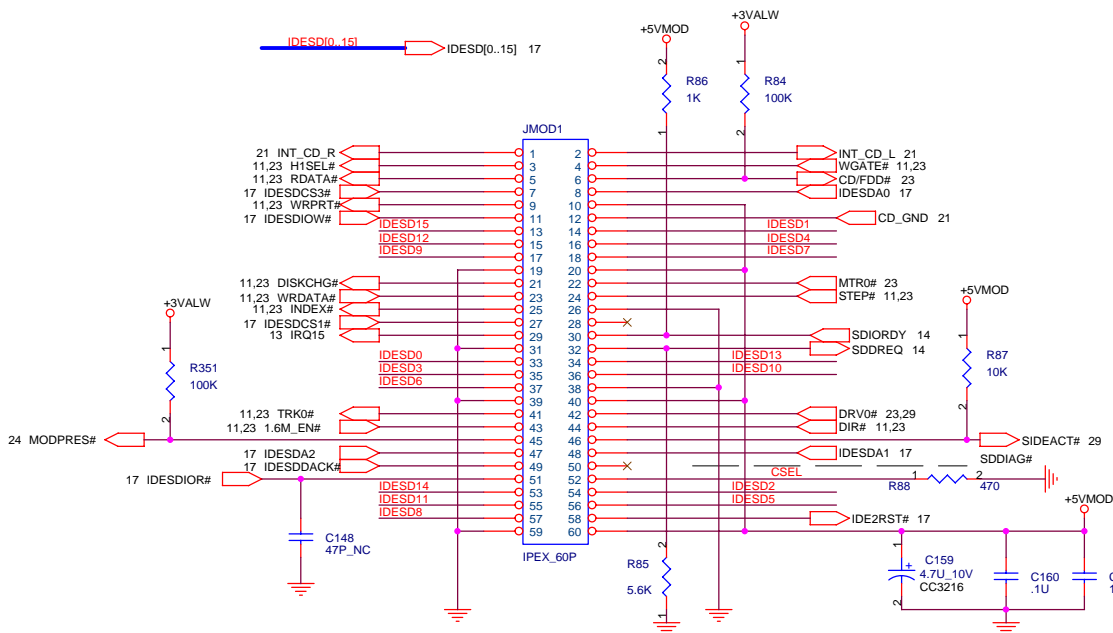
14,23 DREQ[0..7] ← DREQ[0..7]

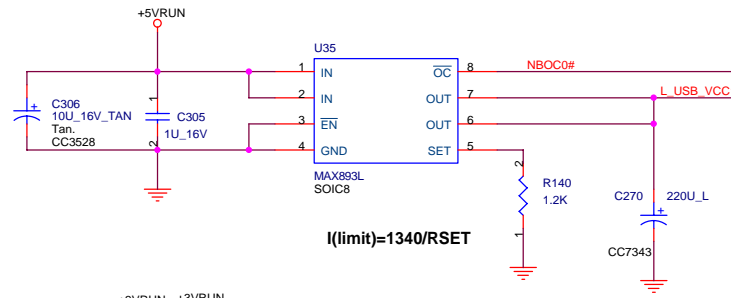


13 IRQ[0..15] ← IRQ[0..15]

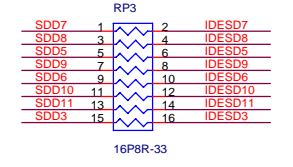
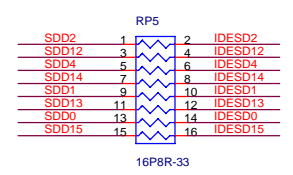
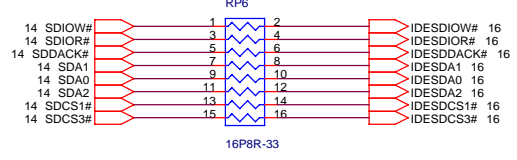
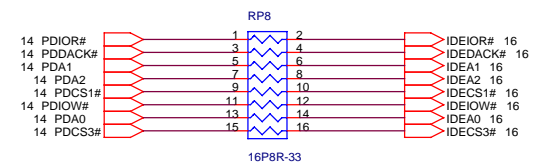
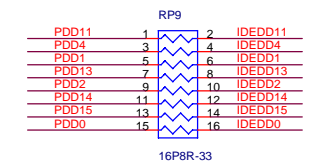
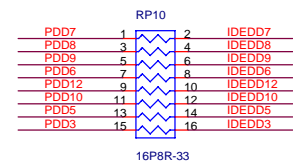
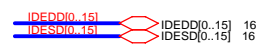
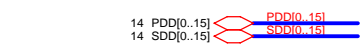
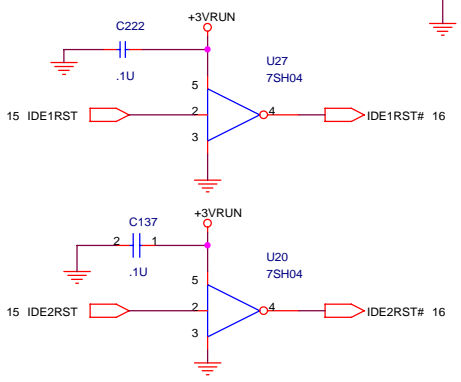
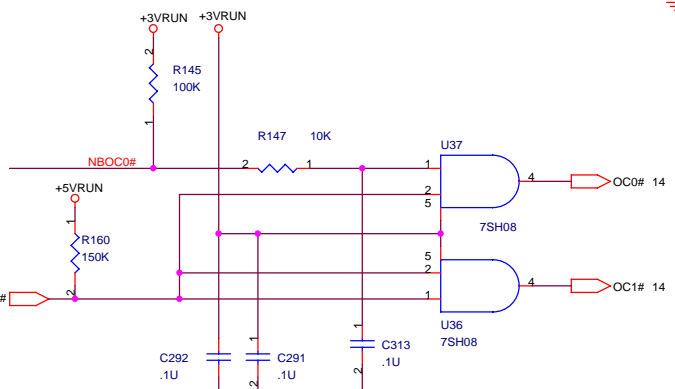
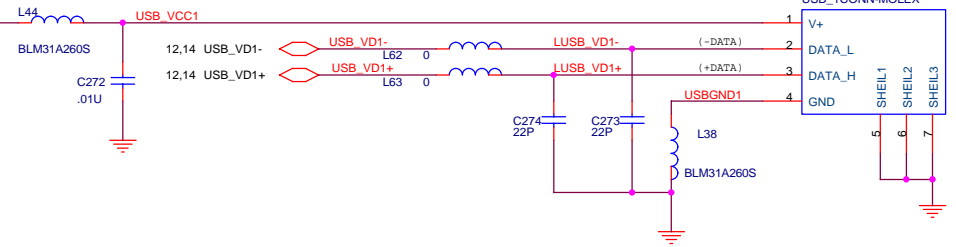


← IDESD[0..15] → IDESD[0..15] 17





I(limit)=1340/RSET



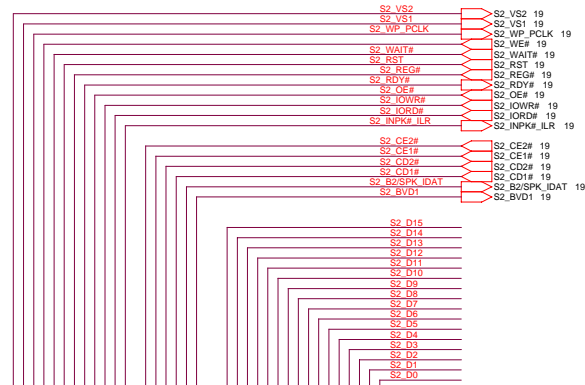
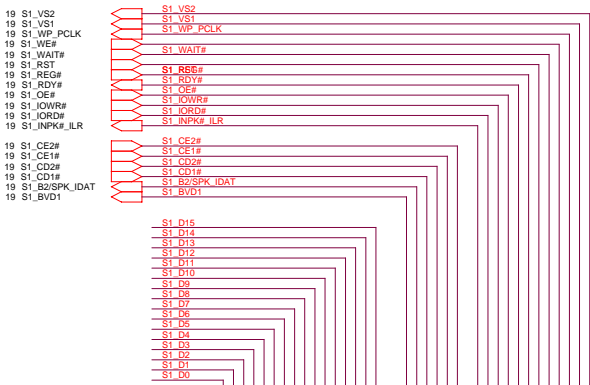
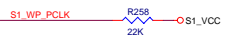
Quanta Computer Inc.

PVT

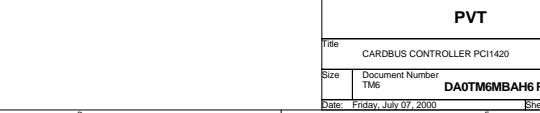
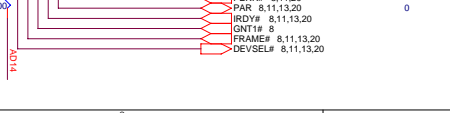
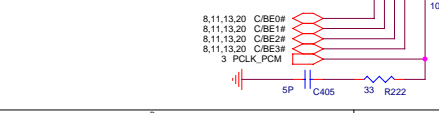
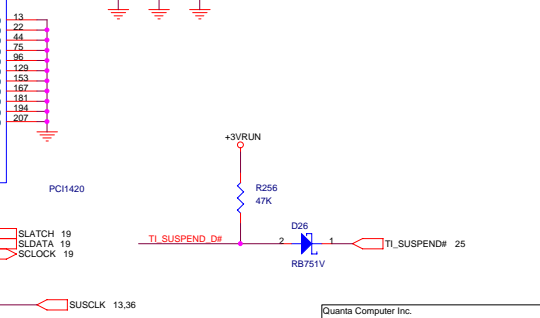
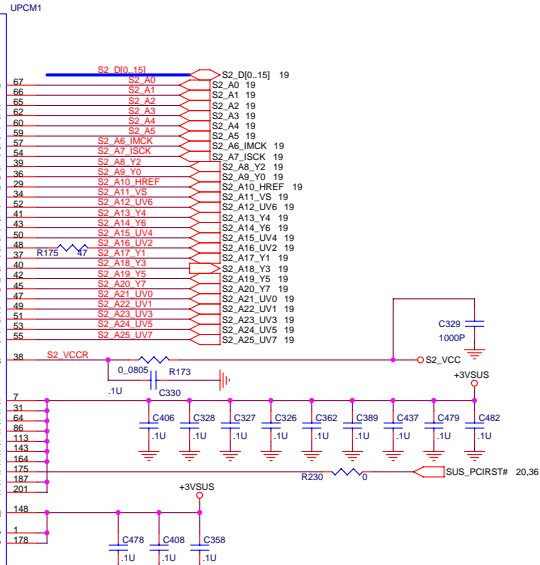
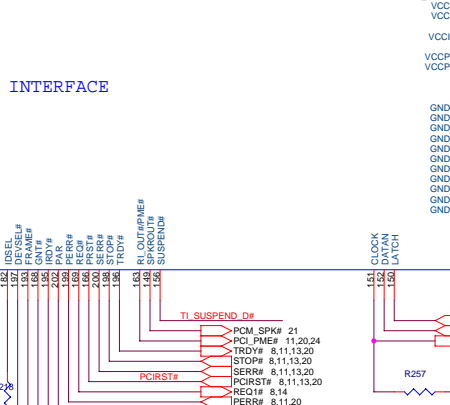
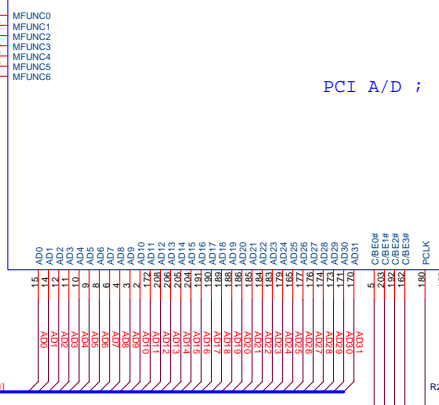
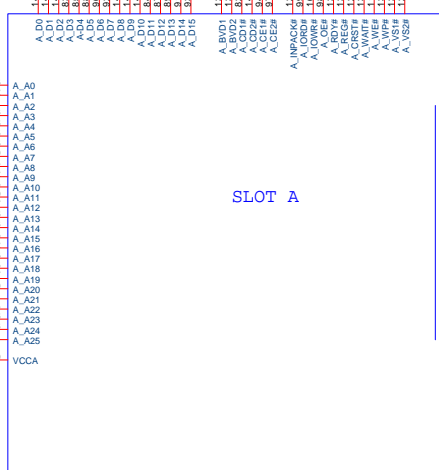
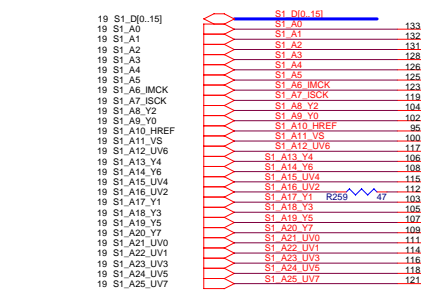
Title: USB , MISC AND IDE BUS DAMPING RESISTOR

Size: Document Number TM6 **DA0TM6MBAH6 Rev H** Rev 2D

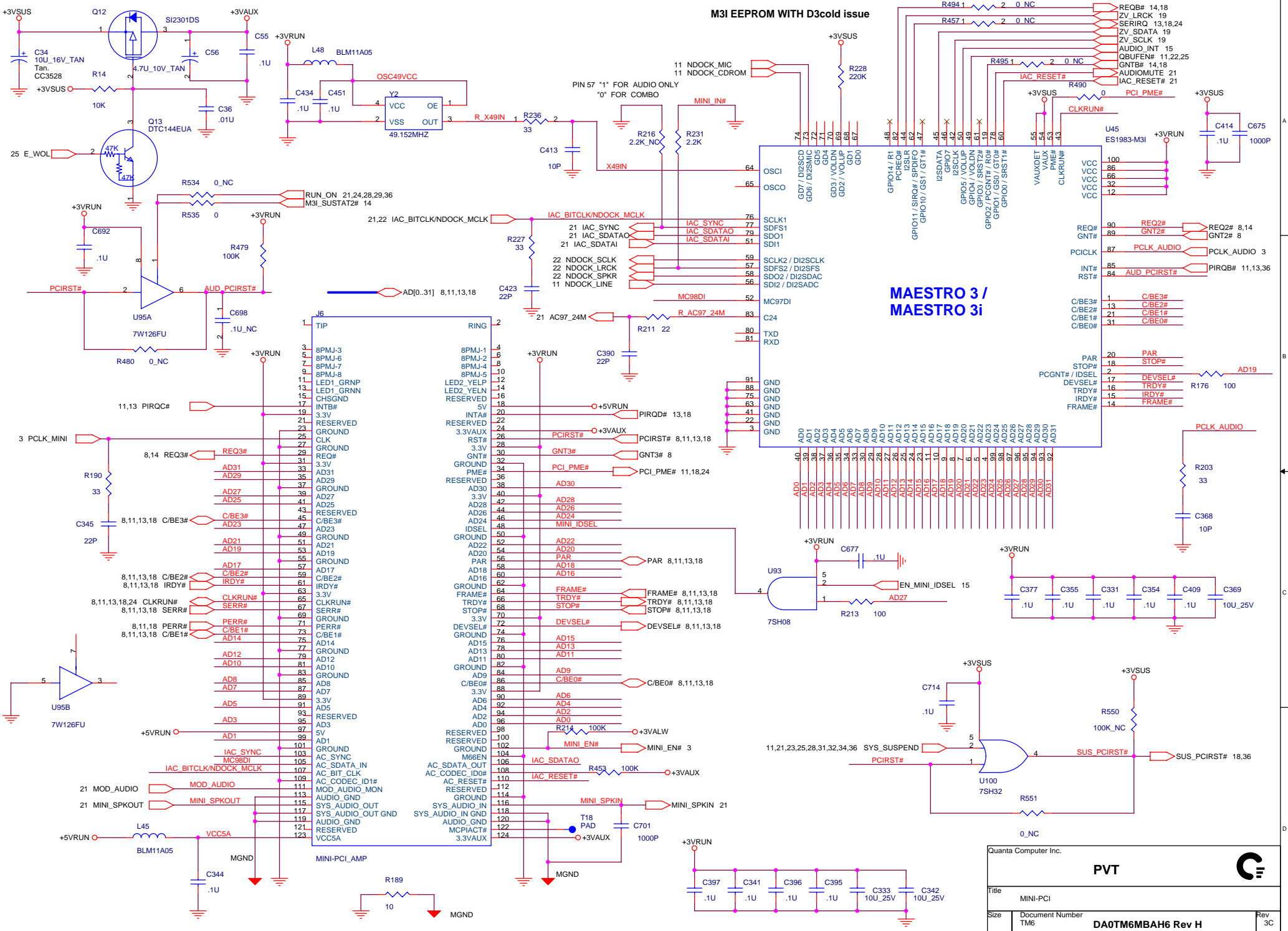
Date: Friday, July 07, 2000 Sheet 17 of 36



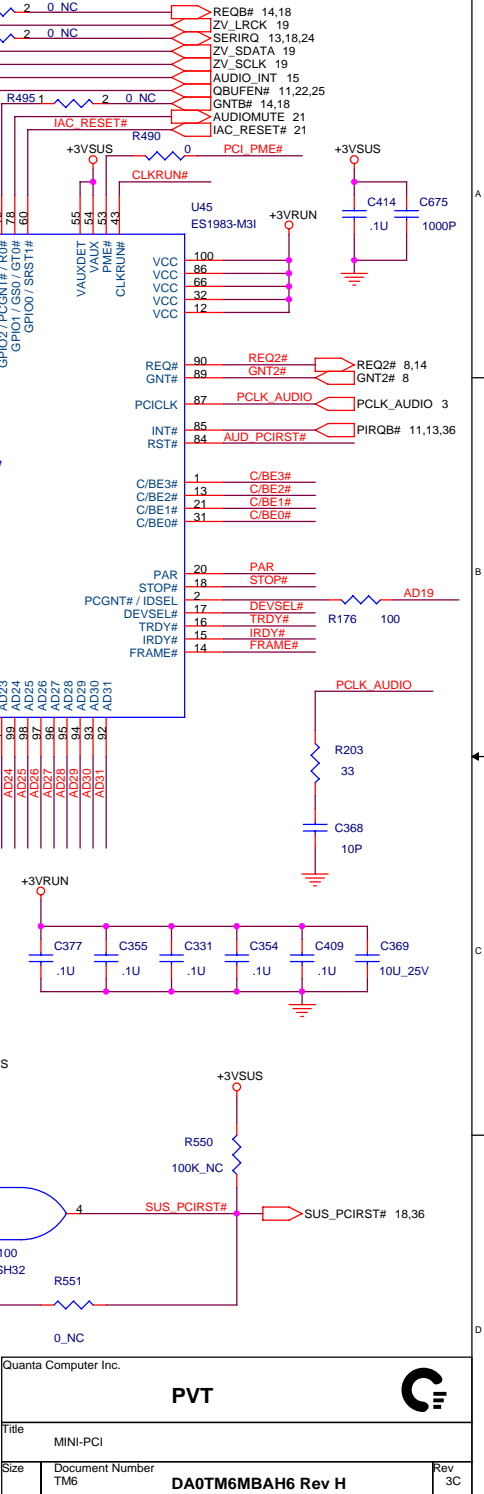
FOR PCI1225 MOUNT THESE RPS



M31 EEPROM WITH D3cold issue



MAESTRO 3 / MAESTRO 3i



Quanta Computer Inc.

PVT

Title: MINI-PCI

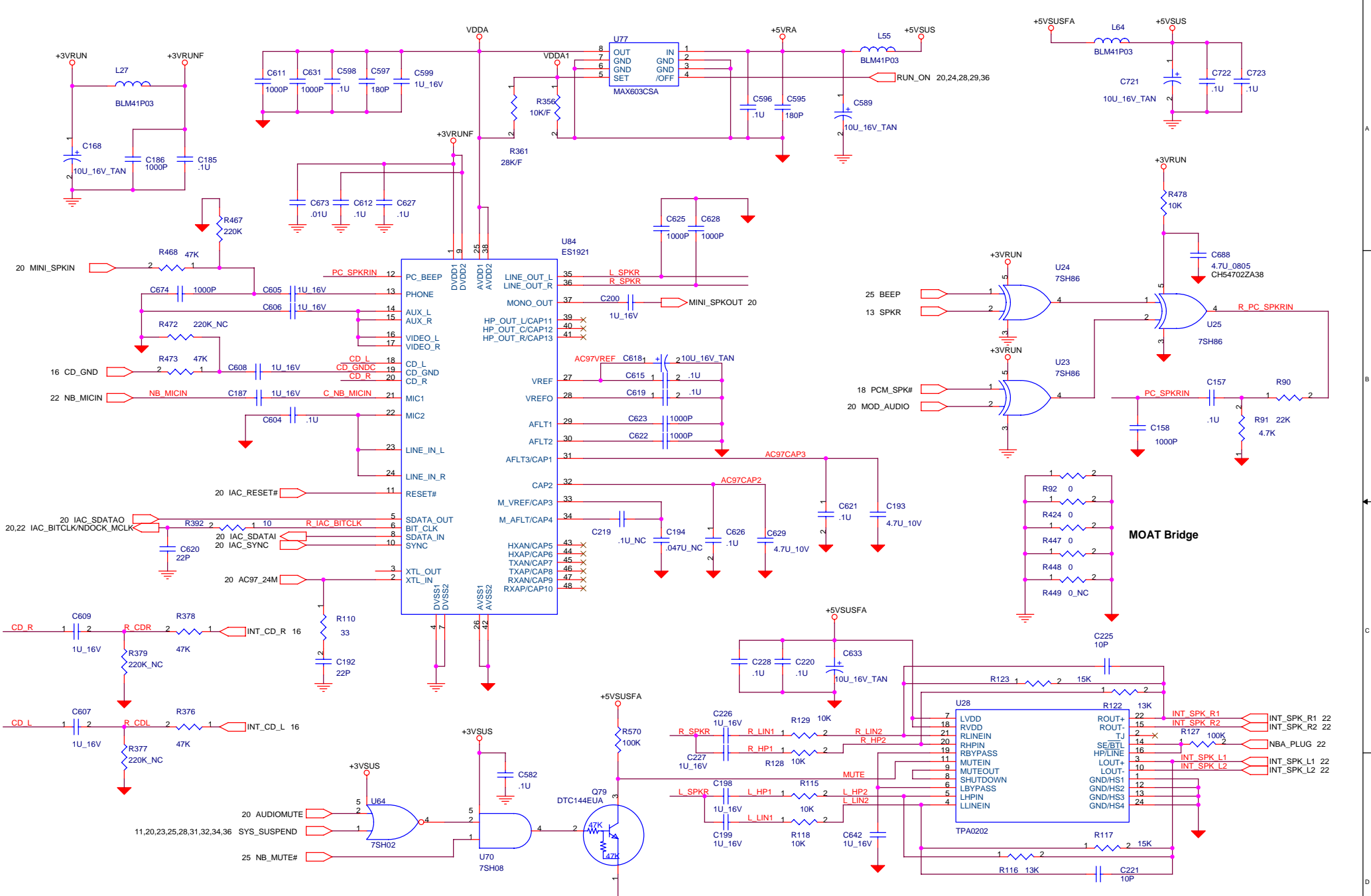
Size: Document Number TM6

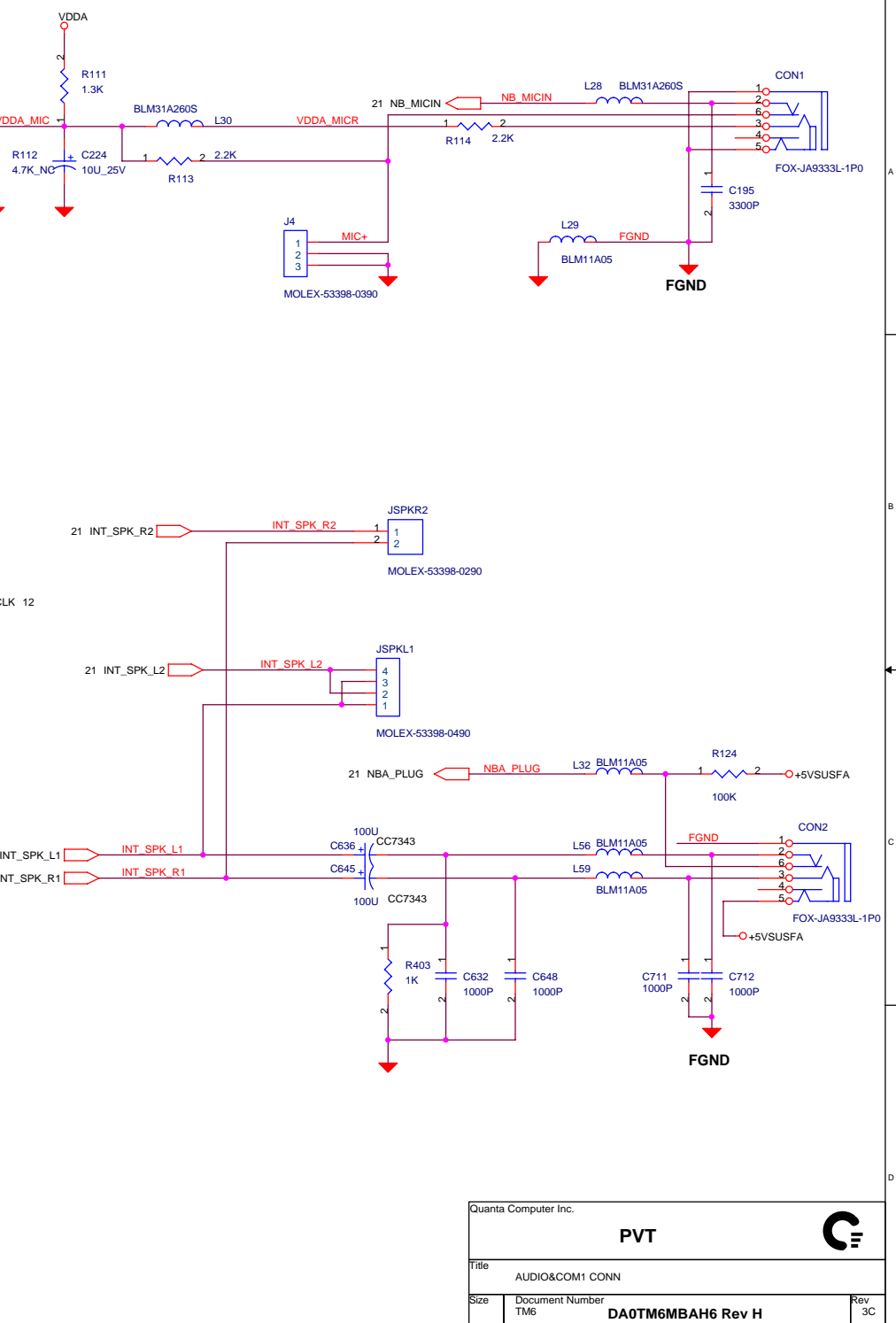
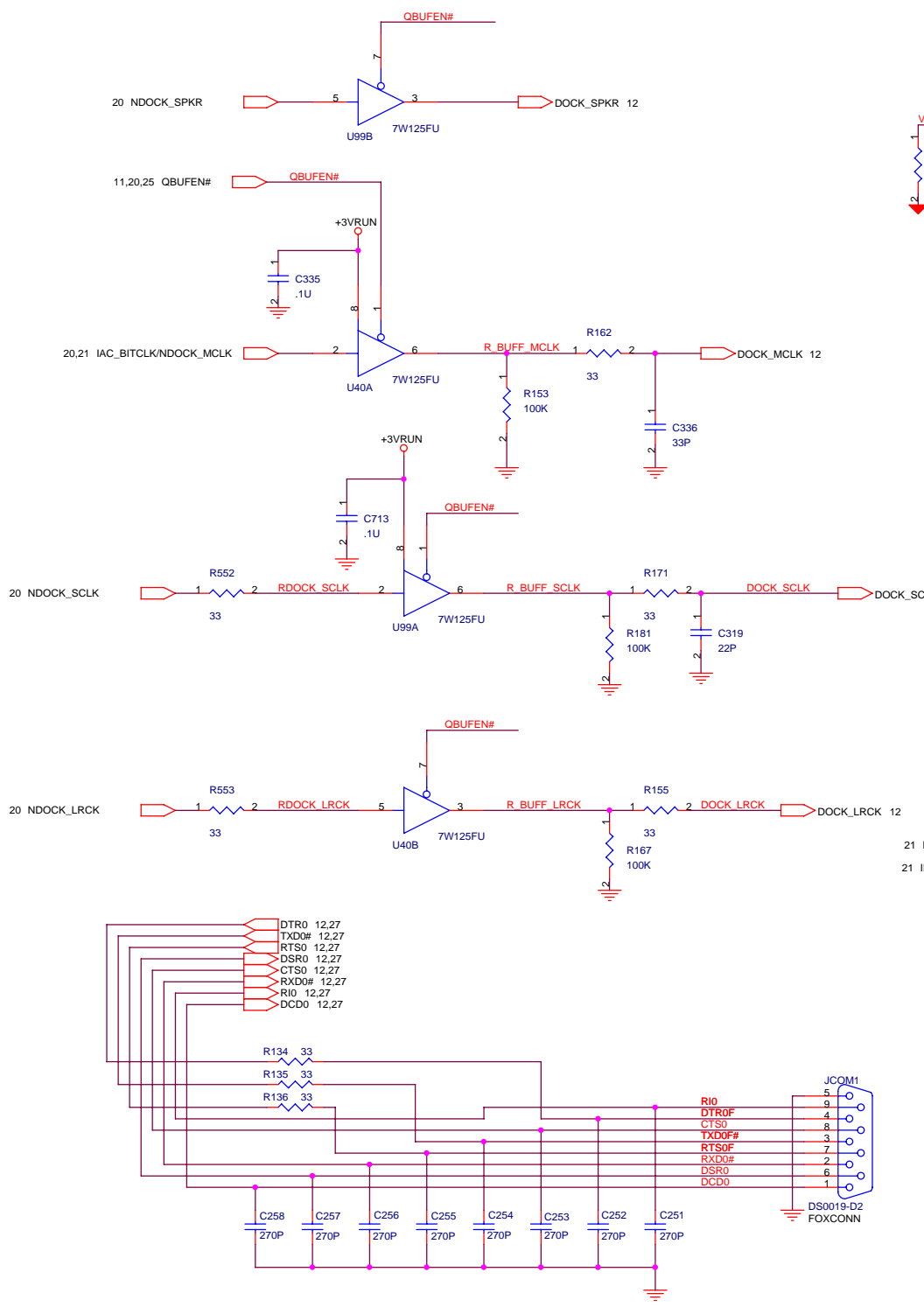
Date: Friday, July 07, 2000

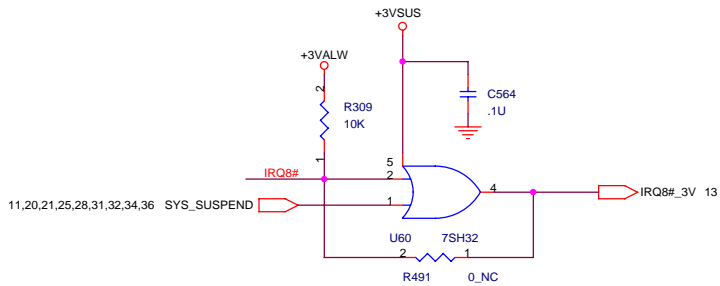
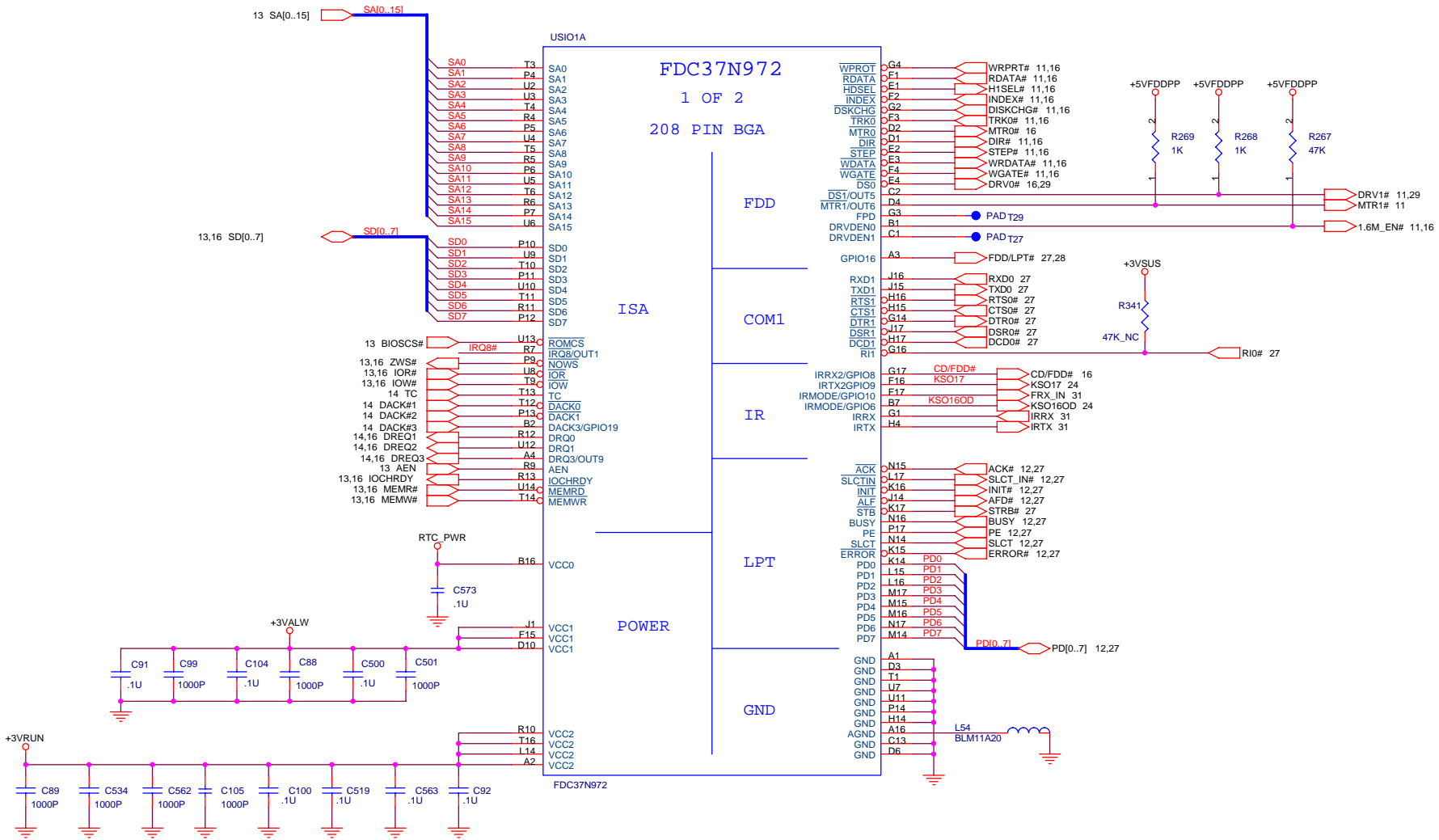
Sheet 20 of 36

Rev 3C

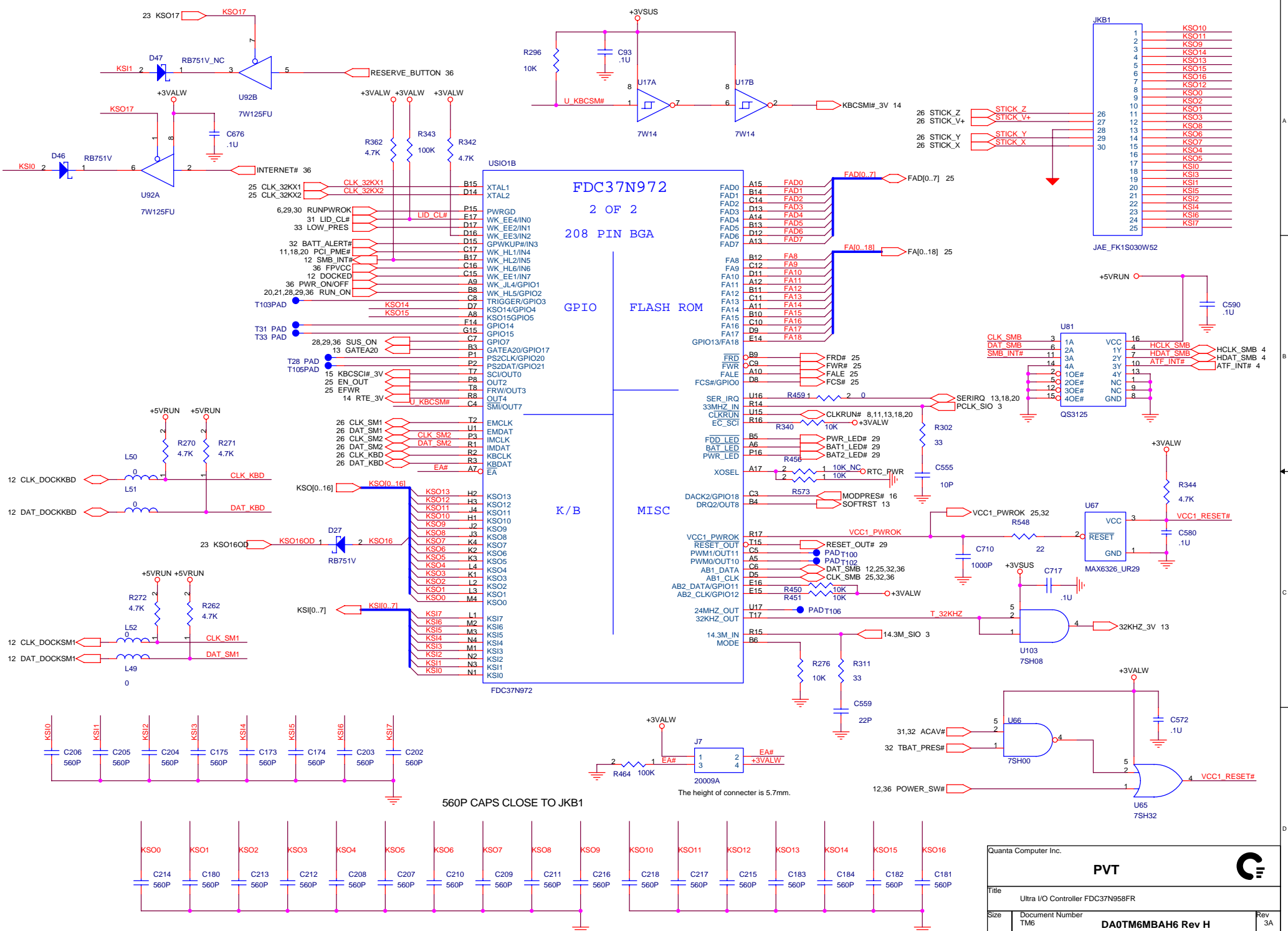
DA07M6BAH6 Rev H







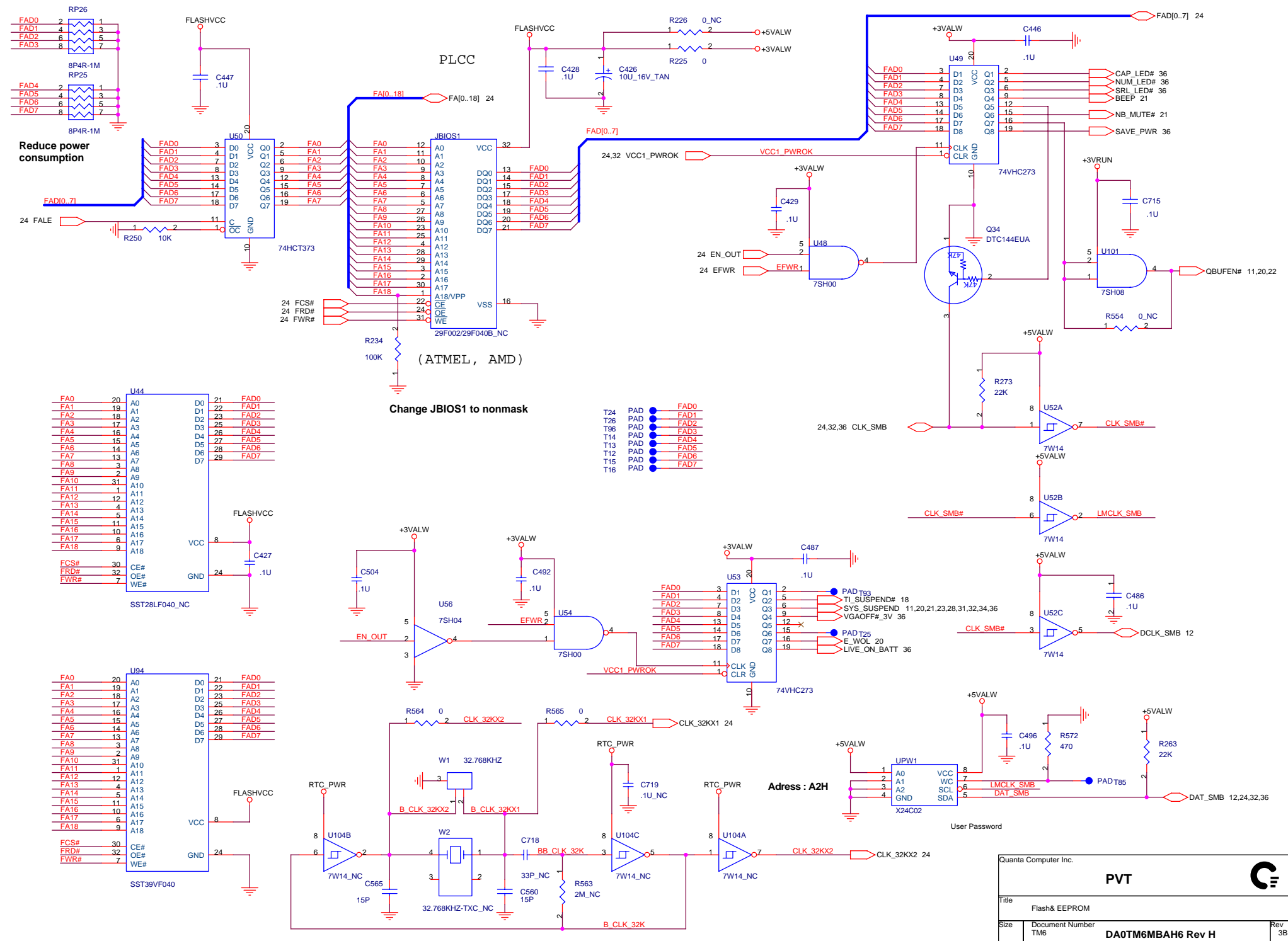
Quanta Computer Inc.		
PVT		
Title Ultra I/O Controller FDC37N958FR		
Size	Document Number TM6	Rev 2D
Date:	Friday, July 07, 2000	Sheet 23 of 36



560P CAPS CLOSE TO JKB1

The height of connector is 5.7mm.

Quanta Computer Inc.		
PVT		
Title Ultra I/O Controller FDC37N958FR		
Size	Document Number TM6	Rev 3A
DA0TM6MBAH6 Rev H		
Date: Friday, July 07, 2000	Sheet 24	of 36



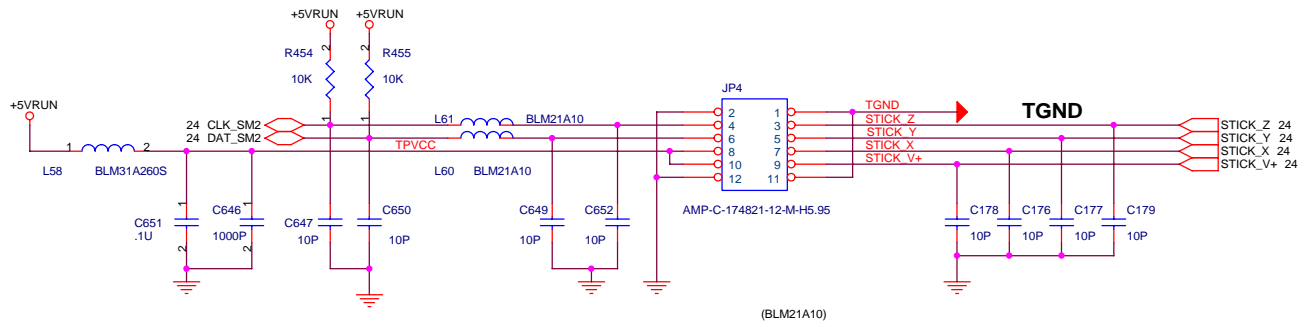
Reduce power consumption

Change JBIOS1 to nonmask

Address : A2H

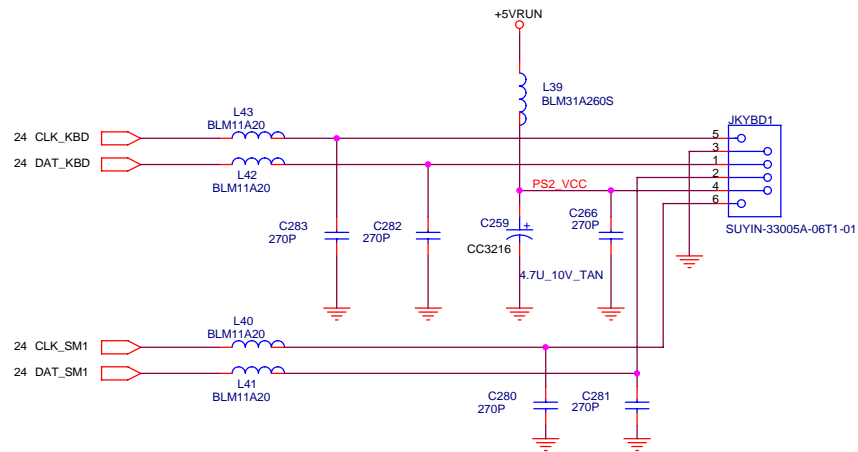
Quanta Computer Inc.		
PVT		
Flash & EEPROM		
Size	Document Number	Rev
	DA0TM6MBAH6 Rev H	3B
Date:	Friday, July 07, 2000	Sheet 25 of 36


Touch Pad

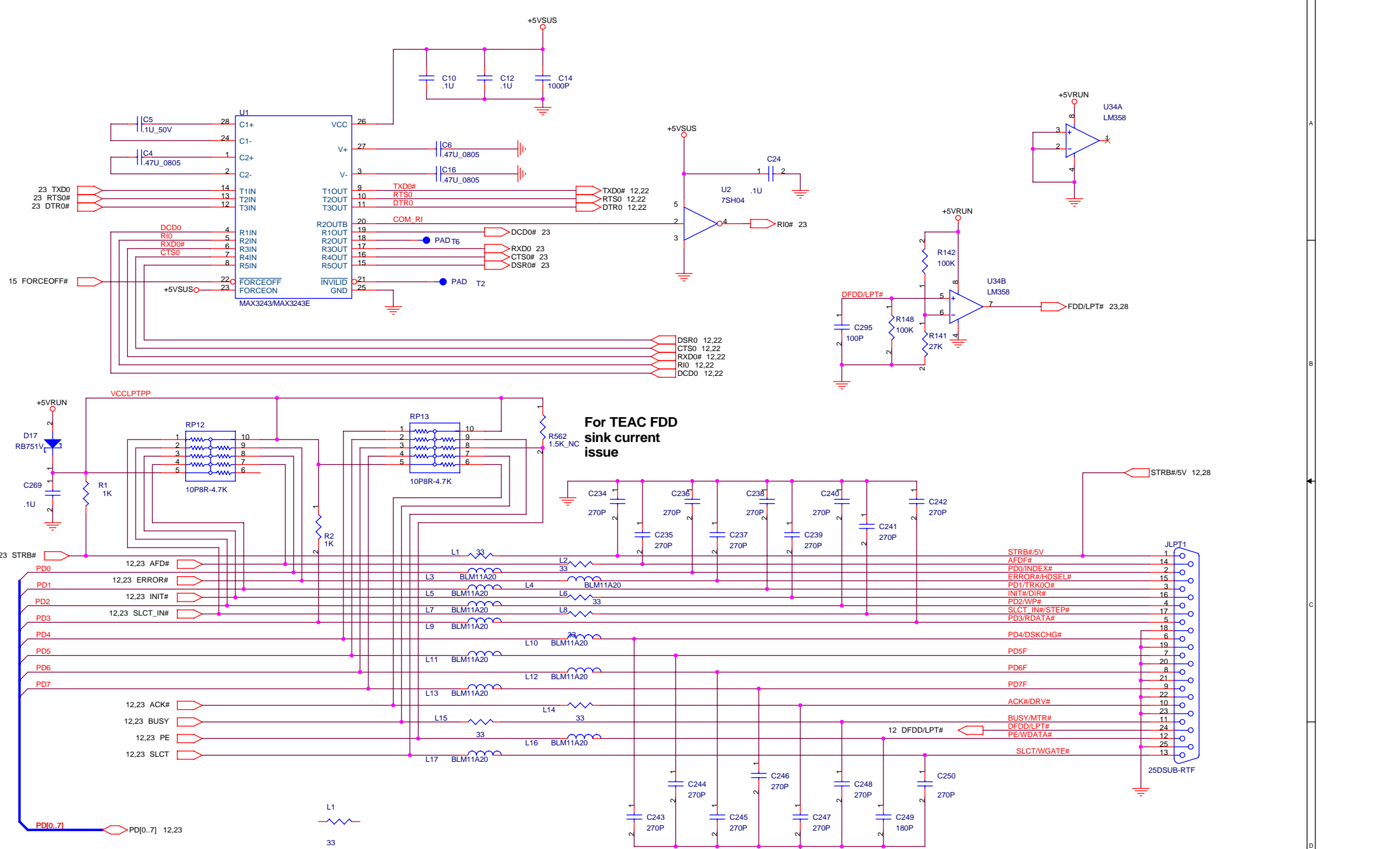


(BLM21A10)

TIE GND TO H20

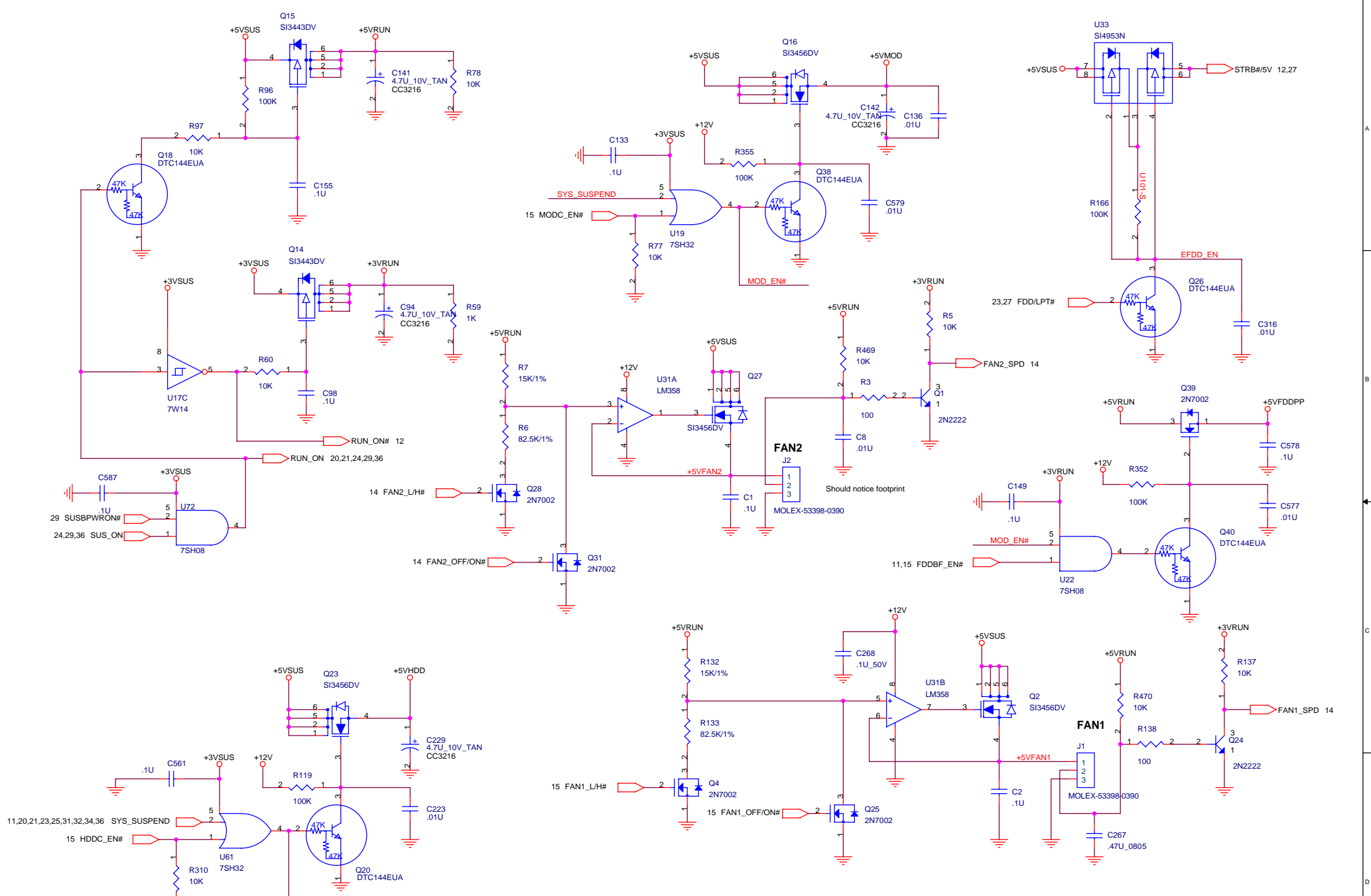


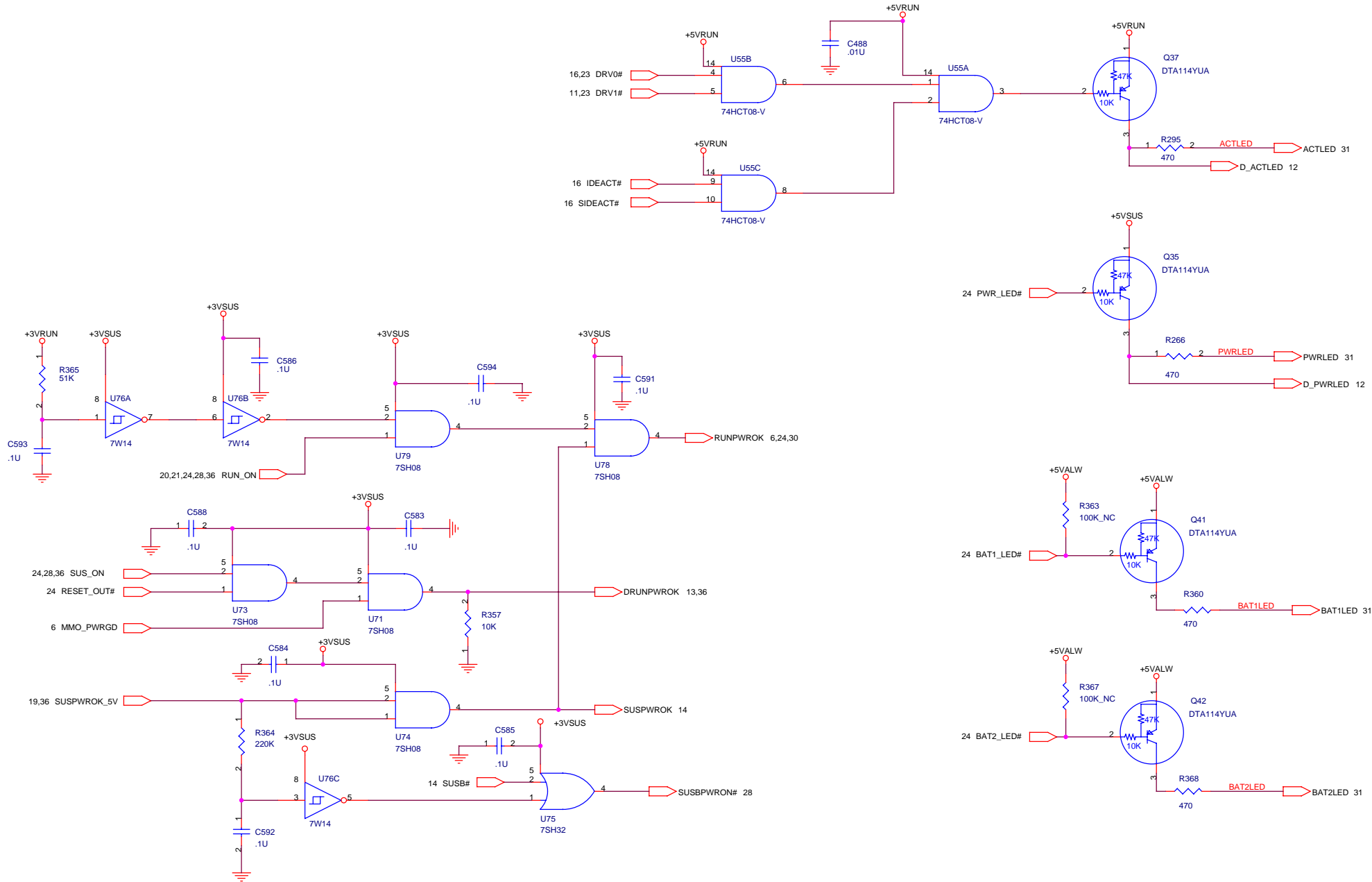
Quanta Computer Inc.		PVT		
Title: Stick&Touch Pad				
Size	Document Number	DA0TM6MBAH6 Rev H		Rev
Date:	Friday, July 07, 2000	Sheet	26	of 36

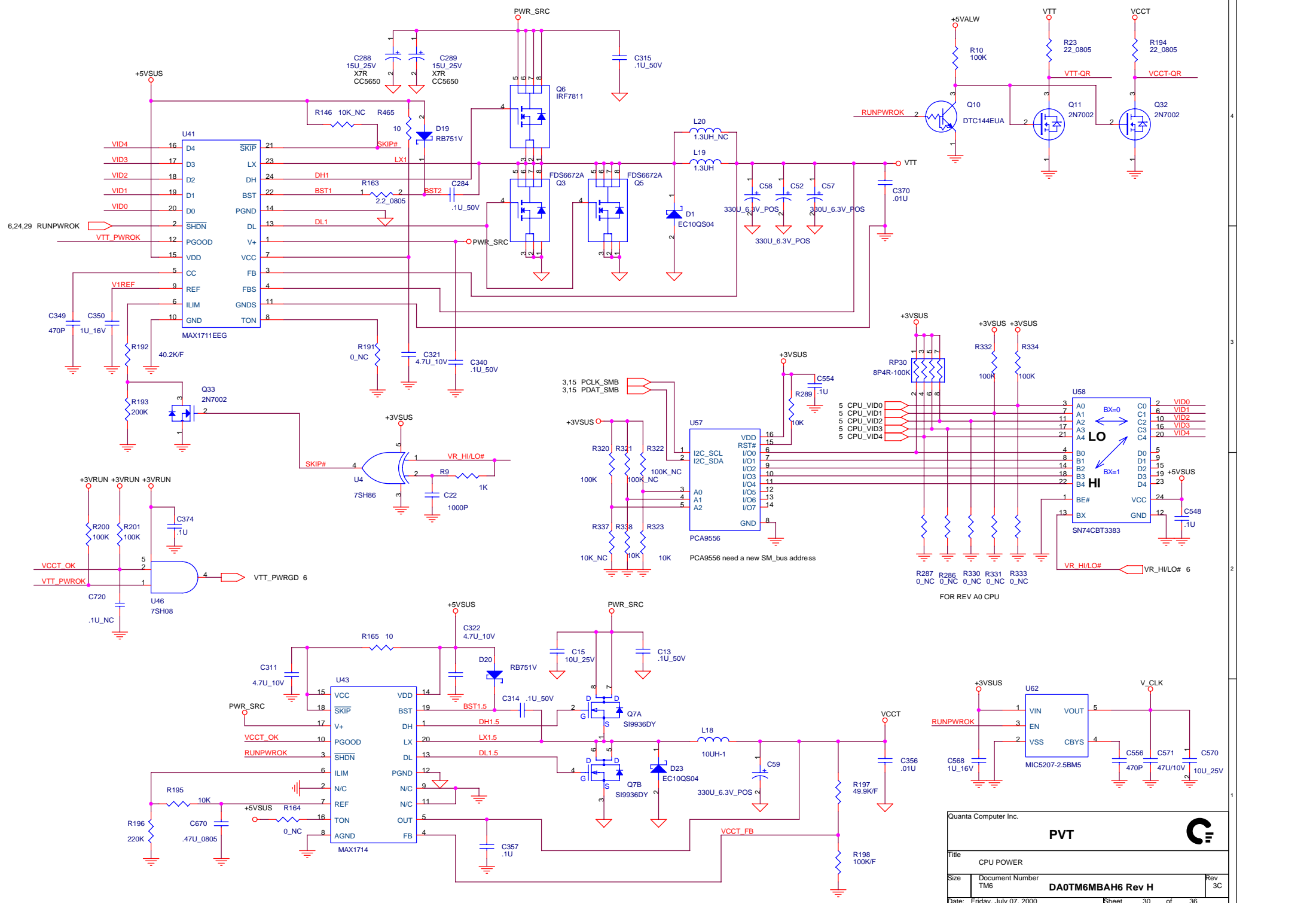



For TEAC FDD sink current issue

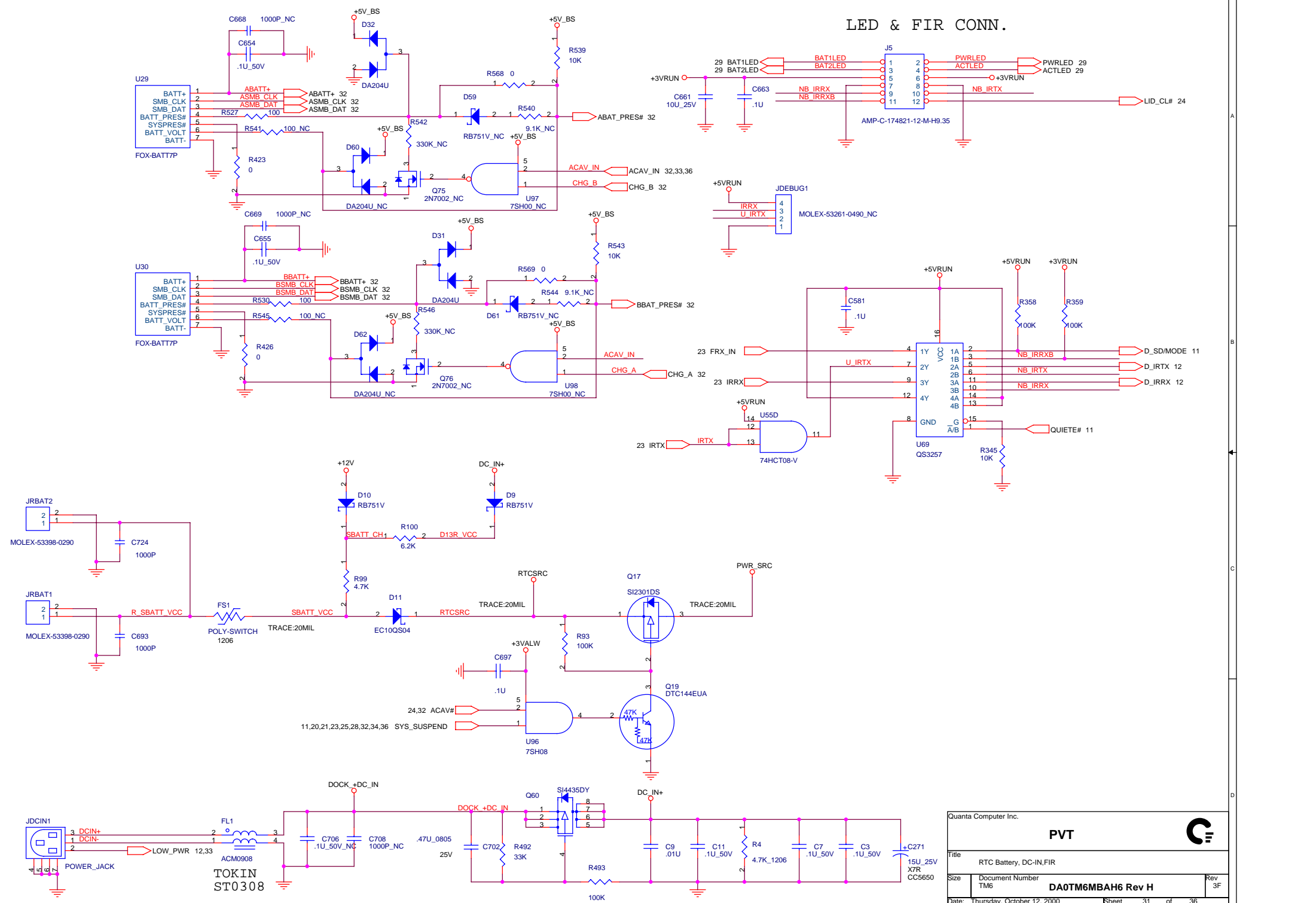
Quanta Computer Inc.			
PVT			
Title Serial & Parallel			
Size	Document Number TM6	DA07M6MBAH6 Rev H	Rev 3H
Date:	Tuesday, November 28, 2000	Sheet	27 of 36





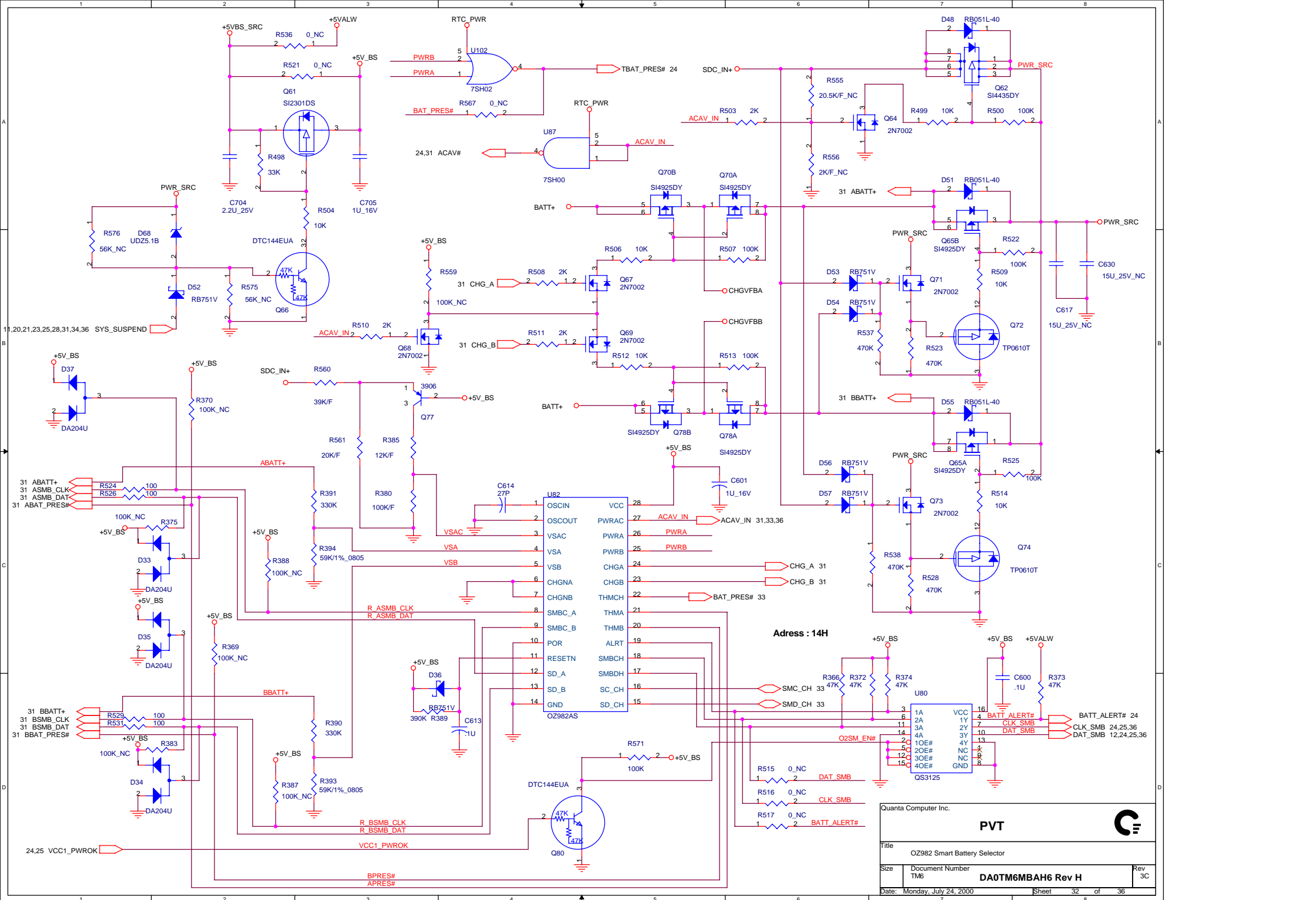


Quanta Computer Inc.			
PVT			
Title CPU POWER			
Size	Document Number	Rev	
	TM6	3C	
Date: Friday, July 07, 2000		Sheet	30 of 36



LED & FIR CONN.

Quanta Computer Inc.		
PVT		
Title RTC Battery, DC-IN, FIR		
Size	Document Number TM6	Rev 3F
Date: Thursday, October 12, 2000		Sheet 31 of 36



Quanta Computer Inc.

PVT

Title: OZ982 Smart Battery Selector

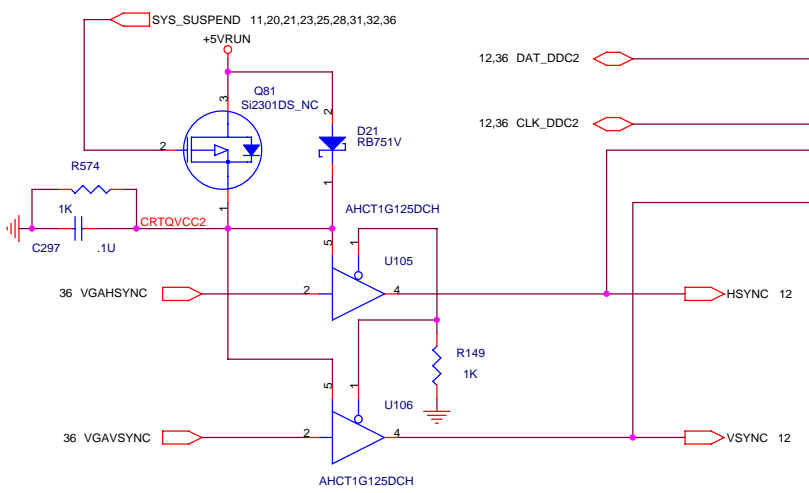
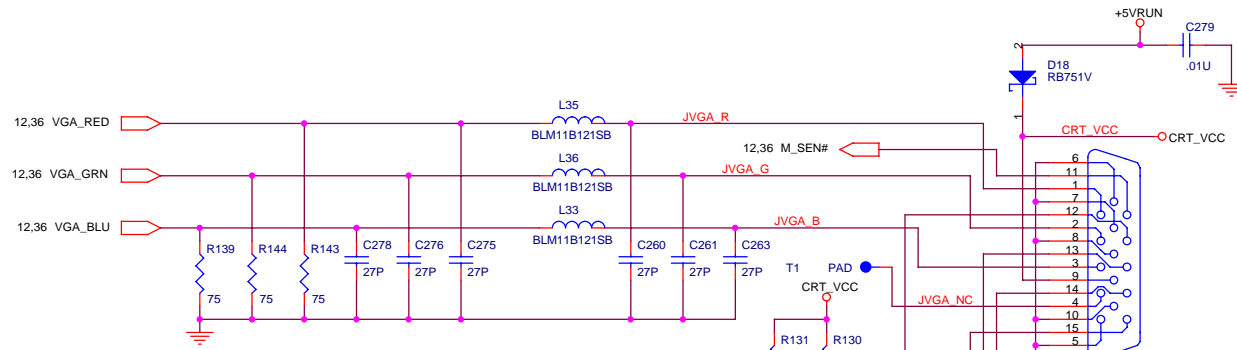
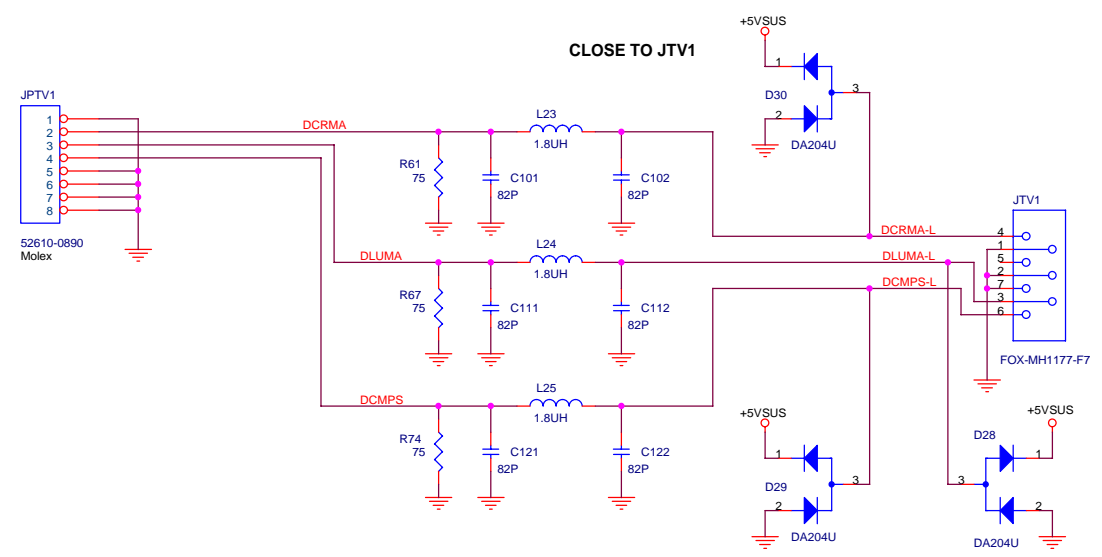
Size: Document Number TMS

Date: Monday, July 24, 2000

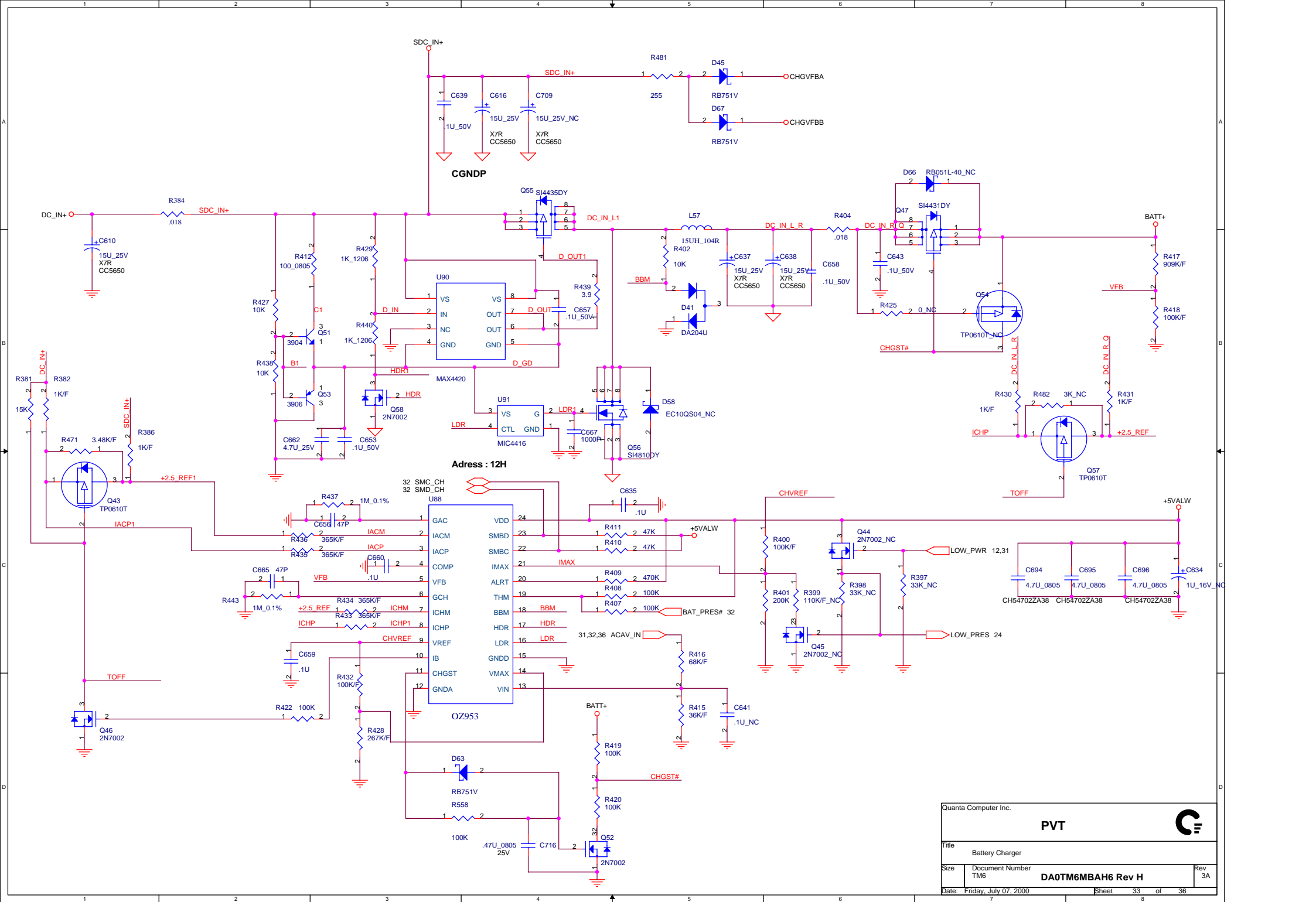
Sheet 32 of 36

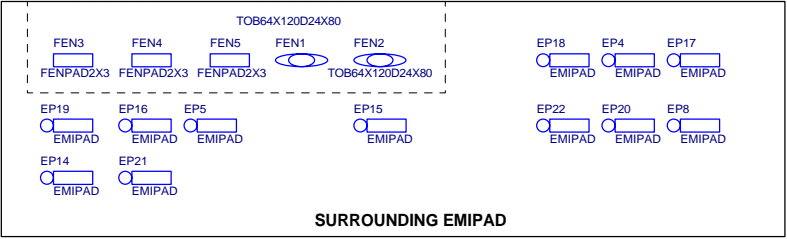
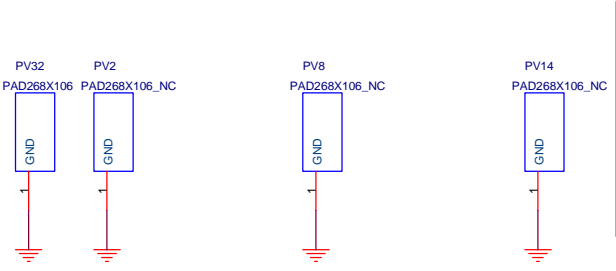
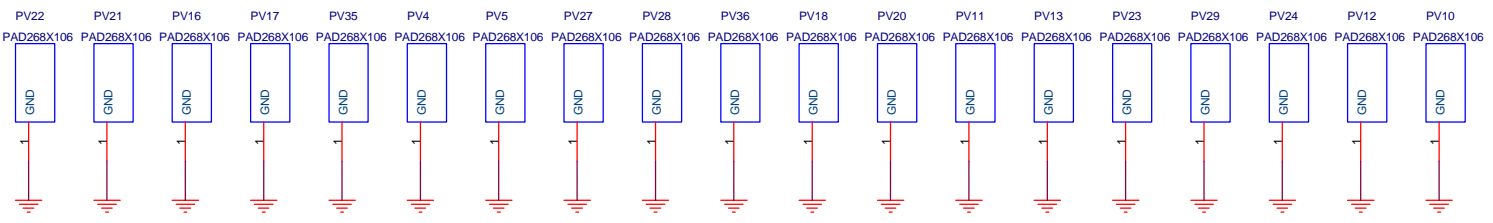
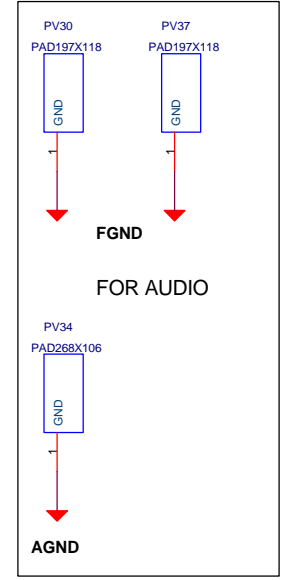
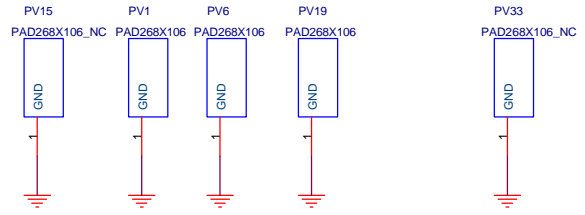
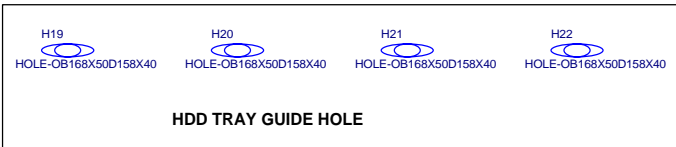
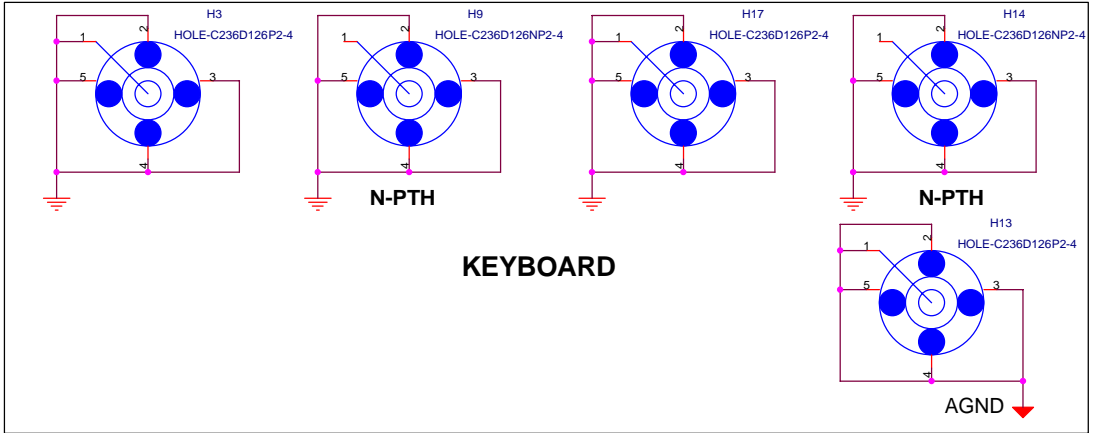
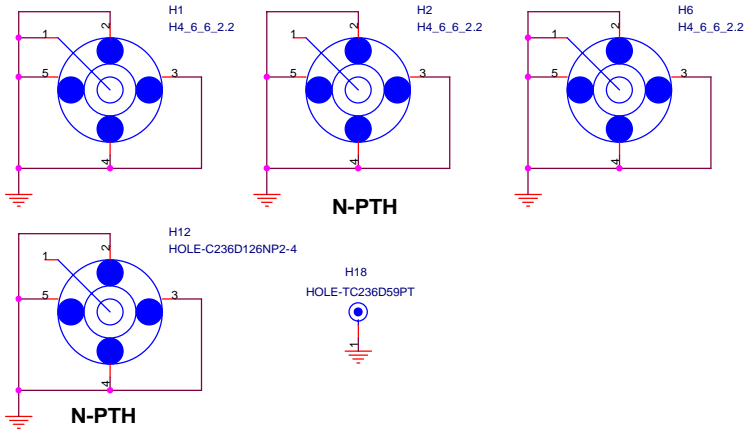
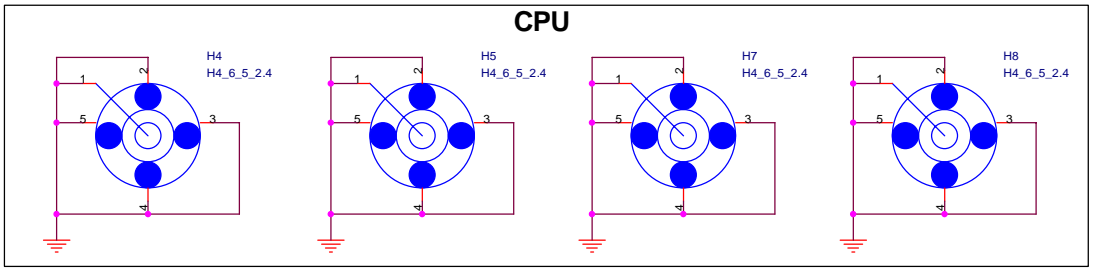
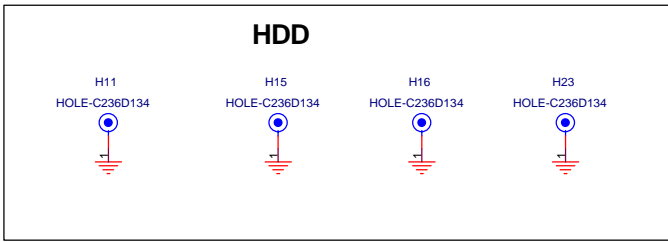
Rev 3C

DA0TM6BAH6 Rev H

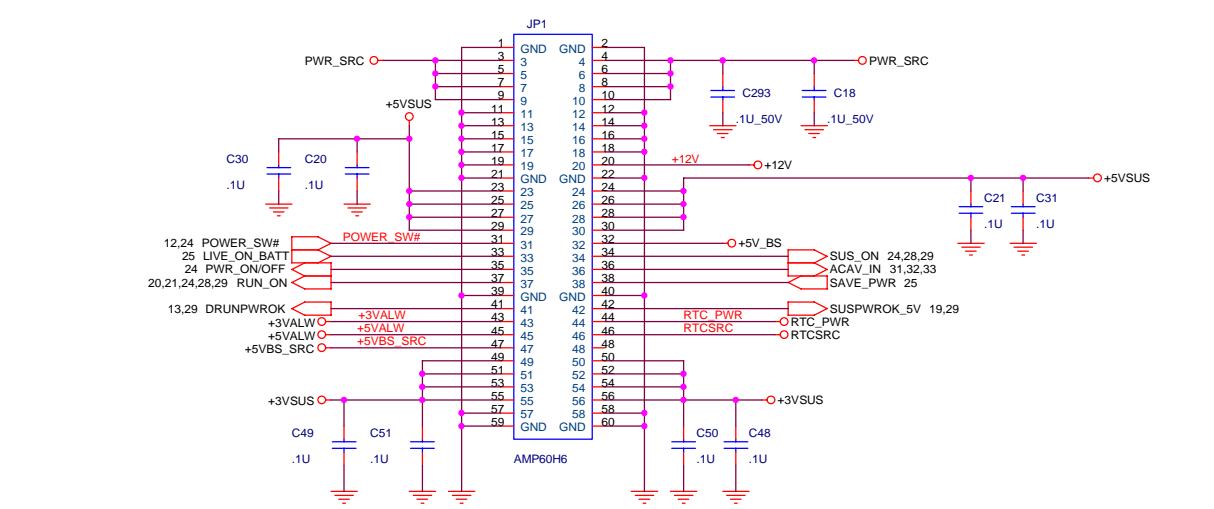
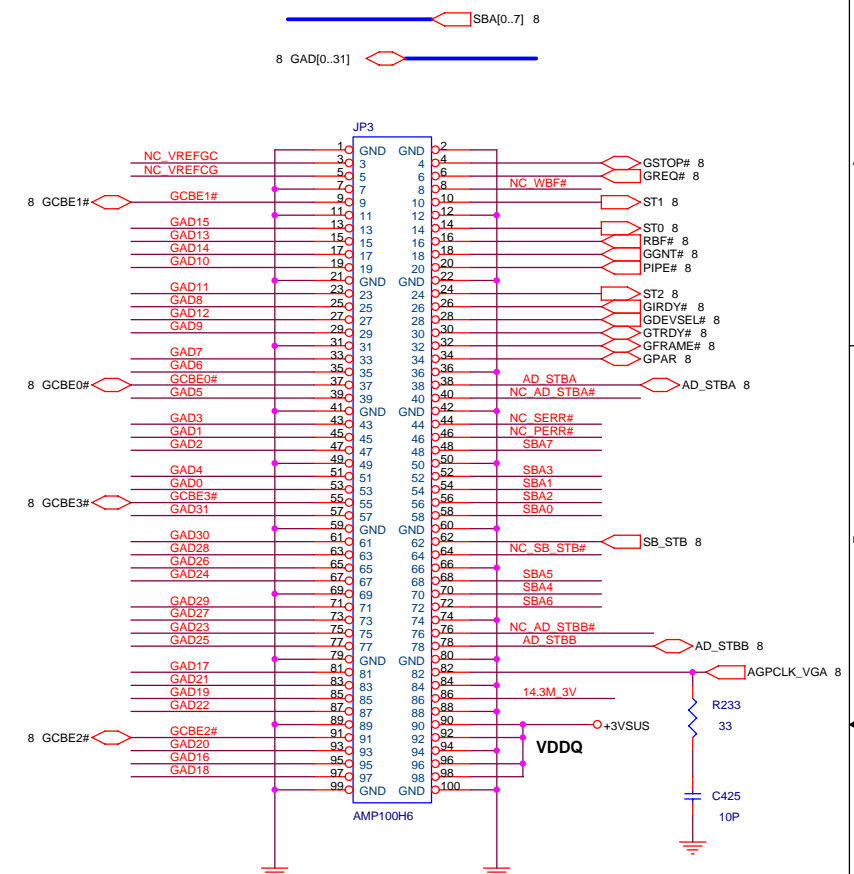
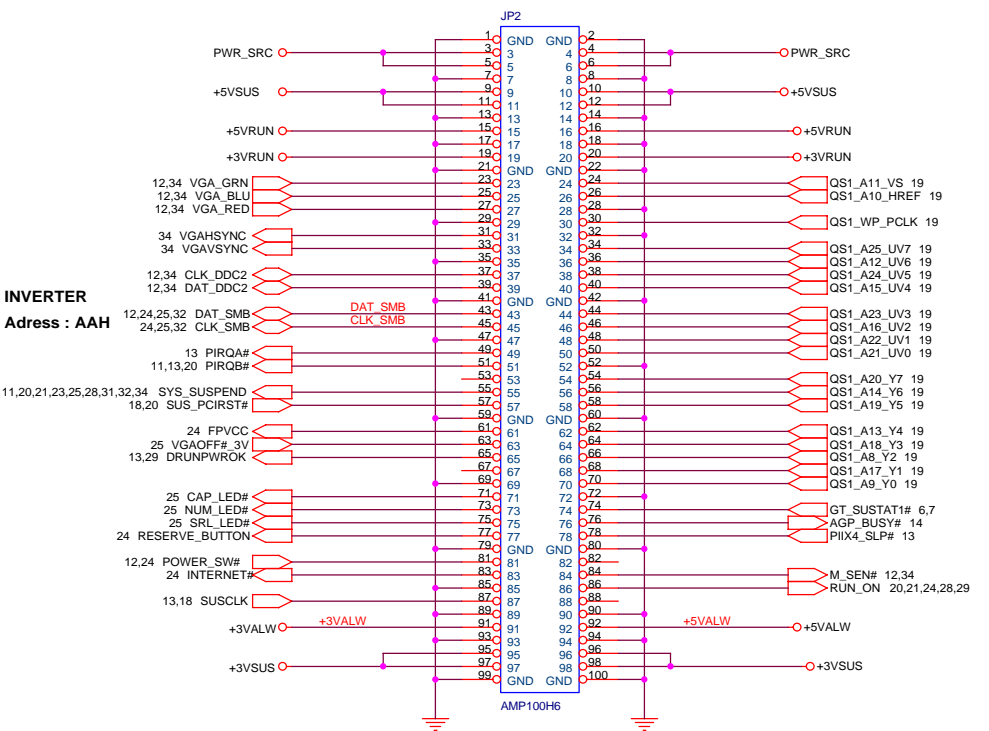


Quanta Computer Inc.			
PVT			
Title S-VIDEO & CRT			
Size	Document Number TM6	DA0TM6MBAH6 Rev H	Rev 3C
Date:	Friday, July 07, 2000	Sheet	34 of 36





Quanta Computer Inc.			
PVT			
Title SCREW_PAD			
Size	Document Number TM6	DA0TM6MBAH6 Rev H	Rev 3A
Date: Monday, July 24, 2000	Sheet 35 of 36		8



Quanta Computer Inc.		PVT	
Title: BTB CONN			
Size: TM6	Document Number: DA0TM6MBAH6 Rev H	Rev: 3A	
Date: Friday, July 07, 2000	Sheet: 36 of 36		