

**LA-1811**

assistenza compaq

# Compal confidential

## Schematics Document

**DT TRANSPORT or Prescott uFCPGA**

**with ATI-RC300M+SB200 core logic**

**2003-09-01**

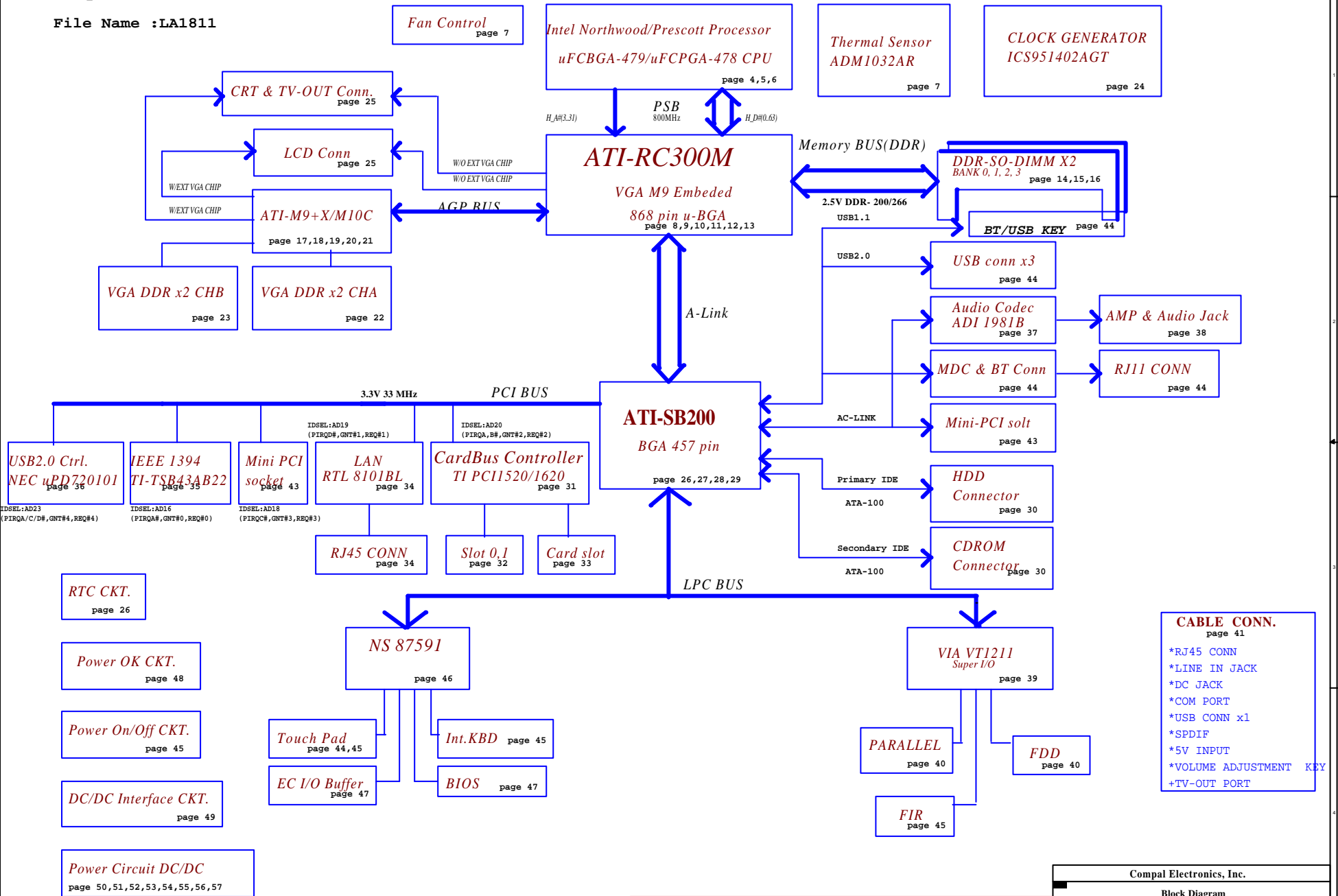
**REV:1.0**

THIS SHEET OF ENGINEERING DRAWING IS THE PROPRIETARY PROPERTY OF COMPAL ELECTRONICS, INC. AND CONTAINS CONFIDENTIAL INFORMATION.  
DEPARTMENT EXCEPT AS AUTHORIZED BY COMPAL ELECTRONICS, INC. NEITHER THIS SHEET NOR THE INFORMATION IT CONTAINS  
MAY BE USED BY OR DISCLOSED TO ANY THIRD PARTY WITHOUT PRIOR WRITTEN CONSENT OF COMPAL ELECTRONICS, INC.

Compal Electronics, Inc.		
Cover Sheet		
Size	Document Number	Rev
	LA-1811	1.0
Date:	Wednesday, September 24, 2003	
Sheet	1 of 66	

Compal confidential

File Name :LA1811



THIS SHEET OF ENGINEERING DRAWING IS THE PROPRIETARY PROPERTY OF COMPAL ELECTRONICS, INC. AND CONTAINS CONFIDENTIAL INFORMATION. IT IS TO BE USED BY OR DISCLOSED TO ANY THIRD PARTY WITHOUT PRIOR WRITTEN CONSENT OF COMPAL ELECTRONICS, INC.

Compal Electronics, Inc.		
Block Diagram		
Size	Document Number	Rev
	LA-1811	1.0
Date:	Wednesday, September 24, 2003	
Sheet	2 of 66	

## Voltage Rails

Power Plane	Description	S0-S1	S3	S5
VIN	Adapter power supply (19V)	N/A	N/A	N/A
B+	AC or battery power rail for power circuit.	N/A	N/A	N/A
+VCC_CORE	Core voltage for CPU	ON	OFF	OFF
+VCCVID	The voltage for Processor VID select	ON	OFF	OFF
+1.25VS	1.25V switched power rail for DDR Vtt	ON	OFF	OFF
+1.2VS_VGA	1.2V I/O power rail for ATI-VGA M9+X/M10P.	ON	OFF	OFF
+1.5VS	1.5V I/O power rail for ATI-RS300M/RC300M NB AGP.	ON	OFF	OFF
+1.8VS	1.8V switched power rail for ATI-RS300M/RC300M NB.	ON	OFF	OFF
+2.5VALW	2.5V always on power rail	ON	ON	ON*
+2.5V	2.5V system power rail for DDR	ON	ON	OFF
+2.5VS	2.5V switched power rail	ON	OFF	OFF
+3VALW	3.3V always on power rail	ON	ON	ON*
+3V	3.3V system power rail for SBLAN,CardReader and HUB.	ON	ON	OFF
+3VS	3.3V switched power rail	ON	OFF	OFF
+5VALW	5V always on power rail	ON	ON	ON*
+5V	5V system power rail .	ON	ON	OFF
+5VS	5V switched power rail	ON	OFF	OFF
+12VALW	12V always on power rail	ON	ON	ON*
RTCVCC	RTC power	ON	ON	ON

Note : ON\* means that this power plane is ON only with AC power available, otherwise it is OFF.

## External PCI Devices

DEVICE	IDSEL #	REQ/GNT #	PIRQ
NB Internal VGA	N/A	N/A	A
AGP BUS	AGP_DEVSEL	N/A	A
SOUTHBRIDGE	AD31 (INT.)	N/A	N/A
USB	AD30 (INT.)	N/A	D
AC97	AD31 (INT.)	N/A	B
ATA 100	AD31 (INT.)	N/A	A
ETHERNET	AD24(INT.)	N/A	C
1394	AD16	0	A
LAN	AD19	1	D
CARD BUS	AD20	2	A,B
Wireless LAN(MINI PCI)	AD18	3	C
<b>EXT USB</b>	<b>AD23(EXT.)</b>	<b>4</b>	<b>A,C,D</b>

## I2C / SMBUS ADDRESSING

DEVICE	HEX	ADDRESS
DDR SO-DIMM 0	A0	1 0 1 0 0 0 0 X
DDR SO-DIMM 1	A2	1 0 1 0 0 0 1 X
CLOCK GENERATOR (EXT.)	D2	1 1 0 1 0 0 1 X

## Symbol Note :



: means Digital Ground



: means Analog Ground

@ : means just reserve , no build

NAGP@ : means just build when no external AGP VGA chip build in (UMA).

M10@ : means build VGA M10

M9@ : means build VGA M9+X

M9-M10@ : means build VGA M9 or M10

1520@ : means build Cardbus PCI1520

1620@ : means build Cardbus PCI1620

ATI@ : means build ATI SB USB2.0 related to turn on the function .

NEC@ : means build NEC USB2.0 related to turn on the function .

Compal Electronics, Inc.

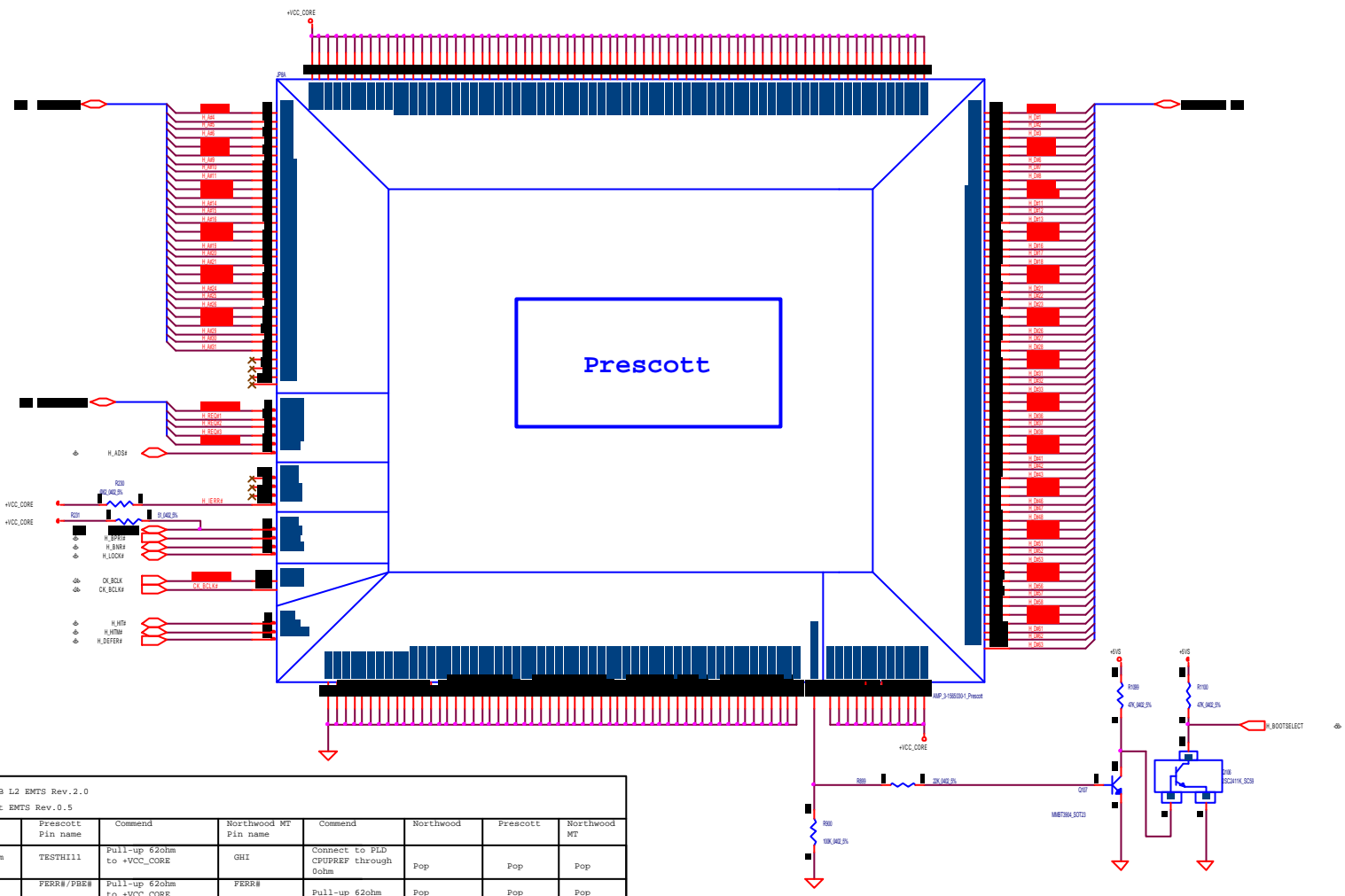
Notes List

AND TRADE SECRET INFORMATION. THIS SHEET MAY NOT BE TRANSFERRED FROM THE CUSTODY OF THE COMPETENT DIVISION OF R&D DEPARTMENT EXCEPT AS AUTHORIZED BY COMPAL ELECTRONICS, INC. NEITHER THIS SHEET NOR THE INFORMATION IT CONTAINS

LA-1811

1.0

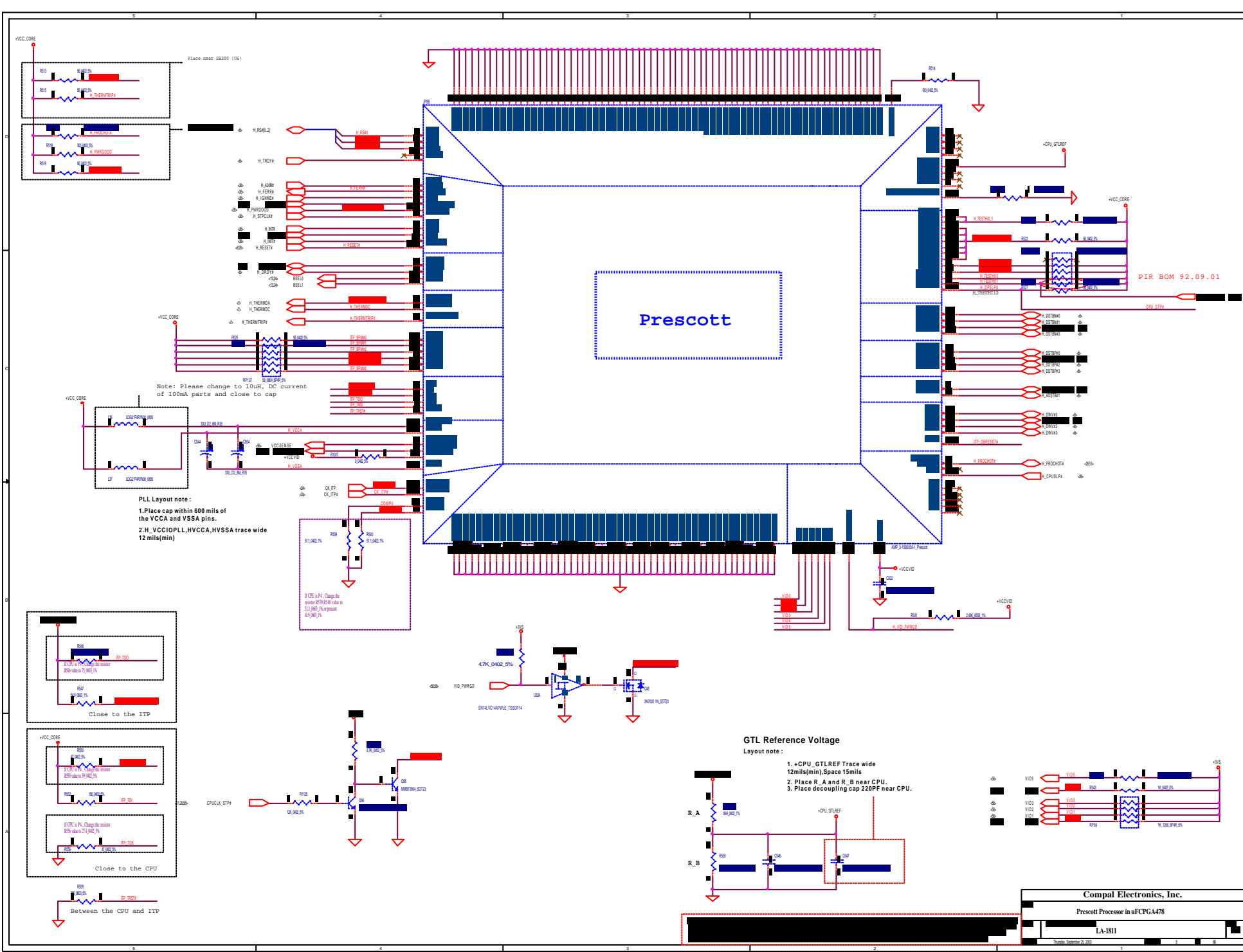
Date: Wednesday, September 24, 2003 Sheet 3 of 66



Reference Intel document  
 Desktop P4 Spec.: 10988 P4 0.13u 512KB L2 EMTS Rev.2.0  
 Desktop Prescott Spec.: 11910 Prescott EMTS Rev.0.5

Pin number	Northwood Pin name	Comment	Prescott Pin name	Comment	Northwood MT Pin name	Comment	Northwood	Prescott	Northwood MT
A6	TESTHI11	Pull-up 200ohm to +VCC_CORE	TESTHI11	Pull-up 62ohm to +VCC_CORE	GHI	Connect to FLD CPUPREP through 0ohm	Pop	Pop	Pop
B6	FERR#	Pull-up 62ohm to +VCC_CORE	FERR#/PBE#	Pull-up 62ohm to +VCC_CORE	FERR#	Pull-up 62ohm to +VCC_CORE	Pop	Pop	Pop
AA20	ITPCLKOUT0	Pull-up 56ohm to +VCC_CORE	TESTHI6	Pull-up 62ohm to +VCC_CORE	ITPCLKOUT0	Pull-up 56ohm to +VCC_CORE	Pop	Pop	Pop
AB22	ITPCLKOUT1	Pull-up 56ohm to +VCC_CORE	TESTHI7	Pull-up 62ohm to +VCC_CORE	ITPCLKOUT1	Pull-up 56ohm to +VCC_CORE	Pop	Pop	Pop
AD2	NC	float	VIDPWRGD	Pull-up 2.43K ohm to +VCCVID	NC	float	Depop	Pop	Depop
AD3	NC	float	VID5	Pull-up 1Kohm to +3VRUN & connect to PWRIC	NC	float	Depop	Pop	Depop
AF3	NC	float	VCCVIDLB	Connect to +VCCVID	NC	float	Depop	Pop	Depop
AE23	VCCA	Connect to CPU Filter	VCCIOPLL	Connect to CPU Filter	VCCA	Connect to CPU Filter			
AD20	VCCIOPLL	Connect to CPU Filter	VCCA	Connect to CPU Filter	VCCIOPLL	Connect to CPU Filter			
AD1	VSS	Connect to GND	BOOTSELECT	CPU determine	VSS	Connect to GND	Pop	Depop	Pop
AE26	VSS	Connect to GND	OPTIMIZED/COMPAT#	float	VSS	Connect to GND	Pop	Depop	Pop
AD25	TESTHI12	Pull-up 200ohm to +VCC_CORE	TESTHI12	Pull-up 62ohm to +VCC_CORE	DPSLP	Connect to FLD through 0ohm	Pop	Pop	Pop

**Compal Electronics, Inc.**  
 Prescott Processor in uCPGA478  
 LA-1811  
 Reference Specifier 2.011



Prescott

Place near SB200 (D4)

Note: Please change to 10uH, DC current of 100mA parts and close to cap

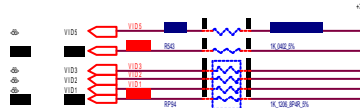
PLL Layout note:

- 1. Place cap within 600 mils of the VCCA and VSSA pins.
- 2. H\_VCCIOPLL, HVCCA, HVSSA trace wide 12 mils(min)

GTL Reference Voltage

Layout note:

- 1. +CPU\_GTLREF Trace wide 12mils(min), Space 15mils
- 2. Place R\_A and R\_B near CPU.
- 3. Place decoupling cap 220PF near CPU.



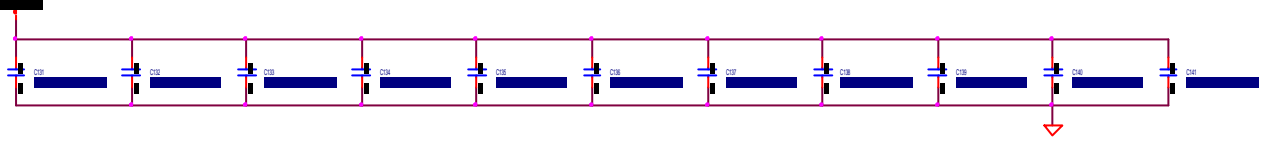
Compal Electronics, Inc.

Prescott Processor in of CPGA478

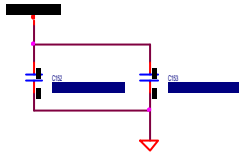
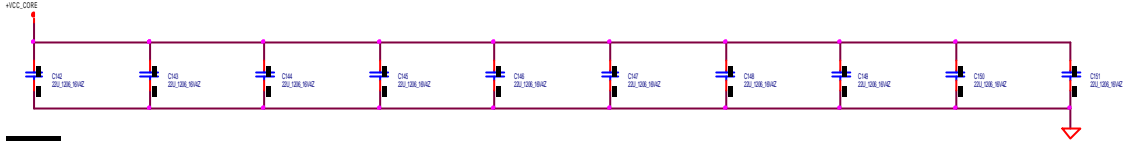
LA-1811

Version: September 2, 2000

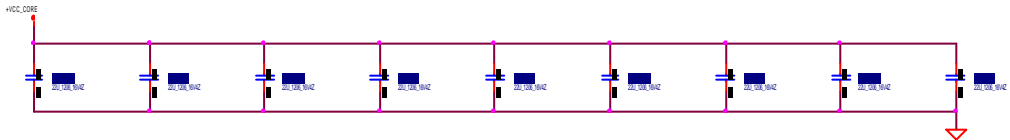
Place 11 North of Socket(Stuff 6)



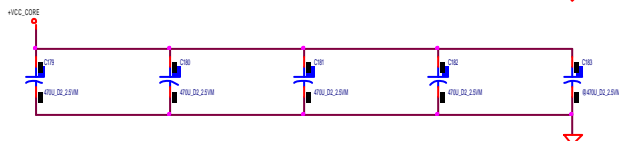
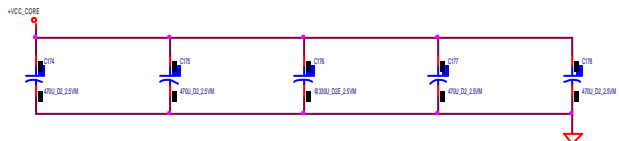
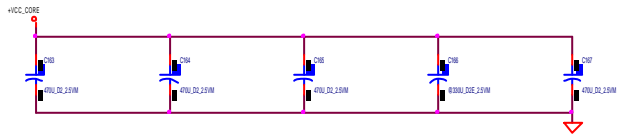
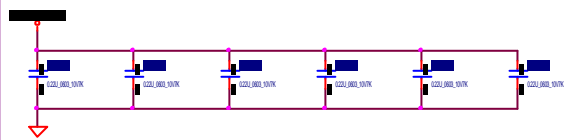
Place 12 Inside Socket(Stuff all)



Place 9 South of Socket(Unstuff all)



Place Inside Socket around the edge

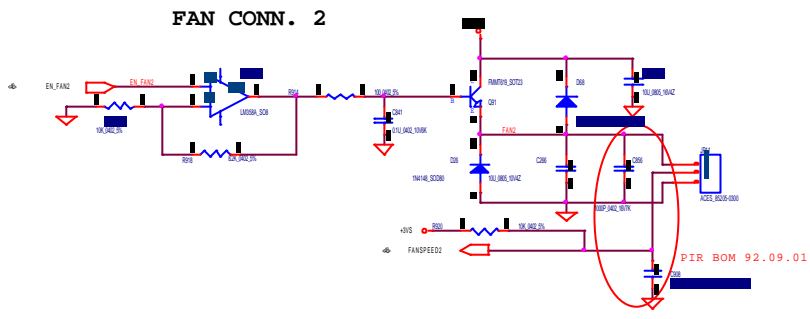
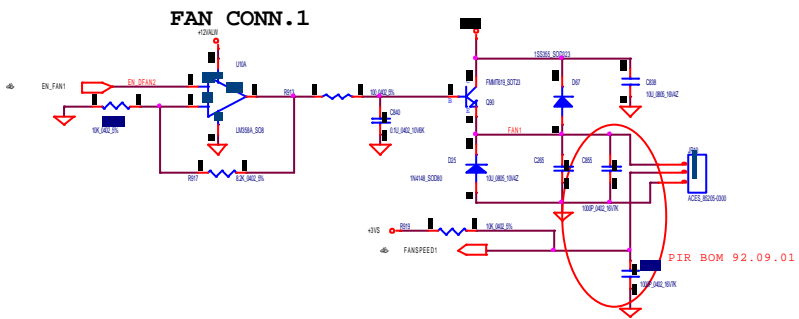
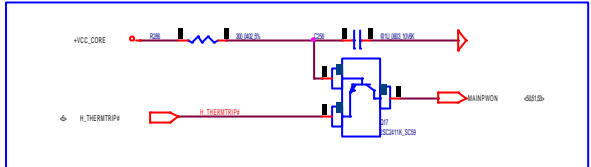
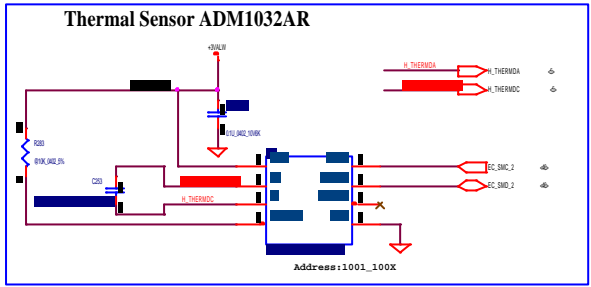


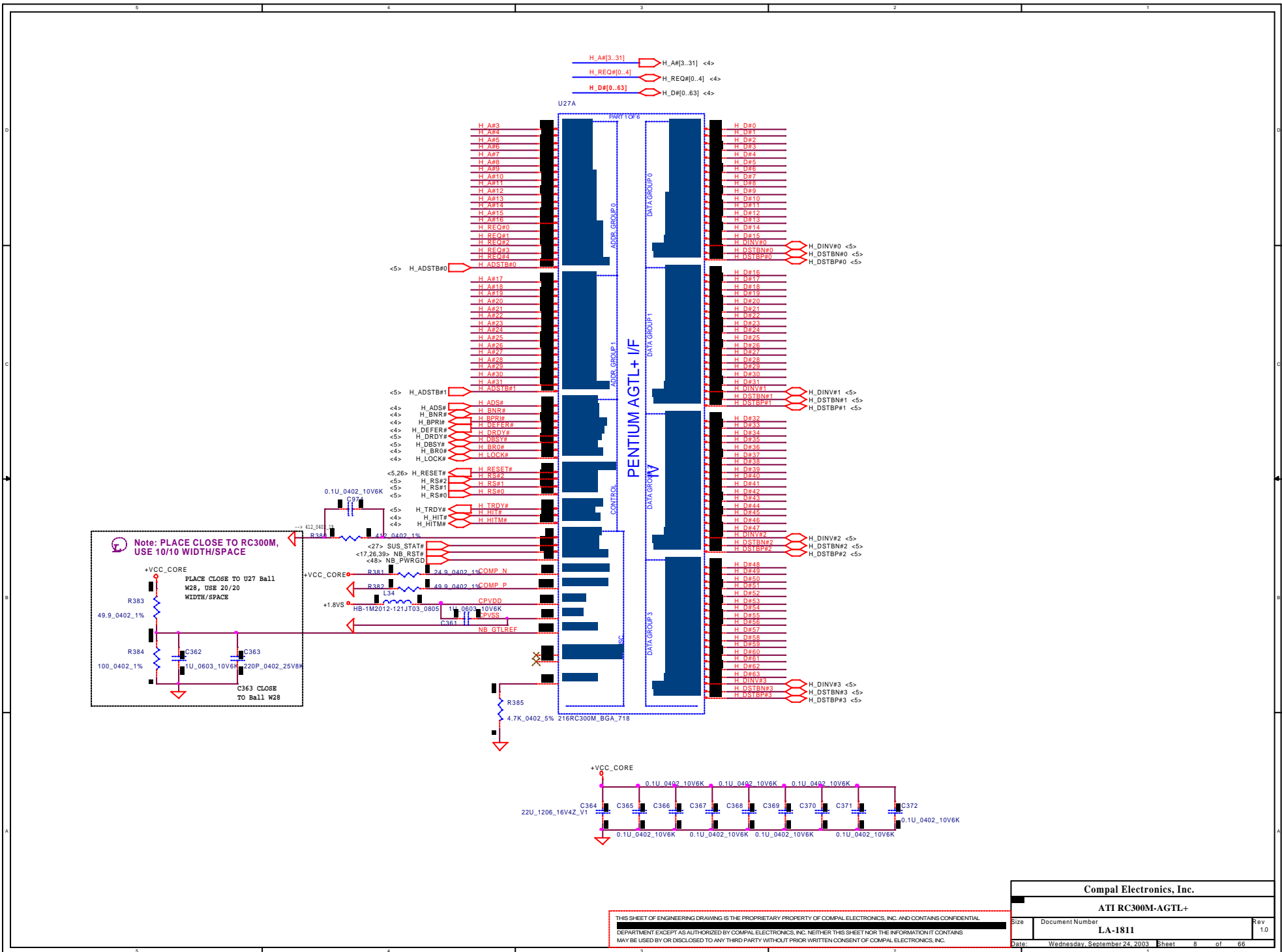
Compal Electronics, Inc.

CPU Decoupling

LA-1811

Version: September 24, 2011

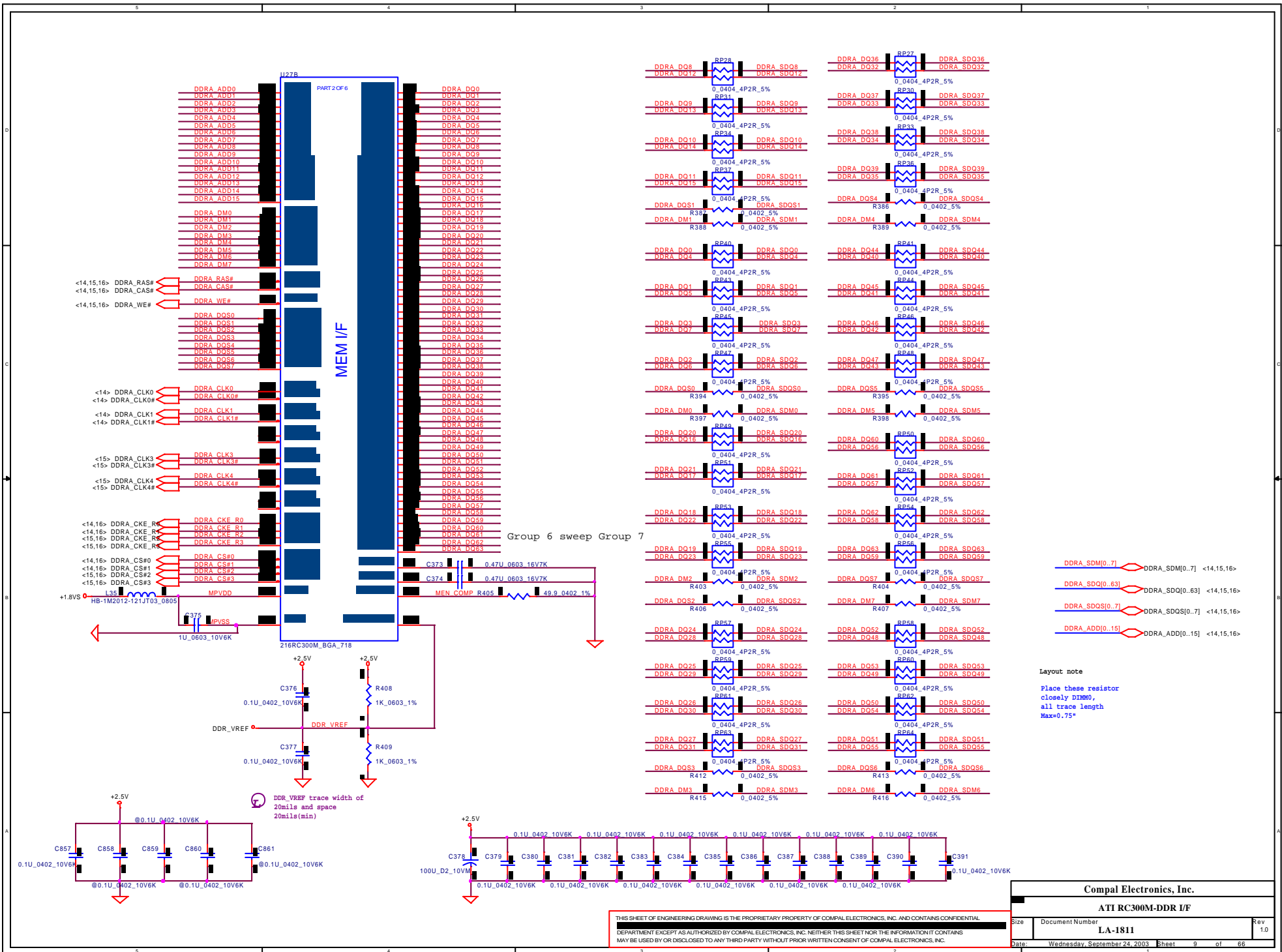




Compal Electronics, Inc.		
ATI RC300M-AGTL+		
Size	Document Number	Rev
	LA-1811	1.0
Date:	Wednesday, September 24, 2003	Sheet 8 of 66

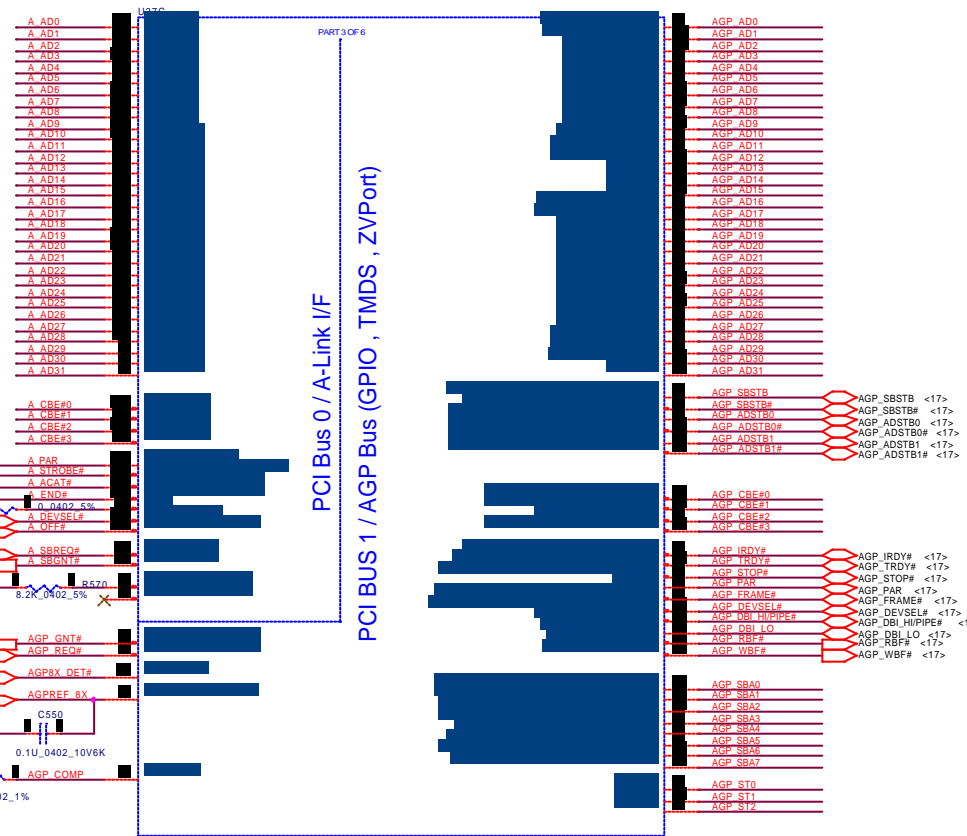
THIS SHEET OF ENGINEERING DRAWING IS THE PROPRIETARY PROPERTY OF COMPAL ELECTRONICS, INC. AND CONTAINS CONFIDENTIAL INFORMATION. IT IS NOT TO BE REPRODUCED, COPIED, OR DISCLOSED TO ANY THIRD PARTY WITHOUT PRIOR WRITTEN CONSENT OF COMPAL ELECTRONICS, INC.



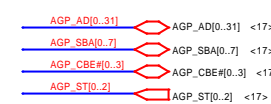
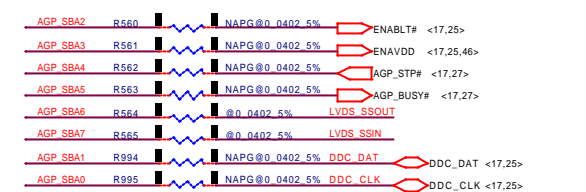


THIS SHEET OF ENGINEERING DRAWING IS THE PROPRIETARY PROPERTY OF COMPAL ELECTRONICS, INC. AND CONTAINS CONFIDENTIAL INFORMATION. DEPARTMENT EXCEPT AS AUTHORIZED BY COMPAL ELECTRONICS, INC. NEITHER THIS SHEET NOR THE INFORMATION IT CONTAINS MAY BE USED BY OR DISCLOSED TO ANY THIRD PARTY WITHOUT PRIOR WRITTEN CONSENT OF COMPAL ELECTRONICS, INC.

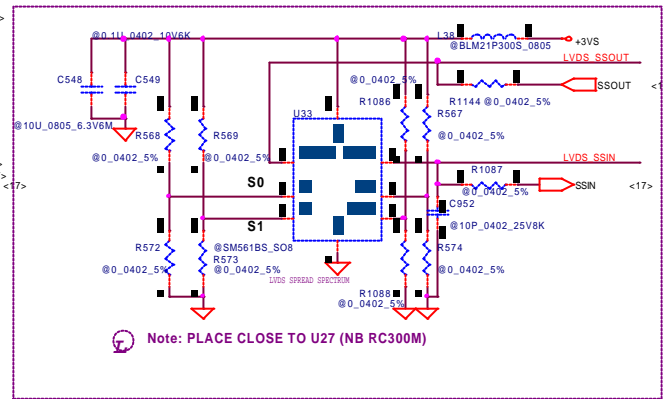
<13,26> A\_AD[0..31] A\_AD[0..31]  
 <13,26> A\_CBE#[0..3] A\_CBE#[0..3]



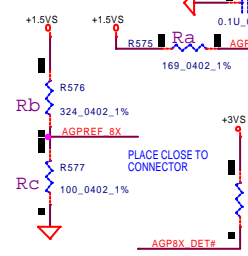
AGPAND LVDS MIXED SIGNALS



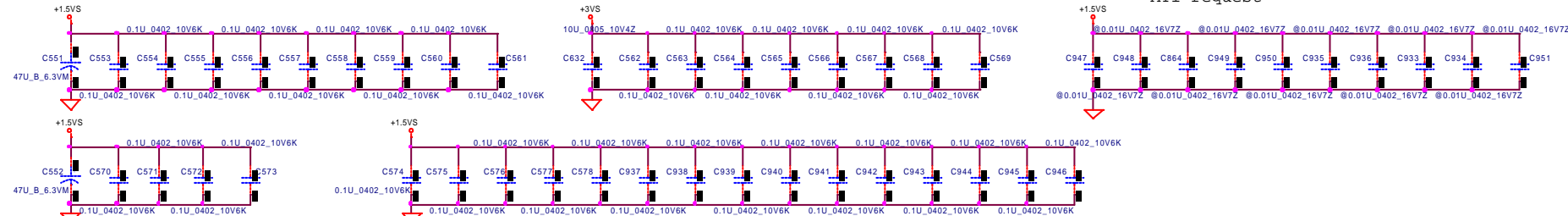
PIR BOM 92.06.23



	8X(M9+M10@)	4X(NAGP@)
Ra	169_0402_1%	52.1_0402_1%
Rb	324_0402_1%	1K_0402_1%
Rc	100_0402_1%	1K_0402_1%



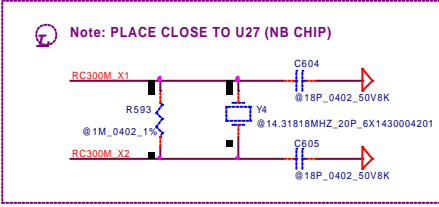
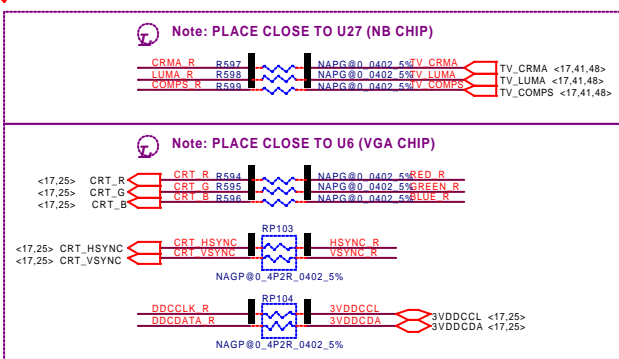
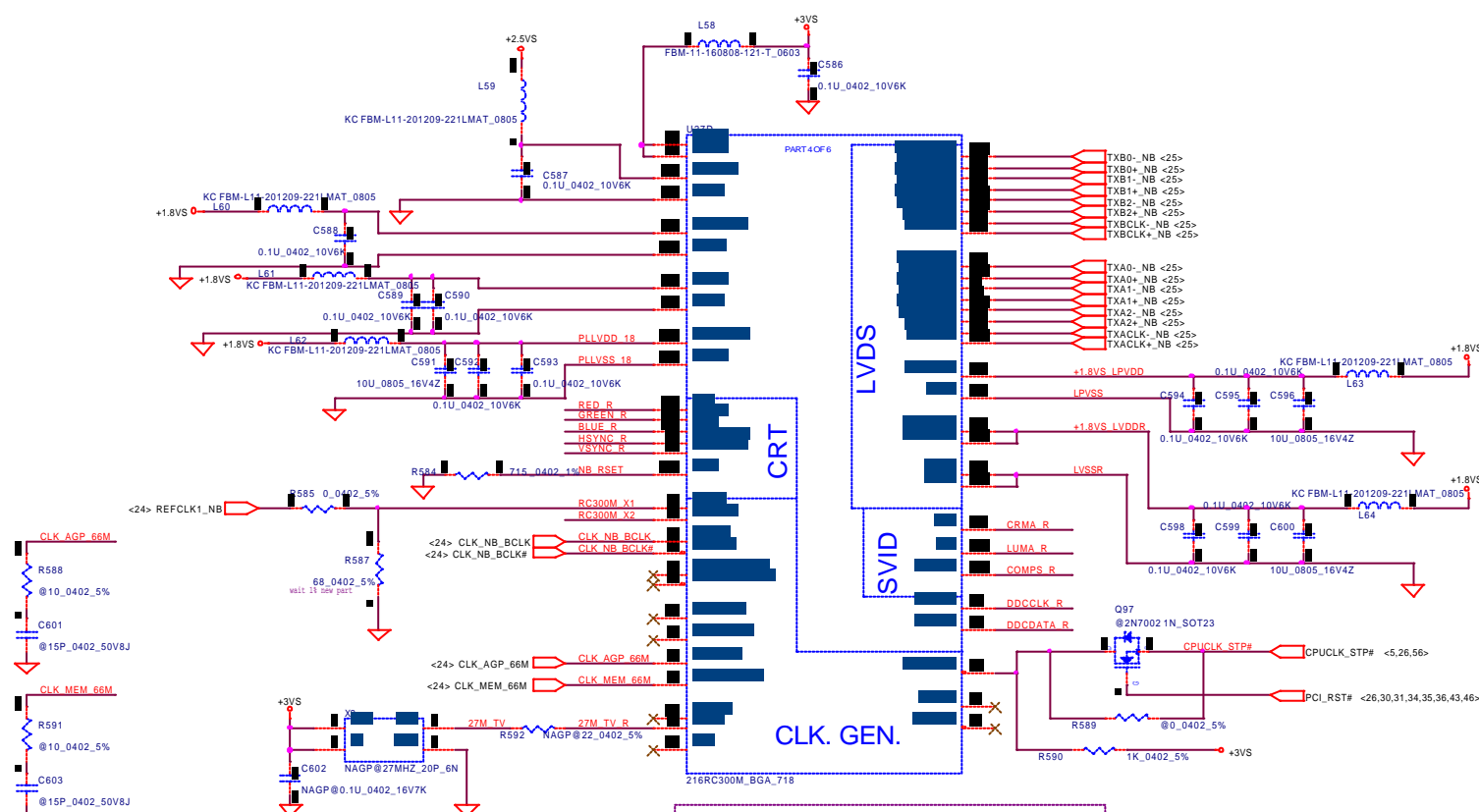
ATI request



Note: PLACE CLOSE TO U27 (NB RC300M)

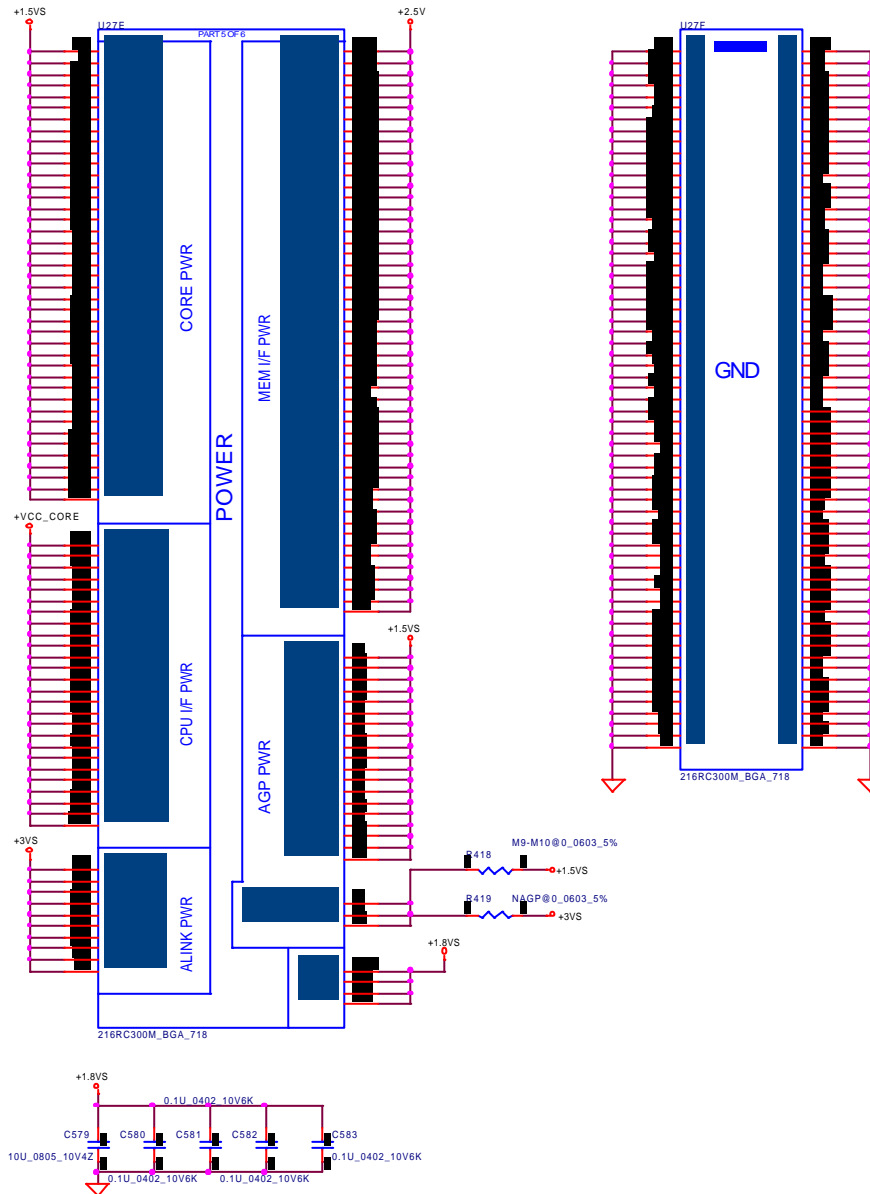
Compal Electronics, Inc.  
 ATI RC300M-AGP, ALINK BUS  
 Size Document Number  
 LA-1811  
 Date: Wednesday, September 24, 2003 Sheet 10 of 66

THIS SHEET OF ENGINEERING DRAWING IS THE PROPRIETARY PROPERTY OF COMPAL ELECTRONICS, INC. AND CONTAINS CONFIDENTIAL INFORMATION. IT IS TO BE USED BY OR DISCLOSED TO ANY THIRD PARTY WITHOUT PRIOR WRITTEN CONSENT OF COMPAL ELECTRONICS, INC.



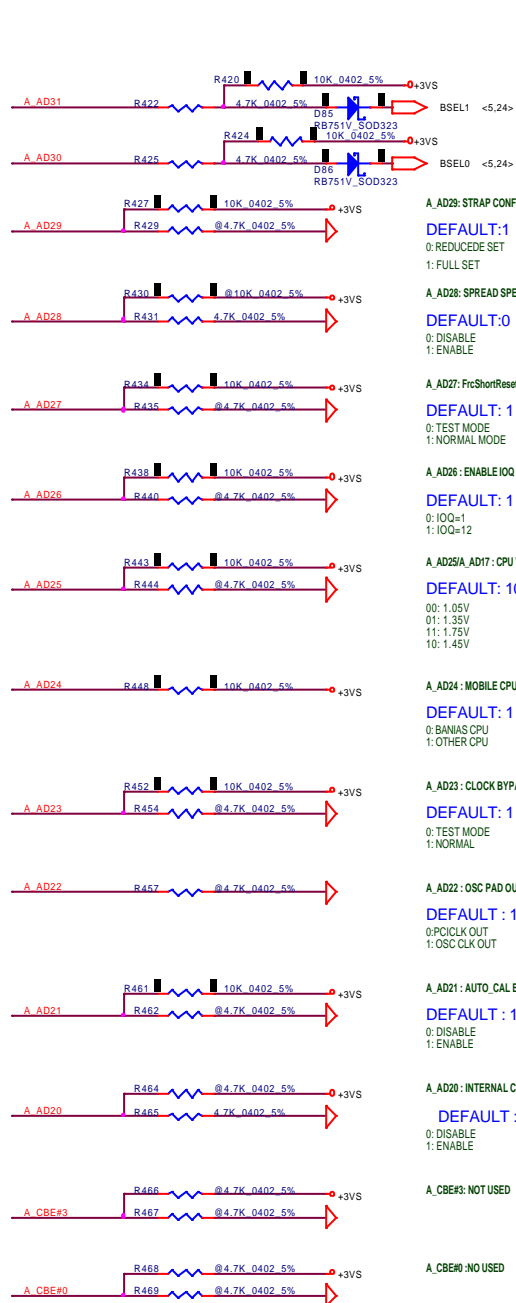
THIS SHEET OF ENGINEERING DRAWING IS THE PROPRIETARY PROPERTY OF COMPAL ELECTRONICS, INC. AND CONTAINS CONFIDENTIAL INFORMATION. DEPARTMENT EXCEPT AS AUTHORIZED BY COMPAL ELECTRONICS, INC. NEITHER THIS SHEET NOR THE INFORMATION IT CONTAINS MAY BE USED BY OR DISCLOSED TO ANY THIRD PARTY WITHOUT PRIOR WRITTEN CONSENT OF COMPAL ELECTRONICS, INC.

Compal Electronics, Inc.		
ATI RC300M-VIDEO I/F		
Size	Document Number	Rev
	LA-1811	1.0
Date:	Wednesday, September 24, 2003	Sheet 11 of 66



THIS SHEET OF ENGINEERING DRAWING IS THE PROPRIETARY PROPERTY OF COMPAL ELECTRONICS, INC. AND CONTAINS CONFIDENTIAL INFORMATION. ANY REPRODUCTION OR DISCLOSURE OF THIS SHEET OR THE INFORMATION IT CONTAINS WITHOUT THE WRITTEN CONSENT OF COMPAL ELECTRONICS, INC. IS STRICTLY PROHIBITED.

Compal Electronics, Inc.		
ATI RC300M-POWER		
Size	Document Number	Rev
	LA-1811	1.0
Date:	Wednesday, September 24, 2003	Sheet 12 of 66



<10,26> A\_AD[0..31]  $\leftrightarrow$  A\_AD[0..31]  
 <10,26> A\_CBE#[0..3]  $\leftrightarrow$  A\_CBE#[0..3]

A\_AD[31..30]: FSB CLK SPEED  
**DEFAULT: 01**  
 00: 100 MHZ  
 01: 133 MHZ  
 10: 200MHZ  
 11: 166 MHZ

A\_AD29: STRAP CONFIGURATION  
**DEFAULT: 1**  
 0: REDUCED SET  
 1: FULL SET

A\_AD28: SPREAD SPECTRUM ENABLE  
**DEFAULT: 0**  
 0: DISABLE  
 1: ENABLE

A\_AD27: FrcShortReset#  
**DEFAULT: 1**  
 0: TEST MODE  
 1: NORMAL MODE

A\_AD26: ENABLE IOQ  
**DEFAULT: 1**  
 0: IOQ=1  
 1: IOQ=12

A\_AD25/A\_AD17: CPU VOLTAGE[1..0]  
**DEFAULT: 10**  
 AD25=1 DESTOP CPU  
 AD25=0 MOBILE CPU  
 AD17--DON'T CARE  
 00: 1.05V  
 01: 1.35V  
 11: 1.75V  
 10: 1.45V

A\_AD24: MOBILE CPU SELECT  
**DEFAULT: 1**  
 0: BANIAS CPU  
 1: OTHER CPU

A\_AD23: CLOCK BYPASS DISABLE  
**DEFAULT: 1**  
 0: TEST MODE  
 1: NORMAL

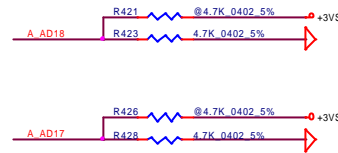
A\_AD22: OSC PAD OUTPUT PClCK  
**DEFAULT: 1**  
 0: PClCK OUT  
 1: OSC CLK OUT

A\_AD21: AUTO\_CAL ENABLE  
**DEFAULT: 1**  
 0: DISABLE  
 1: ENABLE

A\_AD20: INTERNAL CLK GEN ENABLE  
**DEFAULT: 0**  
 0: DISABLE  
 1: ENABLE

A\_CBE#3: NOT USED

A\_CBE#0: NO USED



A\_AD18: ENABLE PHASE CALIBRATION  
**DEFAULT: 0**  
 0: DISABLE  
 1: ENABLE

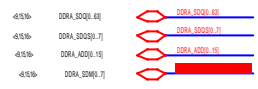
A\_AD25/A\_AD17: CPU VOLTAGE[1..0]  
**DEFAULT: 0**  
 00: 1.05V  
 01: 1.35V  
 11: 1.75V  
 10: 1.45V



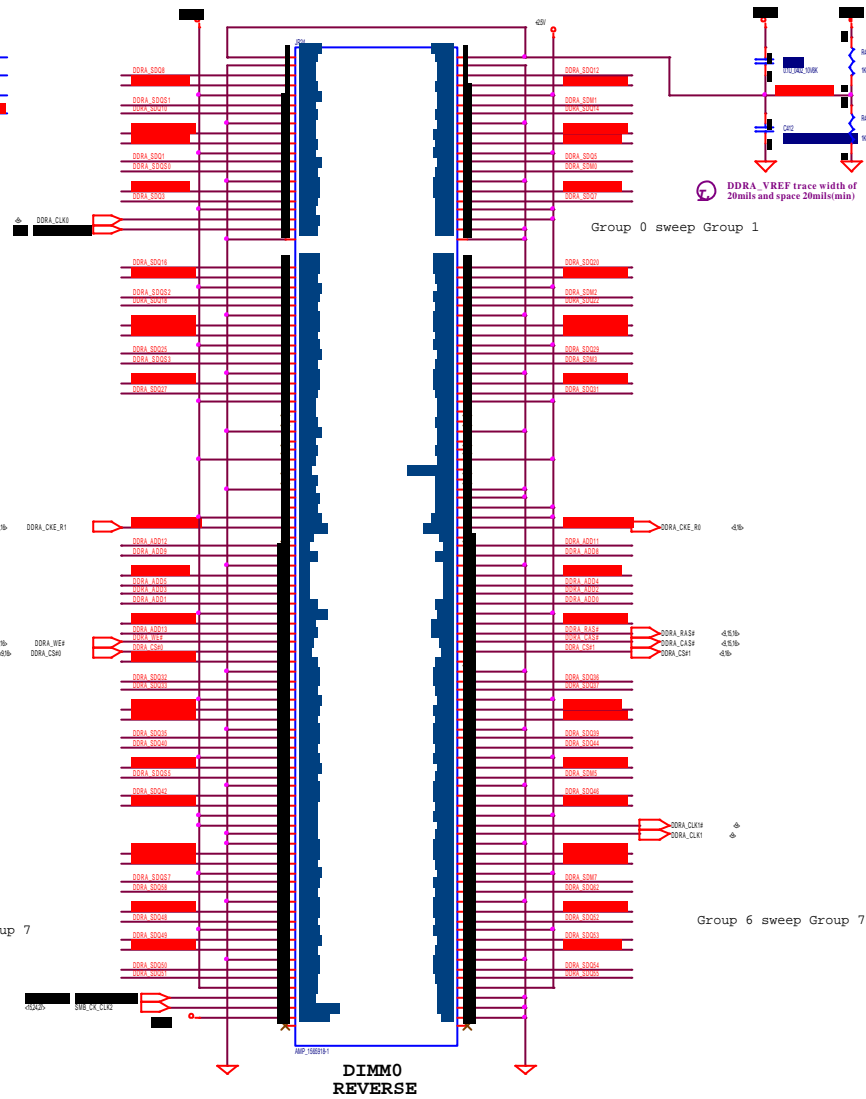
PAR: EXTENDED DEBUG MODE  
**DEFAULT: 1**  
 0: DEBUG MODE  
 1: NORMAL

THIS SHEET OF ENGINEERING DRAWING IS THE PROPRIETARY PROPERTY OF COMPAL ELECTRONICS, INC. AND CONTAINS CONFIDENTIAL INFORMATION. DEPARTMENT EXCEPT AS AUTHORIZED BY COMPAL ELECTRONICS, INC. NEITHER THIS SHEET NOR THE INFORMATION IT CONTAINS MAY BE USED BY OR DISCLOSED TO ANY THIRD PARTY WITHOUT PRIOR WRITTEN CONSENT OF COMPAL ELECTRONICS, INC.

Compal Electronics, Inc.		
ATI RC300M-SYSTEM STRAP		
Size	Document Number	Rev
	LA-1811	1.0
Date:	Wednesday, September 24, 2003	Sheet 13 of 66



Group 0 sweep Group 1



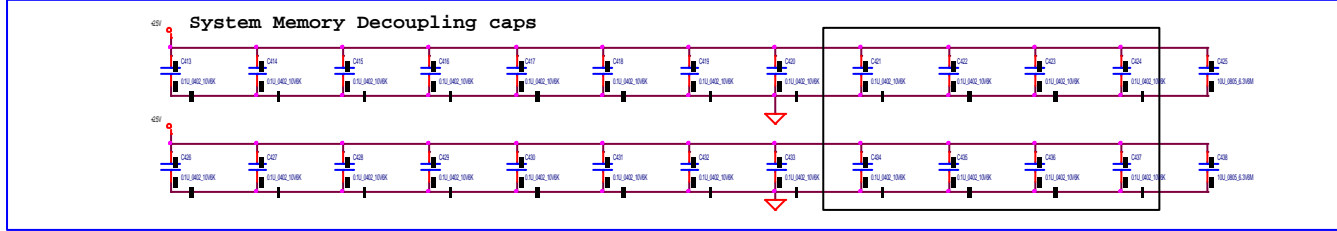
DDR\*\_REF trace width of 20mils and space 20mils(min)

Group 0 sweep Group 1

Group 6 sweep Group 7

Group 6 sweep Group 7

DIMMO  
REVERSE



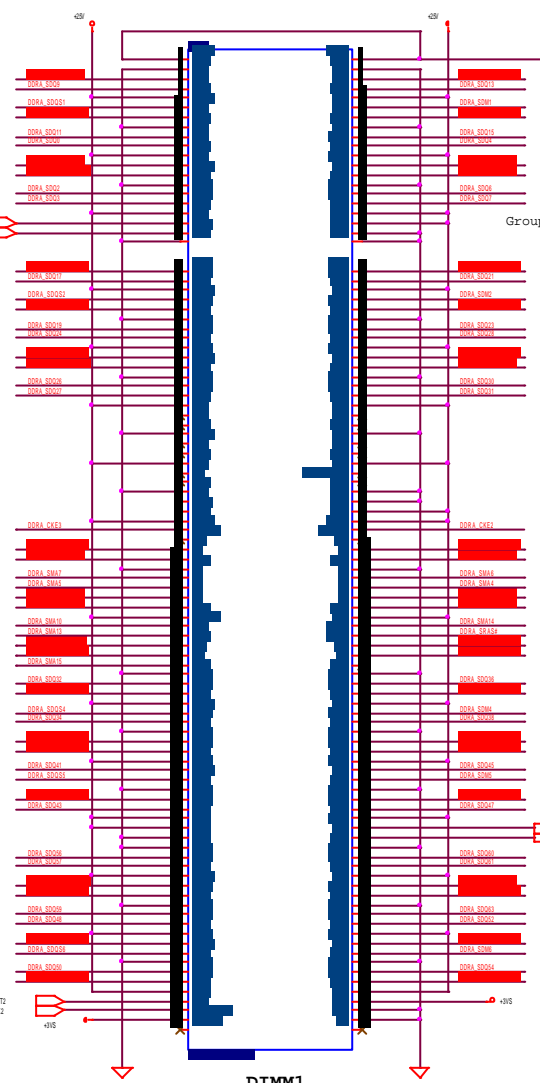
<141b DDR4\_S000[6]     DDR4\_S000[6E]  
 <141b DDR4\_S000[7]     DDR4\_S000[7E]  
 <141b DDR4\_ADD[15]     DDR4\_S000[7E]

Group 0 sweep Group 1

<141b DDR4\_CLK3  
 <141b DDR4\_CLK9

DDR4\_VREF trace width of  
 20mils and space  
 20mils(min)

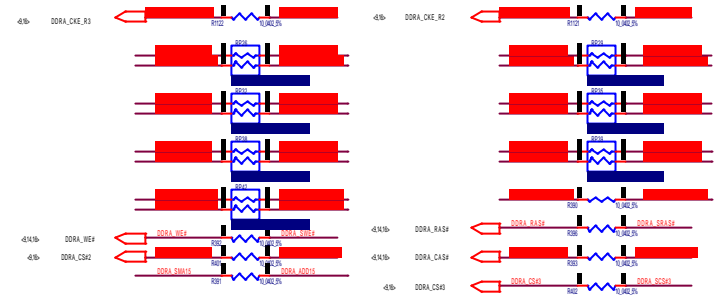
Group 0 sweep Group 1



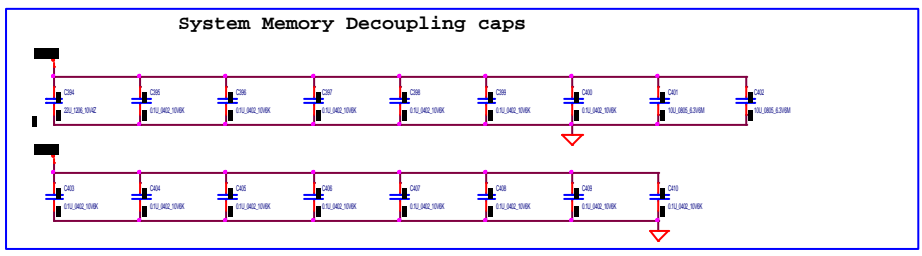
DDR4\_CLK4

Group 6 sweep Group 7

<142b SIB\_CLK\_DAT2  
 <142b SIB\_CLK\_CLK2  
 <142b <142b

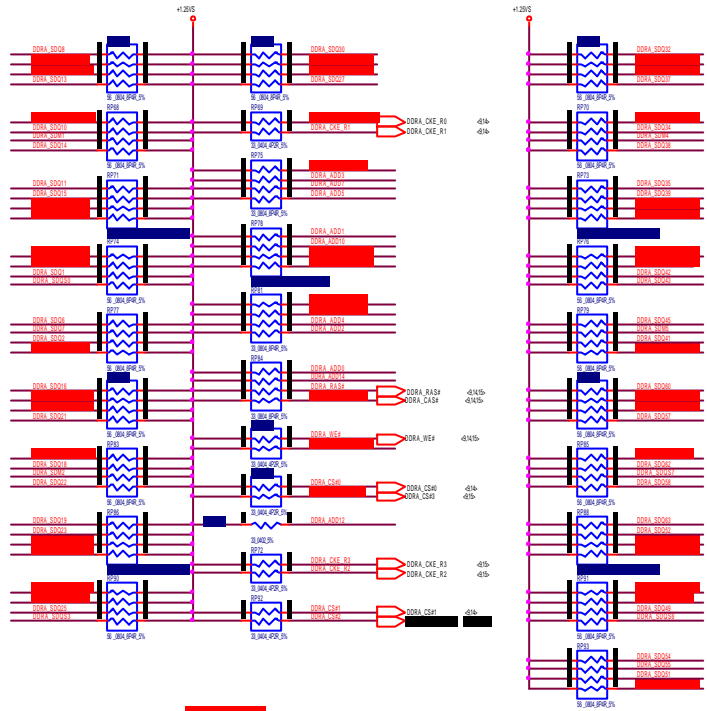


System Memory Decoupling caps

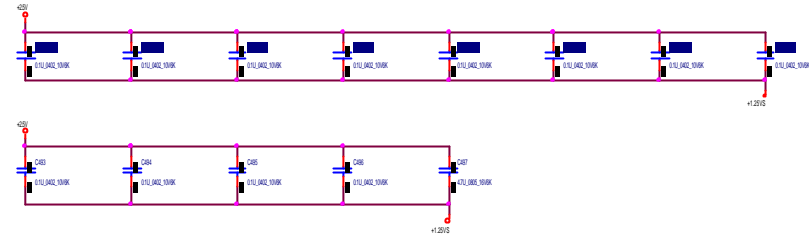
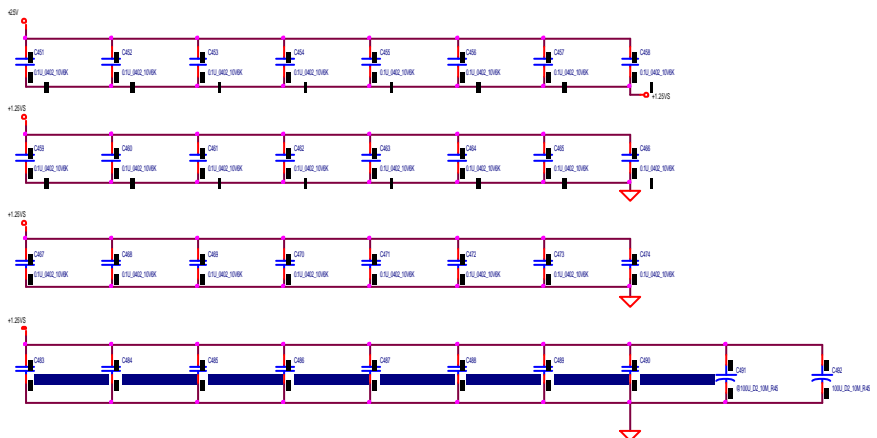


Compal Electronics, Inc.  
 DDR-SODIMM SLOT2  
 LA-1811  
 11/2010, September 24, 2011

DDR Termination resistors & Decoupling caps

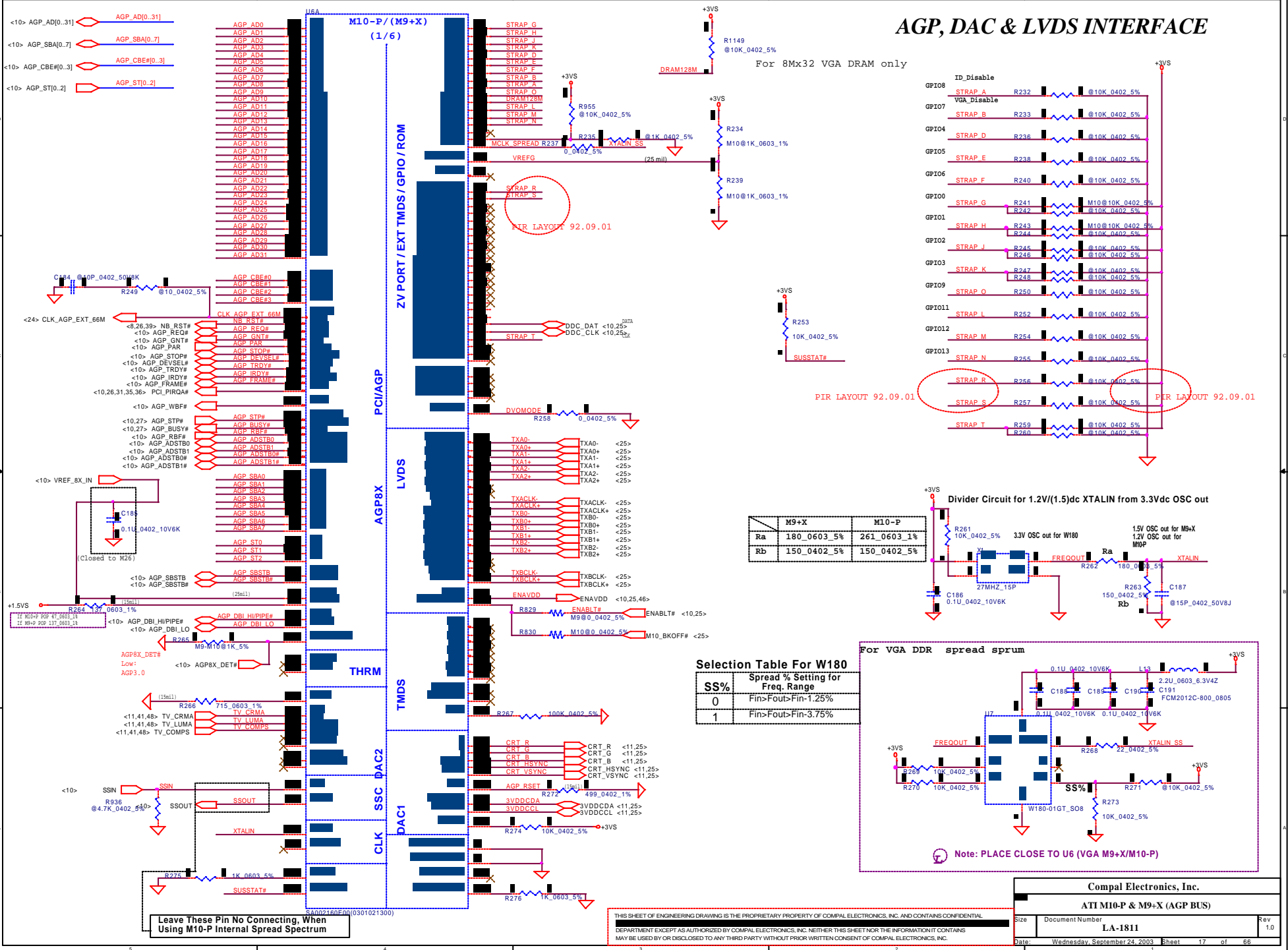


- 4145- DQSI\_0000 [3]
- 4145- DQSI\_0001 [7]
- 4145- DQSI\_0002 [1]
- 4145- DQSI\_0003 [7]

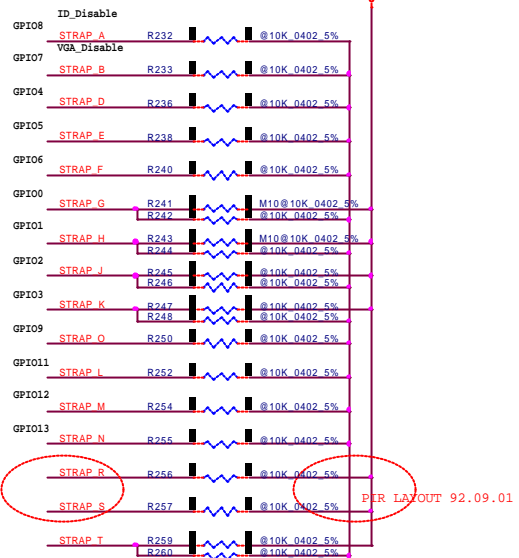




# AGP, DAC & LVDS INTERFACE



For 8Mx32 VGA DRAM only

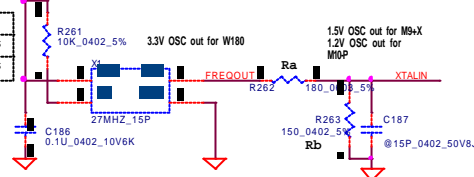


PIR LAYOUT 92.09.01

PIR LAYOUT 92.09.01

	M9+X	M10-P
Ra	180_0603_5%	261_0603_1%
Rb	150_0402_5%	150_0402_5%

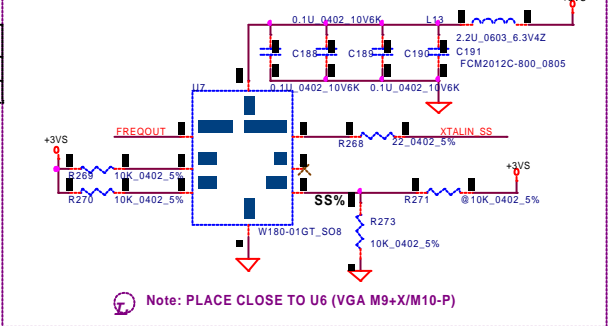
Divider Circuit for 1.2V(1.5)dc XTALIN from 3.3Vdc OSC out



Selection Table For W180

SS%	Spread % Setting for Freq. Range
0	Fin>Fout>Fin-T.25%
1	Fin>Fout>Fin-3.75%

For VGA DDR spread sprum



Note: PLACE CLOSE TO U6 (VGA M9+X/M10-P)

Leave These Pin No Connecting, When Using M10-P Internal Spread Spectrum

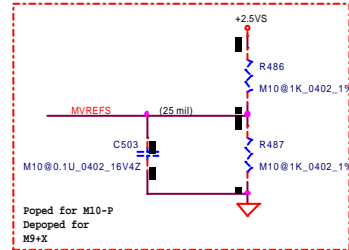
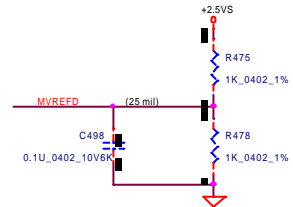
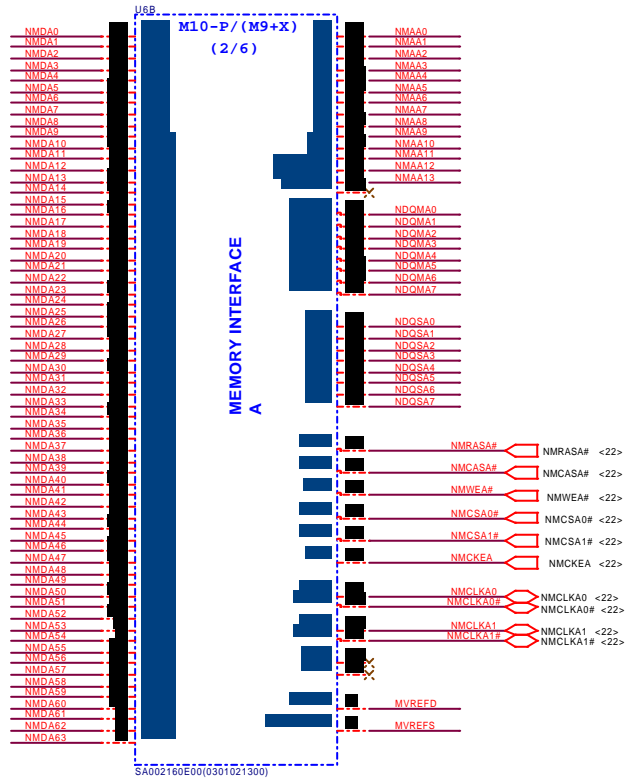
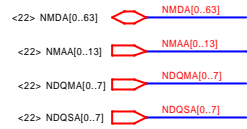
THIS SHEET OF ENGINEERING DRAWING IS THE PROPRIETARY PROPERTY OF COMPAL ELECTRONICS, INC. AND CONTAINS CONFIDENTIAL INFORMATION EXCEPT AS AUTHORIZED BY COMPAL ELECTRONICS, INC. NEITHER THIS SHEET NOR THE INFORMATION IT CONTAINS MAY BE USED BY OR DISCLOSED TO ANY THIRD PARTY WITHOUT PRIOR WRITTEN CONSENT OF COMPAL ELECTRONICS, INC.

Compal Electronics, Inc.  
**ATI M10-P & M9+X (AGP BUS)**

Size	Document Number	Rev
	LA-1811	1.0

Date: Wednesday, September 24, 2003 Sheet 17 of 66




# MEMORY INTERFACE A

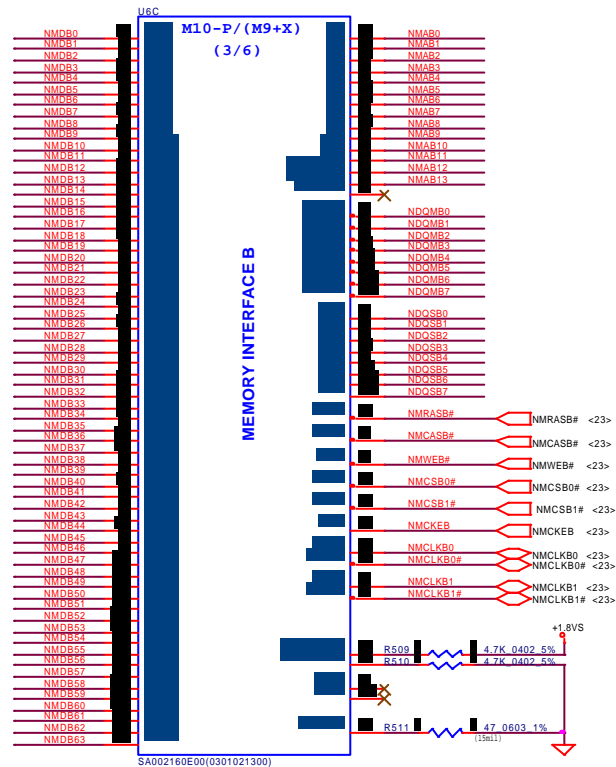


THIS SHEET OF ENGINEERING DRAWING IS THE PROPRIETARY PROPERTY OF COMPAL ELECTRONICS, INC. AND CONTAINS CONFIDENTIAL INFORMATION. IT IS NOT TO BE REPRODUCED, COPIED, OR DISCLOSED TO ANY THIRD PARTY WITHOUT PRIOR WRITTEN CONSENT OF COMPAL ELECTRONICS, INC.

Compal Electronics, Inc.		
ATI M10-P/M9+X DDR-A		
Size	Document Number	Rev
	LA-1811	1.0
Date:	Wednesday, September 24, 2003	
Sheet	18	of 66

# MEMORY INTERFACE B

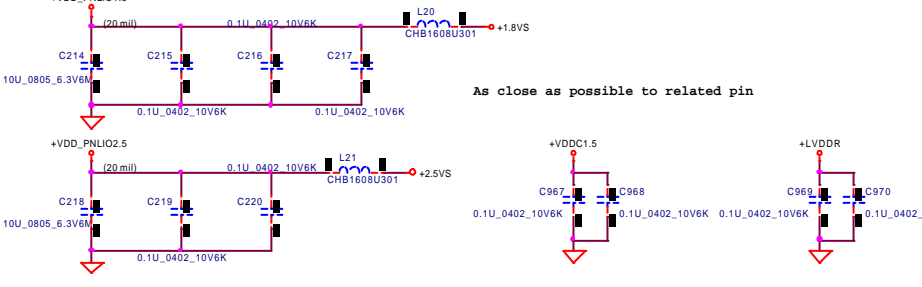
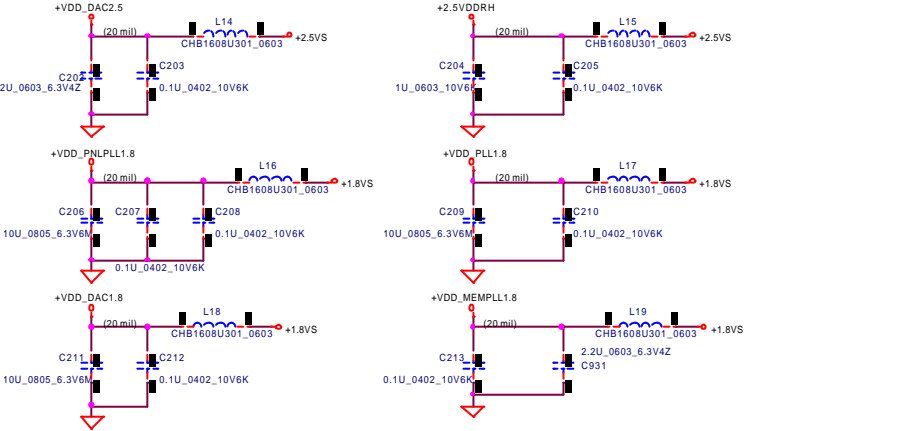
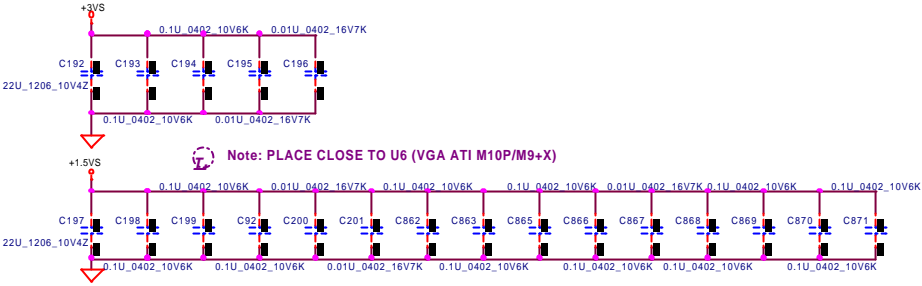
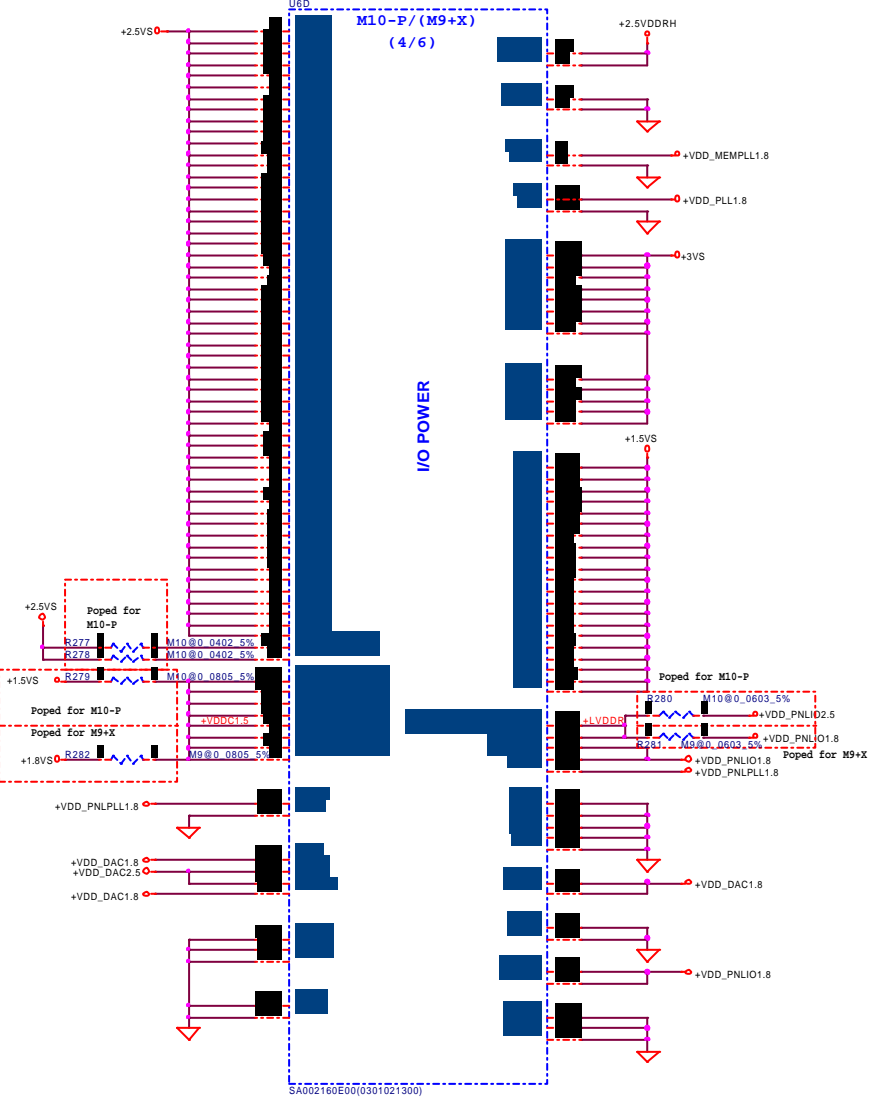
- <23> NMDB[0..63]  NMDB[0..63]
- <23> NMAB[0..13]  NMAB[0..13]
- <23> NDOMB[0..7]  NDOMB[0..7]
- <23> NDOSB[0..7]  NDOSB[0..7]



Compal Electronics, Inc.		
ATI M10-P/M9+X DDR-B		
Size	Document Number	Rev
	LA-1811	1.0
Date:	Wednesday, September 24, 2003	Sheet 19 of 66

THIS SHEET OF ENGINEERING DRAWING IS THE PROPRIETARY PROPERTY OF COMPAL ELECTRONICS, INC. AND CONTAINS CONFIDENTIAL INFORMATION. IT IS TO BE USED BY OR DISCLOSED TO ANY THIRD PARTY WITHOUT PRIOR WRITTEN CONSENT OF COMPAL ELECTRONICS, INC.

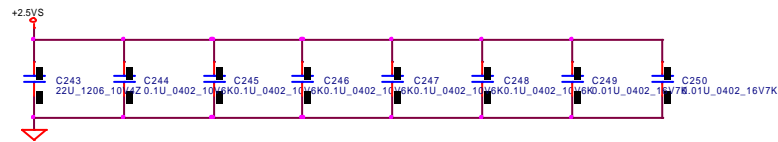
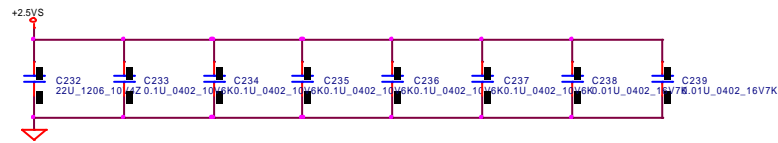
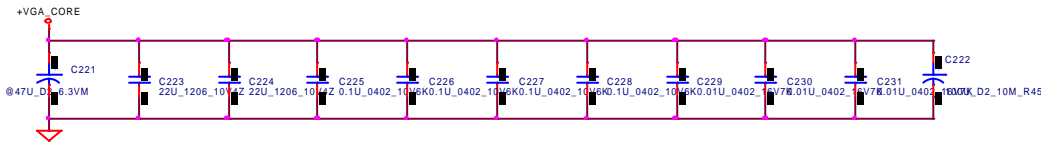
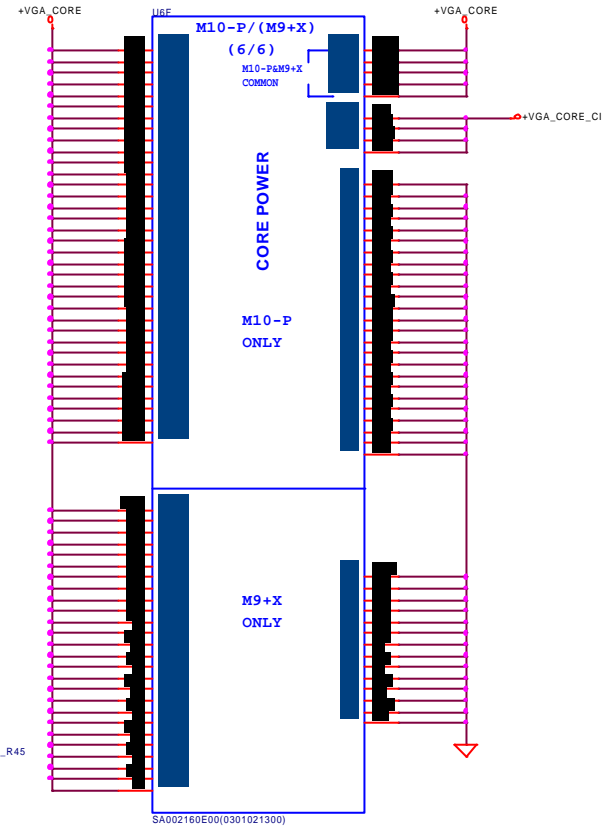
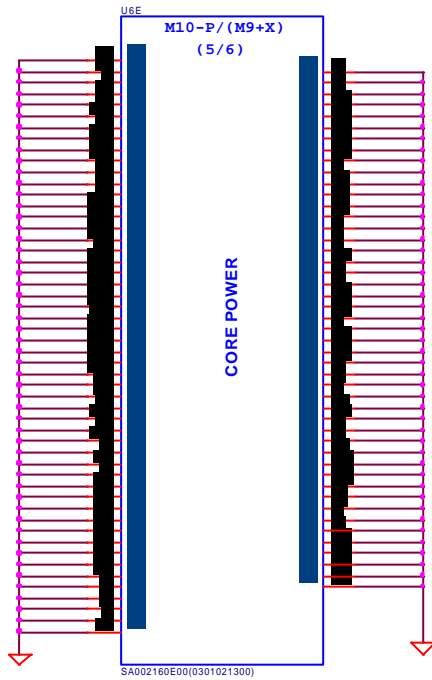
# POWER INTERFACE



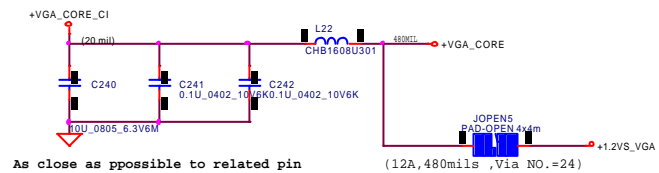
THIS SHEET OF ENGINEERING DRAWING IS THE PROPRIETARY PROPERTY OF COMPAL ELECTRONICS, INC. AND CONTAINS CONFIDENTIAL INFORMATION. IT IS TO BE KEPT AS A CONFIDENTIAL DOCUMENT AND NOT TO BE DISCLOSED TO ANY THIRD PARTY WITHOUT PRIOR WRITTEN CONSENT OF COMPAL ELECTRONICS, INC.

Compal Electronics, Inc.		
ATI M10-PM9+X POWER-A		
Size	Document Number	Rev
	LA-1811	1.0
Date:	Wednesday, September 24, 2003	Sheet 20 of 66

# POWER INTERFACE



As close as possible to related pin

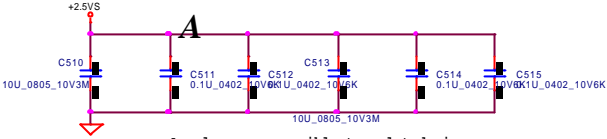
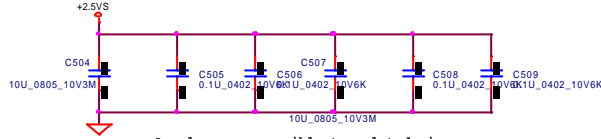


As close as possible to related pin

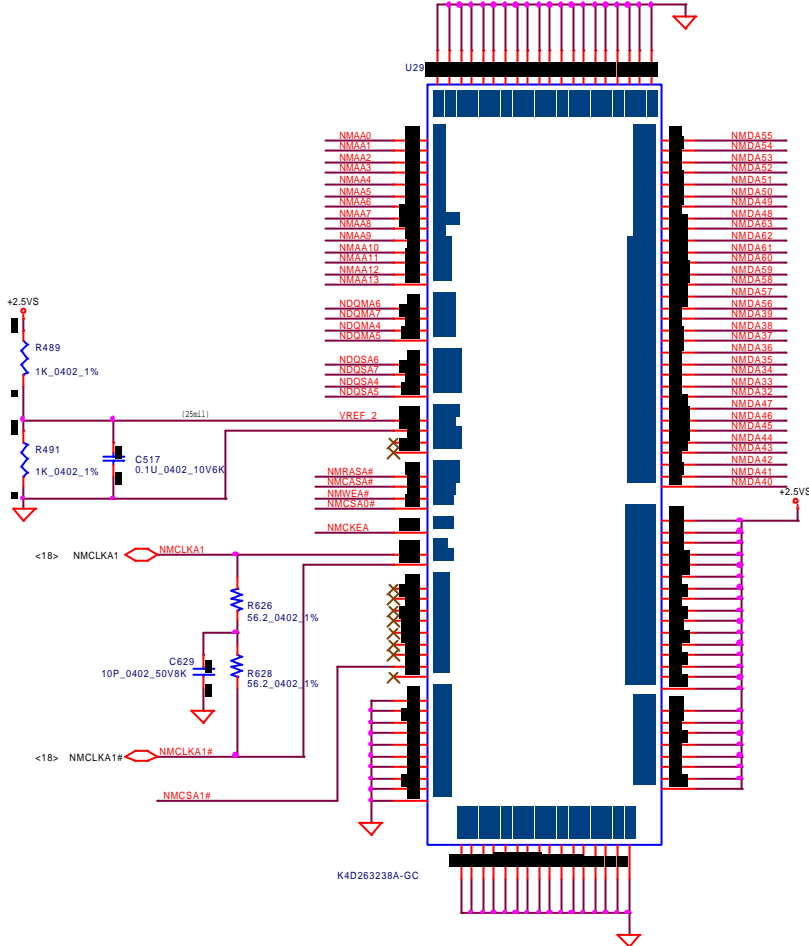
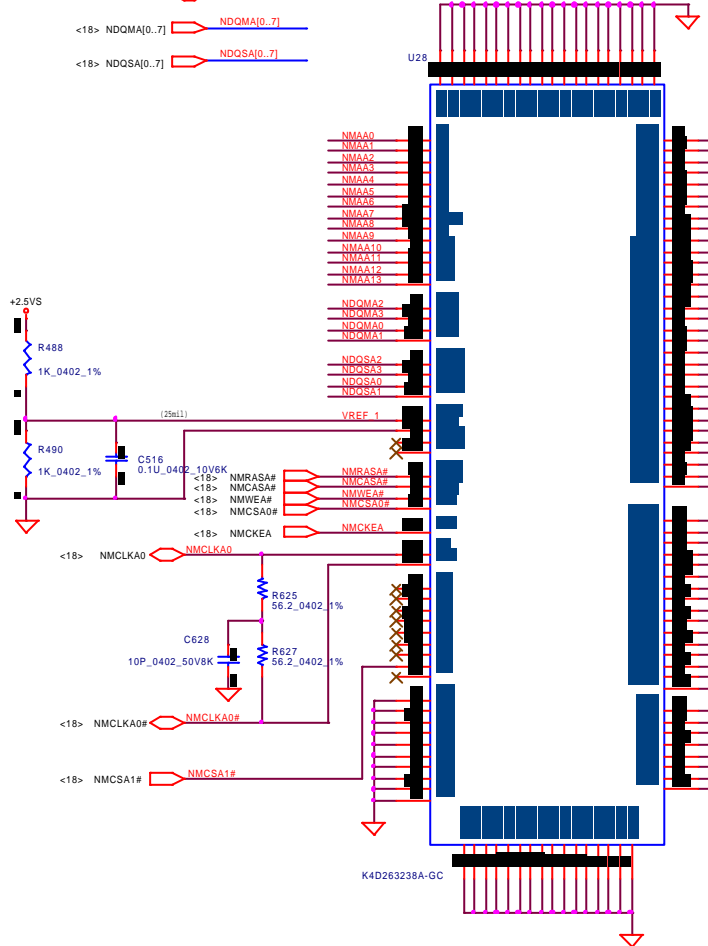
Compal Electronics, Inc.		
ATI M10-P/M9+X POWER-B		
Size	Document Number	Rev
	LA-1811	1.0
Date:	Wednesday, September 24, 2003	Sheet 21 of 66

THIS SHEET OF ENGINEERING DRAWING IS THE PROPRIETARY PROPERTY OF COMPAL ELECTRONICS, INC. AND CONTAINS CONFIDENTIAL INFORMATION. IT IS NOT TO BE REPRODUCED, COPIED, OR DISCLOSED TO ANY THIRD PARTY WITHOUT THE WRITTEN CONSENT OF COMPAL ELECTRONICS, INC.

# VGA DDR FOR CHANNEL



- <18> NMAA[0..13] NMAA[0..13]
- <18> NMDA[0..63] NMDA[0..63]
- <18> NDQMA[0..7] NDQMA[0..7]
- <18> NDQSA[0..7] NDQSA[0..7]

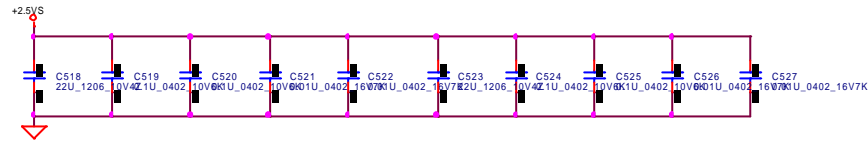


THIS SHEET OF ENGINEERING DRAWING IS THE PROPRIETARY PROPERTY OF COMPAL ELECTRONICS, INC. AND CONTAINS CONFIDENTIAL INFORMATION. DEPARTMENT EXCEPT AS AUTHORIZED BY COMPAL ELECTRONICS, INC. NEITHER THIS SHEET NOR THE INFORMATION IT CONTAINS MAY BE USED BY OR DISCLOSED TO ANY THIRD PARTY WITHOUT PRIOR WRITTEN CONSENT OF COMPAL ELECTRONICS, INC.

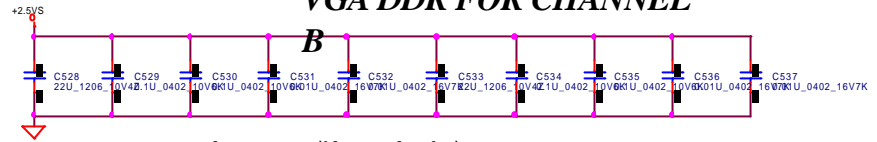
Compal Electronics, Inc.		
VGA DDR FOR CHANNEL A		
Size	Document Number	Rev
	LA-1811	1.0
Date:	Wednesday, September 24, 2003	Sheet 22 of 66

# VGA DDR FOR CHANNEL

## B

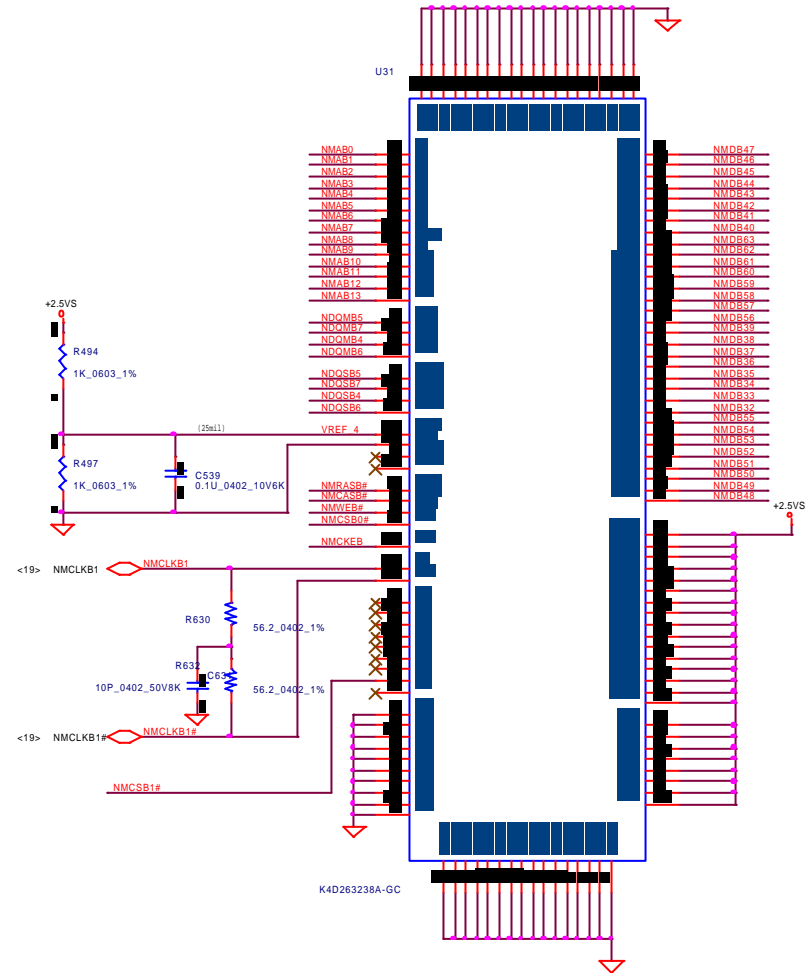
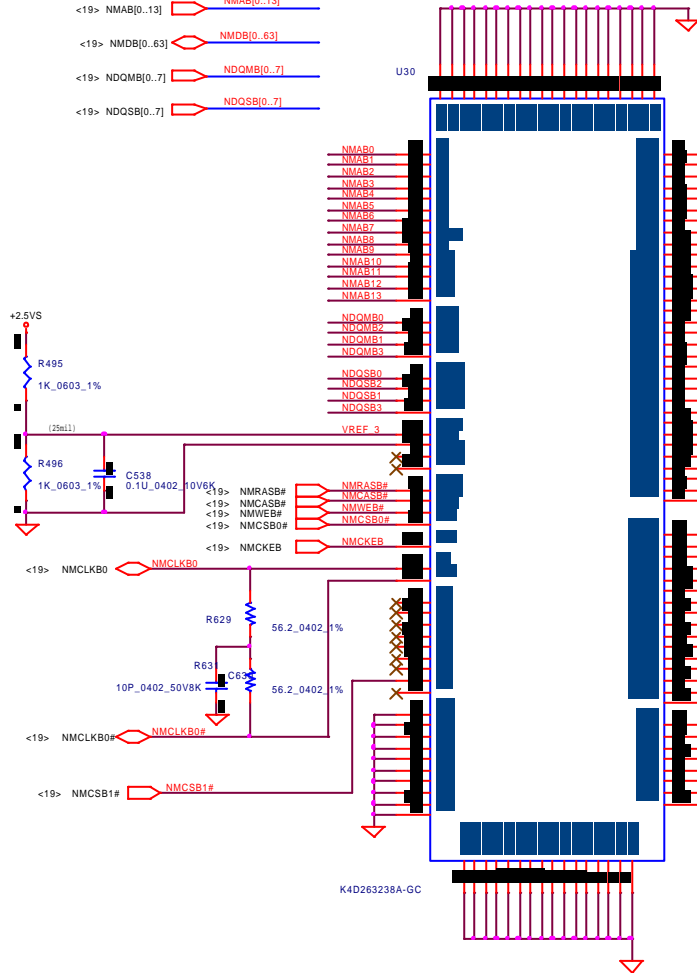


As close as possible to related pin



As close as possible to related pin

- <19> NMAB[0..13] NMAB[0..13]
- <19> NMDB[0..63] NMDB[0..63]
- <19> NDQMB[0..7] NDQMB[0..7]
- <19> NDQSB[0..7] NDQSB[0..7]

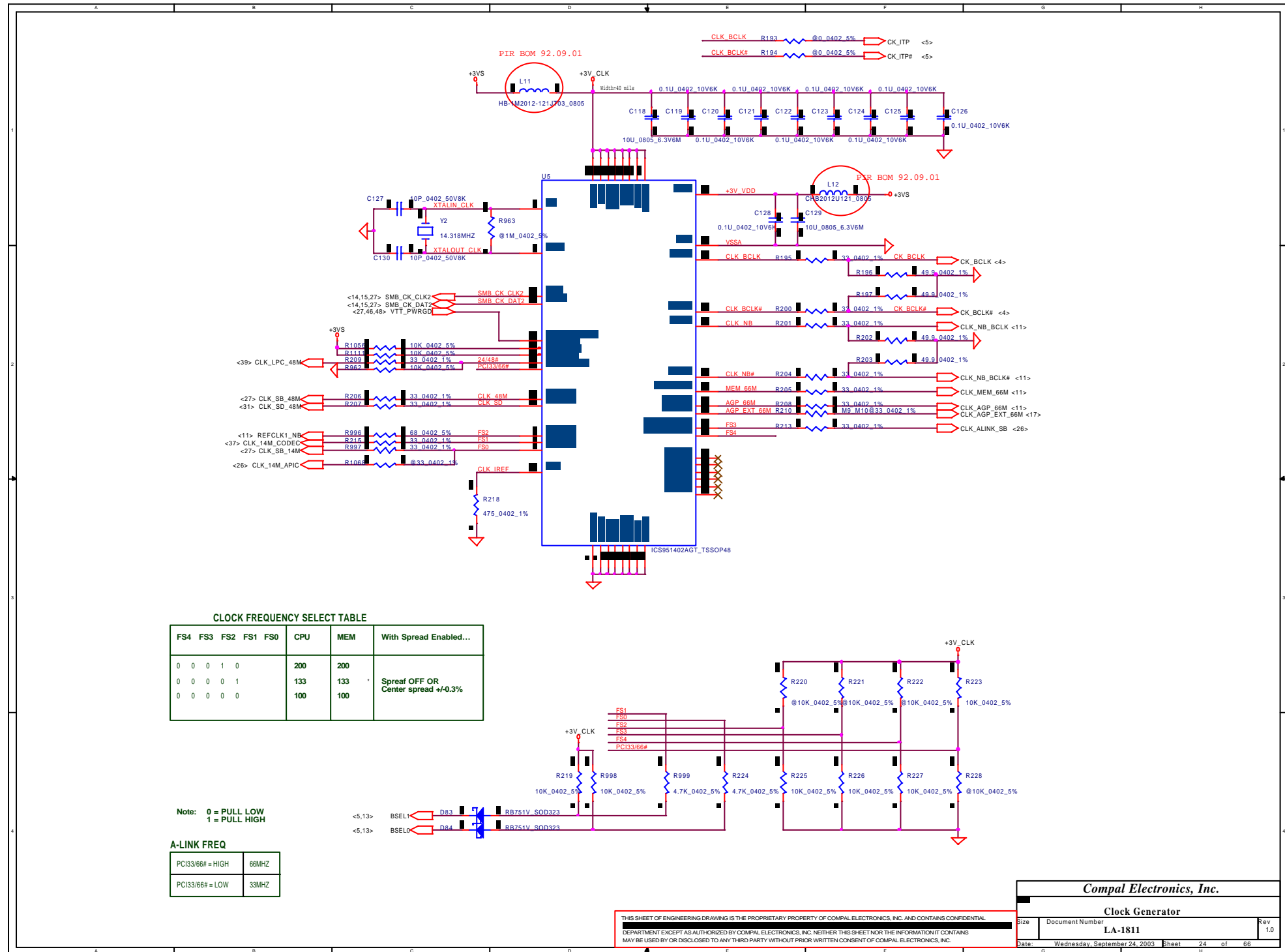


Compal Electronics, Inc.

VGA DDR FOR CHANNEL B

THIS SHEET OF ENGINEERING DRAWING IS THE PROPRIETARY PROPERTY OF COMPAL ELECTRONICS, INC. AND CONTAINS CONFIDENTIAL INFORMATION. IT IS NOT TO BE REPRODUCED, COPIED, OR DISCLOSED TO ANY THIRD PARTY WITHOUT PRIOR WRITTEN CONSENT OF COMPAL ELECTRONICS, INC.

Size	Document Number	Rev
	LA-1811	1.0
Date:	Wednesday, September 24, 2003	Sheet 23 of 66



CLOCK FREQUENCY SELECT TABLE

FS4	FS3	FS2	FS1	FS0	CPU	MEM	With Spread Enabled...
0	0	0	1	0	200	200	Spread OFF OR Center spread +/-0.3%
0	0	0	0	1	133	133	
0	0	0	0	0	100	100	

Note: 0 = PULL LOW  
1 = PULL HIGH

A-LINK FREQ

PCI33/66# = HIGH	66MHZ
PCI33/66# = LOW	33MHZ

THIS SHEET OF ENGINEERING DRAWING IS THE PROPRIETARY PROPERTY OF COMPAL ELECTRONICS, INC. AND CONTAINS CONFIDENTIAL

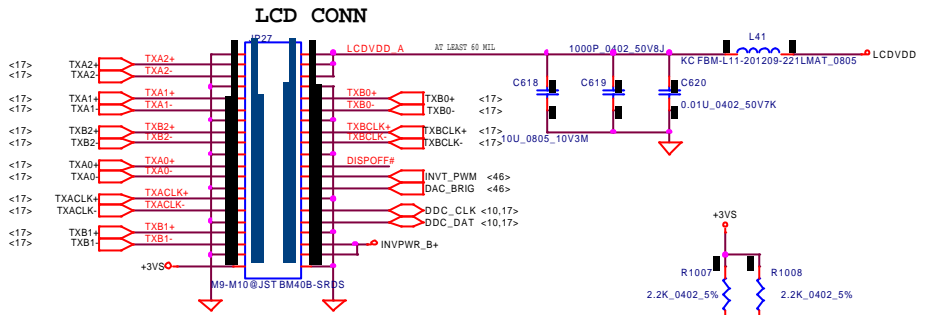
DEPARTMENT EXCEPT AS AUTHORIZED BY COMPAL ELECTRONICS, INC. NEITHER THIS SHEET NOR THE INFORMATION IT CONTAINS  
MAY BE USED BY OR DISCLOSED TO ANY THIRD PARTY WITHOUT PRIOR WRITTEN CONSENT OF COMPAL ELECTRONICS, INC.

**Compal Electronics, Inc.**

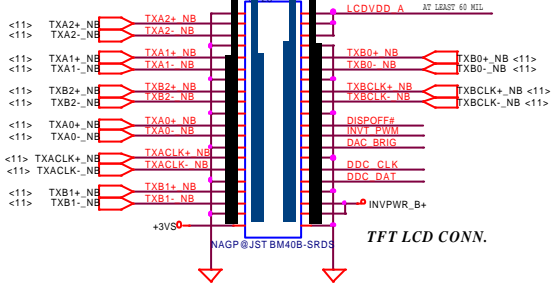
**Clock Generator**

Size	Document Number	Rev
	LA-1811	1.0
Date:	Wednesday, September 24, 2003	
Sheet	24	of 66

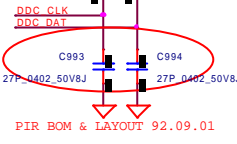




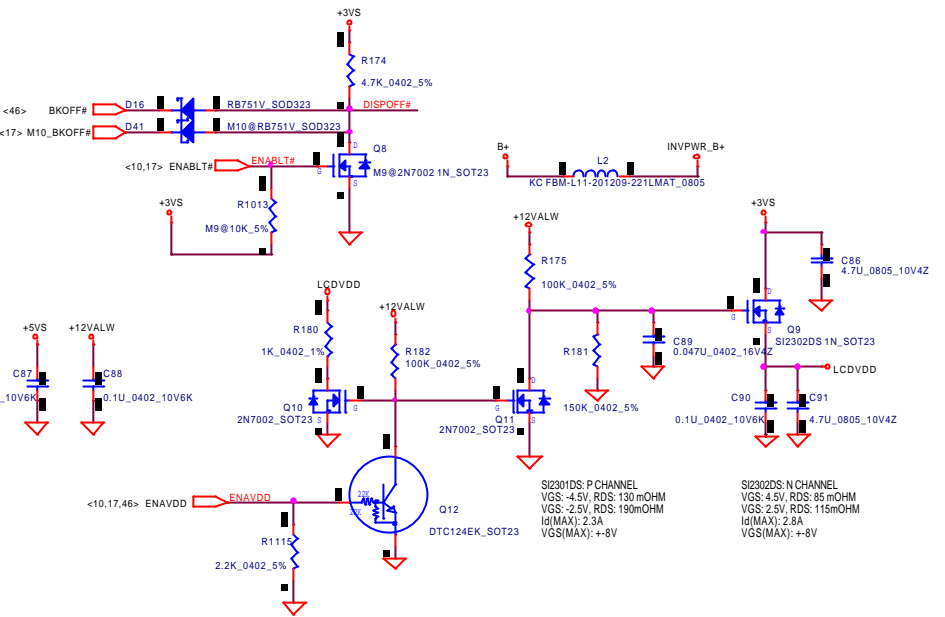
TFT LCD CONN.



TFT LCD CONN.

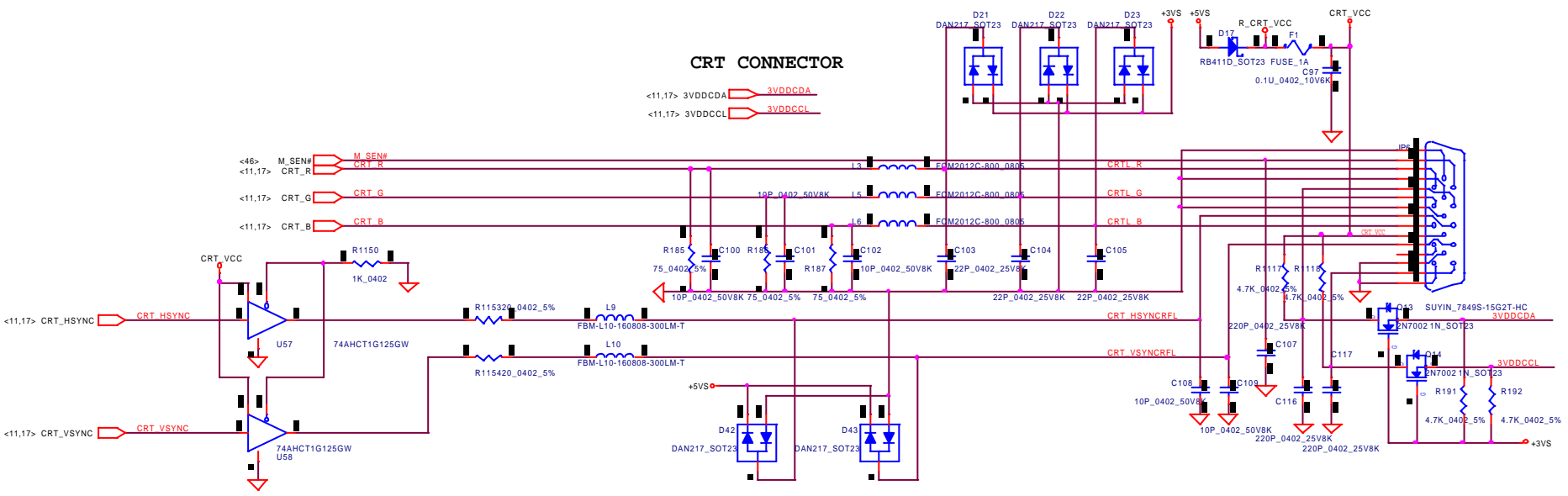


PIR BOM & LAYOUT 92.09.01



CRT CONNECTOR

<11,17> 3VDDCDA 3VDDCDA  
<11,17> 3VDDCCL 3VDDCCL

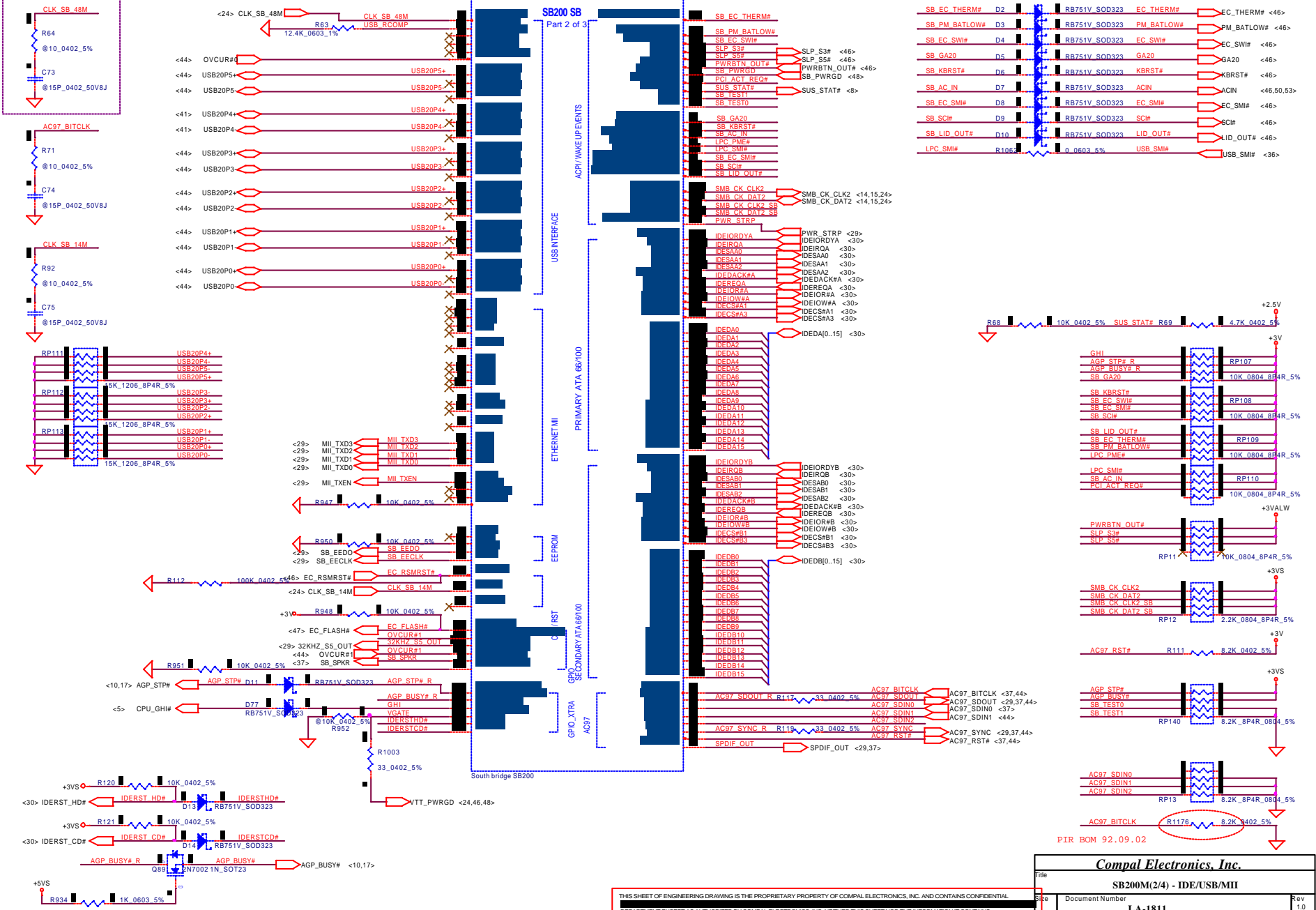


<b>Compal Electronics, Inc.</b>		
<b>LCD,CRT,TV-OUT &amp; Inverter BD CONN.</b>		
Size	Document Number	Rev
	<b>LA-1811</b>	1.0
Date	Wednesday, September 24, 2003 Sheet 25 of 66	

THIS SHEET OF ENGINEERING DRAWING IS THE PROPRIETARY PROPERTY OF COMPAL ELECTRONICS, INC. AND CONTAINS CONFIDENTIAL INFORMATION. DEPARTMENT EXCEPT AS AUTHORIZED BY COMPAL ELECTRONICS, INC. NEITHER THIS SHEET NOR THE INFORMATION IT CONTAINS MAY BE USED BY OR DISCLOSED TO ANY THIRD PARTY WITHOUT PRIOR WRITTEN CONSENT OF COMPAL ELECTRONICS, INC.



Note: Place close to U3 (ATI SB) For ATI USB2.0 only.



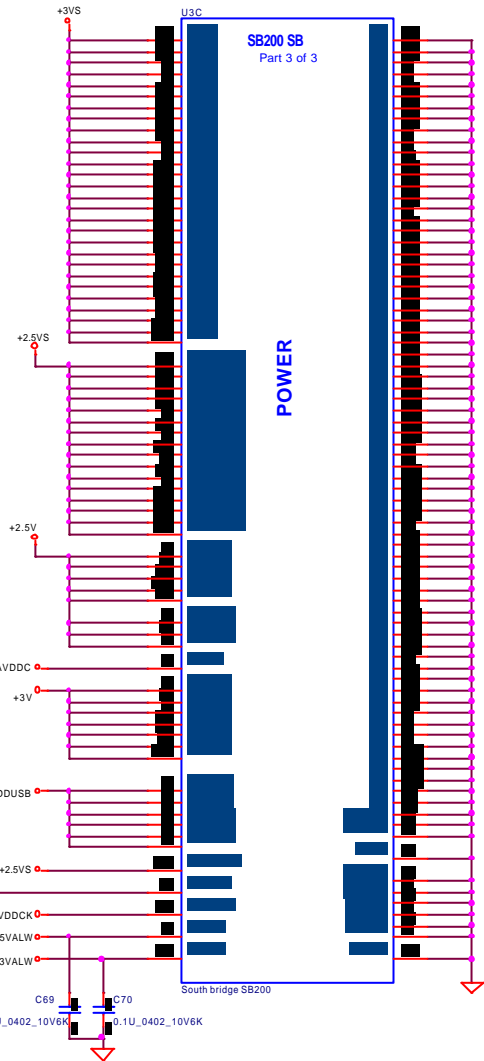
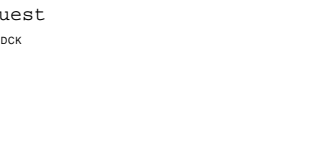
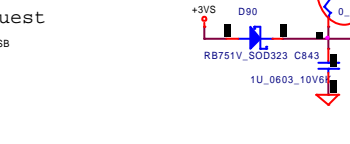
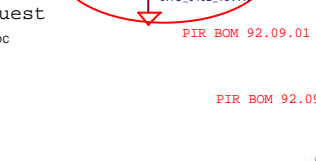
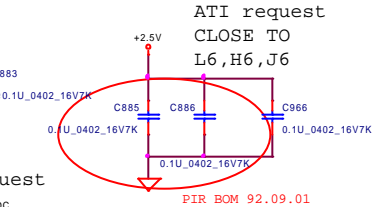
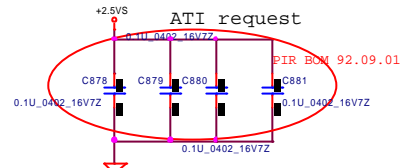
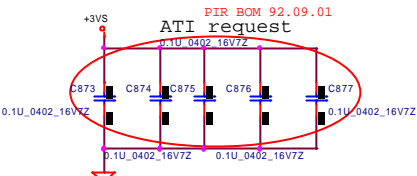
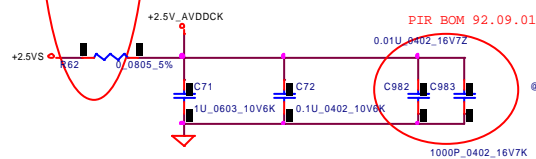
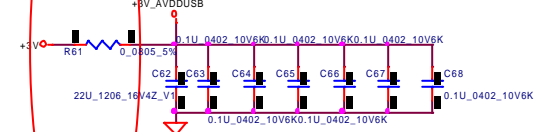
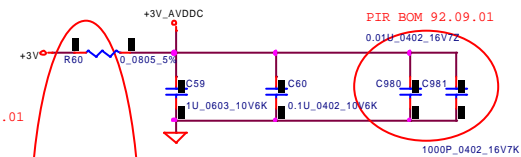
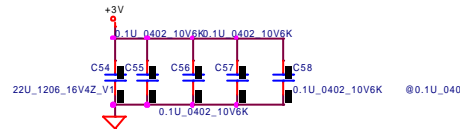
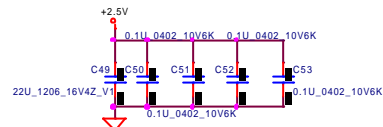
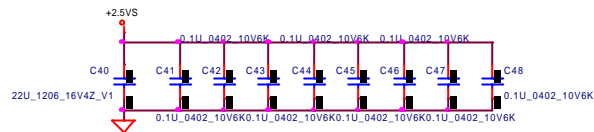
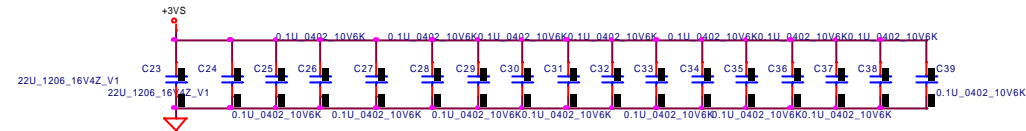
THIS SHEET OF ENGINEERING DRAWING IS THE PROPRIETARY PROPERTY OF COMPAL ELECTRONICS, INC. AND CONTAINS CONFIDENTIAL INFORMATION. IT IS TO BE USED BY OR DISCLOSED TO ANY THIRD PARTY WITHOUT PRIOR WRITTEN CONSENT OF COMPAL ELECTRONICS, INC.

**Compal Electronics, Inc.**

**SB200M(2/4) - IDE/USB/MII**

LA-1811

Date: Wednesday, September 24, 2003 Sheet 27 of 66



PIR BOM 92.09.01

PIR BOM 92.09.01

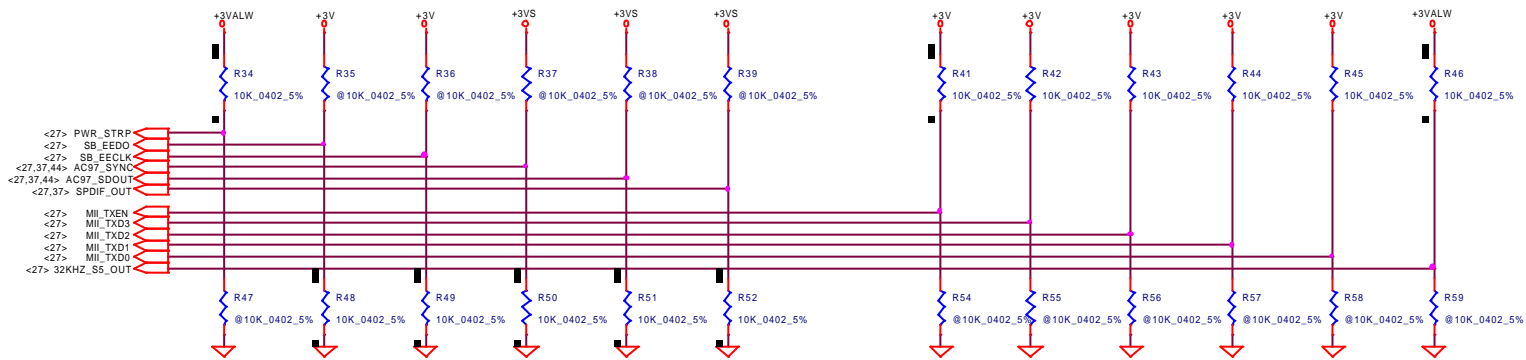
PIR BOM 92.09.01

PIR BOM 92.09.01

PIR BOM 92.09.01

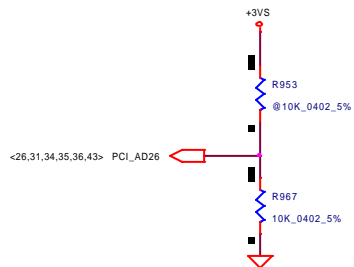
THIS SHEET OF ENGINEERING DRAWING IS THE PROPRIETARY PROPERTY OF COMPAL ELECTRONICS, INC. AND CONTAINS CONFIDENTIAL INFORMATION. DEPARTMENT EXCEPT AS AUTHORIZED BY COMPAL ELECTRONICS, INC. NEITHER THIS SHEET NOR THE INFORMATION IT CONTAINS MAY BE USED BY OR DISCLOSED TO ANY THIRD PARTY WITHOUT PRIOR WRITTEN CONSENT OF COMPAL ELECTRONICS, INC.

<b>Compal Electronics, Inc.</b>		
File: SB200M(3/4) - PWR		
Size	Document Number	Rev
	LA-1811	1.0
Date:	Wednesday, September 24, 2003	Sheet 28 of 66



**REQUIRED SYSTEM STRAPS**

	PWR_STRP	IGN DEBUG EEDO	EECK	AC_SYNC	AC_SDOUT	SPDIF_OUT	SPEEDSTEP CPU_STP#	FREQLOCH TX_EN	ETHERNET TXD[3:0]	32KHZ_S5
STRAP HIGH	MANUAL PWR ON DEFAULT	USE DEBUG STRAPS	ROM ON PCI BUS	INIT ACTIVE HIGH	33MHz NB BUS	SIO 24MHz	ENABLE SPEED STEP	DISABLE CPU FREQ SETTING DEFAULT	PROCESSOR FREQ MULTIPLIER	32KHZ OUTPUT FROM SB200 (INT RTC) DEFAULT
STRAP LOW	AUTO PWR ON	IGNORE DEBUG STRAPS DEFAULT	ROM ON LPC BUS DEFAULT	INIT ACTIVE LOW (PII) DEFAULT	HI SPEED A-LINK DEFAULT	SIO 48MHz DEFAULT	DISABLE SPEED STEP DEFAULT	ENABLE CPU FREQ SETTING		32KHZ INPUT TO SB200 (EXT RTC)



THIS SHEET OF ENGINEERING DRAWING IS THE PROPRIETARY PROPERTY OF COMPAL ELECTRONICS, INC. AND CONTAINS CONFIDENTIAL INFORMATION. DEPARTMENT EXCEPT AS AUTHORIZED BY COMPAL ELECTRONICS, INC. NEITHER THIS SHEET NOR THE INFORMATION IT CONTAINS MAY BE USED BY OR DISCLOSED TO ANY THIRD PARTY WITHOUT PRIOR WRITTEN CONSENT OF COMPAL ELECTRONICS, INC.

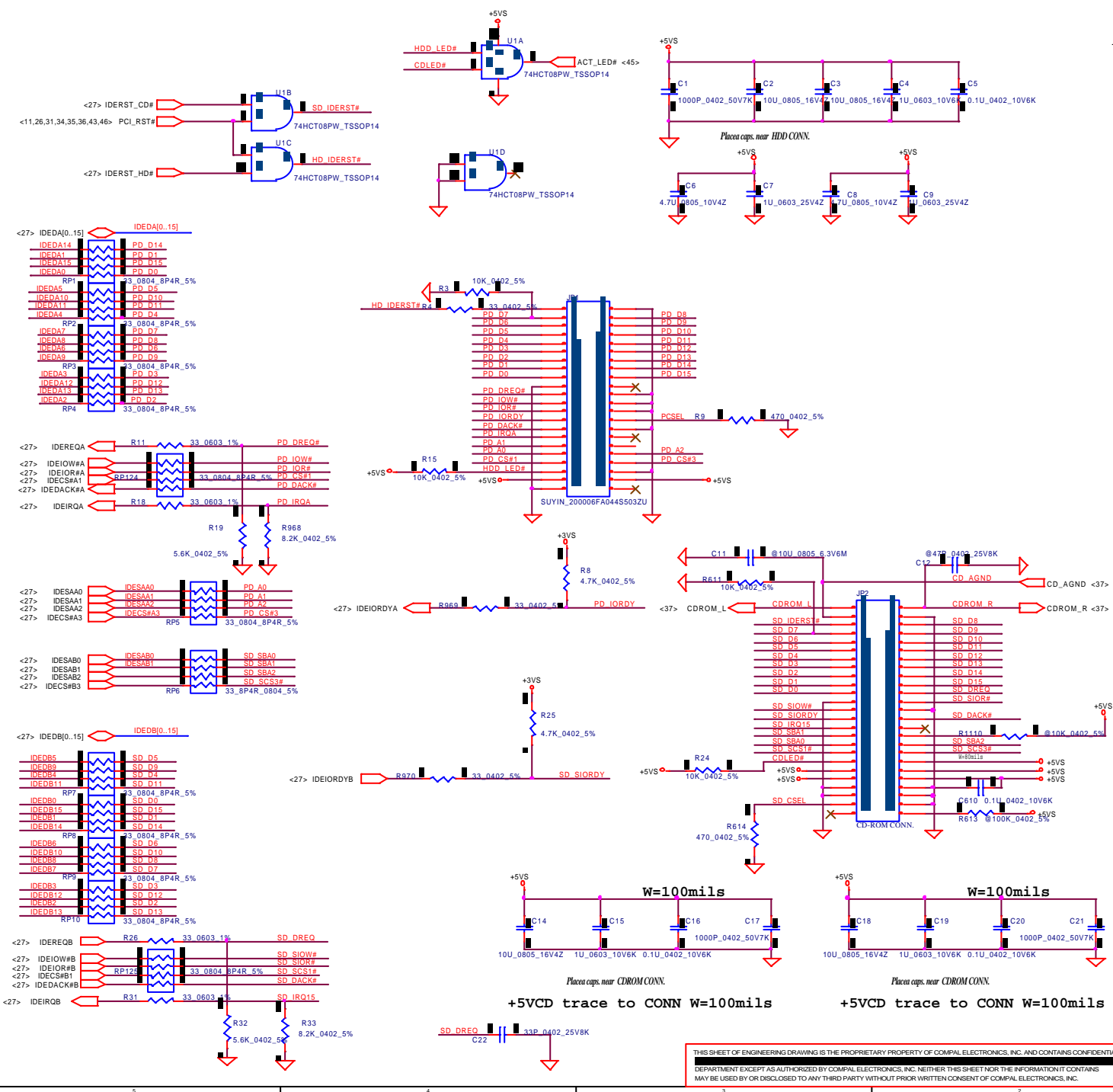
**Compal Electronics, Inc.**

Title: SB200M(4/4) - STRAPS

Size: Document Number LA-1811 Rev 1.0

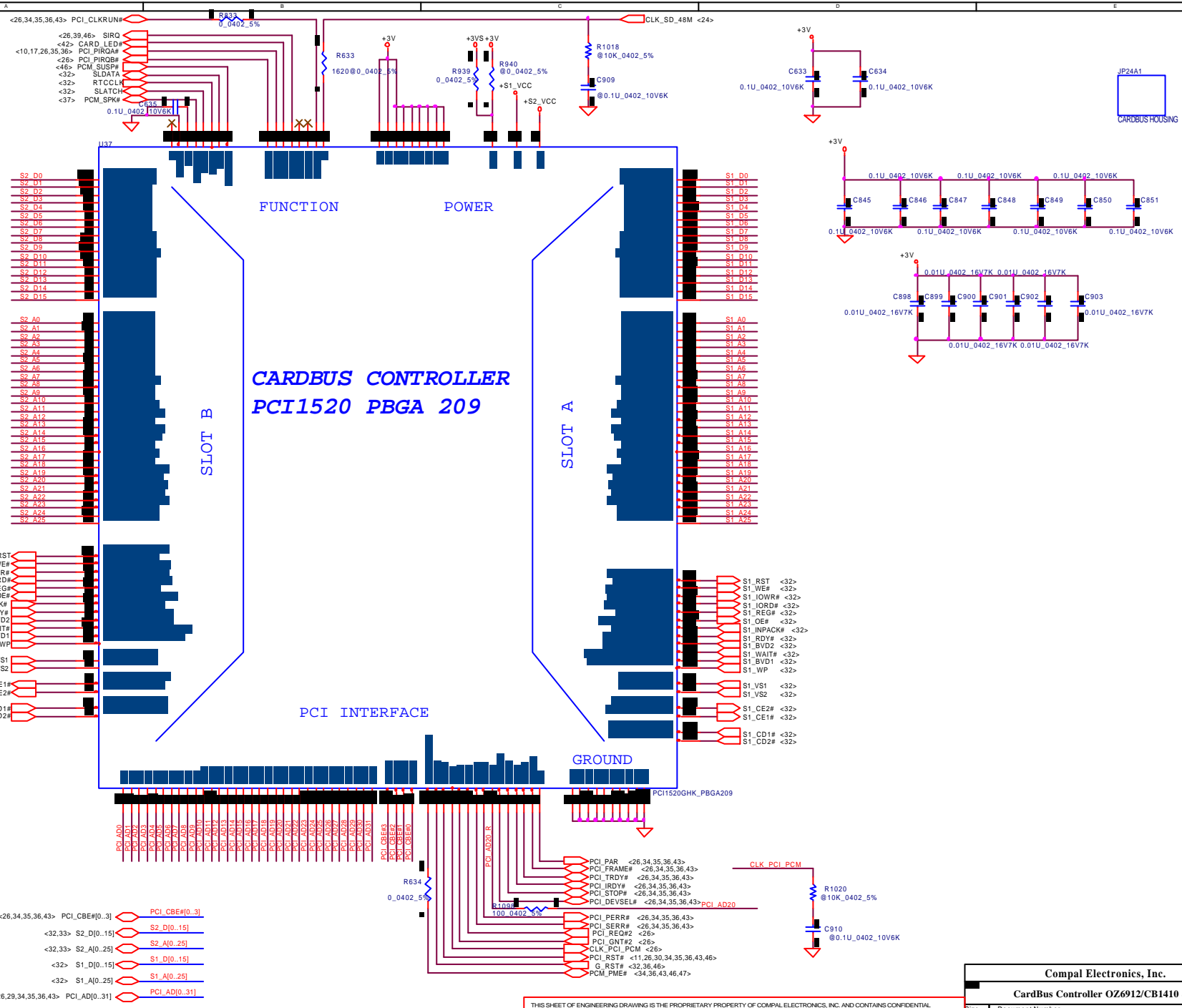
Date: Wednesday, September 24, 2003 Sheet 29 of 66

HDD/CD-ROM Module



THIS SHEET OF ENGINEERING DRAWING IS THE PROPRIETARY PROPERTY OF COMPAL ELECTRONICS, INC. AND CONTAINS CONFIDENTIAL INFORMATION. IT IS TO BE KEPT AS A CONTROLLED DOCUMENT AND NOT TO BE REPRODUCED, COPIED, OR DISCLOSED TO ANY THIRD PARTY WITHOUT THE WRITTEN CONSENT OF COMPAL ELECTRONICS, INC.

Compal Electronics, Inc.		
HDD & CDROM Connector		
Size	Document Number	Rev
	LA-1811	1.0
Date:	Wednesday, September 24, 2003	Sheet 30 of 66



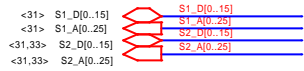
**CARDBUS CONTROLLER  
PCI1520 PBGA 209**

<b>Compal Electronics, Inc.</b>		
<b>CardBus Controller OZ6912/CB1410 &amp; Socket</b>		
Size	Document Number	Rev
	<b>LA-1811</b>	1.0
Date:	Wednesday, September 24, 2003 Sheet 31 of 66	

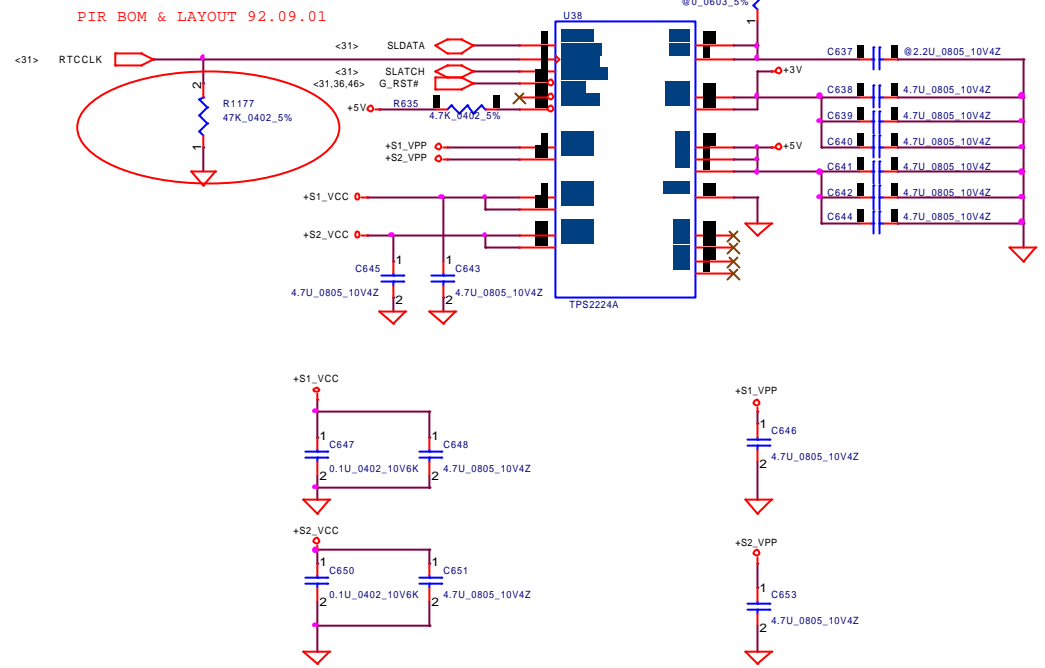
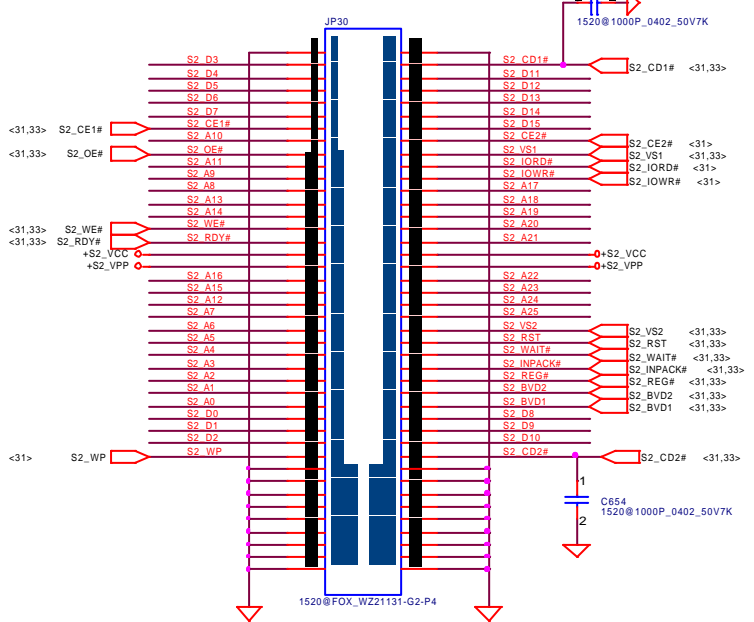
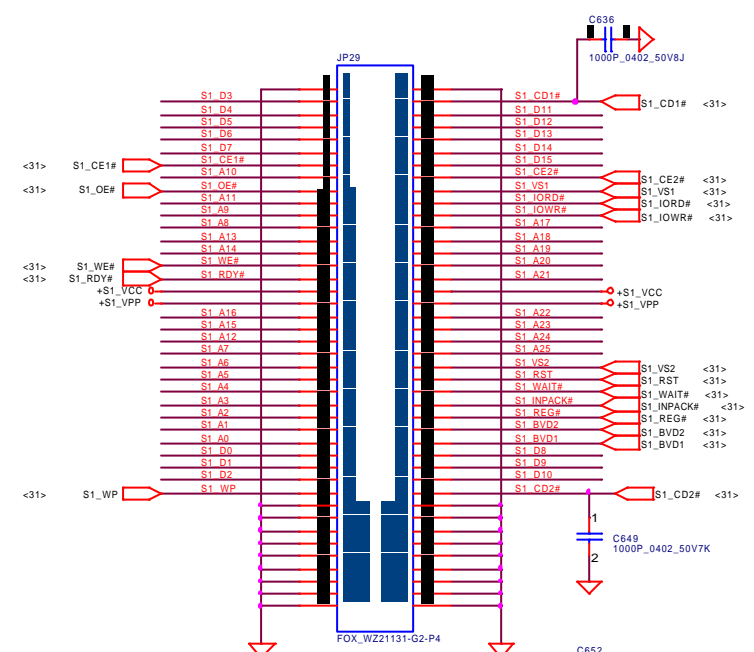
THIS SHEET OF ENGINEERING DRAWING IS THE PROPRIETARY PROPERTY OF COMPAL ELECTRONICS, INC. AND CONTAINS CONFIDENTIAL INFORMATION. IT IS NOT TO BE REPRODUCED, COPIED, OR DISCLOSED TO ANY THIRD PARTY WITHOUT THE WRITTEN CONSENT OF COMPAL ELECTRONICS, INC.

# CARDBUS

# SOCKET



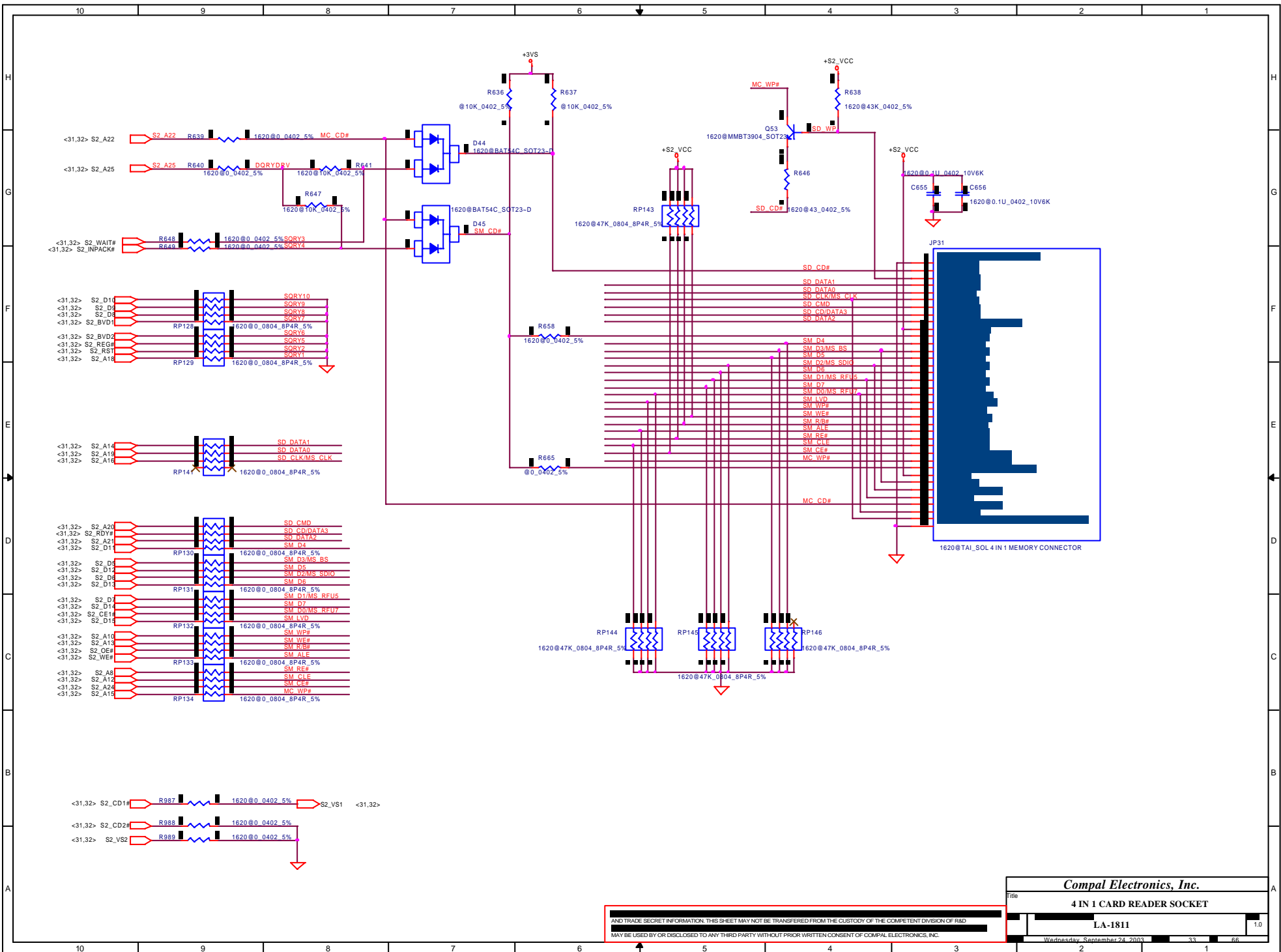
# PCMCIA POWER CTRL.



THIS SHEET OF ENGINEERING DRAWING IS THE PROPRIETARY PROPERTY OF COMPAL ELECTRONICS, INC. AND CONTAINS CONFIDENTIAL AND TRADE SECRET INFORMATION. THIS SHEET MAY NOT BE TRANSFERRED FROM THE CUSTODY OF THE COMPETENT DIVISION OF R&D DEPARTMENT EXCEPT AS AUTHORIZED BY COMPAL ELECTRONICS, INC. NEITHER THIS SHEET NOR THE INFORMATION IT CONTAINS MAY BE USED BY OR DISCLOSED TO ANY THIRD PARTY WITHOUT PRIOR WRITTEN CONSENT OF COMPAL ELECTRONICS, INC.

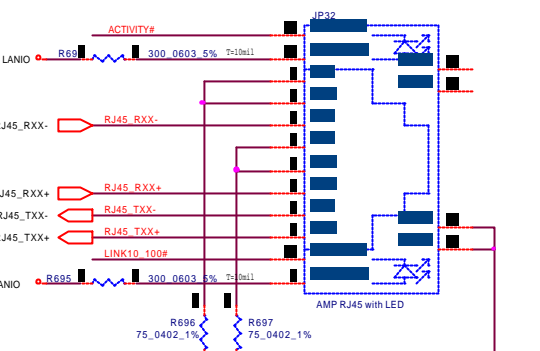
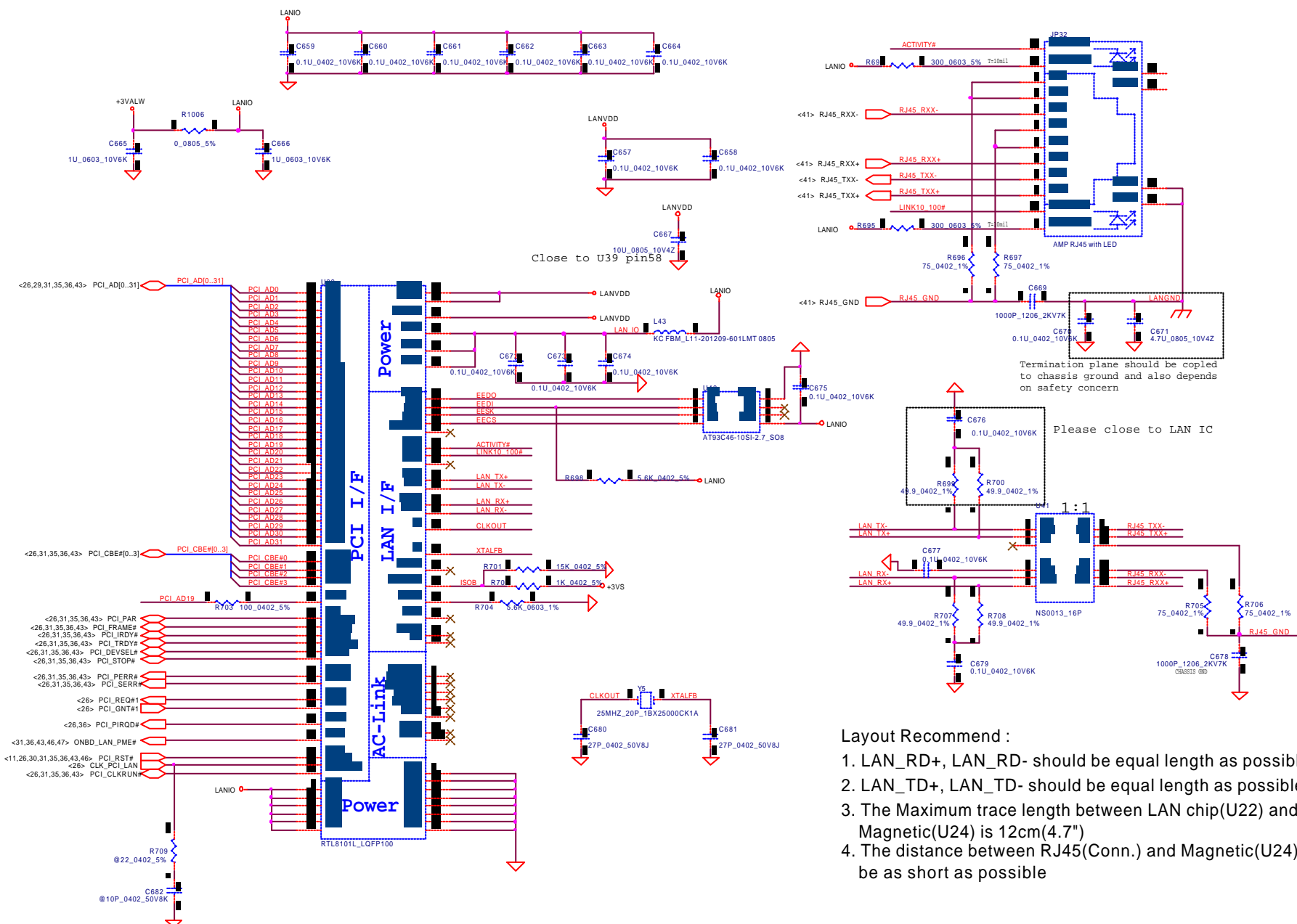
<b>Compal Electronics, Inc.</b>		
File		
CARD BUS SOCKET		
Size	Document Number	Rev
	LA-1811	1.0
Date:	Wednesday, September 24, 2003	Sheet 32 of 66





<b>Compal Electronics, Inc.</b>	
Title <b>4 IN 1 CARD READER SOCKET</b>	
LA-1811	
1.0	
Wednesday, September 24, 2003 3:33:56 PM	

AND TRADE SECRET INFORMATION. THIS SHEET MAY NOT BE TRANSFERRED FROM THE CUSTODY OF THE COMPETENT DIVISION OF R&D  
MAY BE USED BY OR DISCLOSED TO ANY THIRD PARTY WITHOUT PRIOR WRITTEN CONSENT OF COMPAL ELECTRONICS, INC.



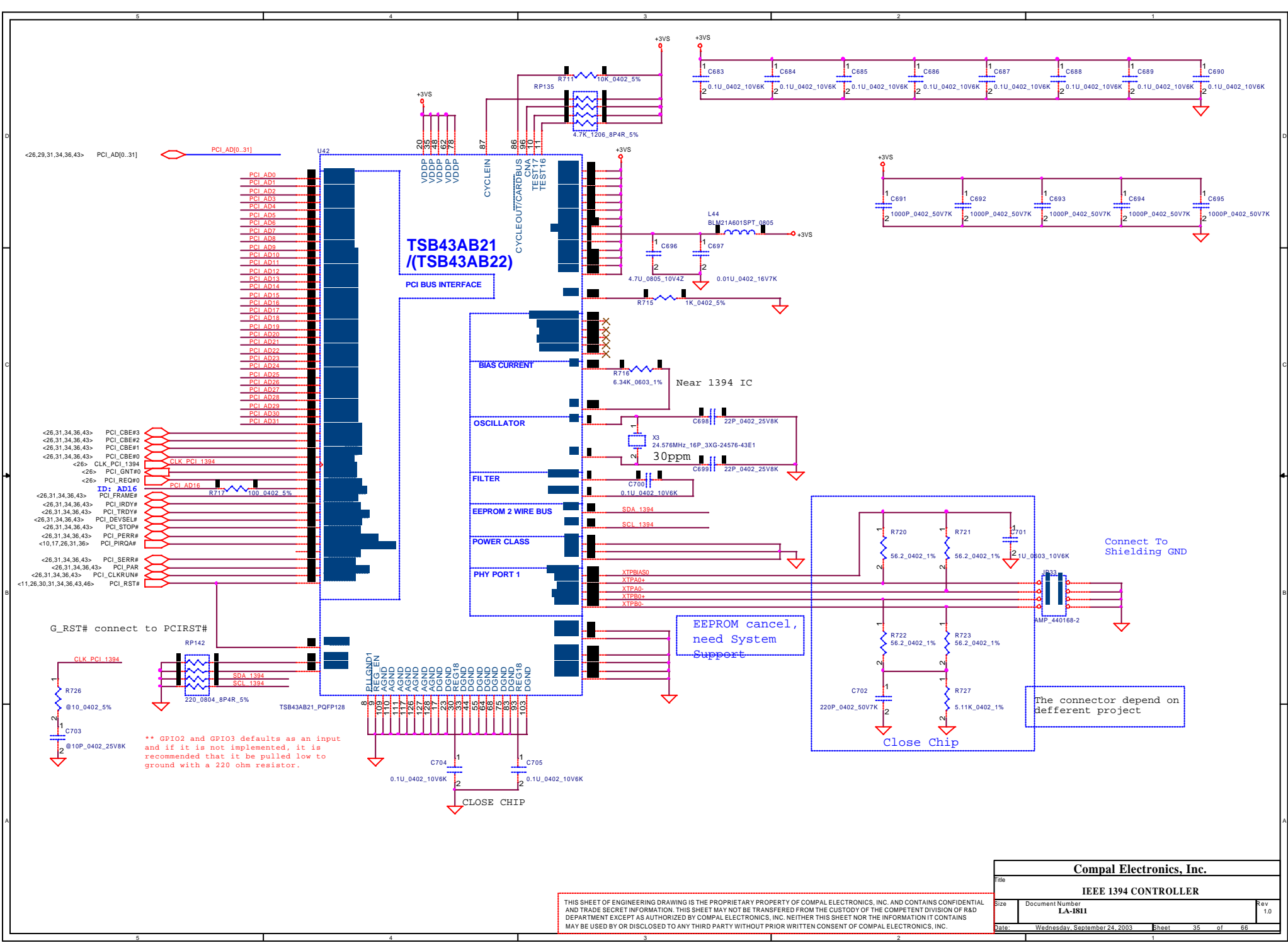
Termination plane should be copied to chassis ground and also depends on safety concern

Please close to LAN IC

- Layout Recommend :
1. LAN\_RD+, LAN\_RD- should be equal length as possible
  2. LAN\_TD+, LAN\_TD- should be equal length as possible
  3. The Maximum trace length between LAN chip(U22) and Magnetic(U24) is 12cm(4.7")
  4. The distance between RJ45(Conn.) and Magnetic(U24) should be as short as possible

<b>Compal Electronics, Inc.</b>		
<b>LAN RealTech8101BL</b>		
Size	Document Number	Rev
	<b>LA-1811</b>	1.0
Date:	Wednesday, September 24, 2003	Sheet 34 of 66

THIS SHEET OF ENGINEERING DRAWING IS THE PROPRIETARY PROPERTY OF COMPAL ELECTRONICS, INC. AND CONTAINS CONFIDENTIAL INFORMATION. IT IS TO BE USED BY OR DISCLOSED TO ANY THIRD PARTY WITHOUT PRIOR WRITTEN CONSENT OF COMPAL ELECTRONICS, INC.



**TSB43AB21  
(TSB43AB22)**

**PCI BUS INTERFACE**

**BIAS CURRENT**

**OSCILLATOR**

**FILTER**

**EEPROM 2 WIRE BUS**

**POWER CLASS**

**PHY PORT 1**

EEPROM cancel,  
need System  
Support

The connector depend on  
defferent project

Close Chip

CLOSE CHIP

\*\* GPIO2 and GPIO3 defaults as an input  
and if it is not implemented, it is  
recommended that it be pulled low to  
ground with a 220 ohm resistor.

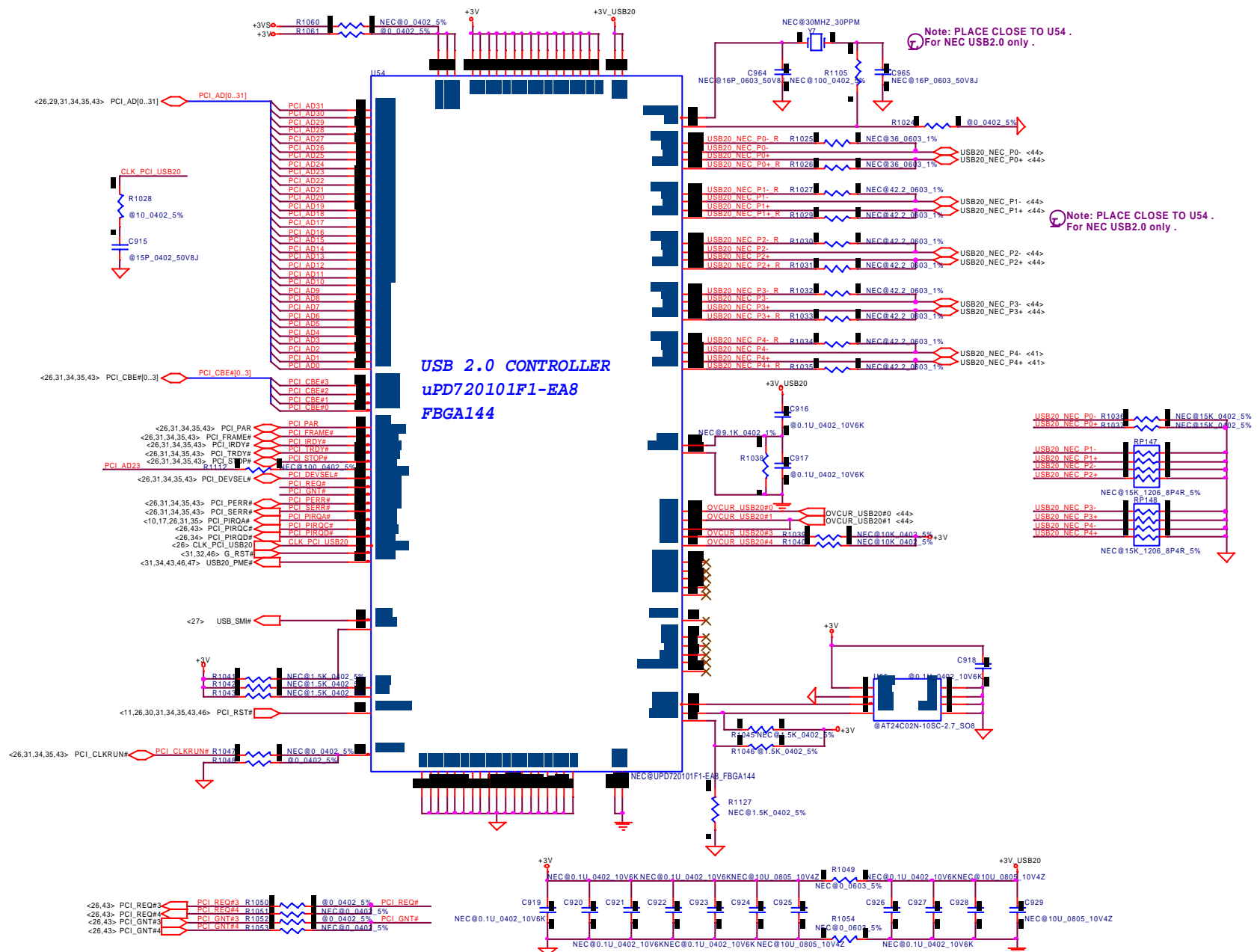
G\_RST# connect to PCIRST#

**Compal Electronics, Inc.**

**IEEE 1394 CONTROLLER**

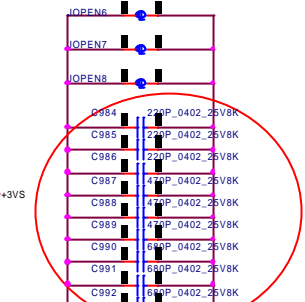
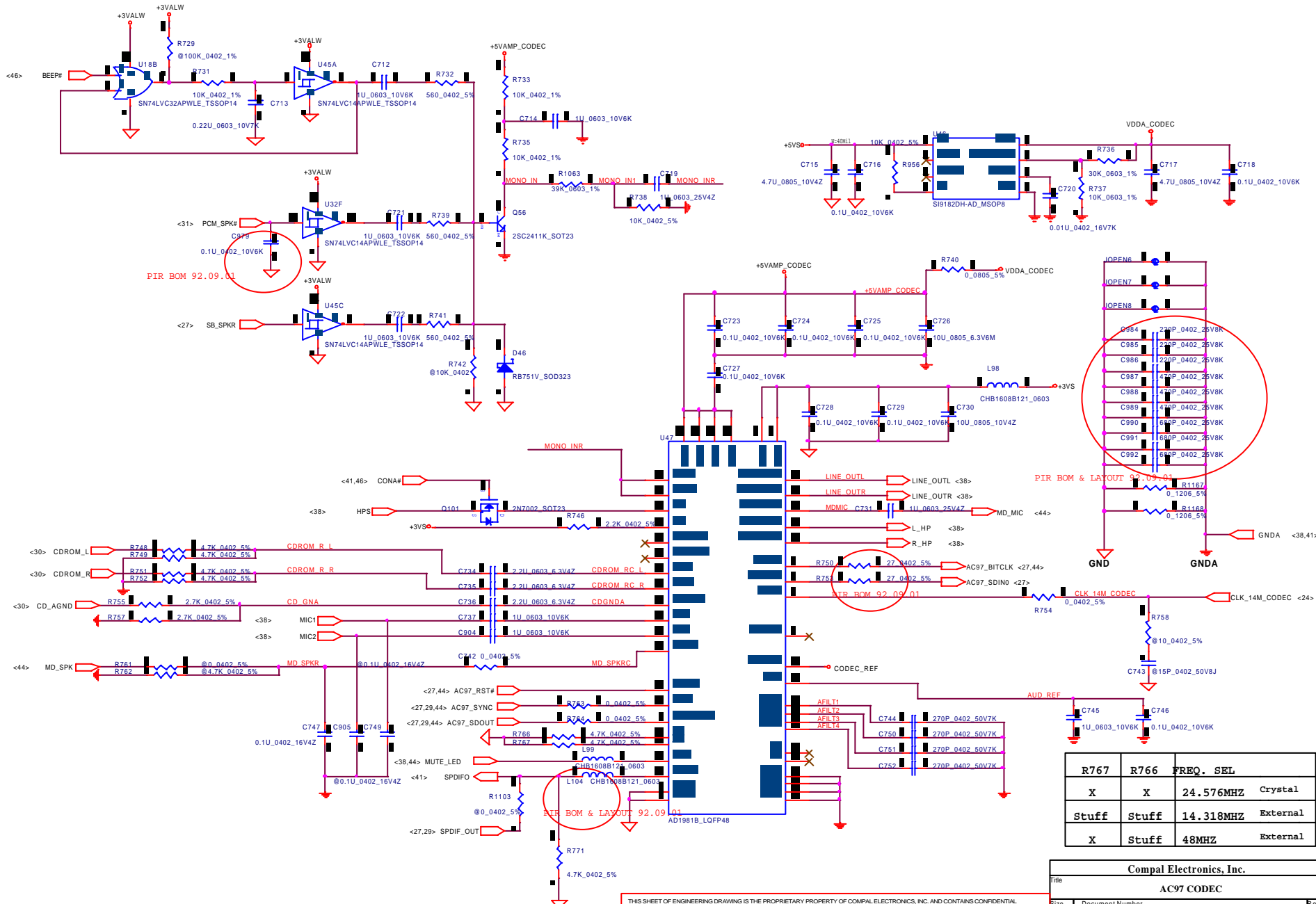
THIS SHEET OF ENGINEERING DRAWING IS THE PROPRIETARY PROPERTY OF COMPAL ELECTRONICS, INC. AND CONTAINS CONFIDENTIAL AND TRADE SECRET INFORMATION. THIS SHEET MAY NOT BE TRANSFERRED FROM THE CUSTODY OF THE COMPETENT DIVISION OF R&D DEPARTMENT EXCEPT AS AUTHORIZED BY COMPAL ELECTRONICS, INC. NEITHER THIS SHEET NOR THE INFORMATION IT CONTAINS MAY BE USED BY OR DISCLOSED TO ANY THIRD PARTY WITHOUT PRIOR WRITTEN CONSENT OF COMPAL ELECTRONICS, INC.

File	IEEE 1394 CONTROLLER		
Size	Document Number	Rev	
	LA-1811	1.0	
Date:	Wednesday, September 24, 2003	Sheet	35 of 66



<b>Compal Electronics, Inc.</b>		
<b>NEC uPD720101 - USB2.0 Controller</b>		
Size	Document Number	Rev
	<b>LA-1811</b>	1.0
Date:	Wednesday, September 24, 2003 Sheet 36 of 66	

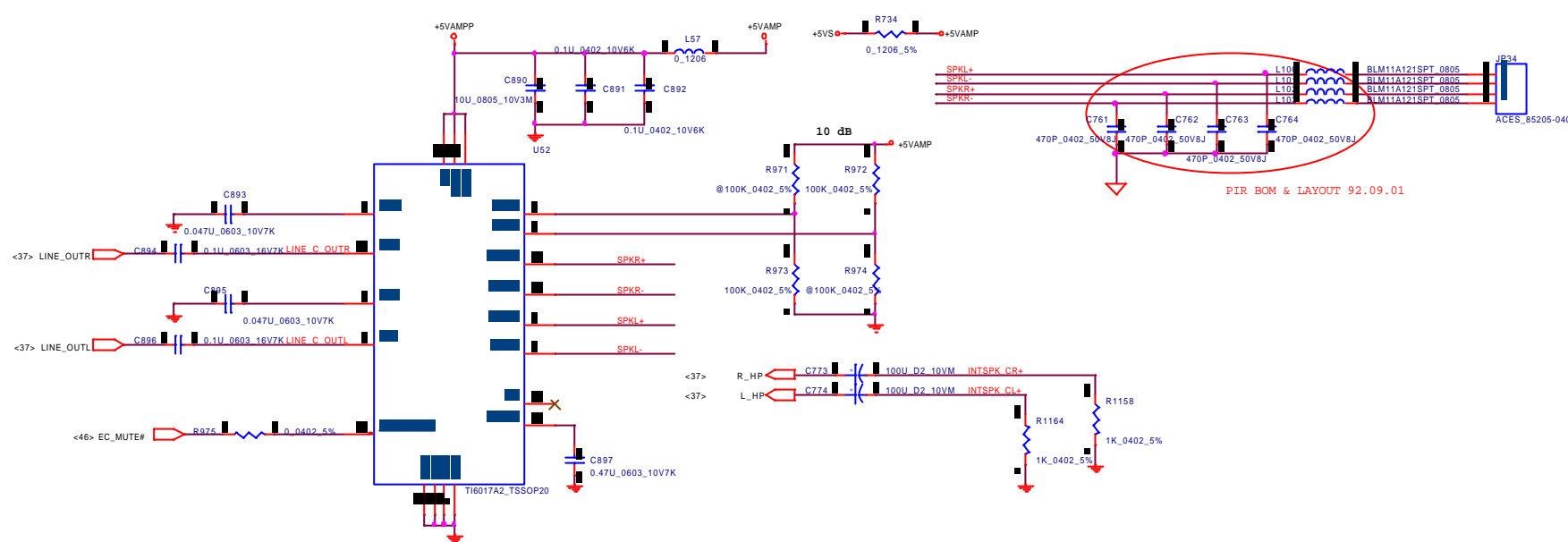
THIS SHEET OF ENGINEERING DRAWING IS THE PROPRIETARY PROPERTY OF COMPAL ELECTRONICS, INC. AND CONTAINS CONFIDENTIAL INFORMATION. IT IS TO BE KEPT AS A STRICTLY CONFIDENTIAL DOCUMENT EXCEPT AS AUTHORIZED BY COMPAL ELECTRONICS, INC. NEITHER THIS SHEET NOR THE INFORMATION IT CONTAINS MAY BE USED BY OR DISCLOSED TO ANY THIRD PARTY WITHOUT PRIOR WRITTEN CONSENT OF COMPAL ELECTRONICS, INC.



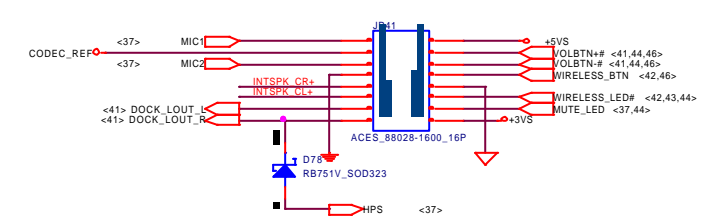
R767	R766	FREQ. SEL	
X	X	24.576MHZ	Crystal
Stuff	Stuff	14.318MHZ	External
X	Stuff	48MHZ	External

<b>Compal Electronics, Inc.</b>			
<b>AC97 CODEC</b>			
Title			
Size	Document Number	Rev	
	LA-1811	1.0	
Date	Wednesday, September 24, 2003		
	Sheet	37	of 66

THIS SHEET OF ENGINEERING DRAWING IS THE PROPRIETARY PROPERTY OF COMPAL ELECTRONICS, INC. AND CONTAINS CONFIDENTIAL INFORMATION. IT IS NOT TO BE REPRODUCED, COPIED, OR DISCLOSED TO ANY THIRD PARTY WITHOUT PRIOR WRITTEN CONSENT OF COMPAL ELECTRONICS, INC.

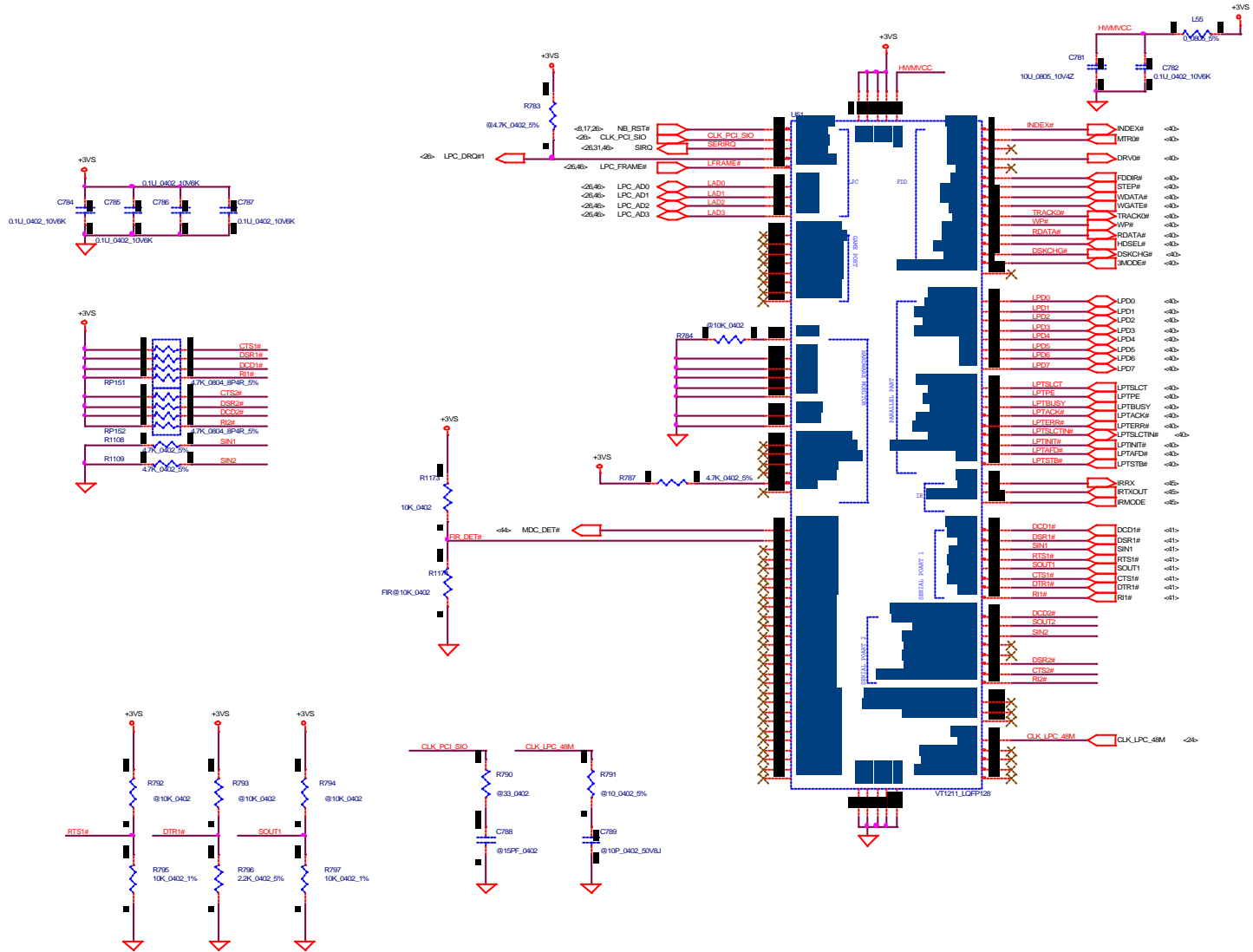


**AUDIO CONNECTOR**



Gain Settings		
GAIN0	GAIN1	Av(inv)
0	0	6 dB
0	1	10 dB
1	0	15.6 dB
1	1	21.6 dB

HEADPHONE OUT/LINE OUT

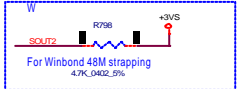


Base address 1:22b/27b  
 Base address 0:42b/47b

0: Normal Operation  
 1: Test Mode

0: Enable ROM 1/P as GP10  
 1: Enable Flash Rom

Super I/O strapping for VT1211



AND TRADE SECRET INFORMATION. THIS SHEET MAY NOT BE TRANSFERRED FROM THE CUSTODY OF THE COMPETENT DIVISION OF RAD  
 MAY BE USED BY OR DISCLOSED TO ANY THIRD PARTY WITHOUT PRIOR WRITTEN CONSENT OF COMPAL ELECTRONICS, INC.

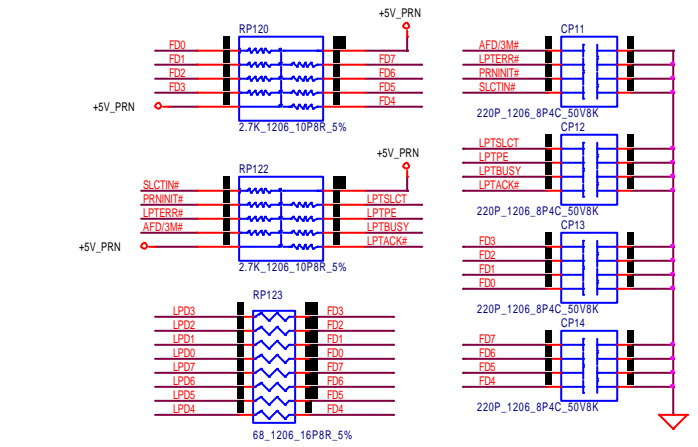
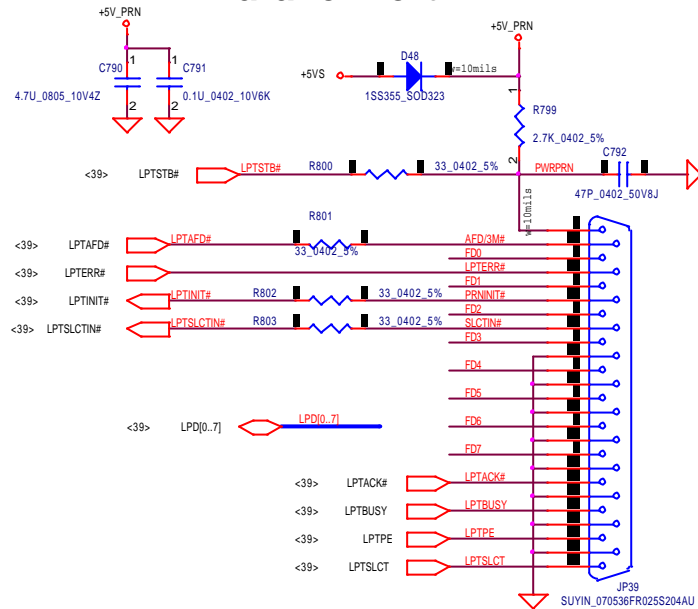
**Compal Electronics, Inc.**  
 LPC SUPER I/O VIA VT1211

Size: Document Number  
**LA-1811**

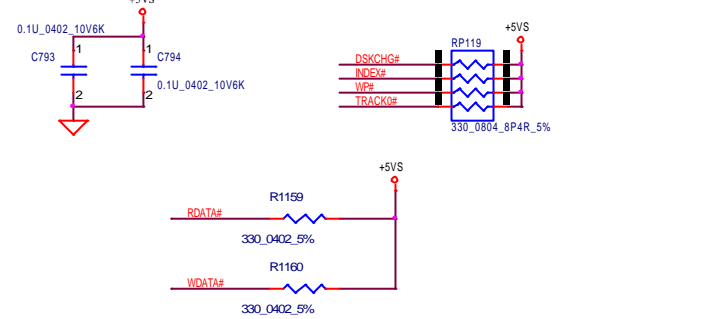
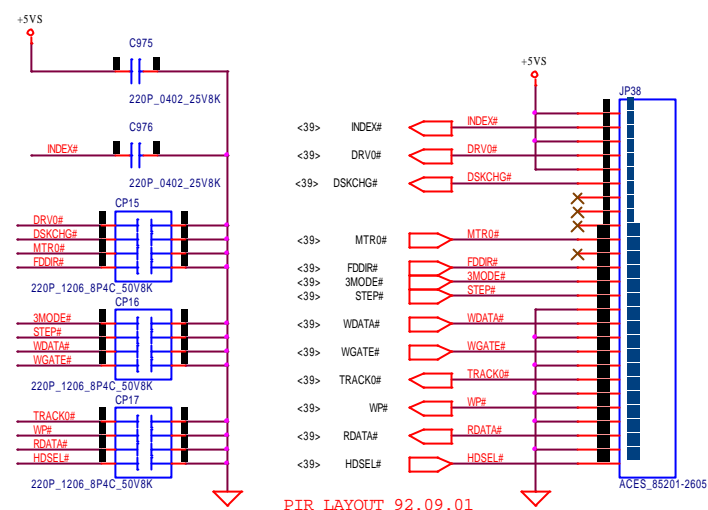
Row: 1.0

Wednesday, September 24, 2003

# Parallel Port



# FDD CONN.



PIR LAYOUT 92.09.01

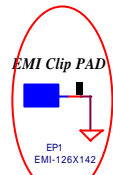
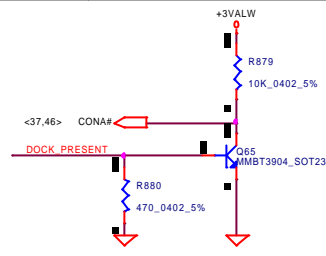
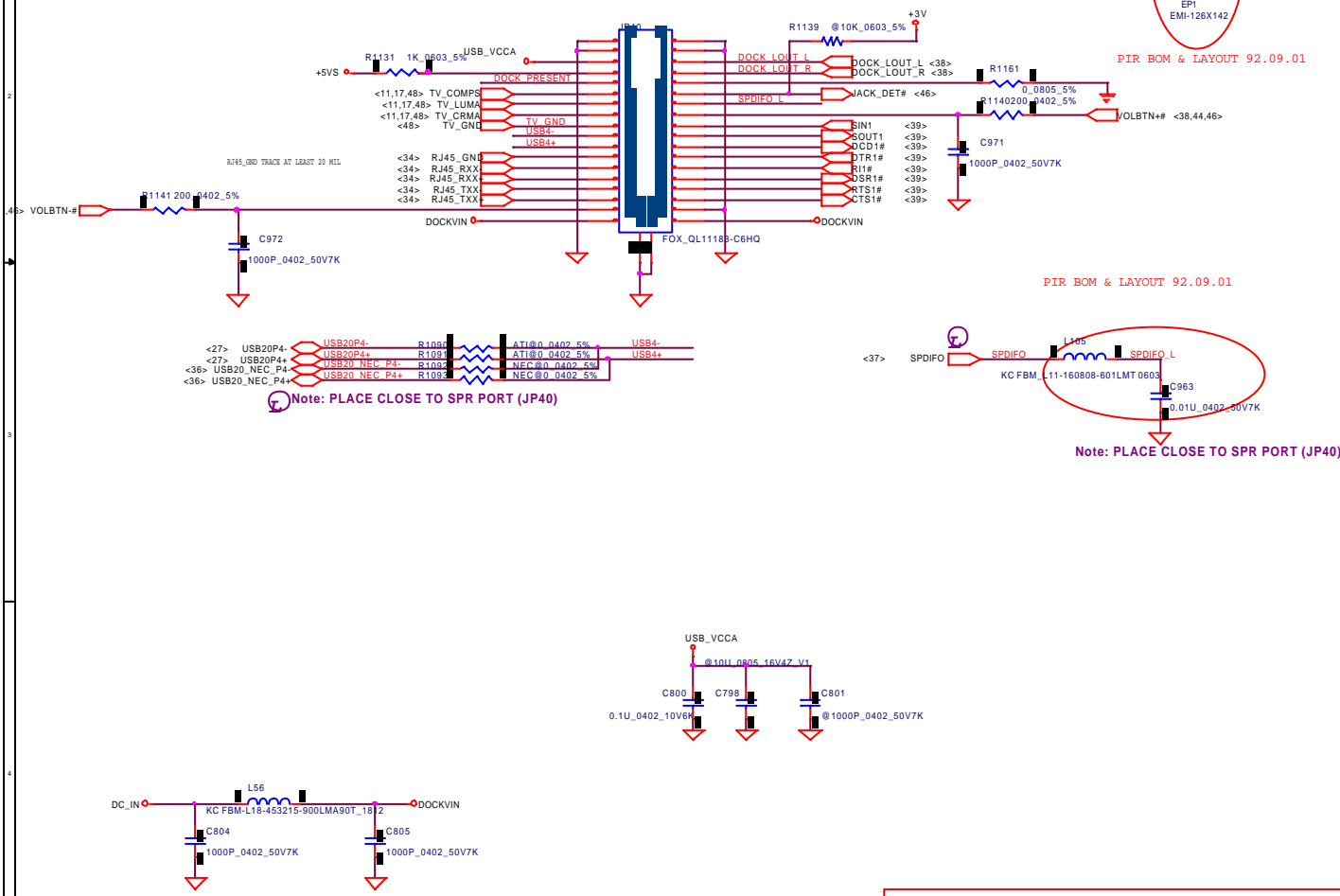
Compal Electronics, Inc.

File	Parallel port and FDD		Rev	1.0
Size	Document Number			
B	LA-1811			
Date:	Wednesday, September 24, 2003	Sheet	40	of 66

THIS SHEET OF ENGINEERING DRAWING IS THE PROPRIETARY PROPERTY OF COMPAL ELECTRONICS, INC. AND CONTAINS CONFIDENTIAL AND TRADE SECRET INFORMATION. THIS SHEET MAY NOT BE TRANSFERRED FROM THE CUSTODY OF THE COMPETENT DIVISION OF R&D DEPARTMENT EXCEPT AS AUTHORIZED BY COMPAL ELECTRONICS, INC. NEITHER THIS SHEET NOR THE INFORMATION IT CONTAINS MAY BE USED BY OR DISCLOSED TO ANY THIRD PARTY WITHOUT PRIOR WRITTEN CONSENT OF COMPAL ELECTRONICS, INC.



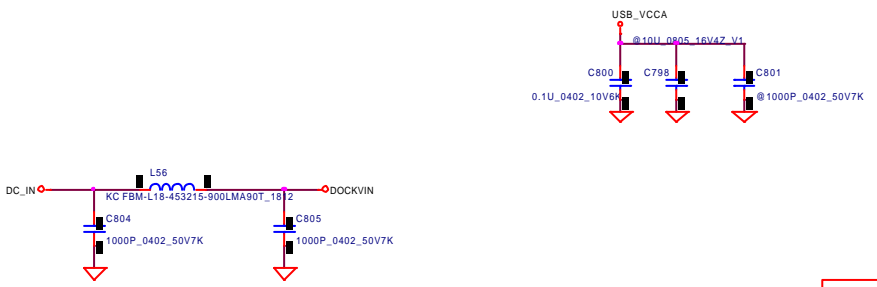
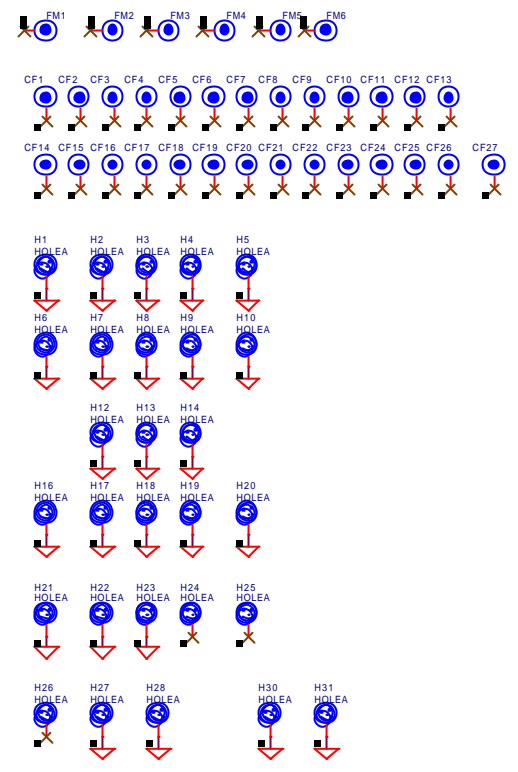
# SPR 36 PIN For X7



PIR BOM & LAYOUT 92.09.01

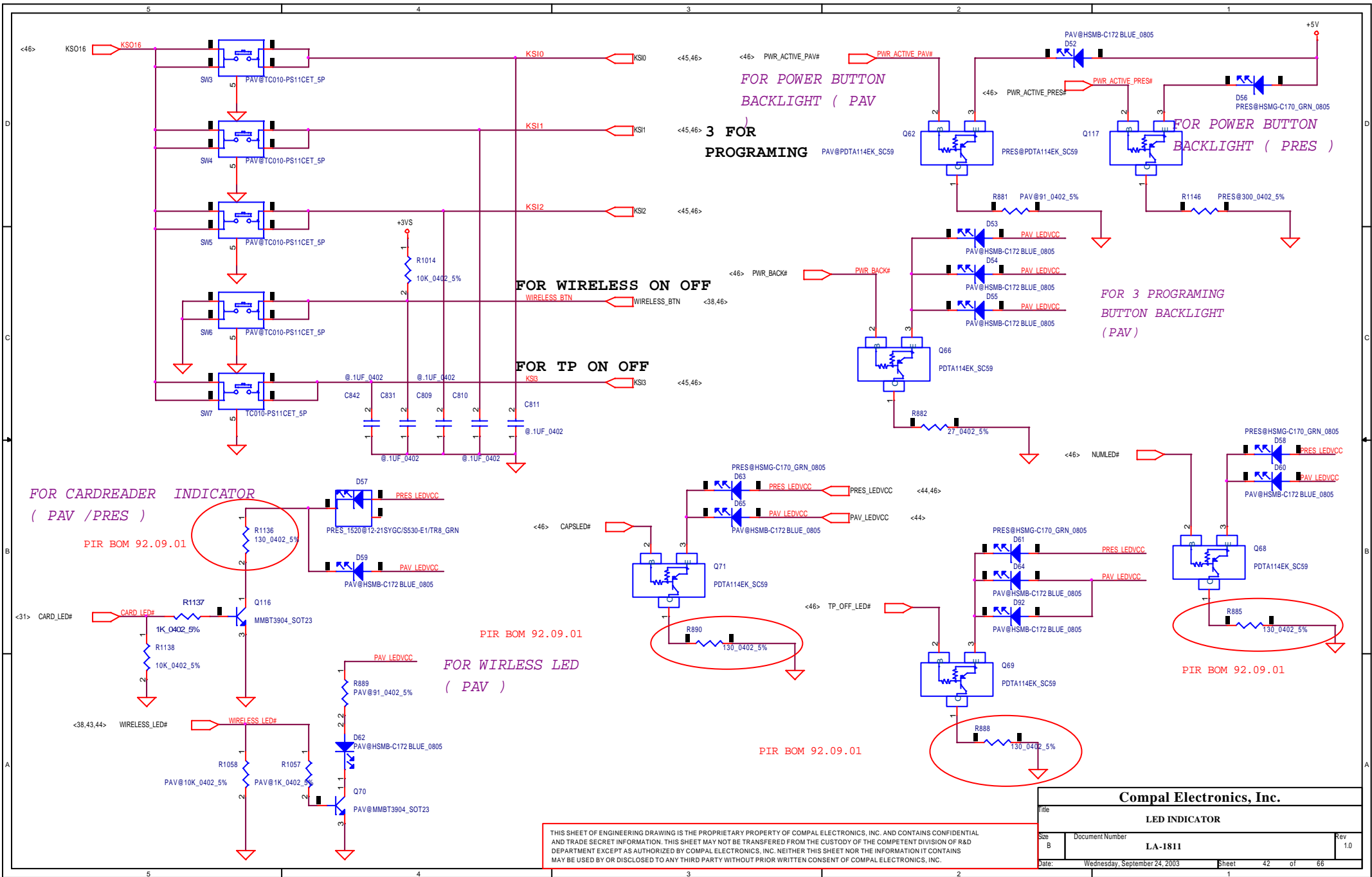
PIR BOM & LAYOUT 92.09.01

Note: PLACE CLOSE TO SPR PORT (JP40)



THIS SHEET OF ENGINEERING DRAWING IS THE PROPRIETARY PROPERTY OF COMPAL ELECTRONICS, INC. AND CONTAINS CONFIDENTIAL INFORMATION. DEPARTMENT EXCEPT AS AUTHORIZED BY COMPAL ELECTRONICS, INC. NEITHER THIS SHEET NOR THE INFORMATION IT CONTAINS MAY BE USED BY OR DISCLOSED TO ANY THIRD PARTY WITHOUT PRIOR WRITTEN CONSENT OF COMPAL ELECTRONICS, INC.

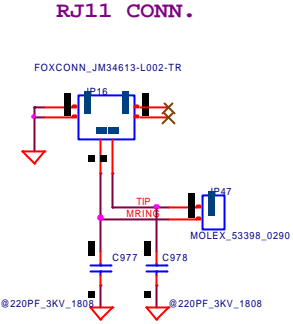
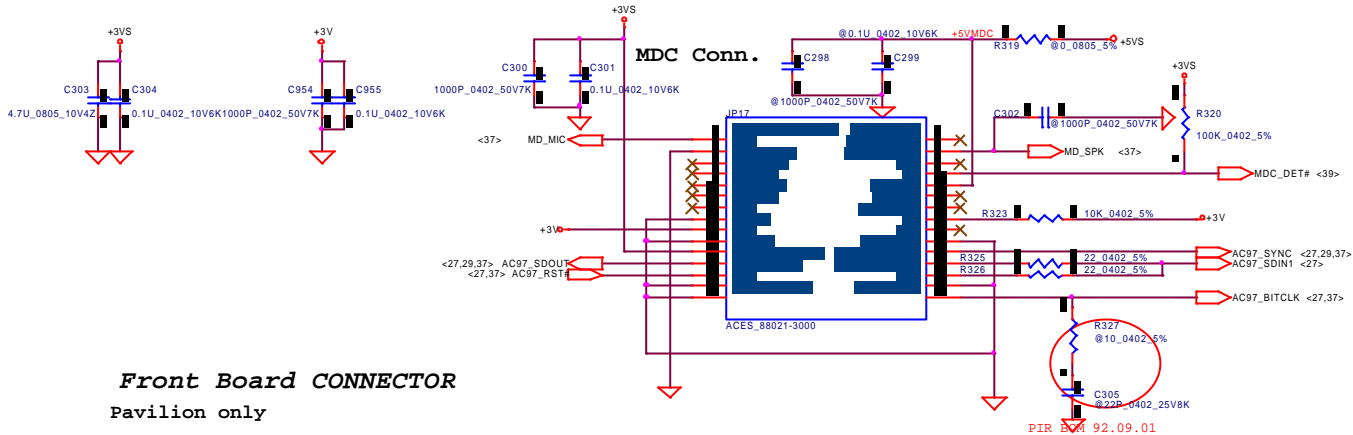
<b>Compal Electronics, Inc.</b>		
<b>SPR Connector</b>		
Size	Document Number	Rev
	<b>LA-1811</b>	<b>1.0</b>
Date:	Wednesday, September 24, 2003	Sheet 41 of 66



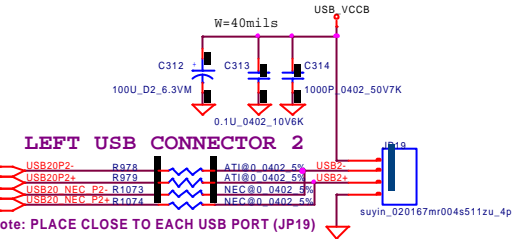
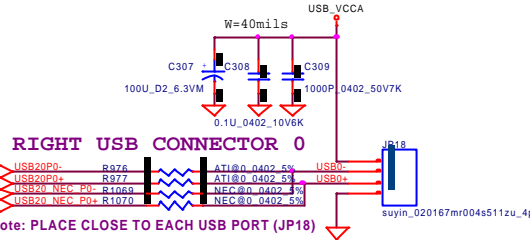
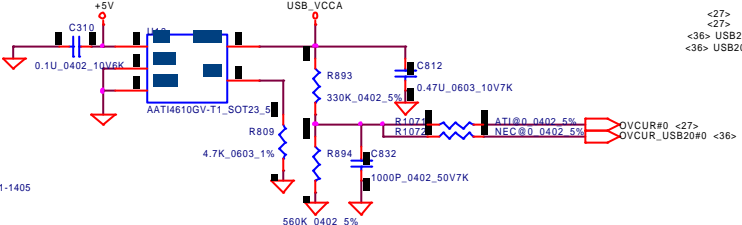
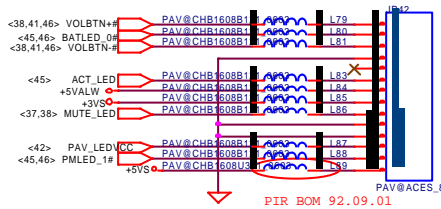
THIS SHEET OF ENGINEERING DRAWING IS THE PROPRIETARY PROPERTY OF COMPAL ELECTRONICS, INC. AND CONTAINS CONFIDENTIAL AND TRADE SECRET INFORMATION. THIS SHEET MAY NOT BE TRANSFERRED FROM THE CUSTODY OF THE COMPETENT DIVISION OF R&D DEPARTMENT EXCEPT AS AUTHORIZED BY COMPAL ELECTRONICS, INC. NEITHER THIS SHEET NOR THE INFORMATION IT CONTAINS MAY BE USED BY OR DISCLOSED TO ANY THIRD PARTY WITHOUT PRIOR WRITTEN CONSENT OF COMPAL ELECTRONICS, INC.

<b>Compal Electronics, Inc.</b>		
LED INDICATOR		
Doc No	Document Number	Rev
B	LA-1811	1.0
Date:	Wednesday, September 24, 2003	Sheet 42 of 66

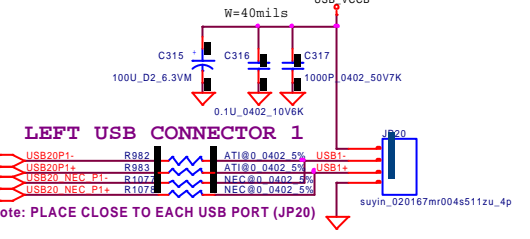
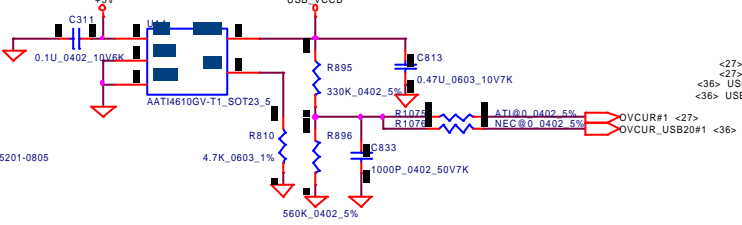




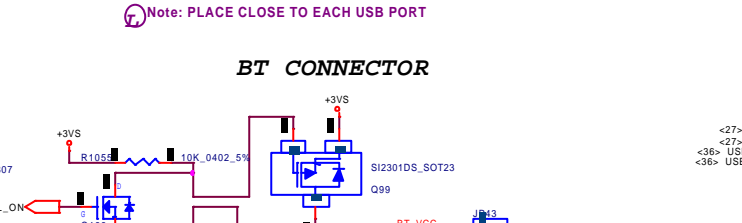
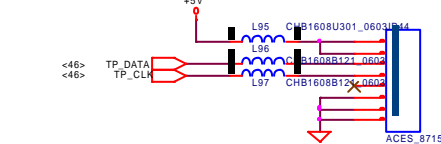
**Front Board CONNECTOR**  
Pavilion only



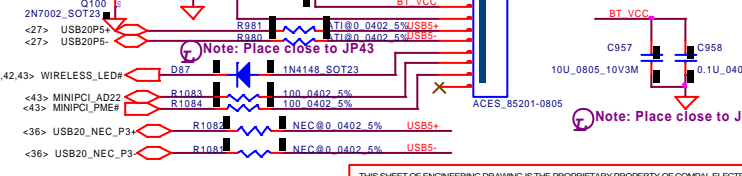
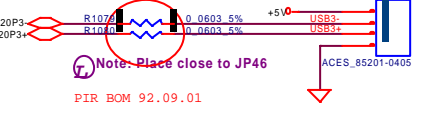
**Front Board CONNECTOR**  
PRESARIO only



**TP CONNECTOR**

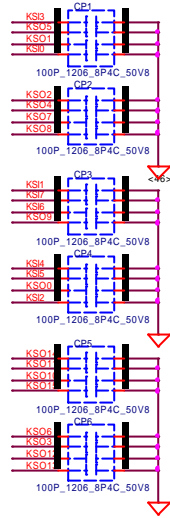
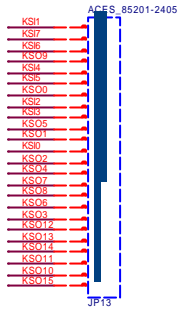


**USB KEY**

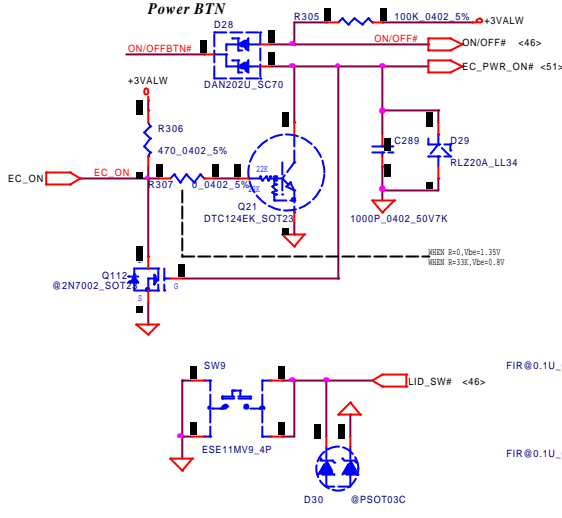


THIS SHEET OF ENGINEERING DRAWING IS THE PROPRIETARY PROPERTY OF COMPAL ELECTRONICS, INC. AND CONTAINS CONFIDENTIAL INFORMATION. IT IS NOT TO BE REPRODUCED, COPIED, OR DISCLOSED TO ANY OTHER PERSON OR ORGANIZATION WITHOUT THE WRITTEN CONSENT OF COMPAL ELECTRONICS, INC.

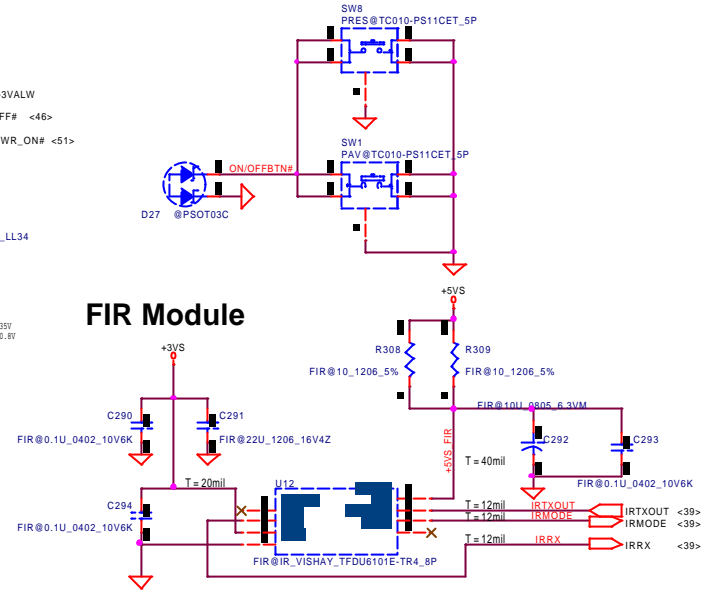
**INT\_KBD CONN.**



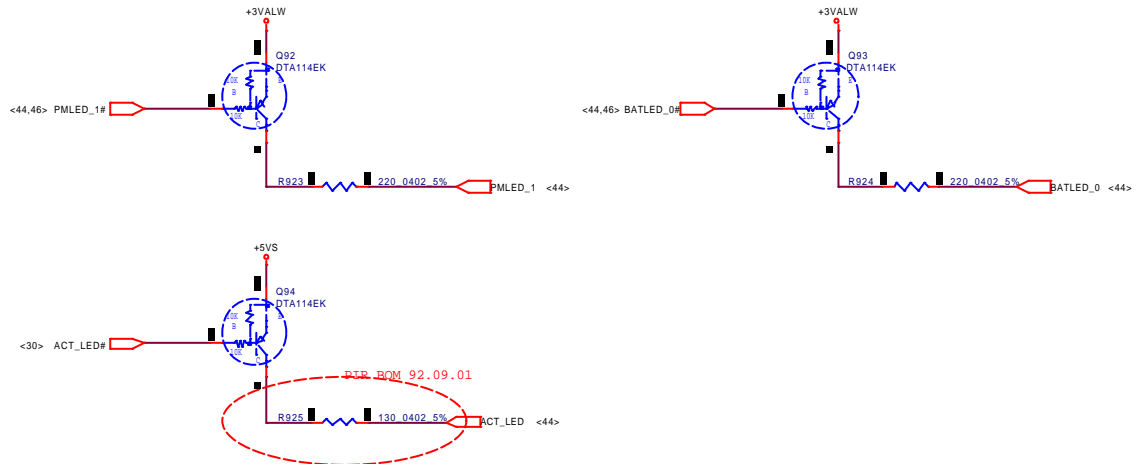
**Power BTN**



**FIR Module**

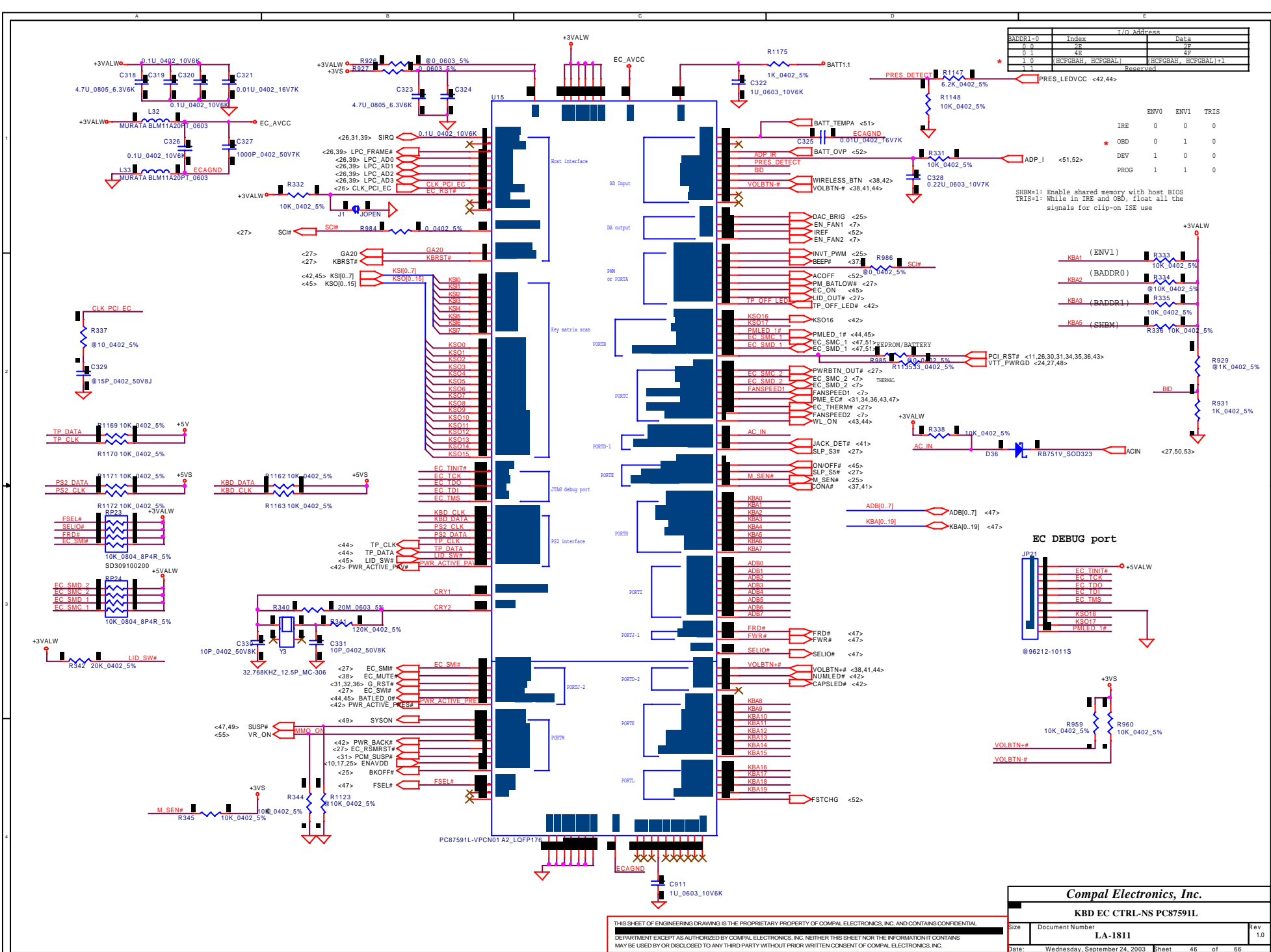


**Touch Pad & Status LED Conn.**



THIS SHEET OF ENGINEERING DRAWING IS THE PROPRIETARY PROPERTY OF COMPAL ELECTRONICS, INC. AND CONTAINS CONFIDENTIAL INFORMATION. IT IS TO BE USED BY OR DISCLOSED TO ANY THIRD PARTY WITHOUT PRIOR WRITTEN CONSENT OF COMPAL ELECTRONICS, INC.

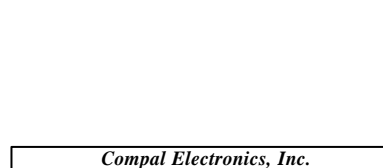
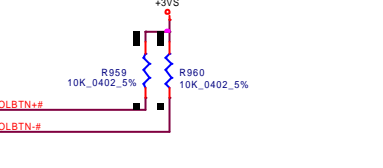
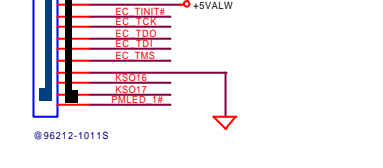
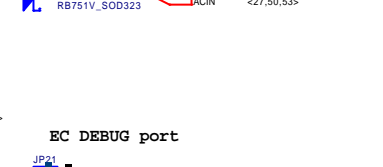
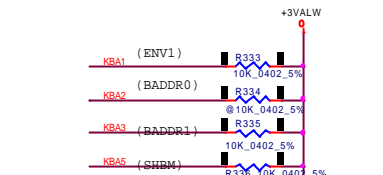
<b>Compal Electronics, Inc.</b>		
<b>KBD,ON/OFF,T/P,LED &amp; FIR</b>		
Size	Document Number	Rev
	<b>LA-1811</b>	1.0
Date:	Wednesday, September 24, 2003	Sheet 45 of 66



BADDR1-0	Index	T/O Address	Data
0	2E	2E	
0	4E	4E	
1	0	0	
1	1	1	
1	2	2	
1	3	3	
1	4	4	
1	5	5	
1	6	6	
1	7	7	
1	8	8	
1	9	9	
1	10	10	
1	11	11	
1	12	12	
1	13	13	
1	14	14	
1	15	15	
1	16	16	
1	17	17	
1	18	18	
1	19	19	
1	20	20	
1	21	21	
1	22	22	
1	23	23	
1	24	24	
1	25	25	
1	26	26	
1	27	27	
1	28	28	
1	29	29	
1	30	30	
1	31	31	
1	32	32	
1	33	33	
1	34	34	
1	35	35	
1	36	36	
1	37	37	
1	38	38	
1	39	39	
1	40	40	
1	41	41	
1	42	42	
1	43	43	
1	44	44	
1	45	45	
1	46	46	
1	47	47	
1	48	48	
1	49	49	
1	50	50	
1	51	51	
1	52	52	
1	53	53	
1	54	54	
1	55	55	
1	56	56	
1	57	57	
1	58	58	
1	59	59	
1	60	60	
1	61	61	
1	62	62	
1	63	63	
1	64	64	
1	65	65	
1	66	66	
1	67	67	
1	68	68	
1	69	69	
1	70	70	
1	71	71	
1	72	72	
1	73	73	
1	74	74	
1	75	75	
1	76	76	
1	77	77	
1	78	78	
1	79	79	
1	80	80	
1	81	81	
1	82	82	
1	83	83	
1	84	84	
1	85	85	
1	86	86	
1	87	87	
1	88	88	
1	89	89	
1	90	90	
1	91	91	
1	92	92	
1	93	93	
1	94	94	
1	95	95	
1	96	96	
1	97	97	
1	98	98	
1	99	99	
1	100	100	

ENVO	ENV1	TRIS
0	0	0
1	0	0
1	1	0
1	0	0
1	1	0

SHM=1: Enable shared memory with host BIOS  
 TRIS=1: While in IRE and OBD, float all the signals for clip-on ISE use

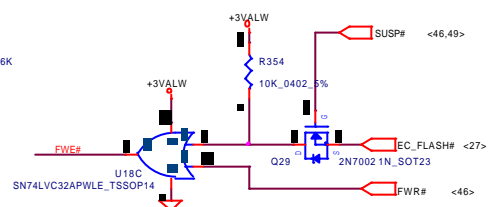
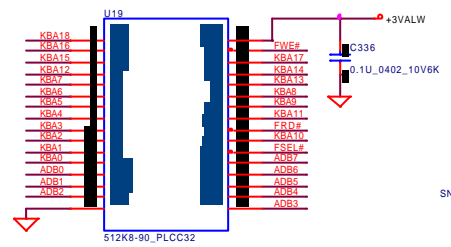
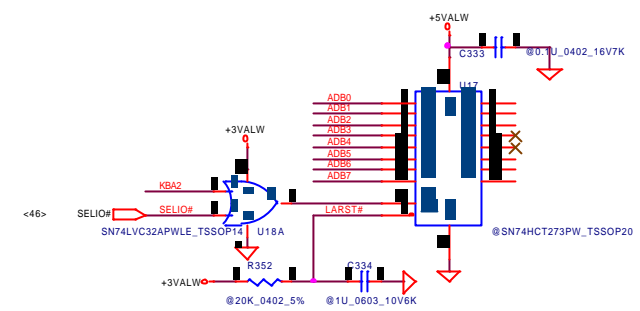


<b>Compal Electronics, Inc.</b>		
<b>KBD EC CTRL-NS PC87591L</b>		
Size	Document Number	Rev
	<b>LA-1811</b>	1.0
Date:	Wednesday, September 24, 2003	Sheet 46 of 66

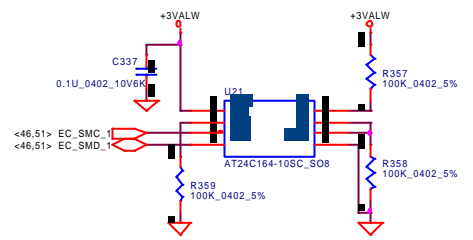
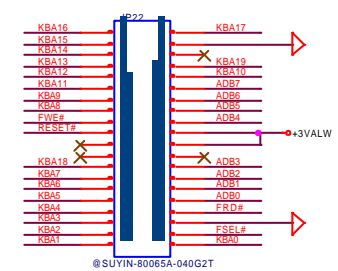
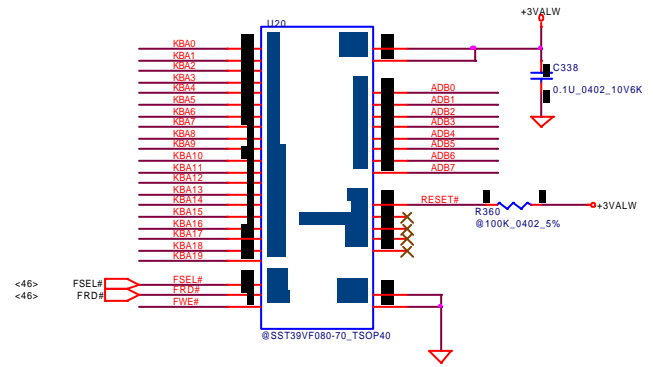
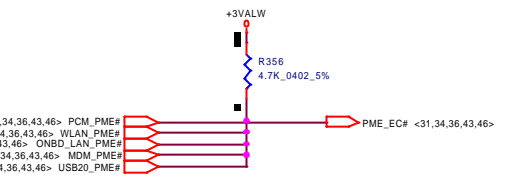
THIS SHEET OF ENGINEERING DRAWING IS THE PROPRIETARY PROPERTY OF COMPAL ELECTRONICS, INC. AND CONTAINS CONFIDENTIAL INFORMATION. IT IS TO BE KEPT STRICTLY CONFIDENTIAL AND NOT TO BE DISCLOSED TO ANY THIRD PARTY WITHOUT THE WRITTEN CONSENT OF COMPAL ELECTRONICS, INC.

<46> ADB[0..7] ADB[0..7]  
 <46> KBA[0..19] KBA[0..19]

OUTPUT



<31,34,36,43,46> PCM\_PME#  
 <31,34,36,43,46> WLAN\_PME#  
 <31,34,36,43,46> ONBD\_LAN\_PME#  
 <31,34,36,43,46> MDM\_PME#  
 <31,34,36,43,46> USB20\_PME#

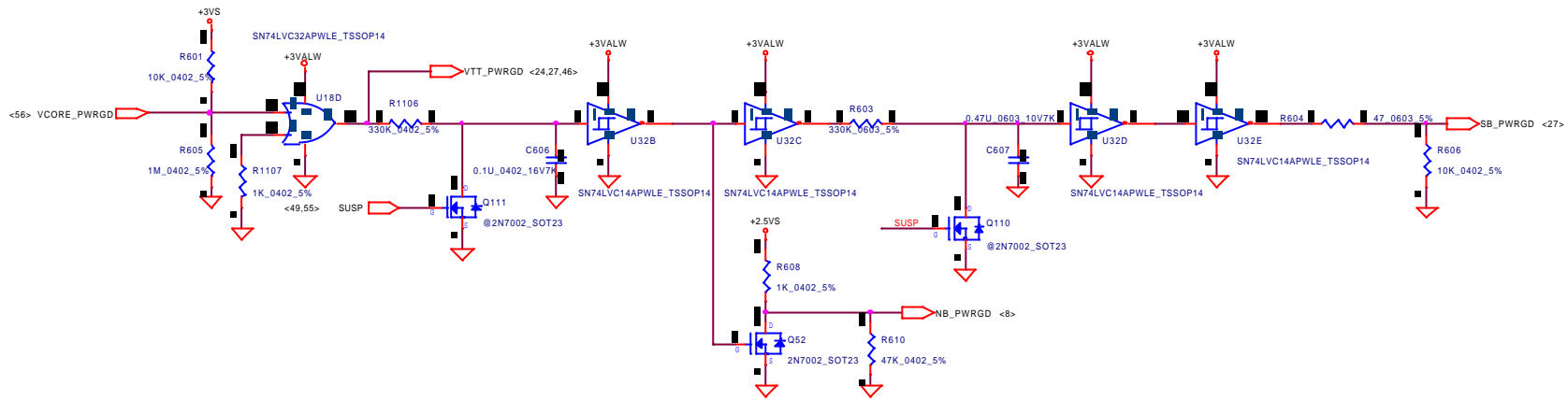


Compal Electronics, Inc.

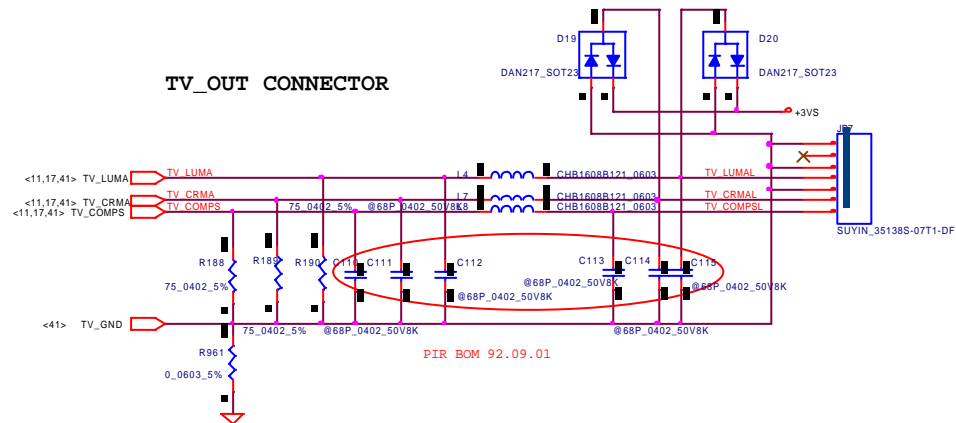
BIOS & EC I/O Port

THIS SHEET OF ENGINEERING DRAWING IS THE PROPRIETARY PROPERTY OF COMPAL ELECTRONICS, INC. AND CONTAINS CONFIDENTIAL INFORMATION. ANY DISCLOSURE OR REPRODUCTION OF THIS SHEET OR THE INFORMATION IT CONTAINS WITHOUT THE WRITTEN CONSENT OF COMPAL ELECTRONICS, INC. IS STRICTLY PROHIBITED.

Size	Document Number	Rev
	LA-1811	1.0
Date:	Wednesday, September 24, 2003	Sheet 47 of 66



**TV\_OUT CONNECTOR**

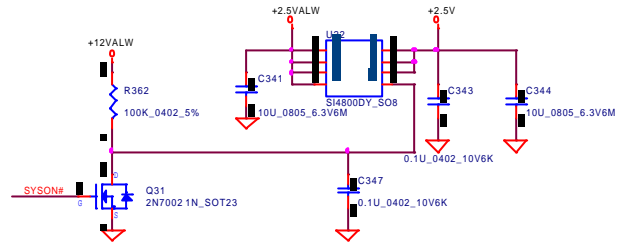


THIS SHEET OF ENGINEERING DRAWING IS THE PROPRIETARY PROPERTY OF COMPAL ELECTRONICS, INC. AND CONTAINS CONFIDENTIAL INFORMATION EXCEPT AS AUTHORIZED BY COMPAL ELECTRONICS, INC. NEITHER THIS SHEET NOR THE INFORMATION IT CONTAINS MAY BE USED BY OR DISCLOSED TO ANY THIRD PARTY WITHOUT PRIOR WRITTEN CONSENT OF COMPAL ELECTRONICS, INC.

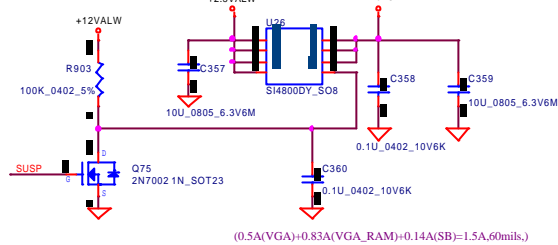
<b>Compal Electronics, Inc.</b>			
<b>POWER GOOD &amp; PS2 CKT</b>			
Size	Document Number	Rev	
	LA-1811	1.0	
Date:	Wednesday, September 24, 2003	Sheet	48 of 66



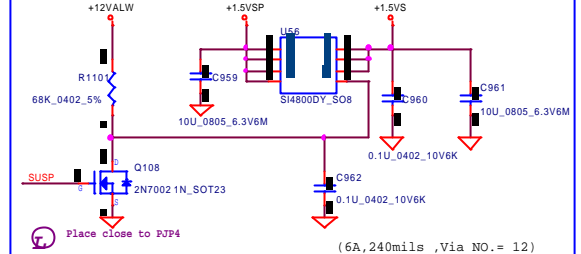
### +2.5VALW to +2.5V Transfer



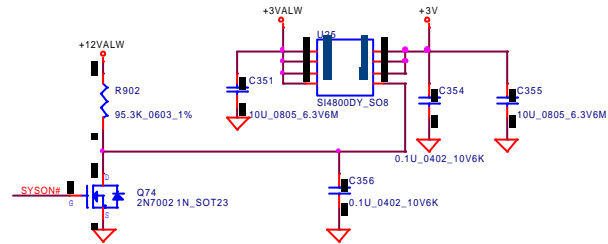
### +2.5V to +2.5VS Transfer



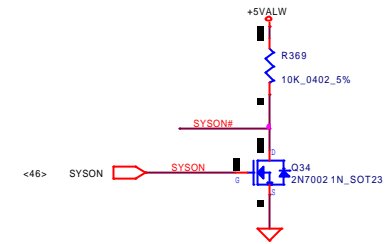
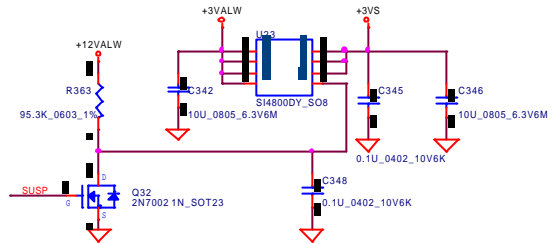
### +1.5VSP to +1.5VS Transfer



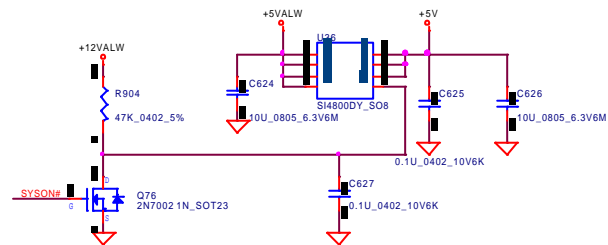
### +3VALW to +3V Transfer



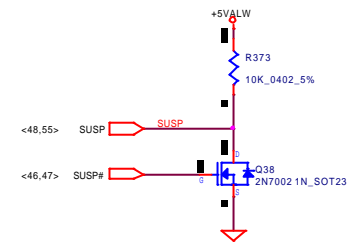
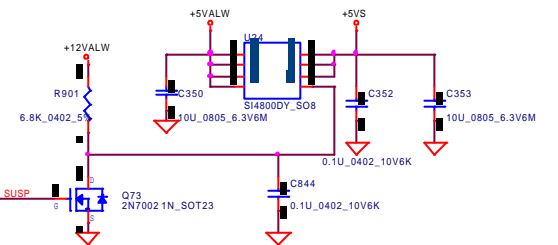
### +3VALW to +3VS Transfer



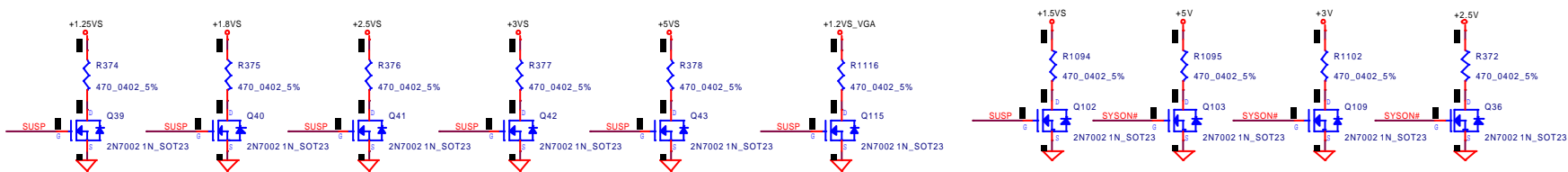
### +5VALW to +5V Transfer



### +5VALW to +5VS Transfer



### Discharge circuit

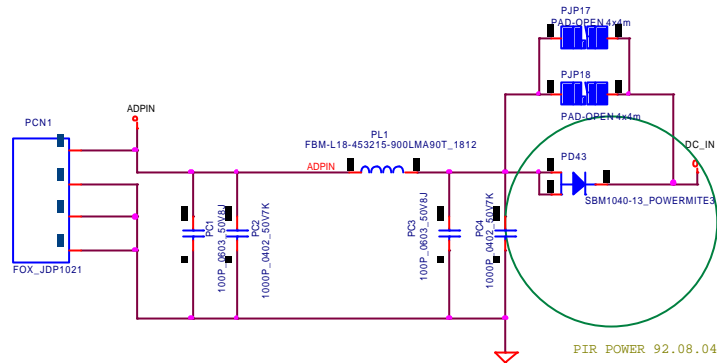


Compal Electronics, Inc.

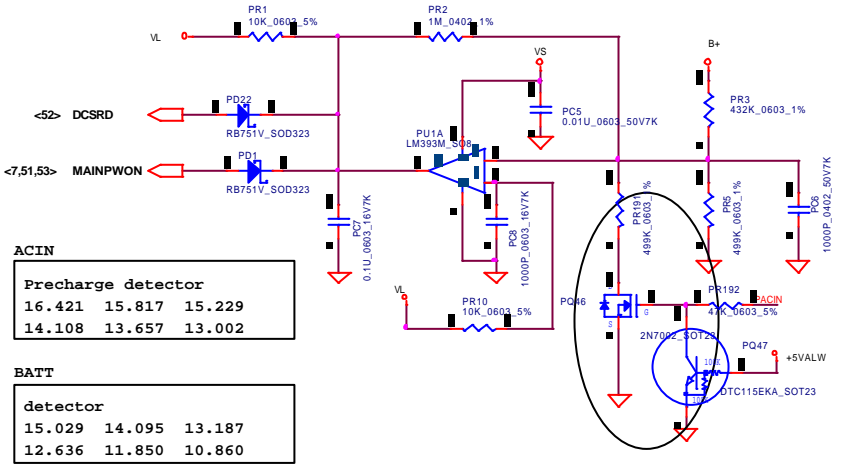
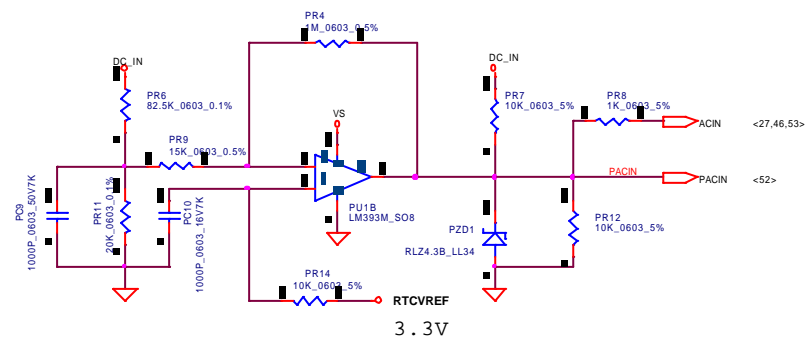
DC/DC Circuits

THIS SHEET OF ENGINEERING DRAWING IS THE PROPRIETARY PROPERTY OF COMPAL ELECTRONICS, INC. AND CONTAINS CONFIDENTIAL INFORMATION. IT IS TO BE KEPT AS A CONFIDENTIAL DOCUMENT AND NOT TO BE REPRODUCED OR DISCLOSED TO ANY THIRD PARTY WITHOUT THE WRITTEN CONSENT OF COMPAL ELECTRONICS, INC.

Size	Document Number	Rev
	LA-1811	1.0
Date:	Wednesday, September 24, 2003	Sheet 49 of 66



Vin Detector		
17.788	17.438	17.090
17.277	16.928	16.585

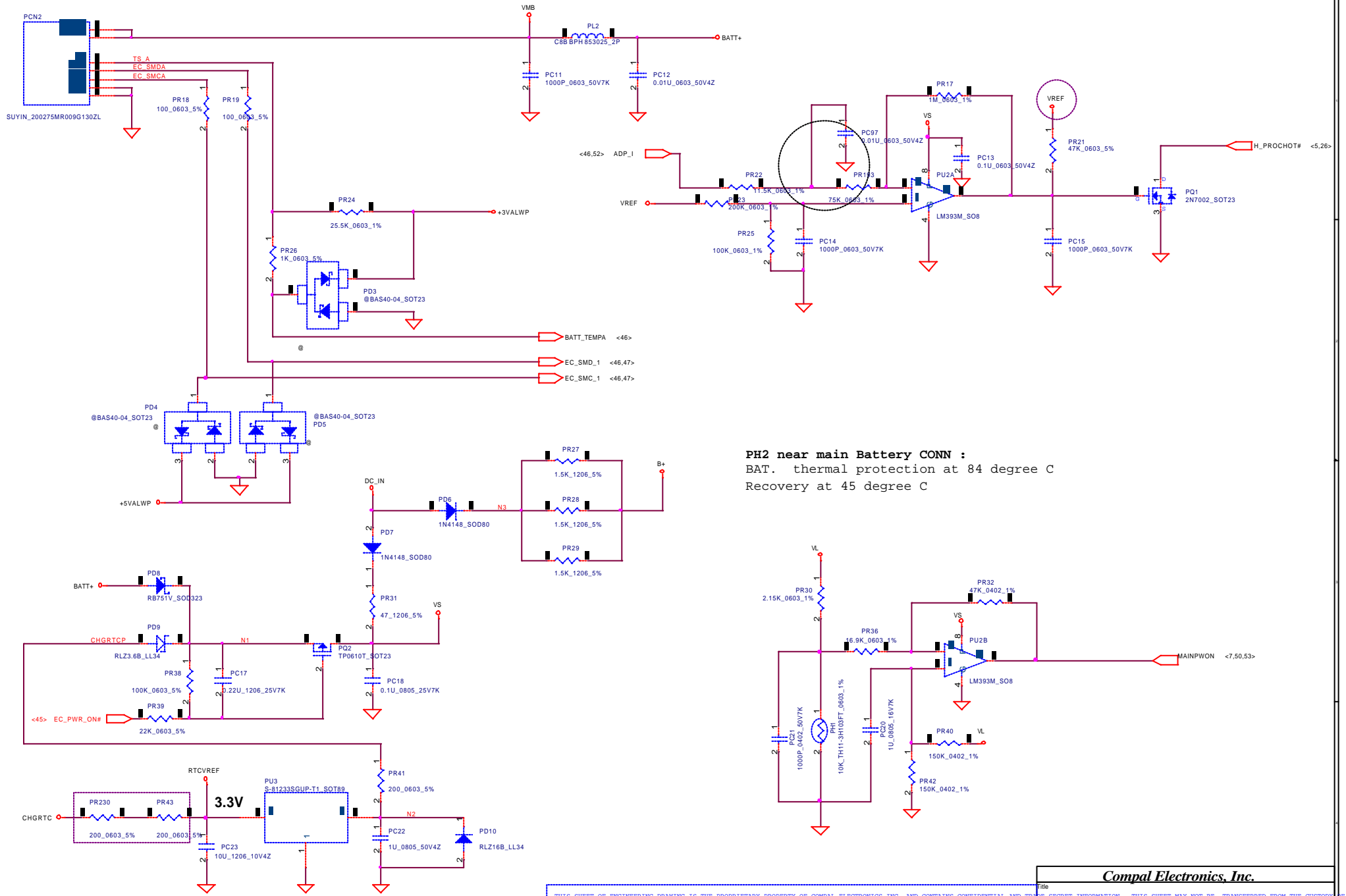


Precharge detector		
16.421	15.817	15.229
14.108	13.657	13.002

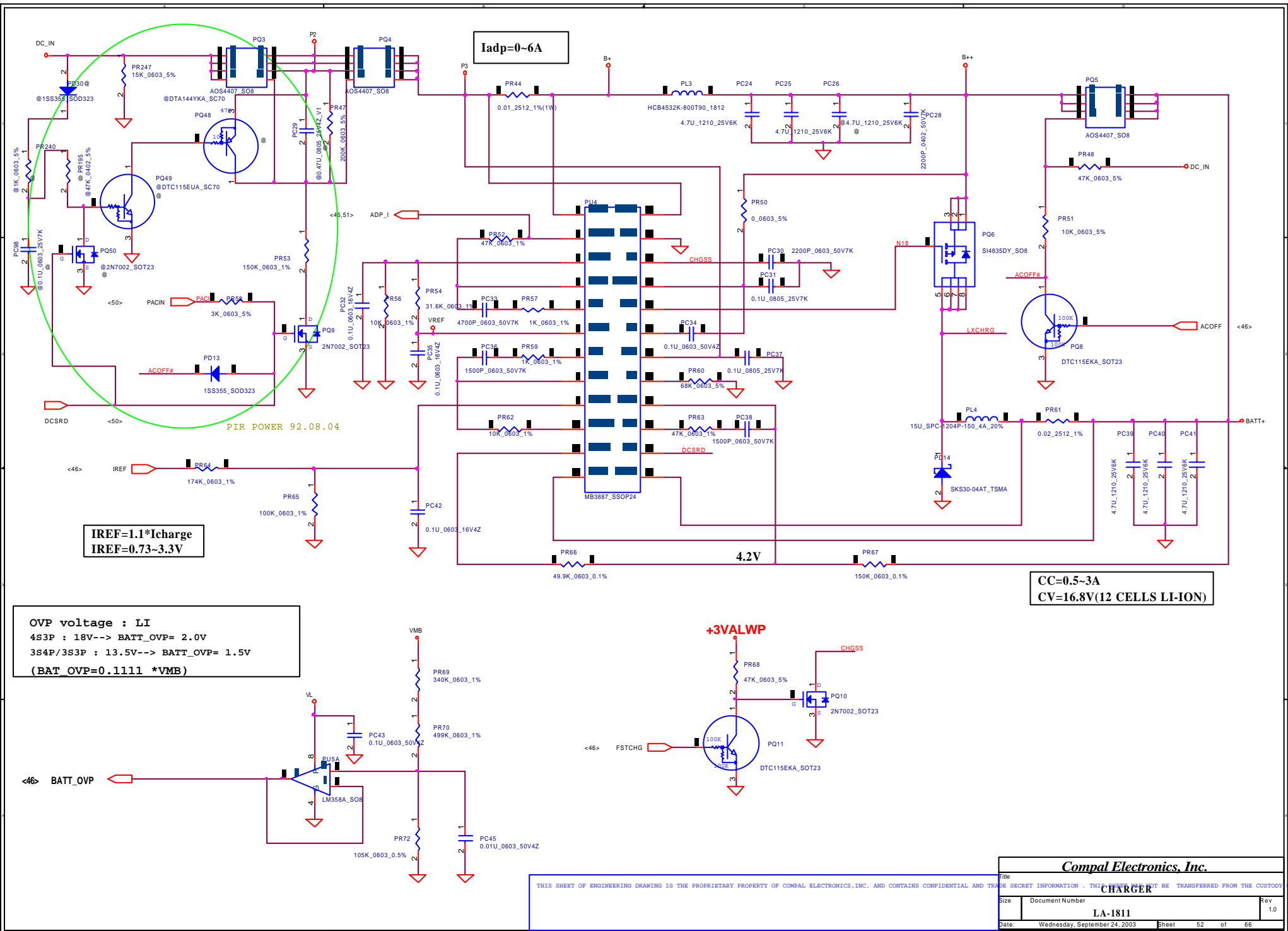
BATT detector		
15.029	14.095	13.187
12.636	11.850	10.860

Compal Electronics, Inc.		
Detector		
Size	Document Number	Rev
		1.0
Date:	Wednesday, September 24, 2003	
Sheet	50	of 66

THIS SHEET OF ENGINEERING DRAWING IS THE PROPRIETARY PROPERTY OF COMPAL ELECTRONICS, INC. AND CONTAINS CONFIDENTIAL INFORMATION. IT IS NOT TO BE REPRODUCED, COPIED, OR DISCLOSED TO ANY THIRD PARTY WITHOUT PRIOR WRITTEN CONSENT OF COMPAL ELECTRONICS, INC.



**PH2 near main Battery CONN :**  
 BAT. thermal protection at 84 degree C  
 Recovery at 45 degree C



Iadp=0~6A

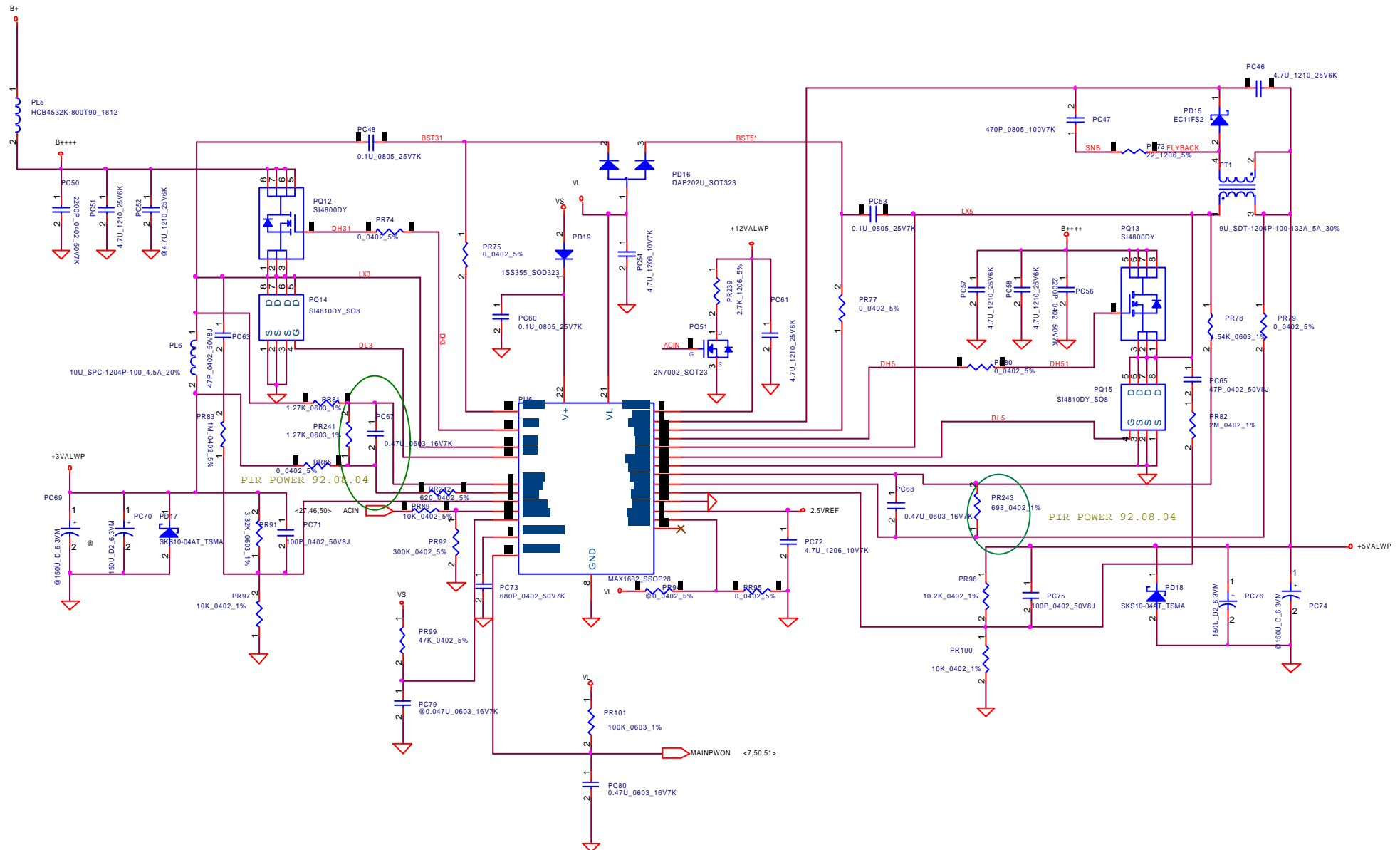
IREF=1.1\*Icharge  
IREF=0.73~3.3V

OVP voltage : LI  
4S3P : 18V--> BATT\_OVP= 2.0V  
3S4P/3S3P : 13.5V--> BATT\_OVP= 1.5V  
(BAT\_OVP=0.1111 \*VMB)

CC=0.5~3A  
CV=16.8V(12 CELLS LI-ION)

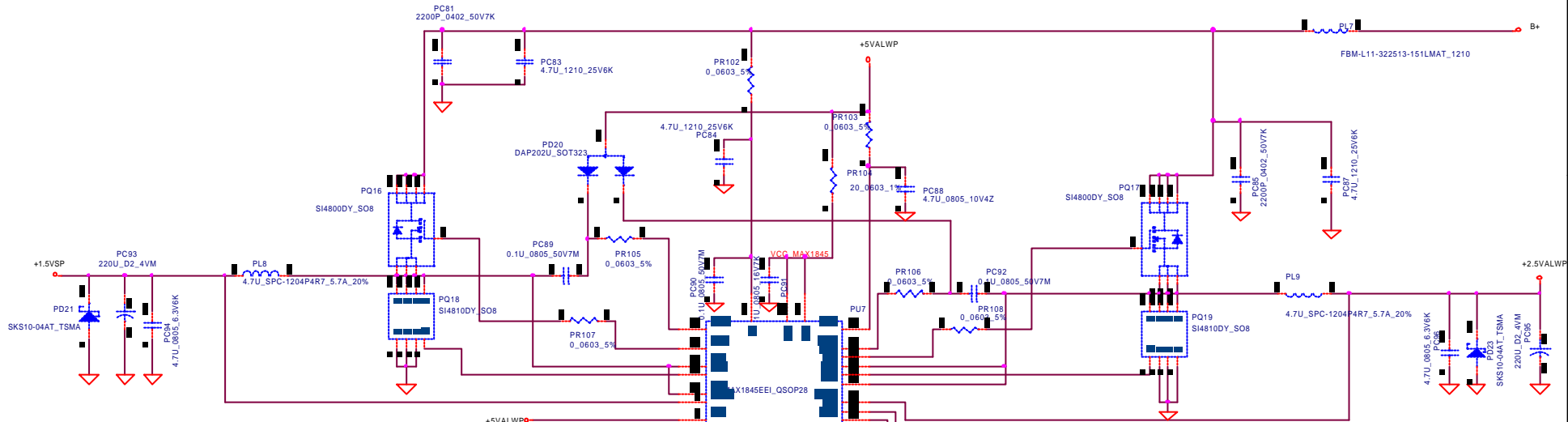
THIS SHEET OF ENGINEERING DRAWING IS THE PROPRIETARY PROPERTY OF COMPAL ELECTRONICS, INC. AND CONTAINS CONFIDENTIAL AND TRADE SECRET INFORMATION. THIS SHEET MAY NOT BE TRANSFERRED FROM THE CUSTODY OF THE COMPETENT DI

<b>Compal Electronics, Inc.</b>		
<b>CHARGER</b>		
Document Number	LA-1811	
Date:	Wednesday, September 24, 2003	Sheet 52 of 66



THIS SHEET OF ENGINEERING DRAWING IS THE PROPRIETARY PROPERTY OF COMPAL ELECTRONICS, INC. AND CONTAINS CONFIDENTIAL AND TRADE SECRET INFORMATION. THIS SHEET MAY NOT BE TRANSFERRED FROM THE CUSTODY OF THE COMPETENT DIVISION OF R&D DEPARTMENT EXCEPT AS AUTHORIZED BY COMPAL ELECTRONICS, INC. NEITHER THIS SHEET NOR THE INFORMATION IT CONTAINS MAY BE USED BY OR DISCLOSED TO ANY THIRD PARTY WITHOUT PRIOR WRITTEN CONSENT OF COMPAL ELECTRONICS, INC.

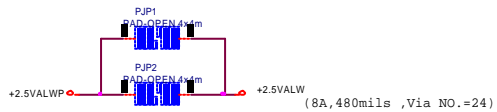
<b>Compal Electronics, Inc.</b>		
<b>5V/3.3V/12V</b>		
Size	Document Number	Rev
		1.0
Date:	Wednesday, September 24, 2003	Sheet 53 of 66



PIR POWER 92.04.16

The related parts will be placed close to power PU7.11

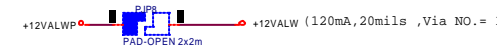
PIR POWER 92.04.16



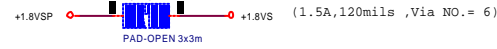
+2.5VALWP (8A, 480mils, Via NO.= 24)



+1.25VSP (2A, 80mils, Via NO.= 4)



+5VALWP (6A, 240mils, Via NO.= 12)



+3VALWP (6A, 240mils, Via NO.= 12)



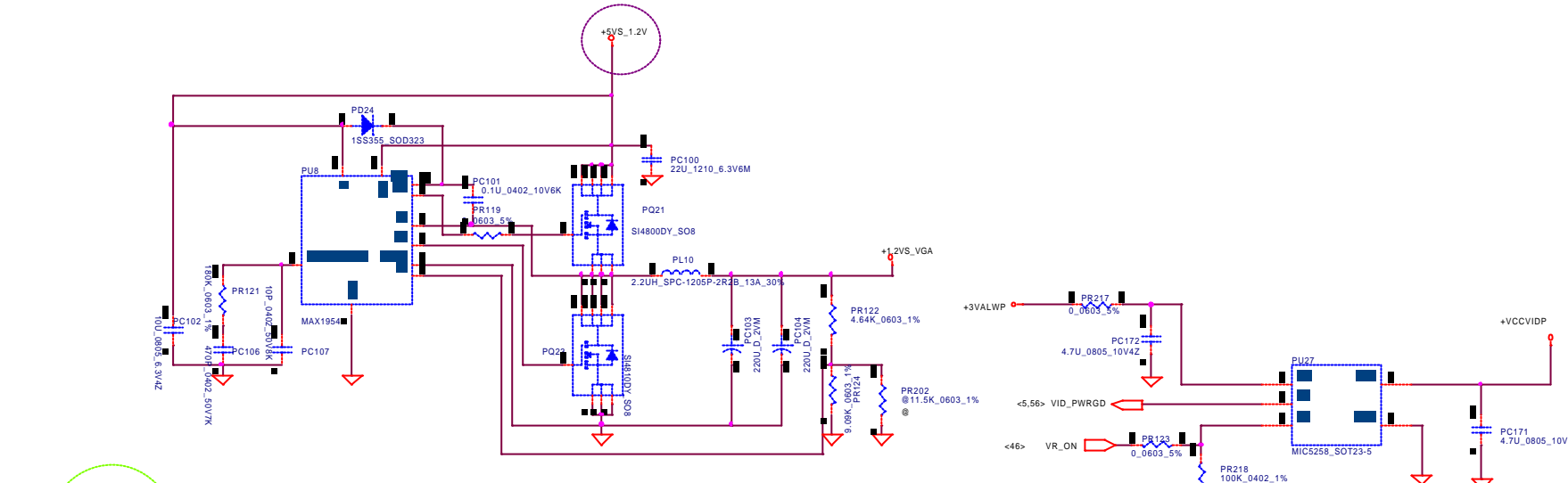
+12VALWP (120mA, 20mils, Via NO.= 1)



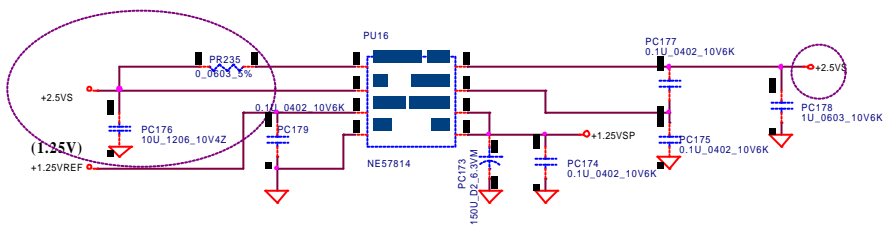
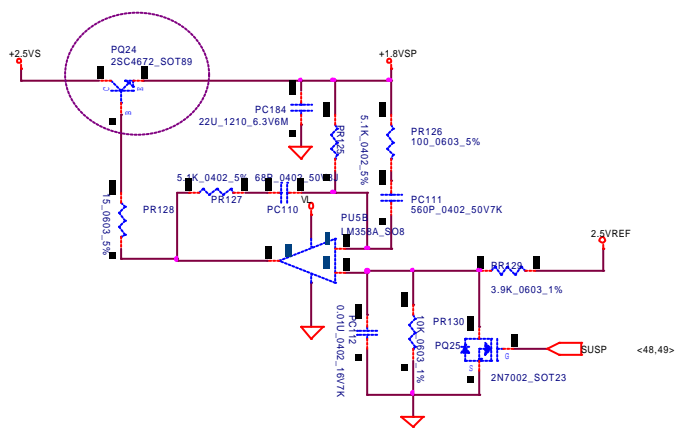
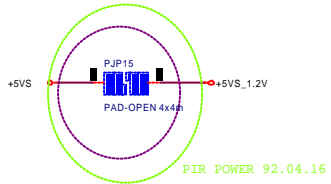
+1.8VSP (1.5A, 120mils, Via NO.= 6)

THIS SHEET OF ENGINEERING DRAWING IS THE PROPRIETARY PROPERTY OF COMPAL ELECTRONICS, INC. AND CONTAINS CONFIDENTIAL INFORMATION. IT IS TO BE USED BY OR DISCLOSED TO ANY THIRD PARTY WITHOUT PRIOR WRITTEN CONSENT OF COMPAL ELECTRONICS, INC.

<b>Compal Electronics, Inc.</b>		
Title <b>DDR POWER 2.5V &amp; 1.5V</b>		
Size B	Document Number	Rev 1.0
Date: Wednesday, September 24, 2003 Sheet 54 of 66		



VGA_CORE		
M9+	1.5V	PR124//PR202 = 5.08K_0603_1%
M10	1.2V	PR124 = 9.09K_0603_1%



**Compal Electronics, Inc.**

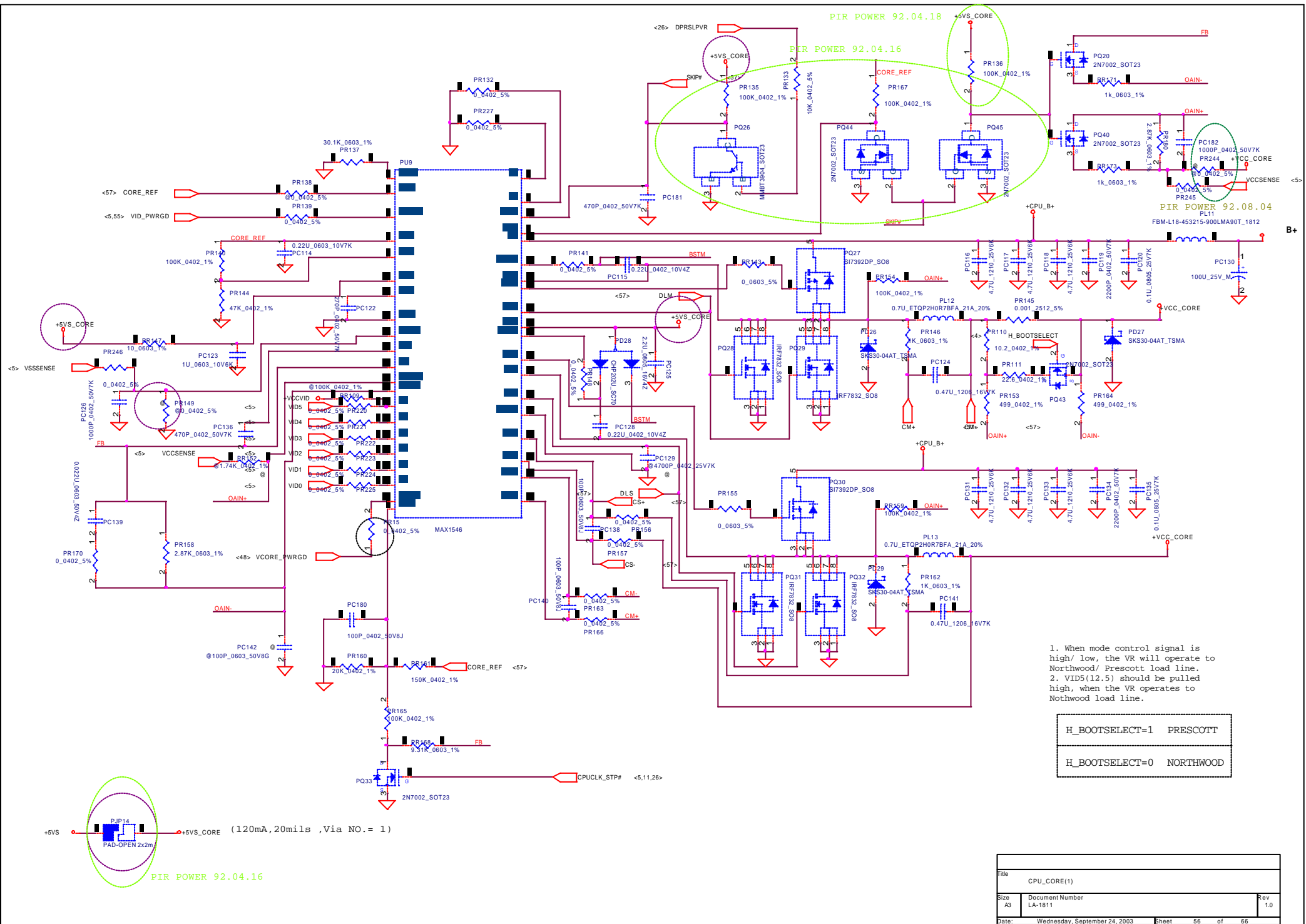
Title: 1.2V/1.8V/VCCVID/1.25V

Size: Document Number

Date: Wednesday, September 24, 2003 Sheet 55 of 66

Rev: 1.0

THIS SHEET OF ENGINEERING DRAWING IS THE PROPRIETARY PROPERTY OF COMPAL ELECTRONICS, INC. AND CONTAINS CONFIDENTIAL INFORMATION. IT IS NOT TO BE REPRODUCED, COPIED, OR DISCLOSED TO ANY THIRD PARTY WITHOUT PRIOR WRITTEN CONSENT OF COMPAL ELECTRONICS, INC.

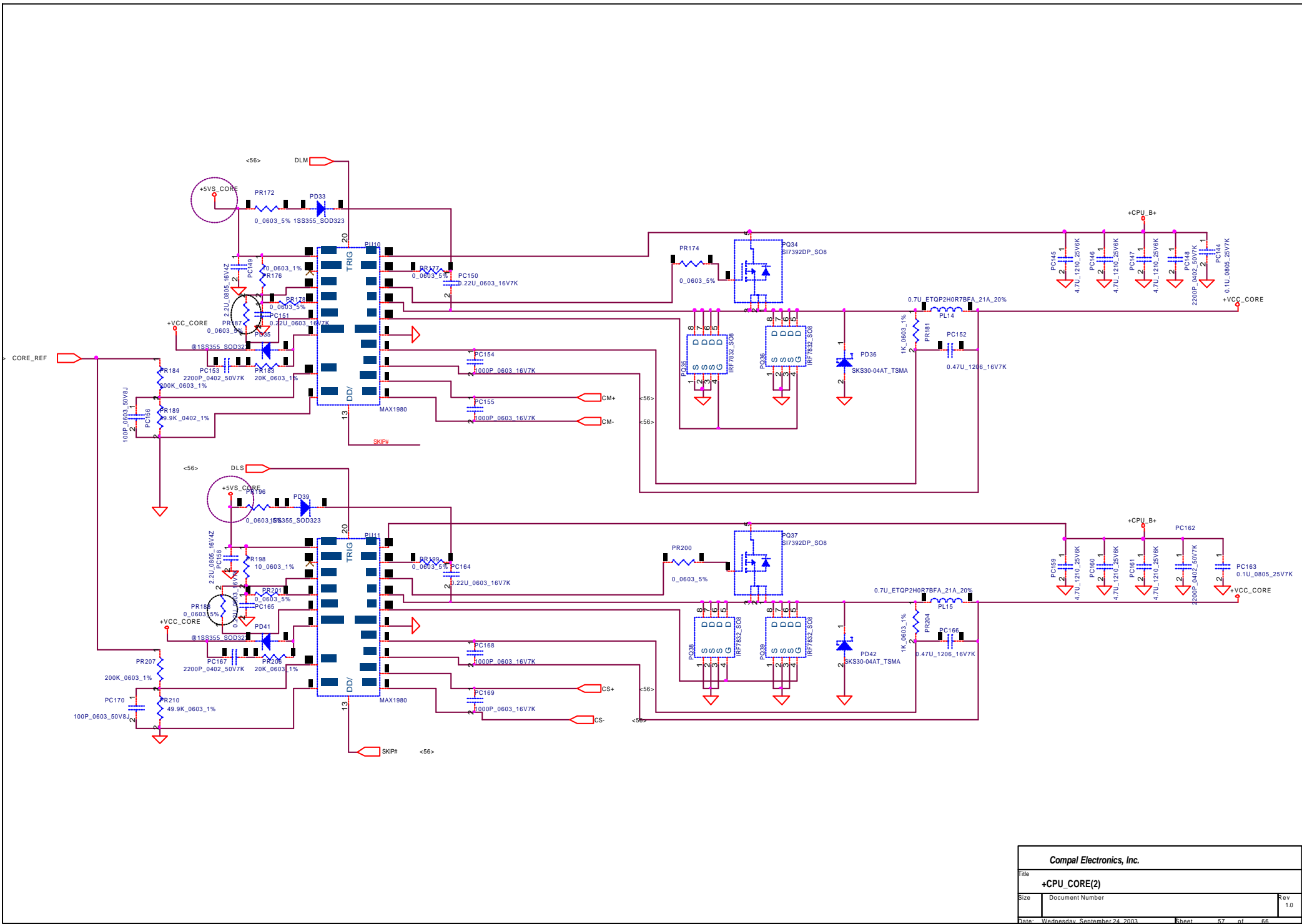


- When mode control signal is high/ low, the VR will operate to Northwood/ Prescott load line.
- VID5(12.5) should be pulled high, when the VR operates to Northwood load line.

H_BOOTSELECT=1	PRESCOTT
H_BOOTSELECT=0	NORTHWOOD

Title		
CPU_CORE(1)		
Size	Document Number	Rev
A3	LA-1811	1.0
Date:	Wednesday, September 24, 2003	Sheet 56 of 66







**BHR60 from DB-1 to DB-2 STEP LA-1811 REV:0.1 -> 0.2 Modify <92.03.17.-92.03.24. >**

**1. Add an independent power source for VGA chip because of ATI request . <Page 12> 92.03.17.**

-Add U53(SI9185),C913,R1023,C912,C914 and related net . (Modify CKT,BOM&Layout)

**2. Modify the Audio related schematic for Customer request . <Page 37> 92.03.17.**

-Add Q101(2N7002);Del R948(2.2K\_0402\_5%);Modify R746(2.2K\_0402\_5%) . (Modify CKT,BOM&Layout)

**3. Change the USB2.0 Controller chip from ATI to NEC and modify the net for Customer request . <Page 26,27,36,44> 92.03.18.**

-Add U54(NEC\_uPD72010F1-EA8),R1024-R1047,R1049,R1051,R1053,R1054,C915-C929,

U55(AT24C02),RP147,RP148,R102,R1059,R1062;Del RP127 . (Modify CKT,BOM&Layout)

-Add R1048,R1050,R1052 . (Modify CKT&Layout)

**4. Modify the Audio related schematic for Customer request . <Page 37,38> 92.03.20.**

-Add R1063(39K\_0603\_1%);Del R768(0\_1206\_5%) . (Modify CKT,BOM&Layout)

-Change C894,C896 from 1U\_0603\_10V6K to 0.1U\_0603\_16V7K . (Modify CKT&BOM)

-Change R974 from @100K\_0402\_5% to 100K\_0402\_5% . (Modify CKT&BOM)

-Change R972 from 100K\_0402\_5% to @100K\_0402\_5% . (Modify CKT&BOM)

-Change JP41.3 from GND to +5VAMP . (Modify CKT&Layout)

**5. Modify the MiniPCI and Bluetooth conn related schematic for Customer request . <Page 43,44> 92.03.21.**

-Add R1083,R1084,R1085(@0\_0402\_5%) . (Modify CKT&Layout)

-Change R300 from 100\_0402\_5% to @100\_0402\_5% . (Modify CKT&BOM)

**6. Modify the USB2.0 related for Compal ATI/NEC Dual Layout request . <Page 27,44> 92.03.21.**

-Add R1069,R1070,R1072,R1073,R1074,R1076,R1077,R1078,R1092,R1093(NEC@0\_0402\_5%) .

(Modify CKT,BOM&Layout)

-Change R976,R977,R978,R979,R982,R983 from 0\_0402\_5% to ATI@0\_0402\_5% and the net .

(Modify CKT,BOM&Layout)

-Add R1071,R1075,R1090,R1091(ATI@0\_0402\_5%) . (Modify CKT&Layout)

**7. Add De-coupling capacitor for AGP power pins on RC300M and VGA chip because of ATI request . <Page 10> 92.03.21.**

-Add C937-C946,C862,C863,C865-C871(0.1U\_0402\_10V6K) . (Modify CKT,BOM&Layout)

**8. Reserve the SMBus1/2 swap Resistors for ATI request . <Page 27> 92.03.23.**

-Add RP150(0\_0404\_4P2R\_5%) . (Modify CKT,BOM&Layout)

-Add RP149(@0\_0404\_4P2R\_5%) . (Modify CKT&Layout)

**9. Add the power source +5V and +1.5VS discharge circuit for ATI request . <Page 49> 92.03.23.**

-Add R1094,R1095(470\_0402\_5%),Q102,Q103(2N7002 1N\_SOT23) . (Modify CKT,BOM&Layout)

**10. Modify the ON1 related to speed up the power sequence for ATI request . <Page 48,54> 92.03.23.**

-Add R1096,R1097(10K\_0402\_5%),Q1043(2N7002 1N\_SOT23),Q105(DTC124EK\_SC59);

Del PR113(47K),PC183(0.1U) . (Modify CKT,BOM&Layout)

**11. Modify power source CAP.'s value by Brian . <Page 26,49> 92.03.24.**

-Change C347,C360 from 0.1U\_0402\_10V6K to 3900P\_0402\_50V7K;C356,C348

from 0.01U\_0402\_16V7K to 2200P\_0402\_25V7K . (Modify CKT&BOM)

-Add C956(180P\_0603\_50V8J) . (Modify CKT,BOM&Layout)

**12. Del Via Hole on schematic for ME modify . <Page 41> 92.03.24.**

-Del H15(H\_C374D295),H29(H\_C197D91) . (Modify CKT,BOM&Layout)

**13. Modify the MiniPCI and Bluetooth conn related for Customer request . <Page 43,44> 92.03.24.**

-Change R1083,R1084 from @0\_0402\_5% to 100\_0402\_5% . (Modify CKT&BOM)

-Add C957(10U\_0805\_10V3M),C958(0.1U\_0402\_10V6K) . (Modify CKT,BOM&Layout)

**14. Swap the USB20\*P3\* and USB20\*P5\* for Customer request . <Page 44> 92.03.24.**

-Modify R1079-R1082,JP43,R980,R981's connection . (Modify CKT&Layout)

A-TEST SMT BUILT

**15. Modify the schematic after rev0.1 debug by Brian . <Page 12,17,26,29> 92.03.24.**

-Change R1010 from @0\_0603\_5% to 0\_0603\_5%;R1011 from 0\_0603\_5% to @0\_0603\_5%;

Q15 from 2SC2411K\_SOT23 to @2SC2411K\_SOT23;R145 from 4.7K\_0402\_5% to @4.7K\_0402\_5%;

R146 from @4.7K\_0402\_5% to 4.7K\_0402\_5%;R967 from @10K\_0402\_5% to 10K\_0402\_5%;

R833 from @0\_0402\_5% to 0\_0402\_5% . (Modify CKT&BOM)

**16. Modify the schematic H\_BOOTSELECT related by Power Team . <Page 04> 92.03.25.**

-Add Q106(2SC2411K\_SC59),Q107(MMBT3904\_SOT23),R1099,R1100(47K\_0402\_5%) .

(Modify CKT,BOM&Layout)

-Change R899 from 0\_0402\_5% to 22K\_0402\_5%;R900 from @0\_0402\_5% to 100K\_0402\_5% .

(Modify CKT&BOM)

**17. Add a power transfer circuit to fix +1.5VS leakage issue . <Page 49> 92.03.25.**

-Add U56(SI4800DY\_S08),Q108(2N7002 1N\_SOT23),R1101(100K\_0402\_5%),C960(0.1U\_0402\_10V6K),

C961(10U\_1206\_6.3V6M),C962(3900P\_0402\_50V7K) . (Modify CKT,BOM&Layout)

**18. Modify power source Resistor and CAP.'s value for power sequence . <Page 49> 92.03.26.**

-Change C347,C360,C962 from 3900P\_0402\_50V7K to 0.1U\_0402\_10V6K;C356,C348 from 2200P\_0402\_25V7K

to 0.1U\_0402\_10V6K;C627,C844 from 1000P\_0402\_50V7K to 0.1U\_0402\_10V6K . (Modify CKT&BOM)

-Change R903,R362 from 100K\_0402\_5% to 91K\_0402\_5% . (Modify CKT&BOM)

-Change R902,R363 from 100K\_0402\_5% to 95.3K\_0603\_1% . (Modify CKT,BOM&Layout)

**19. Modify the ON1 related to speed up the power sequence for ATI request by Brian/James/CT . <Page 48,54> 92.03.26.**

-Del R1096,R1097(10K\_0402\_5%),Q1043(2N7002 1N\_SOT23),Q105(DTC124EK\_SC59) . (Modify CKT,BOM&Layout)

**20. Add the power source +3VS discharge circuit by Brian . <Page 49> 92.03.26.**

-Change Q42 from @2N7002 1N\_SOT23 to 2N7002 1N\_SOT23 . (Modify CKT&BOM)

**21. Change the Resistor's value for ATI recommend . <Page 17 > 92.03.26.**

-Change R264 from 169\_0603\_1% to 2N7002 1N\_SOT23 . (Modify CKT&BOM)

**22. Correct material layout footprint and pin define . <Page 26,34 > 92.03.26.**

-Change Y1,Y3 PCB Footprint and JP32 pin define . (Modify CKT&Layout)

**23. Add the power source +3V discharge circuit for ATI request . <Page 49> 92.03.27.**

-Add R1102(470\_0402\_5%),Q109(2N7002 1N\_SOT23) . (Modify CKT,BOM&Layout)

**24. Change the power sequence related part's power source by Brian . <Page 5,37,48> 92.03.27.**

-Change U32's power source from +3VS to +3VALW . (Modify CKT&Layout)

**25. Modify the power sequence related schematic for timing by Brian . <Page 48> 92.03.27.**

-Change R605 from 1M\_0402\_5% to @1M\_0402\_5%;C606 from 1U\_0603\_10V6K to @1U\_0603\_10V6K .

(Modify CKT&BOM)

-Add Q110(2N7002\_SOT23) . (Modify CKT,BOM&Layout)

**26. Modify the SPDIF related schematic for Customer request . <Page 37,41> 92.03.28.**

-Add R1103(0\_0402\_5%),C963(0.01U\_0402\_50V7K) . (Modify CKT,BOM&Layout)

**27. Modify the NEC USB2.0 Controller Chip related schematic for Customer request . <Page 36> 92.03.28.**

-Add Y7(30MHZ\_30PPM),R1105(100\_0402\_5%),C964(12P\_0402\_50V8J),C965(10P\_0402\_50V8K) .

(Modify CKT,BOM&Layout)

-Add R1104(@0\_0402\_5%) . (Modify CKT&Layout)

-Change R1024 from 0\_0402\_5% to @0\_0402\_5% . (Modify CKT&BOM)

**28. Update the material's Layout Footprint for error correction . <Page 36> 92.03.28.**

-Update JP29,JP14,SW1,SW3-SW8,JP40,Q65 . (Modify CKT&Layout)

**29. Modify the related schematic after Brian Review <Page 7,24,26,29,30,39,43,45> 92.03.31.**

-Del R288(56\_0402\_5%) . (Modify CKT,BOM&Layout)

**30. Modify the related schematic after Layout check <Page 44> 92.03.31.**

-Modify JP16(RJ11 Conn.),5 and JP16.6 from GND to NC . (Modify CKT&Layout)

**31. Update the material's Layout Footprint for error correction . <Page 41> 92.04.02.**

-Update JP40 . (Modify CKT&Layout)

**32. Modify the schematic for cost down . <Page 10,12,26,37> 92.04.04.**

-Change to @(R1005,D79-D82,U53,C912,C913,R1023,Q98,R769,R771) . (Modify CKT&BOM)

----PLEASE SEE NEXT PAGE

THIS SHEET OF ENGINEERING DRAWING IS THE PROPRIETARY PROPERTY OF COMPAL ELECTRONICS, INC. AND CONTAINS CONFIDENTIAL

INFORMATION. NO PART OF THIS SHEET NOR THE INFORMATION IT CONTAINS  
DEPARTMENT EXCEPT AS AUTHORIZED BY COMPAL ELECTRONICS, INC. NEITHER THIS SHEET NOR THE INFORMATION IT CONTAINS  
MAY BE USED BY OR DISCLOSED TO ANY THIRD PARTY WITHOUT PRIOR WRITTEN CONSENT OF COMPAL ELECTRONICS, INC.

Compal Electronics, Inc.		
H/W2 EE Dept. PIR SHEET(1)		
Size	Document Number	Rev
	LA-1811	1.0
Date:	Wednesday, September 24, 2003	Sheet 59 of 66

**BHR60 from DB-2 to SI-1 STEP LA-1811 REV:0.3 -> 0.4 EE Modify**

<92.04.08 -> 92.04.18 >

1. **FDD Connector JP33 Pin define sequence error. <Page 35> 92.04.08.**

-Change JP33 sequence JP33.4->JP33.1, JP33.3->JP33.2, JP33.2->JP33.3, JP33.1->JP33.4. (Modify EE Circuit)

2. **LED Circuit to Power Button(PRES)modify. <Page 42, Page 46> 92.04.09.**

-Move Q66.1-R883-D56 -> Q62.1-R883-D56(PRES). (Modify EE Circuit)

-Rename Q62.2 net PWR\_BACK# change to PWR\_ACTIVE# connect to EC U15.119. (Modify EE Circuit)

3. **Add +1.2VS\_VGA Discharge Circuit. <Page 49> 92.04.09.**

-Add +1.2VS\_VGA Discharge Circuit(R1116 , Q115 to SUSP). (Modify EE Circuit)

4. **Add 3VDDCDA & 3VDDCCL pull hing CRT\_VCC circuit. <Page 25> 92.04.09.**

-Add Q13.1-R1117 to +CRT\_VCC & Q14.1-R1118 to CRT\_VCC. (Modify EE Circuit)

5. **PCMCIA U37 NET S1\_CE2# & S1\_CE1# Sweep. <Page 31> 92.04.09.**

6. **MDC(JP17) Net AC97\_SData\_In1/AC97\_SData\_In2 to AC97\_Data\_In. <Page 44> 92.04.10.**

-Update BOM add R326. (Modify EE Circuit)

7. **Change NB DDR Bus Net for basic on ATI NB DDR Bus Layout rule. <Page 9, 14, 15, 16> 92.04.11.**

-Add R1122(DDRA\_CKE\_R3), R1121(DDRA\_CKE\_R2). (Modify EE Circuit)

-Del R399(DDRA\_CS#0), R400(DDRA\_CS#2). (Modify EE Circuit)

8. **Check BOM USB OUVUR R893&R895 470K change to 330K. <Page 44> 92.04.10.**

9. **Add SUSP# pull Down. <Page 46> 92.04.14.**

-Add EC U15.115 to SUSP# pull Down @R1123 to GND. (Modify EE Circuit)

10. **Add CPUCLK\_STP# pull High Circuit. <Page 26, 5> 92.04.14.**

-BOM Q113 -> @ , Add R1124 to Q113.1 & Q113.3. (Modify EE Circuit)

-Add CPUCLK\_STP# pull High @R1126 to +3VS . (Modify EE Circuit)

-Add CPUCLK\_STP# serial resistor R1125 to Q96.2. (Modify EE Circuit)

11. **Change BOM R585 75 -> 0 & R996 33 -> 68(REFCLK1\_NB). <Page 11, 24> 92.04.15.**

12. **SIO Circuit All Power Plan +3V -> +3VS. <Page 39> 92.04.15.**

13. **Add NEC USB Constralor U54.P19(SRMOD) pull Low. <Page 36> 92.04.16.**

-Add USB Constralor U54.P19(SRMOD) pull Low R1127 to GND. (Modify EE Circuit)

-Update BOM R1046 -> @. (Modify EE Circuit)

14. **Add @R1132 pull High +3V(RTS1#) & @RP153 pull High +3V(CTS1#/DSR1#/DCD1#/RI1#). <Page 39> 92.04.16.**

15. **Change BOM C364, C23, C24, C40, C798 47U -> 22U. <Page 8,28,41> 92.04.17.**

16. **Change BOM R380 430 -> 412(U27.A9/CPU\_RSET#). <Page 8> 92.04.17.**

17. **Change BOM D57 HSMG-C170 -> 12-21SYGC/S530-E1, R1014 @ -> Del @. <Page 42> 92.04.17.**

18. **Change BOM C191 4.7U -> 2.2U. <Page 17> 92.04.17.**

19. **Change BOM C202,C931 10U -> 2.2U. <Page 20> 92.04.17.**

20. **Change BOM R636 100K-> @10K, R637 100K-> @10K, R665 -> @. <Page 33> 92.04.17.**

21. **Change MC\_CD# - D44.3(SA\_A25) -> D45.2, D44.2(SA\_A22). <Page 33> 92.04.17.**

22. **Add R1135 -> VTT\_PWRGD(U15.165). <Page 46> 92.04.18.**

23. **Add R1136, Q116, R1137, R1138 for pull High +3VS(CARD\_LED#). <Page 42> 92.04.18.**

24. **Change BOM Q67 -> @, R884 -> @(CARD\_LED#). <Page 42> 92.04.18.**

25. **Change BOM C966 22U -> 0.1U. <Page 18> 92.04.18.**

26. **Change BOM C916 -> @, C917 -> @. <Page 36> 92.04.18.**

27. **Change BOM R1019 -> @(U47.17 JS1) pull High. <Page 37> 92.04.18.**

28. **Change BOM R264 47 -> 137(U6.PM27 AGPTST). <Page 17> 92.04.18.**

**BHR60 from DB-2 to SI-1 STEP LA-1811 REV:0.3 -> 0.4 Layout Modify**

<92.04.08 -> 92.04.18 >

1. **FDD Connector JP38 PCB Footprint error. <Page 40> 92.04.09.**

-Check JP38 ACES\_85201-2605\_26P. (Modify Layout)

2. **Power Switch U53 PCB Footprint error. <Page 12> 92.04.09.**

-Change U53 SI9185\_MLP33-8->MSOP8. (Modify Layout)

3. **Crystal Y4 PCB Footprint error. <Page 11> 92.04.09.**

-Change Y4 Y\_TXC\_6X1430004201\_20P->KDS\_DSX840GA. (Modify Layout)

4. **USB Key Connector JP46 Part error. <Page 44> 92.04.09.**

-Change JP46 S W-CONN ACES 85205-0400 4P P1.25(ACES\_85205-0400\_4P)->S H-CONN ACES 85201-0405 4P P1.0(ACES\_85201-0405\_4P). (Modify Layout)

5. **Change BOM & Layout LED D57 Footprint. <Page 42> 92.04.15.**

-Change D57 HSMG-C170 to LED\_12-21SYGC\_S530-E1\_TR8. (Modify Layout)

6. **Change Layout Keyboard Connector JP13 Footprint. <Page 45> 92.04.15.**

-Change JP13 ACES\_85201-2402\_24P -> ACES\_85201\_2405\_24P. (Modify Layout)

7. **Change Layout FrontSideboard Connector JP42 Footprint. <Page 44> 92.04.15.**

-Change JP42 ACES\_85201-1402\_14P -> ACES\_85201\_1405\_14P. (Modify Layout)

----PLEASE SEE NEXT PAGE

THIS SHEET OF ENGINEERING DRAWING IS THE PROPRIETARY PROPERTY OF COMPAL ELECTRONICS, INC. AND CONTAINS CONFIDENTIAL

INFORMATION. IT IS TO BE USED BY OR DISCLOSED TO ANY THIRD PARTY WITHOUT PRIOR WRITTEN CONSENT OF COMPAL ELECTRONICS, INC.

<b>Compal Electronics, Inc.</b>		
H/W2 EE Dept. PIR SHEET(2)		
Size	Document Number	Rev
	<b>LA-1811</b>	1.0
Date:	Wednesday, September 24, 2003	
Sheet	60	of 66

BHR60 from DB-2 to SI-1 STEP LA-1811 REV:0.3 -> 0.4 EE Modify

<92.04.08.~92.04.18. >

29. Change U13.P1 <-> U13.P5, U14.P1 <-> U14.P5. <Page 43> 92.04.21.

30. Change R994.1 - AGP\_DEVSEL# -> AGP\_SBA1(DDC\_DAT), R995.1 AGP\_IRDY# -> AGP\_SBA0(DDC\_CLK). <Page 10> 92.04.21.

31. Add CLK\_14M\_APIC Terminte R,C @R1143 10/@C973 15P. <Page 26> 92.04.21.

32. Change SPR JP40 33,34 DOCKVIN -> GND , JP35,36 GND -> DOCKVIN , . <Page 41> 92.04.21.

33. Change BOM Q65 DTC124EK\_SC59 -> MMBT3904\_SOT23. <Page 41> 92.04.21.

34. Del @R1104, @R1089, @C953(CLK\_SB\_48M). <Page 36> 92.04.21.

35. Add @R1142 pull High(DOCK\_LOUT\_R). <Page 38> 92.04.21.

36. Add C971 & R1140 for VOLBTN+#, R1141 & C972 for VOLBTN-#, R1131 pull High +5VS, @R1139 pull High +3V. <Page 41> 92.04.21.

37. Add R520 @ -> Del @(JP8.AE26 COMPAT#). <Page 5> 92.04.23.

38. Change BOM R539, R540 61.9 -> 51.1 (JP8.L24/P1 COMP0/COMP1). <Page 5> 92.04.23.

39. Change BOM R553 100 -> 49.9, R558 169 -> 100. <Page 5> 92.04.23.

40. Change BOM R383 100 -> 49.9, R384 169 -> 100. <Page 8> 92.04.23.

41. Add R1001 @4.7K -> Del @, 100K pull Low(DPRSLPVR). <Page 26> 92.04.23.

42. Change BOM R40 @ -> Del @, R53 -> @. <Page 29> 92.04.23.

43. Change BOM R792 -> @, R795 @ -> Del @. <Page 39> 92.04.23.

44. Change BOM R230 -> @. <Page 4> 92.04.23.

45. EMI add R1144 for SSOUT. <Page 10> 92.04.24.

46. EMI change D73, D74, D75, D76 part. <Page 38> 92.04.24.

47. Add C974 pull Low for +NB\_AGP. <Page 17> 92.04.24.

48. Change BOM R623 10K -> 0. <Page 25> 92.04.28.

49. Change BOM R622, R619 10K -> @. <Page 25> 92.04.28.

BHR60 SI STEP LA-1811 REV:0.4 EE MEN <92.04.28. >

1. Change C781 SE077106M00 -> SE054106Z10. <Page 39> 92.04.28.

2. Change C963 -> @. <Page 41> 92.04.28.

3. Change C974 -> @. <Page 17> 92.04.28.

4. Change C742 -> (SD028000000) 0 Ohm. <Page 37> 92.04.28.

5. Add R771 -> (SD028470100) 4.7K Ohm. <Page 37> 92.04.28.

6. Add C747 -> (SE070104Z00) 0.1U. <Page 37> 92.04.28.

7. DEL R761,R762 <Page 37> 92.04.28.

BHR60 from DB-2 to SI-1 STEP LA-1811 REV:0.3 -> 0.4 Layout Modify

<92.04.08.~92.04.18. >

----PLEASE SEE NEXT PAGE

THIS SHEET OF ENGINEERING DRAWING IS THE PROPRIETARY PROPERTY OF COMPAL ELECTRONICS, INC. AND CONTAINS CONFIDENTIAL INFORMATION.  
DEPARTMENT EXCEPT AS AUTHORIZED BY COMPAL ELECTRONICS, INC. NEITHER THIS SHEET NOR THE INFORMATION IT CONTAINS  
MAY BE USED BY OR DISCLOSED TO ANY THIRD PARTY WITHOUT PRIOR WRITTEN CONSENT OF COMPAL ELECTRONICS, INC.

<b>Compal Electronics, Inc.</b>		
H/W2 EE Dept. PIR SHEET(2)		
Size	Document Number	Rev
	LA-1811	1.0
Date:	Wednesday, September 24, 2003	
Sheet	61 of 66	

**BHR60 from SI-1 to DB(15.4") LA-1811 REV:0.4 -> 0.5 HW PIR**  
**<92.05.07.~92.05.30. >**

Item	Fixed Issue	Reason for change	PAGE	Modify List	M.B. Ver.
1		Prevent CPUCLK_STP# abnormal state happened	5 26 29	Change R1125 from 4.7K to 12K Delete R1126 Change R40 from 10K to 1K	0.5
2		Prevent power leakage	7	Change the power of U8 from +3VS to +3VALW	0.5
3		Power saving	7	Change the power of Fans from +5VALW to +5VS	0.5
4		ATI recommendation	8	Add C974	0.5
5		Add VGA DRAM size detect function	17	Add R1149 for 128MB VGA DRAM (un-populate for 64MB)	0.5
6		Add CS1# for Hynix 8Mx32 VGA DRAM	18, 19, 22, 23	Add Nets: NMCSA1# and NMCSB1#	0.5
7		Change MP+X VGA_CORE from +1.5VS to individual power source	21	Delete JOPEN3	0.5
8		Delete useless components	5 25 27	Delete R538 Delete C96 Delete Q114, Add R1145	0.5
9		<del>Solve power leakage from GRT</del>	<del>25</del>	<del>Change R619.1 and R622.1 net from +5VS to GRT_VCC</del>	<del>0.5</del>
10		Prevent DPRSLPVR abnormal state happened	26	Change R1001 from 100K to 47K, R1002 from 0 to 47K	0.5
11		Using rechargeable RTC battery for HP's request	26	Delete D66, D71 and D72; Add D91 (BAS40-04, the same as LA-1761 D30); Change BATT1 from CR1220 to ML1220 (the same as LA-1761 BATT1)	0.5
12		Prevent +5V drop while plug SPR for HP's request	41	Change JP40.3, C798.1, C800.1 and C801.1 net from +5V to USB_VCCA; Change C798 from 22u to @10u; Change C801 from 1000p to @1000p	0.5
13		Enhance brightness of blue LEDs	42, 45 44	Delete C67, R883, R884, R942 and R943; Add C117 and R1146; Change R881, R882, R885, R888, R889, R890, R925 and R1136 to 220 Change JP42.2 from BATLED_0 to BATLED_0#; Change JP42.7 from N.C. to +5VALW; Change JP42.12 from PAV_GND to PAV_LEDVCC; Change JP42.13 from PMLED_1 to PMLED_1#; Change JP42.14 from PAV_GND to +5VS; Change JP45.7 from PRES_GND to PRES_LEDVCC; Change JP45.8 from PRES_GND to +5VS	0.5
14		Solve PWR_ACTIVE LED function fail issue	42 46	Change power from +3VS to +5V for PWR_ACTIVE LED (D52 and D56) Add R1147 and R1148; Change U15.76 net from N.C. to PWR_ACTIVE_PRES#; Change U15.87 net from N.C. to PRES_DETECT; Change U15.119 net from PWR_ACTIVE# to PWR_ACTIVE_PAV#	0.5
15		Solve M10 can't power up issue	49	Change R1101 from 100K to 56K; Change R901 from 91K to 27K	0.5
16		Add discharge components	49	Add R372, R1095, R1102, Q36, C103 and Q109	0.5
17		Material change for ME's request	44	Change JP47 from ACES_88231_0200 to MOLEX_53398_0290 (the same as LA-1761 JP2)	0.5
18		Using NEC USB2.0 to support BT for HP's request	44	Change R1082.2 net from USB3+ to USB5+; Change R1081.2 net from USB3- to USB5-	0.5
19		Increase MONO_IN voltage level	37	Change R738 from 2.4K to 10K	0.5
20		Decrease Audio AMP Gain	38	Change R971 from 100K to @100K; Change R973 from @100K to 100K	0.5

Update with Item23

THIS SHEET OF ENGINEERING DRAWING IS THE PROPRIETARY PROPERTY OF COMPAL ELECTRONICS, INC. AND CONTAINS CONFIDENTIAL INFORMATION. IT IS TO BE USED BY OR DISCLOSED TO ANY THIRD PARTY WITHOUT PRIOR WRITTEN CONSENT OF COMPAL ELECTRONICS, INC.

<b>Compal Electronics, Inc.</b>		
<b>H/W2 EE Dept. PIR SHEET(2)</b>		
Size	Document Number	Rev
	<b>LA-1811</b>	1.0
Date:	Wednesday, September 24, 2003 Sheet 62 of 66	

BHR60 from SI-1 to DB(15.4") LA-1811 REV:0.4 -> 0.5  
 HW PIR <92.05.07.-92.05.30.>

BHR60 from DB to SI LA-1811 REV:0.5 -> 0.6  
 HW PIR <92.06.20.-92.07.03.>

Item	Fixed Issue	Reason for change	PAGE	Modify List	M. B. Ver.
21		RTL8101L no need transistor for 3.3V to 2.5V anymore  REALTEK recommendation	34	Delete C65, R944 and C668  Change R704 from 5.6K_0402_5% to 5.6K_0402_1%	0.5
22		Connector Spec. change for ME's request	44	Change PCB Footprint from SUVIN_020167MR004S012R_4P to suyn_020167mr004s11zx_4p for JP18, JP19 and JP20	0.5
23		Solve Tr and Tf of H-sync/V-sync over Spec issue for high resolution CRT	25	Delete C68, C64, R619, R620, R621 and R612; Add U57, U58 and R1150	0.5
24		Delete useless components with BOM	10 24	Delete R574, R1066 and C952 Delete R210 for UMA only	0.5
25		Add SB to control H_PROCHOT# for HP's request	26	Add Q118 and R1151	0.5
26		Add components for EMI	37 40 40	Add R1152 Add L65 - L78 Add L79 - L97	0.5
27		Solve DOS cold-boot shunt down issue	7	Delete C256	0.5
28		Decrease overshoot & undershoot	25	Add R1153 and R1154	0.6
29		Change SB GPIO0 and GPIO2 pull-down to GND	26	Delete RP126; Add R1155- R1157	0.6
30		Only 0603 size in SAP for 5.6K_1%	34	Change component size of R704 from 0402 to 0603	0.6
31		The pin-definition of FDD com. was error on rev0.5 M/B	40	Correct the pin-definition for JP38	0.6
32		VIA recommendation	40	Change RP119 from 1K to 330; Delete RP121; Add R7 and R?	0.6
33		Enhance brightness of Docking LEDs	41	Change R880 from 10K to 470	0.6
34		To support wake-up function with TP	44	Change TP power from +5VS to +5V	0.6
35		Delete useless components	5 12 17 20 24 25 26 27 29 37 38 39	Delete R535, R536, R991 and R992 Delete U53, C912-C914, D79-DB2, R954, R1010-R1012 and R1023 Delete Q15 and R251 Delete R1022 Delete R211 and R216 Delete C93-C95 and C930 Delete Q113, R1124 and D91; Add D93 Delete RP149, RP150, R1145 and C114 Delete R53 Delete L45, R1019, Y6, R756, C740 and C741 Delete R1142 Delete RP153 and R1132	0.6
36		To improve RTC accuracy	26	Change Y1 from +/-20ppm to +/-10ppm	0.6
37		Solve Cardbus controller can't reset well issue	31	Delete R905, R941 and C906; Connect U37.C11 to G_RST#	0.6
38		Add components for EMI	37 40	Add L98 and L99 Add C975, C976, CP15-CP17	0.6
39		Improve Audio quality	37 38 41	Delete C753-C756; Add R1165-R1168 and C979 Add R1158 and R1164; Exchange the nets of JP41.2 and JP41.3 Add R1161	0.6
40		Add components for ID & ME	42	Add D92	
41		Modify +5V power-up timing to lead +3V	49	Change R904 from 91K to 47K	

THIS SHEET OF ENGINEERING DRAWING IS THE PROPRIETARY PROPERTY OF COMPAL ELECTRONICS, INC. AND CONTAINS CONFIDENTIAL INFORMATION. DEPARTMENT EXCEPT AS AUTHORIZED BY COMPAL ELECTRONICS, INC. NEITHER THIS SHEET NOR THE INFORMATION IT CONTAINS MAY BE USED BY OR DISCLOSED TO ANY THIRD PARTY WITHOUT PRIOR WRITTEN CONSENT OF COMPAL ELECTRONICS, INC.

**Compal Electronics, Inc.**  
 H/W2 EE Dept. PIR SHEET(2)

Size	Document Number	Rev
	<b>LA-1811</b>	1.0
Date:	Wednesday, September 24, 2003 Sheet 63 of 66	

BHR60 from SI-1 to PV LA-1811 REV:0.6 -> 0.7  
 HW PIR <92.07.03.-92.08.08.>

Item	Fixed Issue	Reason for change	PAGE	Modify List	M.B. Ver.
42		Correct Y1 and Y3 pin-out	26 46	Using pin-1 and pin-2 of these crystals	0.7
43		ATI Product Advisory, refer to PA_2181XP01	44	Delete R65, R66, R67, R70, R72, R75, R79, R82, R86, R89, R94 and R95	0.7
44		Solve CD-ROM audio noise issue	30	Delete C11	0.7
45		Solve audio noise issue	37	Change R733.1 from +5VS to +5VAMP_CODEC	0.7
46		For EMI	38	Add L100, L101, L102 and L103	0.7
47		For FIR detect	39	Add R1173(no fir) and R1174(with FIR)	0.7
48		ATI recommendation	27 46	Change RP12 from 10K to 2.2K Add R1175	0.7
49		Delete useless components	46	Delete D69 and D70	0.7
50		To support wake-up function with TP	46	Delete RP154; Add R1169, R1170, R1171 and R1172	0.7
51		Solve M10 can't power up issue	49	<del>Delete C844</del> Change R901 from 27K to 6.8K	0.7
52		Improve Tr and Tf of H-sync/V-sync for high resolution CRT	25	Decrease the R,L,C value	0.7
53		Modify brightness of LEDs	42 45	Change Transistors from BJT to PMOS and Resistors value for Pav; Change Resistors value for Pre.	0.7
54		Fast power on for battery only	45	Change R306 from 100K to 470; Delete C112	0.7
55		Improve contact		Move JP2(CD-ROM conn.) right 0.65mm	0.7
56		Correct Caps. LED and Numl. LED placement		Exchange the placement of these LEDs	0.7
57		Solve audio noise issue		Out the bridge between AGND and DGND in GND1 layer	0.7
58		Reserve for EMI	37	Add JOPEN6, JOPEN7 and JOPEN8	0.7
59		Improve USB2.0 signal quality	36	Change R1027, R1029, R1030, R1031, R1032, R1033, R1034 and R1035 to 42.2	0.7
60		Reserve VRAM detect function for ATI recommendation	17	Connect R256/R257 to ZV_DATA0/ZV_DATA1, and pull-up to +3VS	1.0
61		For EMI	38 48 36 7 24 26 28 37 41 25	Change C761-C764 to 470pF and pull-down to D-GND; Change L100-L103 to MKX201221YZ1(ZA) Delete C110-C115 Change L39, R1079 & R1080 to CHB1608U301 Add C855, C856, C907 and C908 Change L11 & L12 to MBV2012301YZ1 Change R31 check-damping resistors to 39 ohm Add C873-C881, C980-C983; Change R60-R62 to MBV2012301YZT Delete R769 & R770; Add C984-C992 & L104 Add L105 Add C993 & C994	1.0
62		Reduce GHI# "LOW" voltage level	5	Change R527 to 300 ohm	1.0
63		Fix "Pop" sound during boot up	37	Add C979	1.0
64		For PCB skew reducing	42 45	Change R885, R888, R890, R1136 and R925 to 130	1.0
65		TI recommendation	32	Add R1177	1.0
66		Solve audio L/R swap issue	37 44	Change R750 & R753 to 27 ohm Delete R327 & C305	1.0

THIS SHEET OF ENGINEERING DRAWING IS THE PROPRIETARY PROPERTY OF COMPAL ELECTRONICS, INC. AND CONTAINS CONFIDENTIAL INFORMATION. DEPARTMENT EXCEPT AS AUTHORIZED BY COMPAL ELECTRONICS, INC. NEITHER THIS SHEET NOR THE INFORMATION IT CONTAINS MAY BE USED BY OR DISCLOSED TO ANY THIRD PARTY WITHOUT PRIOR WRITTEN CONSENT OF COMPAL ELECTRONICS, INC.

<b>Compal Electronics, Inc.</b>		
<b>H/W2 EE Dept. PIR SHEET(2)</b>		
Size	Document Number	Rev
	<b>LA-1811</b>	1.0
Date:	Wednesday, September 24, 2003 Sheet 64 of 66	



# Version Change List ( P. I. R. List ) for Power Circuit

Item	Page#	Title	Date	Request Owner	Issue Description	Solution Description	Rev.
1	54,55,56,57	wrong layout pad	03/25/2003	Compal	wrong layout pad	change to correct layout pad on PU7, PU8, PU9, PU10, PU11, PU16 and PQ24	0.2
2	56	DPRSLPVR	03/25/2003	Compal	Reserve two resistors for voltage of Deep-sleeper mode	Reserver PR231, PR232, PR233, PR234 for deeper-sleeper mode voltage setting	0.3
3	56	CPU VR-Cont.	03/25/2003	Compal	Reserve a jumper for power consumption measurement	Add PJP14	0.3
4	57	CPU VR-Cont.	03/25/2003	Compal	Change the netname +5VS_CORE for power consumption measurement	Change Netname of +5VS_CORE	0.3
5	51	RTC charger	03/25/2003	Compal	use two resistors for RTC charger protection	Add PR230	0.3
6	55	1.2VS_VGA	03/25/2003	Compal	re-layout 1.2V_VGA requested by ME	re-located both PLL0 and PQ21, PQ23 as well as 1.2VS_VGA related power circuitry	0.3
7	55	1.2VS_VGA	03/26/2003	Compal	Reserve a jumper for power consumption measurement	Add PJP15	0.3
8	55	+1.25VSP	03/26/2003	Compal	Change power time-sequence of 1.25VSP input power	Change VD, and VDD of PU16 from +2.5VALWP to +2.5VS; Connect PR235.2 to +2.5VS add a resistor PR235 for Stand/By pin for test	0.3
9	54	+1.5VALWP	03/27/2003	Compal	Reserve Force PWM function of 1.5V/2.5V and add a PR236 for SUSP# signal	Add PR237, PR238 for force PWM function control, and add PR236 for SUSP# signal	0.3
10	54	+1.5VALWP	04/16/2003	Compal	change 1.5V time sequence	Change power time-sequence of 1.5VSP input power	0.4
11	56	CPU DPRSLPVR	04/16/2003	Compal	Change DPRSLPVR design	Add two transistor PQ44,PQ45 for voltage of Deep-sleeper mode	0.4
12	54 55 56	PWR JUMP	04/16/2003	Compal	For DFX issue	Change power JUMP SIZE to follow new jump role	0.4
13	56	CPU DPRSLPVR	04/18/2003	Compal	Change DPRSLPVR design	Reserve DPRSLPVR function and add a PR136 for +5VS_CORE signal	0.4
14	50	Vin DETECTOR	04/30/2003	Compal	to make ACIN to enable to pull low	Change PR8 form 10k_0603 to 0K_0603	0.4
15	50	Precharge	04/30/2003	Compal	BOM error	Change PR1 from 10k_0603 to 100k_0603	0.4
16	51	Battery OTP	04/30/2003	Compal	To change feekbeck time	Change PC20 from .22u to 1u ;PR40&PR42 from 100k to 150k; PC80 from 1u to .47u	0.4
17	51		04/30/2003	Compal	change component	Change PU3 from S-81233SGUP-T1 to S-812C33AUA-C2N	0.4
18	52	Battery_OVP	04/30/2003	Compal	To avoide the BATT_OVP output to oscillate	Delet PC44&PR71	0.4
19	53	5V/3.3V/12V	04/30/2003	Compal	BOM error	Change PD16 from EC31Q04 to EC11FS2	0.4
20	53	5V/3.3V/12V	04/30/2003	Compal	To improve the 3V output ripple Voltage	Delet PC77	0.4

Compal Electronics, Inc.		
Changed-List History-1		
Size	Document Number	Rev
	LA-1811	1.0
Date: Wednesday, September 24, 2003 Sheet 65 of 66		

# Version Change List ( P. I. R. List ) for Power Circuit

Item	Page#	Title	Date	Request Owner	Issue Description	Solution Description	Rev.
21	55	1.2VS_VGA	04/30/2003	Compal	BOM errors	Change PR121 from 511k to 180k;PR122 form 9.09k to 4.64k	0.4
22	50	Precharge detector	05/16/2003	Compal	System can't power on by battery	Add PR191(909K_0603),PR192(47k_0603),PRPQ46(2N7002)&PQ47(DTC115EUA_SC70) Change PR5 from 150k to 180k	0.5
23	51	Colok THROTTLING	05/16/2003	Compal	To modify the circuit	Add PR193(73.2k) ,PC97(0.01U_0603); change PR22 form 84.5K to 11.5K	0.5
24	56,57	CPU_CORE(1&2)	05/16/2003	Compal	Change the fregeuce 300k to 200k	delet PR138 ; add PR187(0_0603)&PR188(0_0603)	0.5
25	52	Charger	05/16/2003	Compal	To modify the charger circuit	Add PR194(1K) ,PC98(0.1U_0603),PR195(47K) ,PO48(DTA144EUA) ,PO49(DTC115EUA) ,PO50(2N7002) ,PD30(1SS355)	0.5
26	55	1.2VS_VGA	05/16/2003	Compal	To modify the circuit for 1.2VS_VGA &1.5VS_VGA	add PR124(11.5k_0603)	0.5
27	53	3V/5V/12V	07/4/2003	Compal	To modify the DCR sense	Add PR81(3.4k) ,PR78(3.4K),PR79(0_0402) ,PR85(0_0402),PC67(0.1U_0603) ,PC68(0.1U_0603);delet PR86,PR88,PR90,PR93	0.6
28	56	CPU_CORE	07/4/2003	Compal	To modify THE CPU Load line form -1.5mV/A to -2.2mV/A	Change PR158,PR180 from 2k to 3.4k	0.6
29	56,57	CPU_CORE(1&2)	07/4/2003	Compal	To improve the CPU_CORE effecient	Change PL12,PL13,PL14,PL15 from TOHO to PANASONIC	0.6
30	50	DC_in	08/4/2003	Compal	For Gibson issue ,add two schottky diodes	add PD43(SBM1040-13_powermite3) ,PD44(SBM1040-13_powermite3)	0.7
31	52	Charger	08/4/2003	Compal	To modify the Precharge circuit	Add PD30(1SS355_SOD323) ,PC98 (0.1U_0603),PR195(47K_0402),PQ49(DTC115EUA_SC70) ,PQ50(2N7002)	0.7
32	53	3V/5V/12V	08/4/2003	Compal	To solve the DCR sense for 5V OCP issue	change PR81(1.27k) ,PR78(1.54K),PR79(0_0402) ,PR85(0_0402),PC67(0.47U_0603) ,PC68(0.47U_0603);add PR241(1.24k) ,PR242(620 ohm) ,PR243(698 ohm)	0.7
33	56	CPU_CORE	08/4/2003	Compal	To modify THE CPU Load line form -2.2mV/A to -1.5mV/A, and senes CPU VCC and VSS	Change PR158,PR180 from 3.4k to 2.2k and add PR244 (0 ohm) and PR245(0 ohm)	0.7
34	52	Charger	08/4/2003	Compal	To improve the charger feedback loop for charger noise issue	Change PR52 (47k_0603),PR57(1K_0603),PC36(1500P_0603)	0.7