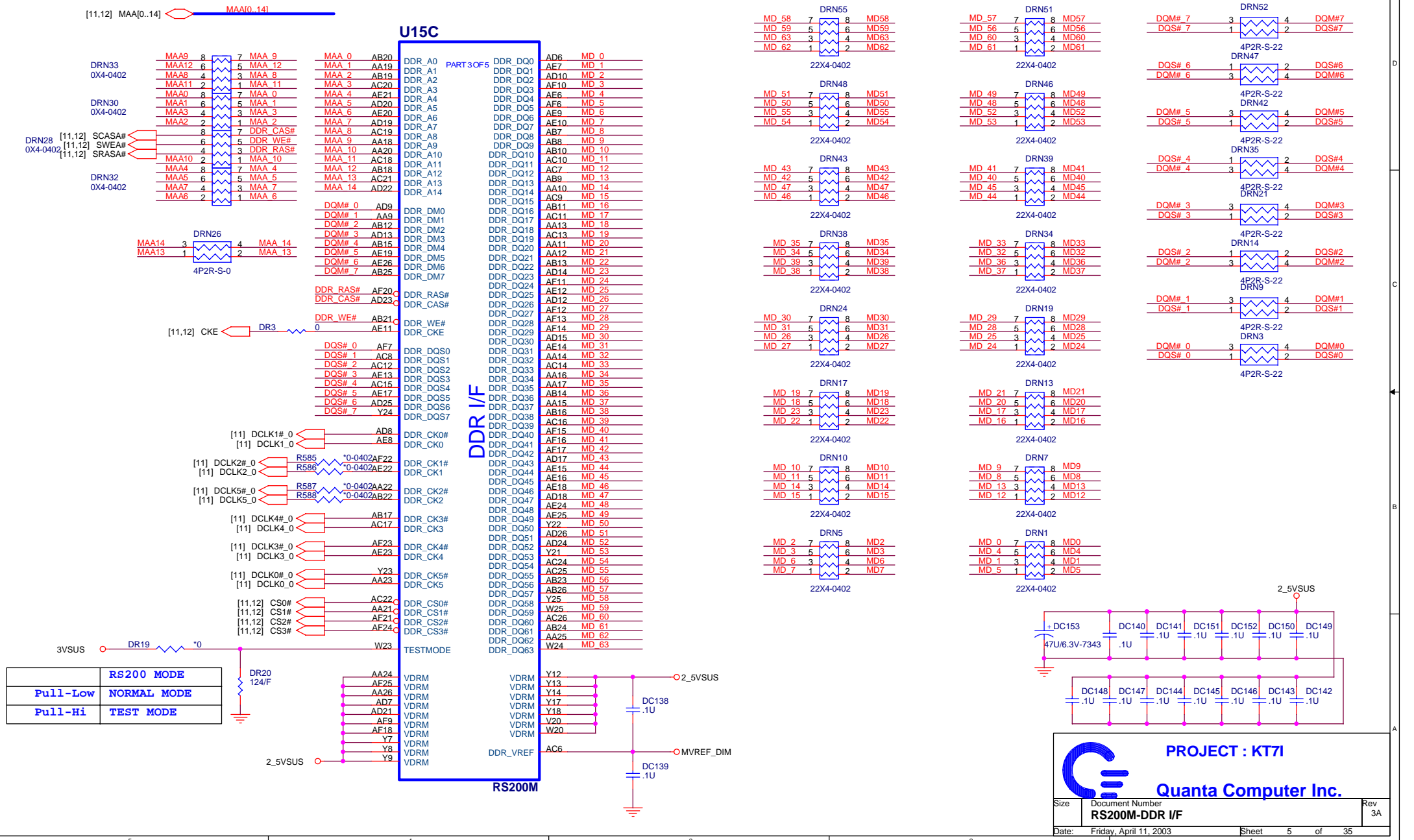
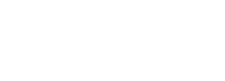
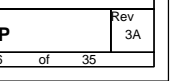
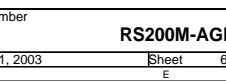
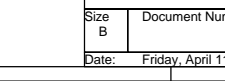
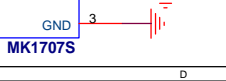
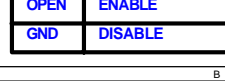
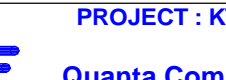
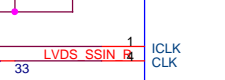
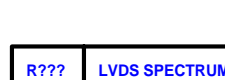
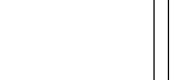
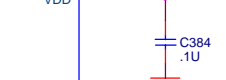
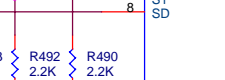
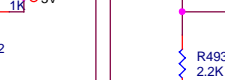
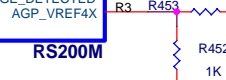
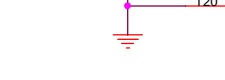
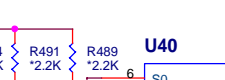
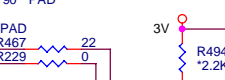
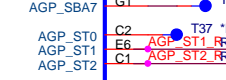
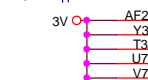
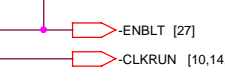
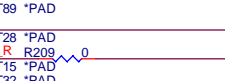
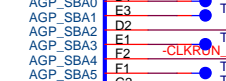
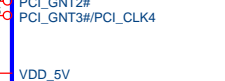
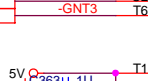
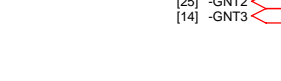
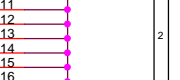
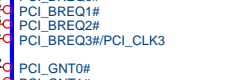
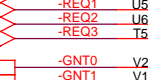
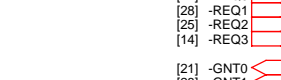
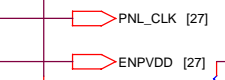
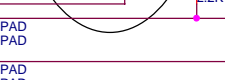
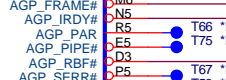
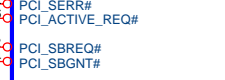
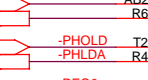
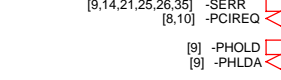
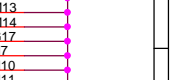
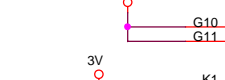
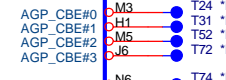
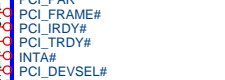
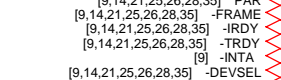
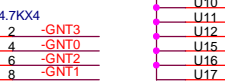
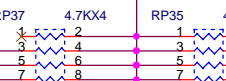
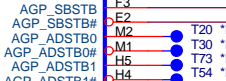
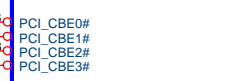
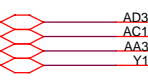
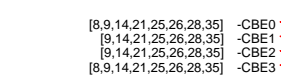
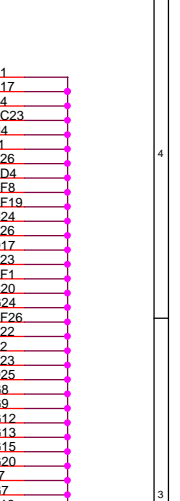
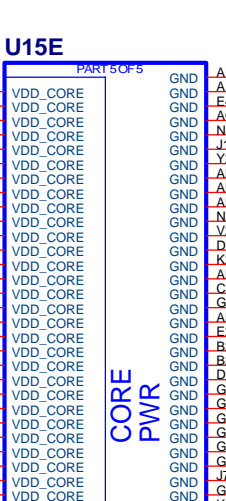
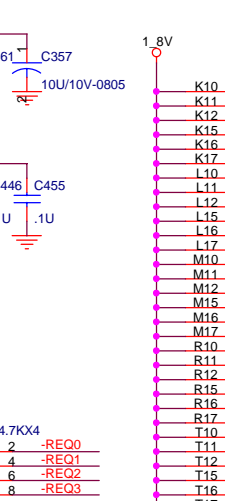
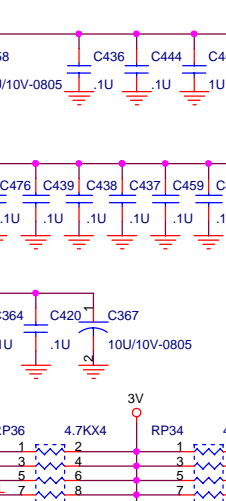
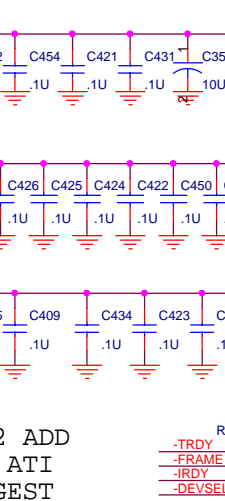
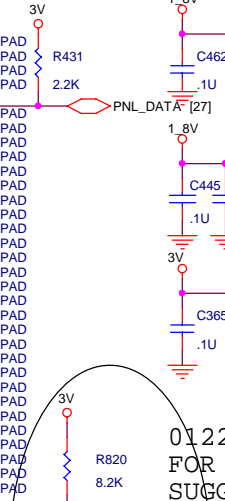
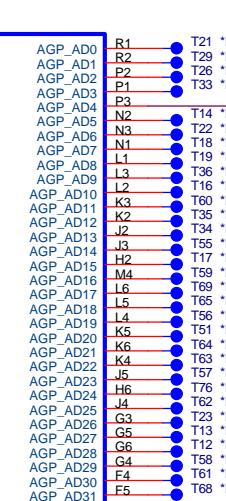
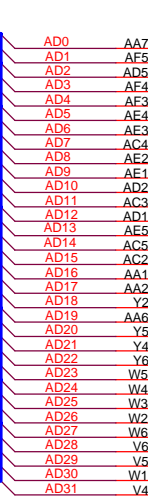
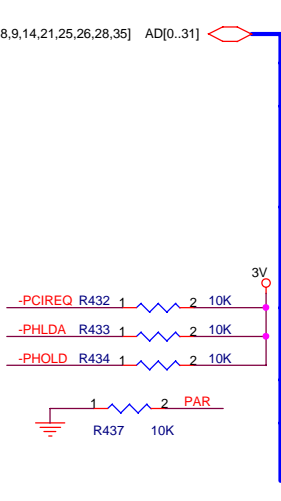


ATI_RS200M - 2 (DDR Interface)





R???	LVDS SPECTRUM
OPEN	ENABLE
GND	DISABLE

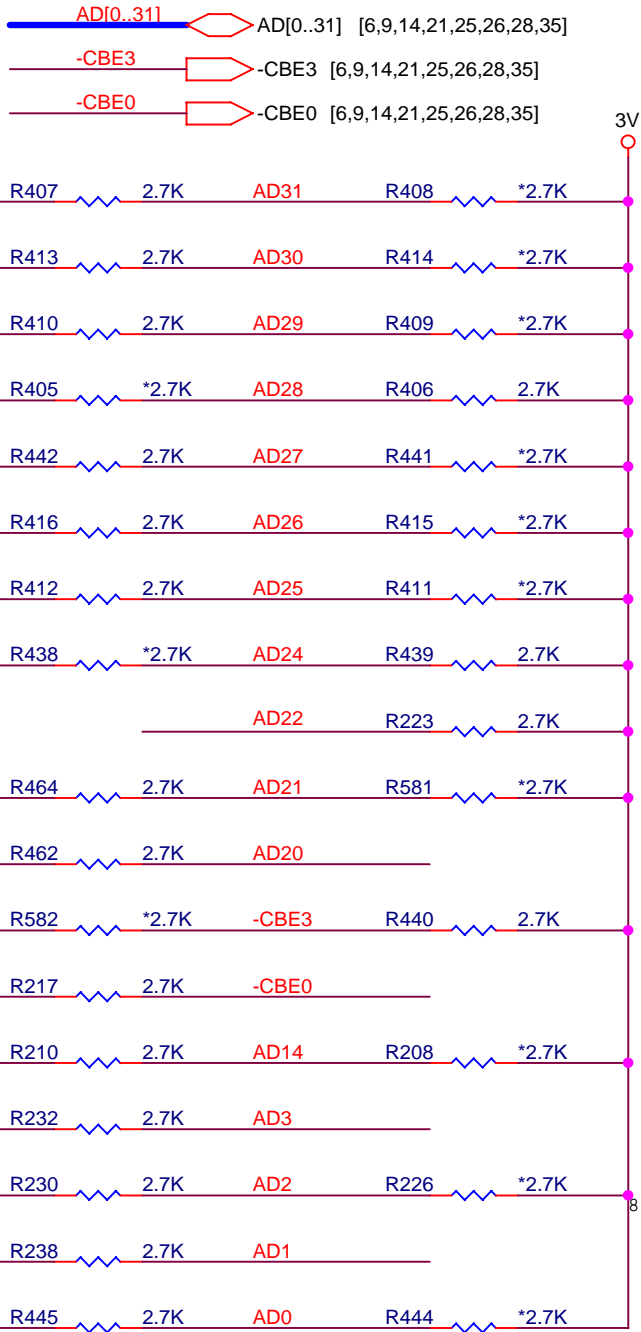
0122 ADD FOR ATI SUGGEST

PROJECT : KT71

Quanta Computer Inc.

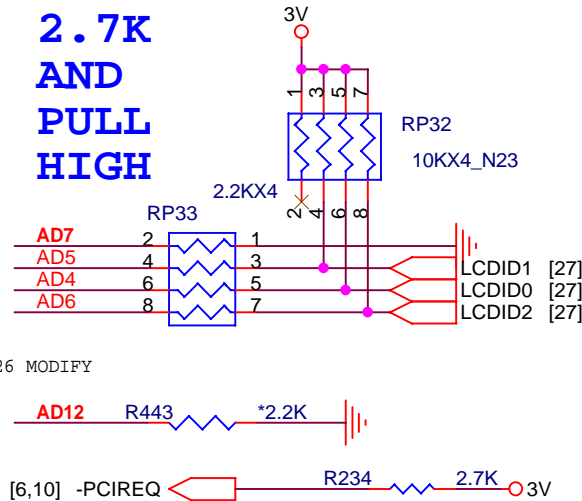
Size B	Document Number	Rev 3A
RS200M-AGP		
Date: Friday, April 11, 2003	Sheet 6 of 35	

SYSTEM CONFIG. & N.B H/W STRAPPING



AD[30..31] : CLK SPEED DEFAULT: 00	00: 100 MHZ 01: 133 MHZ 10: 166MHZ 11: 66 MHZ	AD15 : RESERVED
AD29: RS200M FULL CONFIGURATION DEFAULT:1	0: FULL CONFIGURATION 1: USES DEFAULT VALUES	AD14 : AGTL+ VDDQ DEFAULT: 0
		0: 1.2V MOBILE PART 1: 1.7V DESKTOP PART
AD28: SPREAD SPECTRUM ENABLE DEFAULT:0	0: DISABLE 1: ENABLE	AD13: RESERVED
AD27: MCERR OBSERVATION DEFAULT: 1	0: DISABLE 1: ENABLE	AD[12] : FLAT PANEL ID MSB
AD26: QUICK START SELECT DEFAULT : 1	0: DISABLE 1: ENABLE	AD10 : RESERVED
AD25: INIT OBSERVATION DEFAULT : 1	0: DISABLE 1: ENABLE	AD09 : RESERVED
AD24: IOQ ENABLE DEFAULT : 1	0: DISABLE 1: ENABLE	AD[7..4] : FLAT PANEL ID
AD23 : RESERVED		AD3: PCI66 MODE DEFAULT: 0
		0: 33MHz 1: 66MHz
AD22: 27MHz/33 MHz CLOCK SELECTION DEFAULT : 1	0: 33 MHz CLOCK OUTPUT 1: 27 MHz CLOCK INPUT	AD2: CAL DEFAULTS FOR CPU DEFAULT: 1 (FOR BRING UP)
		0: DISABLE 1: ENABLE
AD21 : RESERVED	0: PLL Bypass mode disable(Normal mode) 1: PLL Bypass mode enable(Debug only)	AD1: FrcShortReset DEFAULT: 0
		0: DISABLE 1: ENABLE
AD20 : PCICLK EXPANSION DEFAULT : 0	1: PCI_REQ#3, PCI_GNT#3 USED AS PCICLK 0: PCI_REQ#3, PCI_GNT#3 USED AS REQ/GNT	AD0: PCI/AGP CONFIG. DEFAULT : 1
		1: 66 MHz 0: 33 MHz
CBE#3: PROD TEST DEFAULT : 1	0: SHORT TIMERS 1: NORMAL OPERATION	PCI_PREQACT#: INTERNAL CLOCK GEN. DEFAULT : 1
		0: DISABLE 1: ENABLE

**2.7K
AND
PULL
HIGH**

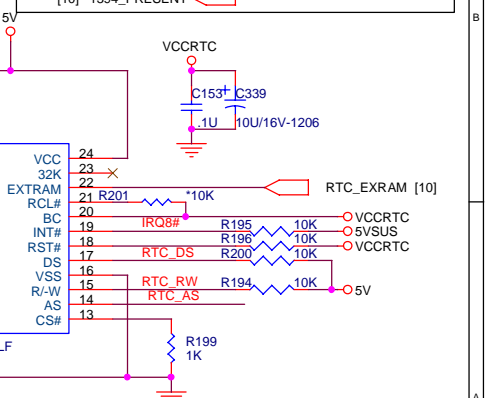
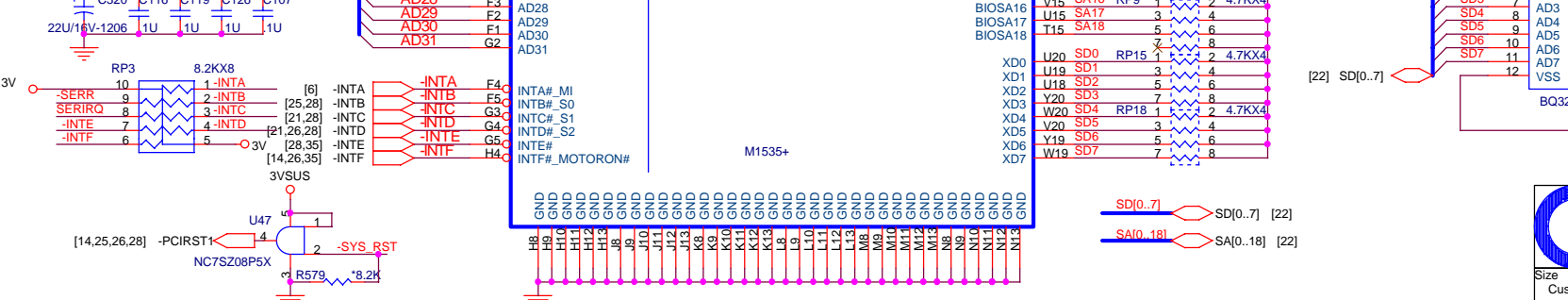
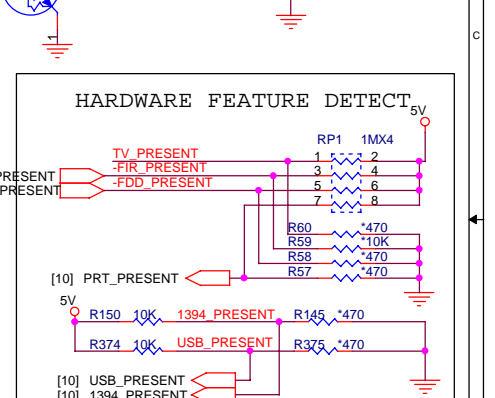
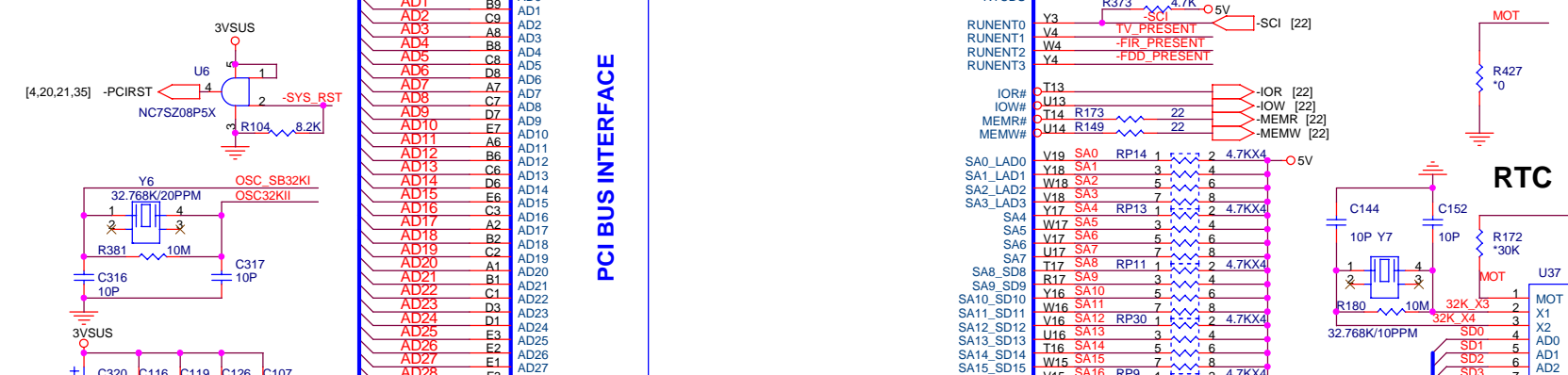
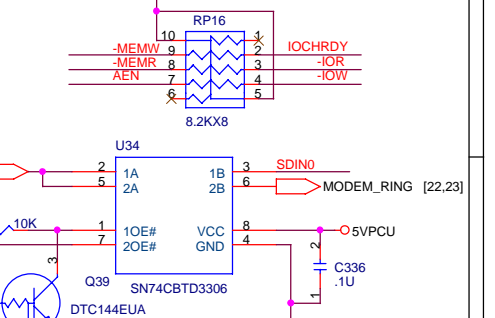
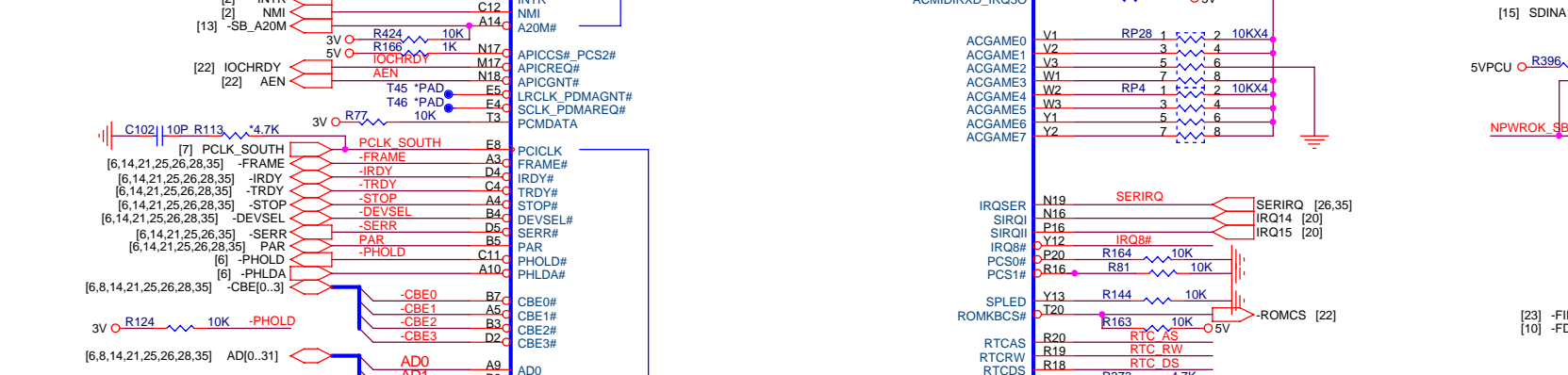
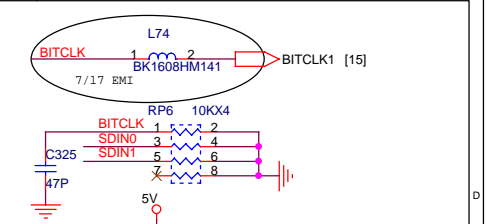
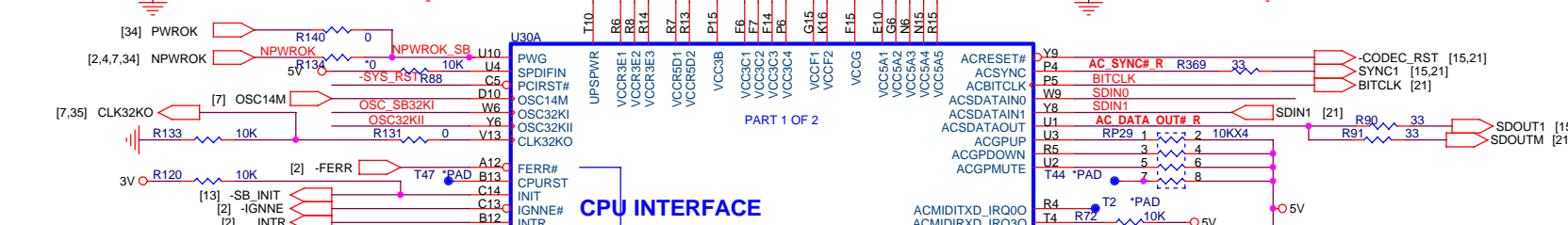
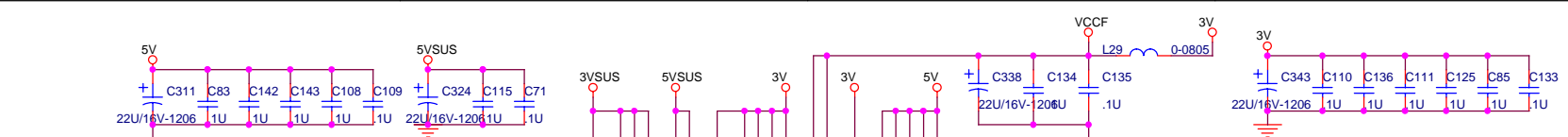
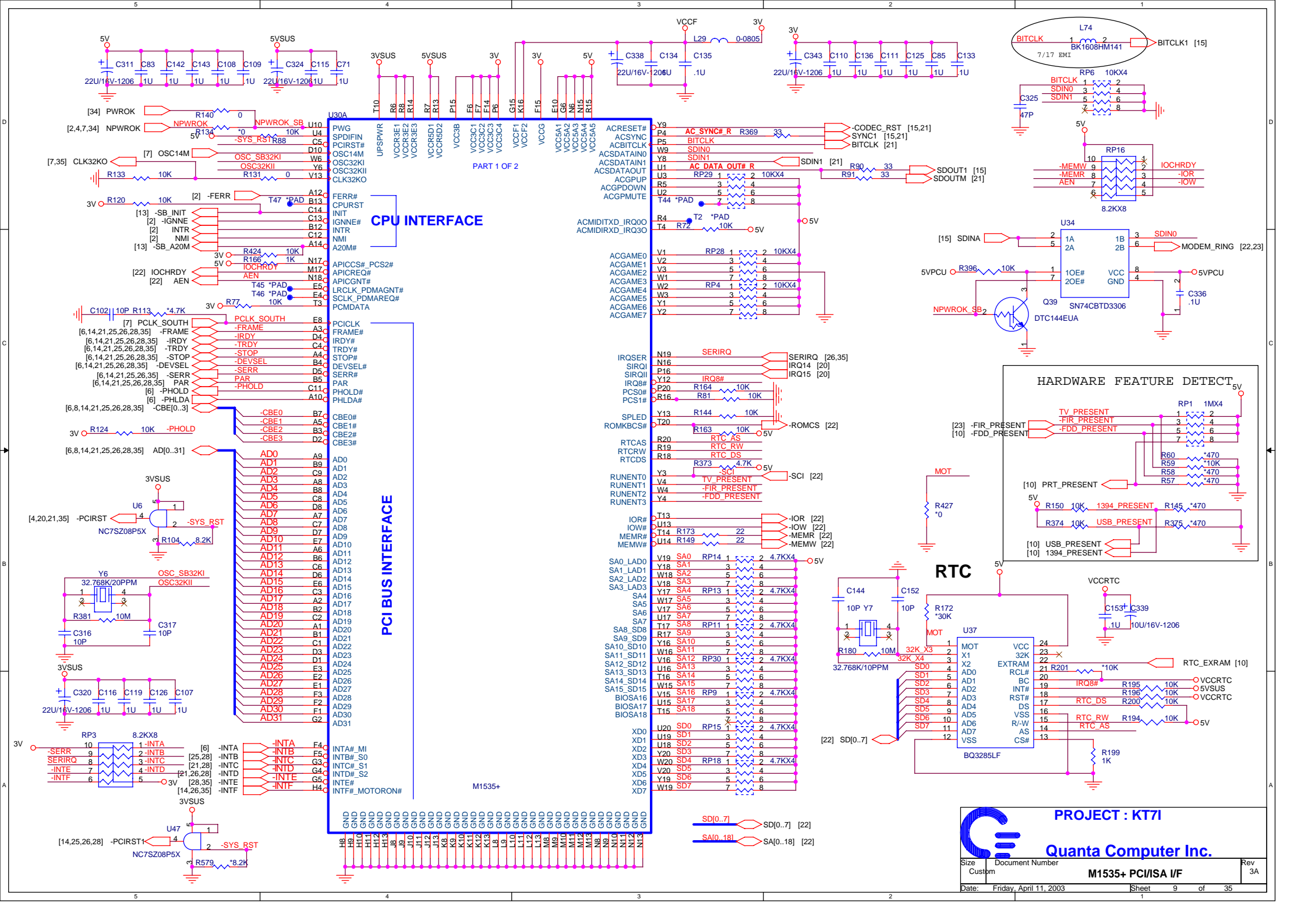


Panel IDs

PROJECT : KT7I

Quanta Computer Inc.

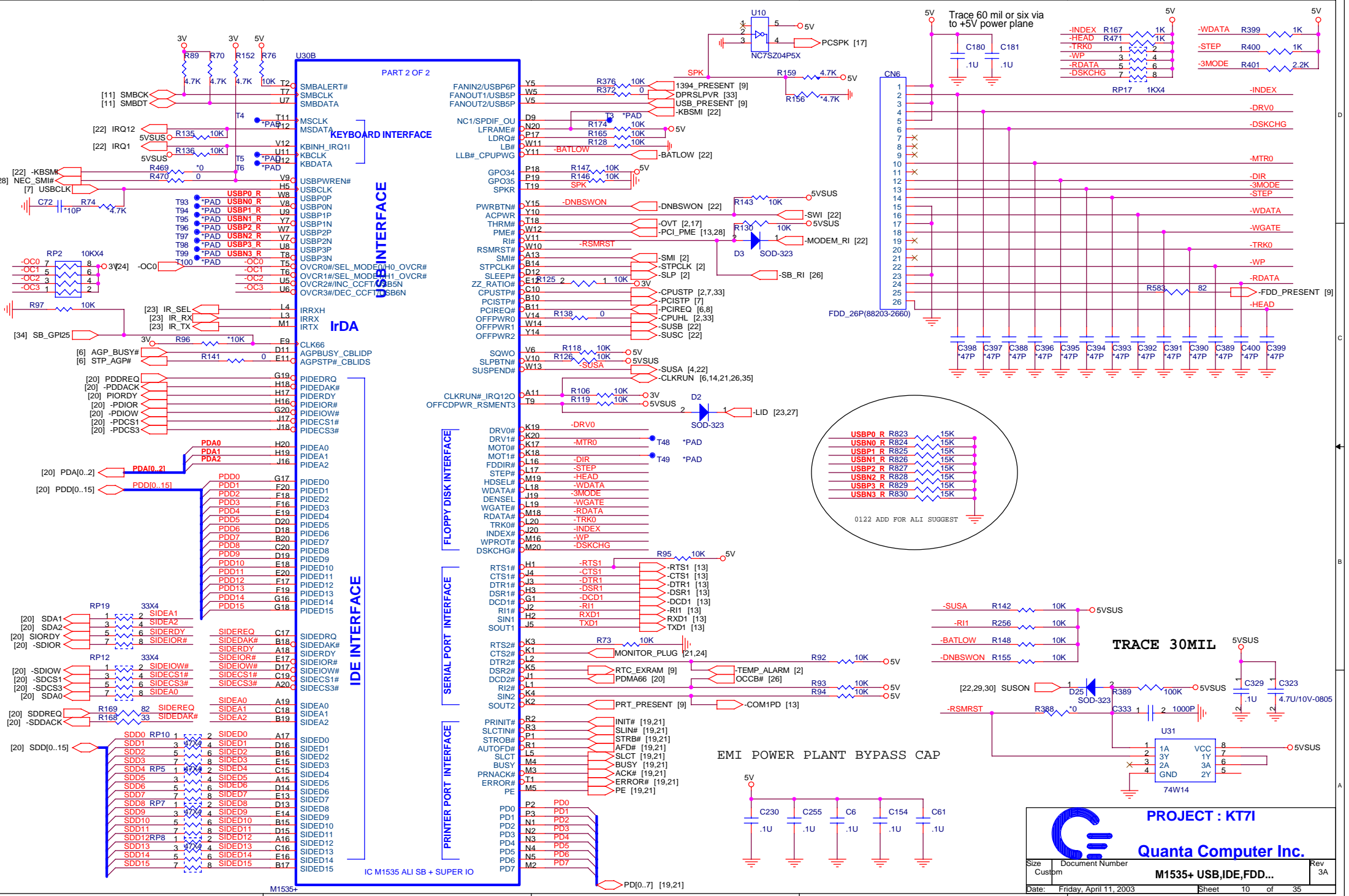
Size Custom	Document Number RS200M config setting	Rev 3A
Date: Friday, April 11, 2003	Sheet 8 of 35	



PROJECT : KT71

Quanta Computer Inc.

Size: Custom Document Number: M1535+ PCI/ISA I/F Rev: 3A Date: Friday, April 11, 2003 Sheet: 9 of 35

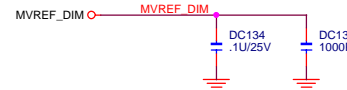
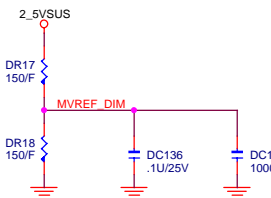
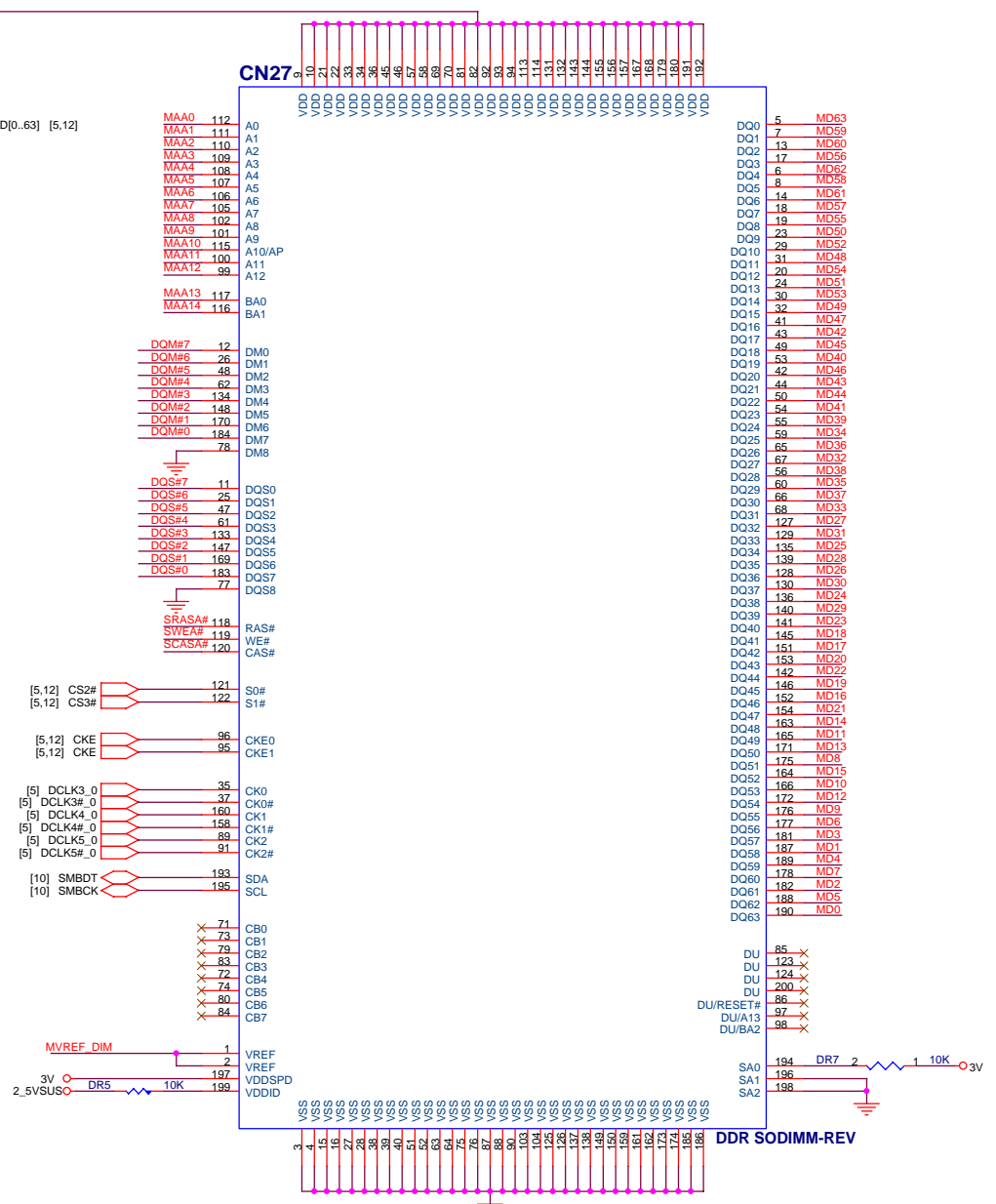
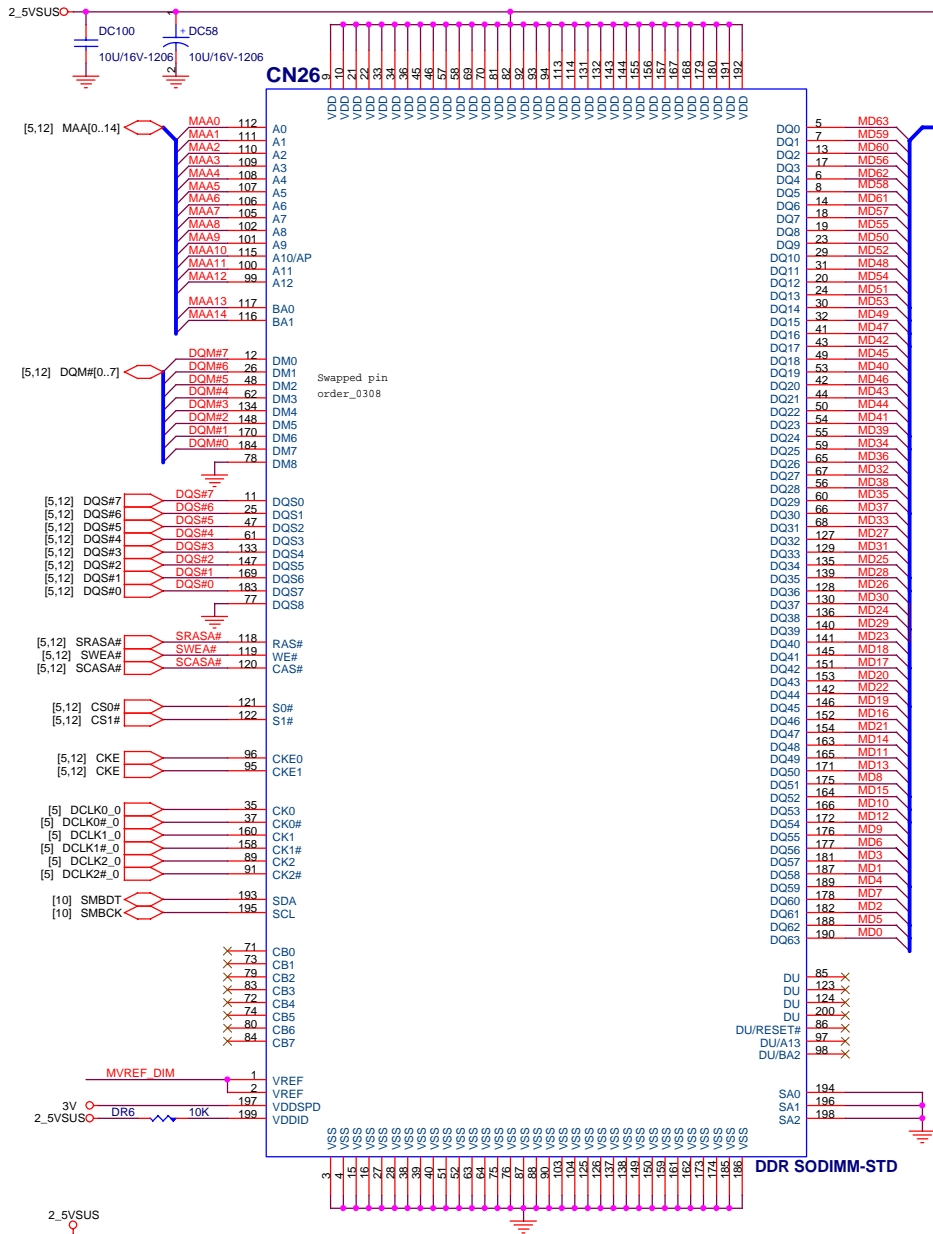



PROJECT : KT71

Quanta Computer Inc.

Size	Document Number	Rev
Custom	M1535+ USB,IDE,FDD...	3A
Date:	Friday, April 11, 2003	Sheet 10 of 35

DDR - Modules

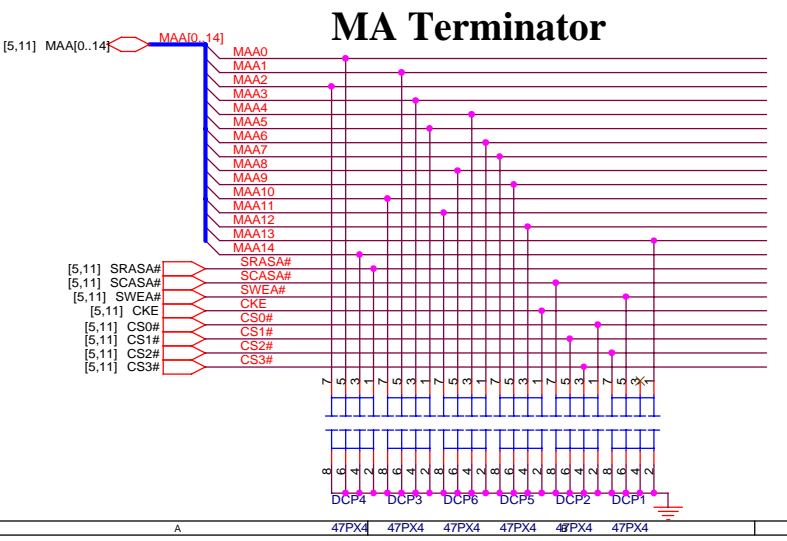
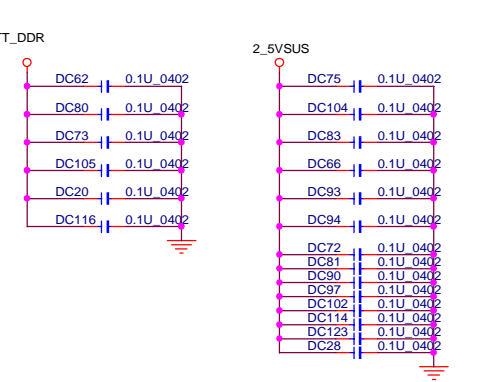
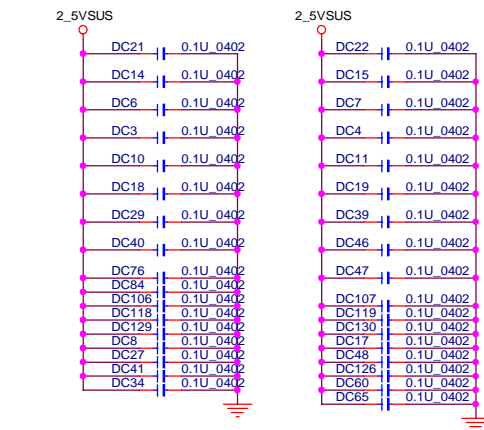
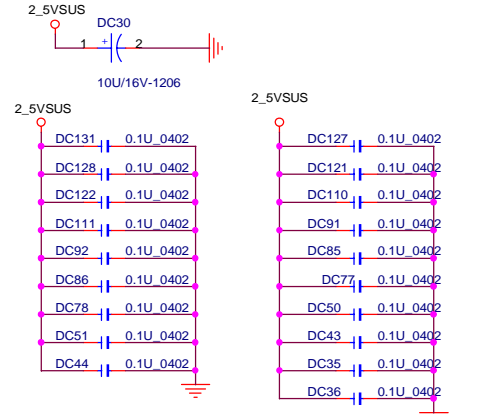
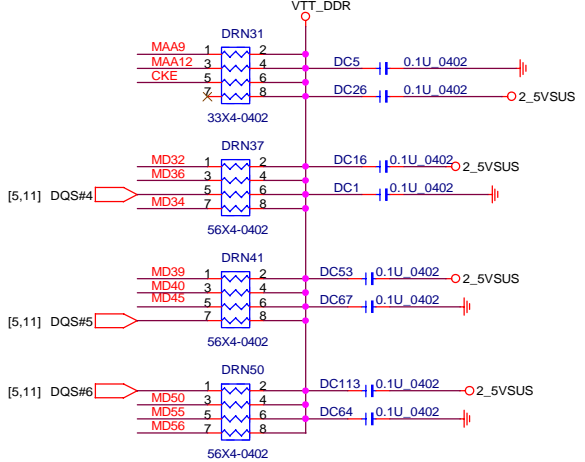
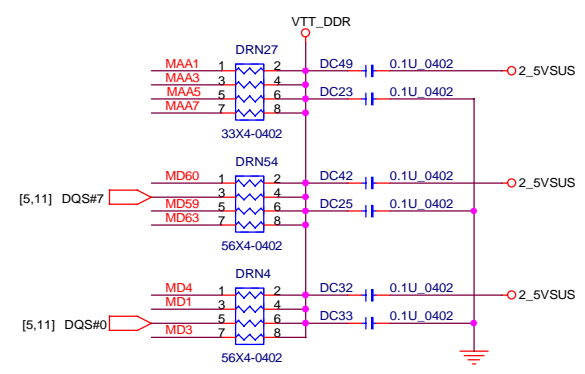
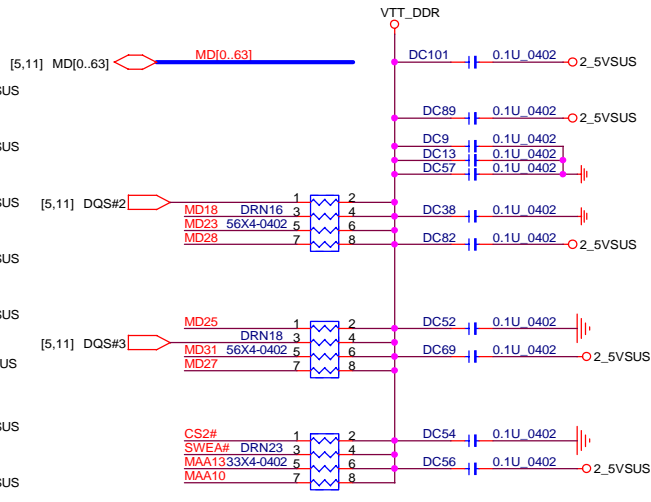
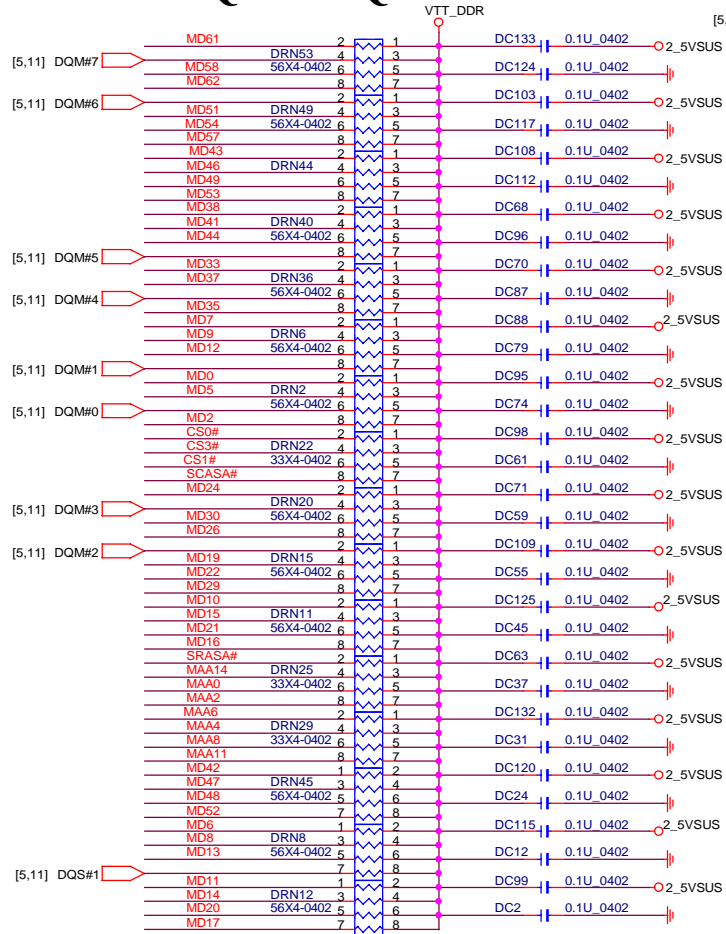




PROJECT : KT7I
Quanta Computer Inc.

Size	Document Number	Rev
DDR MODULES		3A
Date:	Friday, April 11, 2003	Sheet 11 of 35

MD & DQM & DQS Terminator

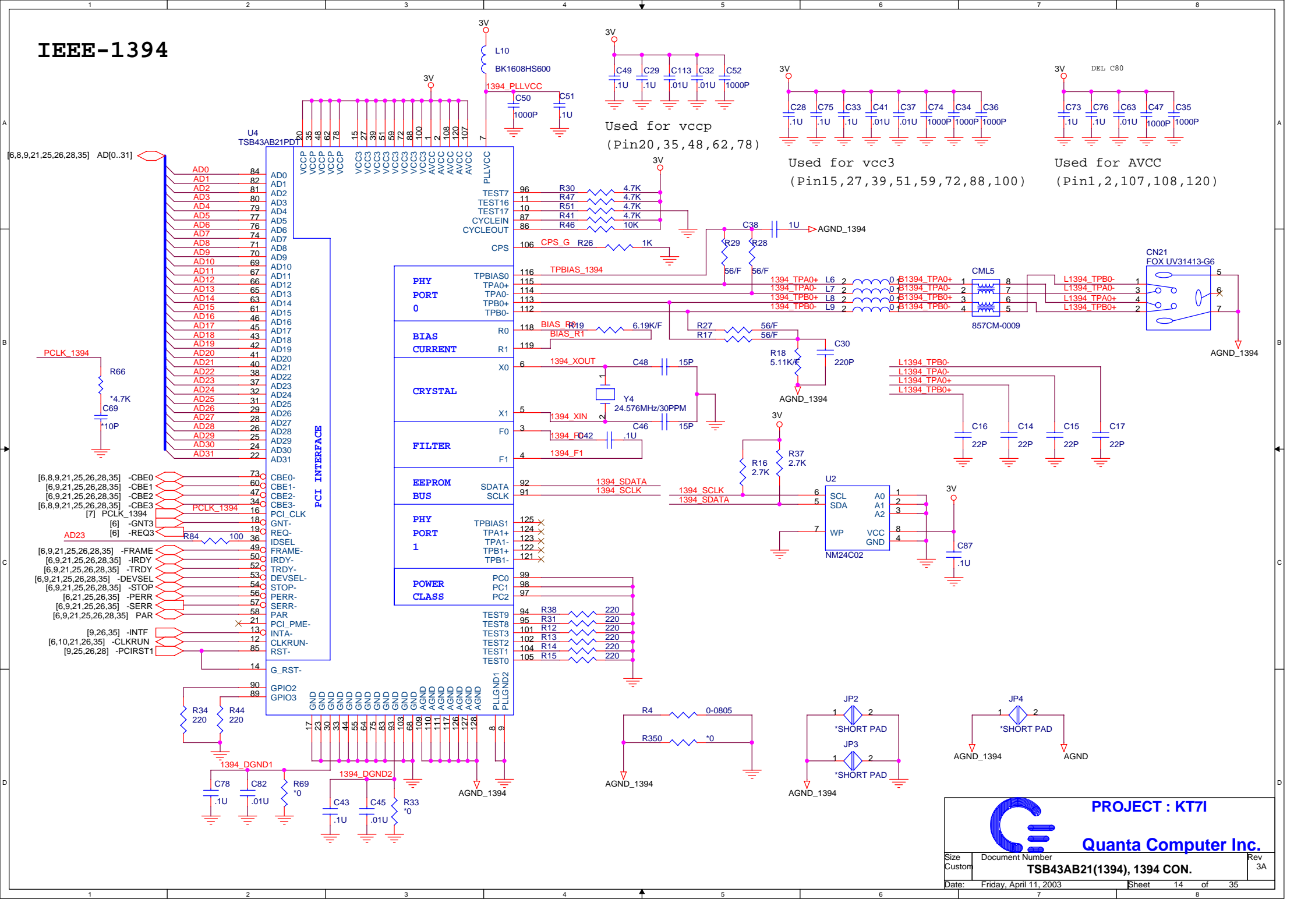


PROJECT : KT7I

Quanta Computer Inc.

Size	Document Number	Rev
Date:	DDR TERMINATOR	3A
Friday, April 11, 2003	Sheet 12 of 35	

IEEE-1394



[6,8,9,21,25,26,28,35] AD[0..31]

[6,8,9,21,25,26,28,35] -CBE0

[6,9,21,25,26,28,35] -CBE1

[6,9,21,25,26,28,35] -CBE2

[6,8,9,21,25,26,28,35] -CBE3

[7] PCLK_1394

[6] -GNT3

[6] -REQ3

[6,9,21,25,26,28,35] -FRAME

[6,9,21,25,26,28,35] -IRDY

[6,9,21,25,26,28,35] -TRDY

[6,9,21,25,26,28,35] -DEVSEL

[6,9,21,25,26,28,35] -STOP

[6,21,25,26,35] -PERR

[6,9,21,25,26,35] -SERR

[6,9,21,25,26,35] PAR

[9,26,35] -INTF

[6,10,21,26,35] -CLKRUN

[9,25,26,28] -PCIRST1

Used for vccp
(Pin20, 35, 48, 62, 78)

Used for vcc3
(Pin15, 27, 39, 51, 59, 72, 88, 100)

Used for AVCC
(Pin1, 2, 107, 108, 120)

PCI INTERFACE

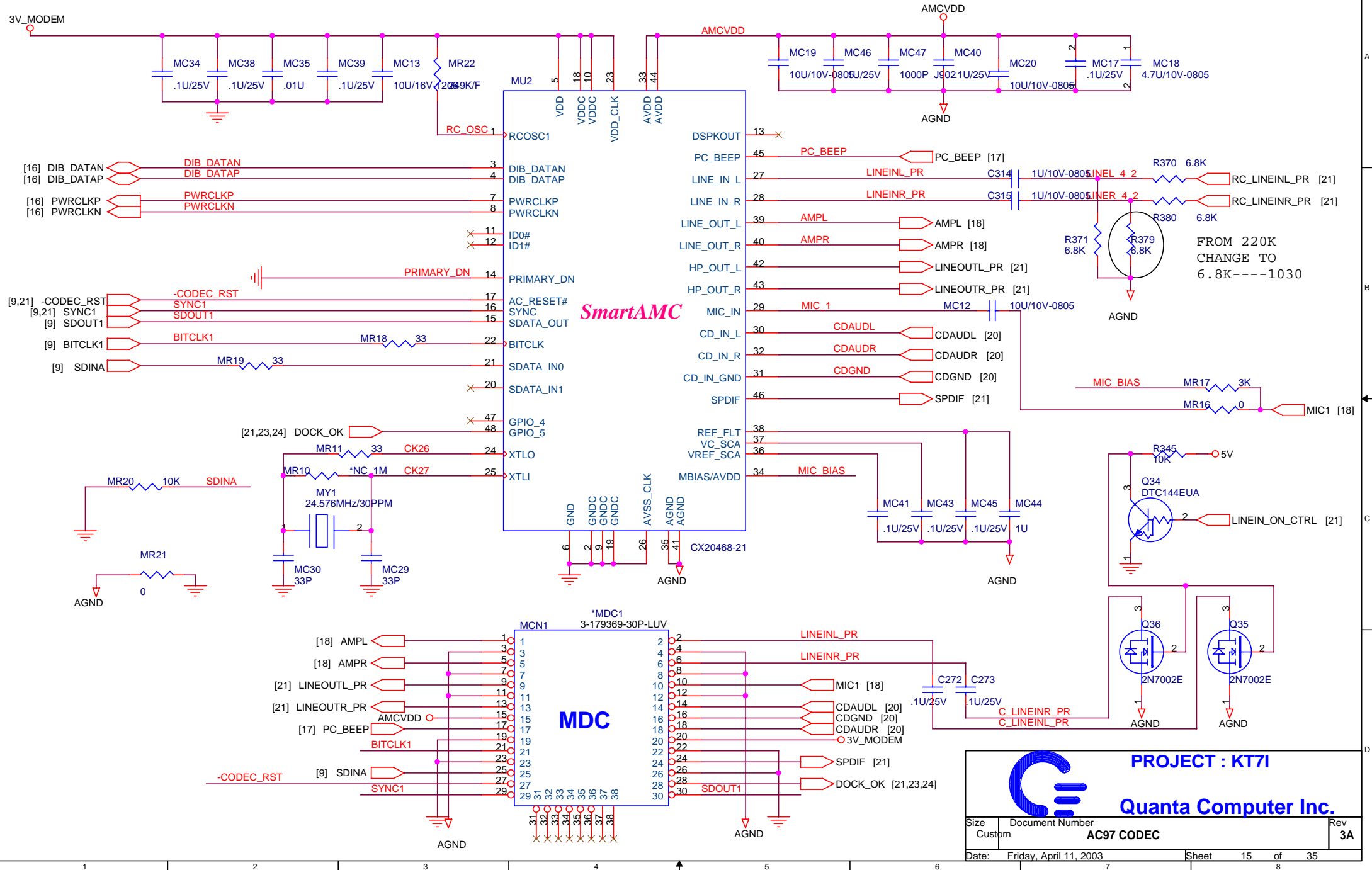
PHY PORT 0	TPBIAS0	116	X
	TPA0+	115	X
	TPA0-	114	X
	TPB0+	113	X
	TPB0-	112	X
BIAS CURRENT	R0	118	X
	R1	119	X
CRYSTAL	X0	6	X
	X1	5	X
FILTER	F0	3	X
	F1	4	X
EEPROM BUS	SDATA	92	X
	SCLK	91	X
PHY PORT 1	TPBIAS1	125	X
	TPA1+	124	X
	TPA1-	123	X
	TPB1+	122	X
	TPB1-	121	X
POWER CLASS	PC0	99	X
	PC1	98	X
	PC2	97	X
	TEST9	94	X
	TEST8	95	X
	TEST3	101	X
	TEST2	102	X
	TEST1	104	X
	TEST0	105	X
	PLLGND1	8	X
	PLLGND2	9	X

PROJECT : KT71

Quanta Computer Inc.

Size Custom	Document Number TSB43AB21(1394), 1394 CON.	Rev 3A
Date:	Friday, April 11, 2003	Sheet 14 of 35

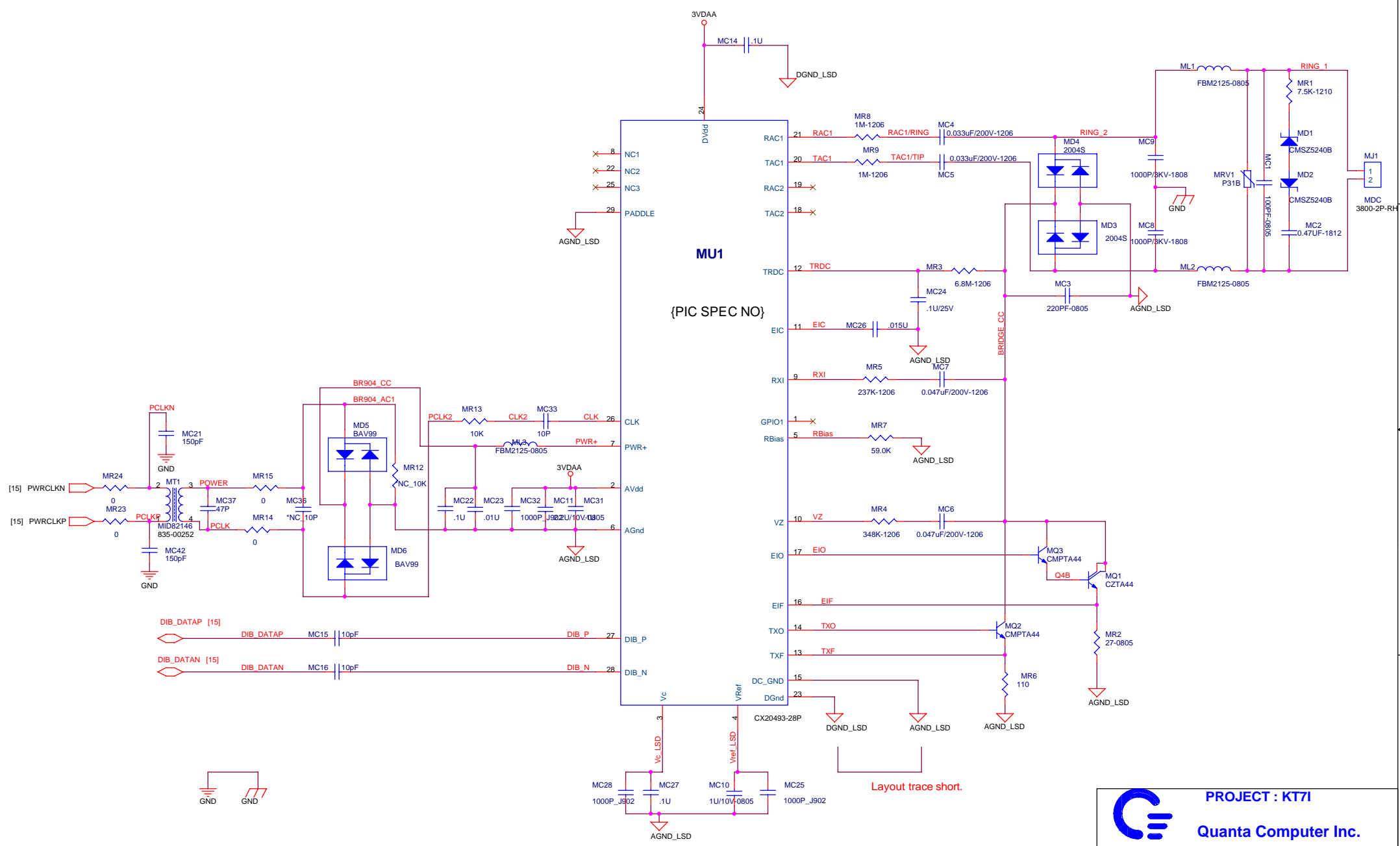
The AMC20493-001 modem is used for mother board family MBAMC20493-005



PROJECT : KT7I

Quanta Computer Inc.

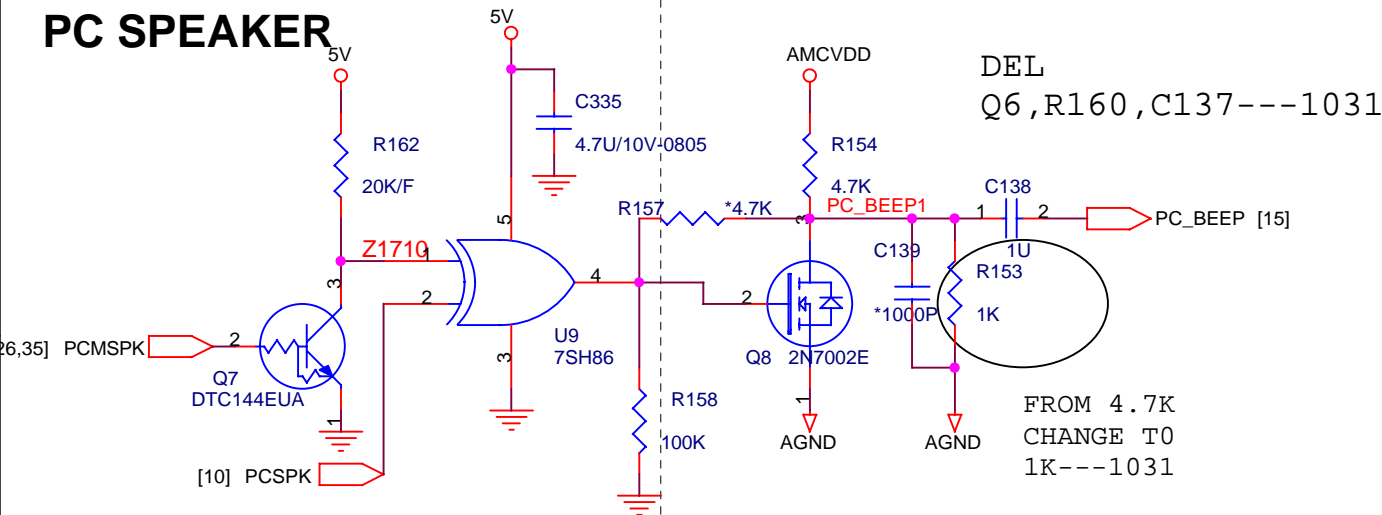
Size	Document Number	Rev
Custom	AC97 CODEC	3A
Date:	Friday, April 11, 2003	Sheet 15 of 35



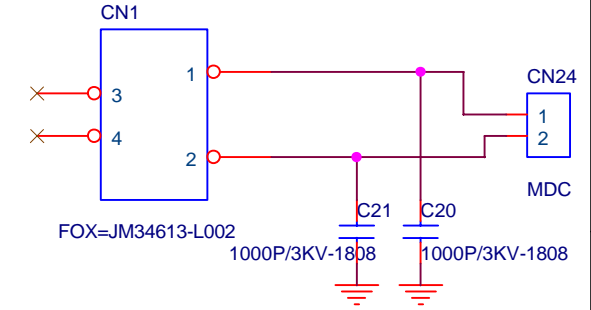
PROJECT : KT71
Quanta Computer Inc.

Size	Document Number	Rev
	MODEM DAA	3A
Date:	Friday, April 11, 2003	Sheet 16 of 35

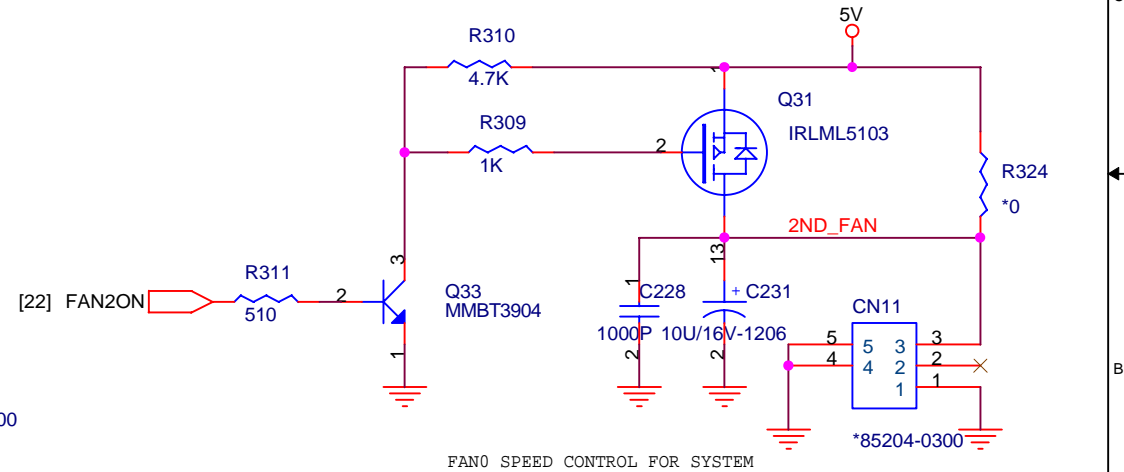
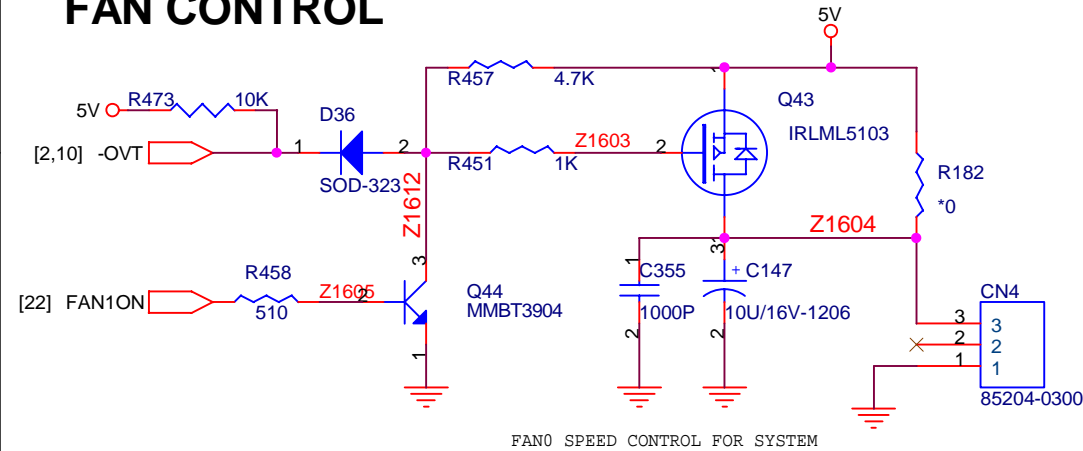
PC SPEAKER



RJ11 CONNECTOR

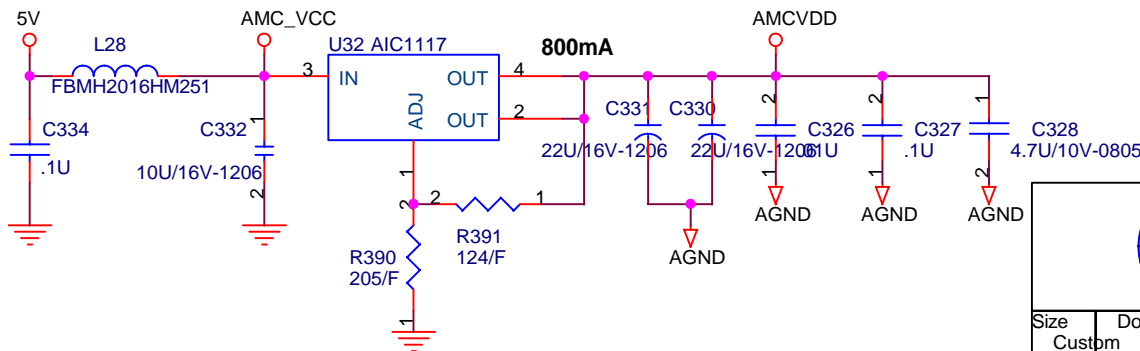


FAN CONTROL

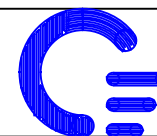


MODEM VDD

R362, R361, R343, R32
MOVE TO PAGE 18



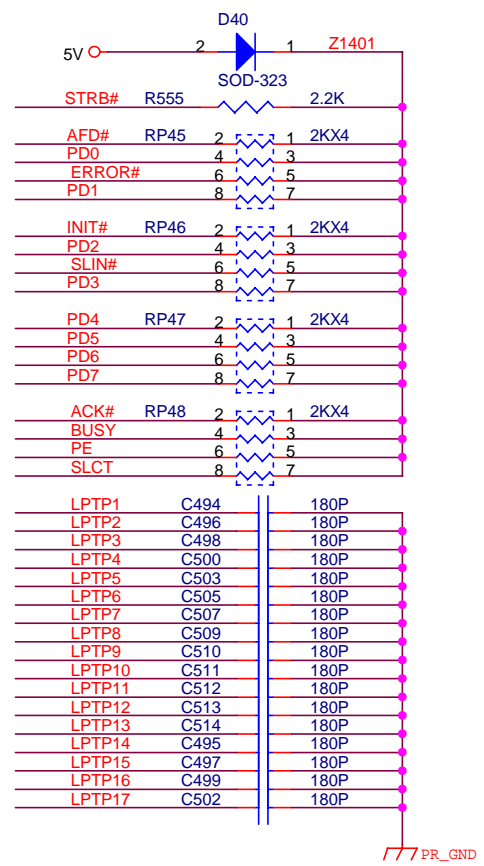
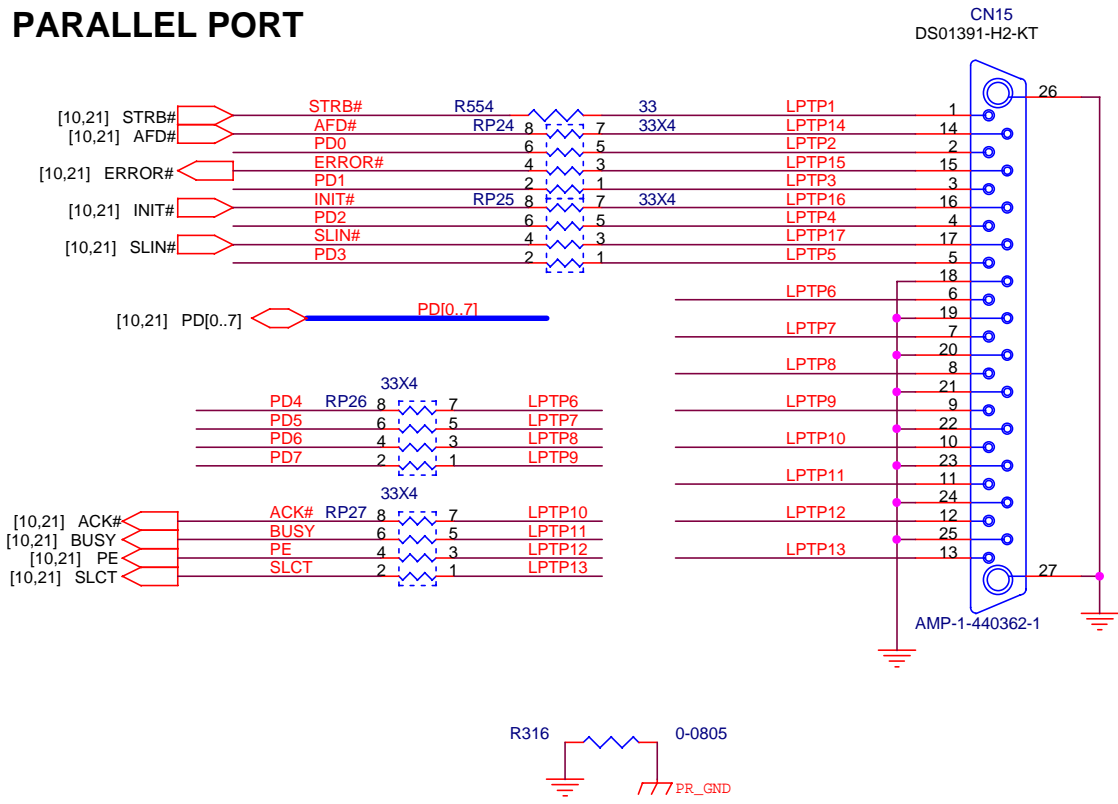
$$V_{out} = 1.25 * (R_{429}/R_{428} + 1) + 55u * R_{429} = 3.3V$$



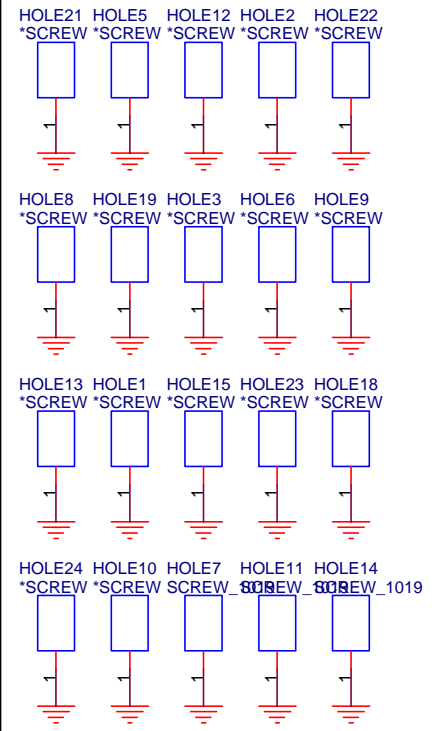
PROJECT : KT7I
Quanta Computer Inc.

Size Custom	Document Number FAN/RJ11/BEEP	Rev 3A
Date: Friday, April 11, 2003	Sheet 17 of 35	

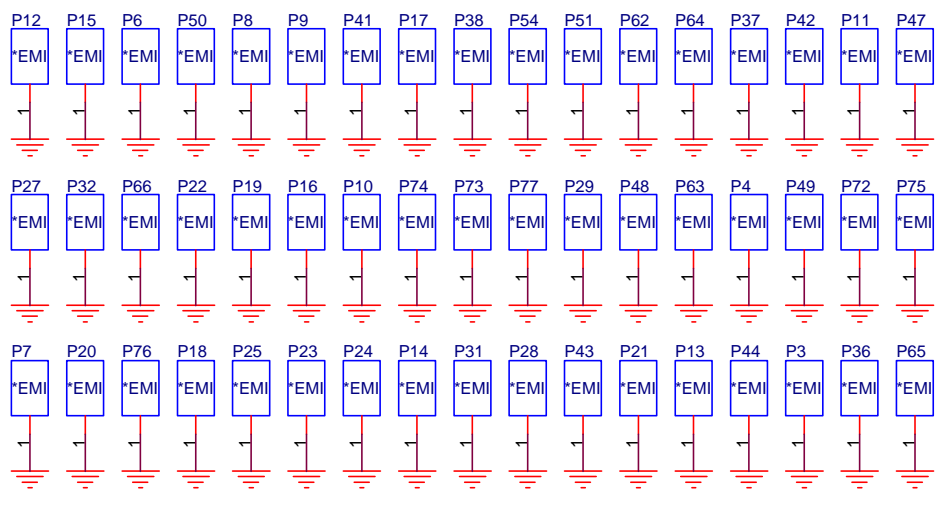
PARALLEL PORT



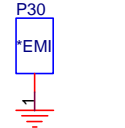
SCREW HOLES



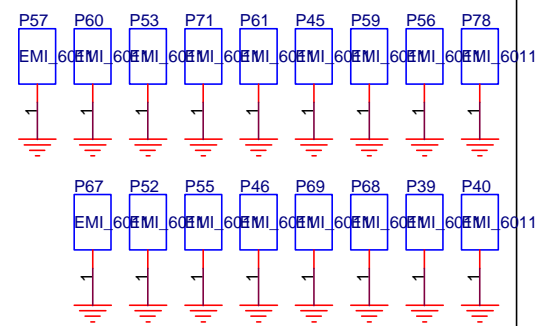
EMI FENSES



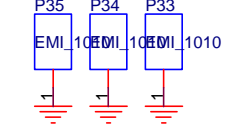
ANTENNA WIRE SPRINGS



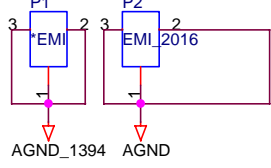
H: 5.6 MM SPRINGS



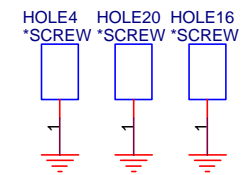
MODEM WIRE SPRINGS



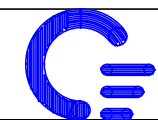
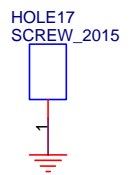
UNDER PDD SPRINGS



THERMAL MODULE NUT



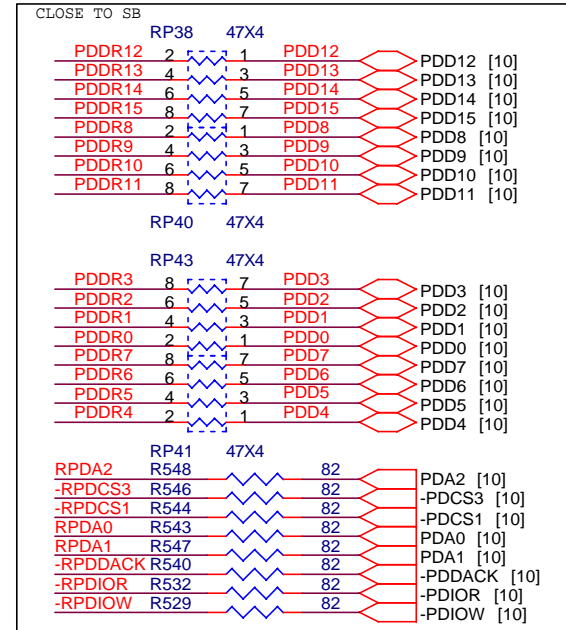
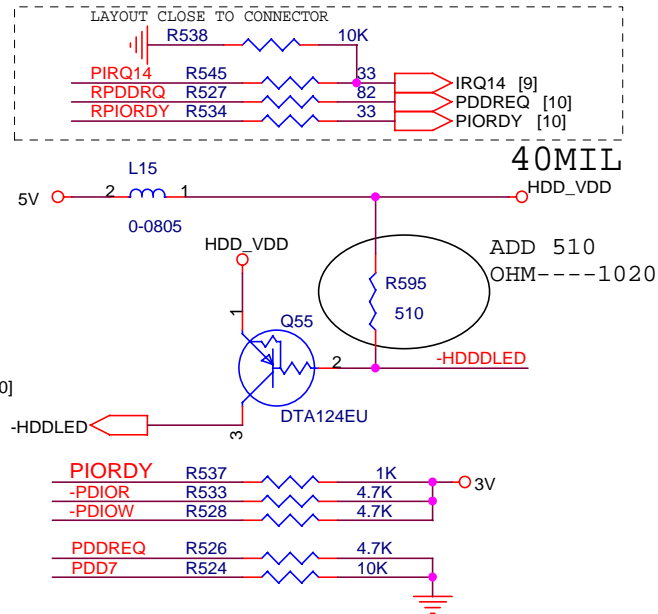
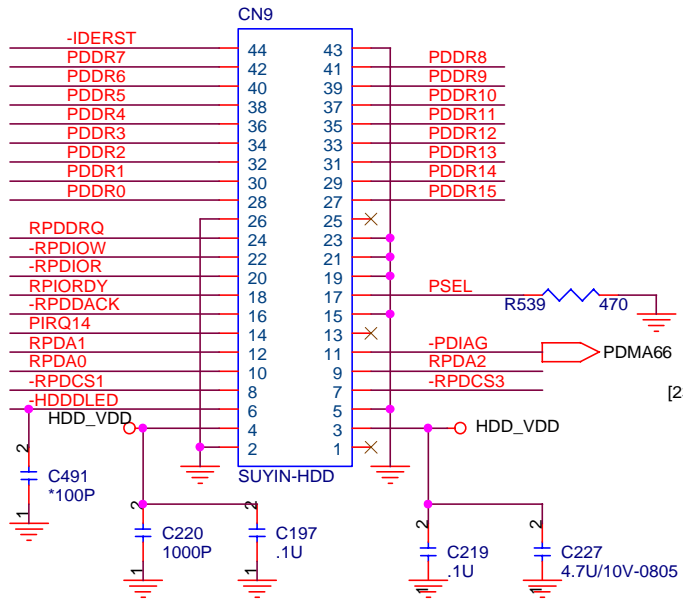
CDROM NUT



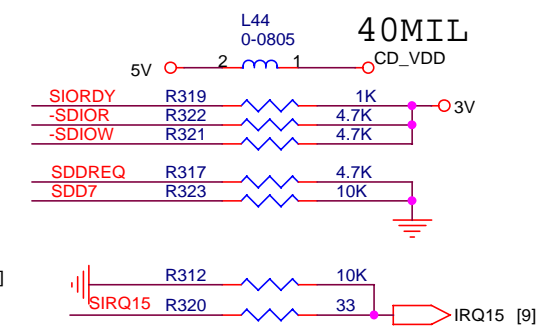
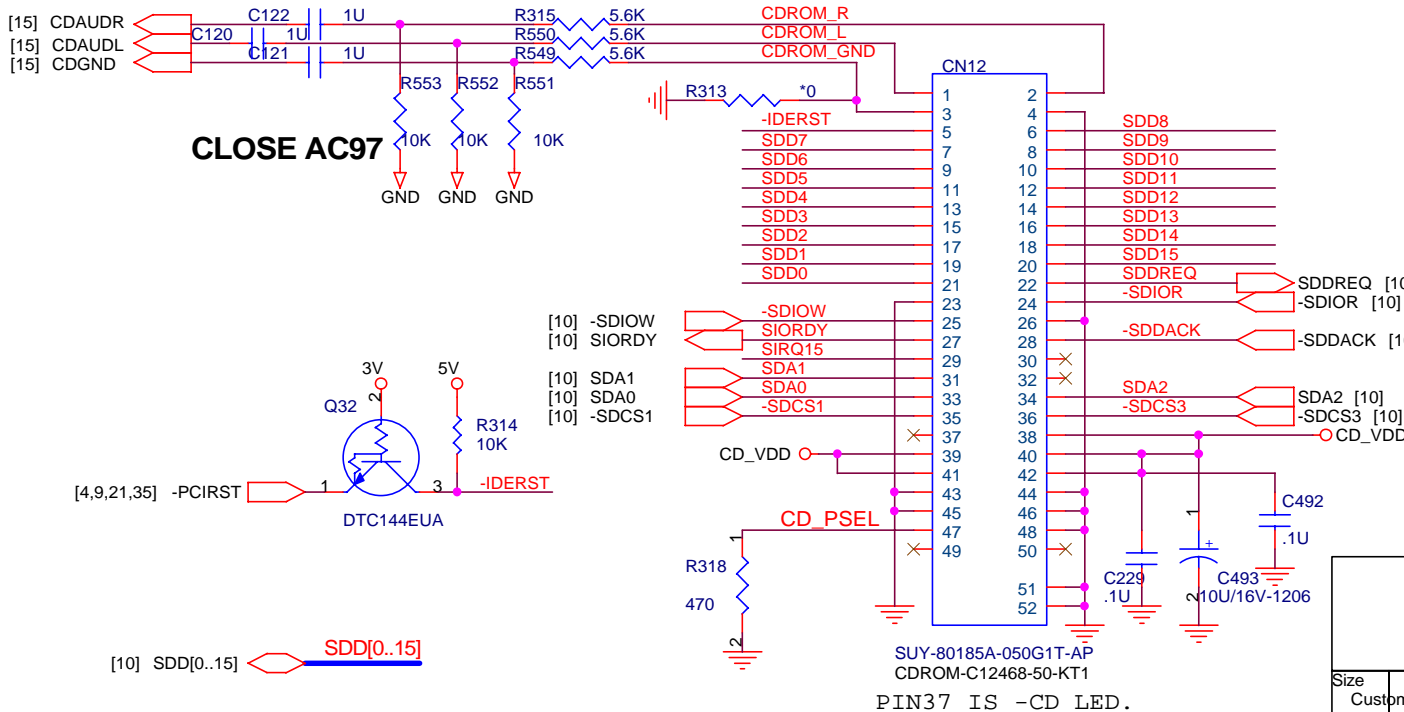
PROJECT : KT7I
Quanta Computer Inc.


Size	Document Number	Rev
Custom	Parallel PORT/SCREW HOLE	3A
Date:	Friday, April 11, 2003	Sheet 19 of 35

HDD CONNECTOR



CD-ROM CONNECTOR



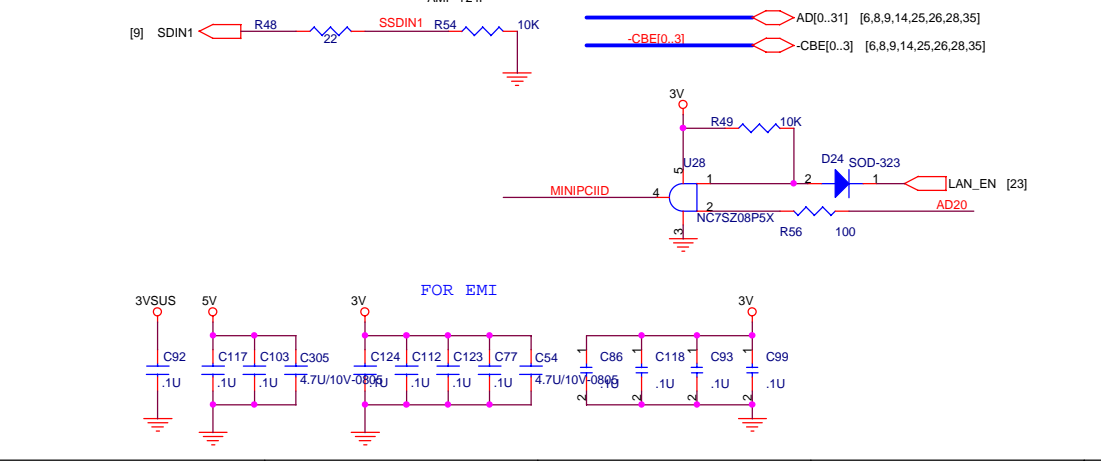
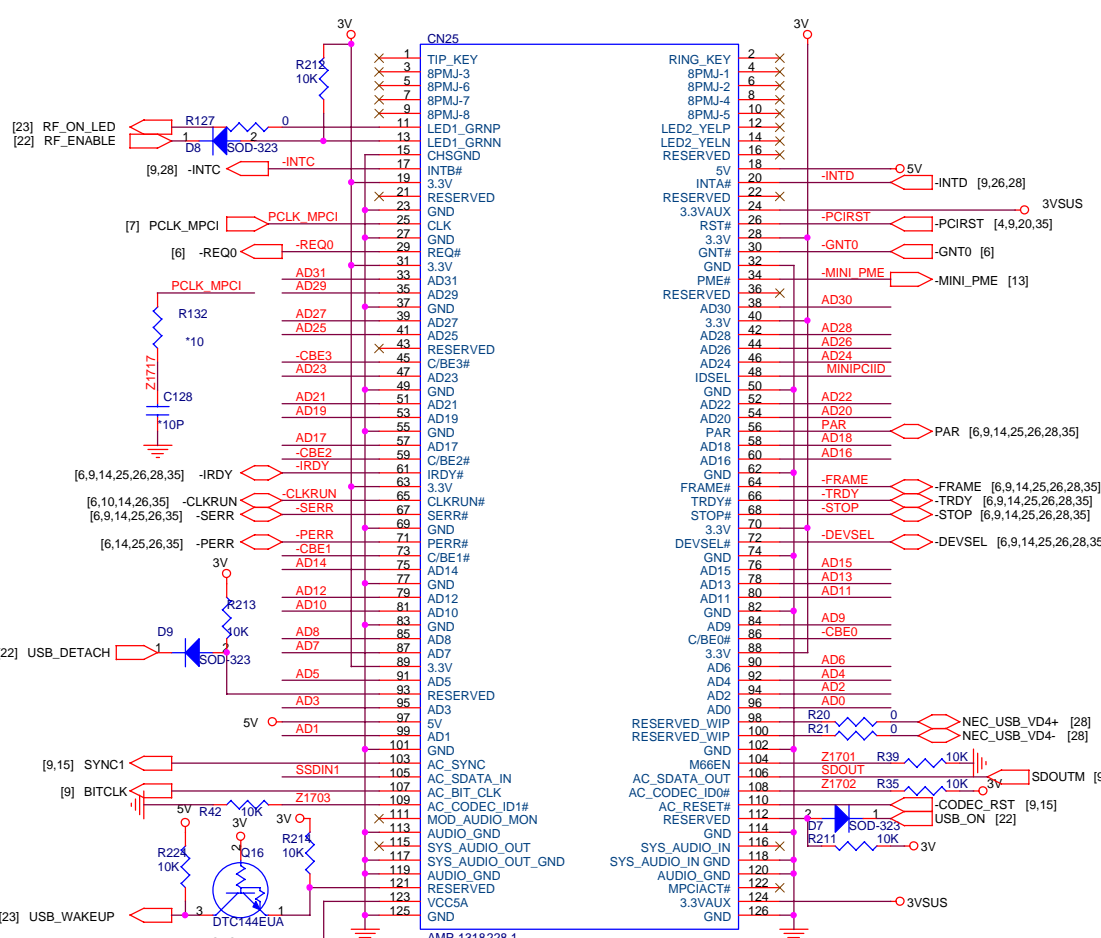


PROJECT : KT7I

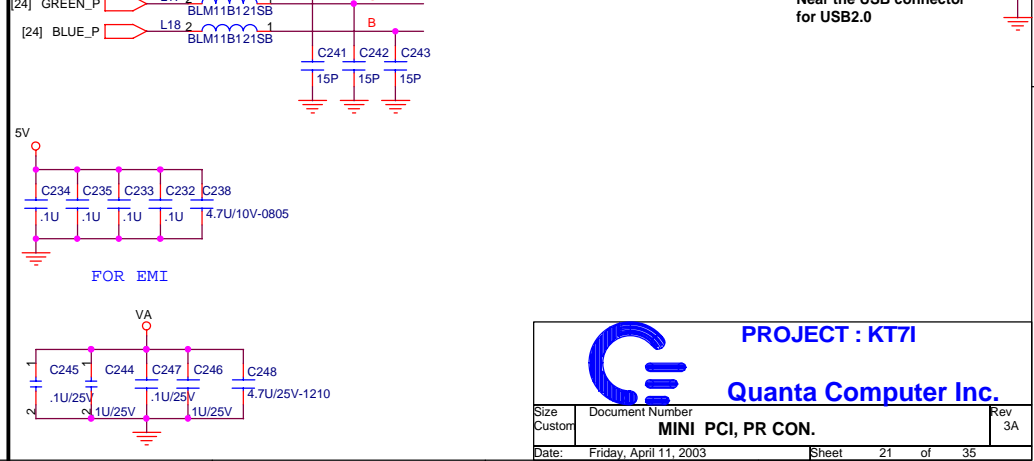
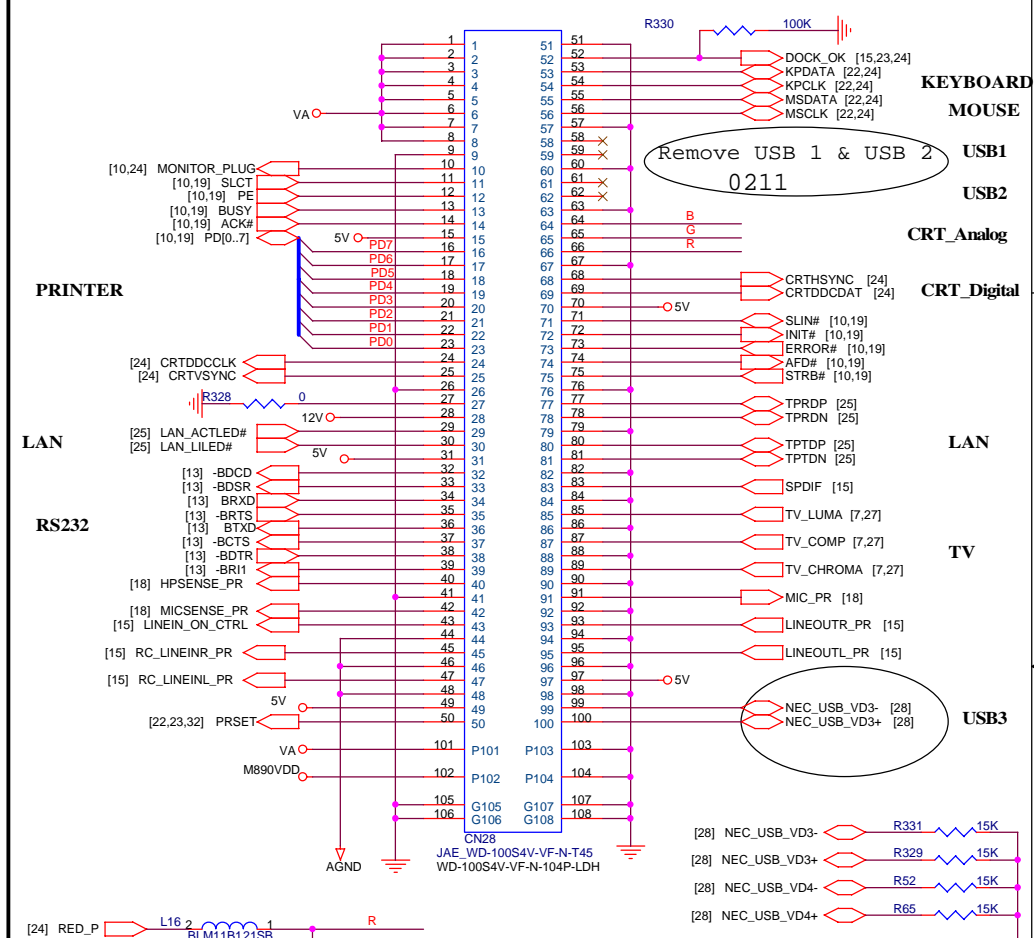
Quanta Computer Inc.

Size	Document Number	Rev
Custom	CD-ROM/HDD CONNECTOR	3A
Date:	Friday, April 11, 2003	Sheet 20 of 35

TYPE III MINI PCI SOCKET



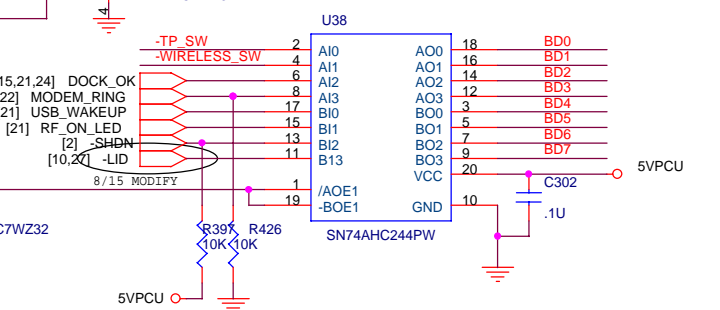
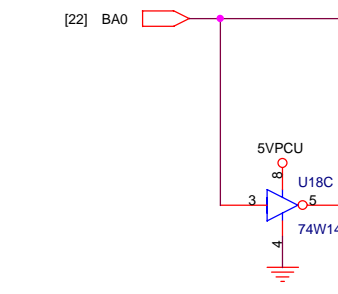
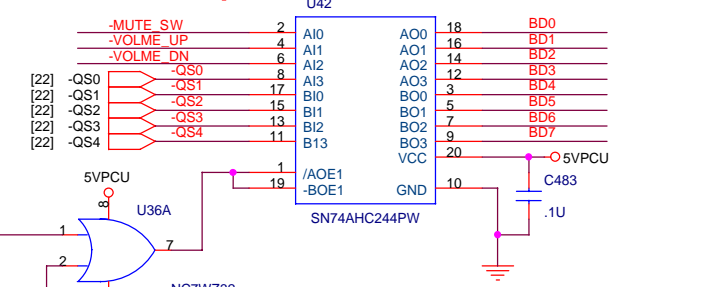
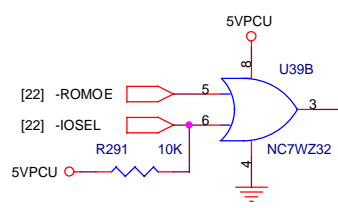
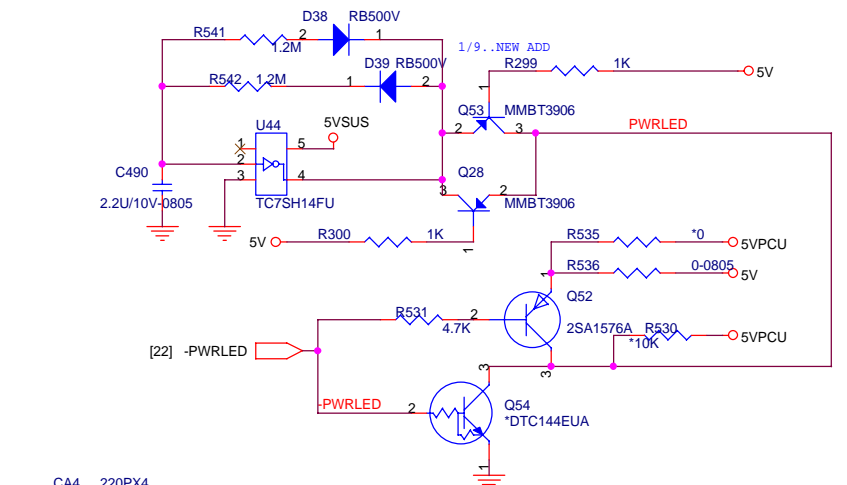
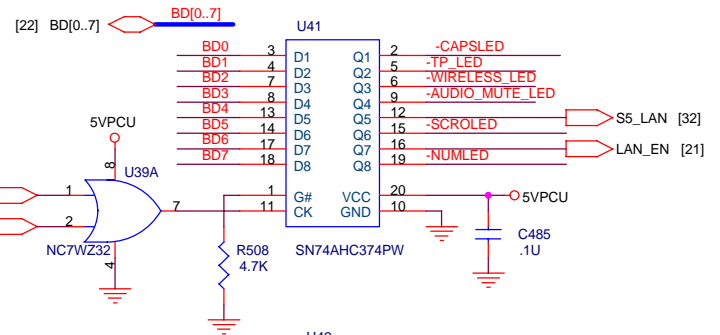
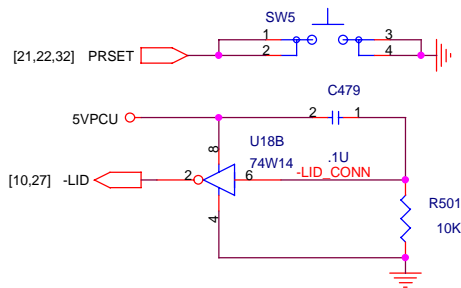
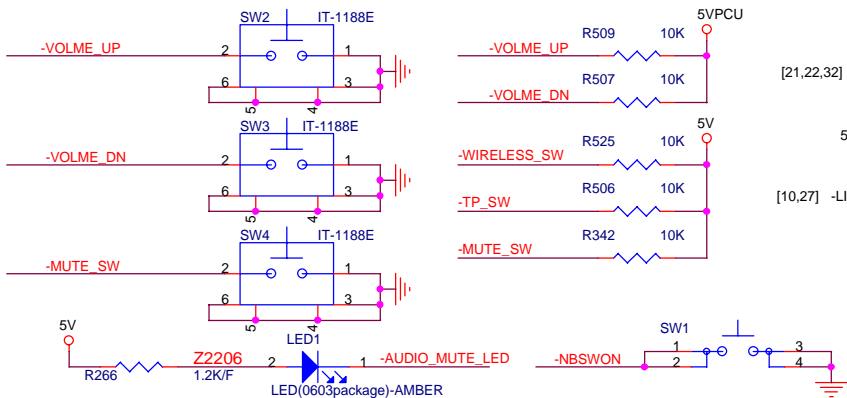
PORT REPLICATOR Connector



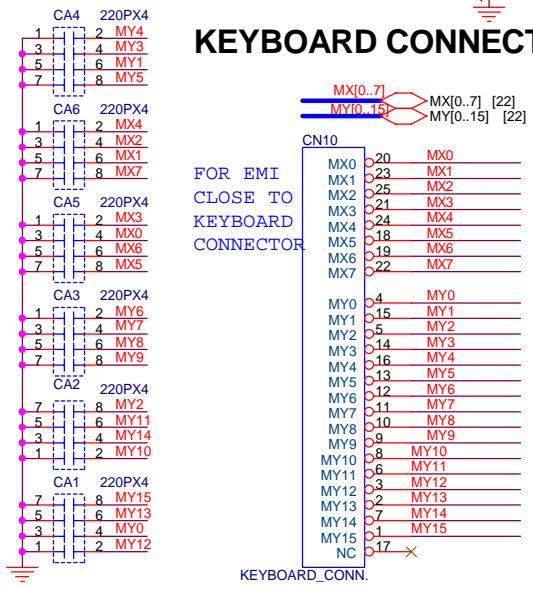
PROJECT : KT71

Quanta Computer Inc.

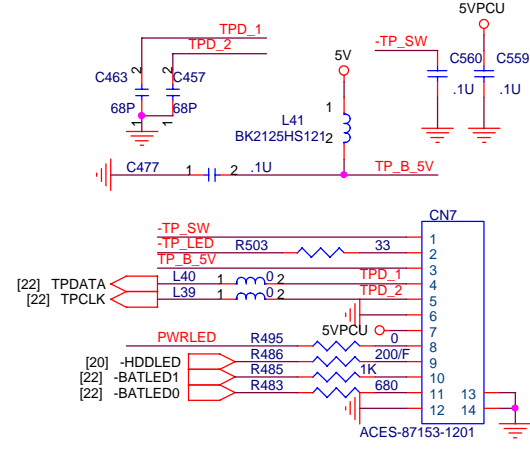
Size Custom	Document Number	Rev 3A
MINI PCI, PR CON.		
Date: Friday, April 11, 2003	Sheet 21	of 35



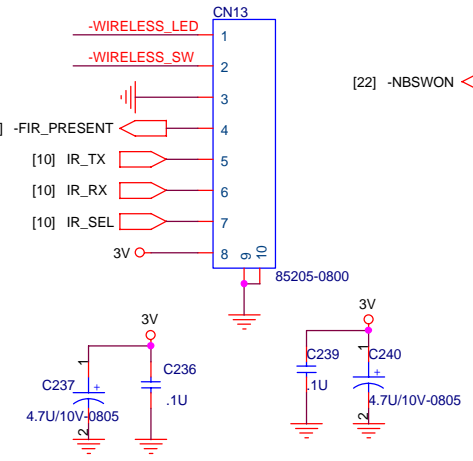
KEYBOARD CONNECTOR



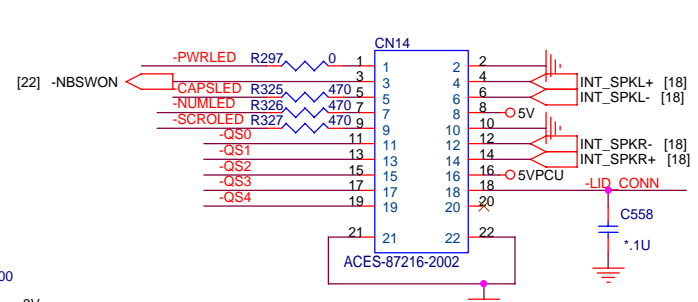
TOUCHPAD BOARD CON



IR BOARD CONN



LED BOARD CON

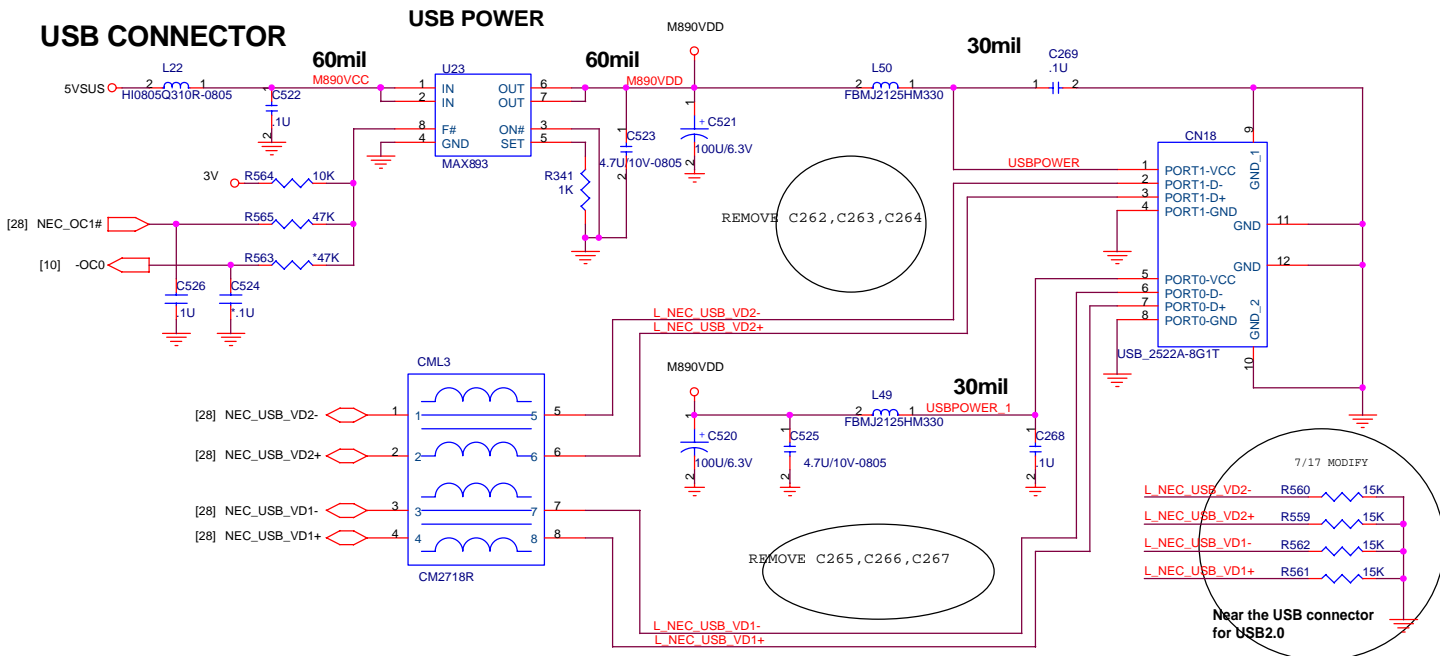


PROJECT : KT71

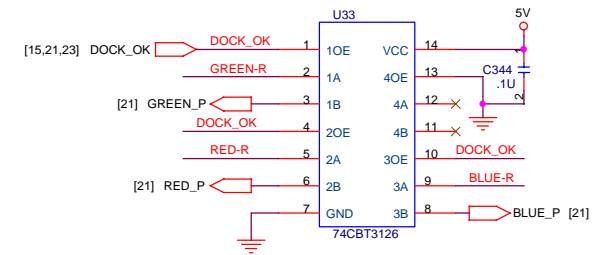
Quanta Computer Inc.

Size	Document Number	Rev
Custom	LED/SWITCH/KBC/TOUCHPAD	3A
Date:	Friday, April 11, 2003	Sheet 23 of 35

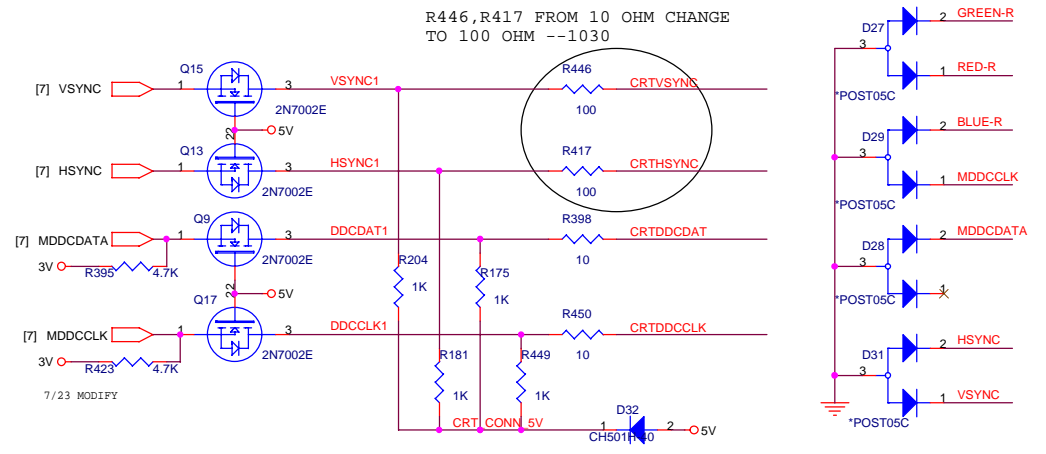
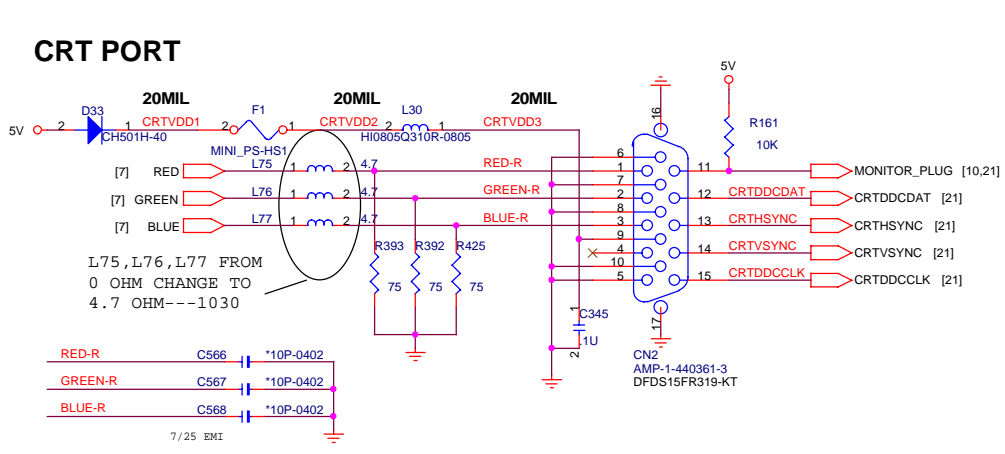
USB CONNECTOR



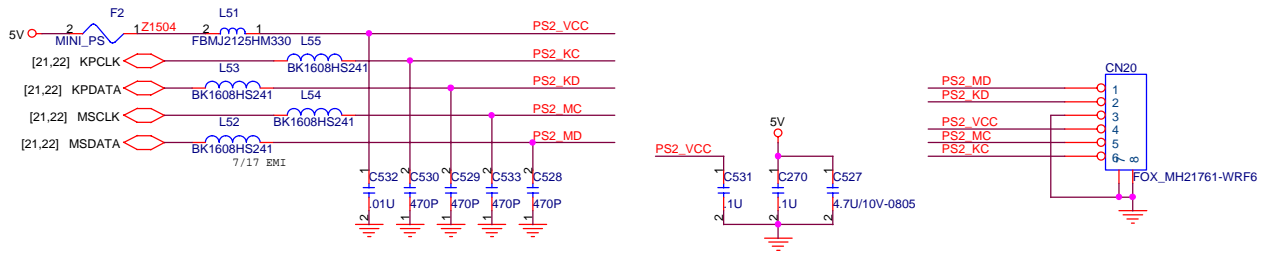
SWITCHING THE C.R.T. SIGNAL



CRT PORT



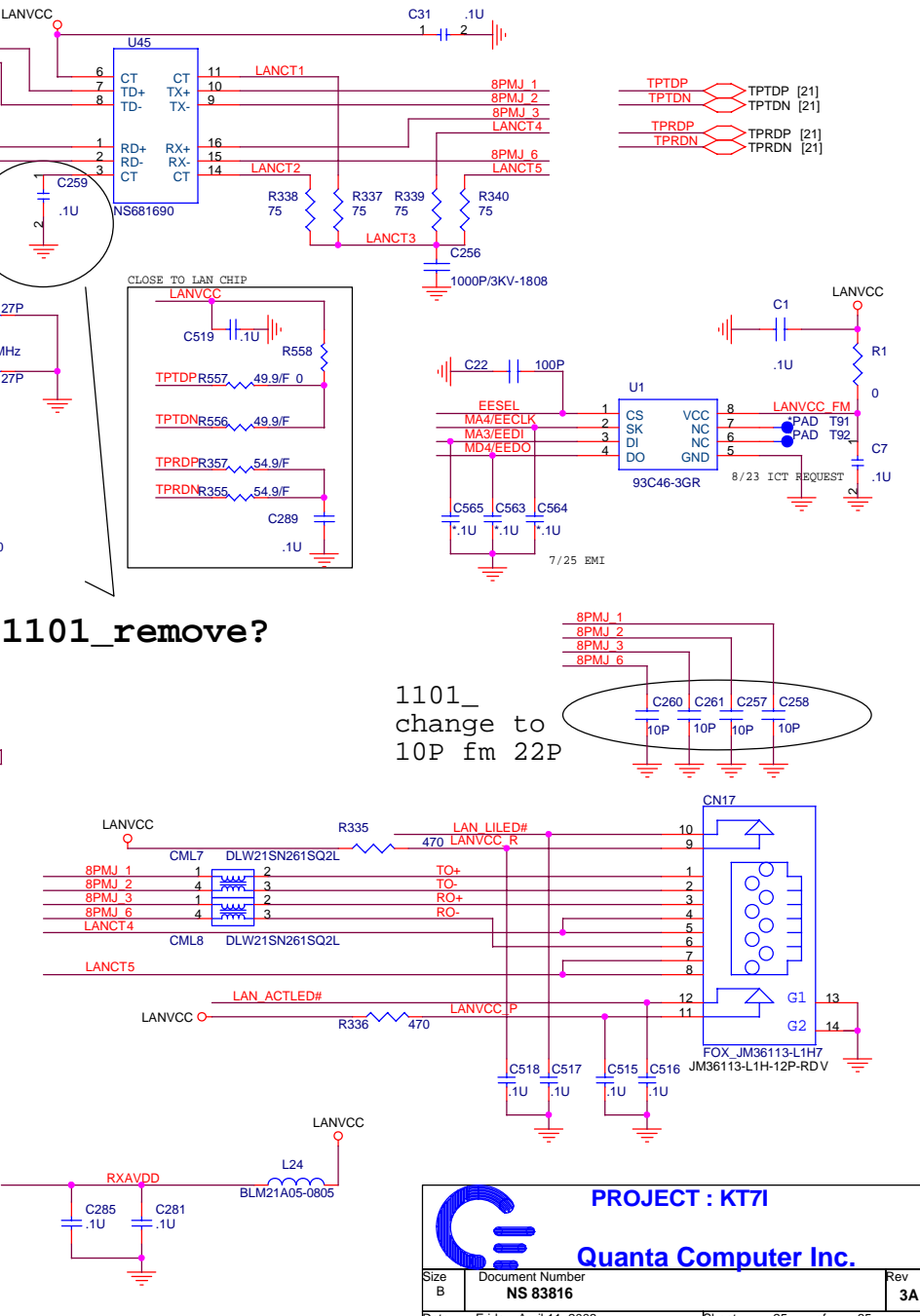
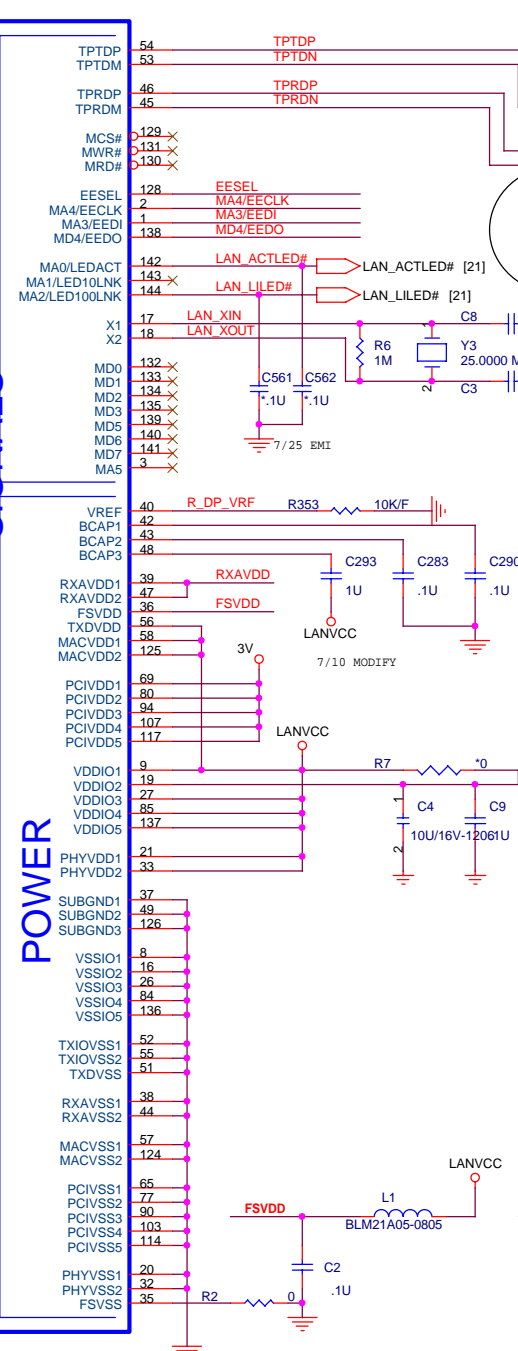
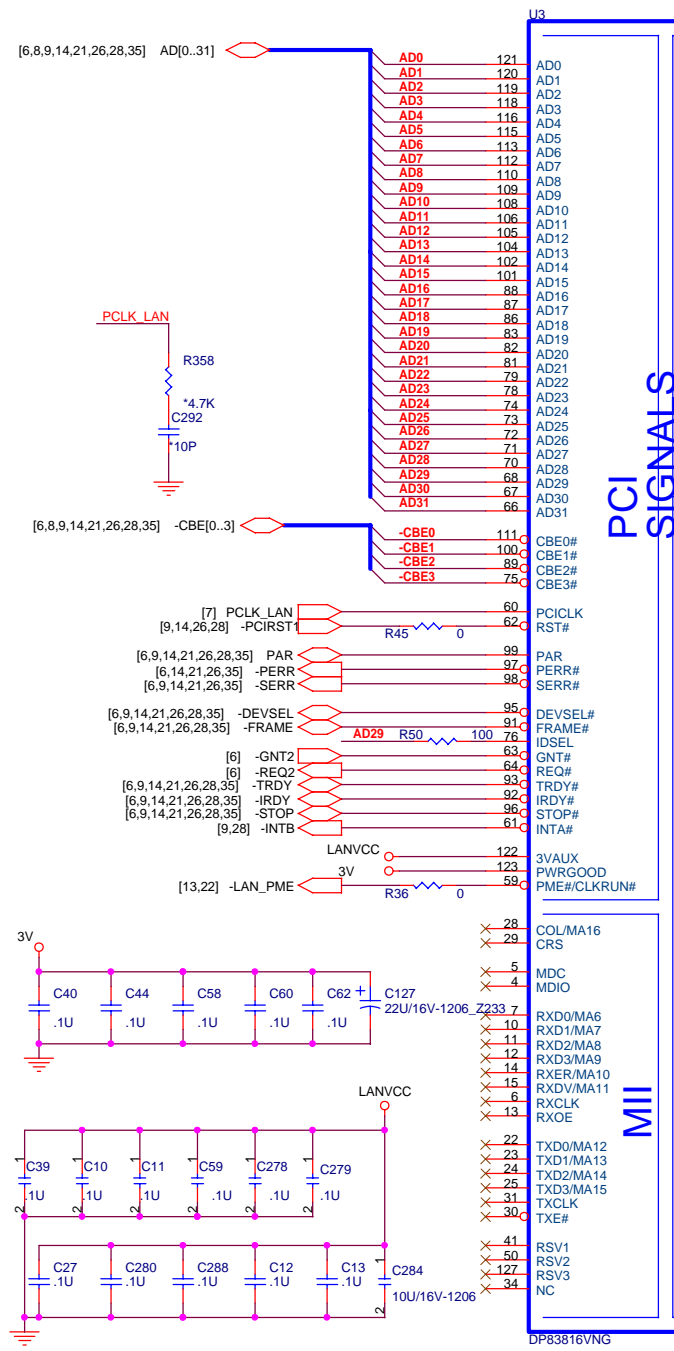
PS/2 PORT



PROJECT : KT7I

Quanta Computer Inc.

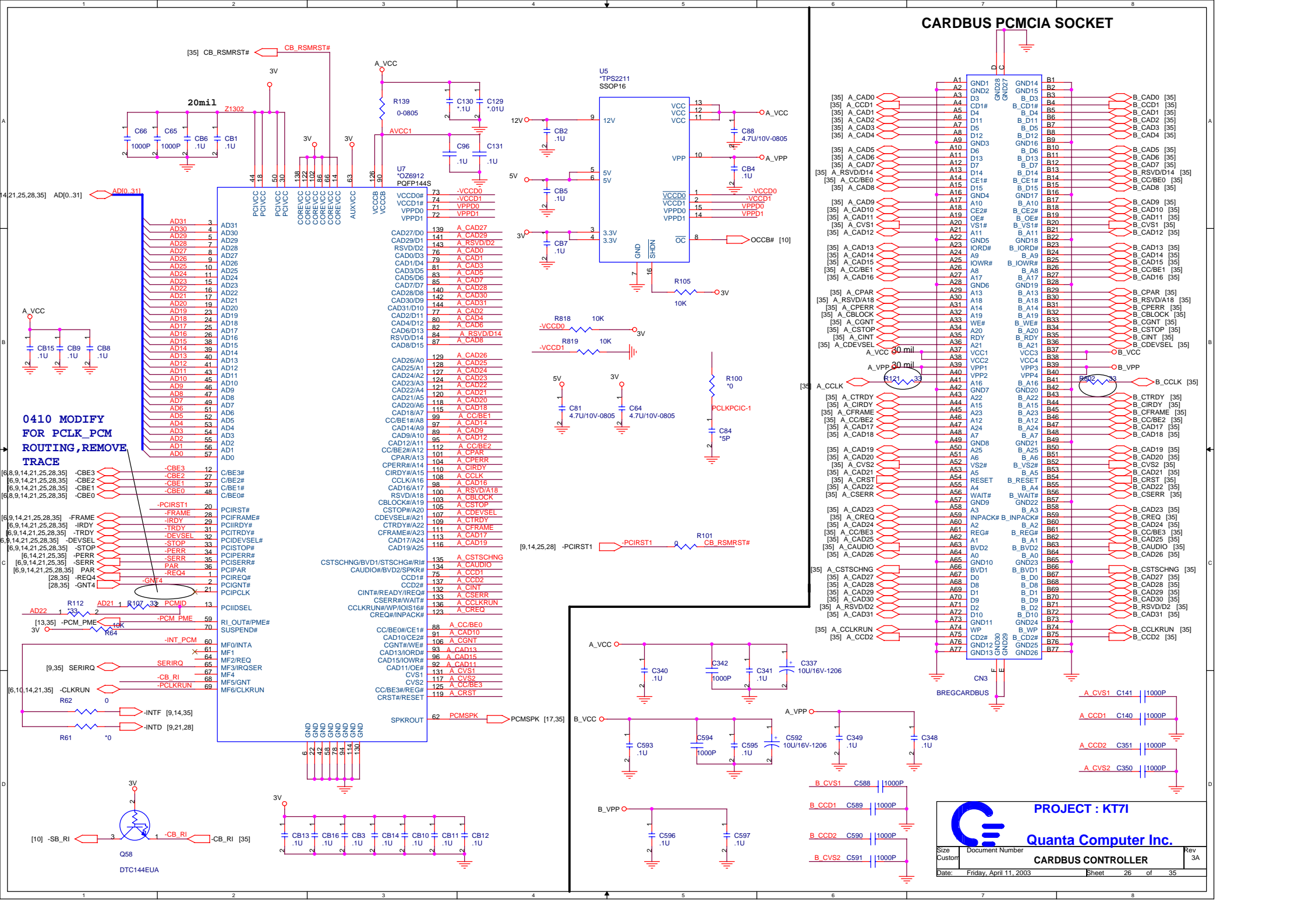
Size Custom	Document Number USB/CRT/PS2 PORT	Rev 3A
Date: Friday, April 11, 2003	Sheet 24	of 35

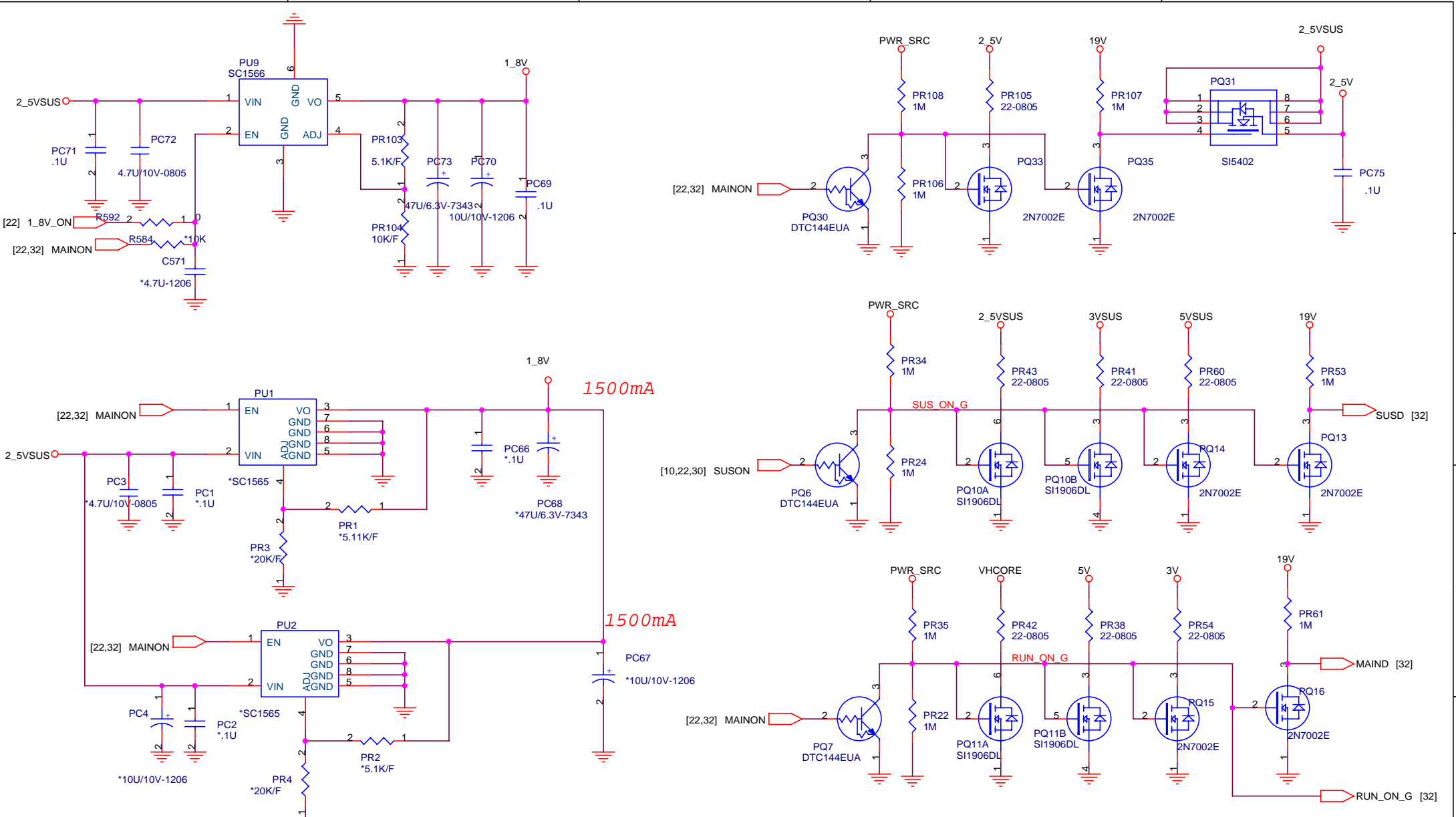



PROJECT : KT71

Quanta Computer Inc.

Size B	Document Number NS 83816	Rev 3A
Date: Friday, April 11, 2003	Sheet 25 of 35	

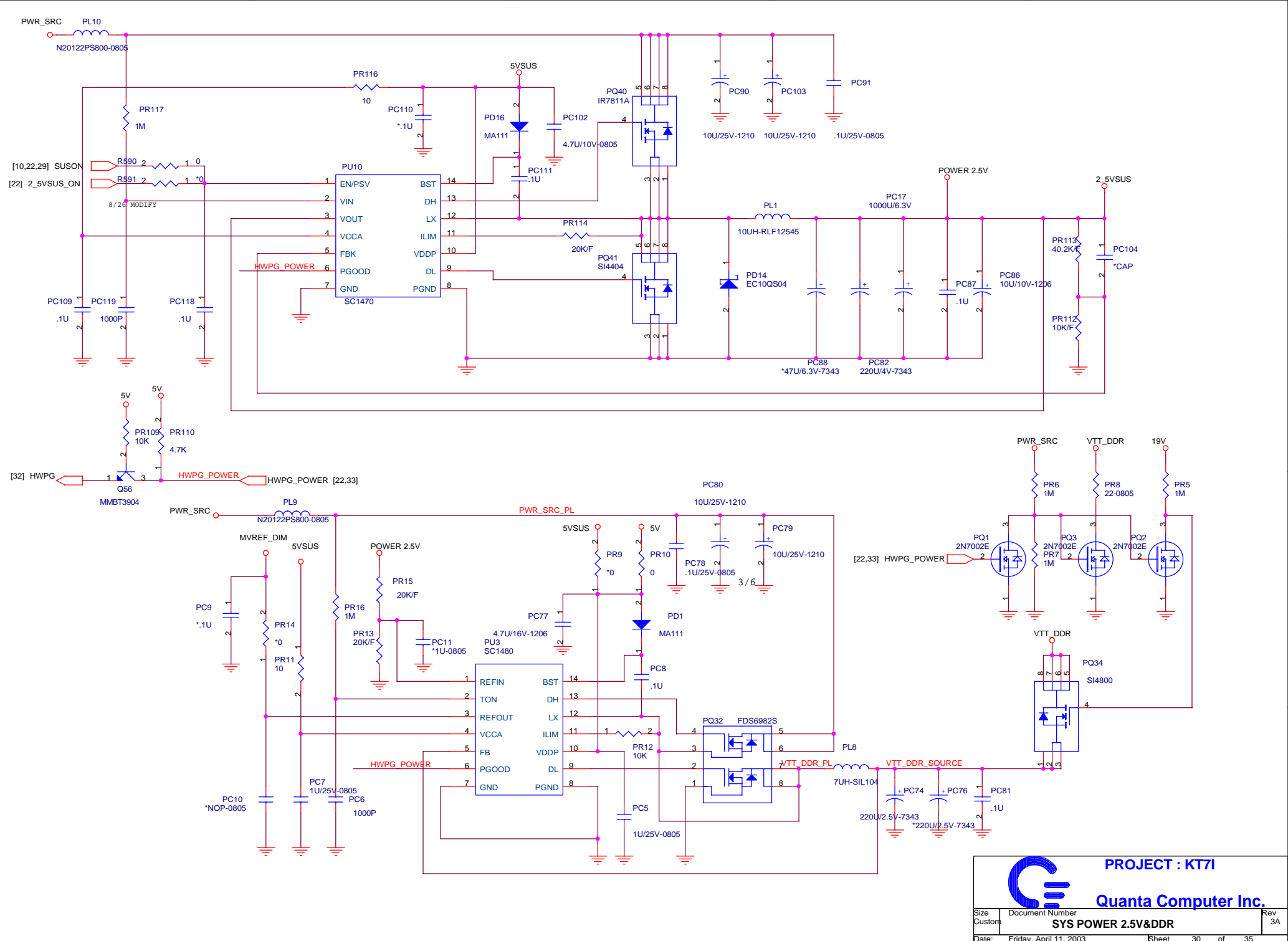






PROJECT : KT71
Quanta Computer Inc.

Size	Document Number	Rev
Custom	DISCHARGE CIRCUIT	3A
Date:	Friday, April 11, 2003	Sheet 29 of 35

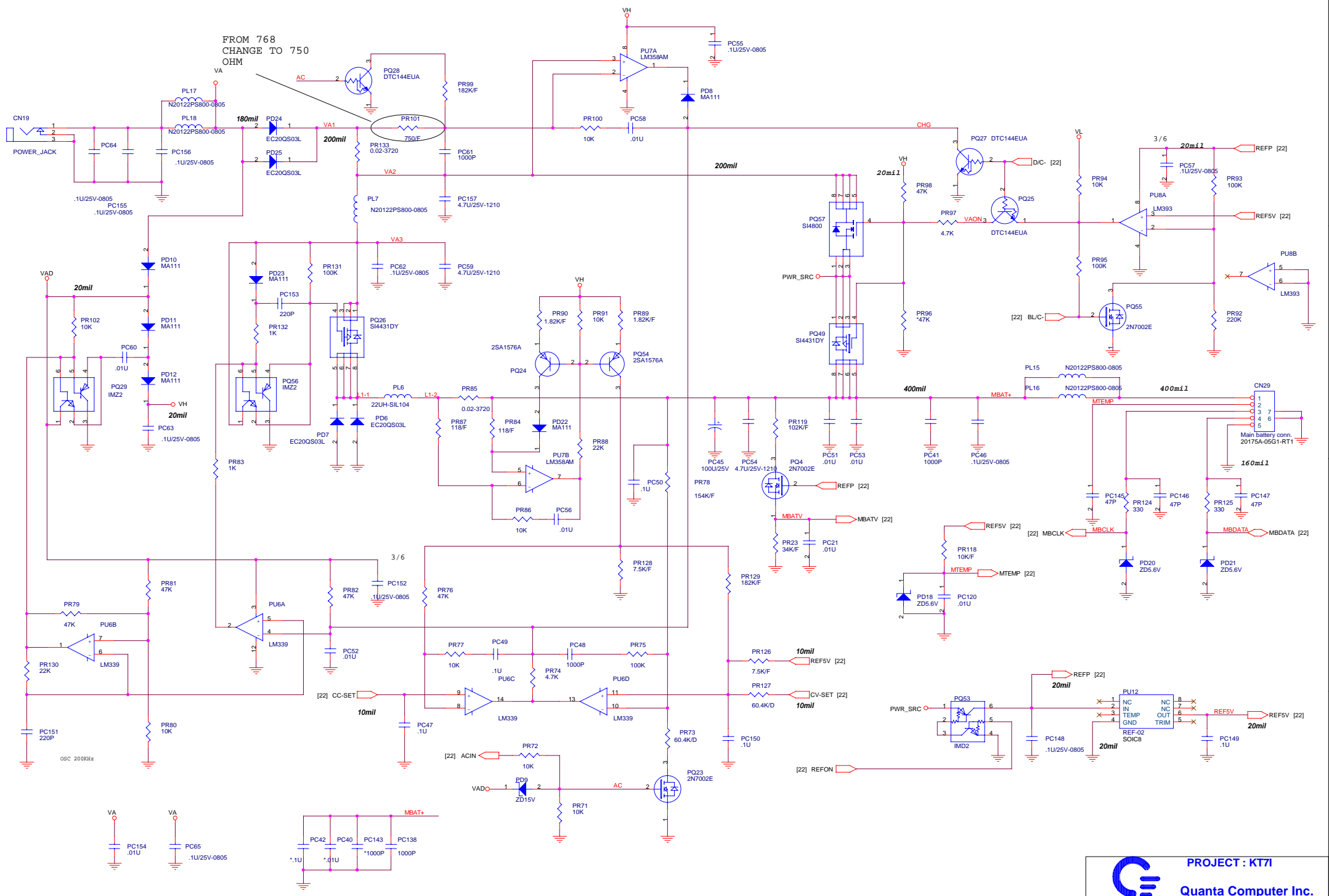


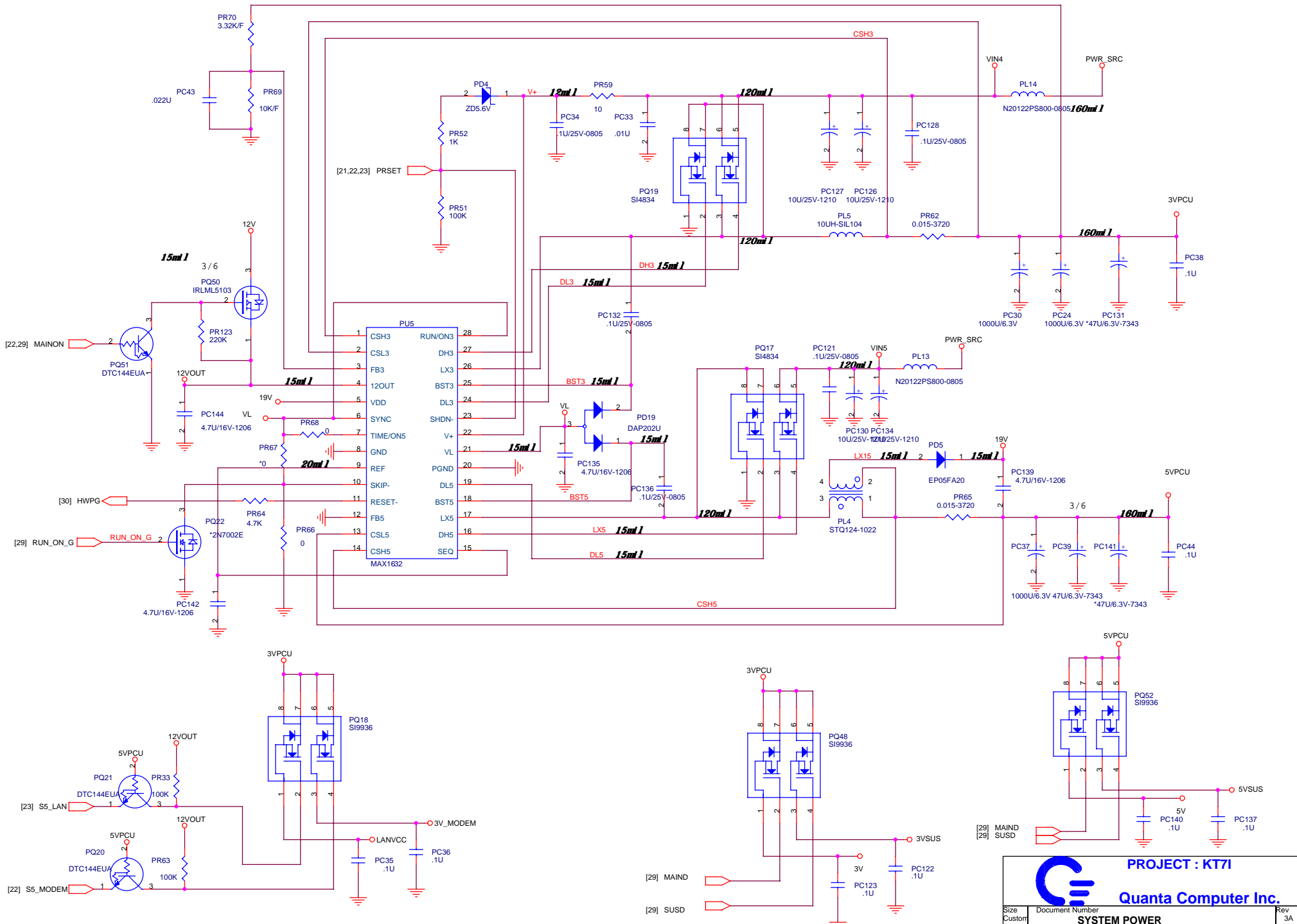
PROJECT : KT7I

Quanta Computer Inc.

Size	Document Number	Rev
Custom	SYS POWER 2.5V&DDR	3A
Date:	Friday, April 11, 2003	Sheet 30 of 35

FROM 768
CHANGE TO 750
OHM

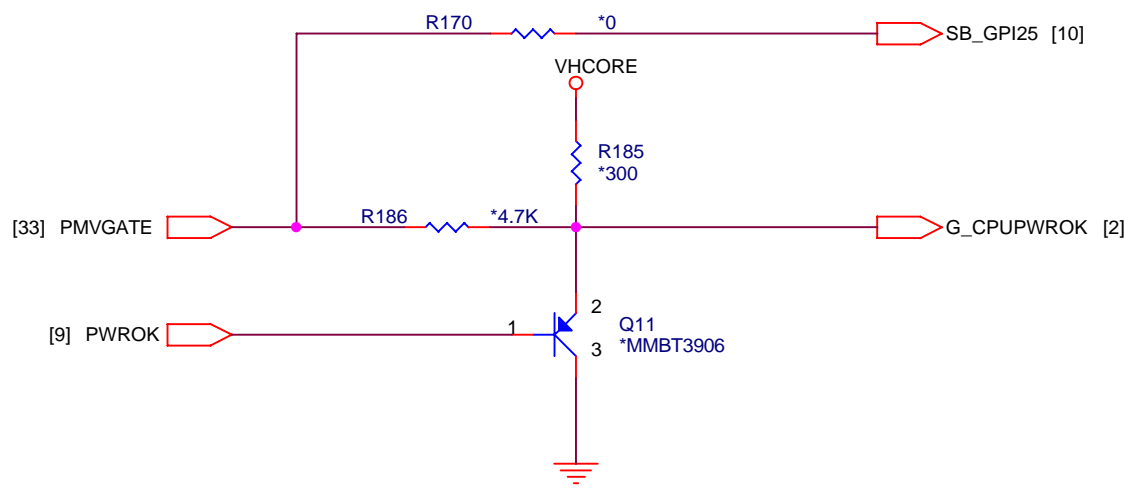
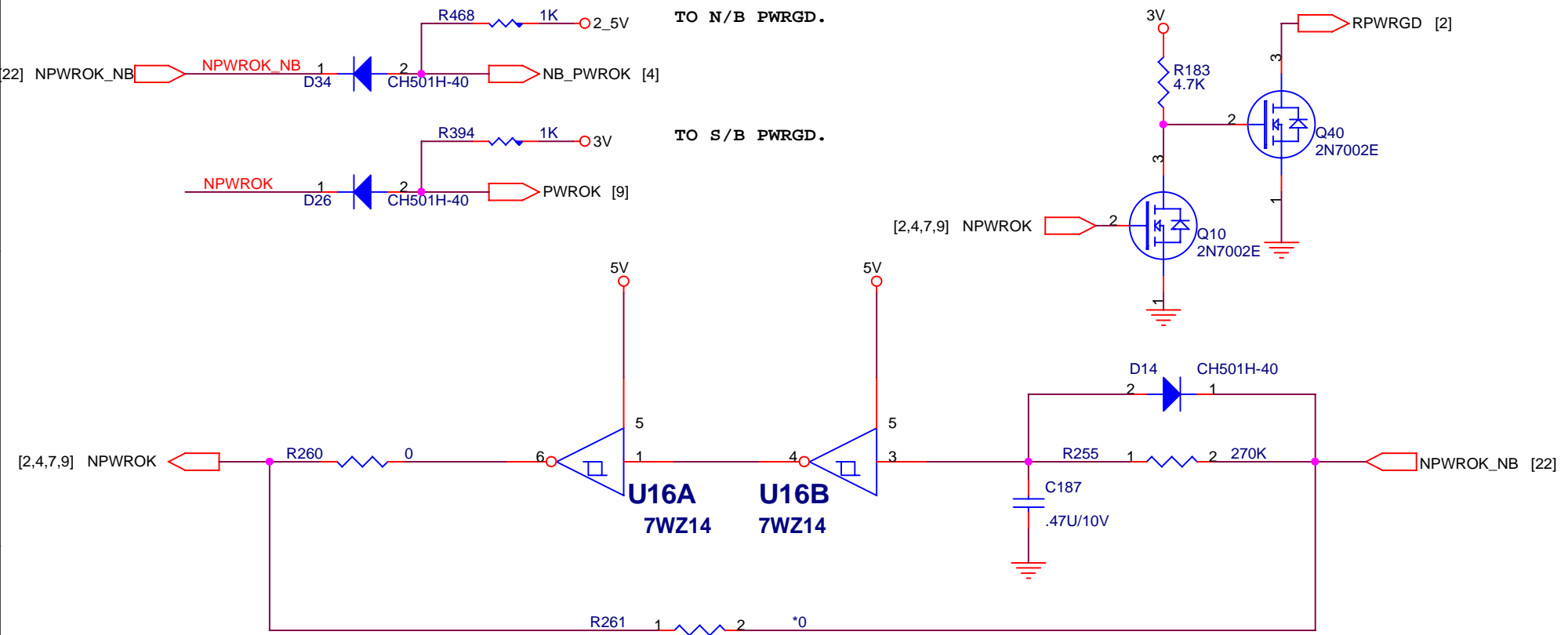





PROJECT : KT71

Quanta Computer Inc.

Size	Document Number	Rev	
Custom	SYSTEM POWER	3A	
Date:	Friday, April 11, 2003	Sheet	32 of 35



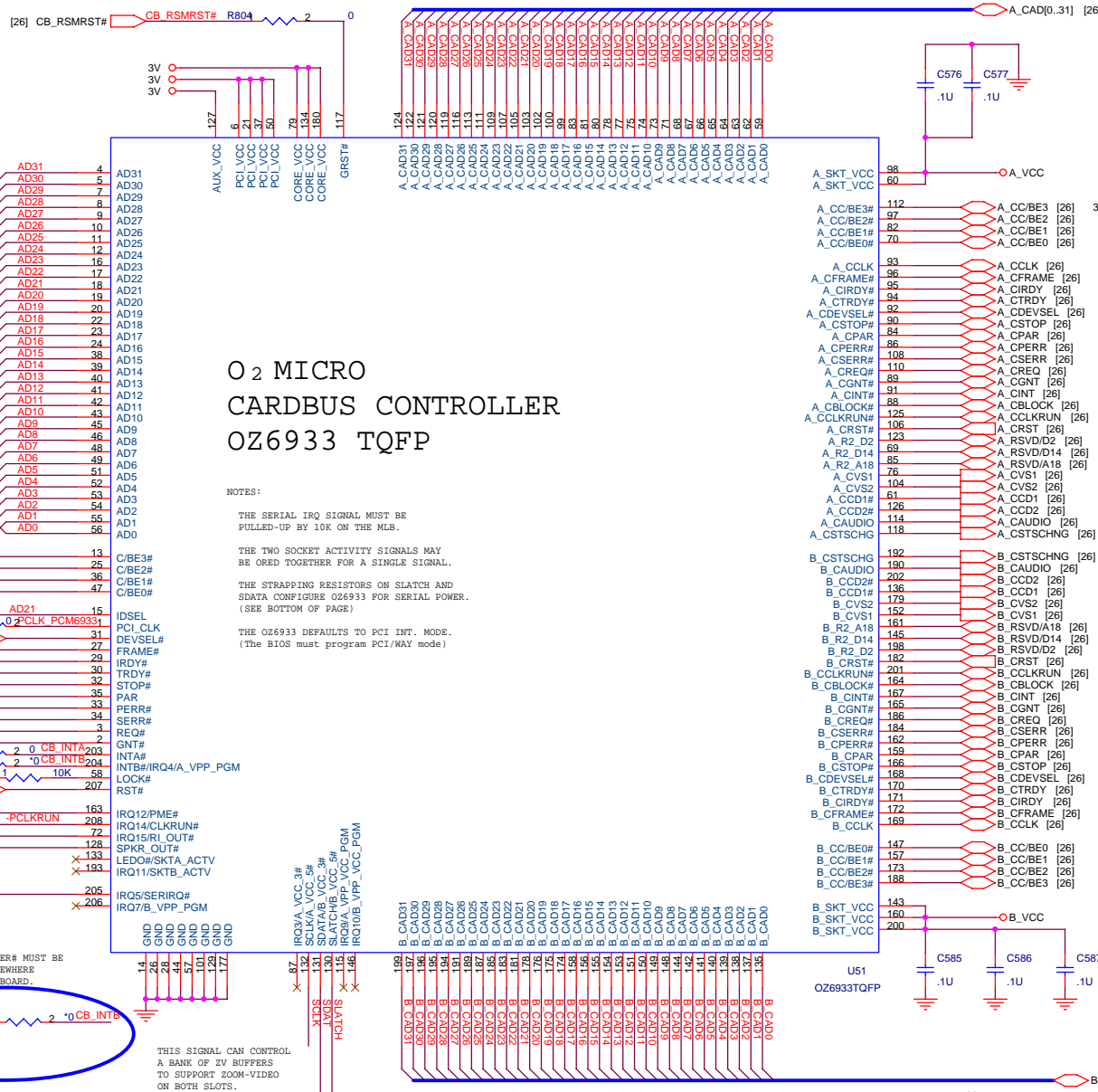


PROJECT : KT71

Quanta Computer Inc.

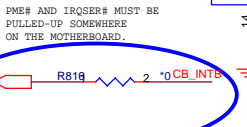
Size A	Document Number POWER GOOD CIRCUIT	Rev 3A
Date: Friday, April 11, 2003	Sheet 34 of 35	

CONNECT PIN 117 TO A_SKT_VCC = OZ6933 CONTROLLER INSTALLED
 CONNECT PIN 117 TO PCI_RST# = ONLY SUPPORT D3_HOT
 CONNECT PIN 117 TO GRST# = D3-COLD SUPPORT WITH GRST# SIGNAL



O₂ MICRO CARDBUS CONTROLLER OZ6933 TQFP

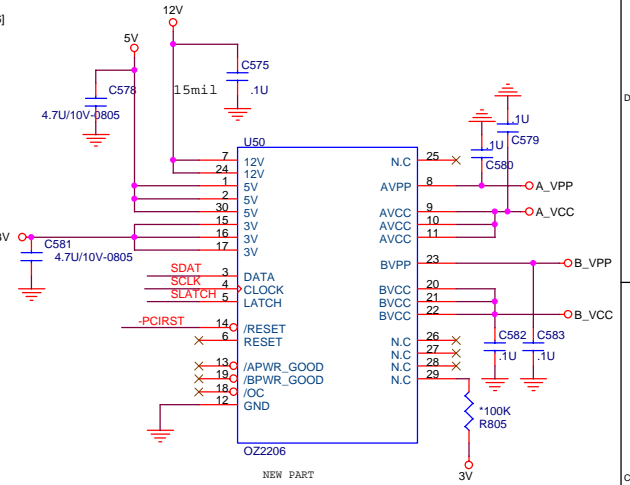
NOTES:
 THE SERIAL IRQ SIGNAL MUST BE PULLED-UP BY 10K ON THE MLB.
 THE TWO SOCKET ACTIVITY SIGNALS MAY BE ORED TOGETHER FOR A SINGLE SIGNAL.
 THE STRAPPING RESISTORS ON SLAT AND SDATA CONFIGURE OZ6933 FOR SERIAL POWER. (SEE BOTTOM OF PAGE)
 THE OZ6933 DEFAULTS TO PCI INT. MODE. (THE BIOS MUST PROGRAM PCI/WAY MODE)



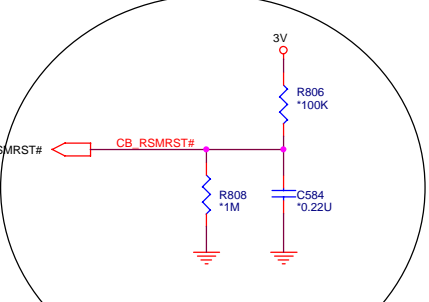
THIS SIGNAL CAN CONTROL A BANK OF 2V BUFFERS TO SUPPORT ZOOM-VIDEO ON BOTH SLOTS.

THESE RESISTORS ARE REQUIRED FOR POWER-ON STRAPPING IN ORDER TO GUARANTEE CORRECT POWER SWITCH MODE.

SERIAL POWER CONTROL



TI TPS2206 DUAL-SLOT SERIAL



PROJECT : KT71
Qnanta Computer Inc.

Size	Document Number	Rev
Custom	PCMCIA-OZ6933	2A
Date:	Friday, April 11, 2003	Sheet 35 of 35