

1 2 3 4 5 6 7 8

THIS DRAWING AND SPECIFICATIONS, HEREIN, ARE THE PROPERTY OF INVENTEC CORPORATION AND SHALL BE THE PROPERTY OF INVENTEC CORPORATION IN WHOLE OR PART. NO REPRODUCTION, COPIING, OR USE IN ANY MANNER WITHOUT WRITTEN PERMISSION, INVENTEC CORPORATION 2009 ALL RIGHT RESERVED

# Timex

## MV Build

2009/04/16

CHANGE NO.	REV	DATE
	2	

DRAWER	EE	DATE		POWER		DATE		<b>INVENTEC</b>	
CHECK DESIGN								TITLE <b>TIMEX</b>	
RESPONSIBLE								SIZE	A3
FILE NAME								DOC NUMBER	1810A23266-0-MFR
P/N								REV	102
									65

<http://laptop-motherboard-schematic.blogspot.com/>

## Index Of Content

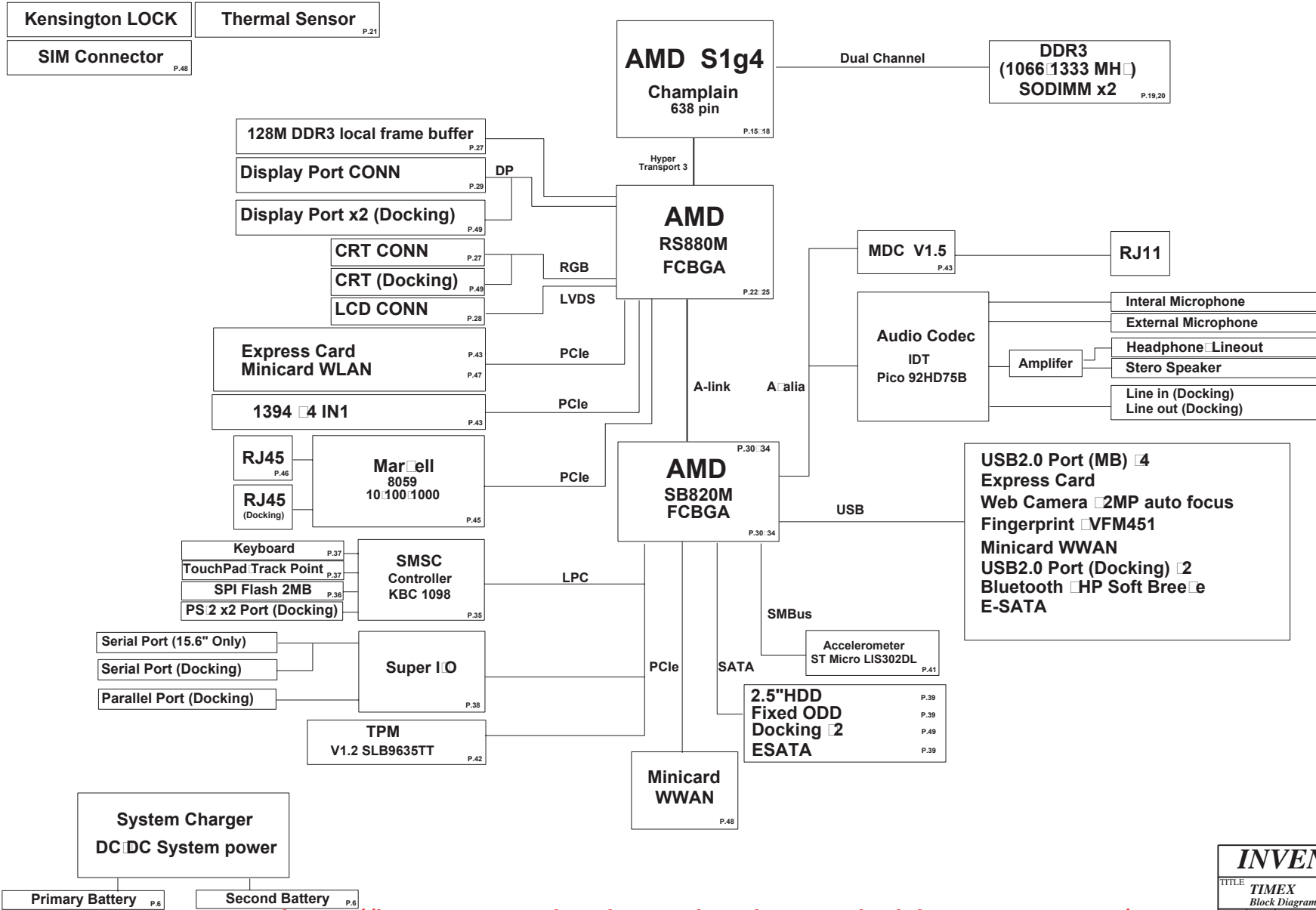
PAGE	PAGE	
01- Project Name	27- CRT	52- 7 IN 1& USB & 1394-1
02- Index	28- LCM	53- 7 IN 1 & USB & 1394-2
03- Block Diagram	29- DisplayPort	54- ODD EXTENSION BOARD
04- Power Procedure	30- SB820M-1	55- SERIAL BOARD
05- DC & BATTERY CHARGER	31- SB820M-2	56- POWER BUTTON
06- Battery CONN & TRAVEL Battery CONN	32- SB820M-3	57- AUDIO BOARD-1
07- +V5A & +V3A	33- SB820M-4	58- AUDIO BOARD-2
08- +V1.1A	34- SB820M-5	59- AUDIO BOARD-3
09- +V1.5 & +V1.8S	35- KBC 1098	60- AUDIO BOARD-4
10- +VDD_CORE & VDDNB_CORE	36- SPI	61- AUDIO BOARD-5
11- +VCC_NB & CPU_DDR	37- Keyboard CONN, Stickpoint CONN	62- CAP SENSOR BOARD 14" (SMSC)
12- +V3S, +V5S, +V1.5S, +V1.1S	38- SUPER IO	63- CAP SENSOR BOARD 15" (SMSC)
13- OCP	39- ESATA, HDD, ODD	64- BLANK
15- CPU-1	40- USB CONN	65- BLANK
16- CPU-2	41- Accelerometer	
17- CPU-3	42- TPM V1.2	
18- CPU-4	43- 7 in 1,MDC , ExpressCard CONN	
19- DDR3 DIMM0	44- FingerPrint , Bluetooth CONN , SwitchBoard CONN	
20- DDR3 DIMM1	45- LAN	
21- FAN & Thermal IC	46- RJ45 CONN	
22- RS880M-1	47- WLAN CONN	
23- RS880M-2	48- WWAN CONN , SIM CONN	
24- RS880M-3	49- DOCK	
25- RS880M-4	50- SCREW	
26- 64M Local Frame Buffer	51- EMI SOLUTION	

**INVENTEC**

TITLE <b>TIMEX</b> Index			
SIZE	CODE	DOC. NUMBER	REV
A3	CS	I310A2326802	A02
SHEET		2	OF 65

<http://laptop-motherboard-schematic.blogspot.com/>

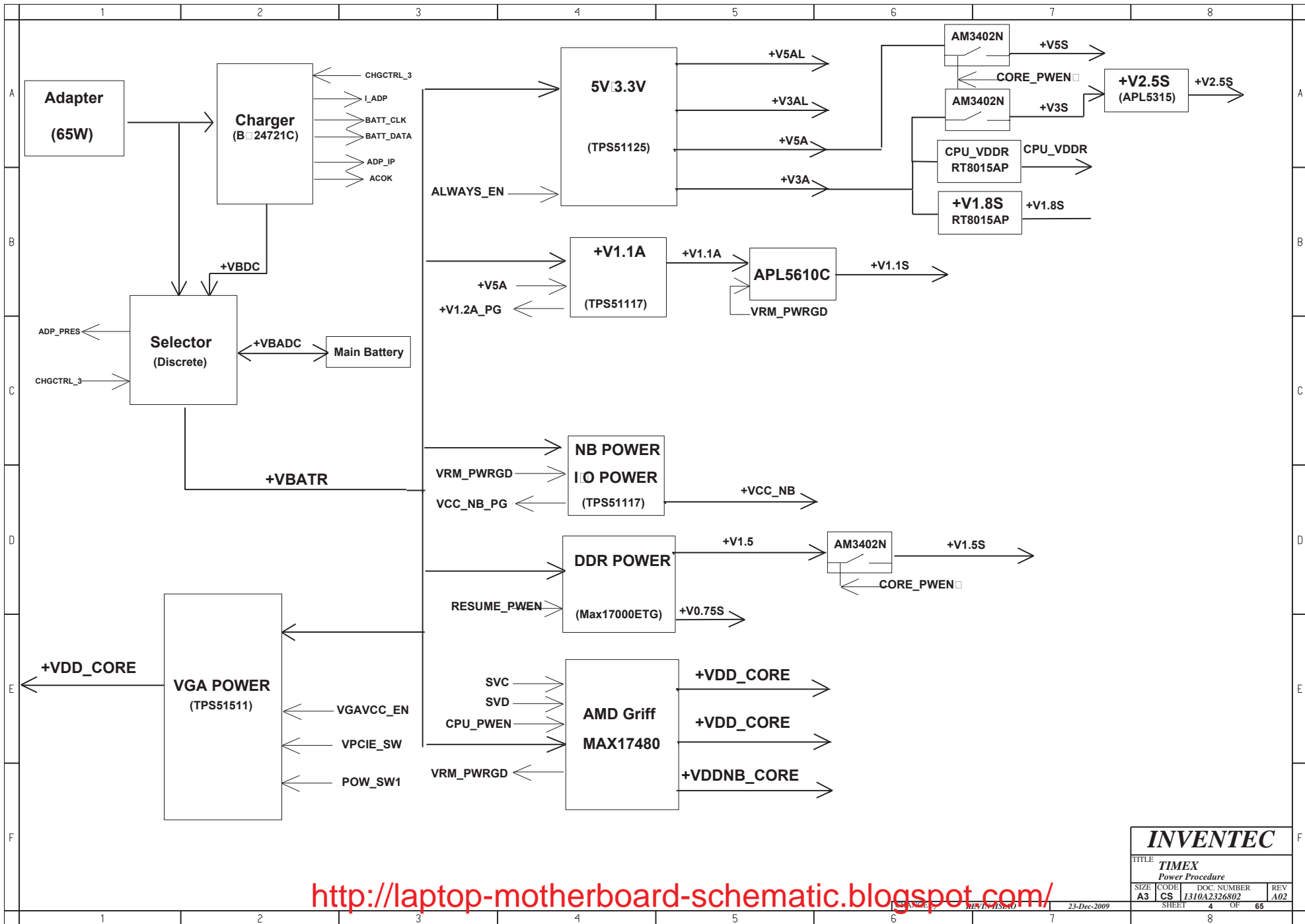
# In entec Confidential



<http://laptop-motherboard-schematic.blogspot.com/>

<b>INVENTEC</b>			
TITLE: <b>TIMEX</b> <i>Block Diagram</i>			
SIZE: <b>A3</b>	CODE: <b>CS</b>	DOC. NUMBER: <b>1310A2326802</b>	REV: <b>A02</b>
SHEET: <b>3</b> OF <b>65</b>			

23-Dec-2009

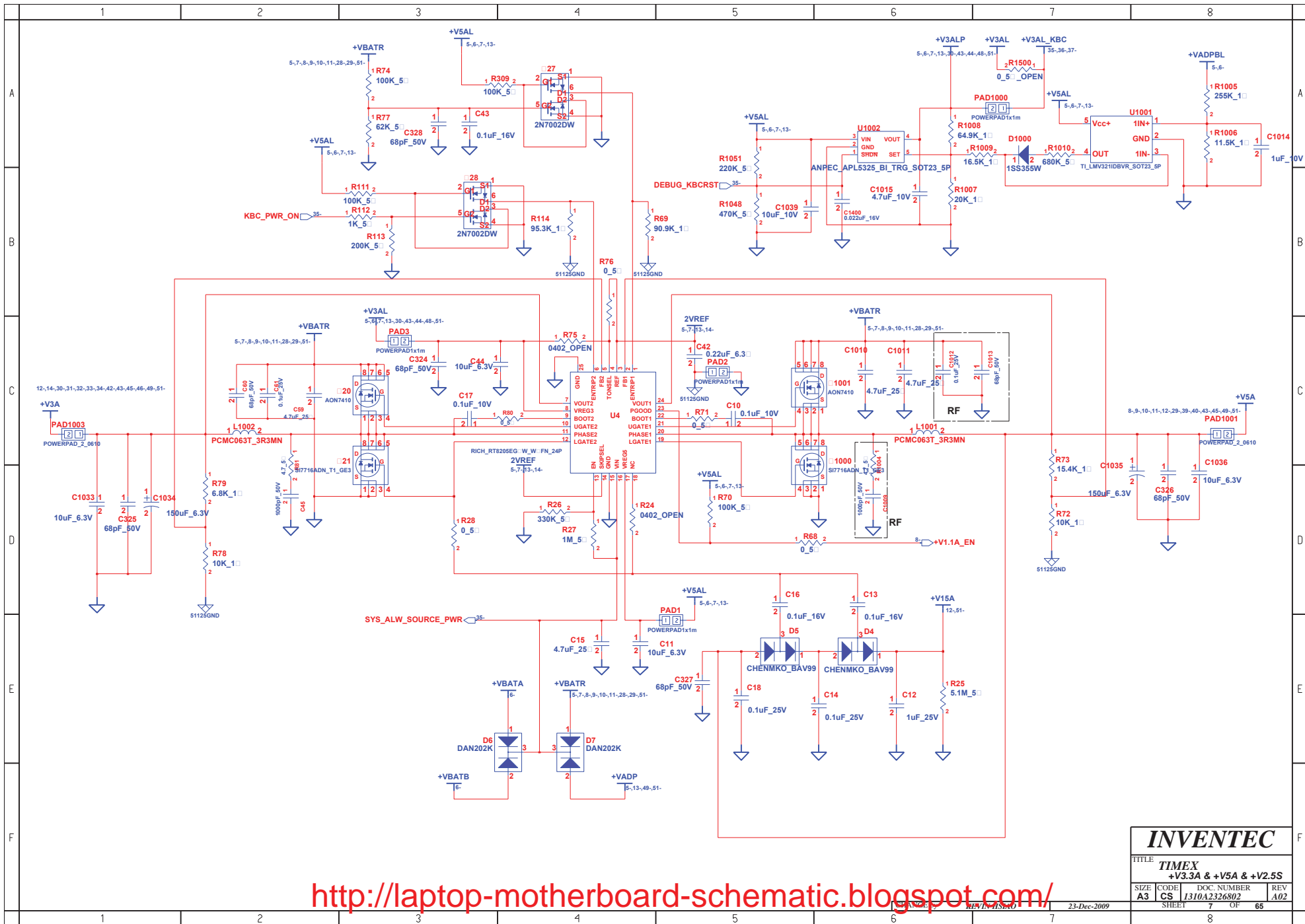


<http://laptop-motherboard-schematic.blogspot.com/>

<b>INVENTEC</b>			
TITLE: <b>TIMEX</b>			
Power Procedure			
SIZE	CODE	DOC. NUMBER	REV
A3	CS	1310A2326802	A02
SHEET		4	OF 65



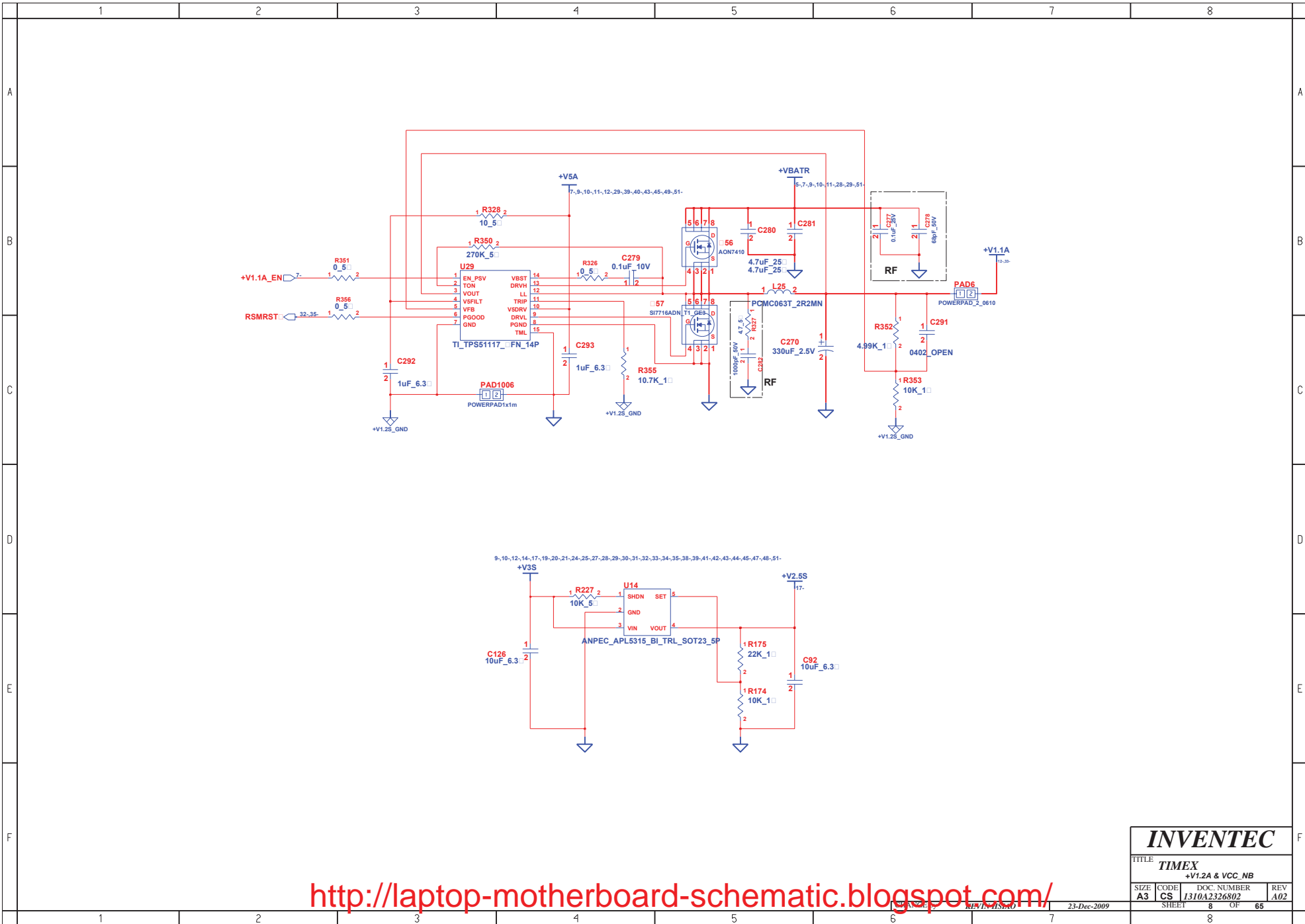




<http://laptop-motherboard-schematic.blogspot.com/>

<b>INVENTEC</b>			
TITLE: <b>TIMEX</b>			
<b>+V3.3A &amp; +V5A &amp; +V2.5S</b>			
SIZE	CODE	DOC. NUMBER	REV
A3	CS	I310A2326802	A02
SHEET		7	OF 65

23-Dec-2009

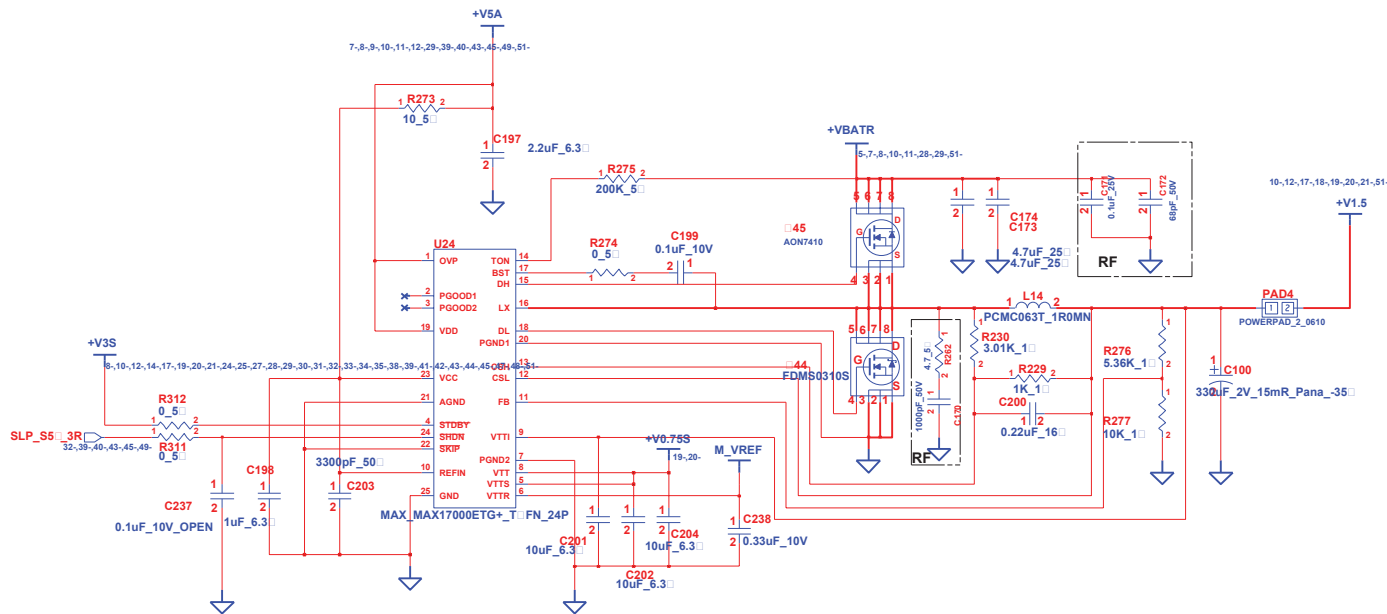


<http://laptop-motherboard-schematic.blogspot.com/>

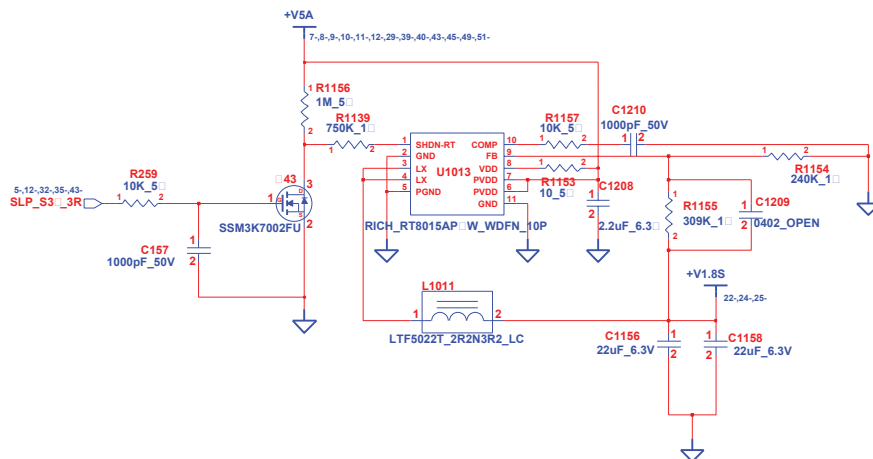
<b>INVENTEC</b>			
TITLE: <b>TIMEX</b>			
+V1.2A & VCC_NB			
SIZE	CODE	DOC. NUMBER	REV
A3	CS	I310A2326802	A02
SHEET		OF	
8		65	

23-Dec-2009





NOTE: DDR3 REGULATOR



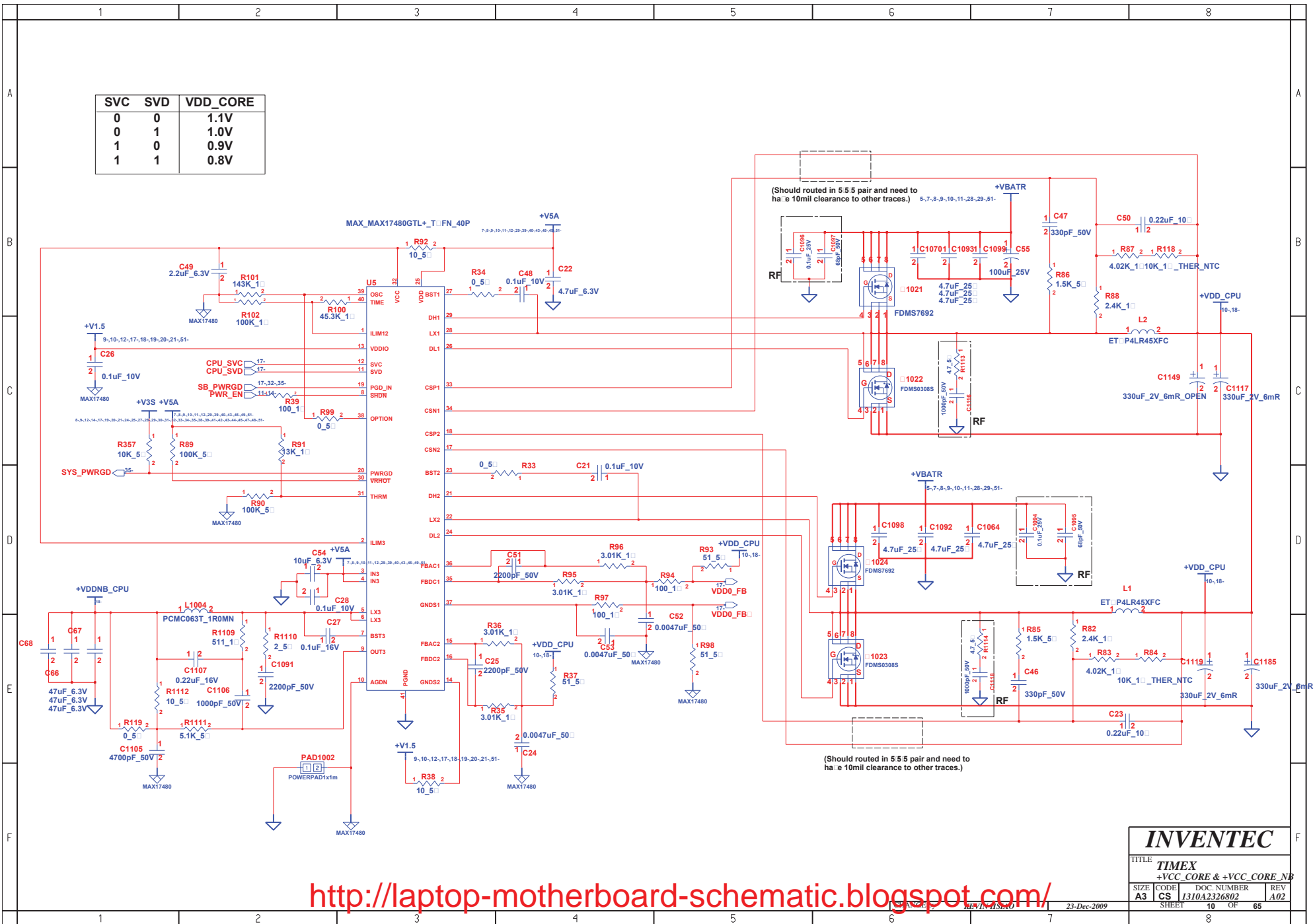
<http://laptop-motherboard-schematic.blogspot.com/>

**INVENTEC**

TITLE: <b>TIMEX DDR3 POWER</b>			
SIZE: <b>A3</b>	CODE: <b>CS</b>	DOC. NUMBER: <b>I310A2326802</b>	REV: <b>A02</b>
SHEET: <b>9</b>		OF: <b>65</b>	

23-Dec-2009

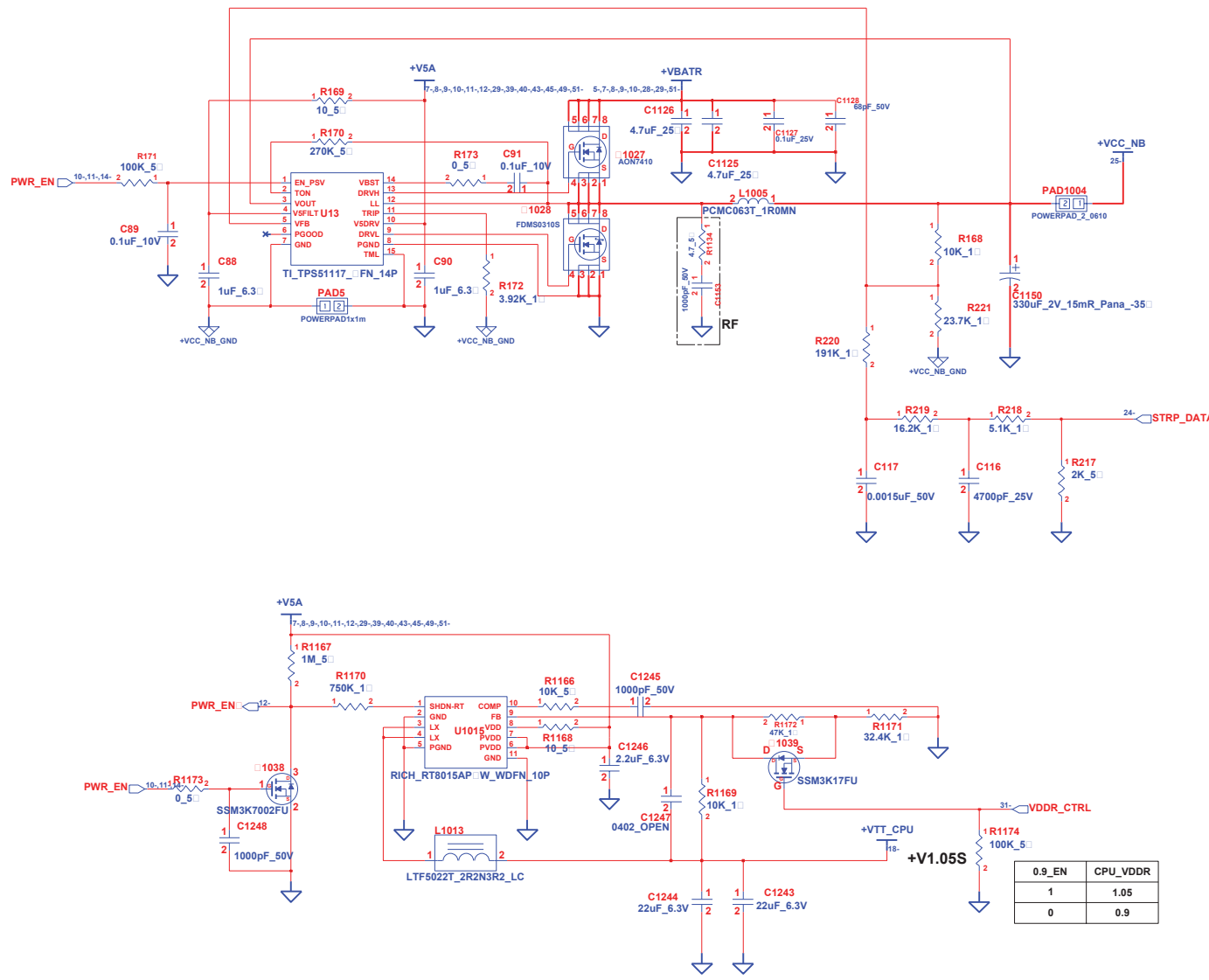
SVC	SVD	VDD_CORE
0	0	1.1V
0	1	1.0V
1	0	0.9V
1	1	0.8V



<http://laptop-motherboard-schematic.blogspot.com/>

<b>INVENTEC</b>			
TITLE: <b>TIMEX</b>			
+VCC_CORE & +VCC_CORE_NP			
SIZE	CODE	DOC. NUMBER	REV
A3	CS	I310A2326802	A02
SHEET		10	OF 65

23-Dec-2009



STRP_DATA	VCC_NB
0	1.1
1	0.95

0.9_EN	CPU_VDDR
1	1.05
0	0.9

<http://laptop-motherboard-schematic.blogspot.com/>

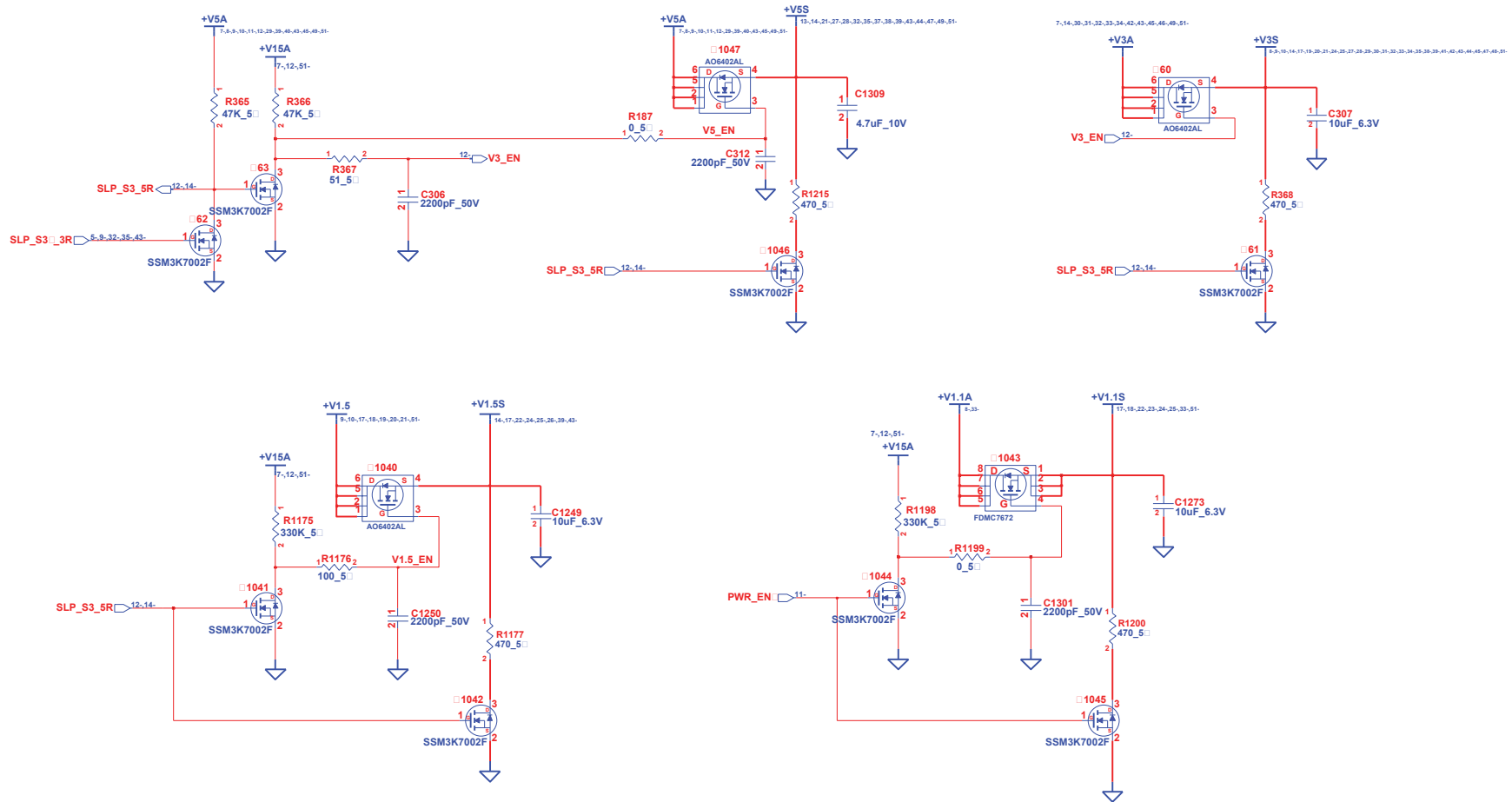
**INVENTEC**

TITLE: **TIMEX**

SIZE	CODE	DOC. NUMBER	REV
A3	CS	I310A2326802	A02

SHEET 11 OF 65

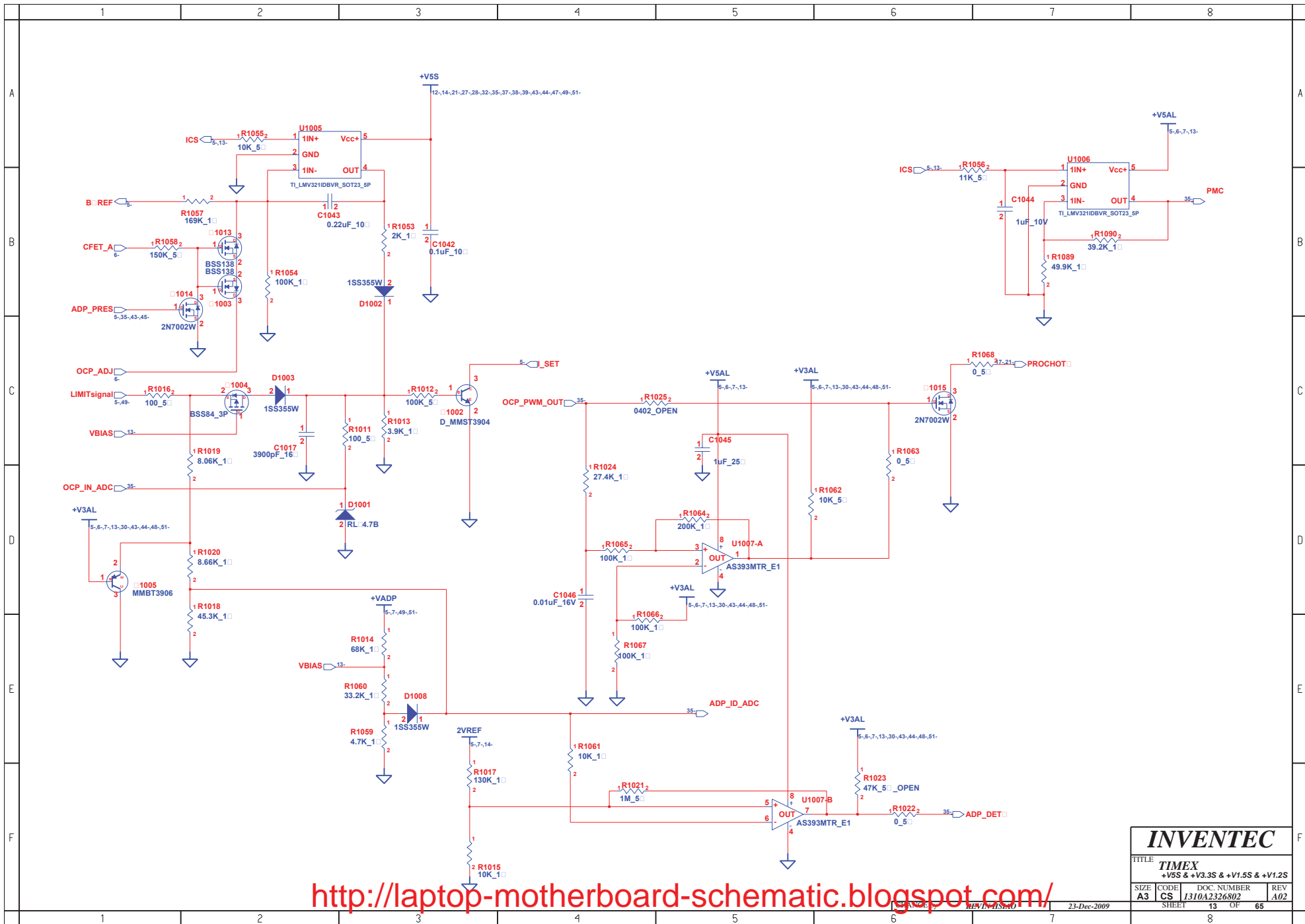
23-Dec-2009



<http://laptop-motherboard-schematic.blogspot.com/>

<b>INVENTEC</b>			
TITLE: <b>TIMEX</b>			
+V5S & +V3.3S & +V1.5S & +V1.2S			
SIZE	CODE	DOC. NUMBER	REV
A3	CS	I310A2326802	A02
SHEET		12	OF 65

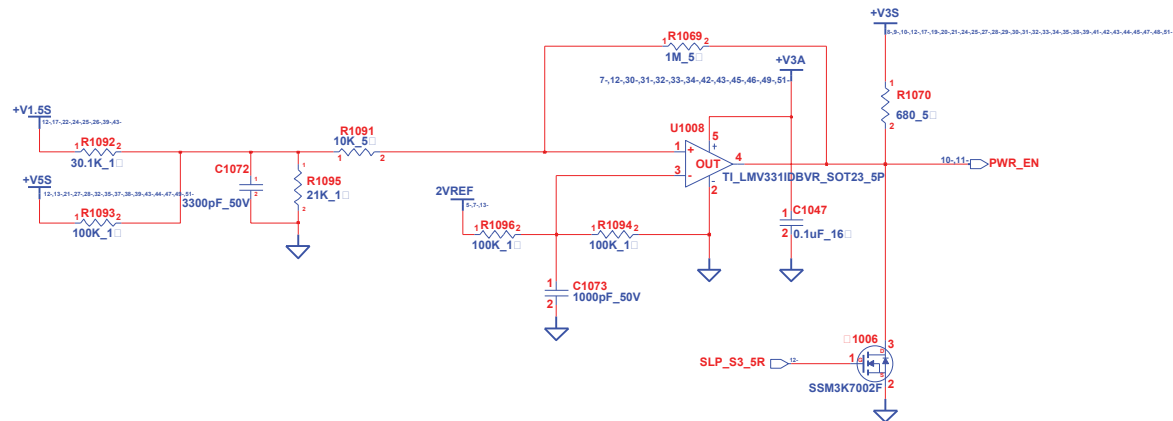
23-Dec-2009



<http://laptop-motherboard-schematic.blogspot.com/>

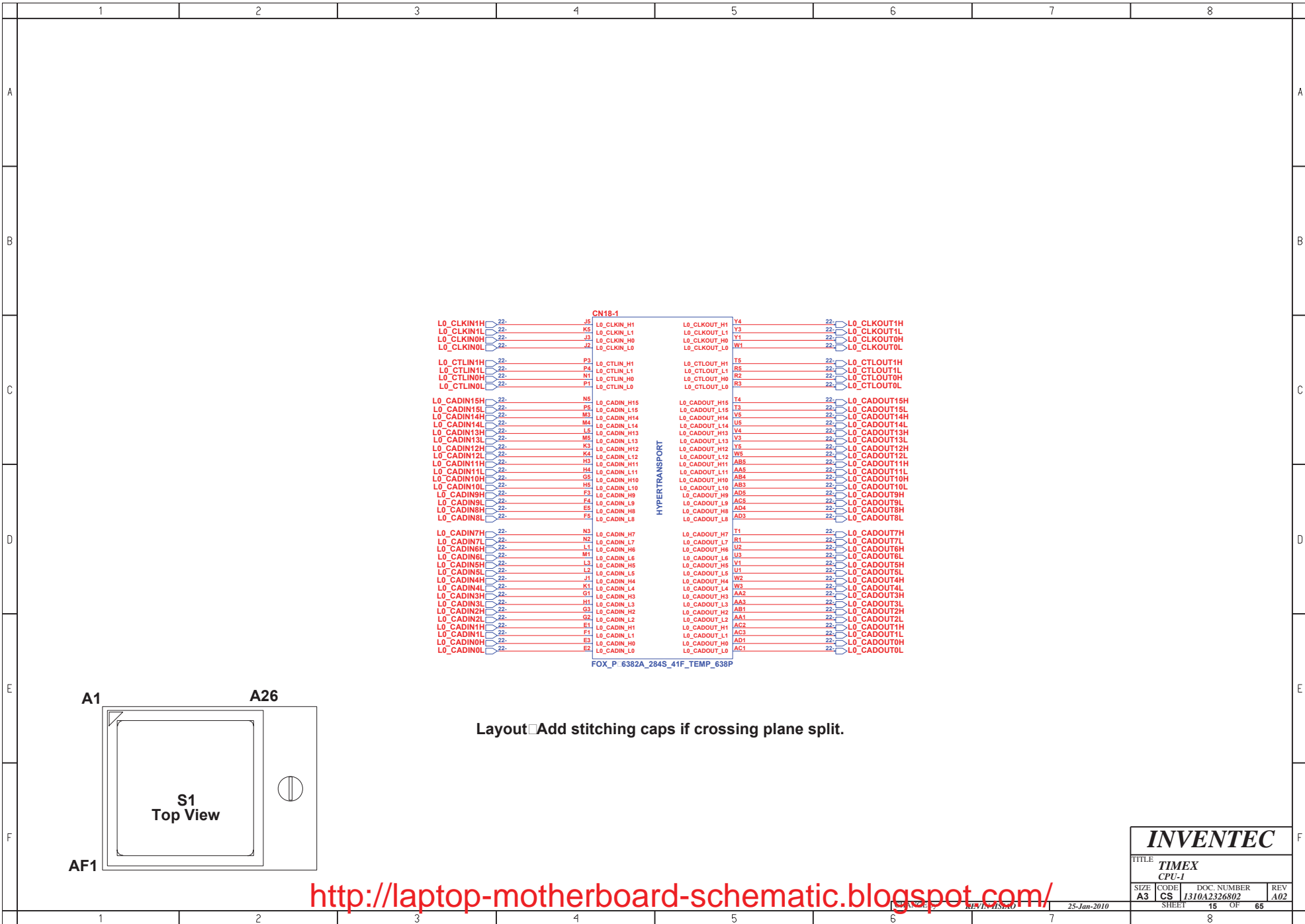
<b>INVENTEC</b>			
TITLE: <b>TIMEX</b>			
+VSS & +V3.3S & +V1.5S & +V1.2S			
SIZE	CODE	DOC. NUMBER	REV
A3	CS	I310A2326802	A02
SHEET		13	OF 65

23-Dec-2009



<http://laptop-motherboard-schematic.blogspot.com/>

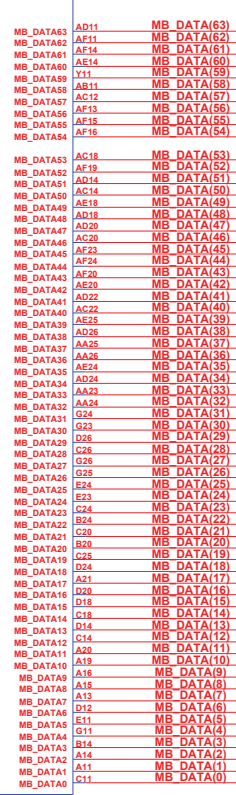
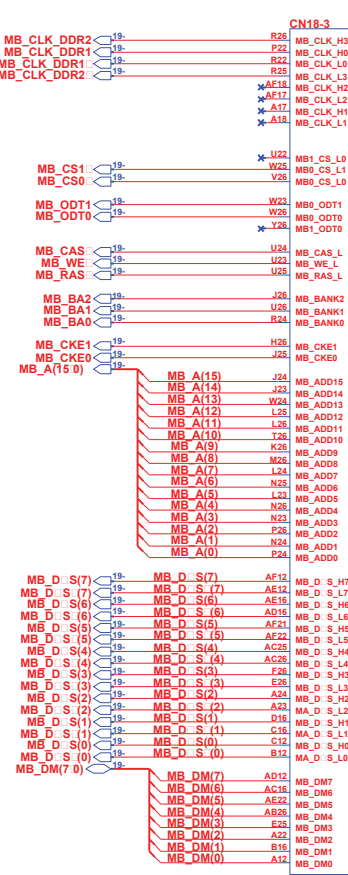
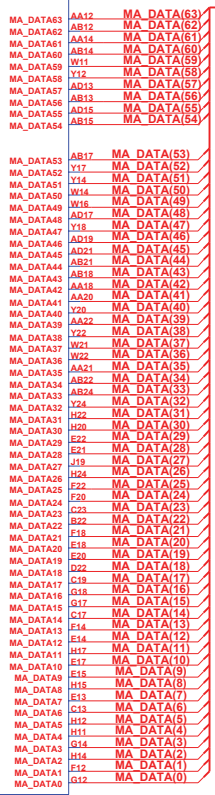
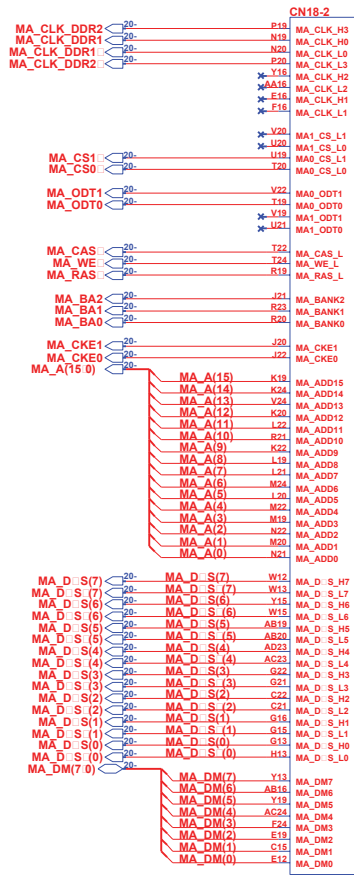
<b>INVENTEC</b>			
TITLE <b>TIMEX</b>			
+V5S & +V3.3S & +V1.5S & +V1.2S			
SIZE <b>A3</b>	CODE <b>CS</b>	DOC. NUMBER <b>I310A2326802</b>	REV <b>A02</b>
SHEET		OF	
14		65	



<http://laptop-motherboard-schematic.blogspot.com/>

<b>INVENTEC</b>			
TITLE <b>TIMEX</b> <b>CPU-1</b>			
SIZE <b>A3</b>	CODE <b>CS</b>	DOC. NUMBER <b>I310A2326802</b>	REV <b>A02</b>
SHEET <b>15</b>		OF <b>65</b>	

25-Jan-2010



FOX\_P\_6382A\_284S\_41F\_TEMP\_638P

FOX\_P\_6382A\_284S\_41F\_TEMP\_638P

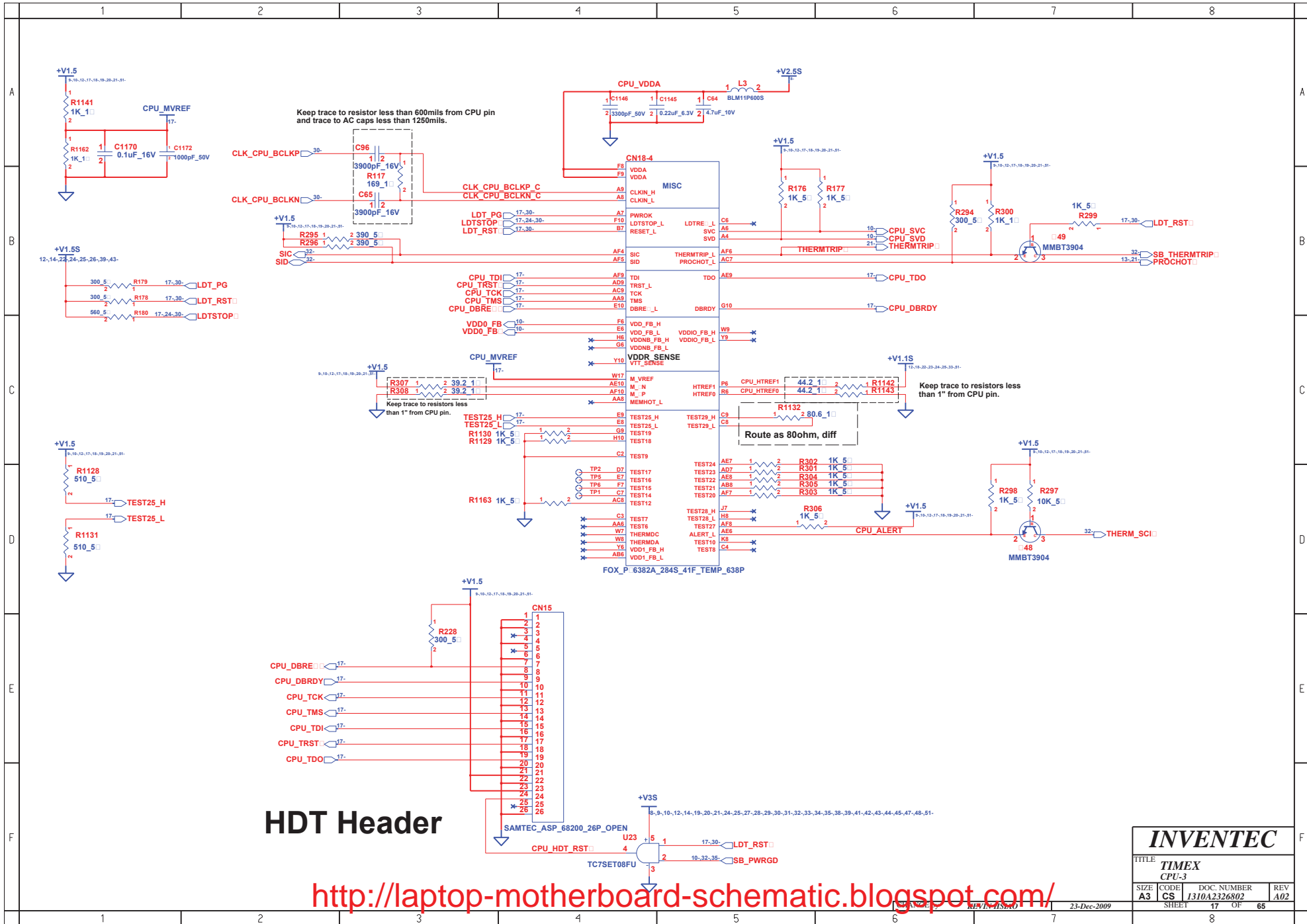
<http://laptop-motherboard-schematic.blogspot.com/>

<b>INVENTEC</b>			
TITLE: <b>TIMEX CPU-2</b>			
SIZE: <b>A3</b>	CODE: <b>CS</b>	DOC. NUMBER: <b>1310A2326802</b>	REV: <b>A02</b>
SHEET: <b>16</b>		OF: <b>65</b>	

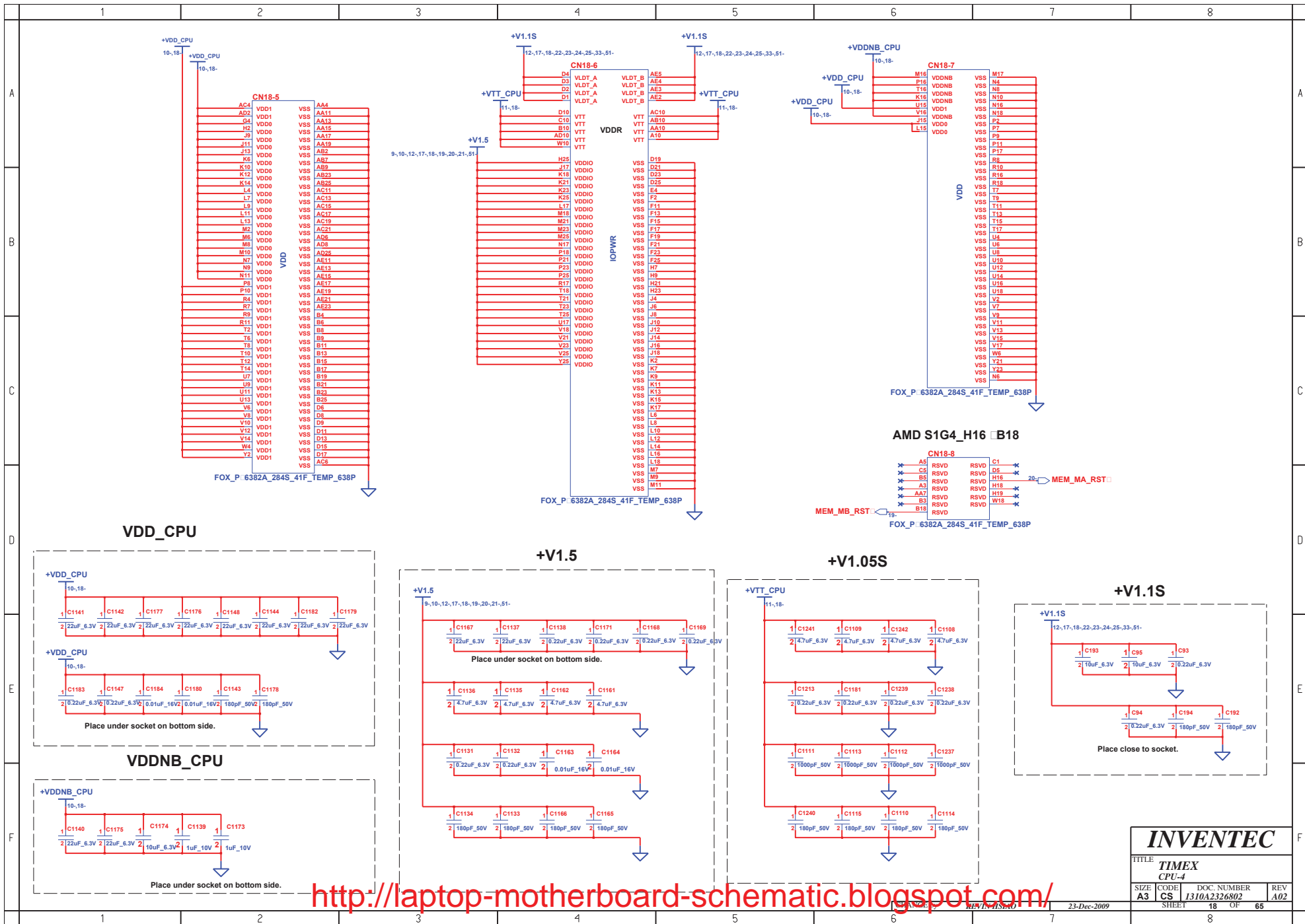
25-Jan-2010

8





<http://laptop-motherboard-schematic.blogspot.com/>

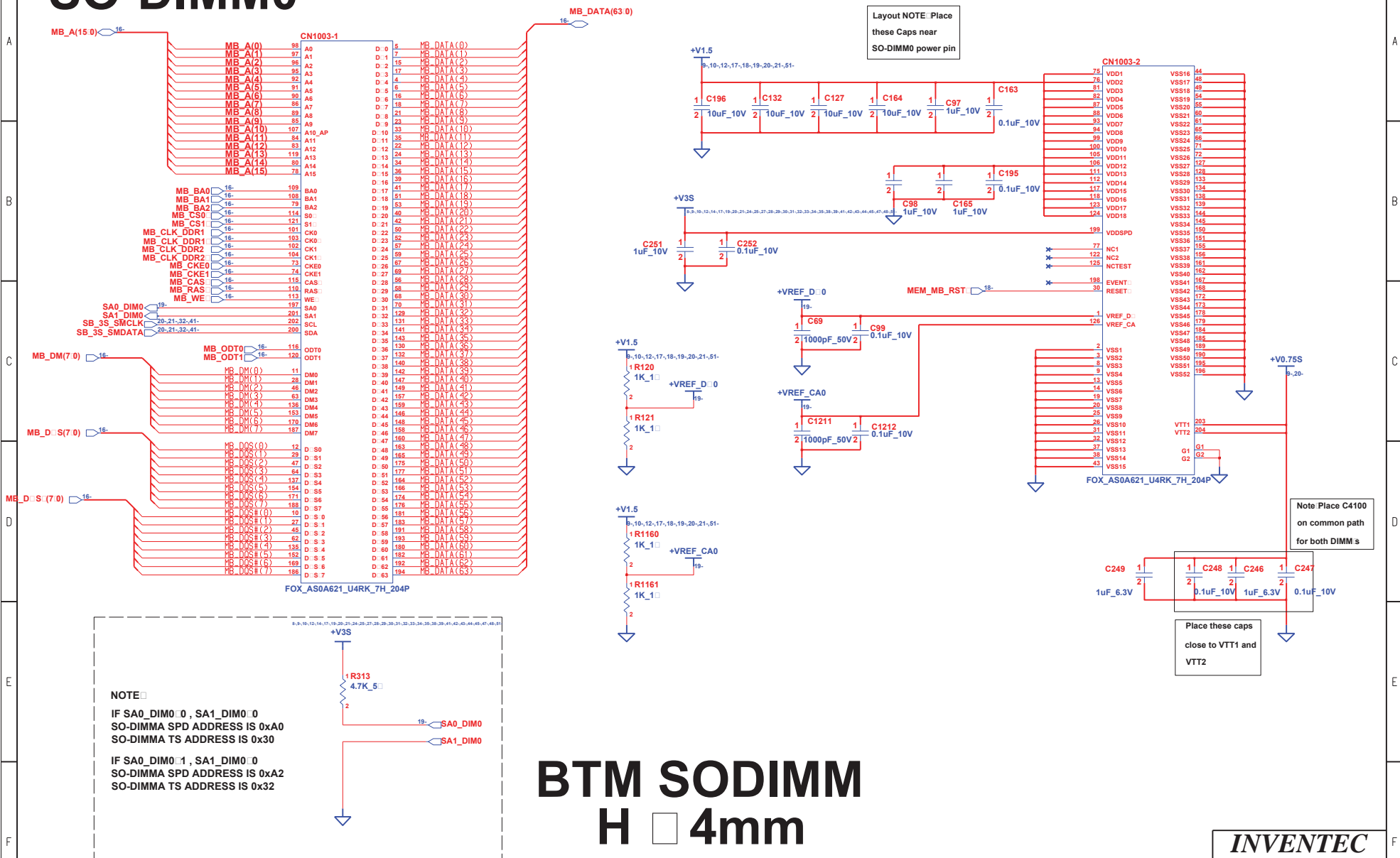


<http://laptop-motherboard-schematic.blogspot.com/>

<b>INVENTEC</b>			
TITLE <b>TIMEX</b>			
CPU-4			
SIZE	CODE	DOC. NUMBER	REV
A3	CS	I310A2326802	A02
SHEET		18	OF 65

23-Dec-2009

# SO-DIMM0



**NOTE**

IF SA0\_DIMM0, SA1\_DIMM0  
 SO-DIMMA SPD ADDRESS IS 0xA0  
 SO-DIMMA TS ADDRESS IS 0x30

IF SA0\_DIMM1, SA1\_DIMM1  
 SO-DIMMA SPD ADDRESS IS 0xA2  
 SO-DIMMA TS ADDRESS IS 0x32

## BTM SODIMM H 4mm

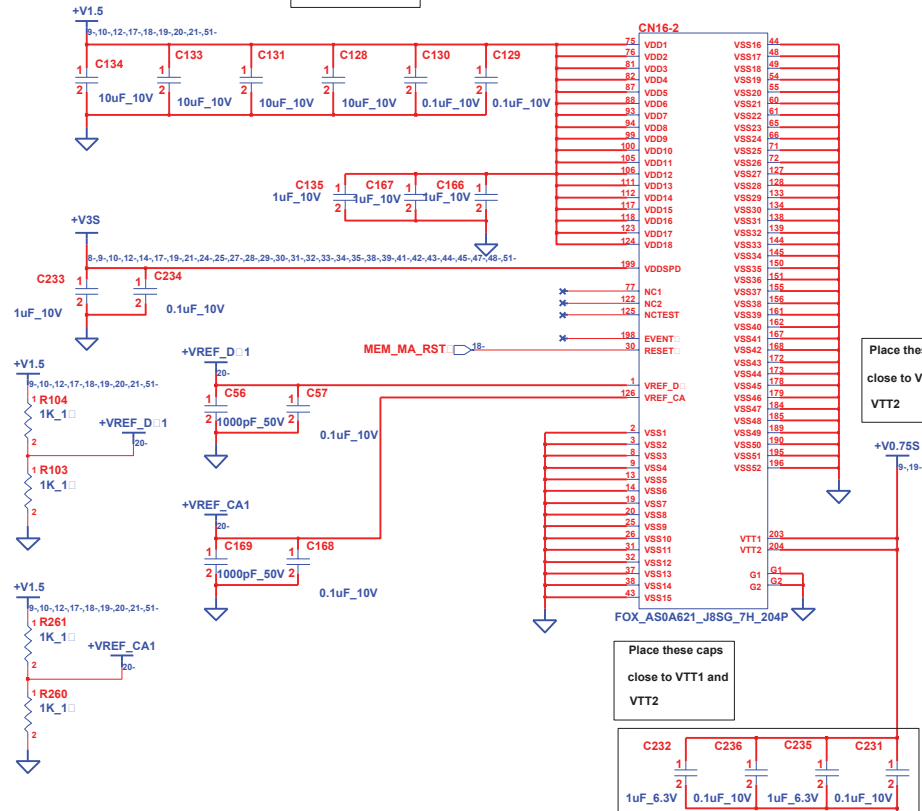
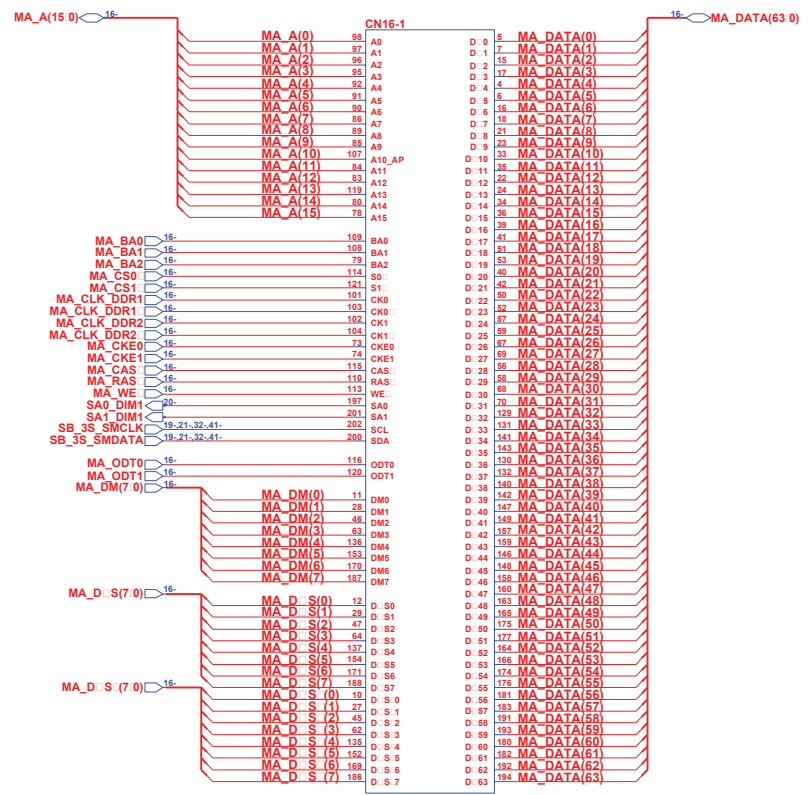
<http://laptop-motherboard-schematic.blogspot.com/>

INVENTEC			
TITLE: TIMEX DDR3 DIMM0			
SIZE: A3	CODE: CS	DOC. NUMBER: I310A2326802	REV: A02
SHEET: 19		OF: 65	

23-Dec-2009

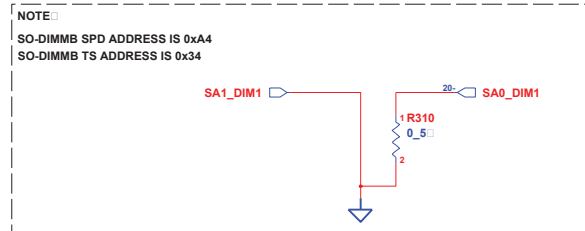
# SO-DIMM1

Layout Note Place these Caps near SO-DIMM1 power pin



Place these caps close to VTT1 and VTT2

Place these caps close to VTT1 and VTT2



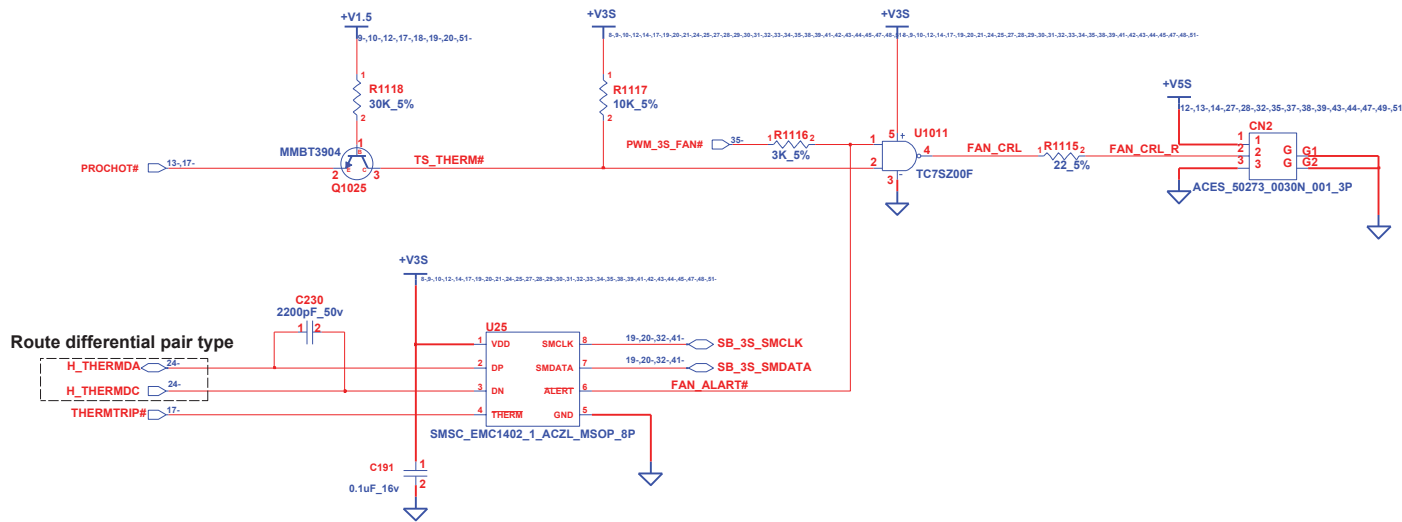
## TOP SODIMM

### H 8mm

<http://laptop-motherboard-schematic.blogspot.com/>

<b>INVENTEC</b>			
TITLE <b>TIMEX DDR3 DIMM1</b>			
SIZE <b>A3</b>	CODE <b>CS</b>	DOC. NUMBER <b>I310A2326802</b>	REV <b>A02</b>
SHEET <b>20</b>		OF <b>65</b>	

23-Dec-2009



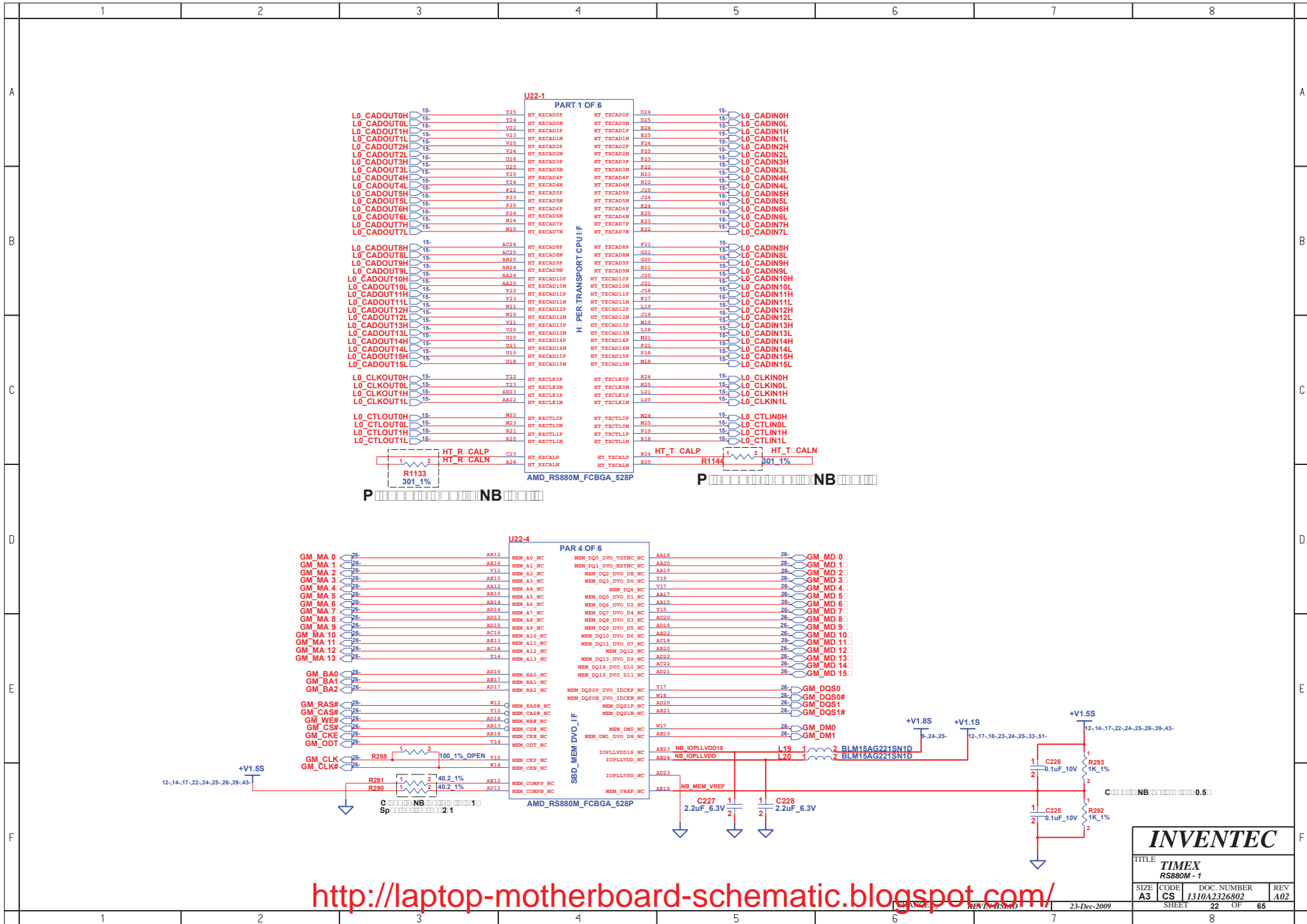
LAYOUT Note □ Put the thermal sensor close to north bridge.

<http://laptop-motherboard-schematic.blogspot.com/>

**INVENTEC**

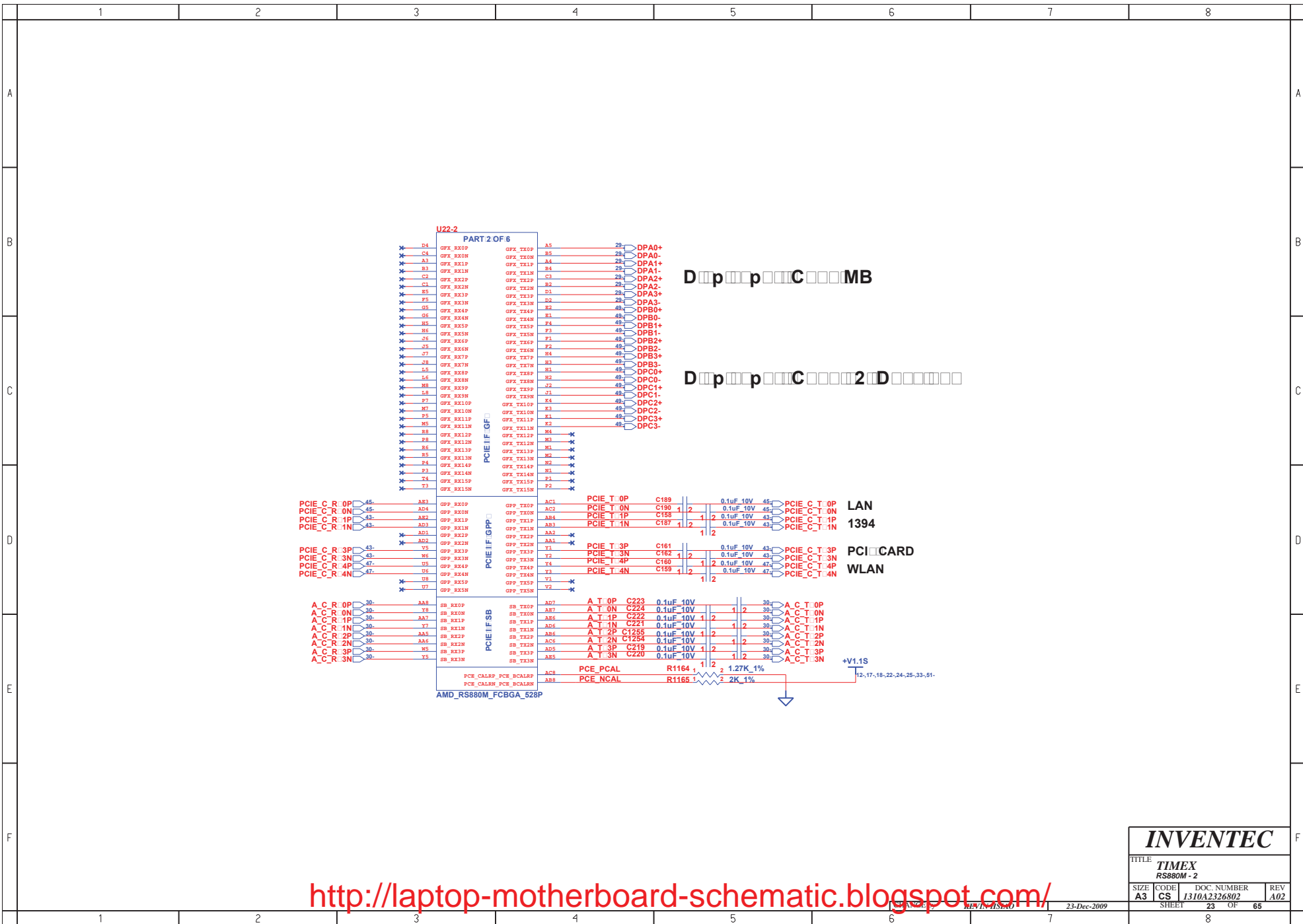
TITLE			
TIMEX FAN & THERMAL			
SIZE	CODE	DOC. NUMBER	REV
A3	CS	I310A2326802	A02
SHEET		21	OF 65

23-Dec-2009



<http://laptop-motherboard-schematic.blogspot.com/>

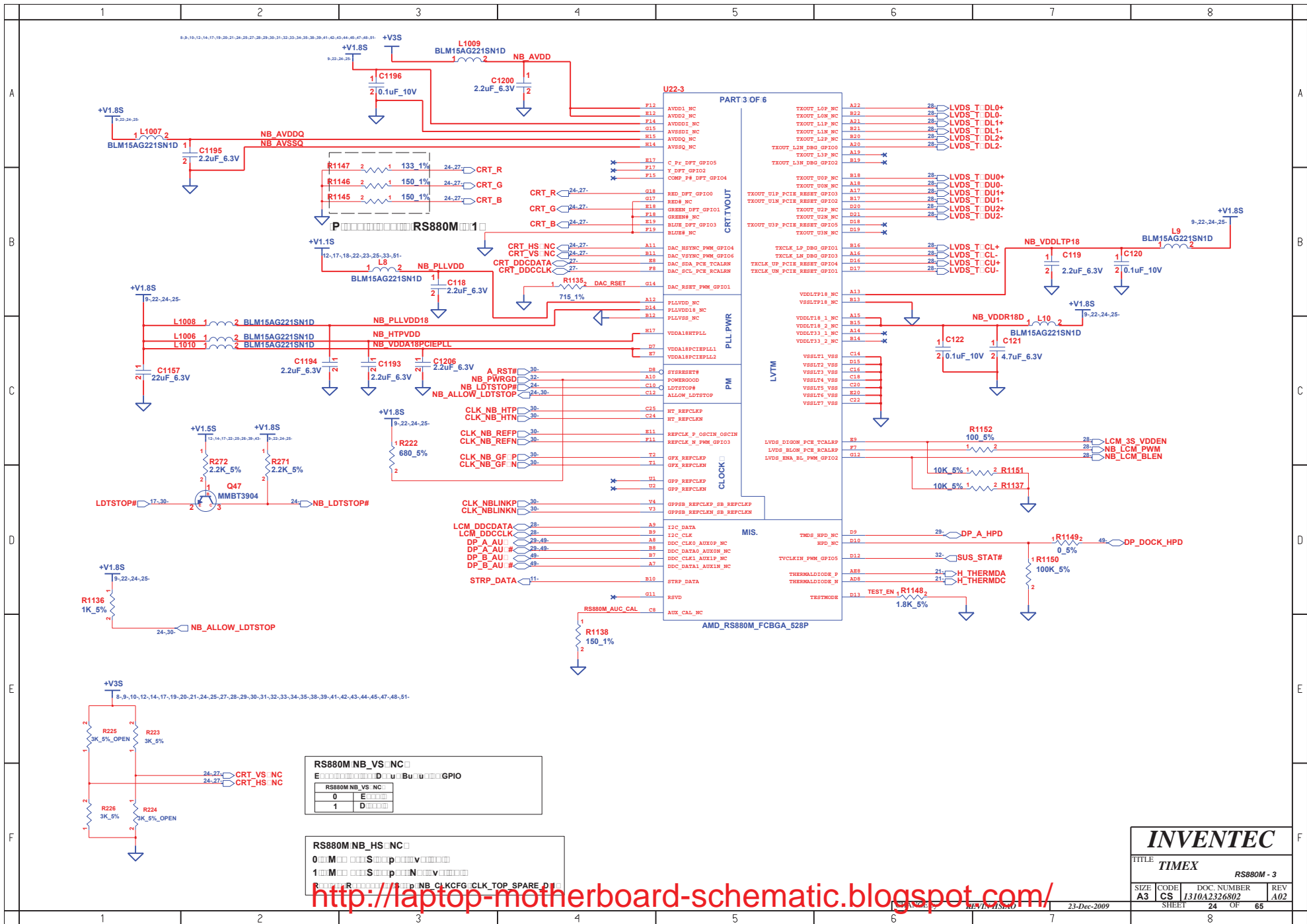
<b>INVENTEC</b>			
TITLE <b>TIMEX</b> RS880M - 1			
SIZE <b>A3</b>	CODE <b>CS</b>	DOC. NUMBER <b>I310A2326802</b>	REV <b>A02</b>
SHEET <b>22</b>		OF <b>65</b>	



<http://laptop-motherboard-schematic.blogspot.com/>

<b>INVENTEC</b>			
TITLE <b>TIMEX</b> RS880M - 2			
SIZE <b>A3</b>	CODE <b>CS</b>	DOC. NUMBER <b>I310A2326802</b>	REV <b>A02</b>
SHEET <b>23</b>		OF <b>65</b>	

23-Dec-2009



<http://laptop-motherboard-schematic.blogspot.com/>

RS880M NB\_VS\_NC

0	M	S	p	V
1	D			

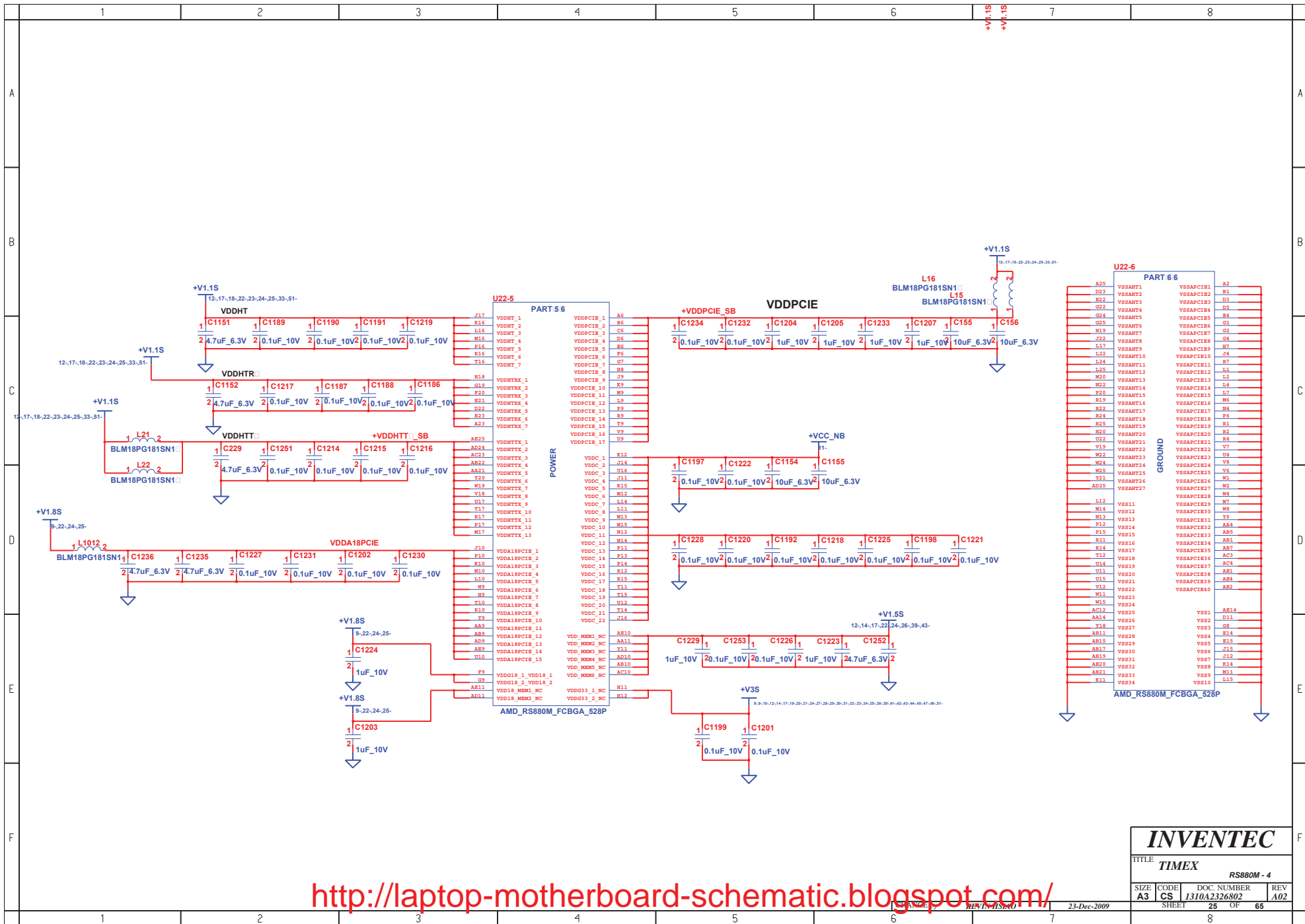
RS880M NB\_HS\_NC

0	M	S	p	V
1	D			

<b>INVENTEC</b>			
TITLE <b>TIMEX</b>			
RS880M - 3			
SIZE	CODE	DOC. NUMBER	REV
A3	CS	I310A2326802	A02
SHEET		24 OF 65	

23-Dec-2009





<http://laptop-motherboard-schematic.blogspot.com/>

**INVENTEC**

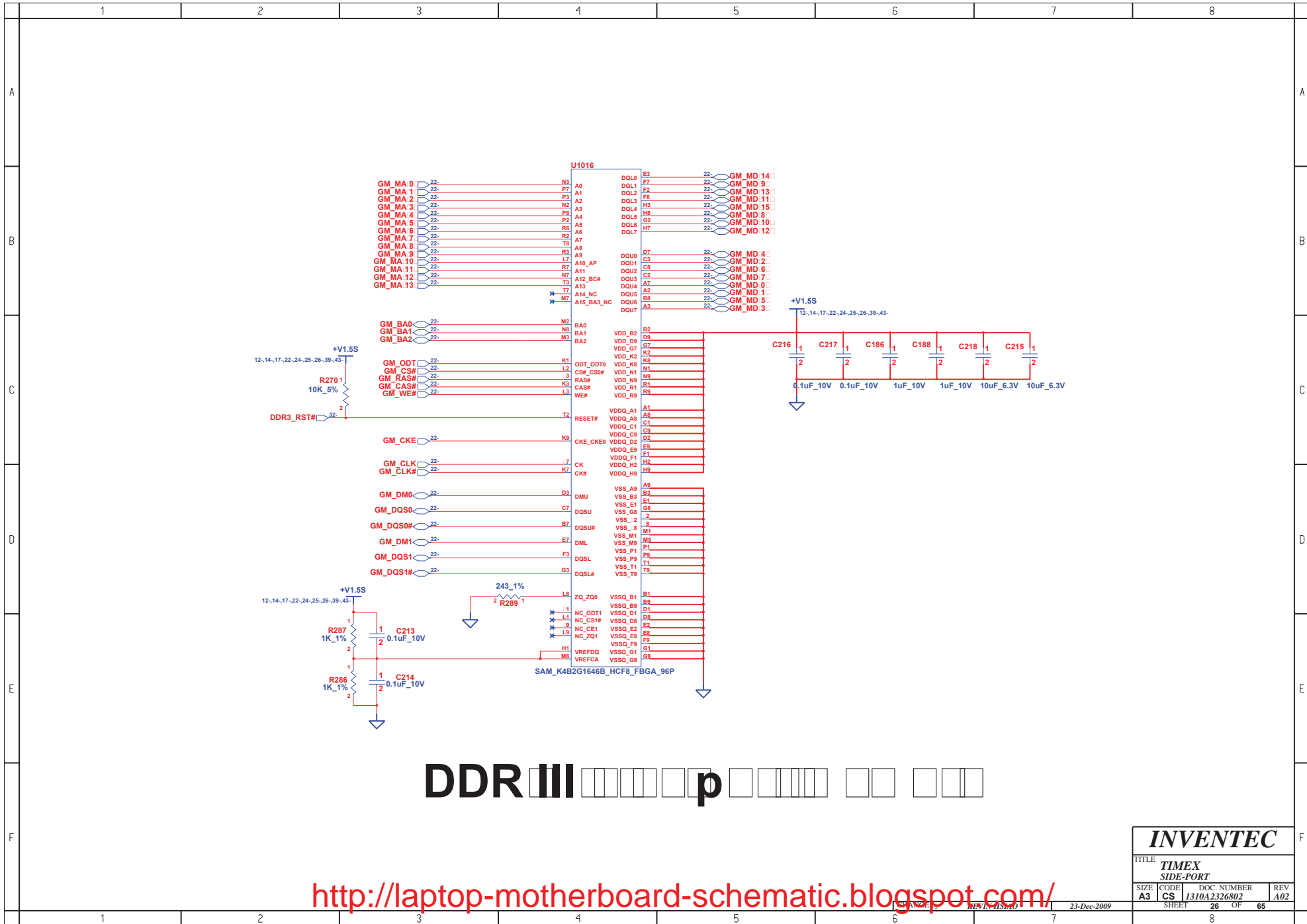
TITIMEX

RS880M - 4

SIZE	CODE	DOC. NUMBER	REV
A3	CS	1310A2326802	A02

SHEET 25 OF 65

23-Dec-2009

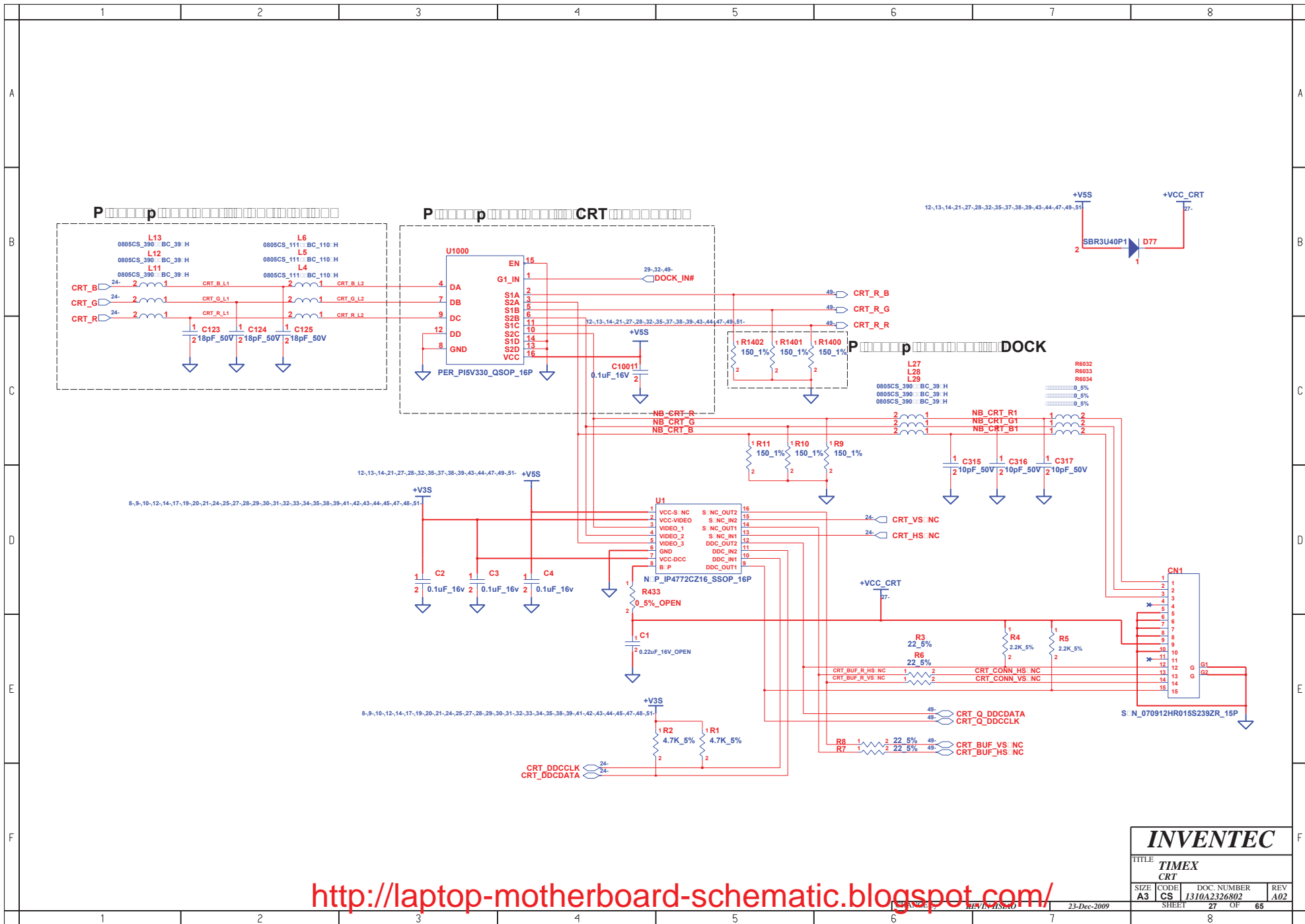


<http://laptop-motherboard-schematic.blogspot.com/>

**INVENTEC**

TITLE <b>TIMEX SIDE-PORT</b>			
SIZE <b>A3</b>	CODE <b>CS</b>	DOC. NUMBER <b>1310A2326802</b>	REV <b>A02</b>
SHEET <b>26</b>		OF <b>65</b>	

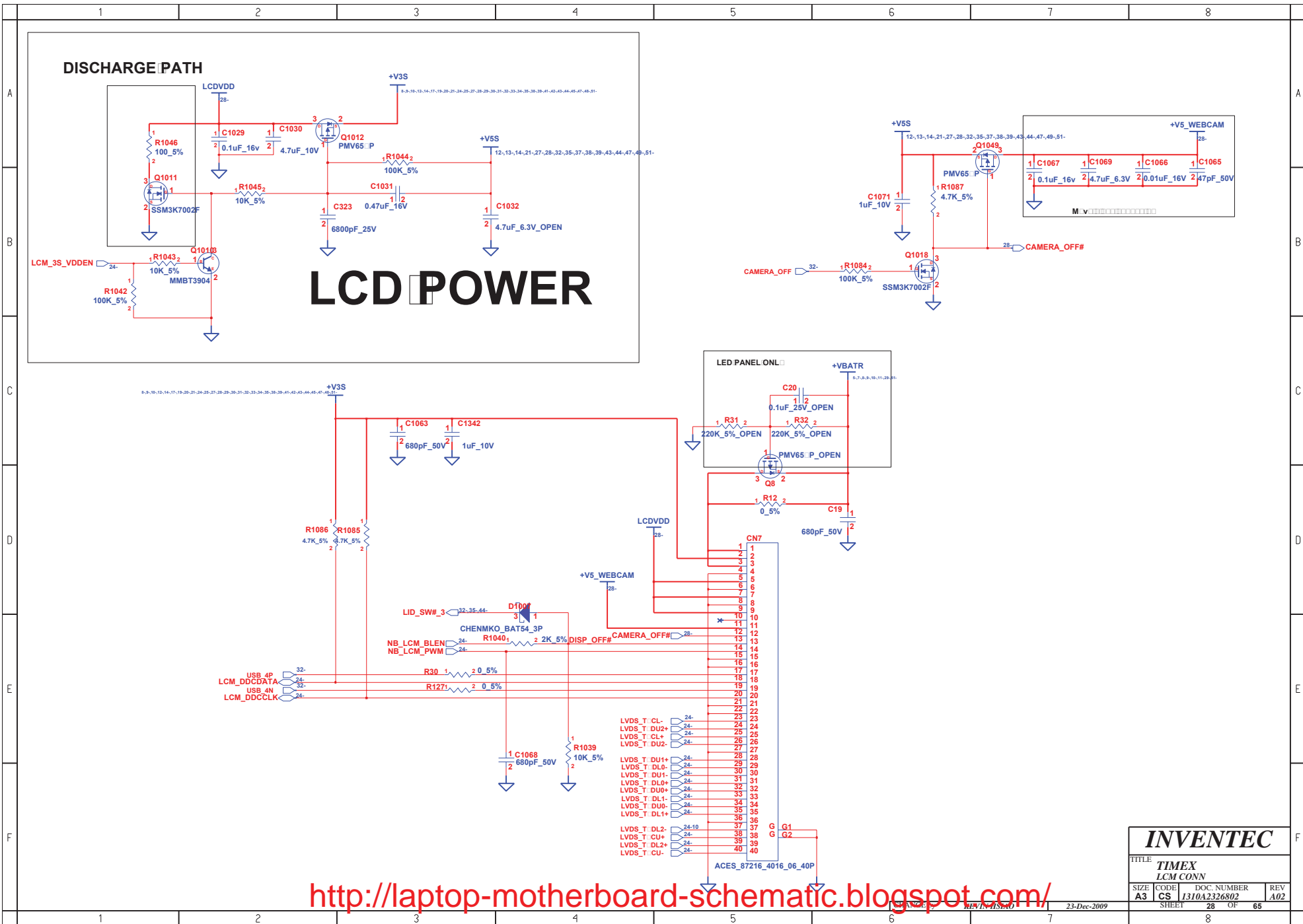
23-Dec-2009



<http://laptop-motherboard-schematic.blogspot.com/>

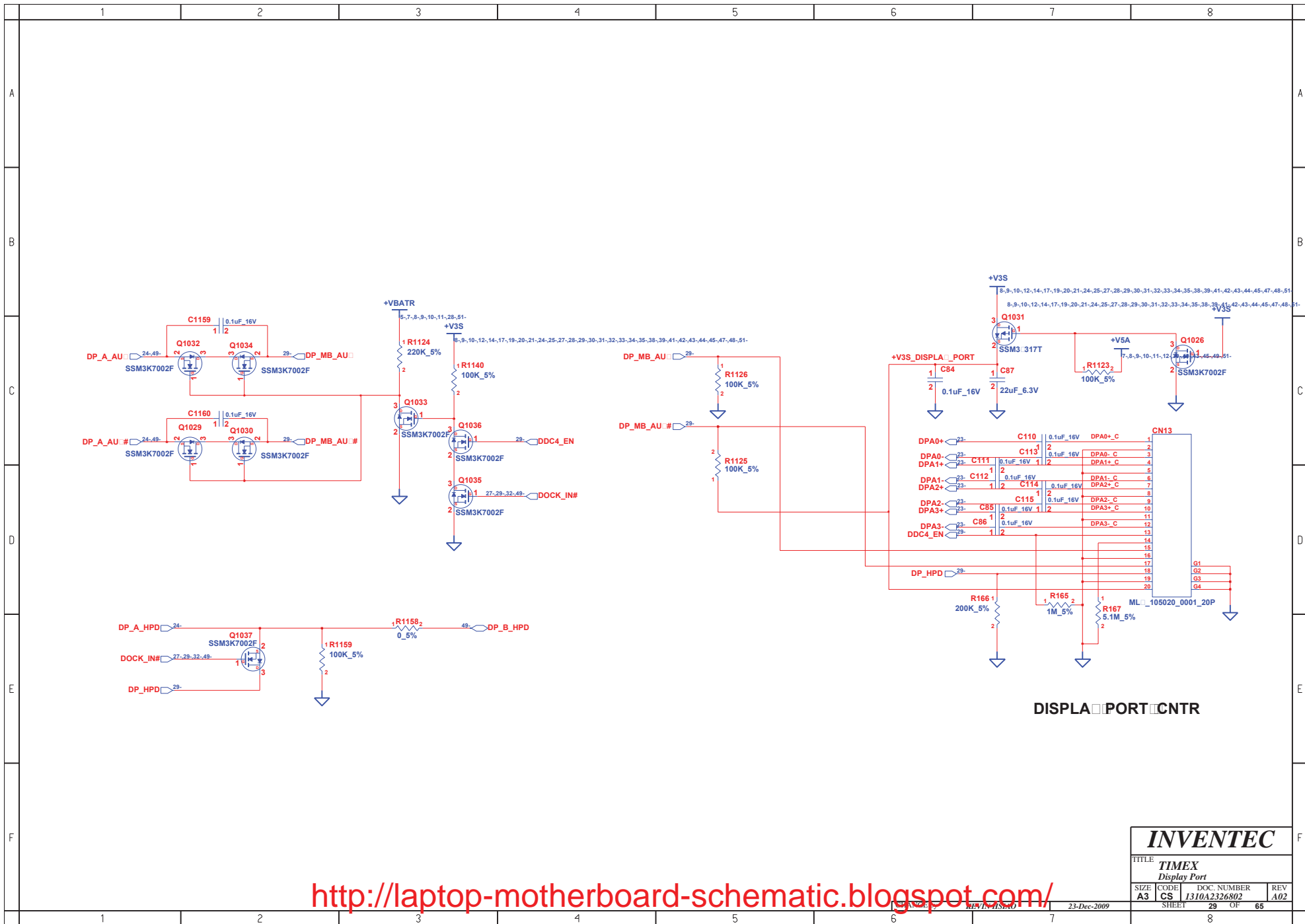
<b>INVENTEC</b>			
TITLE <b>TIMEX</b> CRT			
SIZE <b>A3</b>	CODE <b>CS</b>	DOC. NUMBER <b>I310A2326802</b>	REV <b>A02</b>
SHEET <b>27</b>		OF <b>65</b>	

23-Dec-2009



<http://laptop-motherboard-schematic.blogspot.com/>

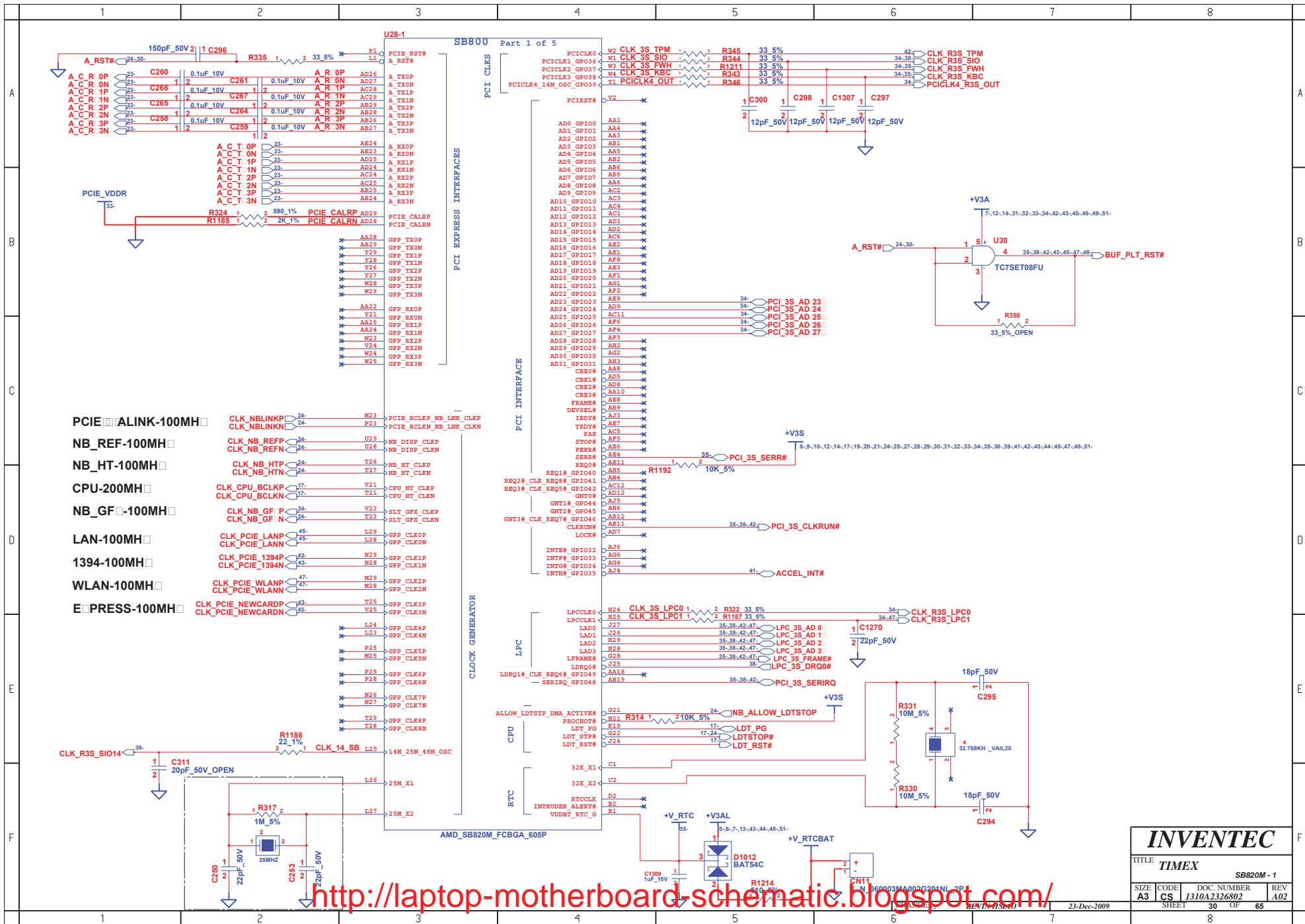
<b>INVENTEC</b>			
TITLE <b>TIMEX LCM CONN</b>			
SIZE <b>A3</b>	CODE <b>CS</b>	DOC. NUMBER <b>I310A2326802</b>	REV <b>A02</b>
SHEET <b>28</b>		OF <b>65</b>	



<http://laptop-motherboard-schematic.blogspot.com/>

<b>INVENTEC</b>			
TITLE: <b>TIMEX Display Port</b>			
SIZE	CODE	DOC. NUMBER	REV
A3	CS	I310A2326802	A02
SHEET		29	OF 65

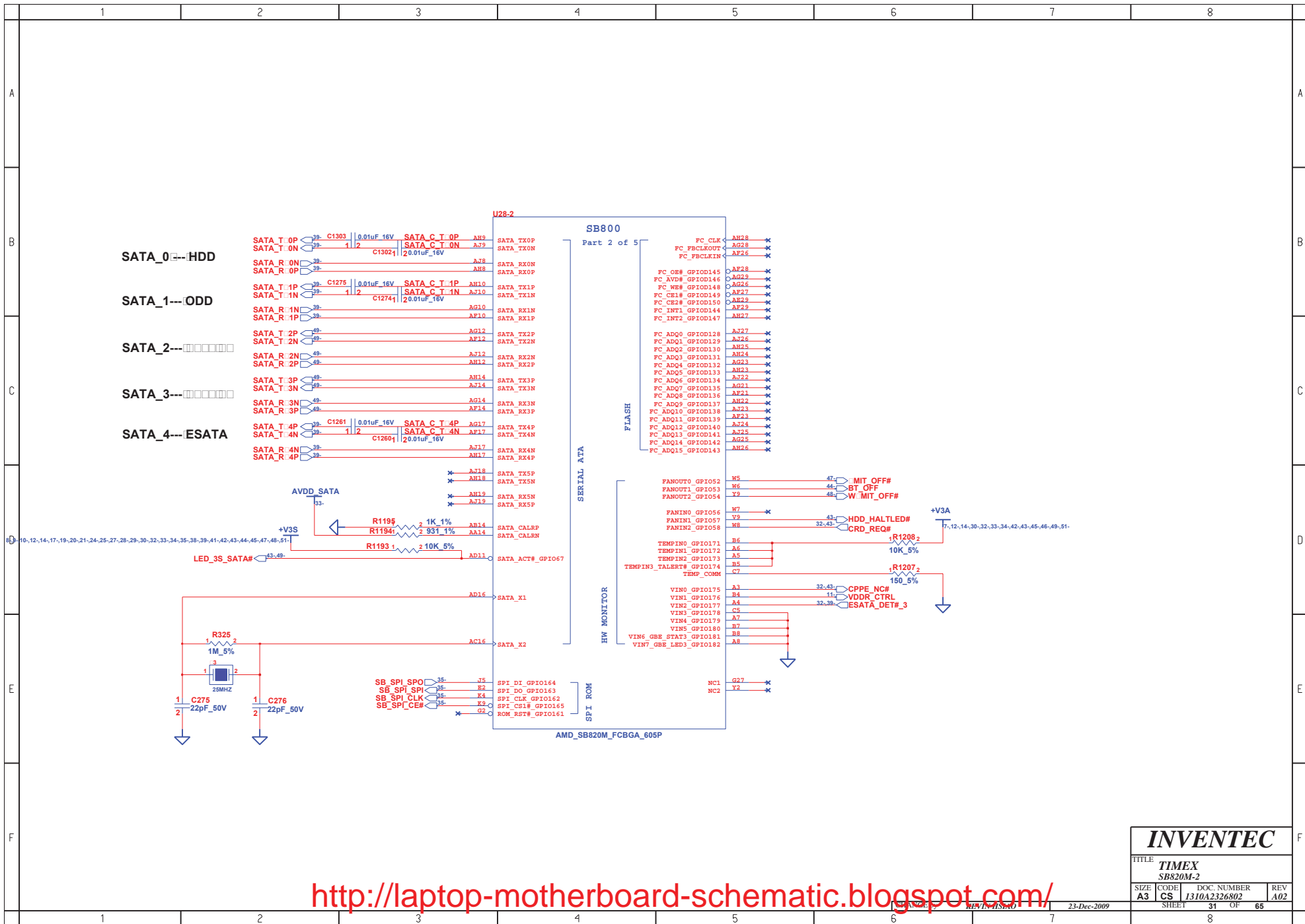
23-Dec-2009



<http://laptop-motherboard-schematic.blogspot.com/>

<b>INVENTEC</b>			
TITLE <b>TIMEX</b>			
SB820M - 1			
SIZE	CODE	DOC. NUMBER	REV
A3	CS	1310A2326802	A02
SHEET		30	OF 65

23-Dec-2009

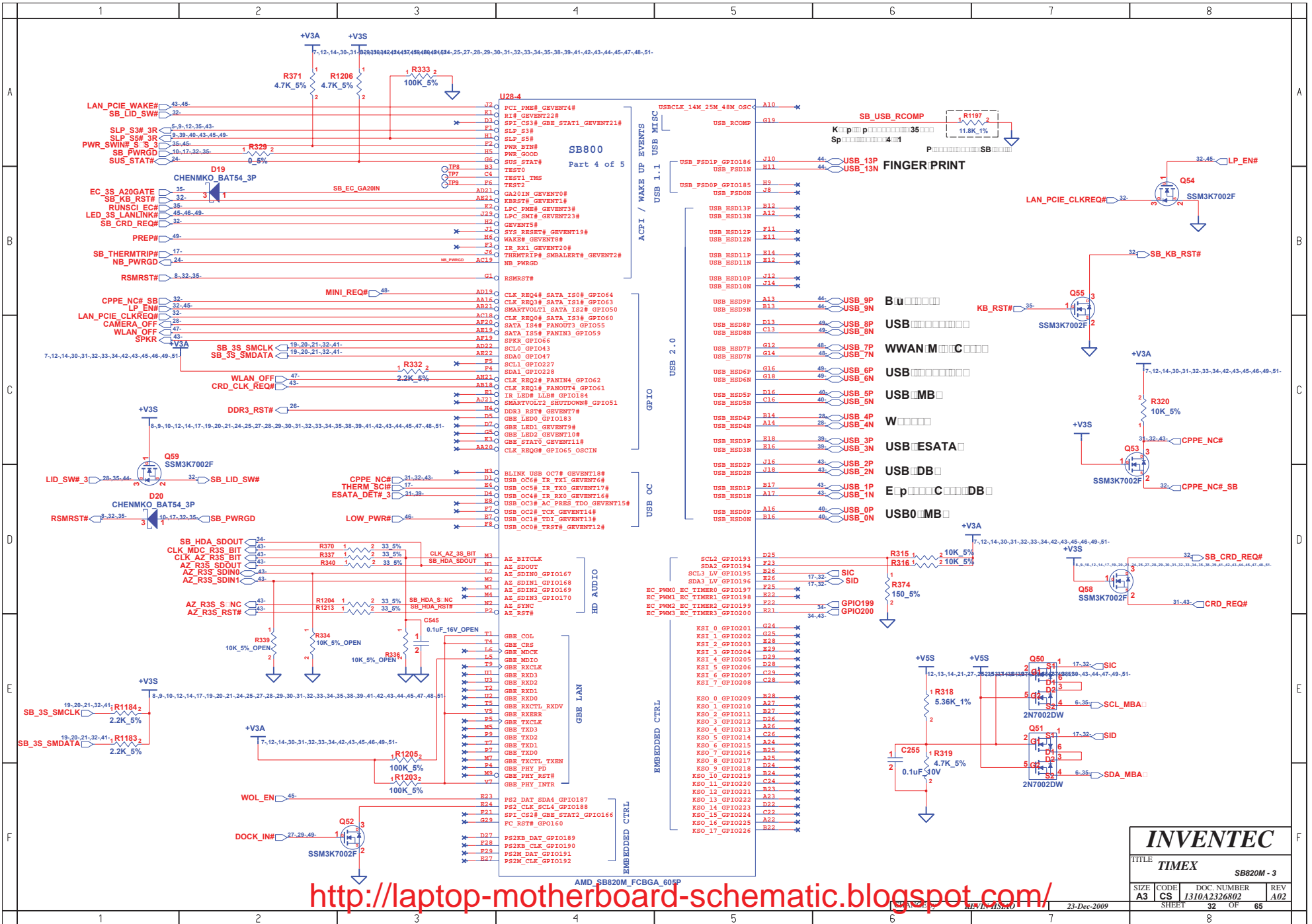


<http://laptop-motherboard-schematic.blogspot.com/>

**INVENTEC**

TITLE			
TIMEX			
SB820M-2			
SIZE	CODE	DOC. NUMBER	REV
A3	CS	I310A2326802	A02
SHEET		31	OF 65

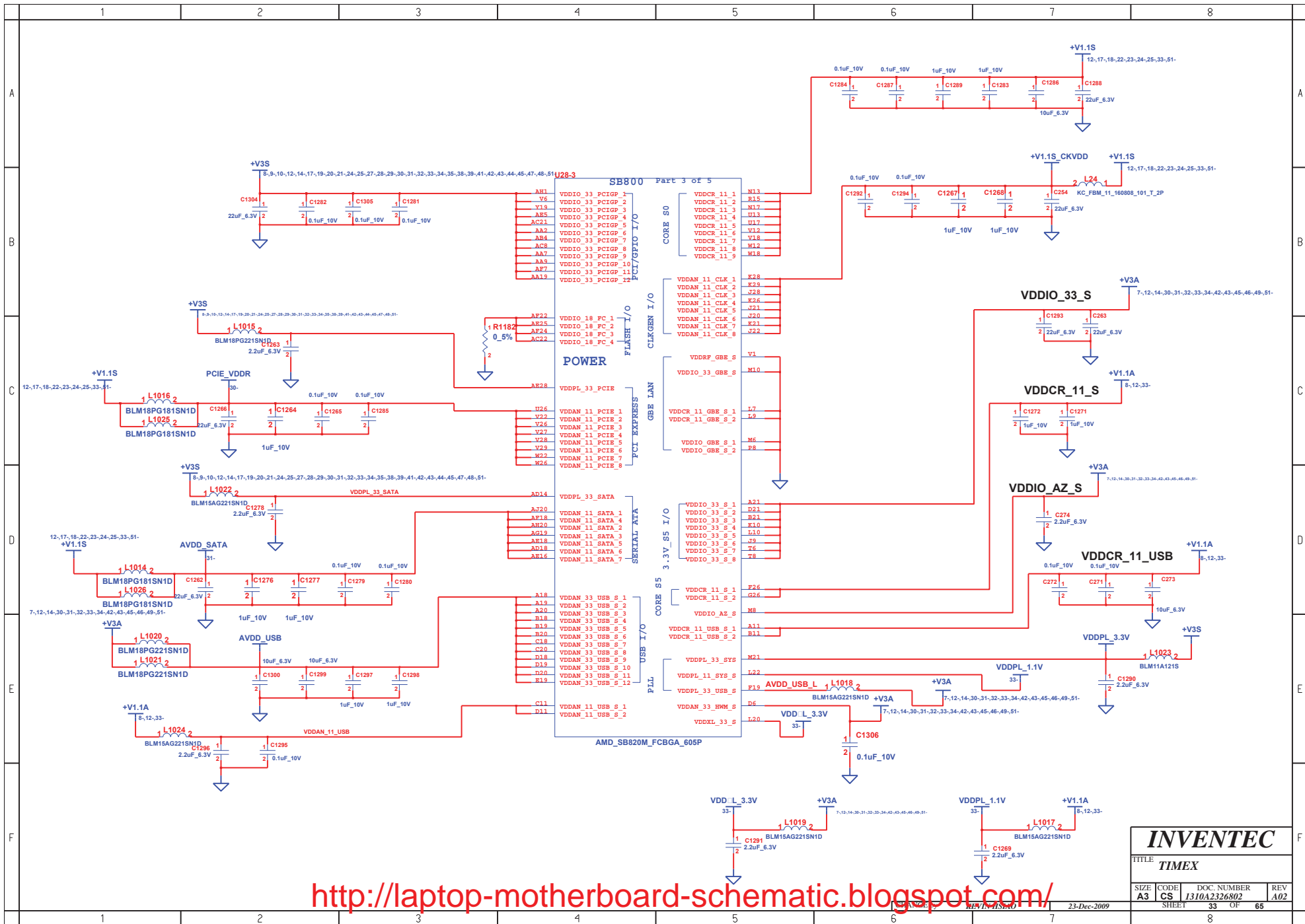
23-Dec-2009



<http://laptop-motherboard-schematic.blogspot.com/>

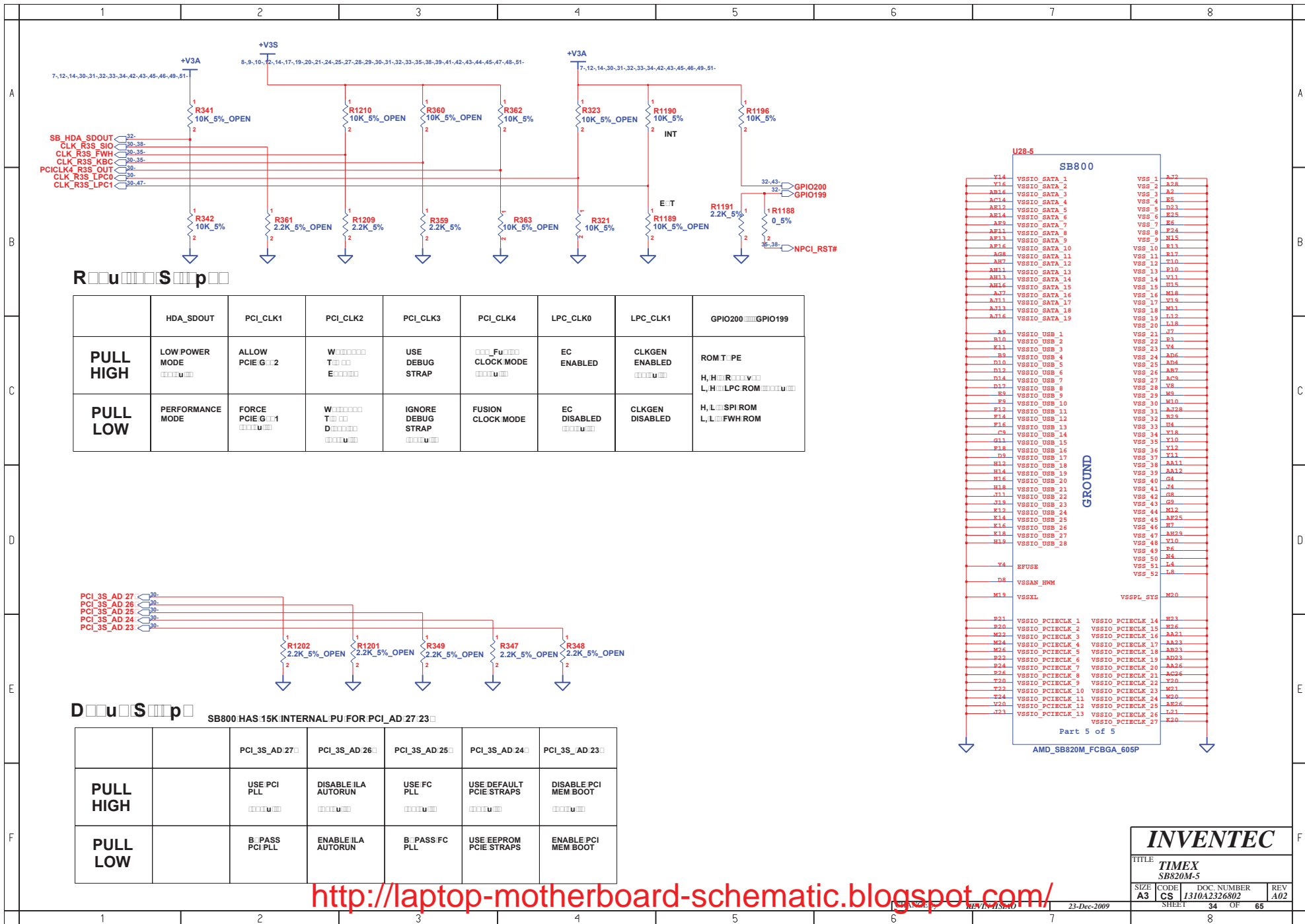
<b>INVENTEC</b>			
TITLE TIMEX		SB820M - 3	
SIZE A3	CODE CS	DOC. NUMBER 1310A2326802	REV A02
SHEET 32		OF 65	





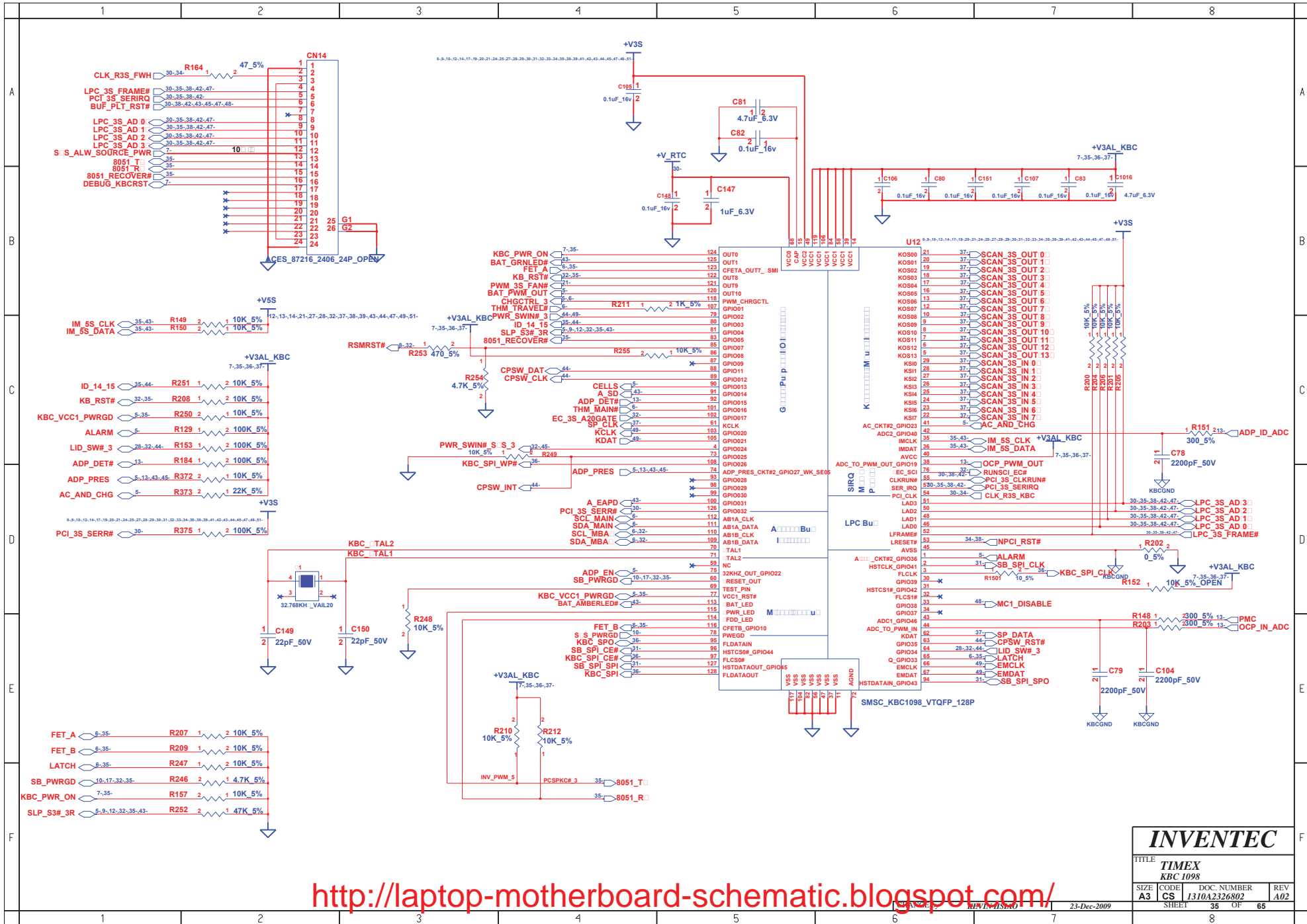
<http://laptop-motherboard-schematic.blogspot.com/>

<b>INVENTEC</b>			
TITLE <b>TIMEX</b>			
SIZE <b>A3</b>	CODE <b>CS</b>	DOC. NUMBER <b>I310A2326802</b>	REV <b>A02</b>
SHEET <b>33</b>		OF <b>65</b>	



<b>INVENTEC</b>			
TITLE <b>TIMEX</b> <b>SB820M-5</b>			
SIZE <b>A3</b>	CODE <b>CS</b>	DOC NUMBER <b>I310A2326802</b>	REV <b>A02</b>
SHEET <b>34</b>		OF <b>65</b>	

<http://laptop-motherboard-schematic.blogspot.com/>



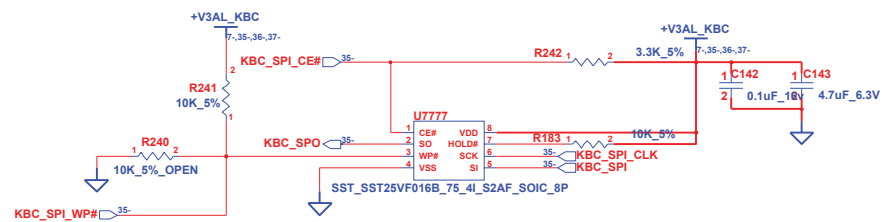
<http://laptop-motherboard-schematic.blogspot.com/>

**INVENTEC**

TITLE			
TIMEX KBC 1098			
SIZE	CODE	DOC. NUMBER	REV
A3	CS	I310A2326802	A02
SHEET			OF
35			65

23-Dec-2009

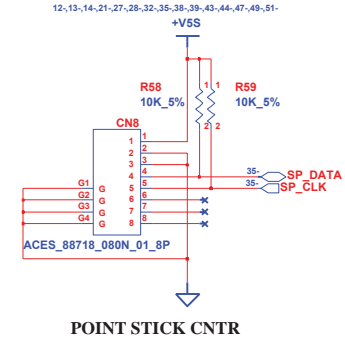
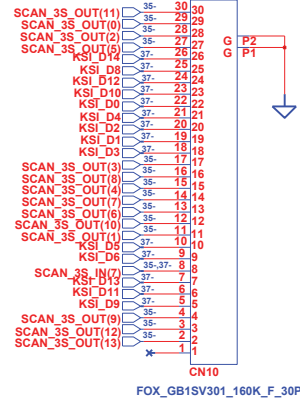
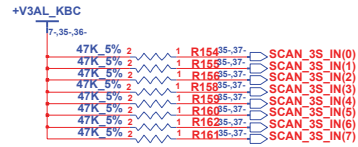
8



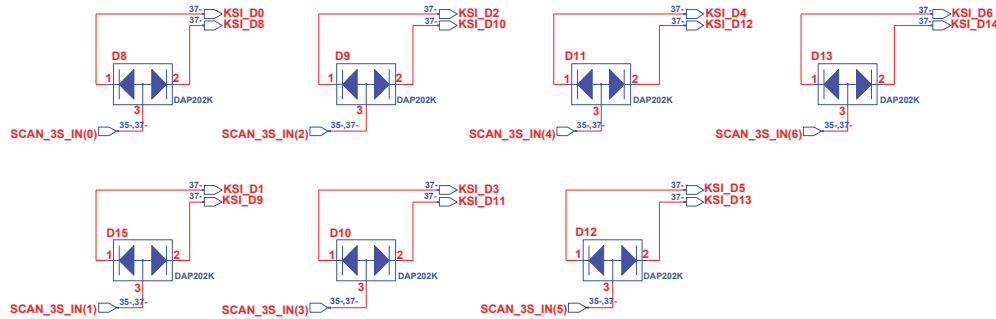
SPI [ ] [ ] [ ] [ ]

<http://laptop-motherboard-schematic.blogspot.com/>

<b>INVENTEC</b>			
TITLE <b>TIMEX</b> <b>SPI</b>			
SIZE <b>A3</b>	CODE <b>CS</b>	DOC. NUMBER <b>1310A2326802</b>	REV <b>A02</b>
SHEET <b>36</b>		OF <b>65</b>	

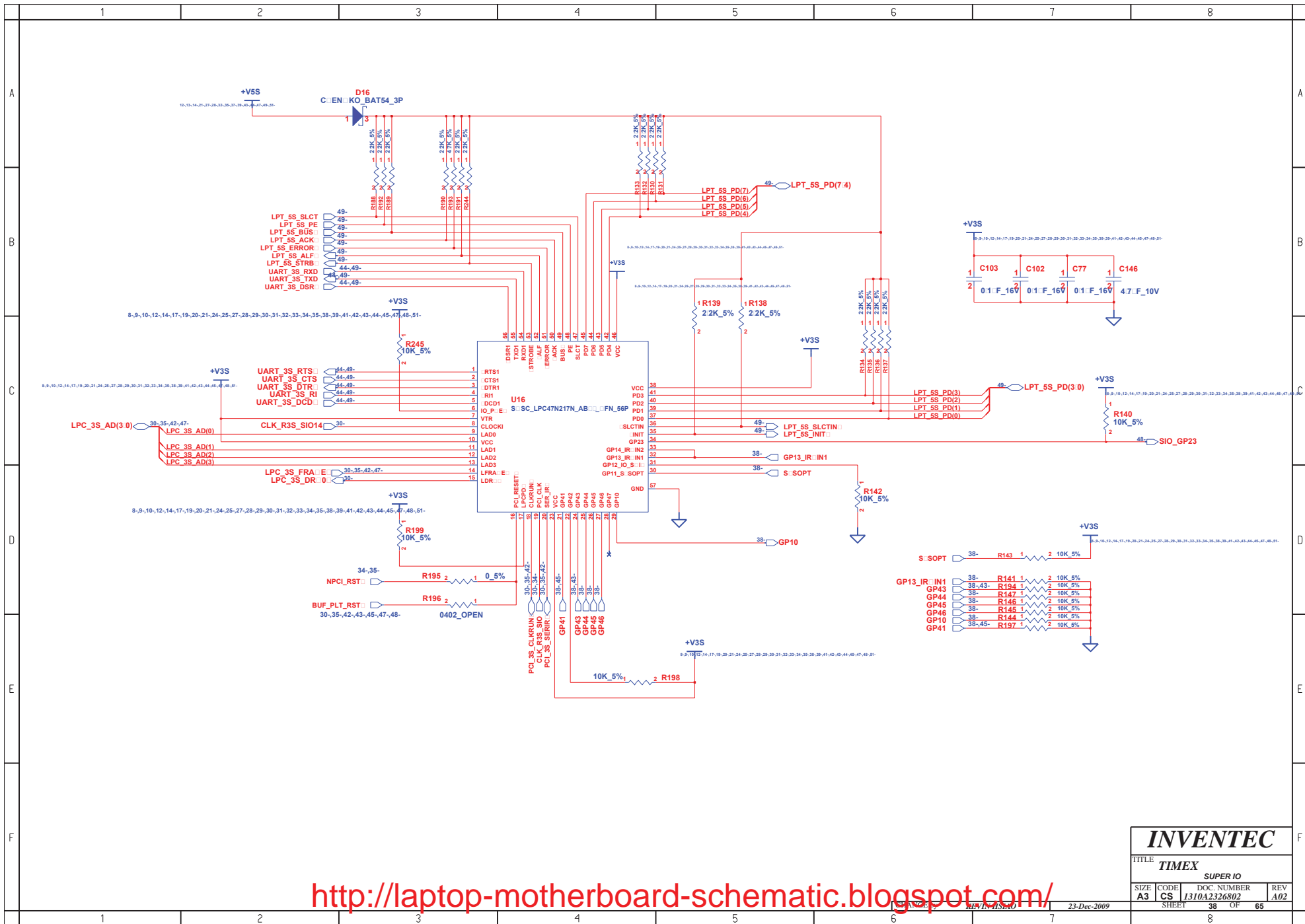


## KeyBoard CONN (30 pin)



<http://laptop-motherboard-schematic.blogspot.com/>

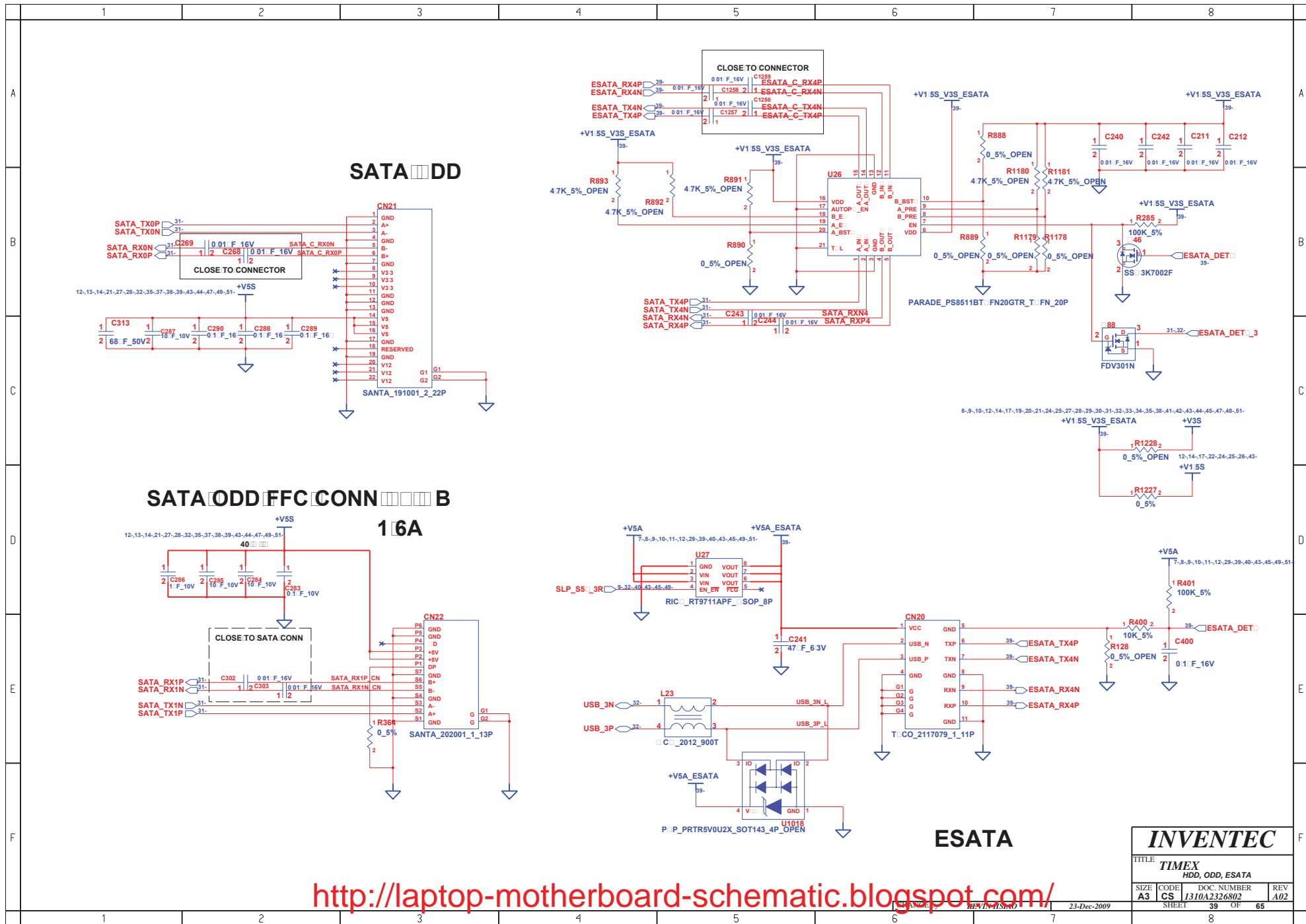
<b>INVENTEC</b>			
TITLE <b>TIMEX</b> KEYBOARD , Pointstick			
SIZE <b>A3</b>	CODE <b>CS</b>	DOC. NUMBER <b>I310A2326802</b>	REV <b>A02</b>
SHEET <b>37</b>		OF <b>65</b>	



<http://laptop-motherboard-schematic.blogspot.com/>

<b>INVENTEC</b>			
TITLE: <b>TIMEX</b>			
SUPER IO			
SIZE	CODE	DOC. NUMBER	REV
A3	CS	I310A2326802	A02
SHEET		38	OF 65

23-Dec-2009



**SATA191001\_2\_22P**

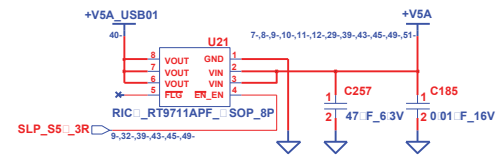
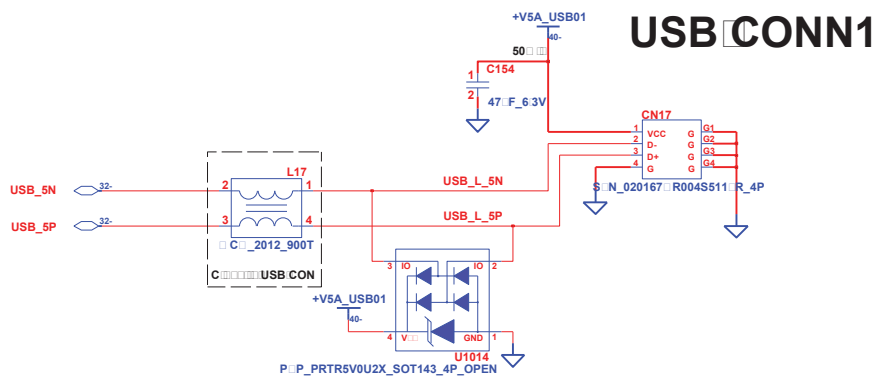
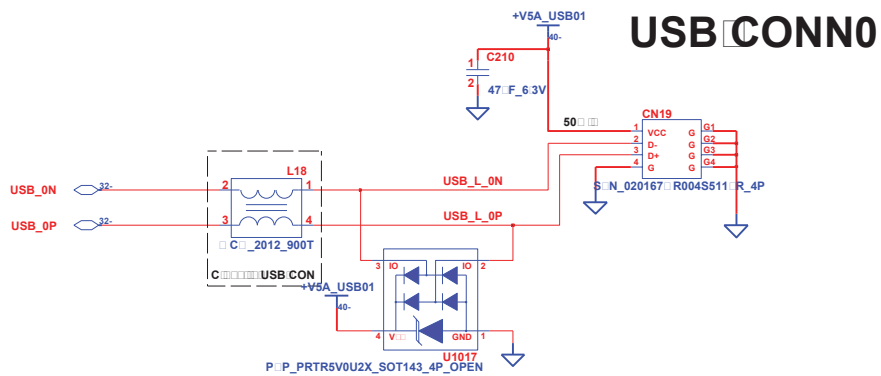
**SATA191001\_2\_22P**

**ESATA**

<http://laptop-motherboard-schematic.blogspot.com/>

<b>INVENTEC</b>			
TITLE: <b>TIMEX HDD, ODD, ESATA</b>			
SIZE: <b>A3</b>	CODE: <b>CS</b>	DOC. NUMBER: <b>I310A2326802</b>	REV: <b>A02</b>
SHEET: <b>39</b>		OF: <b>65</b>	

23-Dec-2009

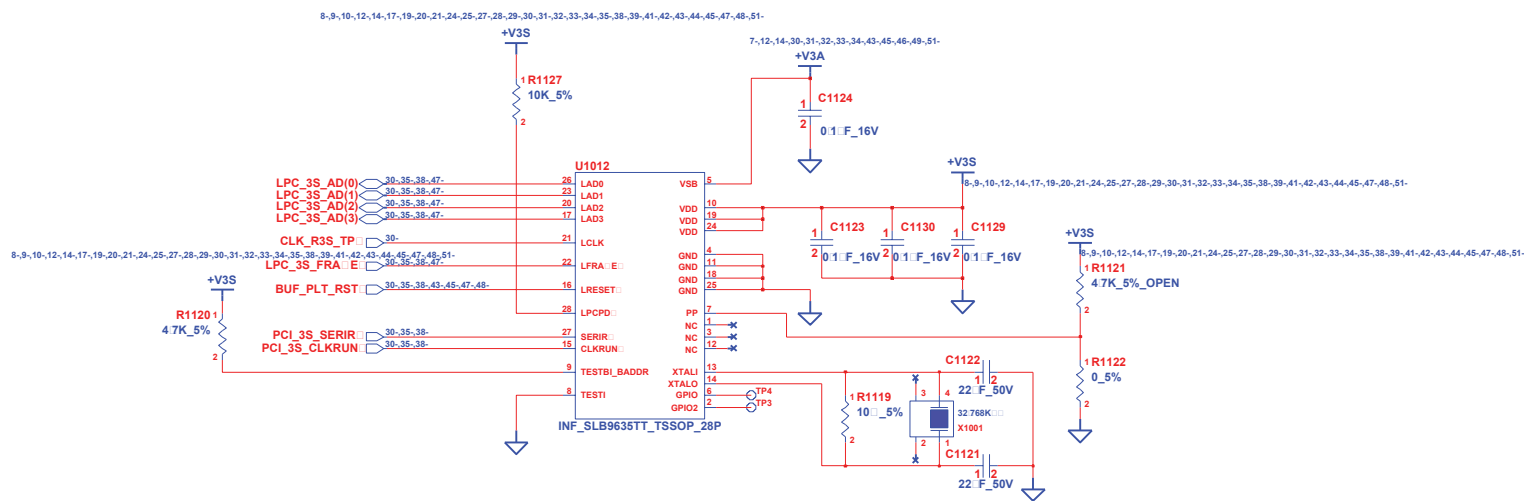


<http://laptop-motherboard-schematic.blogspot.com/>

<b>INVENTEC</b>			
TITLE <b>TIMEX</b> USB CONN			
SIZE <b>A3</b>	CODE <b>CS</b>	DOC. NUMBER <b>I310A2326802</b>	REV <b>A02</b>
SHEET		40	OF 65







TPM [V12]

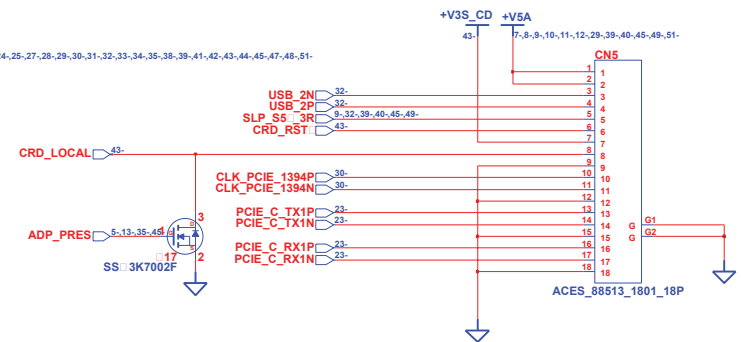
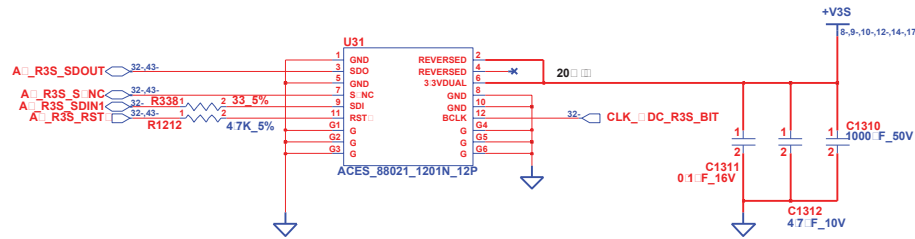
<http://laptop-motherboard-schematic.blogspot.com/>

<b>INVENTEC</b>			
TITLE <b>TIMEX TPM</b>			
SIZE <b>A3</b>	CODE <b>CS</b>	DOC. NUMBER <b>I310A2326802</b>	REV <b>A02</b>
SHEET <b>42</b>		OF <b>65</b>	

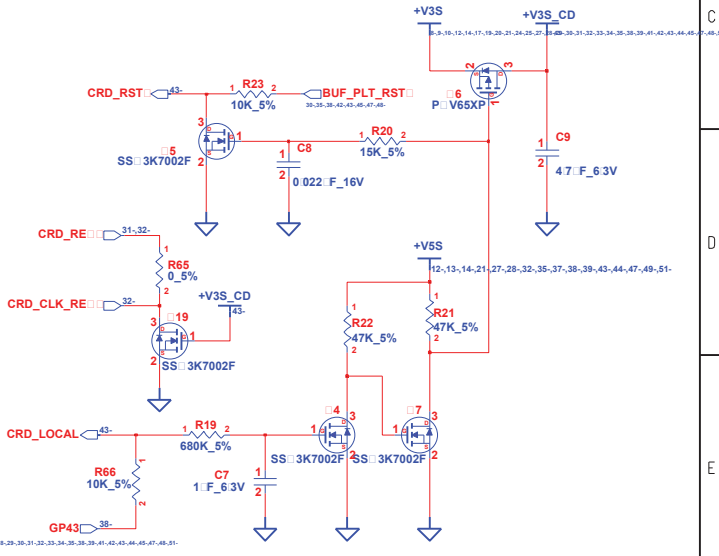
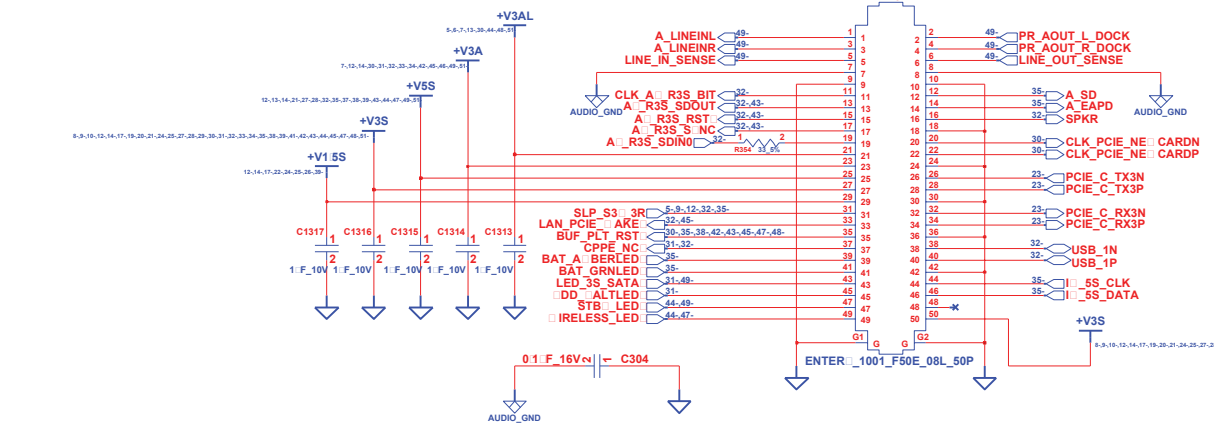
23-Dec-2009

DC ODE

7 IN 1 B SIDE



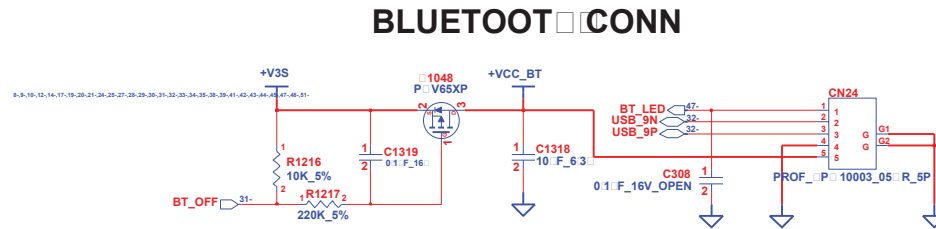
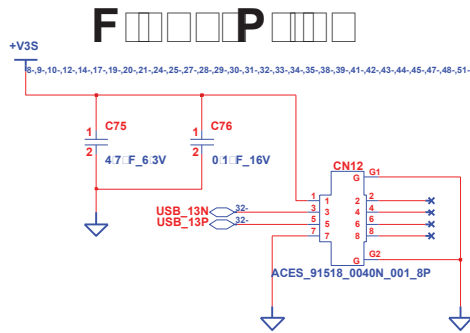
EXPRESS CARD



B2B C

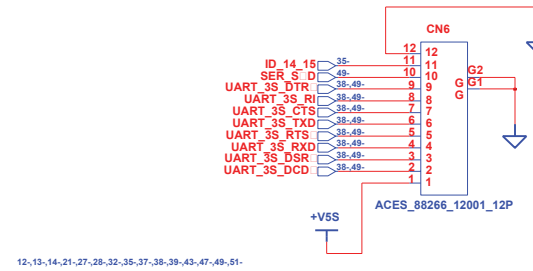
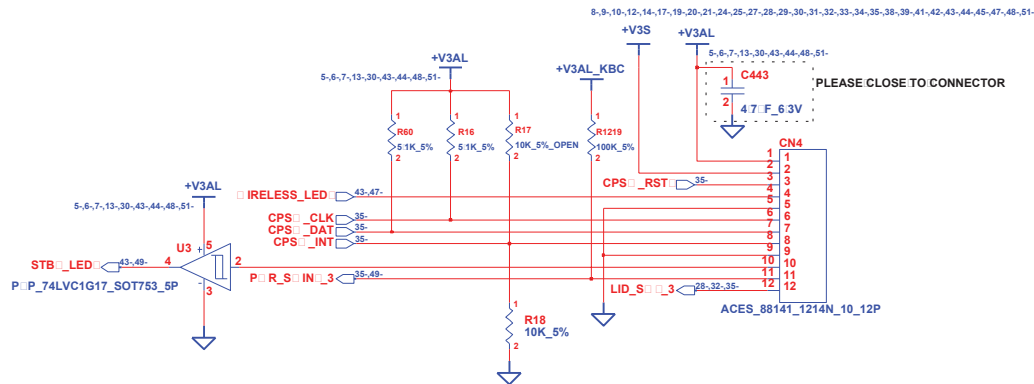
<http://laptop-motherboard-schematic.blogspot.com/>

<b>INVENTEC</b>			
TITLE: <b>TIMEX</b>			
B2B Connectors			
SIZE: <b>A3</b>	CODE: <b>CS</b>	DOC. NUMBER: <b>1310A2326802</b>	REV: <b>A02</b>
SHEET: <b>43</b>		OF: <b>65</b>	



### S ITC BOARD

### SERIAL PORT CONN



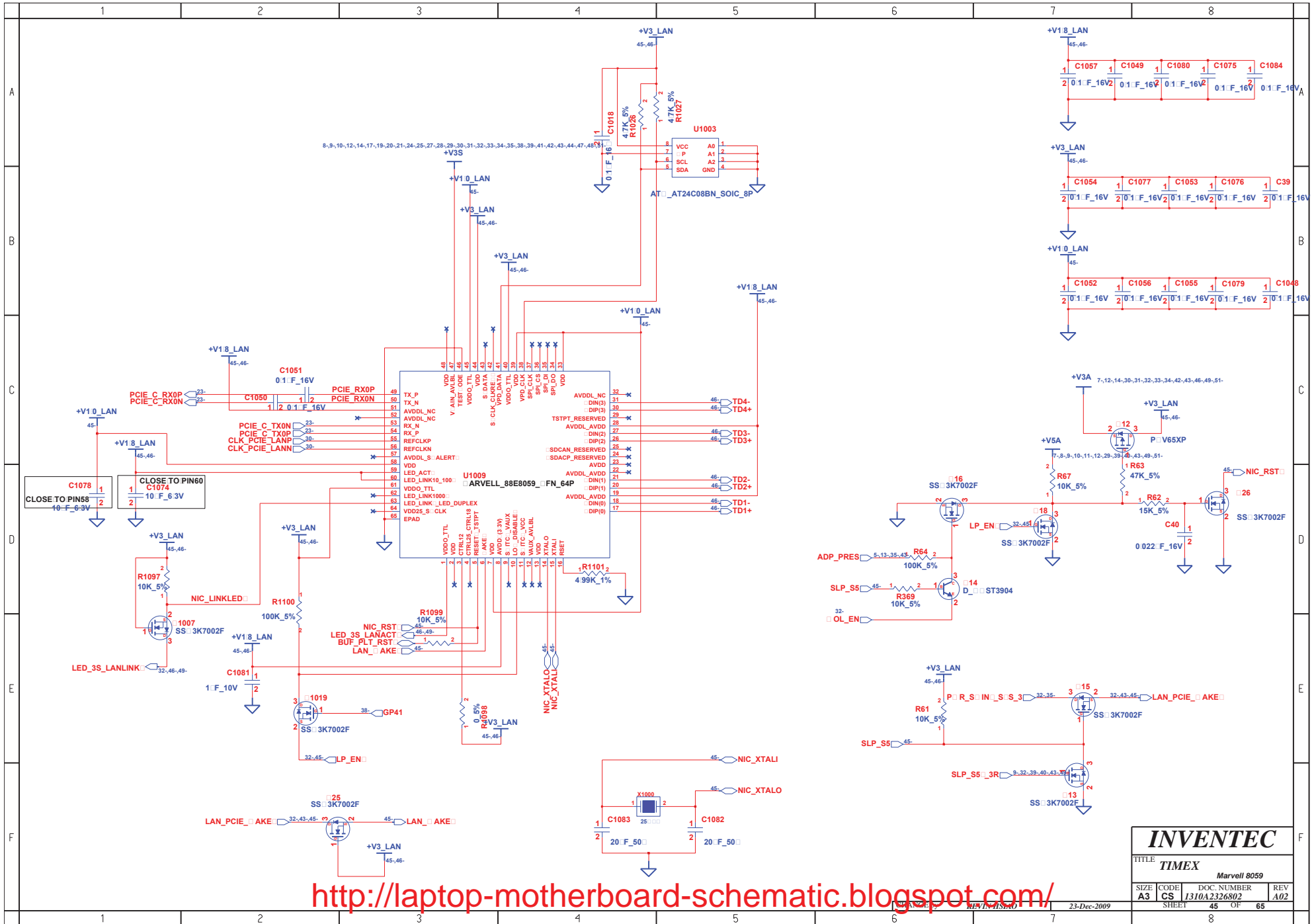
**2B C**

<http://laptop-motherboard-schematic.blogspot.com/>

**INVENTEC**

TITLE <b>TIMEX</b>			
W2B Connectors			
SIZE <b>A3</b>	CODE <b>CS</b>	DOC NUMBER <b>I310A2326802</b>	REV <b>A02</b>
SHEET <b>44</b>		OF <b>65</b>	

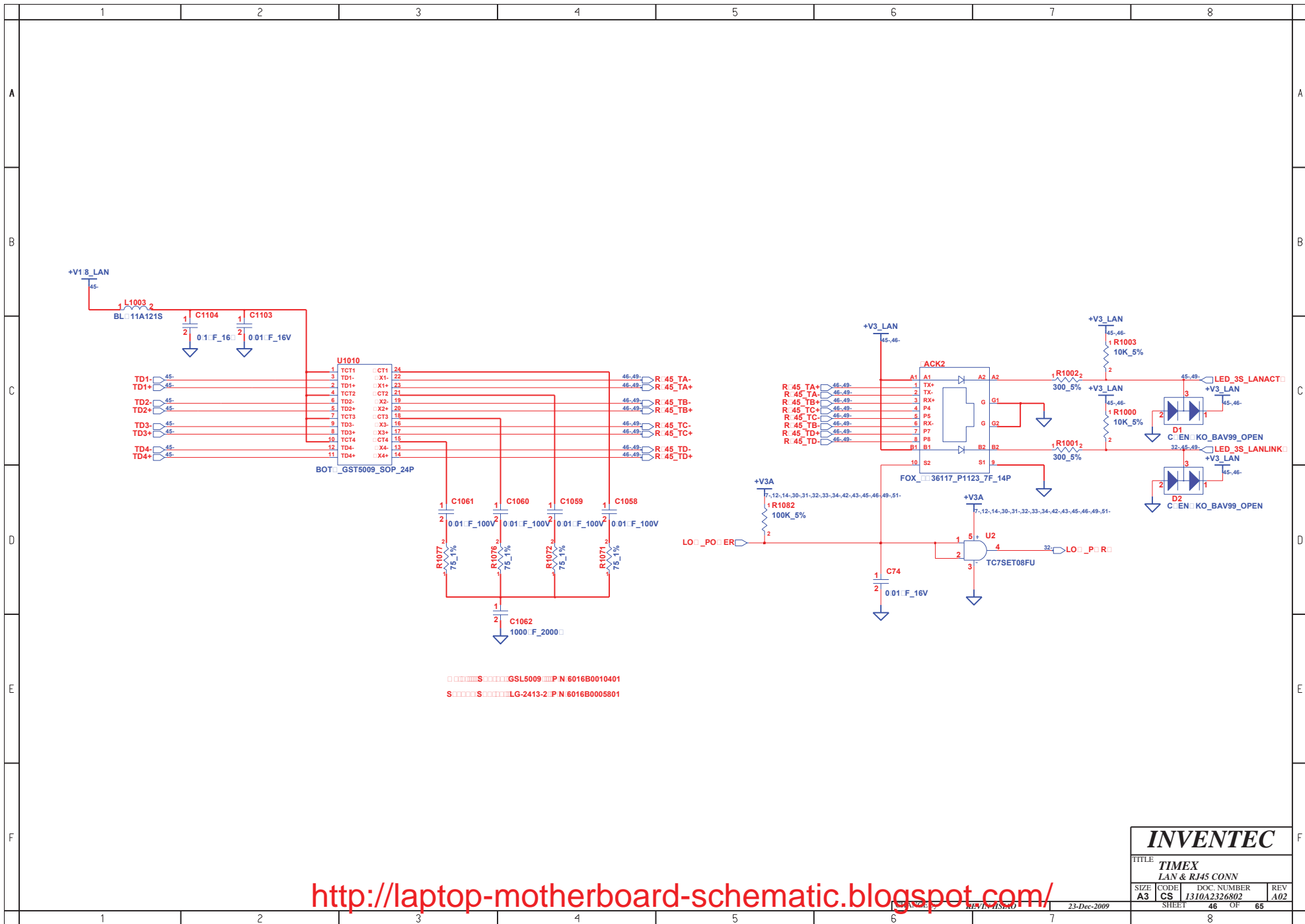
23-Dec-2009



<http://laptop-motherboard-schematic.blogspot.com/>

<b>INVENTEC</b>				
TITLE: <b>TIMEX</b>				
Marvell 8059				
SIZE	CODE	DOC. NUMBER	REV	
A3	CS	I310A2326802	A02	
SHEET			45 OF 65	

23-Dec-2009

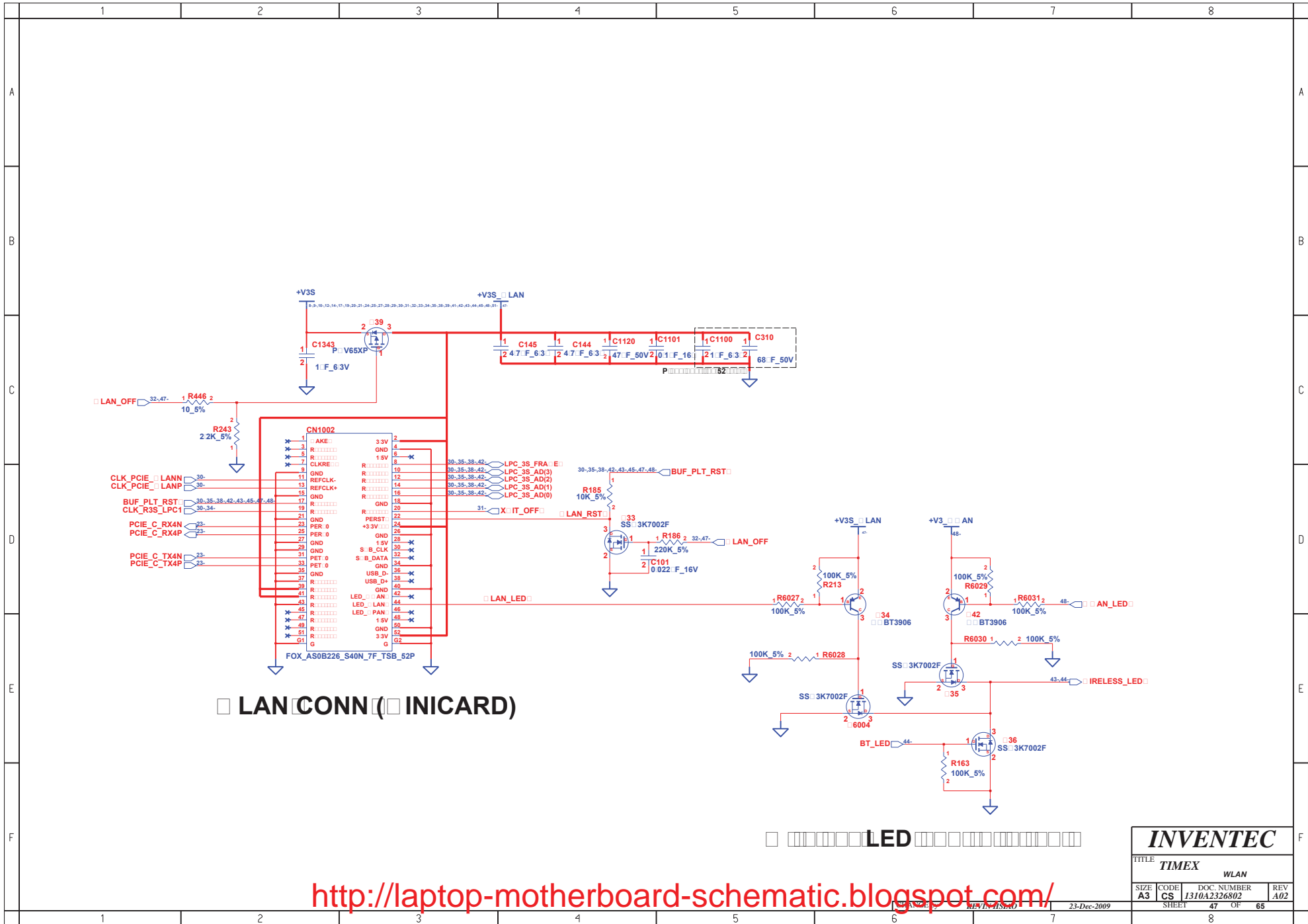


□ □ □ □ □ S □ □ □ □ □ GSL5009 □ □ □ P N 6016B0010401  
 S □ □ □ □ □ S □ □ □ □ □ LG-2413-2 P N 6016B0005801

<http://laptop-motherboard-schematic.blogspot.com/>

<b>INVENTEC</b>			
TITLE <b>TIMEX</b> LAN & RJ45 CONN			
SIZE <b>A3</b>	CODE <b>CS</b>	DOC. NUMBER <b>I310A2326802</b>	REV <b>A02</b>
SHEET <b>46</b>		OF <b>65</b>	

23-Dec-2009



LAN CONN (INICARD)

LED

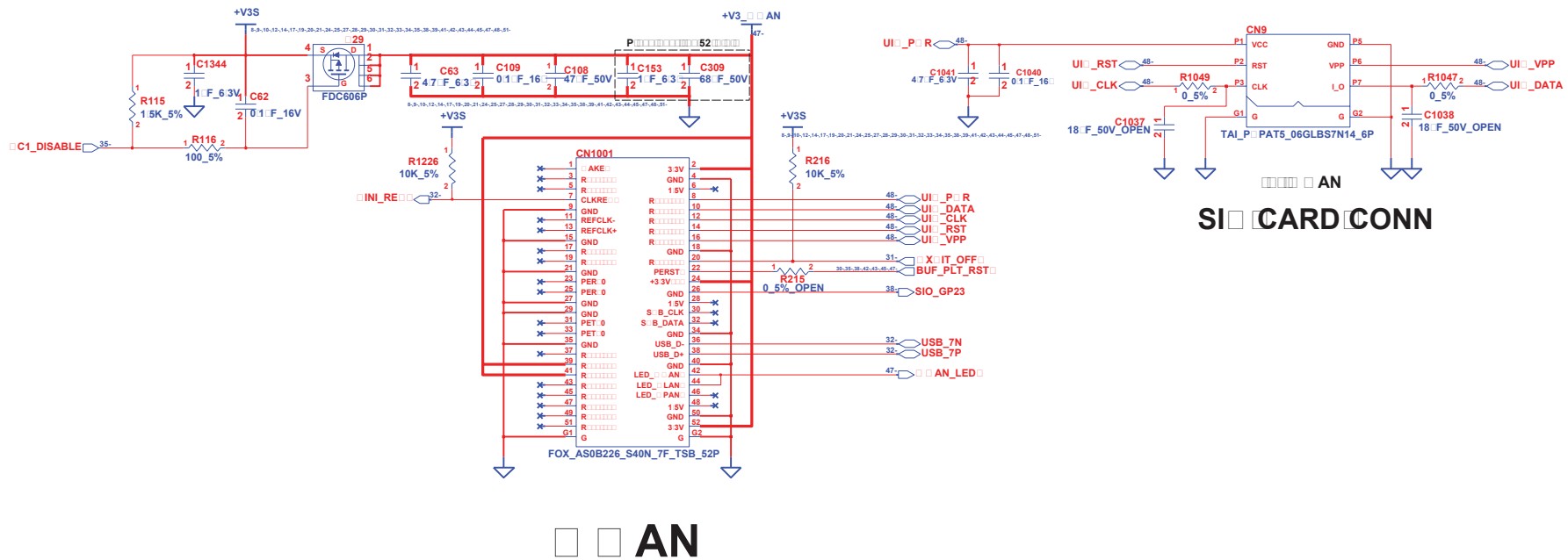
<http://laptop-motherboard-schematic.blogspot.com/>

**INVENTEC**

TITLE		TIMEX WLAN	
SIZE	CODE	DOC. NUMBER	REV
A3	CS	I310A2326802	A02
SHEET		47 OF 65	

23-Dec-2009

# OPTION PART



SI CARD CONN

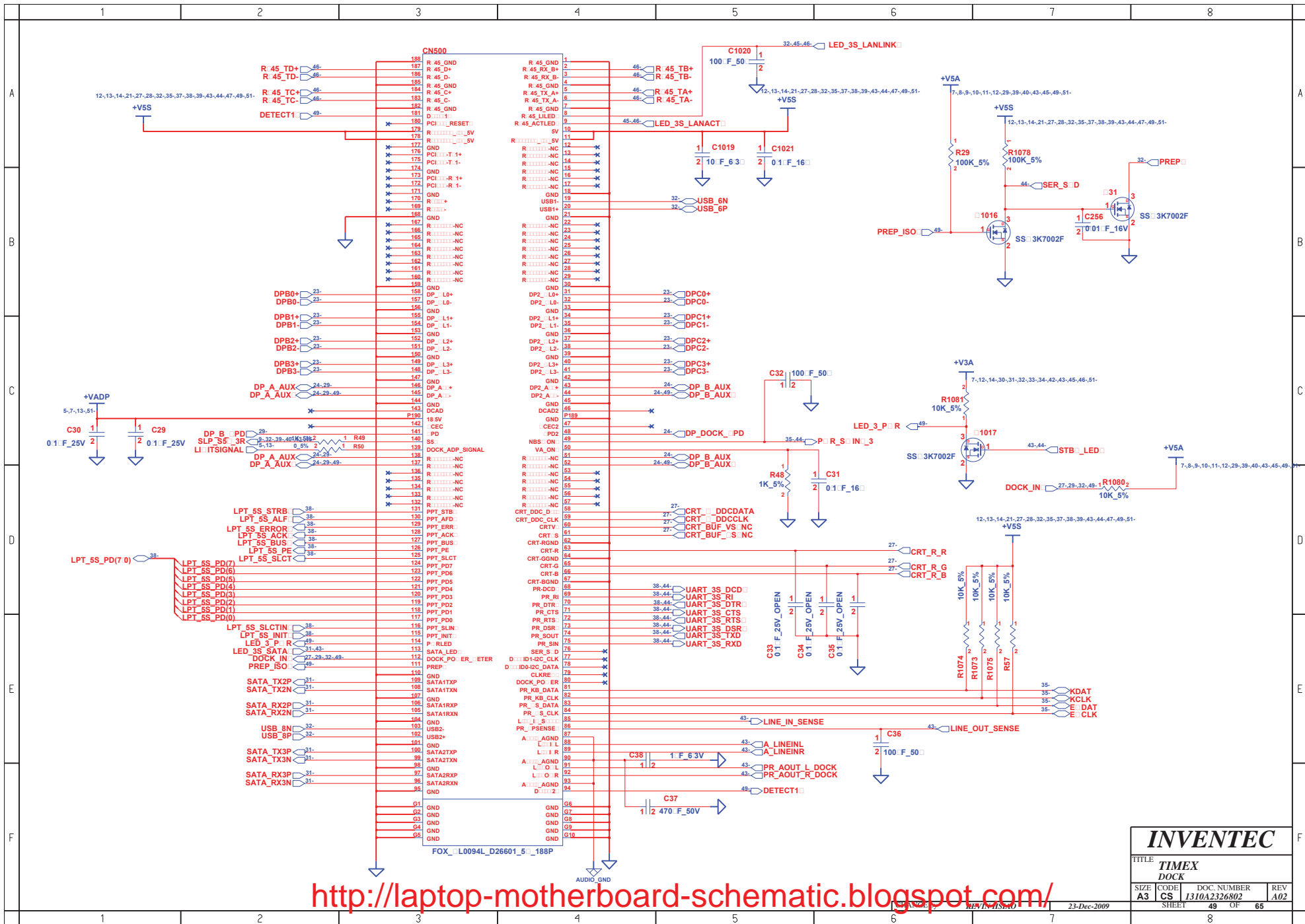
AN

<http://laptop-motherboard-schematic.blogspot.com/>

<b>INVENTEC</b>			
TITLE <b>TIMEX</b> WWAN & SIM CARD CONN			
SIZE <b>A3</b>	CODE <b>CS</b>	DOC. NUMBER <b>I310A2326802</b>	REV <b>A02</b>
SHEET		48	OF 65

23-Dec-2009

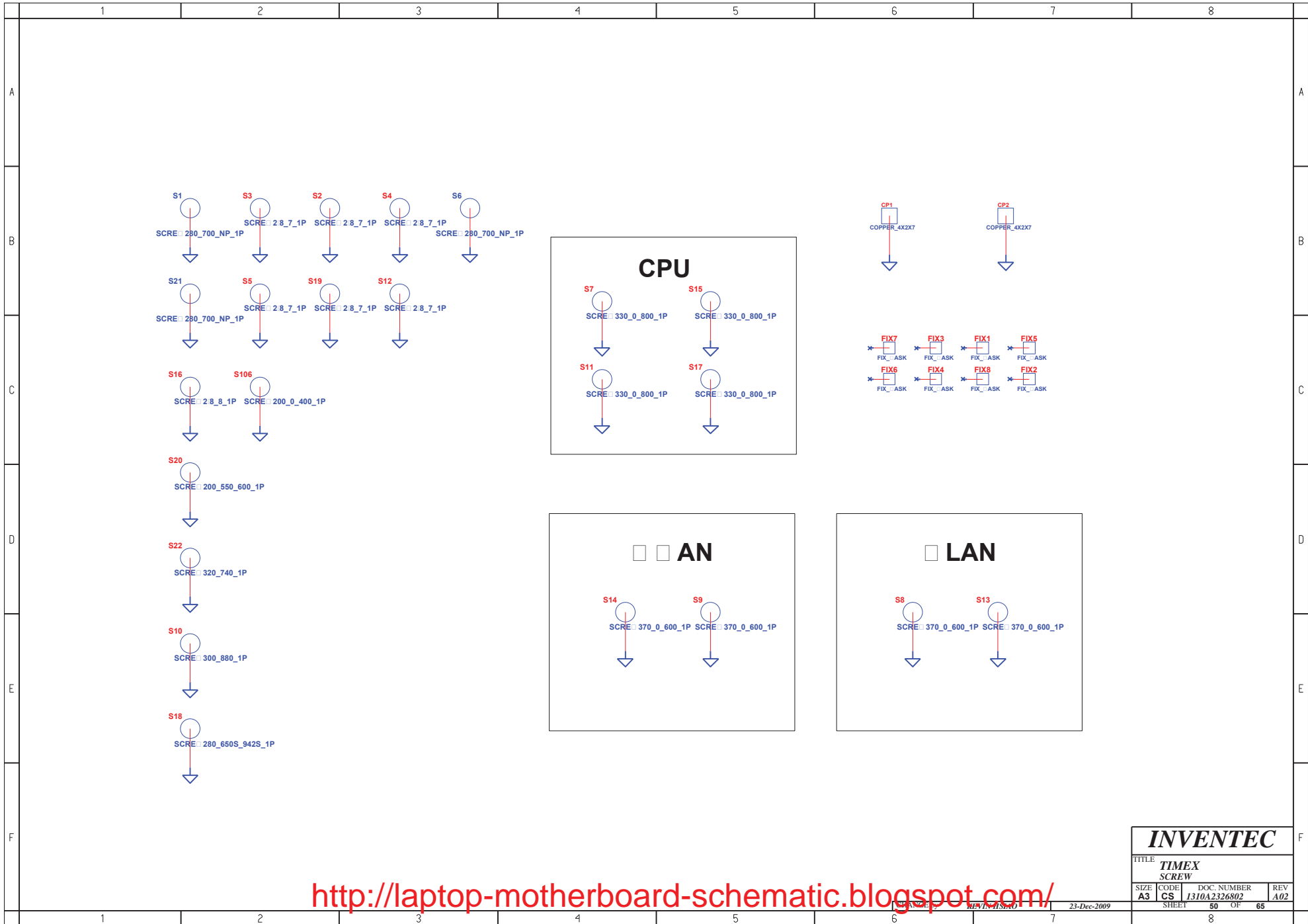




<http://laptop-motherboard-schematic.blogspot.com/>

<b>INVENTEC</b>			
TITLE <b>TIMEX DOCK</b>			
SIZE <b>A3</b>	CODE <b>CS</b>	DOC. NUMBER <b>1310A2326802</b>	REV <b>A02</b>
SHEET <b>49</b>		OF <b>65</b>	

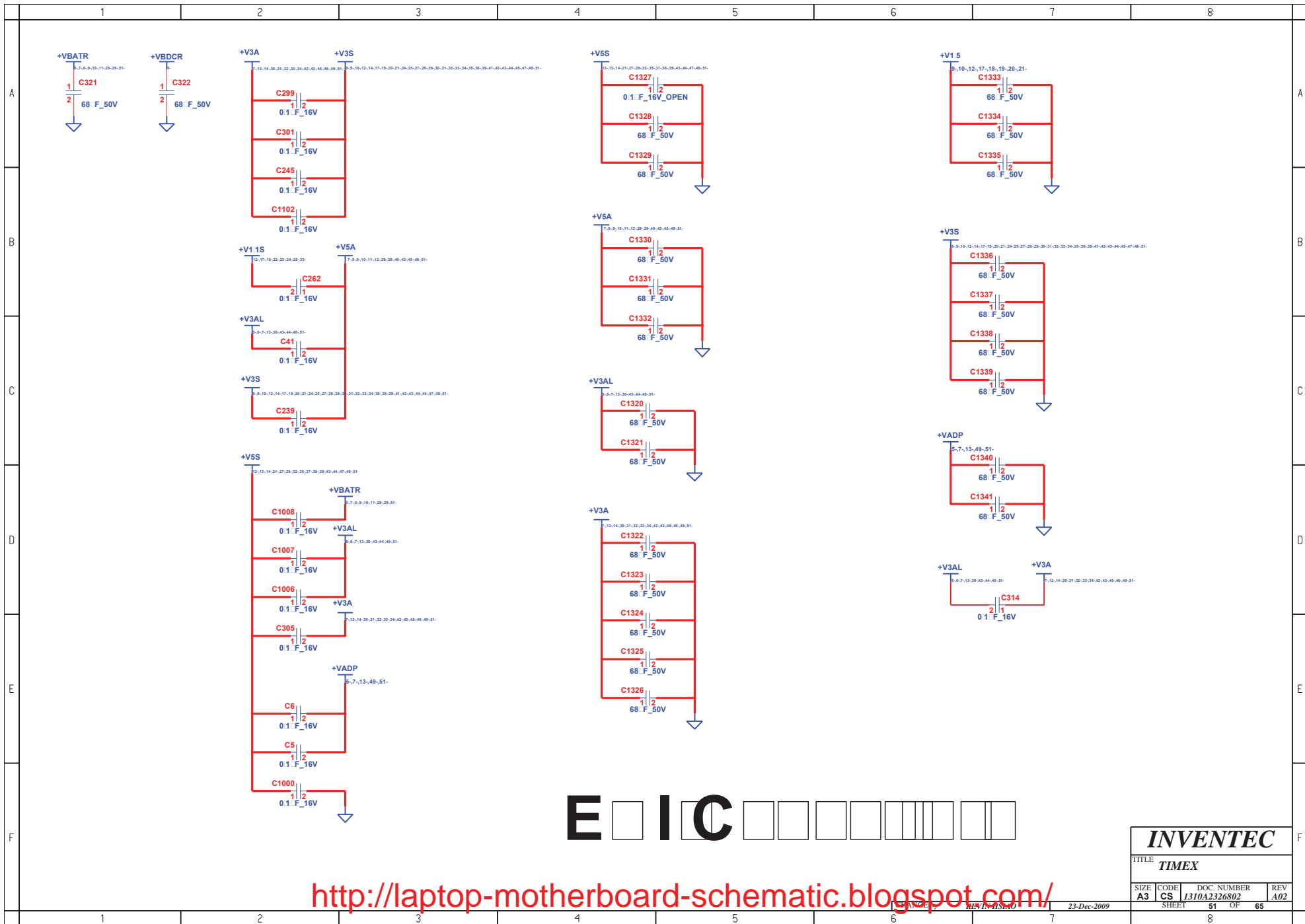
23-Dec-2009



<http://laptop-motherboard-schematic.blogspot.com/>

<b>INVENTEC</b>			
TITLE <b>TIMEX SCREW</b>			
SIZE <b>A3</b>	CODE <b>CS</b>	DOC. NUMBER <b>I310A2326802</b>	REV <b>A02</b>
SHEET		50	OF 65

23-Dec-2009

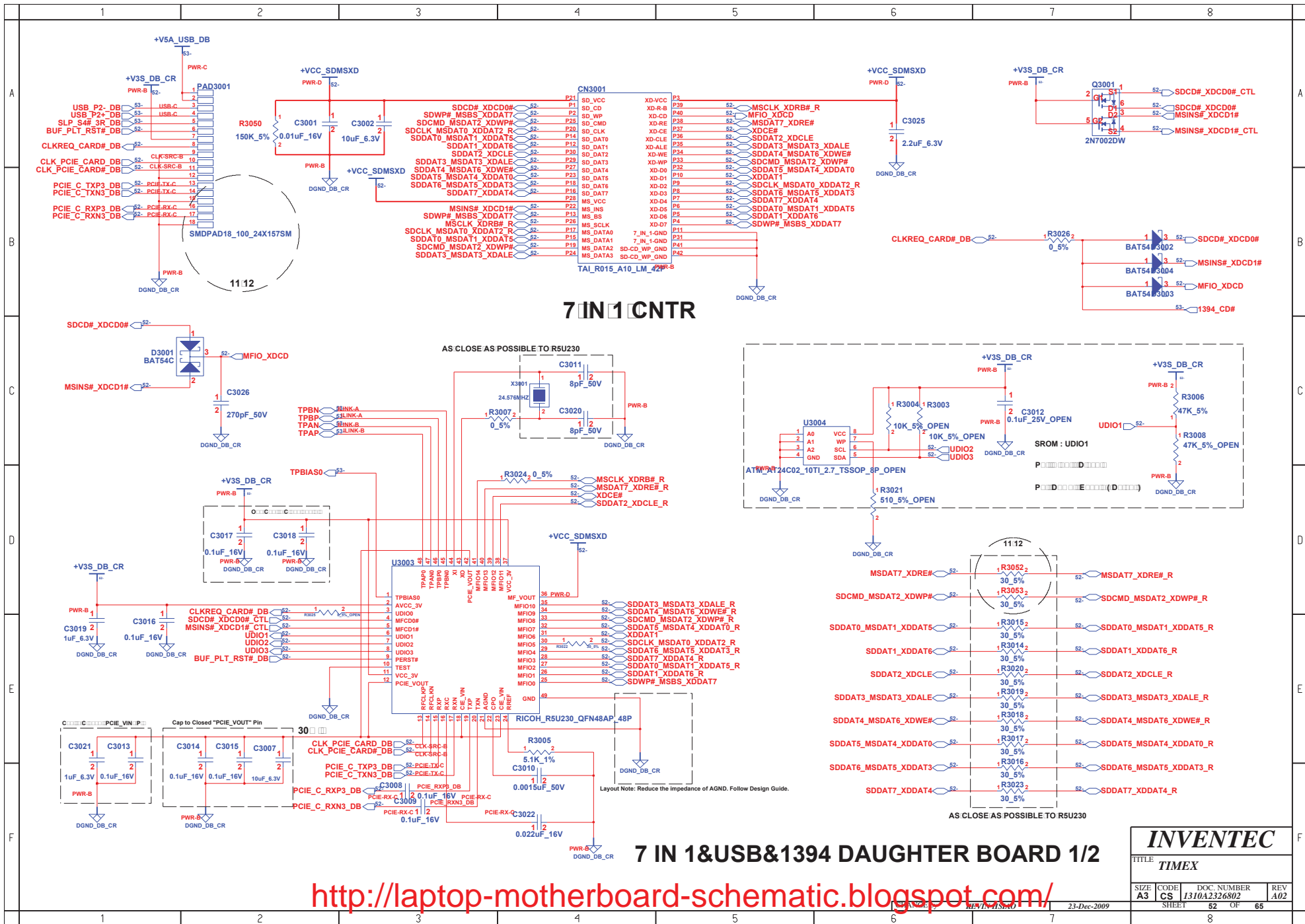


E I C

<http://laptop-motherboard-schematic.blogspot.com/>

<b>INVENTEC</b>			
TITLE <b>TIMEX</b>			
SIZE <b>A3</b>	CODE <b>CS</b>	DOC. NUMBER <b>I310A2326802</b>	REV <b>A02</b>
SHEET <b>51</b>		OF <b>65</b>	

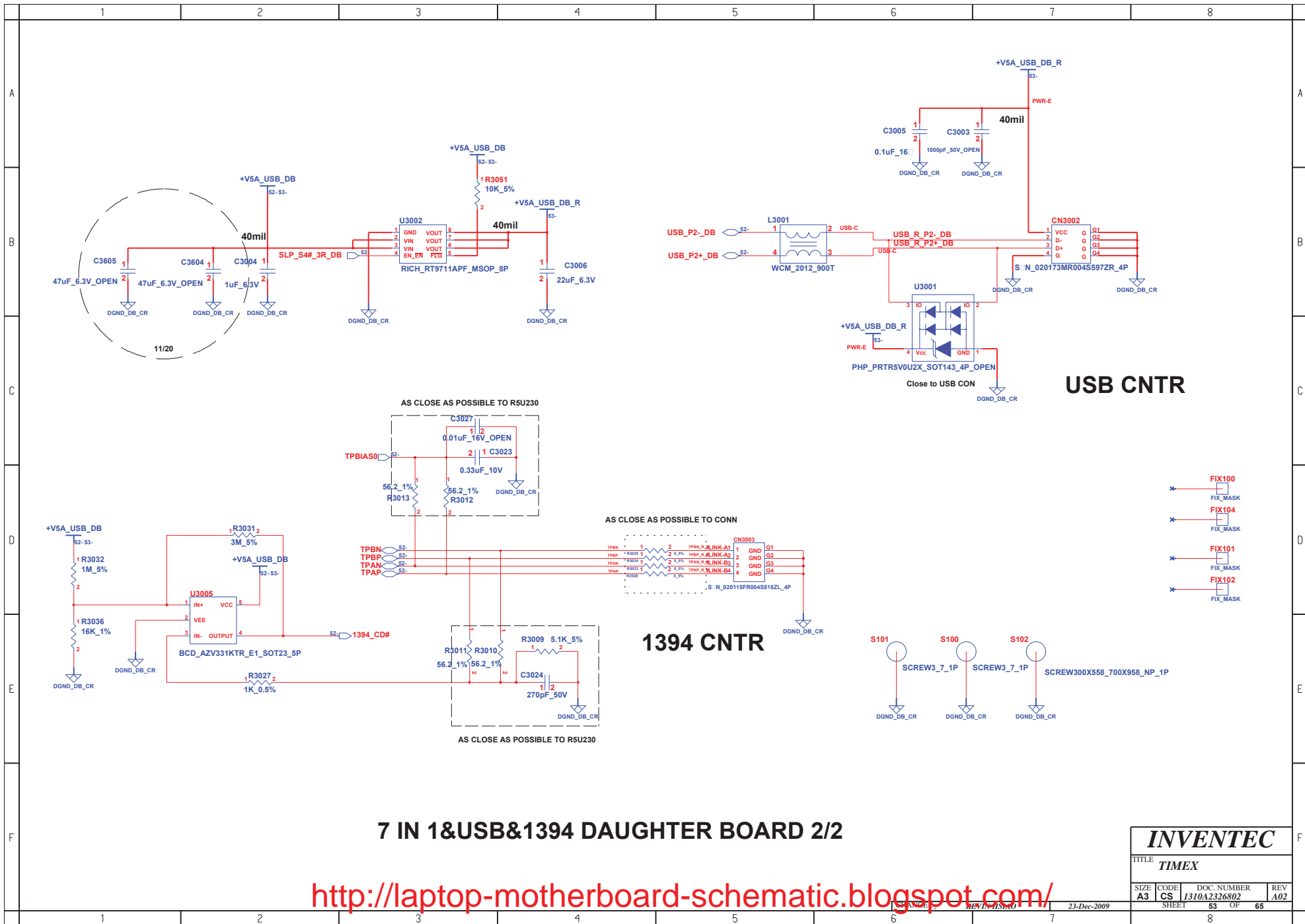
23-Dec-2009



**7 IN 1&USB&1394 DAUGHTER BOARD 1/2**

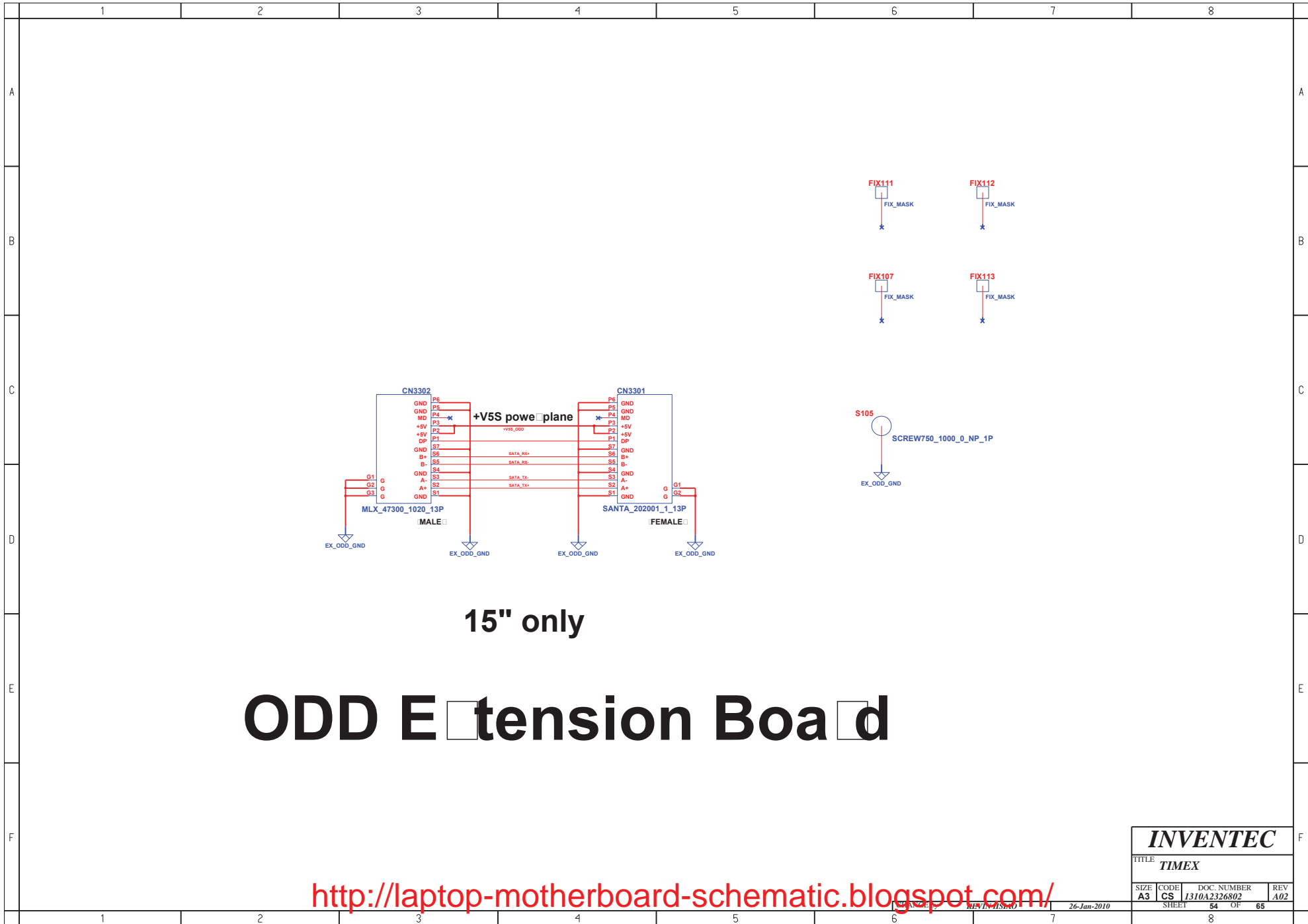
<http://laptop-motherboard-schematic.blogspot.com/>

<b>INVENTEC</b>			
TITLE: <b>TIMEX</b>			
SIZE: <b>A3</b>	CODE: <b>CS</b>	DOC NUMBER: <b>J310A2326802</b>	REV: <b>A02</b>
SHEET: <b>52</b>		OF: <b>65</b>	



<b>INVENTEC</b>			
TITLE TIMEX			
SIZE A3	CODE CS	DOC NUMBER 1310A2326802	REV A02
SHEET 53		OF 65	

23-Dec-2009



<http://laptop-motherboard-schematic.blogspot.com/>

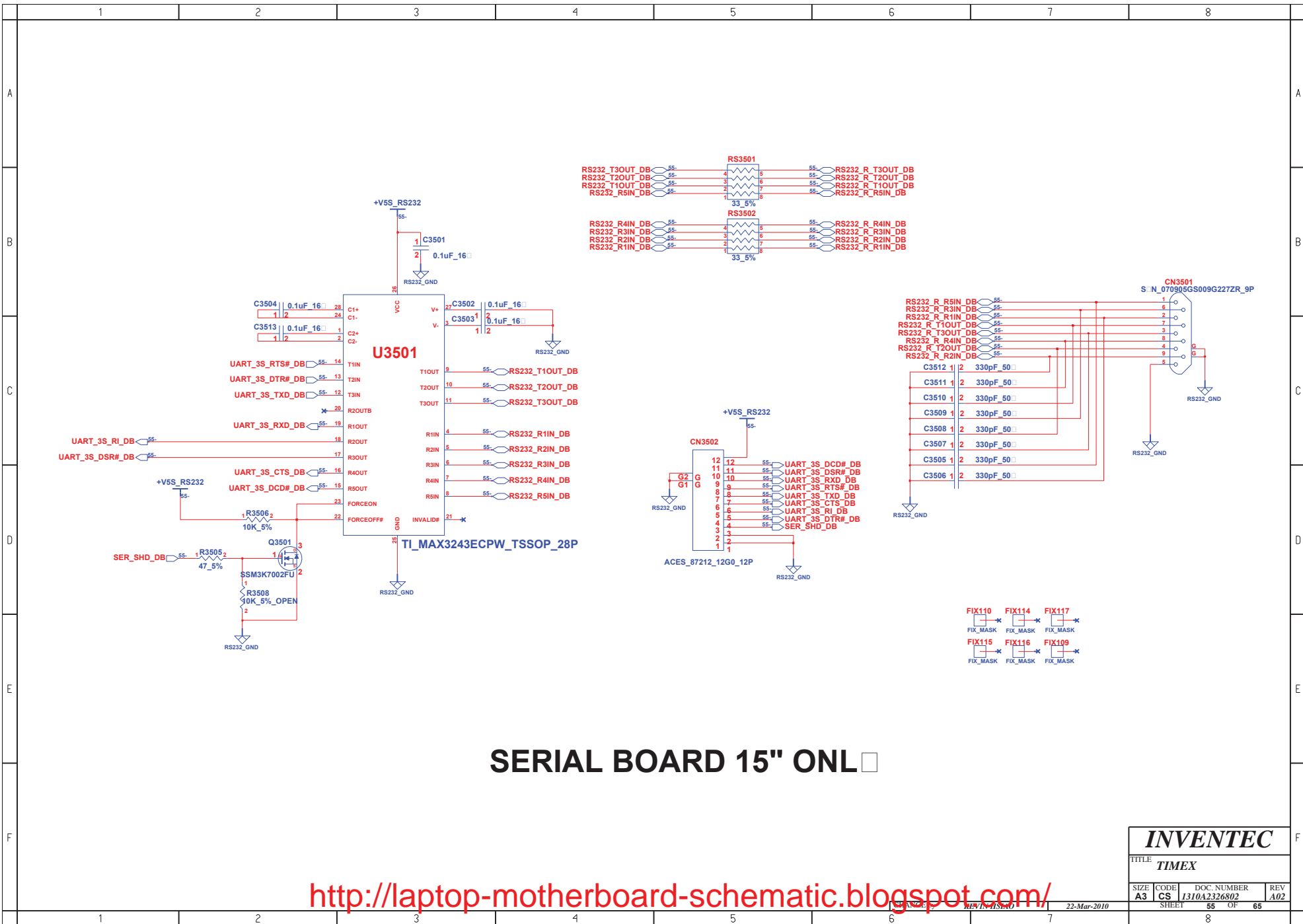
**INVENTEC**

TITLE  
**TIMEX**

SIZE <b>A3</b>	CODE <b>CS</b>	DOC. NUMBER <b>1310A2326802</b>	REV <b>A02</b>
-------------------	-------------------	------------------------------------	-------------------

DATE: 26-Jan-2010

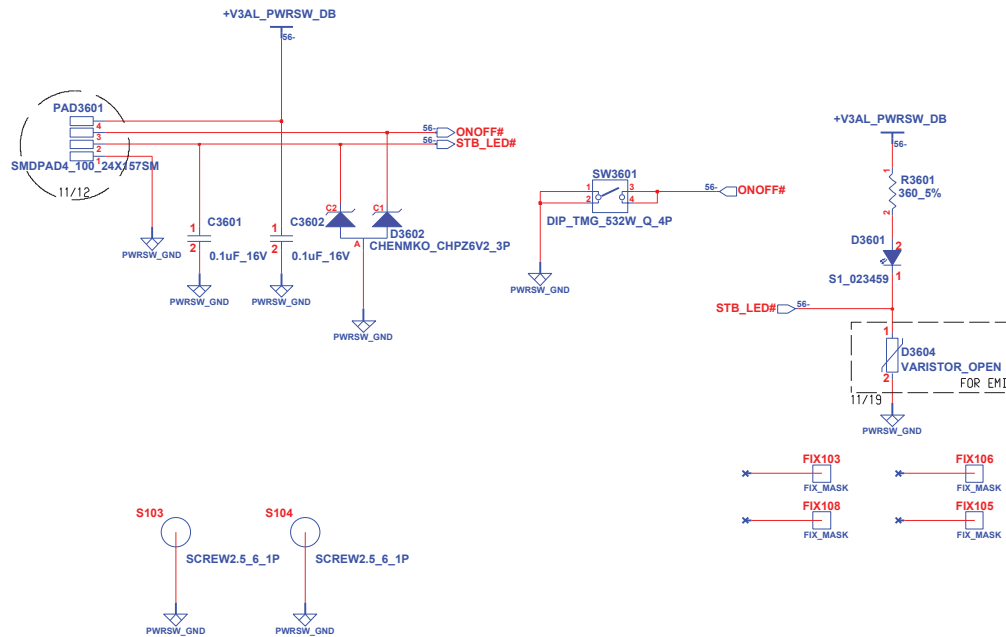
SHEET 54 OF 65



<http://laptop-motherboard-schematic.blogspot.com/>

<b>INVENTEC</b>			
TITLE <b>TIMEX</b>			
SIZE <b>A3</b>	CODE <b>CS</b>	DOC. NUMBER <b>I310A2326802</b>	REV <b>A02</b>
SHEET <b>55</b>		OF <b>65</b>	

22-Mar-2010



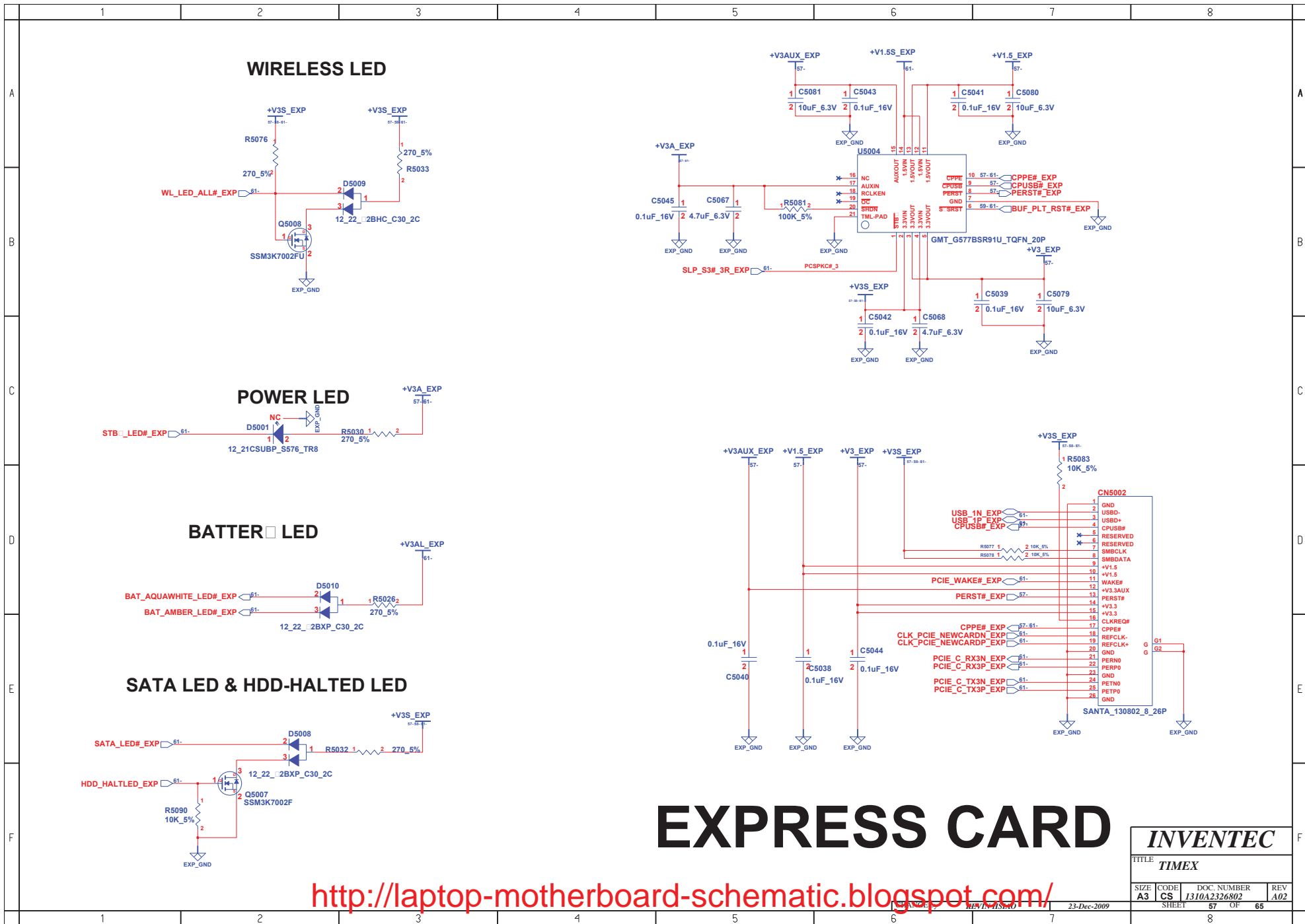
### POWER SWITCH DAUGHTER BOARD

<http://laptop-motherboard-schematic.blogspot.com/>

<b>INVENTEC</b>			
TITLE <b>TIMEX</b>			
SIZE <b>A3</b>	CODE <b>CS</b>	DOC. NUMBER <b>I310A2326802</b>	REV <b>A02</b>
SHEET <b>56</b>		OF <b>65</b>	

23-Mar-2010



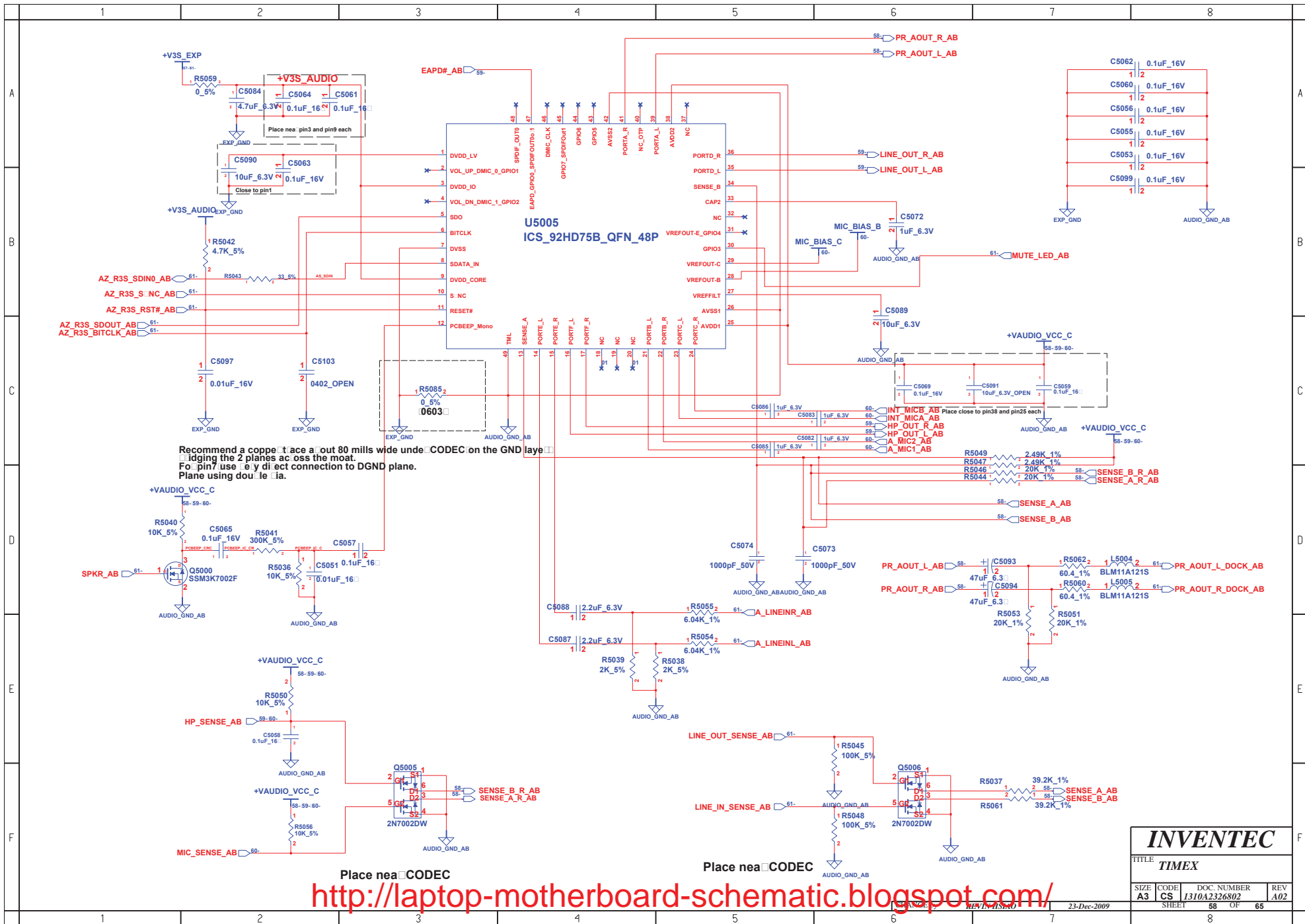


# EXPRESS CARD

<http://laptop-motherboard-schematic.blogspot.com/>

<b>INVENTEC</b>			
TITLE: <b>TIMEX</b>			
SIZE	CODE	DOC. NUMBER	REV
A3	CS	I310A2326802	A02
SHEET		57	OF 65

23-Dec-2009



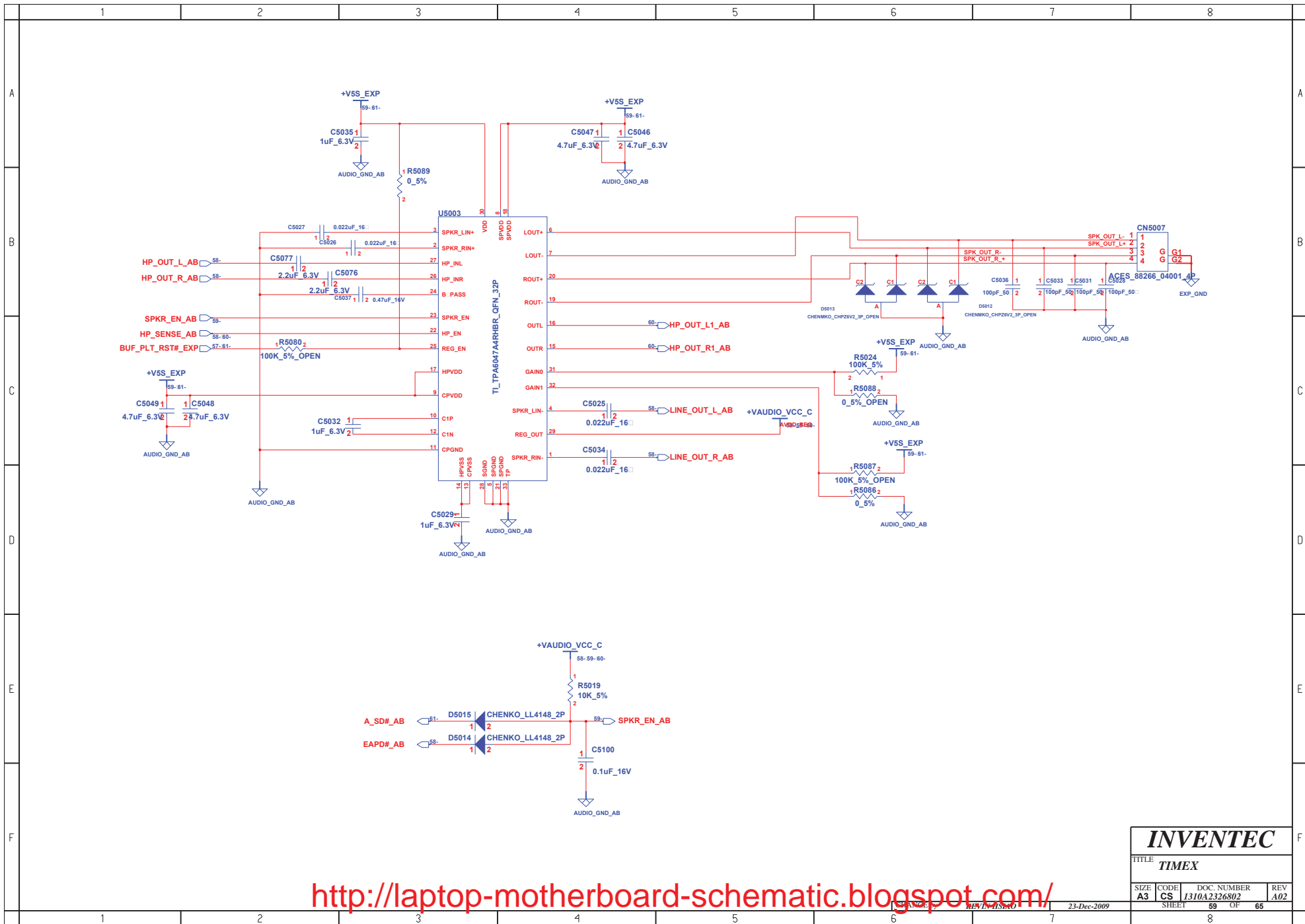
Recommend a copper trace about 80 mils wide under CODEC on the GND layer. Bridging the 2 planes across the moat. For pin7 use a direct connection to DGND plane. Plane using double via.

Place near CODEC

Place near CODEC

<http://laptop-motherboard-schematic.blogspot.com/>

<b>INVENTEC</b>			
TITLE: <b>TIMEX</b>			
SIZE: <b>A3</b>	CODE: <b>CS</b>	DOC. NUMBER: <b>I310A2326802</b>	REV: <b>A02</b>
SHEET: <b>58</b>		OF: <b>65</b>	



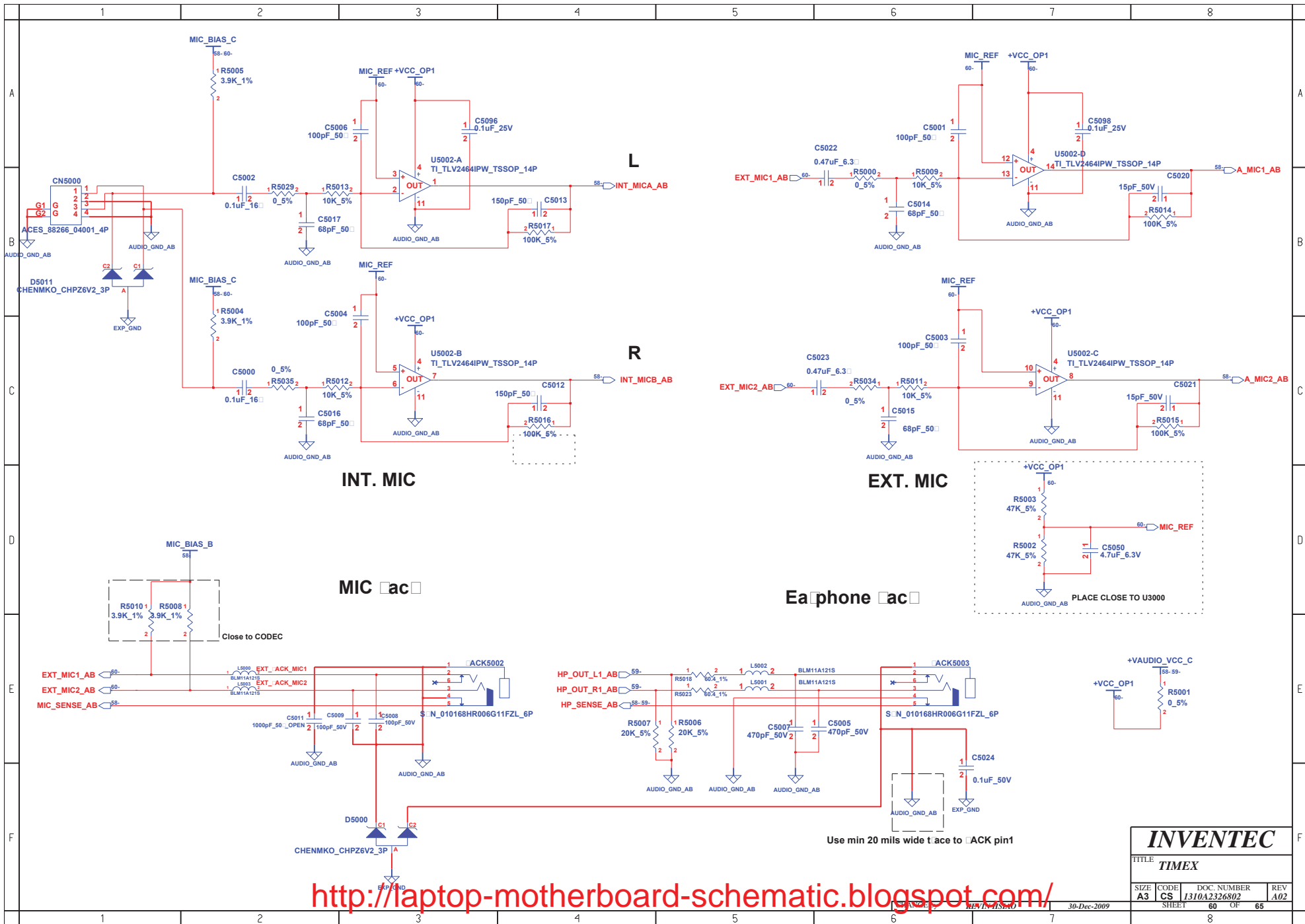
<http://laptop-motherboard-schematic.blogspot.com/>

**INVENTEC**

TITLE  
**TIMEX**

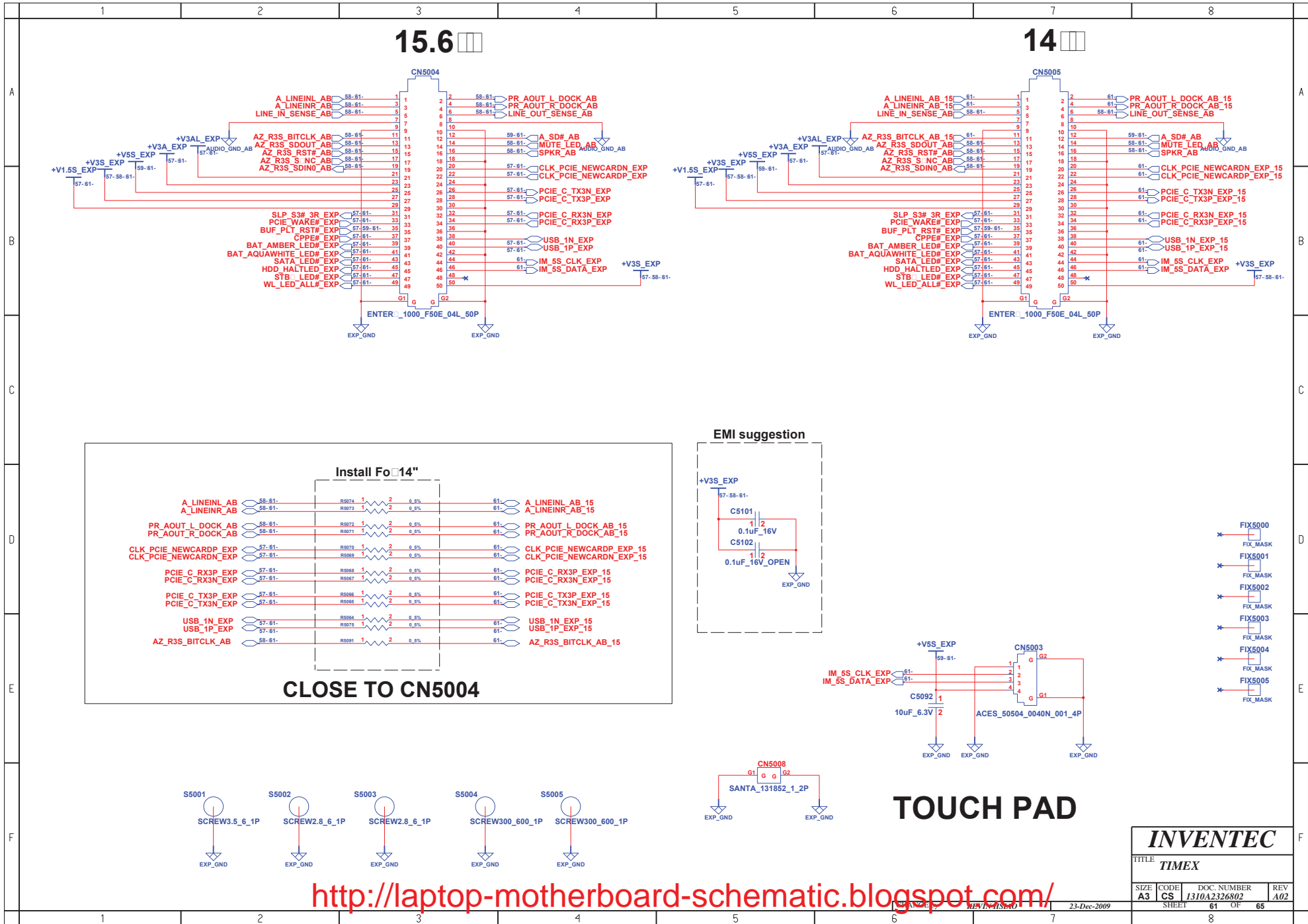
SIZE <b>A3</b>	CODE <b>CS</b>	DOC. NUMBER <b>I310A2326802</b>	REV <b>A02</b>
SHEET <b>59</b>		OF <b>65</b>	

23-Dec-2009



<http://laptop-motherboard-schematic.blogspot.com/>

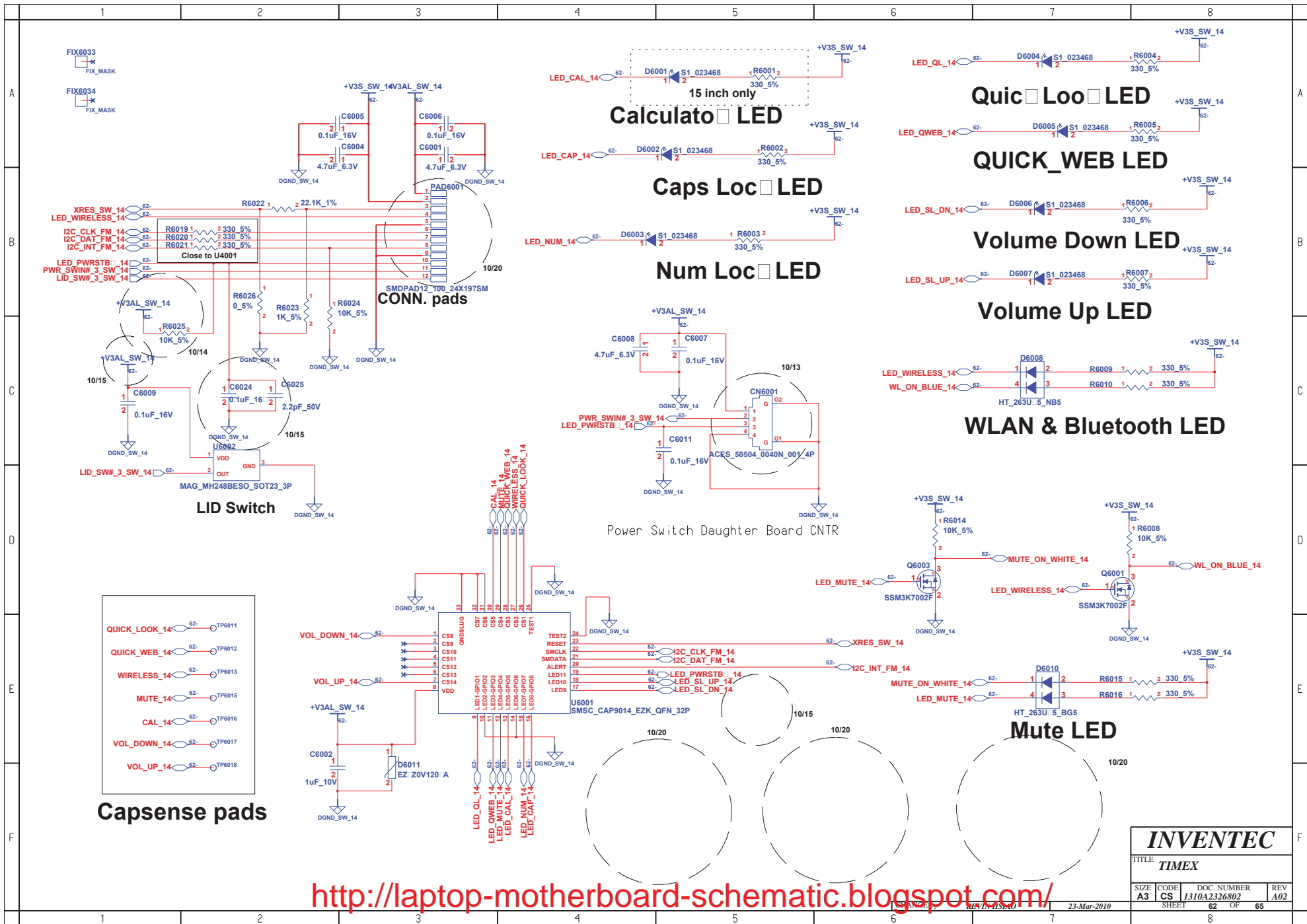
<b>INVENTEC</b>			
TITLE <b>TIMEX</b>			
SIZE <b>A3</b>	CODE <b>CS</b>	DOC. NUMBER <b>I310A2326802</b>	REV <b>A02</b>
SHEET <b>60</b>		OF <b>65</b>	



<http://laptop-motherboard-schematic.blogspot.com/>

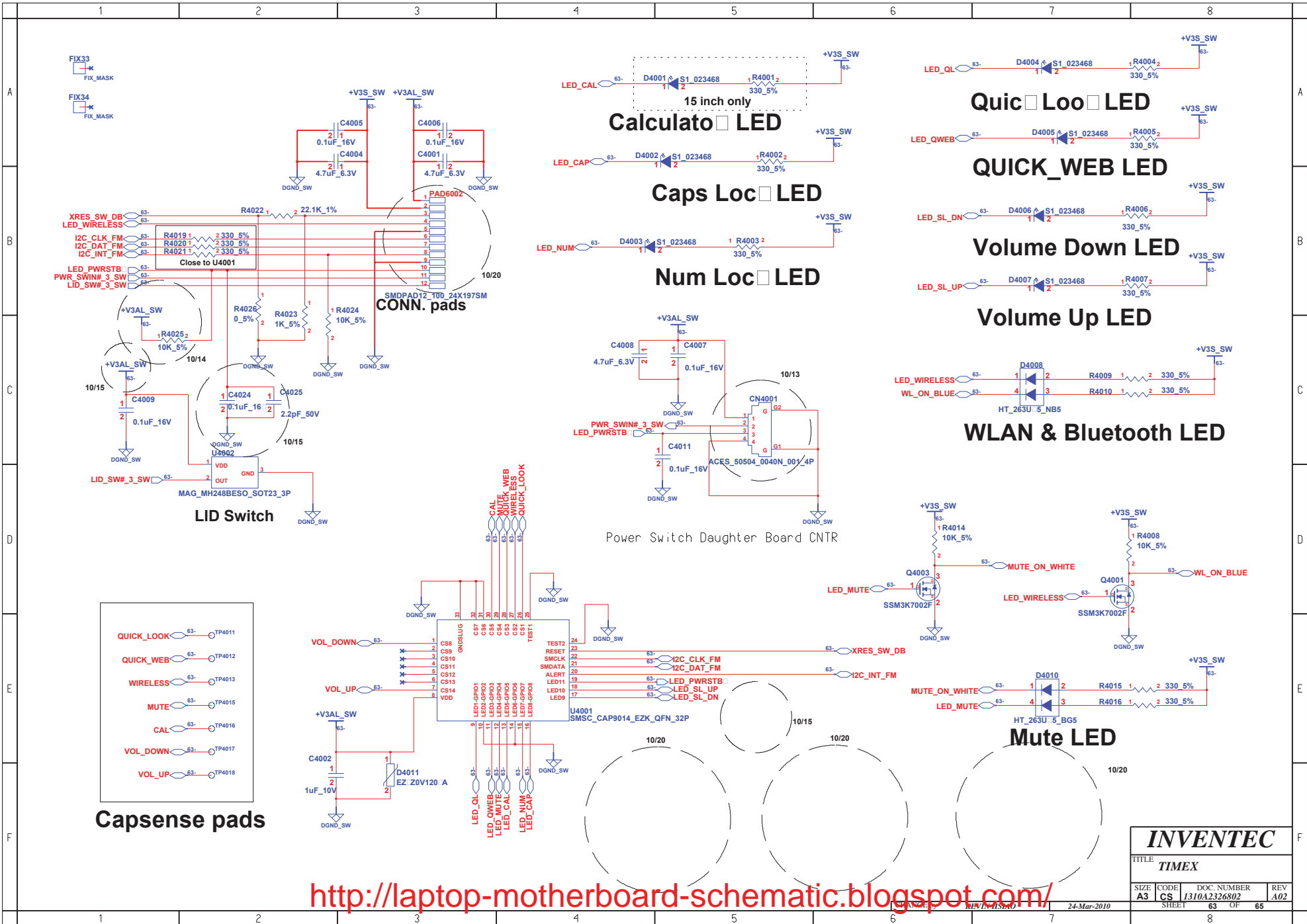
<b>INVENTEC</b>			
TITLE TIMEX			
SIZE A3	CODE CS	DOC. NUMBER 1310A2326802	REV A02
SHEET 61		OF 65	

23-Dec-2009



<http://laptop-motherboard-schematic.blogspot.com/>

<b>INVENTEC</b>			
TITLE TIMEX			
SIZE A3	CODE CS	DOC. NUMBER I310A2326802	REV A02
SHEET 62		OF 65	



<http://laptop-motherboard-schematic.blogspot.com/>

<b>INVENTEC</b>			
TITLE: <b>TIMEX</b>			
SIZE: <b>A3</b>	CODE: <b>CS</b>	DOC. NUMBER: <b>I310A2326802</b>	REV: <b>A02</b>
SHEET: <b>63</b>		OF: <b>65</b>	

**BLANK**

<http://laptop-motherboard-schematic.blogspot.com/>

**INVENTEC**

TITLE  
**TIMEX**

SIZE <b>A3</b>	CODE <b>CS</b>	DOC. NUMBER <b>1310A2326802</b>	REV <b>A02</b>
SHEET		<b>64</b>	OF <b>65</b>

REVISED BY: **REVISED BY** 23-Dec-2009



**BLANK**

<http://laptop-motherboard-schematic.blogspot.com/>

**INVENTEC**

TITLE  
**TIMEX**

SIZE <b>A3</b>	CODE <b>CS</b>	DOC. NUMBER <b>1310A2326802</b>	REV <b>A02</b>
SHEET		<b>65</b>	OF <b>65</b>

REVISED BY: **REVISED BY** DATE: **23-Dec-2009**