

DDD Discrete GDDR2 PV Build

2007.06.15

DATE	CHANGE NO.	REV

DRAWER	EE	DATE	POWER	DATE	INVENTEC			
DESIGN								
CHECK								
RESPONSIBLE								
TITLE					DDD Discrete			
SIZE =	3	VER :						
FILE NAME :	XXXX-XXXXXX-XX				SIZE	CODE	DOC. NUMBER	REV
P/N	XXXXXXXXXXXX				A3	CS	Model No	A01
					SHEET	1	OF	55

TABLE OF CONTENTS

PAGE

- 5- DC& BATTERY CHARGER
- 6- SELECT & BATTERY CONN
- 7- SYSTEM POWER(3V/5V)
- 8- SYSTEM POWER(+V1.8/+V1.25S)
- 9- GRAPHIC POWER(+VGFX_CORE)
- 10- SYSTEM POWER(+VCCP/+V1.5S)
- 11- CPU POWER(VCC_CORE)
- 12- DDR TERMINATION VOLTAGE
- 13- POWER(SLEEP)
- 14- POWER(SEQUENCE)

PAGE

- 15- CLOCK_GENERATOR
- 16- MEROM-1
- 17- MEROM-2
- 18- MEROM-3
- 19- THERMAL&FAN CONTROLLER
- 20- Crestline-1
- 21- Crestline-2
- 22- Crestline-3
- 23- Crestline-4
- 24- Crestline-5
- 25- Crestline-6
- 26- DDR2-DIMM0
- 27- DDR2-DIMM1
- 28- DDR2-DAMPING
- 29- VGA CONN
- 30- LCM CONN
- 31- ICH8-1
- 32- ICH8-2
- 33- ICH8-3
- 34- ICH8-4
- 35- ICH8-5

PAGE

- 36- SYSTEM BIOS&ODD EXTEND/B
- 37- HDD&ODD CONN
- 38- USB CONN
- 39- KBC
- 40- KB&TP CONN
- 41- AUDIO CODEC
- 42- MDC CONN & AUDIO JACK
- 43- NIC 10/100- CONTROLLER
- 44- NIC 10/100- RJ45 CONN
- 45- MINICARD CONN & BLUETOOTH
- 46- NEW CARD & SD/MMC
- 47- LED & BUTTON
- 48- SCREW

- 49- ATI M64S-1
- 50- ATI M64S-2
- 51- ATI M64S-3
- 52- ATI M64S-4
- 53- VIDEO RAM-1
- 54- VIDEO RAM-2

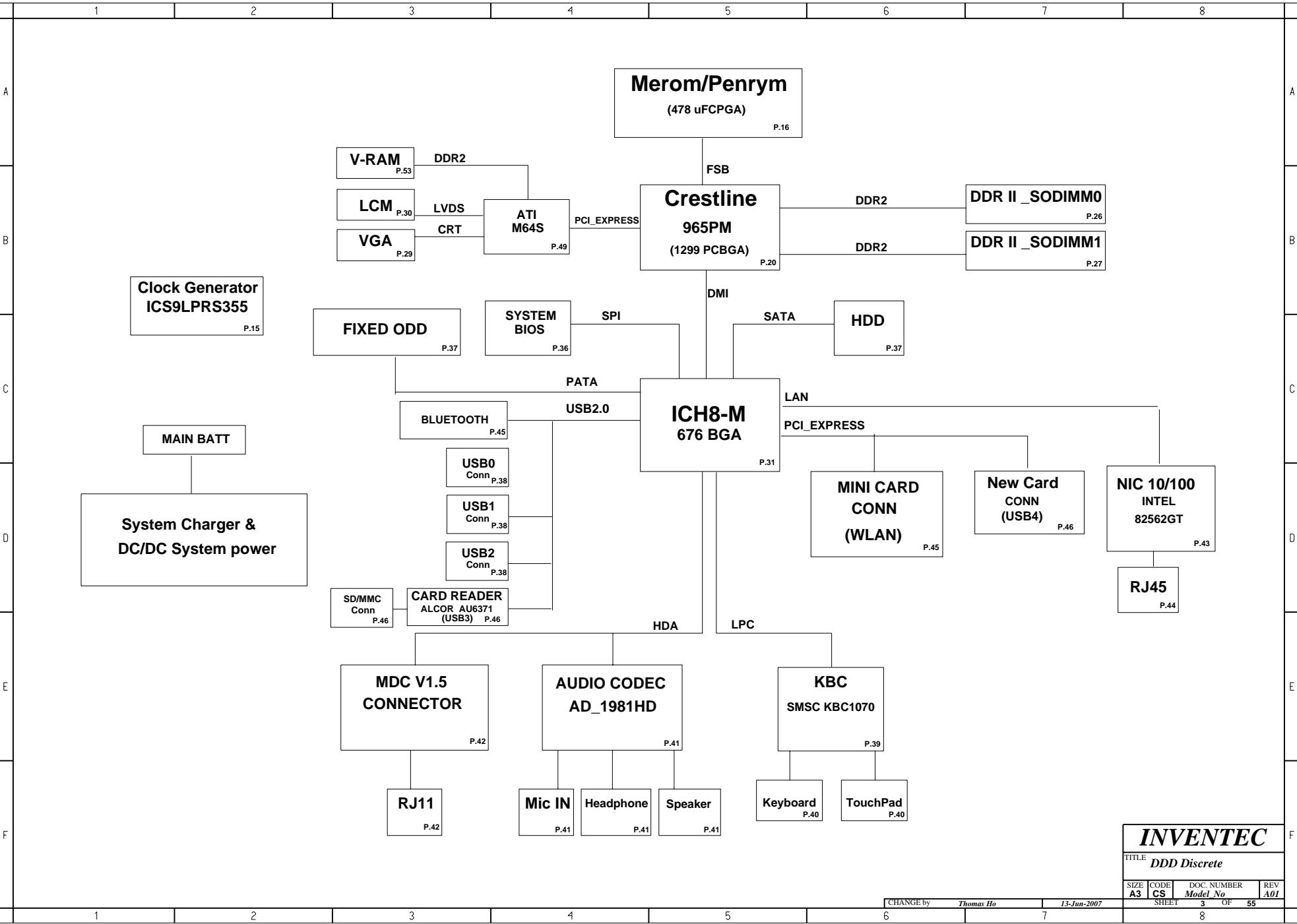
INVENTEC

TITLE *DDD Discrete*

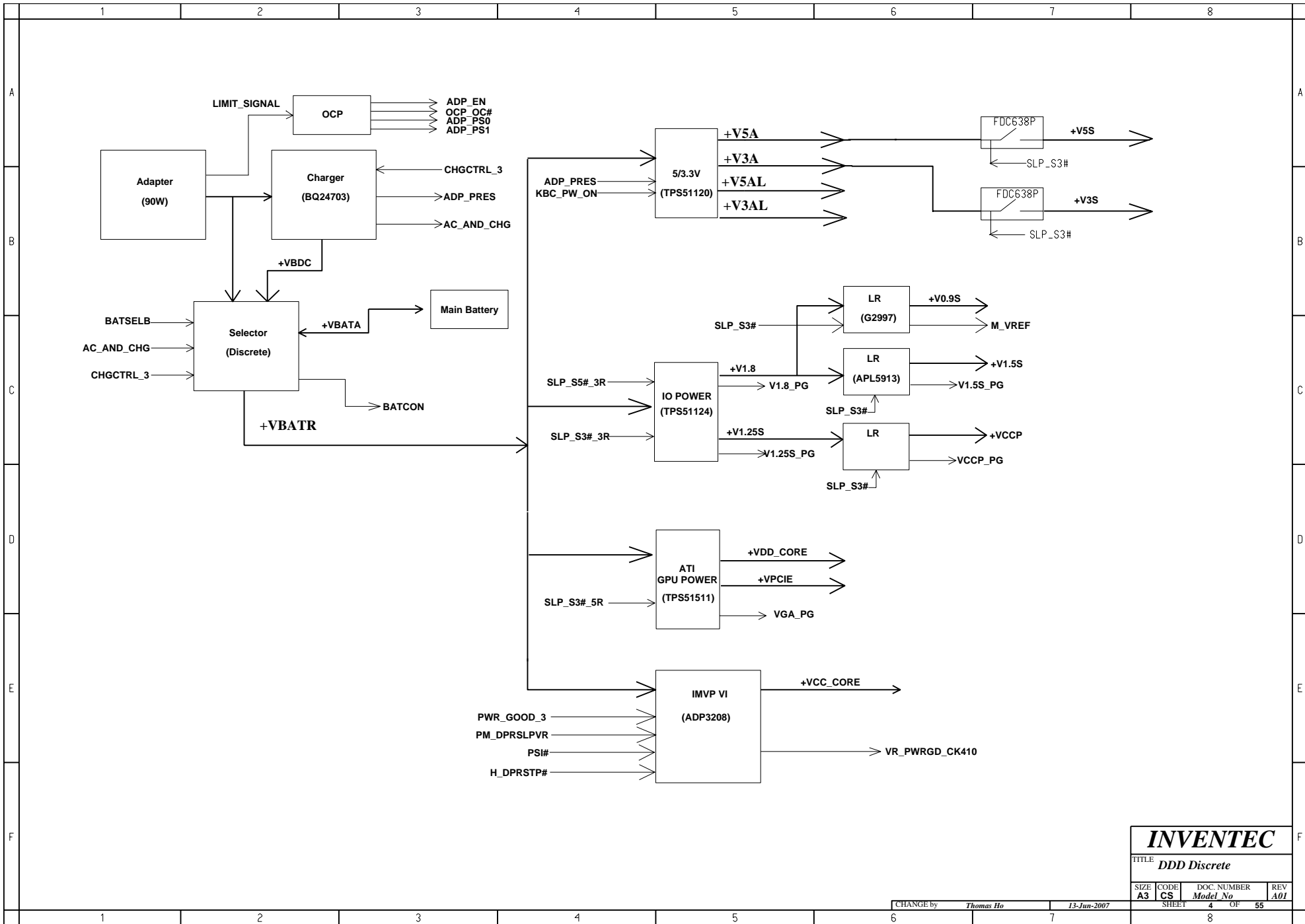
SIZE A3	CODE CS	DOC. NUMBER <i>Model No</i>	REV A01
-------------------	-------------------	--------------------------------	-------------------

CHANGE by *Thomas Ho* 13-Jun-2007

SHEET 2 OF 55



INVENTEC			
TITLE <i>DDD Discrete</i>			
SIZE A3	CODE CS	DOC. NUMBER <i>Model No</i>	REV A01
CHANGE by <i>Thomas Ho</i>		13-Jun-2007	
SHEET		3 OF 55	

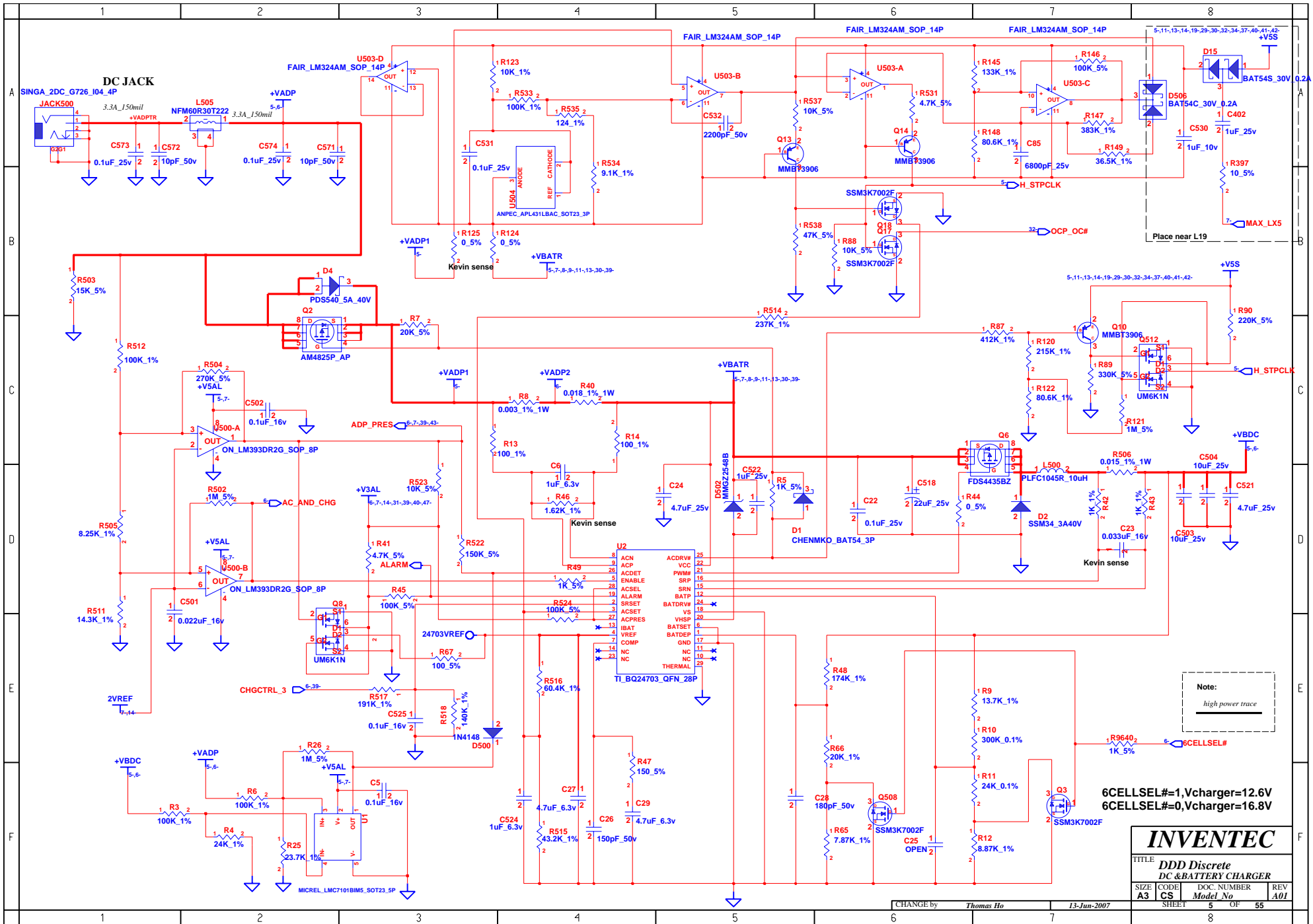


INVENTEC

TITLE **DDD Discrete**

SIZE A3	CODE CS	DOC. NUMBER <i>Model No</i>	REV A01
-------------------	-------------------	--------------------------------	-------------------

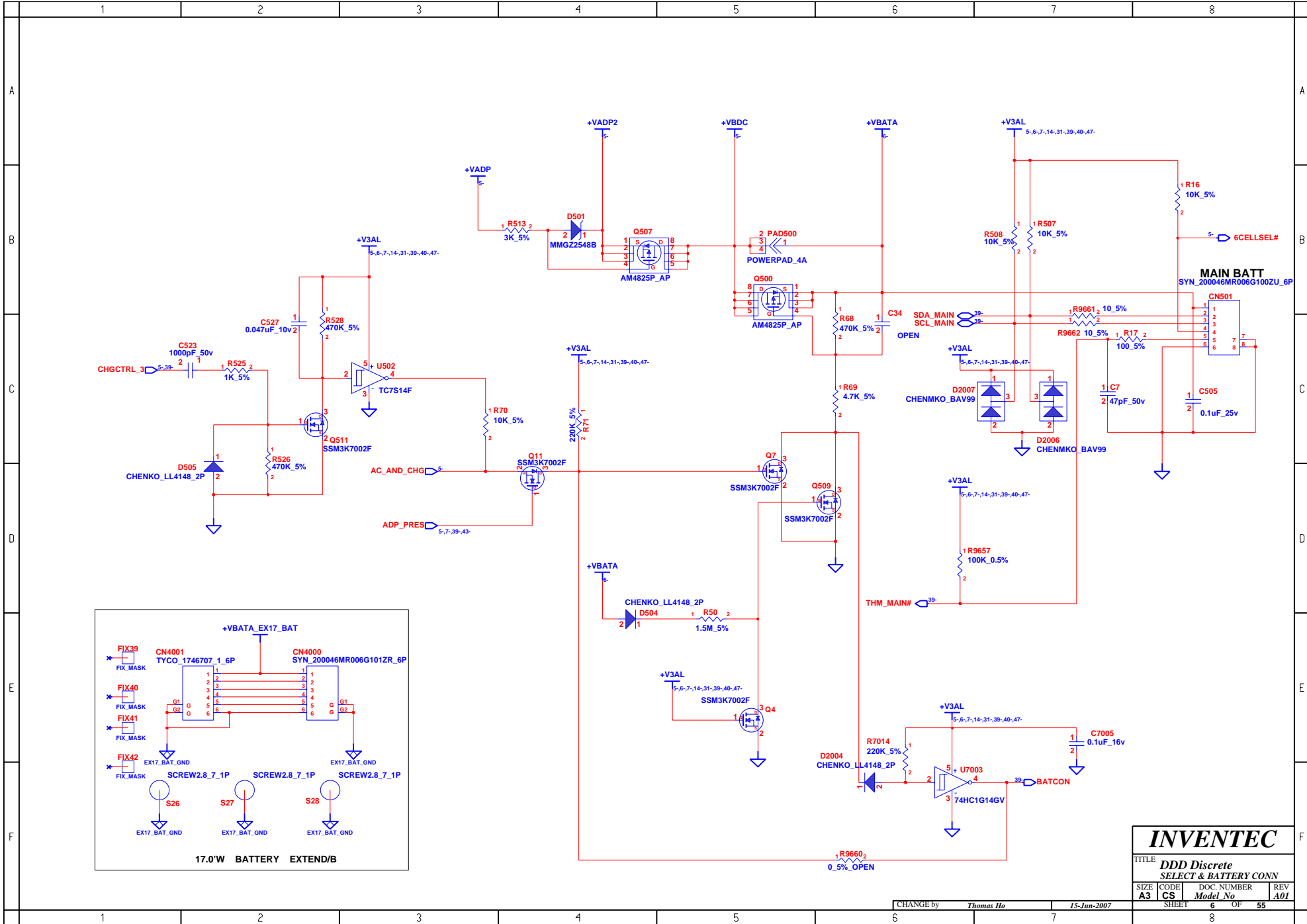
CHANGE by *Thomas Ho* 13-Jun-2007 SHEET 4 OF 55



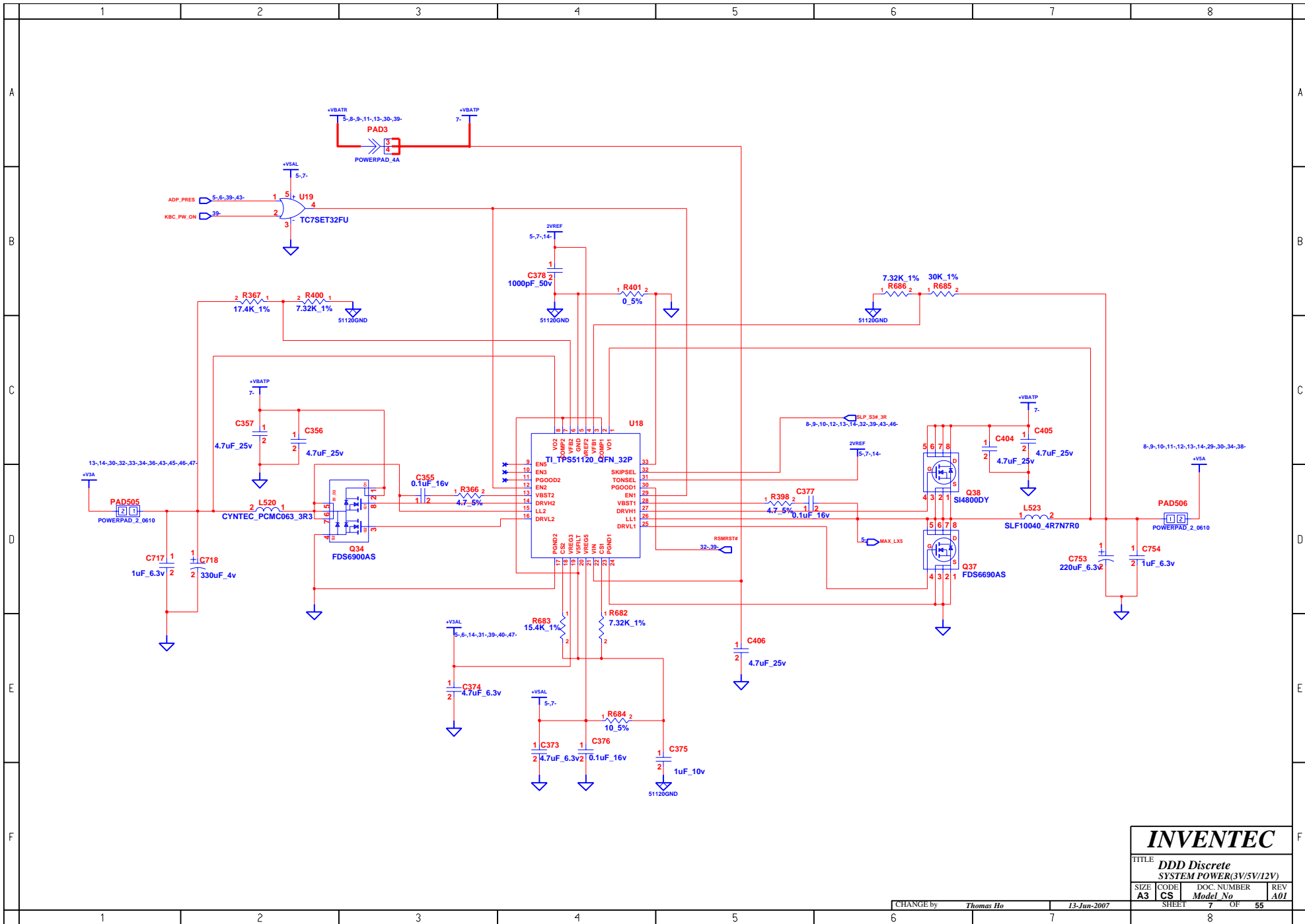
6CELLSEL#=1, Vcharger=12.6V
 6CELLSEL#=0, Vcharger=16.8V

Note:
 high power trace

INVENTEC			
TITLE DDD Discrete DC & BATTERY CHARGER			
SIZE A3	CODE CS	DOC. NUMBER Model No	REV A01
CHANGE by Thomas Ho		13-Jun-2007	
SHEET 5		OF 55	



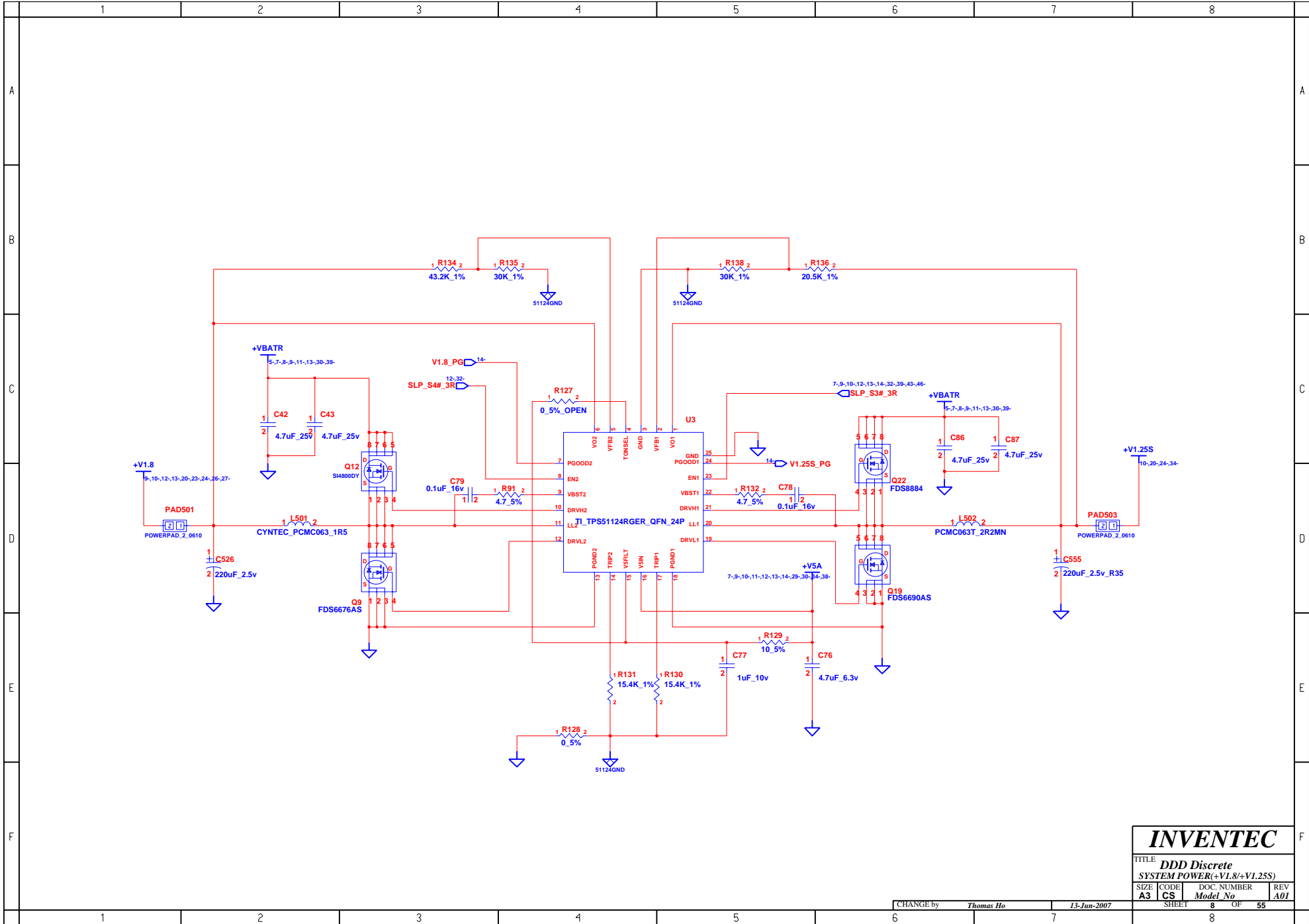
INVENTEC			
TITLE DDD Discrete SELECT & BATTERY CONN			
SIZE A3	CODE CS	DOC. NUMBER Model No	REV A01
CHANGE by <i>Thomas Ho</i>		15-Jun-2007	
SHEET 6		OF 55	



INVENTEC

TITLE
DDD Discrete
SYSTEM POWER(3V/5V/12V)

SIZE	CODE	DOC. NUMBER	REV
A3	CS	Model No	A01

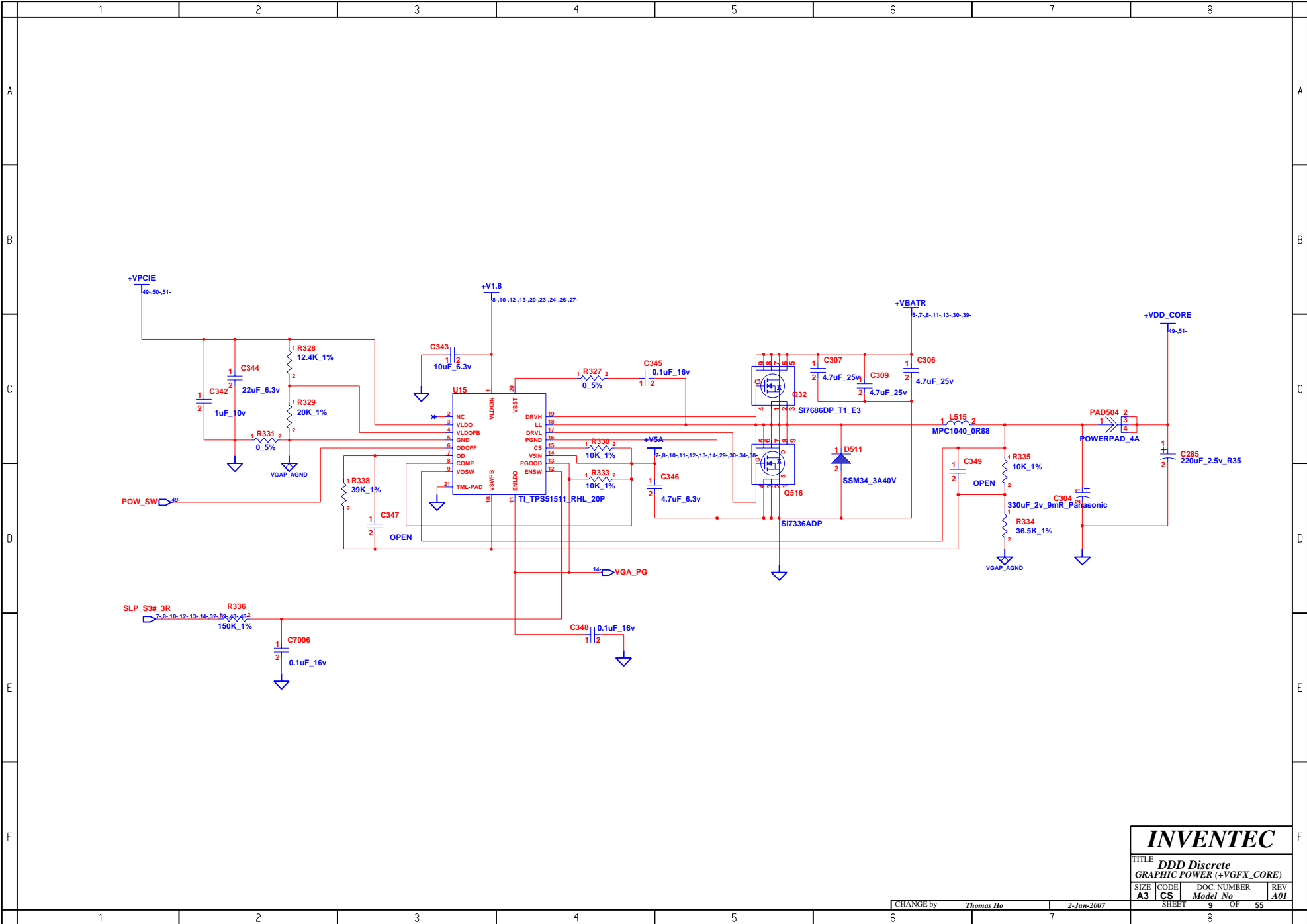


INVENTEC

TITLE **DDD Discrete**
SYSTEM POWER(+V1.8/+V1.25S)

SIZE A3	CODE CS	DOC. NUMBER	REV A01
SHEET 8		OF 55	

CHANGE by *Thomas Ho* 13-Jun-2007

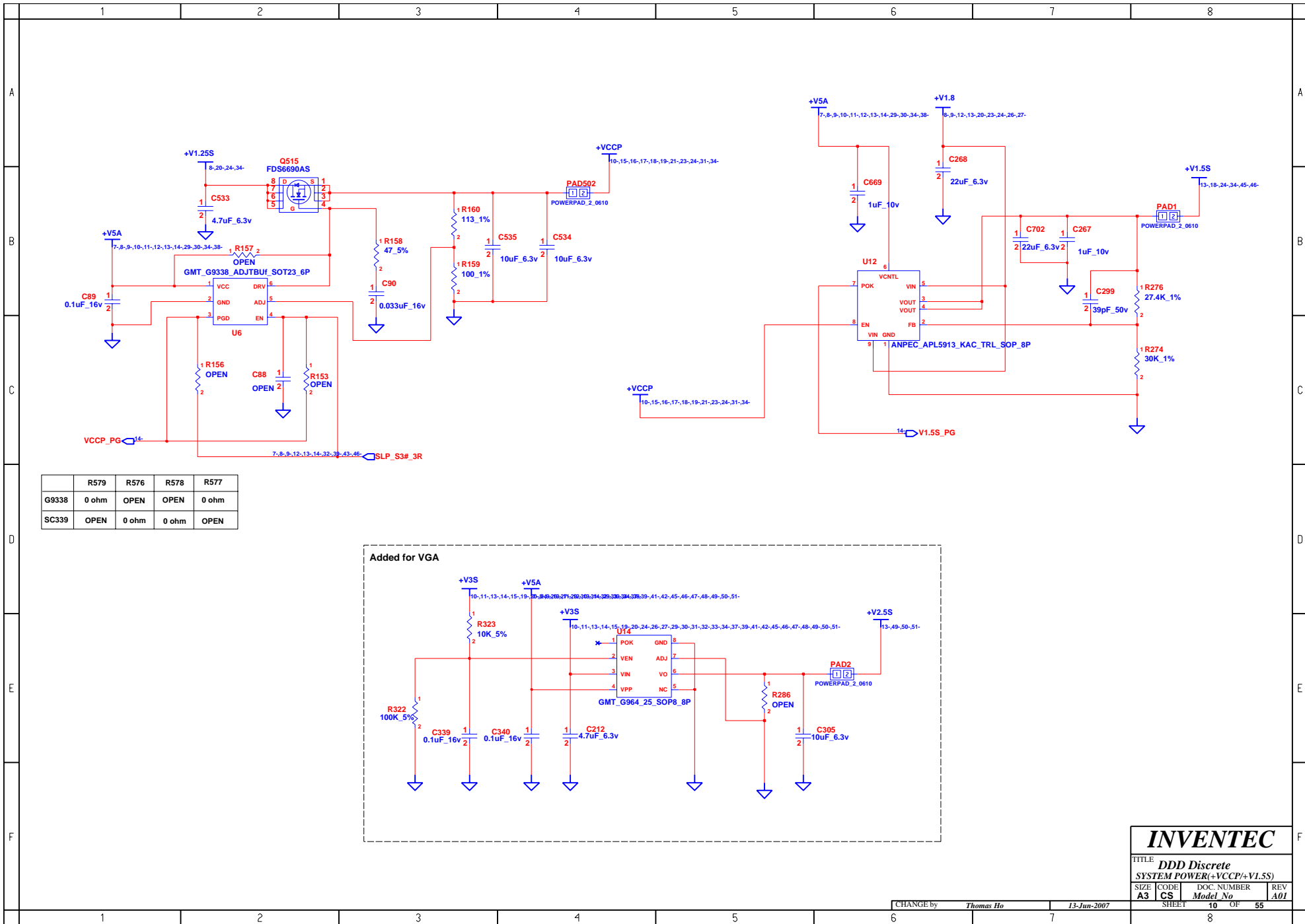


INVENTEC

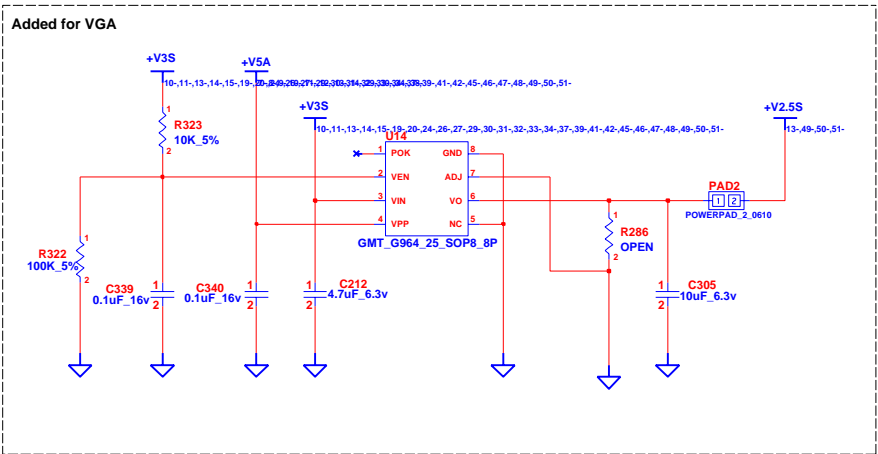
TITLE
DDD Discrete
GRAPHIC POWER (+VGF_X_CORE)

SIZE A3	CODE CS	DOC. NUMBER <i>Model No</i>	REV A01
-------------------	-------------------	--------------------------------	-------------------

CHANGE by <i>Thomas Ho</i>	2-Jun-2007	SHEET 9	OF 55
-------------------------------	------------	-------------------	-----------------



	R579	R576	R578	R577
G9338	0 ohm	OPEN	OPEN	0 ohm
SC339	OPEN	0 ohm	0 ohm	OPEN

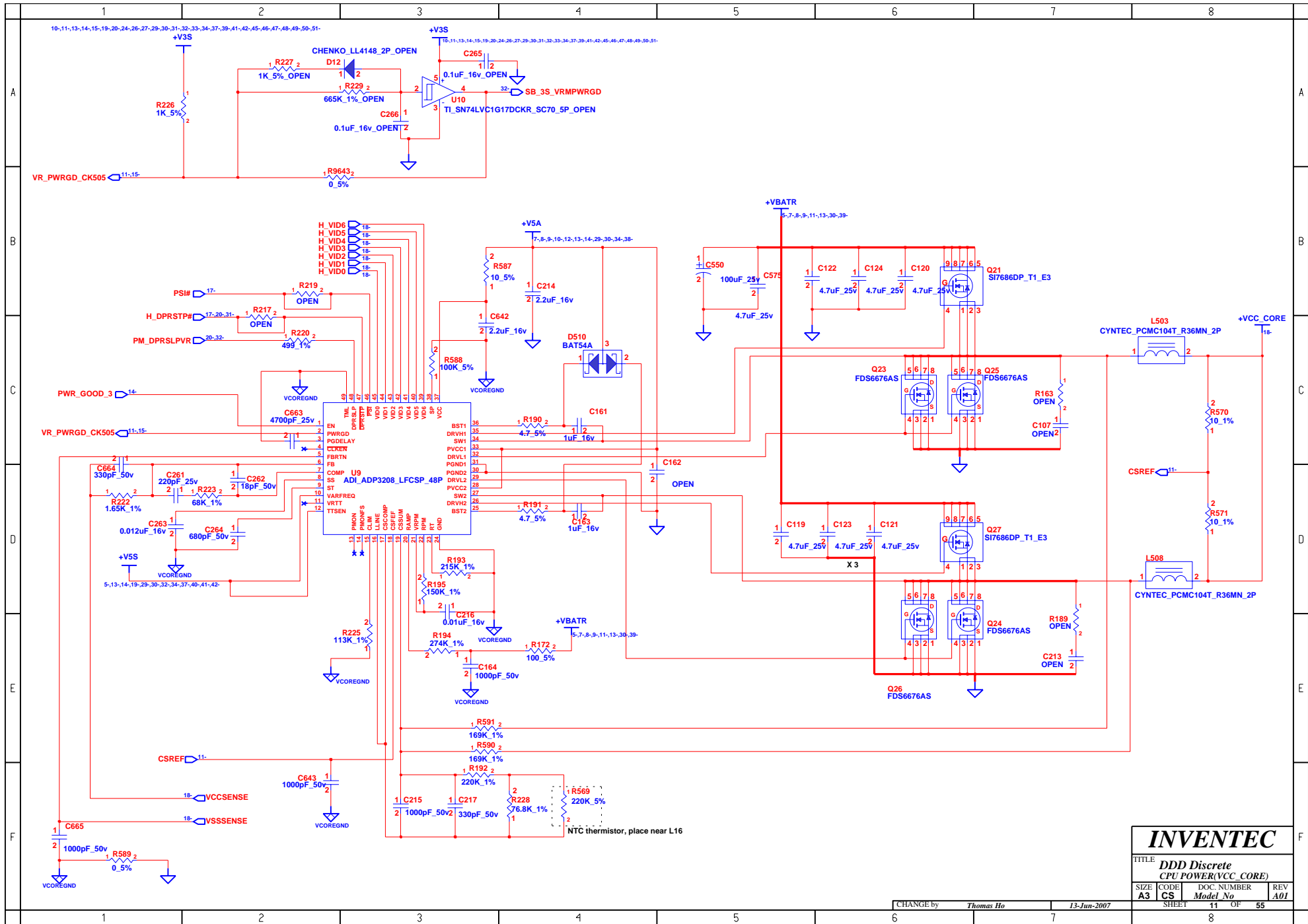


INVENTEC

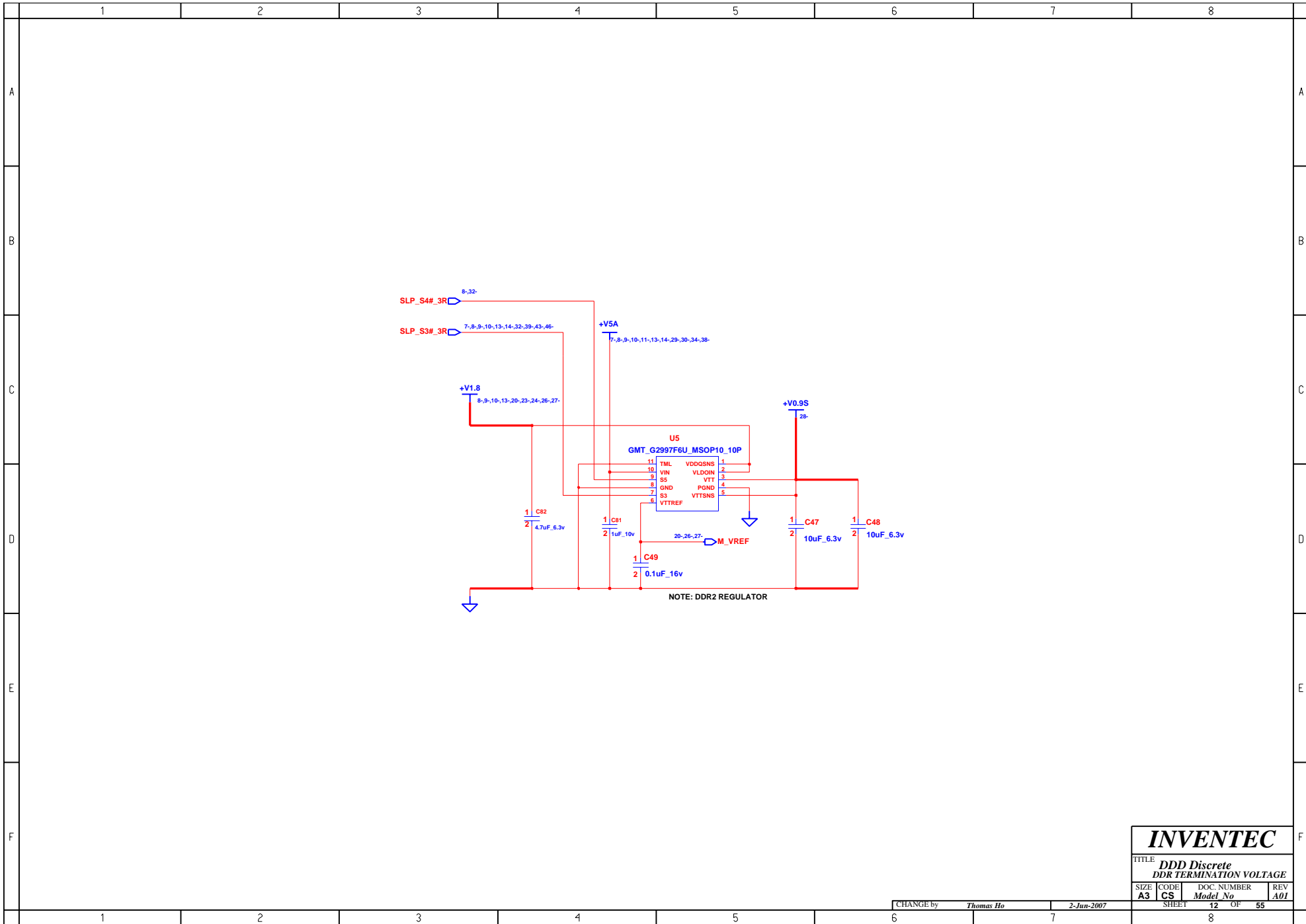
TITLE **DDD Discrete**
SYSTEM POWER(+VCCP/+V1.5S)

SIZE	CODE	DOC. NUMBER	REV
A3	CS	Model No	A01

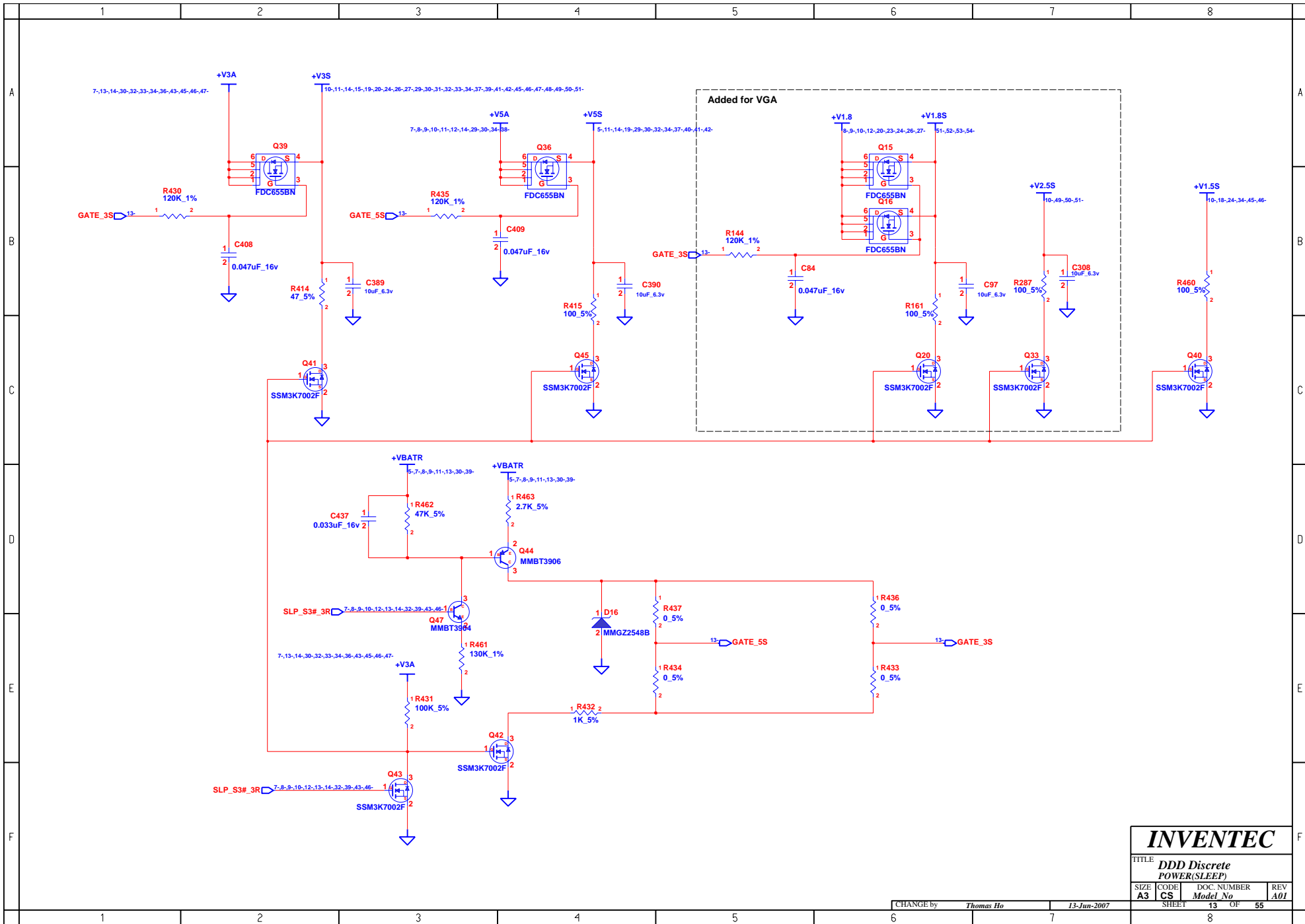
CHANGE by *Thomas Ho* 13-Jun-2007 SHEET 10 OF 55



INVENTEC				
TITLE: DDD Discrete CPU POWER(VCC_CORE)				
SIZE: A3	CODE: CS	DOC. NUMBER: Model No	REV: A01	
CHANGE by: Thomas Ho			13-Jun-2007	
SHEET: 11			OF: 55	



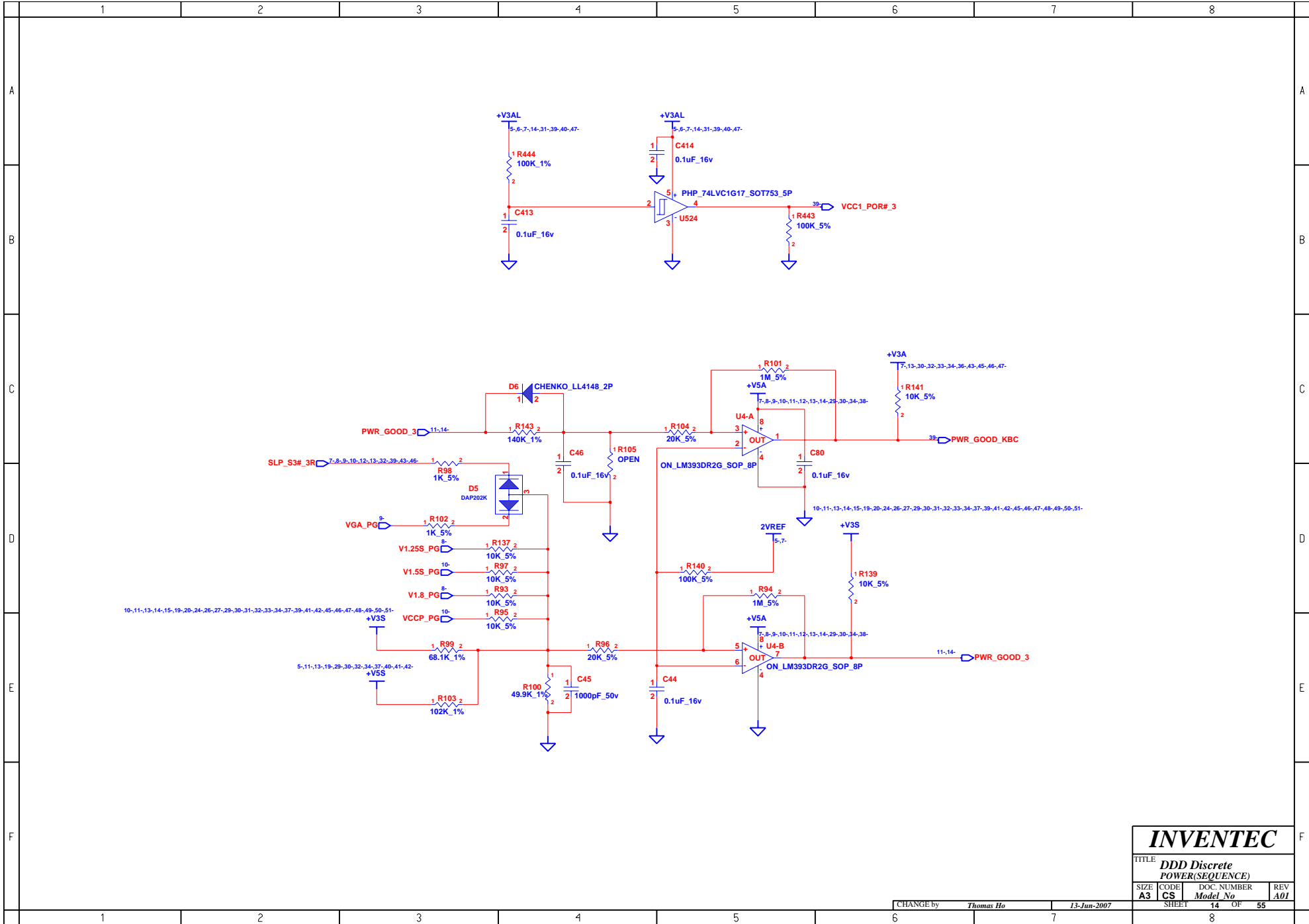
INVENTEC			
TITLE DDD Discrete DDR TERMINATION VOLTAGE			
SIZE A3	CODE CS	DOC. NUMBER <i>Model No</i>	REV A01
CHANGE by <i>Thomas Ho</i>		2-Jun-2007	
SHEET 12		OF 55	



INVENTEC

TITLE
**DDD Discrete
 POWER(SLEEP)**

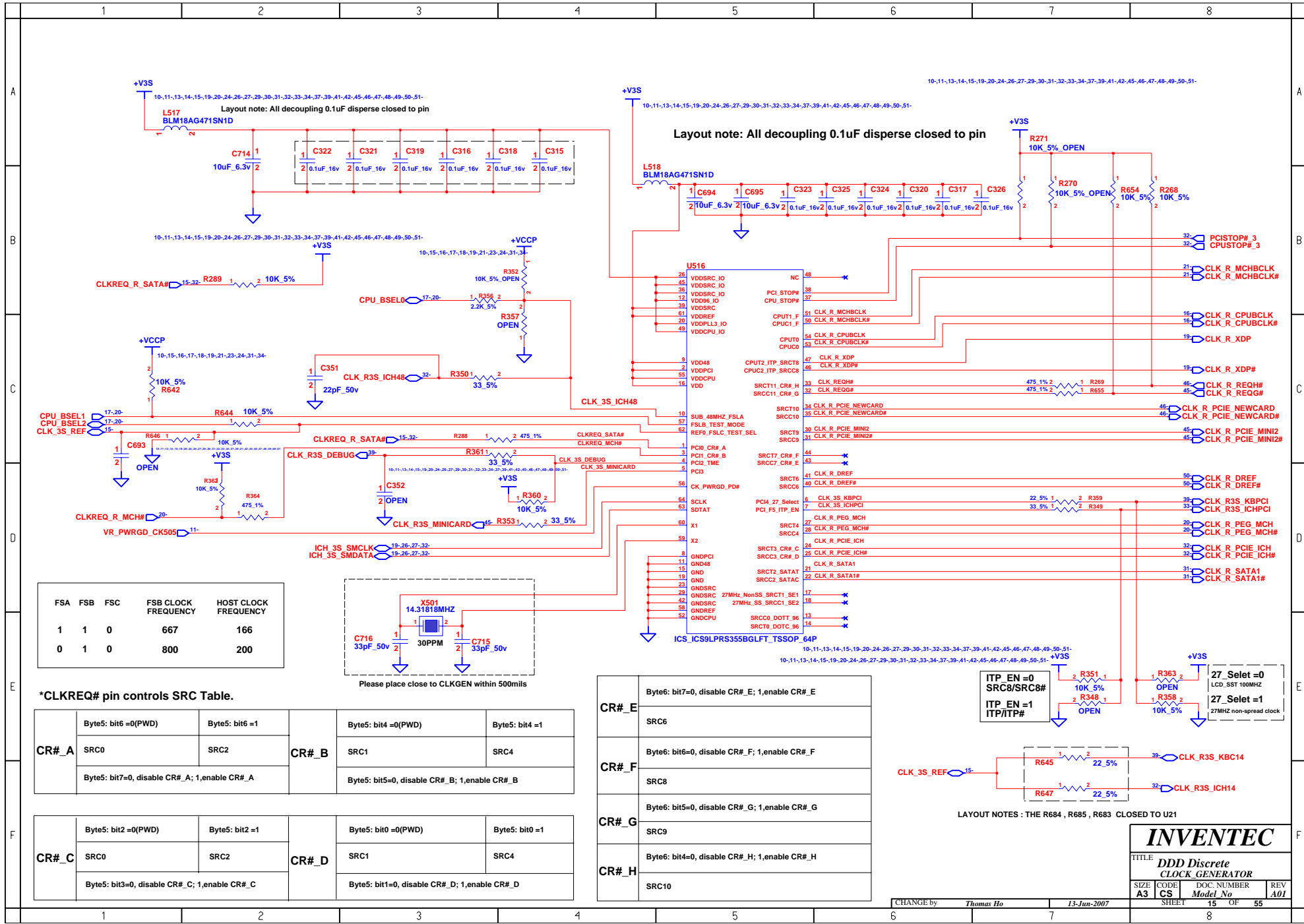
SIZE A3	CODE CS	DOC. NUMBER <i>Model No</i>	REV A01
CHANGE by <i>Thomas Ho</i>		13-Jun-2007	
SHEET 13		OF 55	



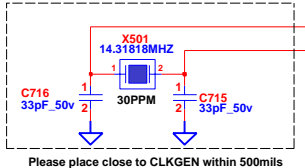
INVENTEC

TITLE			
DDD Discrete POWER(SEQUENCE)			
SIZE	CODE	DOC. NUMBER	REV
A3	CS	Model No	A01

CHANGE by Thomas Ho 13-Jun-2007



FSA	FSB	FSC	FSB CLOCK FREQUENCY	HOST CLOCK FREQUENCY
1	1	0	667	166
0	1	0	800	200

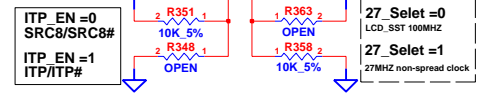


*CLKREQ# pin controls SRC Table.

CR#_A	Byte5: bit6 = 0(PWD)		Byte5: bit6 = 1	
	SRC0	SRC2	CR#_B	SRC1
Byte5: bit7=0, disable CR#_A; 1,enable CR#_A		Byte5: bit5=0, disable CR#_B; 1,enable CR#_B		

CR#_C	Byte5: bit2 = 0(PWD)		Byte5: bit2 = 1	
	SRC0	SRC2	CR#_D	SRC1
Byte5: bit3=0, disable CR#_C; 1,enable CR#_C		Byte5: bit1=0, disable CR#_D; 1,enable CR#_D		

CR#_E	Byte6: bit7=0, disable CR#_E; 1,enable CR#_E
SRC6	
CR#_F	Byte6: bit6=0, disable CR#_F; 1,enable CR#_F
SRC8	
CR#_G	Byte6: bit5=0, disable CR#_G; 1,enable CR#_G
SRC9	
CR#_H	Byte6: bit4=0, disable CR#_H; 1,enable CR#_H
SRC10	

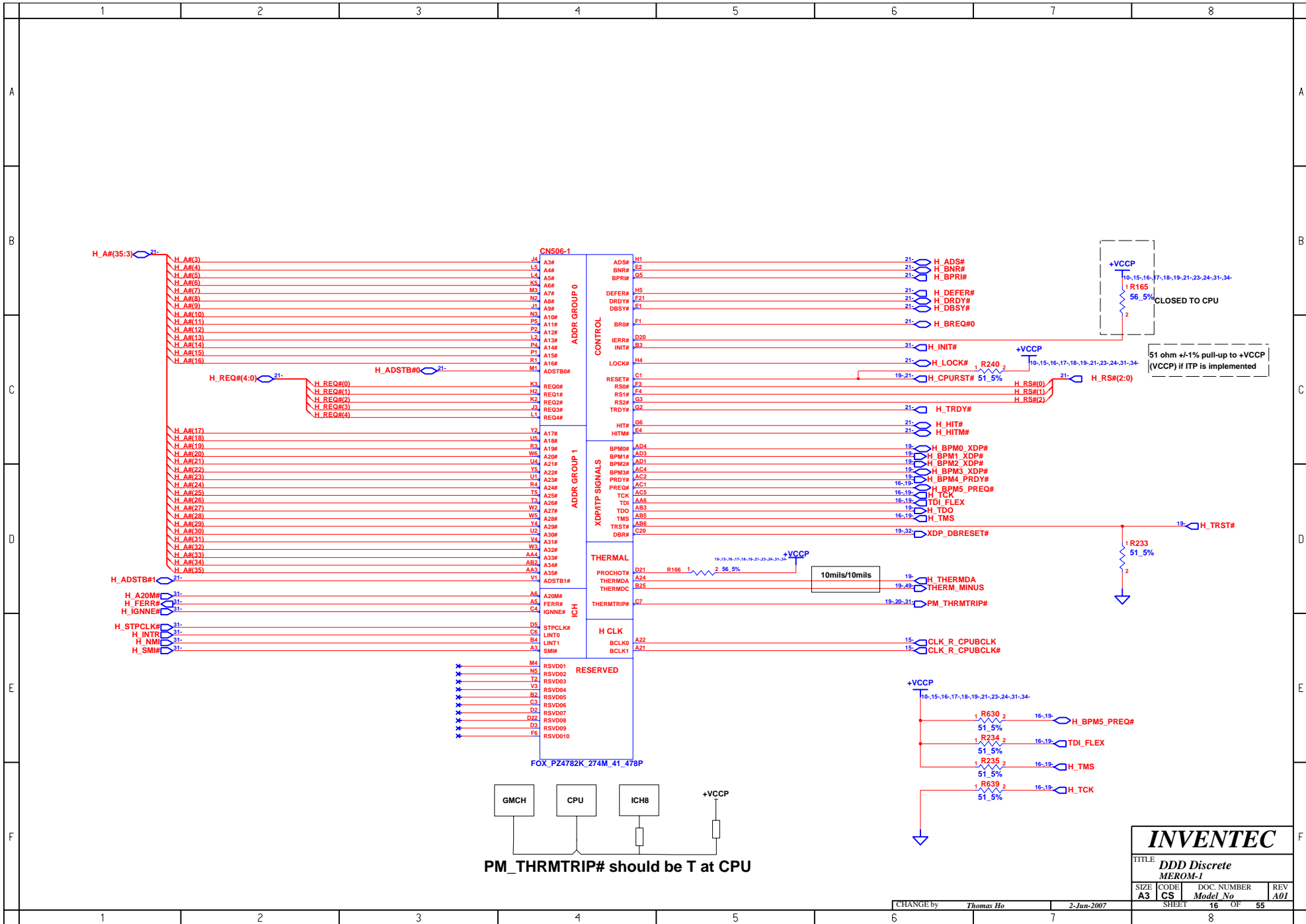


LAYOUT NOTES : THE R684 , R685 , R683 CLOSED TO U21

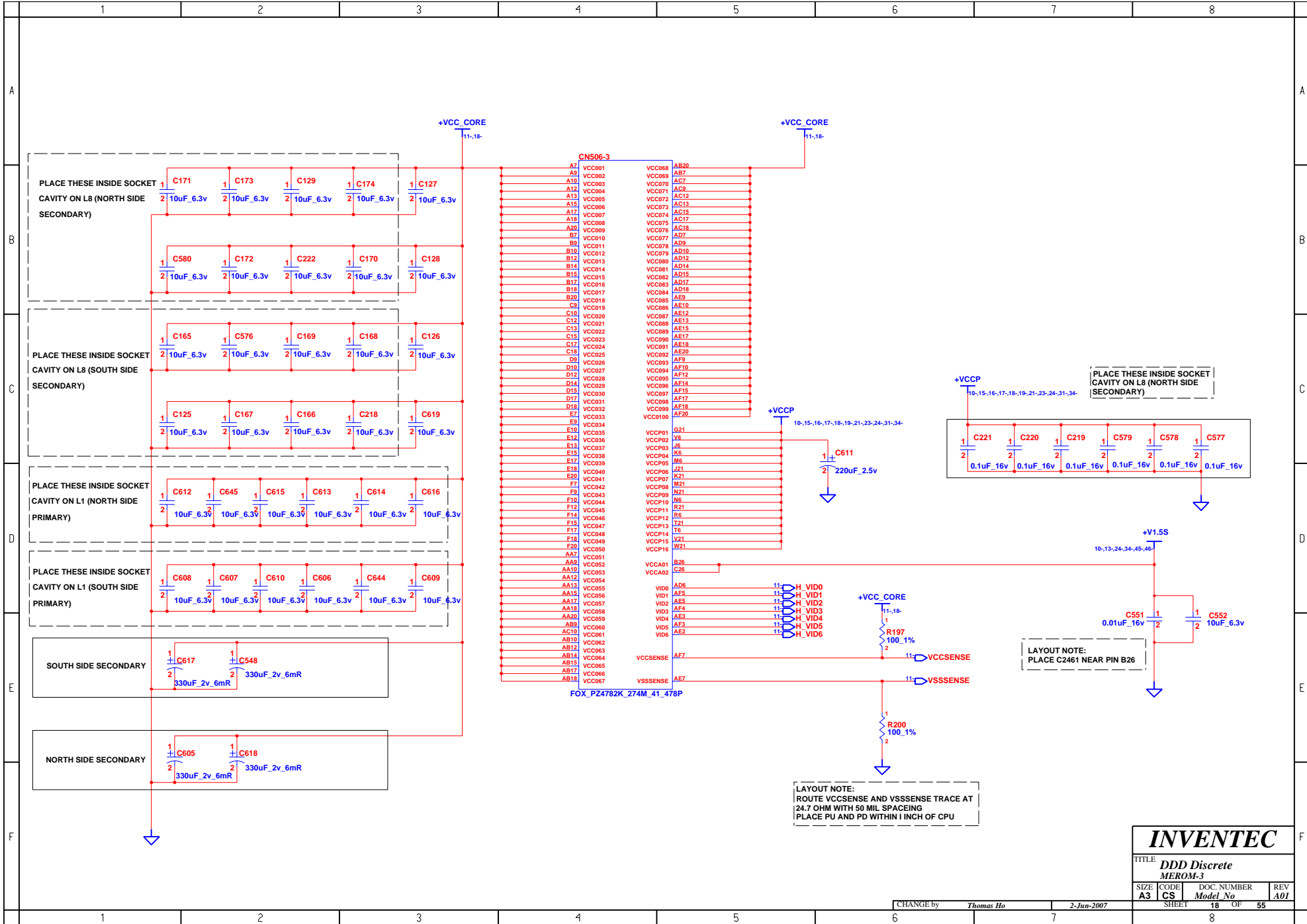
INVENTEC

TITLE: **DDD Discrete CLOCK GENERATOR**

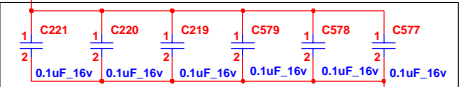
SIZE	CODE	DOC. NUMBER	REV
A3	CS	Model No	A01



INVENTEC			
TITLE DDD Discrete MEROM-1			
SIZE A3	CODE CS	DOC. NUMBER <i>Model No</i>	REV A01



PLACE THESE INSIDE SOCKET CAVITY ON L8 (NORTH SIDE SECONDARY)

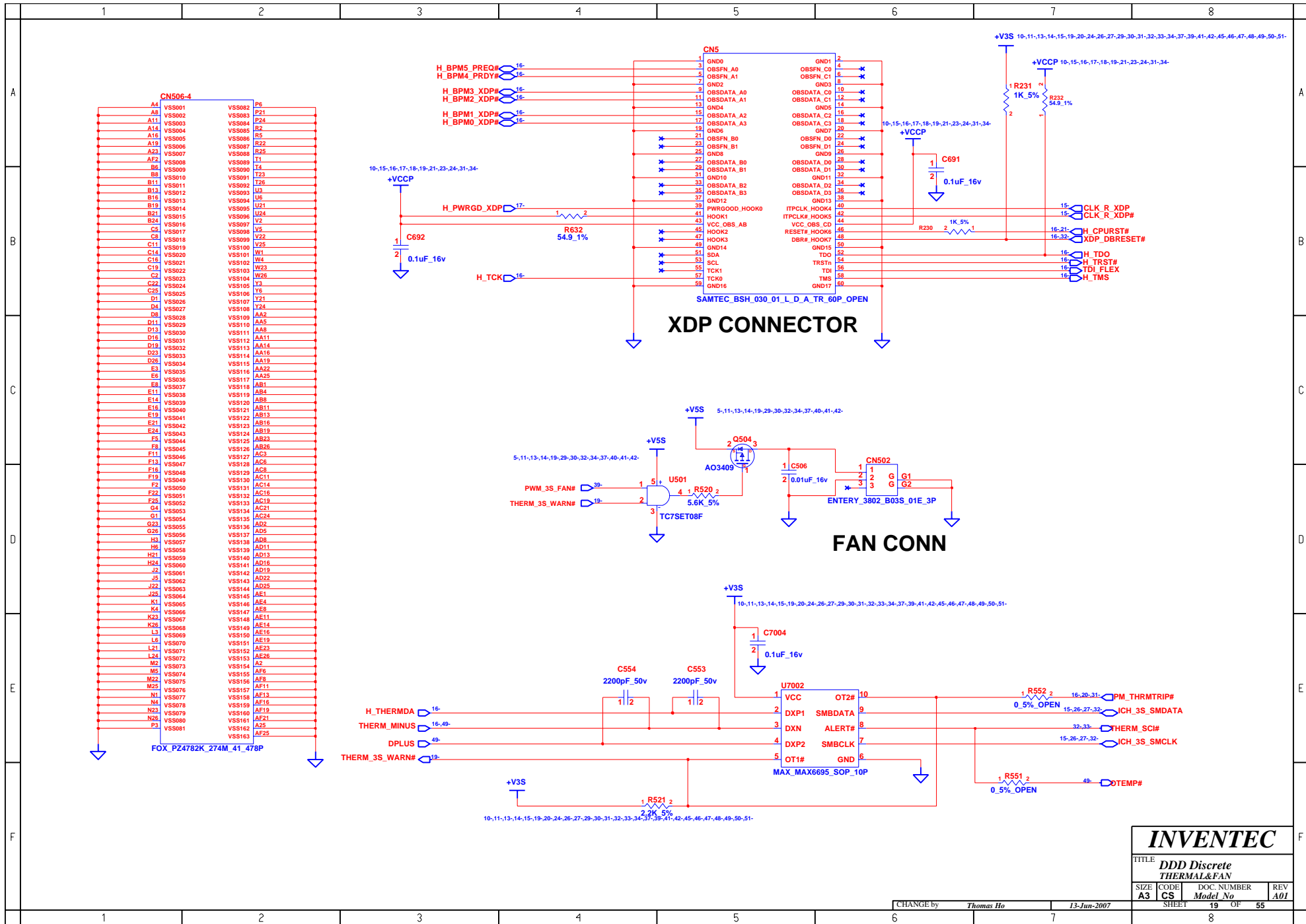


LAYOUT NOTE: PLACE C2461 NEAR PIN B26

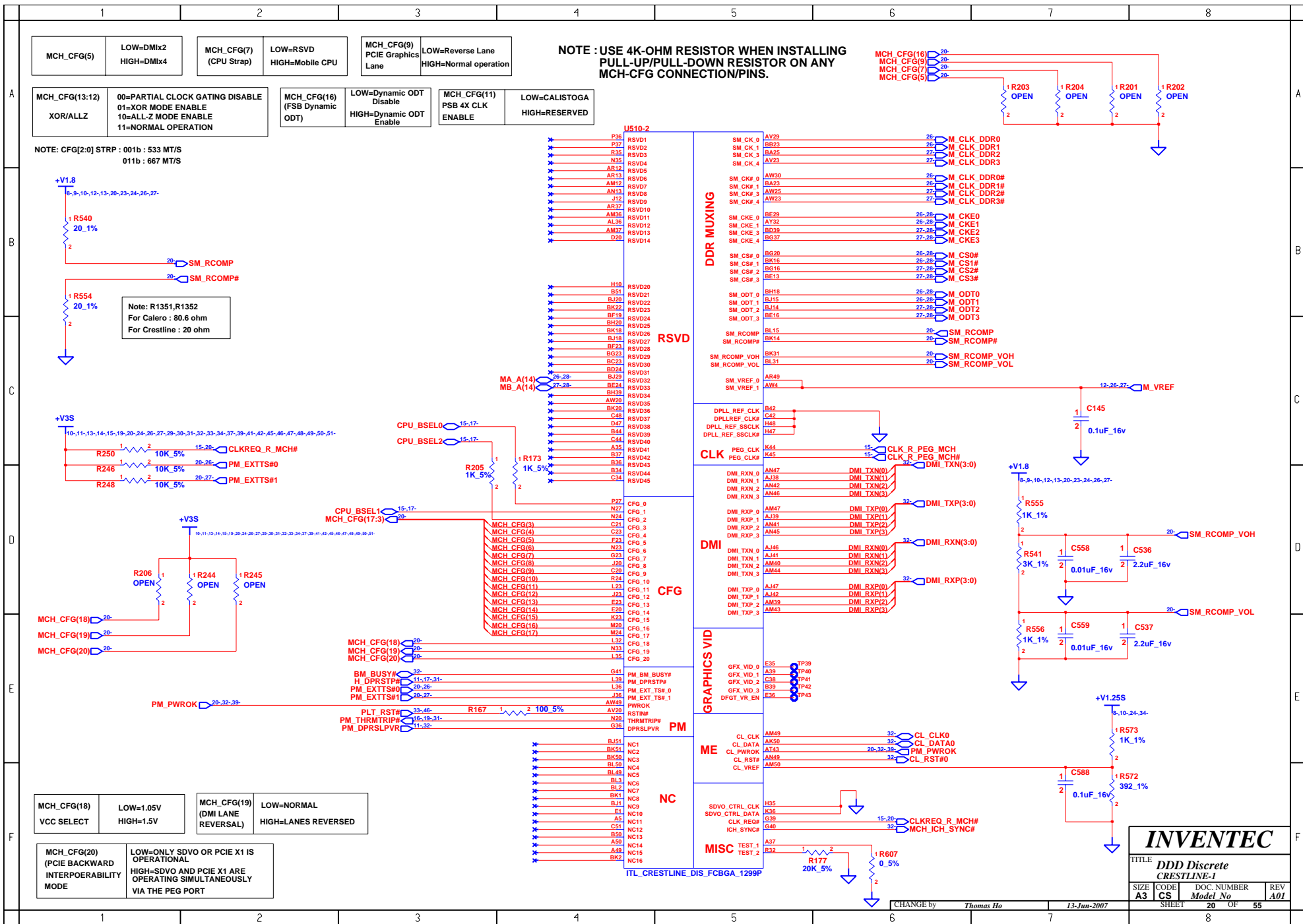
LAYOUT NOTE: ROUTE VCCsense AND VSSsense TRACE AT 24.7 OHM WITH 50 MIL SPACING PLACE PU AND PD WITHIN 1 INCH OF CPU

INVENTEC

TITLE			
DDD Discrete			
MEROM-3			
SIZE	CODE	DOC. NUMBER	REV
A3	CS	Model No	A01



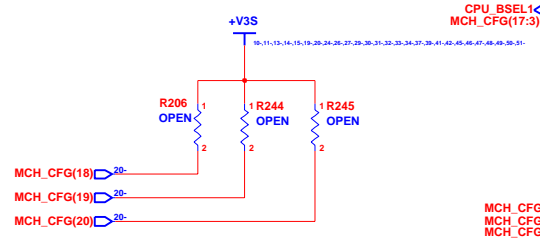
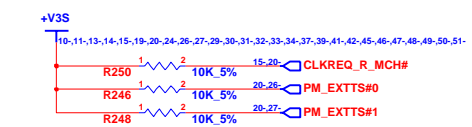
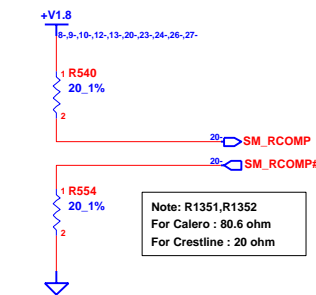
INVENTEC			
TITLE DDD Discrete THERMAL&FAN			
SIZE A3	CODE CS	DOC. NUMBER Model No	REV A01
CHANGE by Thomas Ho		13-Jun-2007	SHEET 19 OF 55



MCH_CFG(5)	LOW=DMiX2 HIGH=DMiX4	MCH_CFG(7) (CPU Strap)	LOW=RSVD HIGH=Mobile CPU	MCH_CFG(9) PCIE Graphics Lane	LOW=Reverse Lane HIGH=Normal operation
MCH_CFG(13:12) XOR/ALLZ	00=PARTIAL CLOCK GATING DISABLE 01=XOR MODE ENABLE 10=ALL-Z MODE ENABLE 11=NORMAL OPERATION	MCH_CFG(16) MCH Dynamic ODT)	LOW=Dynamic ODT Disable HIGH=Dynamic ODT Enable	MCH_CFG(11) PSB 4X CLK ENABLE	LOW=CALISTOGA HIGH=RESERVED

NOTE: USE 4K-OHM RESISTOR WHEN INSTALLING PULL-UP/PULL-DOWN RESISTOR ON ANY MCH-CFG CONNECTION/PINS.

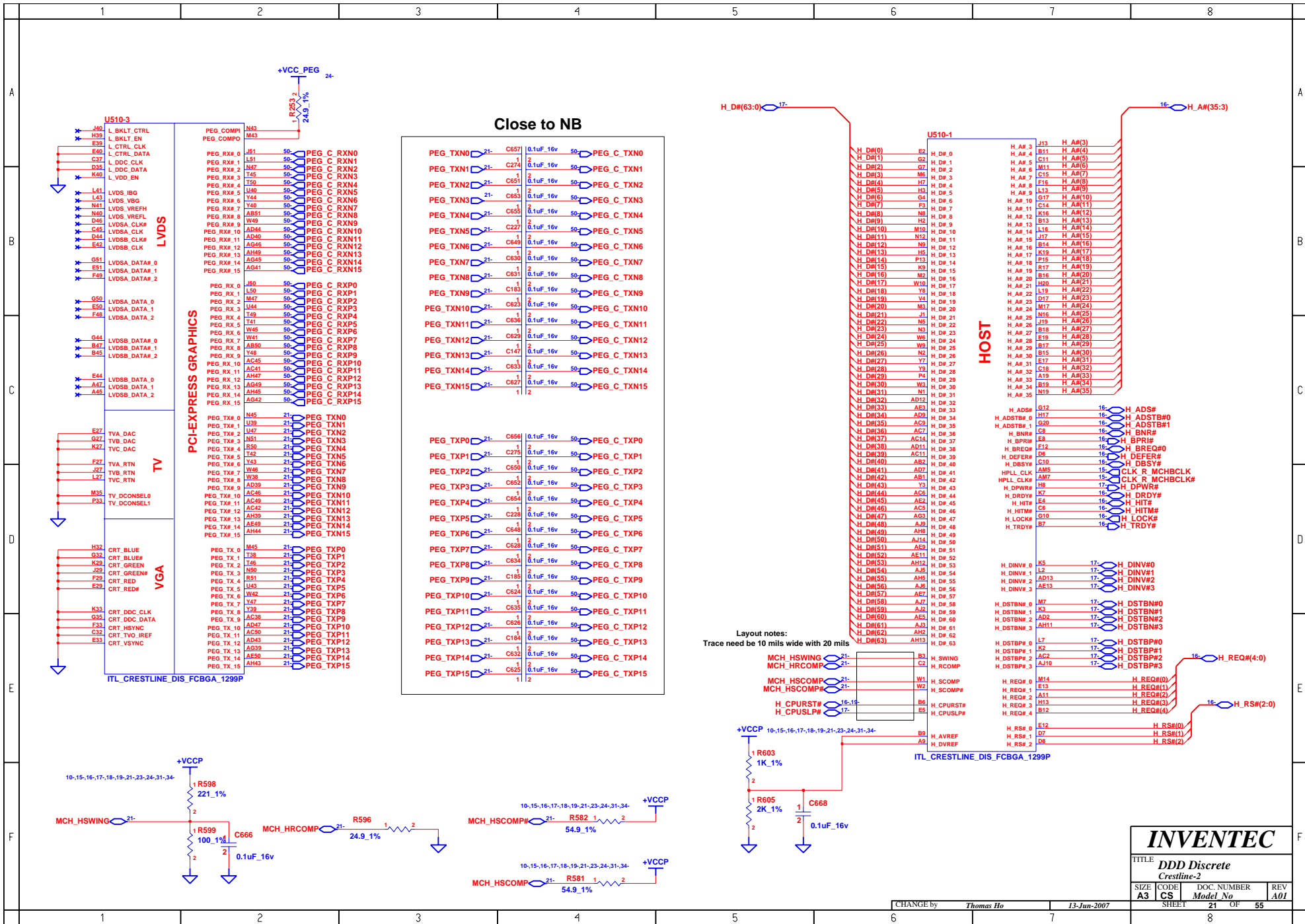
NOTE: CFG[2:0] STRP : 001b : 533 MT/S
011b : 667 MT/S



MCH_CFG(18)	LOW=1.05V HIGH=1.5V	MCH_CFG(19) (DMI LANE REVERSAL)	LOW=NORMAL HIGH=LANES REVERSED
-------------	------------------------	---------------------------------------	-----------------------------------

MCH_CFG(20) PCIE BACKWARD INTERPOERABILITY MODE	LOW=ONLY SDVO OR PCIE X1 IS OPERATIONAL HIGH=SDVO AND PCIE X1 ARE OPERATING SIMULTANEOUSLY VIA THE PEG PORT
--	---

INVENTEC			
TITLE: DDD Discrete CRESTLINE-1			
SIZE: A3	CODE: CS	DOC. NUMBER: Model No	REV: A01
SHEET: 20		OF 55	

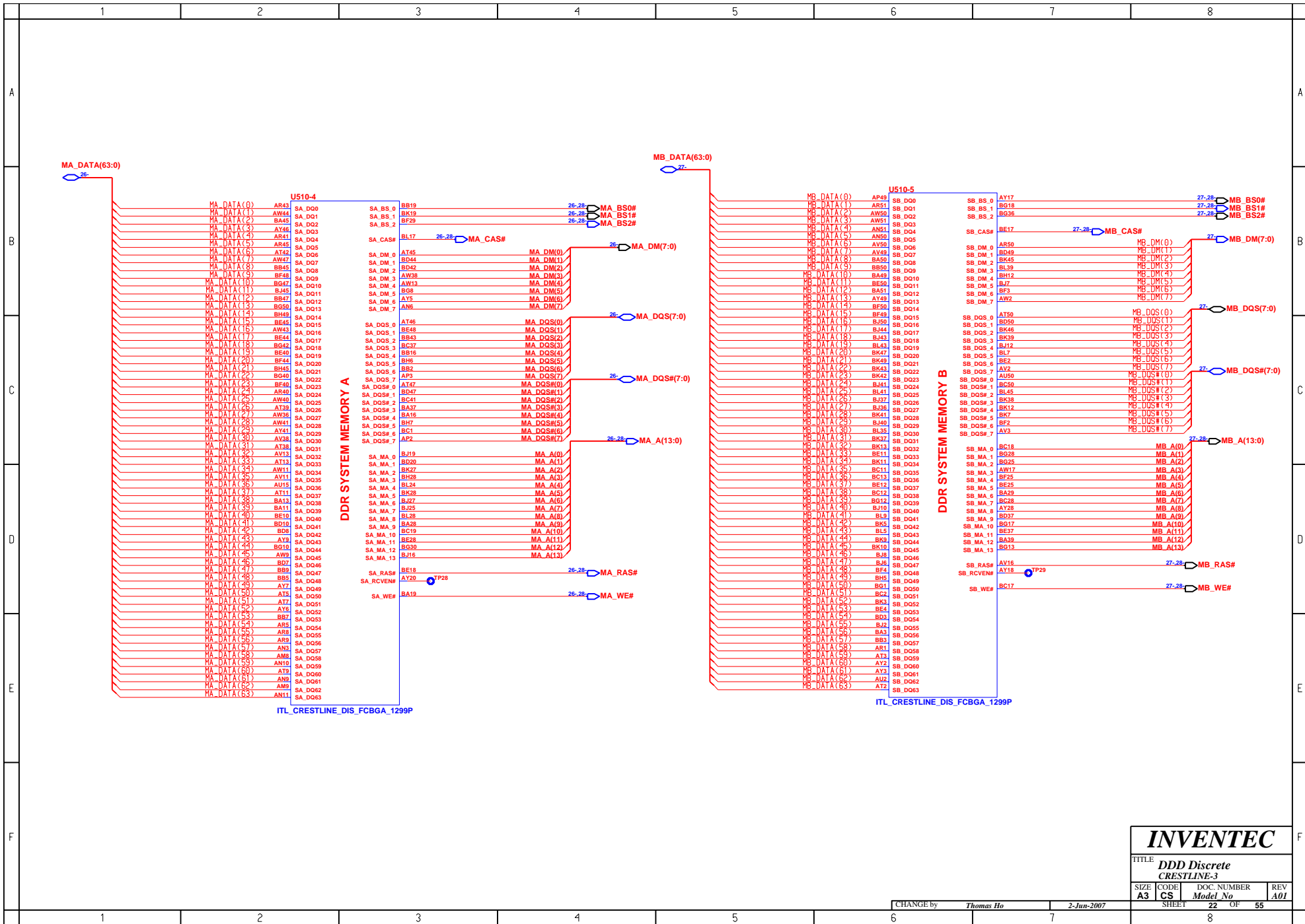


INVENTEC

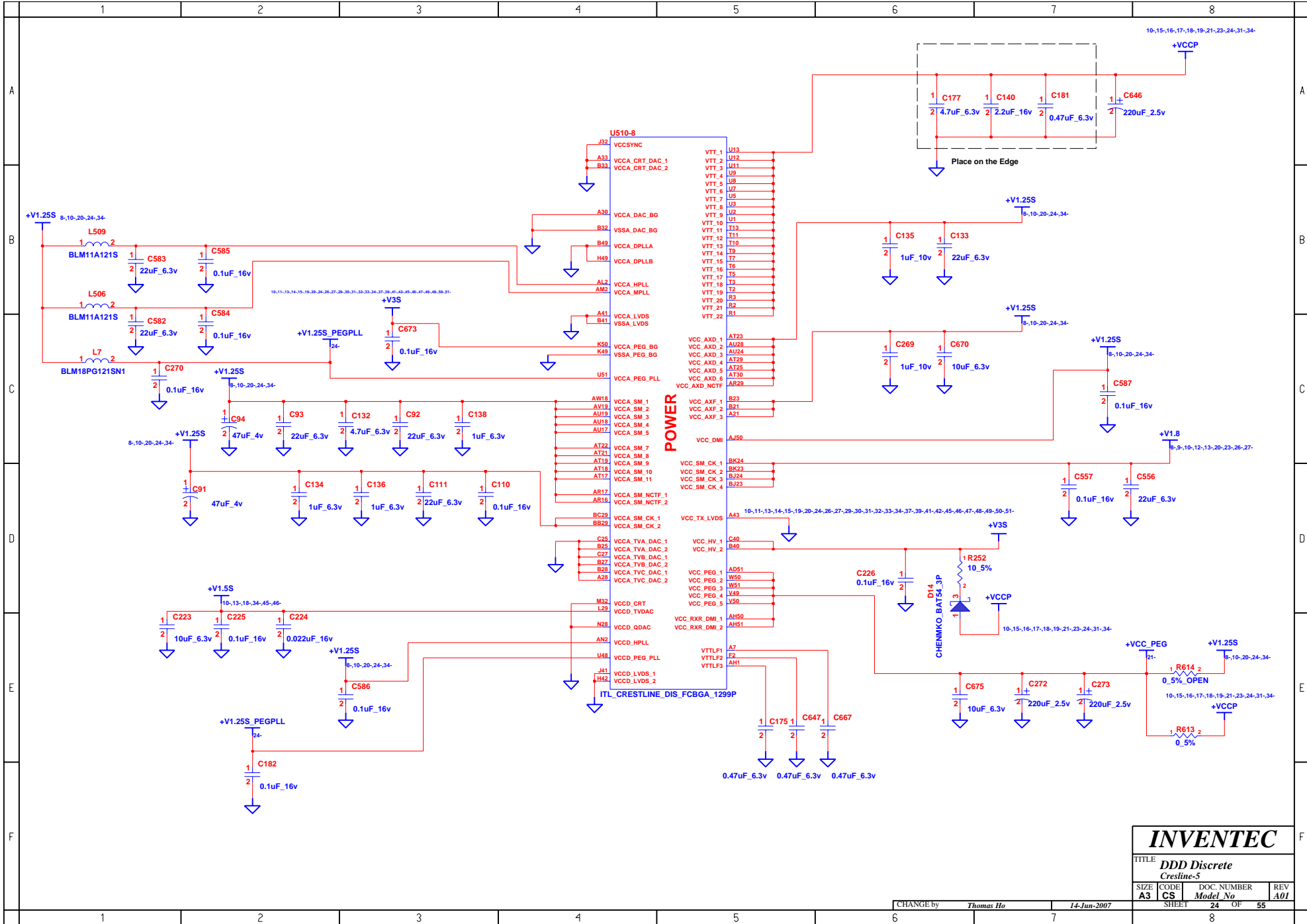
TITLE: **DDD Discrete Crestline-2**

SIZE	CODE	DOC. NUMBER	REV
A3	CS	Model No	A01

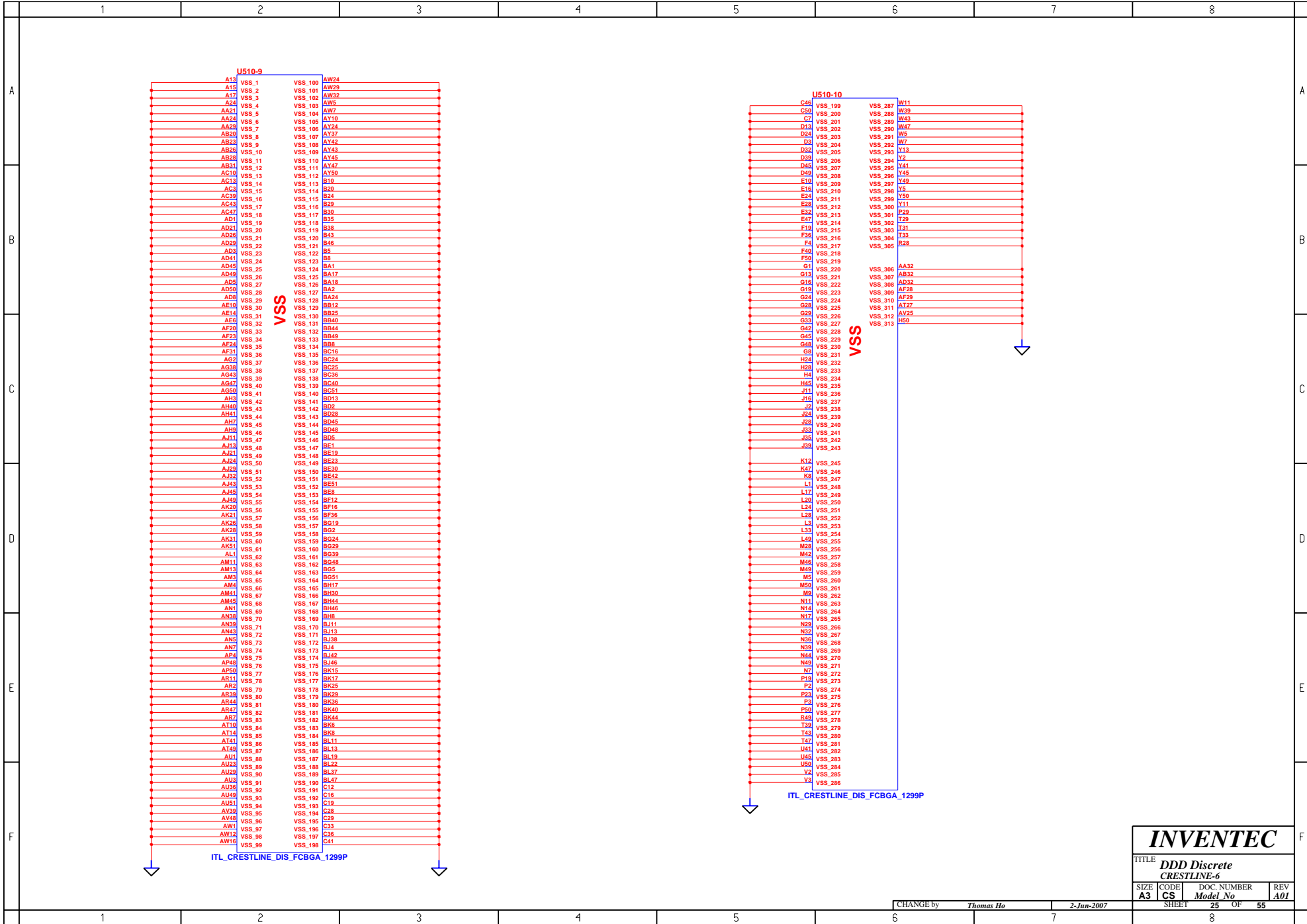
SHEET 21 OF 55



INVENTEC			
TITLE DDD Discrete CRESTLINE-3			
SIZE A3	CODE CS	DOC. NUMBER Model No	REV A01
CHANGE by Thomas Ho		2-Jun-2007	SHEET 22 OF 55



INVENTEC			
TITLE DDD Discrete Crestline-5			
SIZE A3	CODE CS	DOC. NUMBER Model No	REV A01
CHANGE by Thomas Ho		14-Jun-2007	
SHEET 24		OF 55	



U510-9

A13	VSS 1	VSS 100	AW24
A15	VSS 2	VSS 101	AW29
A17	VSS 3	VSS 102	AW32
A24	VSS 4	VSS 103	AW5
AA21	VSS 5	VSS 104	AW7
AA24	VSS 6	VSS 105	AY10
AA28	VSS 7	VSS 106	AY24
AB20	VSS 8	VSS 107	AY37
AB23	VSS 9	VSS 108	AY42
AB26	VSS 10	VSS 109	AY43
AB28	VSS 11	VSS 110	AY45
AB31	VSS 12	VSS 111	AY47
AC10	VSS 13	VSS 112	AY50
AC13	VSS 14	VSS 113	B10
AC3	VSS 15	VSS 114	B20
AC39	VSS 16	VSS 115	B24
AC43	VSS 17	VSS 116	B29
AC47	VSS 18	VSS 117	B30
AD1	VSS 19	VSS 118	B38
AD21	VSS 20	VSS 119	B35
AD26	VSS 21	VSS 120	B43
AD29	VSS 22	VSS 121	B46
AD3	VSS 23	VSS 122	B5
AD41	VSS 24	VSS 123	B8
AD45	VSS 25	VSS 124	BA1
AD49	VSS 26	VSS 125	BA17
AD5	VSS 27	VSS 126	RA18
AD50	VSS 28	VSS 127	BA2
AD9	VSS 29	VSS 128	BA24
AE10	VSS 30	VSS 129	BB12
AE14	VSS 31	VSS 130	BB25
AE6	VSS 32	VSS 131	BB40
AF20	VSS 33	VSS 132	BB44
AF23	VSS 34	VSS 133	BB49
AF24	VSS 35	VSS 134	BB3
AF31	VSS 36	VSS 135	BC16
AG2	VSS 37	VSS 136	BC24
AG38	VSS 38	VSS 137	BC25
AG43	VSS 39	VSS 138	BC36
AG47	VSS 40	VSS 139	BC40
AG50	VSS 41	VSS 140	BC51
AH3	VSS 42	VSS 141	BD13
AH40	VSS 43	VSS 142	BD2
AH41	VSS 44	VSS 143	BD28
AH7	VSS 45	VSS 144	BD45
AH8	VSS 46	VSS 145	BD48
AJ11	VSS 47	VSS 146	BD5
AJ13	VSS 48	VSS 147	BE1
AJ21	VSS 49	VSS 148	BE19
AJ24	VSS 50	VSS 149	BE23
AJ29	VSS 51	VSS 150	BE30
AJ32	VSS 52	VSS 151	BE42
AJ43	VSS 53	VSS 152	BE9
AJ45	VSS 54	VSS 153	BF12
AJ49	VSS 55	VSS 154	BF12
AK20	VSS 56	VSS 155	BF16
AK21	VSS 57	VSS 156	BF36
AK26	VSS 58	VSS 157	BG19
AK28	VSS 59	VSS 158	BG2
AK31	VSS 60	VSS 159	BG24
AK51	VSS 61	VSS 160	BG29
AL1	VSS 62	VSS 161	BG39
AM11	VSS 63	VSS 162	BG48
AM13	VSS 64	VSS 163	BG5
AM3	VSS 65	VSS 164	BH1
AM4	VSS 66	VSS 165	BH17
AM41	VSS 67	VSS 166	BH30
AM45	VSS 68	VSS 167	BH44
AM1	VSS 69	VSS 168	BH46
AN38	VSS 70	VSS 169	BH8
AN39	VSS 71	VSS 170	BJ11
AN43	VSS 72	VSS 171	BJ13
AN5	VSS 73	VSS 172	BJ38
AN7	VSS 74	VSS 173	BJ4
AP4	VSS 75	VSS 174	BJ42
AP48	VSS 76	VSS 175	BJ46
AP50	VSS 77	VSS 176	BK15
AR11	VSS 78	VSS 177	BK17
AR2	VSS 79	VSS 178	BK25
AR38	VSS 80	VSS 179	BK29
AR44	VSS 81	VSS 180	BK36
AR47	VSS 82	VSS 181	BK40
AR7	VSS 83	VSS 182	BK44
AT10	VSS 84	VSS 183	BK5
AT14	VSS 85	VSS 184	BK3
AT41	VSS 86	VSS 185	BL11
AT49	VSS 87	VSS 186	BL13
AU1	VSS 88	VSS 187	BL19
AU23	VSS 89	VSS 188	BL22
AU29	VSS 90	VSS 189	BL37
AU3	VSS 91	VSS 190	BL47
AU36	VSS 92	VSS 191	C12
AU49	VSS 93	VSS 192	C16
AU51	VSS 94	VSS 193	C19
AV38	VSS 95	VSS 194	C28
AV48	VSS 96	VSS 195	C29
AW1	VSS 97	VSS 196	C33
AW12	VSS 98	VSS 197	C36
AW16	VSS 99	VSS 198	C41

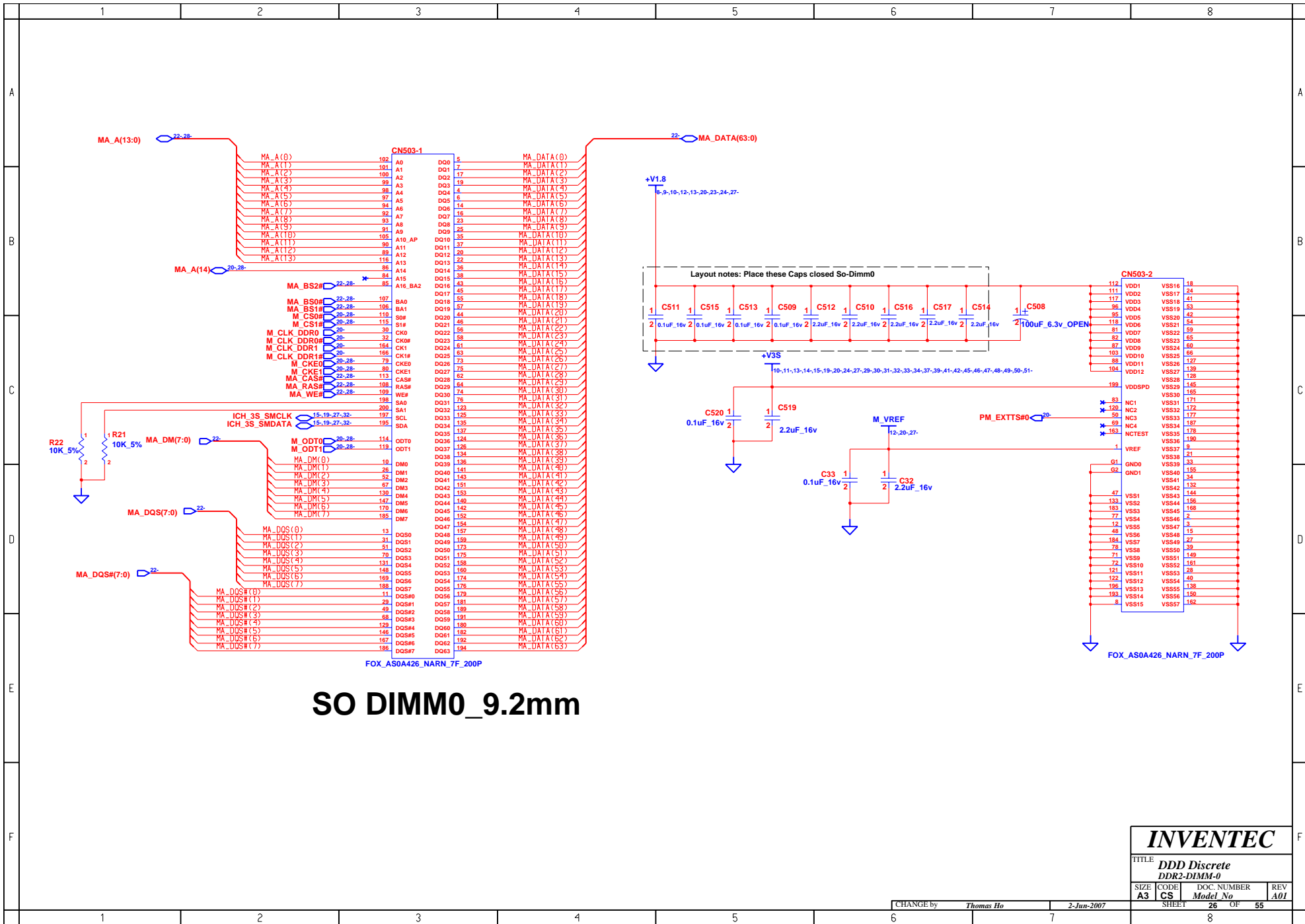
ITL_CRESTLINE_DIS_FCBGA_1299P

U510-10

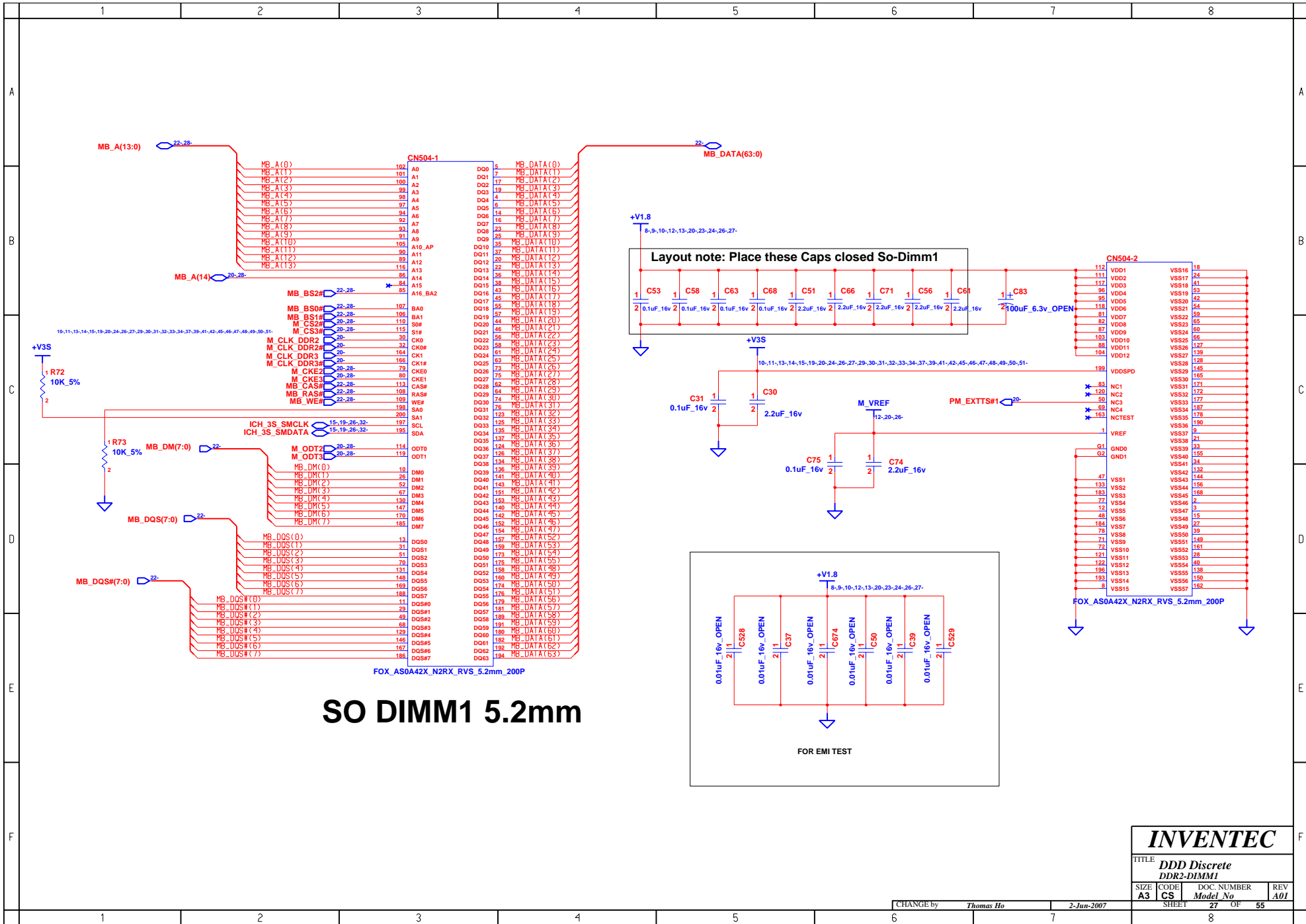
C46	VSS 199	VSS 287	W11
C50	VSS 200	VSS 288	W39
C7	VSS 201	VSS 289	W43
D13	VSS 202	VSS 290	W47
D24	VSS 203	VSS 291	W5
D3	VSS 204	VSS 292	W7
D32	VSS 205	VSS 293	Y13
D39	VSS 206	VSS 294	Y2
D45	VSS 207	VSS 295	Y41
D49	VSS 208	VSS 296	Y45
E10	VSS 209	VSS 297	Y49
E16	VSS 210	VSS 298	Y5
E24	VSS 211	VSS 299	Y50
E28	VSS 212	VSS 300	Y11
E32	VSS 213	VSS 301	Z29
E47	VSS 214	VSS 302	Z29
F19	VSS 215	VSS 303	I31
F36	VSS 216	VSS 304	I33
F4	VSS 217	VSS 305	R28
F40	VSS 218		
F50	VSS 219		
G1	VSS 220	VSS 306	AA32
G13	VSS 221	VSS 307	AB32
G16	VSS 222	VSS 308	AD32
G19	VSS 223	VSS 309	AF28
G24	VSS 224	VSS 310	AF29
G28	VSS 225	VSS 311	AT27
G29	VSS 226	VSS 312	AV25
G33	VSS 227	VSS 313	H50
G42	VSS 228		
G45	VSS 229		
G48	VSS 230		
G8	VSS 231		
H24	VSS 232		
H28	VSS 233		
H4	VSS 234		
H45	VSS 235		
J1	VSS 236		
J16	VSS 237		
J2	VSS 238		
J24	VSS 239		
J28	VSS 240		
J33	VSS 241		
J35	VSS 242		
J38	VSS 243		
K12	VSS 245		
K47	VSS 246		
K9	VSS 247		
L1	VSS 248		
L17	VSS 249		
L20	VSS 250		
L24	VSS 251		
L28	VSS 252		
L3	VSS 253		
L33	VSS 254		
L49	VSS 255		
M28	VSS 256		
M42	VSS 257		
M46	VSS 258		
M49	VSS 259		
M5	VSS 260		
M50	VSS 261		
M9	VSS 262		
N11	VSS 263		
N14	VSS 264		
N17	VSS 265		
N29	VSS 266		
N32	VSS 267		
N36	VSS 268		
N39	VSS 269		
N44	VSS 270		
N49	VSS 271		
N7	VSS 272		
P19	VSS 273		
P2	VSS 274		
P23	VSS 275		
P3	VSS 276		
P50	VSS 277		
R49	VSS 278		
R36	VSS 279		
T43	VSS 280		
T47	VSS 281		
U41	VSS 282		
U45	VSS 283		
U50	VSS 284		
V2	VSS 285		
V3	VSS 286		

ITL_CRESTLINE_DIS_FCBGA_1299P

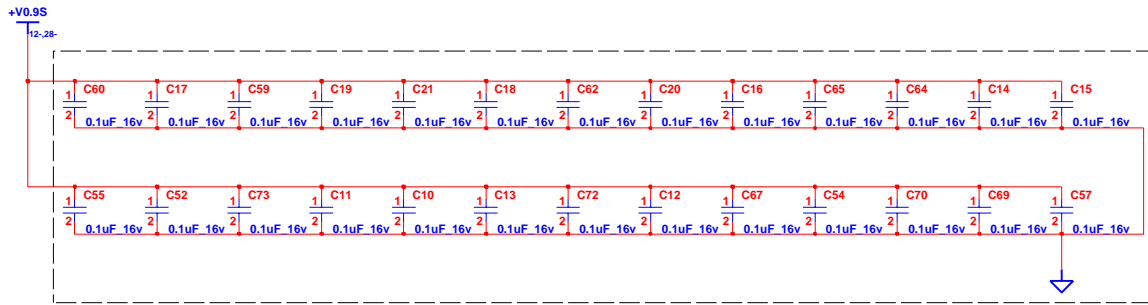
INVENTEC				
TITLE DDD Discrete CRESTLINE-6				
SIZE	CODE	DOC. NUMBER	REV	
A3	CS	Model No	A01	
CHANGE by			Thomas Ho	2-Jun-2007
SHEET			25	OF 55
1			8	



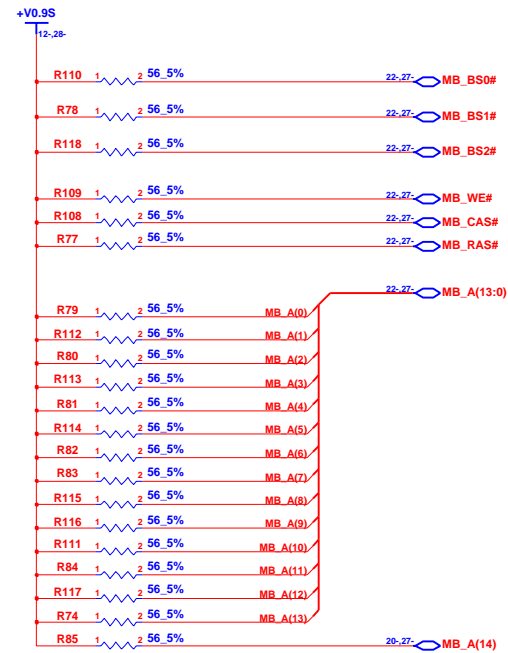
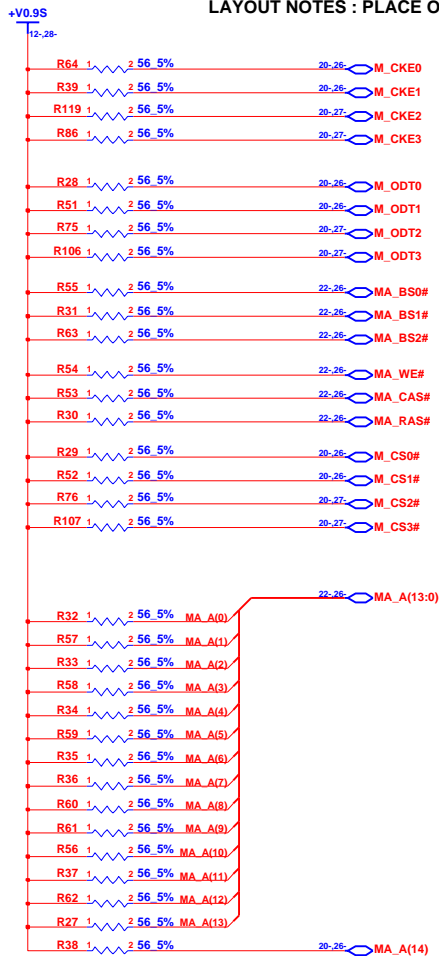
INVENTEC			
TITLE DDD Discrete DDR2-DIMM-0			
SIZE A3	CODE CS	DOC. NUMBER Model No	REV A01
CHANGE by Thomas Ho		2-Jun-2007	
SHEET 26		OF 55	



INVENTEC			
TITLE DDD Discrete DDR2-DIMM1			
SIZE A3	CODE CS	DOC. NUMBER Model No	REV A01
CHANGE by Thomas Ho		2-Jun-2007	
SHEET 27		OF 55	



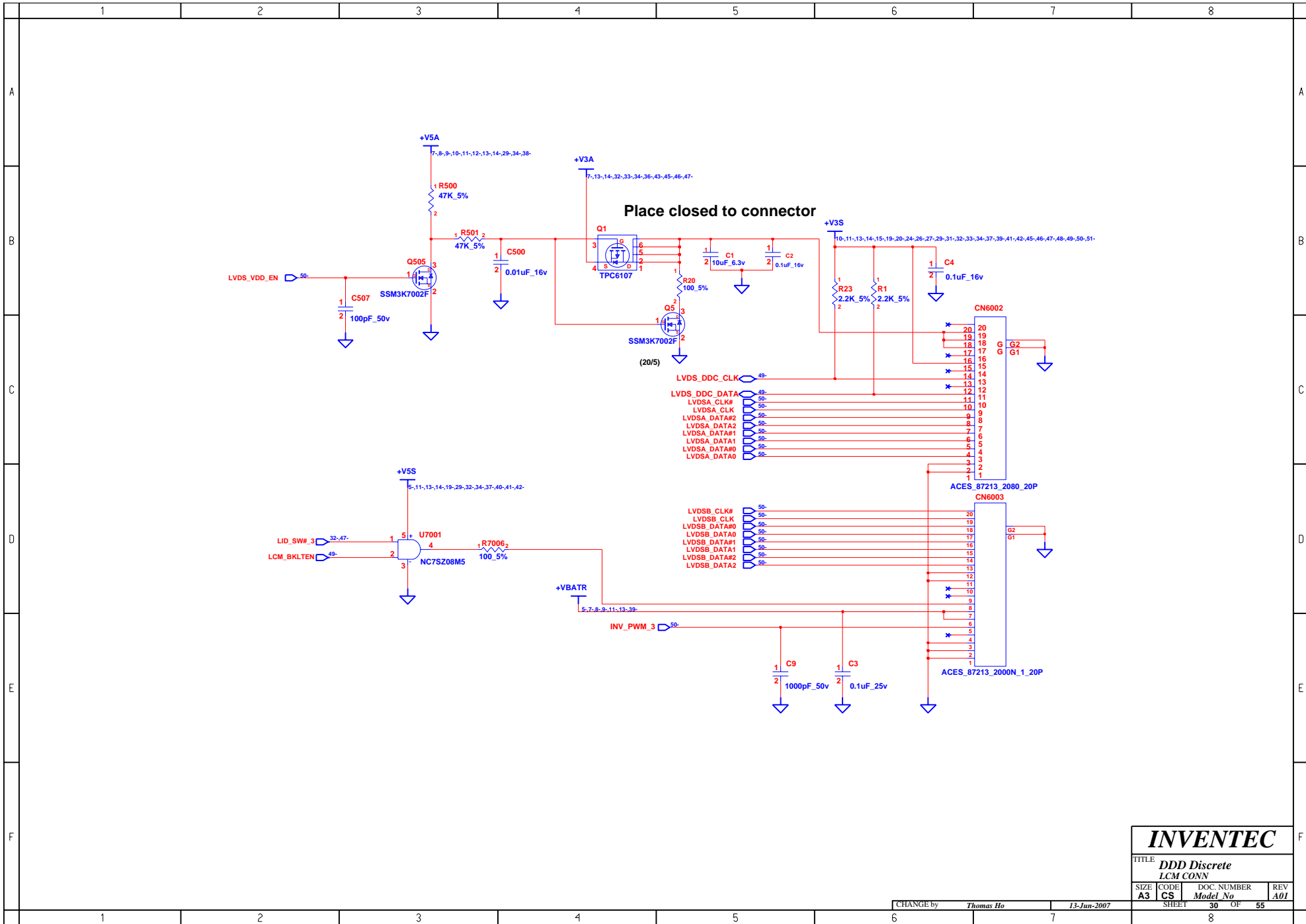
LAYOUT NOTES : PLACE ONE CAP CLOSE TO EVERY 2 PULL UP RESISTOR TERMINATED TO +V0.9S



INVENTEC

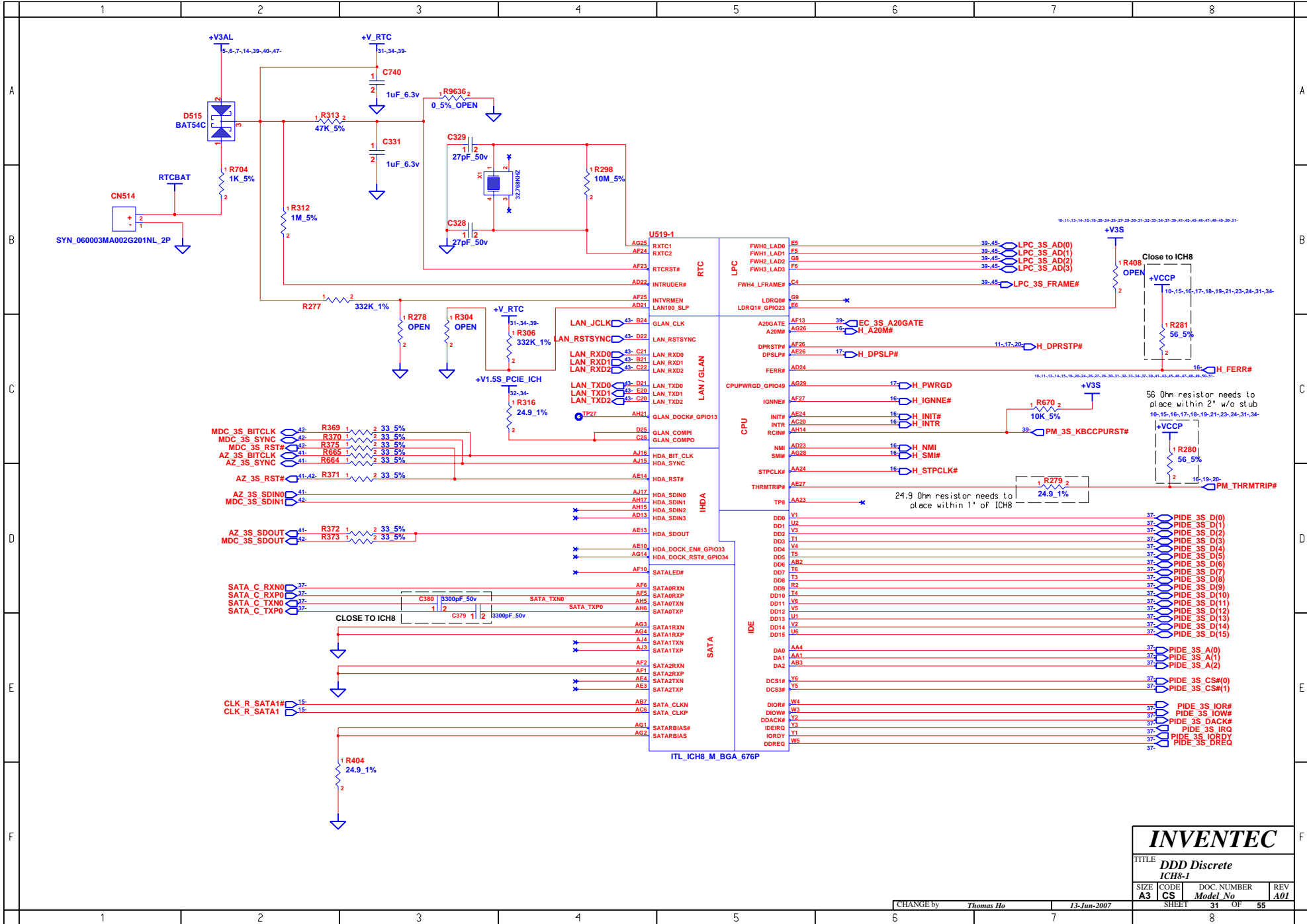
TITLE			
DDD Discrete			
DDR2-DAMPING			
SIZE	CODE	DOC NUMBER	REV
A3	CS	Model No	X01
SHEET		28	OF 55

CHANGE by Thomas Ho 27-Sep-2003

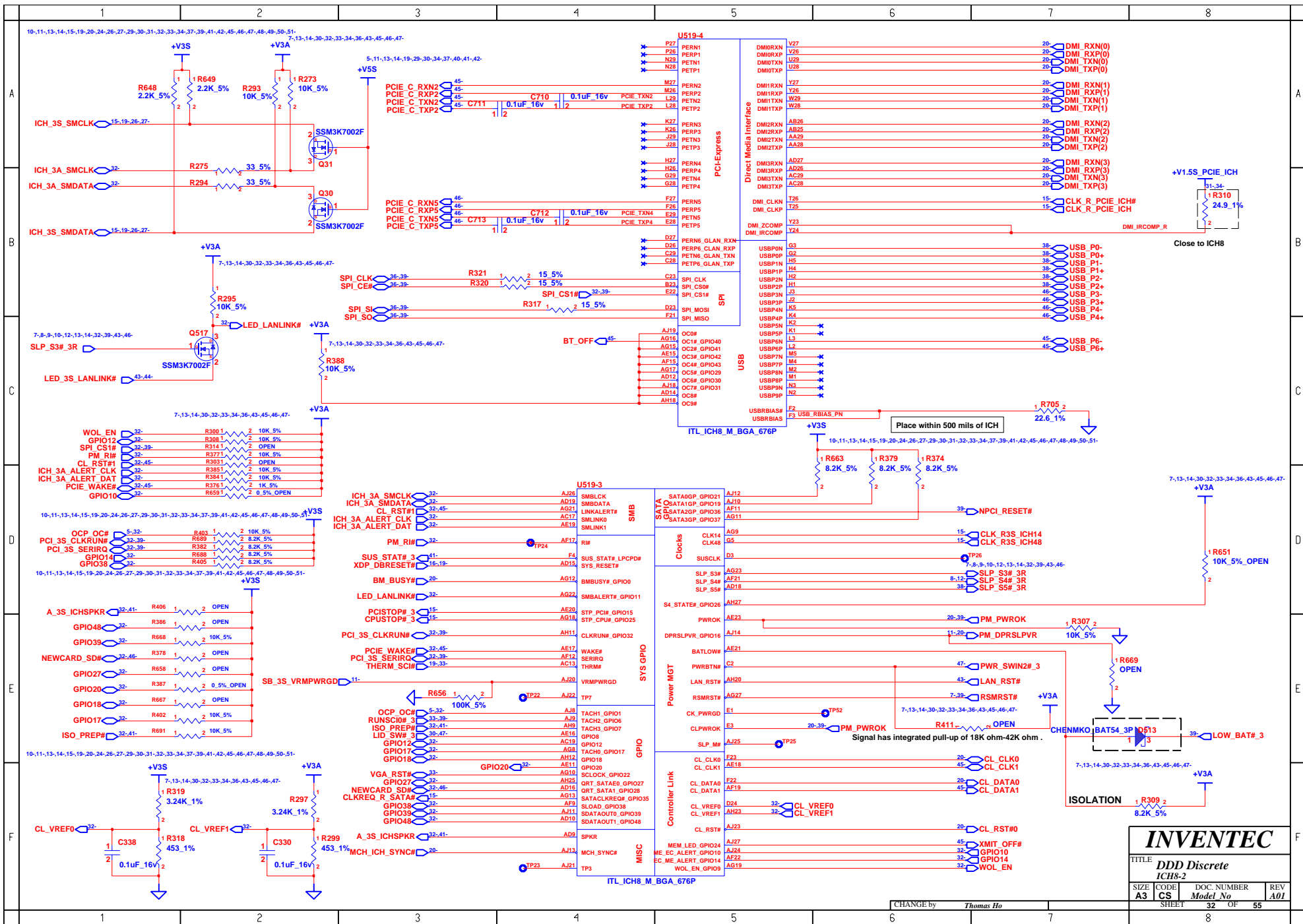


INVENTEC

TITLE			
DDD Discrete			
LCM CONN			
SIZE	CODE	DOC. NUMBER	REV
A3	CS	<i>Model No</i>	A01



INVENTEC			
TITLE DDD Discrete IC8S-1			
SIZE A3	CODE CS	DOC. NUMBER Model No	REV A01
CHANGE by Thomas Ho		13-Jun-2007	
SHEET 31		OF 55	



INVENTEC

TITLE DDD Discrete ICH8-2			
SIZE A3	CODE CS	DOC. NUMBER Model No	REV A01
SHEET 32		OF 55	

CHANGE by *Thomas Ho*

	1	2	3	4	5	6	7	8	
A									A
B									B
C									C
D									D
E									E
F									F

U519-5

AA2	VSS001	VSS099	K7
AA	VSS002	VSS100	L1
AA2	VSS003	VSS101	L13
AA7	VSS004	VSS102	L15
AA8	VSS005	VSS103	L26
AB1	VSS006	VSS104	L27
AB24	VSS007	VSS105	L4
AC11	VSS008	VSS106	L5
AC14	VSS009	VSS107	M12
AC25	VSS010	VSS108	M13
AC28	VSS011	VSS109	M14
AC27	VSS012	VSS110	M15
AD17	VSS013	VSS111	M16
AD26	VSS014	VSS112	M17
AD28	VSS015	VSS113	M23
AD29	VSS016	VSS114	M28
AD1	VSS017	VSS115	M3
AD1	VSS018	VSS116	M3
AD5	VSS019	VSS117	N1
AE1	VSS020	VSS118	N11
AE15	VSS021	VSS119	N12
AE2	VSS022	VSS120	N13
AE22	VSS023	VSS121	N14
AD1	VSS024	VSS122	N15
AE24	VSS025	VSS123	N16
AE3	VSS026	VSS124	N17
AE5	VSS027	VSS125	N18
AE9	VSS028	VSS126	N26
AF14	VSS029	VSS127	N27
AF16	VSS030	VSS128	N4
AF18	VSS031	VSS129	N5
AF1	VSS032	VSS130	N6
AF4	VSS033	VSS131	P12
AG5	VSS034	VSS132	P13
AG6	VSS035	VSS133	P14
AH10	VSS036	VSS134	P15
AH13	VSS037	VSS135	P16
AH16	VSS038	VSS136	P17
AH19	VSS039	VSS137	P23
AH2	VSS040	VSS138	P28
AF28	VSS041	VSS139	P29
AH22	VSS042	VSS140	R11
AH24	VSS043	VSS141	R12
AH25	VSS044	VSS142	R13
AH3	VSS045	VSS143	R14
AH1	VSS046	VSS144	R15
AH5	VSS047	VSS145	R16
AH5	VSS048	VSS146	R17
B11	VSS049	VSS147	R18
B14	VSS050	VSS148	R28
B17	VSS051	VSS149	R4
B4	VSS052	VSS150	T12
B20	VSS053	VSS151	T13
B22	VSS054	VSS152	T14
B5	VSS055	VSS153	T15
C24	VSS056	VSS154	T16
C28	VSS057	VSS155	T17
C27	VSS058	VSS156	T2
C5	VSS059	VSS157	U12
D12	VSS060	VSS158	U13
D15	VSS061	VSS159	U14
D18	VSS062	VSS160	U15
D1	VSS063	VSS161	U16
D4	VSS064	VSS162	U17
E21	VSS065	VSS163	U23
E24	VSS066	VSS164	U26
E4	VSS067	VSS165	U27
E9	VSS068	VSS166	U3
F14	VSS069	VSS167	U5
E24	VSS070	VSS168	V13
F28	VSS071	VSS169	V15
F29	VSS072	VSS170	V28
F7	VSS073	VSS171	V29
G1	VSS074	VSS172	W2
E4	VSS075	VSS173	W26
G10	VSS076	VSS174	W27
G13	VSS077	VSS175	Y28
G19	VSS078	VSS176	Y29
G25	VSS079	VSS177	Y4
G25	VSS080	VSS178	AB4
G25	VSS081	VSS179	AB23
G27	VSS082	VSS180	AB5
H25	VSS083	VSS181	AB6
H28	VSS084	VSS182	AD5
H28	VSS085	VSS183	U4
H3	VSS086	VSS184	W24
HE	VSS087	VSS_NCTF_01	A1
J1	VSS088	VSS_NCTF_02	A2
J28	VSS089	VSS_NCTF_03	A28
J28	VSS090	VSS_NCTF_04	A29
J27	VSS091	VSS_NCTF_05	AH1
J4	VSS092	VSS_NCTF_06	AH29
J4	VSS093	VSS_NCTF_07	AJ1
K25	VSS094	VSS_NCTF_08	AJ2
K28	VSS095	VSS_NCTF_09	AJ28
K29	VSS096	VSS_NCTF_10	AJ29
K8	VSS097	VSS_NCTF_011	B1
K8	VSS098	VSS_NCTF_012	B29

ITL_ICH8_M_BGA_676P

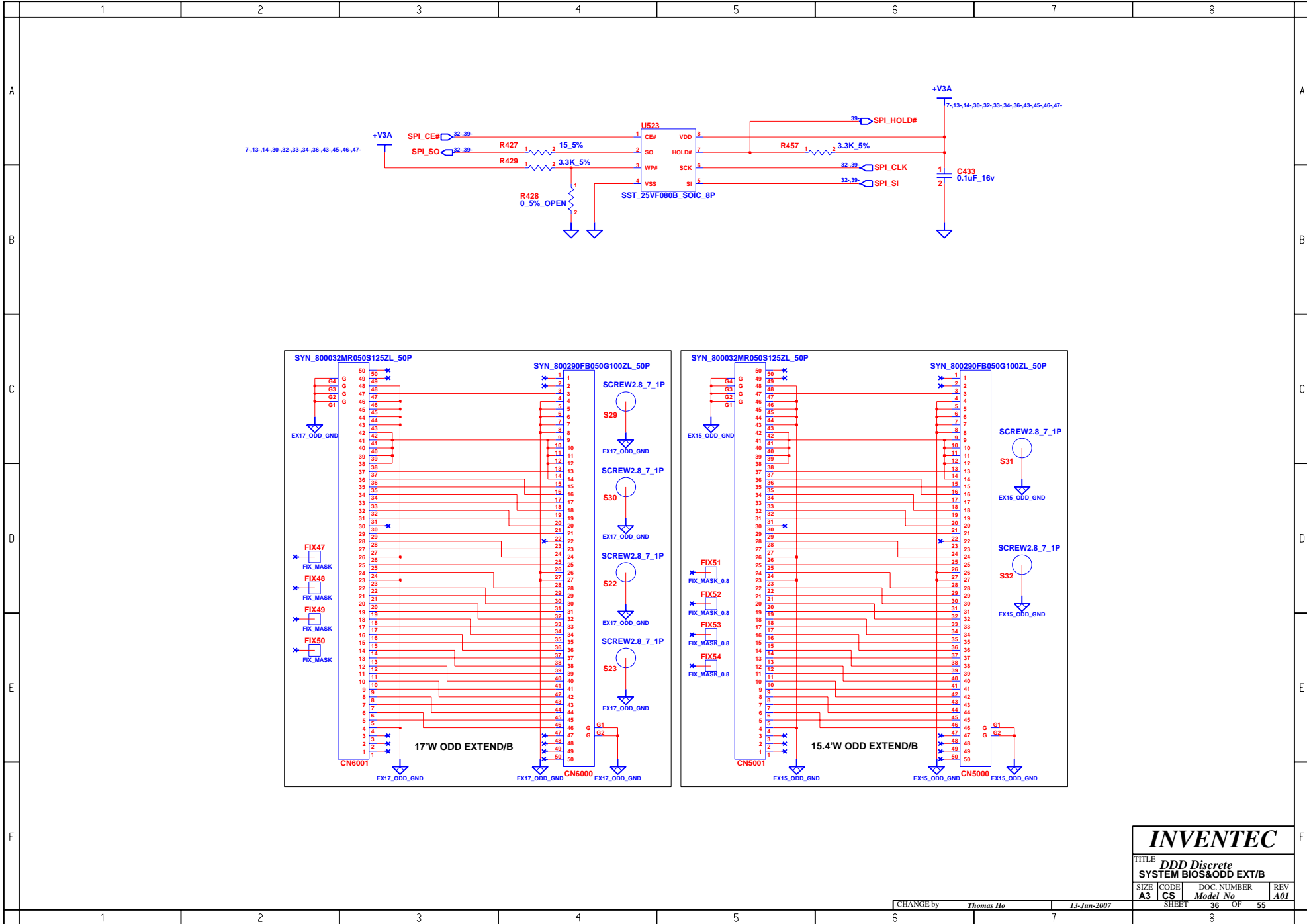
48- ICHGND1
48- ICHGND4
48- ICHGND7
48- ICHGND10

INVENTEC

TITLE **DDD Discrete**
ICH8-5

SIZE	CODE	DOC. NUMBER	REV
A3	CS	Model No	A01

SHEET 35 OF 55

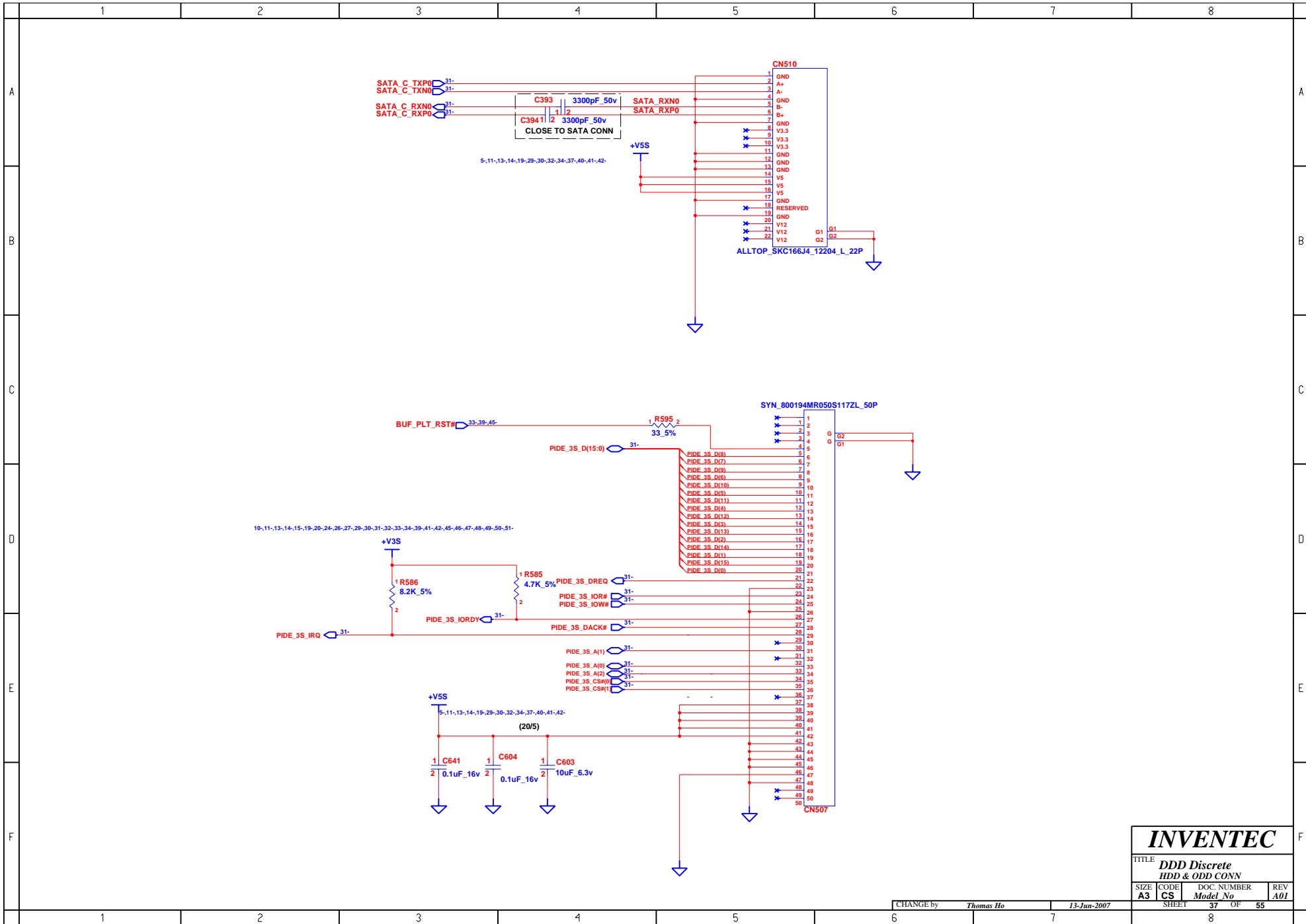


INVENTEC

TITLE			
DDD Discrete			
SYSTEM BIOS&ODD EXT/B			
SIZE	CODE	DOC. NUMBER	REV
A3	CS	Model No	A01

CHANGE by Thomas Ho 13-Jun-2007

SHEET 36 OF 55

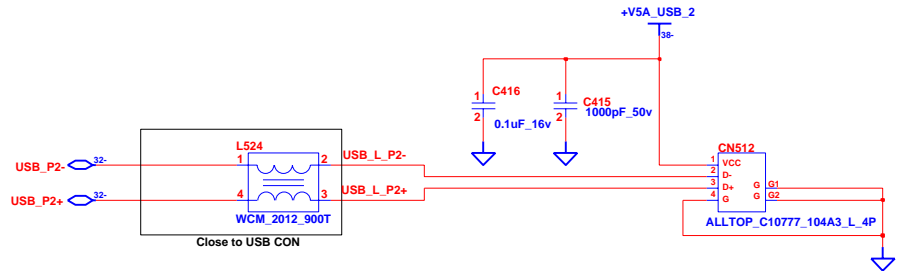
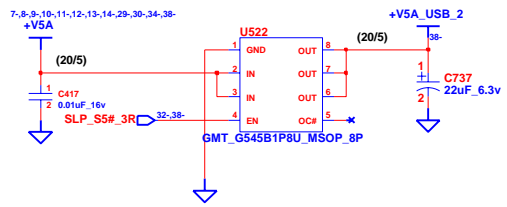
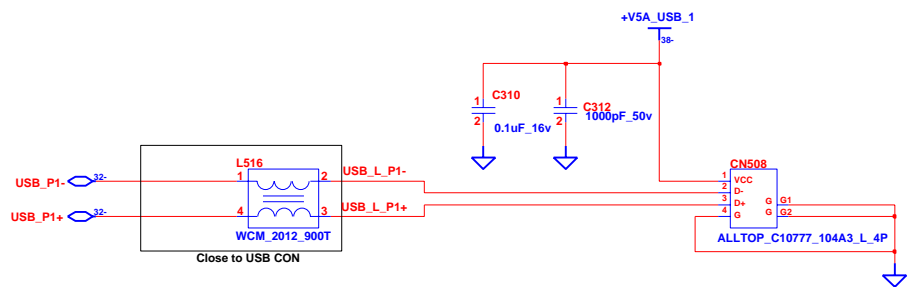
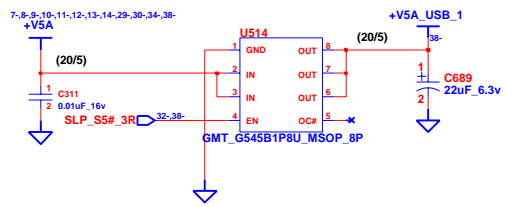
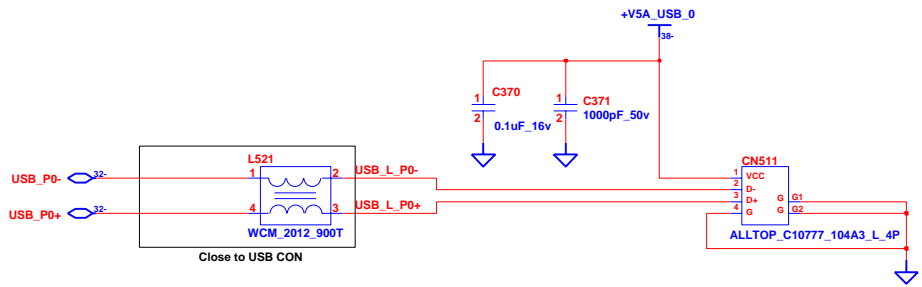
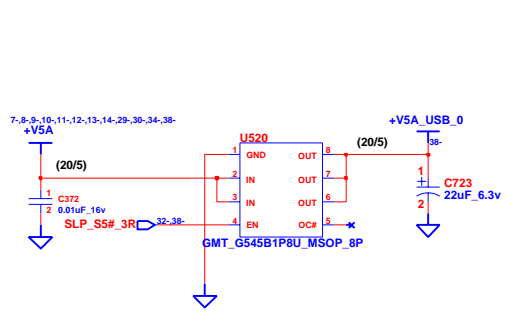


INVENTEC

TITLE
**DDD Discrete
 HDD & ODD CONN**

SIZE A3	CODE CS	DOC. NUMBER <i>Model No</i>	REV A01
-------------------	-------------------	--------------------------------	-------------------

CHANGE by *Thomas Ho* 13-Jun-2007 SHEET 37 OF 55

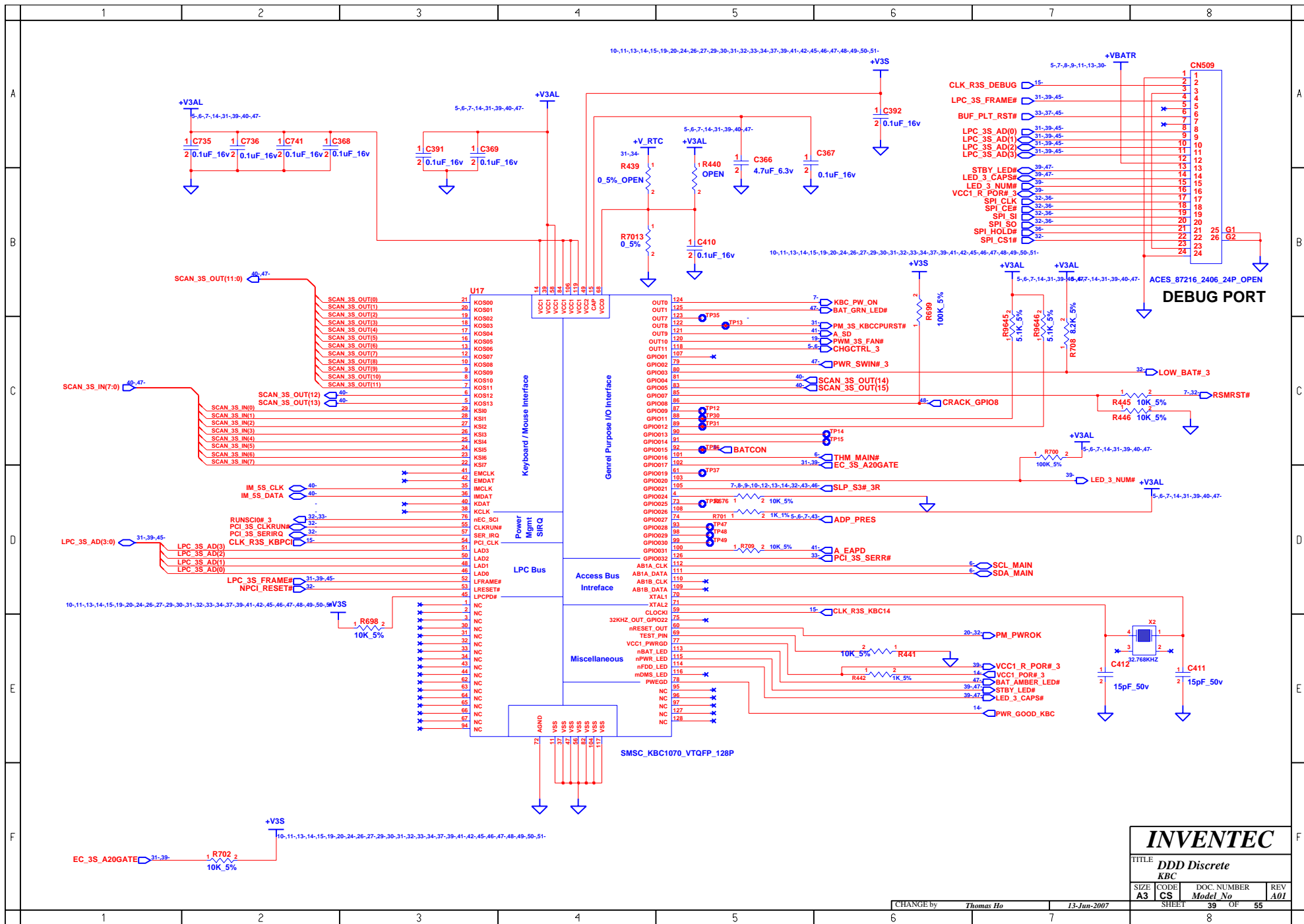


Close to USB CON

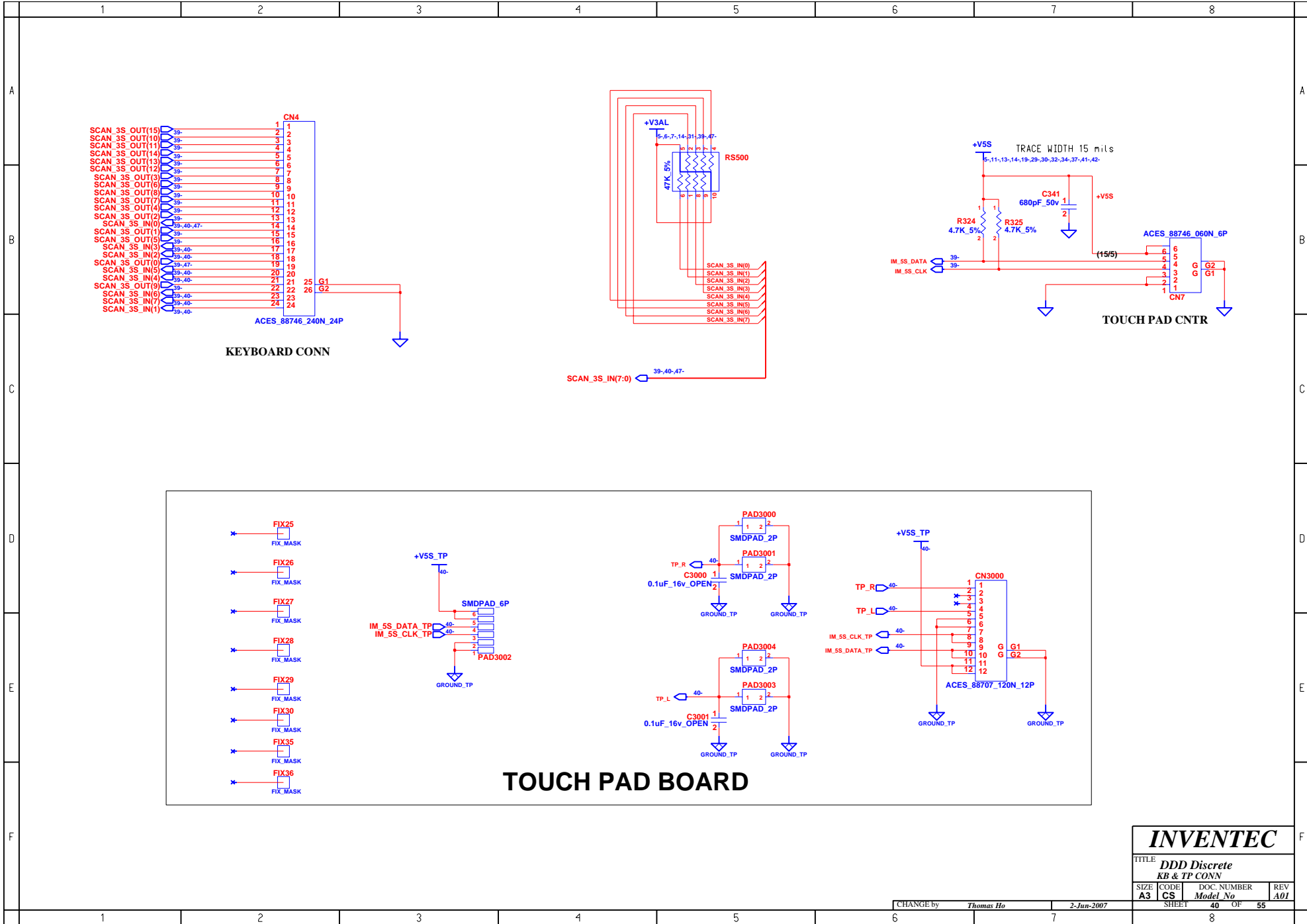
INVENTEC

TITLE			
DDD Discrete			
USB CONN			
SIZE	CODE	DOC. NUMBER	REV
A3	CS	Model No	A01
SHEET		OF	
38		55	

CHANGE by Thomas Ho 2-Jun-2007

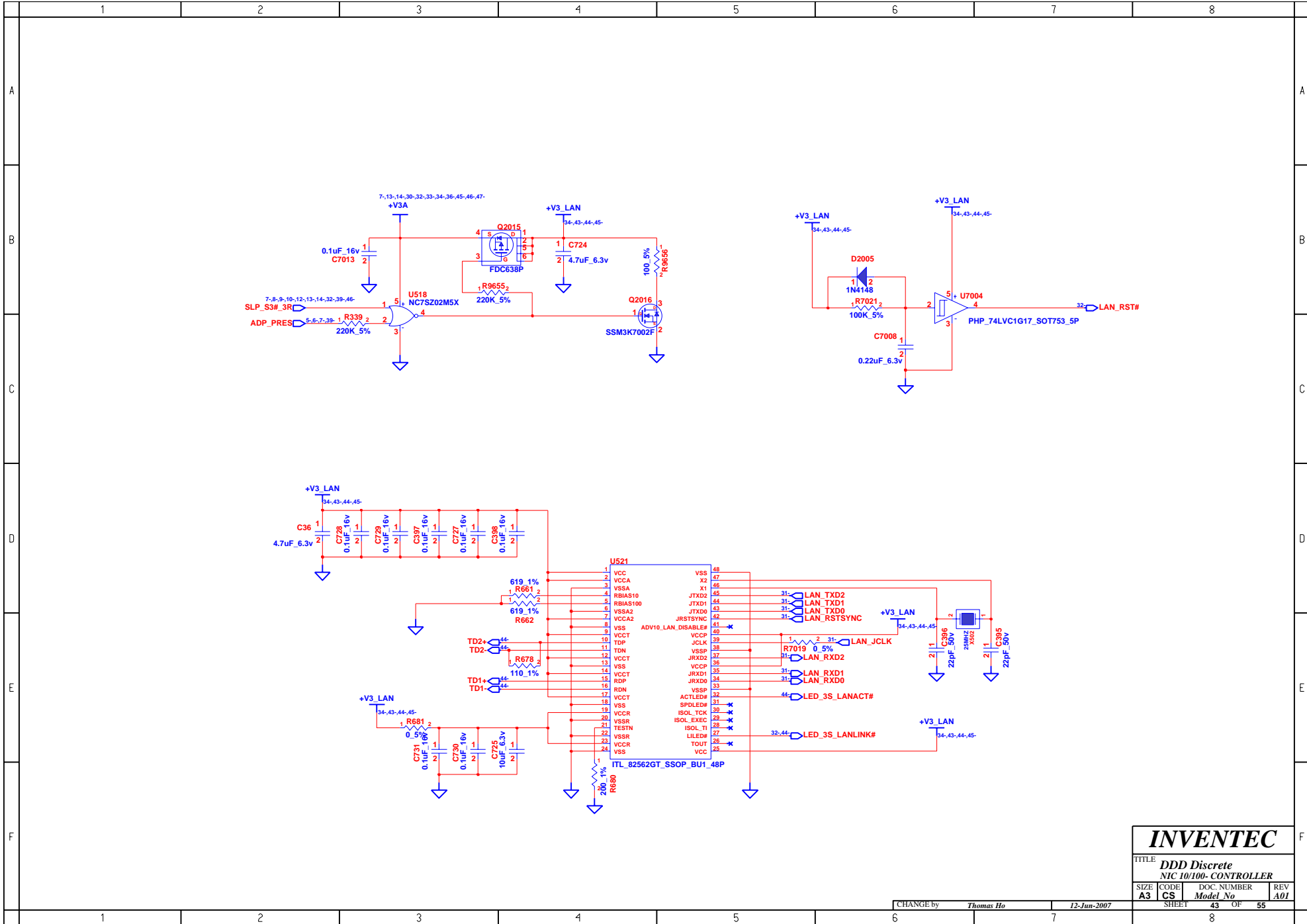


INVENTEC			
TITLE DDD Discrete KBC			
SIZE A3	CODE CS	DOC. NUMBER <i>Model No</i>	REV A01
CHANGE by <i>Thomas Ho</i>		13-Jun-2007	
SHEET 39		OF 55	

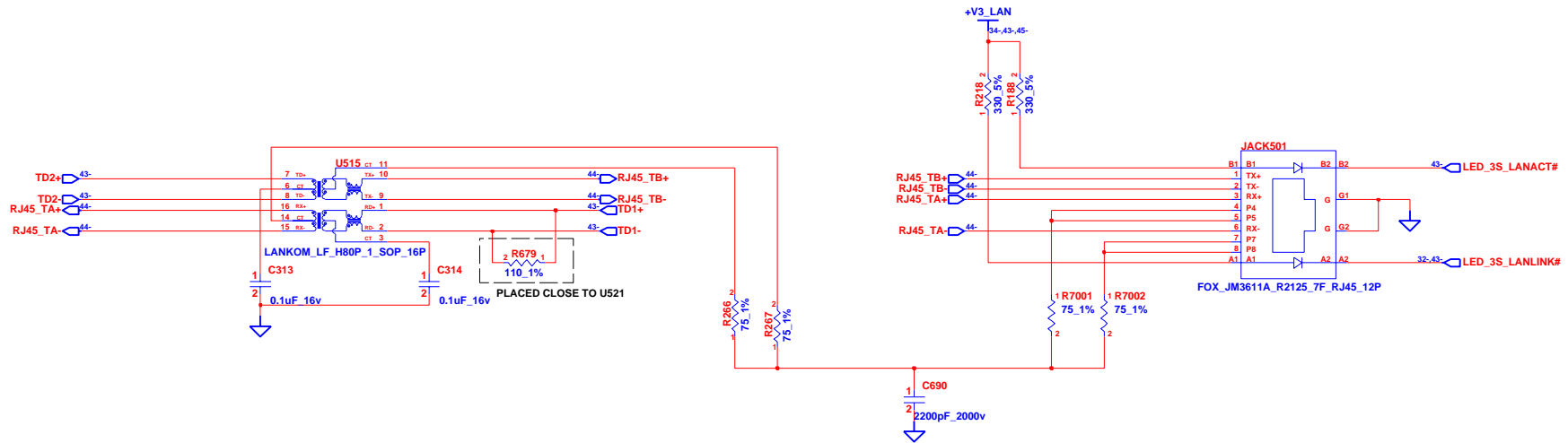


INVENTEC

TITLE			
DDD Discrete			
KB & TP CONN			
SIZE	CODE	DOC. NUMBER	REV
A3	CS	Model No	A01
SHEET		40	OF 55



INVENTEC			
TITLE DDD Discrete NIC 10/100- CONTROLLER			
SIZE A3	CODE CS	DOC. NUMBER <i>Model No</i>	REV A01
CHANGE by <i>Thomas Ho</i>		12-Jun-2007	
SHEET 43		OF 55	



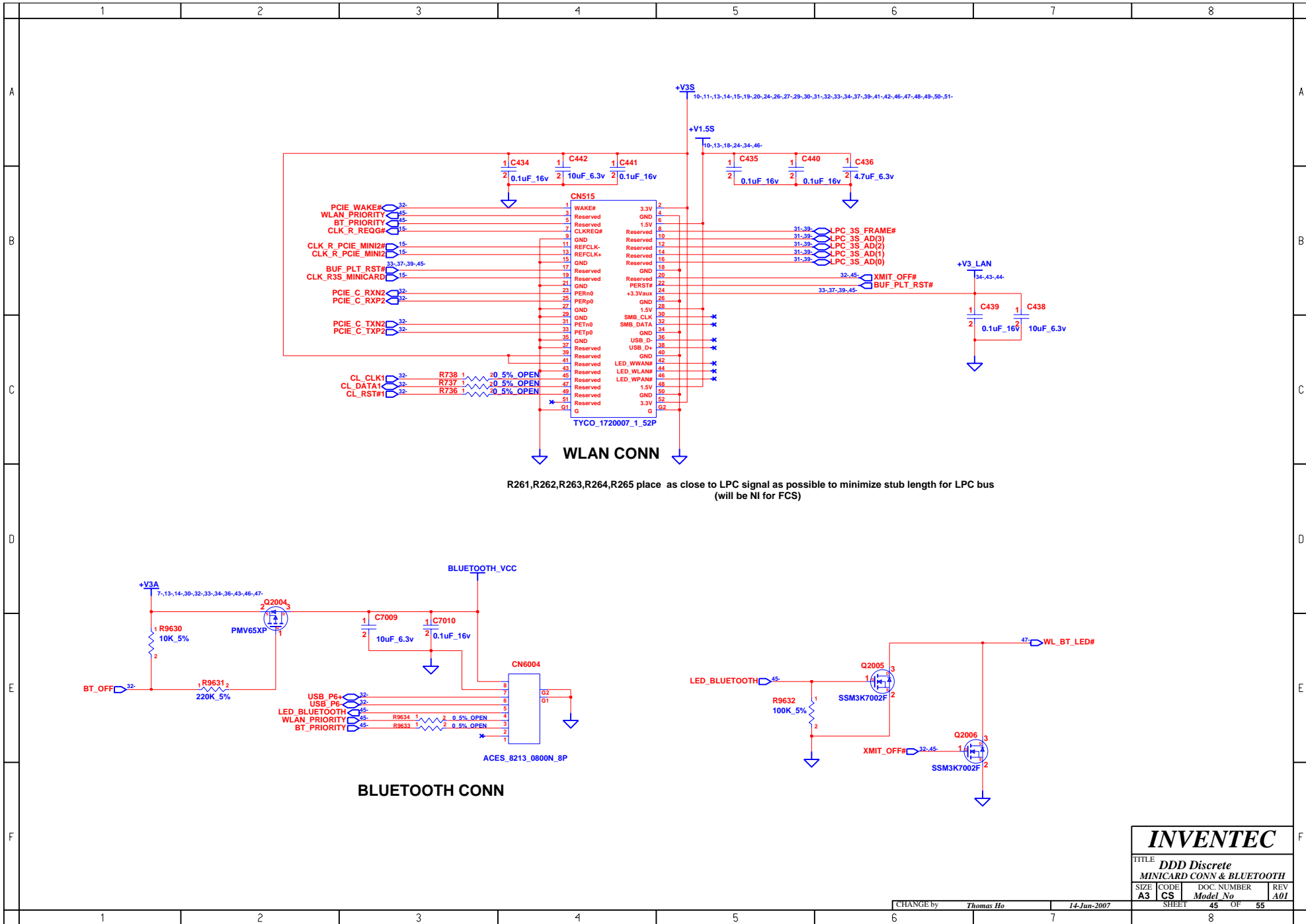
INVENTEC

TITLE *DDD Discrete*
NIC 10/100 - RJ45

SIZE **A3** CODE **CS** DOC. NUMBER **44** REV **A01**

CHANGE by *Thomas Ho* 2-Jun-2007

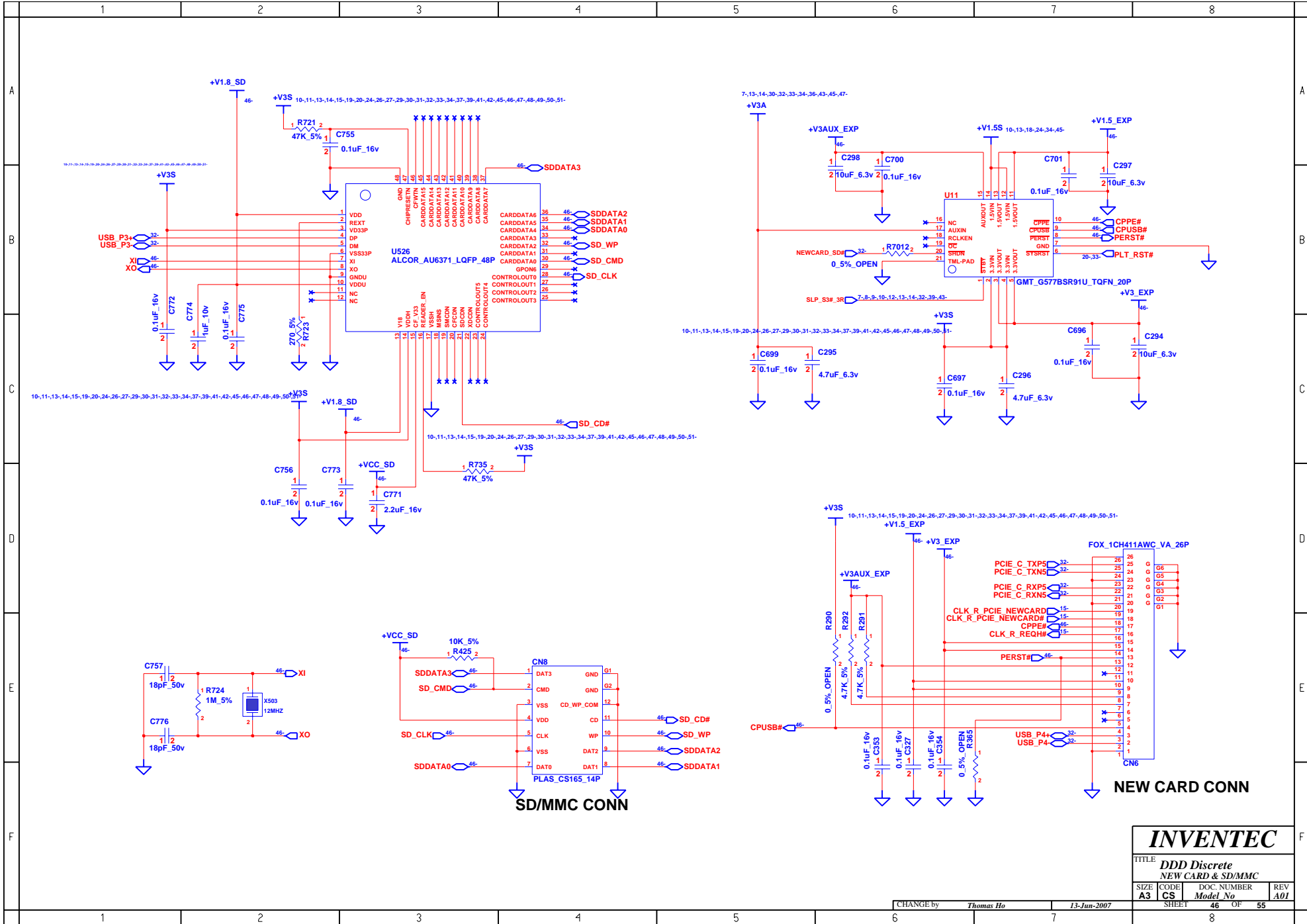
SHEET 44 OF 55



INVENTEC			
TITLE DDD Discrete			
MINICARD CONN & BLUETOOTH			
SIZE A3	CODE CS	DOC. NUMBER <i>Model No</i>	REV A01

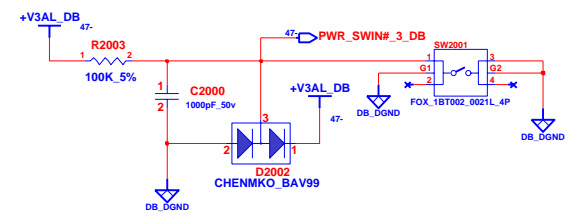
CHANGE by *Thomas Ho* 14-Jun-2007

SHEET 45 OF 55

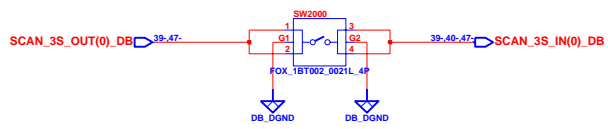


INVENTEC			
TITLE DDD Discrete NEW CARD & SD/MMC			
SIZE A3	CODE CS	DOC NUMBER Model No	REV A01
CHANGE by Thomas Ho		13-Jun-2007	
SHEET 46		OF 55	

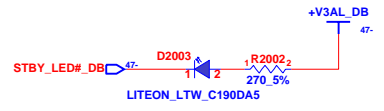
POWER BUTTON



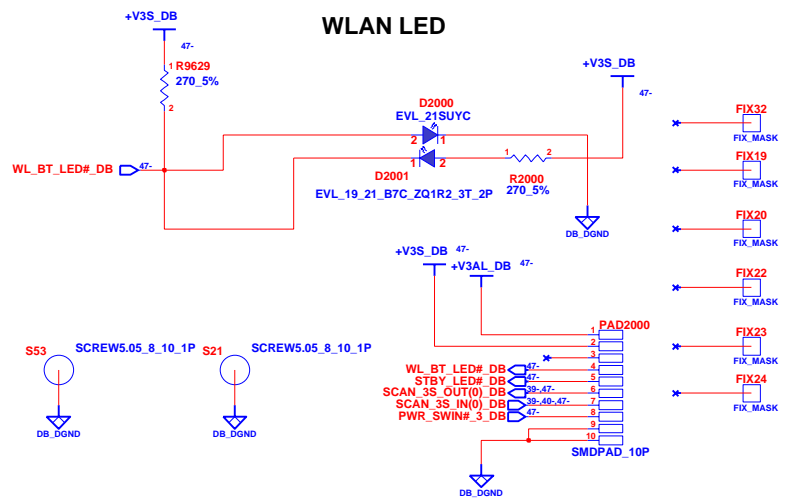
WIRELESS BUTTON



POWER / STANDBY LED

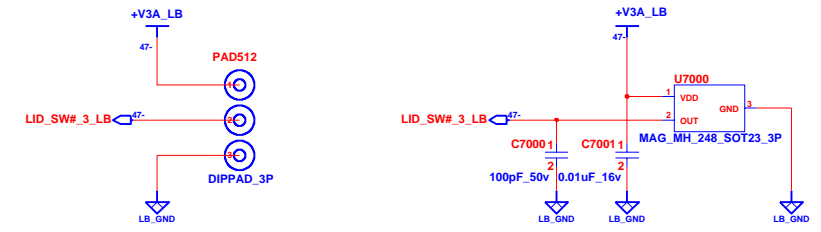


WLAN LED

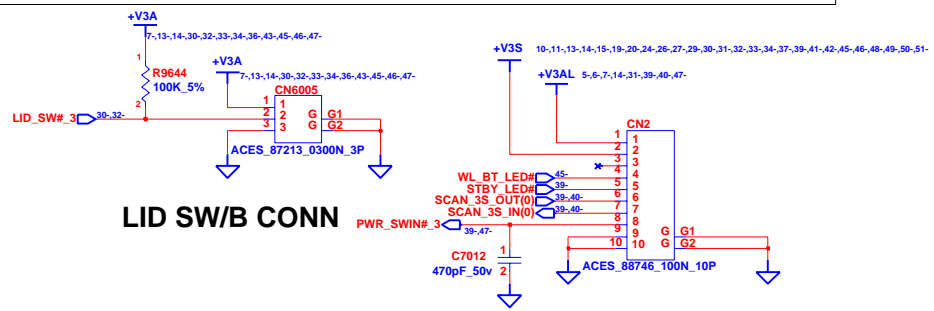


LED&SWITCH BOARD

LID SWITCH

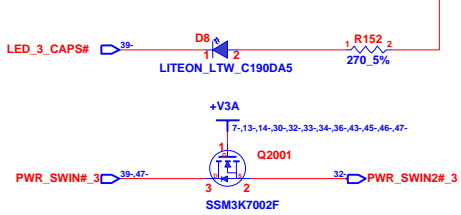


LID SW/B

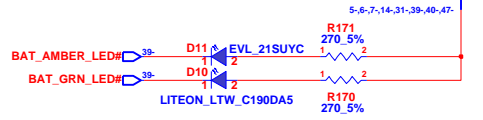


LID SW/B CONN

CAP LED

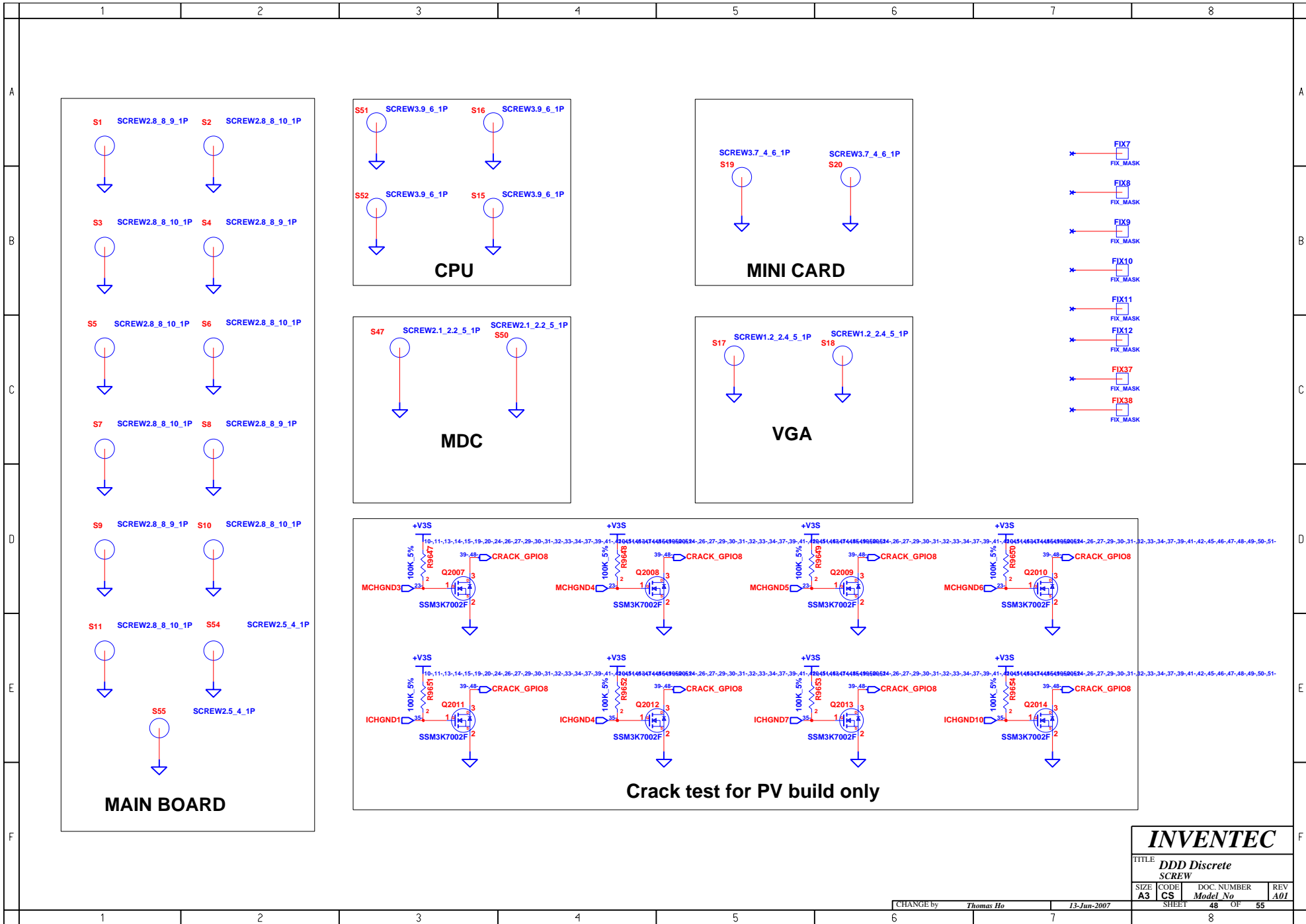


BATTERY-CHARGE LED



INVENTEC

TITLE			
DDD Discrete BUTTON & LED			
SIZE	CODE	DOC NUMBER	REV
A3	CS	Model No	A01



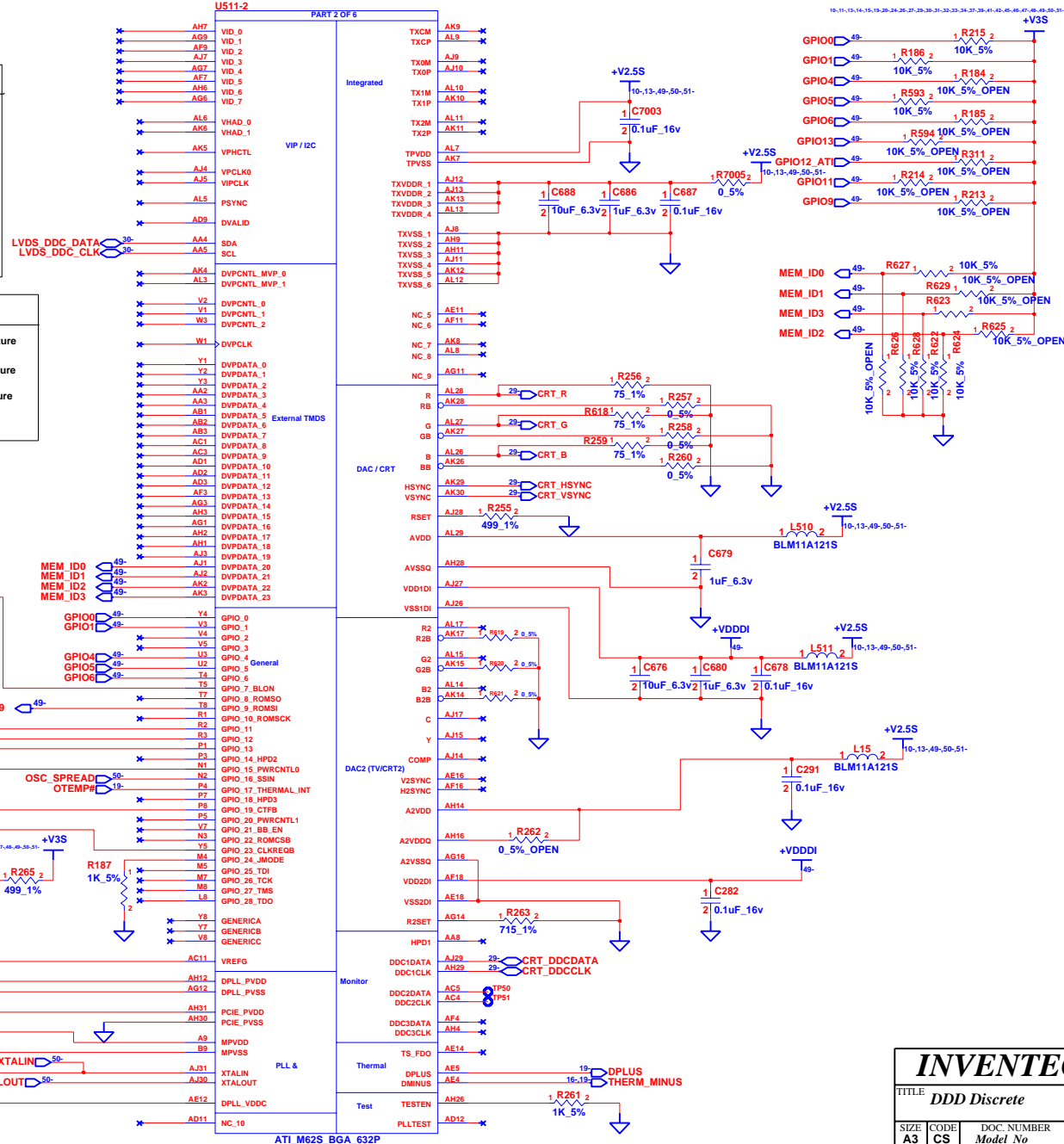
INVENTEC			
TITLE DDD Discrete SCREW			
SIZE A3	CODE CS	DOC. NUMBER <i>Model No</i>	REV A01
CHANGE by <i>Thomas Ho</i>		13-Jun-2007	
SHEET 48		OF 55	

STRAPS	PIN	DESCRIPTION OF DEFAULT SETTINGS	
TX_PWRS_ENB	GPIO0	PCIE FULL TX OUTPUT SWING	X
TX_DEEMPH_EN	GPIO1	PCIE TRANSMITTER DE-EMPHASIS ENABLED	1
BIF_DEBUG_ACCESS	GPIO4	DEBUG SIGNALS MUXED OUT	0
PLL_IBIAS_RD_1	GPIO6	BIAS CURRENT FOR PCIE PHY PLL MSBIT	0
PLL_IBIAS_RD_0	GPIO5	BIAS CURRENT FOR PCIE PHY PLL LSBIT	1
ROMIDCFG(3:0)	GPIO[13:11,9]	DISABLE EXTERNAL BIOS ROM	X X X X

X = DESIGN DEPENDANT
0 = DO NOT INSTALL RESISTOR
1 = INSTALL 10K RESISTOR

GPIO_13	GPIO_12	GPIO_9	
0	0	0	128M memory aperture
0	1	0	256M memory aperture
1	0	0	64M memory aperture
1	1	0	reserved

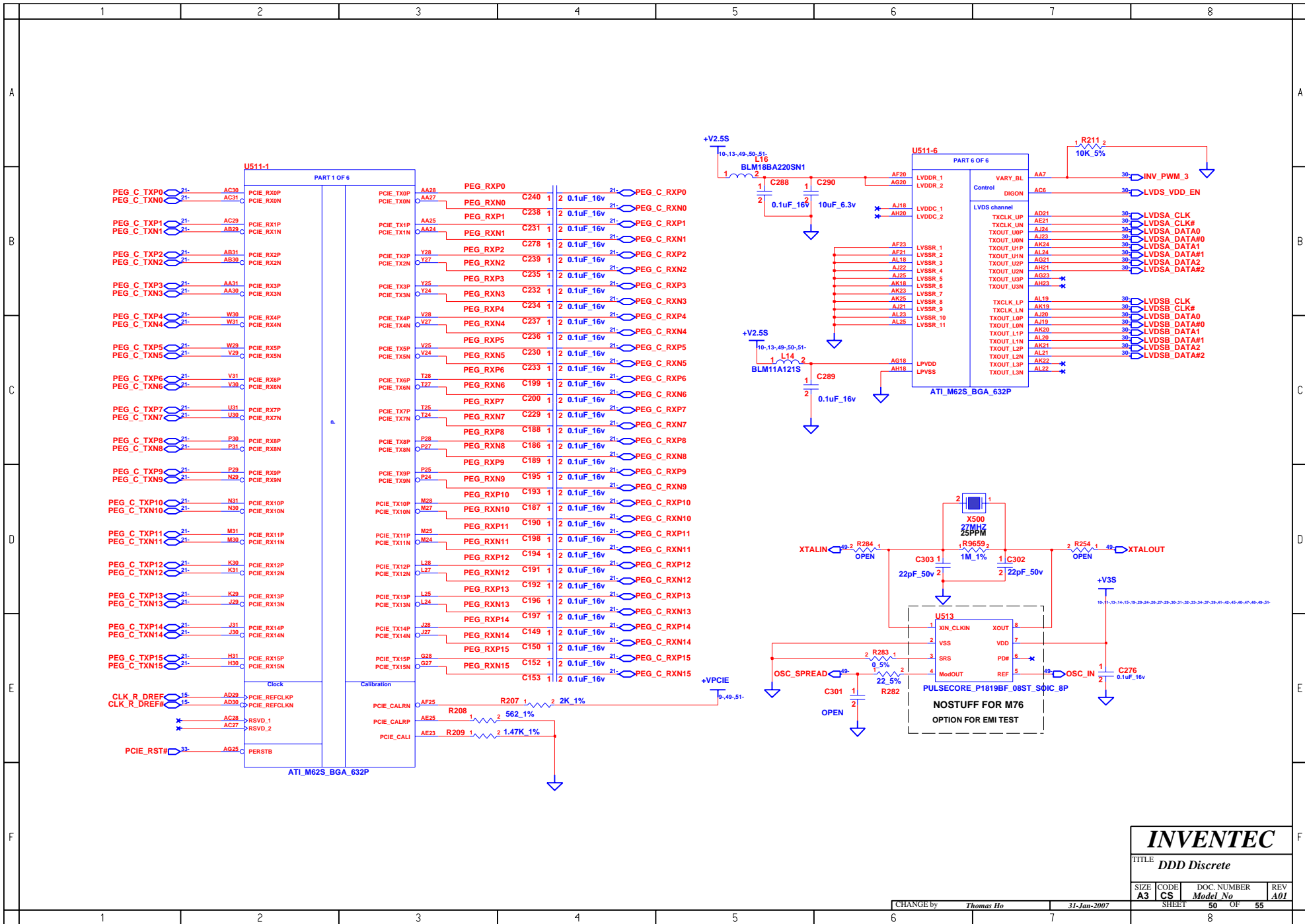
MEM_ID3	MEM_ID2	MEM_ID1	MEM_ID0	vendor
0	0	0	0	X
0	0	0	1	samsung (128MB)
1	0	0	1	samsung (64MB)
0	0	1	0	infineon (128MB)
1	0	1	0	infineon (64MB)
0	1	0	0	hynix (128MB)
1	1	0	0	hynix (64MB)



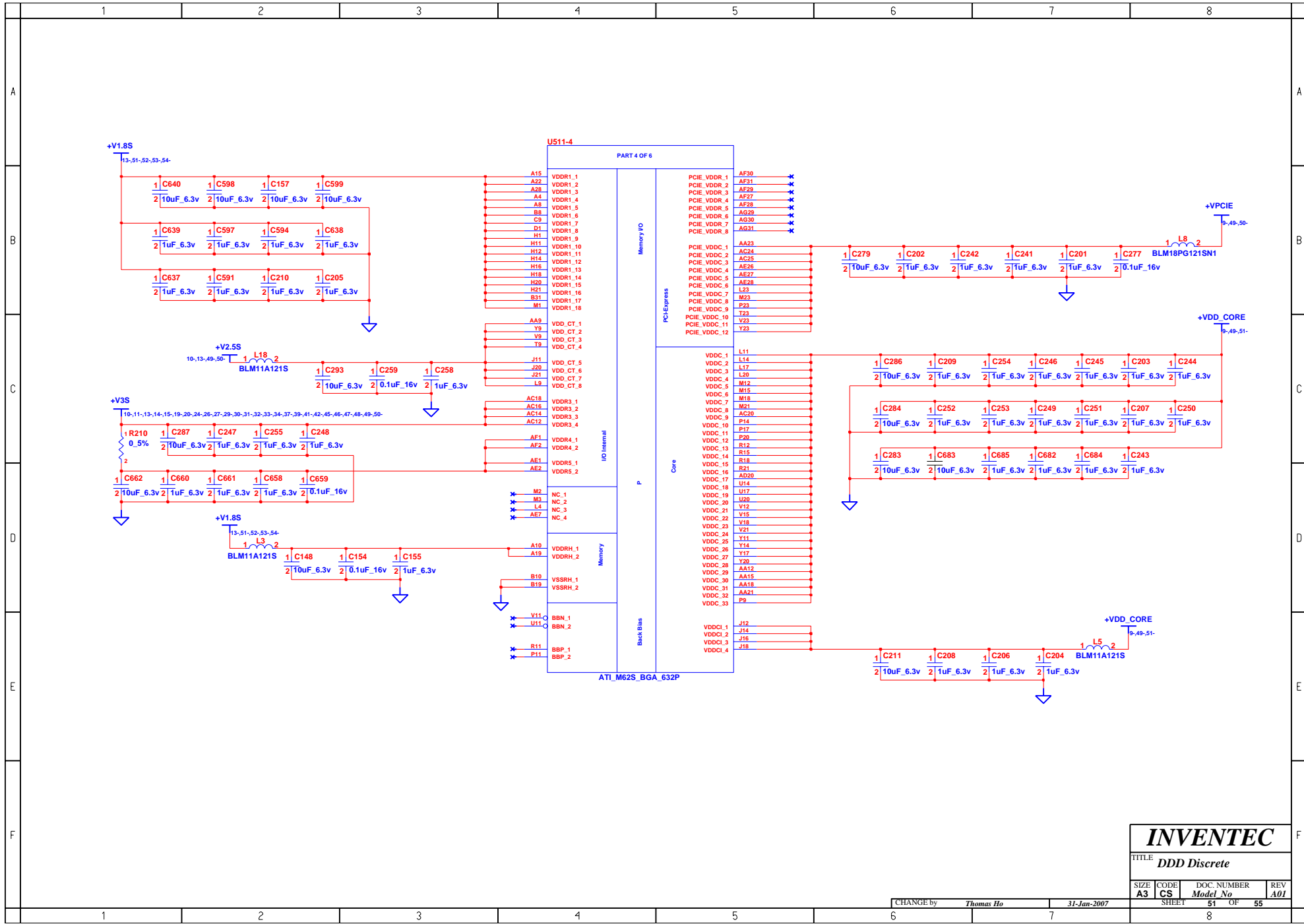
INVENTEC

TITLE
DDD Discrete

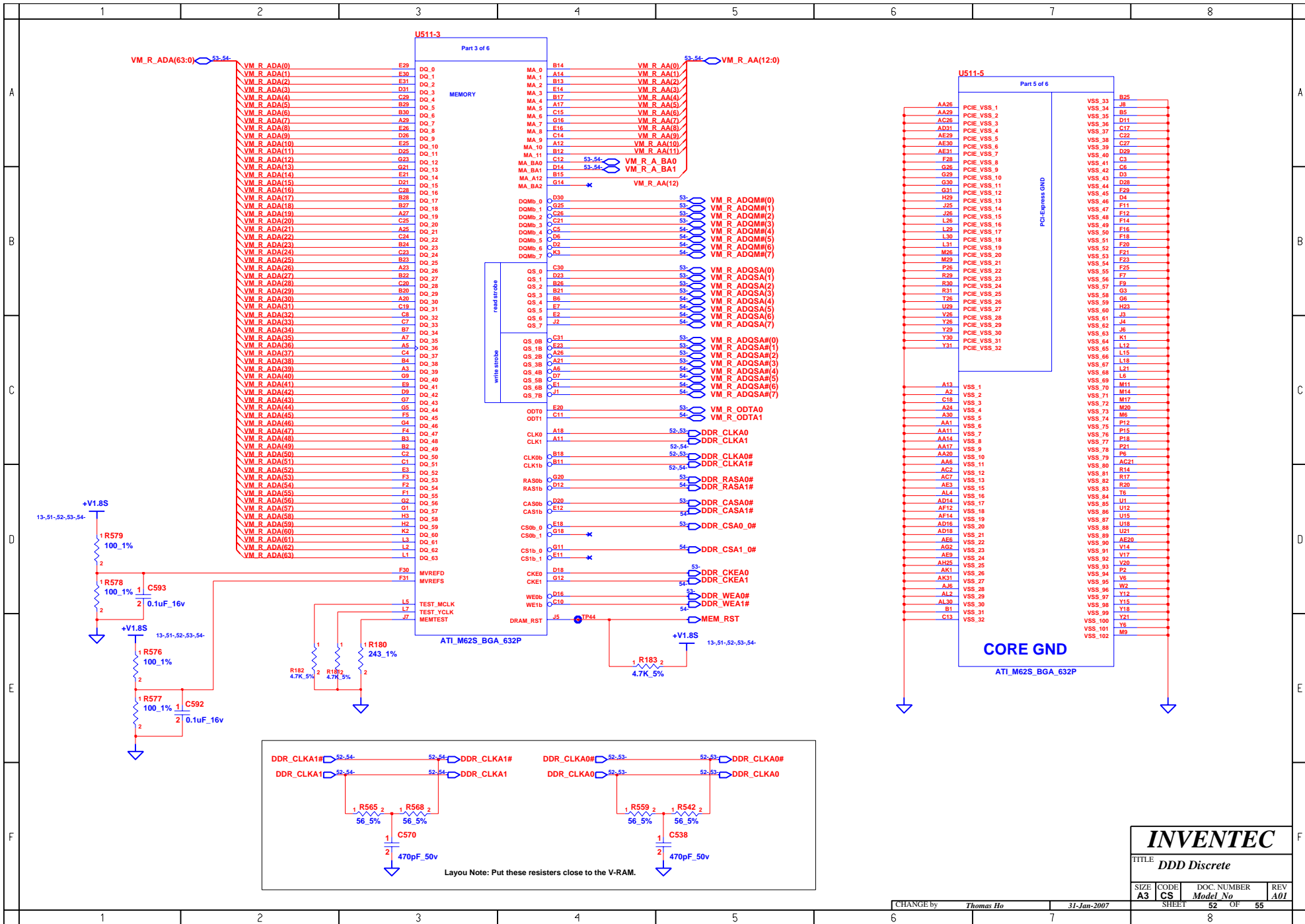
SIZE A3	CODE CS	DOC. NUMBER <i>Model No</i>	REV A01
SHEET 49 OF 55			



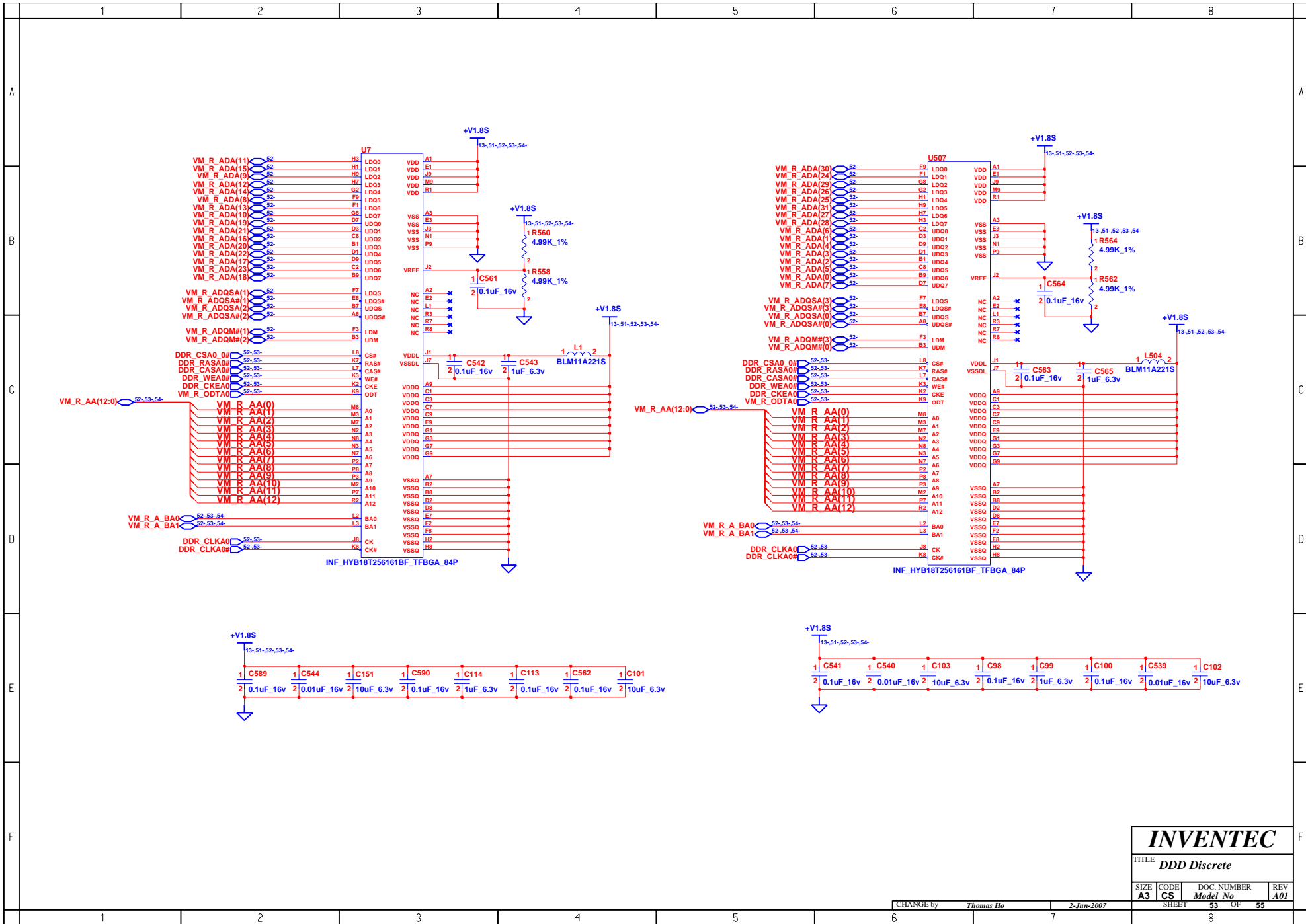
INVENTEC			
TITLE DDD Discrete			
SIZE A3	CODE CS	DOC. NUMBER Model No	REV A01
CHANGE by Thomas Ho		31-Jan-2007	
SHEET 50		OF 55	



INVENTEC				
TITLE DDD Discrete				
SIZE A3	CODE CS	DOC. NUMBER Model No	REV A01	
CHANGE by Thomas Ho		31-Jan-2007		SHEET 51 OF 55



INVENTEC			
TITLE DDD Discrete			
SIZE A3	CODE CS	DOC. NUMBER Model No	REV A01
CHANGE by Thomas Ho		31-Jan-2007	
SHEET 52		OF 55	



INVENTEC

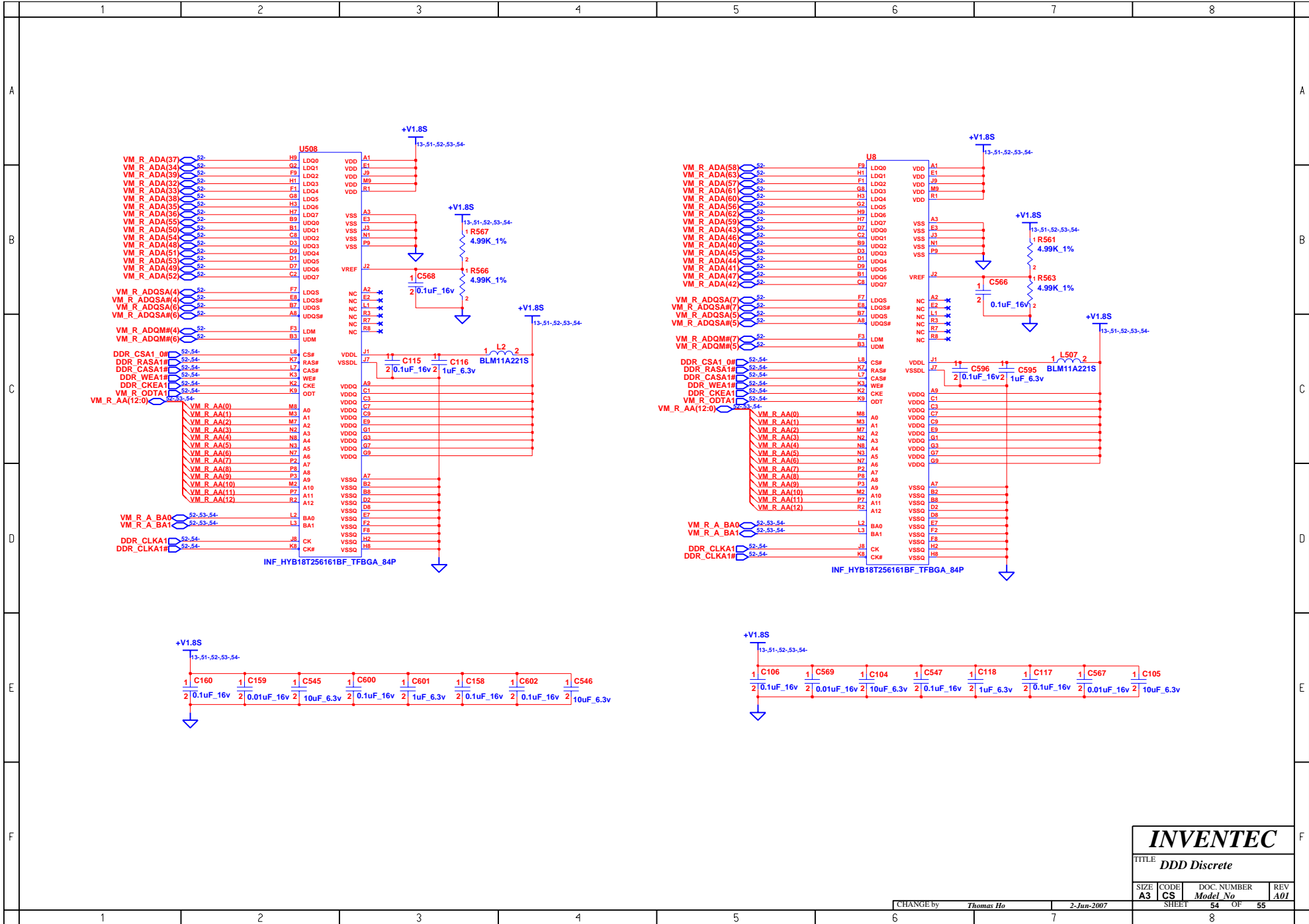
TITLE *DDD Discrete*

SIZE	CODE	DOC. NUMBER	REV
A3	CS	Model No	A01

CHANGE by *Thomas Ho*

2-Jun-2007

SHEET 53 OF 55



INVENTEC

TITLE
DDD Discrete

SIZE	CODE	DOC. NUMBER	REV
A3	CS	Model No	A01

CHANGE by Thomas Ho

2-Jun-2007

SHEET 54 OF 55