

DDD UMA

SI Build(Final)

2007.03.30

DATE	CHANGE NO.	REV

DRAWER	EE	DATE	POWER	DATE	INVENTEC		
DESIGN					TITLE DDD UMA		
CHECK					SIZE CODE DOC. NUMBER REV		
RESPONSIBLE					A3 CS Model No AXI		
SIZE =	3	VER :			SHEET 1 OF 48		
FILE NAME :	XXXX-XXXXXX-XX						
P/N	XXXXXXXXXXXX						

TABLE OF CONTENTS

PAGE

- 5- DC& BATTERY CHARGER
- 6- SELECT & BATTERY CONN
- 7- SYSTEM POWER(3V/5V)
- 8- SYSTEM POWER(+V1.8/+V1.25S)
- 9- SYSTEM POWER(+VGFX/+VCCP)
- 10- SYSTEM POWER(+V1.5S)
- 11- CPU POWER(VCC_CORE)
- 12- DDR TERMINATION VOLTAGE
- 13- POWER(SLEEP)
- 14- POWER(SEQUENCE)

PAGE

- 15- CLOCK_GENERATOR
- 16- PENRYN-1
- 17- PENRYN-2
- 18- PENRYN-3
- 19- THERMAL&FAN CONTROLLER
- 20- Crestline-1
- 21- Crestline-2
- 22- Crestline-3
- 23- Crestline-4
- 24- Crestline-5
- 25- Crestline-6
- 26- DDR2-DIMM0
- 27- DDR2-DIMM1
- 28- DDR2-DAMPING
- 29- VGA CONN
- 30- LCM CONN
- 31- ICH8-1
- 32- ICH8-2
- 33- ICH8-3
- 34- ICH8-4
- 35- ICH8-5

PAGE

- 36- SYSTEM BIOS&ODD EXTEND/B
- 37- HDD&ODD CONN
- 38- USB CONN
- 39- KBC
- 40- KB&TP CONN
- 41- AUDIO CODEC
- 42- MDC CONN & AUDIO JACK
- 43- NIC 10/100- CONTROLLER
- 44- NIC 10/100- RJ45 CONN
- 45- MINICARD & BT CONN
- 46- NEW CARD & SD/MMC
- 47- LED & BUTTON
- 48- SCREW HOLE

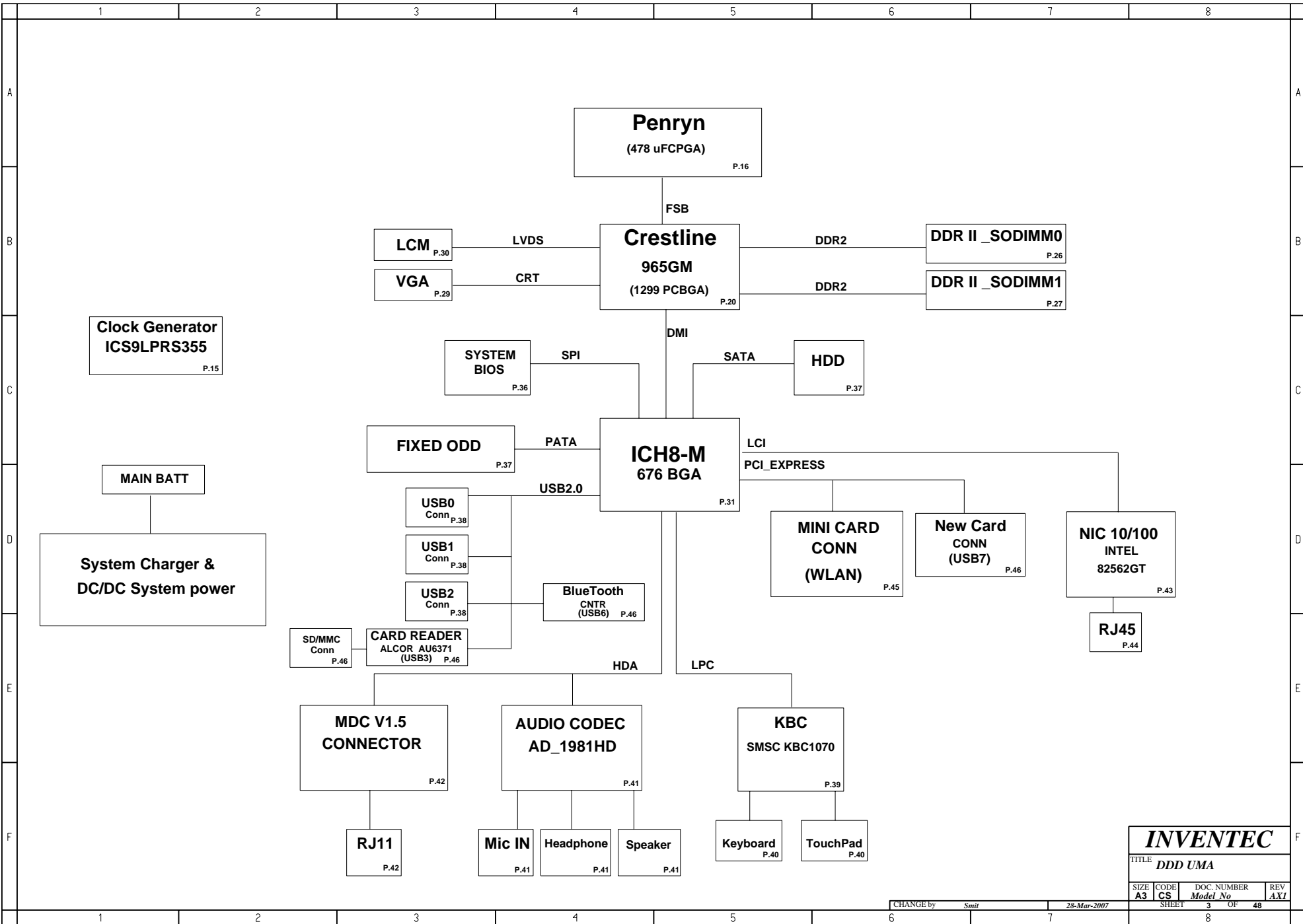
INVENTEC

TITLE
DDD UMA

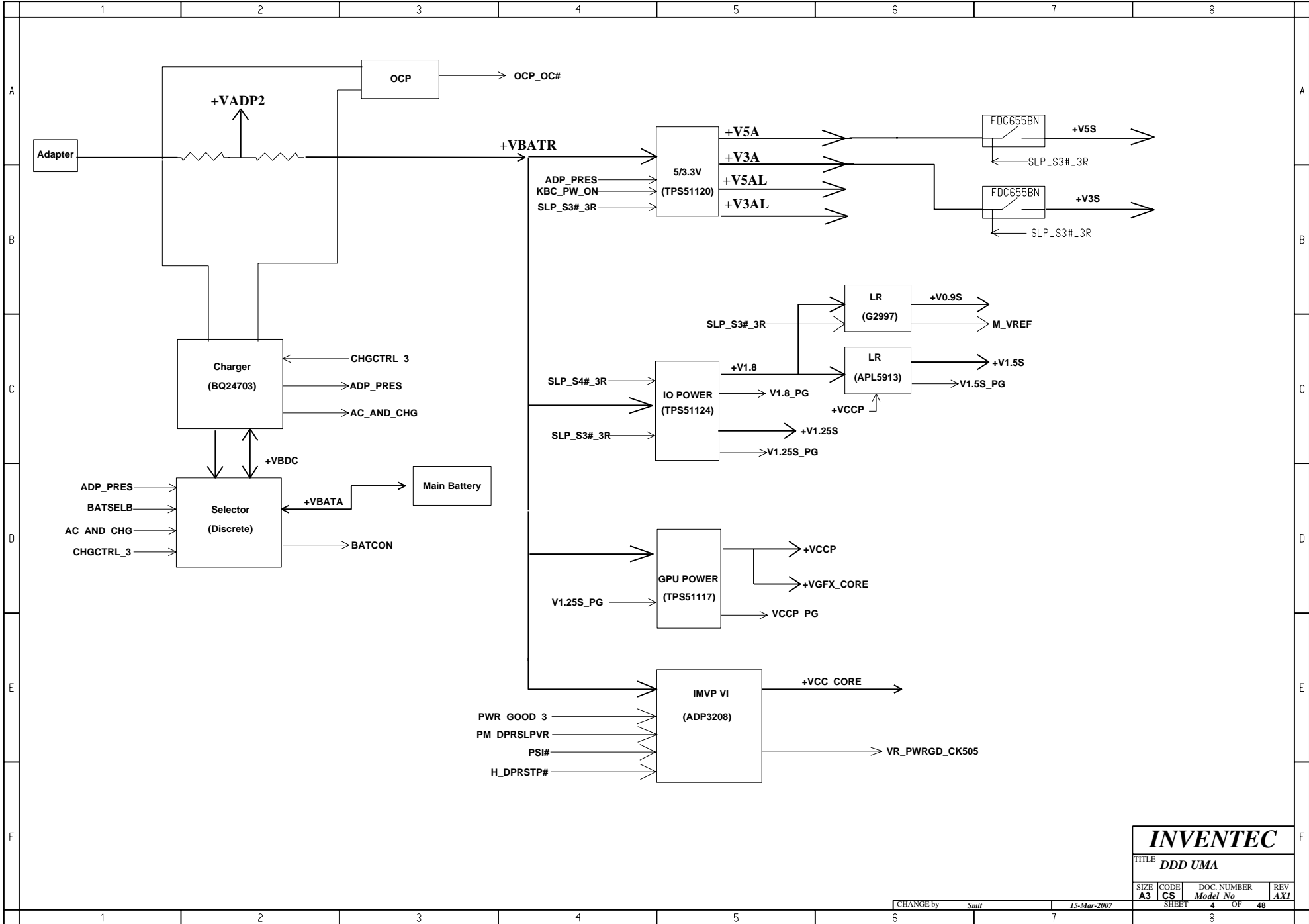
SIZE A3	CODE CS	DOC. NUMBER <i>Model No</i>	REV AXI
-------------------	-------------------	--------------------------------	-------------------

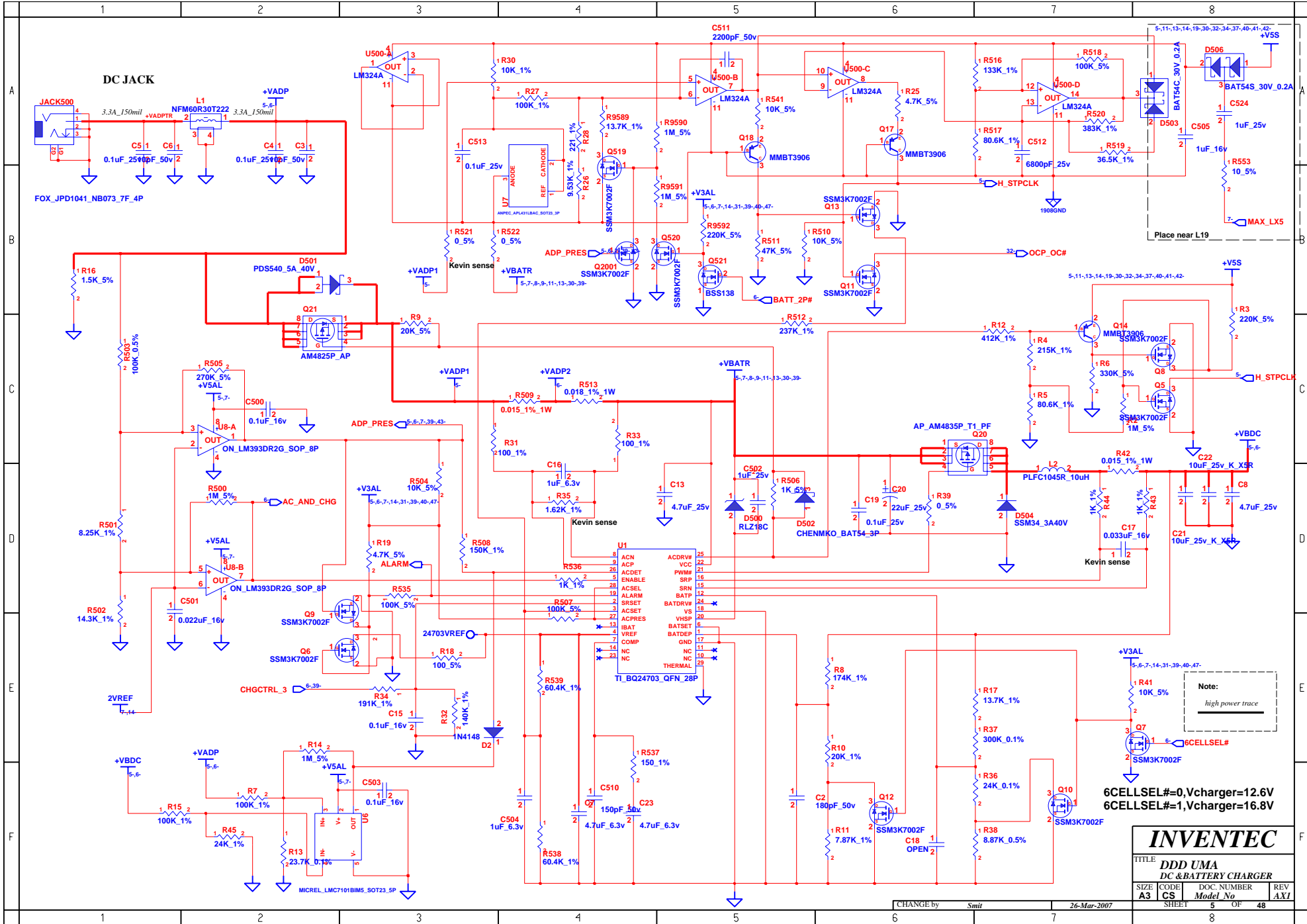
CHANGE by *Smit* 23-Mar-2007

SHEET 2 OF 48

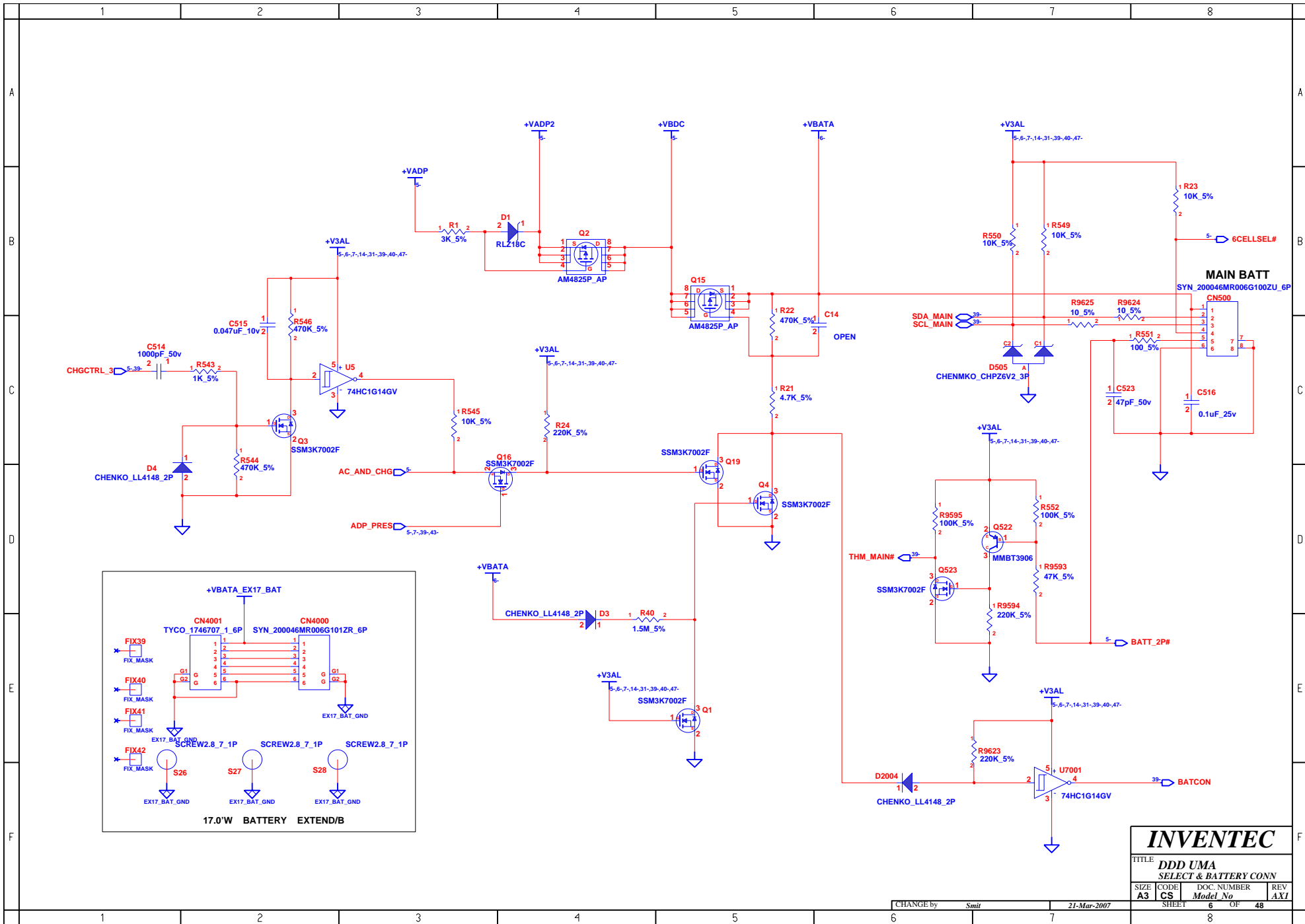


INVENTEC			
TITLE DDD UMA			
SIZE A3	CODE CS	DOC. NUMBER <i>Model No</i>	REV AX1
CHANGE by <i>Smit</i>		28-Mar-2007	SHEET 3 OF 48

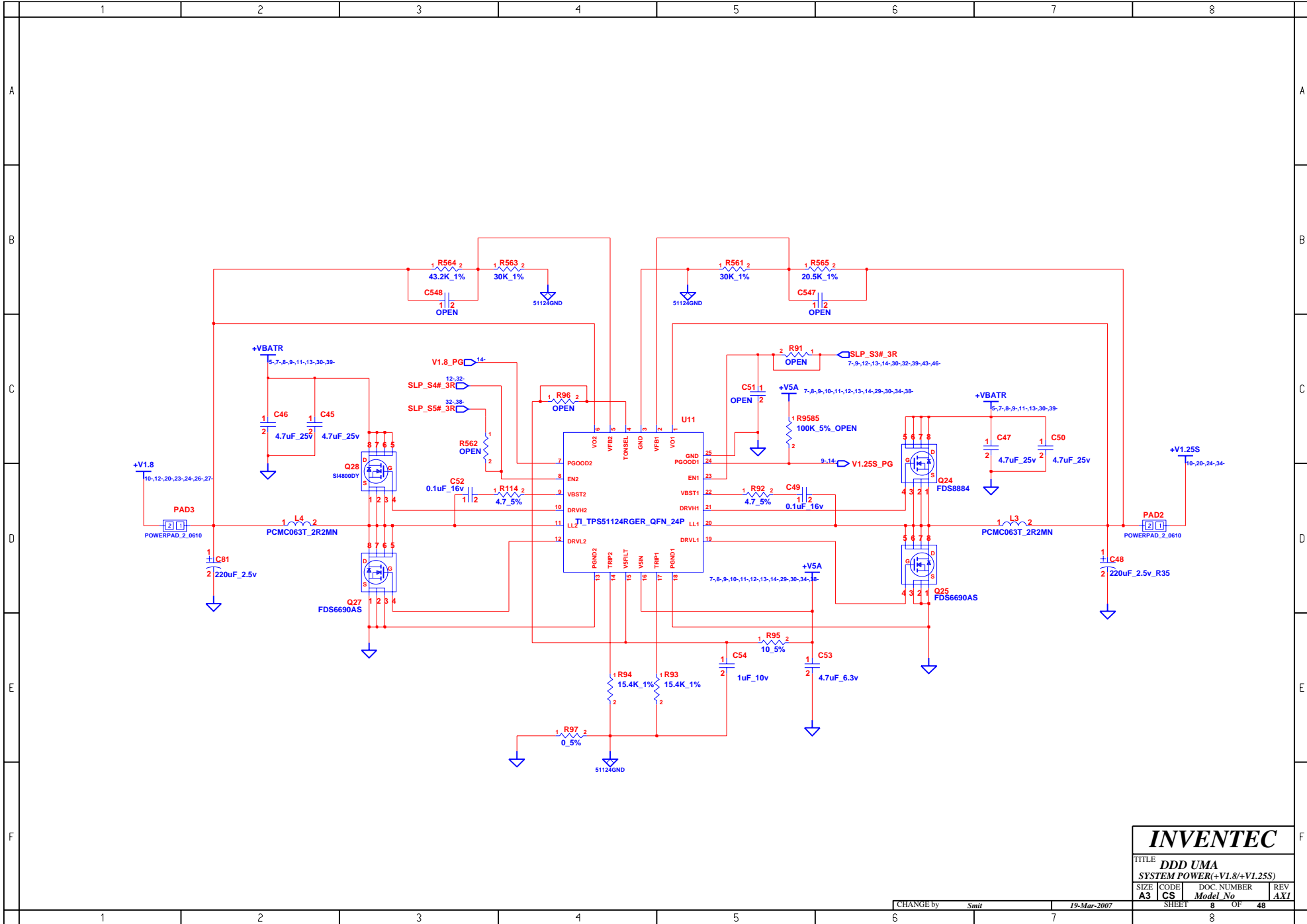




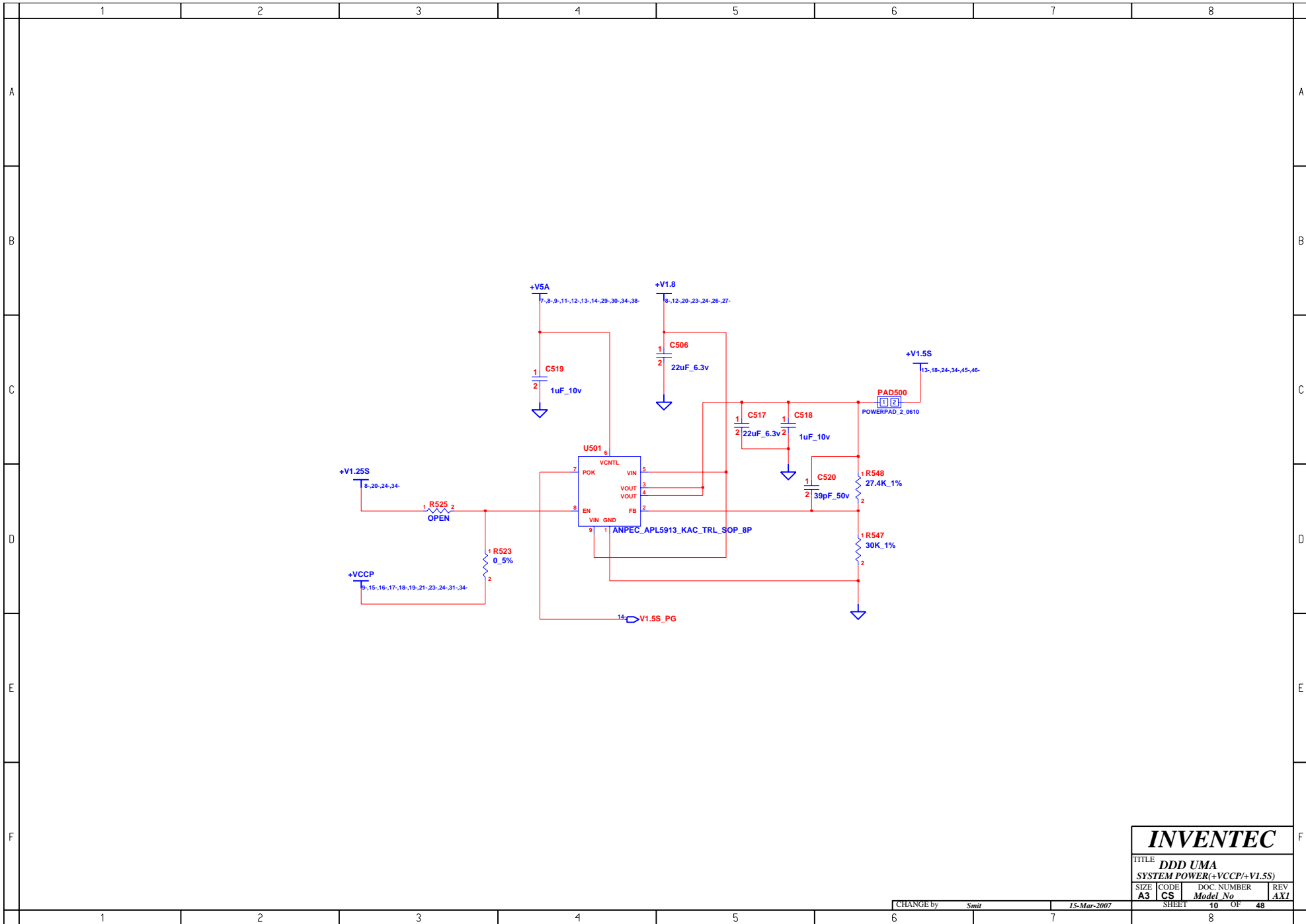
INVENTEC			
TITLE DDD UMA DC & BATTERY CHARGER			
SIZE A3	CODE CS	DOC NUMBER Model No	REV AX1
CHANGE by Smit		26-Mar-2007	
SHEET 5		OF 48	



INVENTEC			
TITLE DDD UMA SELECT & BATTERY CONN			
SIZE A3	CODE CS	DOC. NUMBER <i>Model No</i>	REV AX1
CHANGE by <i>Smit</i>		21-Mar-2007	
SHEET 6		OF 48	



INVENTEC			
TITLE DDD UMA			
SYSTEM POWER(+V1.8/+V1.25S)			
SIZE A3	CODE CS	DOC. NUMBER Model No	REV AXI
CHANGE by <i>Smit</i>		19-Mar-2007	SHEET 8 OF 48



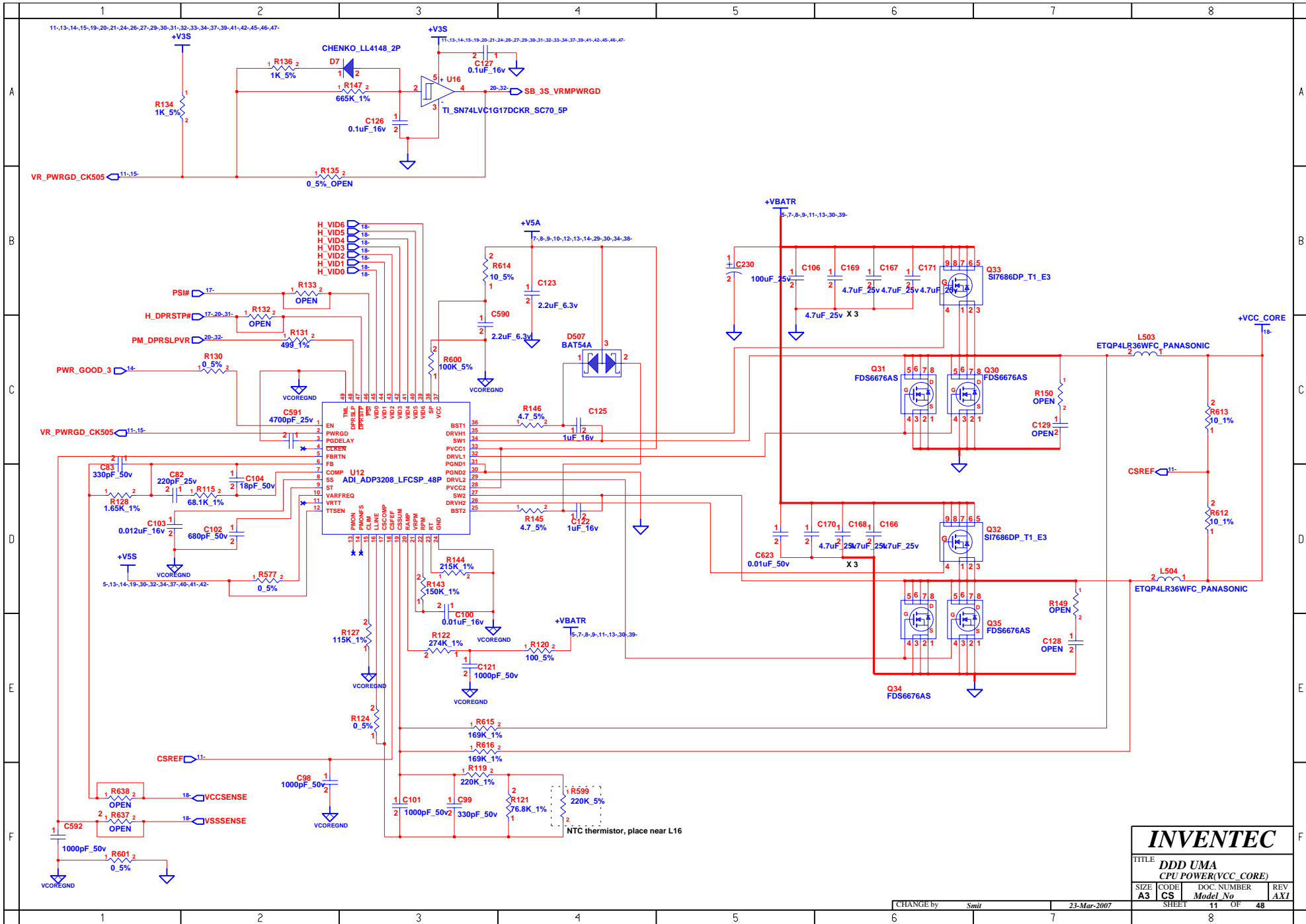
INVENTEC

TITLE **DDD UMA**
SYSTEM POWER(+VCCP/+V1.5S)

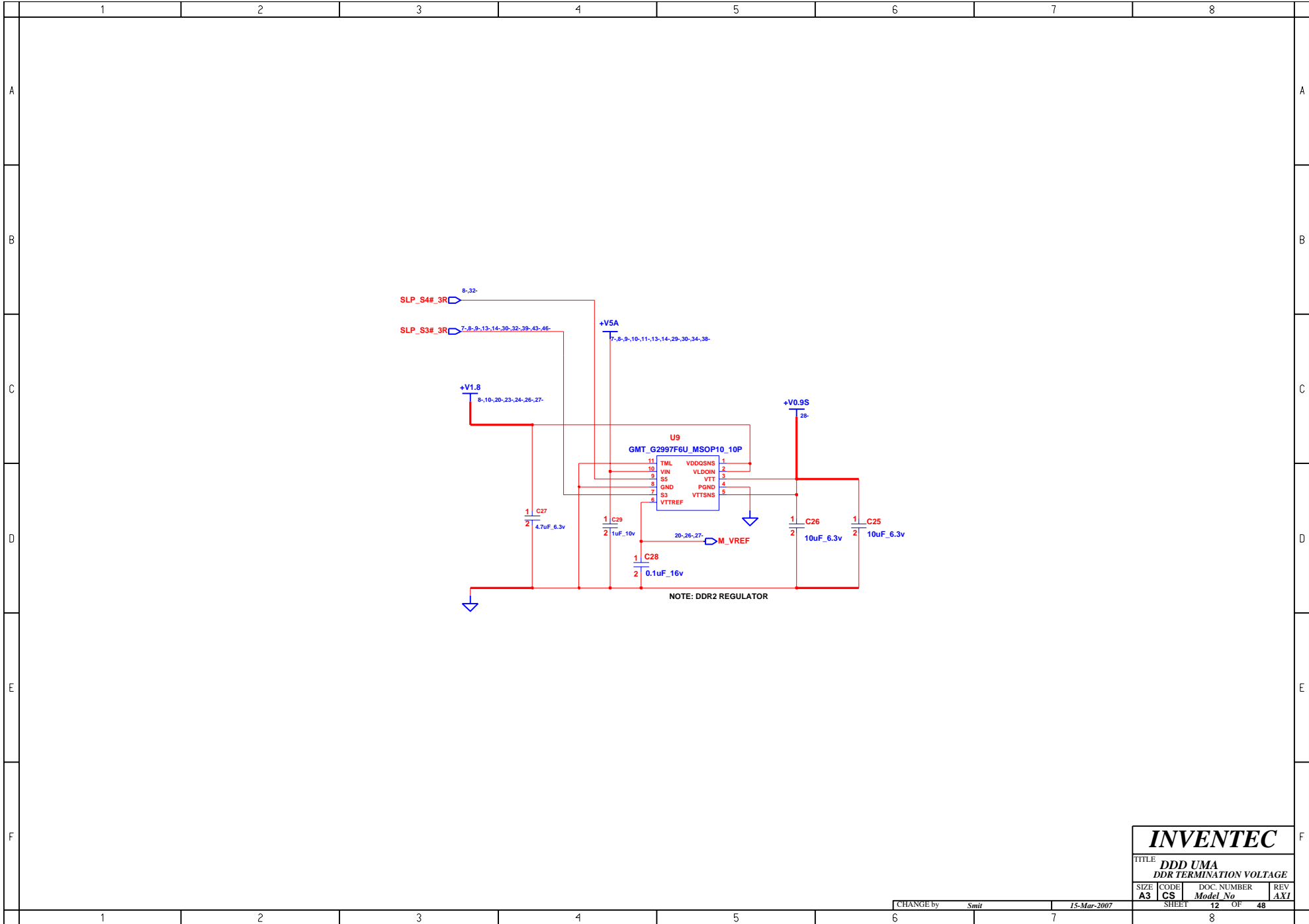
SIZE A3	CODE CS	DOC. NUMBER <i>Model No</i>	REV AX1
-------------------	-------------------	--------------------------------	-------------------

CHANGE by *Smit* 15-Mar-2007

SHEET **10** OF **48**



INVENTEC			
TITLE DDD UMA CPU POWER(VCC_CORE)			
SIZE A3	CODE CS	DOC NUMBER Model No	REV AXI
CHANGE by Smit		23-Mar-2007	
SHEET 11		OF 48	



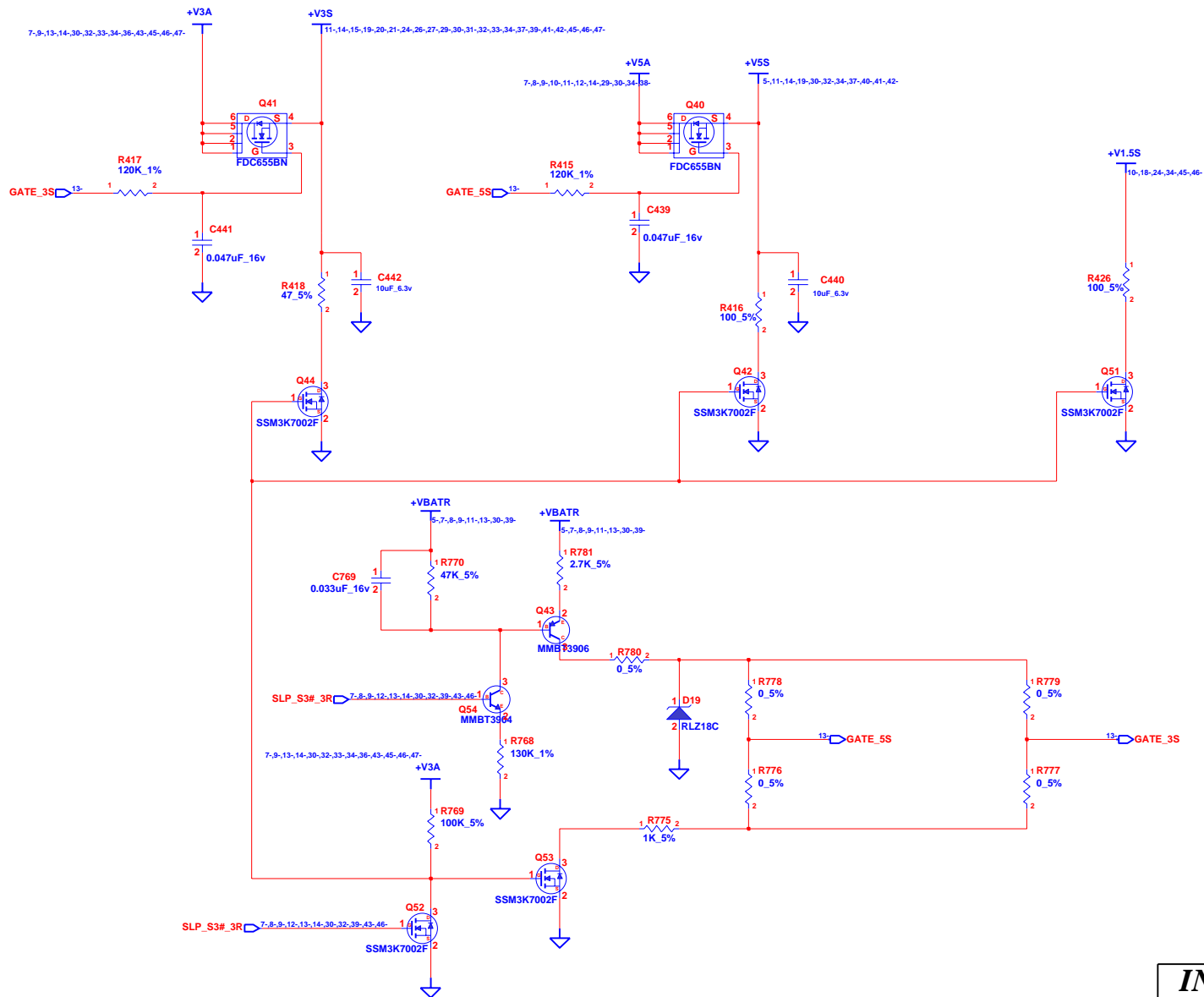
INVENTEC

TITLE **DDD UMA
DDR TERMINATION VOLTAGE**

SIZE A3	CODE CS	DOC. NUMBER <i>Model No</i>	REV AX1
-------------------	-------------------	--------------------------------	-------------------

CHANGE by *Smit* 15-Mar-2007

SHEET 12 OF 48

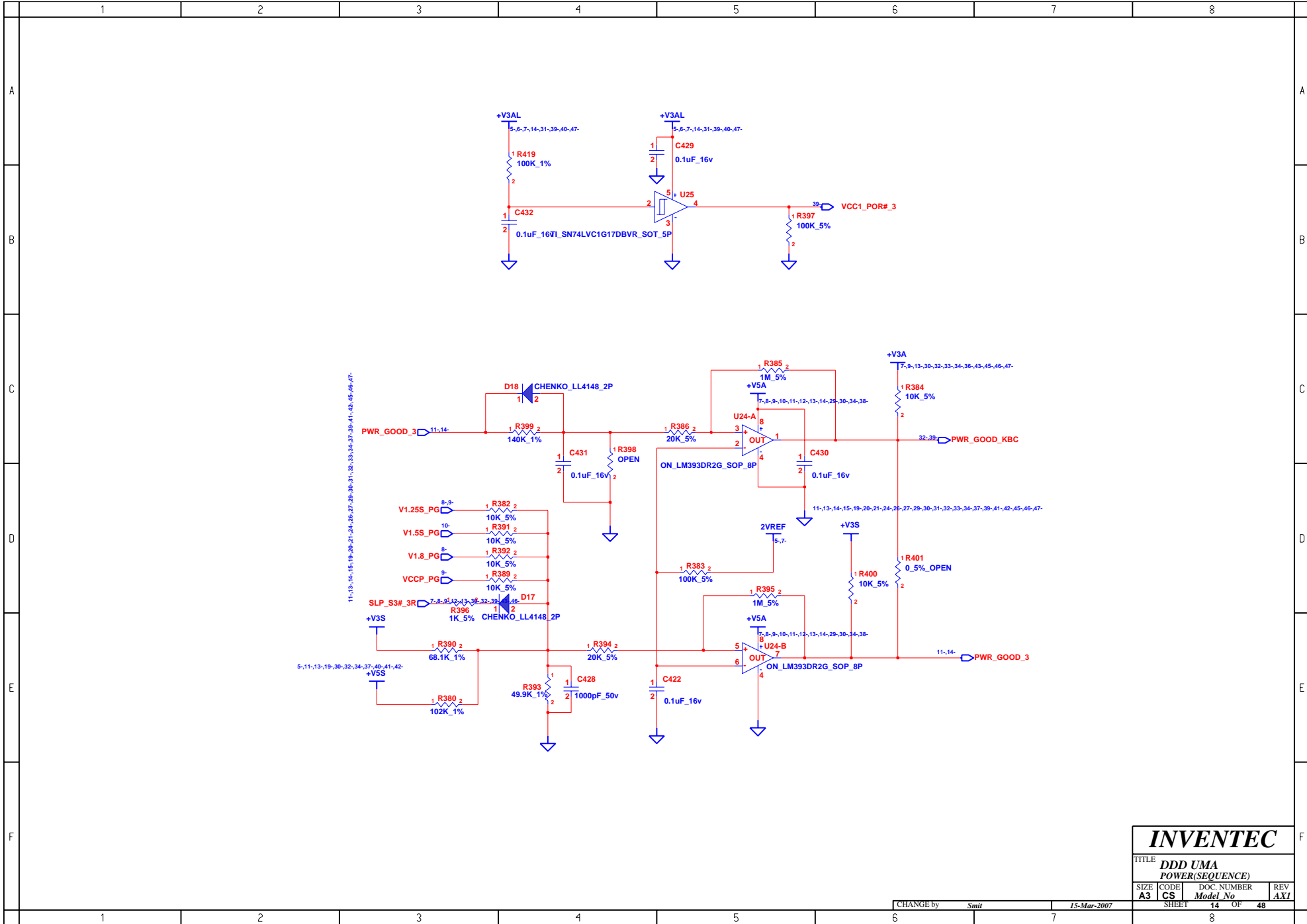


INVENTEC

TITLE			
DDD UMA			
POWER(SLEEP)			
SIZE	CODE	DOC. NUMBER	REV
A3	CS	Model No	AXI

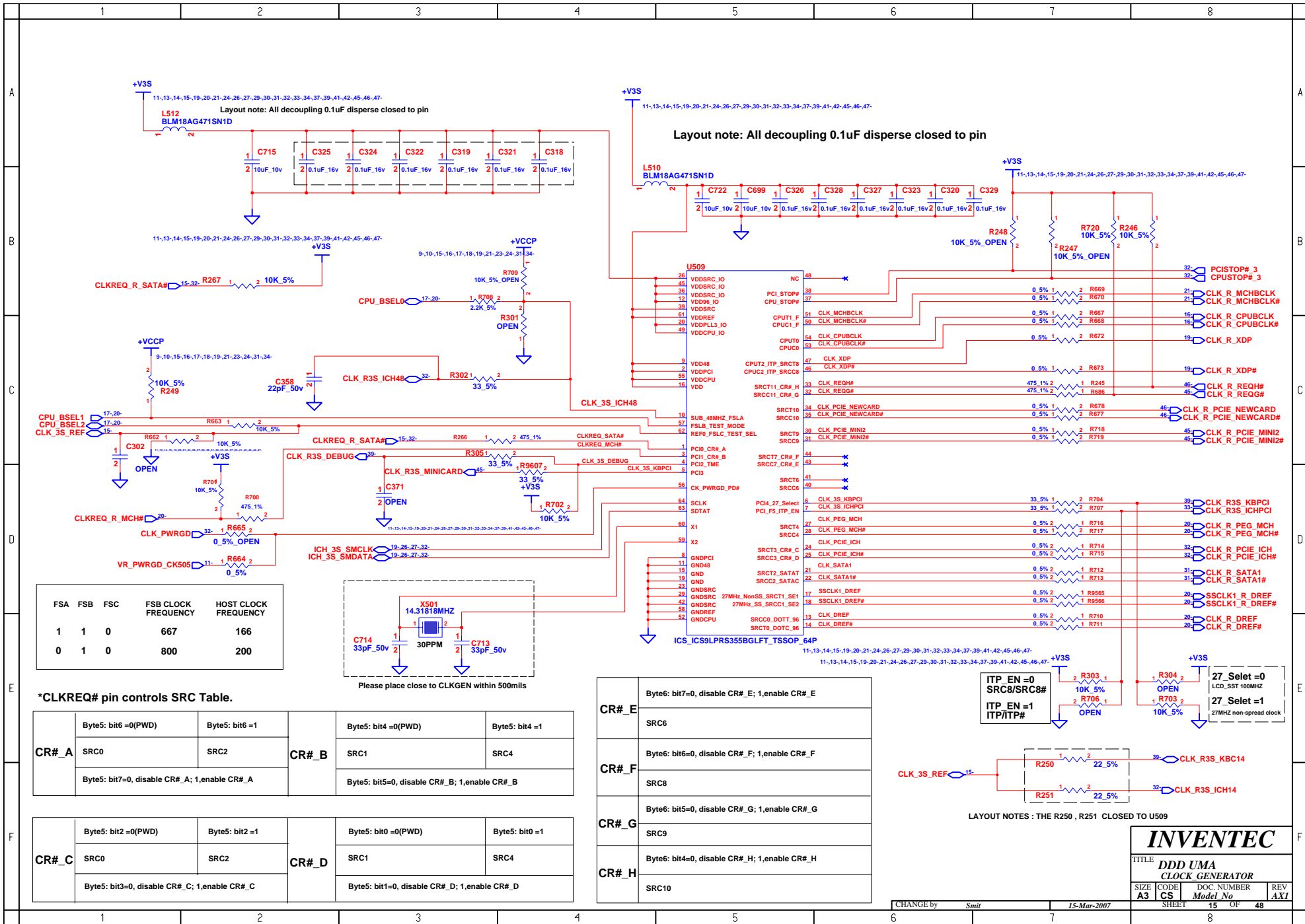
CHANGE by Smit 15-Mar-2007

SHEET 13 OF 48



INVENTEC

TITLE			
DDD UMA			
POWER(SEQUENCE)			
SIZE	CODE	DOC. NUMBER	REV
A3	CS	Model No	AXI
CHANGE by		Smit	15-Mar-2007
SHEET		14	OF 48
		8	



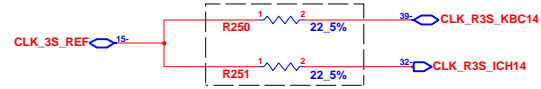
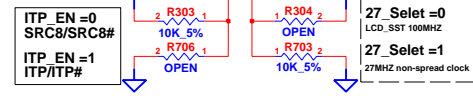
FSA	FSB	FSC	FSB CLOCK FREQUENCY	HOST CLOCK FREQUENCY
1	1	0	667	166
0	1	0	800	200

*CLKREQ# pin controls SRC Table.

CR#_A	Byte5: bit6 =0(PWD)	Byte5: bit6 =1	CR#_B	Byte5: bit4 =0(PWD)	Byte5: bit4 =1
	SRC0	SRC2		SRC1	SRC4
Byte5: bit7=0, disable CR#_A; 1,enable CR#_A			Byte5: bit5=0, disable CR#_B; 1,enable CR#_B		

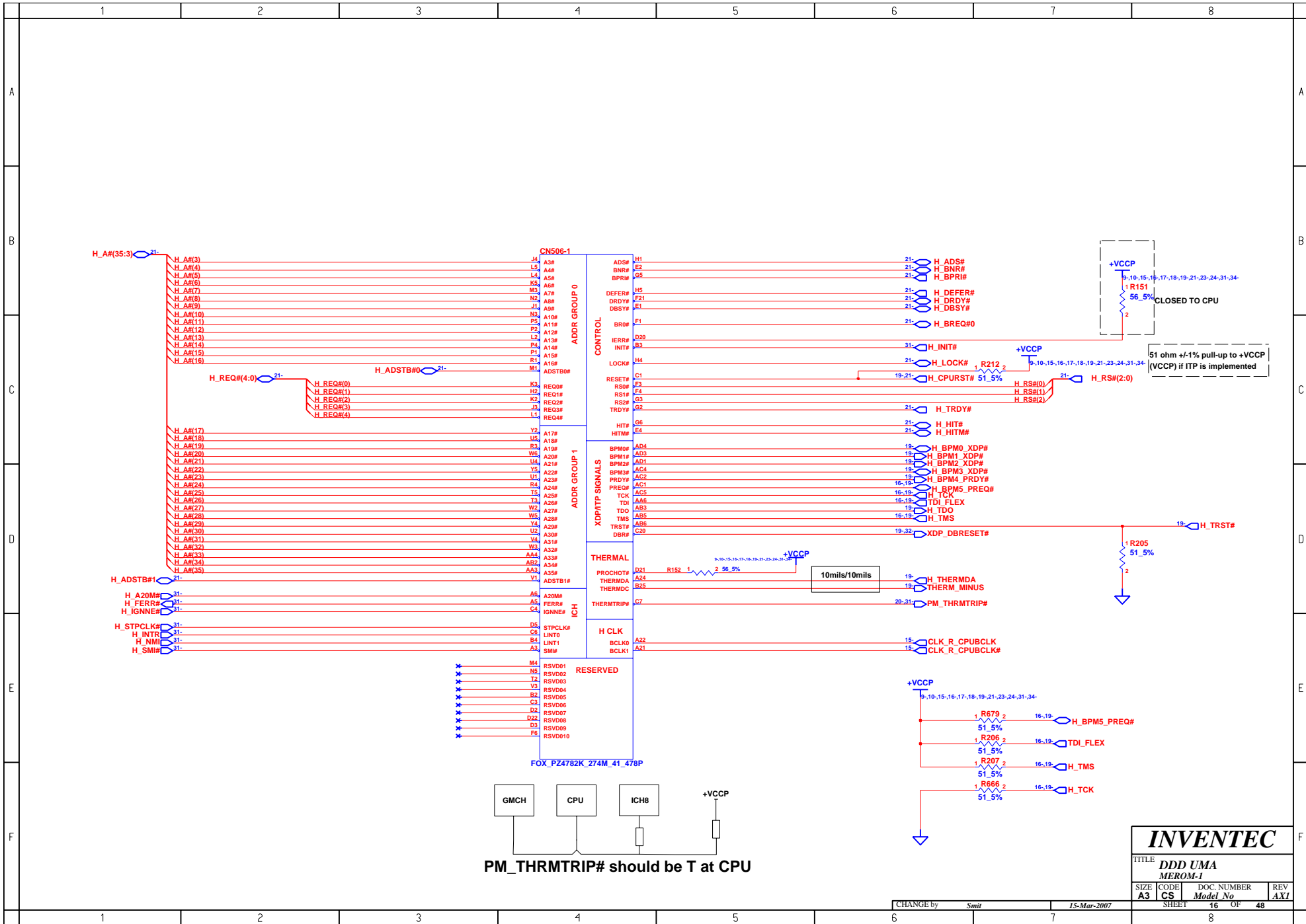
CR#_C	Byte5: bit2 =0(PWD)	Byte5: bit2 =1	CR#_D	Byte5: bit0 =0(PWD)	Byte5: bit0 =1
	SRC0	SRC2		SRC1	SRC4
Byte5: bit3=0, disable CR#_C; 1,enable CR#_C			Byte5: bit1=0, disable CR#_D; 1,enable CR#_D		

CR#_E	Byte6: bit7=0, disable CR#_E; 1,enable CR#_E	SRC6
CR#_F	Byte6: bit6=0, disable CR#_F; 1,enable CR#_F	SRC8
CR#_G	Byte6: bit5=0, disable CR#_G; 1,enable CR#_G	SRC9
CR#_H	Byte6: bit4=0, disable CR#_H; 1,enable CR#_H	SRC10

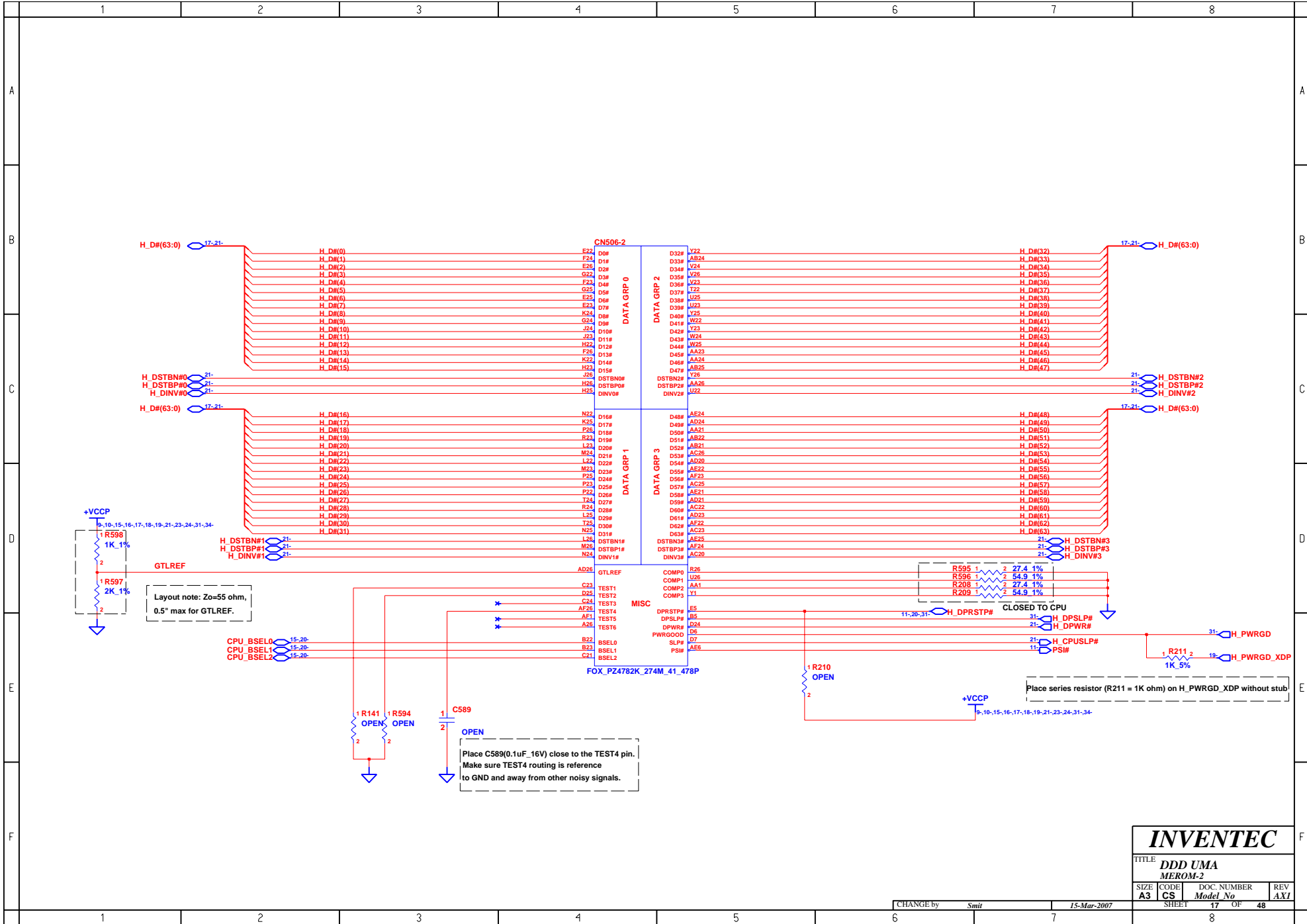


LAYOUT NOTES : THE R250 , R251 CLOSED TO U509

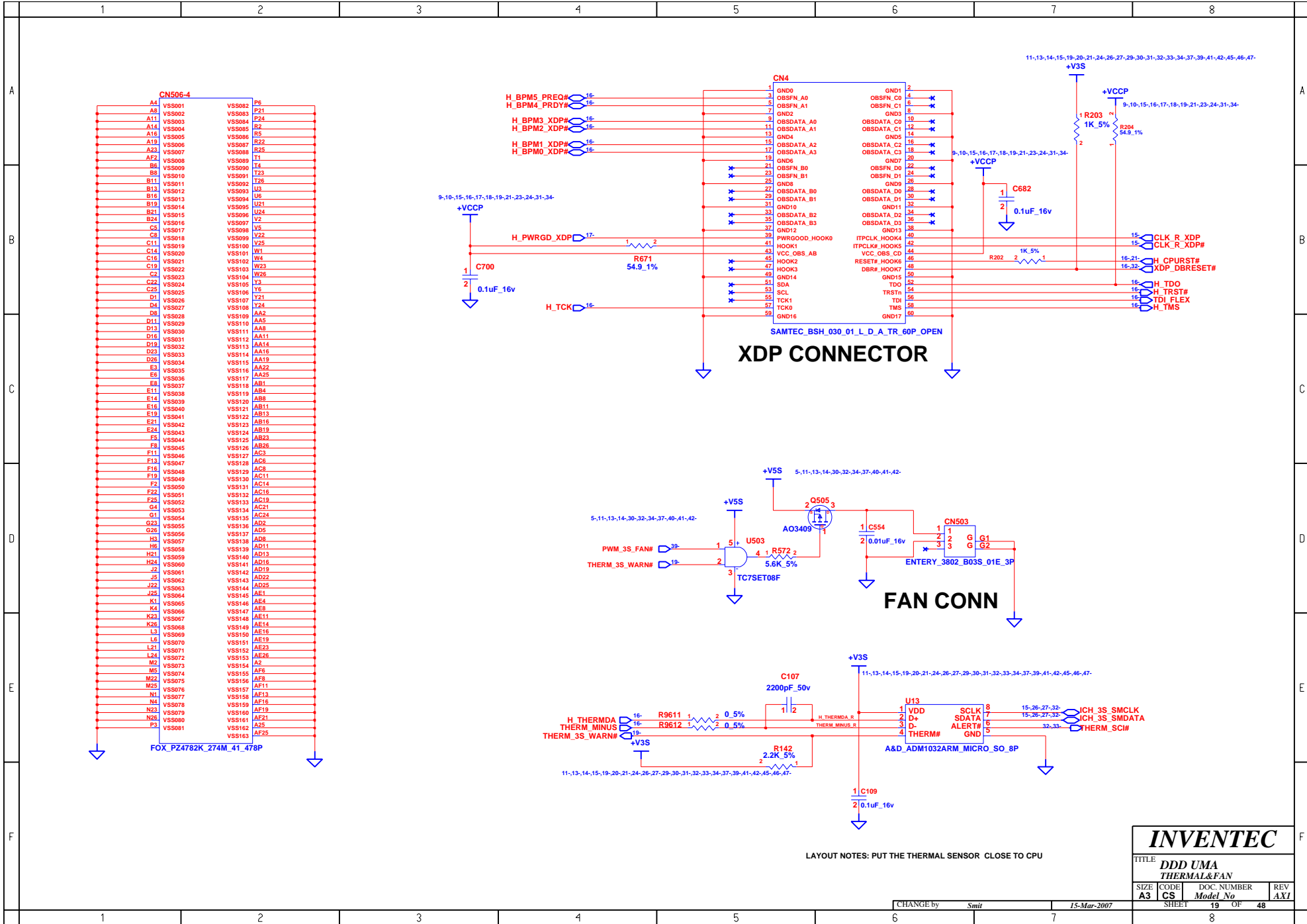
INVENTEC			
TITLE DDD UMA CLOCK GENERATOR			
SIZE A3	CODE CS	DOC NUMBER Model No	REV AX1
CHANGE by Smit		15-Mar-2007	
SHEET 15		OF 48	



INVENTEC			
TITLE DDD UMA MEROM-1			
SIZE A3	CODE CS	DOC. NUMBER Model No	REV AXI
SHEET		16 OF 48	



INVENTEC			
TITLE DDD UMA MEROM-2			
SIZE A3	CODE CS	DOC. NUMBER Model No	REV AXI
CHANGE by Smit		15-Mar-2007	SHEET 17 OF 48

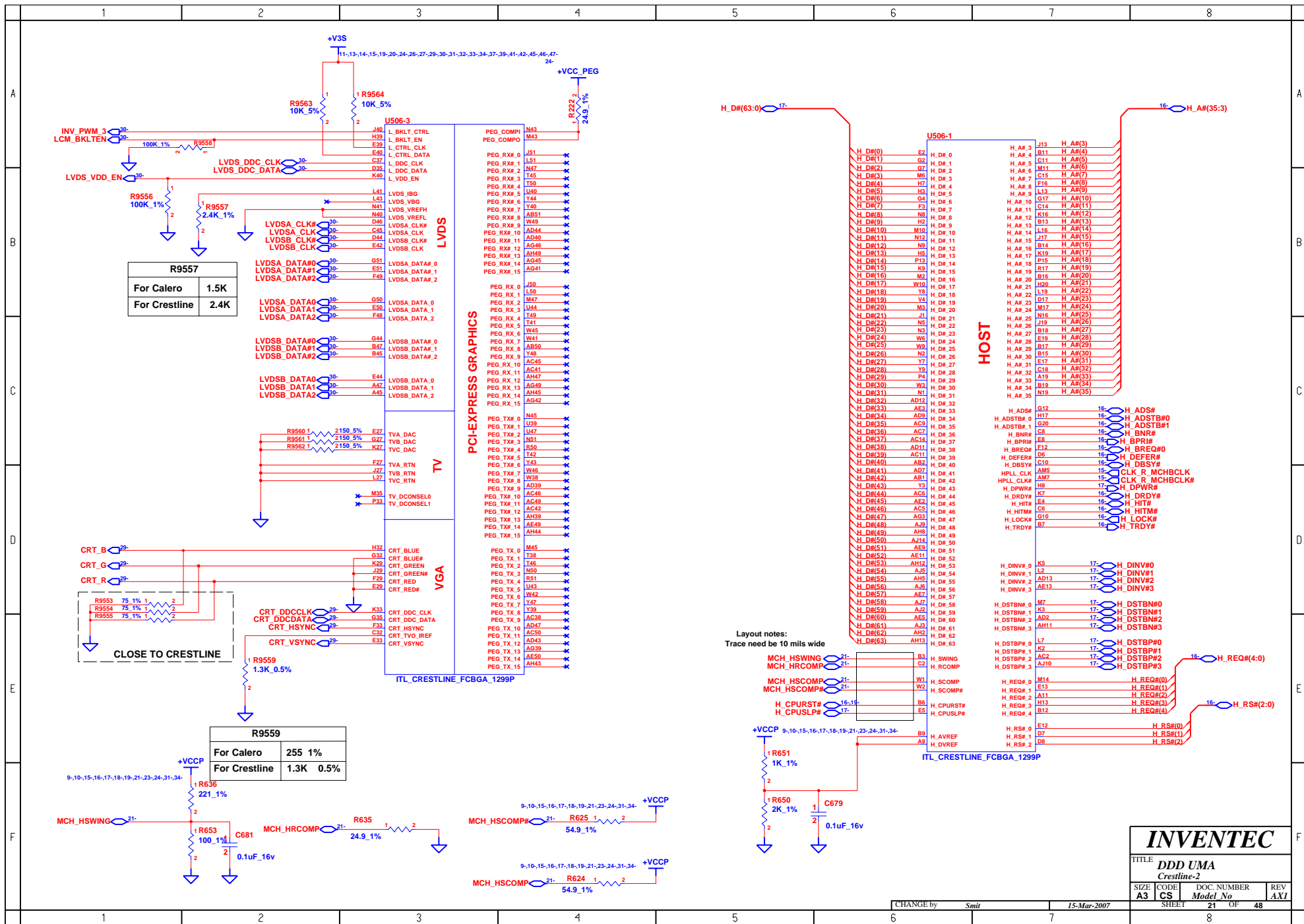


XDP CONNECTOR

FAN CONN

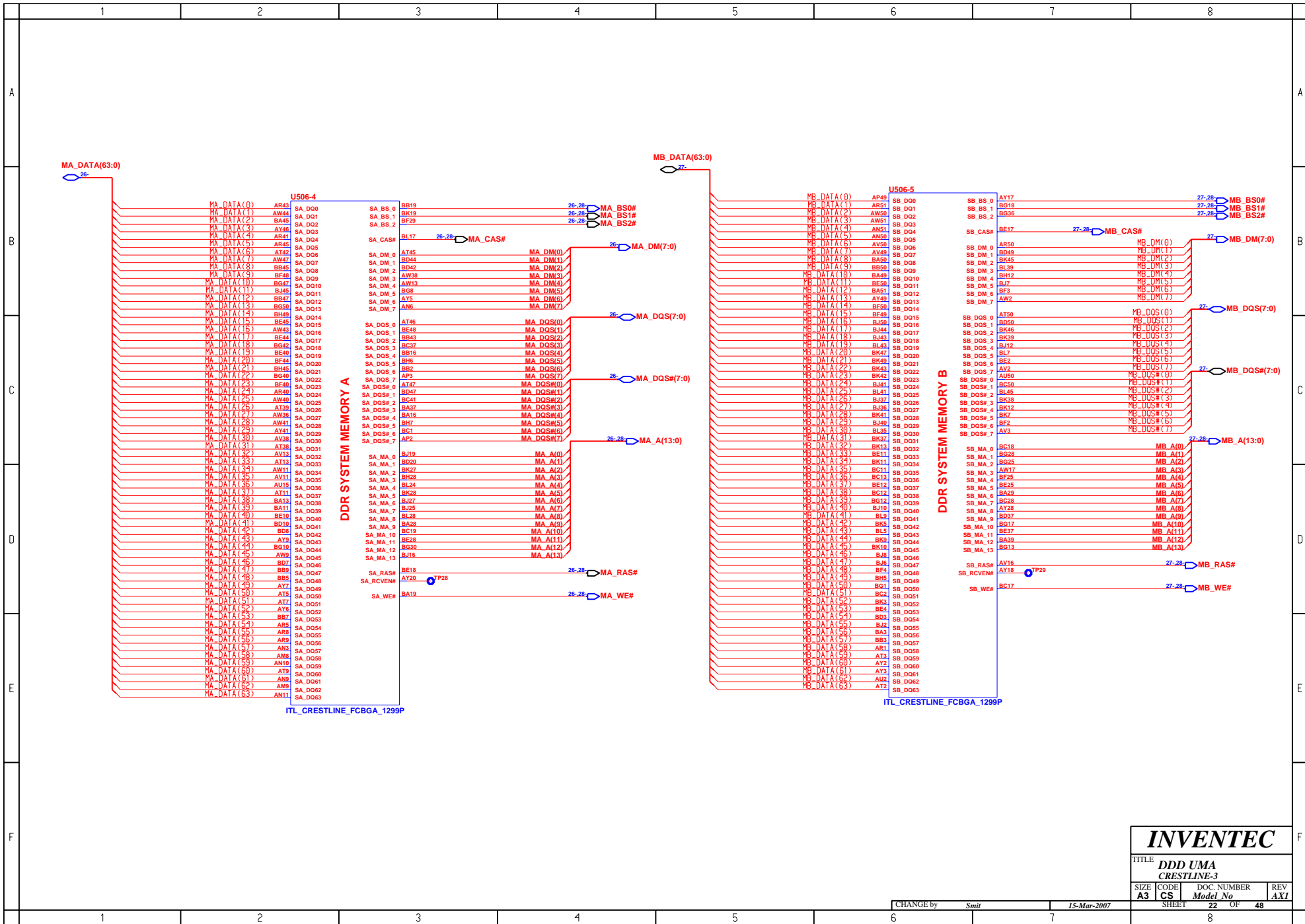
LAYOUT NOTES: PUT THE THERMAL SENSOR CLOSE TO CPU

INVENTEC			
TITLE DDD UMA THERMAL&FAN			
SIZE A3	CODE CS	DOC. NUMBER <i>Model No</i>	REV AXI
CHANGE by <i>Smit</i>		15-Mar-2007	SHEET 19 OF 48

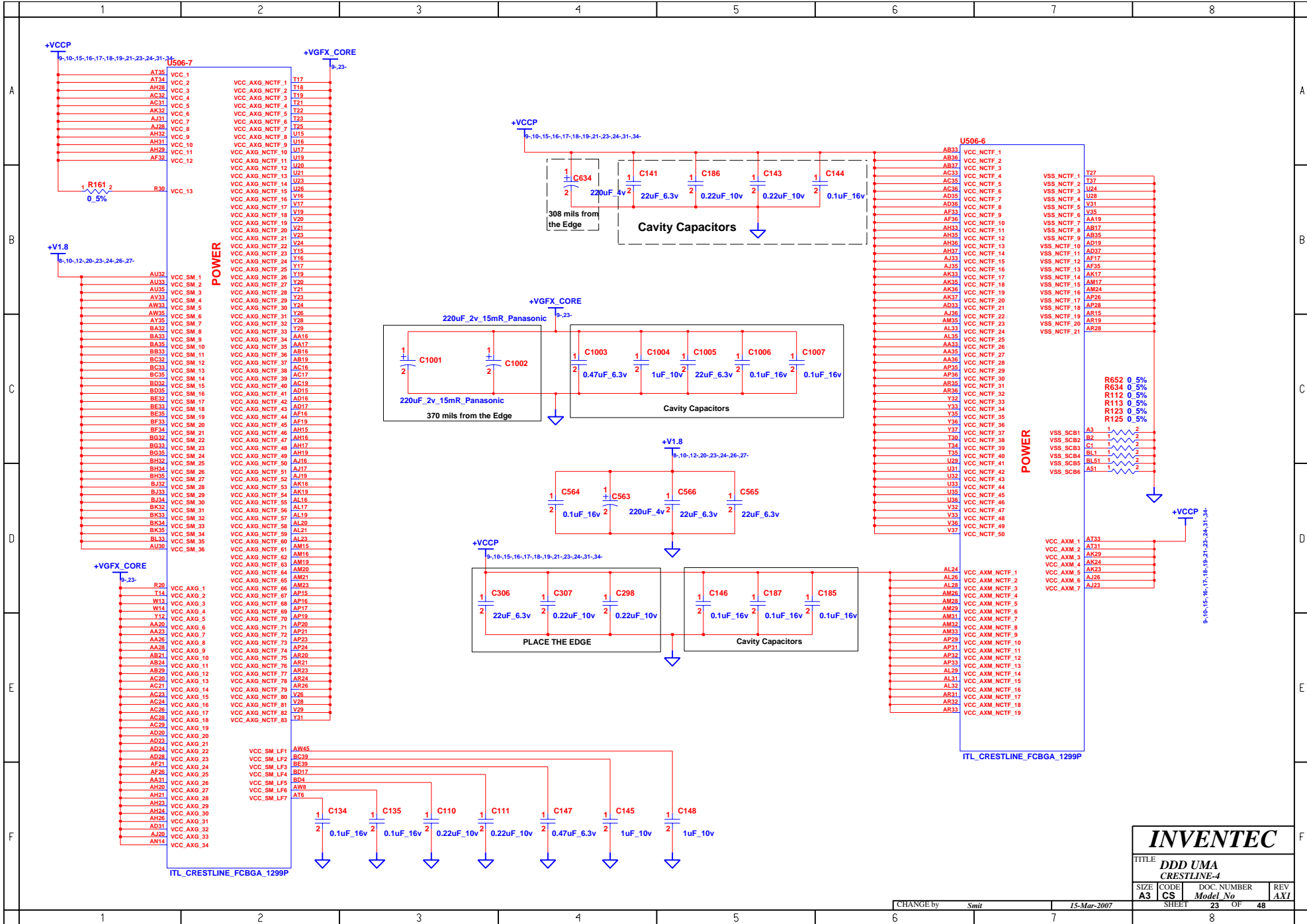


Layout notes:
Trace need be 10 mils wide

INVENTEC			
TITLE DDD UMA Crestline-2			
SIZE A3	CODE CS	DOC. NUMBER Model No	REV AXI
CHANGE by Smit		15-Mar-2007	
SHEET 21		OF 48	

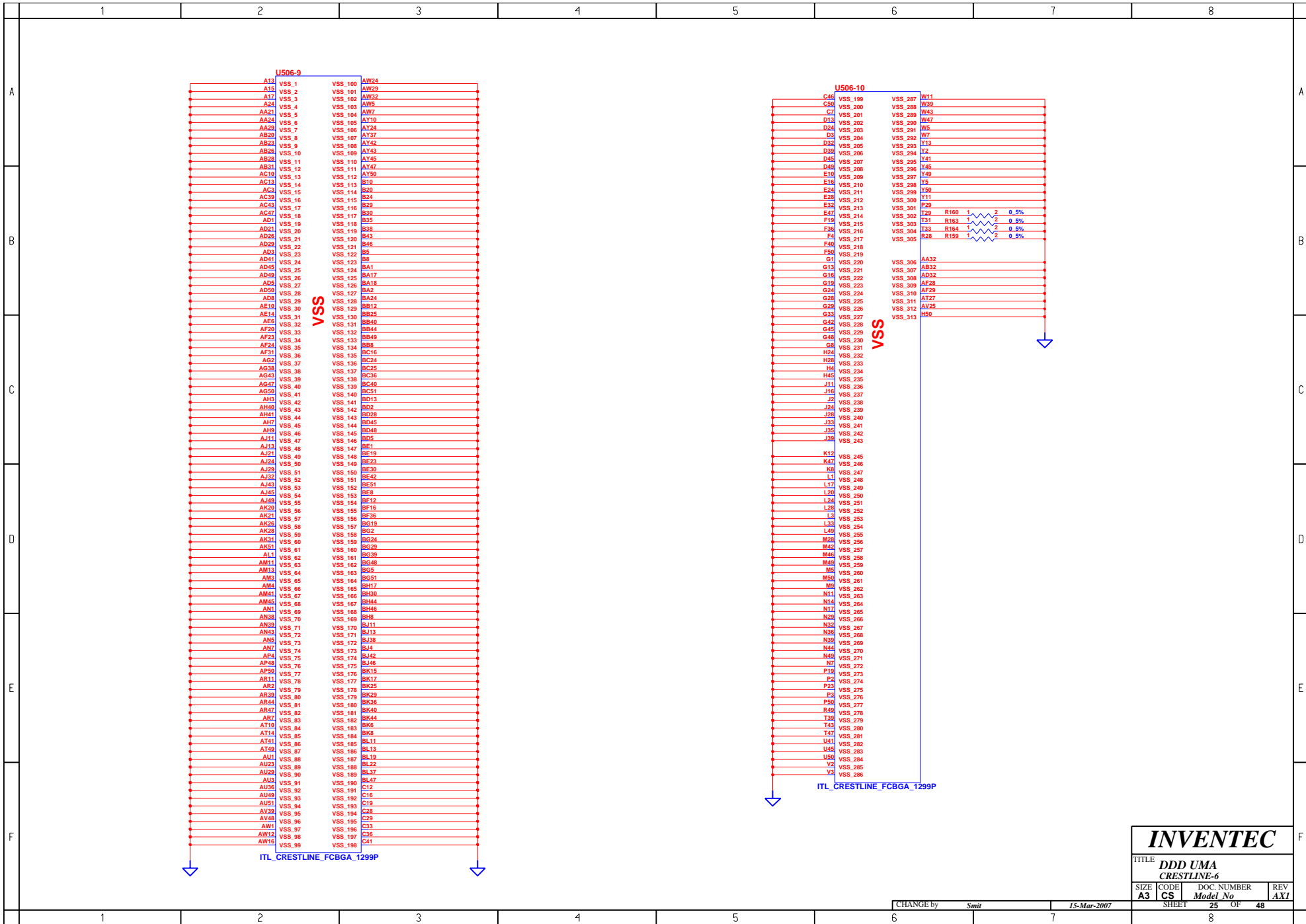


INVENTEC			
TITLE DDD UMA CRESTLINE-3			
SIZE A3	CODE CS	DOC. NUMBER Model No	REV AX1
CHANGE by Smit		15-Mar-2007	SHEET 22 OF 48



INVENTEC			
TITLE DDD UMA CRESTLINE-4			
SIZE A3	CODE CS	DOC. NUMBER <i>Model No</i>	REV AXI
SHEET 23		OF 48	

CHANGE by *Smit* 15-Mar-2007



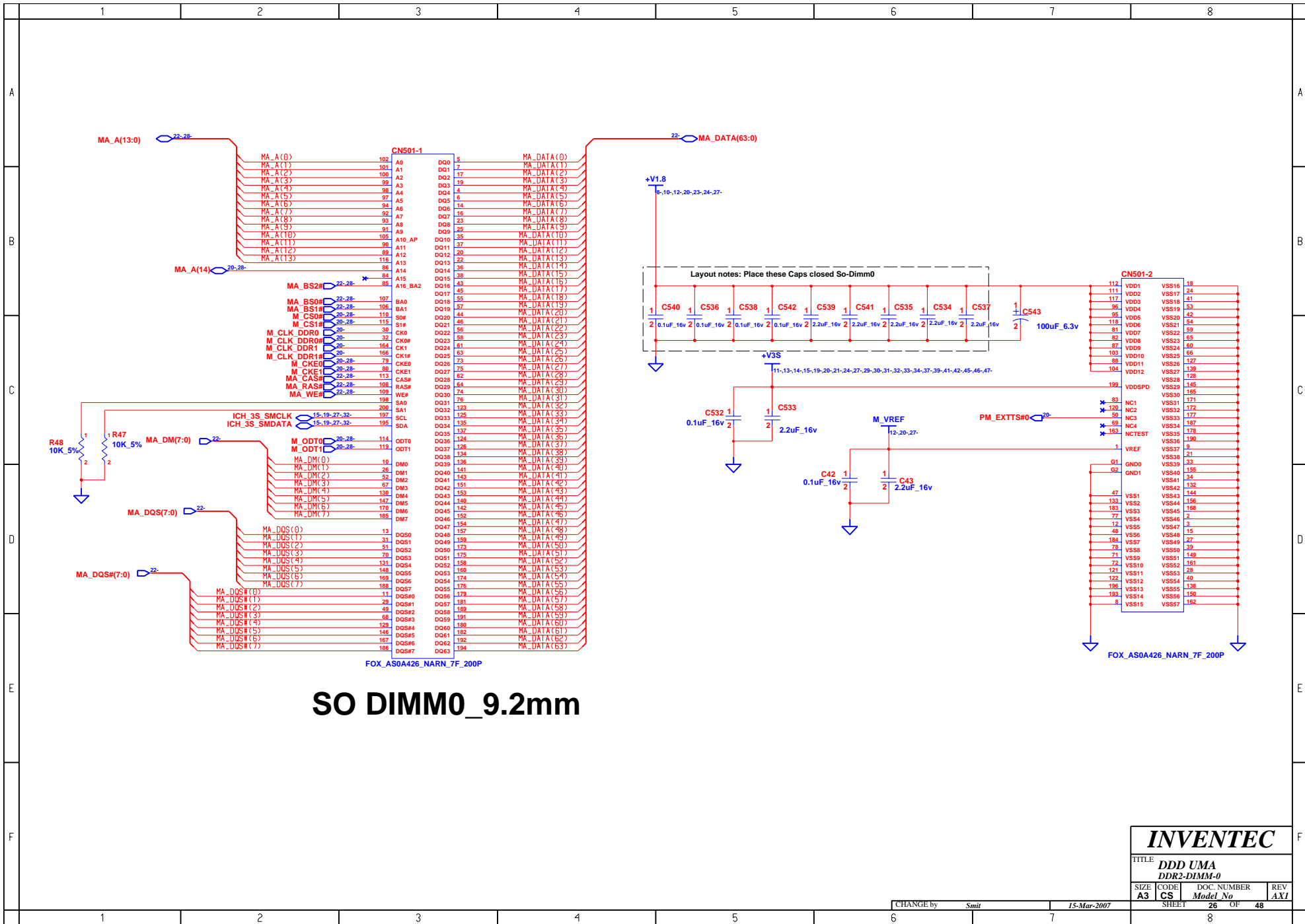
INVENTEC

TITLE
DDD UMA
CRESTLINE-6

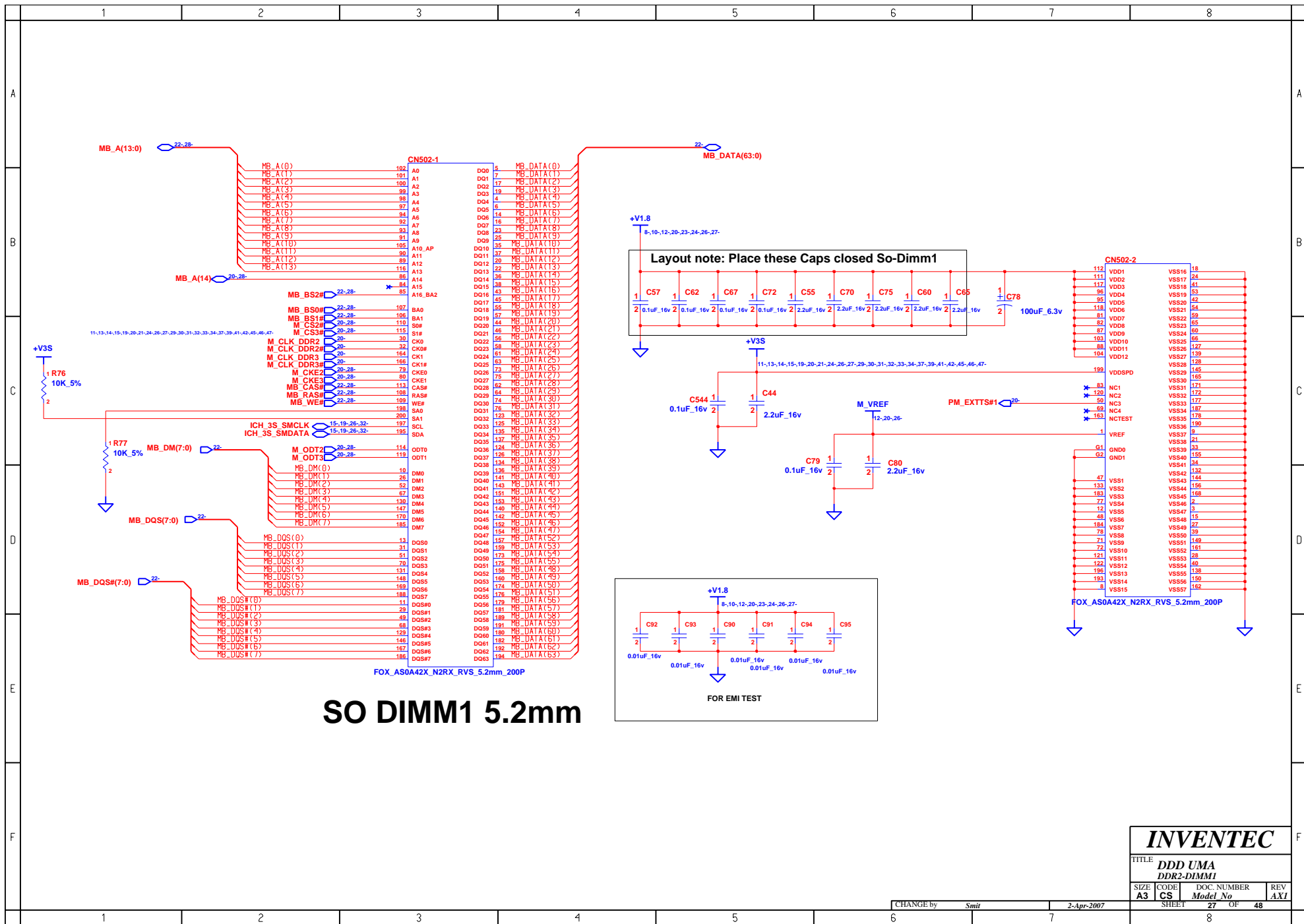
SIZE	CODE	DOC. NUMBER	REV
A3	CS	Model No	AXI

CHANGE by *Smit* 15-Mar-2007

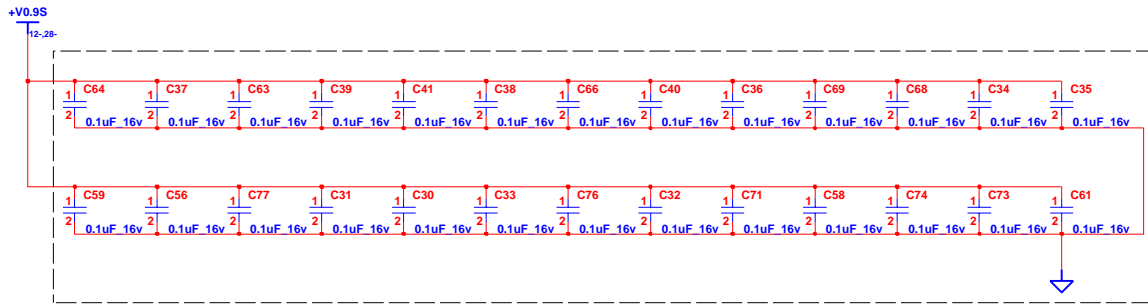
SHEET 25 OF 48



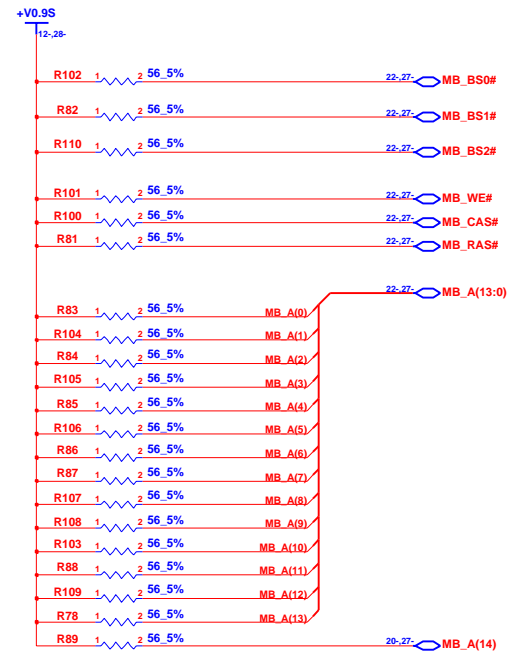
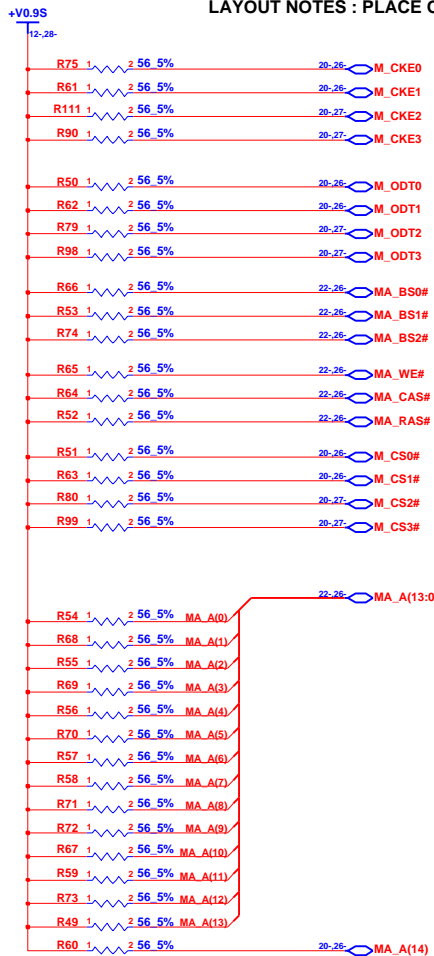
INVENTEC			
TITLE DDD UMA DDR2-DIMM-0			
SIZE A3	CODE CS	DOC. NUMBER Model No	REV AXI
CHANGE by Smit		15-Mar-2007	
SHEET 26		OF 48	



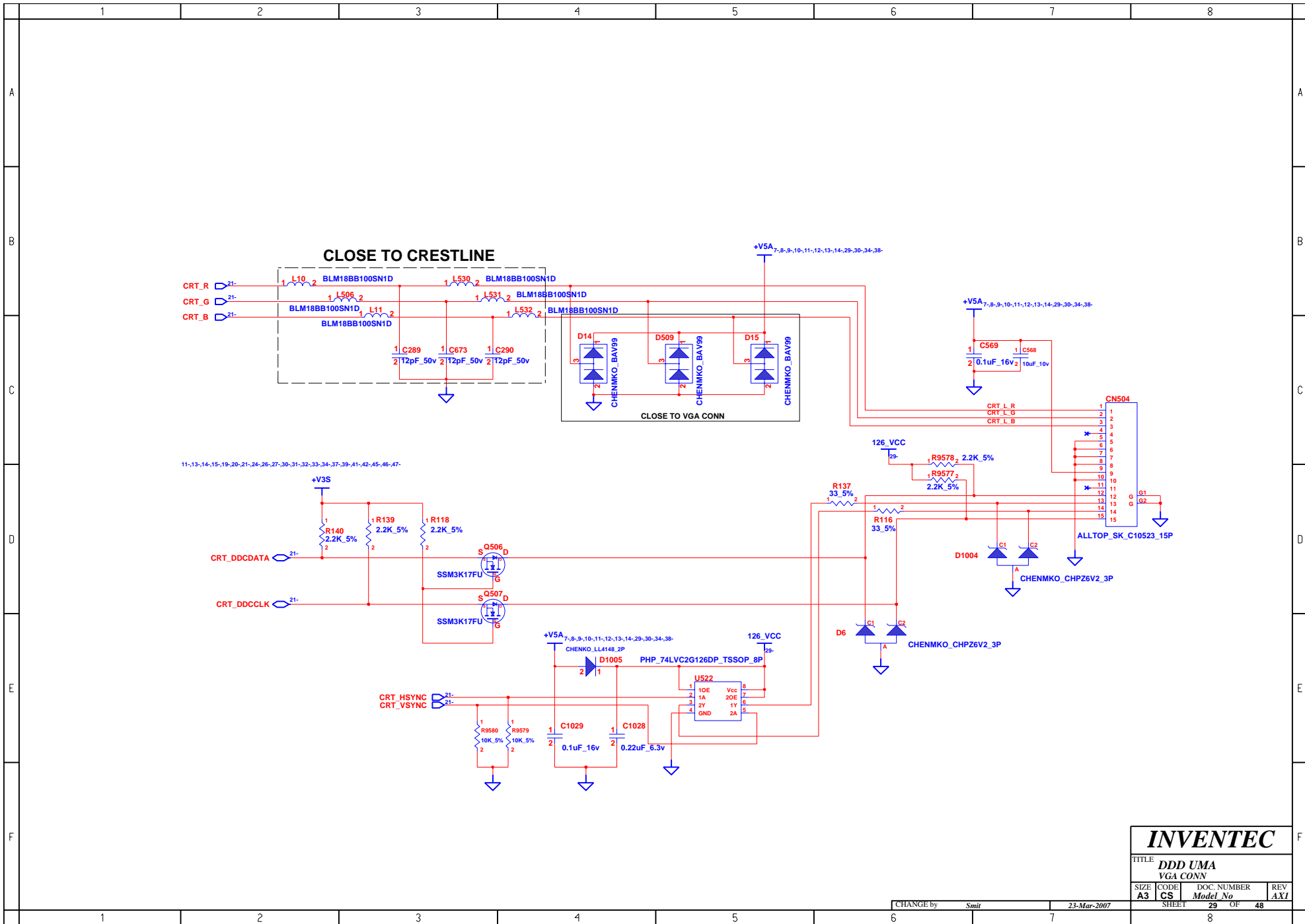
INVENTEC			
TITLE DDD UMA DDR2-DIMM1			
SIZE A3	CODE CS	DOC. NUMBER Model No	REV AX1
CHANGE by Smit		2-Apr-2007	
SHEET 27		OF 48	



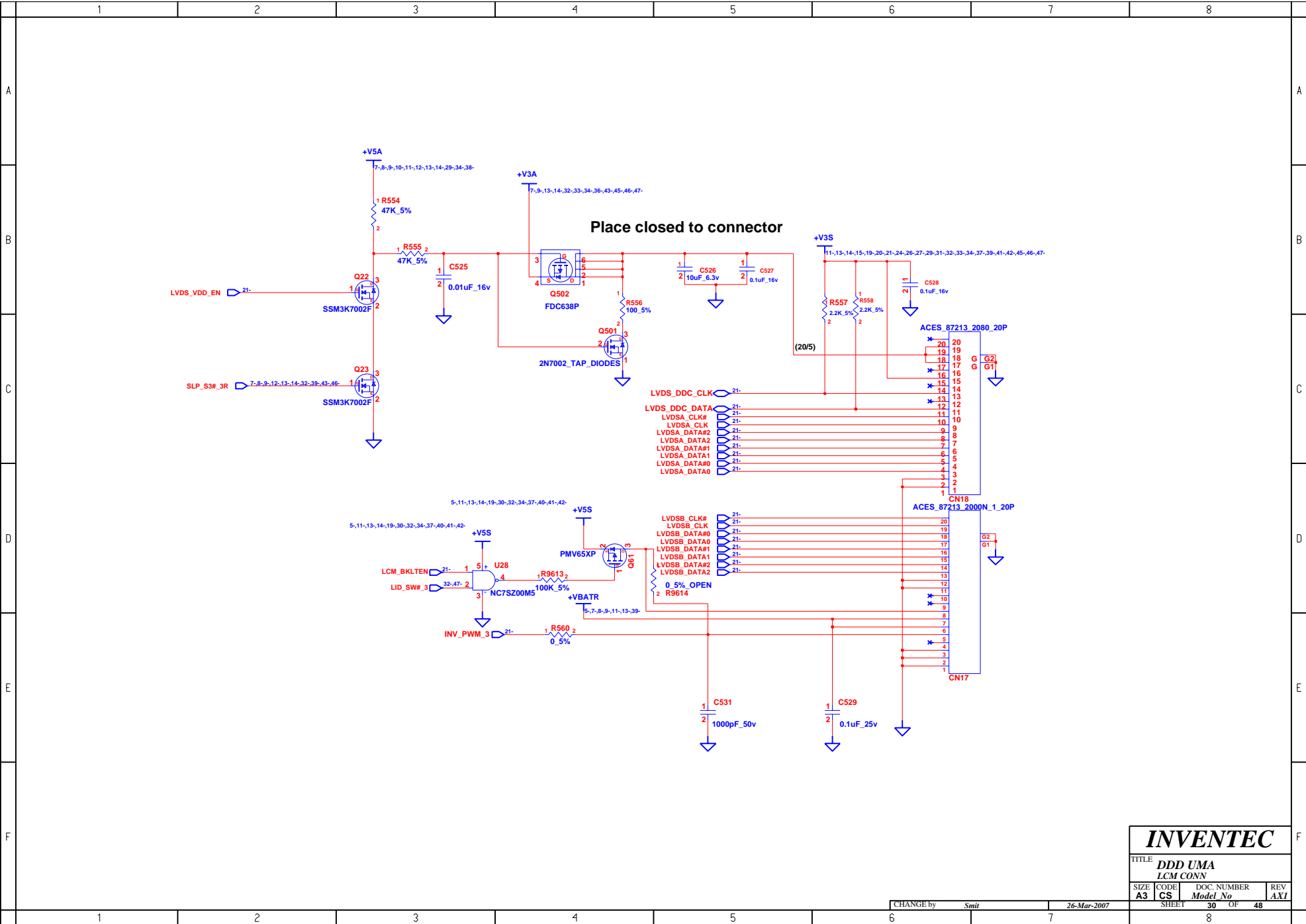
LAYOUT NOTES : PLACE ONE CAP CLOSE TO EVERY 2 PULL UP RESISTOR TERMINATED TO +V0.9S



INVENTEC			
TITLE DDD UMA DDR2-DAMPING			
SIZE A3	CODE CS	DOC NUMBER <i>Model No</i>	REV AXI
CHANGE by <i>Smr</i>		27-Sep-2003	SHEET 28 OF 48



INVENTEC			
TITLE DDD UMA VGA CONN			
SIZE A3	CODE CS	DOC. NUMBER <i>Model No</i>	REV AXI
CHANGE by <i>Smit</i>		23-Mar-2007	SHEET 29 OF 48



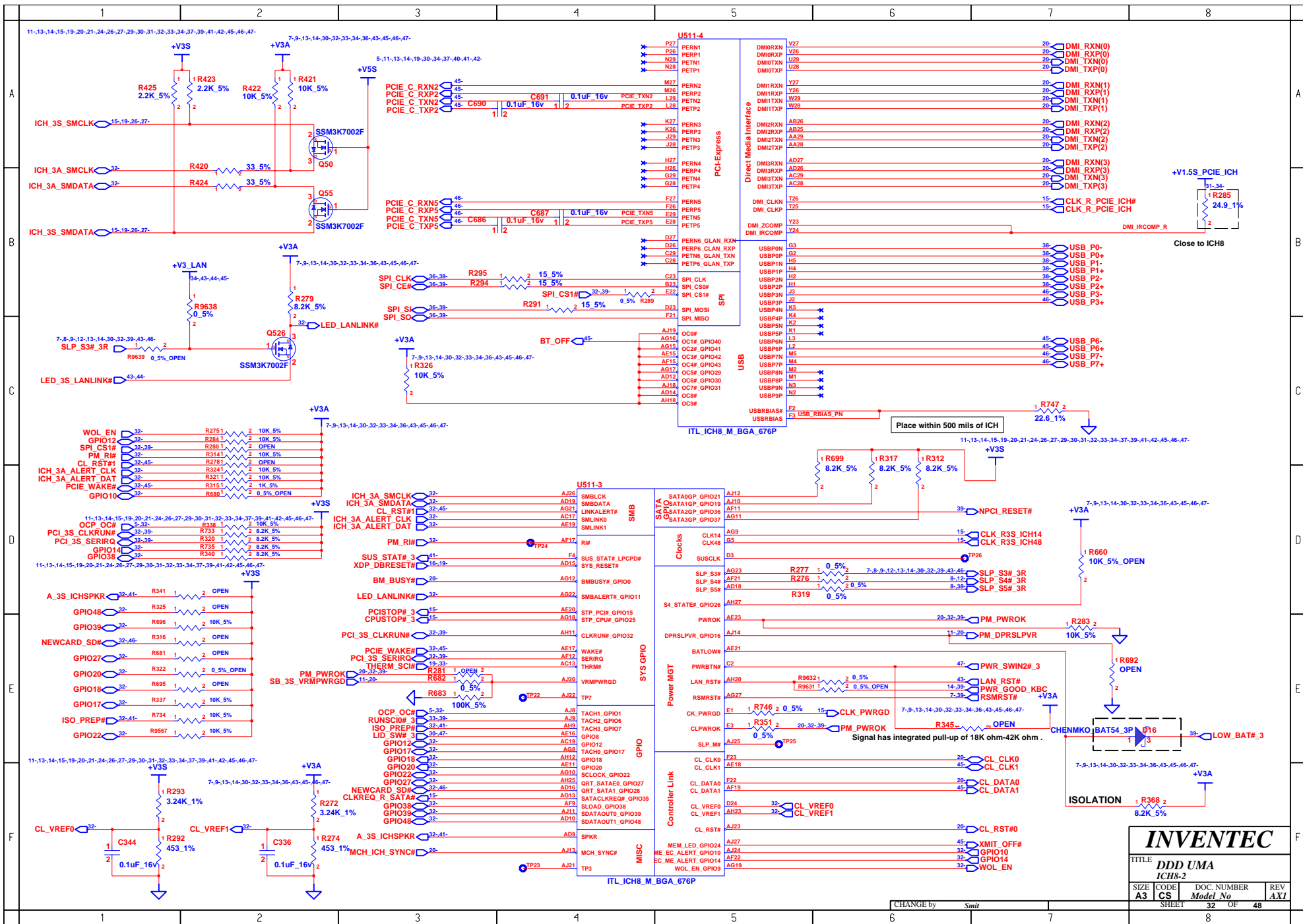
INVENTEC

TITLE
DDD UMA
LCM CONN

SIZE A3	CODE CS	DOC. NUMBER <i>Model No</i>	REV AXI
-------------------	-------------------	--------------------------------	-------------------

CHANGE by *Smit* 26-Mar-2007

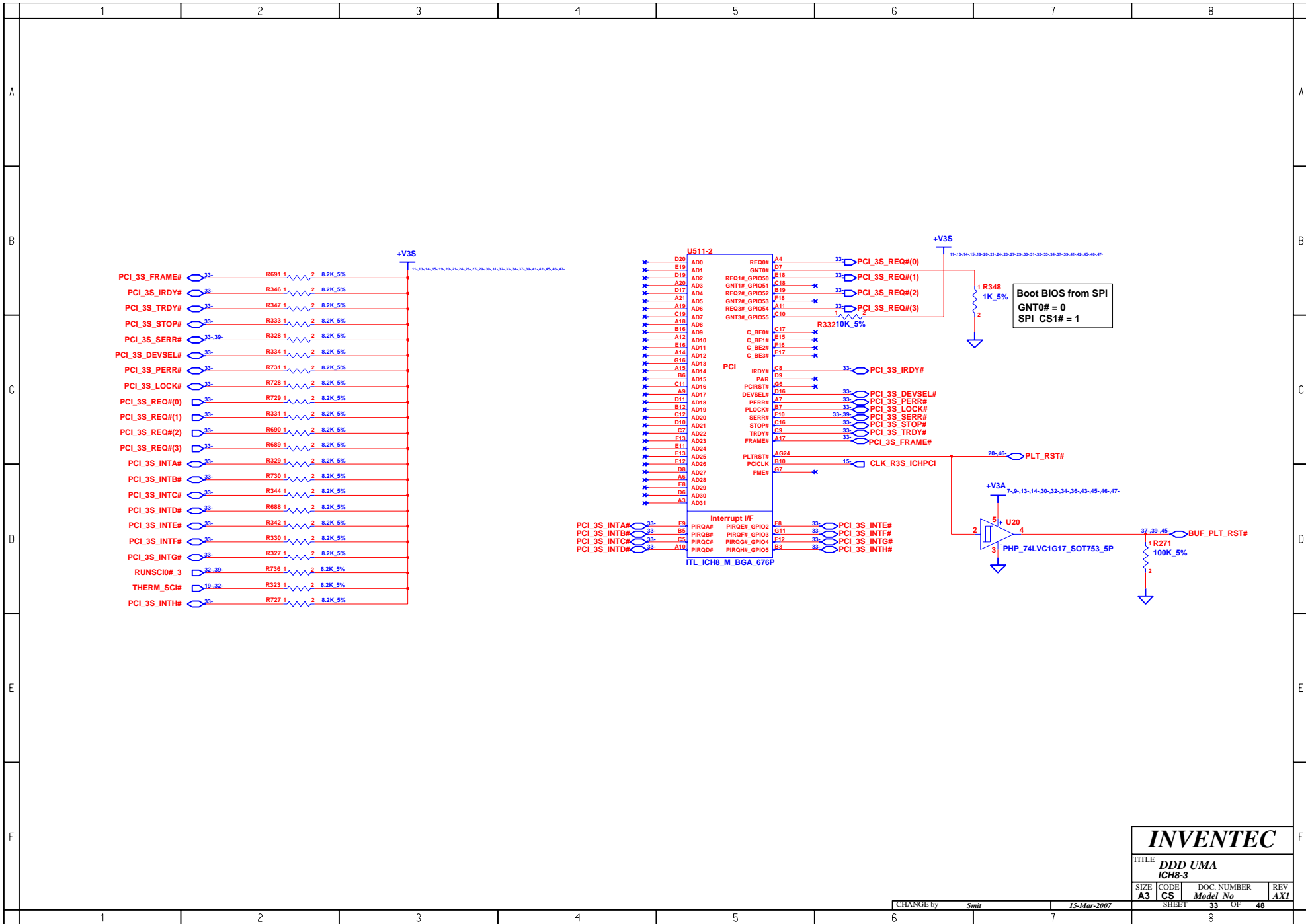
SHEET 30 OF 48



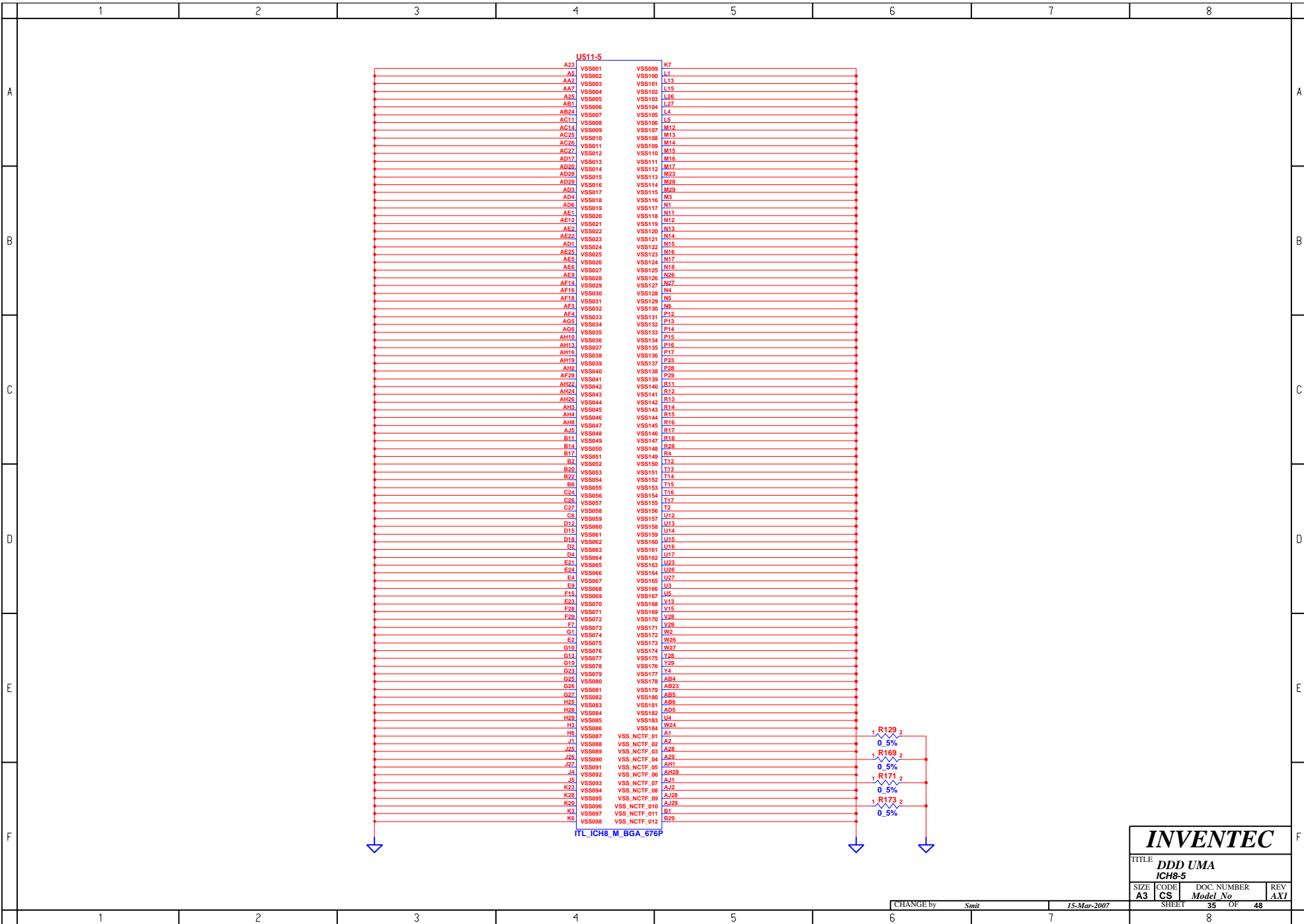
INVENTEC

TITLE DDD UMA ICH8-2			
SIZE A3	CODE CS	DOC. NUMBER Model No	REV AXI
SHEET 32		OF 48	

CHANGE by Smit



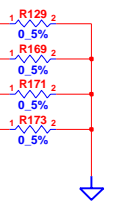
INVENTEC			
TITLE DDD UMA ICH8-3			
SIZE A3	CODE CS	DOC. NUMBER <i>Model No</i>	REV AXI
CHANGE by <i>Smit</i>		15-Mar-2007	
SHEET 33		OF 48	



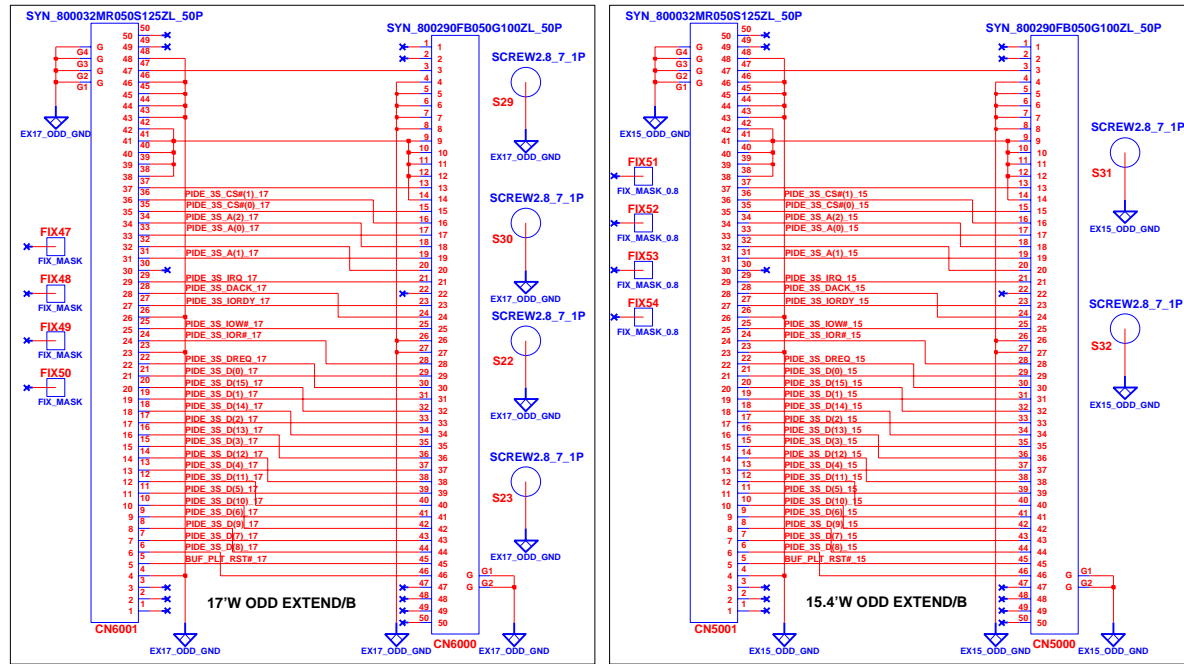
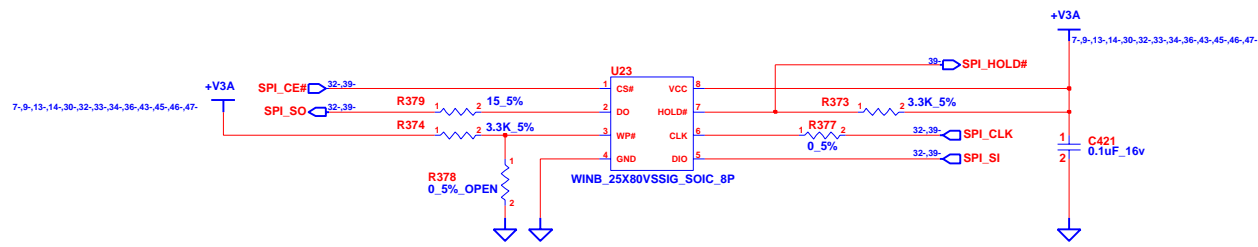
US11-5

- A23 VSS001 VSS099 K7
- AA VSS002 VSS100 L1
- AA2 VSS003 VSS101 L13
- AA7 VSS004 VSS102 L15
- AA9 VSS005 VSS103 L26
- AB1 VSS006 VSS104 L27
- AB24 VSS007 VSS105 L4
- AC11 VSS008 VSS106 L9
- AC14 VSS009 VSS107 M12
- AC25 VSS010 VSS108 M13
- AC28 VSS011 VSS109 M14
- AC27 VSS012 VSS110 M15
- AD17 VSS013 VSS111 M16
- AD20 VSS014 VSS112 M17
- AD28 VSS015 VSS113 M23
- AD29 VSS016 VSS114 M28
- AD3 VSS017 VSS115 M29
- AD4 VSS018 VSS116 M3
- AD6 VSS019 VSS117 N1
- AE1 VSS020 VSS118 N11
- AE12 VSS021 VSS119 N12
- AE2 VSS022 VSS120 N13
- AE22 VSS023 VSS121 N14
- AD1 VSS024 VSS122 N15
- AE26 VSS025 VSS123 N16
- AE5 VSS026 VSS124 N17
- AE6 VSS027 VSS125 N18
- AE9 VSS028 VSS126 N29
- AF14 VSS029 VSS127 N27
- AF16 VSS030 VSS128 N4
- AF18 VSS031 VSS129 N5
- AF3 VSS032 VSS130 N6
- AF4 VSS033 VSS131 P12
- AG5 VSS034 VSS132 P13
- AG6 VSS035 VSS133 P14
- AH10 VSS036 VSS134 P15
- AH13 VSS037 VSS135 P16
- AH16 VSS038 VSS136 P17
- AH19 VSS039 VSS137 P23
- AF28 VSS040 VSS138 P28
- AH22 VSS041 VSS139 P29
- AH24 VSS042 VSS140 R11
- AH26 VSS043 VSS141 R12
- AH3 VSS044 VSS142 R13
- AH3 VSS045 VSS143 R14
- AH4 VSS046 VSS144 R15
- AH8 VSS047 VSS145 R16
- AJ5 VSS048 VSS146 R17
- B11 VSS049 VSS147 R18
- B14 VSS050 VSS148 R28
- B17 VSS051 VSS149 R4
- B2 VSS052 VSS150 T12
- B20 VSS053 VSS151 T13
- B22 VSS054 VSS152 T14
- B6 VSS055 VSS153 T15
- C24 VSS056 VSS154 T16
- C28 VSS057 VSS155 T17
- C27 VSS058 VSS156 T2
- C6 VSS059 VSS157 U12
- D12 VSS060 VSS158 U13
- D15 VSS061 VSS159 U14
- D18 VSS062 VSS160 U15
- D2 VSS063 VSS161 U16
- D4 VSS064 VSS162 U17
- E21 VSS065 VSS163 U23
- E24 VSS066 VSS164 U26
- E4 VSS067 VSS165 U27
- E9 VSS068 VSS166 U3
- F15 VSS069 VSS167 U5
- E24 VSS070 VSS168 V13
- F28 VSS071 VSS169 V15
- F28 VSS072 VSS170 V28
- F7 VSS073 VSS171 V29
- G1 VSS074 VSS172 W2
- E2 VSS075 VSS173 W26
- G10 VSS076 VSS174 W27
- G13 VSS077 VSS175 Y28
- G19 VSS078 VSS176 Y29
- G23 VSS079 VSS177 Y4
- G25 VSS080 VSS178 AB4
- G26 VSS081 VSS179 AB23
- G27 VSS082 VSS180 AB5
- H25 VSS083 VSS181 AB6
- H28 VSS084 VSS182 AD5
- H29 VSS085 VSS183 AD
- H3 VSS086 VSS184 W24
- H6 VSS087 VSS184 A1
- J1 VSS088 VSS_NCTF_01 A2
- J26 VSS089 VSS_NCTF_02 A28
- J26 VSS090 VSS_NCTF_03 A29
- J27 VSS091 VSS_NCTF_04 AH1
- J4 VSS092 VSS_NCTF_05 AH29
- J5 VSS093 VSS_NCTF_06 A11
- K23 VSS094 VSS_NCTF_07 A12
- K28 VSS095 VSS_NCTF_08 AJ28
- K29 VSS096 VSS_NCTF_09 AJ29
- K3 VSS097 VSS_NCTF_D10 B1
- K6 VSS098 VSS_NCTF_D11 B9
- K6 VSS098 VSS_NCTF_D12 B9

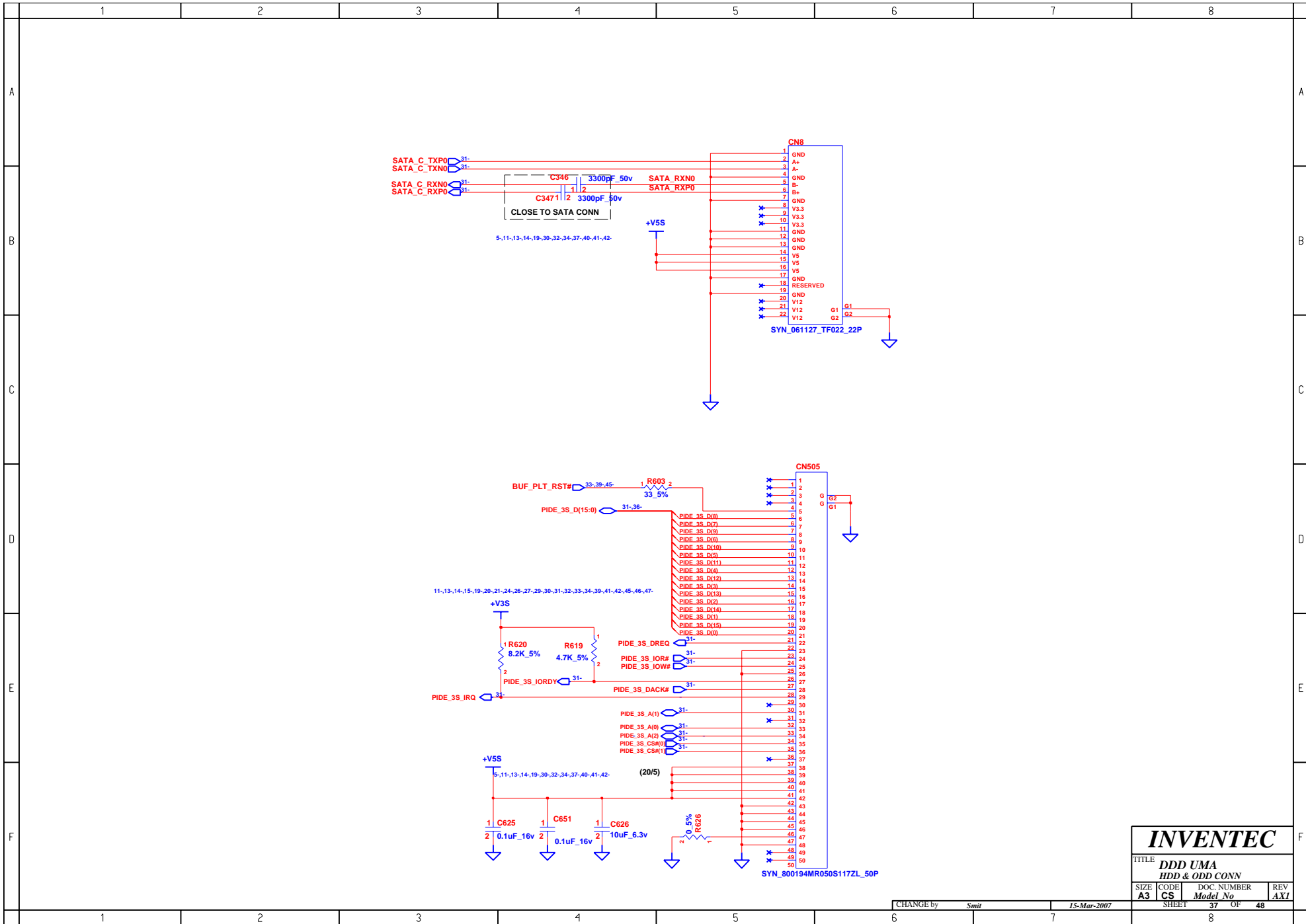
ITL_ICH8_M_BGA_676P



INVENTEC			
TITLE DDD UMA ICH8-5			
SIZE A3	CODE CS	DOC. NUMBER Model No	REV AXI
CHANGE by Smit		15-Mar-2007	
SHEET		35 OF 48	
1		8	

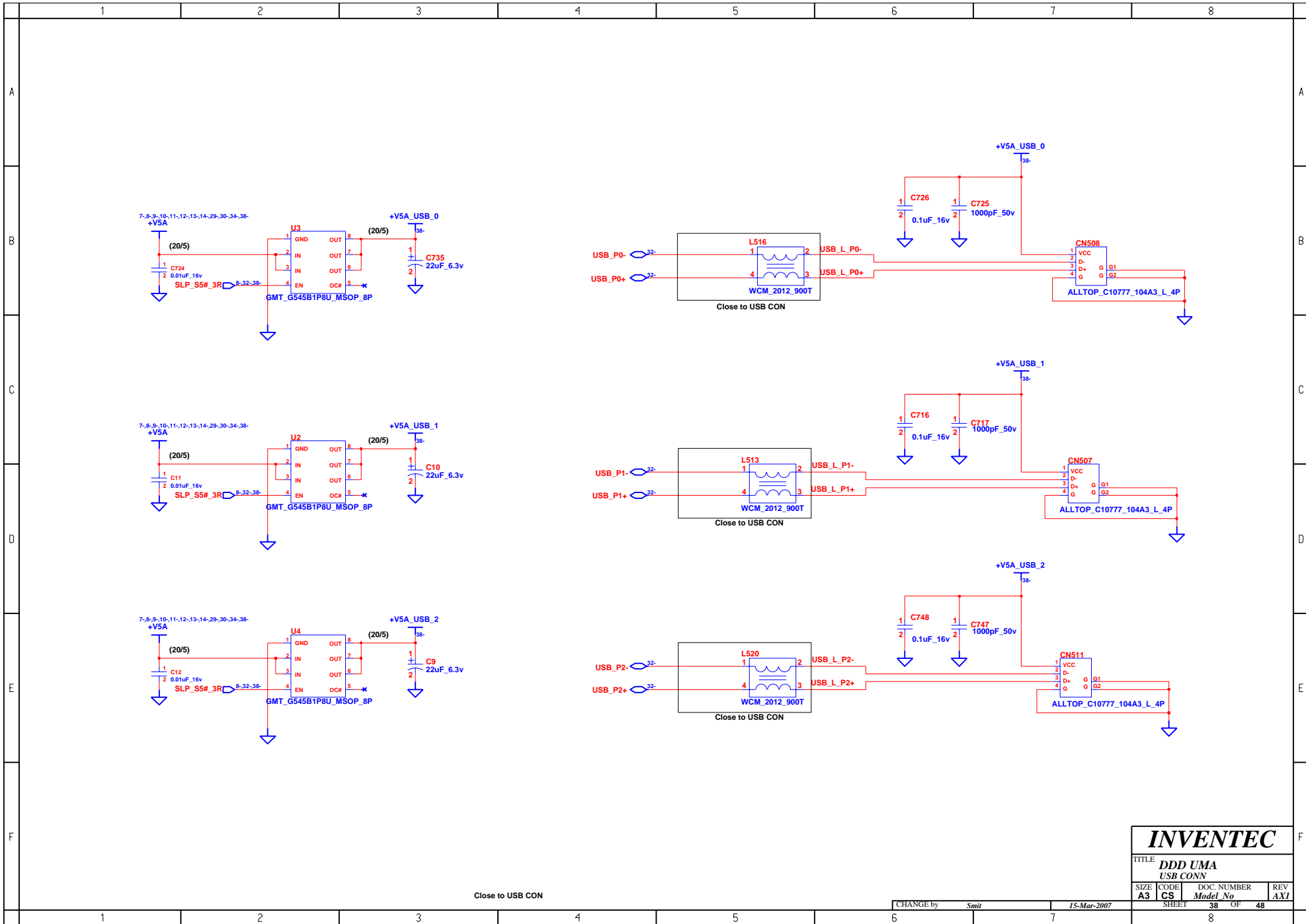


INVENTEC			
TITLE DDD UMA			
SYSTEM BIOS&ODD EXT/B			
SIZE	CODE	DOC. NUMBER	REV
A3	CS	Model No	AX1
CHANGE by		Smit	15-Mar-2007
SHEET		36	OF 48



INVENTEC			
TITLE DDD UMA HDD & ODD CONN			
SIZE A3	CODE CS	DOC. NUMBER Model No	REV AX1
SHEET		37	OF 48

CHANGE by Smit 15-Mar-2007

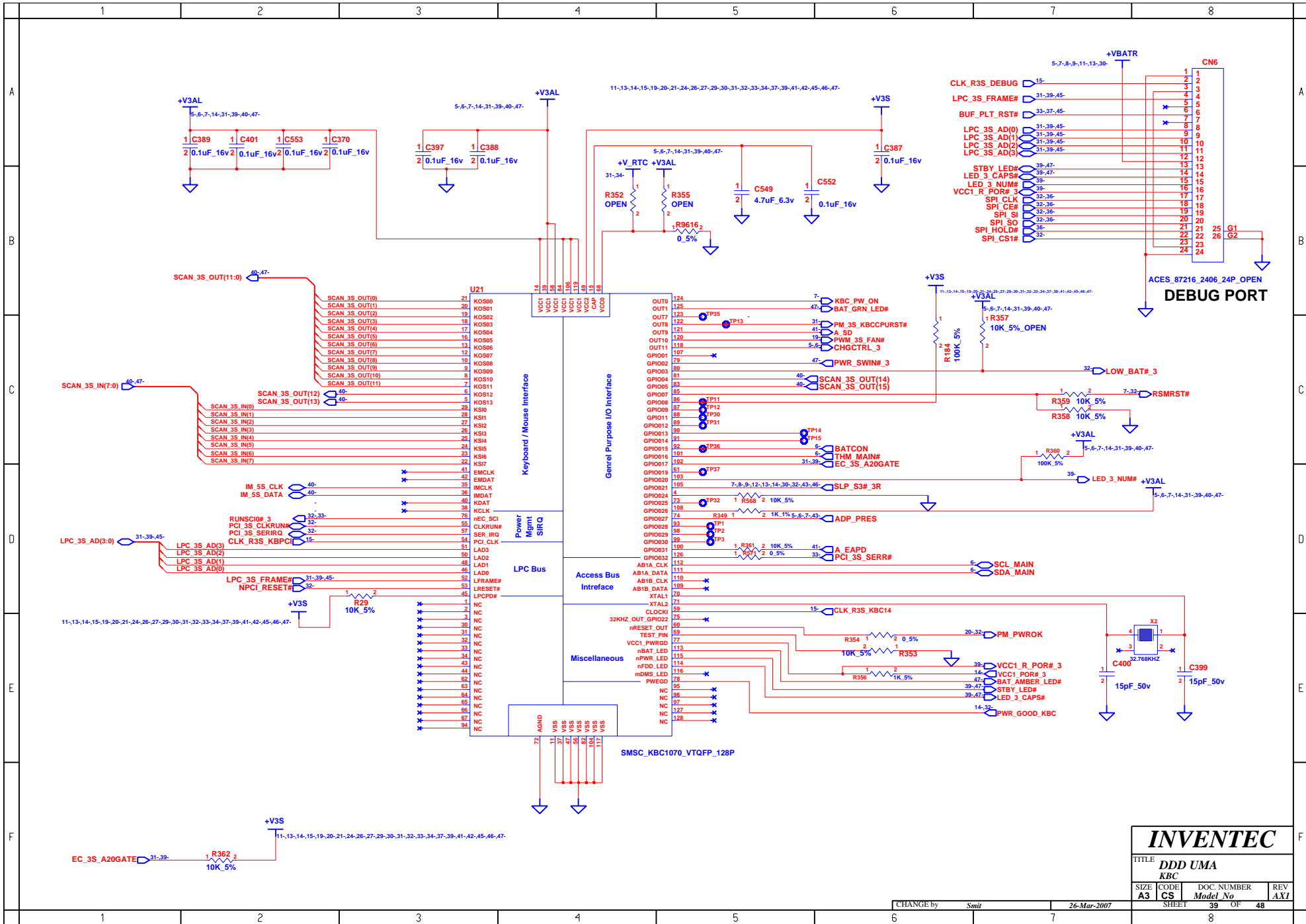


Close to USB CON

INVENTEC

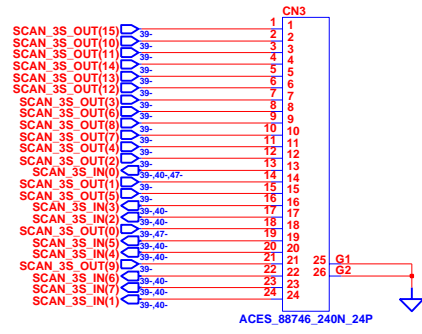
TITLE			
DDD UMA			
USB CONN			
SIZE	CODE	DOC. NUMBER	REV
A3	CS	Model No	AXI
SHEET		OF	
38		48	

CHANGE by Smit 15-Mar-2007

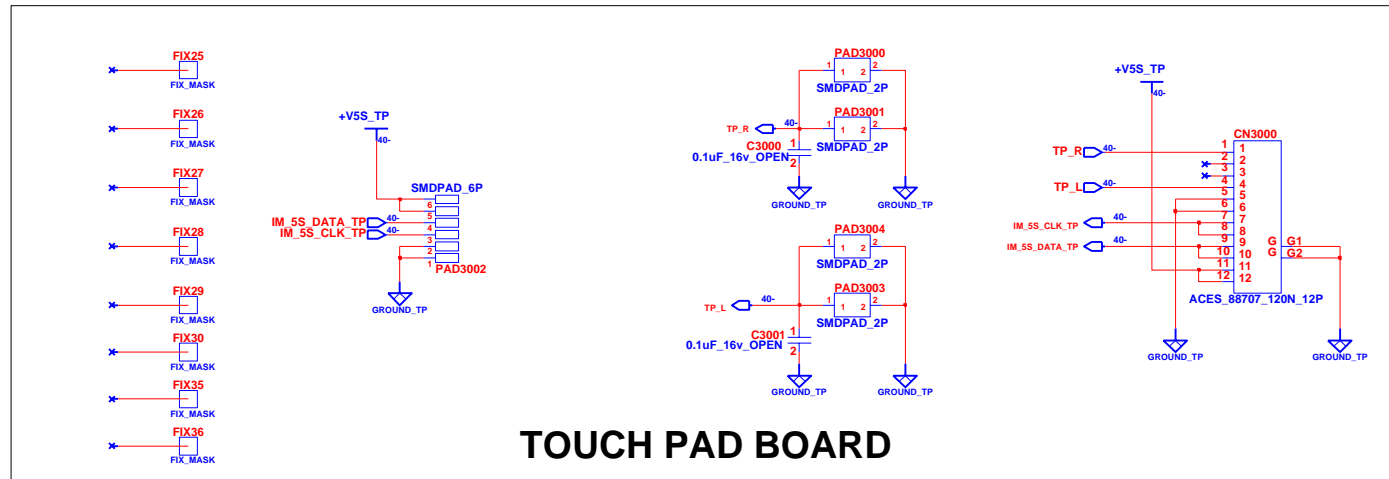
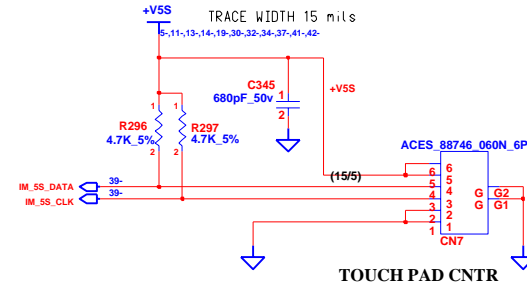
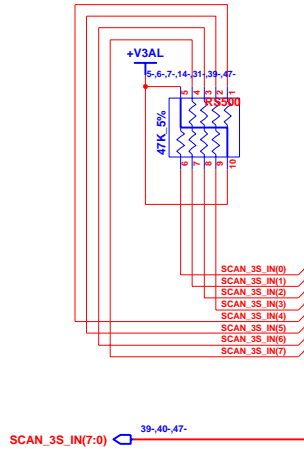


INVENTEC			
TITLE DDD UMA KBC			
SIZE A3	CODE CS	DOC. NUMBER 26-Mar-2007	REV AXI
SHEET 39		OF 48	

CHANGE by Smit 26-Mar-2007



KEYBOARD CONN

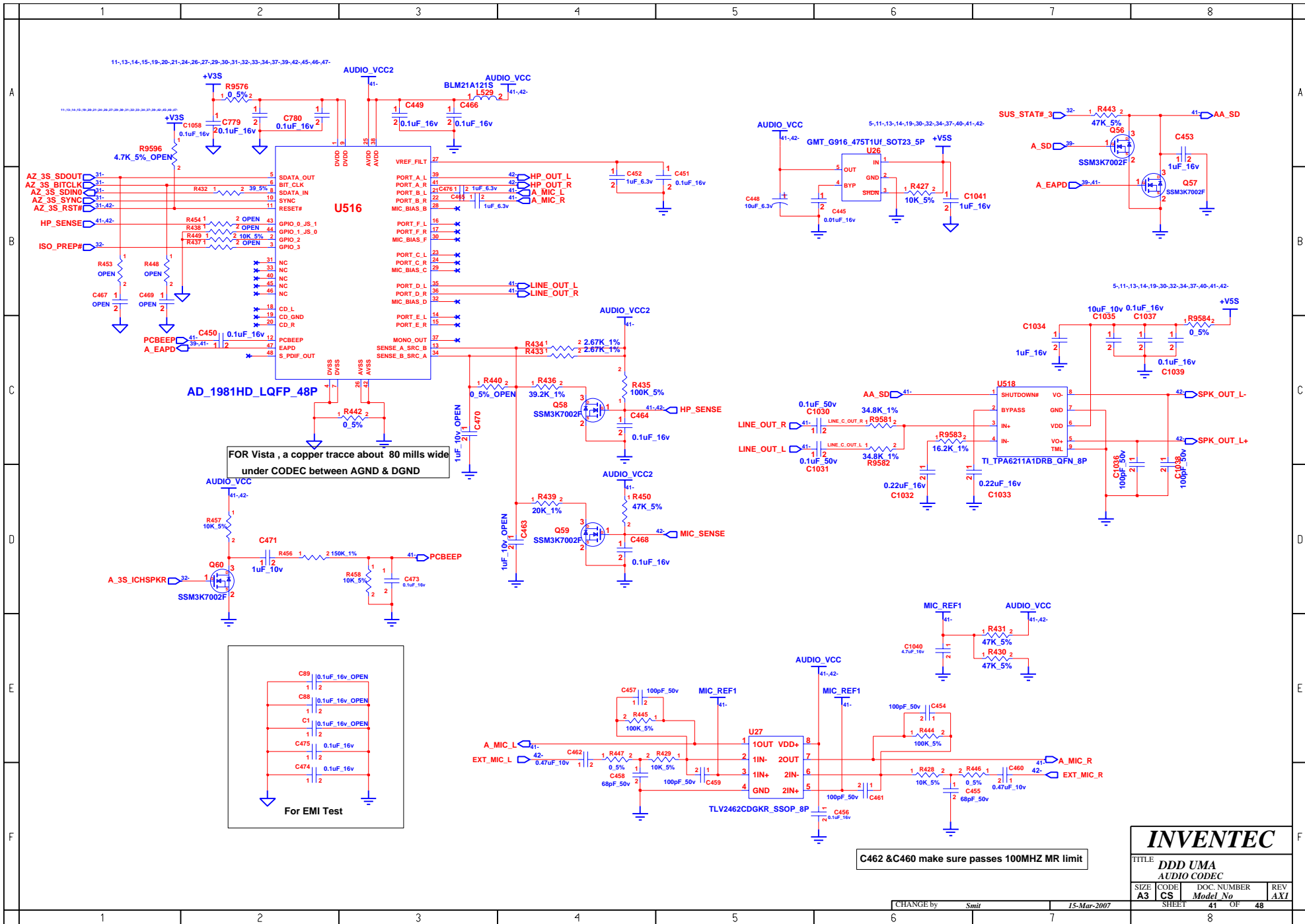


INVENTEC

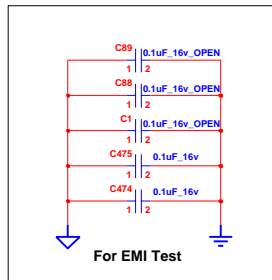
TITLE			
DDD UMA			
KB & TP CONN			
SIZE	CODE	DOC. NUMBER	REV
A3	CS	Model No	AXI

CHANGE by Smit 15-Mar-2007

SHEET 40 OF 48



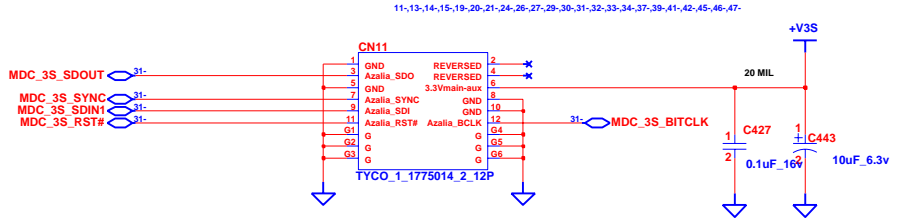
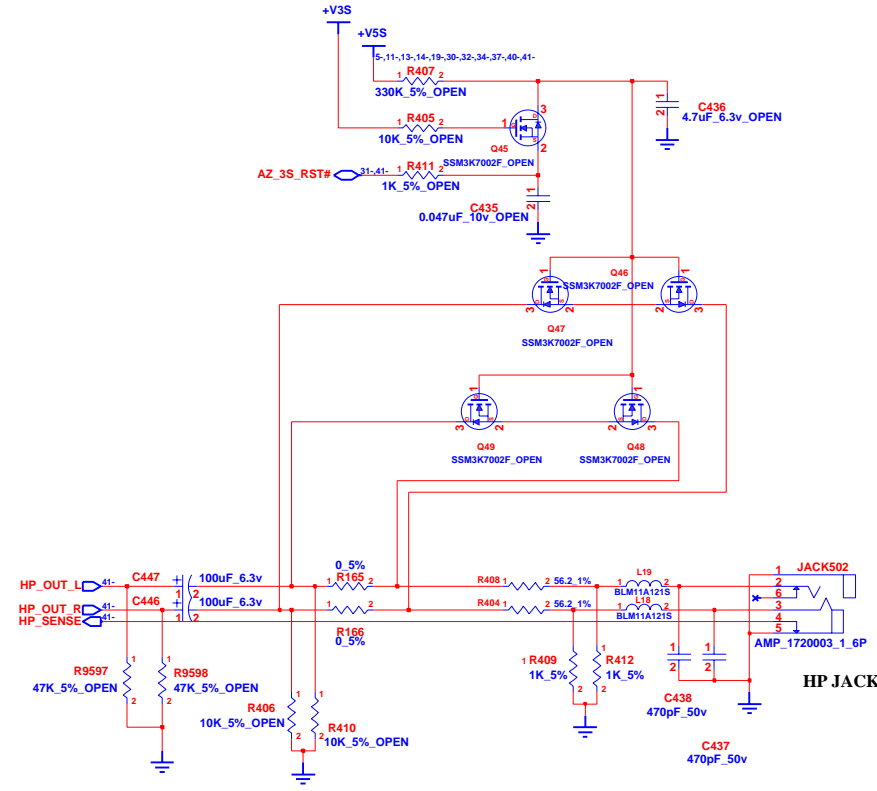
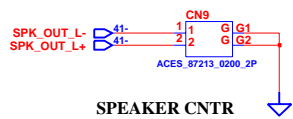
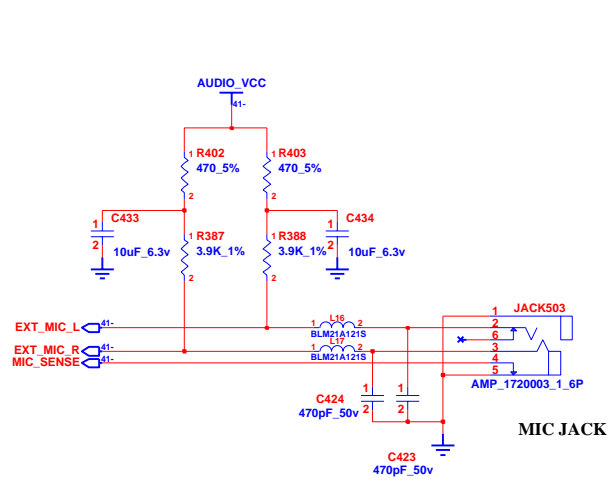
FOR Vista , a copper trace about 80 mills wide under CODEC between AGND & DGND



C462 & C460 make sure passes 100MHZ MR limit

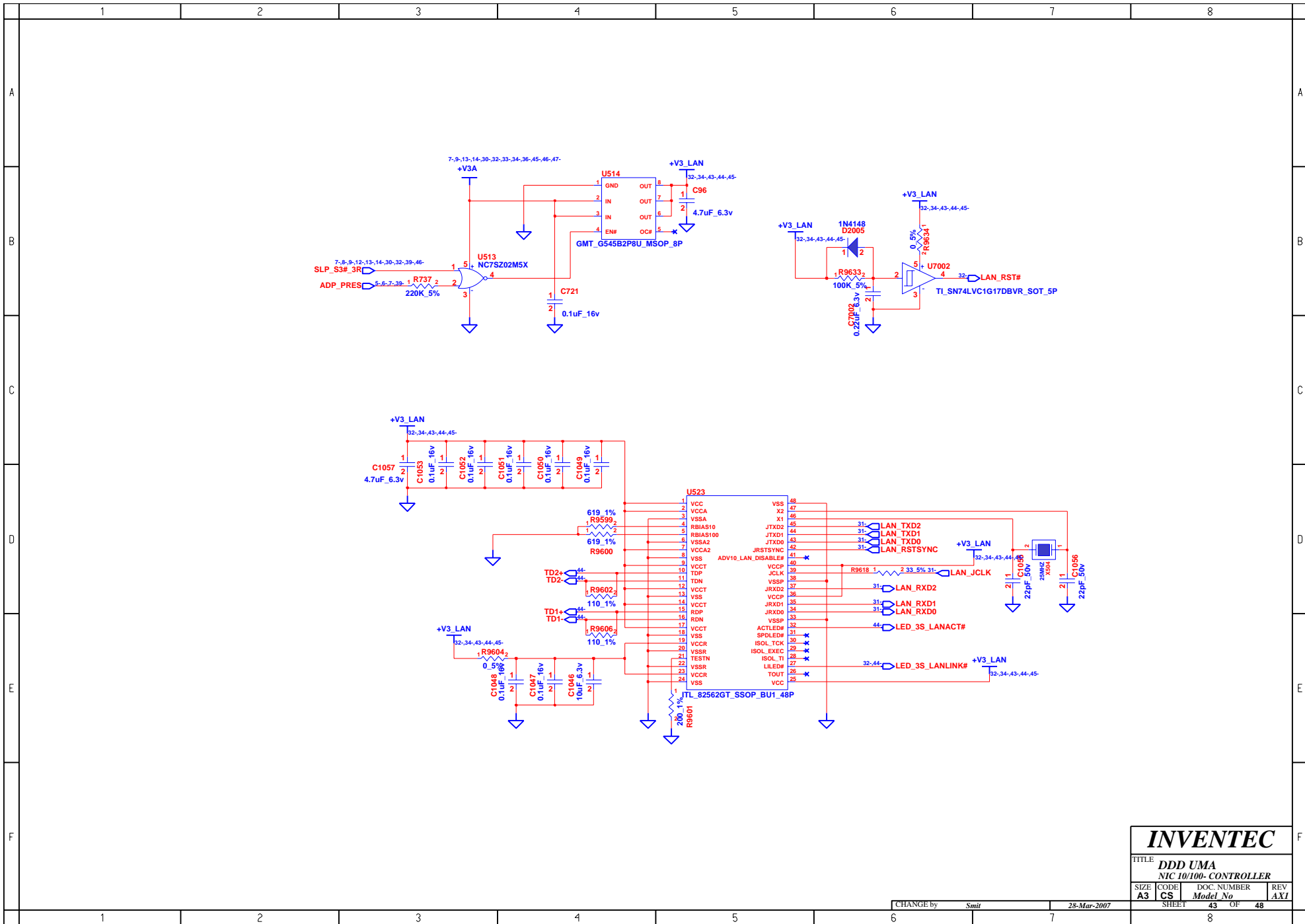
INVENTEC			
TITLE DDD UMA AUDIO CODEC			
SIZE A3	CODE CS	DOC. NUMBER Model No	REV AX1
CHANGE by Smit		15-Mar-2007	
SHEET 41		OF 48	

11-13-14-15-19-20-21-24-26-27-29-30-31-32-33-34-37-39-41-42-45-46-47-

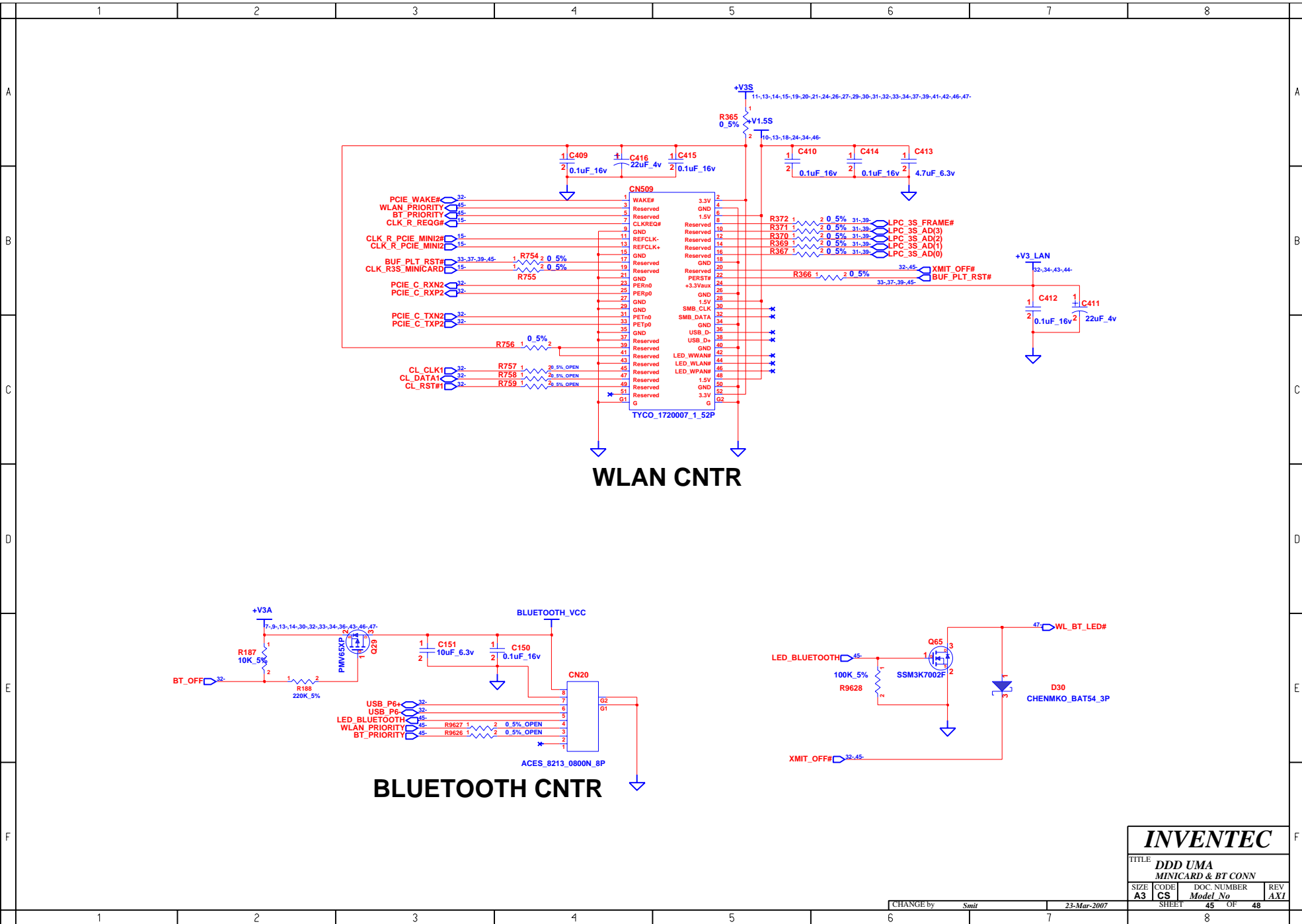


MDC CNTR

INVENTEC			
TITLE DDD UMA MDC CNTR			
SIZE A3	CODE CS	DOC. NUMBER <i>Model No</i>	REV AX1
CHANGE by <i>Smit</i>		15-Mar-2007	
SHEET		42 OF 48	
1		8	



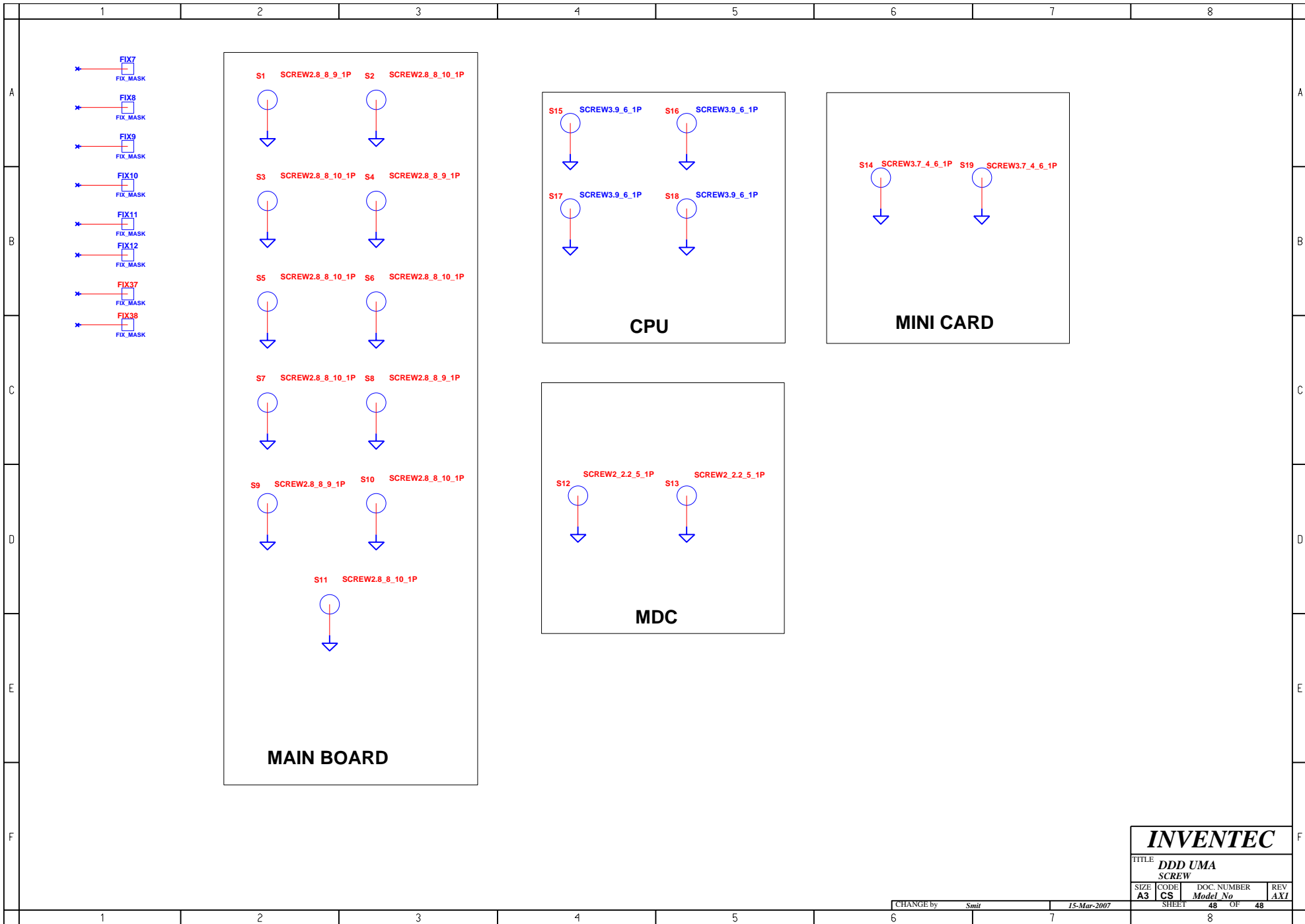
INVENTEC			
TITLE DDD UMA NIC 10/100- CONTROLLER			
SIZE A3	CODE CS	DOC. NUMBER <i>Model No</i>	REV AXI
CHANGE by <i>Smit</i>		28-Mar-2007	
SHEET 43		OF 48	



WLAN CNTR

BLUETOOTH CNTR

INVENTEC			
TITLE DDD UMA MINICARD & BT CONN			
SIZE A3	CODE CS	DOC. NUMBER <i>Model No</i>	REV AXI
CHANGE by <i>Smit</i>		23-Mar-2007	SHEET 45 OF 48



INVENTEC			
TITLE DDD UMA			
SCREW			
SIZE A3	CODE CS	DOC. NUMBER <i>Model No</i>	REV AXI
SHEET		48	OF 48