

DosXX Dunkel 1.0

MV1_BUILD

2007.02.28

DATE	CHANGE NO.	REV

DRAWER	EE	DATE	POWER	DATE	INVENTEC			
DESIGN					TITLE DD1.0			
CHECK								
RESPONSIBLE								
SIZE =	3	VER :			SIZE A3	CODE CS	DOC. NUMBER	REV
FILE NAME :	XXXX-XXXXXX-XX						Model No	A02
P/N	XXXXXXXXXXXX						SHEET 1 OF 60	

TABLE OF CONTENTS

<p>PAGE</p> <p>5- DC& BATTERY CHARGER</p> <p>6- SELECT & BATTERY CONN</p> <p>7- SYSTEM POWER(3V/5V)</p> <p>8- SYSTEM POWER(+V1.8/+V1.25S)</p> <p>9- GRAPHIC POWER(+VGFX_CORE)</p> <p>10- SYSTEM POWER(+VCCP/+V1.5S)</p> <p>11- CPU POWER(VCC_CORE)</p> <p>12- DDR TERMINATION VOLTAGE</p> <p>13- POWER(SLEEP)</p> <p>14- POWER(SEQUENCE)</p> <p>15- CLOCK_GENERATOR</p> <p>16- MEROM-1</p> <p>17- MEROM-2</p> <p>18- MEROM-3</p> <p>19- MEROM-4</p> <p>20- THERMAL&FAN CONTROLLER</p> <p>21- Crestline-1</p> <p>22- Crestline-2</p> <p>23- Crestline-3-HOST</p> <p>24- Crestline-4-DDR2</p> <p>25- Crestline-5-POWER</p> <p>26- Crestline-6-POWER</p> <p>27- Crestline-7-POWER</p>	<p>PAGE</p> <p>28- DDR2-DIMM0</p> <p>29- DDR2-DIMM1</p> <p>30- DDR2-DAMPING</p> <p>31- CRT& SVIDEO CONN</p> <p>32- LCD CONN</p> <p>33- ICH8-1</p> <p>34- ICH8-2</p> <p>35- ICH8-3</p> <p>36- ICH8-4</p> <p>37- ICH8-5</p> <p>38- HDD CONN</p> <p>39- ODD CONN</p> <p>40- USB CONN/USB(DB)</p> <p>41- FINGER PRINT&BlueTooth</p> <p>42- TPM V1.2</p> <p>43- FWH/SPI/HDD PROTECTION</p> <p>44- KBC</p> <p>45- INT.KBC/POINT DEVICES</p> <p>46- SUPER I/O</p> <p>47- DAUGHTER BOARD CONN</p> <p>48- 5 IN 1 CONTROLLER</p> <p>49- 5 IN 1 CONNECTOR</p> <p>50- LAN INTERFACE-1</p> <p>51- LAN RJ45 CONN</p>	<p>PAGE</p> <p>52-MINI CARD(WWAN/WLAN)& SIM CARD</p> <p>53-ODD extension board</p> <p>54- DOCKING CONN</p> <p>55- LED/SWITCH CONN</p> <p>56- SCREW</p> <p>57- SWITCH DOUGHTER BOARD</p> <p>58- 58- Finger Print board</p> <p>59- 5 IN 1 CONTROLLER(Northstar)</p> <p>60- 5 IN 1 CONNECTOR(Northstar)</p>
---	---	---

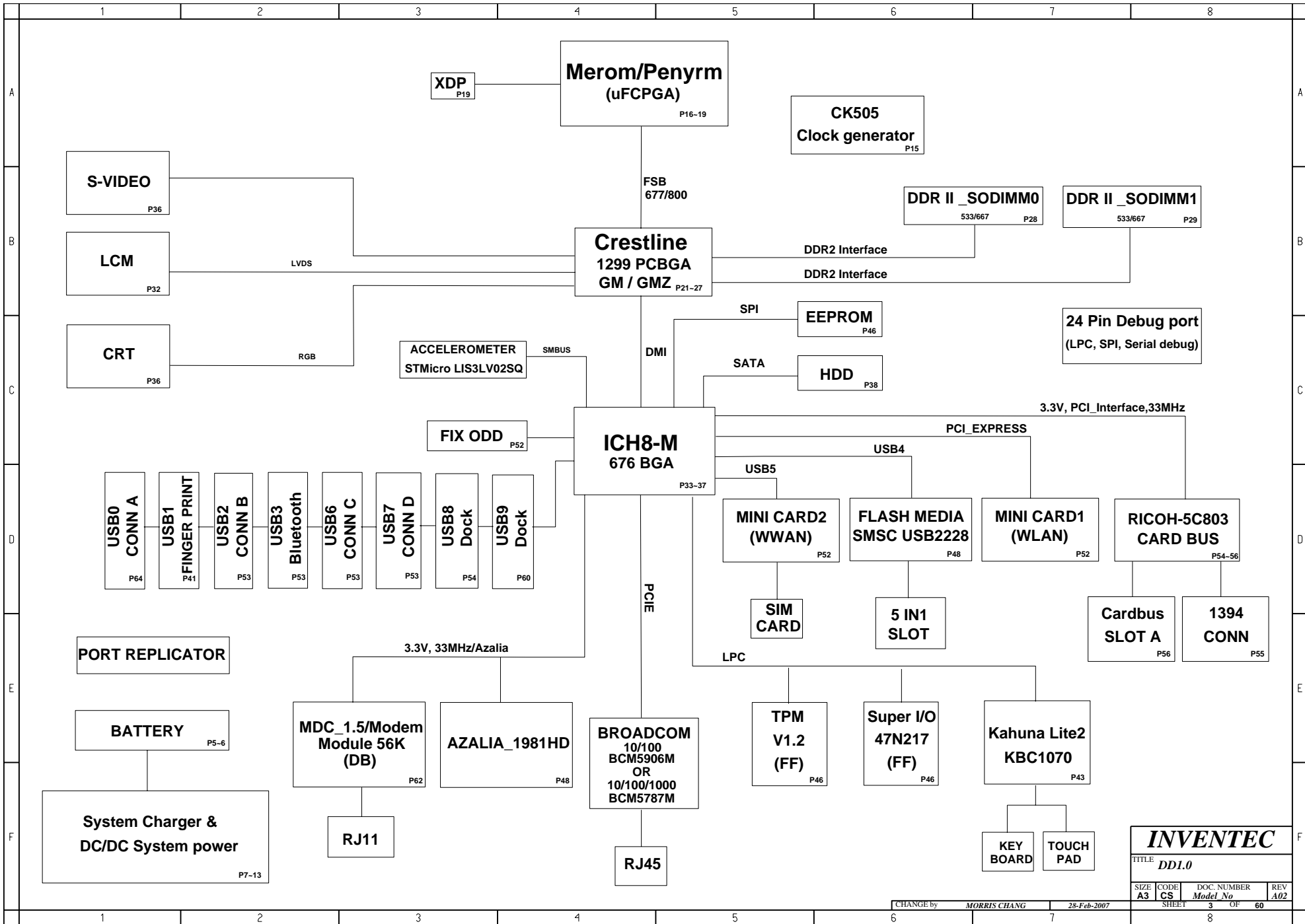
INVENTEC

TITLE *DD1.0*

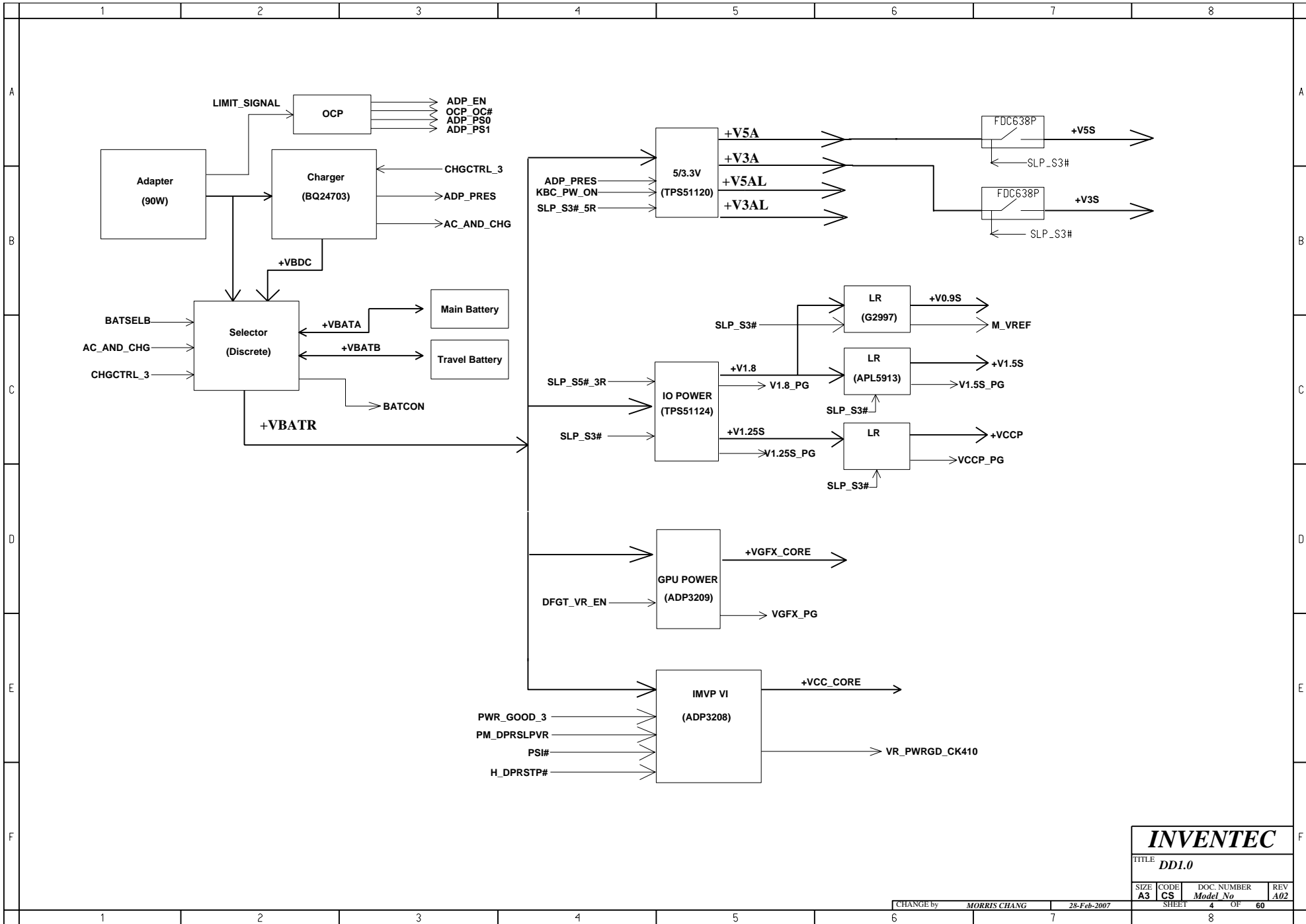
SIZE	CODE	DOC. NUMBER	REV
A3	CS	Model No	A02

CHANGE by *MORRIS CHANG* 28-Feb-2007

SHEET 2 OF 60



INVENTEC			
TITLE DD1.0			
SIZE	CODE	DOC. NUMBER	REV
A3	CS	Model No	A02
CHANGE by MORRIS CHANG 28-Feb-2007			SHEET 3 OF 60

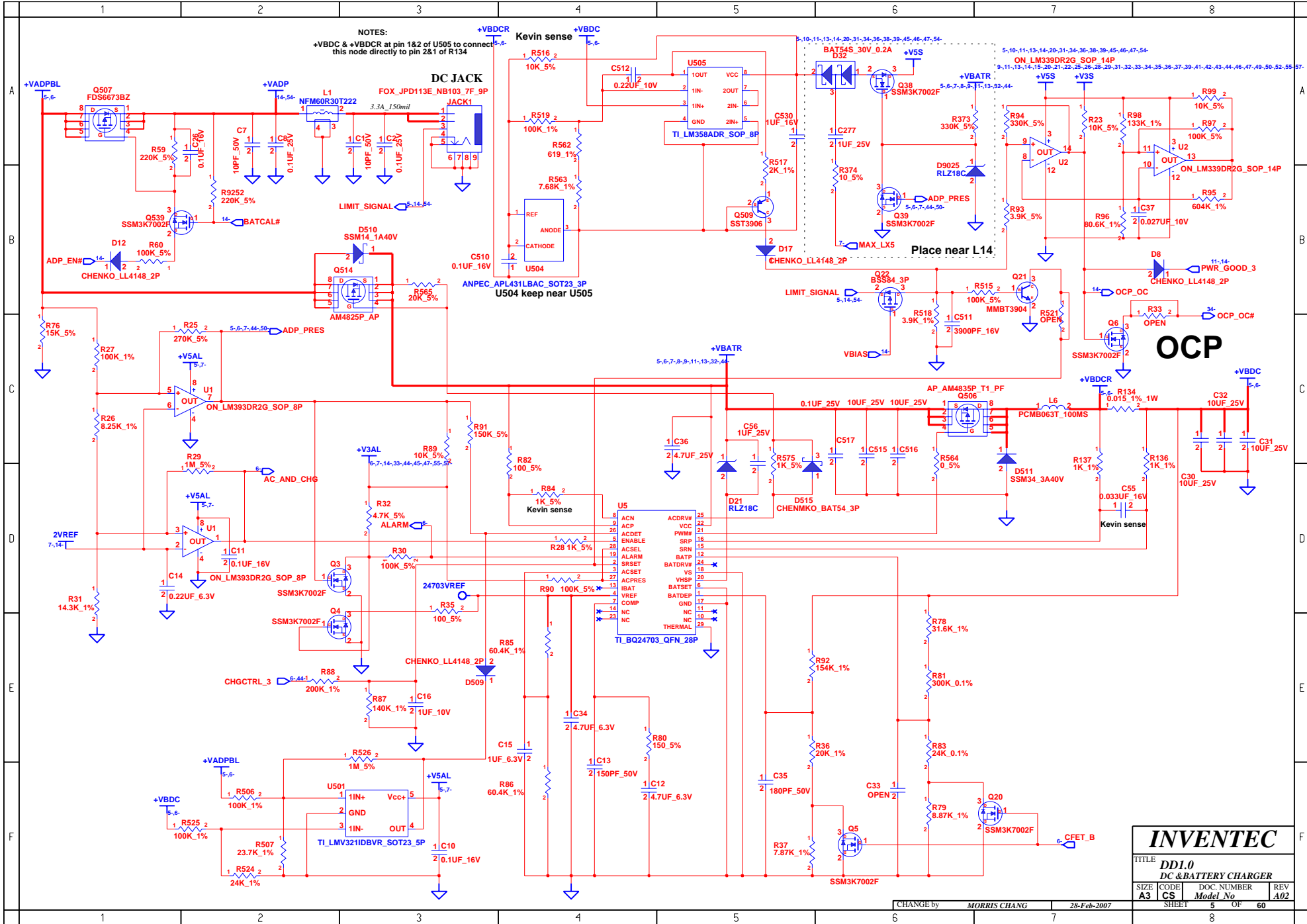


INVENTEC

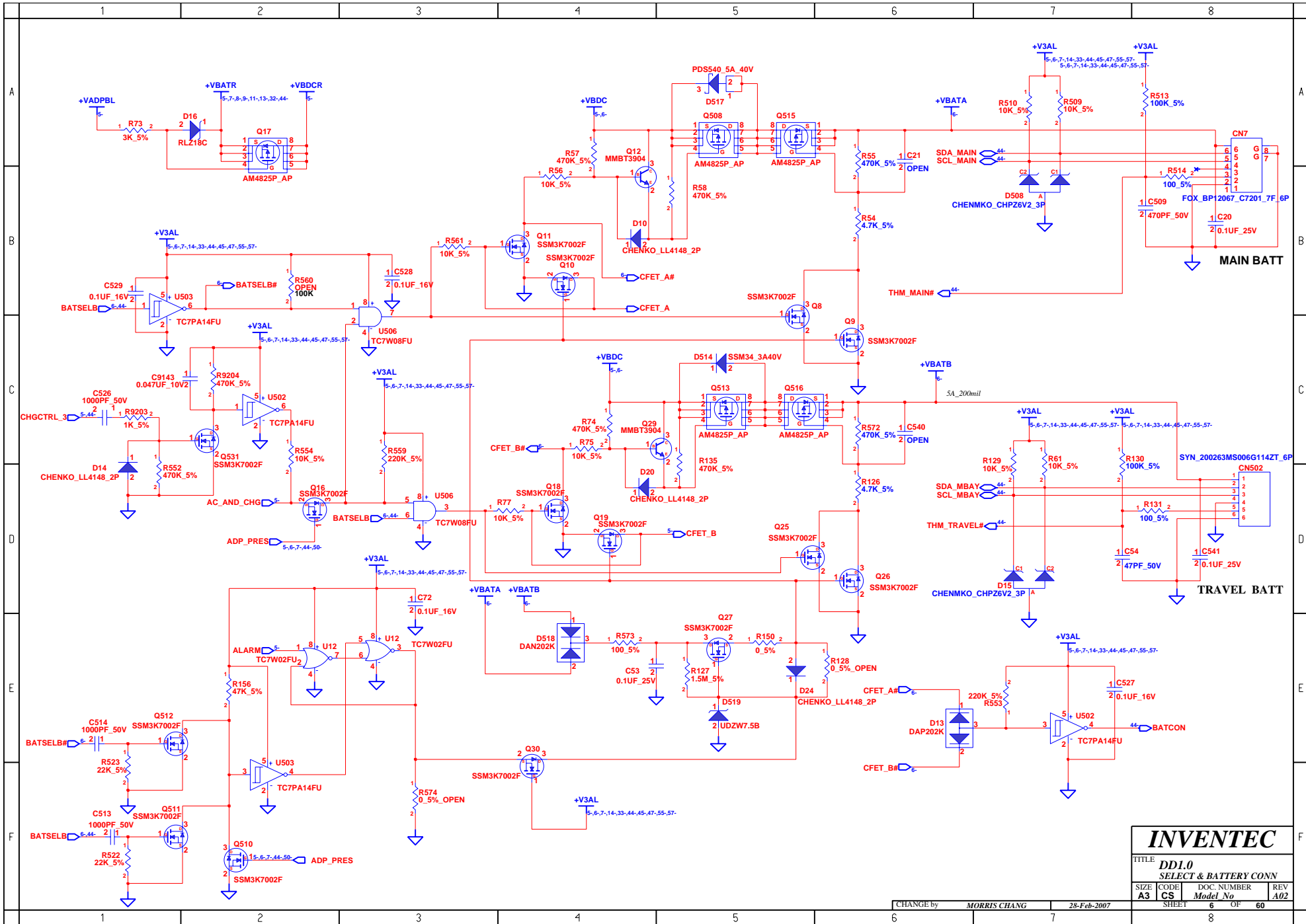
TITLE **DD1.0**

SIZE	CODE	DOC. NUMBER	REV
A3	CS	Model No	A02

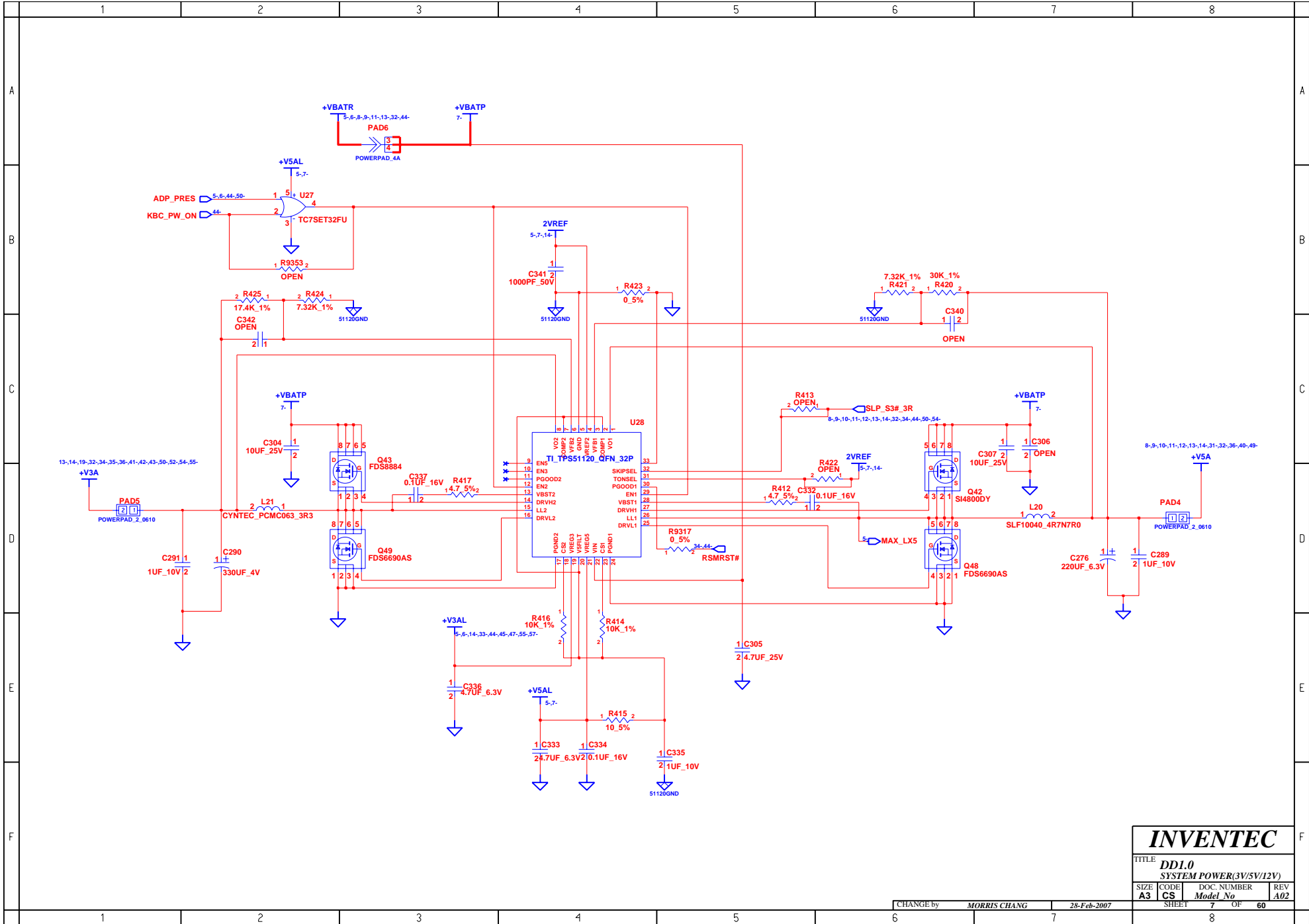
CHANGE by **MORRIS CHANG** 28-Feb-2007 SHEET 4 OF 60



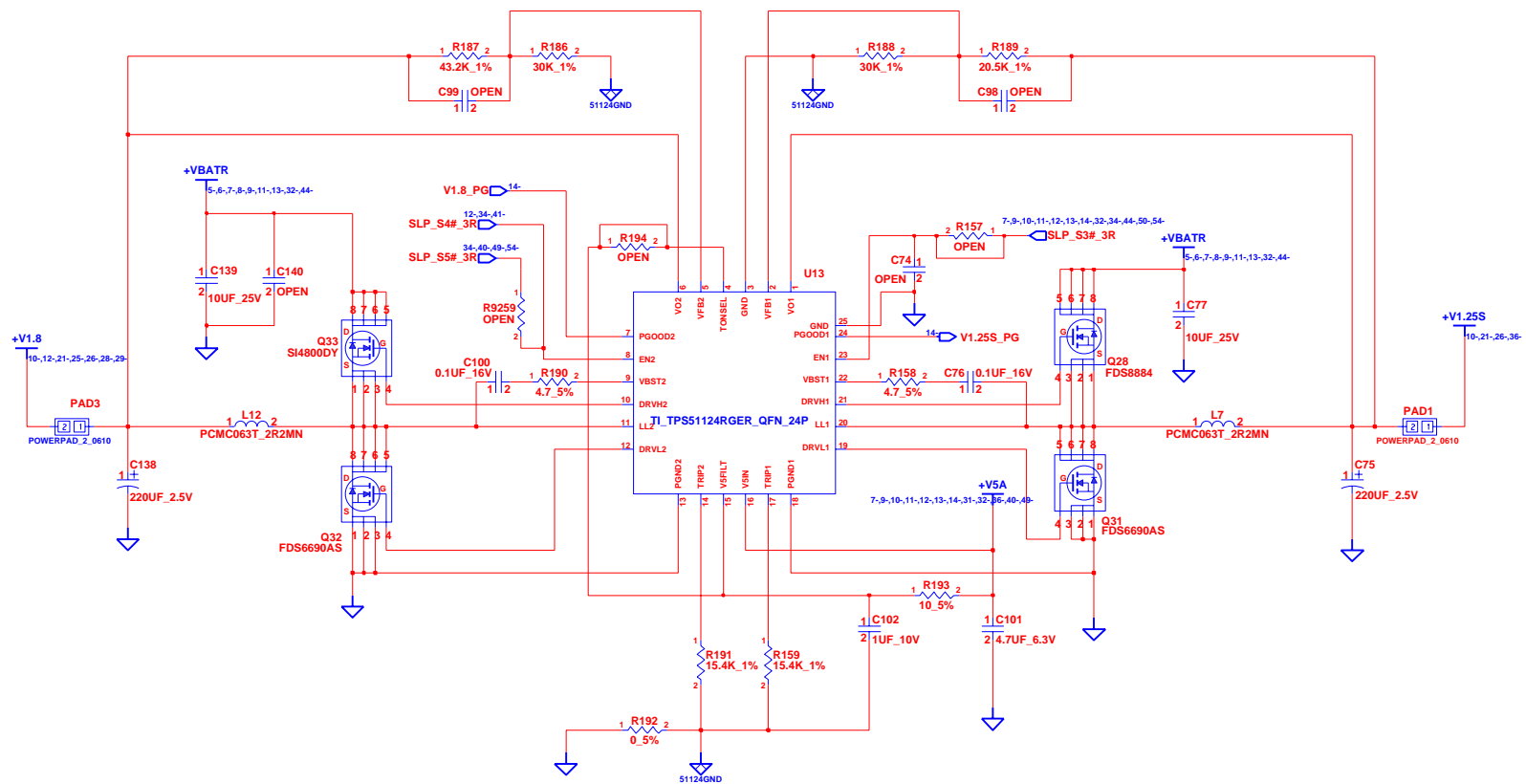
INVENTEC			
TITLE: DD1.0 DC & BATTERY CHARGER			
SIZE: A3	CODE: CS	DOC. NUMBER: Model No	REV: A02
CHANGE by: MORRIS CHANG		28-Feb-2007	
SHEET: 5		OF: 60	



INVENTEC			
TITLE DD1.0 SELECT & BATTERY CONN			
SIZE A3	CODE CS	DOC NUMBER Model No	REV A02
CHANGE by MORRIS CHANG		28-Feb-2007	
SHEET 6		OF 60	



INVENTEC			
TITLE DDI.0 SYSTEM POWER(3V/5V/12V)			
SIZE A3	CODE CS	DOC. NUMBER Model No	REV A02
CHANGE by MORRIS CHANG		28-Feb-2007	
SHEET 7		OF 60	

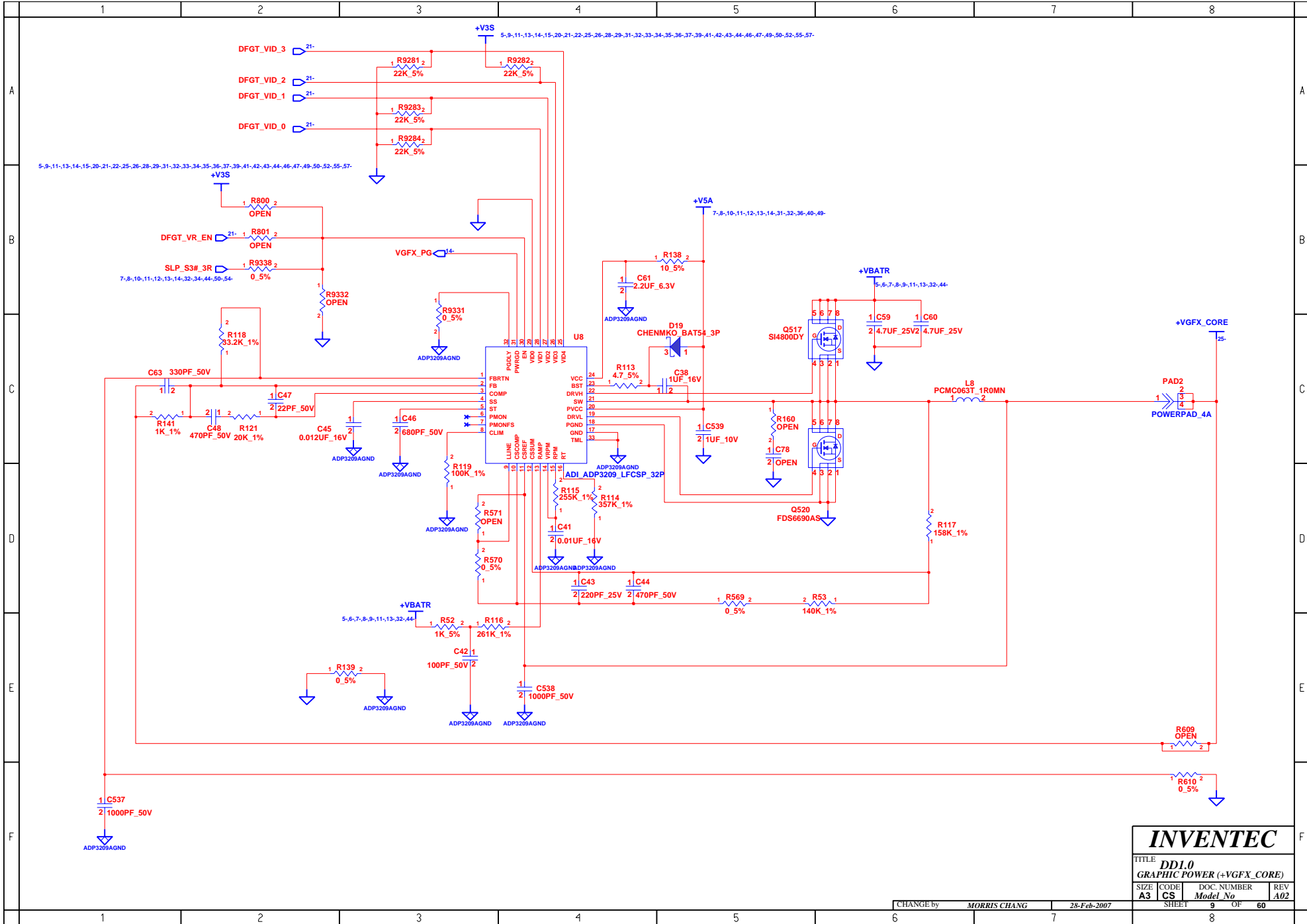


INVENTEC

TITLE			
DD1.0			
SYSTEM POWER(+V1.8/+V1.25S)			
SIZE	CODE	DOC. NUMBER	REV
A3	CS	Model No	A02

CHANGE by MORRIS CHANG 28-Feb-2007

SHEET 8 OF 60



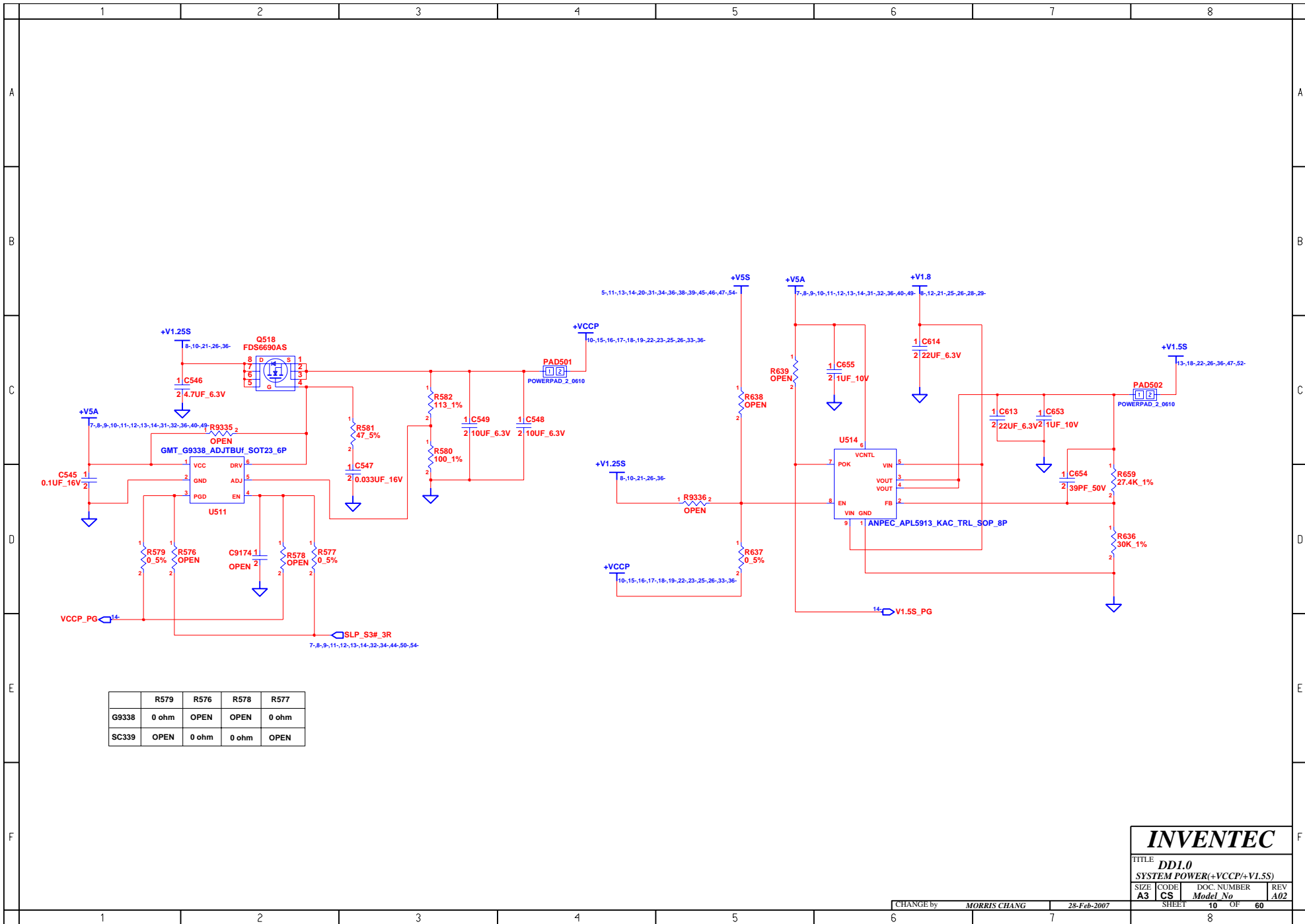
INVENTEC

TITLE **DDL0**
GRAPHIC POWER (+VGFX_CORE)

SIZE	CODE	DOC. NUMBER	REV
A3	CS	Model No	A02

CHANGE by	MORRIS CHANG	28-Feb-2007
-----------	--------------	-------------

SHEET	9	OF	60
-------	---	----	----



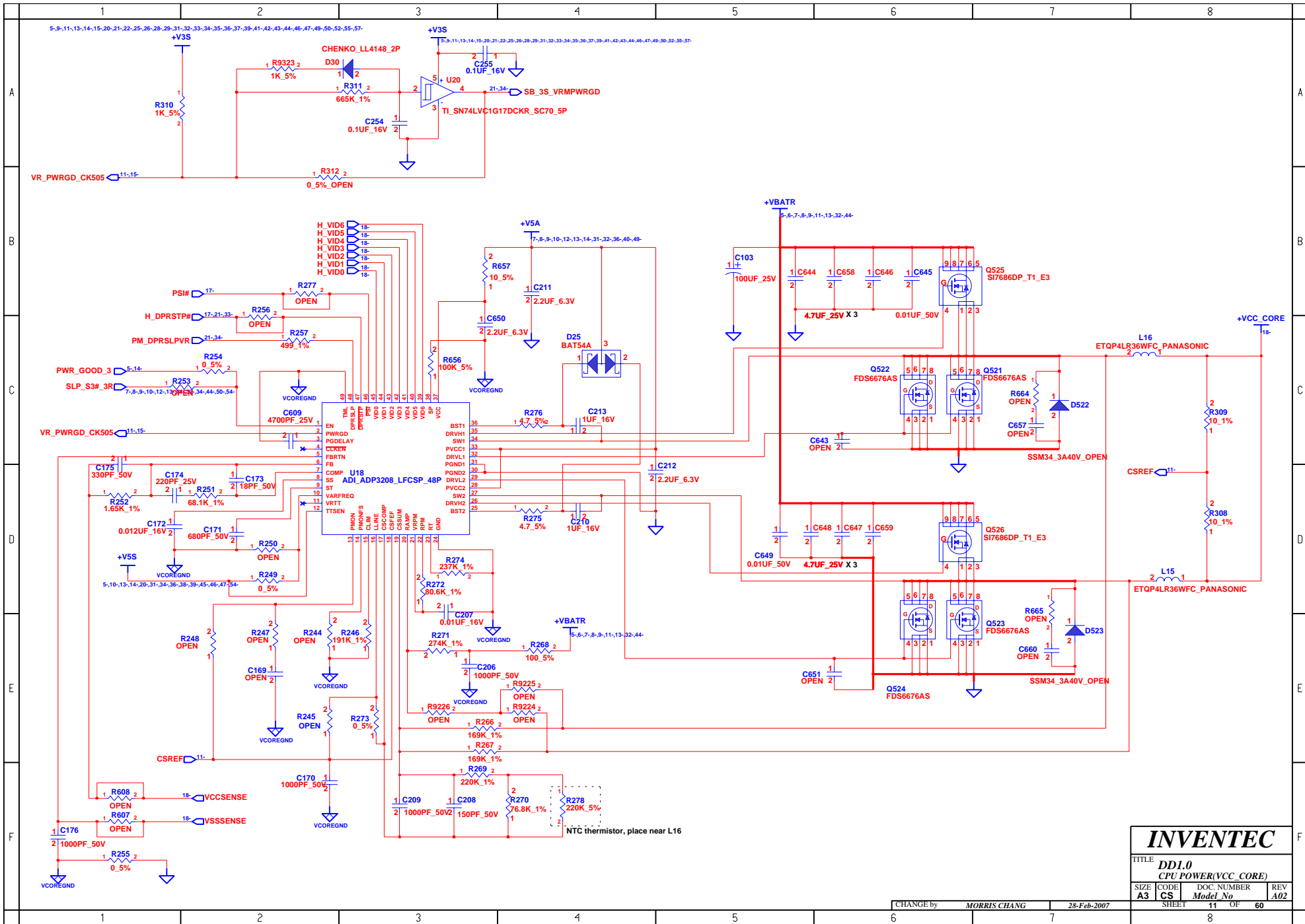
	R579	R576	R578	R577
G9338	0 ohm	OPEN	OPEN	0 ohm
SC339	OPEN	0 ohm	0 ohm	OPEN

INVENTEC

TITLE: **DD1.0**
SYSTEM POWER(+VCCP/+V1.5S)

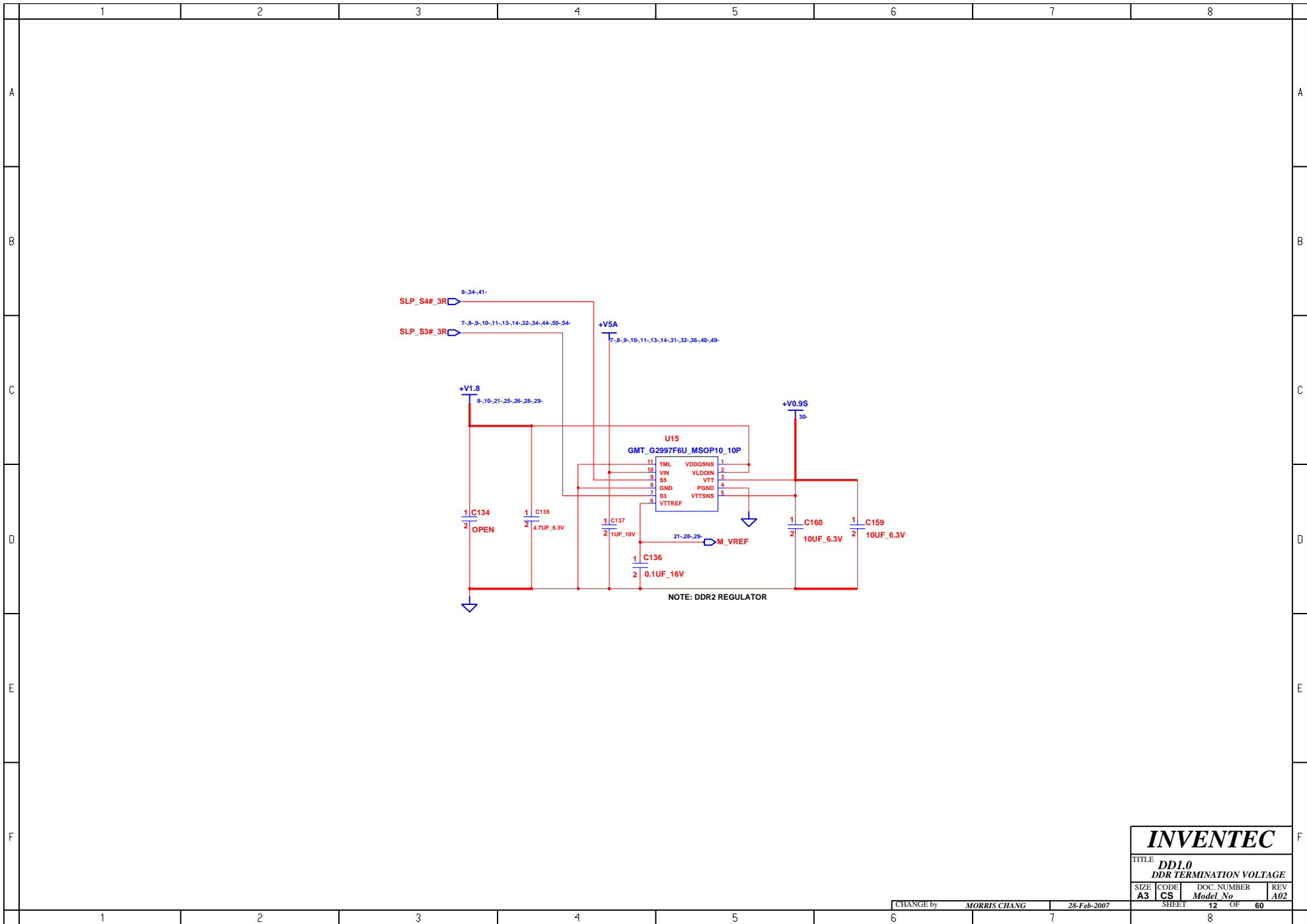
SIZE	CODE	DOC. NUMBER	REV
A3	CS	Model No	A02

CHANGE by: MORRIS CHANG 28-Feb-2007 SHEET 10 OF 60



INVENTEC			
TITLE DD1.0 CPU POWER(VCC_CORE)			
SIZE A3	CODE CS	DOC. NUMBER <i>Model No</i>	REV A02
CHANGE by <i>MORRIS CHANG</i>		28-Feb-2007	
SHEET 11		OF 60	

NTC thermistor, place near L16

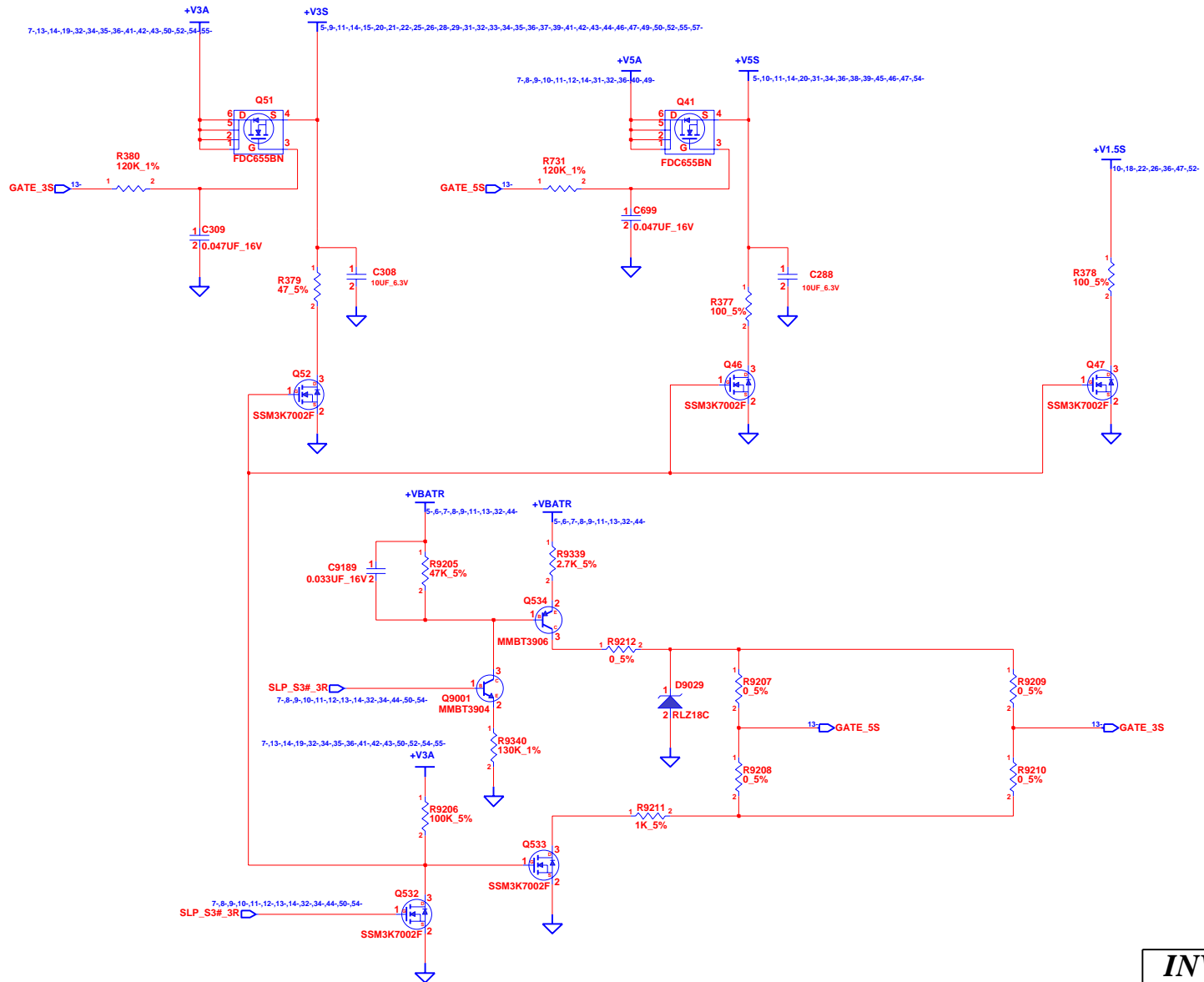


INVENTEC

TITLE			
DD1.0 DDR TERMINATION VOLTAGE			
SIZE	CODE	DOC. NUMBER	REV
A3	CS	Model No	A02

CHANGE by MORRIS CHANG 28-Feb-2007

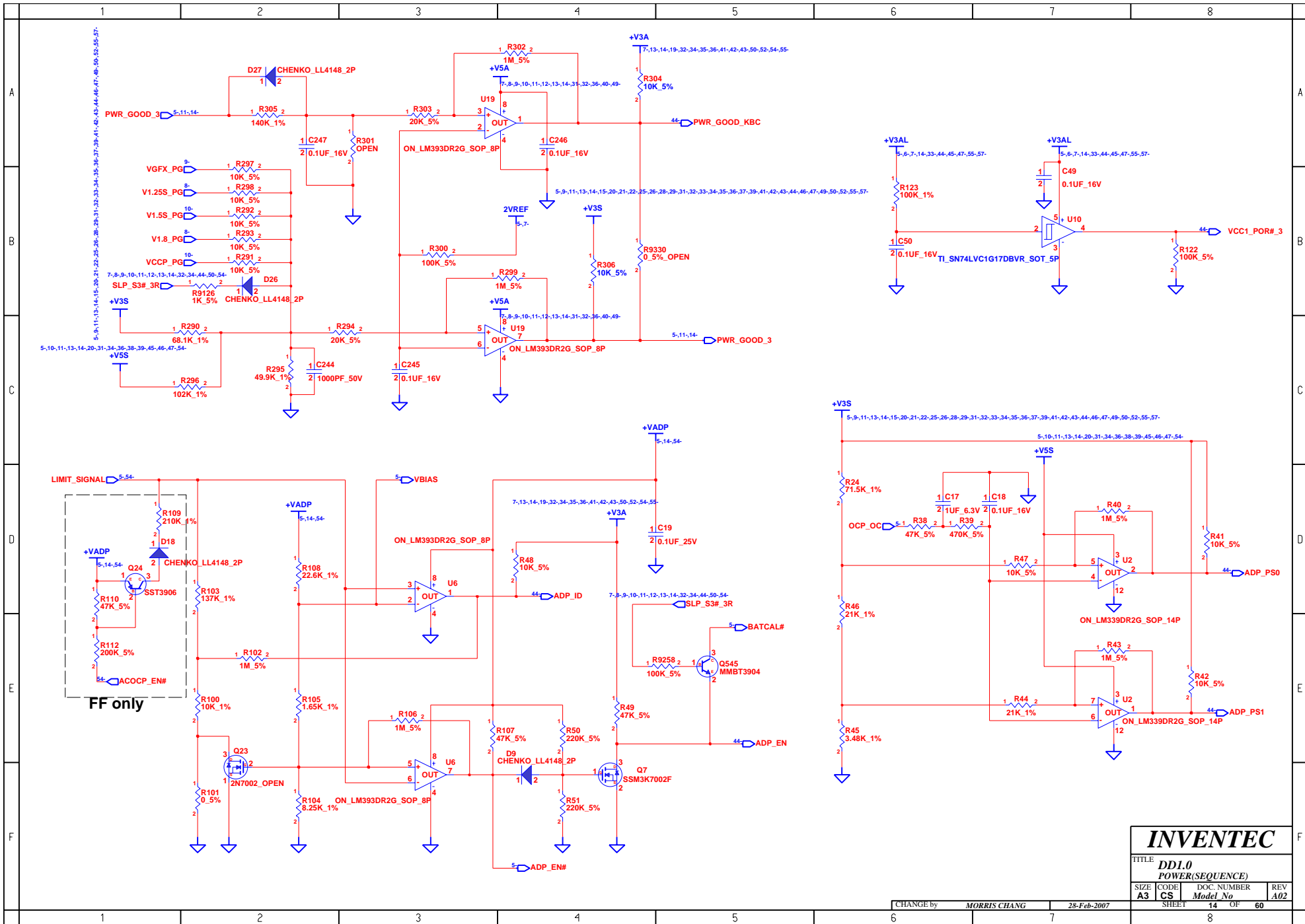
SHEET 12 OF 60



INVENTEC

TITLE			
DDI.0 POWER(SLEEP)			
SIZE	CODE	DOC. NUMBER	REV
A3	CS	Model No	A02
CHANGE by		SHEET	
MORRIS CHANG		13 OF 60	

28-Feb-2007

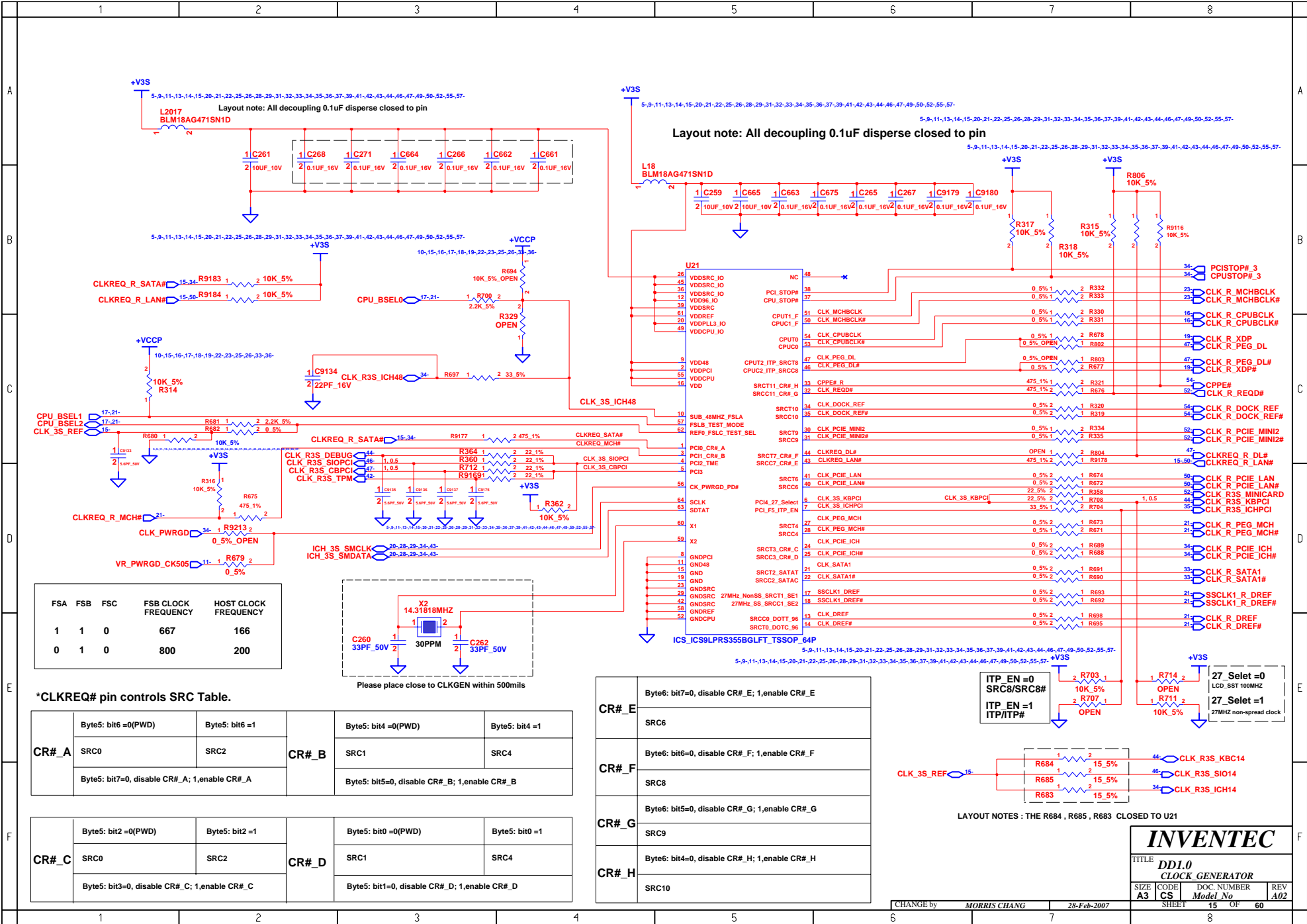


INVENTEC

TITLE
DD1.0
POWER(SEQUENCE)

SIZE	CODE	DOC. NUMBER	REV
A3	CS	Model No	A02

CHANGE by MORRIS CHANG 28-Feb-2007 SHEET 14 OF 60

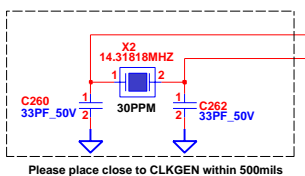


Layout note: All decoupling 0.1uF disperse closed to pin

Layout note: All decoupling 0.1uF disperse closed to pin

Layout note: All decoupling 0.1uF disperse closed to pin

FSA	FSB	FSC	FSB CLOCK FREQUENCY	HOST CLOCK FREQUENCY
1	1	0	667	166
0	1	0	800	200

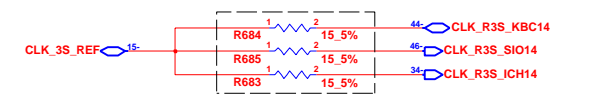
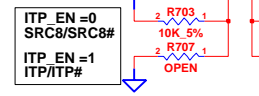


*CLKREQ# pin controls SRC Table.

CR#_A	Byte5: bit6 =0(PWD)		Byte5: bit6 =1		CR#_B	Byte5: bit4 =0(PWD)		Byte5: bit4 =1	
	SRC0	SRC2	SRC1	SRC4		SRC1	SRC4	SRC1	SRC4
					Byte5: bit7=0, disable CR#_A; 1,enable CR#_A				
					Byte5: bit5=0, disable CR#_B; 1,enable CR#_B				

CR#_C	Byte5: bit2 =0(PWD)		Byte5: bit2 =1		CR#_D	Byte5: bit0 =0(PWD)		Byte5: bit0 =1	
	SRC0	SRC2	SRC1	SRC4		SRC1	SRC4	SRC1	SRC4
					Byte5: bit3=0, disable CR#_C; 1,enable CR#_C				
					Byte5: bit1=0, disable CR#_D; 1,enable CR#_D				

CR#_E	Byte6: bit7=0, disable CR#_E; 1,enable CR#_E
SRC6	
CR#_F	Byte6: bit6=0, disable CR#_F; 1,enable CR#_F
SRC8	
CR#_G	Byte6: bit5=0, disable CR#_G; 1,enable CR#_G
SRC9	
CR#_H	Byte6: bit4=0, disable CR#_H; 1,enable CR#_H
SRC10	



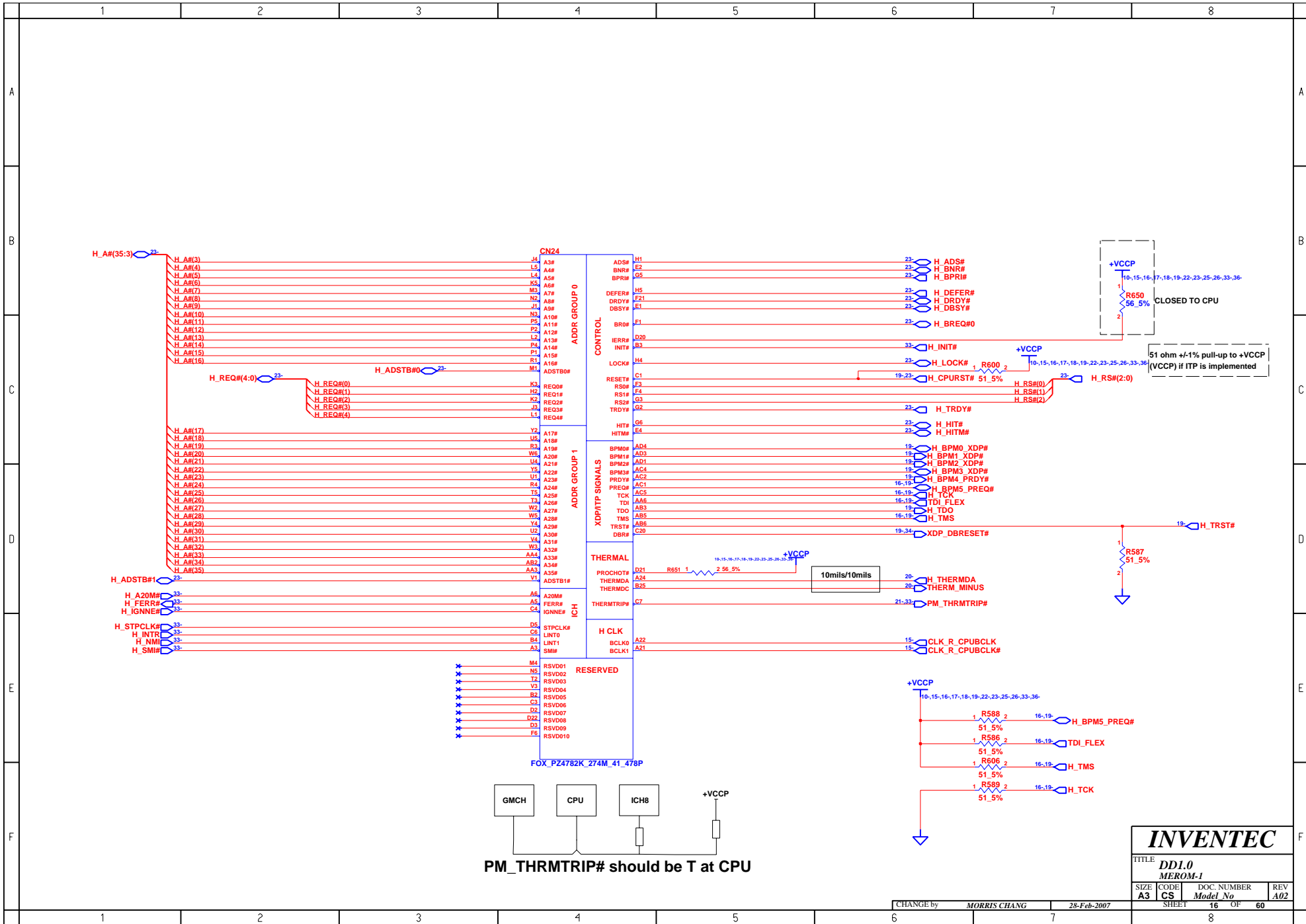
LAYOUT NOTES : THE R684 , R685 , R683 CLOSED TO U21

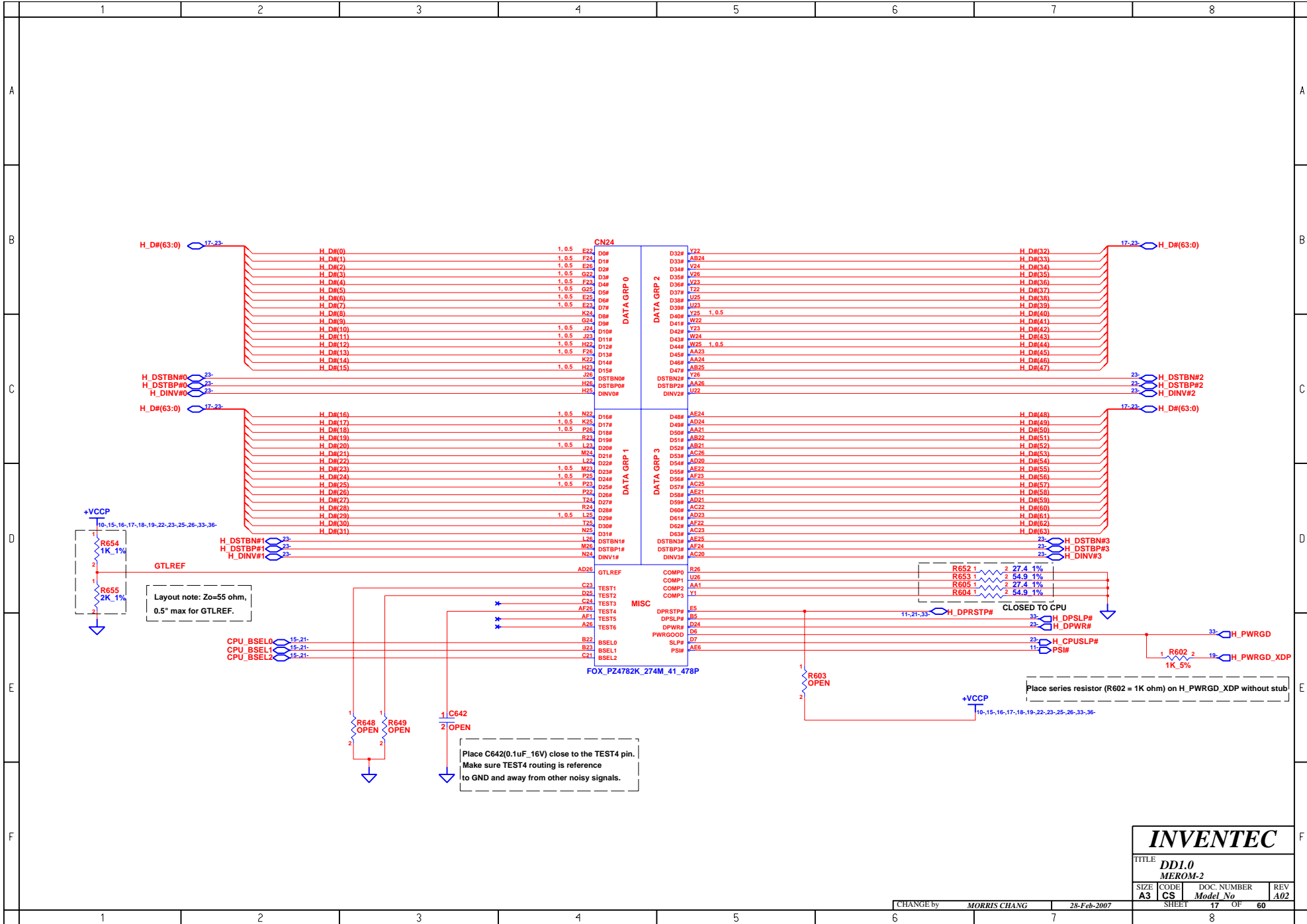
INVENTEC

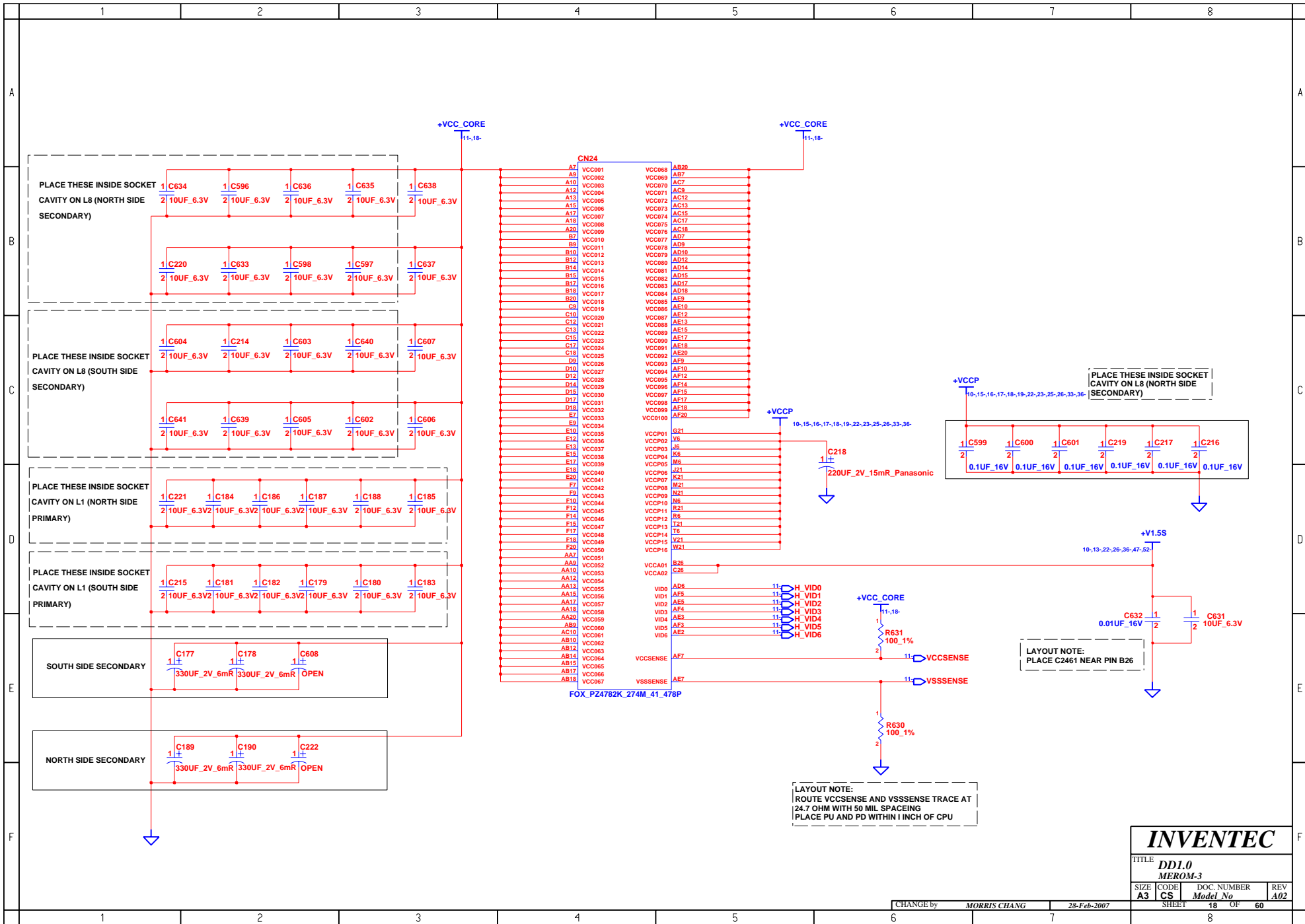
TITLE: DDI.0 CLOCK GENERATOR

SIZE A3	CODE CS	DOC. NUMBER Model No	REV A02
---------	---------	----------------------	---------

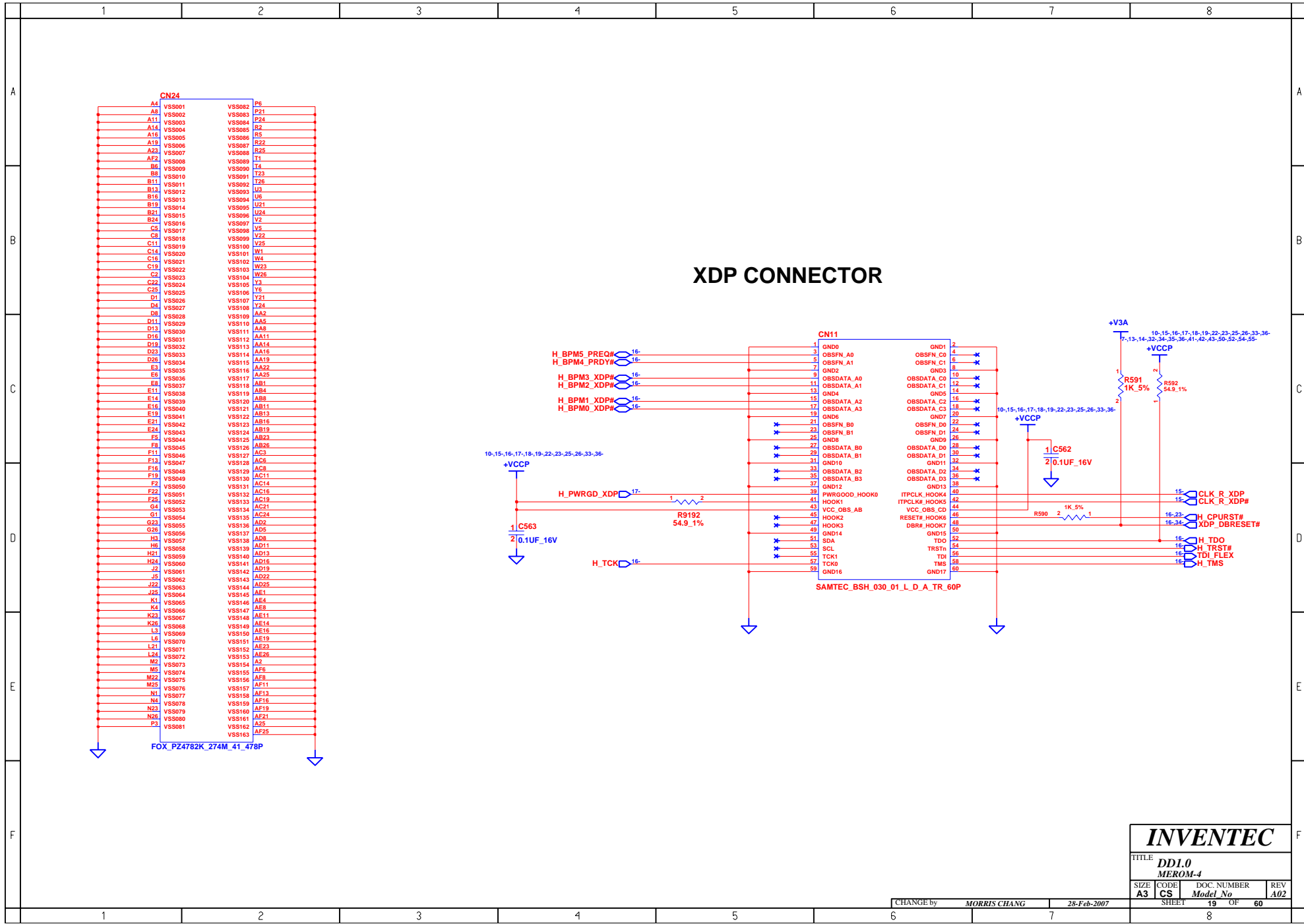
SHEET 15 OF 60





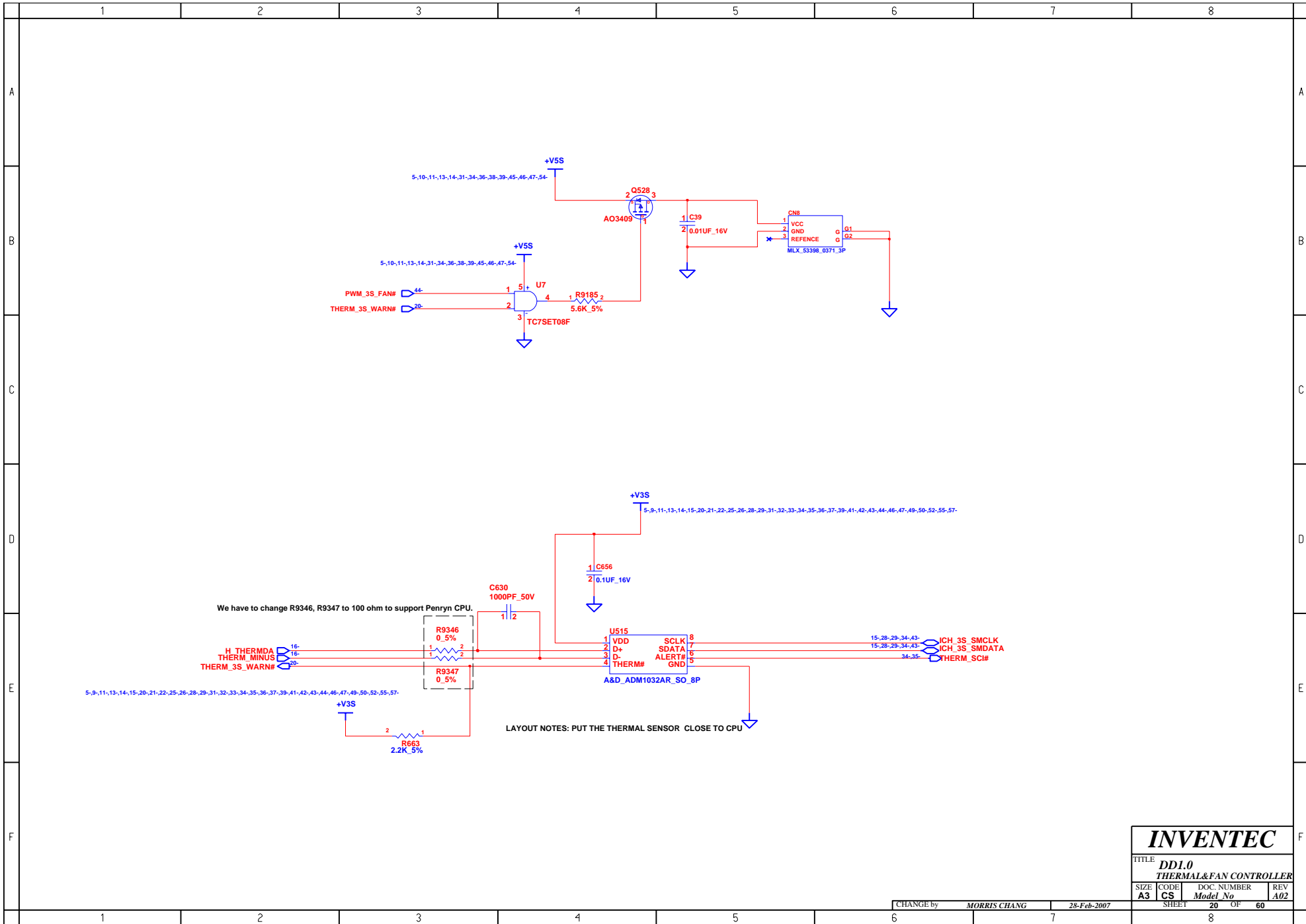


INVENTEC				
TITLE				
DDR1.0 MEMOM-3				
SIZE	CODE	DOC. NUMBER	REV	
A3	CS	Model No	18	A02

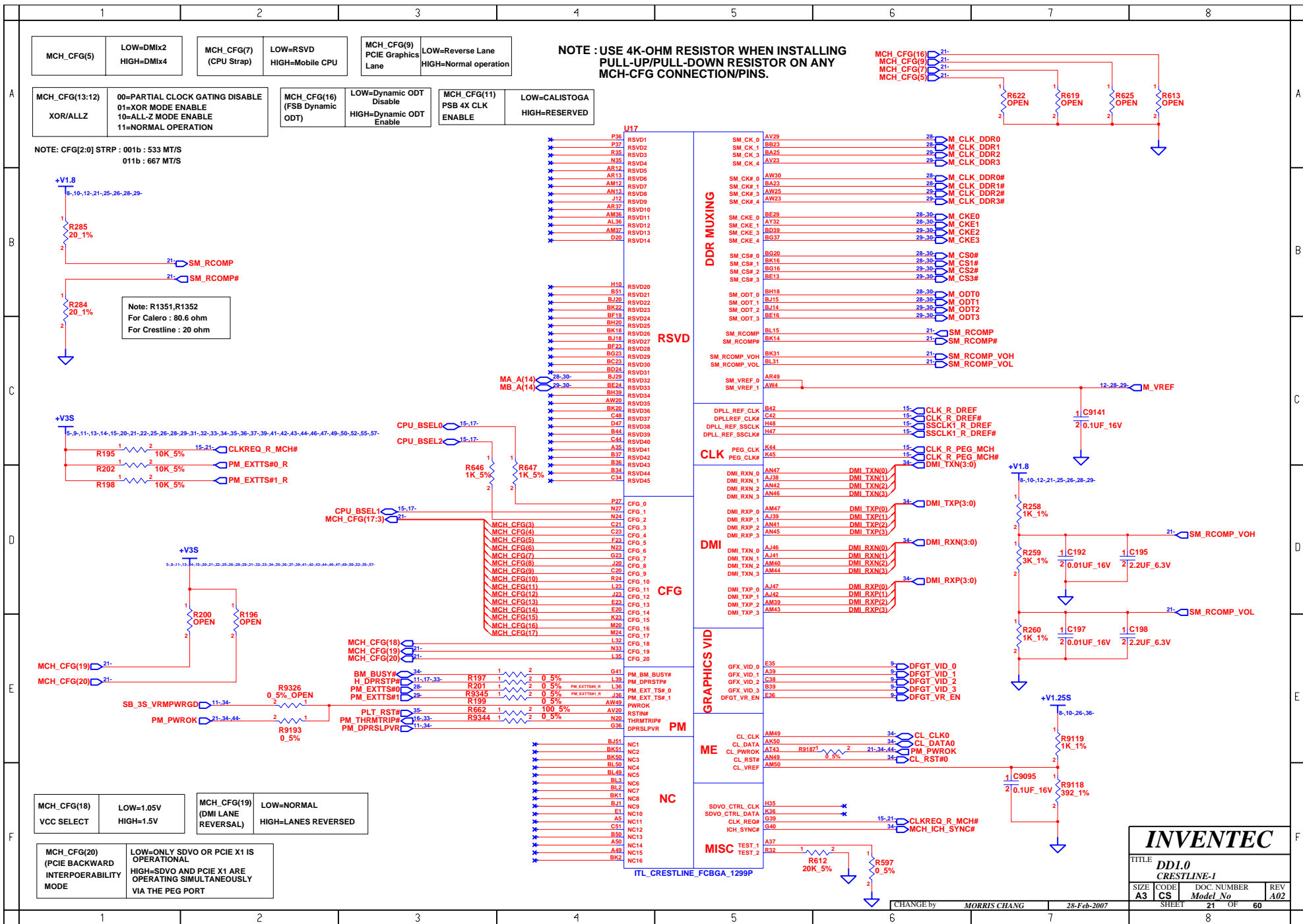


XDP CONNECTOR

INVENTEC			
TITLE DDI.0			
MEROM-4			
SIZE	CODE	DOC. NUMBER	REV
A3	CS	Model No	A02
CHANGE by		MORRIS CHANG	28-Feb-2007
SHEET		19	OF 60



INVENTEC			
TITLE DD1.0			
THERMAL&FAN CONTROLLER			
SIZE	CODE	DOC. NUMBER	REV
A3	CS	Model No	A02
CHANGE by		28-Feb-2007	SHEET 20 OF 60
MORRIS CHANG			

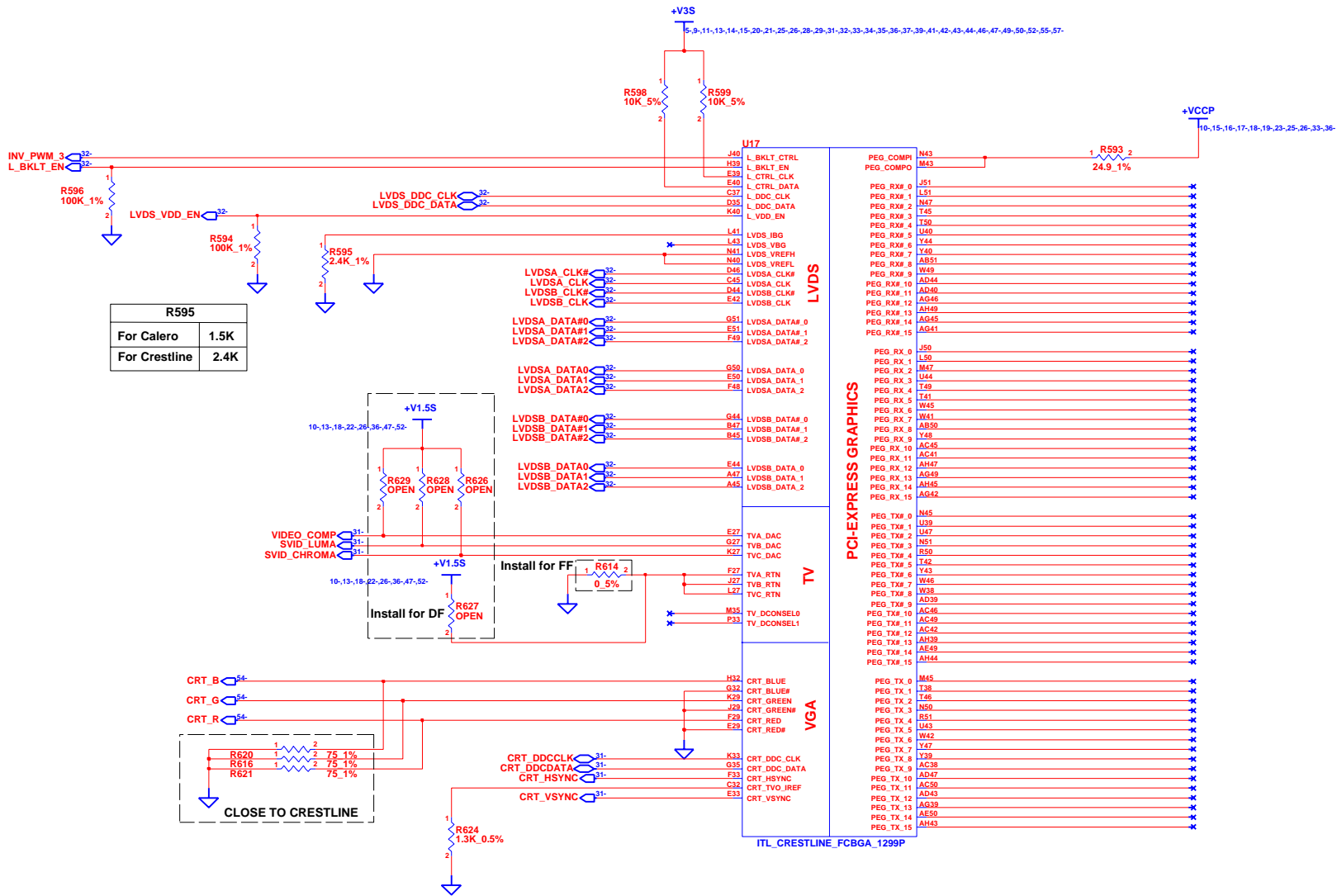


INVENTEC

TITLE: **DDI.0**
CRESTLINE-1

SIZE	CODE	DOC. NUMBER	REV
A3	CS	Model No	A02

SHEET 21 OF 60



R595	
For Calero	1.5K
For Crestline	2.4K

R624	
For Calero	255 1%
For Crestline	1.3K 0.5%

PCI-EXPRESS GRAPHICS

VGA

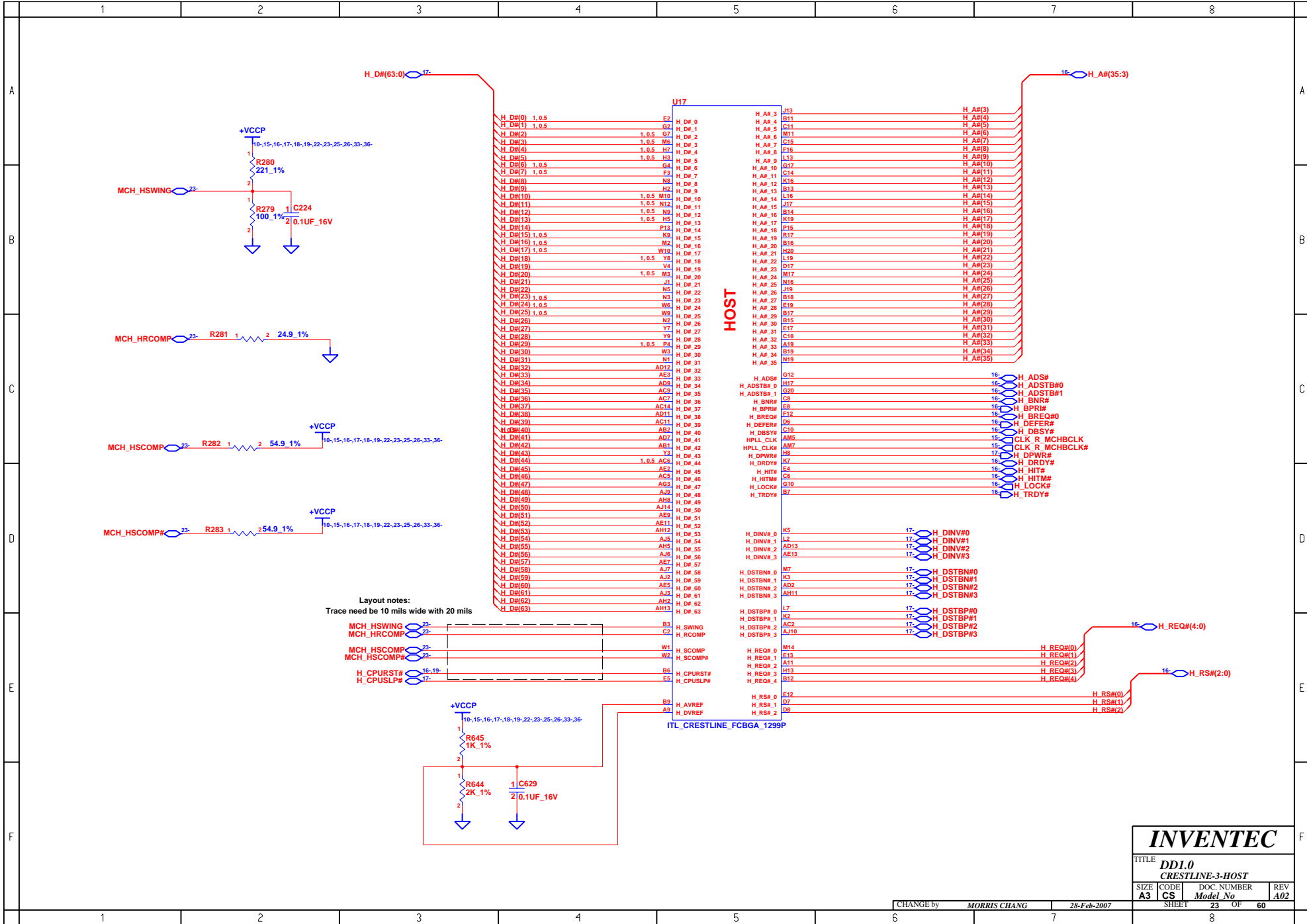
ITL_CRESTLINE_FCBGA_1299P

INVENTEC

TITLE			
DD1.0			
Crestline-2			
SIZE	CODE	DOC. NUMBER	REV
A3	CS	Model No	A02

CHANGE by MORRIS CHANG 28-Feb-2007

SHEET 22 OF 60

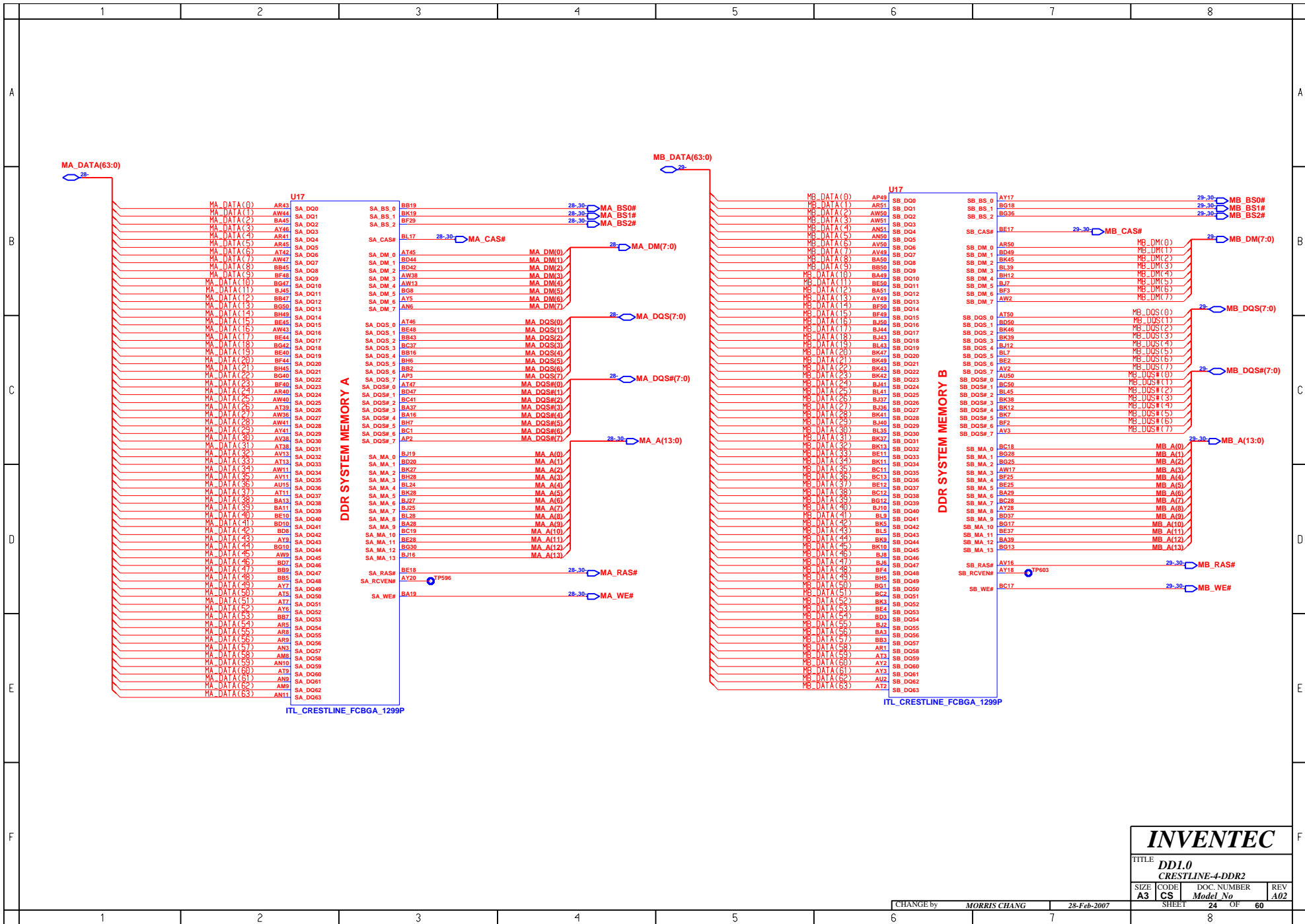


INVENTEC

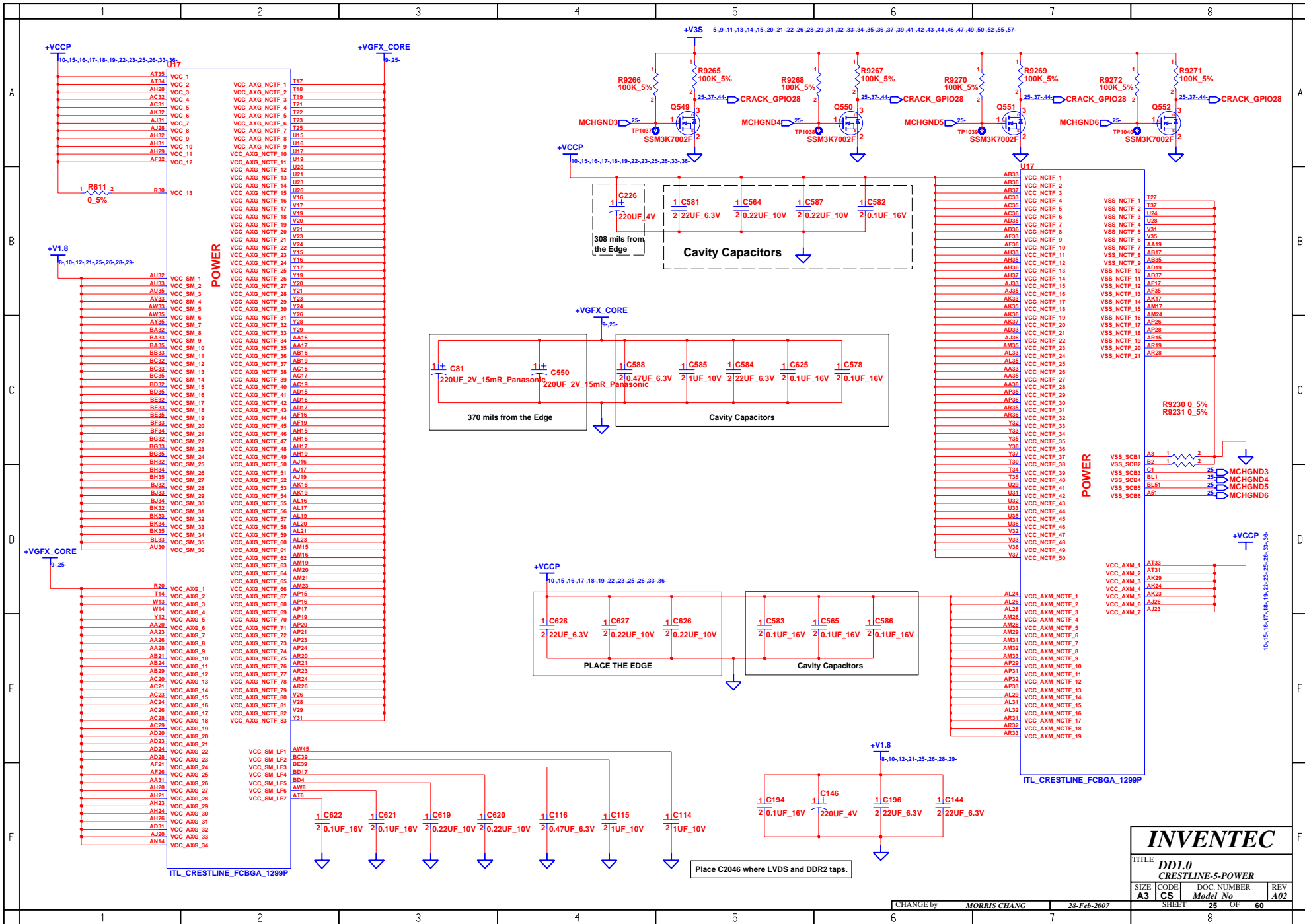
TITLE
DDI.0
CRESTLINE-3-HOST

SIZE	CODE	DOC. NUMBER	REV
A3	CS	Model No	A02

CHANGE by MORRIS CHANG 28-Feb-2007 SHEET 23 OF 60



INVENTEC			
TITLE			
DDI.0 CRESTLINE-4-DDR2			
SIZE	CODE	DOC. NUMBER	REV
A3	CS	Model No	A02
CHANGE by			SHEET
MORRIS CHANG			24 OF 60
28-Feb-2007			

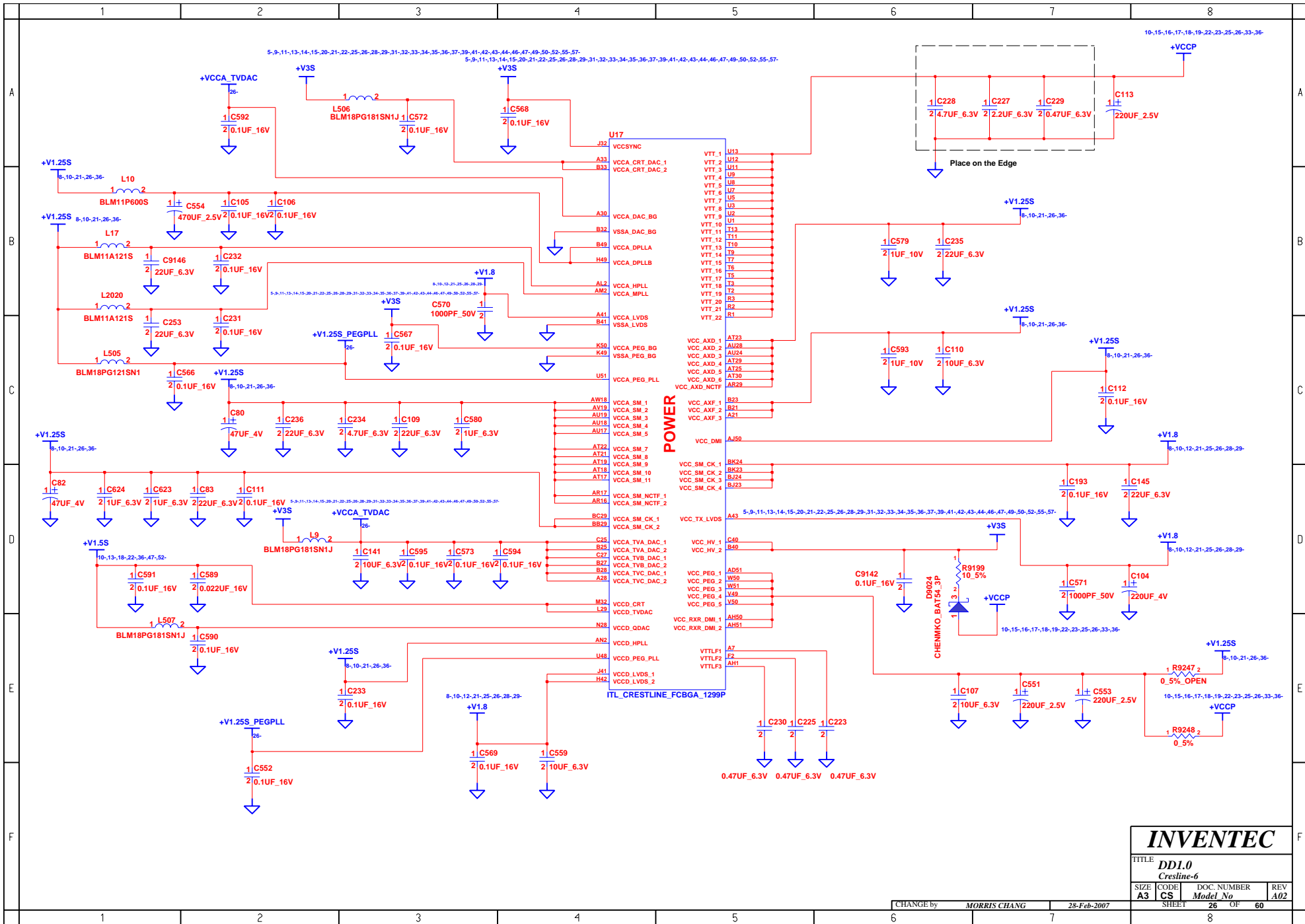


INVENTEC

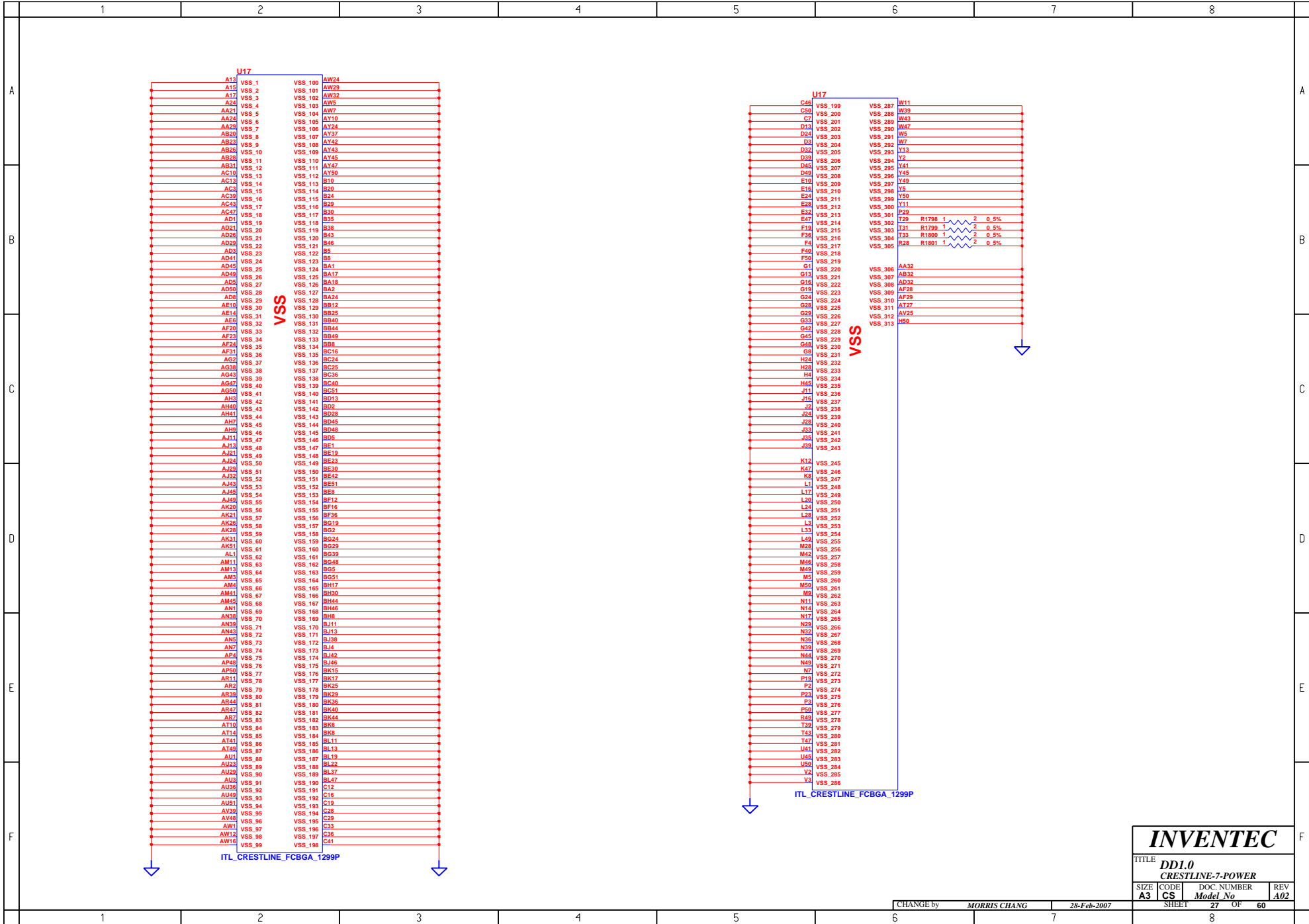
TITLE			
DDR1.0			
CRESTLINE-5-POWER			
SIZE	CODE	DOC. NUMBER	REV
A3	CS	Model No	A02
SHEET		25	OF 60

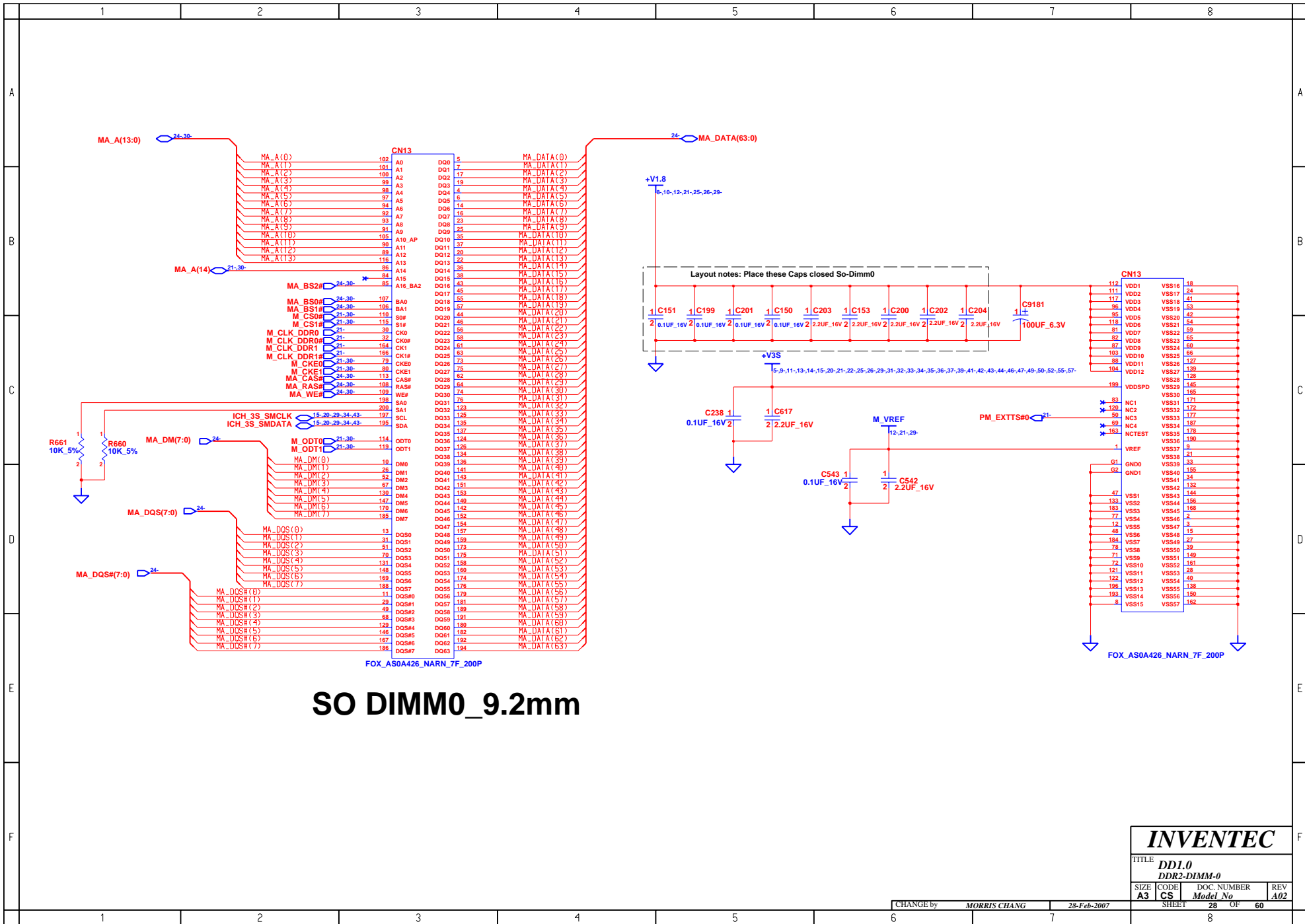
CHANGE by MORRIS CHANG 28-Feb-2007

Place C2046 where LVDS and DDR2 taps.

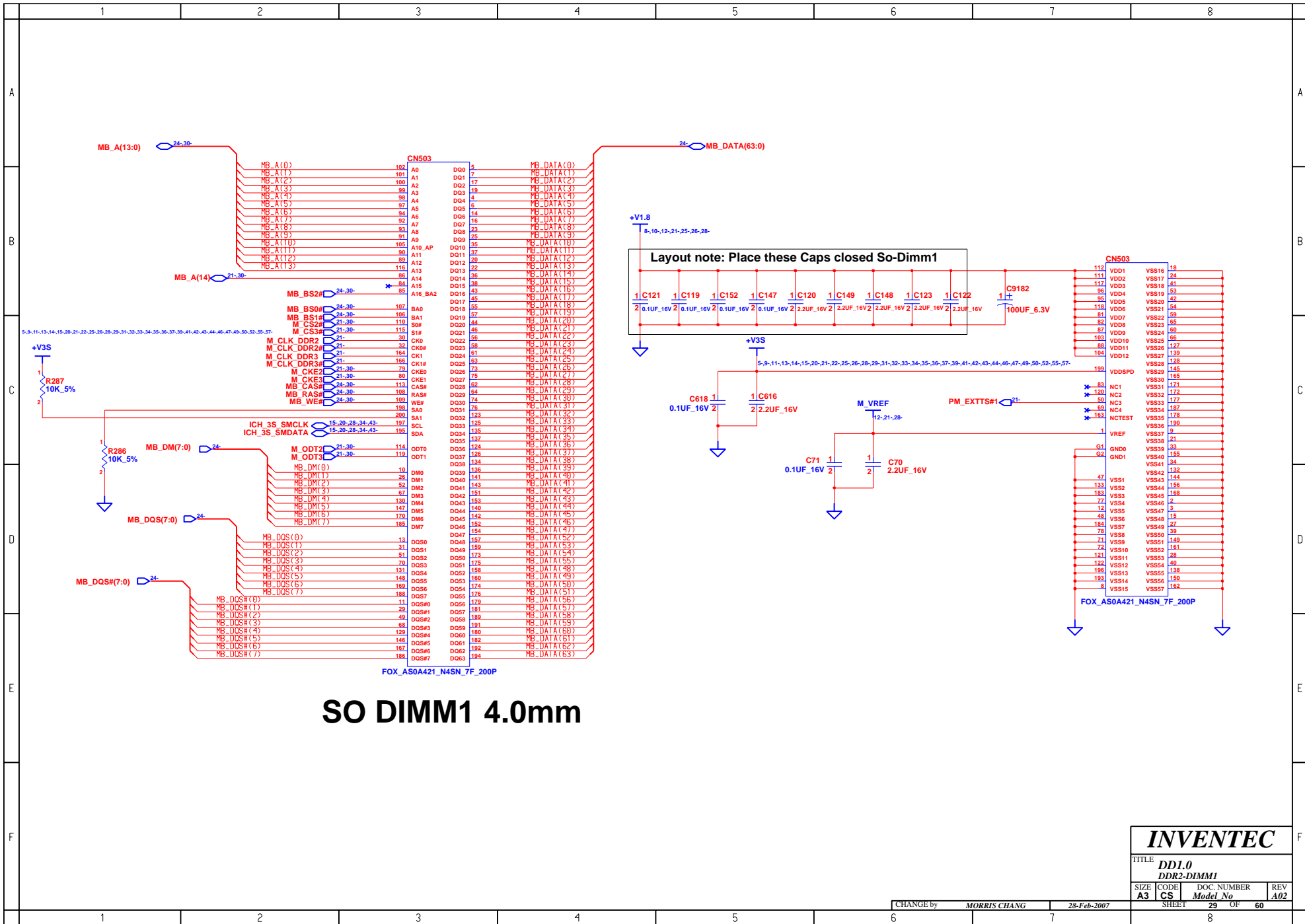


INVENTEC			
TITLE			
DD1.0 Crestline-6			
SIZE	CODE	DOC. NUMBER	REV
A3	CS	Model No	A02
CHANGE by		MORRIS CHANG	28-Feb-2007
SHEET		26	OF 60





INVENTEC			
TITLE			
DD1.0 DDR2-DIMM-0			
SIZE	CODE	DOC. NUMBER	REV
A3	CS	Model No	A02
CHANGE by		MORRIS CHANG	28-Feb-2007
SHEET		28	OF 60



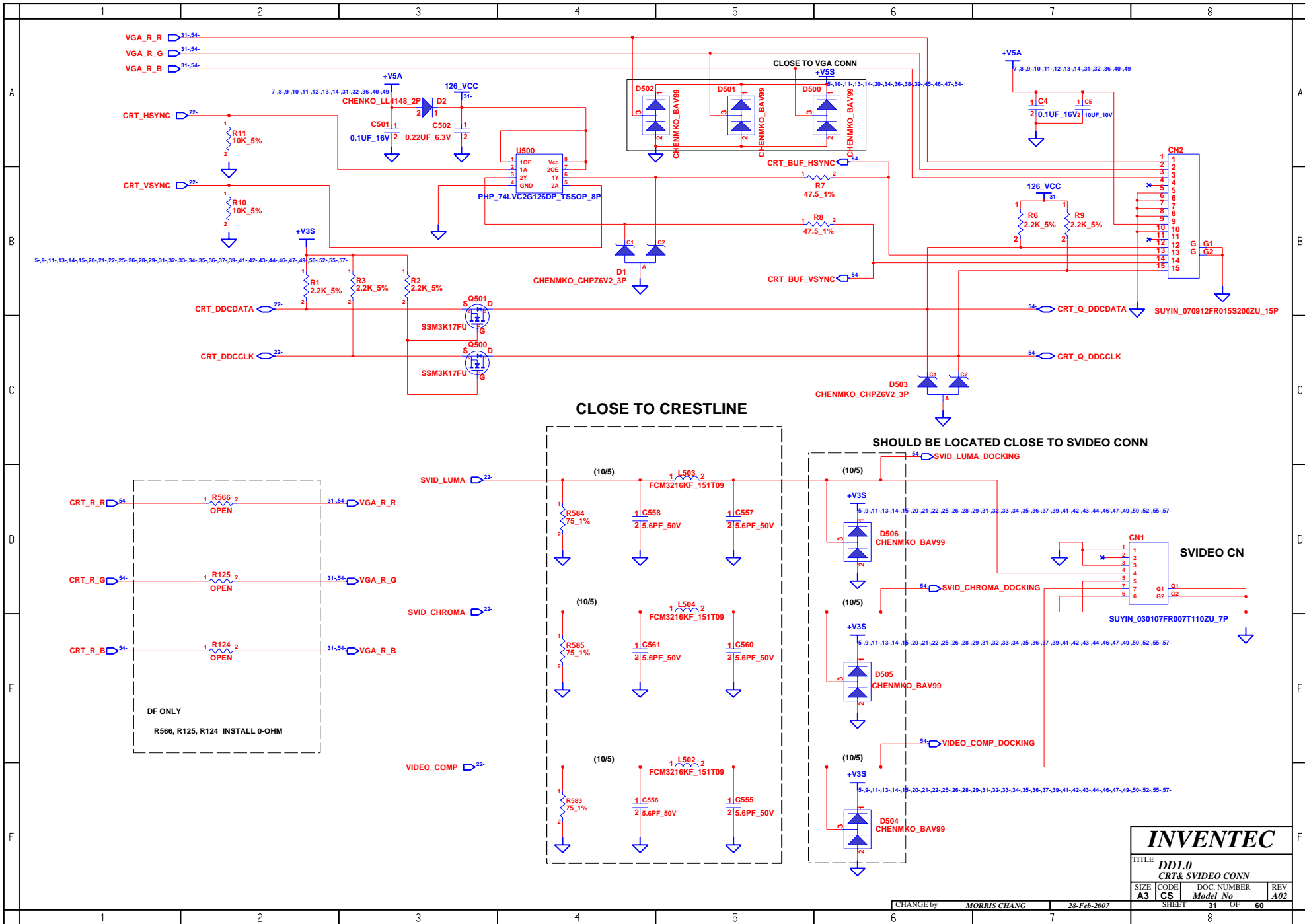
INVENTEC			
TITLE DD1.0 DDR2-DIMM1			
SIZE A3	CODE CS	DOC. NUMBER <i>Model No</i>	REV A02
CHANGE by <i>MORRIS CHANG</i>		28-Feb-2007	
SHEET 29		OF 60	



LAYOUT NOTES : PLACE ONE CAP CLOSE TO EVERY 2 PULL UP RESISTOR TERMINATED TO +V0.9S

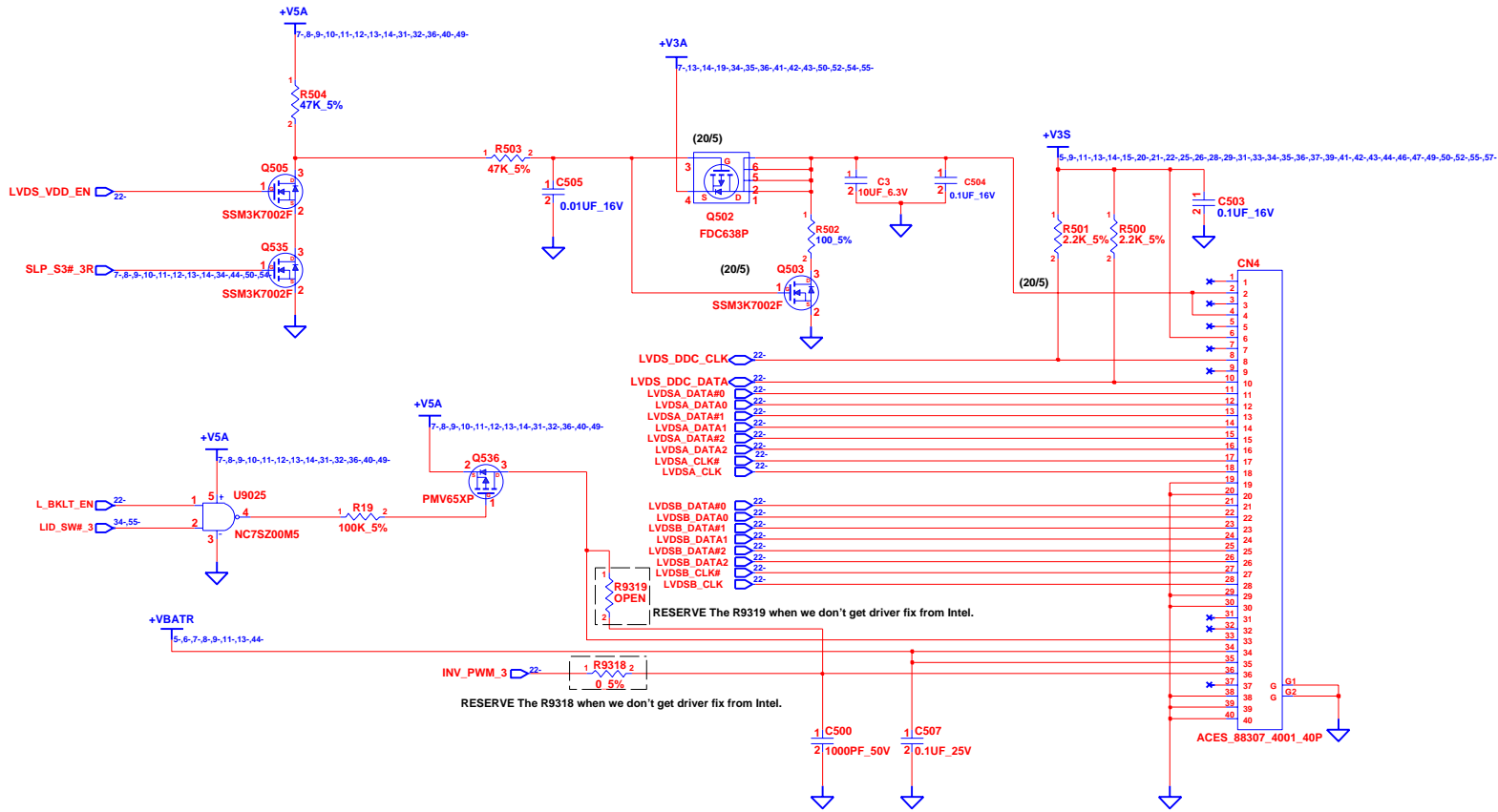
INVENTEC

TITLE			
DDR1.0			
DDR2-DAMPING			
SIZE	CODE	DOC. NUMBER	REV
A3	CS	Model No	A02



INVENTEC			
TITLE DD1.0 CRT & SVIDEO CONN			
SIZE A3	CODE CS	DOC. NUMBER <i>Model No</i>	REV A02
CHANGE by <i>MORRIS CHANG</i>		28-Feb-2007	
SHEET 31		OF 60	

Place closed to connector

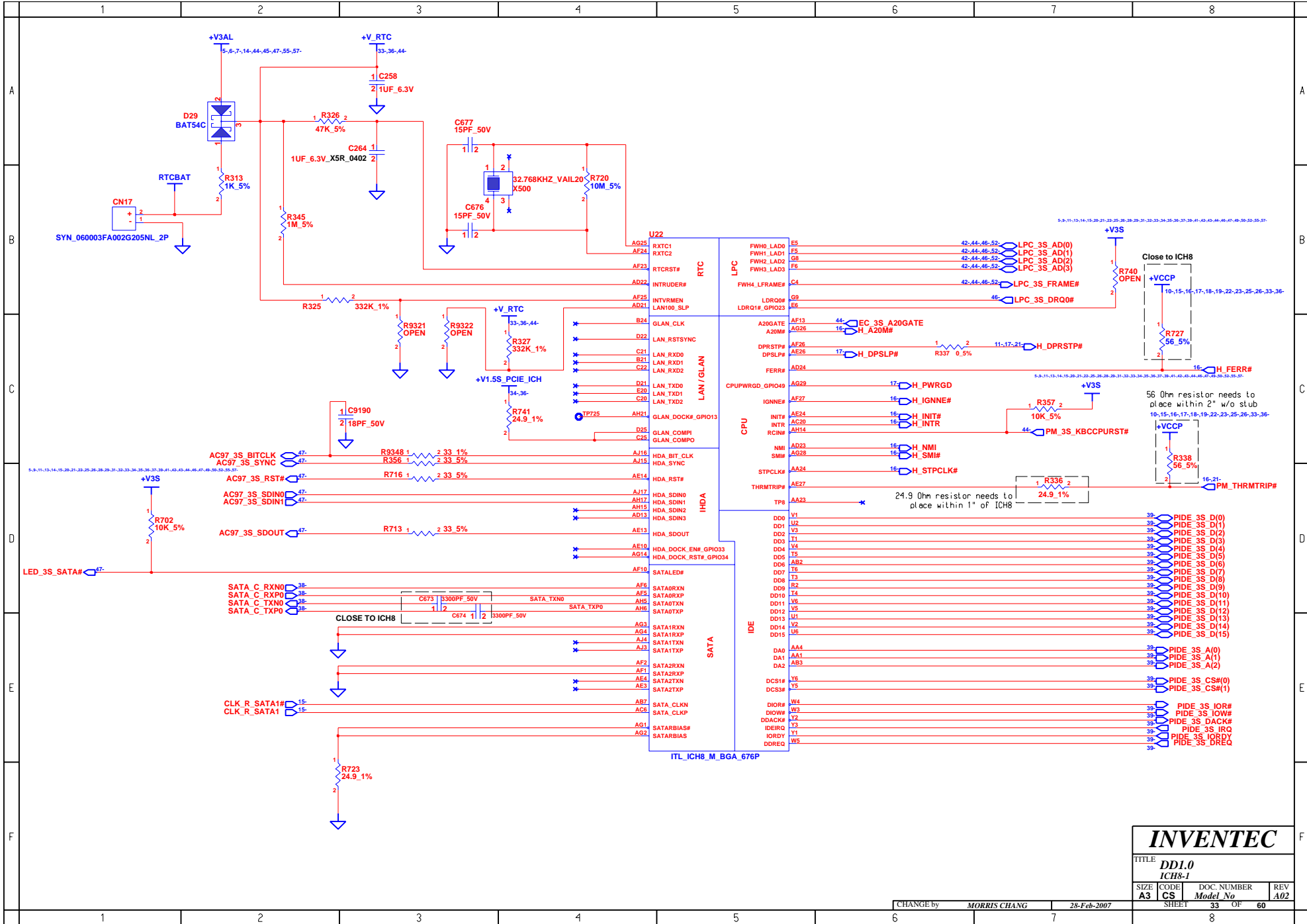


INVENTEC

TITLE
**DDI.0
 LCD CONN**

SIZE A3	CODE CS	DOC. NUMBER <i>Model No</i>	REV A02
-------------------	-------------------	--------------------------------	-------------------

CHANGE by *MORRIS CHANG* 28-Feb-2007 SHEET 32 OF 60

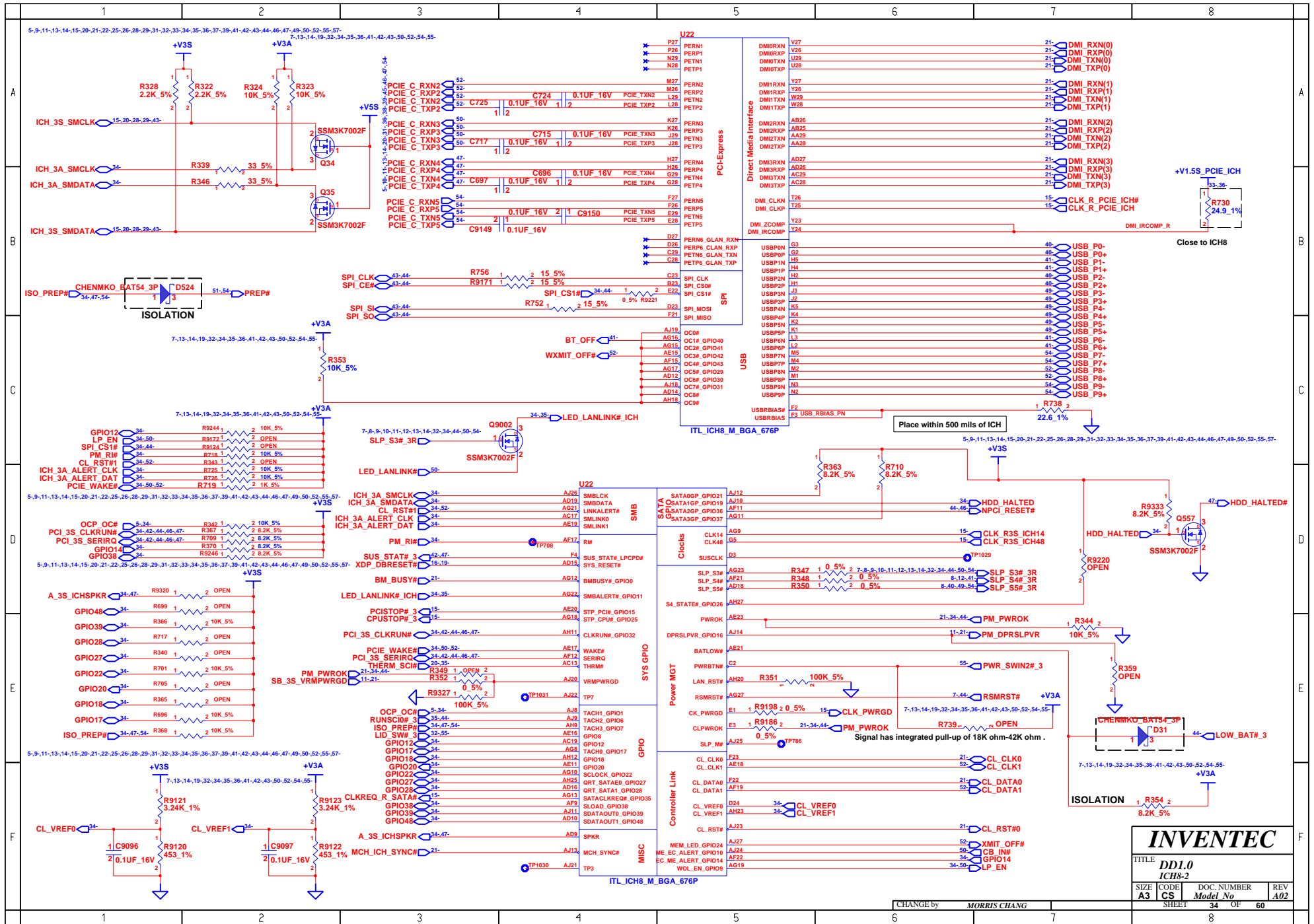


INVENTEC

TITLE			
DD1.0			
ICH8-1			
SIZE	CODE	DOC. NUMBER	REV
A3	CS	Model No	A02

CHANGE by MORRIS CHANG 28-Feb-2007

SHEET 33 OF 60

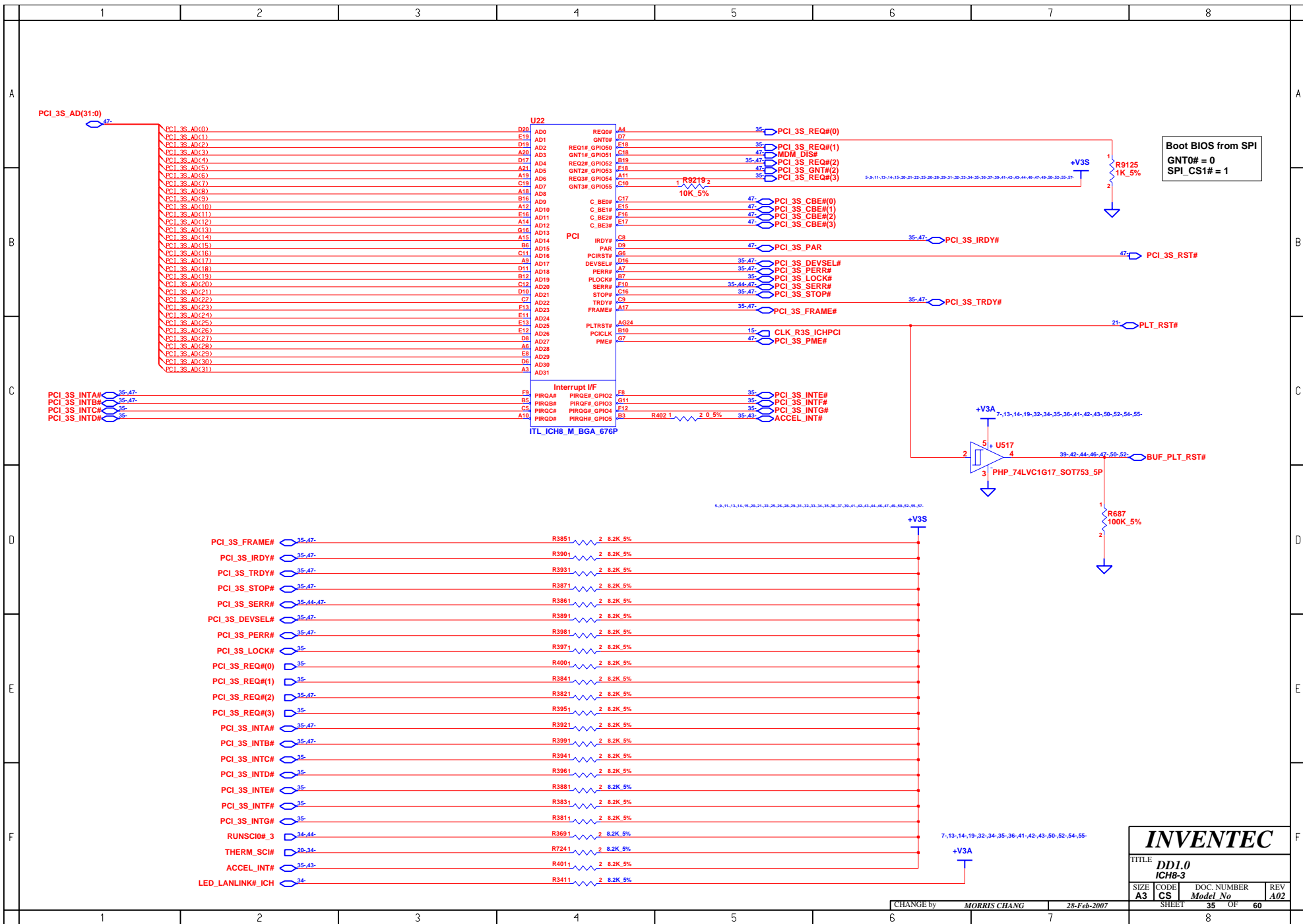


INVENTEC

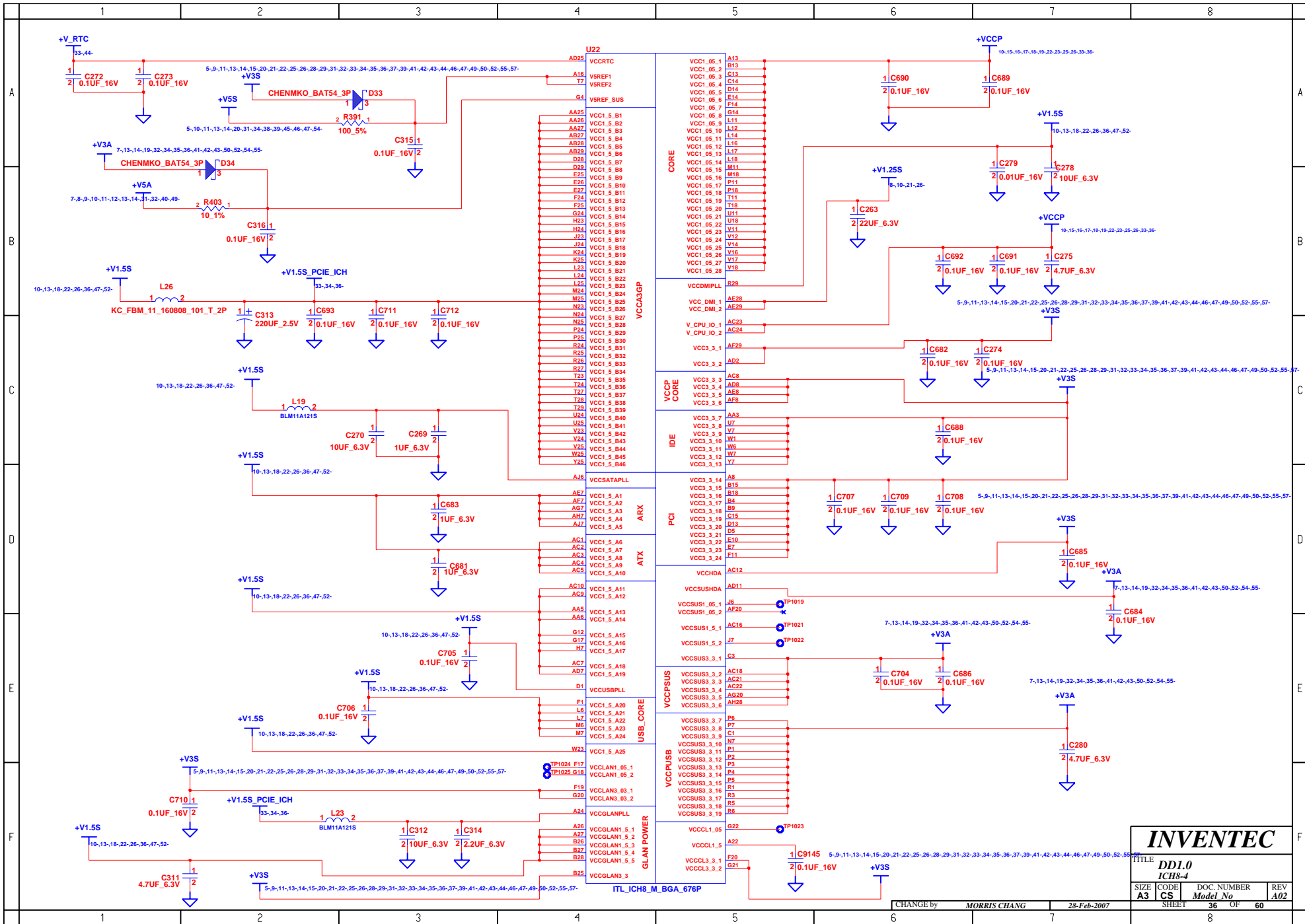
TITLE
DDI.0
ICH8-2

SIZE	CODE	DOC. NUMBER	REV
A3	CS	Model No	A02

SHEET	34	OF	60
-------	----	----	----



INVENTEC			
TITLE DD1.0 ICH8-3			
SIZE A3	CODE CS	DOC. NUMBER Model No	REV A02
CHANGE by MORRIS CHANG		28-Feb-2007	
SHEET		35 OF 60	



INVENTEC

DD1.0 ICH8-4			
SIZE A3	CODE CS	DOC. NUMBER Model No	REV A02
SHEET 36		OF 60	

CHANGE by MORRIS CHANG 28-Feb-2007

A

B

C

D

E

F

A

B

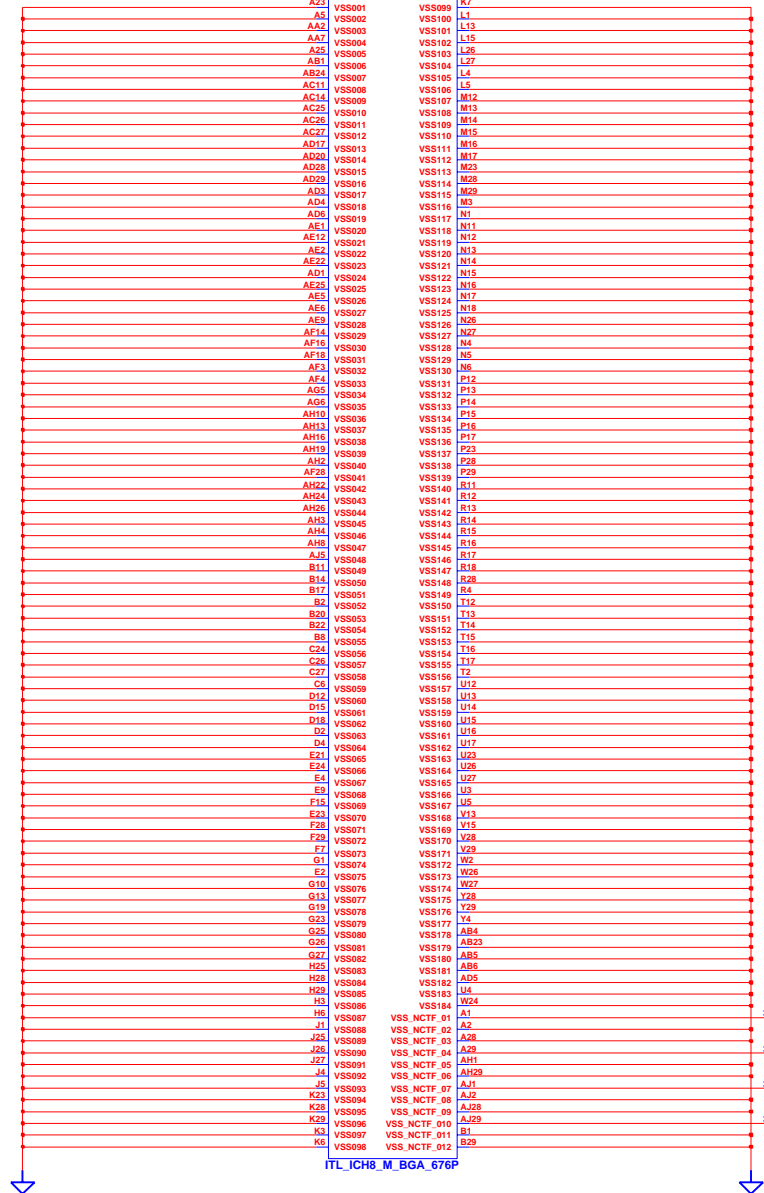
C

D

E

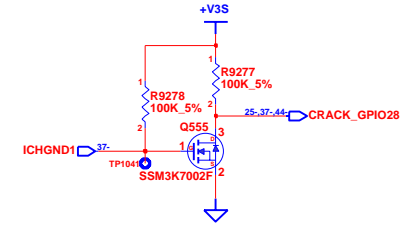
F

U22

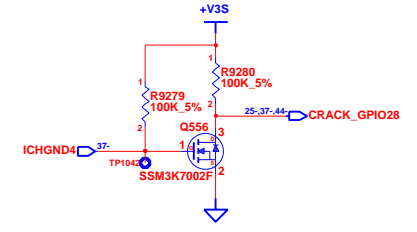


ITL_ICH8_M_BGA_676P

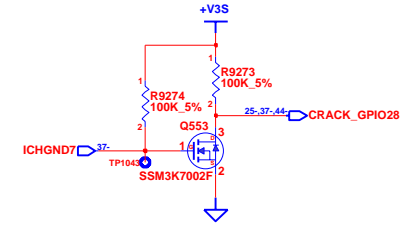
5-9,11,13,14,15,20-21,22-25,26-28-29-31-32,33-34,35-36,37,39-41,42,43,44,46-47,49,50,52,55-57



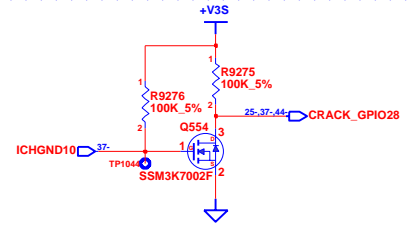
5-9,11,13,14,15,20-21,22-25,26-28-29-31-32,33-34,35-36,37,39-41,42,43,44,46-47,49,50,52,55-57



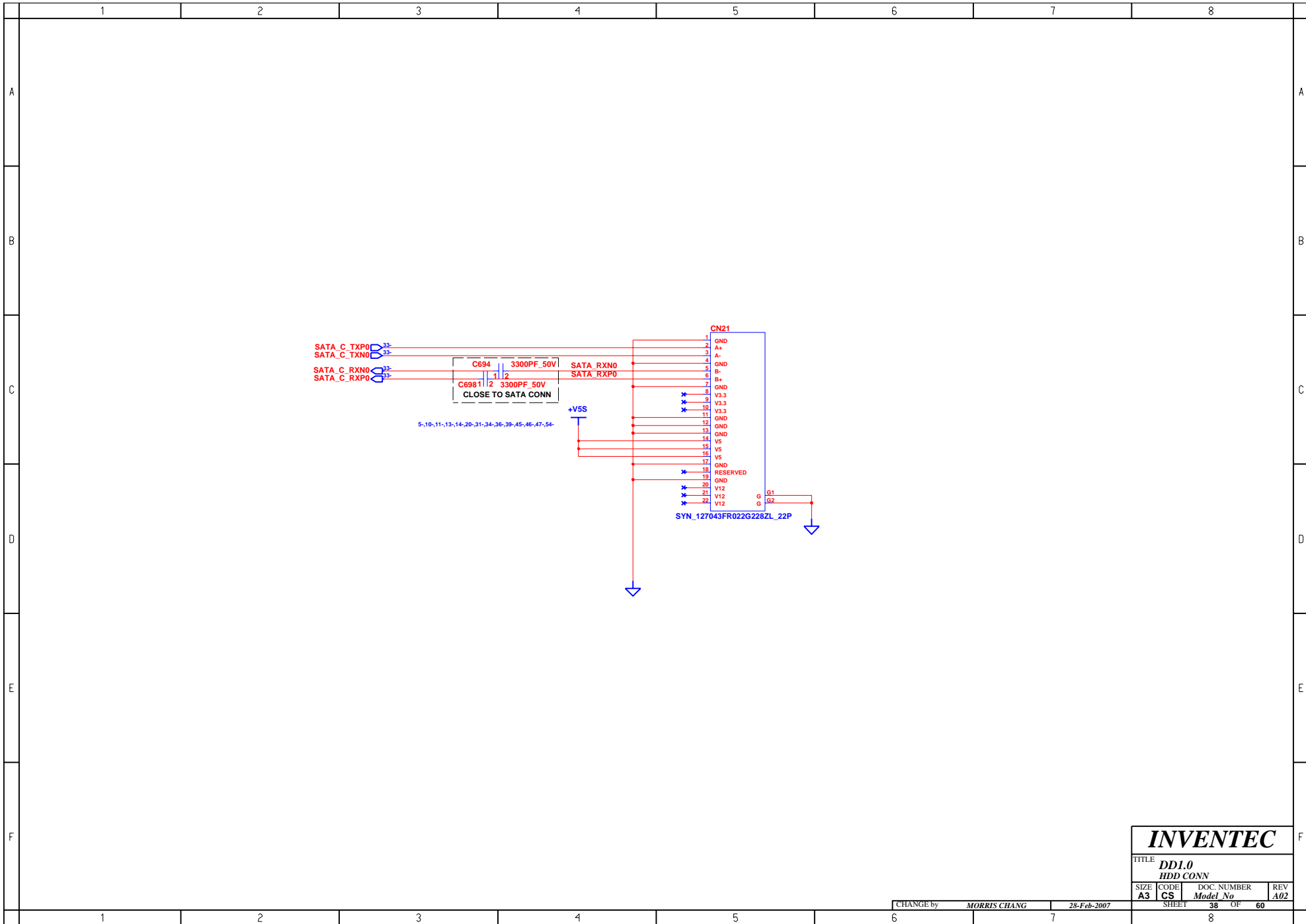
5-9,11,13,14,15,20-21,22-25,26-28-29-31-32,33-34,35-36,37,39-41,42,43,44,46-47,49,50,52,55-57



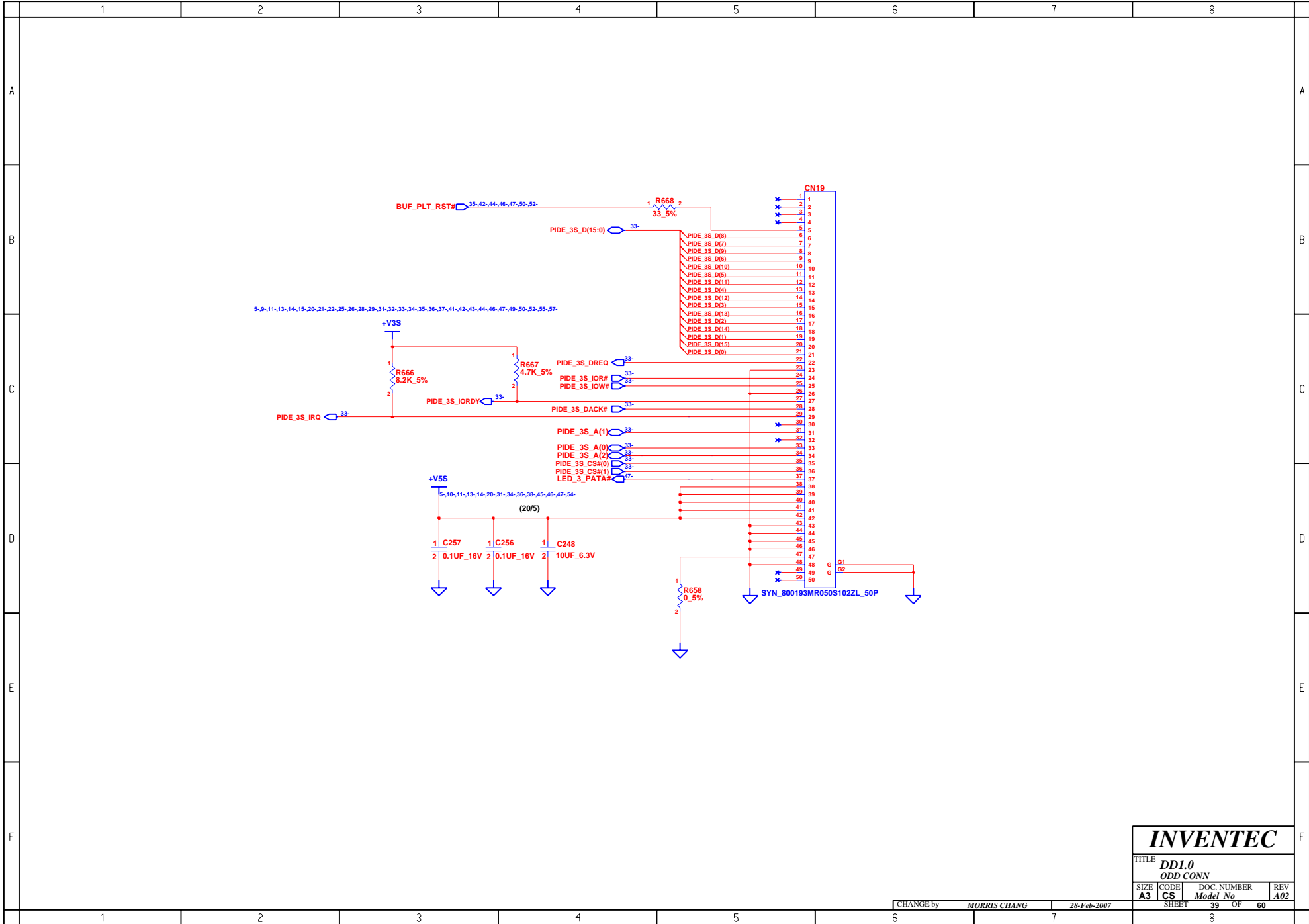
5-9,11,13,14,15,20-21,22-25,26-28-29-31-32,33-34,35-36,37,39-41,42,43,44,46-47,49,50,52,55-57



INVENTEC			
TITLE DD1.0 ICH8-5			
SIZE A3	CODE CS	DOC. NUMBER <i>Model No</i>	REV A02
SHEET		OF	
37		60	



INVENTEC			
TITLE DD1.0 HDD CONN			
SIZE A3	CODE CS	DOC. NUMBER <i>Model No</i>	REV A02

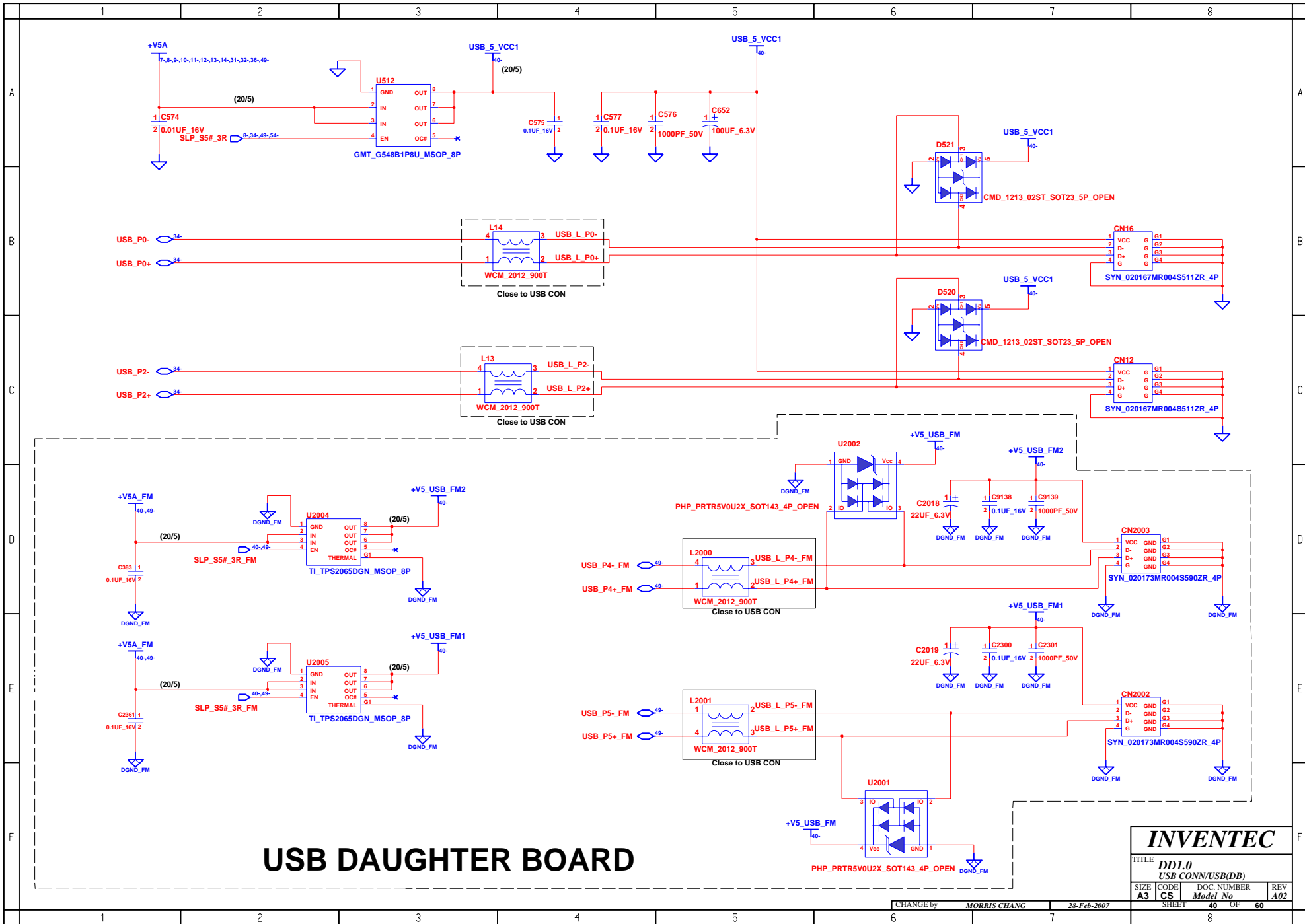


INVENTEC

TITLE
DDI.0
ODD CONN

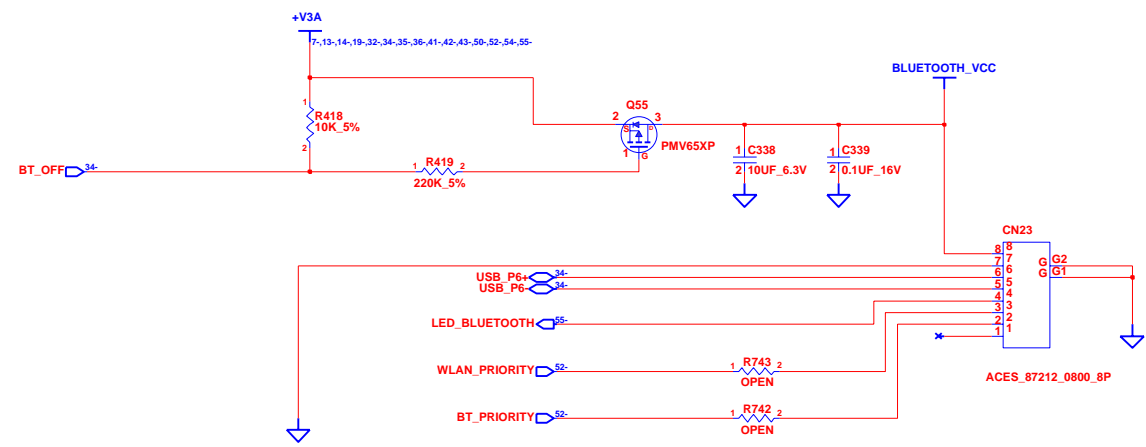
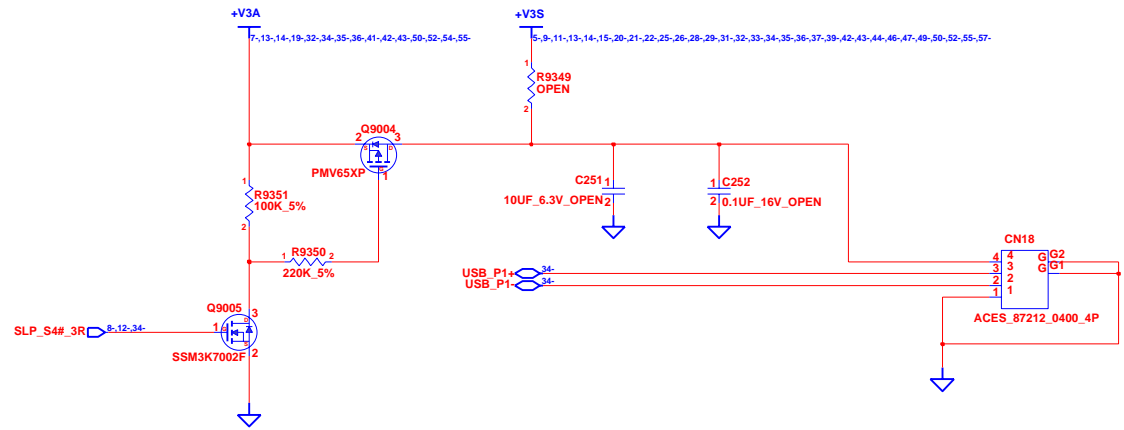
SIZE A3	CODE CS	DOC. NUMBER <i>Model No</i>	REV A02
-------------------	-------------------	--------------------------------	-------------------

CHANGE by **MORRIS CHANG** 28-Feb-2007



USB DAUGHTER BOARD

INVENTEC			
TITLE DD1.0 USB CONN/USB(DB)			
SIZE A3	CODE CS	DOC. NUMBER <i>Model No.</i>	REV A02
CHANGE by <i>MORRIS CHANG</i>		28-Feb-2007	
SHEET 40		OF 60	

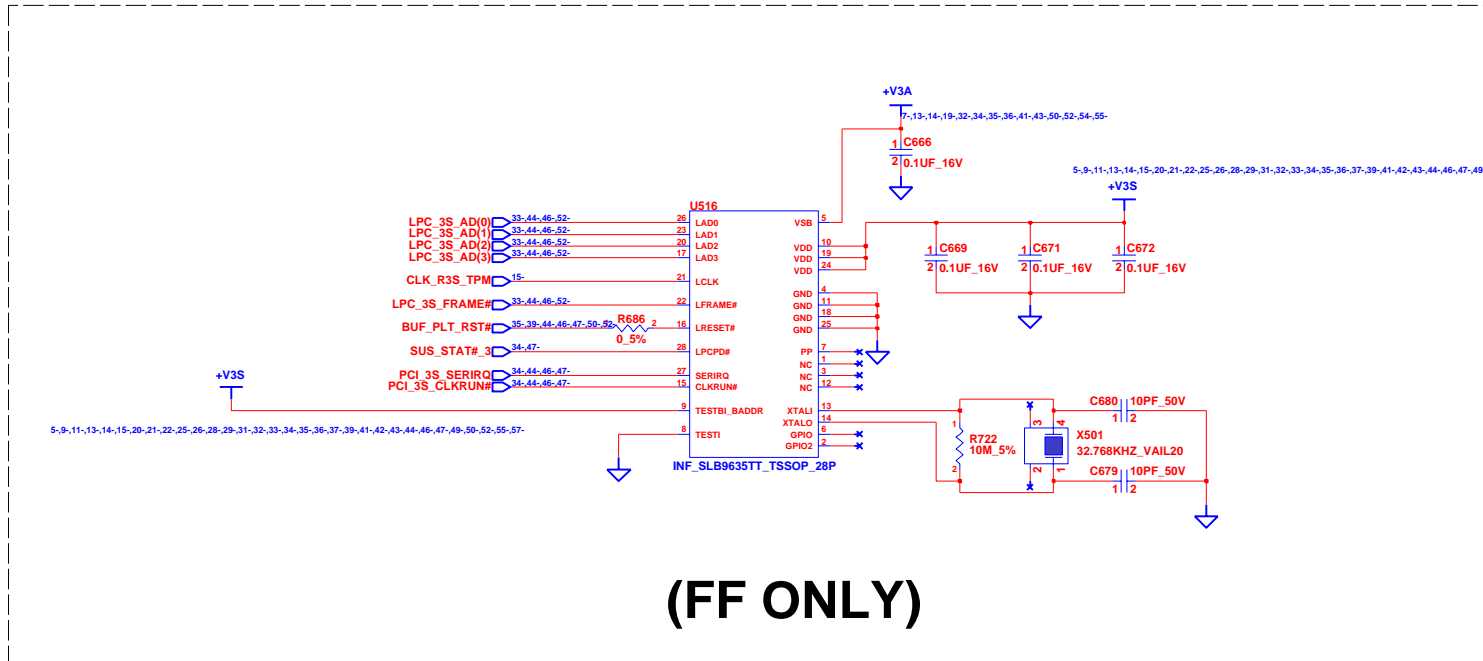


INVENTEC

TITLE			
DD1.0			
Finger Printer & BlueTooth			
SIZE	CODE	DOC. NUMBER	REV
A3	CS	Model No	A02

CHANGE by MORRIS CHANG 28-Feb-2007

SHEET 41 OF 60



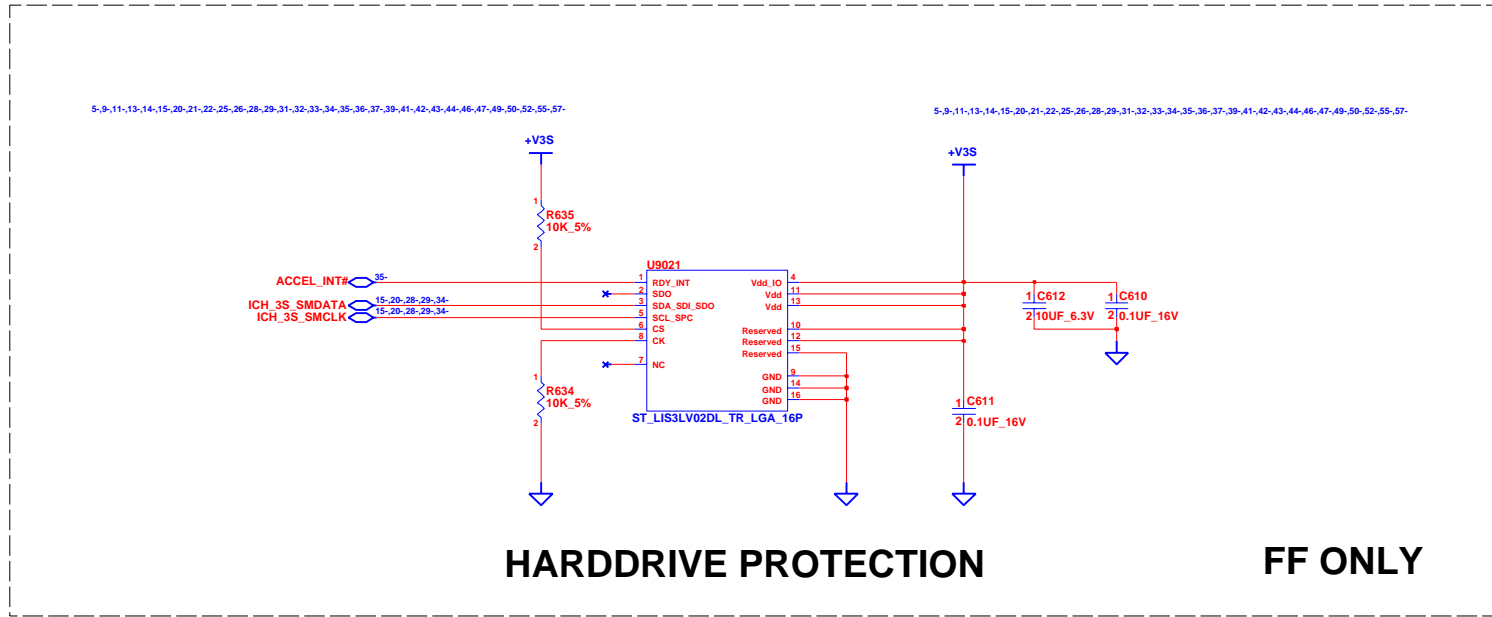
(FF ONLY)

INVENTEC

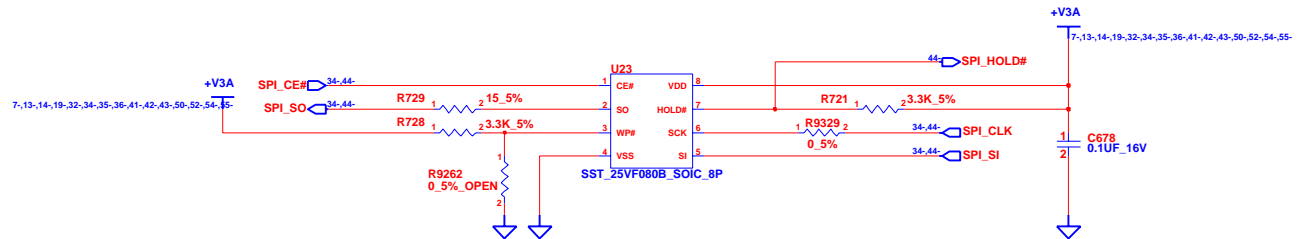
TITLE			
DD1.0			
TPM V1.2			
SIZE	CODE	DOC. NUMBER	REV
A3	CS	Model No	A02

CHANGE by MORRIS CHANG 28-Feb-2007

SHEET 42 OF 60



FF ONLY

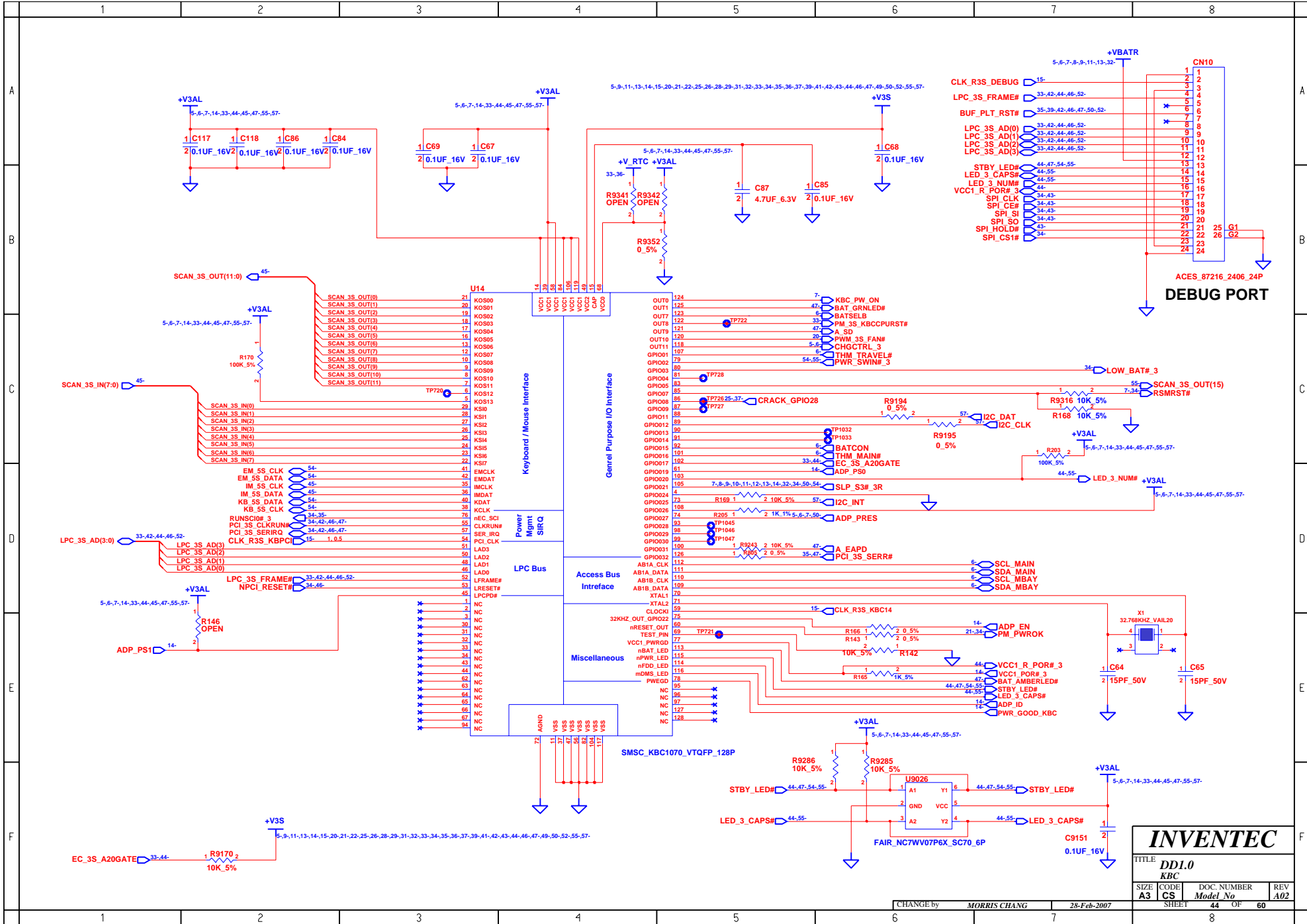


INVENTEC

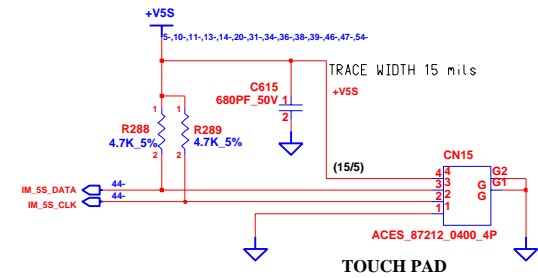
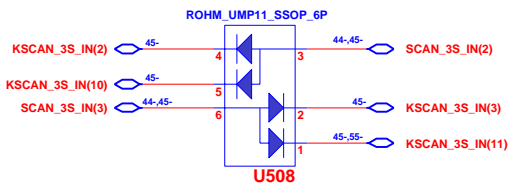
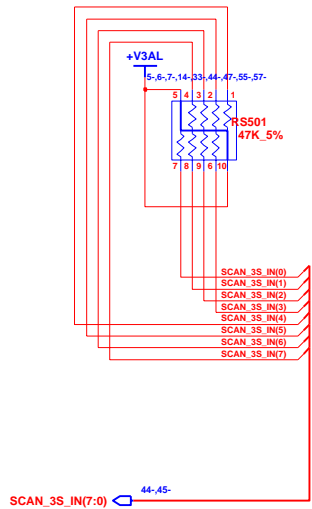
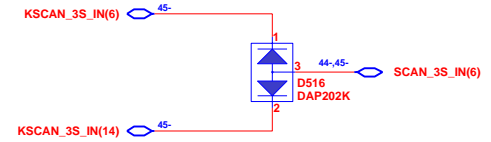
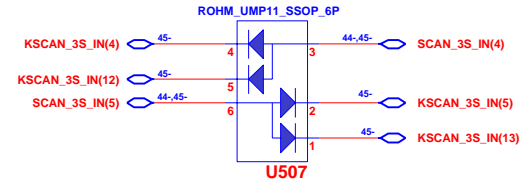
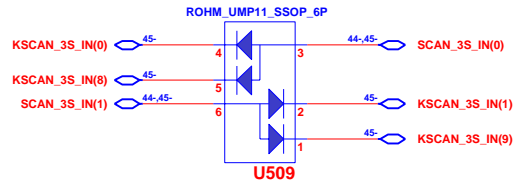
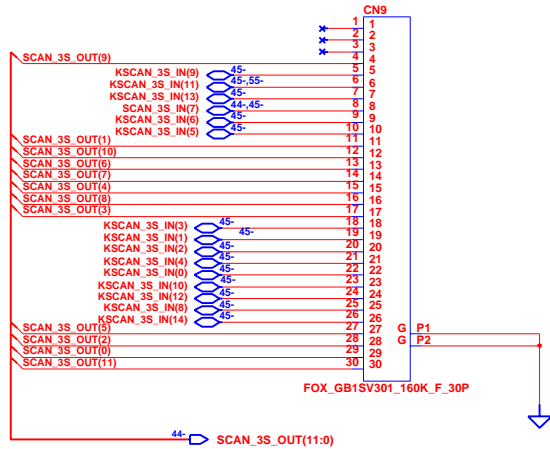
TITLE			
DD1.0			
SPI/HDD PROTECTION			
SIZE	CODE	DOC. NUMBER	REV
A3	CS	Model No	A02

CHANGE by MORRIS CHANG 28-Feb-2007

SHEET 43 OF 60

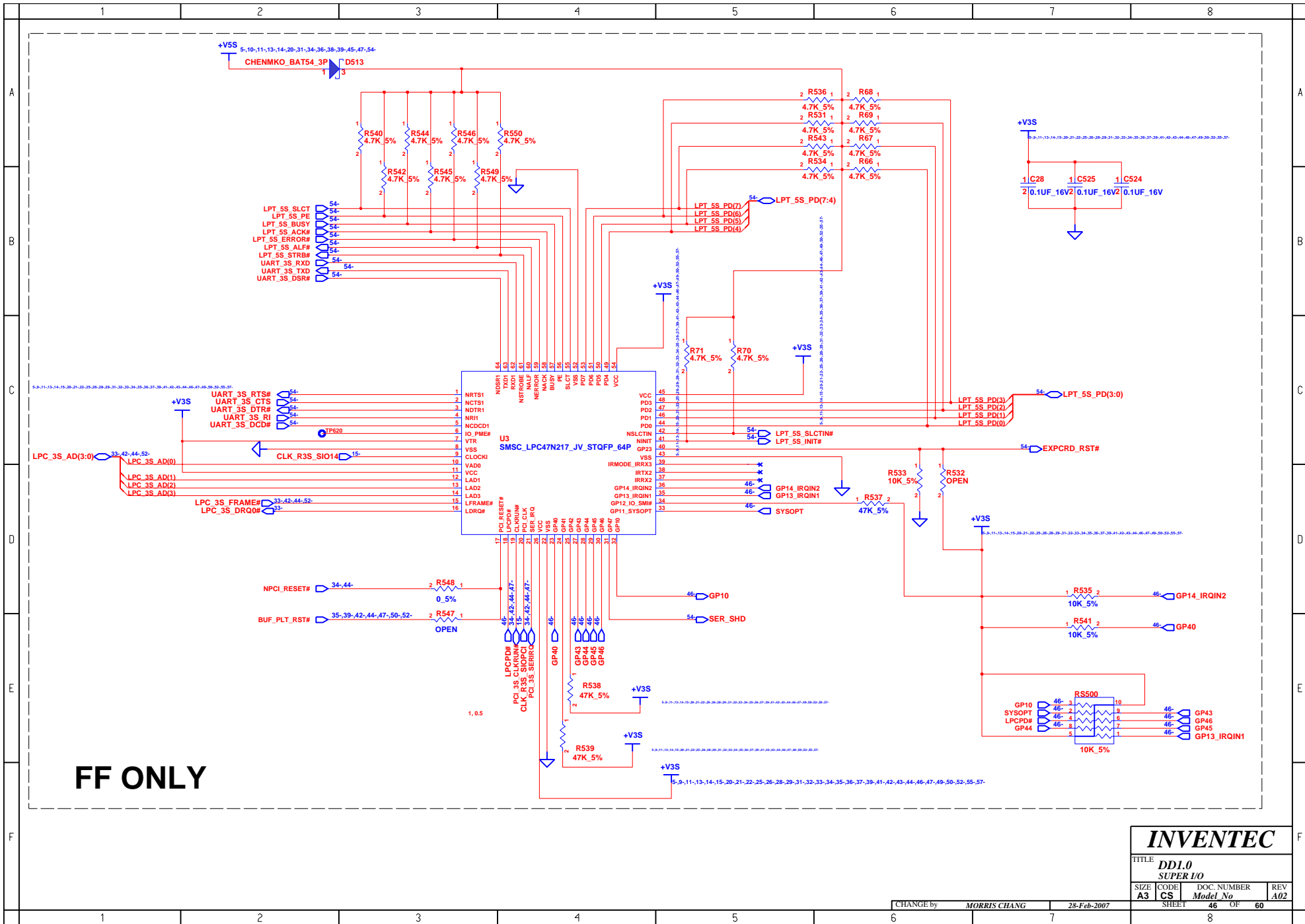


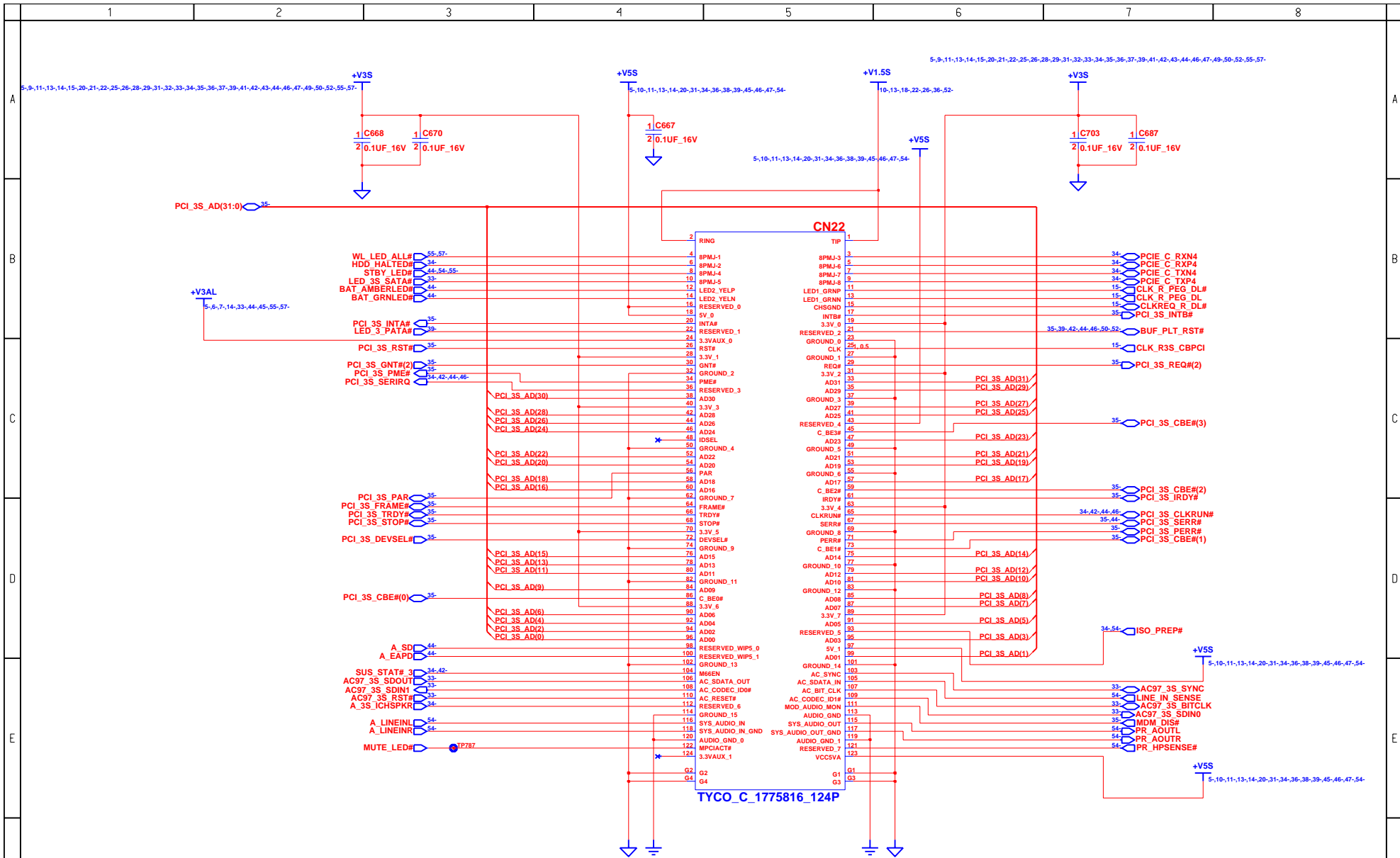
INVENTEC			
TITLE DD1.0 KBC			
SIZE A3	CODE CS	DOC. NUMBER Model No	REV A02
CHANGE by MORRIS CHANG		28-Feb-2007	
SHEET 44		OF 60	



INVENTEC

TITLE			
DD1.0			
INT.KBC/POINT DEVICES			
SIZE	CODE	DOC. NUMBER	REV
A3	CS	Model No	A02





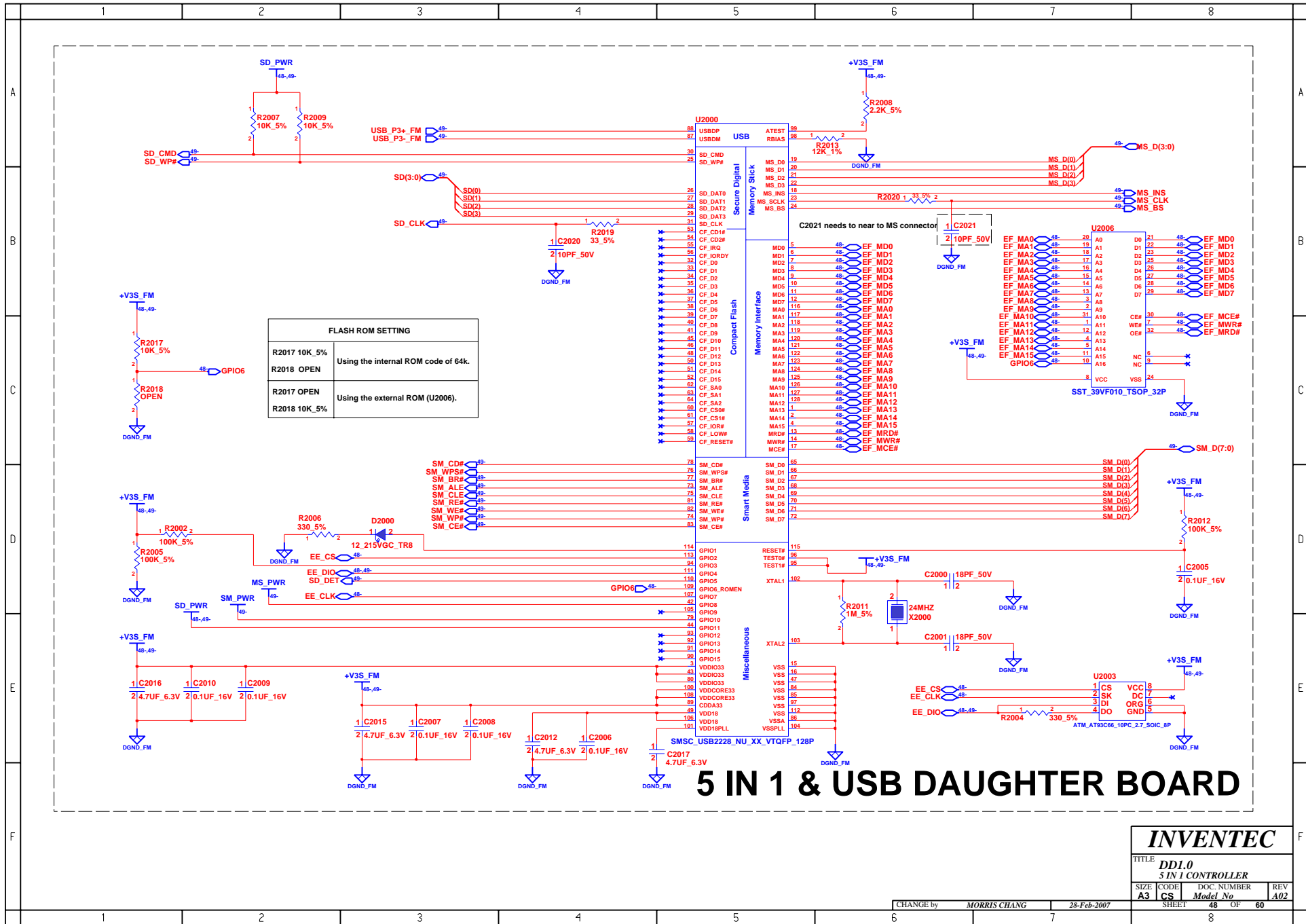
BOARD TO BOARD CONN FOR CARDBUS, 1394, MDC, AUDIO, LED.

INVENTEC

TITLE			
DD1.0			
DAUGHTER BOARD CONN			
SIZE	CODE	DOC. NUMBER	REV
A3	CS	Model No	A02

CHANGE by MORRIS CHANG 28-Feb-2007

SHEET 47 OF 60



FLASH ROM SETTING	
R2017 10K_5%	Using the internal ROM code of 64k.
R2018 OPEN	
R2017 OPEN	Using the external ROM (U2006).
R2018 10K_5%	

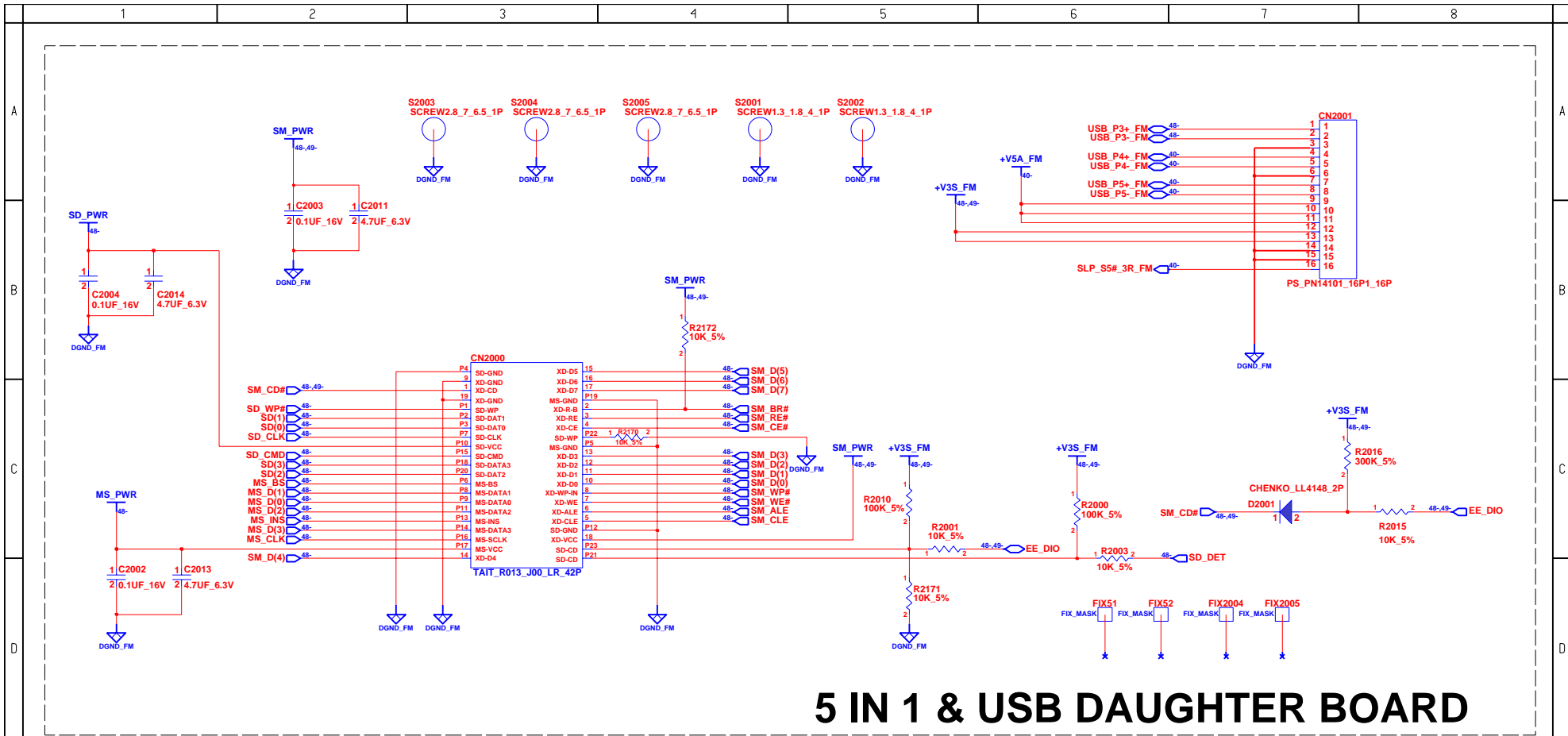
5 IN 1 & USB DAUGHTER BOARD

INVENTEC

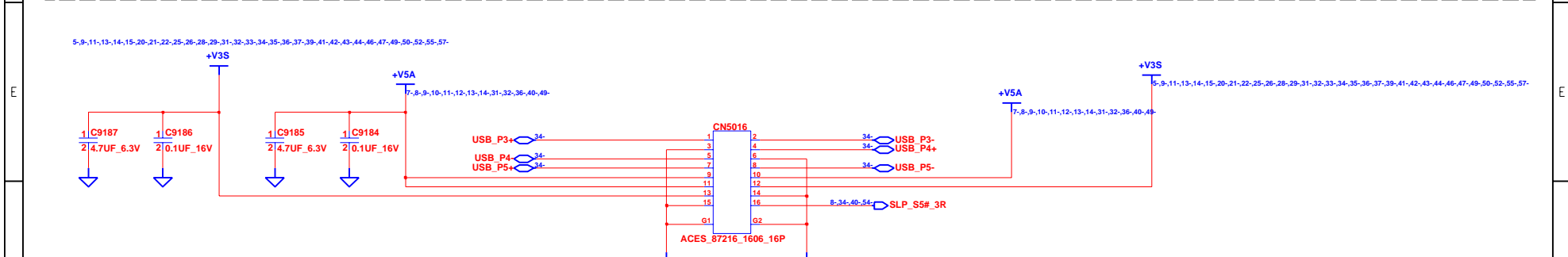
TITLE **DDI.0**
5 IN 1 CONTROLLER

SIZE	CODE	DOC. NUMBER	REV
A3	CS	Model No	A02

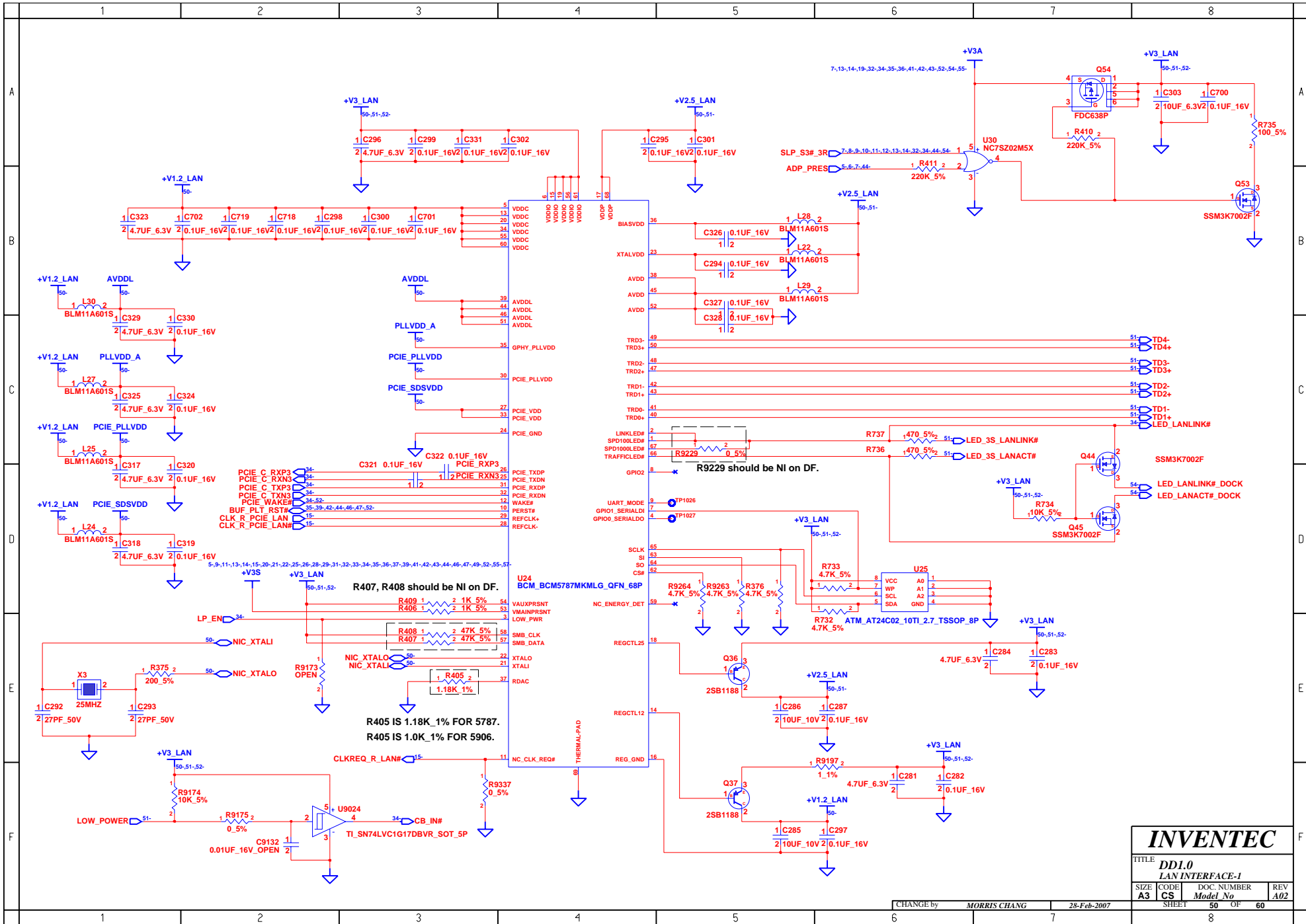
CHANGE by **MORRIS CHANG** 28-Feb-2007 SHEET **8** OF **60**



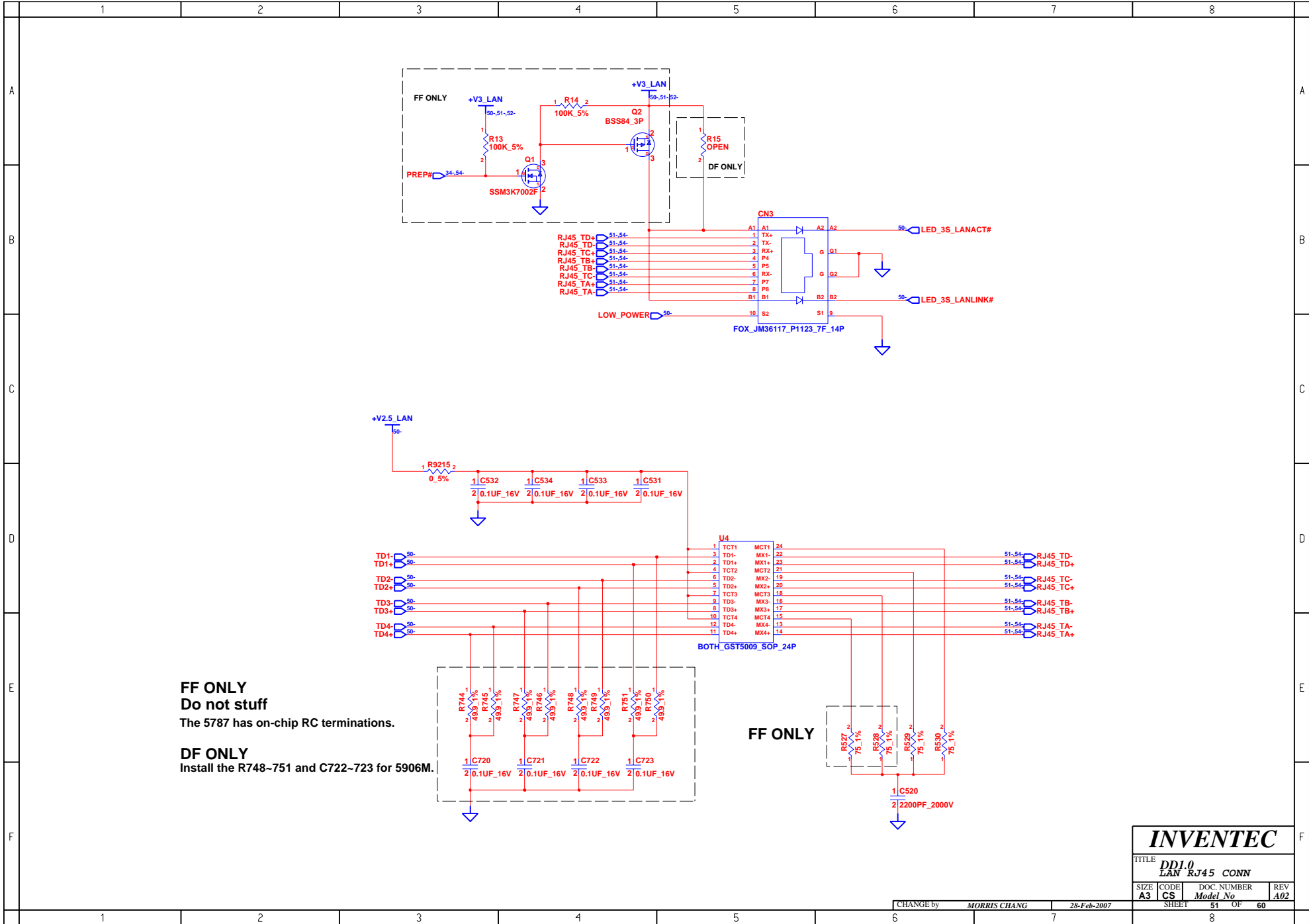
5 IN 1 & USB DAUGHTER BOARD



INVENTEC			
TITLE DD1.0 5 IN 1 CONNECTOR			
SIZE A3	CODE CS	DOC. NUMBER <i>Model No</i>	REV A02



INVENTEC			
TITLE DD1.0 LAN INTERFACE-1			
SIZE A3	CODE CS	DOC. NUMBER <i>Model No</i>	REV A02
CHANGE by <i>MORRIS CHANG</i>		28-Feb-2007	
SHEET 50		OF 60	

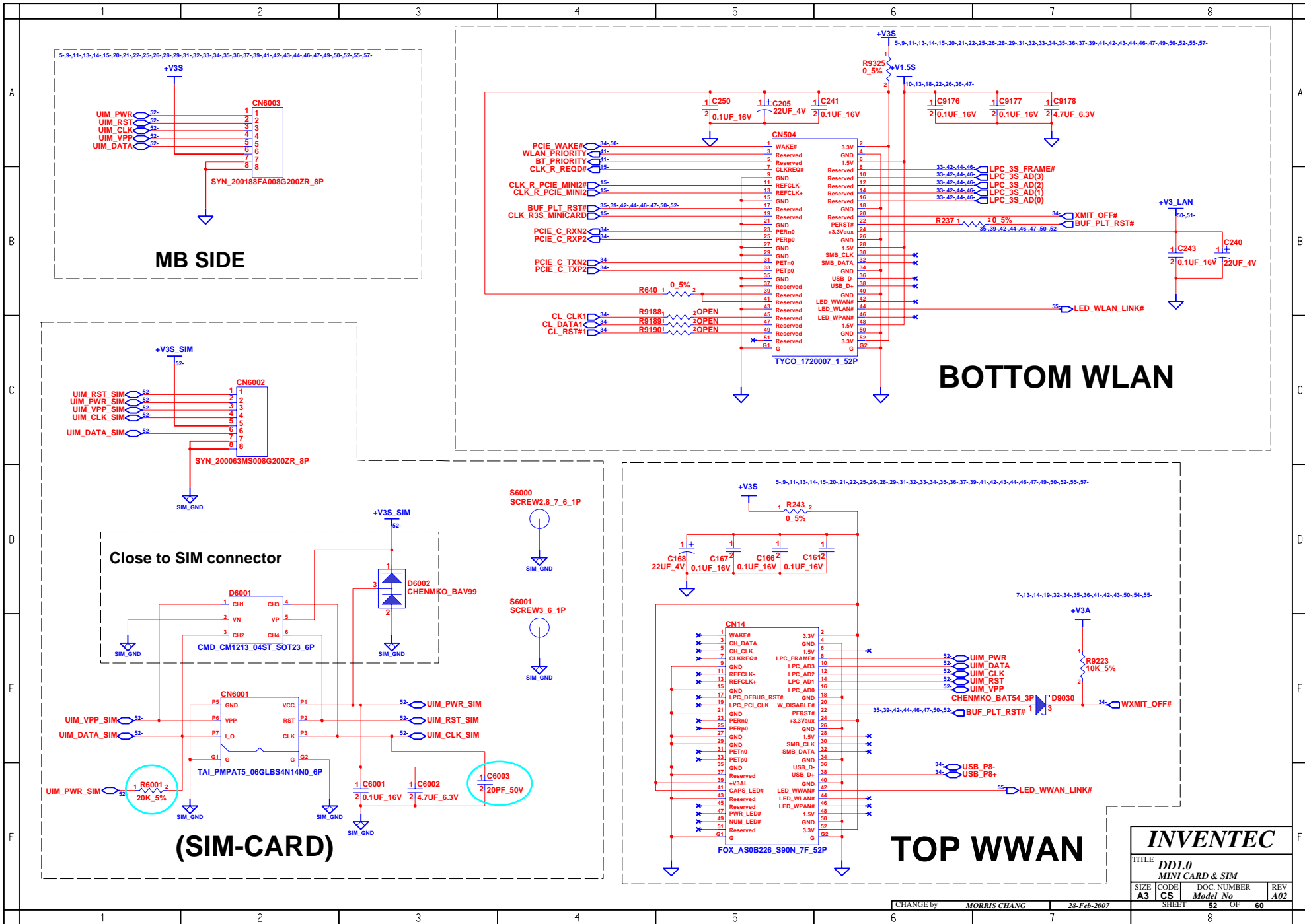


FF ONLY
 Do not stuff
 The 5787 has on-chip RC terminations.

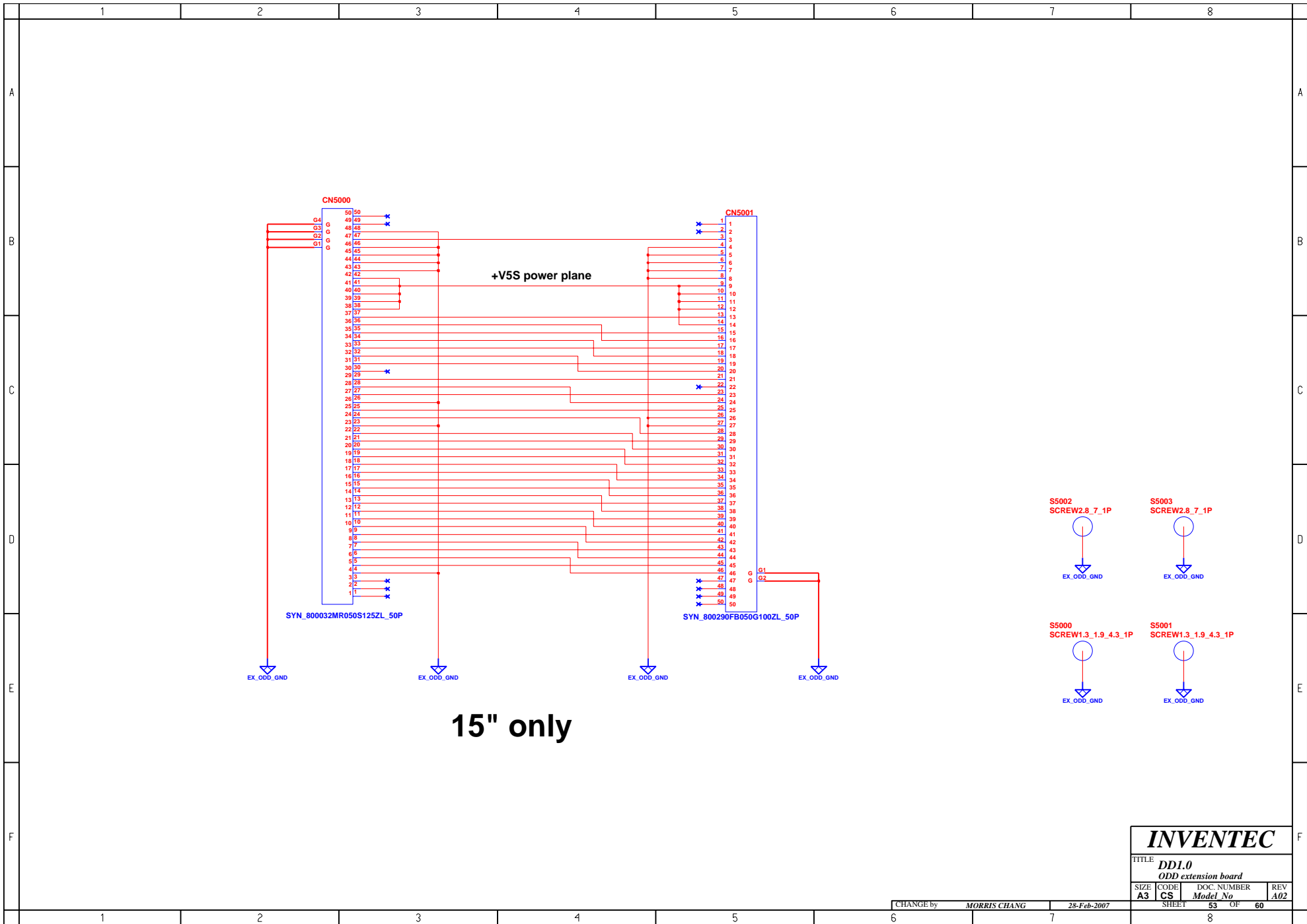
DF ONLY
 Install the R748-751 and C722-723 for 5906M.

FF ONLY

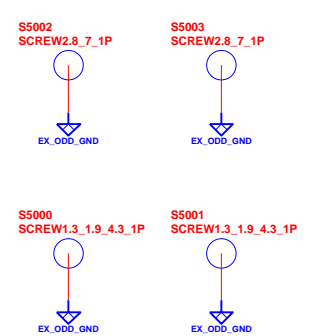
INVENTEC			
TITLE <i>DDI.0</i> LAN RJ45 CONN			
SIZE A3	CODE CS	DOC. NUMBER <i>Model No</i>	REV A02
CHANGE by <i>MORRIS CHANG</i>		28-Feb-2007	
SHEET 51		OF 60	



INVENTEC			
TITLE DDI.0 MINI CARD & SIM			
SIZE	CODE	DOC. NUMBER	REV
A3	CS	Model No	A02
CHANGE by		MORRIS CHANG	28-Feb-2007
SHEET		52	OF 60



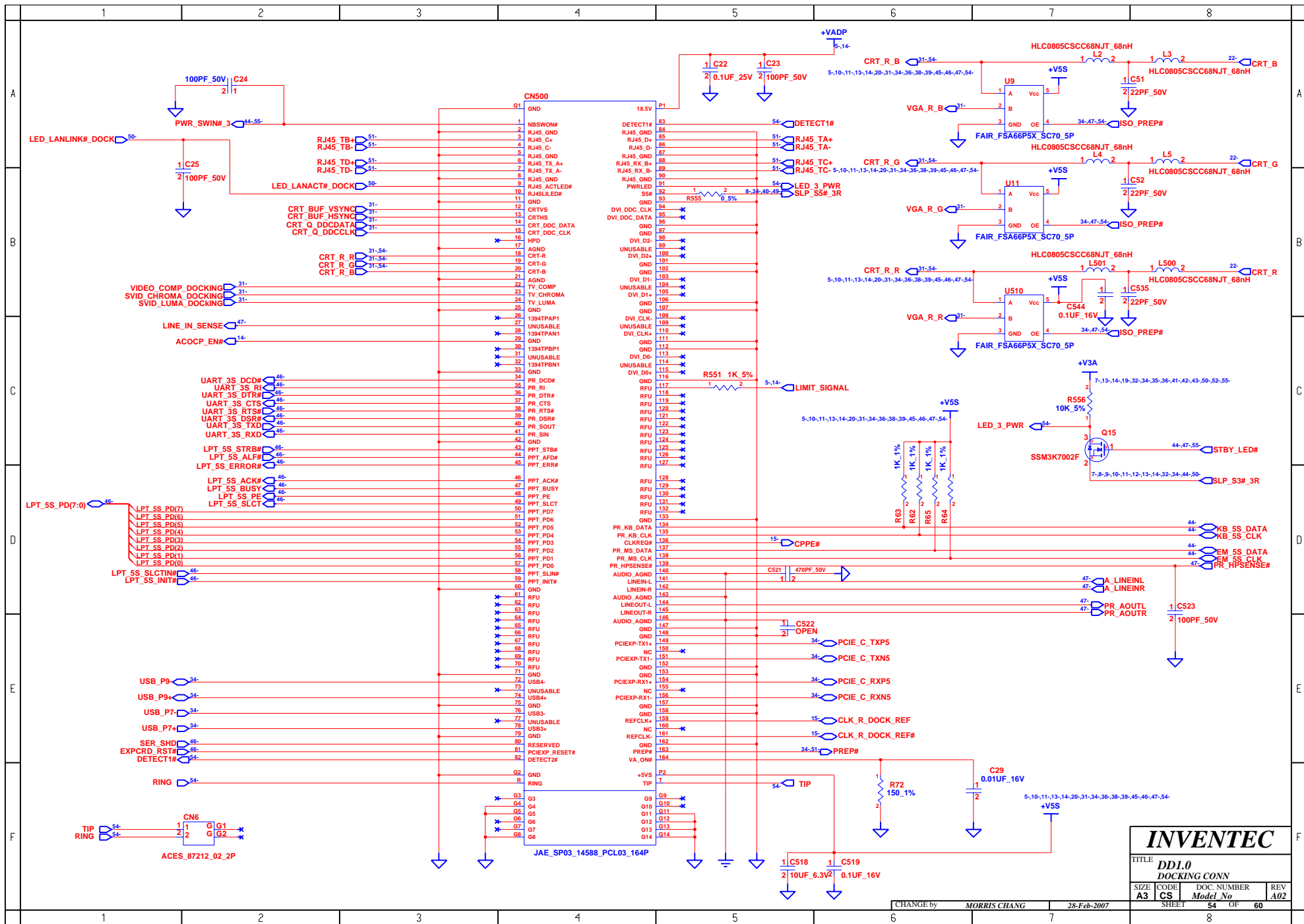
15" only



INVENTEC			
TITLE			
DD1.0 ODD extension board			
SIZE	CODE	DOC. NUMBER	REV
A3	CS	Model No	A02
CHANGE by		SHEET	
MORRIS CHANG		53 OF 60	

28-Feb-2007

8



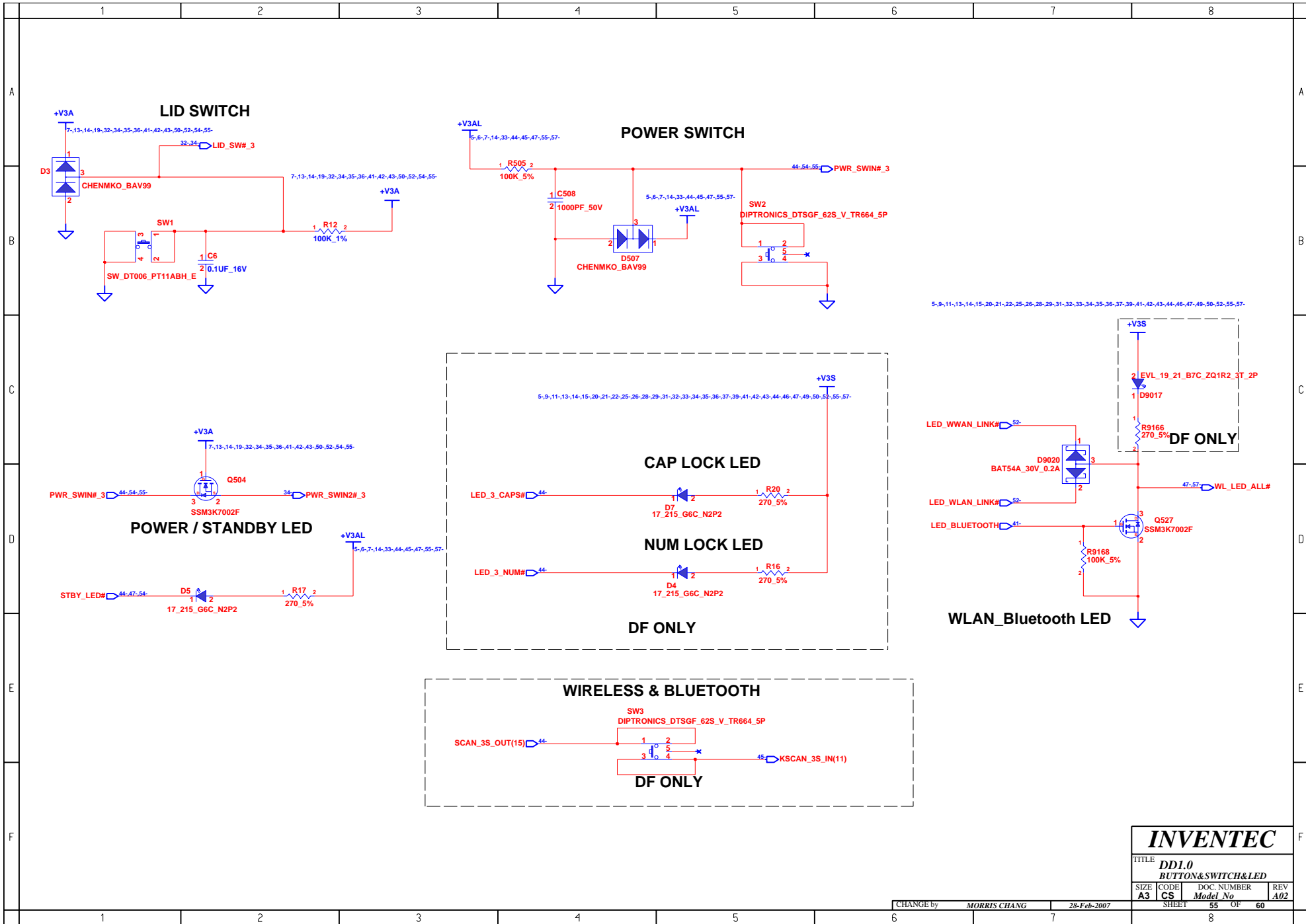
INVENTEC

TITLE: **DD1.0 DOCKING CONN**

SIZE	CODE	DOC. NUMBER	REV
A3	CS	Model No	A02

SHEET 54 OF 60

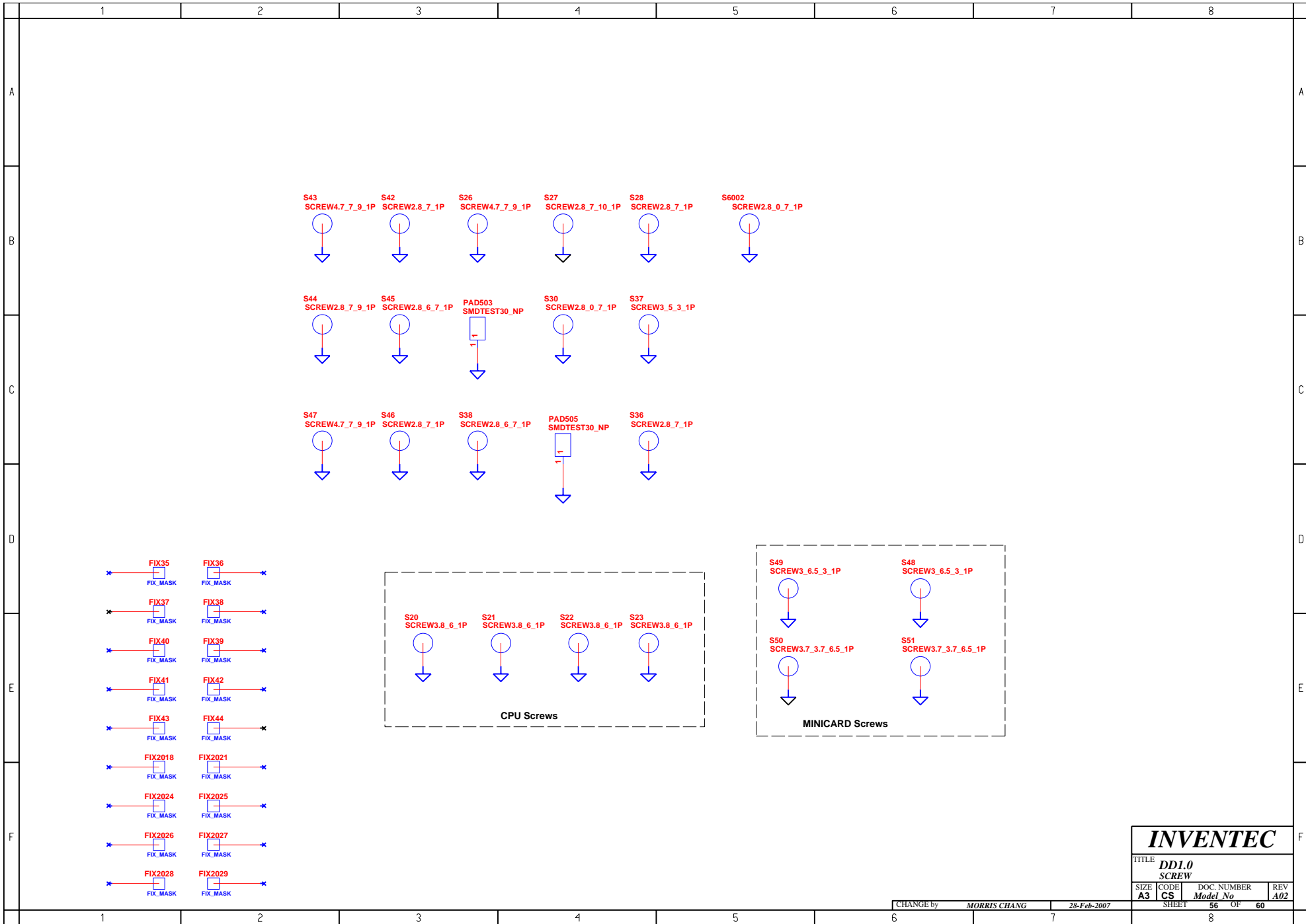
CHANGE by MORRIS CHANG 28-Feb-2007



INVENTEC

TITLE			
DD1.0			
BUTTON&SWITCH&LED			
SIZE	CODE	DOC. NUMBER	REV
A3	CS	Model No	A02

CHANGE by MORRIS CHANG 28-Feb-2007

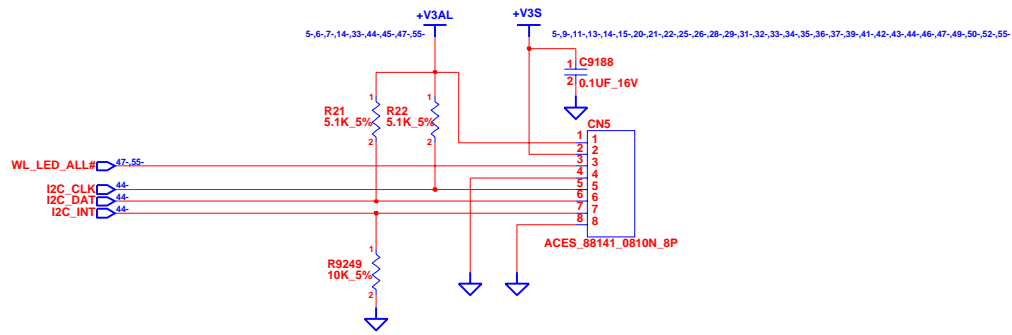


INVENTEC

TITLE			
DD1.0			
SCREW			
SIZE	CODE	DOC. NUMBER	REV
A3	CS	Model No	A02

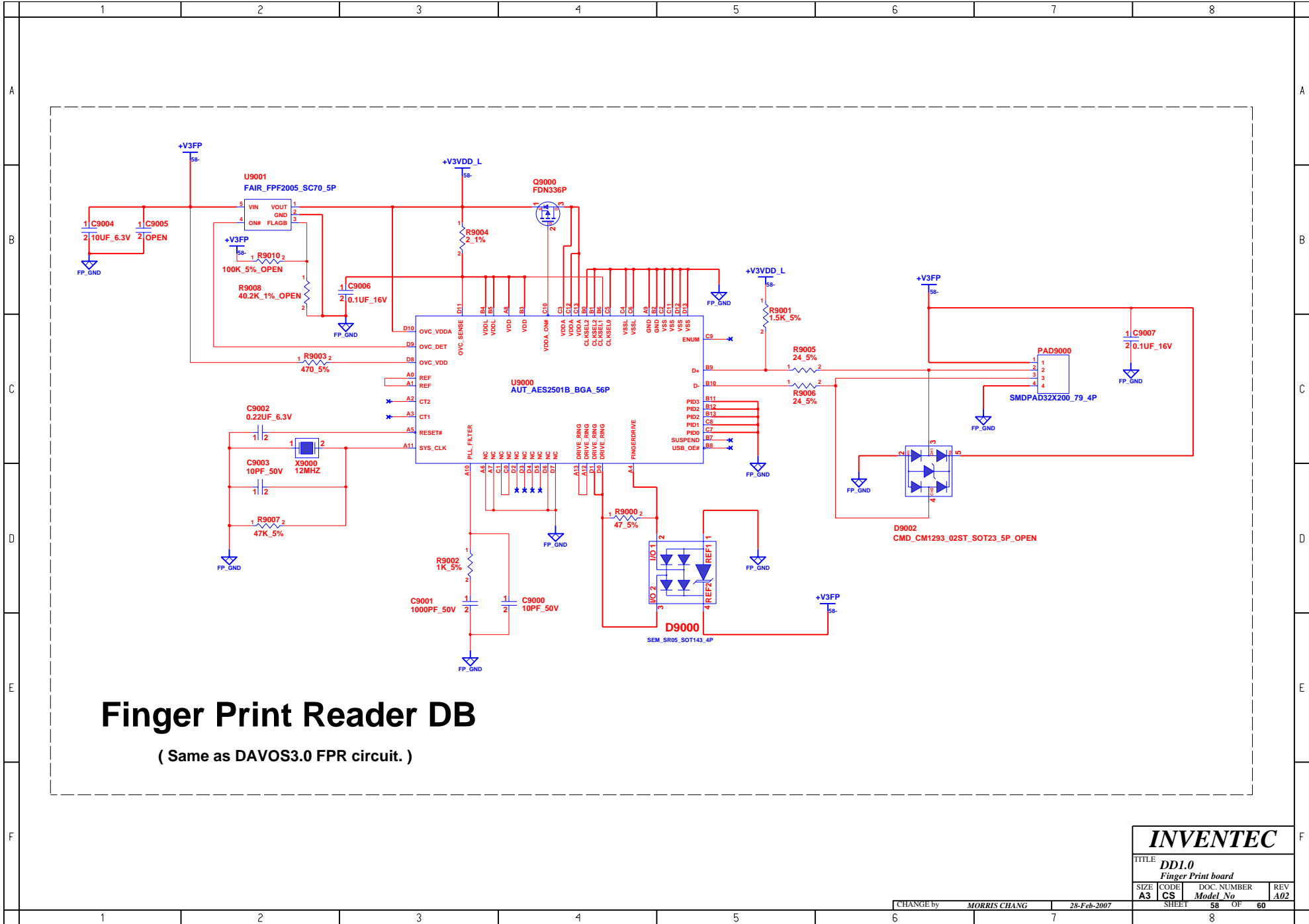
CHANGE by MORRIS CHANG 28-Feb-2007

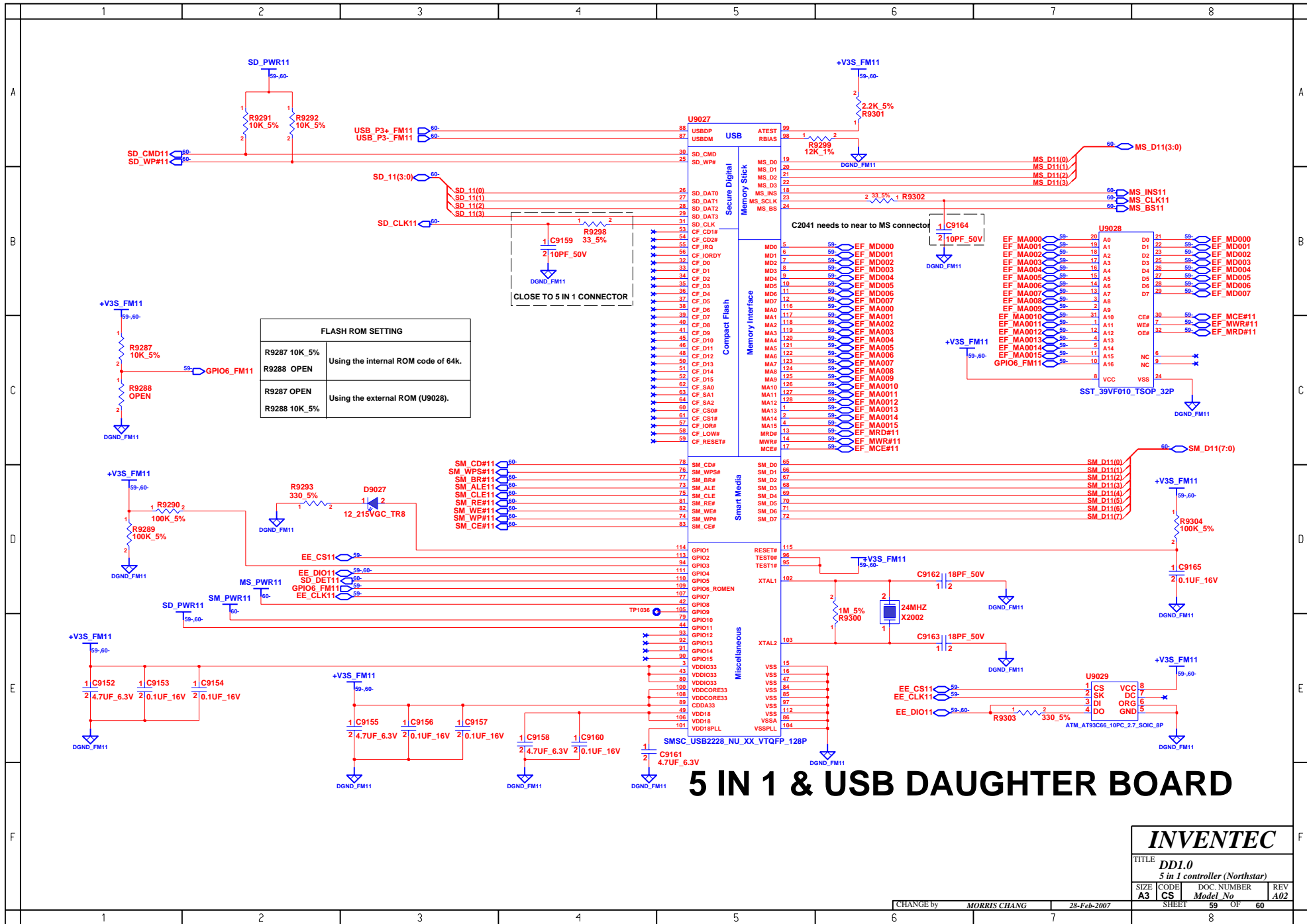
SHEET 56 OF 60



**FF ONLY
SWITCH BOARD CONN**

INVENTEC			
TITLE DD1.0 Switch board Conn			
SIZE A3	CODE CS	DOC. NUMBER Model No	REV A02
CHANGE by MORRIS CHANG		28-Feb-2007	SHEET 57 OF 60

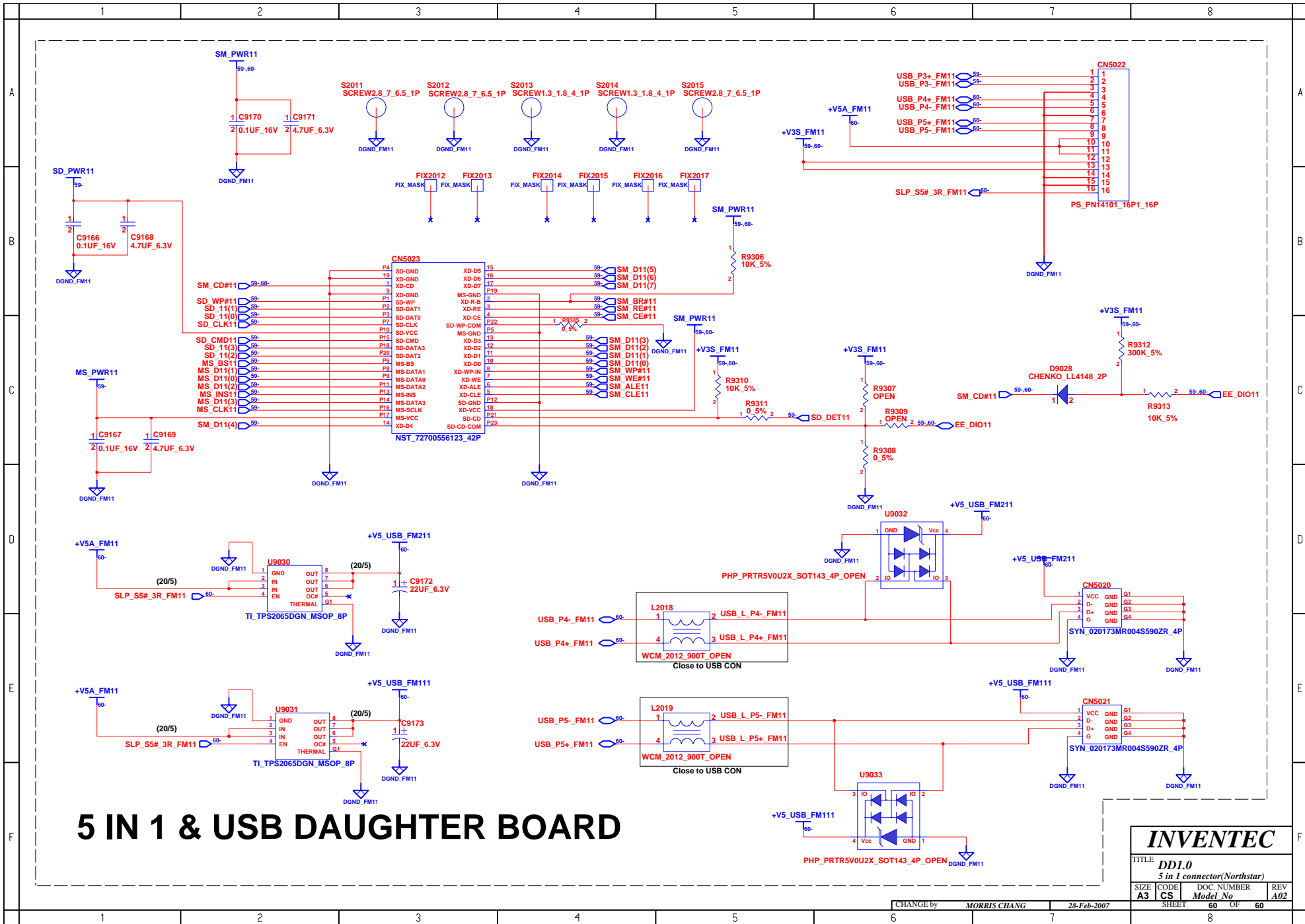




FLASH ROM SETTING	
R9287 10K_5%	Using the internal ROM code of 64k.
R9288 OPEN	
R9287 OPEN	Using the external ROM (U9028).
R9288 10K_5%	

5 IN 1 & USB DAUGHTER BOARD

INVENTEC			
TITLE DDI.0			
5 in 1 controller (Northstar)			
SIZE A3	CODE CS	DOC. NUMBER	REV A02
SHEET 1		59	OF 60



INVENTEC			
TITLE DD1.0 5 in 1 connector(Northstar)			
SIZE A3	CODE CS	DOC. NUMBER Model No	REV A02
CHANGE by <i>MORRIS CHANG</i>		28-Feb-2007	
SHEET 60		OF 60	

5 IN 1 & USB DAUGHTER BOARD