

Table Of Content

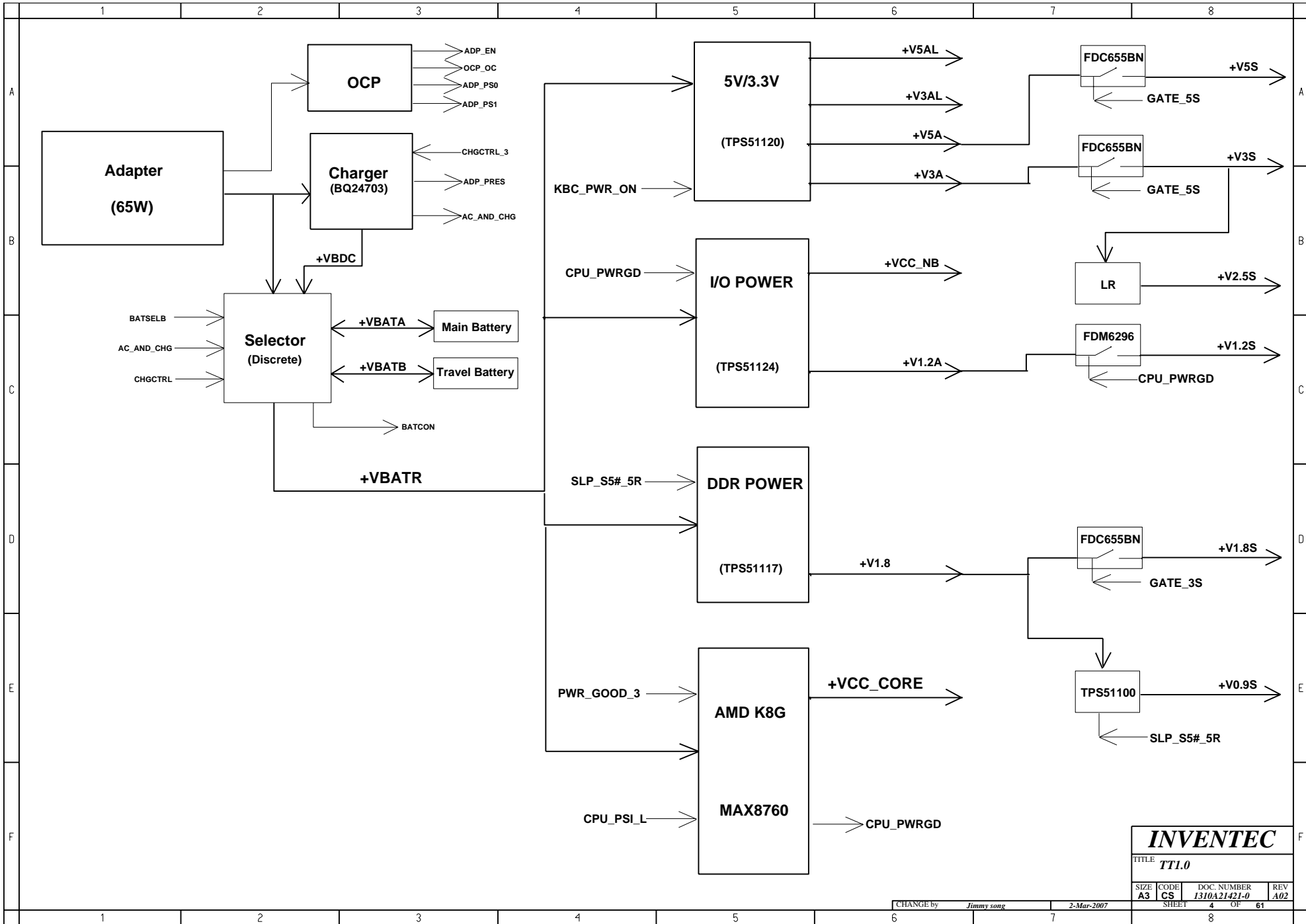
PAGE	PAGE	PAGE
5- DC& Battery Charger	30- SB600-1	55- Finger Print board
6- Selector & Battery CONN	31- SB600-2	56- BLANK
7- +V5A, +V3A & +V1.8S	32- SB600-3	57- ODD extension board
8- OCP	33- SB600-4	58- SW/B connector
9- +VCC_NB & V1.2S	34- KBC	59- SIM board
10- +VCC_CORE	35- SPI & Accelerometer	60- 5 in 1 Second source
11- DDR2 POWER	36- INT. KBC/Touch Pad Devices	61- 5 in 1 Second source (New)
12- Power(Sleep)	37- Super I/O	
13- Power(Sequence)	38- TPM V1.2	
14- Clock Generator	39- HDD CONN (SATA)	
15- AMD CPU-1	40- Fixed ODD CONN (PATA)	
16- AMD CPU-2	41- USB CONN	
17- AMD CPU-3	42- CB/D CONN	
18- AMD CPU-4	43- BLANK	
19- Thermal & Fan Controller	44- 5 IN 1 CONN	
20- RS690T -1	45- MiniCard	
21- RS690T -2	46- LAN Interface	
22- RS690T -3	47- LAN RJ45 CONN	
23- RS690T -4	48- Docking CONN	
24- DDR2-DIMM0	49- Screw	
25- DDR2-DIMM1	50- Finger Print DB	
26- DDR2-DAMPING	51- BlueTooth	
27- VIDEO MEMORY	52- Power/LID Switch & LED	
28- CRT& S-Vedio CONN	53- 5 in 1 Main source	
29- LCD CONN	54- 5 in 1 Main source (Northstar)	

INVENTEC

TITLE *TT1.0*

SIZE	CODE	DOC. NUMBER	REV
A3	CS	1310A21421-0	A02

CHANGE by *Jimmy song* 2-Mar-2007 SHEET 2 OF 61



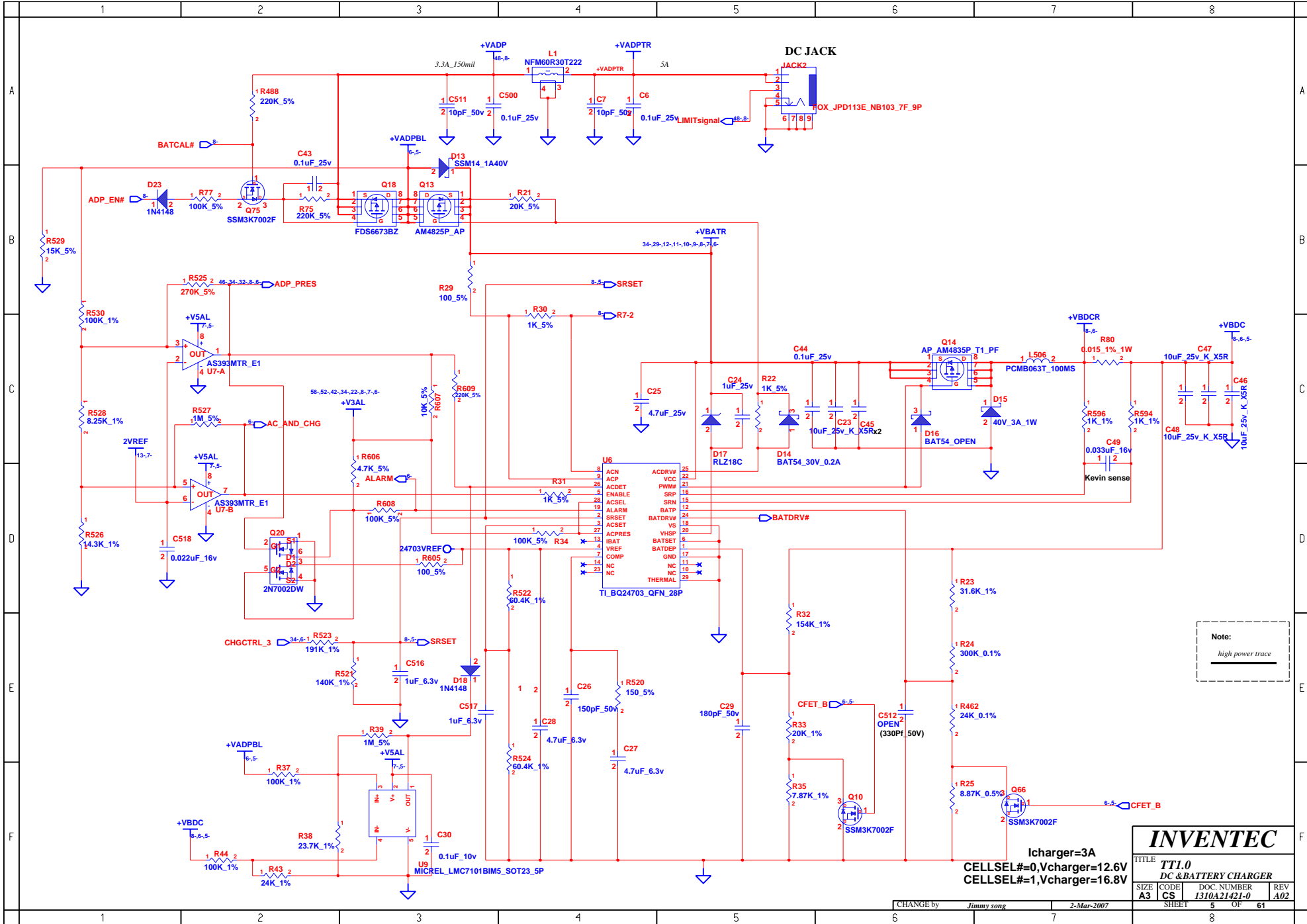
INVENTEC

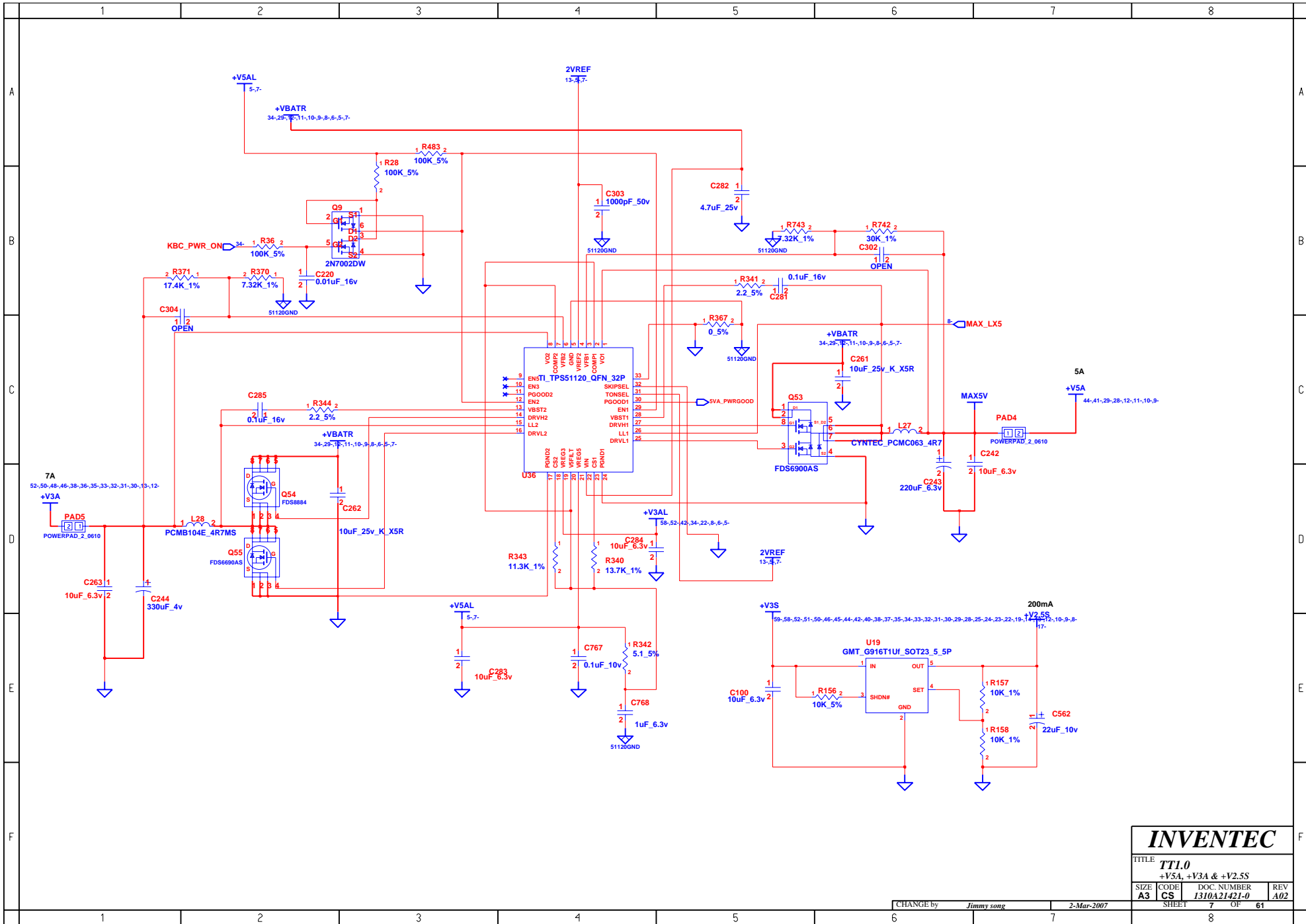
TITLE *TT1.0*

SIZE	CODE	DOC. NUMBER	REV
A3	CS	1310A21421-0	A02

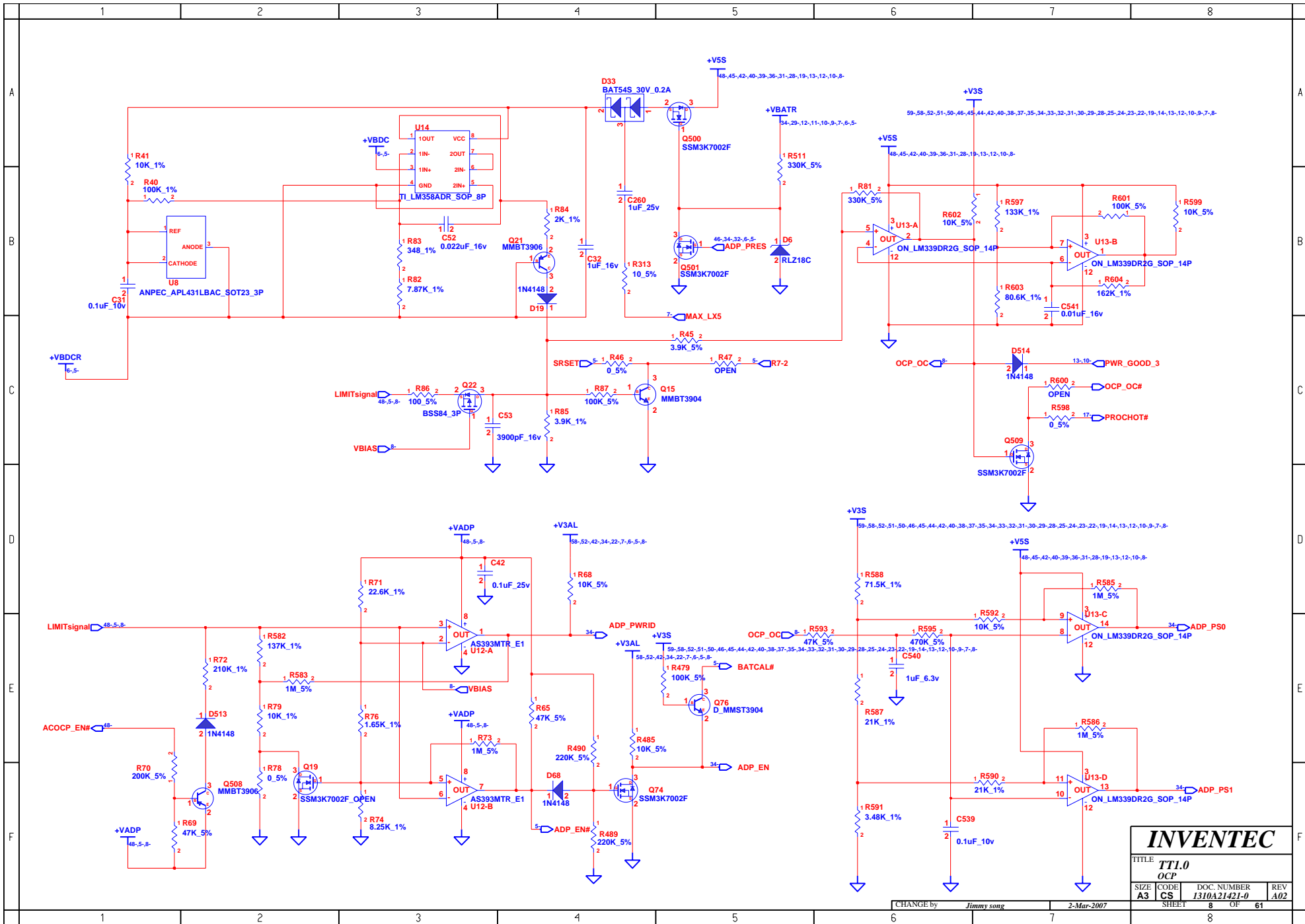
CHANGE by *Jimmy song* 2-Mar-2007

SHEET 4 OF 61

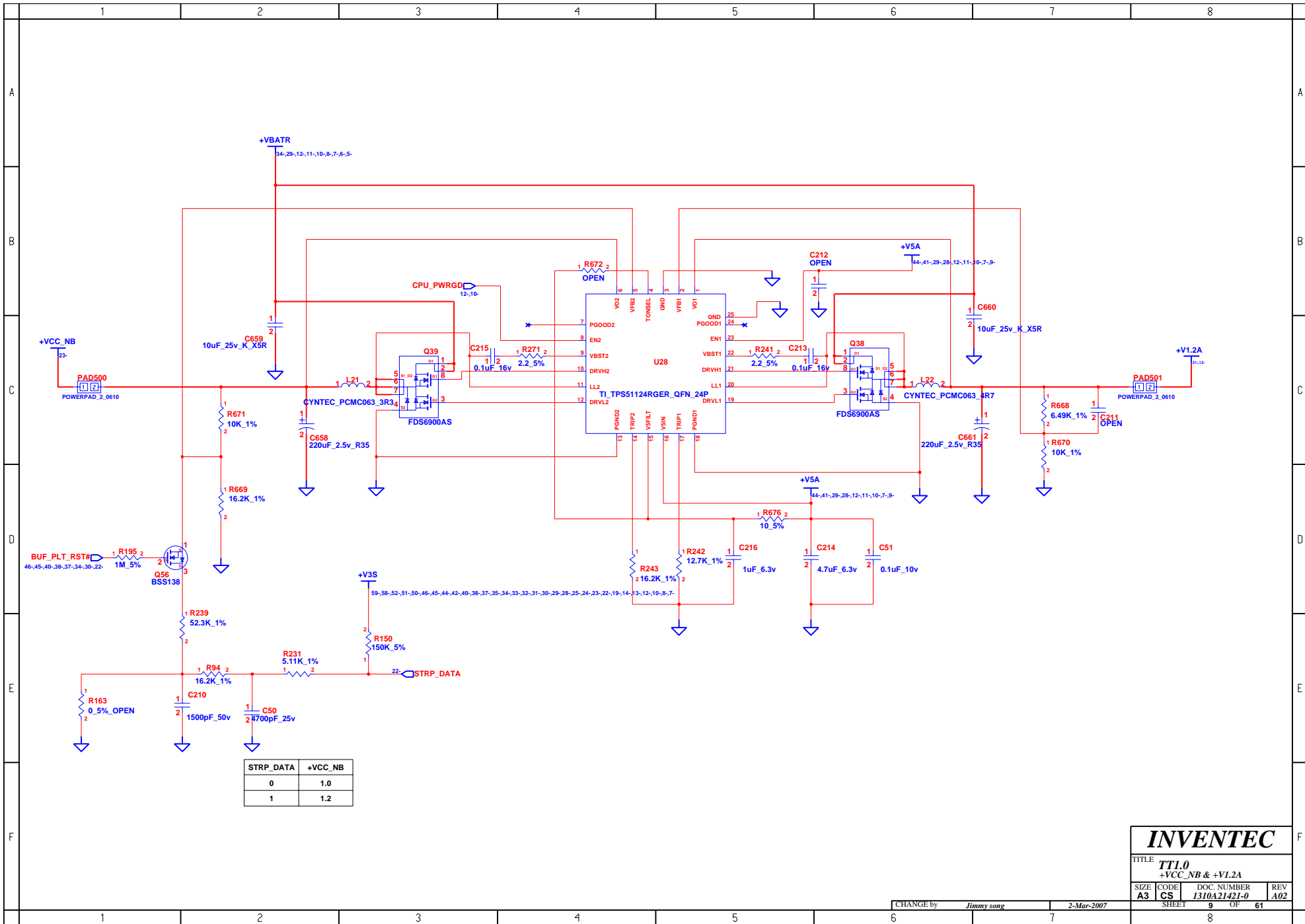




INVENTEC			
TITLE TTL.0			
+V5A, +V3A & +V2.5S			
SIZE A3	CODE CS	DOC. NUMBER I310A21421-0	REV A02
CHANGE by <i>Jimmy song</i>		2-Mar-2007	
SHEET 7		OF 61	



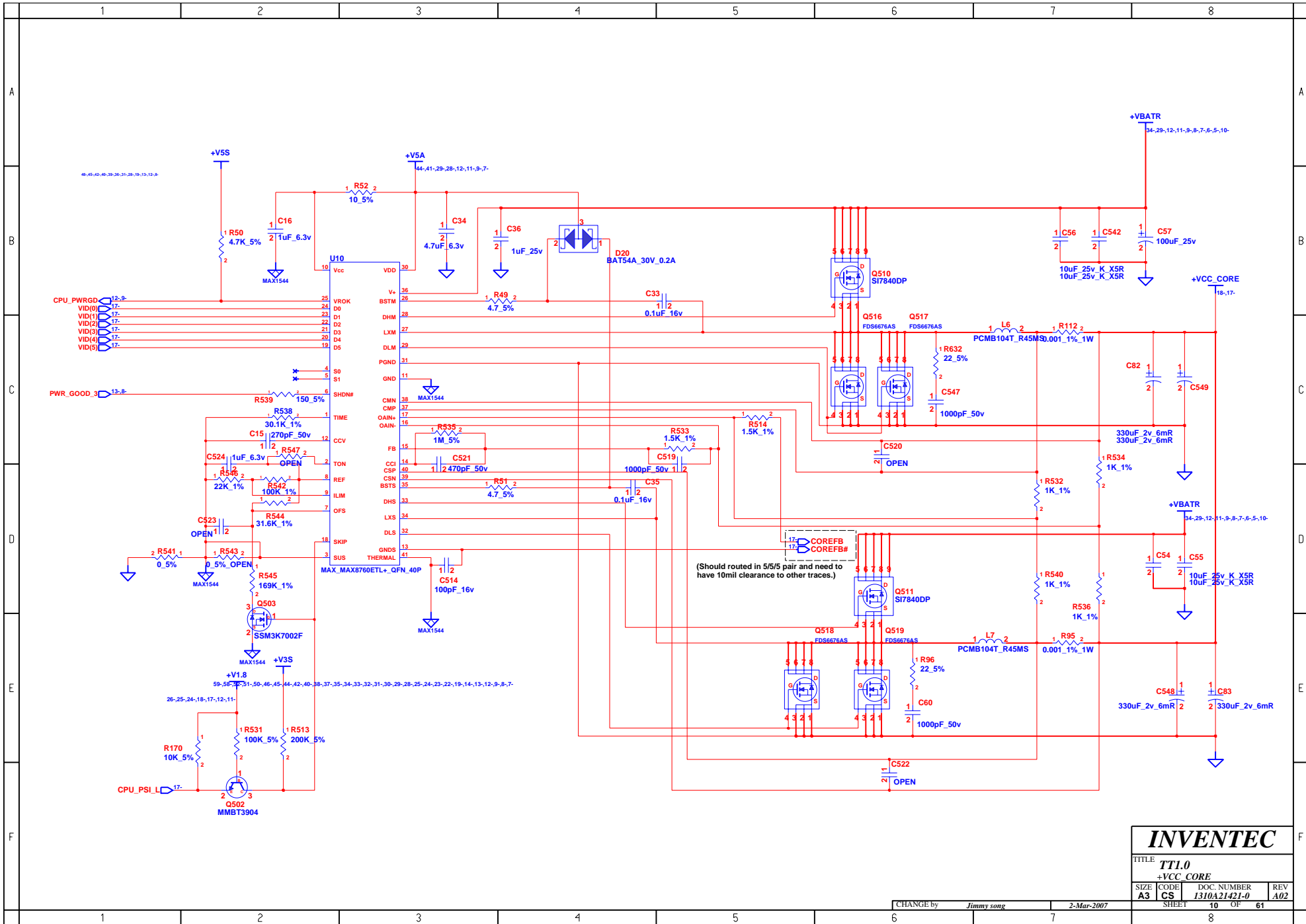
INVENTEC			
TITLE TTI.0			
OCP			
SIZE	CODE	DOC. NUMBER	REV
A3	CS	1310A21421-0	A02
CHANGE by		2-Mar-2007	
SHEET		8 OF 61	



INVENTEC

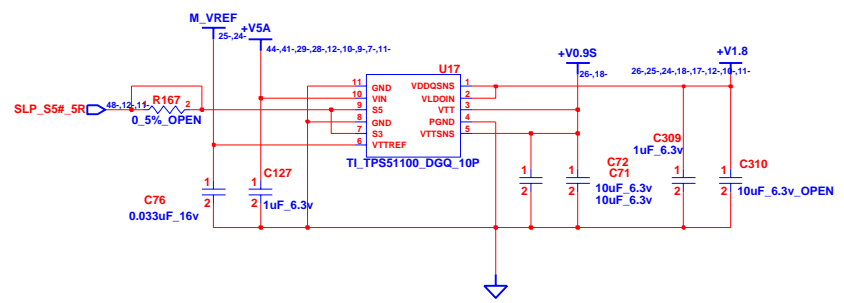
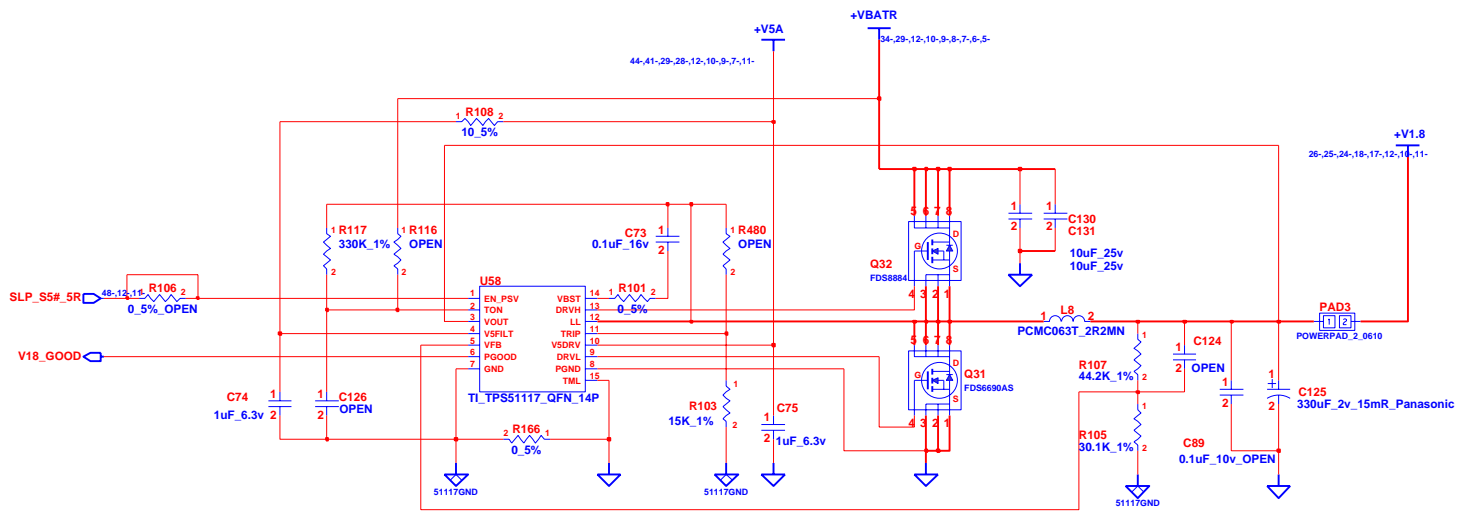
TITLE **TTL0**
+VCC_NB & +V1.2A

SIZE A3	CODE CS	DOC. NUMBER I310A21421-0	REV A02
CHANGE by <i>Jimmy song</i>		2-Mar-2007	
SHEET 9		OF 61	



INVENTEC

TITLE			
TTL0			
+VCC CORE			
SIZE	CODE	DOC. NUMBER	REV
A3	CS	I310A21421-0	A02

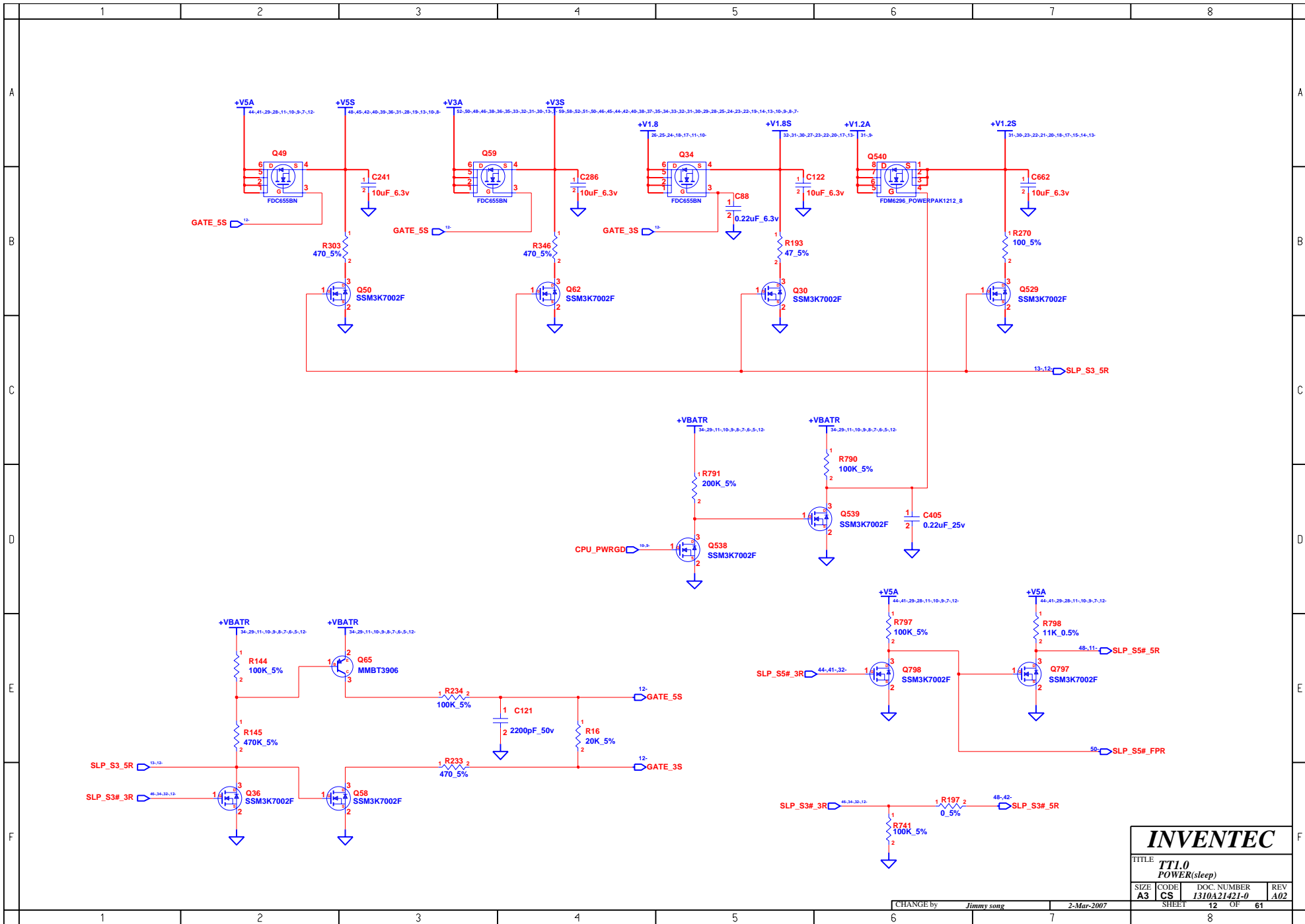


NOTE: DDR2 REGULATOR

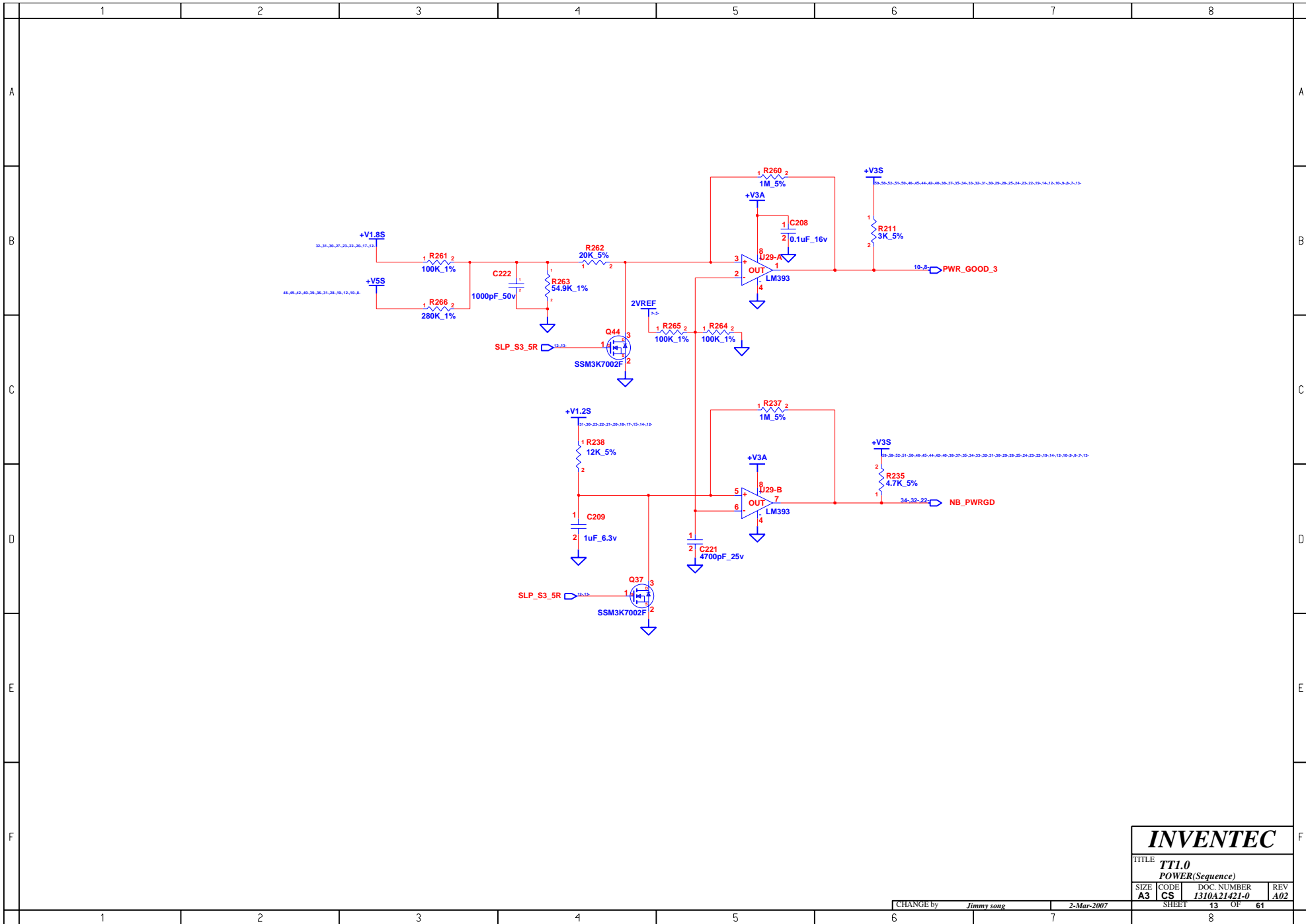
INVENTEC

TITLE			
TTL0			
DDR2 POWER			
SIZE	CODE	DOC. NUMBER	REV
A3	CS	I310A21421-0	A02
CHANGE by		SHEET	
Jimmy song		11 OF 61	

2-Mar-2007

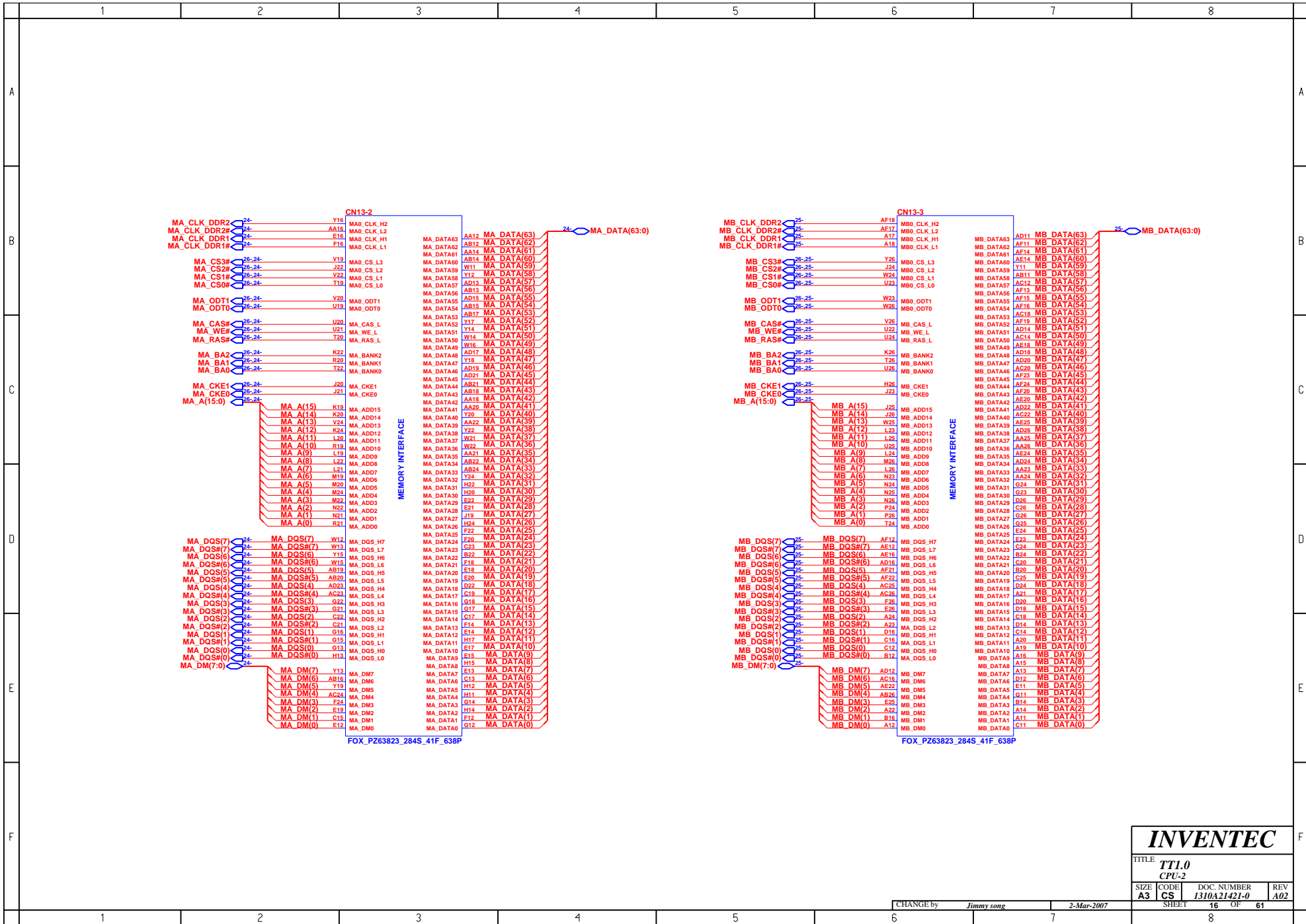


INVENTEC			
TITLE TTL0 POWER(sleep)			
SIZE	CODE	DOC. NUMBER	REV
A3	CS	I310A21421-0	A02
CHANGE by		SHEET	
Jimmy song		12 OF 61	
2-Mar-2007			



INVENTEC

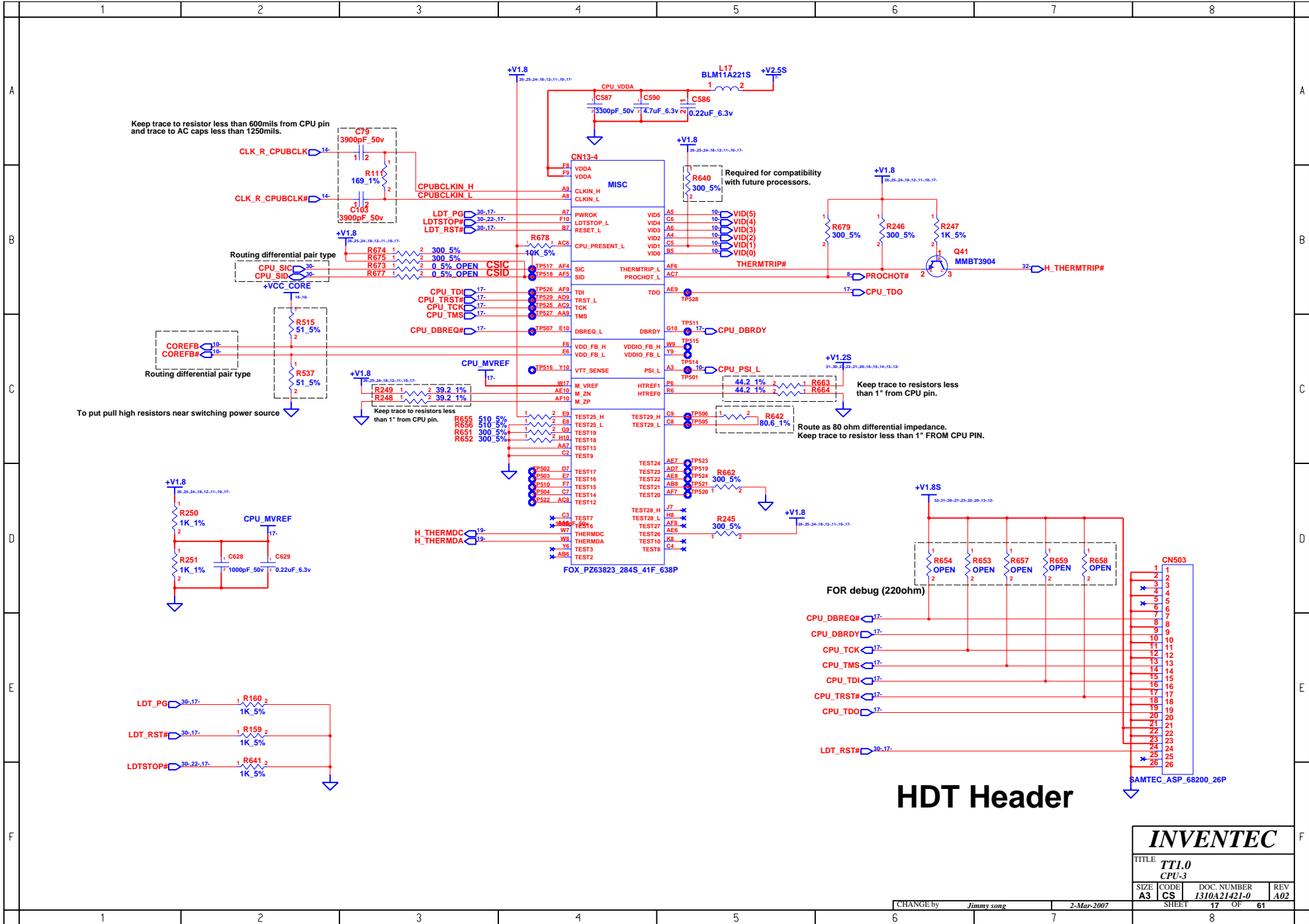
TITLE			
TTI.0			
POWER(Sequence)			
SIZE	CODE	DOC. NUMBER	REV
A3	CS	1310A21421-0	A02



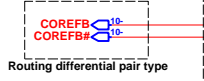
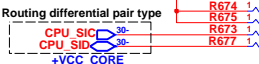
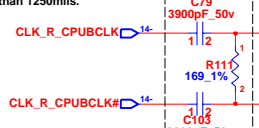
FOX_PZ63823_284S_41F_638P

FOX_PZ63823_284S_41F_638P

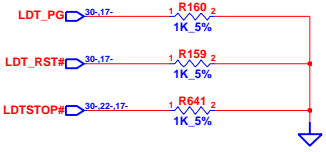
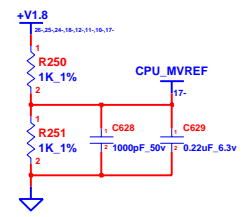
INVENTEC			
TITLE TTI.0 CPU-2			
SIZE A3	CODE CS	DOC. NUMBER 1310A21421-0	REV A02
CHANGE by Jimmy song		2-Mar-2007	
SHEET 16		OF 61	



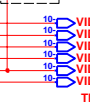
Keep trace to resistor less than 600mils from CPU pin and trace to AC caps less than 1250mils.



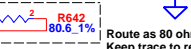
To put pull high resistors near switching power source



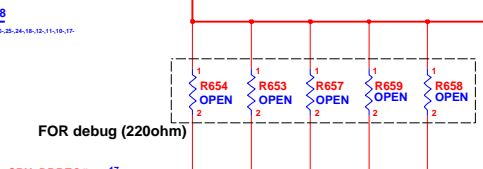
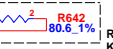
Required for compatibility with future processors.



Keep trace to resistors less than 1" from CPU pin.

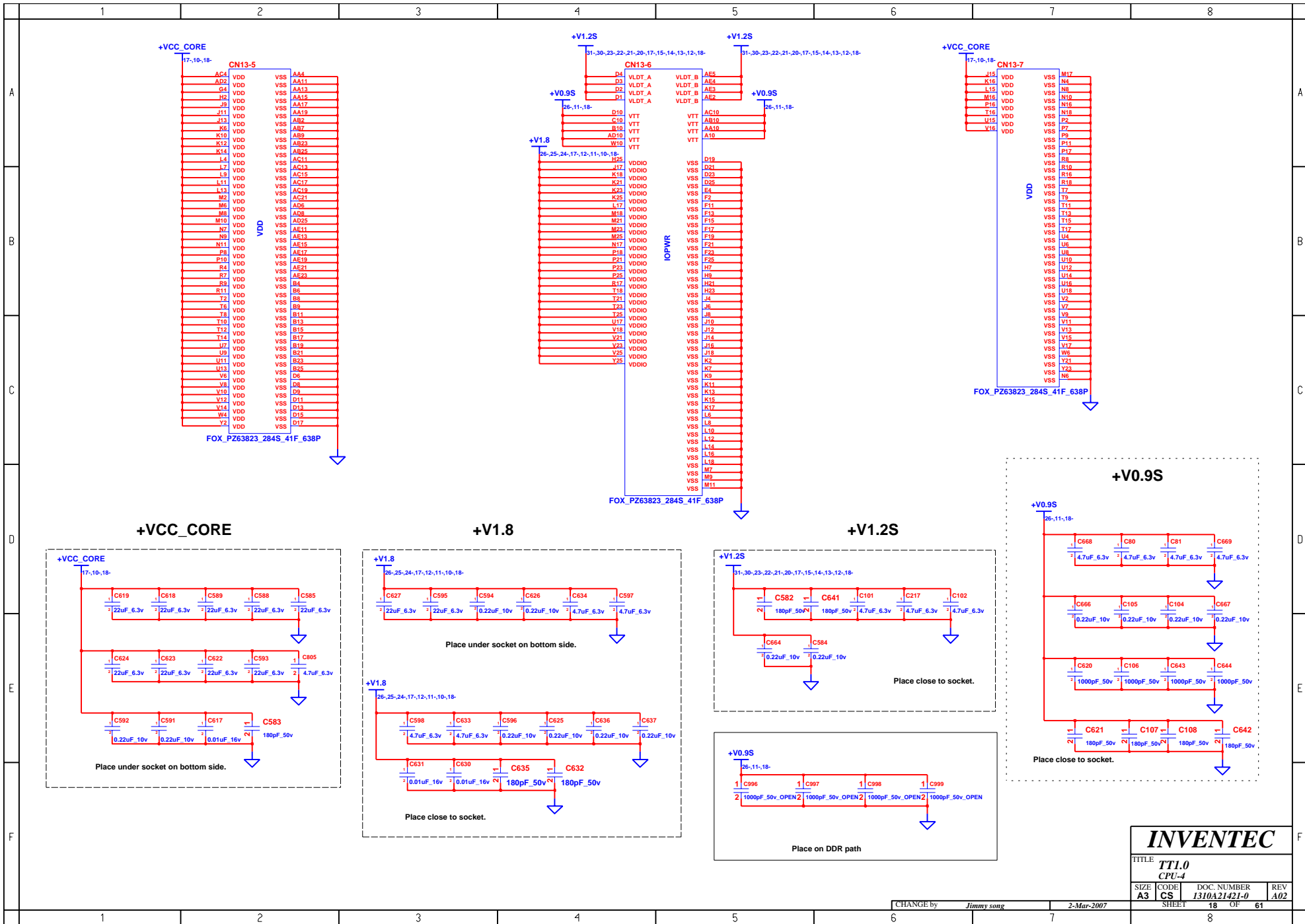


Route as 80 ohm differential impedance. Keep trace to resistor less than 1" FROM CPU PIN.



HDT Header

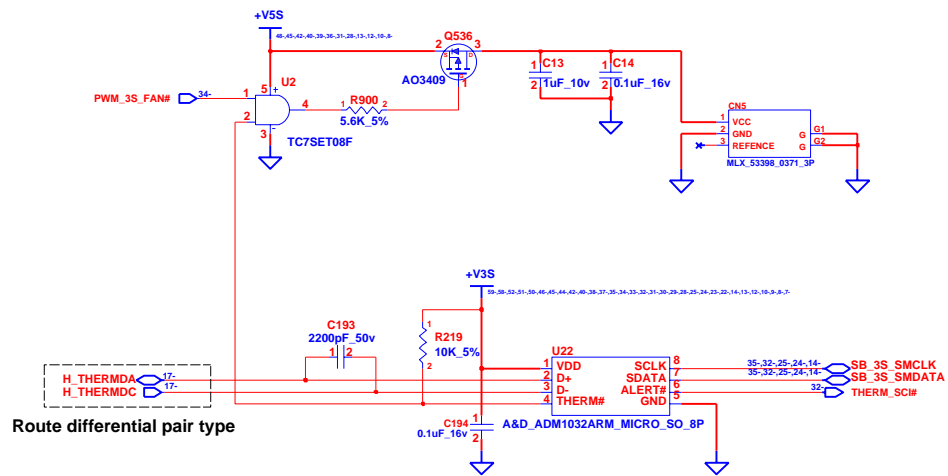
INVENTEC			
TITLE TTI.0 CPU-3			
SIZE	CODE	DOC. NUMBER	REV
A3	CS	1310A21421-0	A02
CHANGE by Jimmy song		2-Mar-2007	
		SHEET 17 OF 61	



INVENTEC

TITLE			
TT1.0			
CPU-4			
SIZE	CODE	DOC. NUMBER	REV
A3	CS	1310A21421-0	A02
SHEET			OF
18			61

CHANGE by Jimmy song 2-Mar-2007



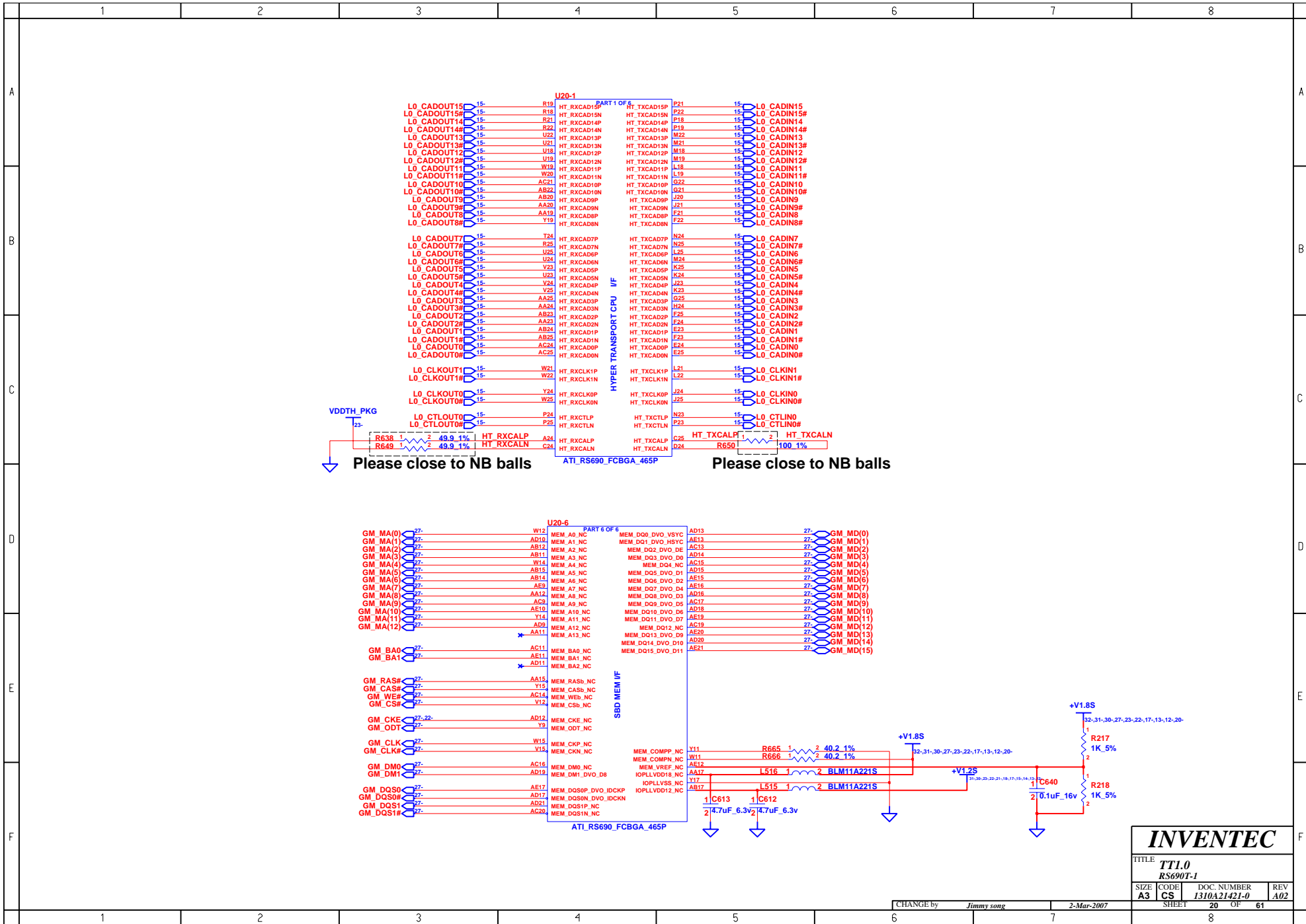
LAYOUT Note: Put the thermal sensor close to CPU.

INVENTEC

TITLE		
TT1.0		
THERMAL&FAN CONTROLLER		
SIZE	CODE	DOC. NUMBER
A3	CS	1310A21421-0
REV		REV
A02		A02

CHANGE by Jimmy song 2-Mar-2007

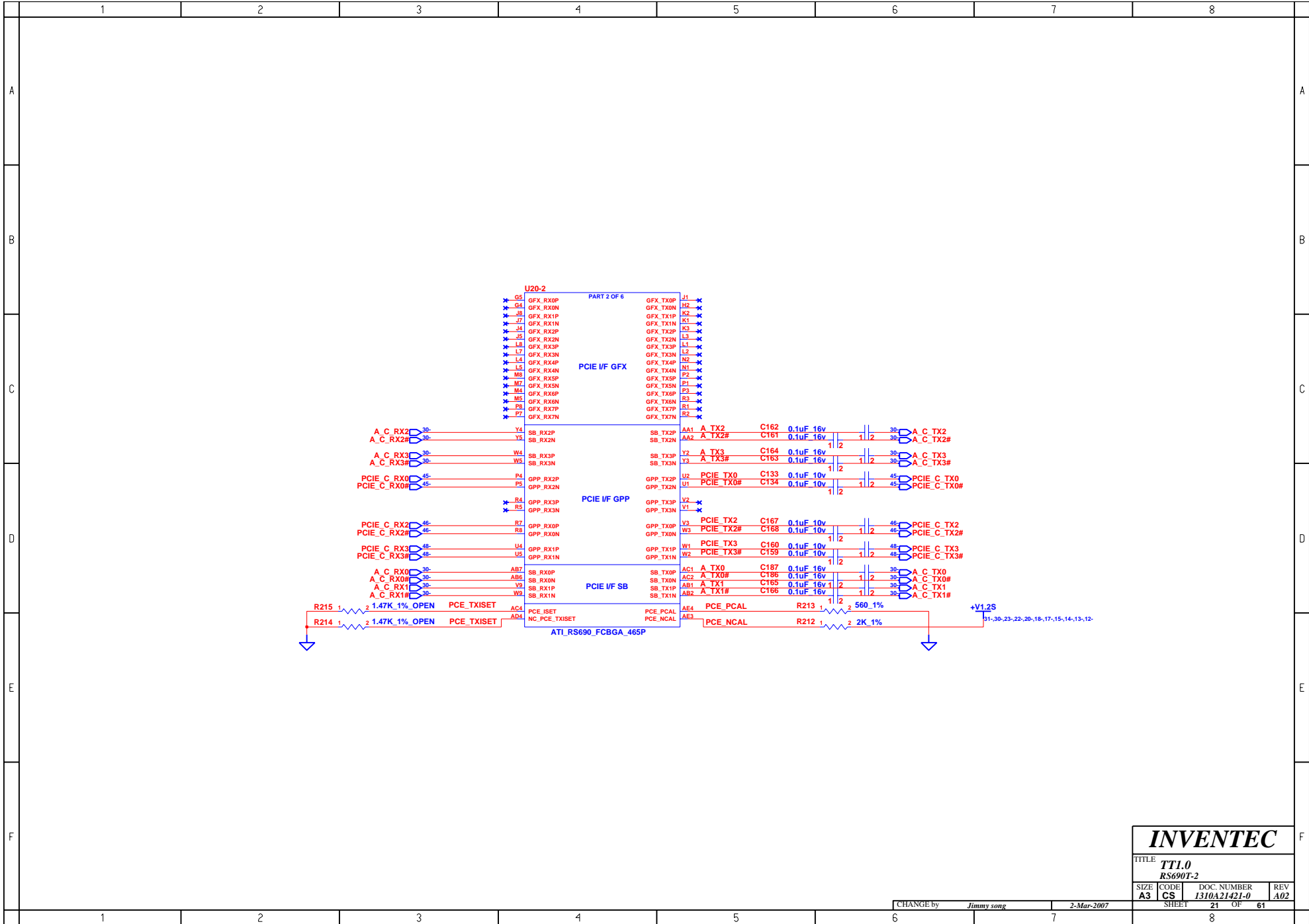
SHEET 19 OF 61



Please close to NB balls

Please close to NB balls

INVENTEC			
TITLE TT1.0 RS690T-1			
SIZE A3	CODE CS	DOC. NUMBER 1310A21421-0	REV A02
CHANGE by <i>Jimmy song</i>		2-Mar-2007	
SHEET 20		OF 61	

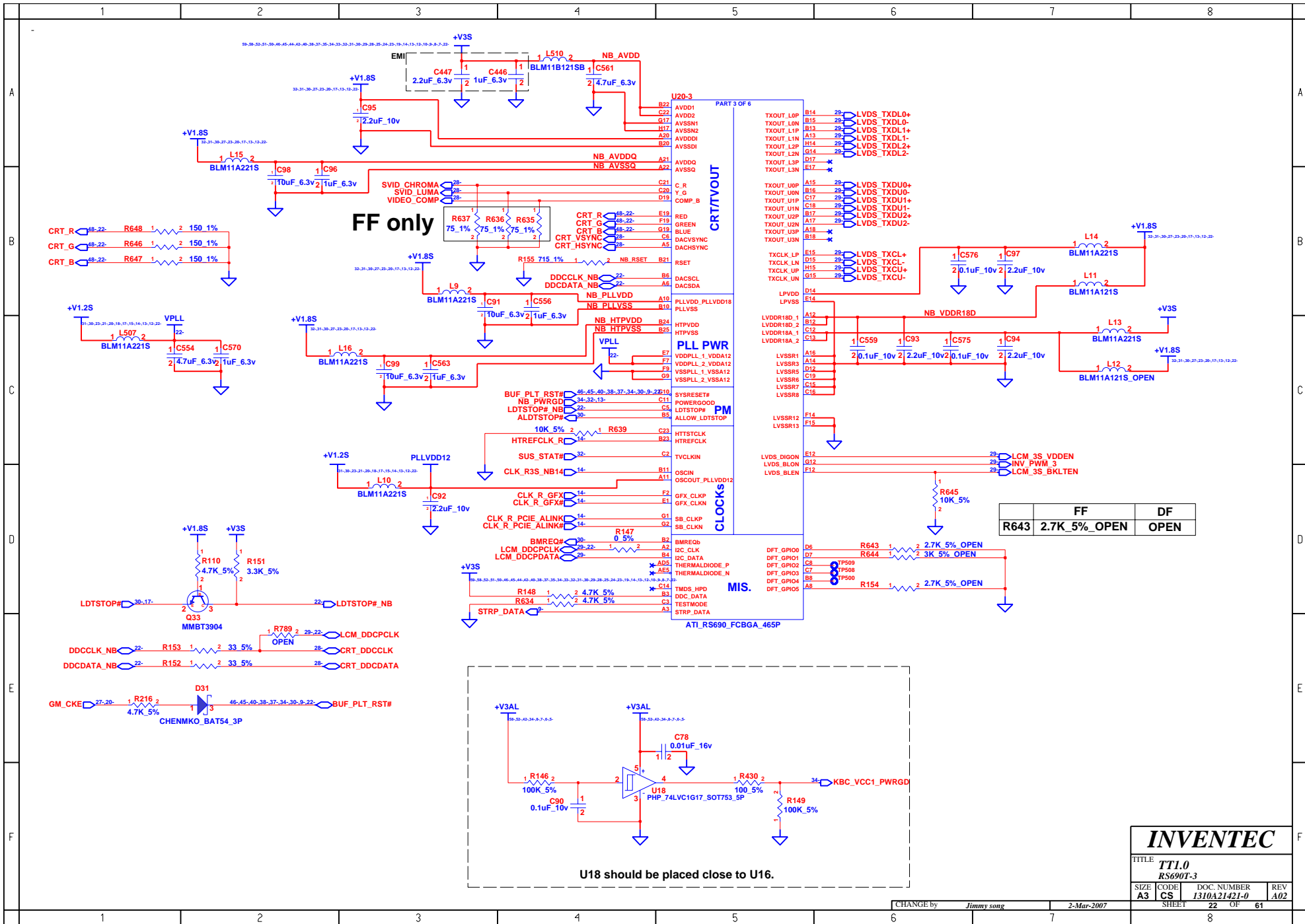


INVENTEC

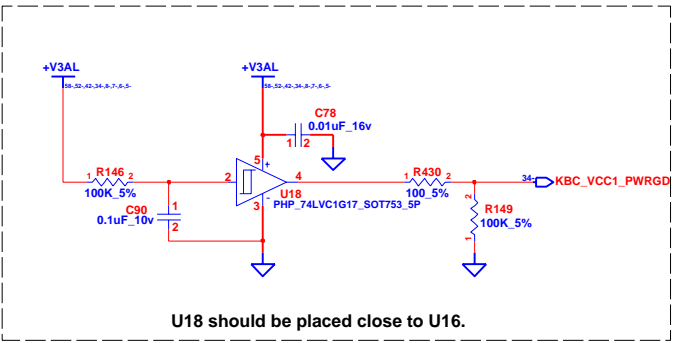
TITLE
TTL0
RS690T-2

SIZE CODE DOC NUMBER REV
A3 CS 1310A21421-0 A02

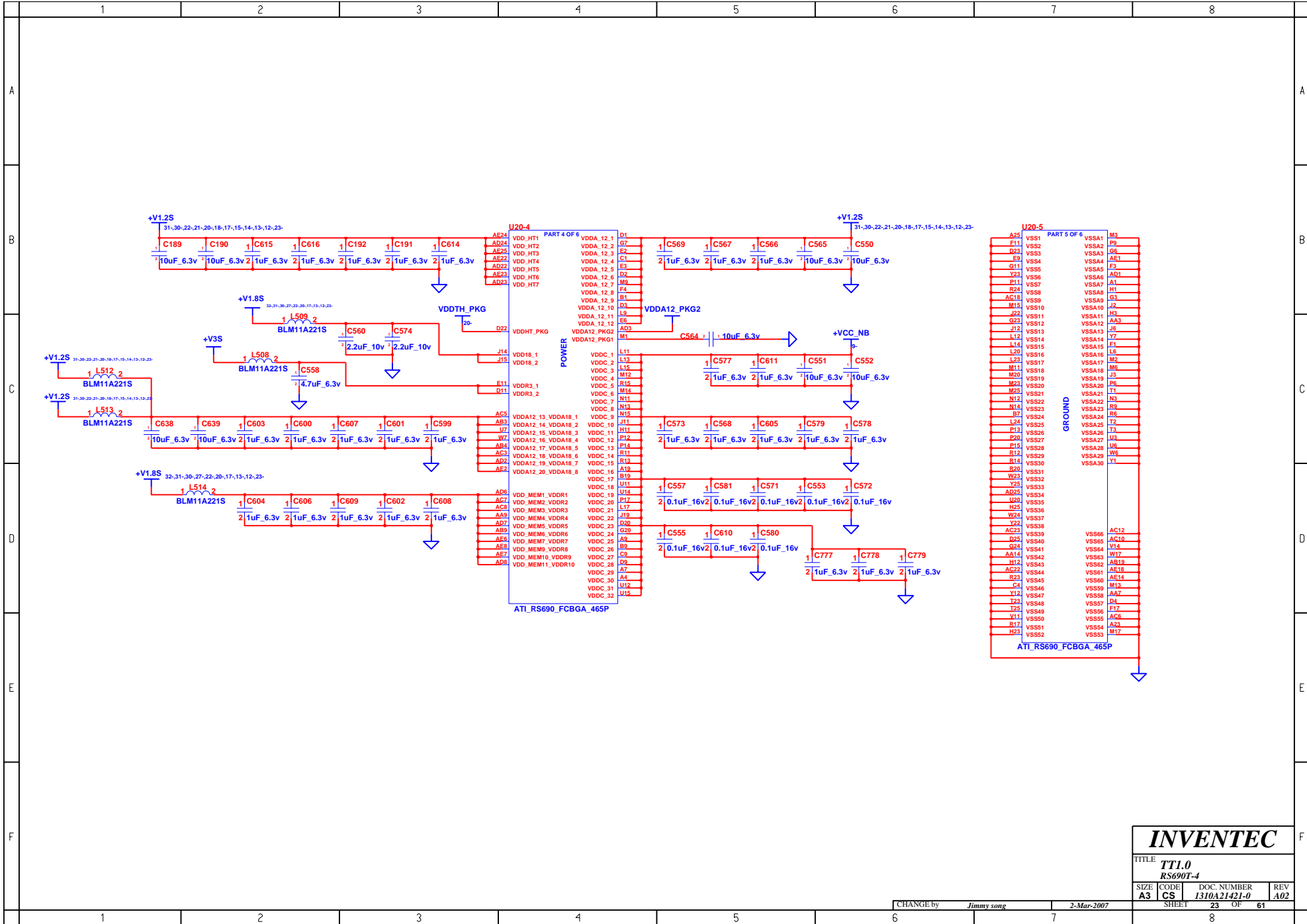
SHEET 21 OF 61



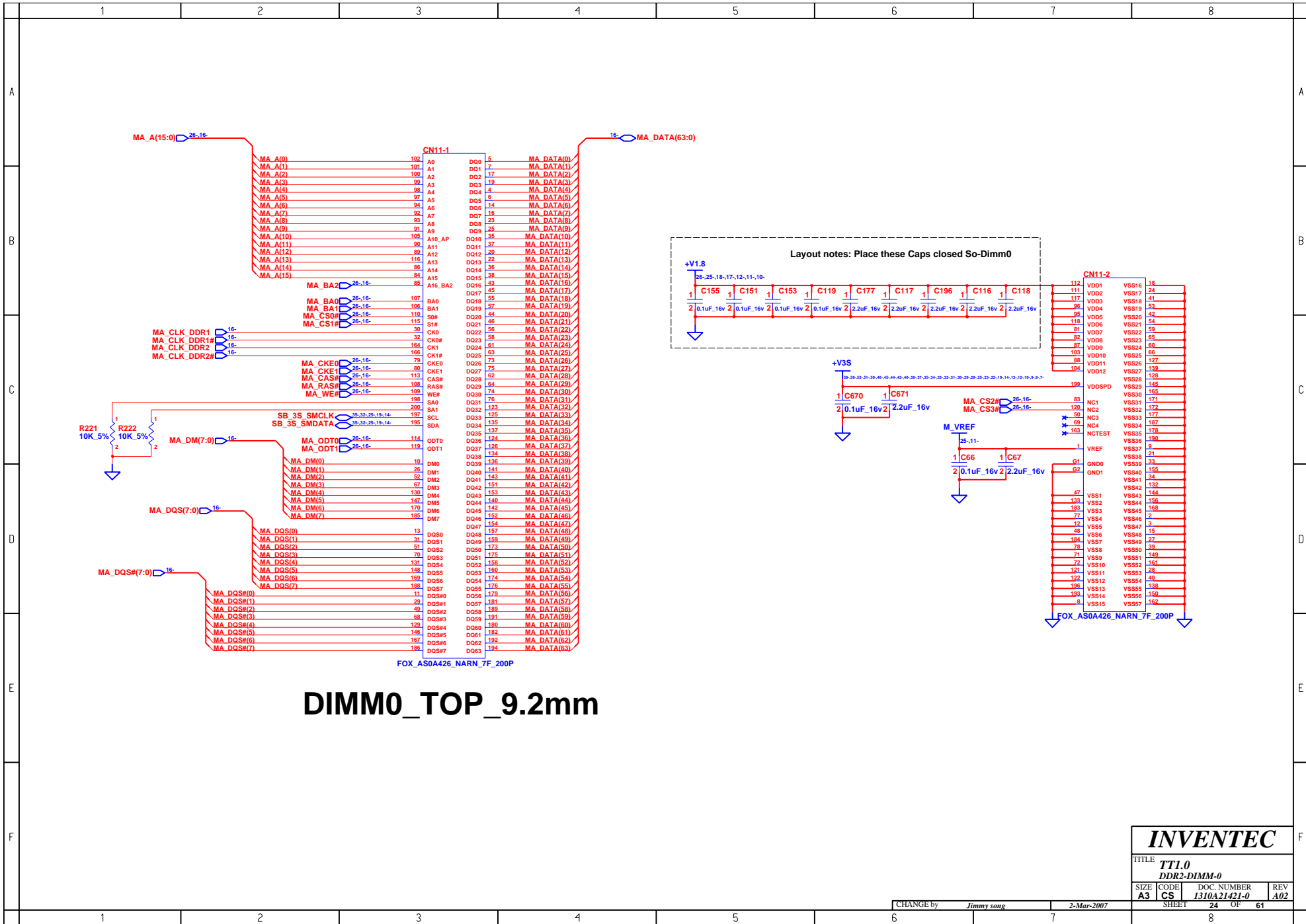
	FF	DF
R643	2.7K 5% OPEN	OPEN



INVENTEC			
TITLE TT1.0 RS690T-3			
SIZE A3	CODE CS	DOC. NUMBER I310A21421-0	REV A02
CHANGE by <i>Jimmy song</i>		2-Mar-2007	
SHEET 22		OF 61	



INVENTEC			
TITLE TT1.0 RS690T-4			
SIZE A3	CODE CS	DOC. NUMBER 1310A21421-0	REV A02
CHANGE by <i>Jimmy song</i>		2-Mar-2007	
SHEET 23		OF 61	

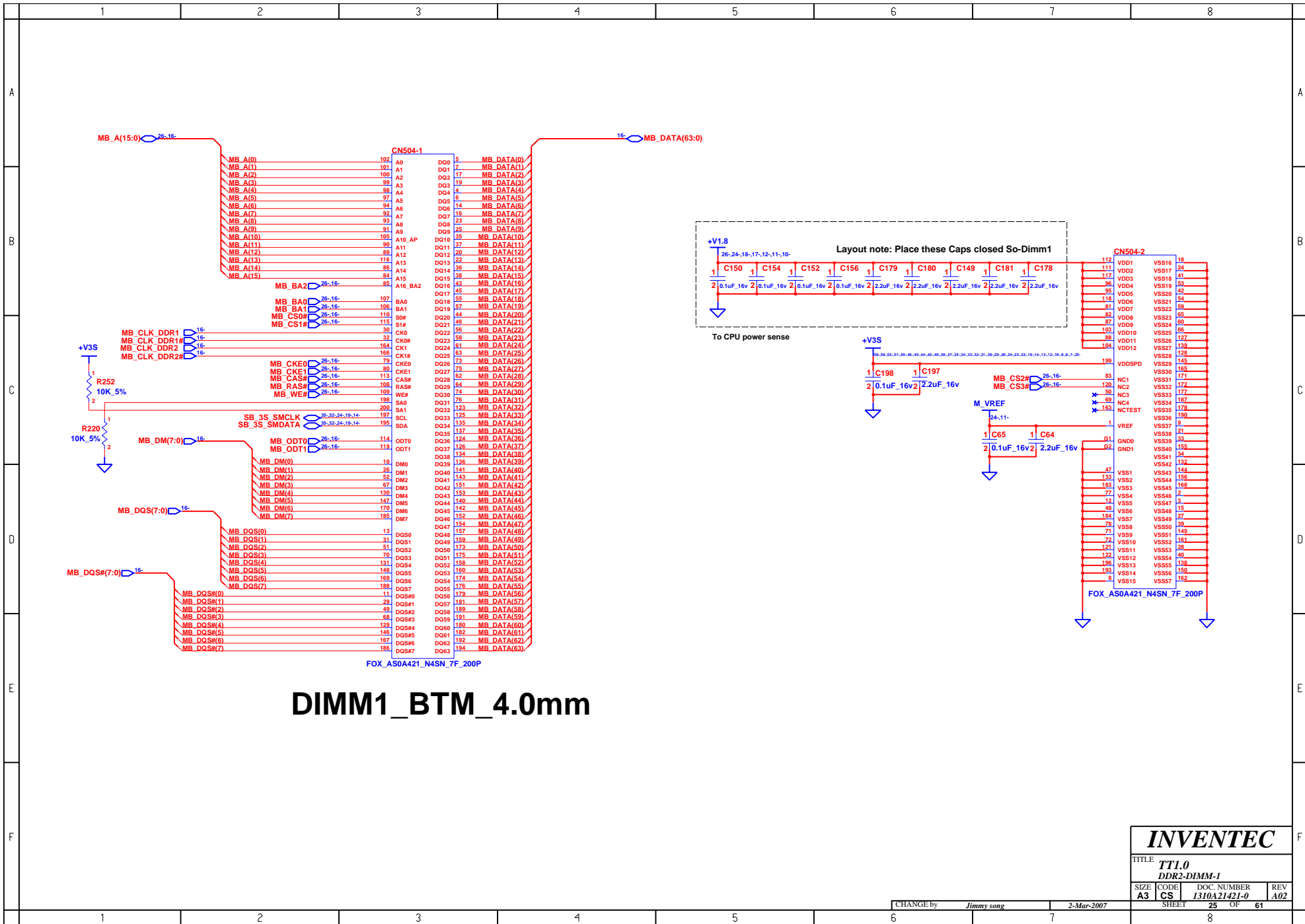


DIMM0_TOP_9.2mm

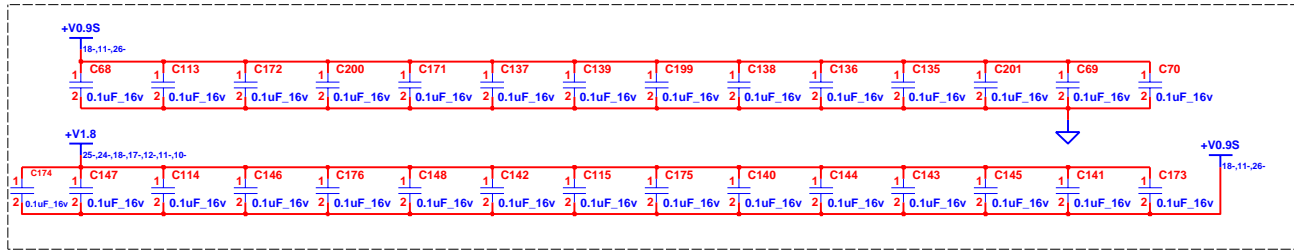
INVENTEC

TITLE **TT1.0**
DDR2-DIMM-0

SIZE A3	CODE CS	DOC. NUMBER 1310A21421-0	REV A02
CHANGE by <i>Jimmy song</i>		2-Mar-2007	
SHEET 24		OF 61	

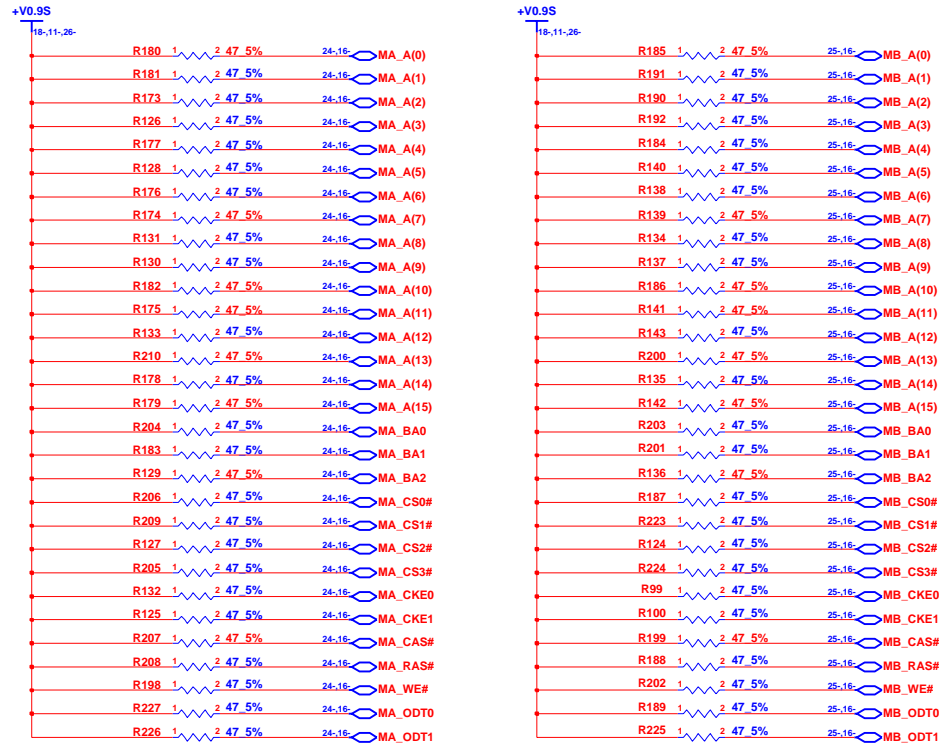


INVENTEC			
TITLE TT1.0 DDR2-DIMM-1			
SIZE A3	CODE CS	DOC. NUMBER 1310A21421-0	REV A02
CHANGE by <i>Jimmy song</i>		2-Mar-2007	
SHEET 25		OF 61	



To CPU power sense

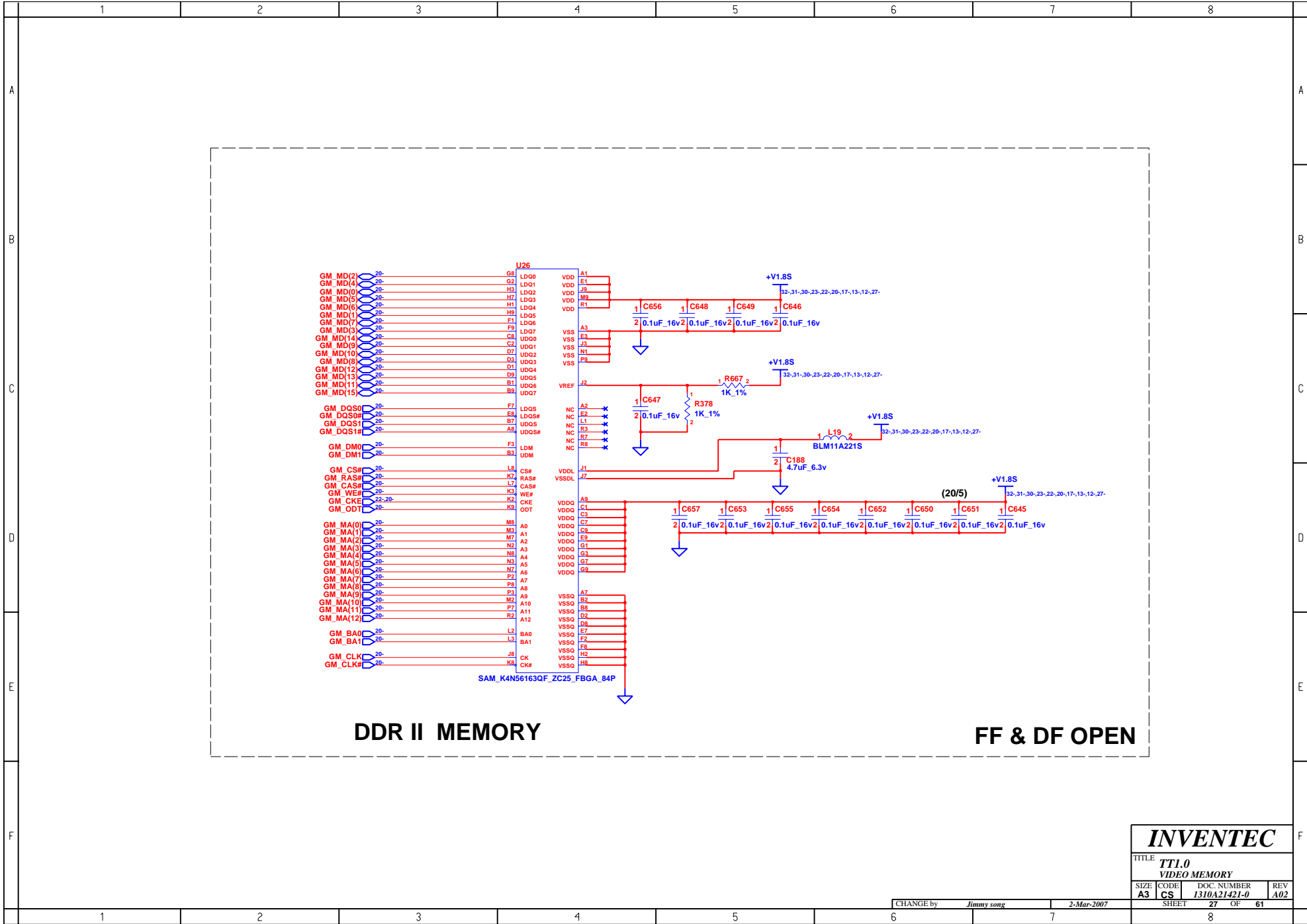
Place CAPs close to DIMM

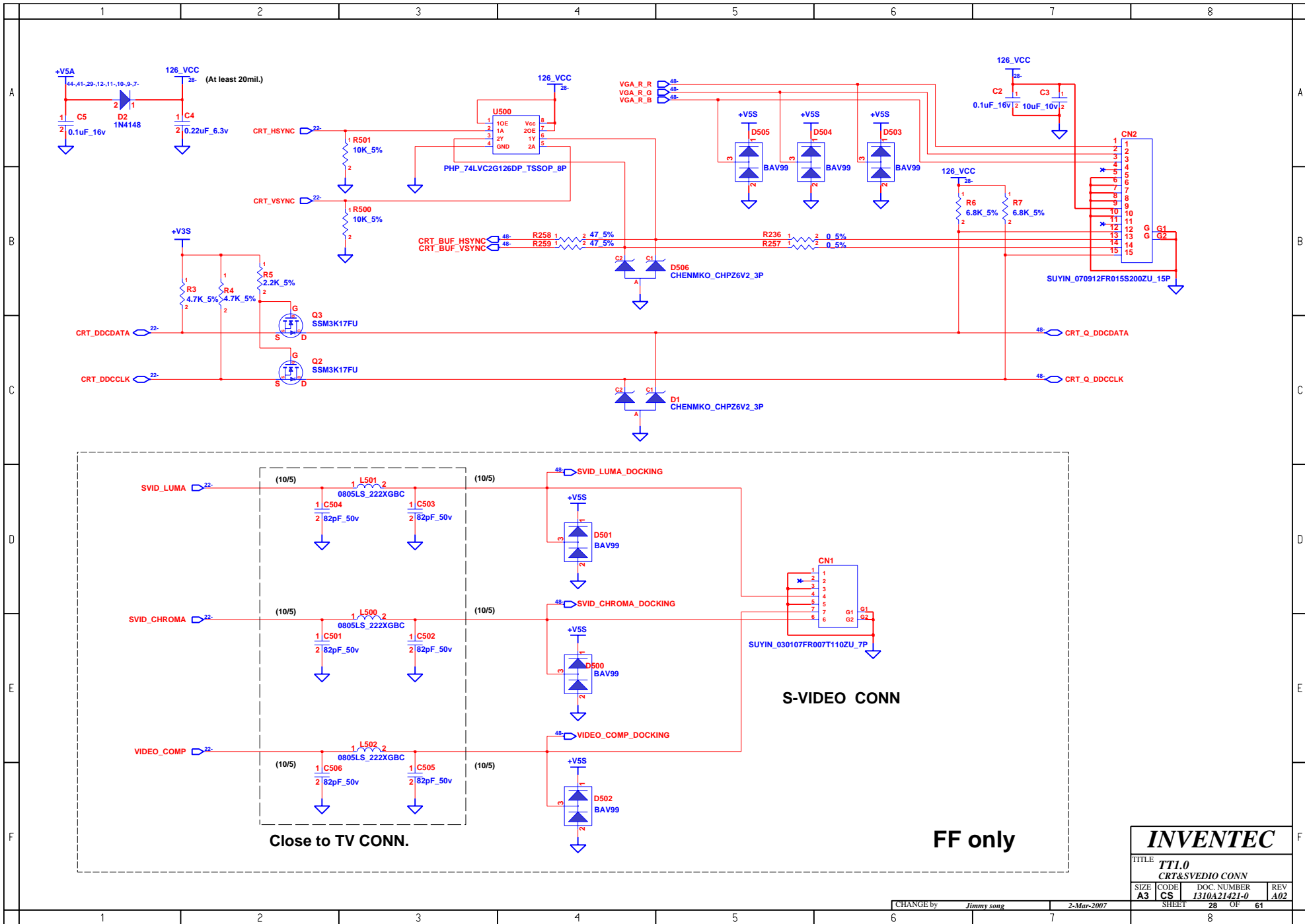


INVENTEC

TITLE			
TTL0			
DDR2-DAMPING			
SIZE	CODE	DOC. NUMBER	REV
A3	CS	I310A21421-0	A02
SHEET		OF	
26		61	

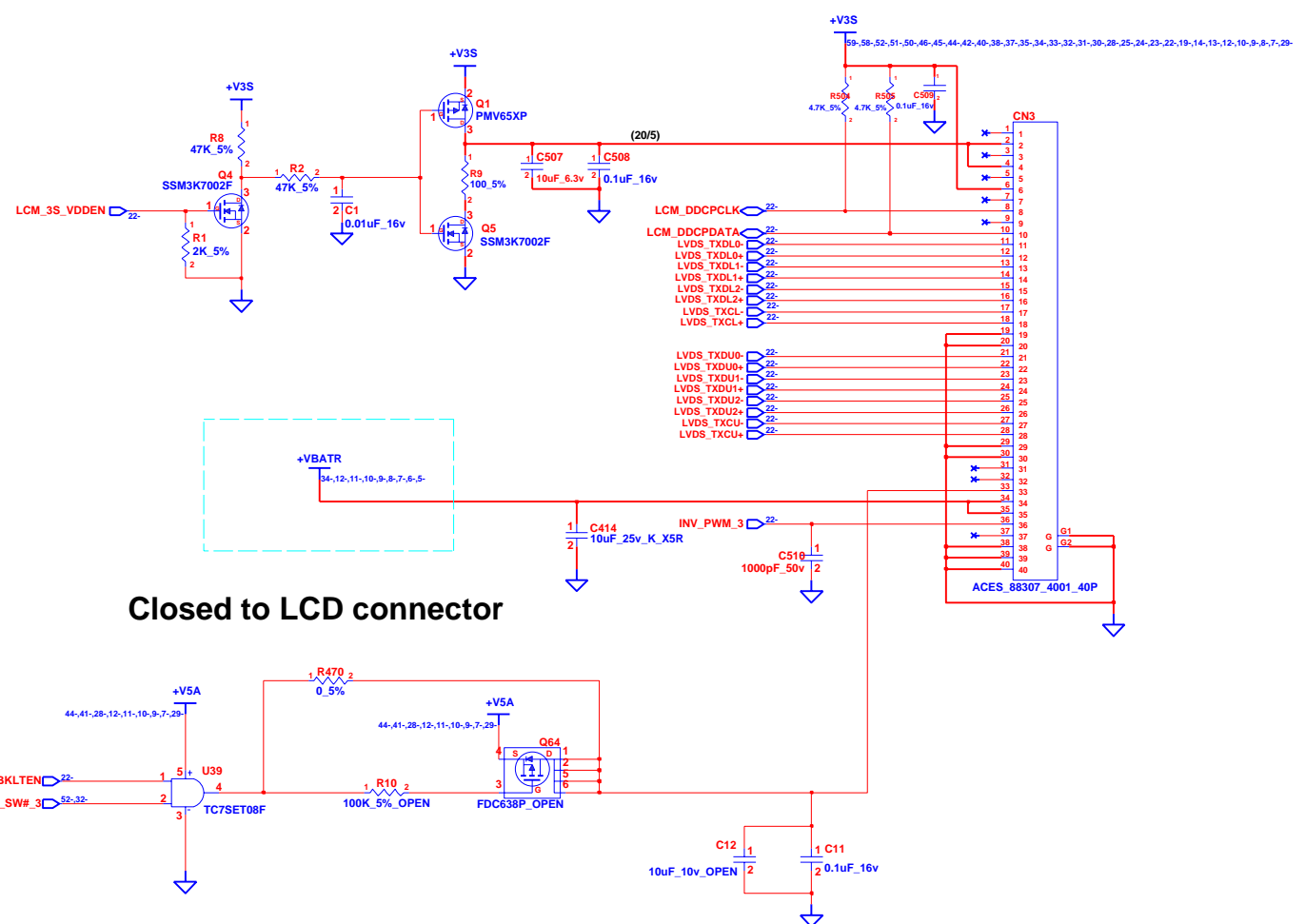
CHANGE by Jimmy song 2-Mar-2007





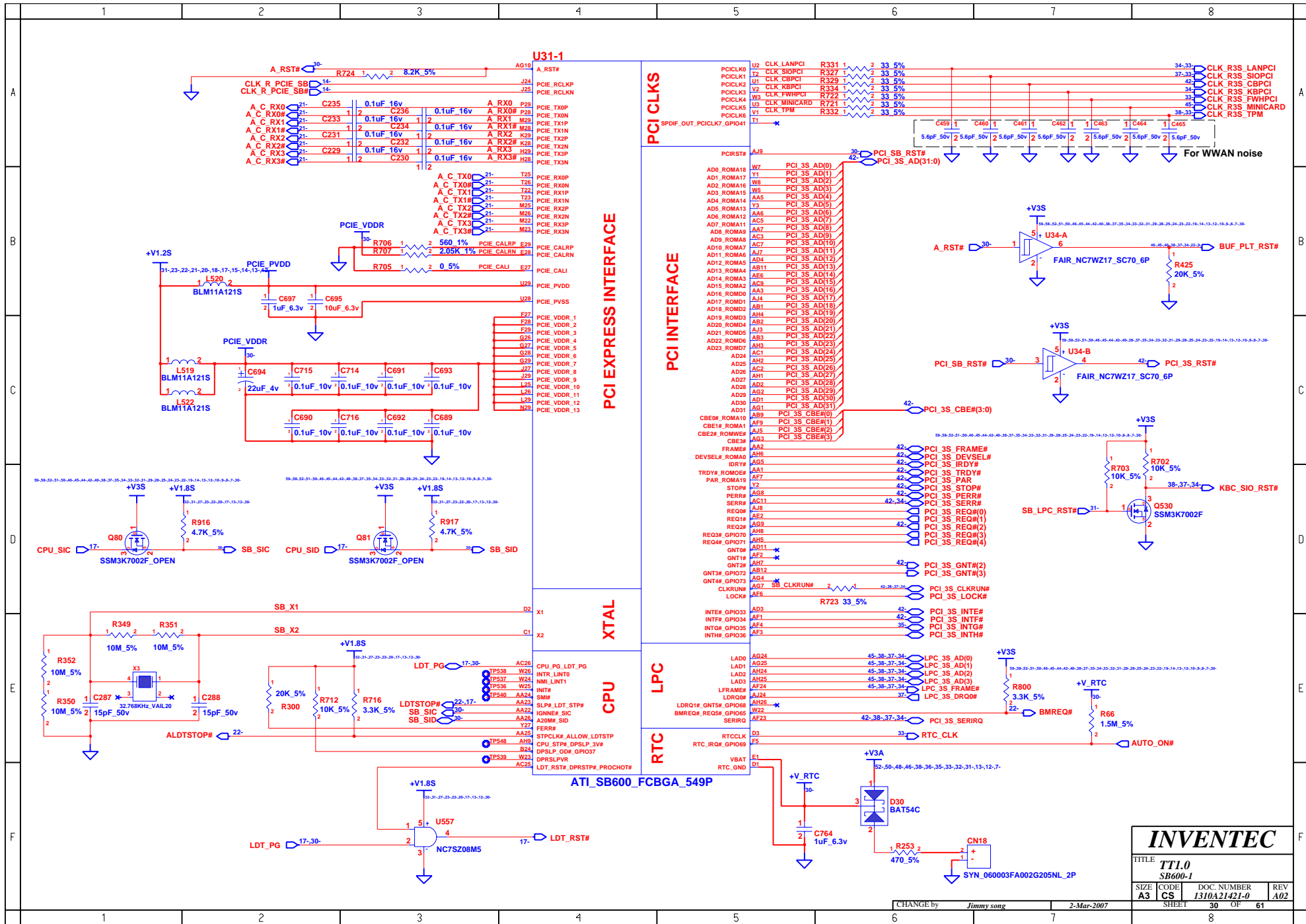
INVENTEC

TITLE			
TT1.0			
CRT&SVEDIO CONN			
SIZE	CODE	DOC. NUMBER	REV
A3	CS	1310A21421-0	A02



Closed to LCD connector

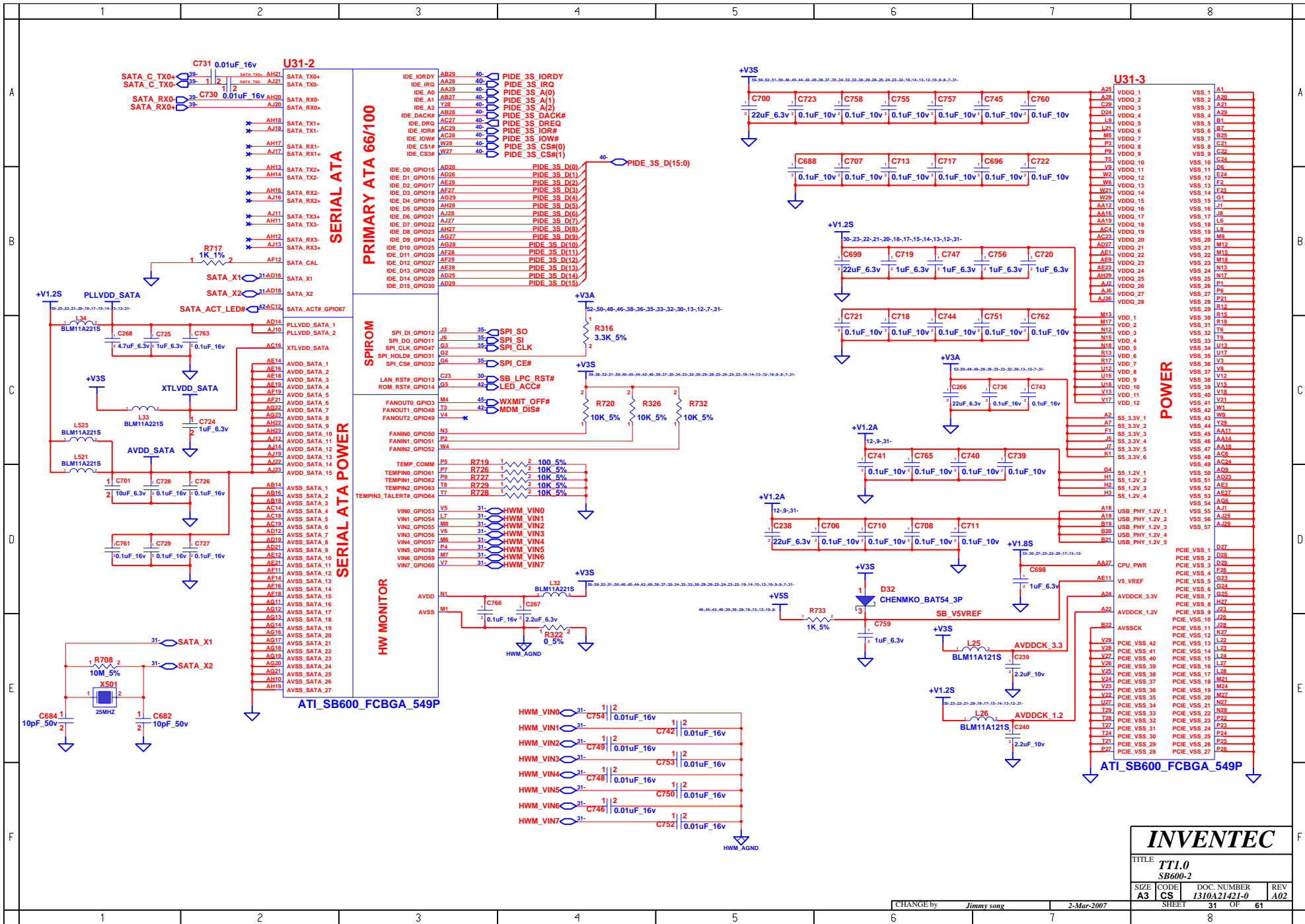
INVENTEC			
TITLE TTL0 LCD CONN			
SIZE A3	CODE CS	DOC. NUMBER 1310A21421-0	REV A02
CHANGE by <i>Jimmy song</i>		2-Mar-2007	
SHEET 29		OF 61	



INVENTEC

TITLE TT1.0 SB600-1			
SIZE A3	CODE CS	DOC. NUMBER 1310A2142-0	REV A02
SHEET 30		OF 61	

CHANGE by *Jimmy song* 2-Mar-2007



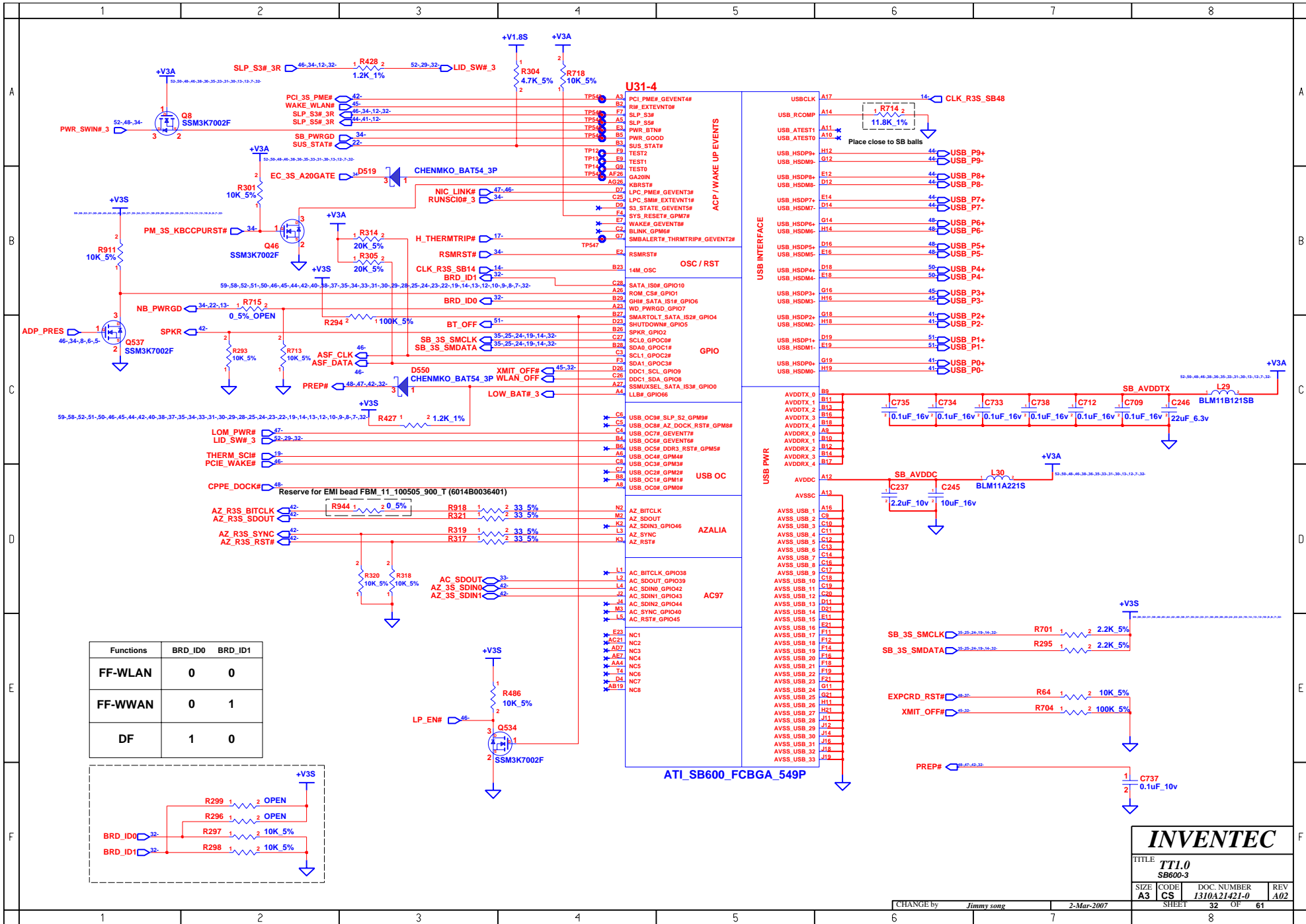
INVENTEC

TITLE
TI1.0
SB600-2

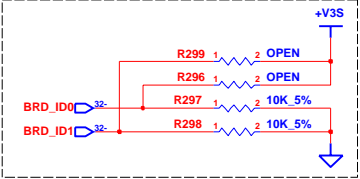
SIZE	CODE	DOC. NUMBER	REV
A3	CS	1310A21421-0	A02

CHANGE by Jimmy song 2-Mar-2007

SHEET 31 OF 61



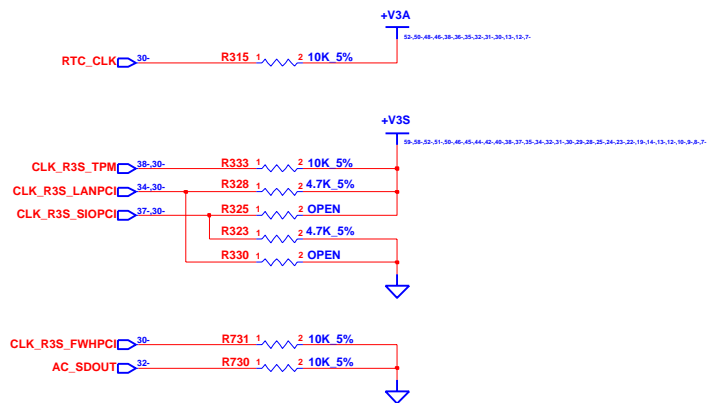
Functions	BRD_ID0	BRD_ID1
FF-WLAN	0	0
FF-WWAN	0	1
DF	1	0



INVENTEC
 TITLE TT1.0
 SB600-3
 SIZE A3 CODE CS DOC NUMBER 1310A21421-0 REV A02
 CHANGE by Jimmy song 2-Mar-2007 SHEET 32 OF 61

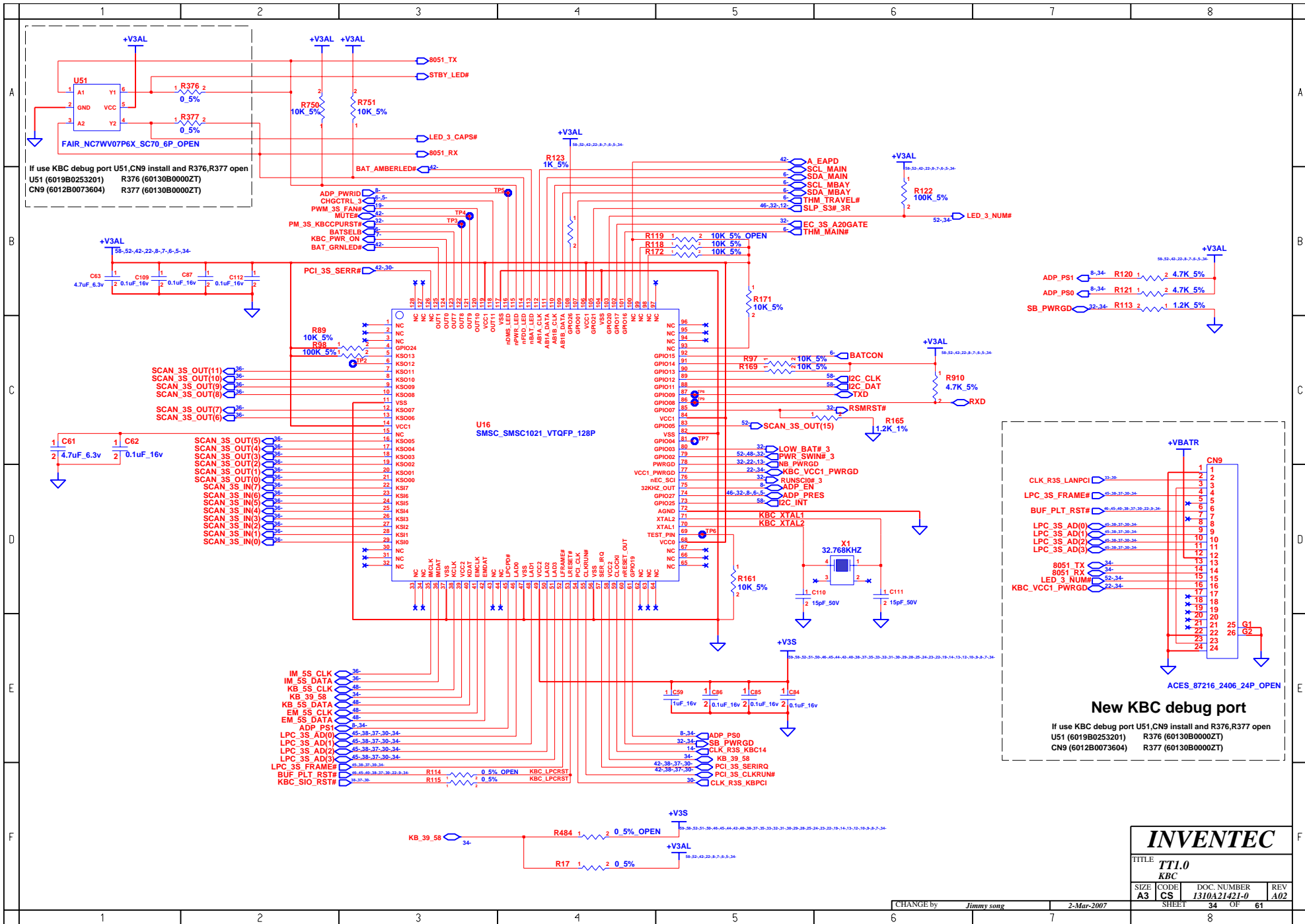
Required Straps:

	AC_SDOUT	RTC_CLK	CLK_R3S_FWHPCI	PCI_CLK6	PCI_CLK0 PCI_CLK1
PULL HIGH	USE DEBUG STRAPS	INTERNAL RTC	USE INT. PLL48	CPU K8	HH: PCI ROM HL: SPI ROM
PULL LOW	IGNORE DEBUG STRAPS	EXTERNAL RTC	USE EXT. 48M CLK	CPU P4	LH: LPC ROM LL: FWH ROM



INVENTEC

TITLE <i>TT1.0</i>			
SB600-4			
SIZE	CODE	DOC. NUMBER	REV
A3	CS	1310A21421-0	A02
CHANGE by <i>Jimmy song</i>		2-Mar-2007	SHEET 33 OF 61



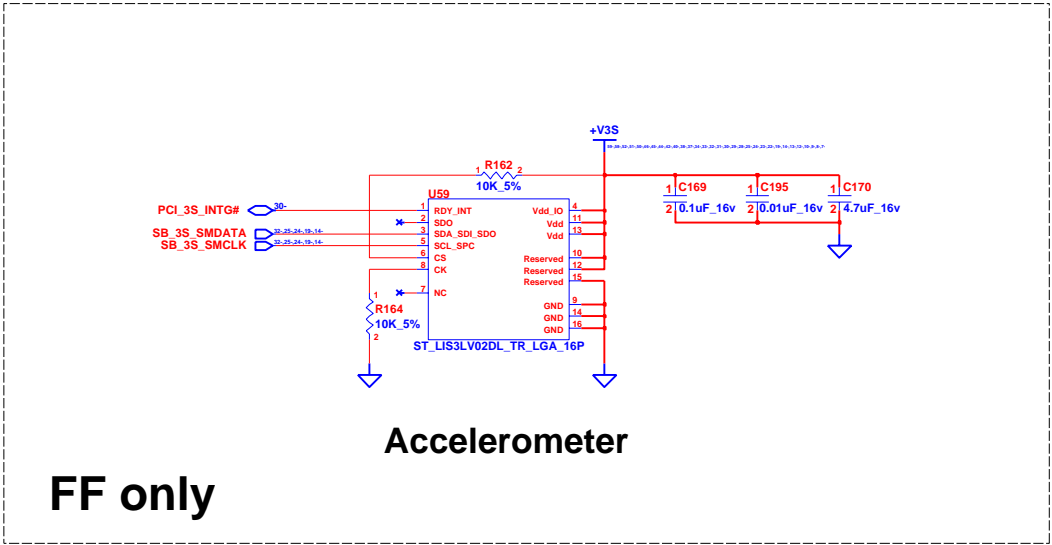
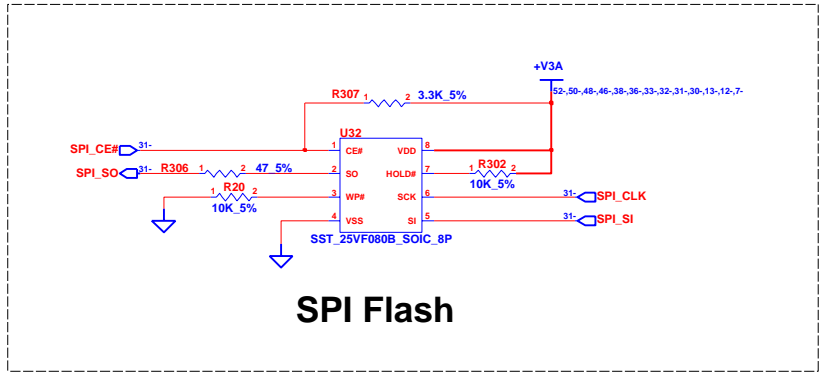
If use KBC debug port U51,CN9 install and R376,R377 open
 U51 (6019B0253201) R376 (60130B0000ZT)
 CN9 (6012B0073604) R377 (60130B0000ZT)

New KBC debug port

If use KBC debug port U51,CN9 install and R376,R377 open
 U51 (6019B0253201) R376 (60130B0000ZT)
 CN9 (6012B0073604) R377 (60130B0000ZT)

INVENTEC

TITLE			
TTI.0			
KBC			
SIZE	CODE	DOC. NUMBER	REV
A3	CS	1310A21421-0	A02
SHEET		OF	
34		61	



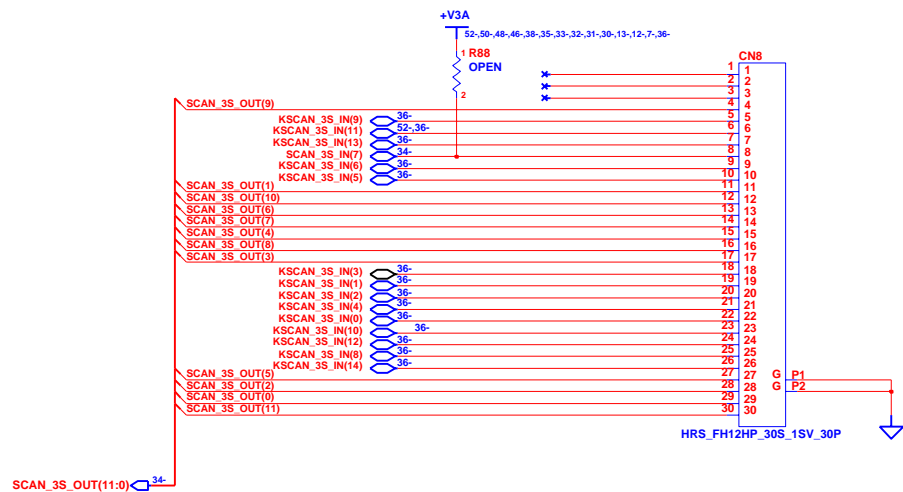
INVENTEC

TITLE			
TT1.0			
SPI & Accelerometer			
SIZE	CODE	DOC. NUMBER	REV
A3	CS	1310A21421-0	A02

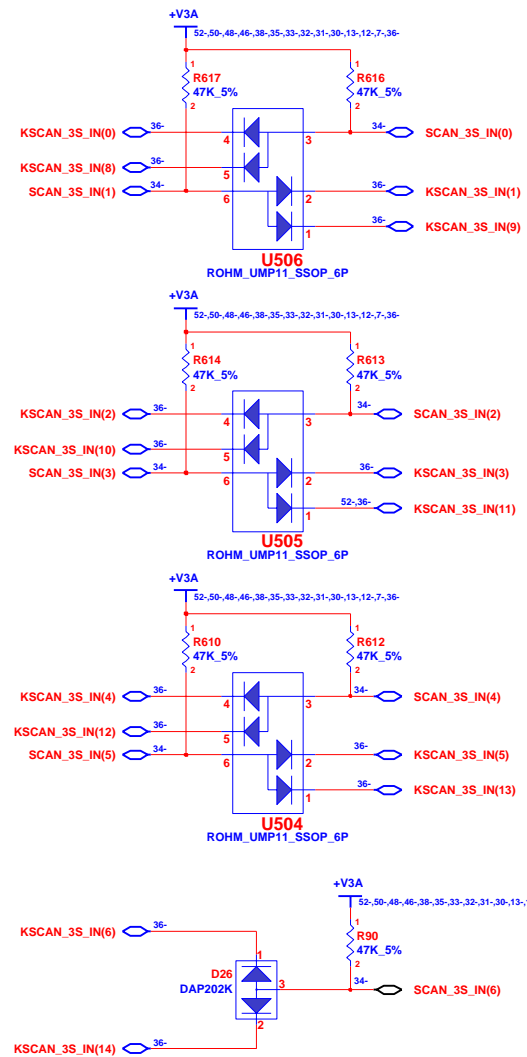
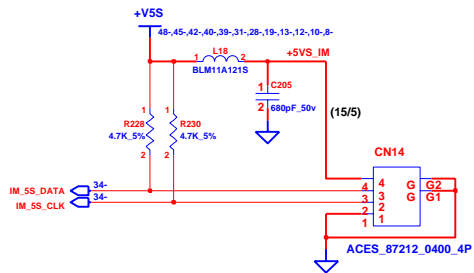
CHANGE by Jimmy song 2-Mar-2007

SHEET 35 OF 61

Keyboard CONN



Touch Pad CONN



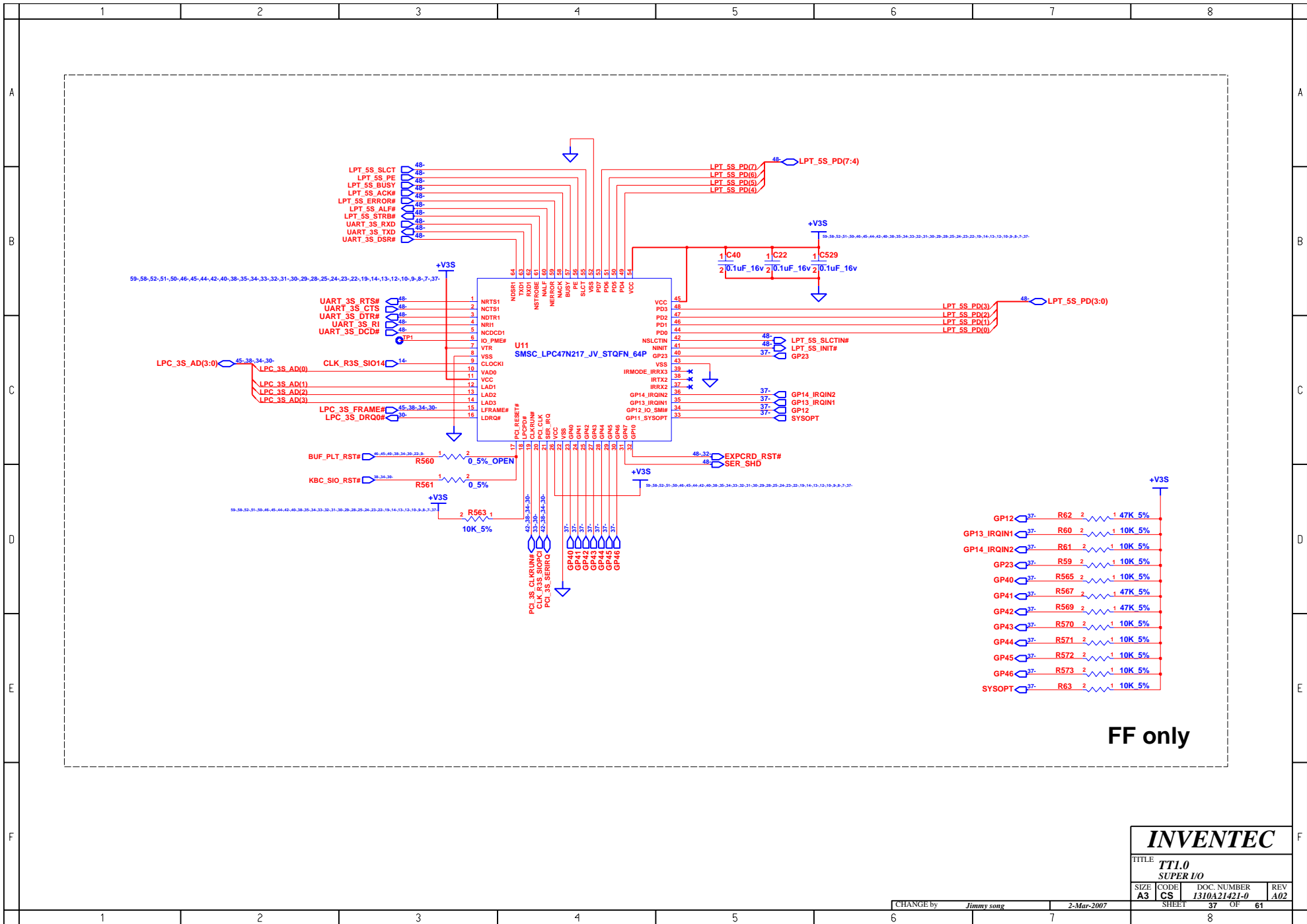
INVENTEC

TITLE
TTL0
INT.KBC/POINT DEVICES

SIZE CODE DOC. NUMBER REV
A3 CS 1310A21421-0 A02

CHANGE by Jimmy song 2-Mar-2007

SHEET 36 OF 61



FF only

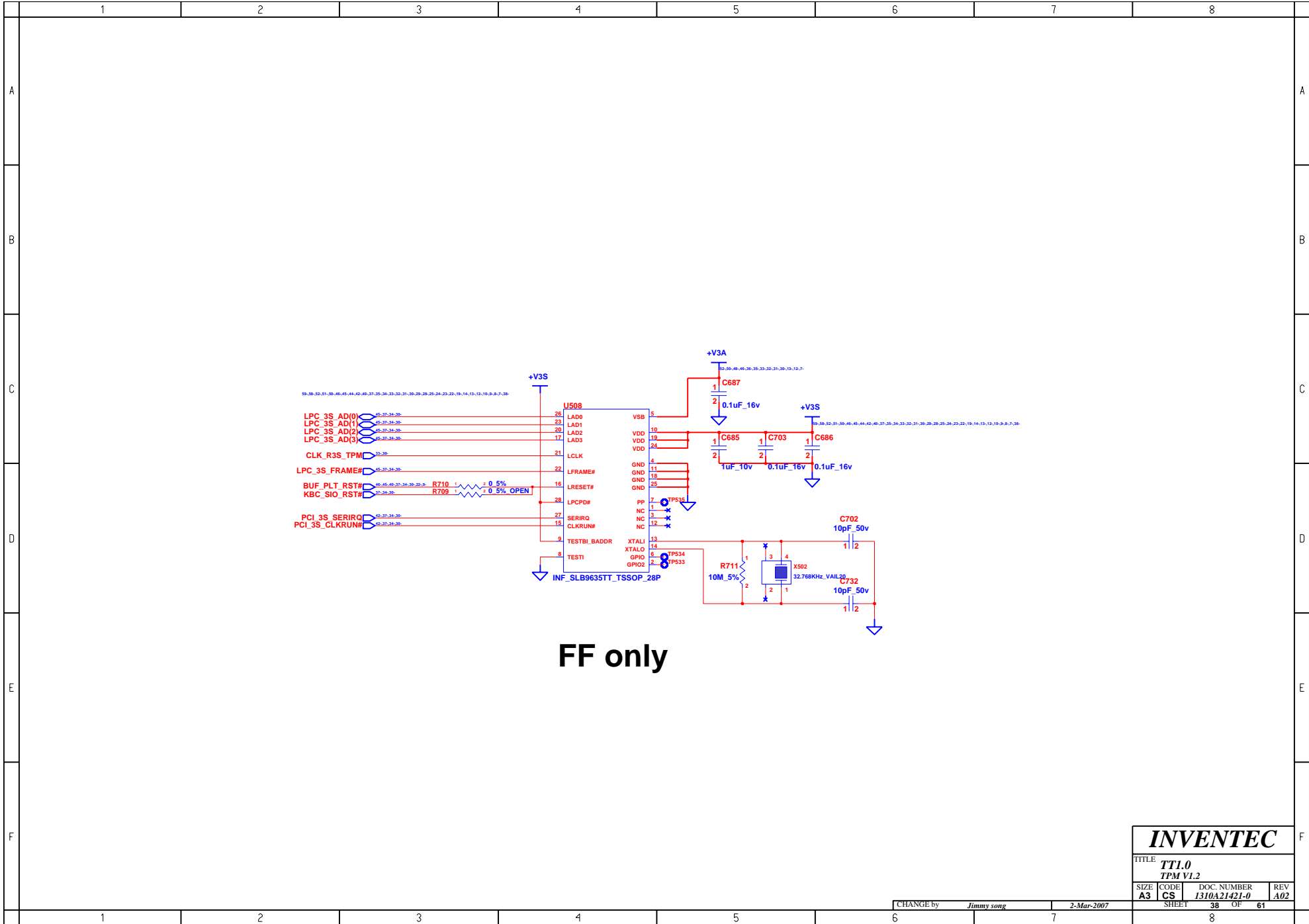
INVENTEC

TITLE
TT1.0
SUPER I/O

SIZE	CODE	DOC. NUMBER	REV
A3	CS	1310A21421-0	A02

CHANGE by Jimmy song 2-Mar-2007

SHEET 37 OF 61



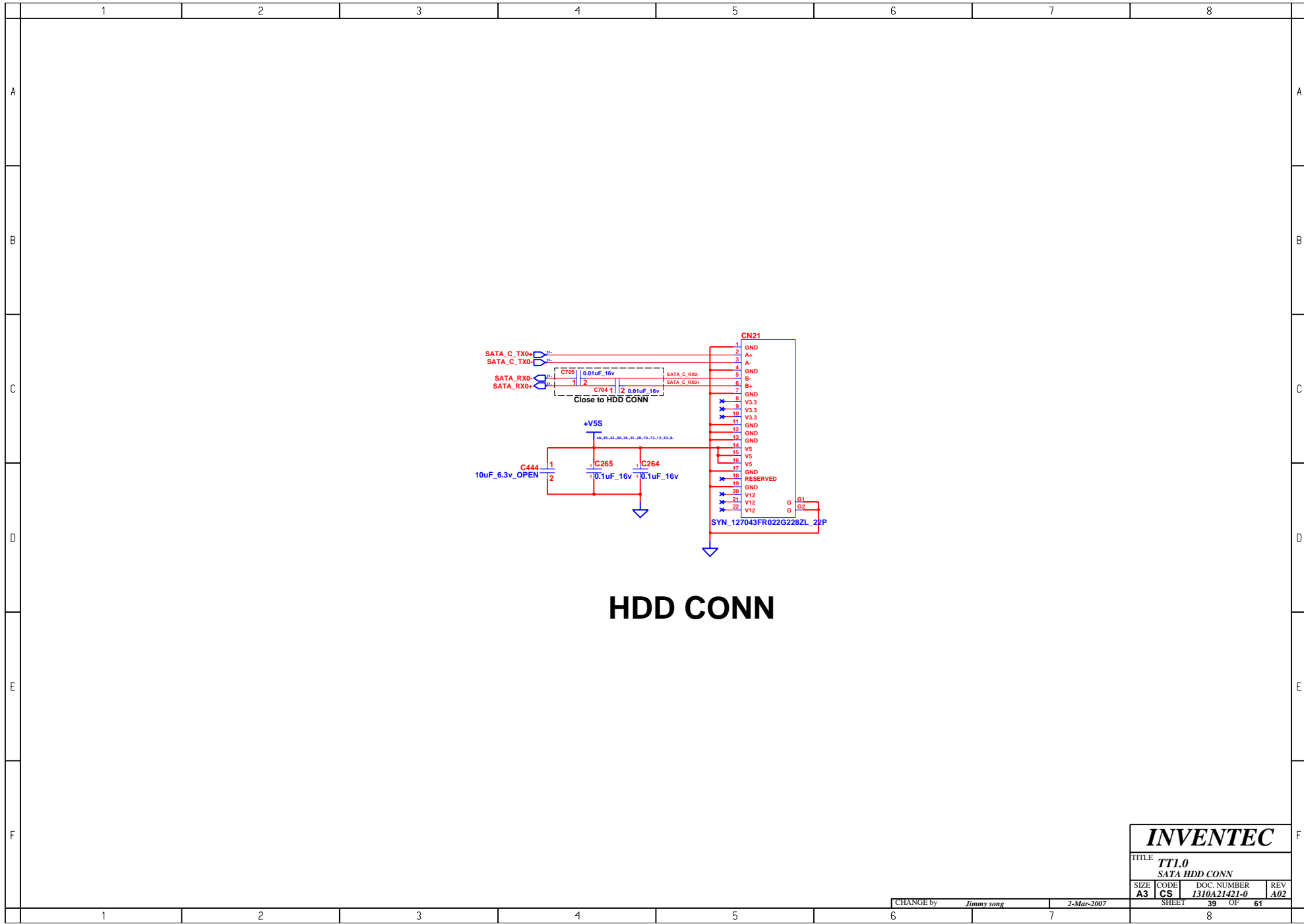
INVENTEC

TITLE
TT1.0
TPM V1.2

SIZE A3	CODE CS	DOC. NUMBER 1310A21421-0	REV A02
-------------------	-------------------	------------------------------------	-------------------

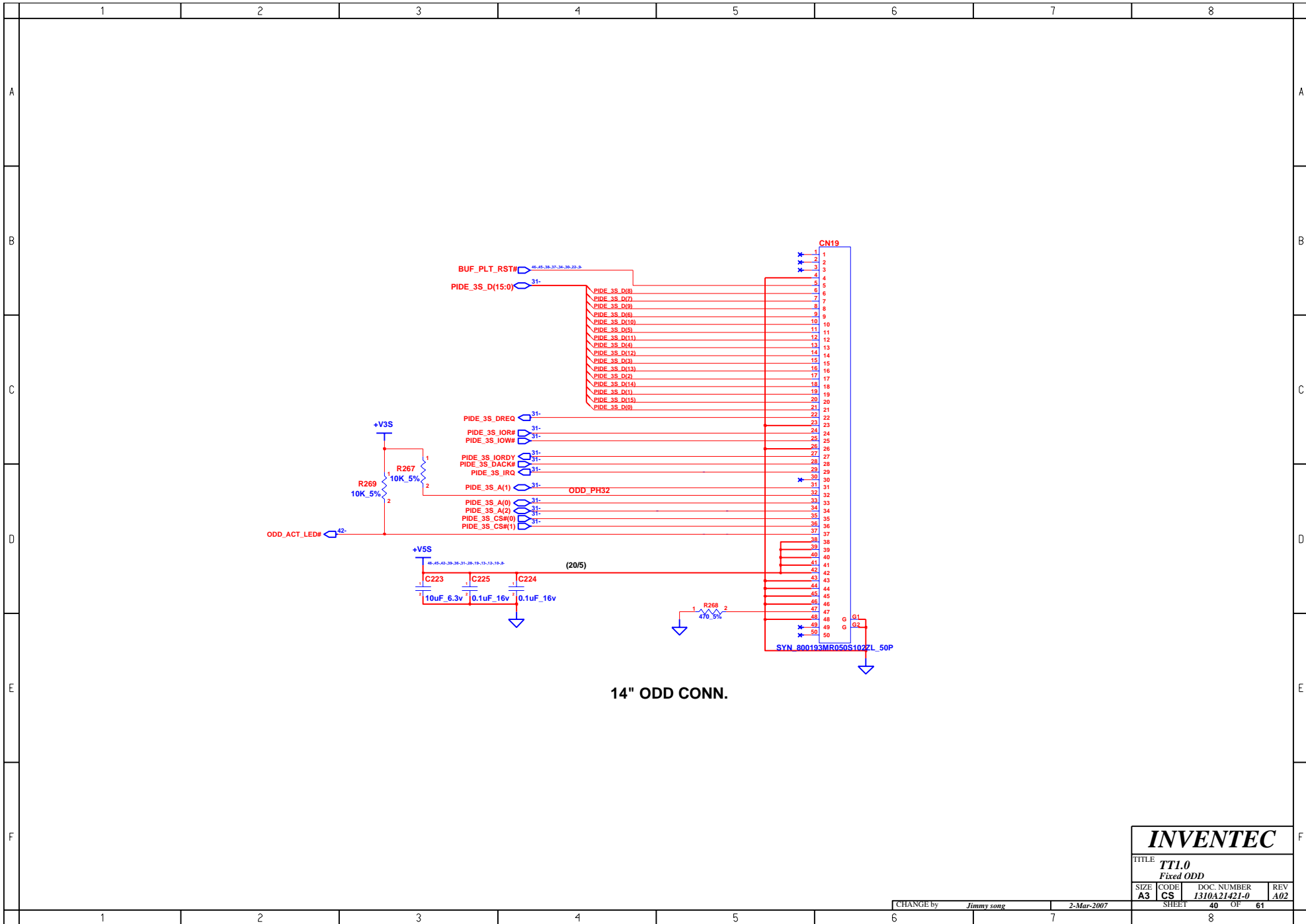
CHANGE by *Jimmy song* 2-Mar-2007

SHEET 38 OF 61



HDD CONN

INVENTEC			
TITLE <i>TTL.0</i> SATA HDD CONN			
SIZE	CODE	DOC. NUMBER	REV
A3	CS	1310A21421-0	A02



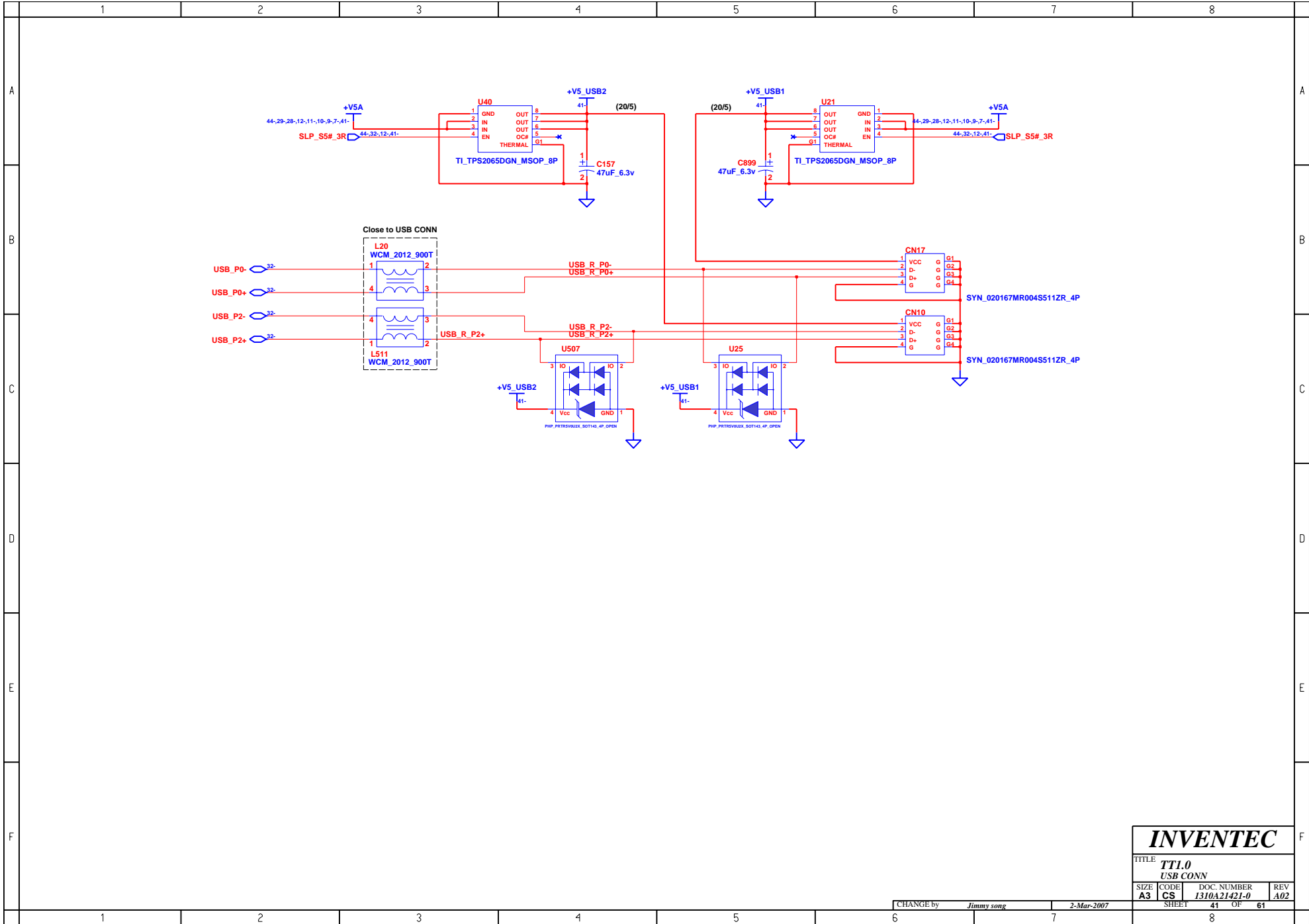
14" ODD CONN.

INVENTEC

TITLE *TTL0*
Fixed ODD

SIZE	CODE	DOC. NUMBER	REV
A3	CS	1310A21421-0	A02

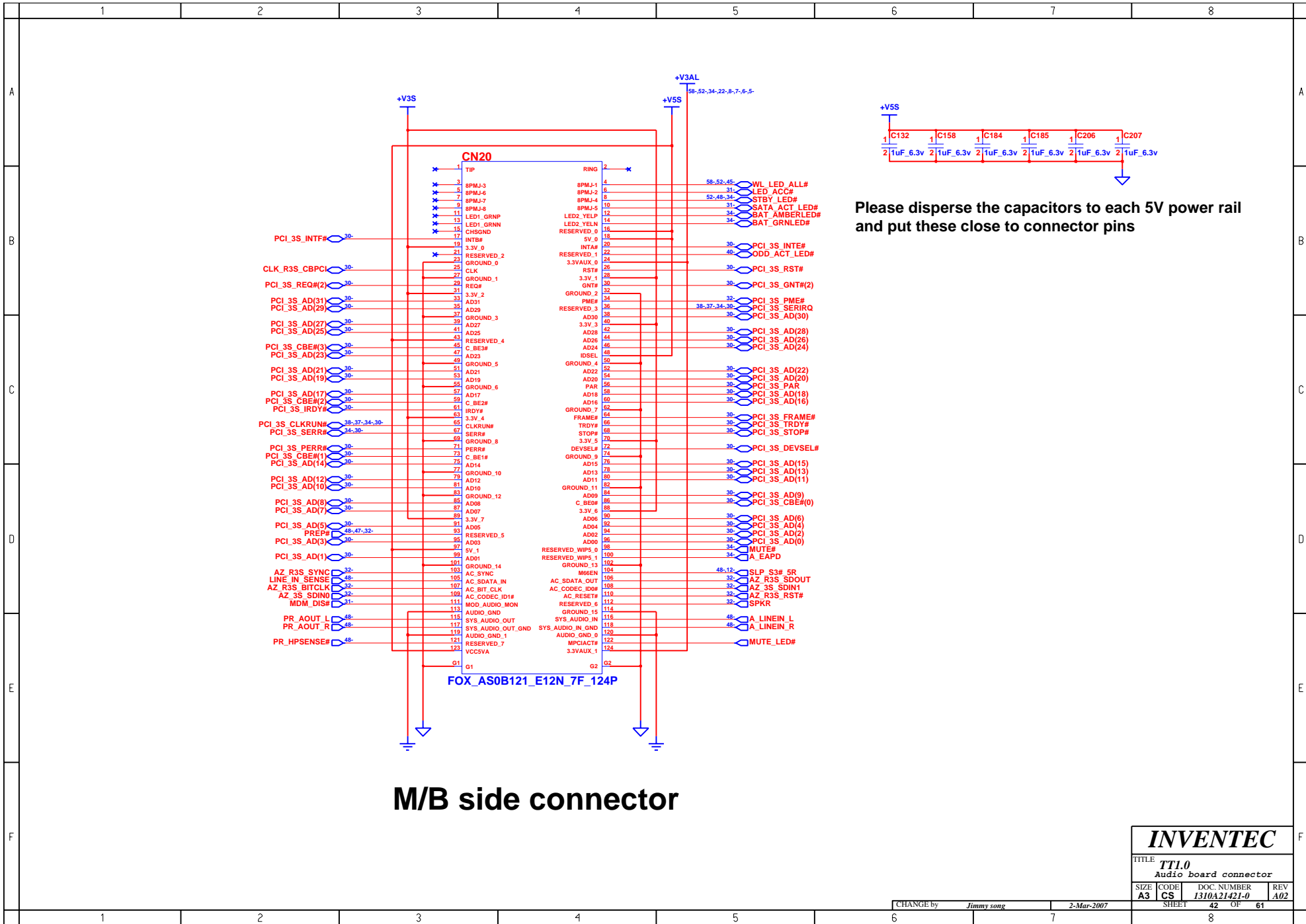
CHANGE by Jimmy song 2-Mar-2007 SHEET 40 OF 61



INVENTEC

TITLE			
TTL.0			
USB CONN			
SIZE	CODE	DOC. NUMBER	REV
A3	CS	1310A21421-0	A02

CHANGE by	Jimmy song	2-Mar-2007	SHEET	41	OF	61
-----------	------------	------------	-------	----	----	----



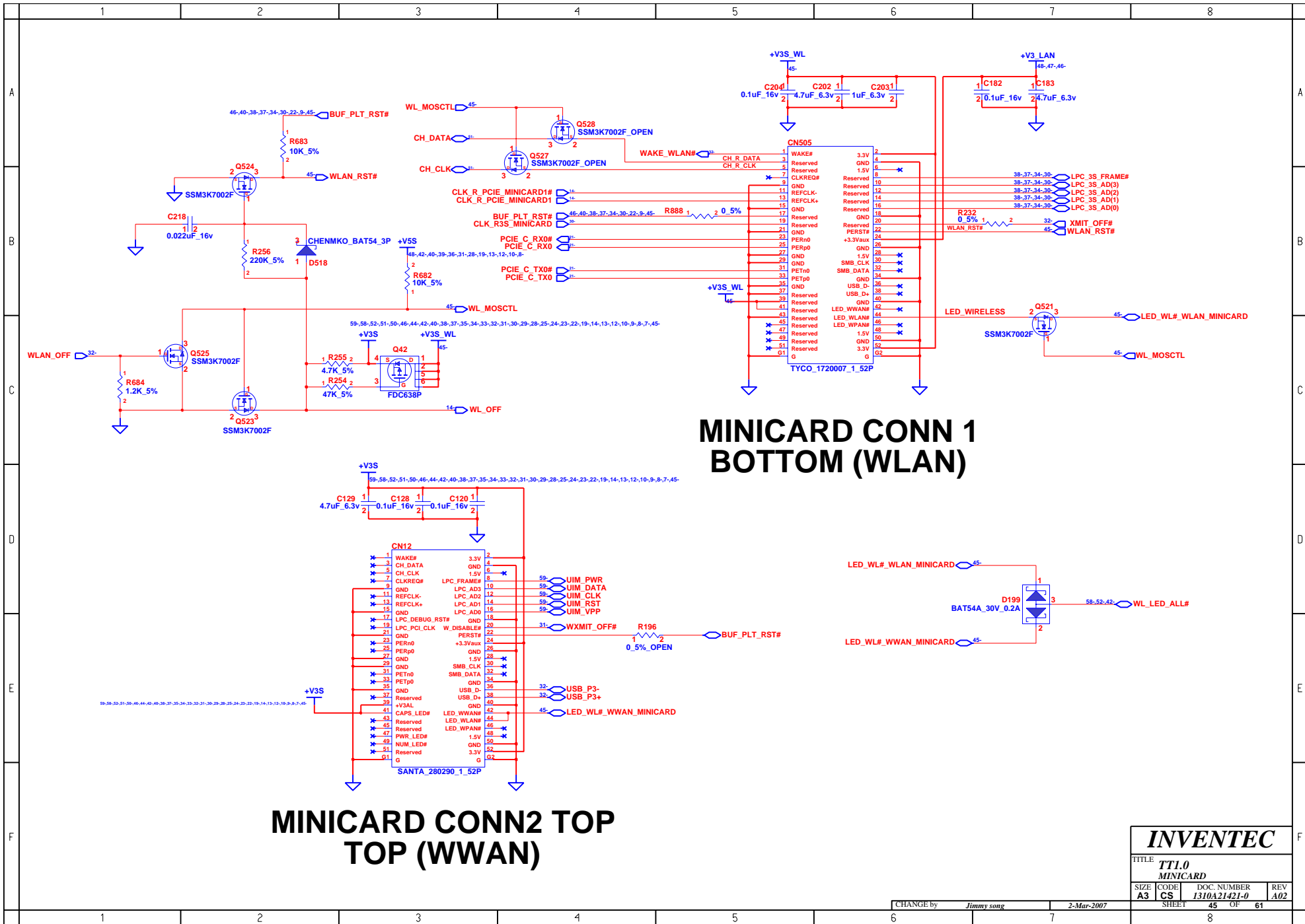
INVENTEC

TITLE **TT1.0**
Audio board connector

SIZE	CODE	DOC. NUMBER	REV
A3	CS	1310A21421-0	A02

BLANK

INVENTEC			
TITLE <i>TT1.0</i>			
BLANK			
SIZE	CODE	DOC. NUMBER	REV
A3	CS	1310A21421-0	A02
CHANGE by <i>Jimmy song</i>		2-Mar-2007	
SHEET		43	OF 61



MINICARD CONN 1 BOTTOM (WLAN)

MINICARD CONN2 TOP TOP (WWAN)

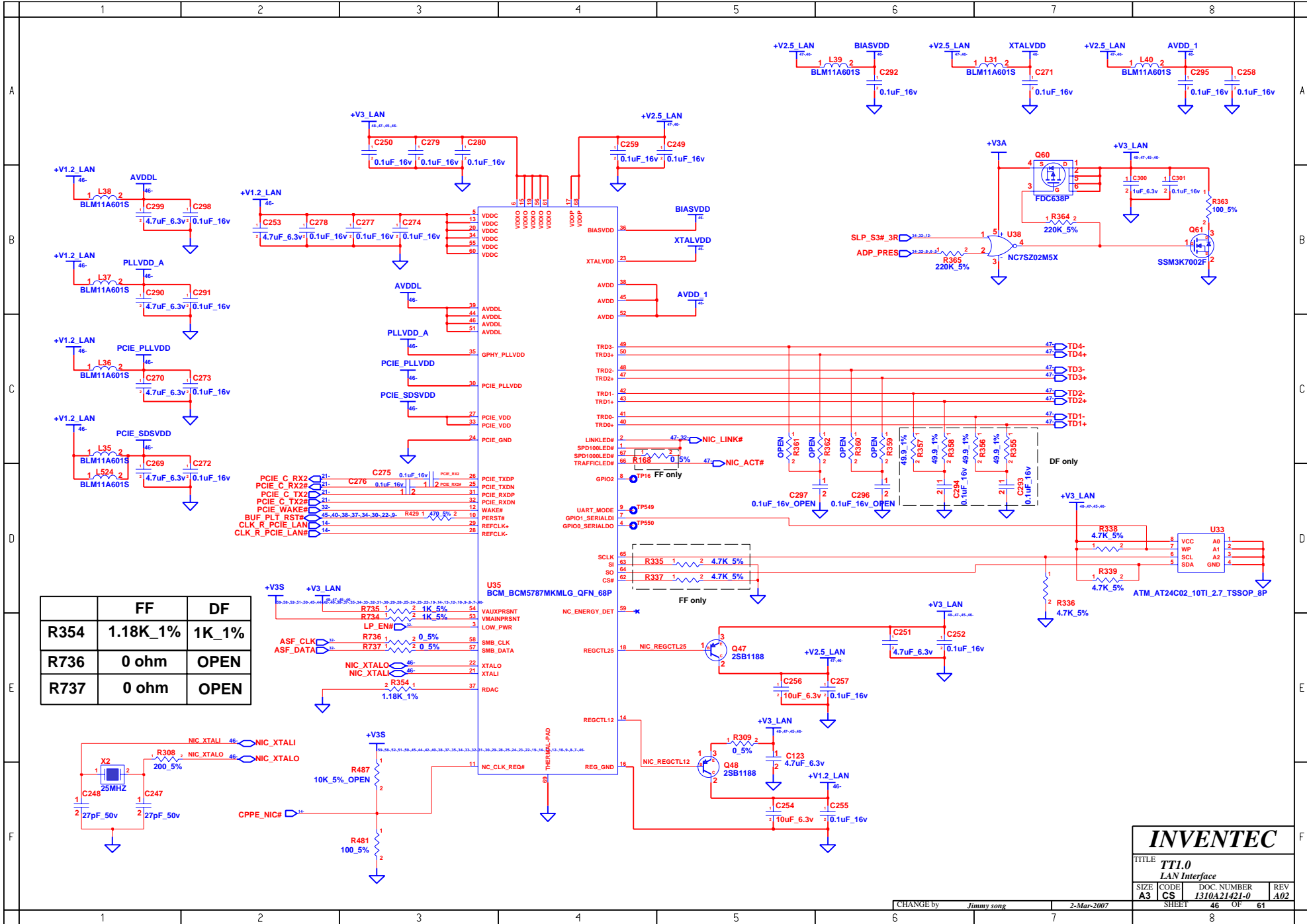
INVENTEC

TITLE
**TTL0
MINICARD**

SIZE A3	CODE CS	DOC. NUMBER I310A21421-0	REV A02
-------------------	-------------------	------------------------------------	-------------------

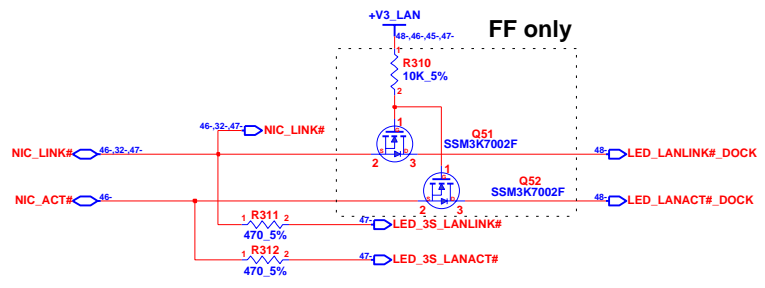
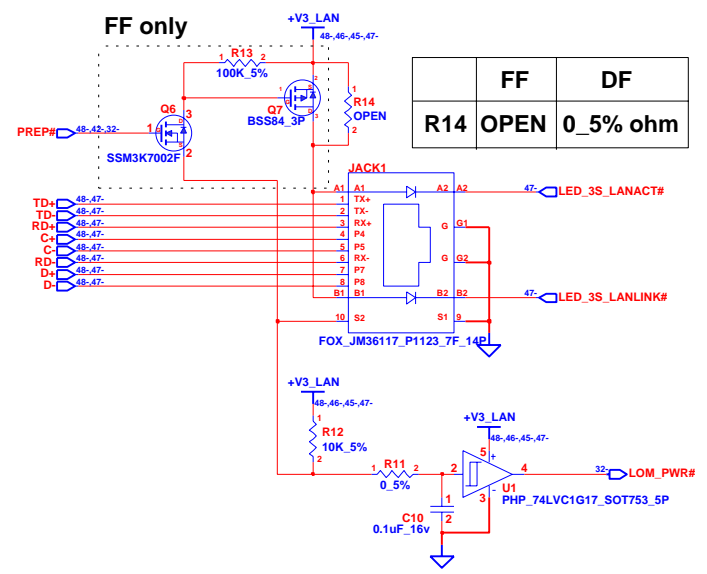
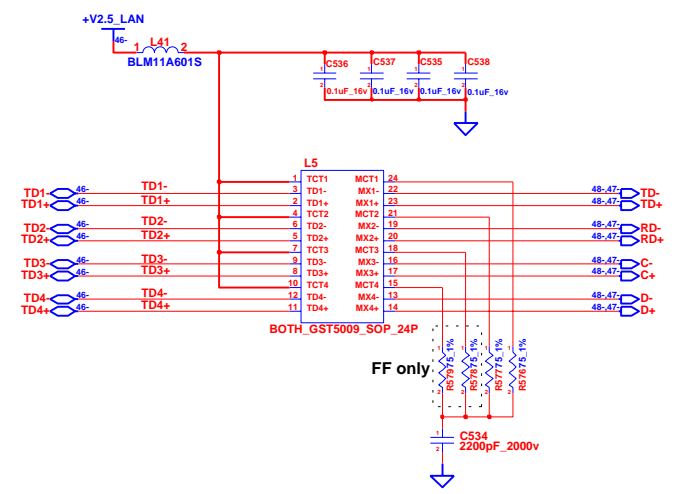
CHANGE by *Jimmy song* 2-Mar-2007

SHEET 45 OF 61

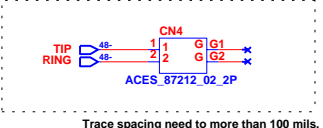
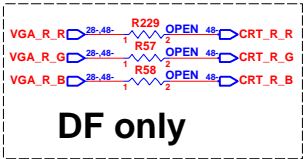
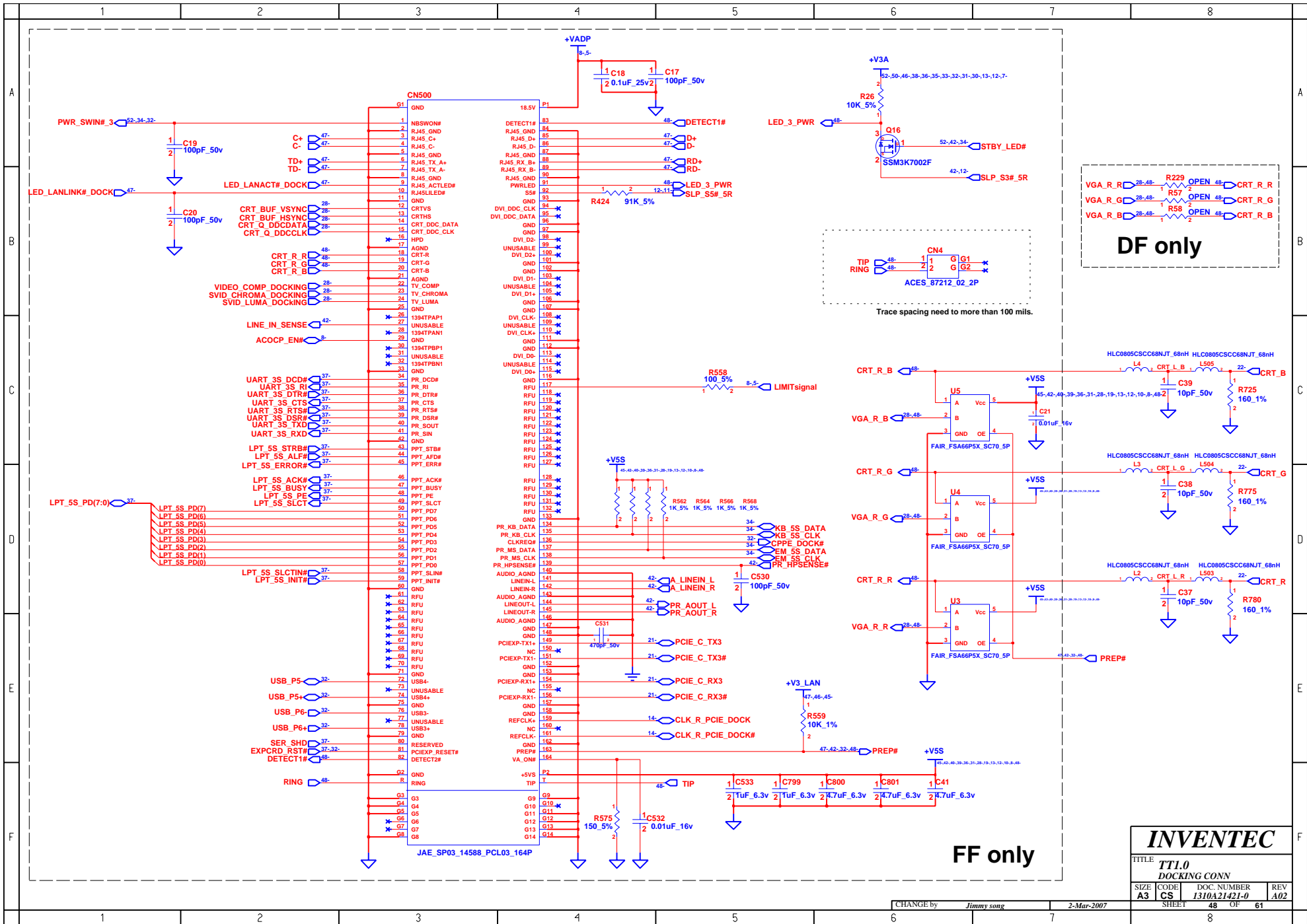


	FF	DF
R354	1.18K_1%	1K_1%
R736	0 ohm	OPEN
R737	0 ohm	OPEN

INVENTEC			
TITLE TT1.0 LAN Interface			
SIZE A3	CODE CS	DOC. NUMBER I310A21421-0	REV A02
CHANGE by Jimmy song		2-Mar-2007	
SHEET 46		OF 61	



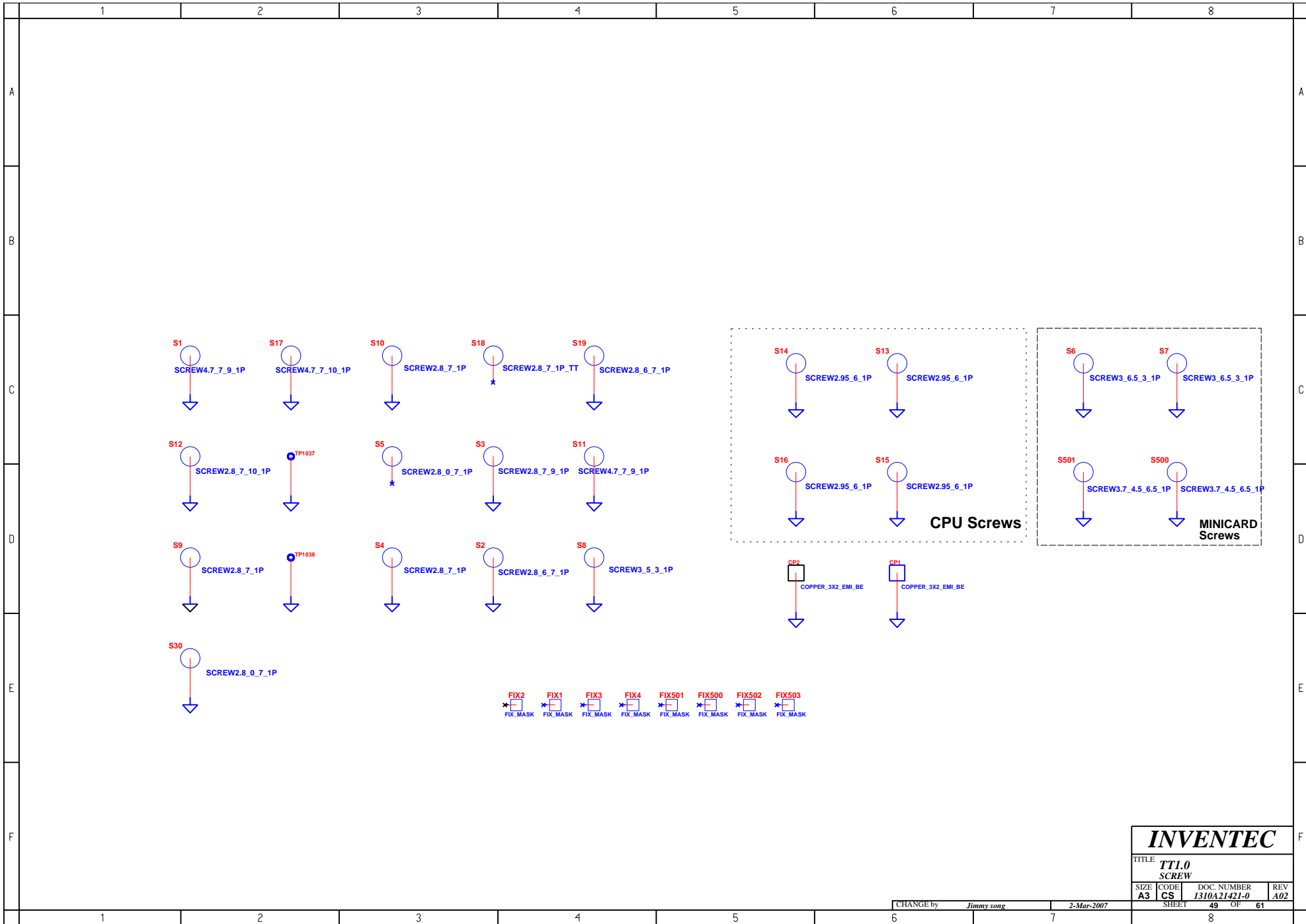
INVENTEC			
TITLE <i>TTL0</i> <i>LAN RJ45 CONN</i>			
SIZE A3	CODE CS	DOC. NUMBER 1310A21421-0	REV A02
CHANGE by <i>Jimmy song</i>		2-Mar-2007	SHEET 47 OF 61

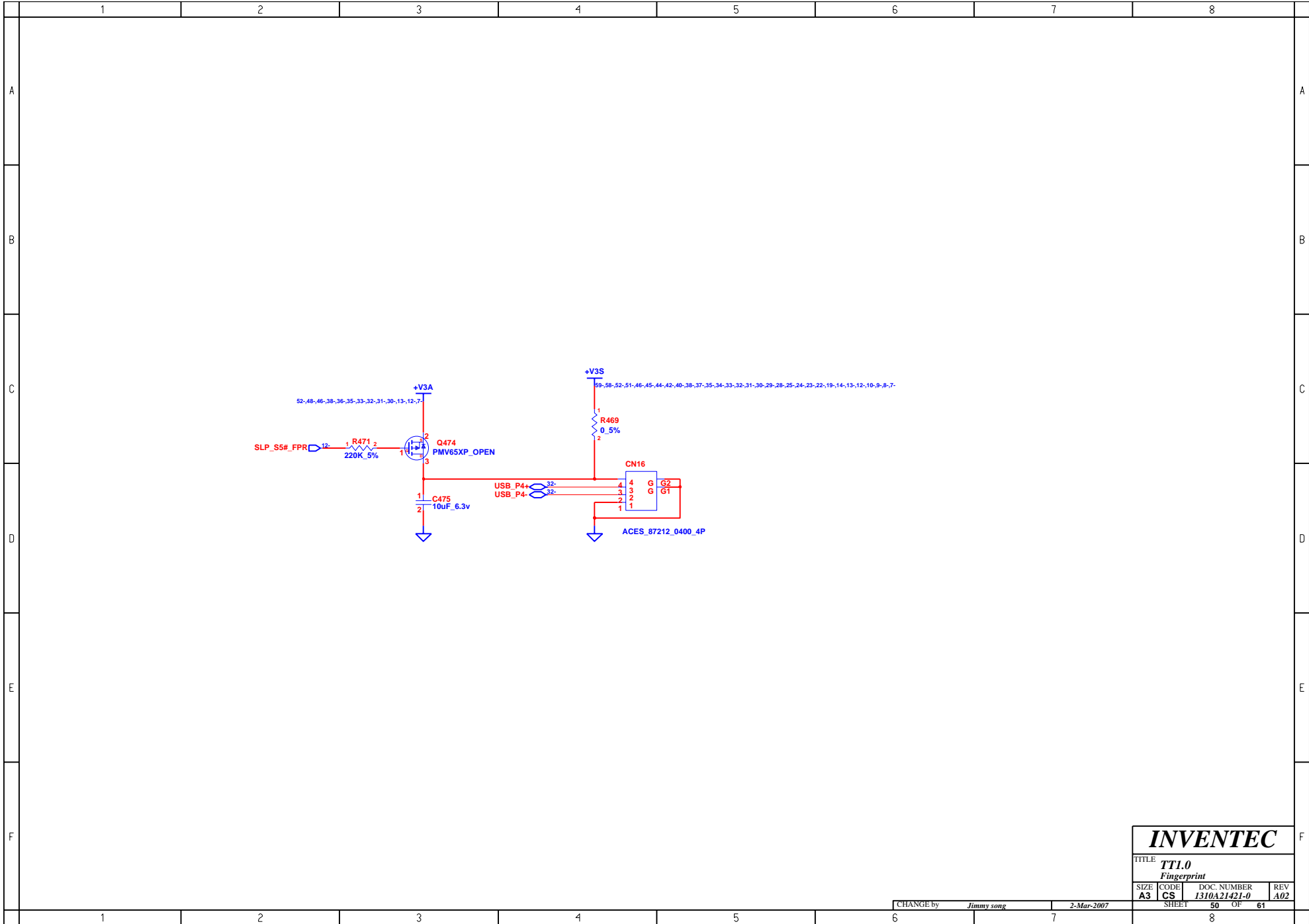


INVENTEC

TITLE
TT1.0 DOCKING CONN

SIZE	CODE	DOC. NUMBER	REV
A3	CS	1310A21421-0	A02





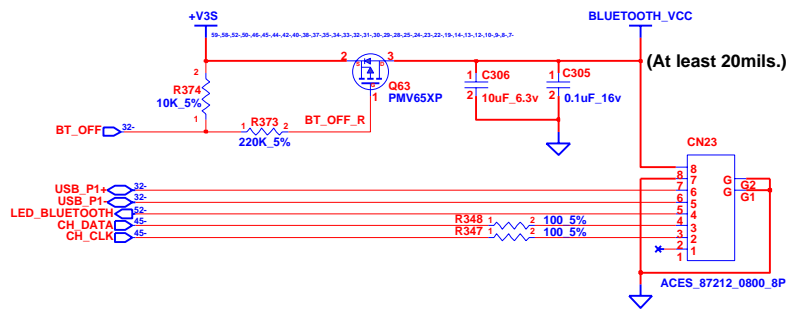
INVENTEC

TITLE *TT1.0*
Fingerprint

SIZE	CODE	DOC. NUMBER	REV
A3	CS	1310A21421-0	A02

CHANGE by Jimmy song 2-Mar-2007

SHEET 50 OF 61

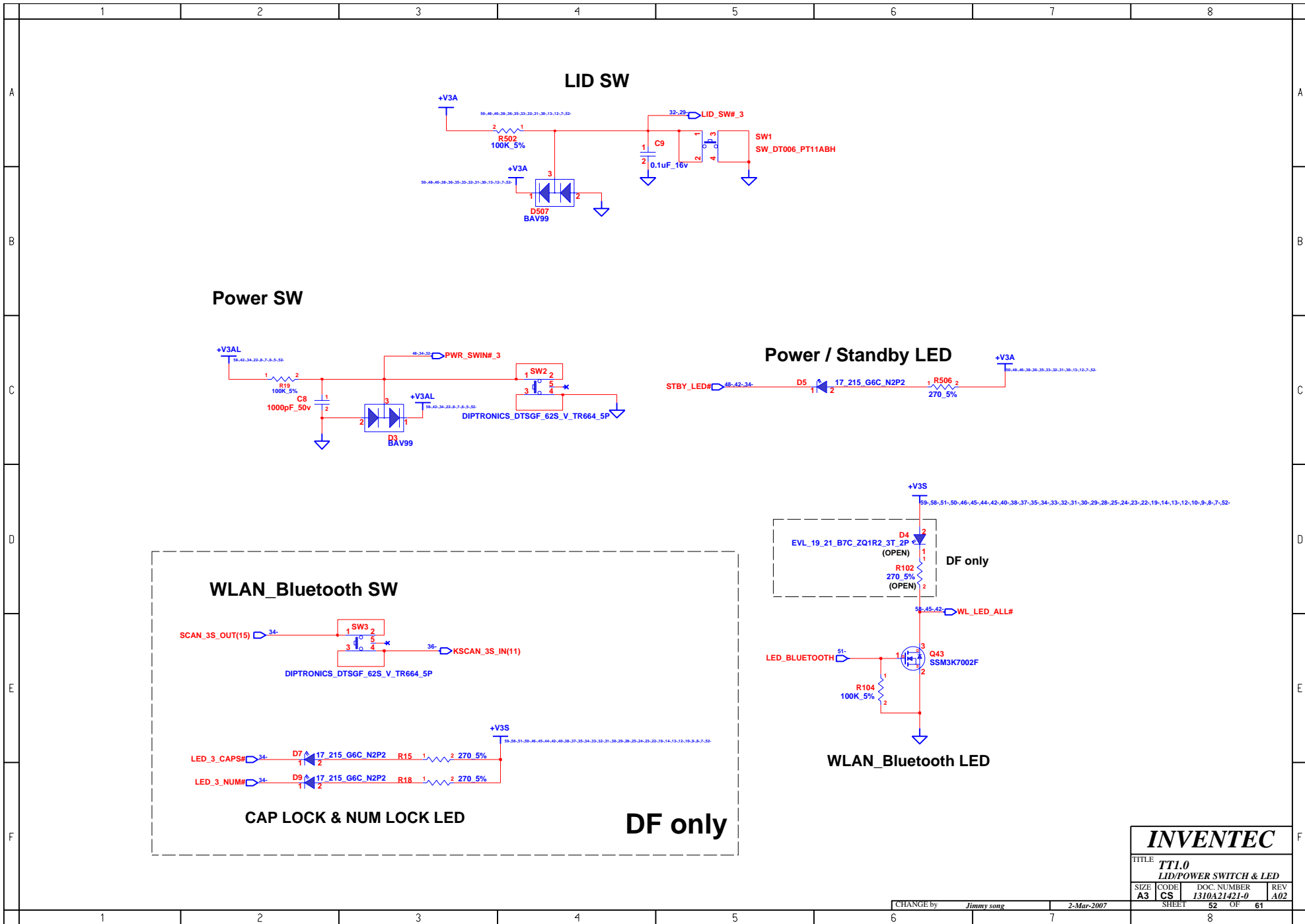


INVENTEC

TITLE			
TT1.0			
BLUETOOTH			
SIZE	CODE	DOC. NUMBER	REV
A3	CS	1310A21421-0	A02
SHEET		OF	
51		61	

CHANGE by Jimmy song 2-Mar-2007

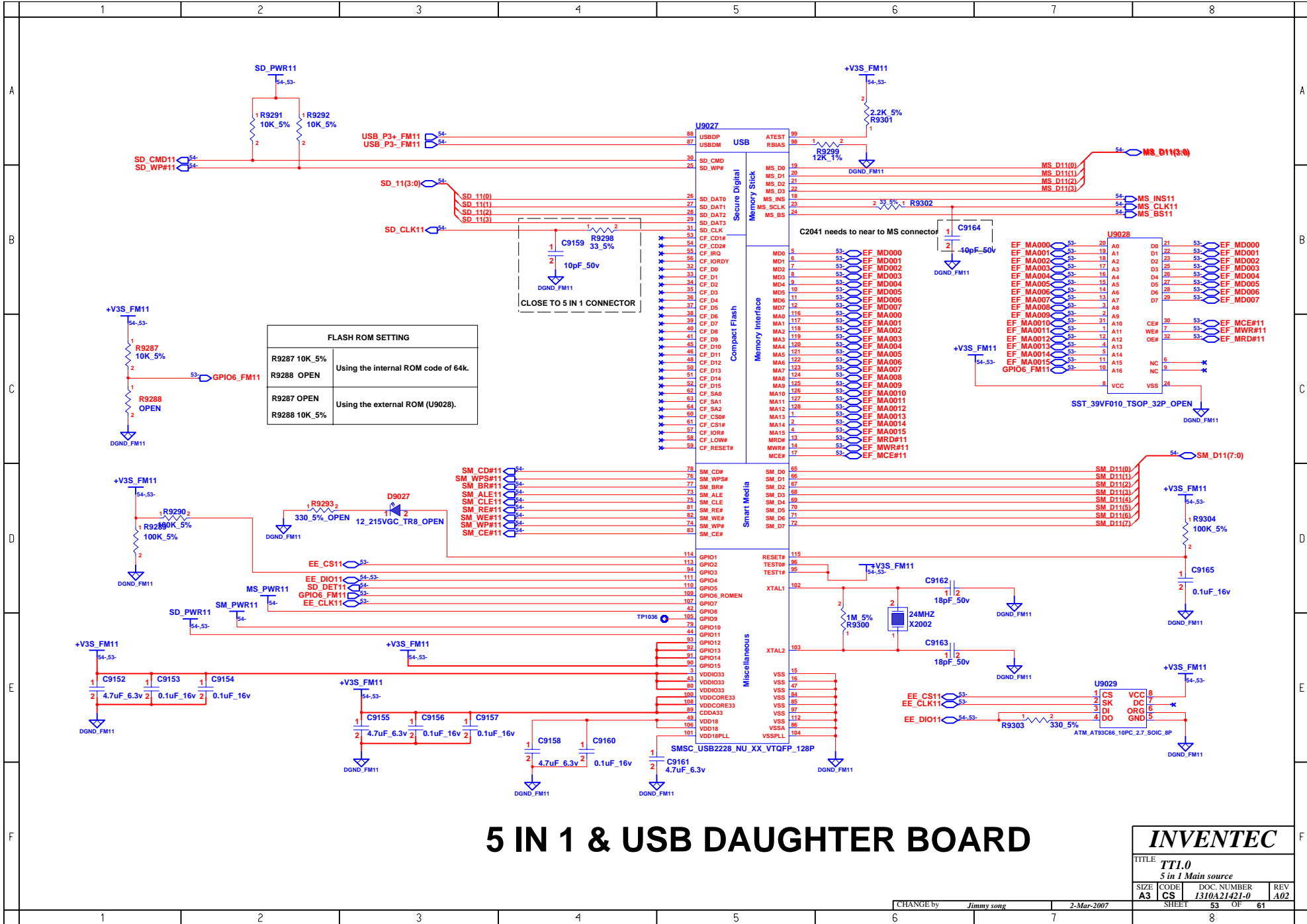
SHEET 51 OF 61



INVENTEC

TITLE			
TTL0			
LID/POWER SWITCH & LED			
SIZE	CODE	DOC NUMBER	REV
A3	CS	1310A21421-0	A02

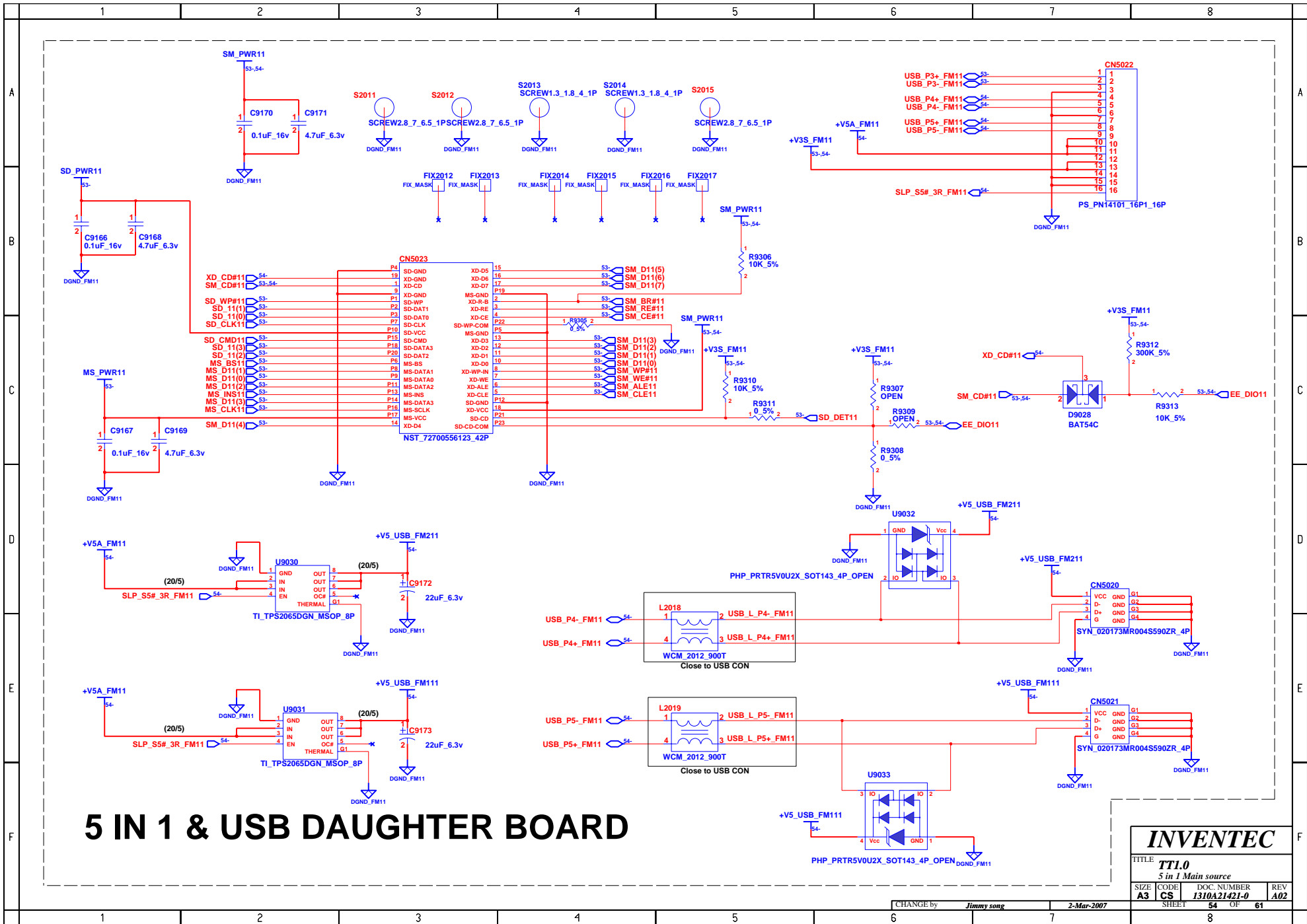
CHANGE by	Jimmy song	2-Mar-2007	SHEET	52	OF	61
-----------	------------	------------	-------	----	----	----



FLASH ROM SETTING	
R9287 10K_5%	Using the internal ROM code of 64k.
R9288 OPEN	
R9287 OPEN	Using the external ROM (U9028).
R9288 10K_5%	

5 IN 1 & USB DAUGHTER BOARD

INVENTEC			
TITLE TT1.0			
5 in 1 Main source			
SIZE A3	CODE CS	DOC. NUMBER I310A21421-0	REV A02
CHANGE by <i>Jimmy song</i>		2-Mar-2007	
SHEET 53		OF 61	



5 IN 1 & USB DAUGHTER BOARD

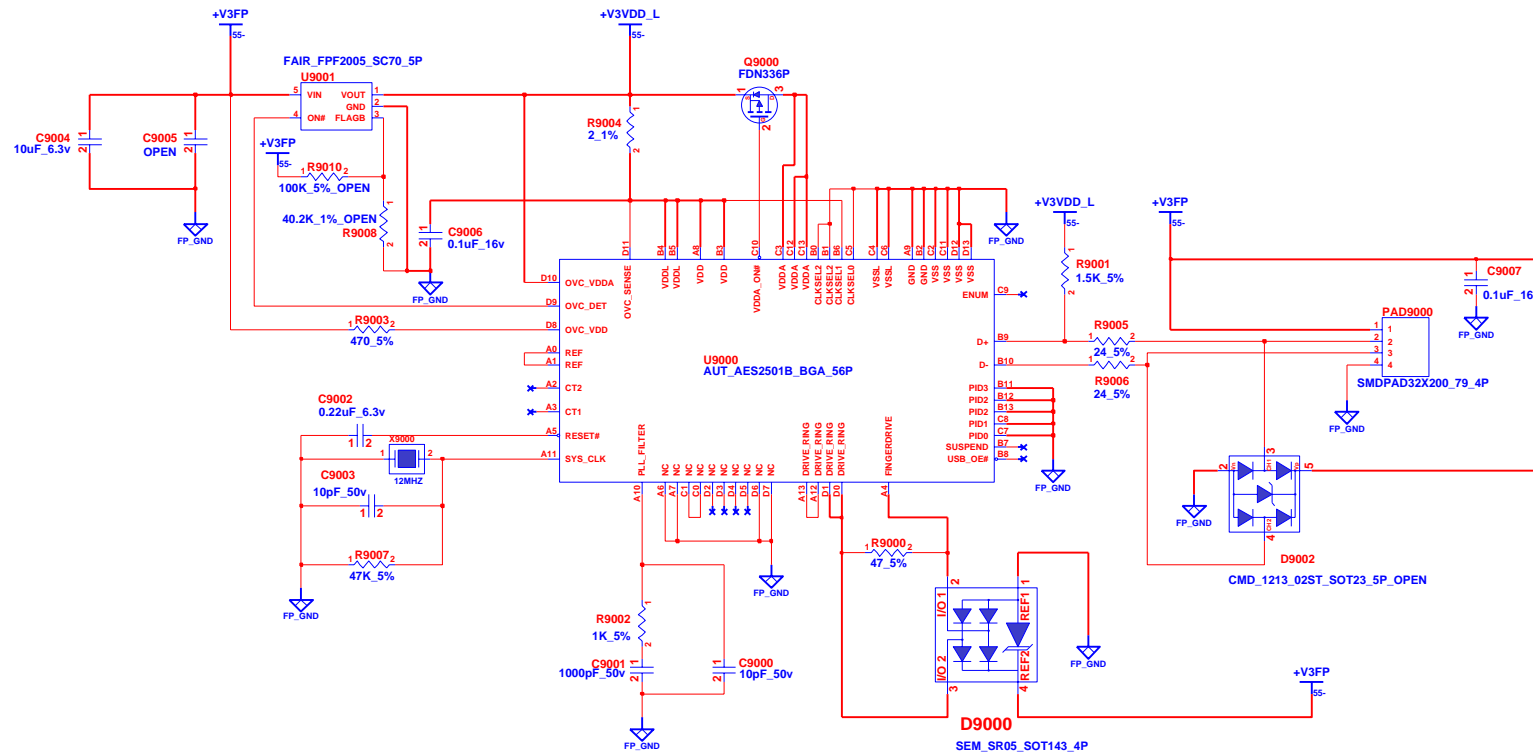
INVENTEC

TITLE TT1.0			
5 in 1 Main source			
SIZE A3	CODE CS	DOC NUMBER I310A21421-0	REV A02
SHEET 54		OF 61	

CHANGE by *Jimmy song* 2-Mar-2007

Finger Print Reader DB

(Same as DAVOS30 FPR circuit.)



INVENTEC

TITLE			
TT1.0			
Finger Print board			
SIZE	CODE	DOC. NUMBER	REV
A3	CS	1310A21421-0	A02
CHANGE by		SHEET	
Jimmy song		55 OF 61	

2-Mar-2007

8

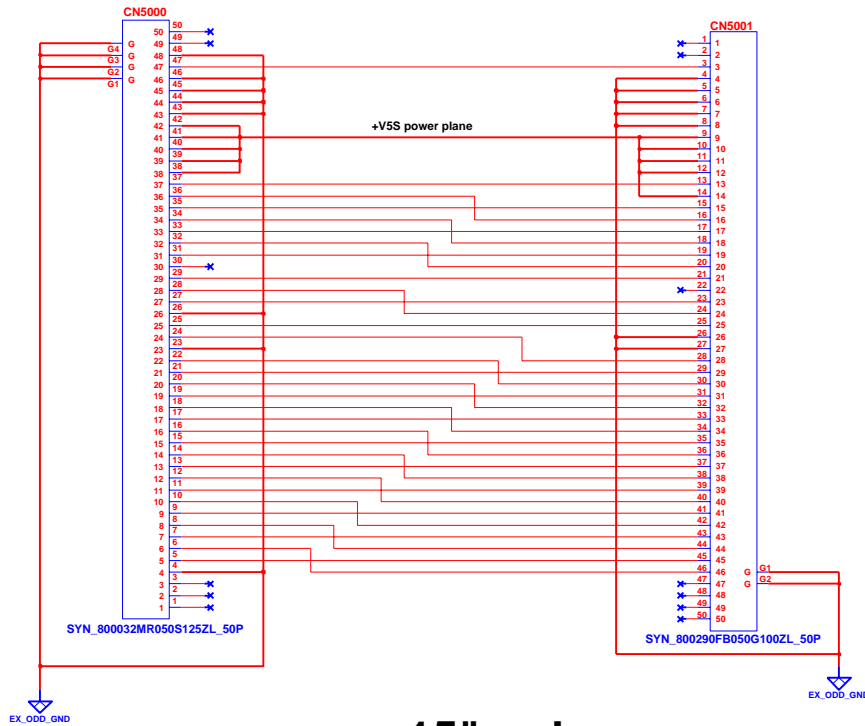
BLANK

INVENTEC

TITLE			
<i>TT1.0</i>			
<i>BLANK</i>			
SIZE	CODE	DOC. NUMBER	REV
A3	CS	1310A21421-0	A02

CHANGE by *Jimmy song* 2-Mar-2007

SHEET 56 OF 61



15" only

ODD Extension Board

INVENTEC

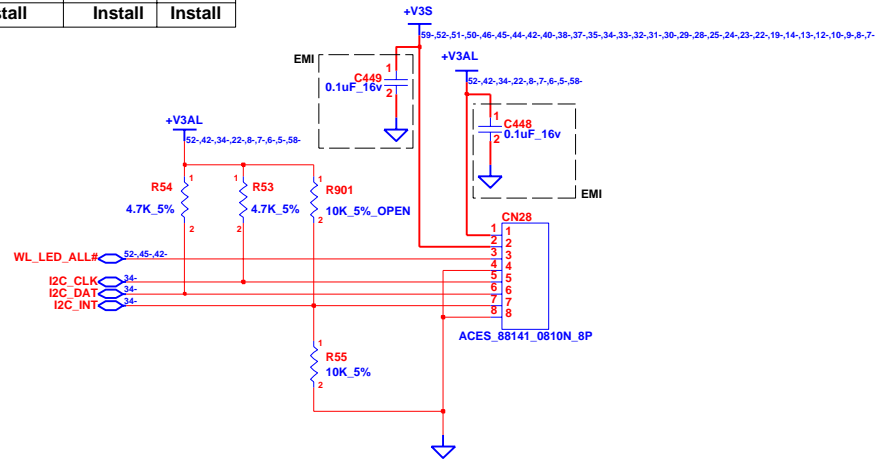
TITLE			
TT1.0			
ODD extension board			
SIZE	CODE	DOC. NUMBER	REV
A3	CS	1310A21421-0	A02
CHANGE by		SHEET	
Jimmy song		OF	
2-Mar-2007		61	
		8	

CHANGE by Jimmy song 2-Mar-2007

SHEET 57 OF 61

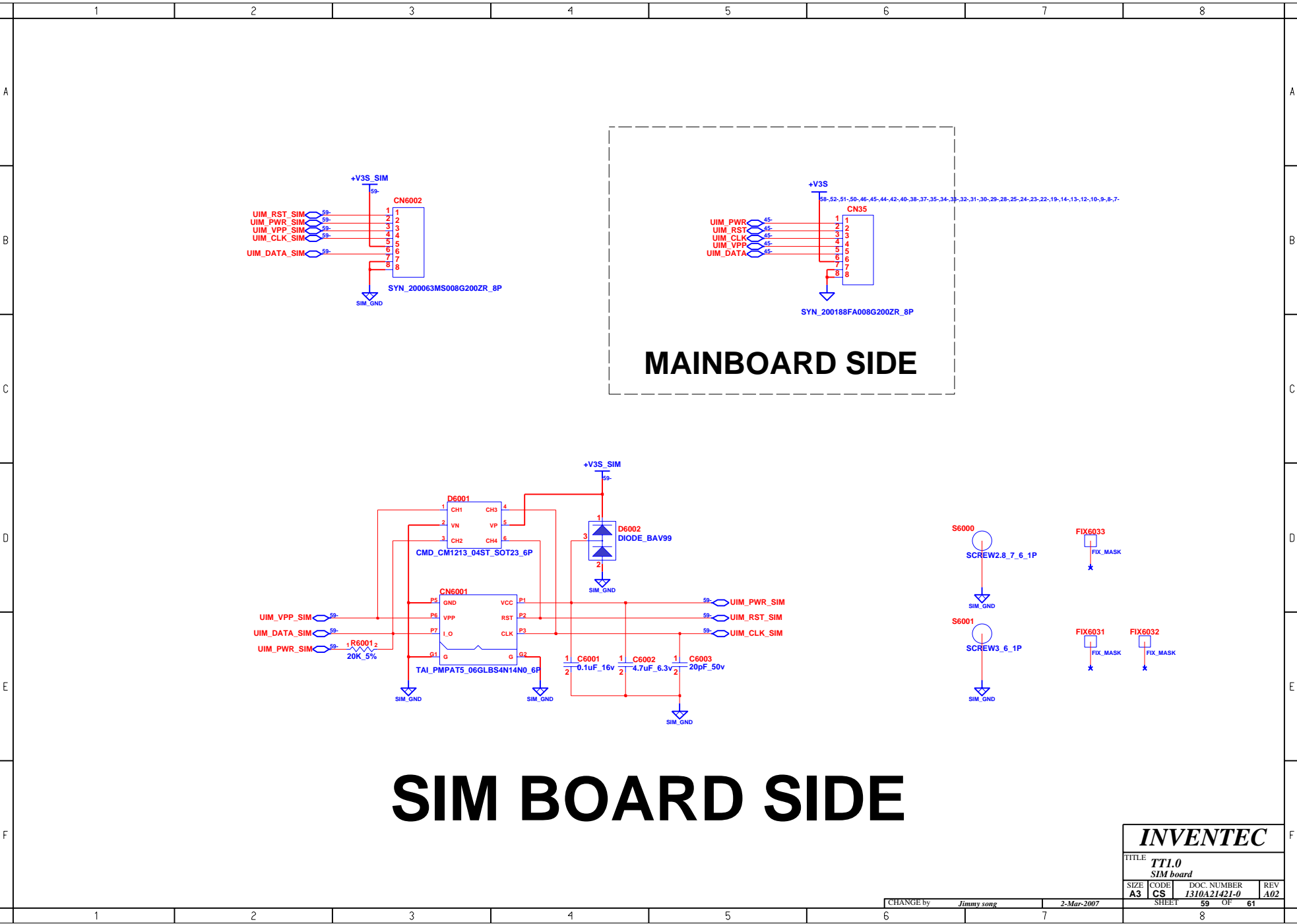
8

	FF+WWAN	DF	FF
CN28,C448,C449	Install	uninstall	Install
R53,R54,R55	Install	Install	Install



INVENTEC

TITLE TTI.0			
SW/B connector			
SIZE A3	CODE CS	DOC. NUMBER 1310A21421-0	REV A02
CHANGE by <i>Jimmy song</i>		2-Mar-2007	
SHEET 58		OF 61	



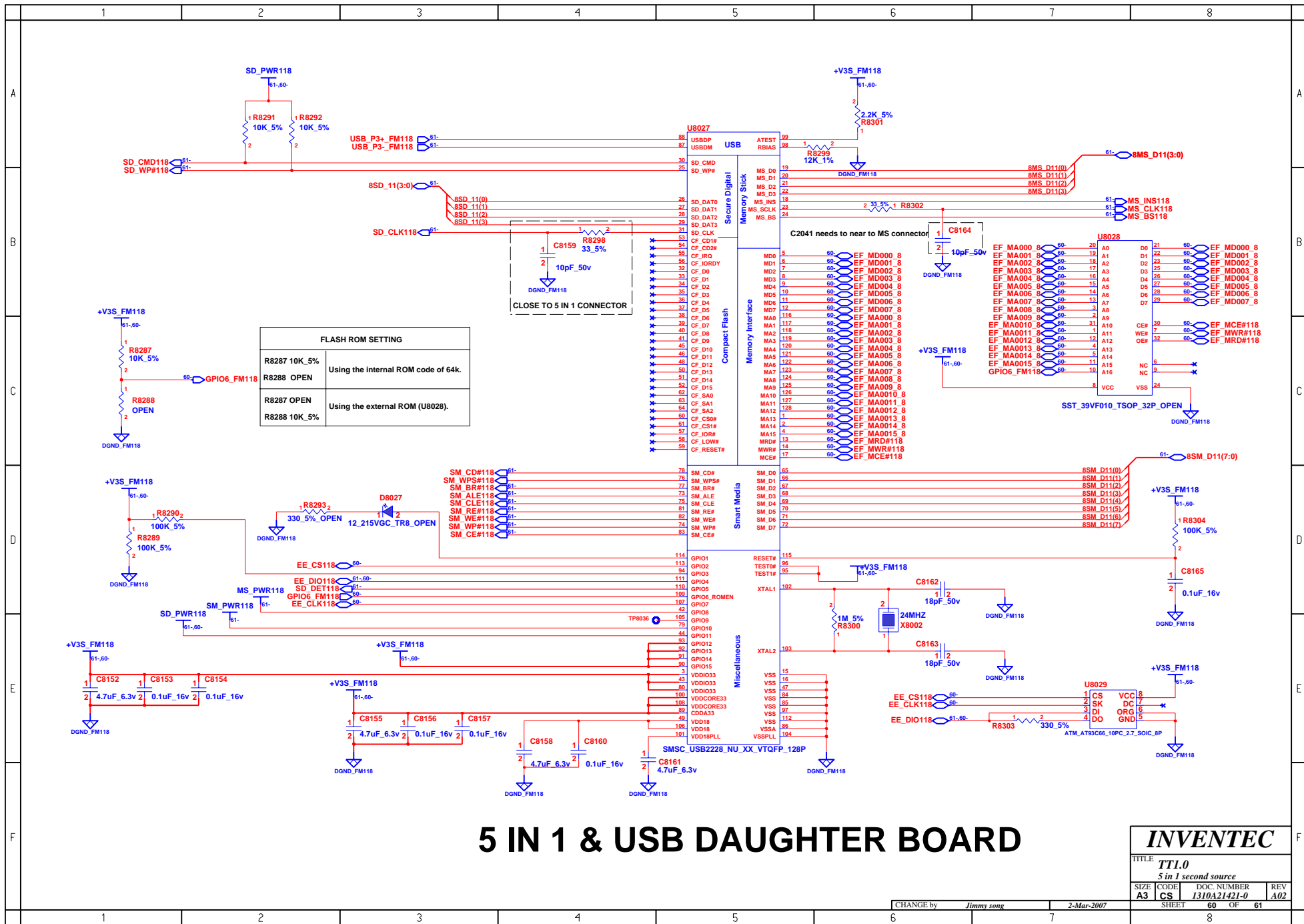
MAINBOARD SIDE

SIM BOARD SIDE

INVENTEC

TITLE
TT1.0
 SIM board

SIZE A3	CODE CS	DOC. NUMBER 1310A21421-0	REV A02
-------------------	-------------------	------------------------------------	-------------------

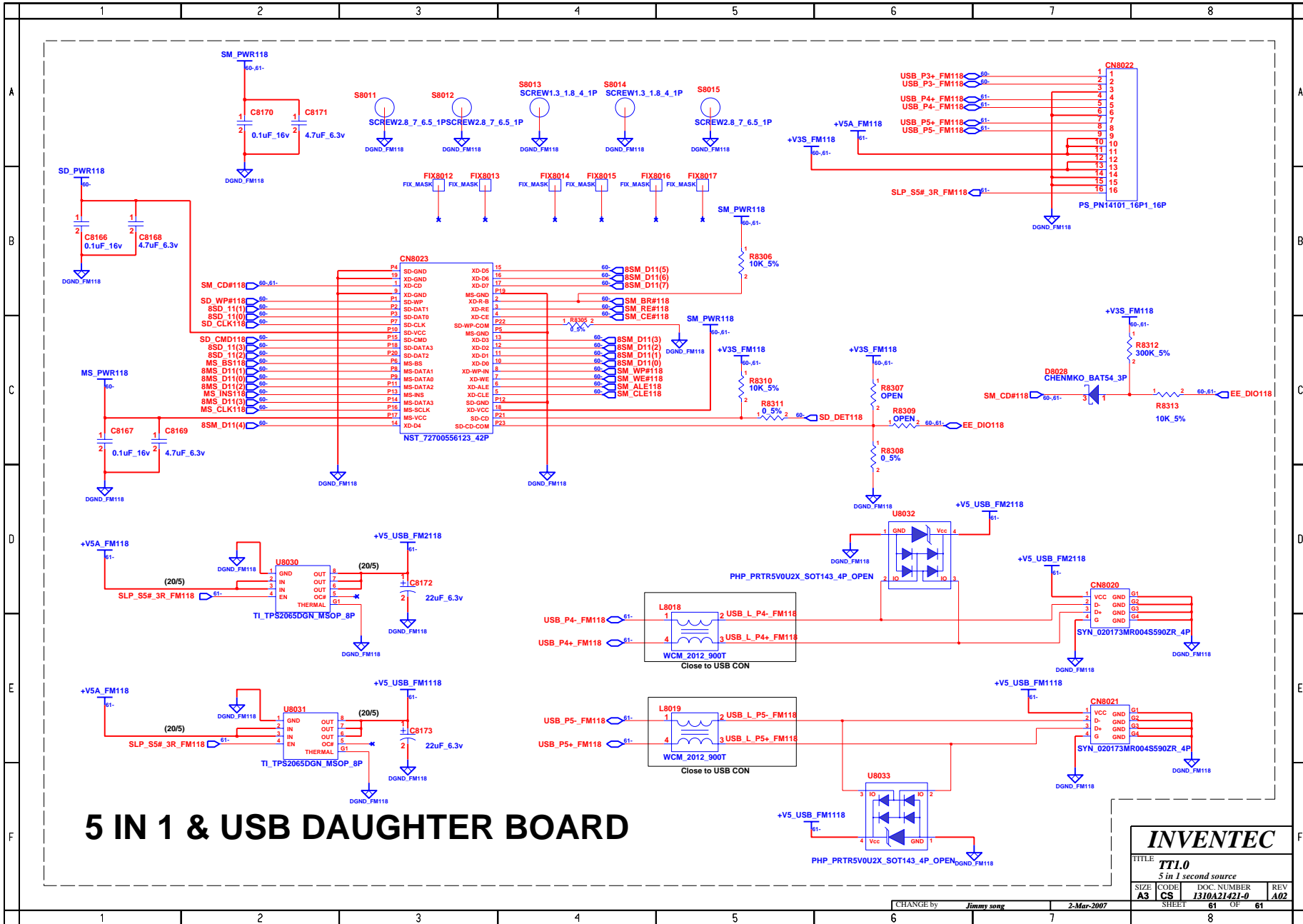


5 IN 1 & USB DAUGHTER BOARD

INVENTEC

TITLE			
TT1.0			
5 in 1 second source			
SIZE	CODE	DOC. NUMBER	REV
A3	CS	1310A21421-0	A02
CHANGE by		SHEET	
Jimmy song		60 OF 61	

2-Mar-2007



5 IN 1 & USB DAUGHTER BOARD

INVENTEC

TITLE: **TT1.0**
 5 in 1 second source

SIZE	CODE	DOC. NUMBER	REV
A3	CS	1310A21421-0	A02