

AMD-UMA

Volna

SI Build Final

2008/12/26

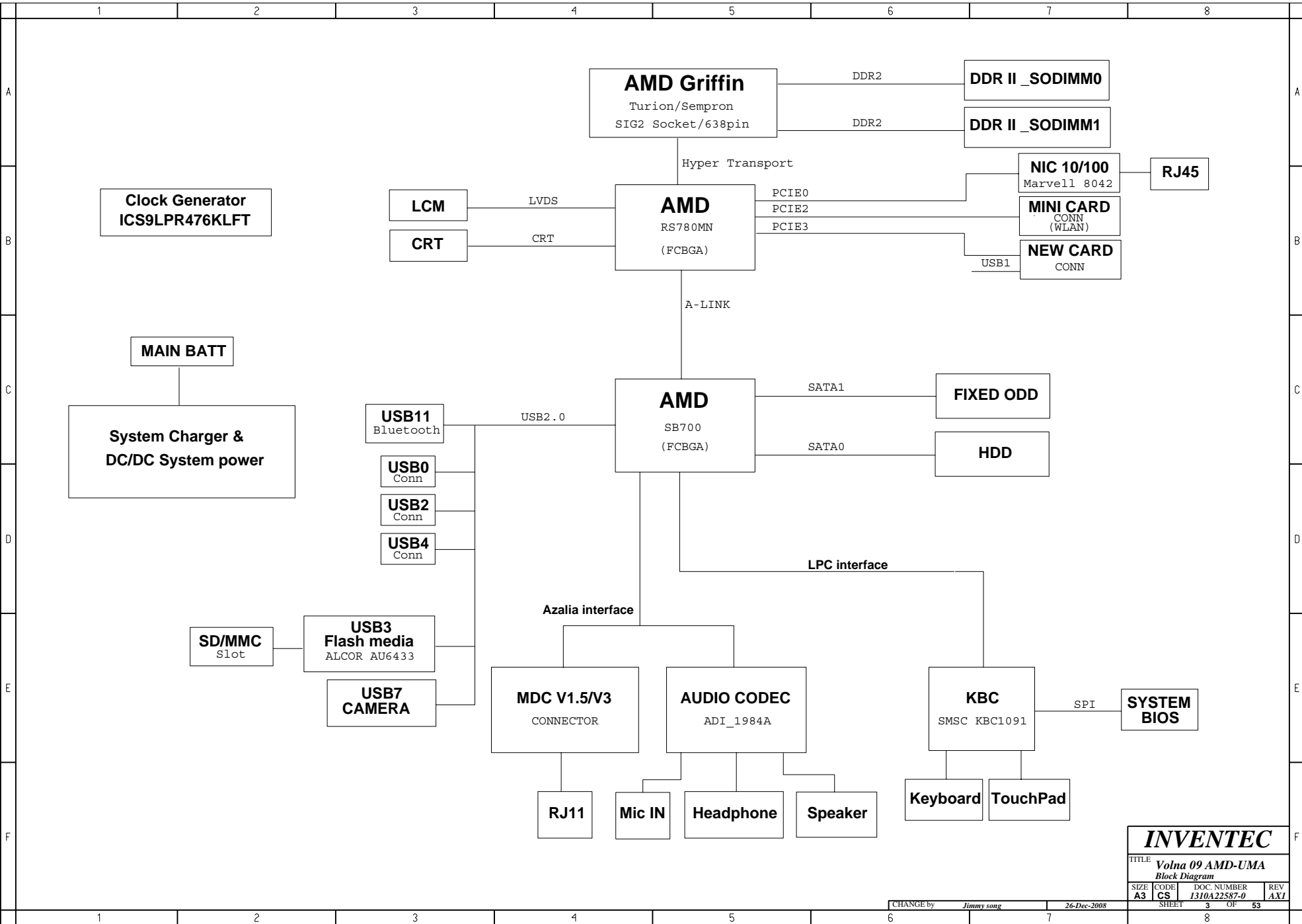
DATE	CHANGE NO.	REV

DRAWER	EE	DATE	POWER	DATE	INVENTEC			
DESIGN					TITLE <i>Volna 09 AMD-UMA</i>			
CHECK								
RESPONSIBLE								
SIZE =	3	VER :			SIZE	CODE	DOC. NUMBER	REV
FILE NAME :	XXXX-XXXXXX-XX				A3	CS	1310A22587-0	AX1
P/N	XXXXXXXXXXXX				SHEET	1	OF	53

TABLE OF CONTENTS

<p>PAGE</p> <p>5- DC& BATTERY CHARGER</p> <p>6- SELECT & BATTERY CONN</p> <p>7- +V5A,+V3A & +V2.5S</p> <p>8- OCP</p> <p>9- +VCC_NB & +V1.2A</p> <p>10- +VCC_CORE</p> <p>11- POWER</p> <p>12- DDR2 POWER</p> <p>13- POWER(SLEEP)</p> <p>14- POWER(SEQUENCE)</p>	<p>PAGE</p> <p>15- CLOCK_GENERATOR</p> <p>16- CPU-1</p> <p>17- CPU-2</p> <p>18- CPU-3</p> <p>19- CPU-4</p> <p>20- THERMAL&FAN CONTROLLER</p> <p>21- RS780MN-1</p> <p>22- RS780MN-2</p> <p>23- RS780MN-3</p> <p>24- RS780MN-4</p> <p>25- DDR2-DIMM0</p> <p>26- DDR2-DIMM1</p> <p>27- DDR2-DAMPING</p> <p>28- CRT</p> <p>29- LCD CONN</p> <p>30- SB700-1</p> <p>31- SB700-2</p> <p>32- SB700-3</p> <p>33- SB700-4</p> <p>34- KBC</p>	<p>PAGE</p> <p>35- KB & TP CONN</p> <p>36- SPI</p> <p>37- HDD & ODD CONN</p> <p>38- USB CONN</p> <p>39- USB WEBCAM CONN</p> <p>40- EMI</p> <p>41- AZALIA CODEC</p> <p>42- Earphone & MIC JACK</p> <p>43- AUDIO AMP & HP JACK</p> <p>44- MDC CNTR</p> <p>45- NIC 10/100- CONTROLLER</p> <p>46- NIC 10/100- RJ45 CONN</p> <p>47- MINICARD & BT CONN</p> <p>48- EXPRESS CARD</p> <p>49- FLASH MEDIA CARD</p> <p>50- BUTTON & LED</p> <p>51- SCREW</p> <p>52- ODD Extention Board</p> <p>53- SWITCH Board</p>
---	---	--

INVENTEC			
TITLE <i>Volna 09 AMD-UMA</i>			
Table Of Content			
SIZE A3	CODE CS	DOC. NUMBER <i>1310A22587-0</i>	REV AX1
CHANGE by <i>Jimmy song</i>		26-Dec-2008	
SHEET		2	OF 53



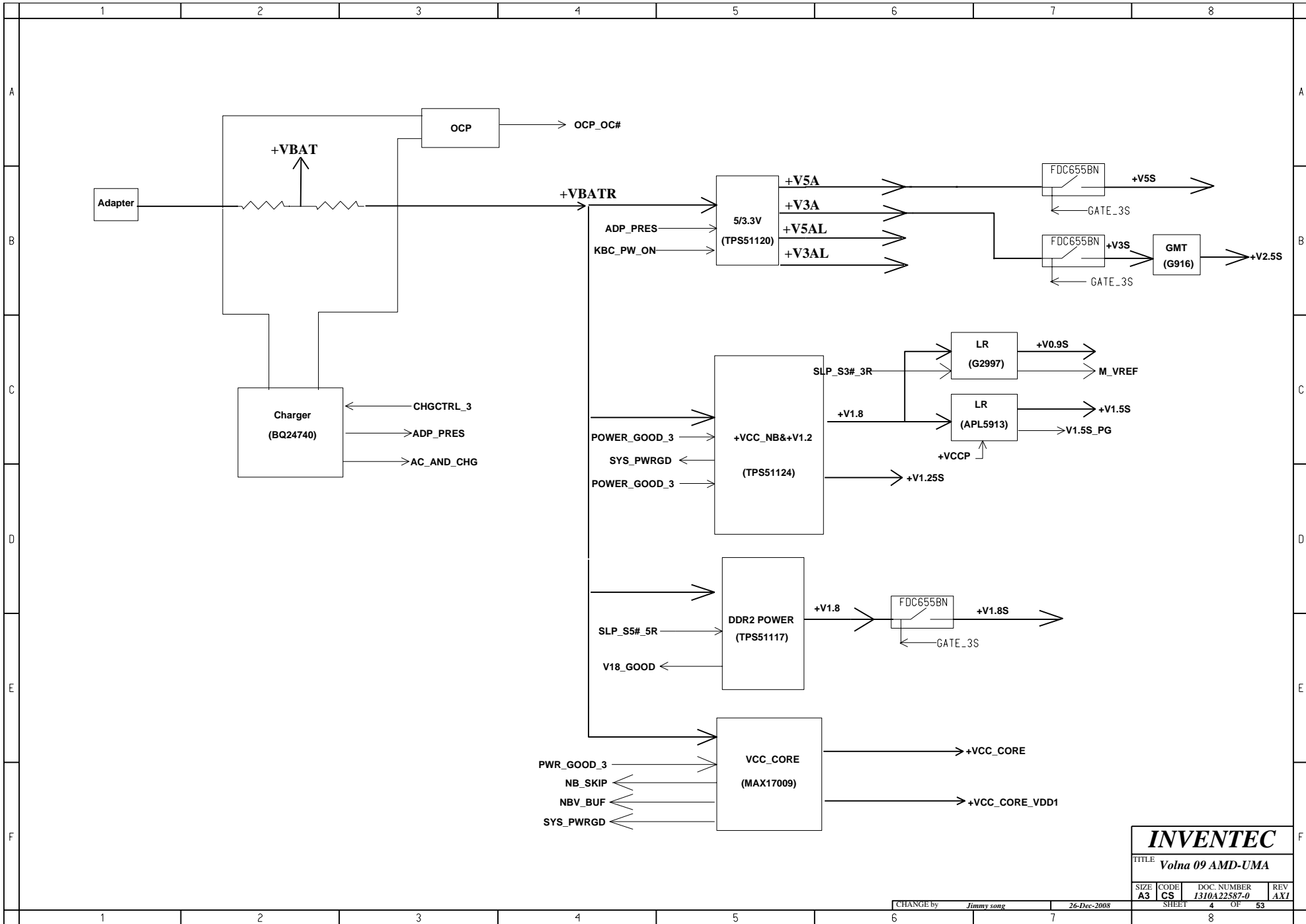
INVENTEC

TITLE
Volna 09 AMD-UMA
Block Diagram

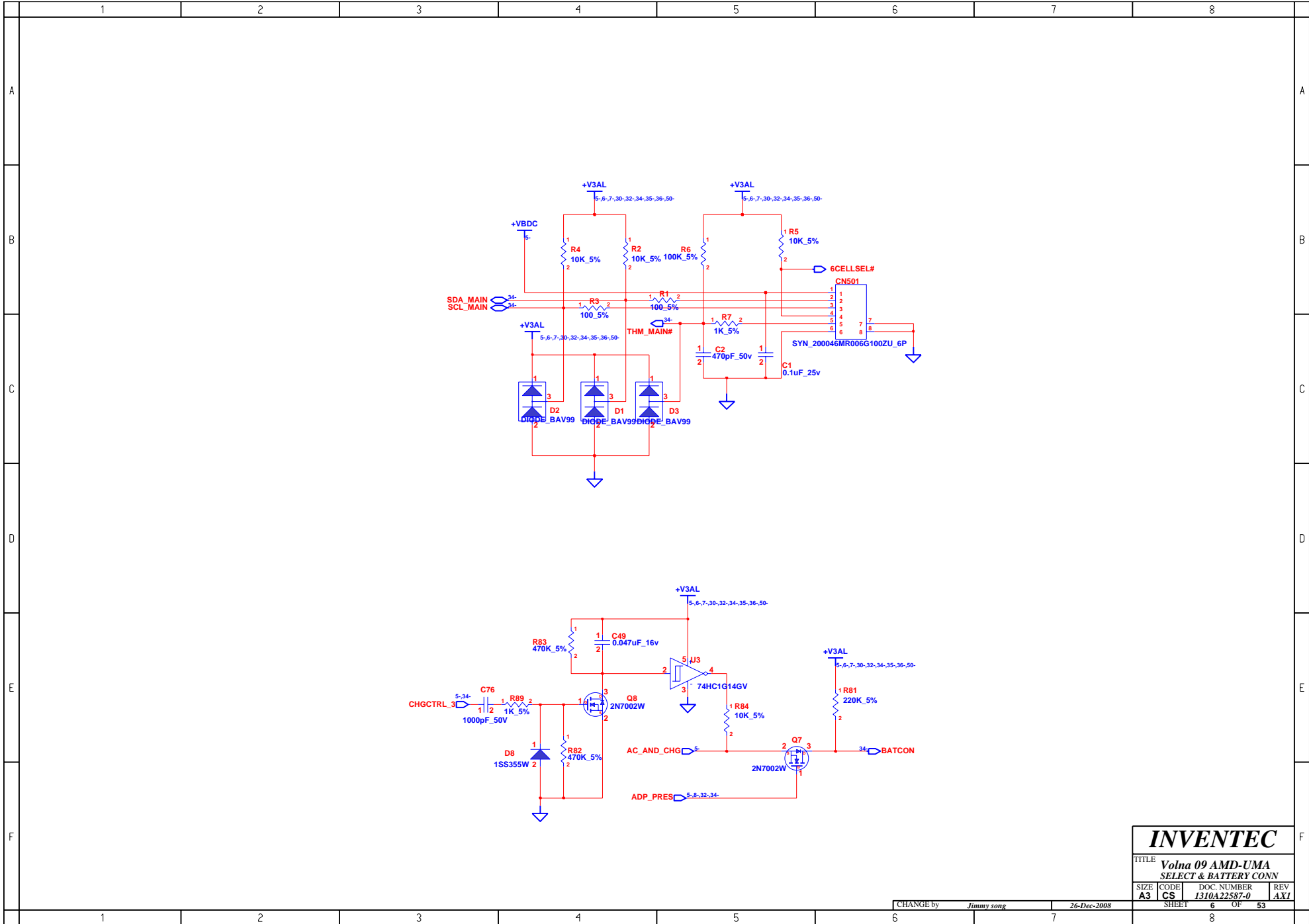
SIZE A3	CODE CS	DOC. NUMBER 1310A22587-0	REV AX1
-------------------	-------------------	------------------------------------	-------------------

CHANGE by *Jimmy song* 26-Dec-2008

SHEET 3 OF 53



INVENTEC			
TITLE <i>Volna 09 AMD-UMA</i>			
SIZE A3	CODE CS	DOC. NUMBER <i>1310A22587-0</i>	REV AX1
CHANGE by <i>Jimmy song</i>		DATE <i>26-Dec-2008</i>	SHEET 4 OF 53



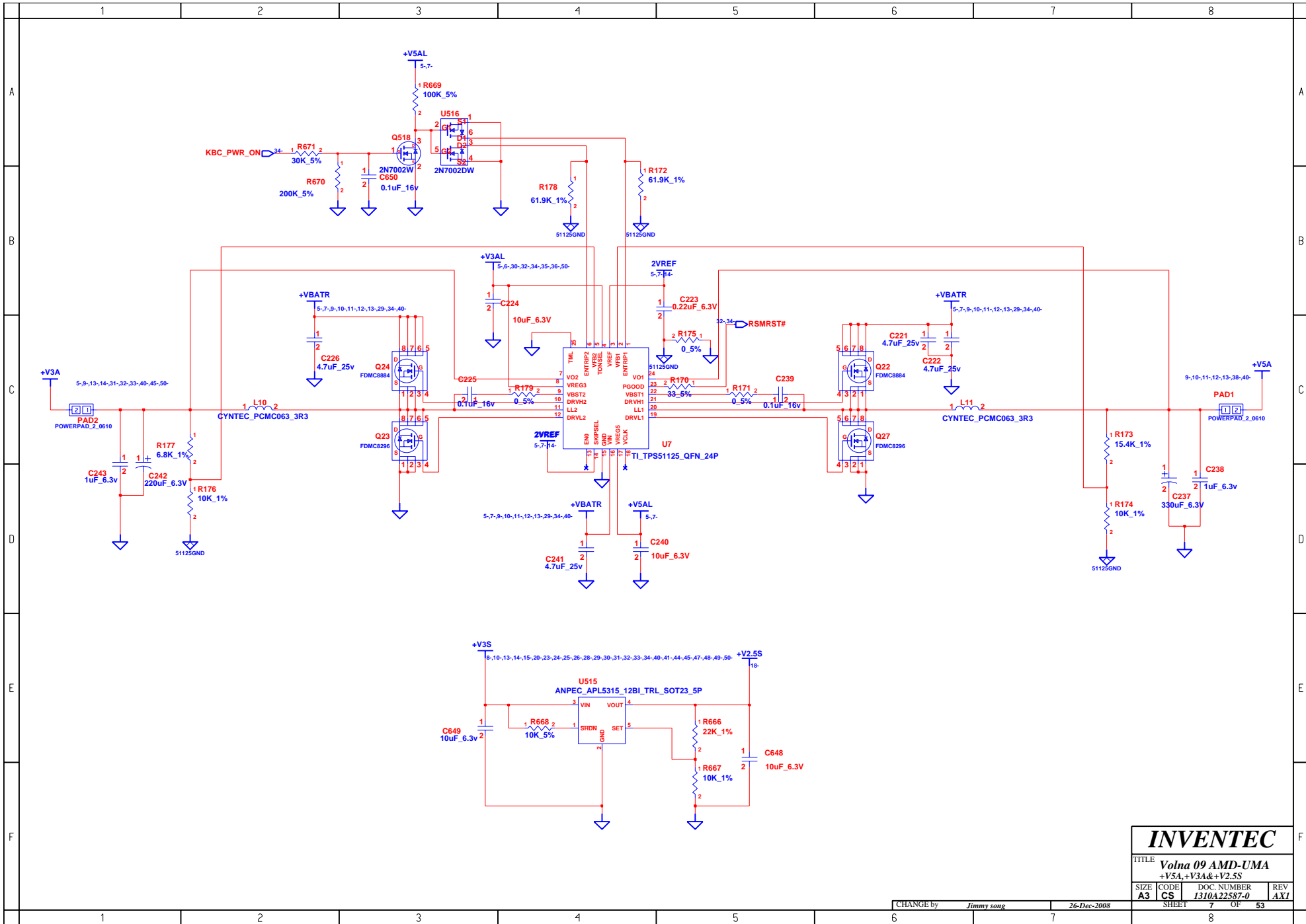
INVENTEC

TITLE
**Volna 09 AMD-UMA
 SELECT & BATTERY CONN**

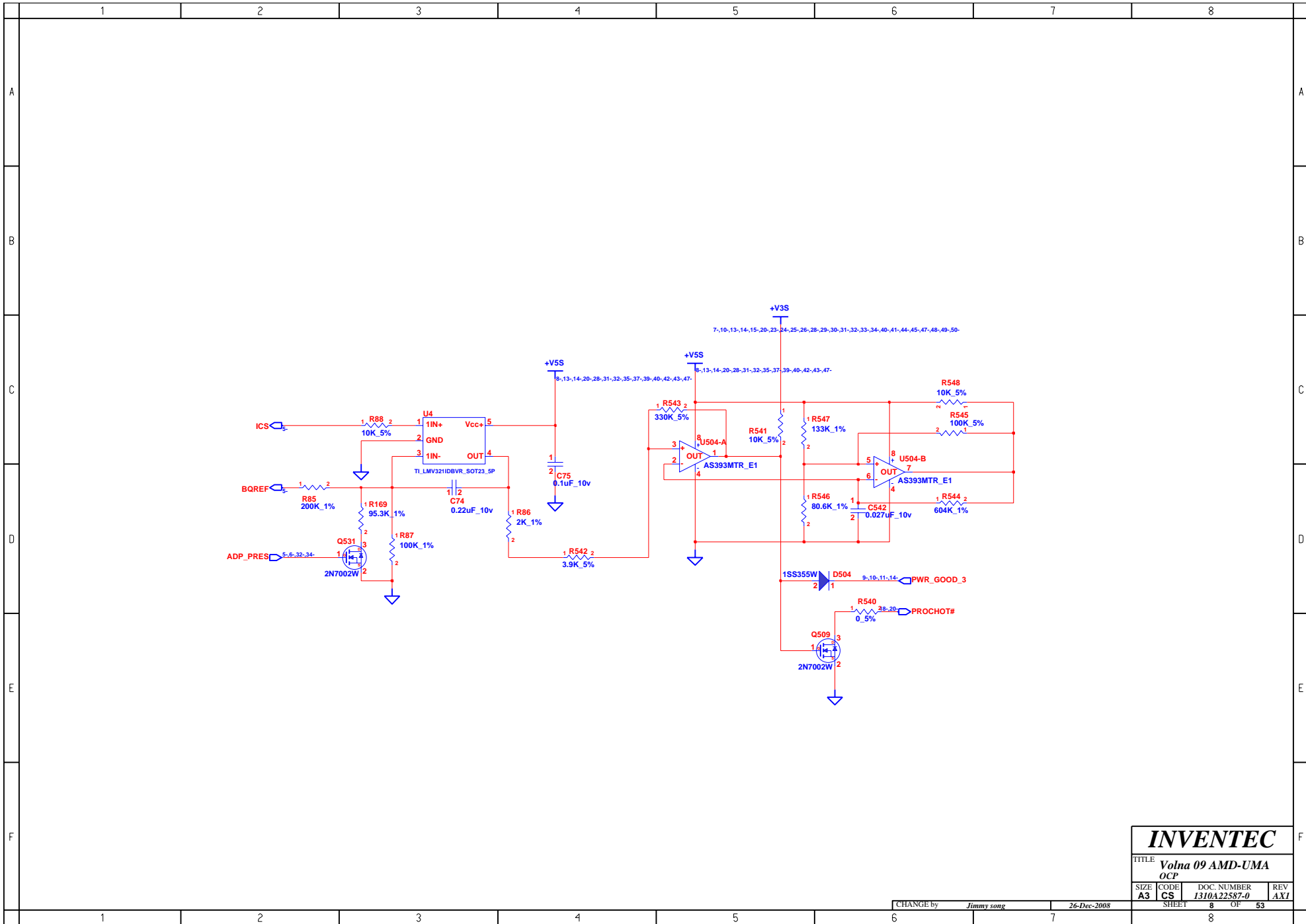
SIZE A3	CODE CS	DOC. NUMBER I310A22587-0	REV AXI
-------------------	-------------------	------------------------------------	-------------------

CHANGE by *Jimmy song* 26-Dec-2008

SHEET 6 OF 53



INVENTEC			
TITLE			
Volna 09 AMD-UMA			
+V5A,+V3A&+V2.5S			
SIZE	CODE	DOC. NUMBER	REV
A3	CS	1310A22587-0	AXI
CHANGE by		26-Dec-2008	
Jimmy song		SHEET 7 OF 53	



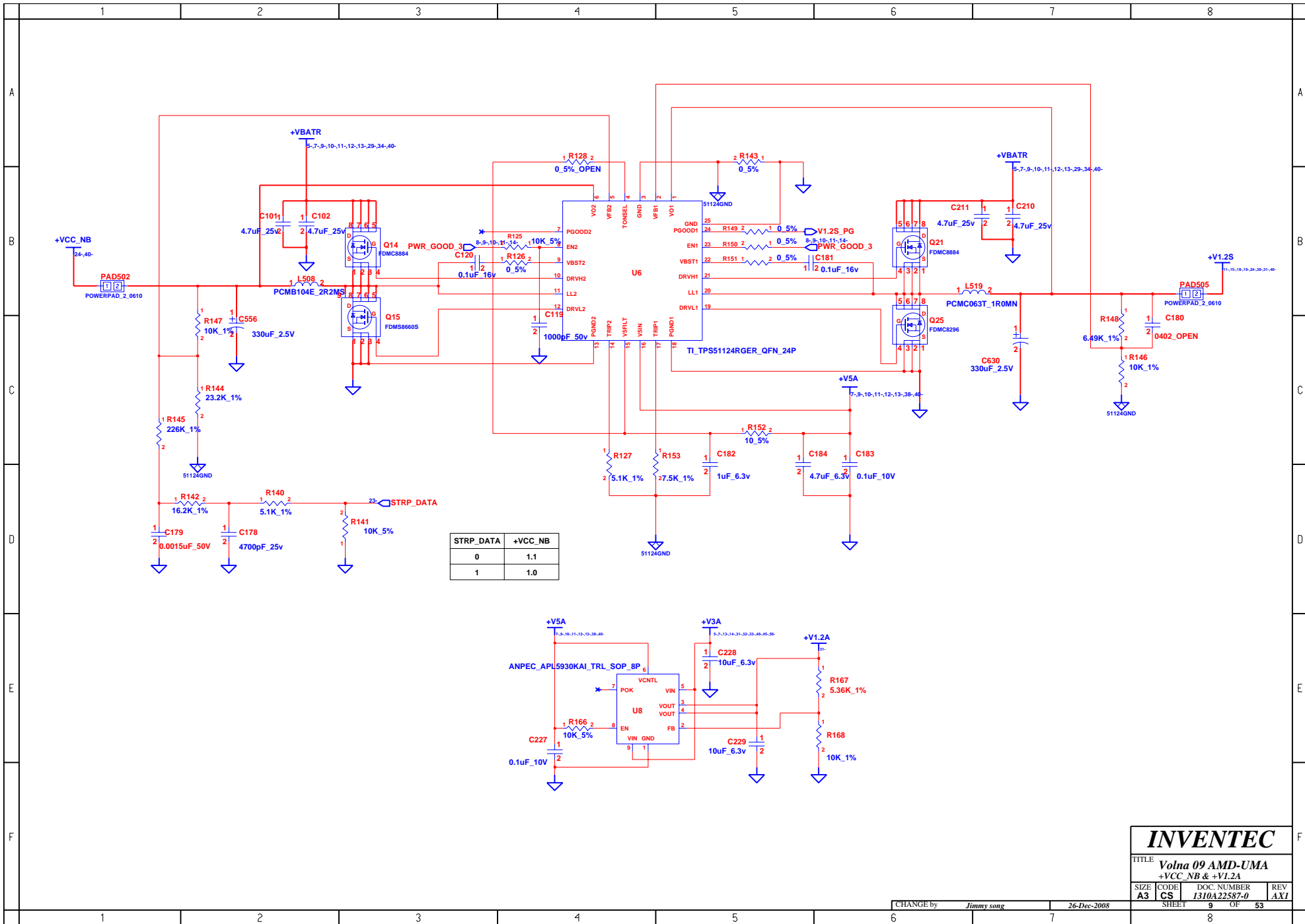
INVENTEC

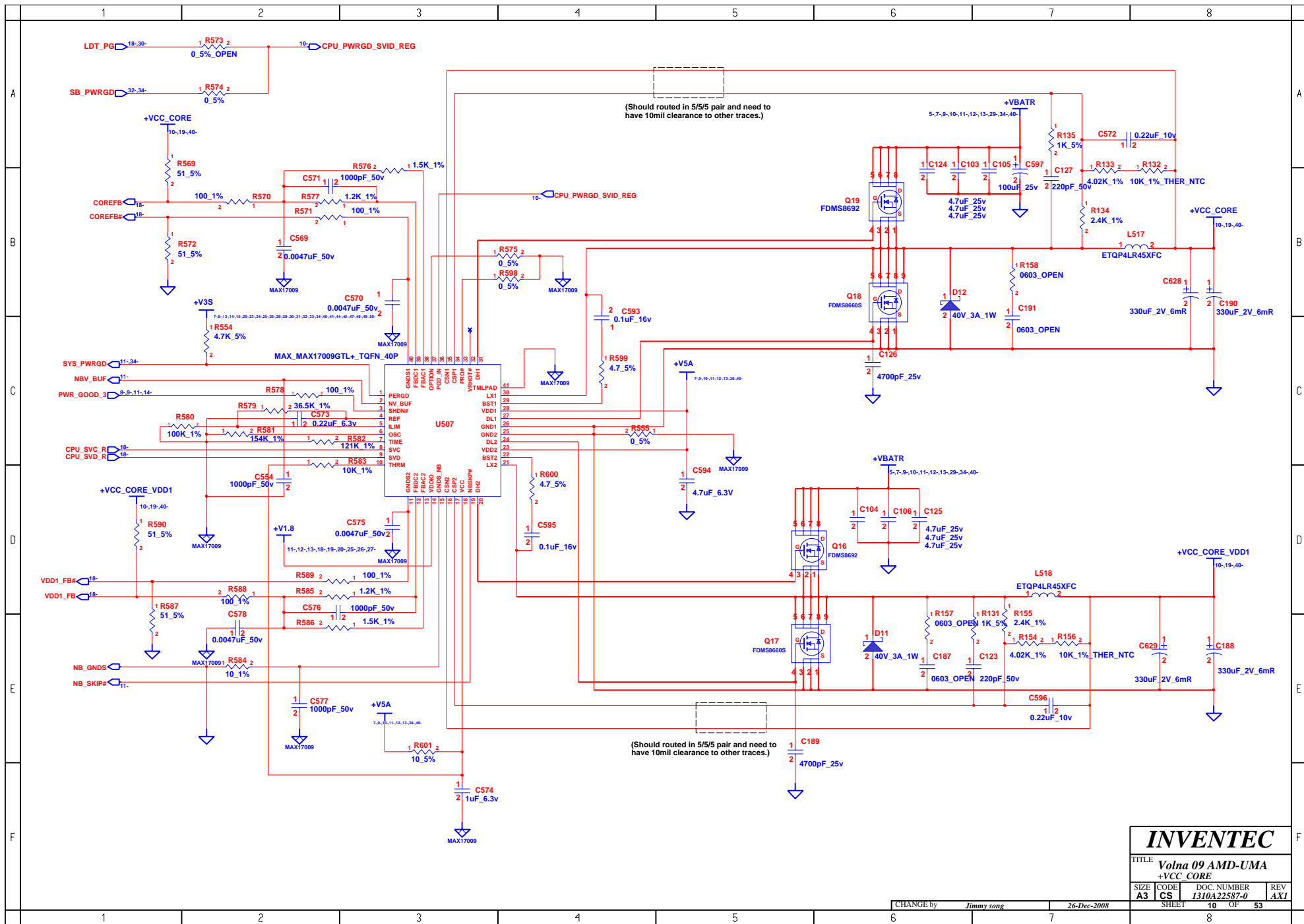
TITLE **Volna 09 AMD-UMA**
OCP

SIZE	CODE	DOC. NUMBER	REV
A3	CS	1310A22587-0	AX1

CHANGE by *Jimmy song* 26-Dec-2008

SHEET	8	OF	53
-------	---	----	----





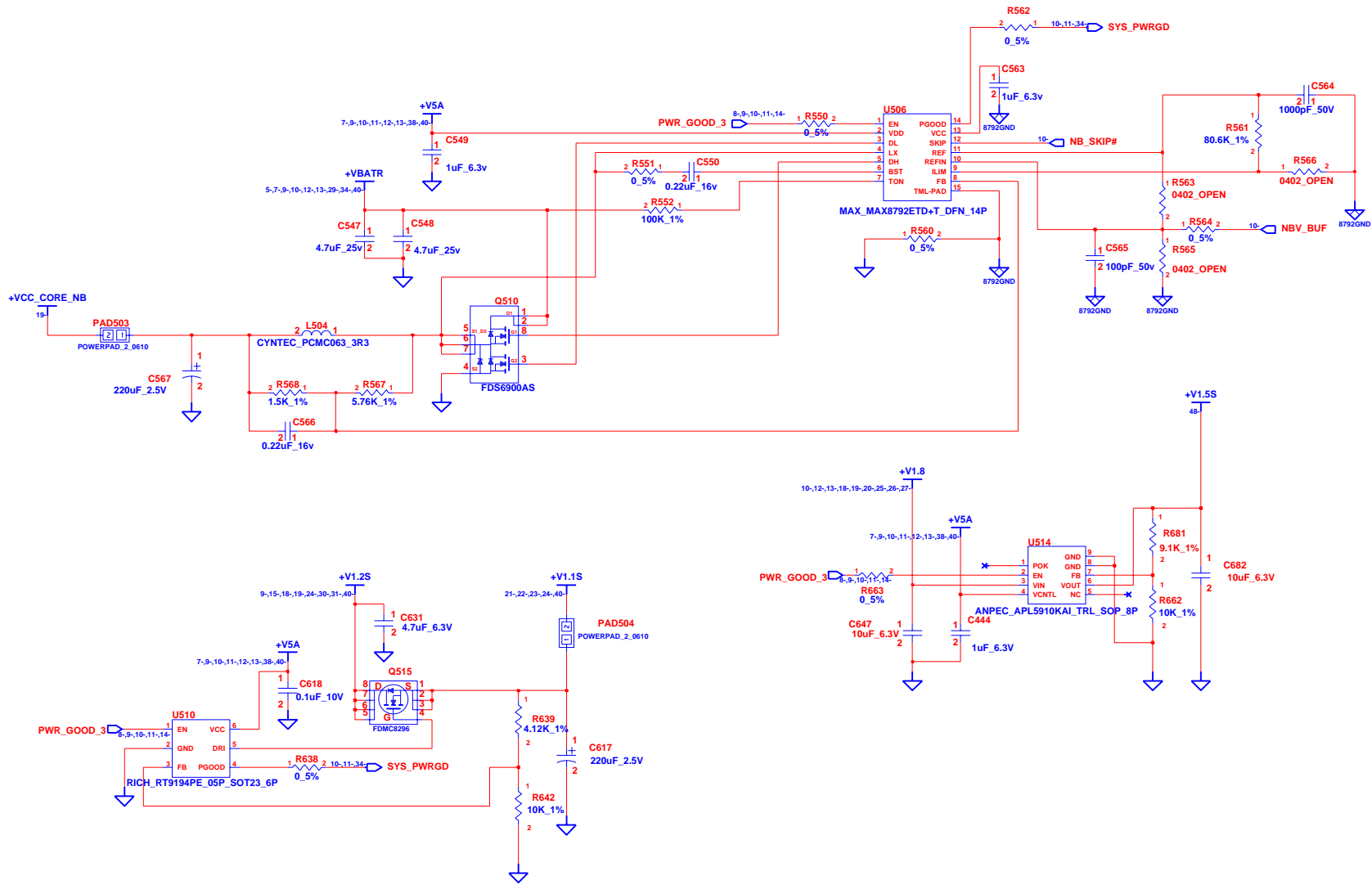
INVENTEC

TITLE
Volna 09 AMD-UMA
+VCC_CORE

SIZE	CODE	DOC. NUMBER	REV
A3	CS	1310A22587-0	AX1

CHANGE by Jimmy song 26-Dec-2008

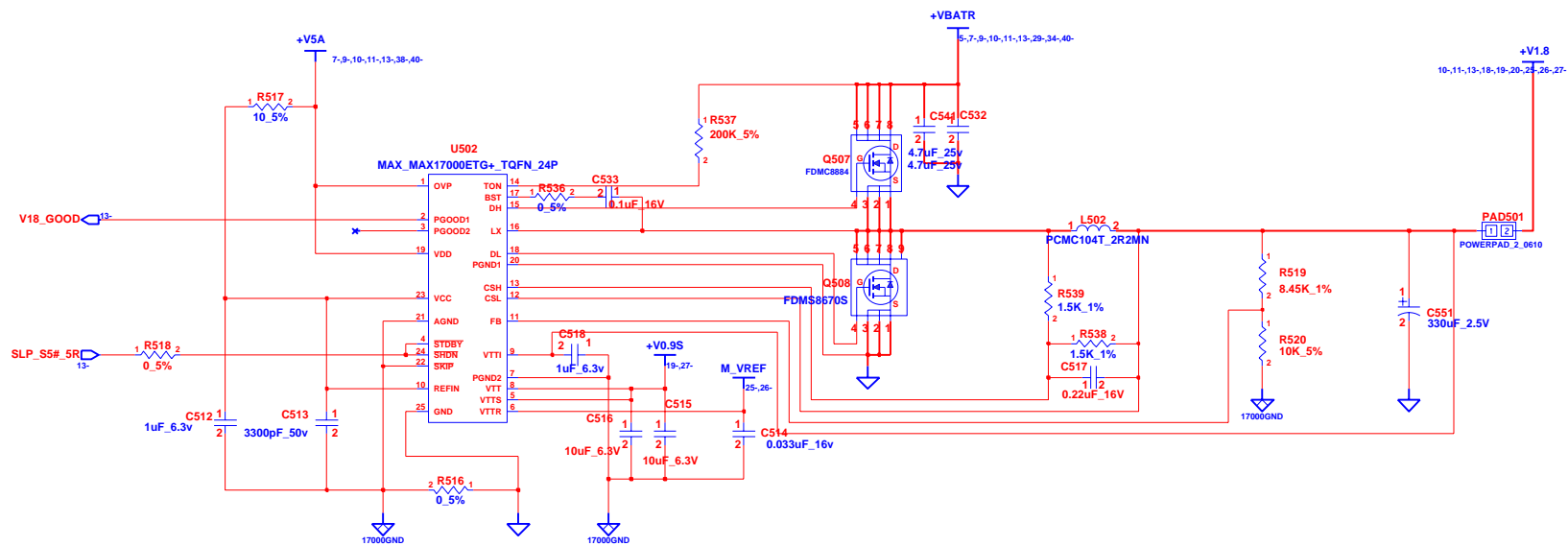
SHEET 10 OF 53



INVENTEC
 TITLE
Volna 09 AMD-UMA
POWER

SIZE	CODE	DOC. NUMBER	REV
A3	CS	1310A22587-0	AX1

CHANGE by Jimmy song 26-Dec-2008



NOTE: DDR2 REGULATOR

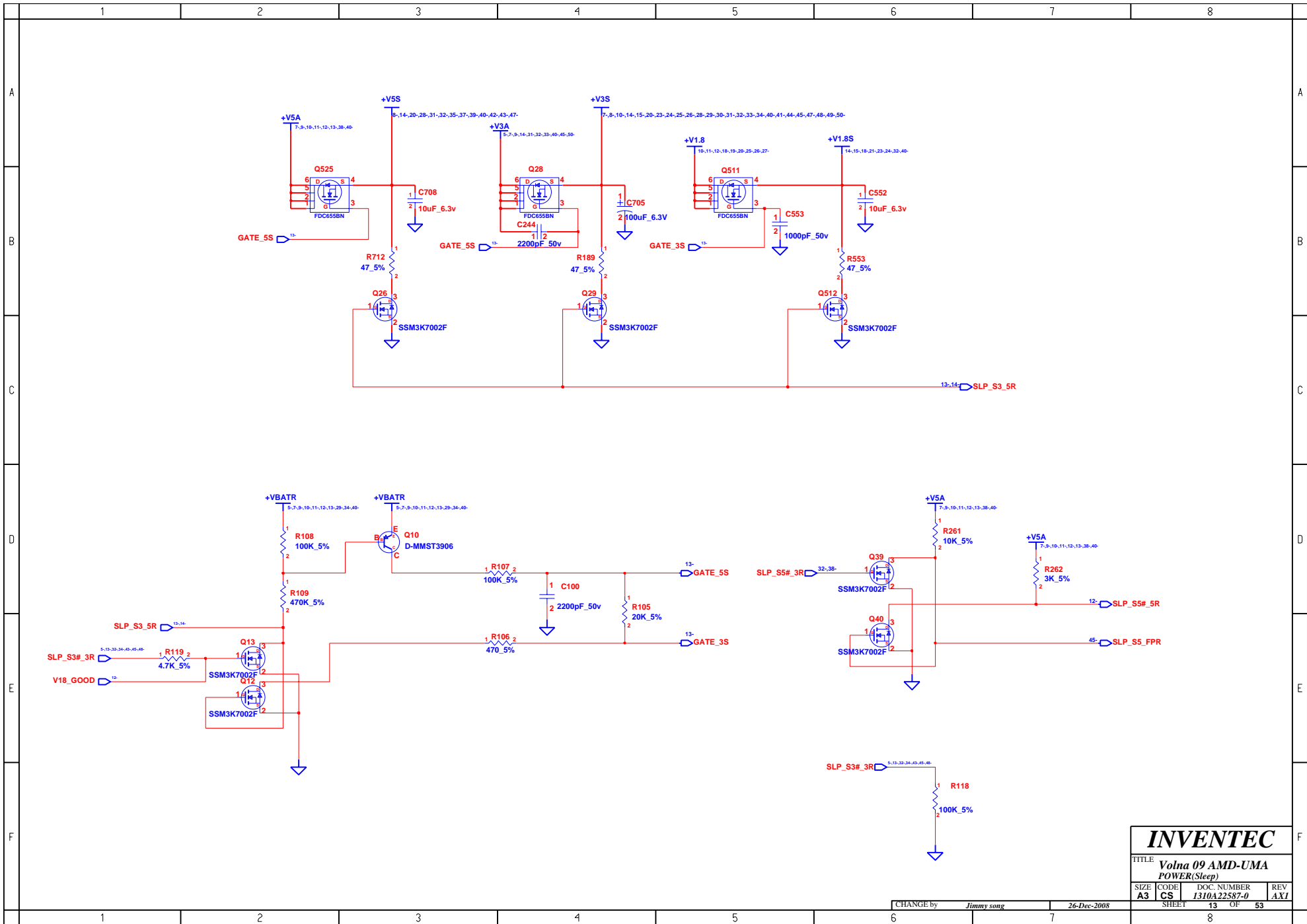
INVENTEC

TITLE
Volna 09 AMD-UMA
DDR2 POWER

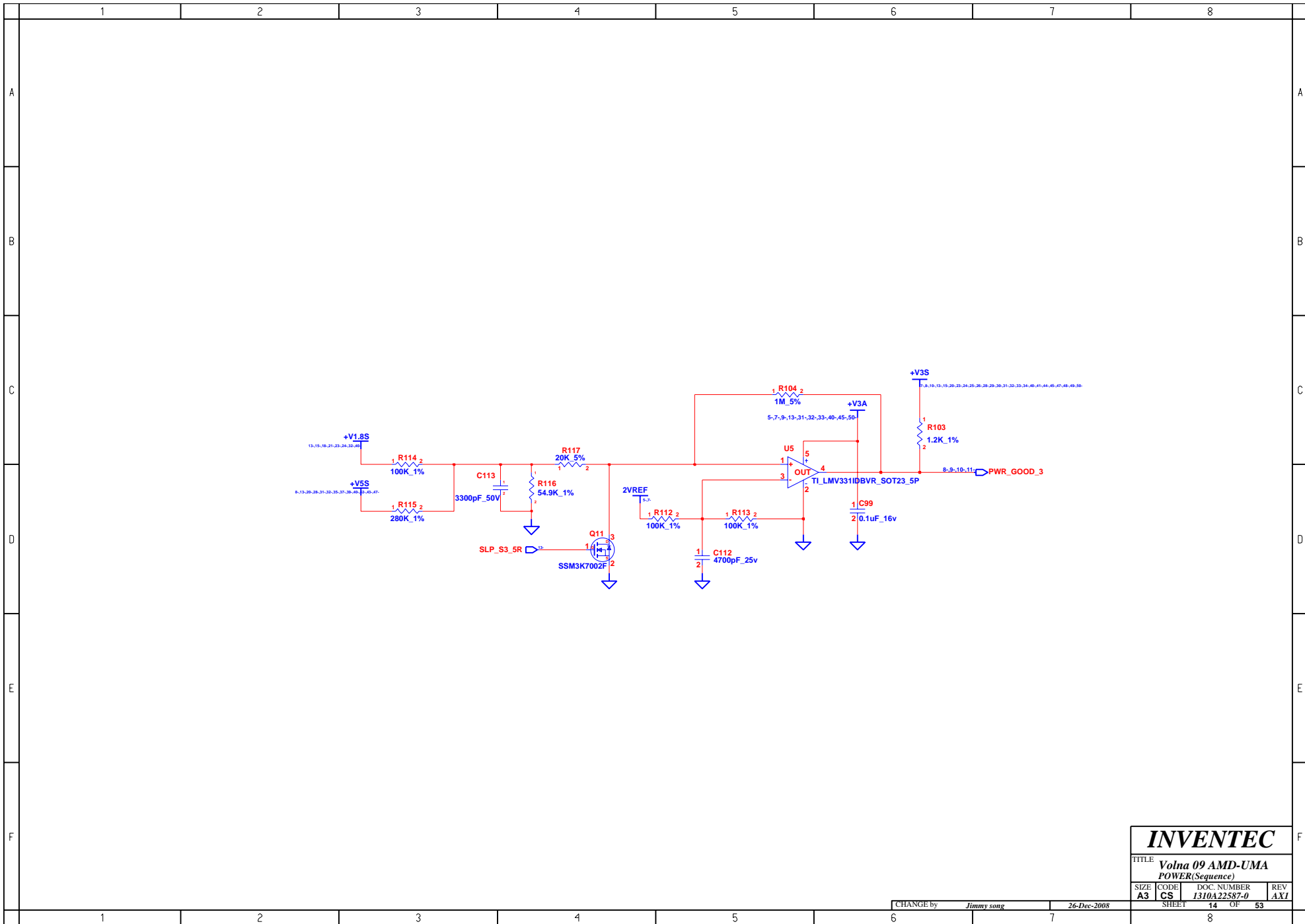
SIZE A3	CODE CS	DOC. NUMBER I310A22587-0	REV AX1
------------	------------	-----------------------------	------------

CHANGE by Jimmy song 26-Dec-2008

SHEET 12 OF 53



INVENTEC			
TITLE Volna 09 AMD-UMA POWER(Sleep)			
SIZE A3	CODE CS	DOC. NUMBER I310A22587-0	REV AXI
CHANGE by <i>Jimmy song</i>		26-Dec-2008	
SHEET 13		OF 53	



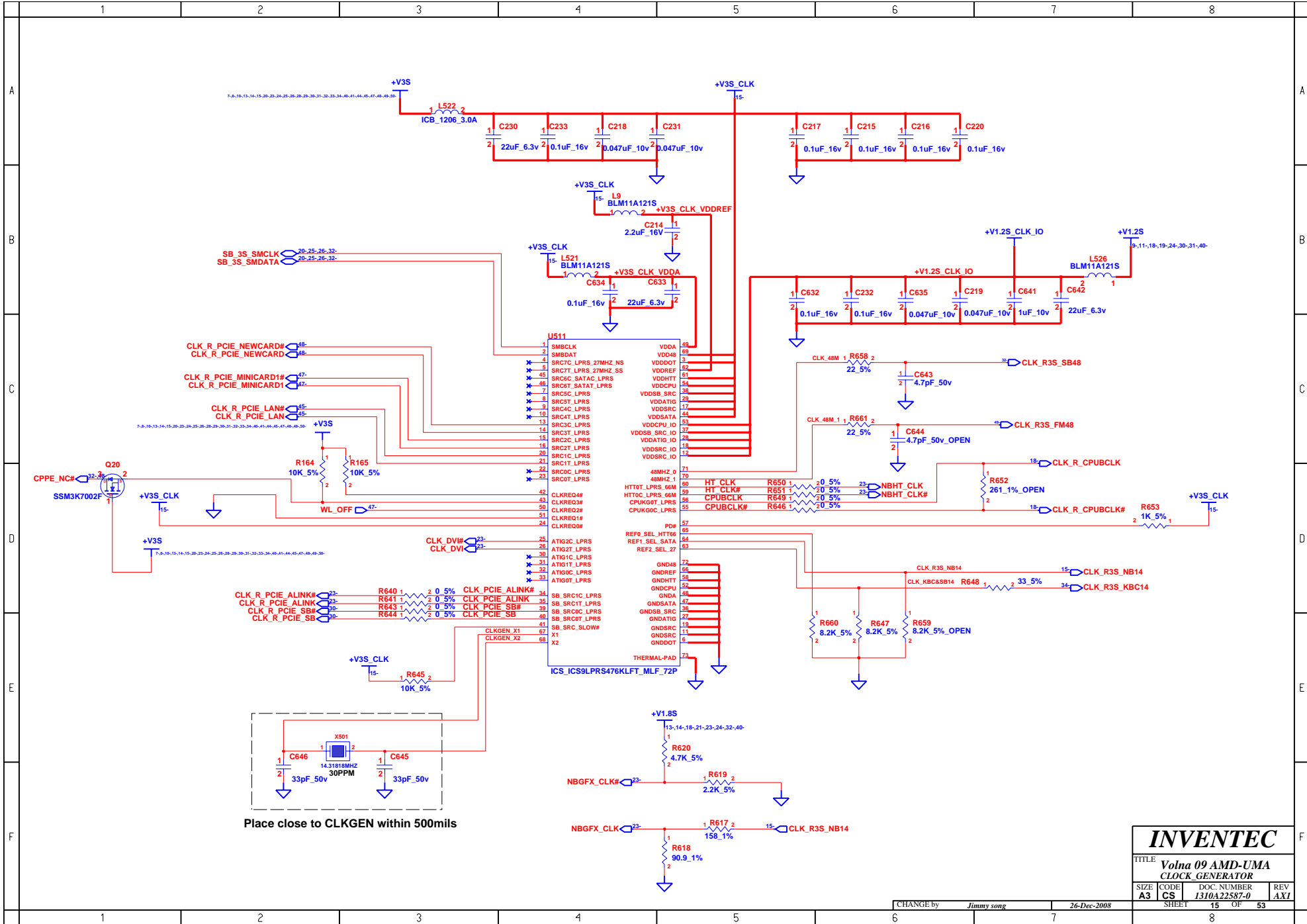
INVENTEC

TITLE **Volna 09 AMD-UMA
POWER(Sequence)**

SIZE	CODE	DOC. NUMBER	REV
A3	CS	1310A22587-0	AX1

CHANGE by Jimmy song 26-Dec-2008

SHEET 14 OF 53

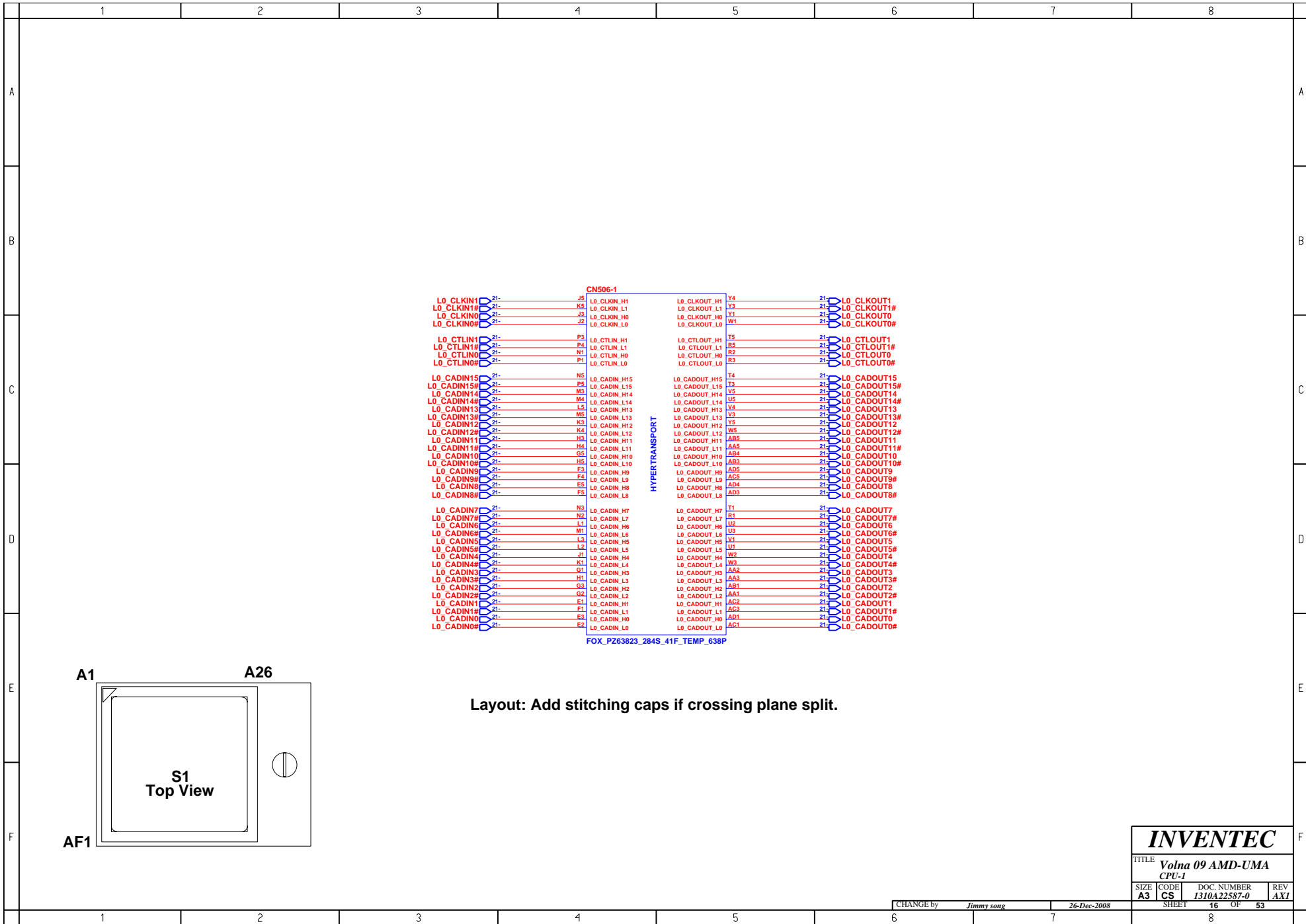


Place close to CLKGEN within 500mils

INVENTEC
 TITLE Volna 09 AMD-UMA
 CLOCK GENERATOR

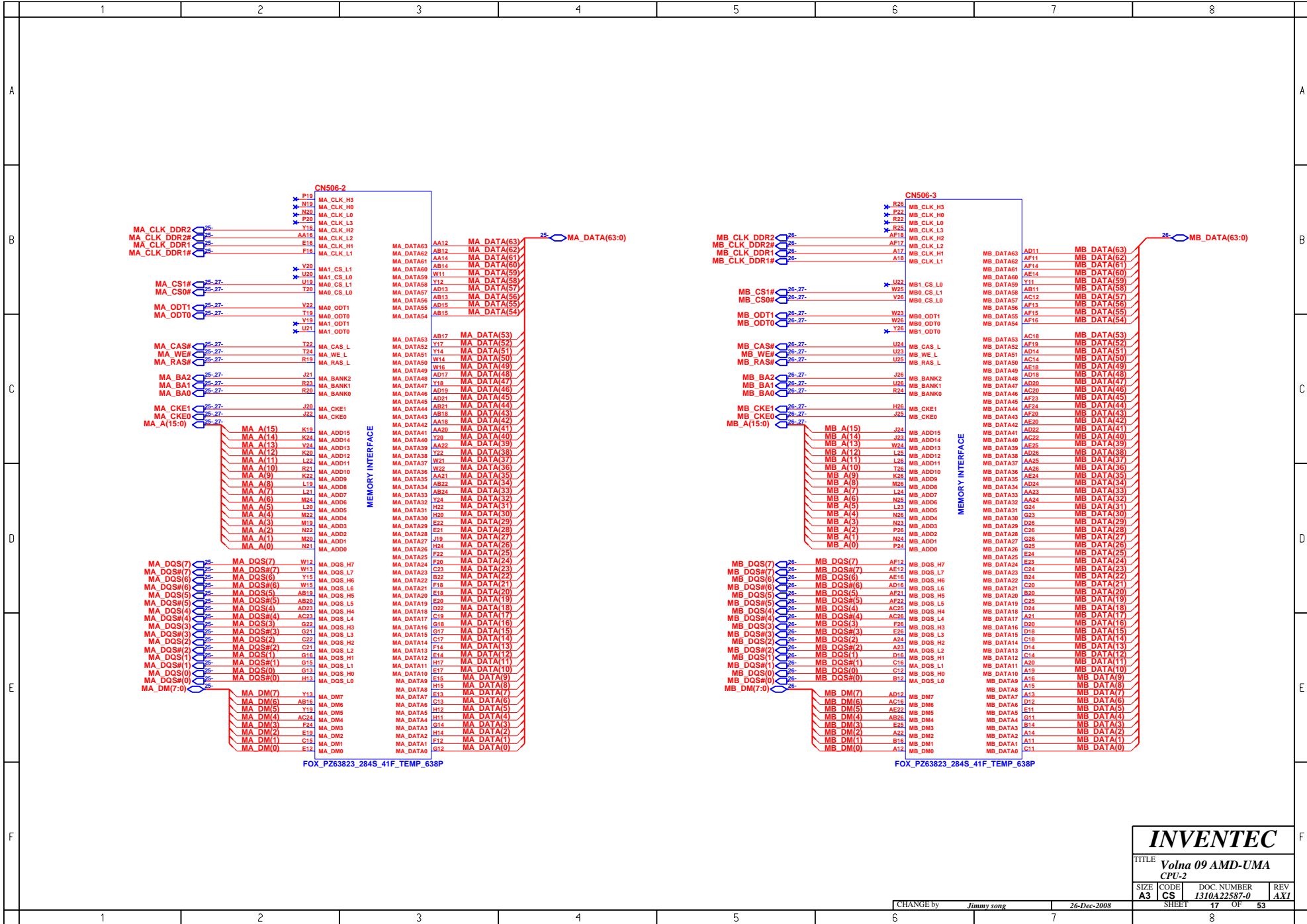
SIZE	CODE	DOC. NUMBER	REV
A3	CS	I310A22587-0	AXI

CHANGE by Jimmy song 26-Dec-2008

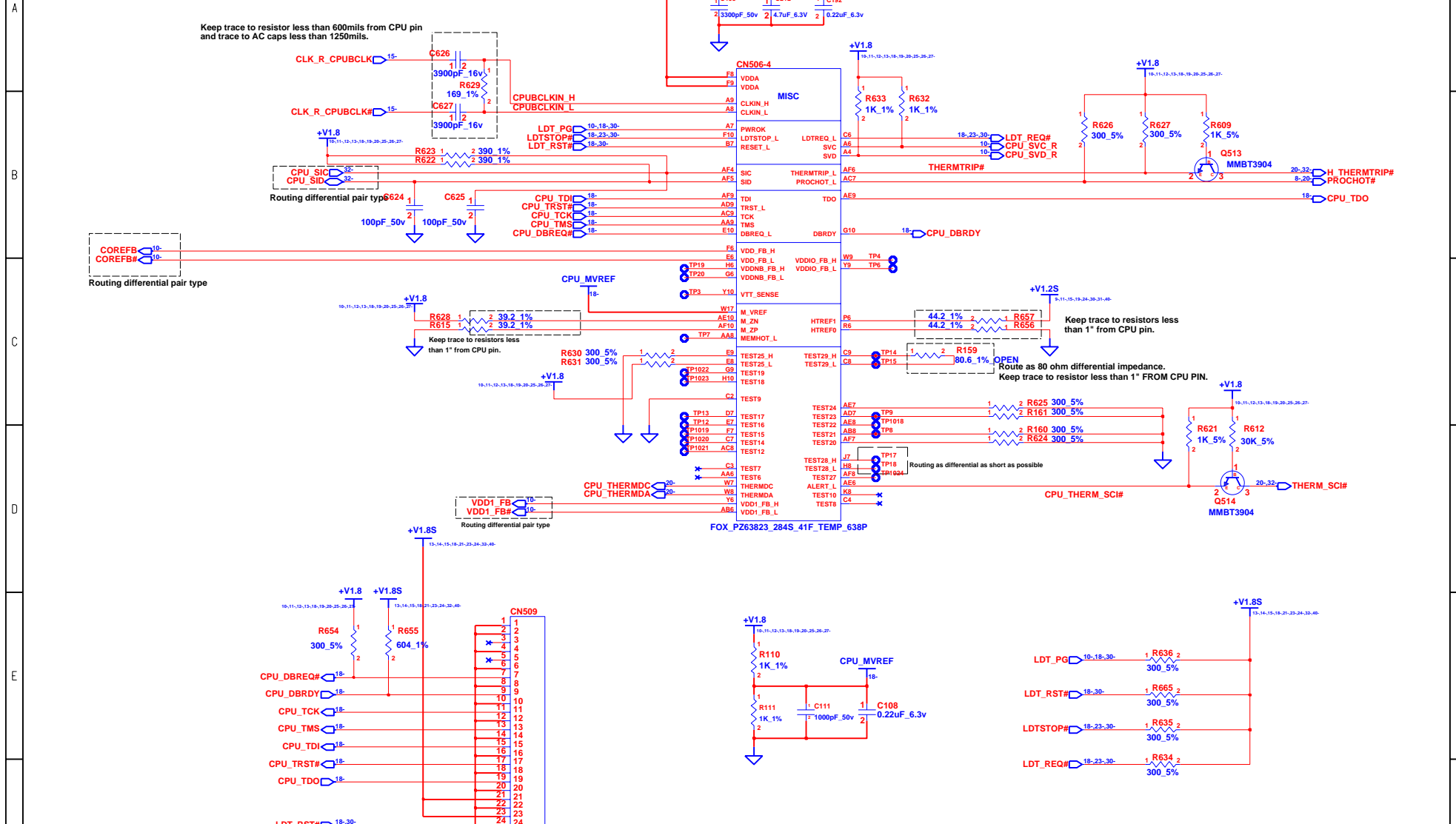


Layout: Add stitching caps if crossing plane split.

INVENTEC			
TITLE Volna 09 AMD-UMA CPU-1			
SIZE A3	CODE CS	DOC. NUMBER 1310A22587-0	REV AXI
CHANGE by <i>Jimmy song</i>		26-Dec-2008	SHEET 16 OF 53



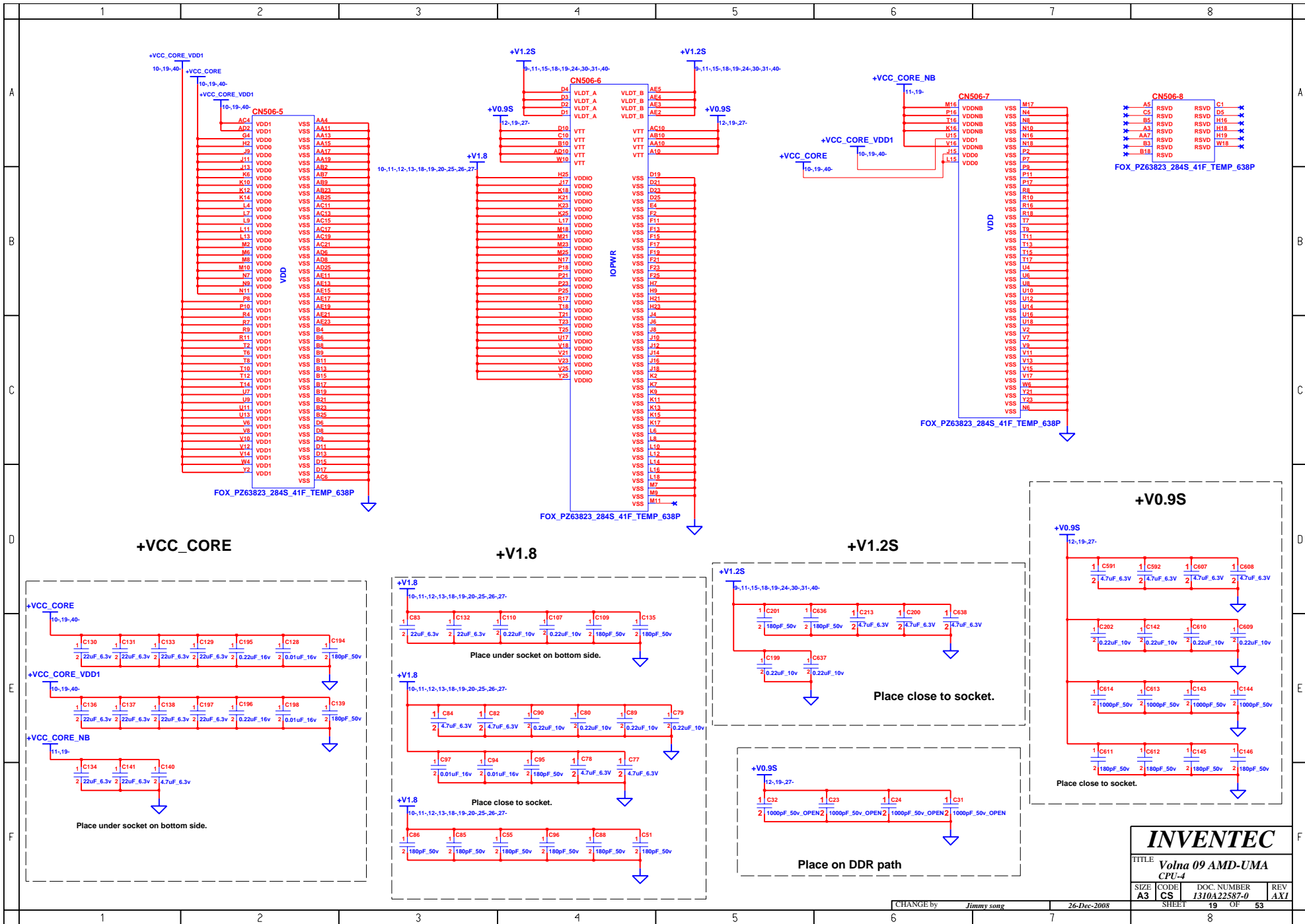
INVENTEC			
TITLE Volna 09 AMD-UMA CPU-2			
SIZE A3	CODE CS	DOC. NUMBER I310A22587-0	REV AX1
CHANGE by <i>Jimmy song</i>		26-Dec-2008	
SHEET 17		OF 53	



HDT Header

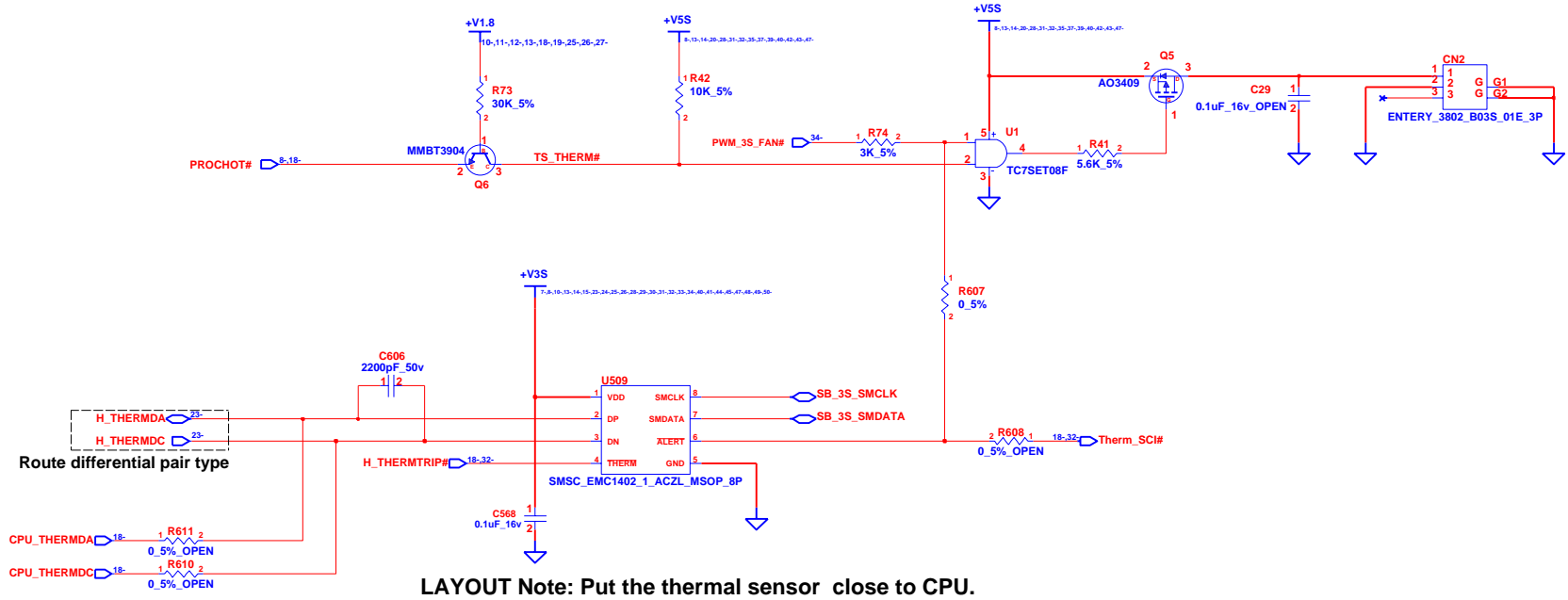
SAMTEC ASP 68200 26P_OPEN

INVENTEC			
TITLE Volna 09 AMD-UMA CPU-3			
SIZE A3	CODE CS	DOC. NUMBER I310A22587-0	REV AX1
CHANGE by <i>Jimmy song</i>		26-Dec-2008	
SHEET 18		OF 53	



INVENTEC			
TITLE Volna 09 AMD-UMA			
CPU-4			
SIZE A3	CODE CS	DOC. NUMBER I310A22587-0	REV AX1
SHEET		OF	
19		53	

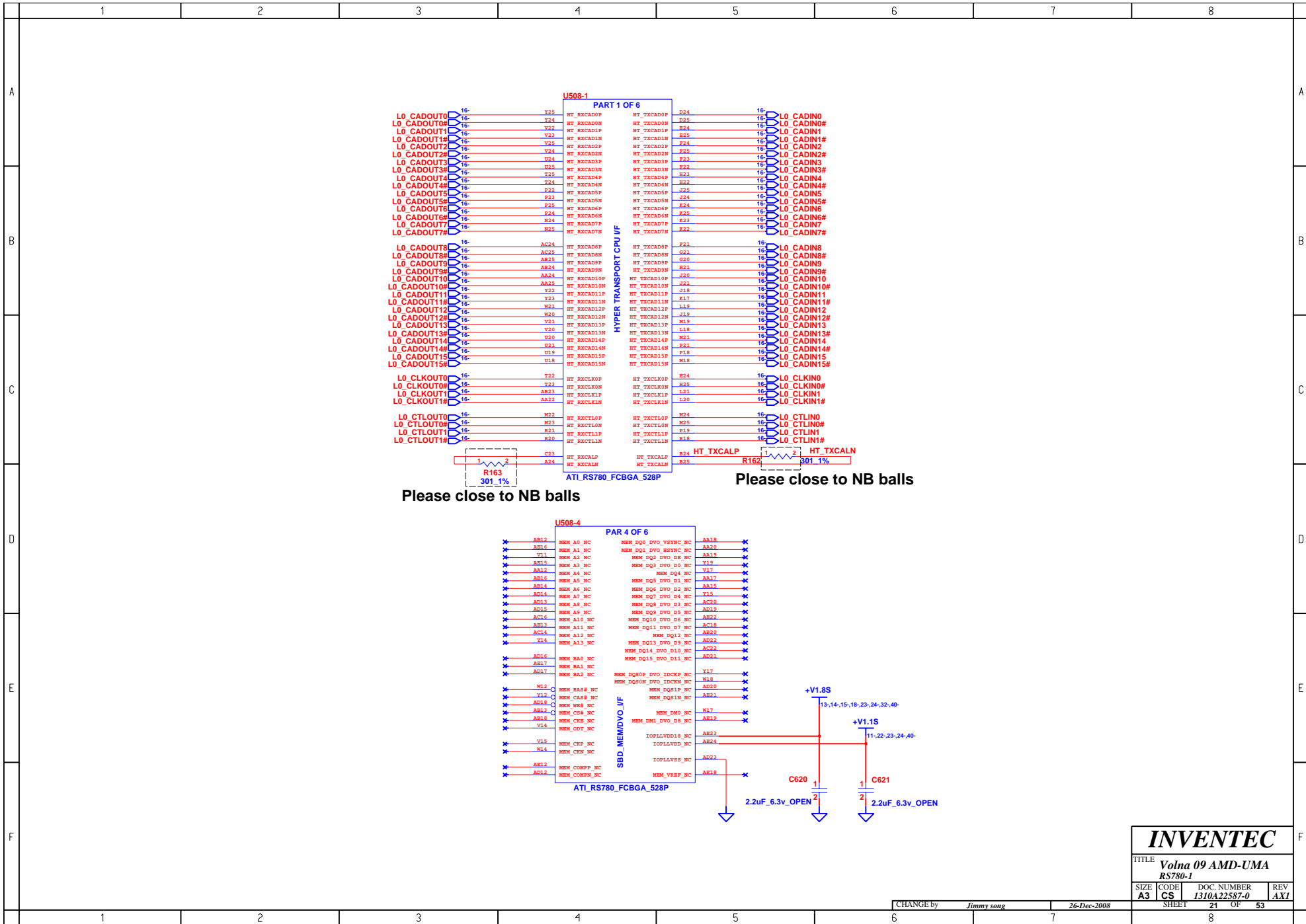
CHANGE by *Jimmy song* 26-Dec-2008



INVENTEC

TITLE
Volna 09 AMD-UMA
THERMAL & FAN CONTROLLER

SIZE A3	CODE CS	DOC. NUMBER 1310A22587-0	REV AX1
-------------------	-------------------	------------------------------------	-------------------



Please close to NB balls

Please close to NB balls

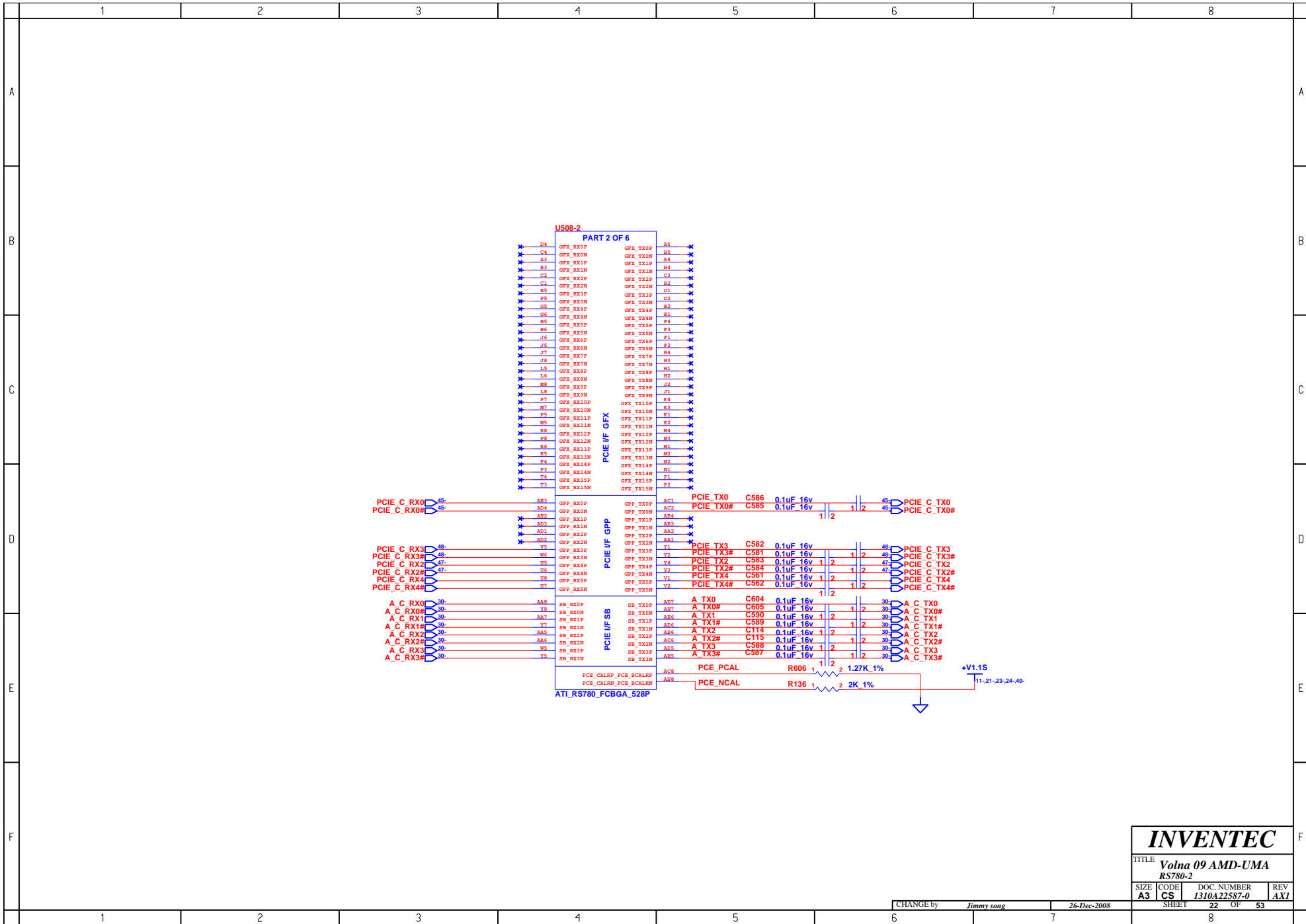
INVENTEC

TITLE
Volna 09 AMD-UMA
RS780-1

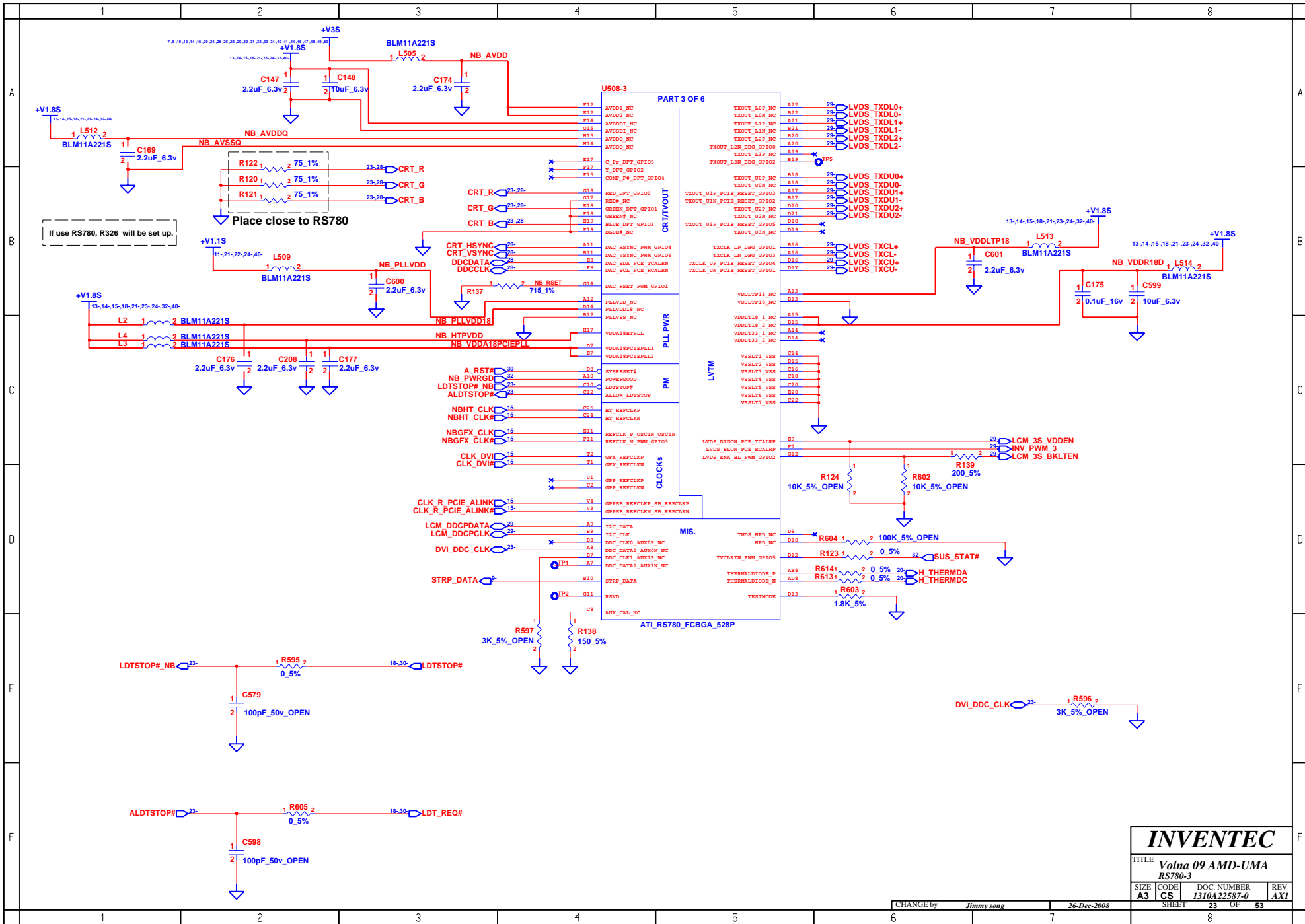
SIZE A3	CODE CS	DOC. NUMBER I310A22587-0	REV AX1
------------	------------	-----------------------------	------------

CHANGE by Jimmy song 26-Dec-2008

SHEET 21 OF 53



INVENTEC			
TITLE Volna 09 AMD-UMA RS780-2			
SIZE A3	CODE CS	DOC. NUMBER I310A22587-0	REV AX1
CHANGE by Jimmy song		26-Dec-2008	SHEET 22 OF 53



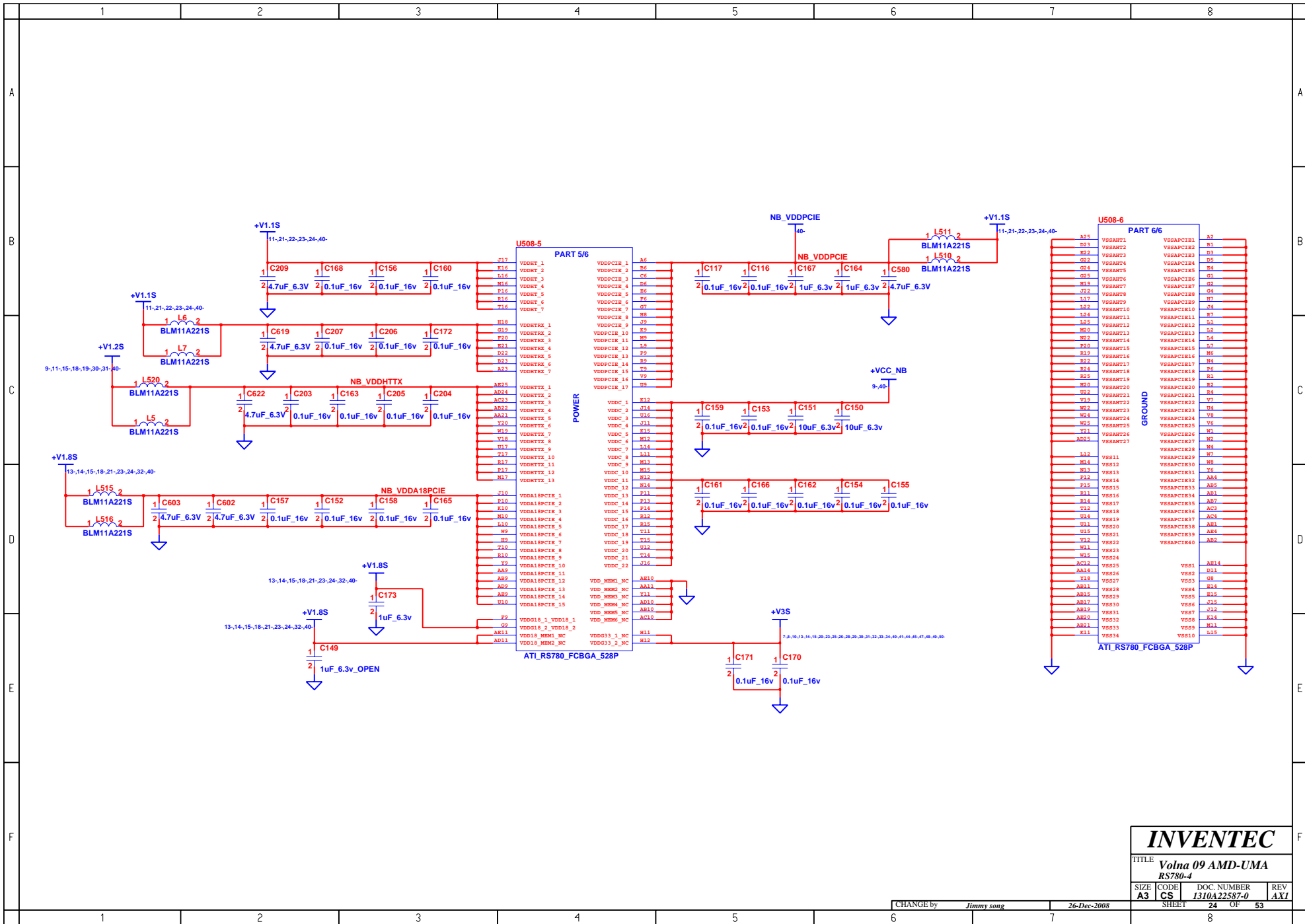
INVENTEC

TITLE
Volna 09 AMD-UMA
RS780-3

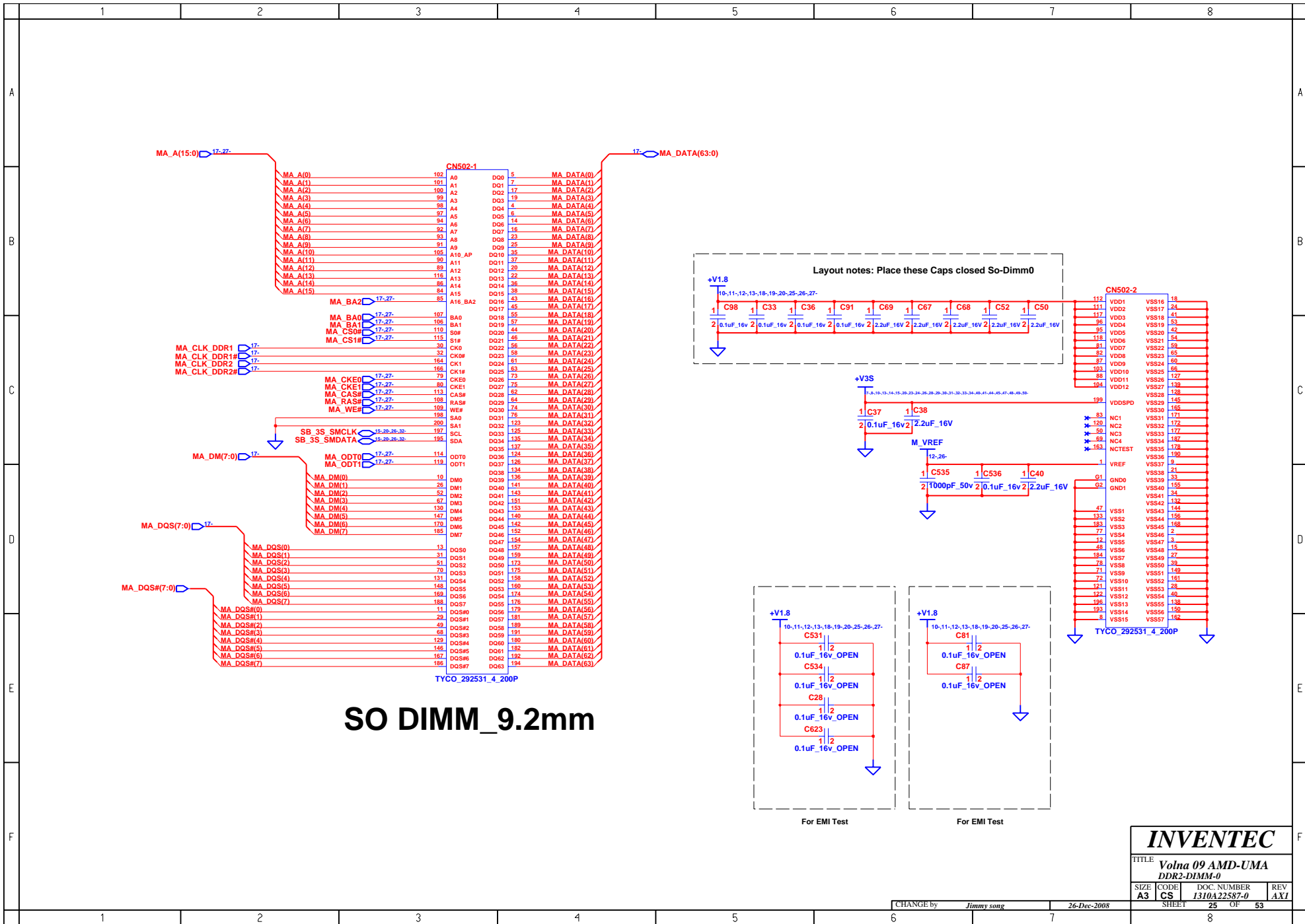
SIZE	CODE	DOC. NUMBER	REV
A3	CS	1310A22587-0	AX1

CHANGE by Jimmy song 26-Dec-2008

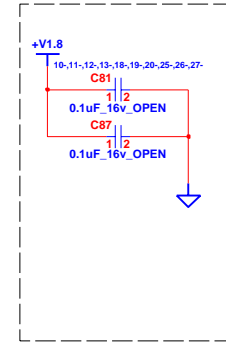
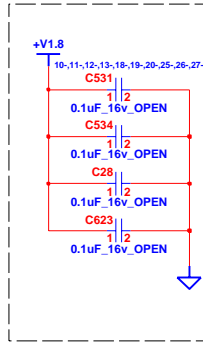
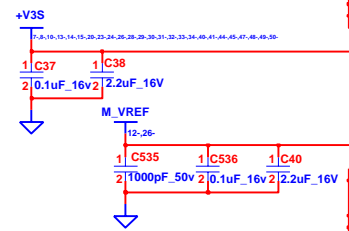
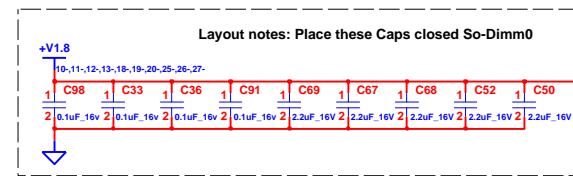
SHEET 23 OF 53



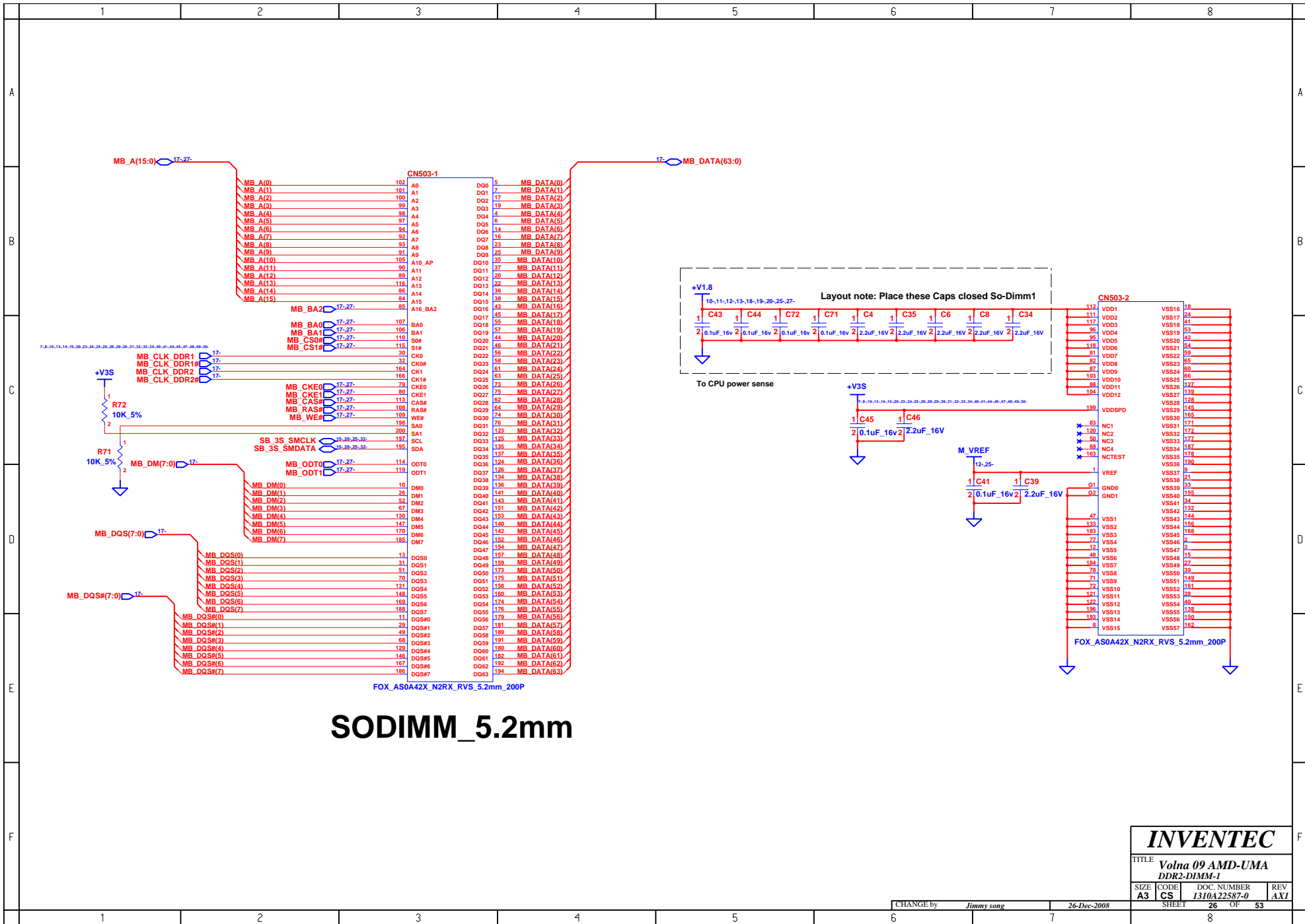
INVENTEC			
TITLE Volna 09 AMD-UMA RS780-4			
SIZE A3	CODE CS	DOC. NUMBER I310A22587-0	REV AX1
CHANGE by <i>Jimmy song</i>		26-Dec-2008	
SHEET 24		OF 53	



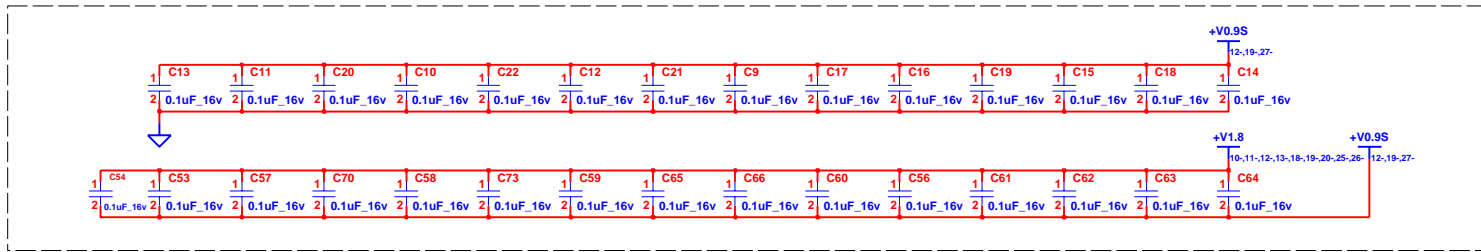
Pin	Signal	Pin	Signal	Pin	Signal
102	MA_A(0)	5	MA_DATA(0)	112	VDD1
101	MA_A(1)	6	MA_DATA(1)	111	VDD2
100	MA_A(2)	7	MA_DATA(2)	110	VDD3
99	MA_A(3)	8	MA_DATA(3)	109	VDD4
98	MA_A(4)	9	MA_DATA(4)	108	VDD5
97	MA_A(5)	10	MA_DATA(5)	107	VDD6
96	MA_A(6)	11	MA_DATA(6)	106	VDD7
95	MA_A(7)	12	MA_DATA(7)	105	VDD8
94	MA_A(8)	13	MA_DATA(8)	104	VDD9
93	MA_A(9)	14	MA_DATA(9)	103	VDD10
92	MA_A(10)	15	MA_DATA(10)	102	VDD11
91	MA_A(11)	16	MA_DATA(11)	101	VDD12
90	MA_A(12)	17	MA_DATA(12)	100	VDDSPD
89	MA_A(13)	18	MA_DATA(13)	99	VSS16
88	MA_A(14)	19	MA_DATA(14)	98	VSS17
87	MA_A(15)	20	MA_DATA(15)	97	VSS18
86	MA_BA2	21	MA_DATA(16)	96	VSS19
85	MA_BA0	22	MA_DATA(17)	95	VSS20
84	MA_BA1	23	MA_DATA(18)	94	VSS21
83	MA_CS0#	24	MA_DATA(19)	93	VSS22
82	MA_CS1#	25	MA_DATA(20)	92	VSS23
81	MA_CLK_DDR1	26	MA_DATA(21)	91	VSS24
80	MA_CLK_DDR2	27	MA_DATA(22)	90	VSS25
79	MA_CLK_DDR2#	28	MA_DATA(23)	89	VSS26
78	MA_CKE0	29	MA_DATA(24)	88	VSS27
77	MA_CKE1	30	MA_DATA(25)	87	VSS28
76	MA_CAS#	31	MA_DATA(26)	86	VSS29
75	MA_RAS#	32	MA_DATA(27)	85	VSS30
74	MA_WE#	33	MA_DATA(28)	84	VSS31
73	SA0	34	MA_DATA(29)	83	VSS32
72	SA1	35	MA_DATA(30)	82	VSS33
71	SCL	36	MA_DATA(31)	81	VSS34
70	SDA	37	MA_DATA(32)	80	VSS35
69	MA_ODT0	38	MA_DATA(33)	79	VSS36
68	MA_ODT1	39	MA_DATA(34)	78	VSS37
67	DM0	40	MA_DATA(35)	77	VSS38
66	DM1	41	MA_DATA(36)	76	VSS39
65	DM2	42	MA_DATA(37)	75	VSS40
64	DM3	43	MA_DATA(38)	74	VSS41
63	DM4	44	MA_DATA(39)	73	VSS42
62	DM5	45	MA_DATA(40)	72	VSS43
61	DM6	46	MA_DATA(41)	71	VSS44
60	DM7	47	MA_DATA(42)	70	VSS45
59	DQS0	48	MA_DATA(43)	69	VSS46
58	DQS1	49	MA_DATA(44)	68	VSS47
57	DQS2	50	MA_DATA(45)	67	VSS48
56	DQS3	51	MA_DATA(46)	66	VSS49
55	DQS4	52	MA_DATA(47)	65	VSS50
54	DQS5	53	MA_DATA(48)	64	VSS51
53	DQS6	54	MA_DATA(49)	63	VSS52
52	DQS7	55	MA_DATA(50)	62	VSS53
51	DQS8	56	MA_DATA(51)	61	VSS54
50	DQS9	57	MA_DATA(52)	60	VSS55
49	DQS10	58	MA_DATA(53)	59	VSS56
48	DQS11	59	MA_DATA(54)	58	VSS57
47	DQS12	60	MA_DATA(55)	57	VSS58
46	DQS13	61	MA_DATA(56)	56	VSS59
45	DQS14	62	MA_DATA(57)	55	VSS60
44	DQS15	63	MA_DATA(58)	54	VSS61
43	DQS16	64	MA_DATA(59)	53	VSS62
42	DQS17	65	MA_DATA(60)	52	VSS63
41	DQS18	66	MA_DATA(61)	51	VSS64
40	DQS19	67	MA_DATA(62)	50	VSS65
39	DQS20	68	MA_DATA(63)	49	VSS66
38	DQS21	69		48	VSS67
37	DQS22	70		47	VSS68
36	DQS23	71		46	VSS69
35	DQS24	72		45	VSS70
34	DQS25	73		44	VSS71
33	DQS26	74		43	VSS72
32	DQS27	75		42	VSS73
31	DQS28	76		41	VSS74
30	DQS29	77		40	VSS75
29	DQS30	78		39	VSS76
28	DQS31	79		38	VSS77
27	DQS32	80		37	VSS78
26	DQS33	81		36	VSS79
25	DQS34	82		35	VSS80
24	DQS35	83		34	VSS81
23	DQS36	84		33	VSS82
22	DQS37	85		32	VSS83
21	DQS38	86		31	VSS84
20	DQS39	87		30	VSS85
19	DQS40	88		29	VSS86
18	DQS41	89		28	VSS87
17	DQS42	90		27	VSS88
16	DQS43	91		26	VSS89
15	DQS44	92		25	VSS90
14	DQS45	93		24	VSS91
13	DQS46	94		23	VSS92
12	DQS47	95		22	VSS93
11	DQS48	96		21	VSS94
10	DQS49	97		20	VSS95
9	DQS50	98		19	VSS96
8	DQS51	99		18	VSS97
7	DQS52	100		17	VSS98
6	DQS53	101		16	VSS99
5	DQS54	102		15	VSS100



Pin	Signal	Pin	Signal
112	VDD1	18	VSS16
111	VDD2	17	VSS17
110	VDD3	16	VSS18
109	VDD4	15	VSS19
108	VDD5	14	VSS20
107	VDD6	13	VSS21
106	VDD7	12	VSS22
105	VDD8	11	VSS23
104	VDD9	10	VSS24
103	VDD10	9	VSS25
102	VDD11	8	VSS26
101	VDD12	7	VSS27
100	VDDSPD	6	VSS28
99	VSS16	5	VSS29
98	VSS17	4	VSS30
97	VSS18	3	VSS31
96	VSS19	2	VSS32
95	VSS20	1	VSS33
94	VSS21	83	NC1
93	VSS22	82	NC2
92	VSS23	81	NC3
91	VSS24	80	NC4
90	VSS25	79	NCTEST
89	VSS26	78	VREF
88	VSS27	77	VSS36
87	VSS28	76	VSS37
86	VSS29	75	VSS38
85	VSS30	74	VSS39
84	VSS31	73	VSS40
83	VSS32	72	VSS41
82	VSS33	71	VSS42
81	VSS34	70	VSS43
80	VSS35	69	VSS44
79	VSS36	68	VSS45
78	VSS37	67	VSS46
77	VSS38	66	VSS47
76	VSS39	65	VSS48
75	VSS40	64	VSS49
74	VSS41	63	VSS50
73	VSS42	62	VSS51
72	VSS43	61	VSS52
71	VSS44	60	VSS53
70	VSS45	59	VSS54
69	VSS46	58	VSS55
68	VSS47	57	VSS56
67	VSS48	56	VSS57
66	VSS49	55	VSS58
65	VSS50	54	VSS59
64	VSS51	53	VSS60
63	VSS52	52	VSS61
62	VSS53	51	VSS62
61	VSS54	50	VSS63
60	VSS55	49	VSS64
59	VSS56	48	VSS65
58	VSS57	47	VSS66
57	VSS58	46	VSS67
56	VSS59	45	VSS68
55	VSS60	44	VSS69
54	VSS61	43	VSS70
53	VSS62	42	VSS71
52	VSS63	41	VSS72
51	VSS64	40	VSS73
50	VSS65	39	VSS74
49	VSS66	38	VSS75
48	VSS67	37	VSS76
47	VSS68	36	VSS77
46	VSS69	35	VSS78
45	VSS70	34	VSS79
44	VSS71	33	VSS80
43	VSS72	32	VSS81
42	VSS73	31	VSS82
41	VSS74	30	VSS83
40	VSS75	29	VSS84
39	VSS76	28	VSS85
38	VSS77	27	VSS86
37	VSS78	26	VSS87
36	VSS79	25	VSS88
35	VSS80	24	VSS89
34	VSS81	23	VSS90
33	VSS82	22	VSS91
32	VSS83	21	VSS92
31	VSS84	20	VSS93
30	VSS85	19	VSS94
29	VSS86	18	VSS95
28	VSS87	17	VSS96
27	VSS88	16	VSS97
26	VSS89	15	VSS98
25	VSS90	14	VSS99
24	VSS91	13	VSS100

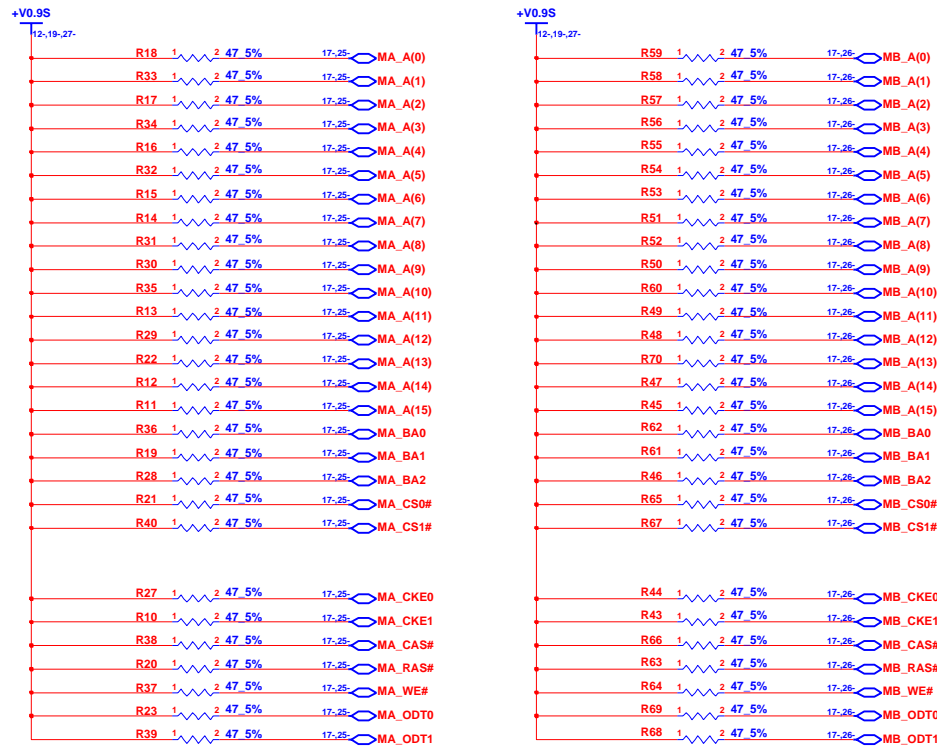


INVENTEC			
TITLE Volna 09 AMD-UMA DDR2-DIMM-1			
SIZE A3	CODE CS	DOC. NUMBER I310A22587-0	REV AX1
CHANGE by <i>Jimmy song</i>		26-Dec-2008	
SHEET 26		OF 53	



To CPU power sense

Place CAPs close to DIMM



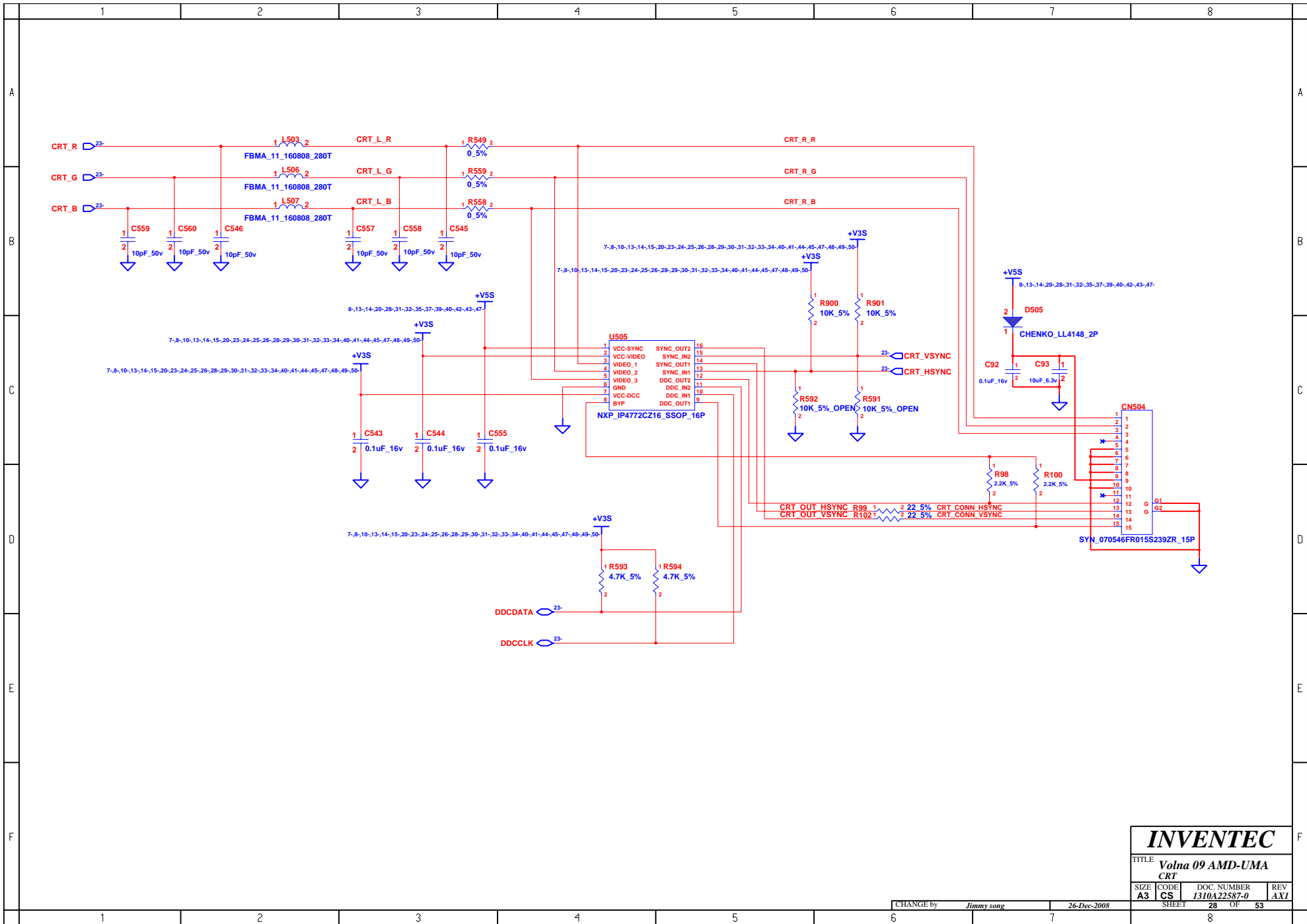
INVENTEC

TITLE
Volna 09 AMD-UMA
DDR2-DAMPING

SIZE A3	CODE CS	DOC. NUMBER I310A22587-0	REV AX1
------------	------------	-----------------------------	------------

CHANGE by Jimmy song 26-Dec-2008

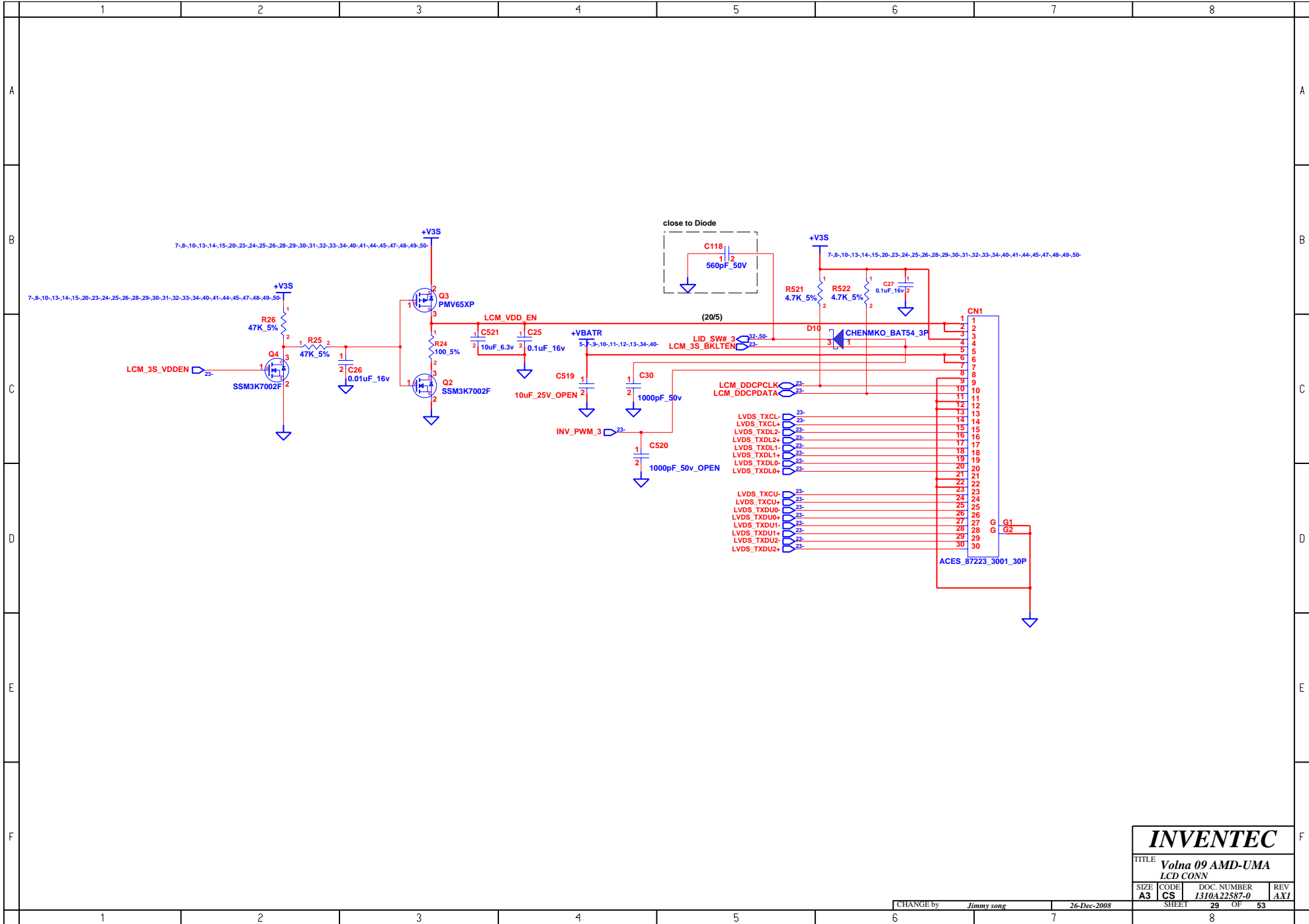
SHEET 27 OF 53



INVENTEC

TITLE
Volna 09 AMD-UMA
 CRT

SIZE	CODE	DOC. NUMBER	REV
A3	CS	1310A22587-0	AX1



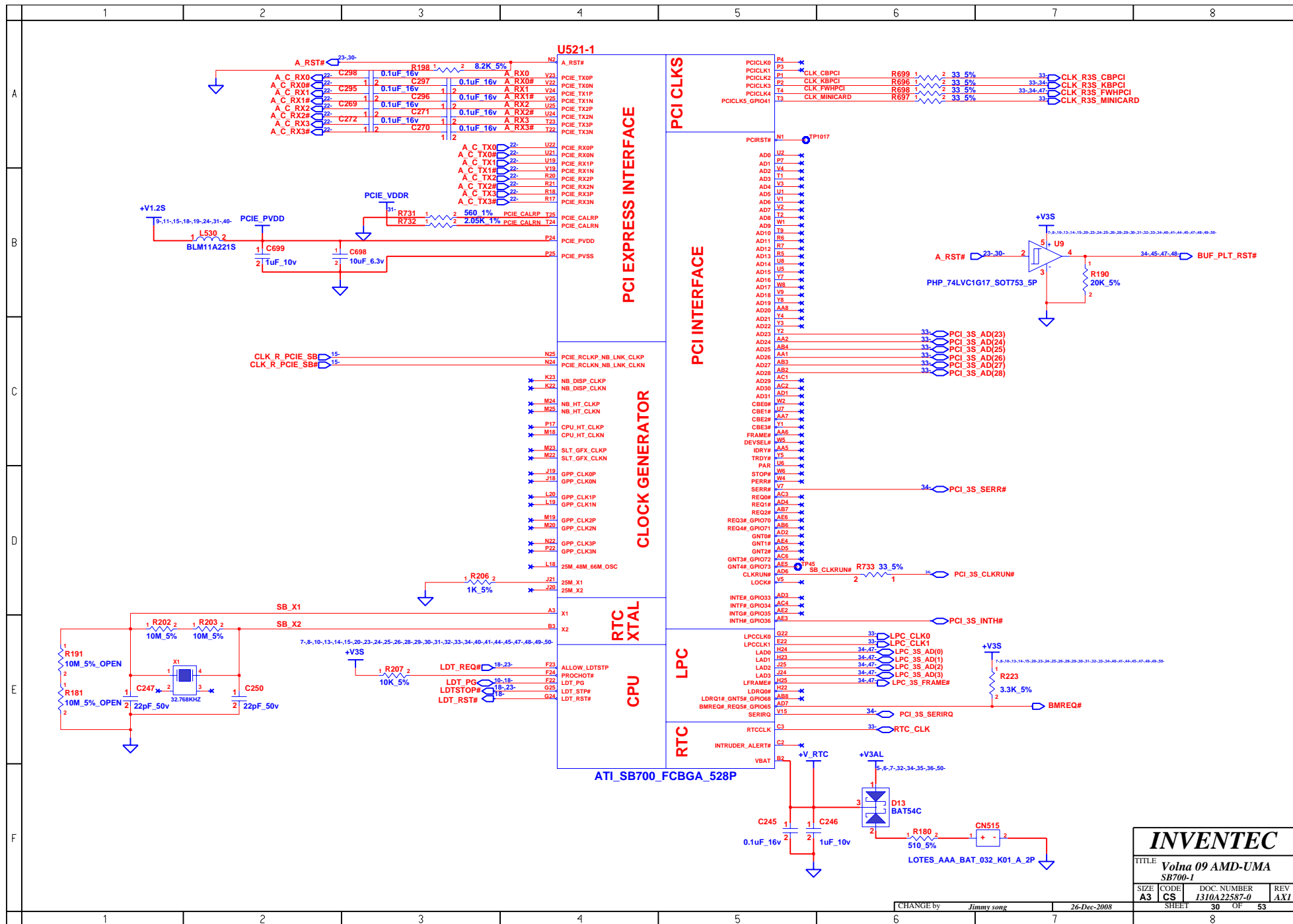
INVENTEC

TITLE
Volna 09 AMD-UMA
 LCD CONN

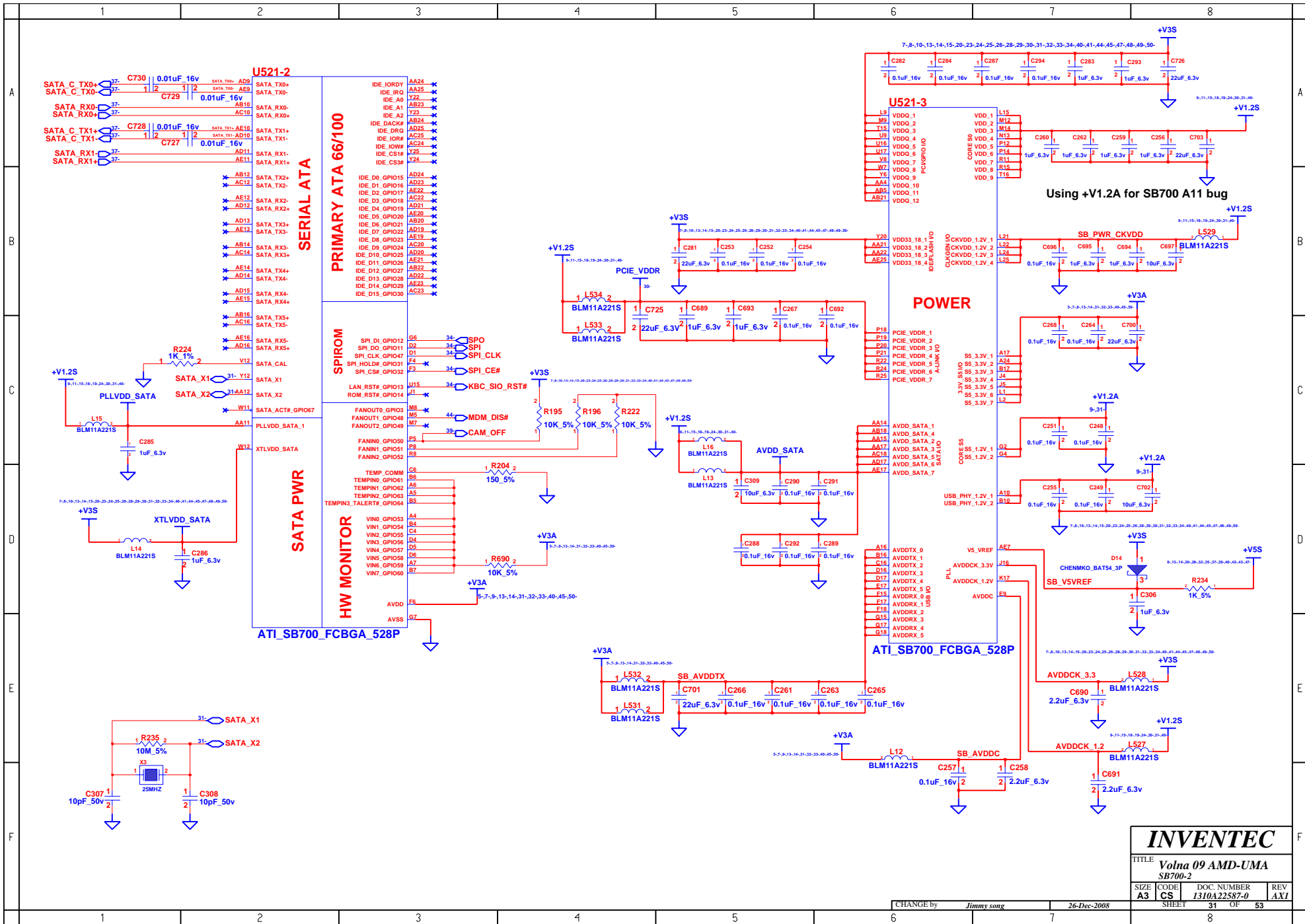
SIZE A3	CODE CS	DOC. NUMBER 1310A22587-0	REV AXI
-------------------	-------------------	------------------------------------	-------------------

CHANGE by *Jimmy song* 26-Dec-2008

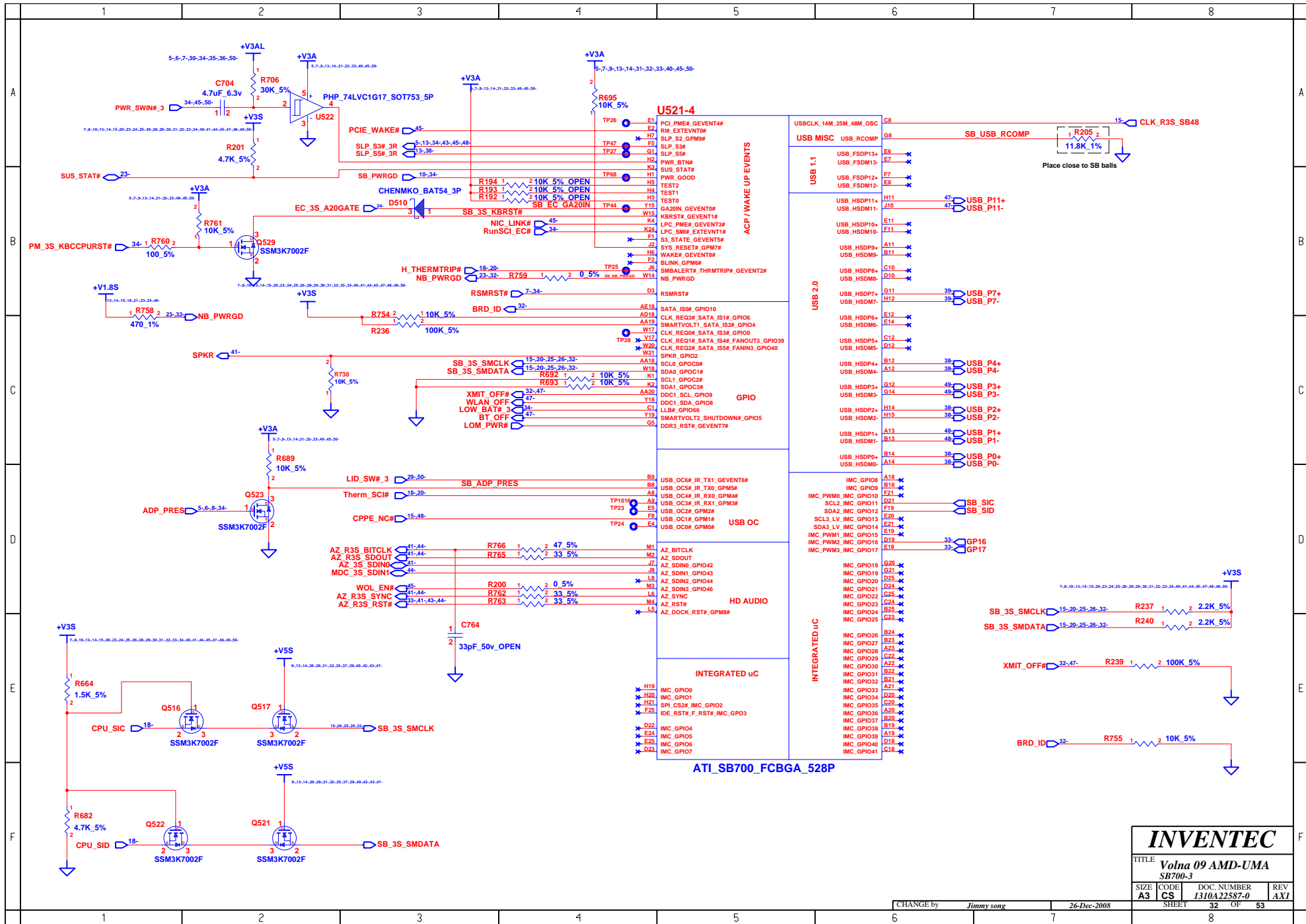
SHEET 29 OF 53



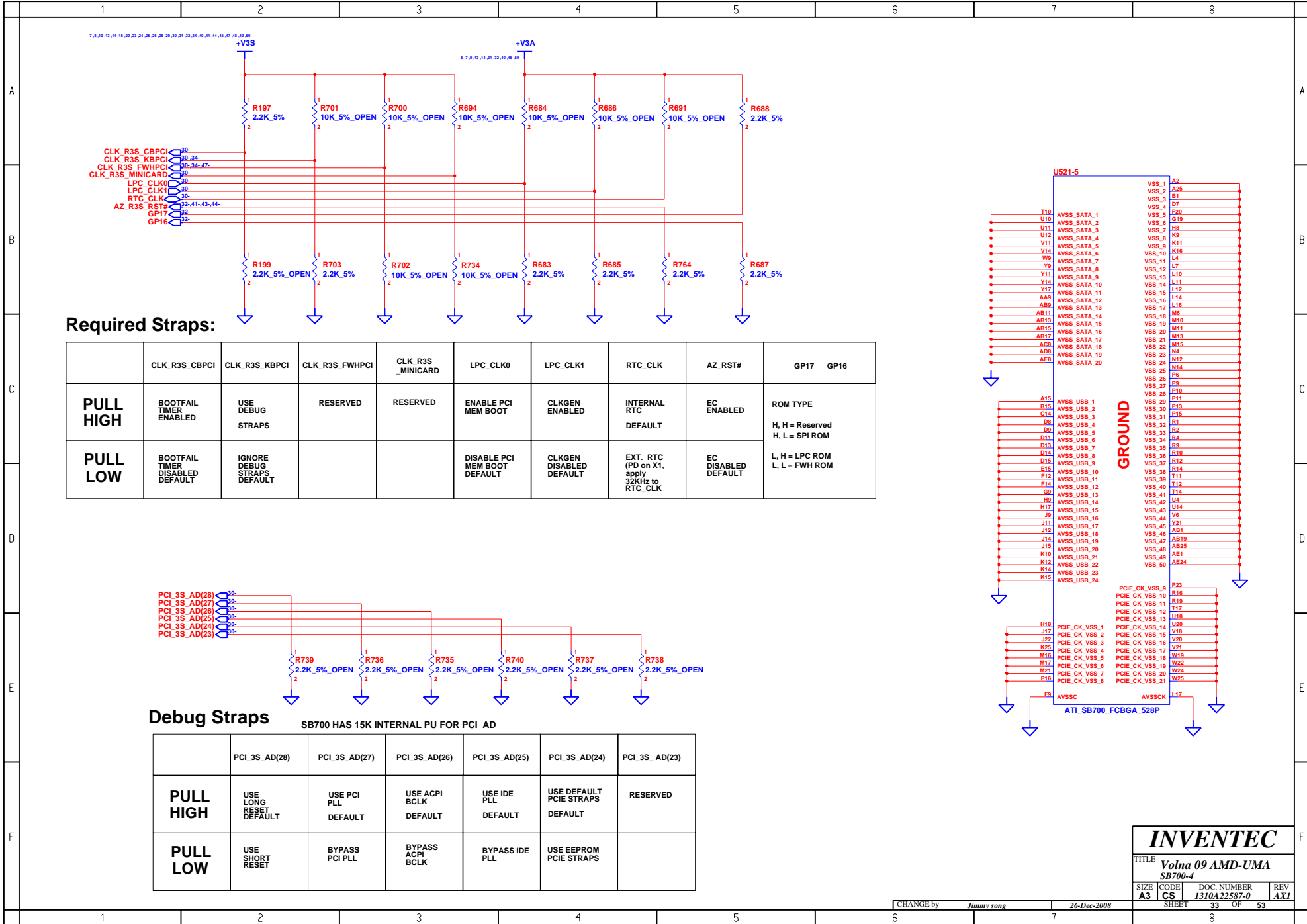
CHANGE by Jimmy song 26-Dec-2008



INVENTEC			
TITLE Volna 09 AMD-UMA SB700-2			
SIZE A3	CODE CS	DOC. NUMBER I310A22587-0	REV AX1
CHANGE by <i>Jimmy song</i>		26-Dec-2008	
SHEET 31		OF 53	



INVENTEC			
TITLE Volna 09 AMD-UMA			
SB700-3			
SIZE	CODE	DOC. NUMBER	REV
A3	CS	1310A22587-0	AX1
CHANGE by		26-Dec-2008	
Jimmy song		SHEET 32 OF 53	



Required Straps:

	CLK_R3S_CBPCI	CLK_R3S_KBPCI	CLK_R3S_FWHPCI	CLK_R3S_MINICARD	LPC_CLK0	LPC_CLK1	RTC_CLK	AZ_RST#	GP17	GP16
PULL HIGH	BOOTFAIL TIMER ENABLED	USE DEBUG STRAPS	RESERVED	RESERVED	ENABLE PCI MEM BOOT	CLKGEN ENABLED	INTERNAL RTC DEFAULT	EC ENABLED	ROM TYPE H, H = Reserved L, L = SPI ROM	
PULL LOW	BOOTFAIL TIMER DISABLED DEFAULT	IGNORE DEBUG STRAPS DEFAULT			DISABLE PCI MEM BOOT DEFAULT	CLKGEN DISABLED DEFAULT	EXT. RTC (PD on X1, apply 32KHz to RTC_CLK)	EC DISABLED DEFAULT	L, H = LPC ROM L, L = FWH ROM	

Debug Straps

SB700 HAS 15K INTERNAL PU FOR PCI_AD

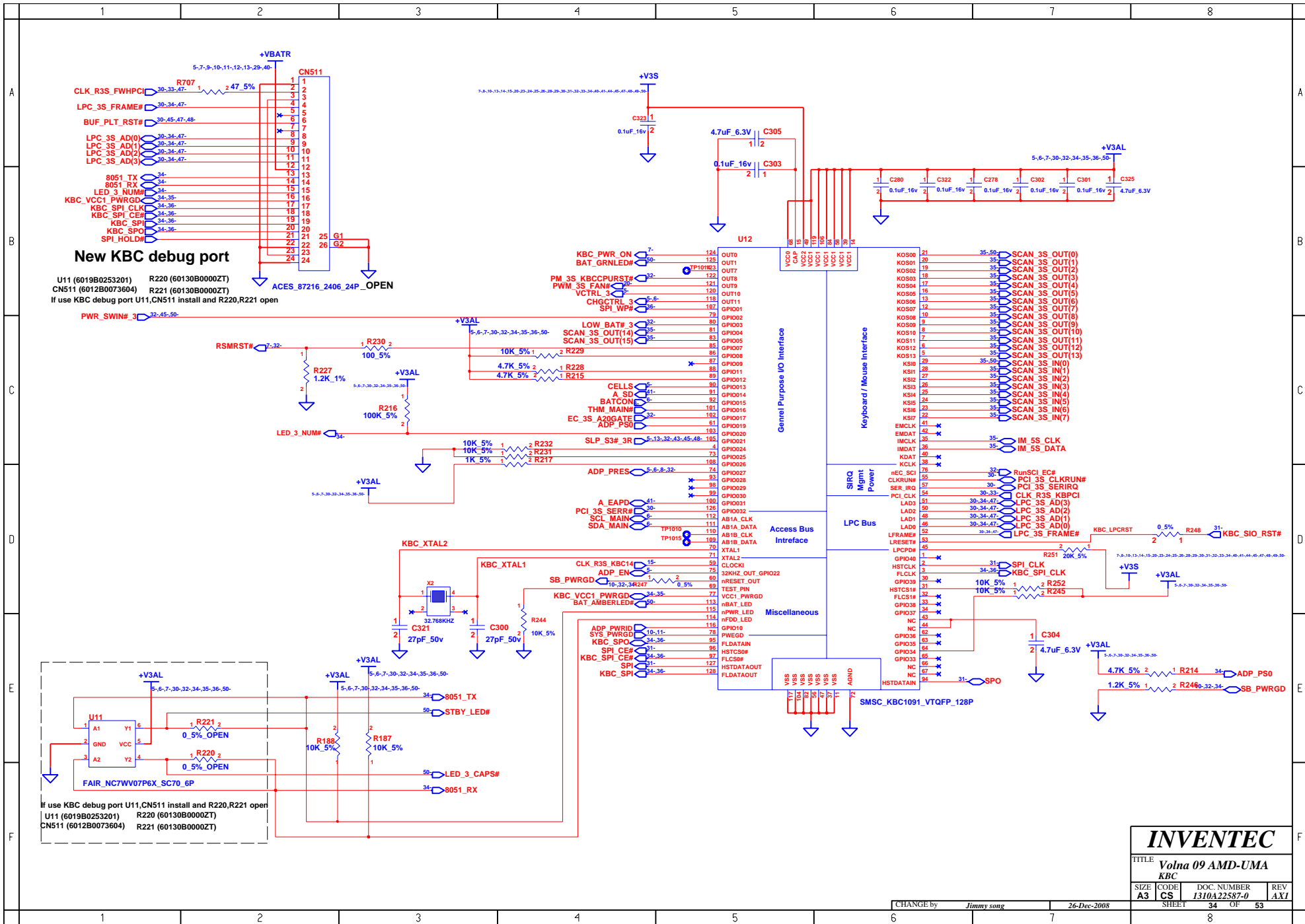
	PCI_3S_AD(28)	PCI_3S_AD(27)	PCI_3S_AD(26)	PCI_3S_AD(25)	PCI_3S_AD(24)	PCI_3S_AD(23)
PULL HIGH	USE LONG RESET DEFAULT	USE PCI PLL DEFAULT	USE ACPI BCLK DEFAULT	USE IDE PLL DEFAULT	USE DEFAULT PCIE STRAPS DEFAULT	RESERVED
PULL LOW	USE SHORT RESET	BYPASS PCI PLL	BYPASS ACPI BCLK	BYPASS IDE PLL	USE EEPROM PCIE STRAPS	

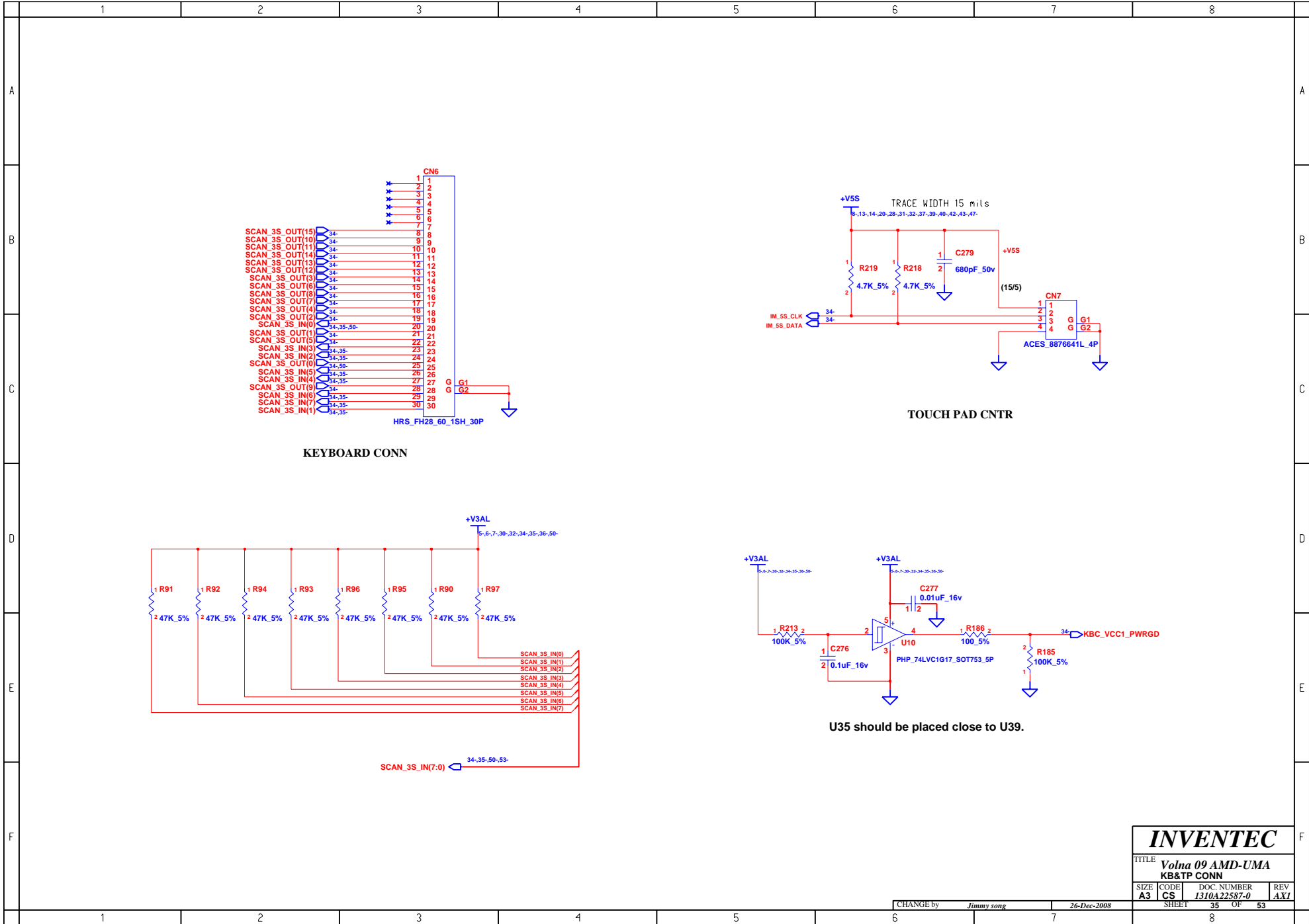
GROUND

INVENTEC

TITLE
Volna 09 AMD-UMA
SB700-4

SIZE	CODE	DOC. NUMBER	REV
A3	CS	1310A22587-0	AX1





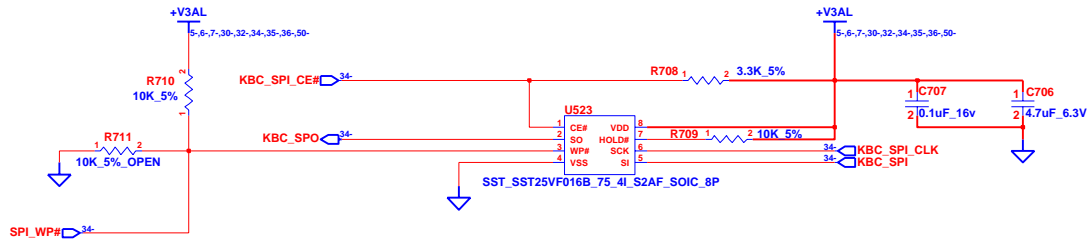
INVENTEC

TITLE
Volna 09 AMD-UMA
KB&TP CONN

SIZE A3	CODE CS	DOC NUMBER 1310A22587-0	REV AX1
------------	------------	----------------------------	------------

CHANGE by Jimmy song 26-Dec-2008

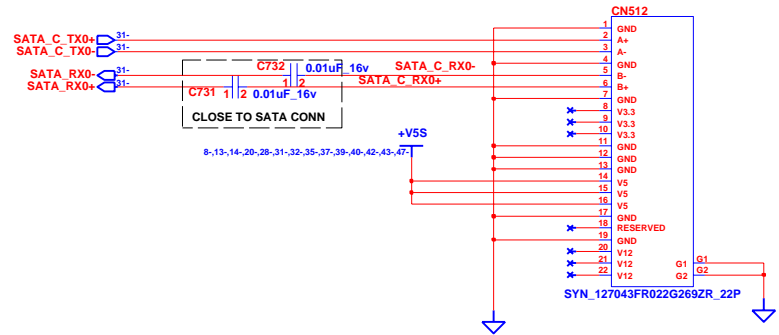
SHEET 35 OF 53



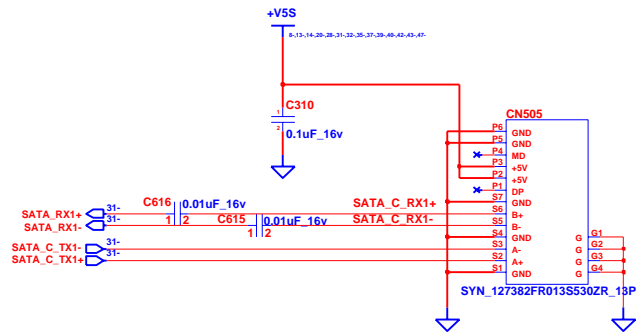
SPI Flash

INVENTEC			
TITLE Volna 09 AMD-UMA			
SPI			
SIZE	CODE	DOC. NUMBER	REV
A3	CS	1310A22587-0	AX1
CHANGE by <i>Jimmy song</i>		26-Dec-2008	
SHEET		36	OF 53

	1	2	3	4	5	6	7	8	
A									
B									
C									
D									
E									
F									
	1	2	3	4	5	6	7	8	



HDD CONNECTOR



ODD SATA CONNECTOR

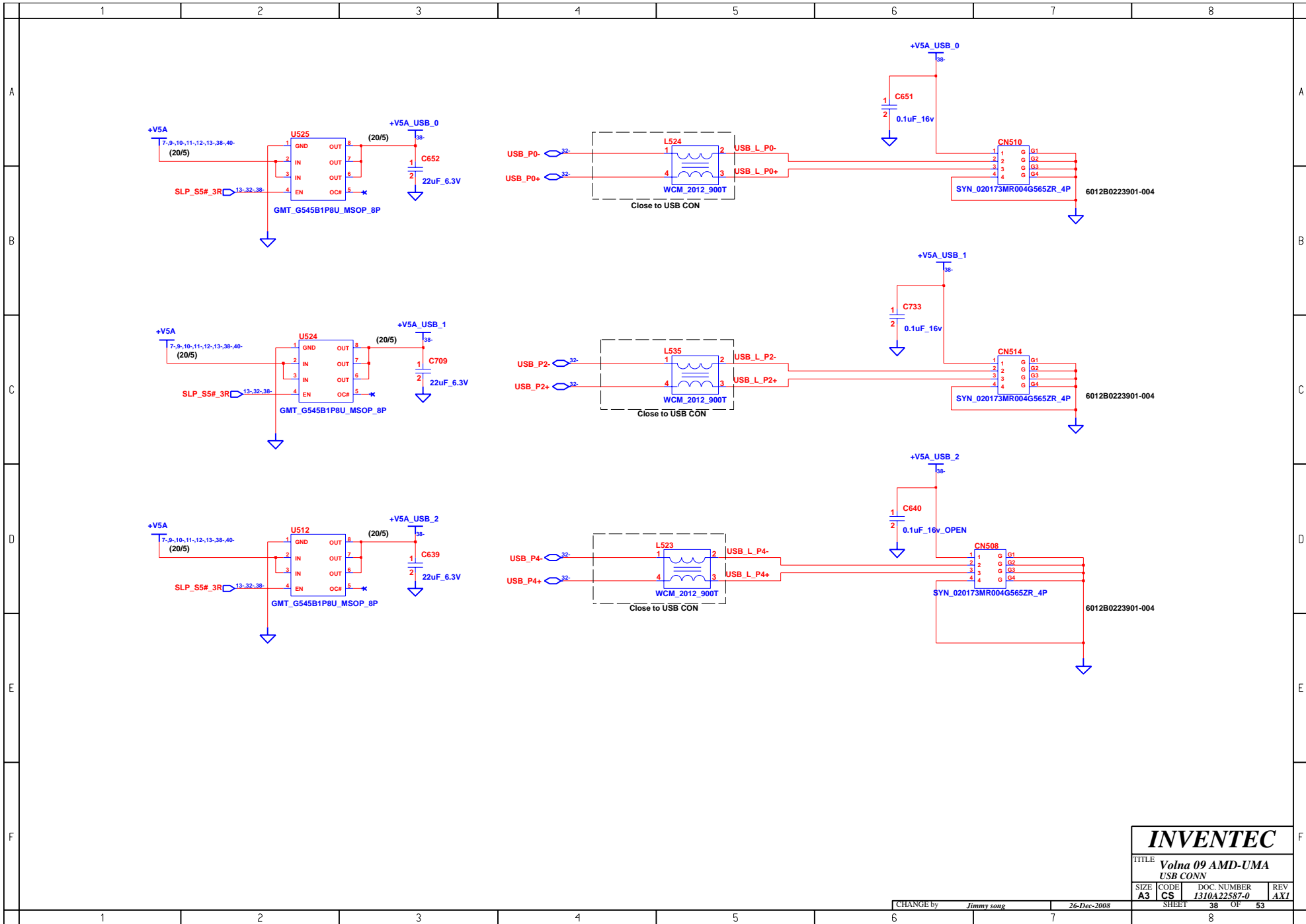
INVENTEC

TITLE
**Volna 09 AMD-UMA
HDD & ODD CONN**

SIZE A3	CODE CS	DOC. NUMBER 1310A22587-0	REV AXI
-------------------	-------------------	------------------------------------	-------------------

CHANGE by *Jimmy song* 26-Dec-2008

SHEET 37 OF 53



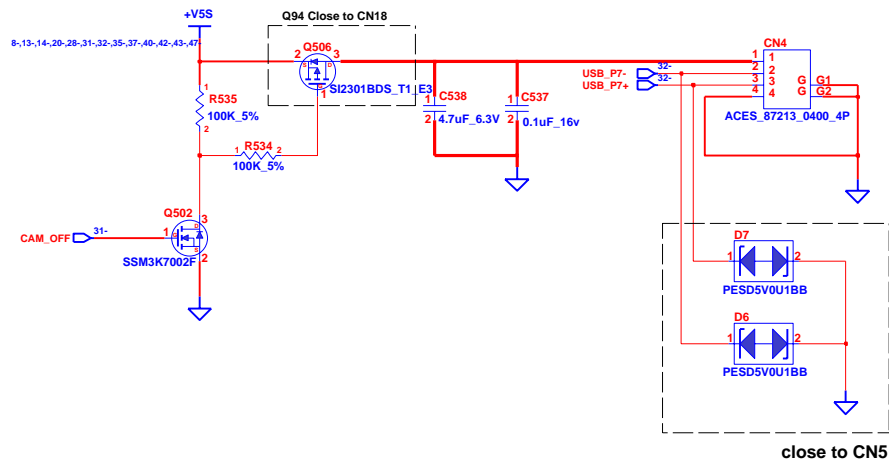
INVENTEC

TITLE
Volna 09 AMD-UMA
 USB CONN

SIZE A3	CODE CS	DOC. NUMBER 1310A22587-0	REV AX1
-------------------	-------------------	------------------------------------	-------------------

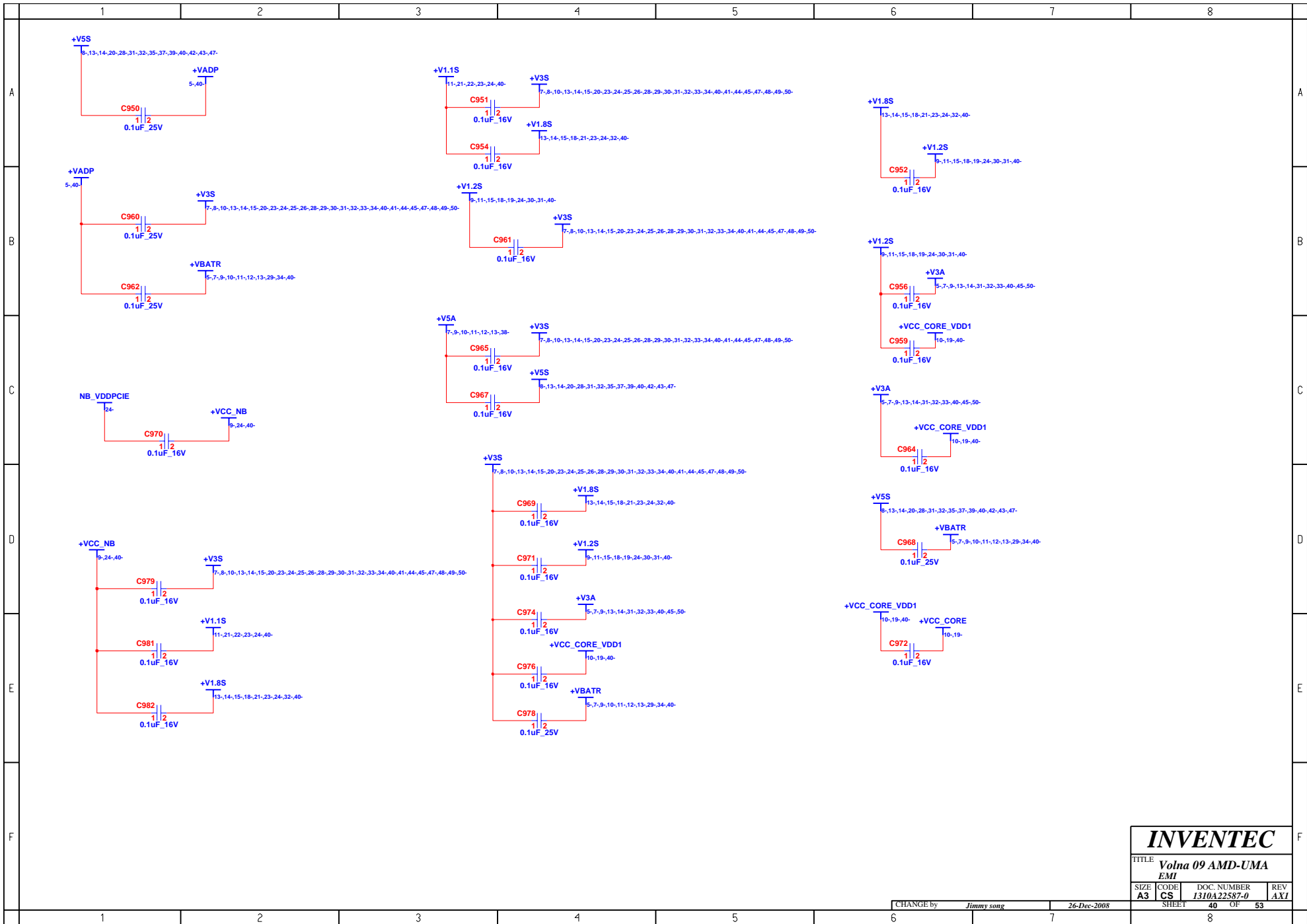
CHANGE by <i>Jimmy song</i>	26-Dec-2008	SHEET 38	OF 53
--------------------------------	-------------	-------------	----------

(At least 20mils.)



USB WEBCAM CONNECTOR

INVENTEC			
TITLE Volna 09 AMD-UMA USB WEBCAM CONN			
SIZE A3	CODE CS	DOC. NUMBER 1310A22587-0	REV AXI
CHANGE by <i>Jimmy song</i>		26-Dec-2008	
SHEET		39 OF 53	



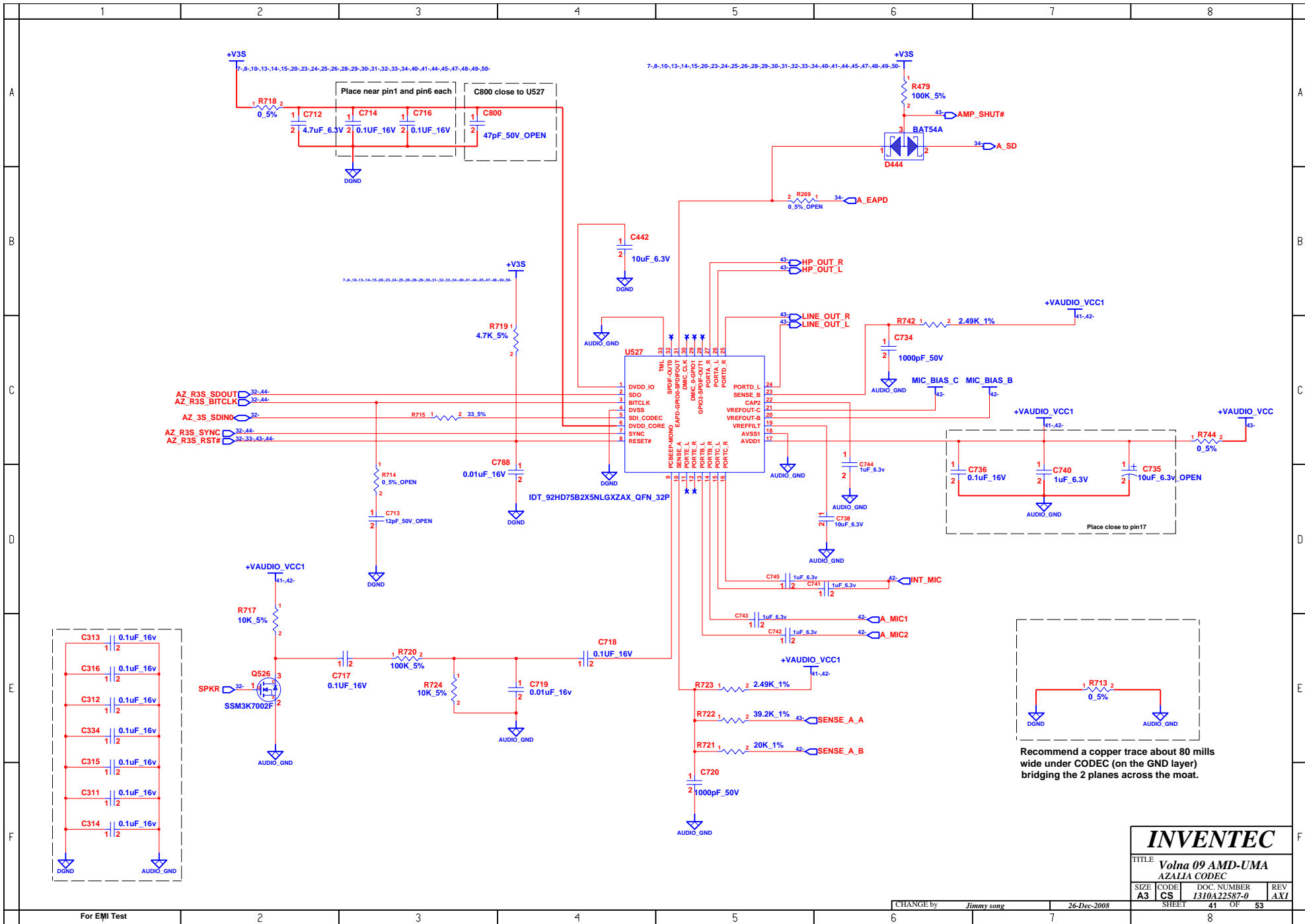
INVENTEC

TITLE **Volna 09 AMD-UMA**
EMI

SIZE	CODE	DOC. NUMBER	REV
A3	CS	1310A22587-0	AXI

CHANGE by Jimmy song 26-Dec-2008

SHEET 40 OF 53



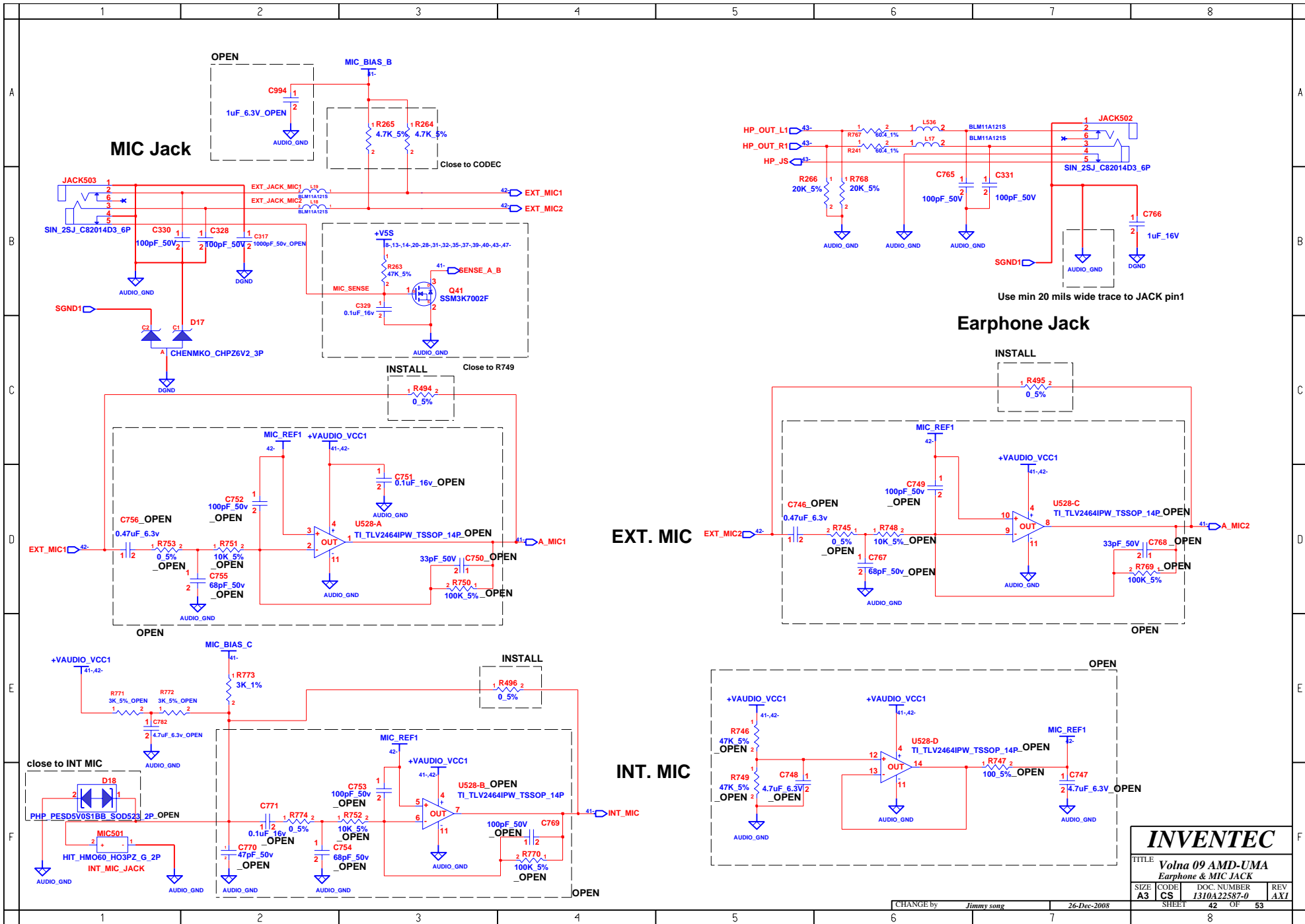
Recommend a copper trace about 80 mills wide under CODEC (on the GND layer) bridging the 2 planes across the moat.

INVENTEC

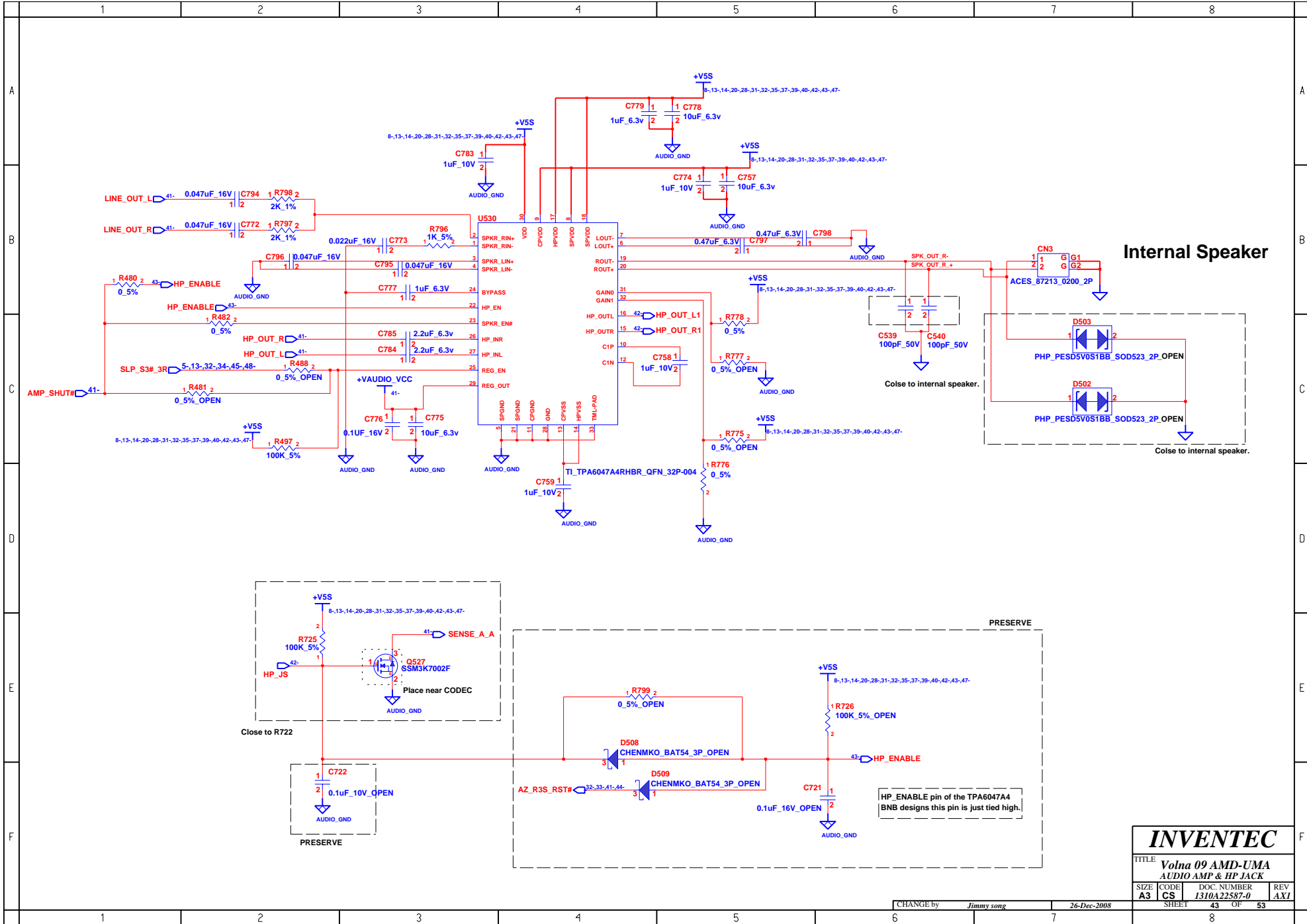
TITLE
Volna 09 AMD-UMA
AZALIA CODEC

SIZE A3	CODE CS	DOC. NUMBER I310A22587-0	REV AXI
------------	------------	-----------------------------	------------

SHEET 41	OF 53
-------------	----------



INVENTEC			
TITLE Volna 09 AMD-UMA Earphone & MIC JACK			
SIZE A3	CODE CS	DOC. NUMBER I310A22587-0	REV AX1
CHANGE by Jimmy song		26-Dec-2008	
SHEET 42		OF 53	



Internal Speaker

Coise to internal speaker.

Coise to internal speaker.

Close to R722

PRESERVE

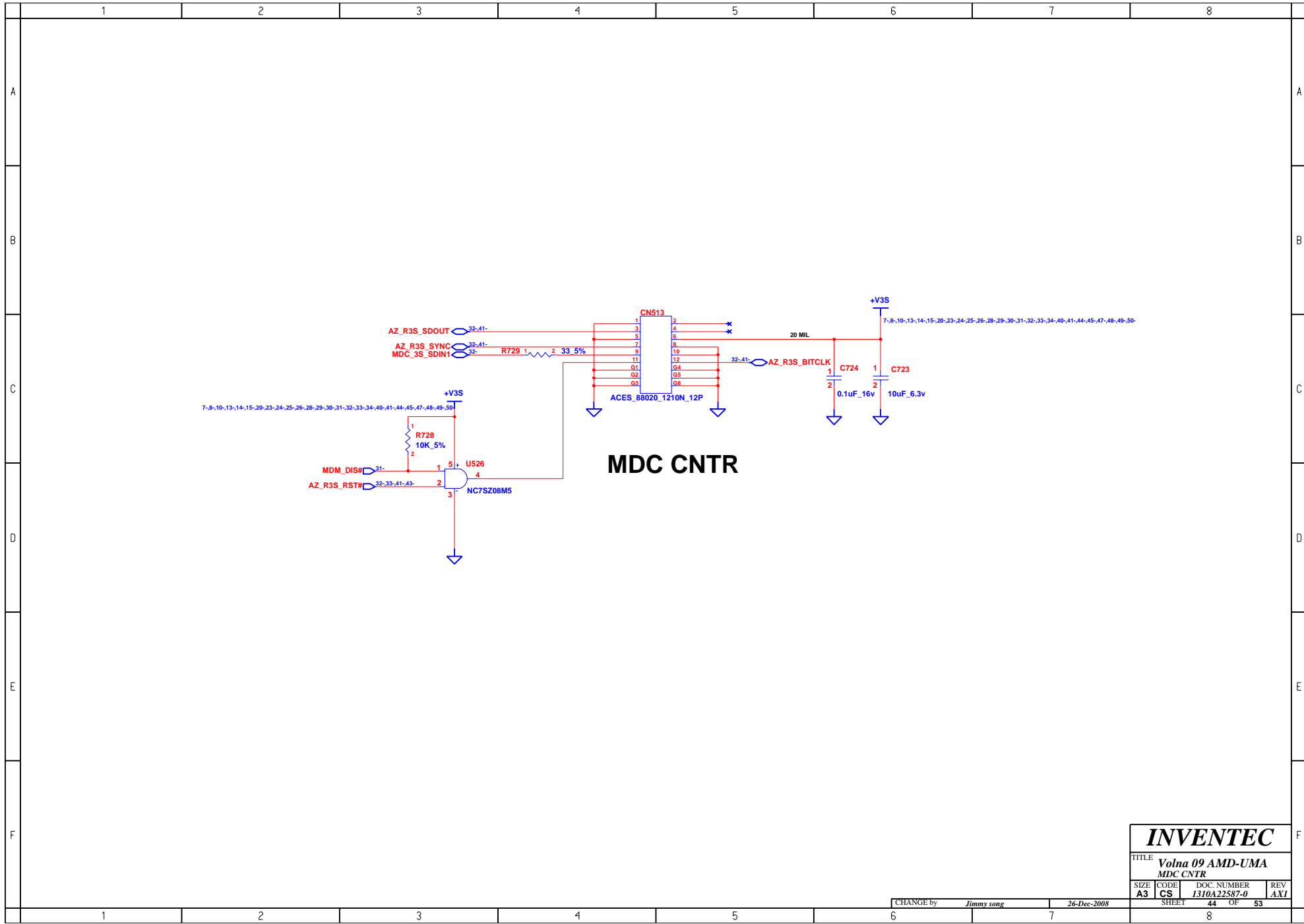
PRESERVE

HP_ENABLE pin of the TPA6047A4
[BNB designs this pin is just tied high.]

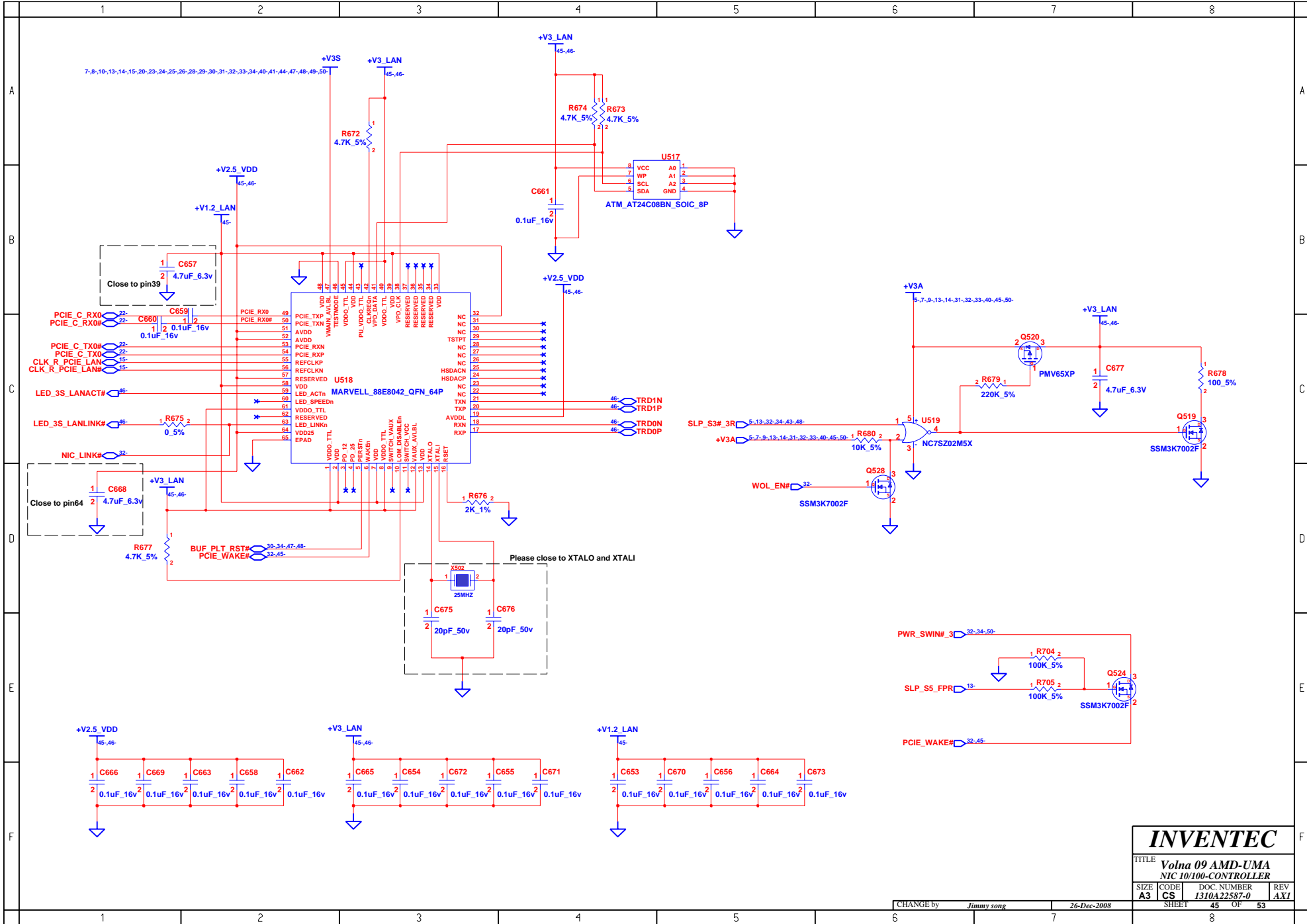
INVENTEC

TITLE
Volna 09 AMD-UMA
AUDIO AMP & HP JACK

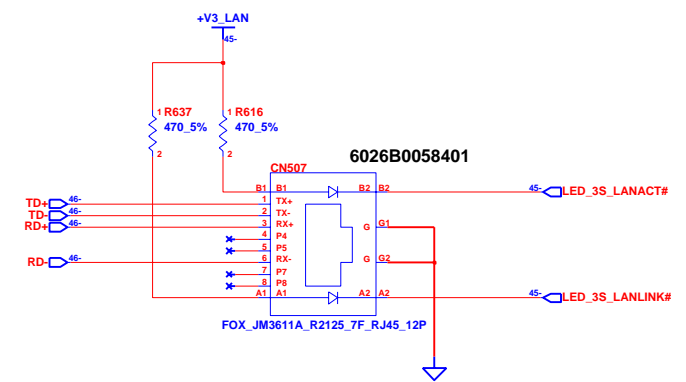
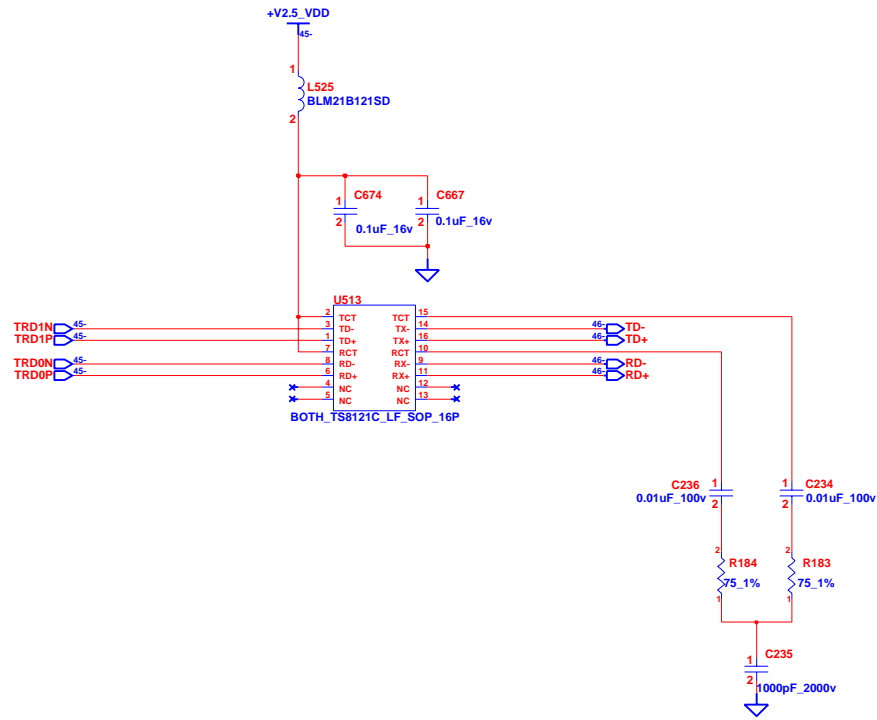
SIZE A3	CODE CS	DOC. NUMBER I310A22587-0	REV AX1
------------	------------	-----------------------------	------------



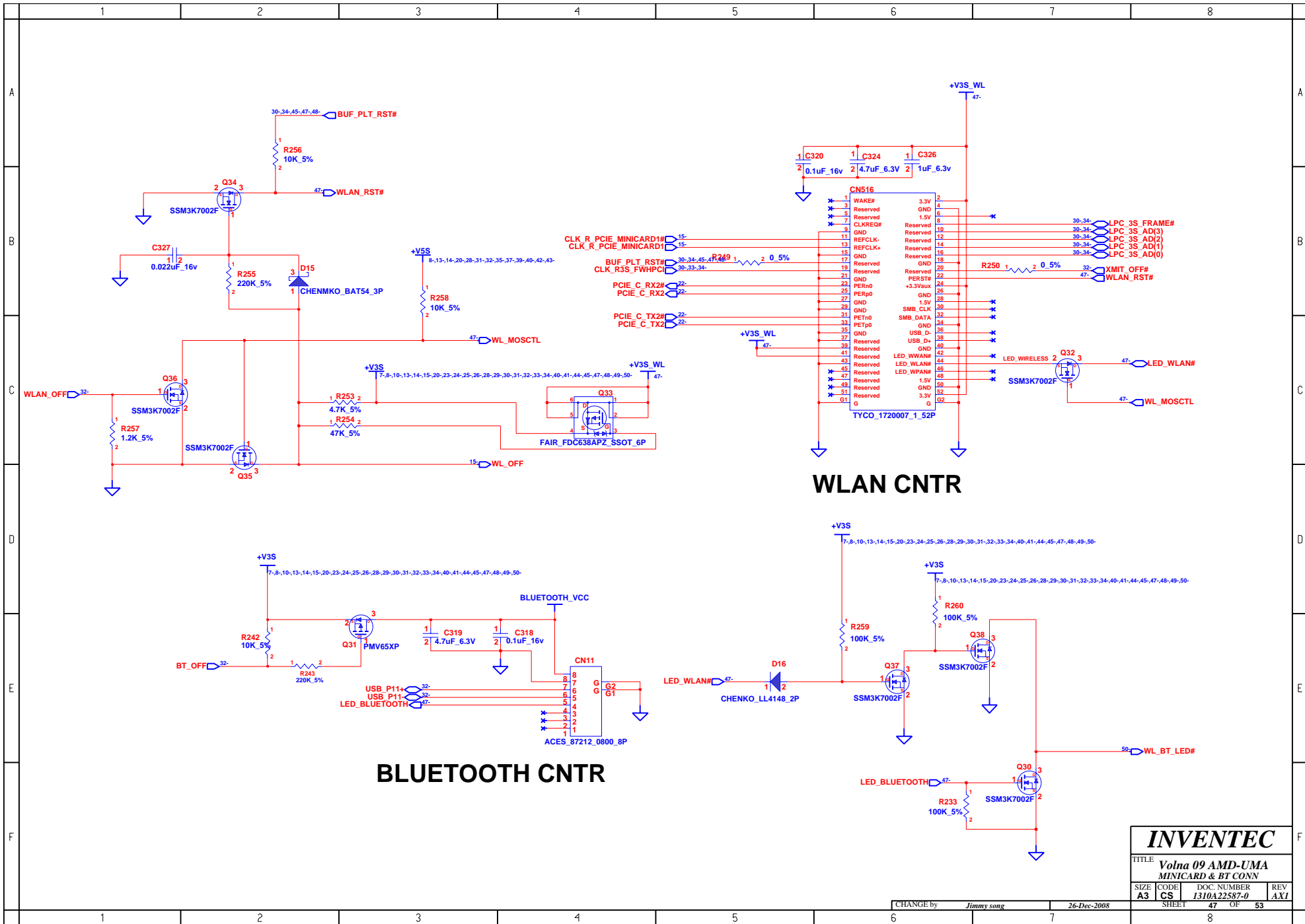
INVENTEC			
TITLE Volna 09 AMD-UMA MDC CNTR			
SIZE A3	CODE CS	DOC. NUMBER 1310A22587-0	REV AX1
CHANGE by <i>Jimmy song</i>		26-Dec-2008	
SHEET		44 OF 53	



INVENTEC			
TITLE Volna 09 AMD-UMA NIC 10/100-CONTROLLER			
SIZE A3	CODE CS	DOC. NUMBER I310A22587-0	REV AX1
CHANGE by <i>Jimmy song</i>		26-Dec-2008	
SHEET 45		OF 53	



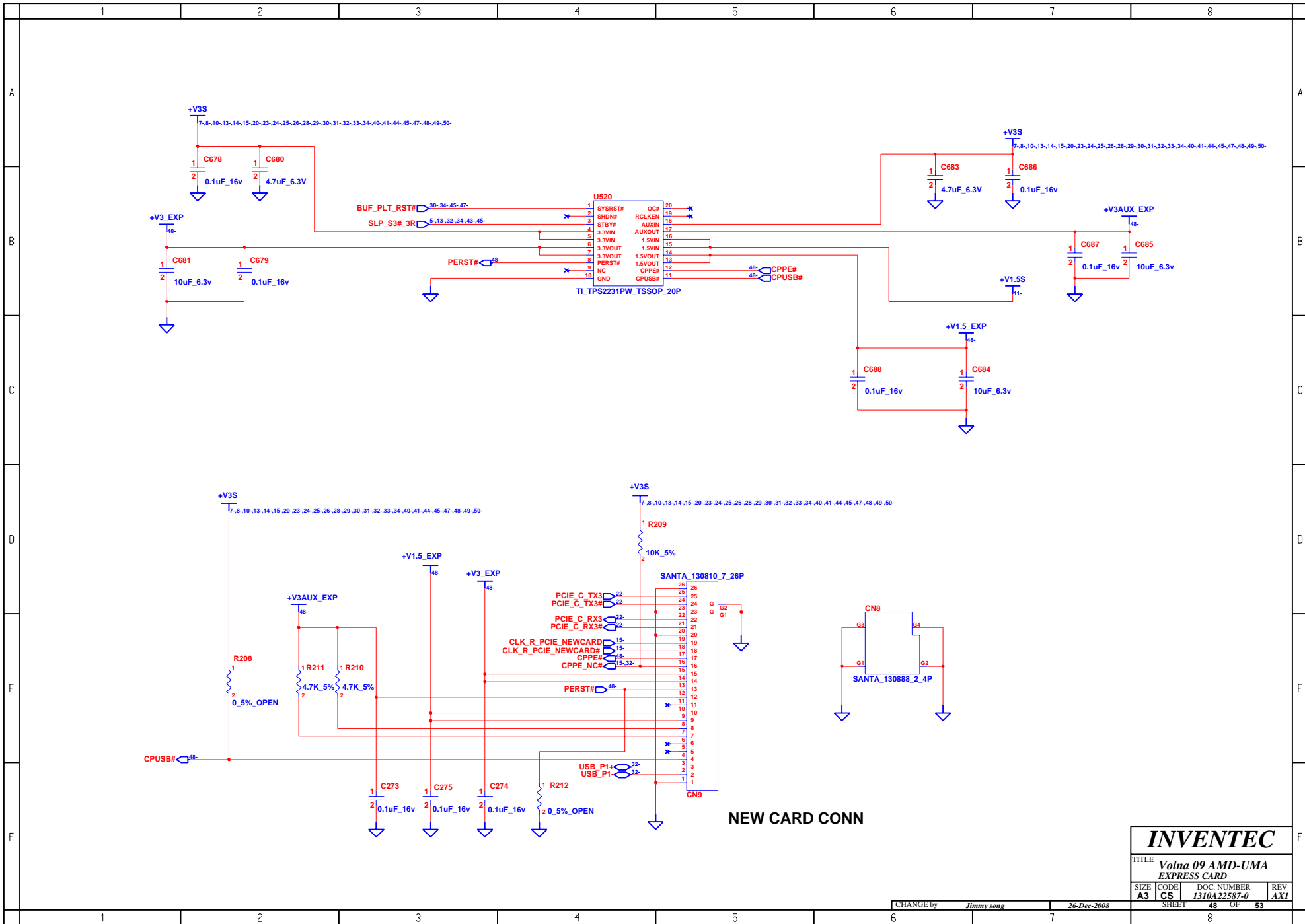
INVENTEC			
TITLE Volna 09 AMD-UMA NIC 10/100-RJ45 CONN			
SIZE A3	CODE CS	DOC. NUMBER 1310A22587-0	REV AX1
CHANGE by <i>Jimmy song</i>		26-Dec-2008	
SHEET 46		OF 53	



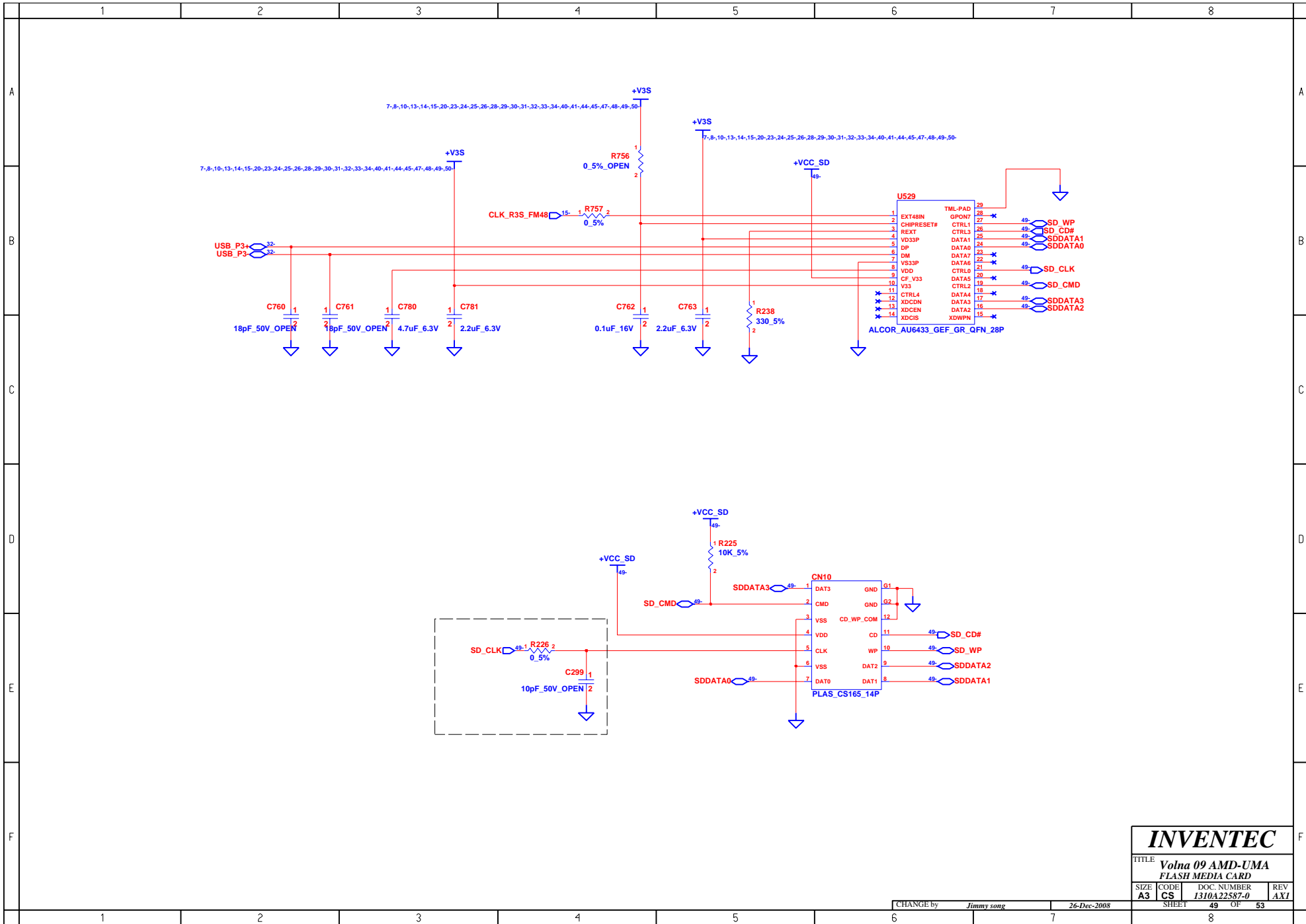
WLAN CTR

BLUETOOTH CTR

INVENTEC			
TITLE Volna 09 AMD-UMA MINICARD & BT CONN			
SIZE A3	CODE CS	DOC NUMBER I310A22587-0	REV AX1
CHANGE by <i>Jimmy song</i>		26-Dec-2008	
SHEET 47		OF 53	



INVENTEC			
TITLE Volna 09 AMD-UMA EXPRESS CARD			
SIZE A3	CODE CS	DOC. NUMBER I310A22587-0	REV AX1
CHANGE by <i>Jimmy song</i>		26-Dec-2008	
SHEET 48		OF 53	

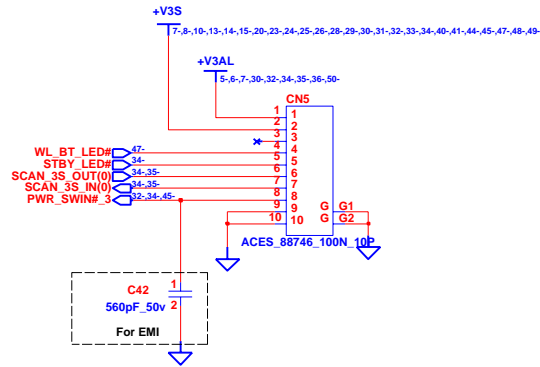


INVENTEC

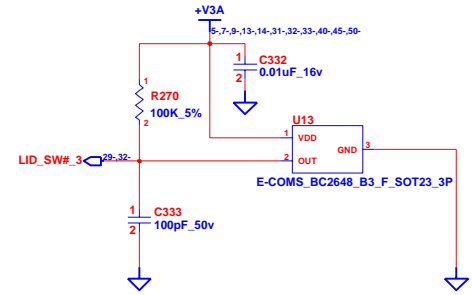
TITLE			
Volna 09 AMD-UMA FLASH MEDIA CARD			
SIZE	CODE	DOC. NUMBER	REV
A3	CS	1310A22587-0	AX1

CHANGE by Jimmy song 26-Dec-2008

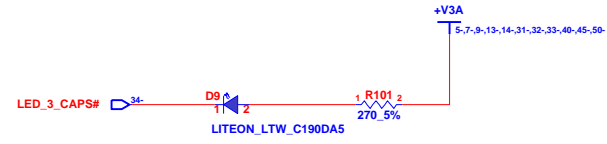
SHEET 49 OF 53



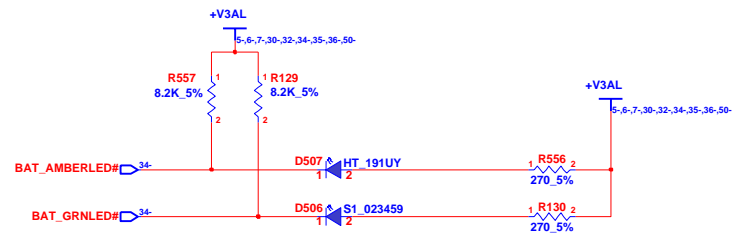
SWITCH DAUGHTER CONNECTOR



LID SWITCH



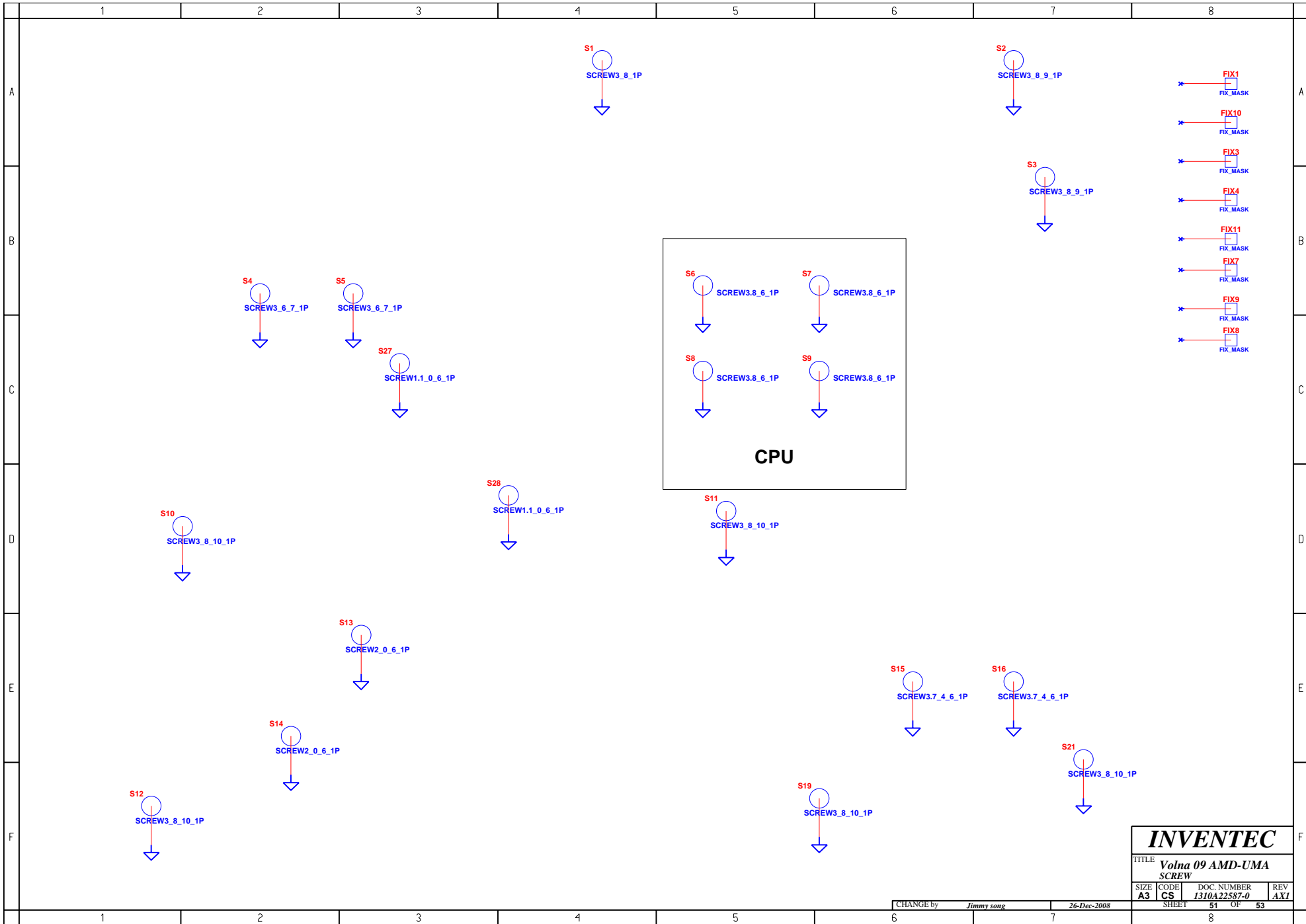
CAP LED



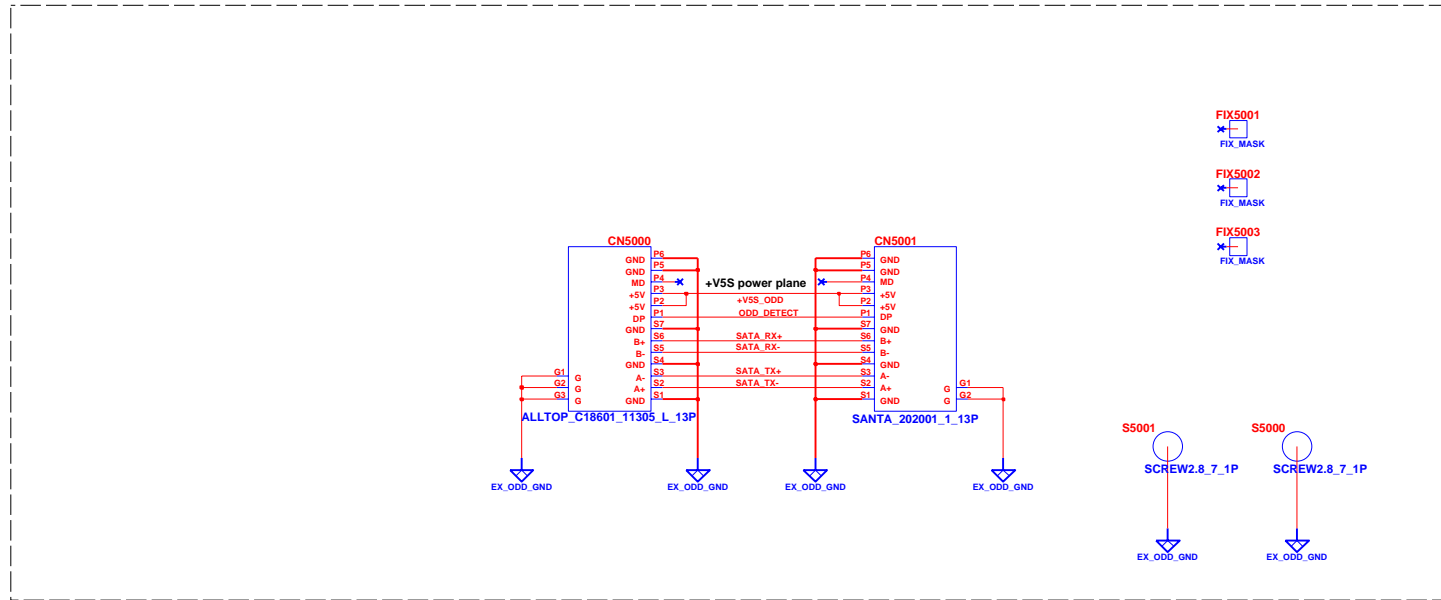
BATTERY-CHARGE LED

INVENTEC
 TITLE
Volna 09 AMD-UMA
BUTTON & LED

CHANGE by	Jimmy song	26-Dec-2008	SHEET	50	OF	53	
SIZE	A3	CODE	CS	DOC. NUMBER	1310A22587-0	REV	AX1



INVENTEC			
TITLE Volna 09 AMD-UMA			
SCREW			
SIZE	CODE	DOC. NUMBER	REV
A3	CS	1310A22587-0	AX1
CHANGE by <i>Jimmy song</i>		26-Dec-2008	
SHEET 51		OF 53	



ODD Extension Board

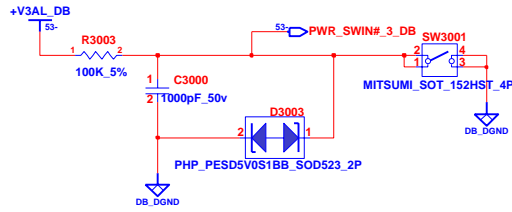
INVENTEC

TITLE
Volna 09 AMD-UMA
 ODD Extension Board

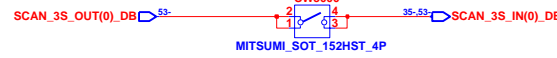
SIZE	CODE	DOC. NUMBER	REV
A3	CS	1310A22587-0	AX1

CHANGE by Jimmy song 26-Dec-2008

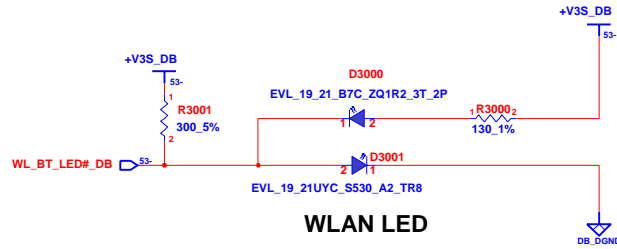
SHEET 52 OF 53



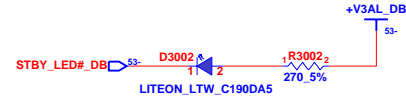
POWER BUTTON



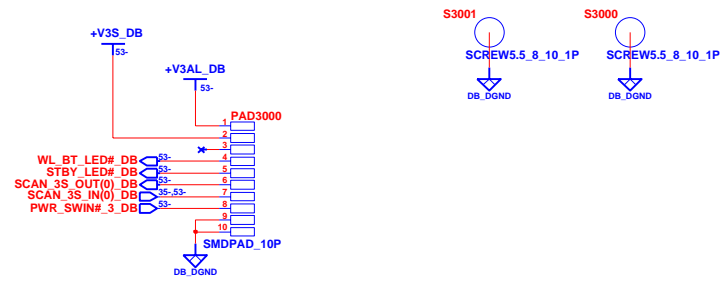
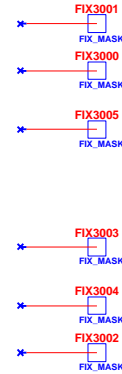
WIRELESS BUTTON



WLAN LED



POWER / STANDBY LED



LED & SWITCH PAD

SWITCH DAUGHTER BOARD

INVENTEC

TITLE
**Volna 09 AMD-UMA
SWITCH Board**

SIZE A3	CODE CS	DOC NUMBER 1310A22587-0	REV AX1
-------------------	-------------------	-----------------------------------	-------------------

CHANGE by *Jimmy song* 26-Dec-2008

SHEET 53 OF 53