

Compal confidential

Schematics Document

Mobile Merom uFCPGA with Intel
Crestline + ICH8-M core logic
IBT00 LA-3262P Discrete VGA (M64)

2007-08-02

REV:1A

機 密	等級	硬體二部
	產出人員	
	產出日期	
	解密日期	

Security Classification	Compal Secret Data			Title Compal Electronics, Inc.		
Issued Date	2006/09/25	Deciphered Date	2006/09/25	Cover Sheet		
<small>THIS SHEET OF ENGINEERING DRAWING IS THE PROPRIETARY PROPERTY OF COMPAL ELECTRONICS, INC. AND CONTAINS CONFIDENTIAL AND TRADE SECRET INFORMATION. THIS SHEET MAY NOT BE TRANSFERRED FROM THE CUSTODY OF THE COMPETENT DIVISION OF R&D DEPARTMENT. ENGINEERING IS AUTHORIZED BY COMPAL ELECTRONICS, INC. NEITHER THIS SHEET NOR THE INFORMATION IT CONTAINS MAY BE USED BY OR DISCLOSED TO ANY THIRD PARTY WITHOUT THE WRITTEN CONSENT OF COMPAL ELECTRONICS, INC.</small>				Size Custom	Document Number LA3262P DIS_M64	Rev 1A
				Date:	Tuesday, August 21, 2007	Sheet 1 of 57

Voltage Rails O MEANS ON X MEANS OFF

power plane / State	+B LDO3 LDO5	+5VALW +3VALW	+1.8V +5V +0.9V	+5VS +3VS +2.5VS +1.8VS +1.5VS +1.25VS +VGA_CORE +CPU_CORE +VCCP	+3VM +1.05VM +1.25VM	CLOCK
s0	O	O	O	O	O	O
s3/M1	O	O	O	X	O	O
s3	O	O	O	X	O	O
s5 S4/AC	O	O	X	X	O	O
s5 S4/ Battery only	O	X	X	X	X	X
s5 S4/AC & Battery don't exist	X	X	X	X	X	X

PCI Devices

EXTERNAL	IDSEL#	REQ/GNT#	PIRQ
CARD BUS & 1394	AD22	2	C,D,E,G

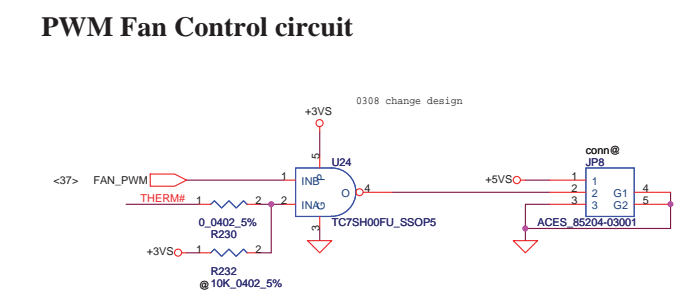
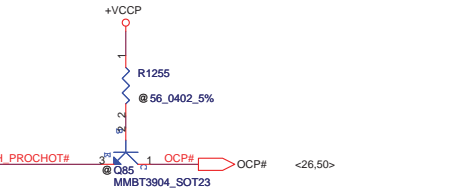
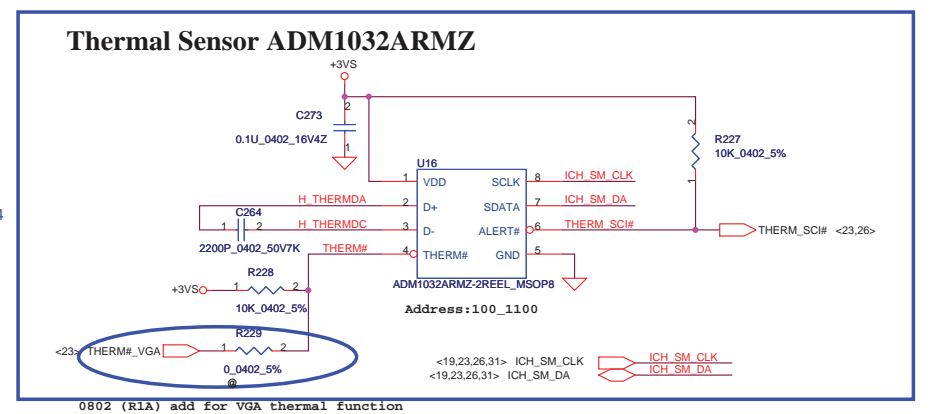
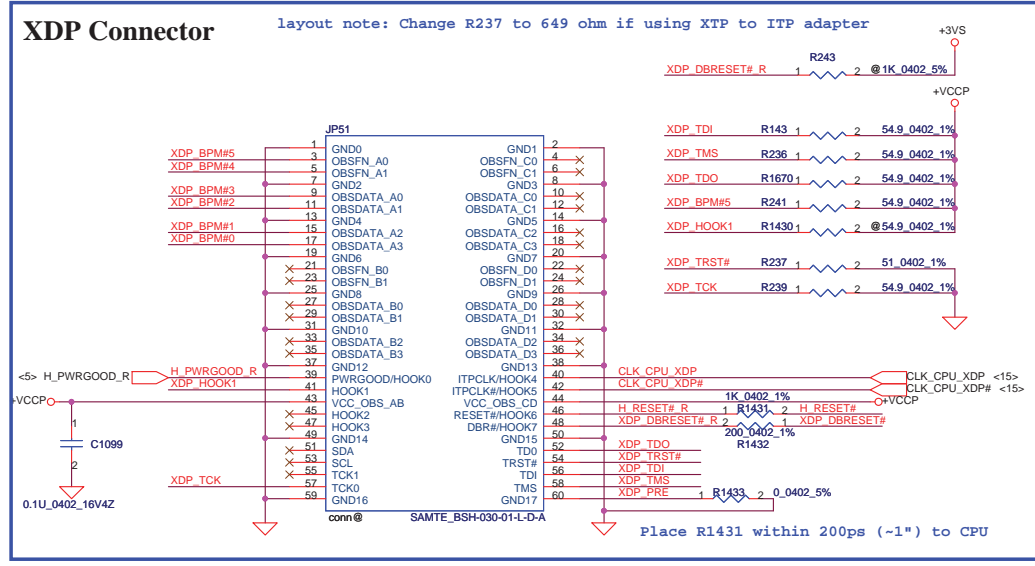
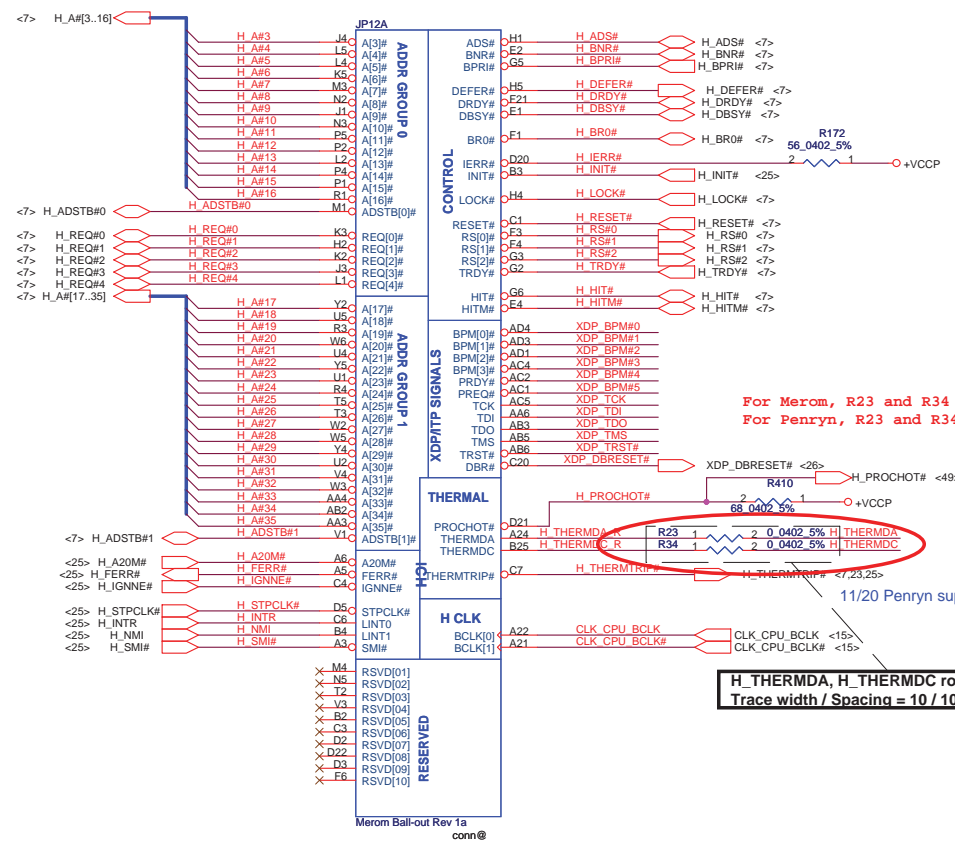
DMA Channel	Device
DMA0	MODEM / LAN
DMA1	ECP
DMA2	FLOPPY DISK
DMA3	AUDIO
DMA4	(Cascade)
DMA5	Unused
DMA6	Unused
DMA7	Unused

USB PORT#	Destination
0	Walk-up0 (Right side)
1	Fingerprint
2	Reserve
3	WWAN
4	Walk-up1 (Left Side)
5	Walk-up2 (Left Side)
6	Bluetooth
7	Reserve
8	Docking
9	Docking

IRO	Device
0	System Timer
1	Keyboard
2	N/A
3	Serial port (COM2),LAN/Modem
4	Serial port (COM1)
5	Audio/VGA
6	Floppy
7	Parallel port
8	System CMOS/Real-time clock
9	Microsoft ACPI
10	N/A,Momem,LAN
11	Mass storage control/ PCI simple communication control
12	synactic PS2 port GlidePAD
13	Numeric Data Process
14	Primary IDE interface,HDD
15	Secondary IDE innterface,CD-ROM
16	Mobile Intel Crestline Express Chipset Family Microsoft UAA Bus Driver for High Definition Audio Intel 82801H (ICH8 Family) PCI Express Root Port -27D0 Broadcom NetXtreme Gigabit Ethernet
17	Intel 82801H (ICH8 Family)PCI Express Root Port - 27D2 Broadcom 802.11b/g WLAN Intel 82801H (ICH8 Family)USB Universal Host Controll
18	Intel 82801H (ICH8 Family)USB Universal Host Controll Ricoh R5C853 Cardbus Control Ricoh R5C853 Integrates FlashMedia Control Ricoh R5C853 Gemcore based SmartCard Control
19	Intel 82801H (ICH8 Family)PCI Express Root Port - 27D6 Intel 82801H (ICH8 Family)USB Universal Host Controll
20	Intel 82801H (ICH8 Family)USB Universal Host Controll Intel 82801H (ICH8 Family)USB2 Enhanced Host Controll
21	Intel 82801H (ICH8 Family)USB Universal Host Controll
22	SDA Standard Compliant SD Host Controller
23	HP Mobile Data Protection Sensor

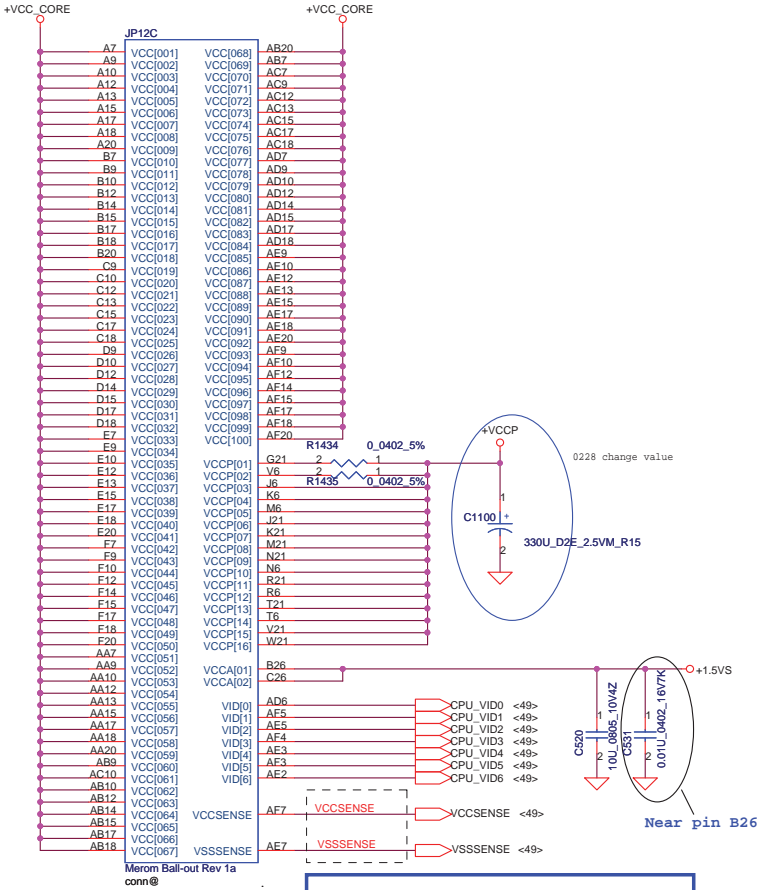
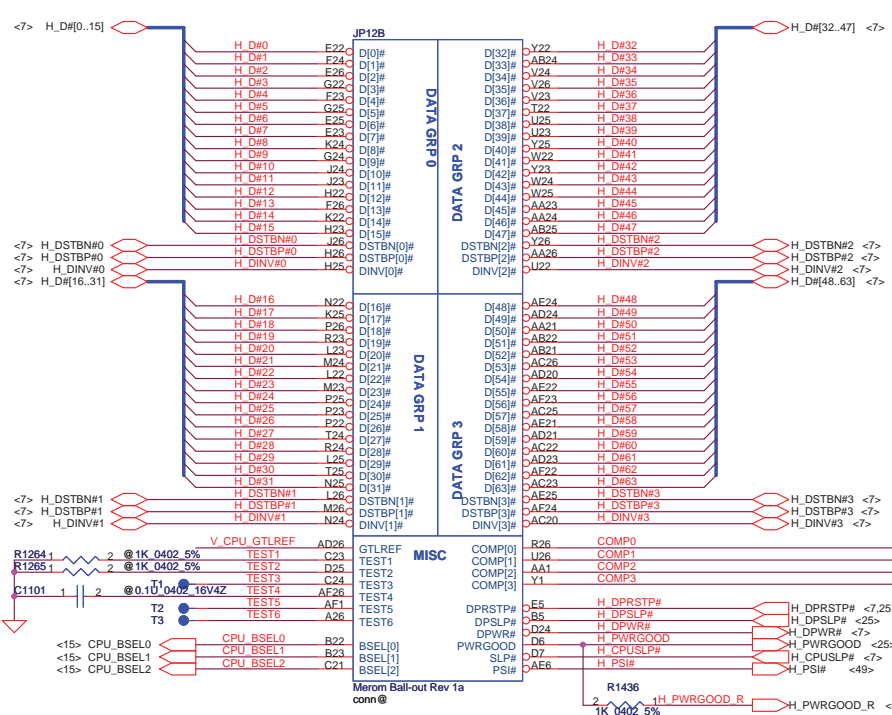
Security Classification	Compal Secret Data		Title	
Issued Date	2006/09/25	Deciphered Date	2006/09/25	Compal Electronics, Inc.
<small>THIS SHEET OF ENGINEERING DRAWING IS THE PROPRIETARY PROPERTY OF COMPAL ELECTRONICS, INC. AND CONTAINS CONFIDENTIAL AND TRADE SECRET INFORMATION. THIS SHEET MAY NOT BE TRANSFERRED FROM THE CUSTODY OF THE COMPETENT DIVISION OF R&D DEPARTMENT. EXCEPT AS AUTHORIZED BY COMPAL SECRET POLICY, NO PART OF THIS SHEET OR THE INFORMATION IT CONTAINS MAY BE REPRODUCED OR TRANSMITTED IN ANY FORM OR BY ANY MEANS, ELECTRONIC OR MECHANICAL, INCLUDING PHOTOCOPYING, RECORDING, OR BY ANY INFORMATION STORAGE AND RETRIEVAL SYSTEM.</small>				Document Number LA3262P_DIS_M64
Size	Custom	Rev	1A	
Date:	Tuesday, August 21, 2007	Sheet	3	of 57

<http://laptop-moth.com> www.laptop-moth.com



Security Classification	Compal Secret Data		Title	
Issued Date	2006/09/25	Deciphered Date	2006/09/25	Merom(1/3)-AGTL+/XDP
THIS SHEET OF ENGINEERING DRAWING IS THE PROPRIETARY PROPERTY OF COMPAL ELECTRONICS, INC. AND CONTAINS CONFIDENTIAL AND TRADE SECRET INFORMATION. THIS SHEET MAY NOT BE TRANSFERRED FROM THE CUSTODY OF THE COMPETENT DIVISION OF R&D DEPARTMENT ENGINEERS IN THE DESIGN OF COMPAL ELECTRONICS, INC. NEITHER THIS SHEET NOR THE INFORMATION CONTAINED THEREIN MAY BE USED BY OR DISCLOSED TO ANY THIRD PARTY WITHOUT PRIOR WRITTEN CONSENT OF COMPAL ELECTRONICS, INC.				
Size	Document Number	Rev	Date	
A4	LA3262P_DIS_M64	1A	Tuesday, August 21, 2007	
Date:			Sheet	4 of 57

<http://laptop-motherboard-schematic.blogspot.com>

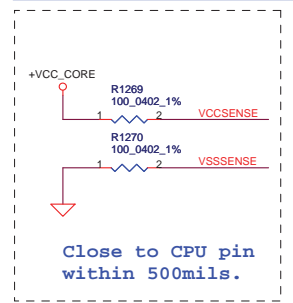
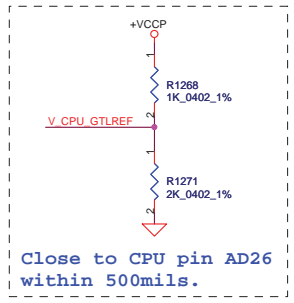


layout note: Route TEST3 & TEST5 traces on ground referenced layer to the TPs

CPU_BSEL	CPU_BSEL2	CPU_BSEL1	CPU_BSEL0
166	0	1	1
200	0	1	0

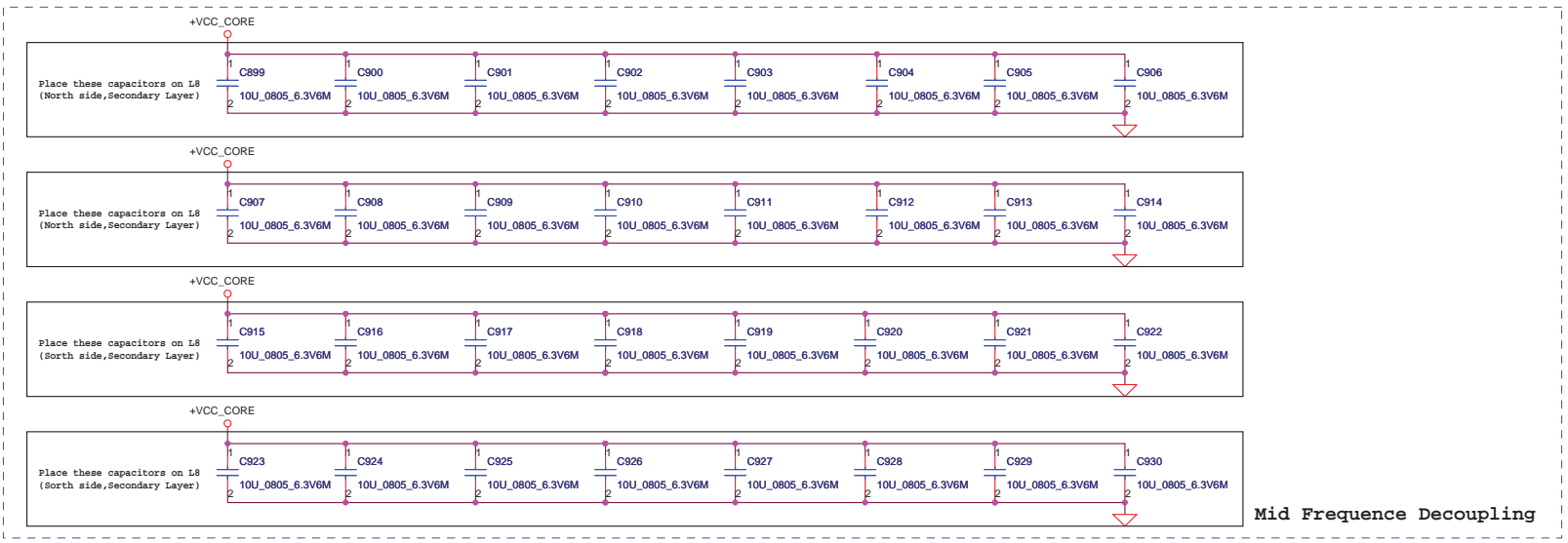
Resistor placed within 0.5" of CPU pin. Trace should be at least 25 mils away from any other toggling signal. COMP[0,2] trace width is 18 mils. COMP[1,3] trace width is 4 mils.

Length match within 25 mils. The trace width/space/other is 20/7/25.

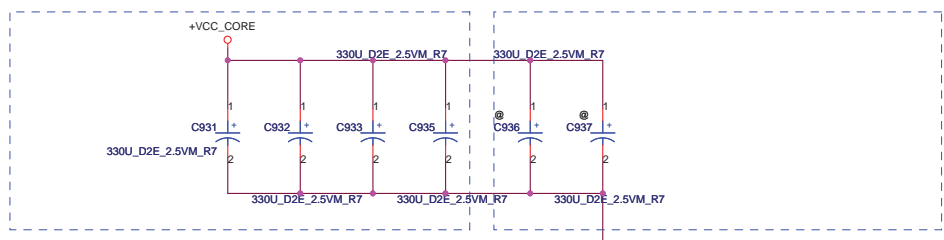


A4	JP12D	VSS[001]	VSS[082]	P6
A8		VSS[002]	VSS[083]	P21
A11		VSS[003]	VSS[084]	P24
A14		VSS[004]	VSS[085]	R5
A16		VSS[005]	VSS[086]	R22
A19		VSS[006]	VSS[087]	R25
A23		VSS[007]	VSS[088]	T1
AF2		VSS[008]	VSS[089]	T14
B6		VSS[009]	VSS[090]	T23
B8		VSS[010]	VSS[091]	T26
B11		VSS[011]	VSS[092]	U3
B12		VSS[012]	VSS[093]	U6
B16		VSS[013]	VSS[094]	U21
B19		VSS[014]	VSS[095]	U24
B21		VSS[015]	VSS[096]	V2
B24		VSS[016]	VSS[097]	V5
C5		VSS[017]	VSS[098]	V22
C6		VSS[018]	VSS[099]	V25
C11		VSS[019]	VSS[100]	W1
C14		VSS[020]	VSS[101]	W4
C16		VSS[021]	VSS[102]	W23
C19		VSS[022]	VSS[103]	W26
C2		VSS[023]	VSS[104]	Y3
C22		VSS[024]	VSS[105]	Y6
C25		VSS[025]	VSS[106]	Y21
D1		VSS[026]	VSS[107]	Y24
D4		VSS[027]	VSS[108]	AA2
D8		VSS[028]	VSS[109]	AA5
D11		VSS[029]	VSS[110]	AA14
D16		VSS[030]	VSS[111]	AA16
D19		VSS[031]	VSS[112]	AA19
D23		VSS[032]	VSS[113]	AA22
D24		VSS[033]	VSS[114]	AA25
E3		VSS[034]	VSS[115]	AB1
E6		VSS[036]	VSS[117]	AB4
E8		VSS[037]	VSS[118]	AB8
E11		VSS[038]	VSS[119]	AB11
E14		VSS[039]	VSS[120]	AB13
E16		VSS[040]	VSS[121]	AB16
E19		VSS[041]	VSS[122]	AB19
E21		VSS[042]	VSS[123]	AB23
E24		VSS[042]	VSS[123]	AB26
F5		VSS[043]	VSS[124]	AC3
F8		VSS[044]	VSS[125]	AC6
F11		VSS[045]	VSS[126]	AC8
F13		VSS[046]	VSS[127]	AC11
F16		VSS[047]	VSS[128]	AC14
F19		VSS[048]	VSS[129]	AC16
F2		VSS[049]	VSS[130]	AC19
F22		VSS[050]	VSS[131]	AC21
F25		VSS[051]	VSS[132]	AC24
G4		VSS[052]	VSS[133]	AD2
G1		VSS[053]	VSS[134]	AD5
G23		VSS[054]	VSS[135]	AD8
G26		VSS[055]	VSS[136]	AD11
H3		VSS[056]	VSS[137]	AD13
H6		VSS[057]	VSS[138]	AD16
H21		VSS[058]	VSS[139]	AD19
H24		VSS[059]	VSS[140]	AD22
J2		VSS[060]	VSS[141]	AD25
J5		VSS[061]	VSS[142]	AE1
J22		VSS[062]	VSS[143]	AE4
J25		VSS[063]	VSS[144]	AE8
K1		VSS[064]	VSS[145]	AE11
K4		VSS[065]	VSS[146]	AE14
K23		VSS[066]	VSS[147]	AE16
K26		VSS[067]	VSS[148]	AE19
L3		VSS[068]	VSS[149]	AE23
L6		VSS[069]	VSS[150]	AE26
L21		VSS[070]	VSS[151]	A2
L24		VSS[071]	VSS[152]	A6
M2		VSS[072]	VSS[153]	A8
M5		VSS[074]	VSS[155]	A11
M22		VSS[075]	VSS[156]	A13
M25		VSS[076]	VSS[157]	A16
N1		VSS[077]	VSS[158]	A19
N4		VSS[078]	VSS[159]	A21
N23		VSS[079]	VSS[160]	A25
N26		VSS[080]	VSS[161]	AF2
P3		VSS[081]	VSS[162]	AF5
			VSS[163]	

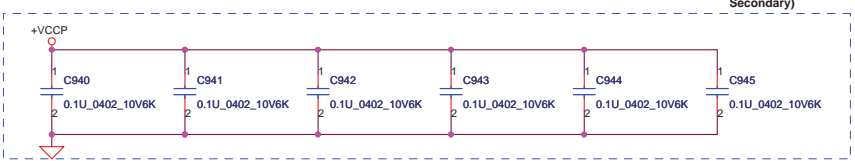
Merom Ball-out Rev 1a
conn@



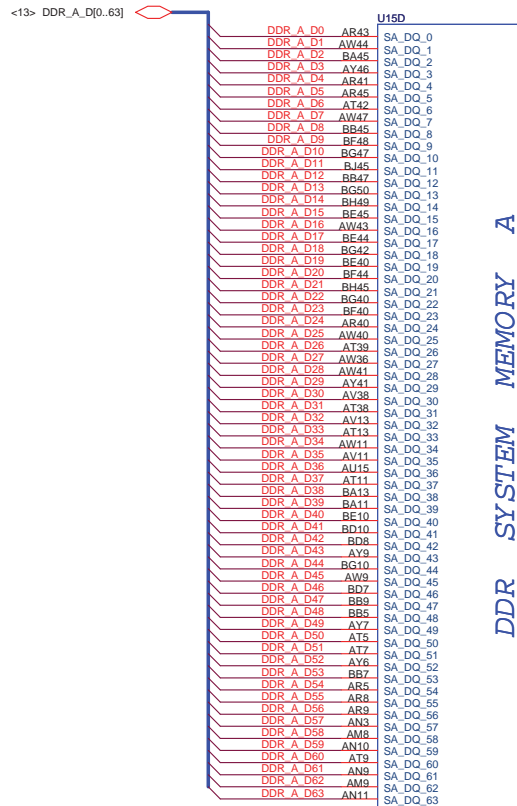
Near CPU CORE regulator
ESR <= 1.5m ohm
Capacitor > 1980uF



Place these inside
socket cavity on L8
(North side
Secondary)

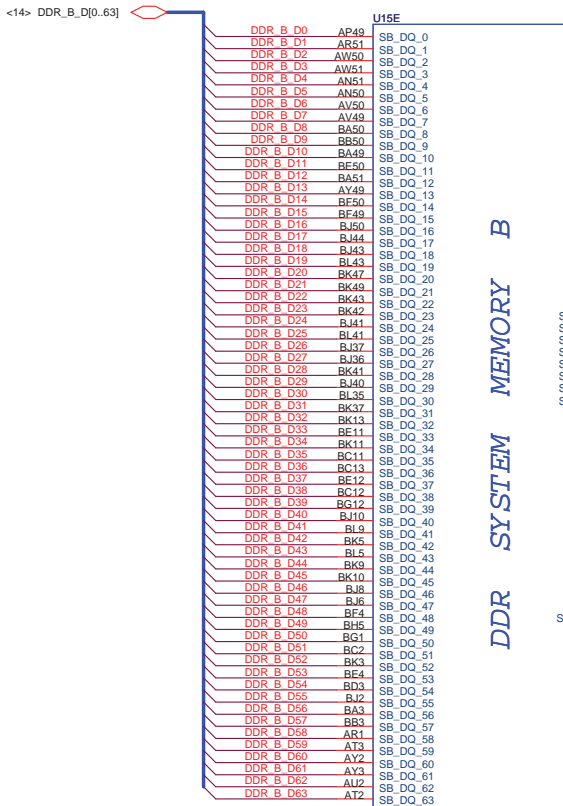


Security Classification	Compal Secret Data		Title	
Issued Date	2006/09/25	Deciphered Date	2006/09/25	Merom(3/3)-GND&Bypass
<small>THIS SHEET OF ENGINEERING DRAWING IS THE PROPRIETARY PROPERTY OF COMPAL ELECTRONICS, INC. AND CONTAINS CONFIDENTIAL AND TRADE SECRET INFORMATION. THIS SHEET MAY NOT BE TRANSFERRED FROM THE CUSTODY OF THE COMPETENT DIVISION OF R&D DEPARTMENT ENGINEERING AUTHORIZED BY COMPAL ELECTRONICS, INC. NEITHER THIS SHEET NOR THE INFORMATION IT CONTAINS MAY BE USED BY OR DISCLOSED TO ANY THIRD PARTY WITHOUT PRIOR WRITTEN CONSENT OF COMPAL ELECTRONICS, INC.</small>				Size Document Number LA3262P_DIS_M64 Date: Tuesday, August 21, 2007
http://laptop-motherboard-schematic.blogspot.com				Rev 1A Sheet 6 of 57



DDR SYSTEM MEMORY A

CRESTLINE_1p0

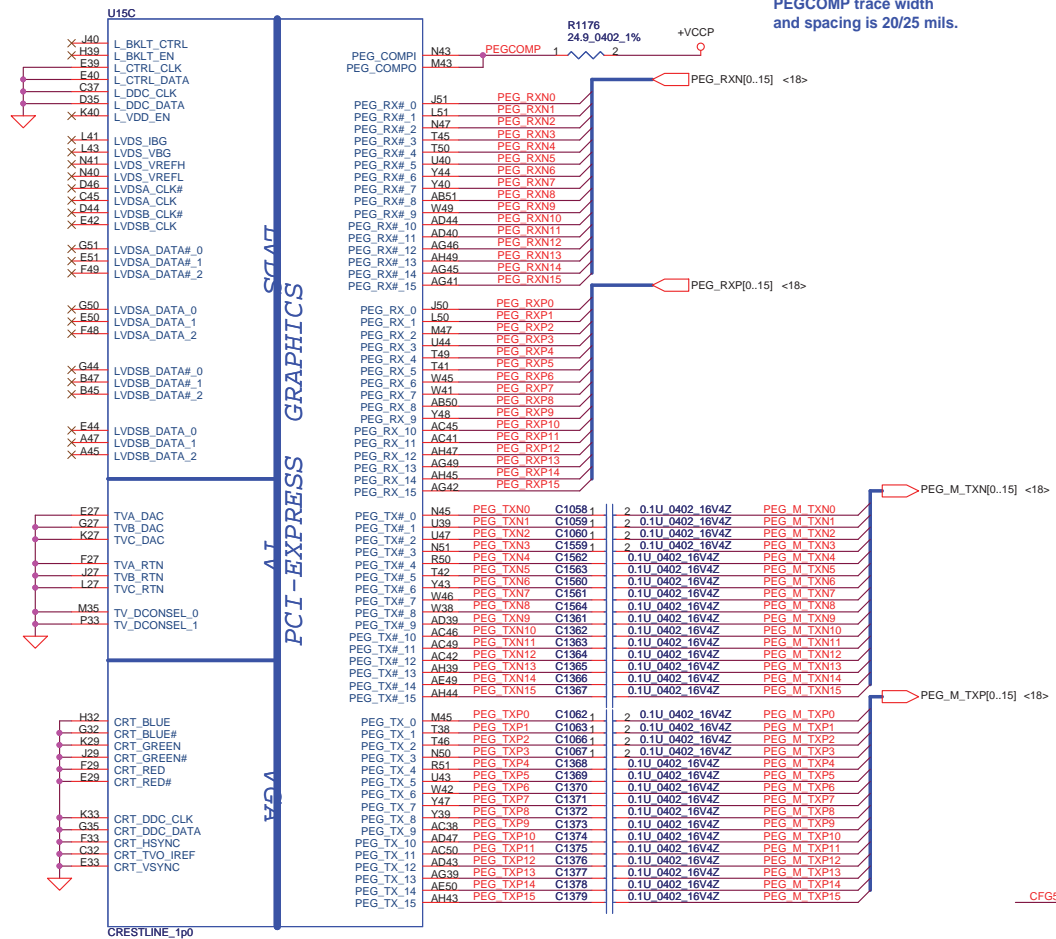


DDR SYSTEM MEMORY B

CRESTLINE_1p0

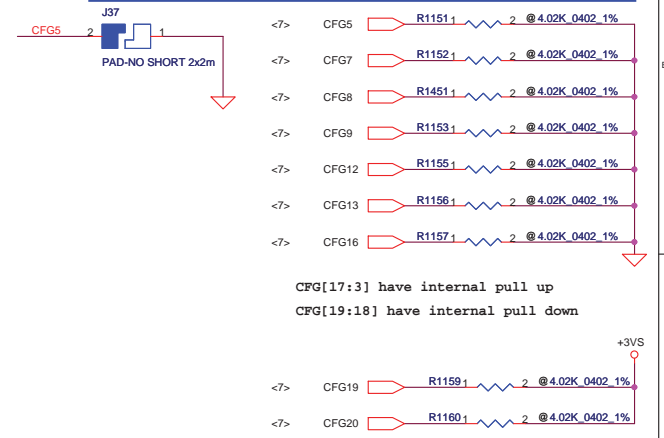
Security Classification	Compal Secret Data		Title	
Issued Date	2006/09/25	Deciphered Date	2006/09/25	CRESTLINE((2/6)-DDR2 A/B CH
<small>THIS SHEET OF ENGINEERING DRAWING IS THE PROPRIETARY PROPERTY OF COMPAL ELECTRONICS, INC. AND CONTAINS CONFIDENTIAL AND TRADE SECRET INFORMATION. THIS SHEET MAY NOT BE TRANSFERRED FROM THE CUSTODY OF THE COMPETENT DIVISION OF R&D DEPARTMENT ENGINEERING AUTHORIZED BY COMPAL ELECTRONICS, INC. WITHOUT THE WRITTEN PERMISSION OF COMPAL ELECTRONICS, INC. IT MAY BE USED ONLY BY OR ON BEHALF OF ANY THIRD PARTY WITH THE UT MOST WRITTEN PERMISSION OF COMPAL ELECTRONICS, INC.</small>				Document Number LA3262P DIS_M64
Date: Tuesday, August 21, 2007				Rev 1A
Sheet 8 of 57				

<http://laptop-motherboard-schematic.blogspot.com>



Strap Pin Table

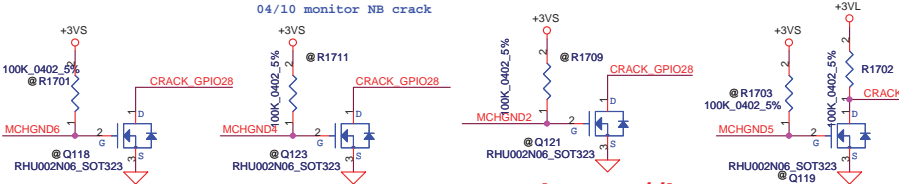
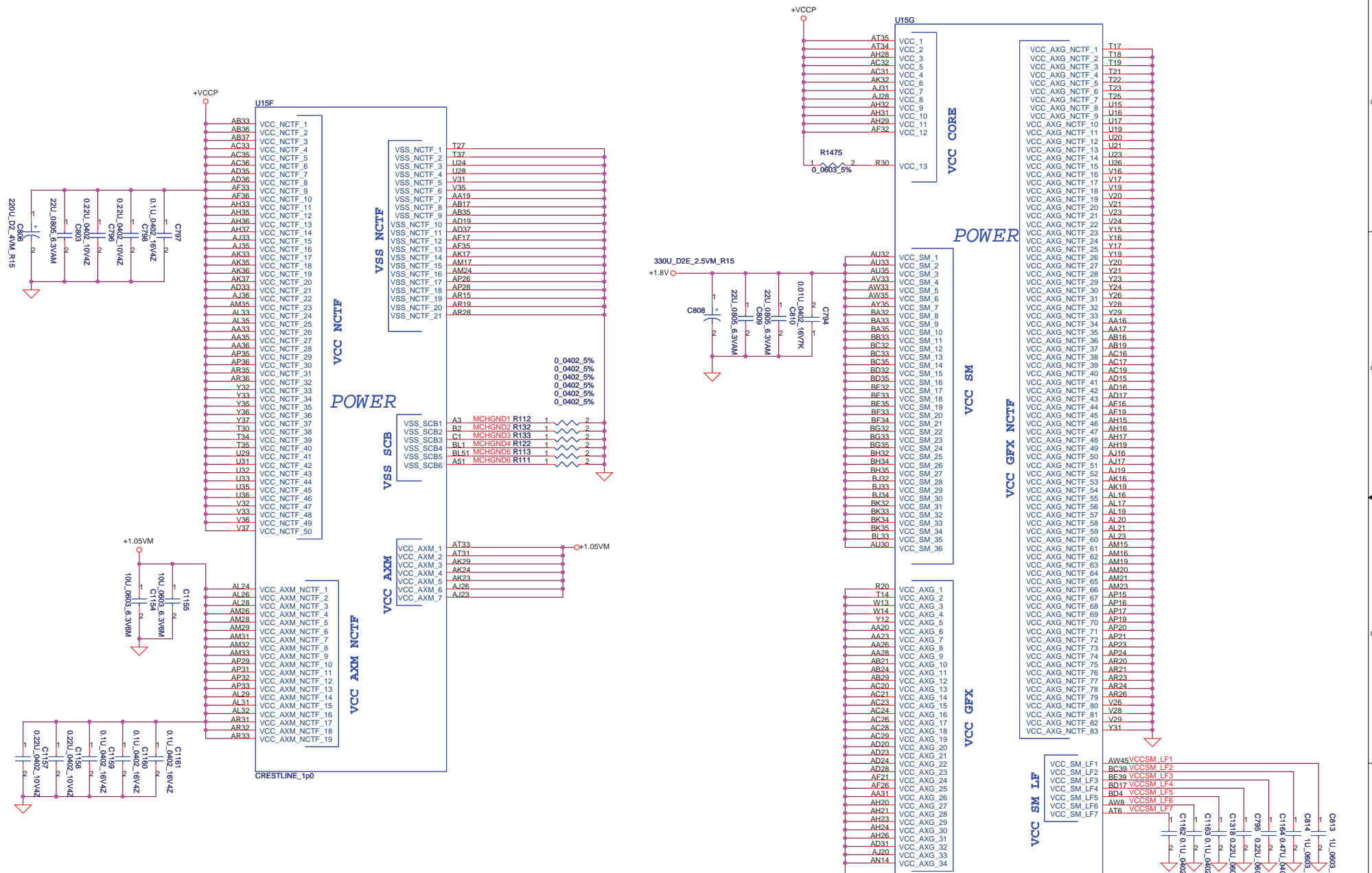
CFG[2:0] FSB Freq select	010 = FSB 800MHz 011 = FSB 667MHz Others = Reserved
CFG5 (DMI select)	0 = DMI x 2 1 = DMI x 4 *
CFG6	Reserved
CFG7 (CPU Strap)	0 = Reserved 1 = Mobile CPU *
CFG8 (Low power PCIe)	0 = Normal mode 1 = Low Power mode *
CFG9 (PCIe Graphics Lane Reversal)	0 = Reverse Lane 1 = Normal Operation *
CFG[11:10]	Reserved
CFG[13:12] (XOR/ALLZ)	00 = Reserved 01 = XOR Mode Enabled 10 = All Z Mode Enabled 11 = Normal Operation(Default) *
CFG[15:14]	Reserved
CFG16 (FSB Dynamic ODT)	0 = Disabled 1 = Enabled *
CFG[18:17]	Reserved
SDVO_CTRLDATA	0 = No SDVO Device Present * 1 = SDVO Device Present
CFG19 (DMI Lane Reversal)	0 = Normal Operation (Lane number in Order) * 1 = Reverse Lane
CFG20 (PCIe/SDVO concurrent)	0 = Only PCIe or SDVO is operational. * 1 = PCIe/SDVO are operating simu.



Security Classification	Compal Secret Data	
Issued Date	2006/09/25	Deciphered Date
		2006/09/25

Compal Electronics, Inc.	
CRESTLINE((3/6)-VGA/LVDS/TV	
Size	Document Number
Change	LA3262P_DIS_M64
Date:	Tuesday, August 21, 2007
Sheet	9 of 57

THIS SHEET OF ENGINEERING DRAWING IS THE PROPRIETARY PROPERTY OF COMPAL ELECTRONICS, INC. AND CONTAINS CONFIDENTIAL AND TRADE SECRET INFORMATION. THIS SHEET MAY NOT BE TRANSFERRED FROM THE CUSTODY OF THE COMPETENT DIVISION OF R&D DEPARTMENT ENGINEERING AUTHORIZED BY COMPAL ELECTRONICS, INC. NEITHER THIS SHEET NOR THE INFORMATION IT CONTAINS MAY BE REPRODUCED OR DISCLOSED TO ANY THIRD PARTY WITHOUT THE WRITTEN CONSENT OF COMPAL ELECTRONICS, INC.

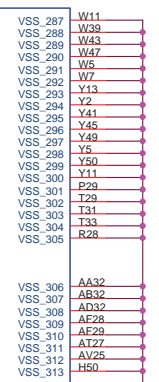
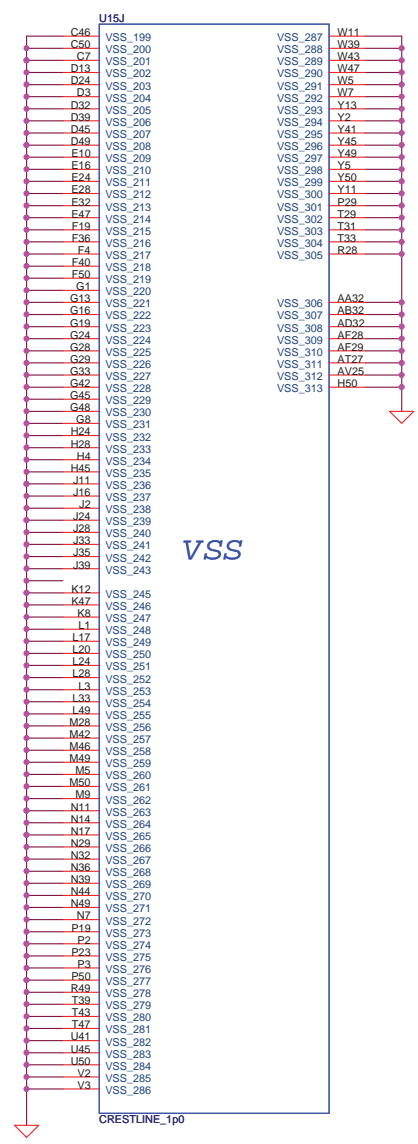
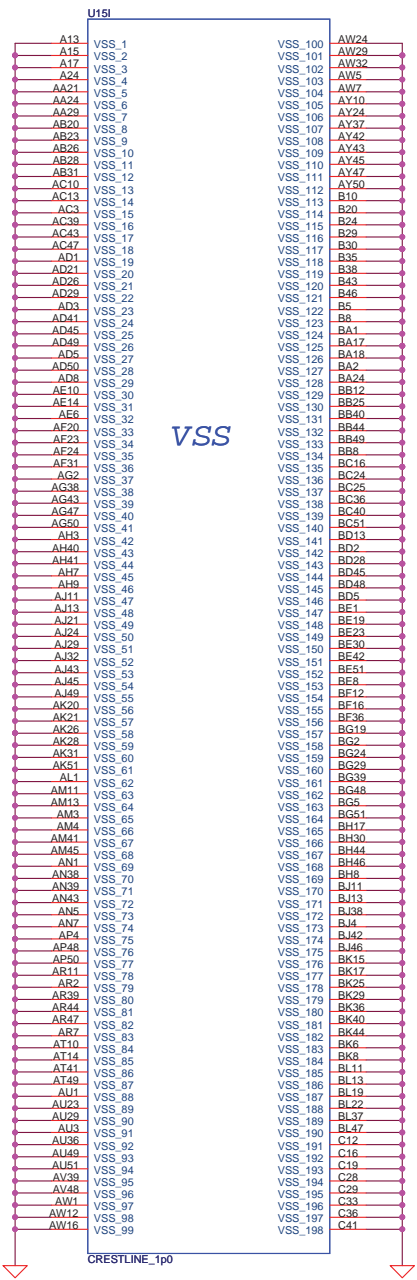


Security Classification	Compal Secret Data	
Issued Date	2006/09/25	Deciphered Date
		2006/09/25

Compal Electronics, Inc.	
CRESTLINE((5/6)-PWR/GND	
Title	Document Number
	LA3262P_DIS_M64
Date:	Rev
Tuesday, August 21, 2007	1A

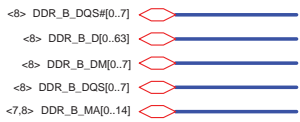
<http://laptop-motherboard-schematic.org/poc.com>

THIS SHEET OF ENGINEERING DRAWING IS THE PROPRIETARY PROPERTY OF COMPAL ELECTRONICS, INC. AND CONTAINS CONFIDENTIAL AND TRADE SECRET INFORMATION. THIS SHEET MAY NOT BE TRANSFERRED FROM THE CUSTOMER TO ANY OTHER DIVISION OF R&D DEPARTMENT, ENGINEERING, OR MANUFACTURING DEPARTMENT OF COMPAL ELECTRONICS, INC. WITHOUT THE WRITTEN PERMISSION OF COMPAL ELECTRONICS, INC. ANY UNAUTHORIZED REPRODUCTION OR USE OF THIS SHEET IS PROHIBITED. COMPAL ELECTRONICS, INC. IS NOT RESPONSIBLE FOR ANY DAMAGE TO PROPERTY OR PERSONS ARISING FROM THE USE OF THIS SHEET.

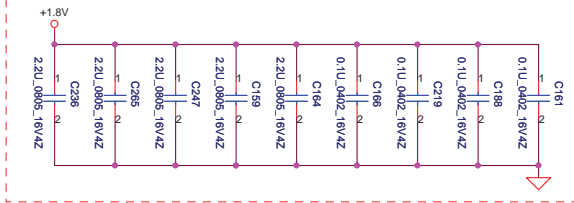


Security Classification	Compal Secret Data		Title	
Issued Date	2006/09/25	Deciphered Date	2006/09/25	Compal Electronics, Inc.
				CRESTLINE((6/6)-PWR/GND
THIS SHEET OF ENGINEERING DRAWING IS THE PROPRIETARY PROPERTY OF COMPAL ELECTRONICS, INC. AND CONTAINS CONFIDENTIAL AND TRADE SECRET INFORMATION. THIS SHEET MAY NOT BE TRANSFERRED FROM THE CUSTODY OF THE COMPETENT DIVISION OF R&D DEPARTMENT. ENGINEER'S AUTHORIZED BY COMPAL ELECTRONICS, INC. WHETHER THIS SHEET OR THE INFORMATION IT SO CONTAINS MAY BE USED BY OR DISCLOSED TO ANY THIRD PARTY WITHOUT THE WRITTEN CONSENT OF COMPAL ELECTRONICS, INC.				Size Custort
				Document Number LA3262P_DIS_M64
				Rev 1A
Date: Tuesday, August 21, 2007				Sheet 12 of 57

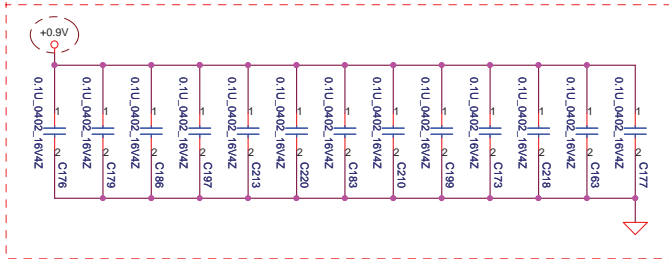
<http://laptop-motherboard-schematic.blogspot.com>



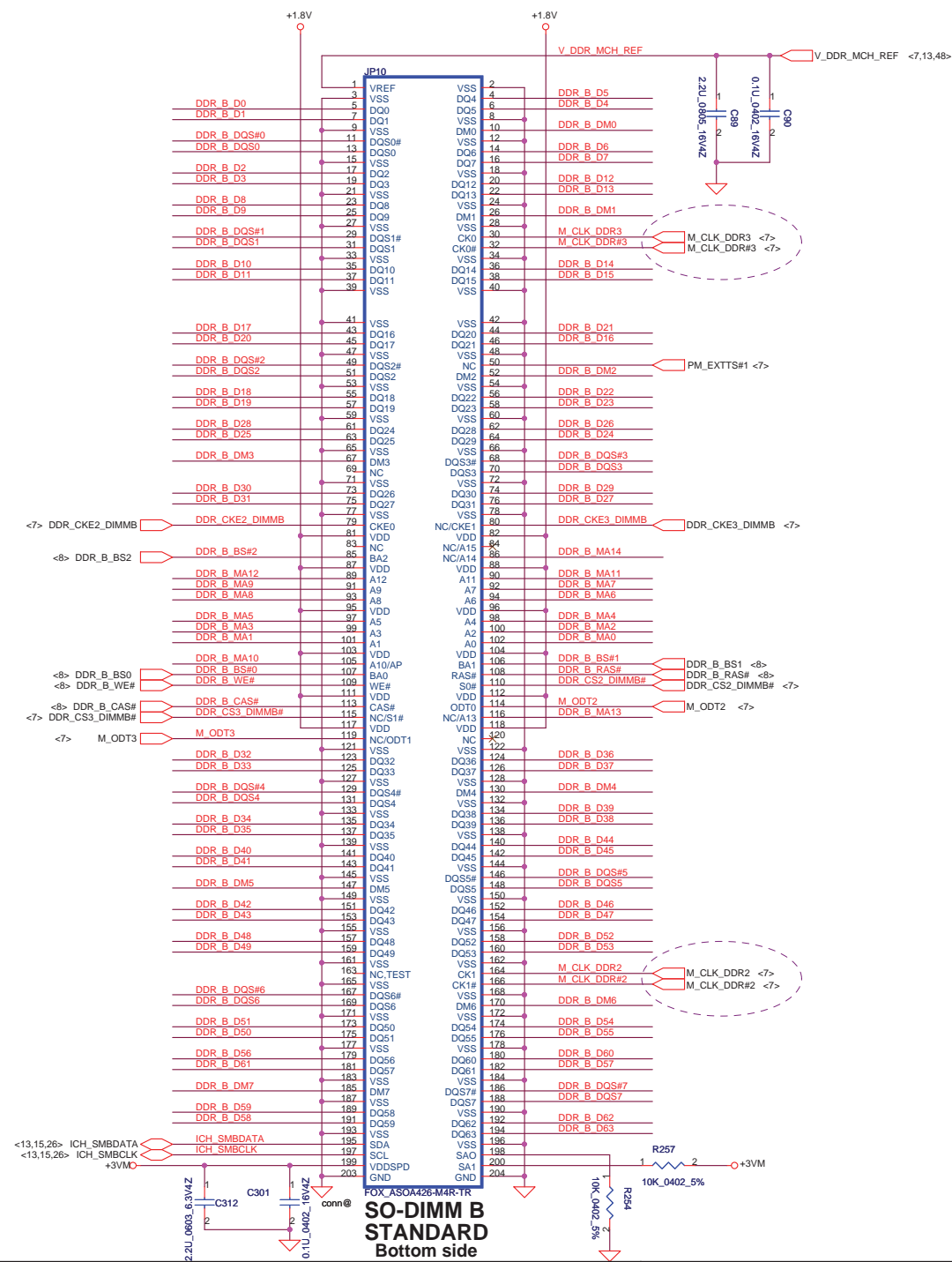
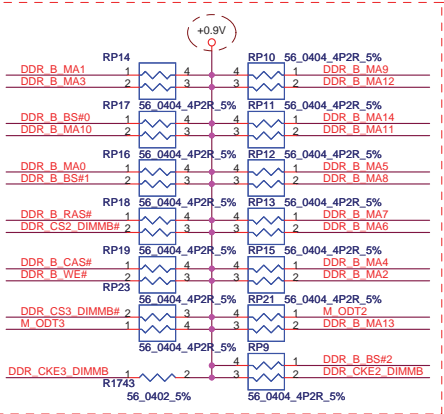
Layout Note:
Place near JP10



Layout Note:
Place one cap close to every 2 pullup resistors terminated to +0.9V



Layout Note:
Place these resistor closely JP10, all trace length Max=1.5"



Security Classification	Compal Secret Data	
Issued Date	2006/09/25	Deciphered Date
		2006/09/25

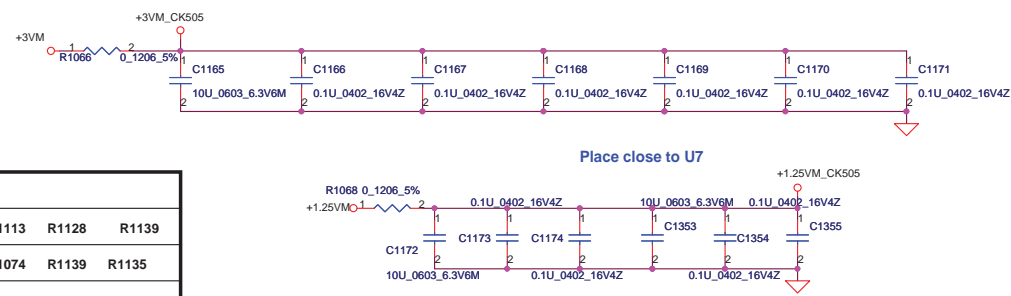
Compal Electronics, Inc.		
DDRII-SODIMM SLOT2		
Size	Document Number	Rev
	LA3262P_DIS_M64	1A

THIS SHEET OF ENGINEERING DRAWING IS THE PROPRIETARY PROPERTY OF COMPAL ELECTRONICS, INC. AND CONTAINS CONFIDENTIAL AND TRADE SECRET INFORMATION. THIS SHEET MAY NOT BE TRANSFERRED FROM THE CUSTODY OF THE COMPETENT DIVISION OF R&D DEPARTMENT ENGINEERING'S AUTHORIZED COMPAL ELECTRONICS, INC. EMPLOYEES. IF YOU HAVE THIS SHEET FOR THE INFORMATION OF SO, IT MAY BE USED BY YOU OR ANY OTHER PARTY WITHOUT THE WRITTEN CONSENT OF COMPAL ELECTRONICS, INC.

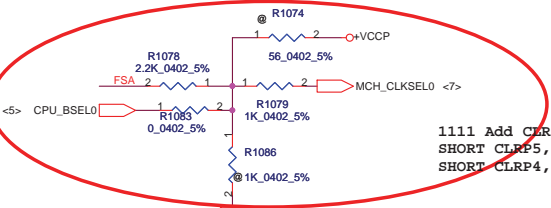
FSLC	FSLB	FSLA	CPU	SRC	PCI
CLKSEL2	CLKSEL1	CLKSEL0	MHZ	MHZ	MHZ
0	1	0	200	100	33.3
0	1	1	166	100	33.3

FSB Frequency Selet:

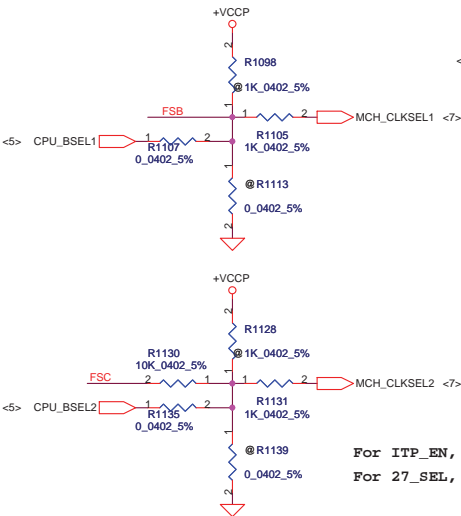
CPU Driven	Stuff	R1107	R1135	R1083
*(Default)	No Stuff	R1074	R1086	R1098 R1113 R1128 R1139
	Stuff	R1086	R1139 R1135	R1074 R1139 R1135
667MHz	No Stuff	R1083	R1107 R1128	R1113 R1098
	Stuff	R1135	R1139	
800MHz	No Stuff	R1083	R1086 R1098	R1128
	Stuff	R1074	R1107 R1113	



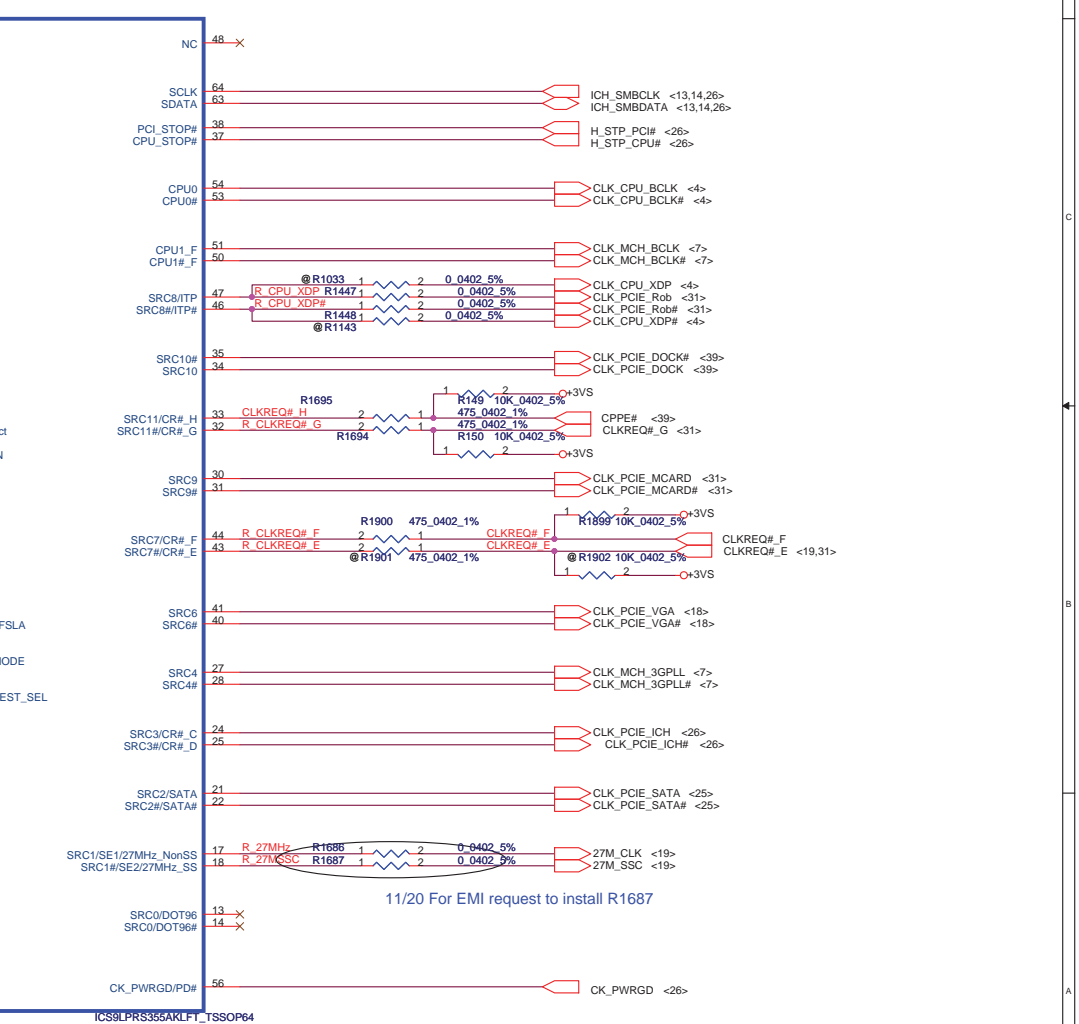
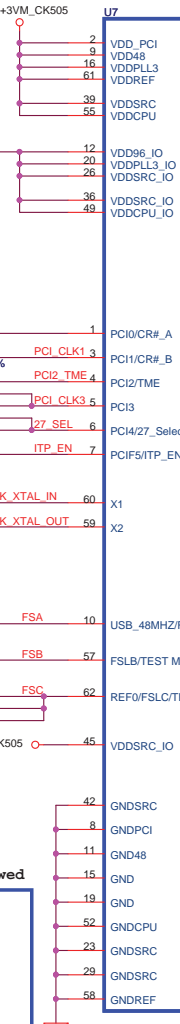
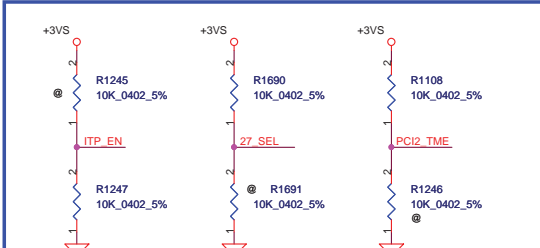
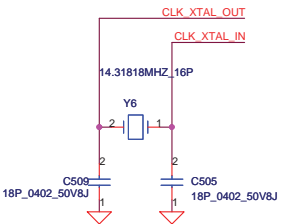
C353	2	1	CLK 48M ICH
C357	2	1	5P_0402_50V8C
C372	2	1	CLK 14M ICH
C373	2	1	4.7P_0402_50V8C
C374	2	1	CLK 14M KBC
C375	2	1	4.7P_0402_50V8C
C376	2	1	CLK PCI TCG
C378	2	1	4.7P_0402_50V8C
C379	2	1	CLK PCI SIO
C380	2	1	4.7P_0402_50V8C
			CLK_DEBUG_PORT
			5P_0402_50V8C



1111 Add CLR4, CLR5 for 667/800 FSB select
 SHORT CLR5, NO SHORT CLR4 -- FSB 800
 SHORT CLR4, NO SHORT CLR5 -- FSB 667



For ITP_EN, 0 = SRC8/SRC8#; 1 = ITP/ITP#
 For 27_SEL, 0 = Enable DOT96 & SRC1,
 1 = Enable SRC0 & 27MHZ
 For PCI2_TME, 0 = Overclocking of CPU and SRC Allowed
 1 = Overclocking of CPU and SRC NOT allowed



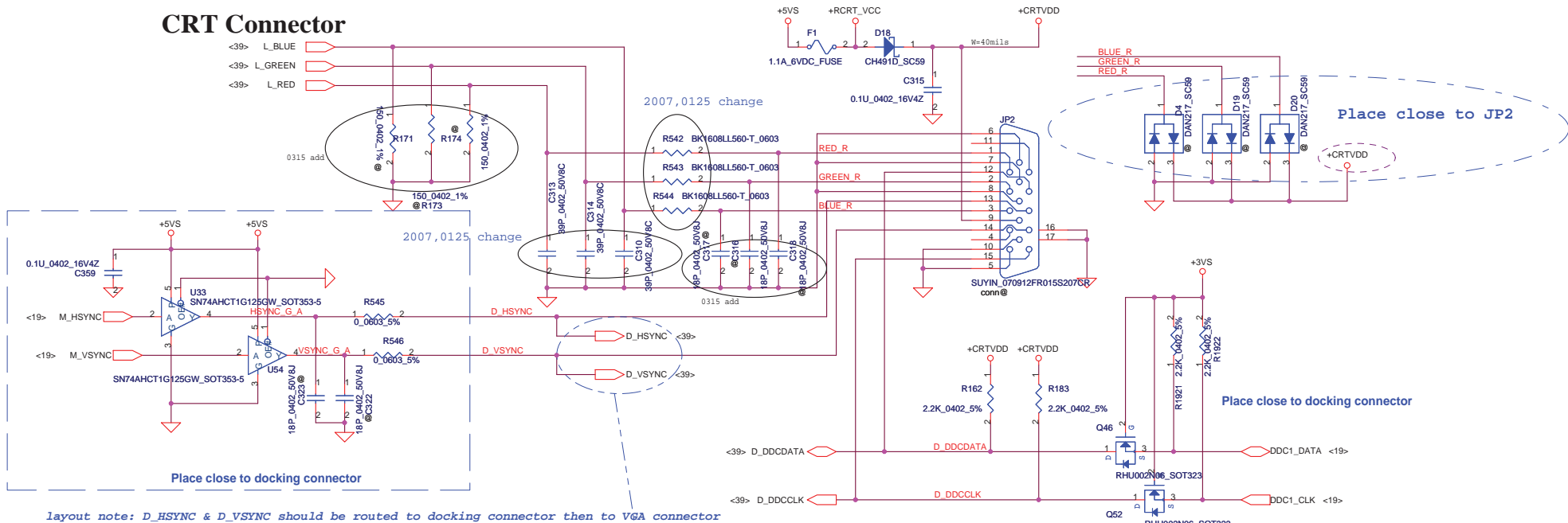
* Internal Pull-Up Resistor
 ** Internal Pull-Down Resistor

Security Classification	Compal Secret Data
Issued Date	2006/09/25
Deciphered Date	2006/09/25

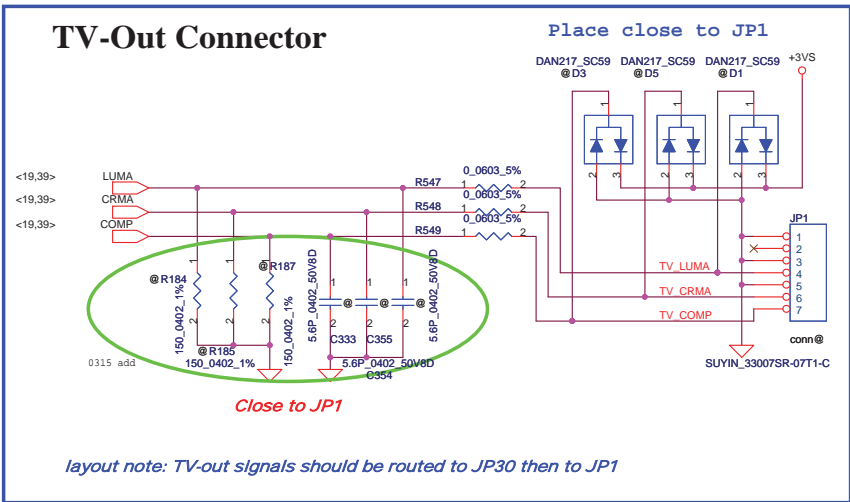
Compal Electronics, Inc.	
Title	Clock generator
Size	Document Number
	LA3262P_DIS_M64
Rev	1A

THIS SHEET OF ENGINEERING DRAWING IS THE PROPRIETARY PROPERTY OF COMPAL ELECTRONICS, INC. AND CONTAINS CONFIDENTIAL AND TRADE SECRET INFORMATION. THIS SHEET MAY NOT BE TRANSFERRED FROM THE CUSTODY OF THE COMPETENT DIVISION OF R&D DEPARTMENT. ANY EMPLOYEE'S AUTHORIZED BY COMPAL ELECTRONICS, INC. TO REPRODUCE THIS SHEET WITHOUT THE INFORMATION IT SO CONTAINS MAY BE A VIOLATION OF COMPANY POLICY AND SUBJECT TO LEGAL ACTION. WRITTEN CONSENT OF COMPAL ELECTRONICS, INC. IS REQUIRED FOR ANY REPRODUCTION OF THIS SHEET BY ANY THIRD PARTY.

CRT Connector

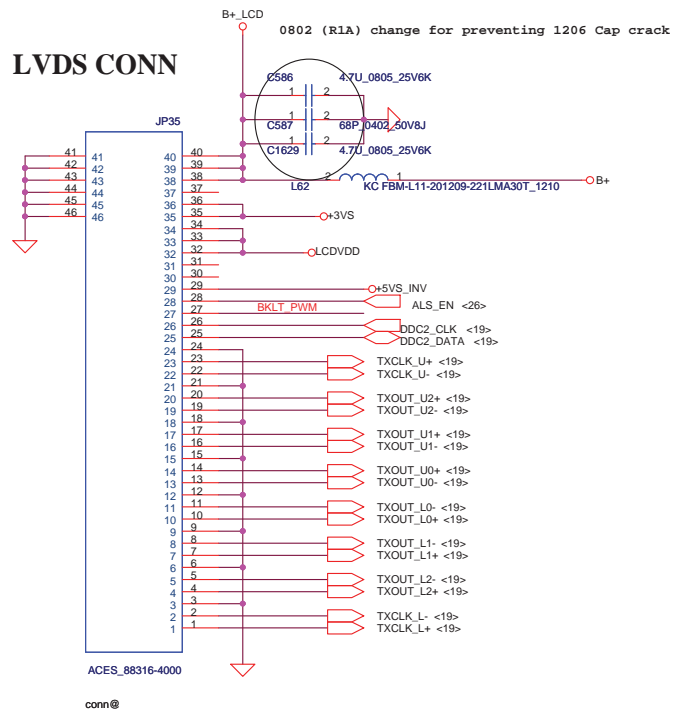


TV-Out Connector

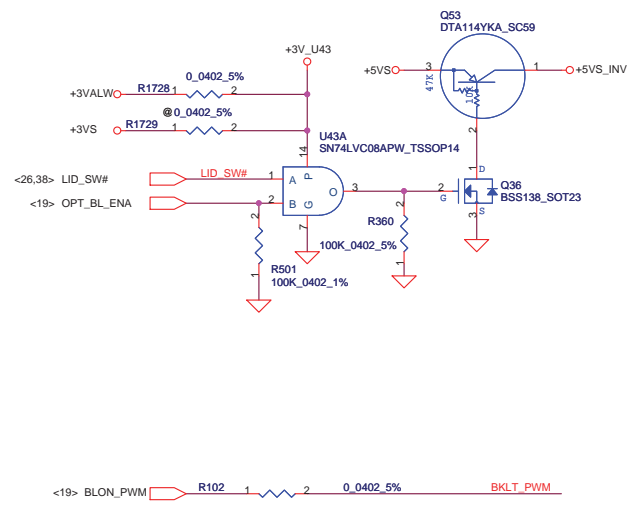
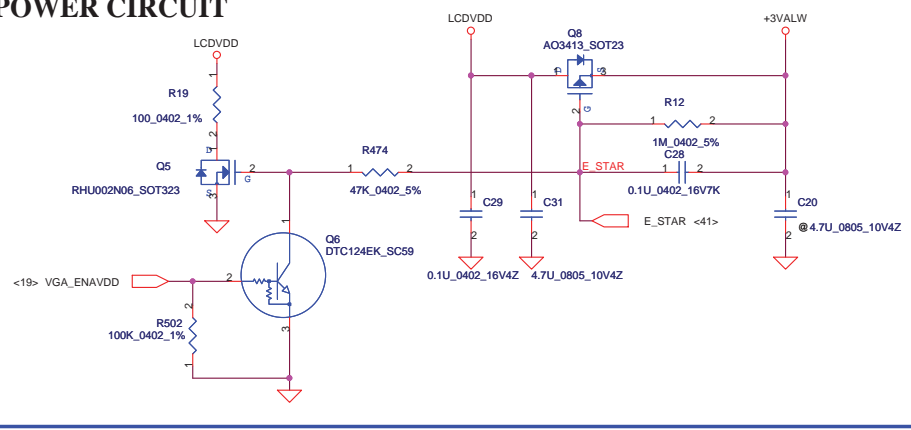


Security Classification	Compal Secret Data		Title	
Issued Date	2006/09/25	Deciphered Date	2006/09/25	Compal Electronics, Inc.
THIS SHEET OF ENGINEERING DRAWING IS THE PROPRIETARY PROPERTY OF COMPAL ELECTRONICS, INC. AND CONTAINS CONFIDENTIAL AND TRADE SECRET INFORMATION. THIS SHEET MAY NOT BE TRANSFERRED FROM THE CUSTODY OF THE COMPETENT DIVISION OF R&D DEPARTMENT ENGINEERING AUTHORIZED BY COMPAL ELECTRONICS, INC. WHETHER THIS SHEET OR THE INFORMATION IT CONTAINS MAY BE USED BY OR DISCLOSED TO ANY THIRD PARTY WITHOUT THE WRITTEN CONSENT OF COMPAL ELECTRONICS, INC.				CRT & TVout Connector Size Document Number LA3262P_DIS_M64 Date: Tuesday, August 21, 2007
http://laptop-motherboard-schematic.blogspot.com/				Rev 1A Sheet 16 of 57

LVDS CONN



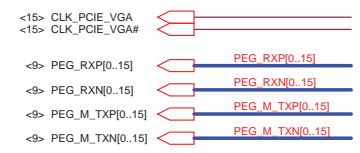
LCD POWER CIRCUIT



Support 3V inverter

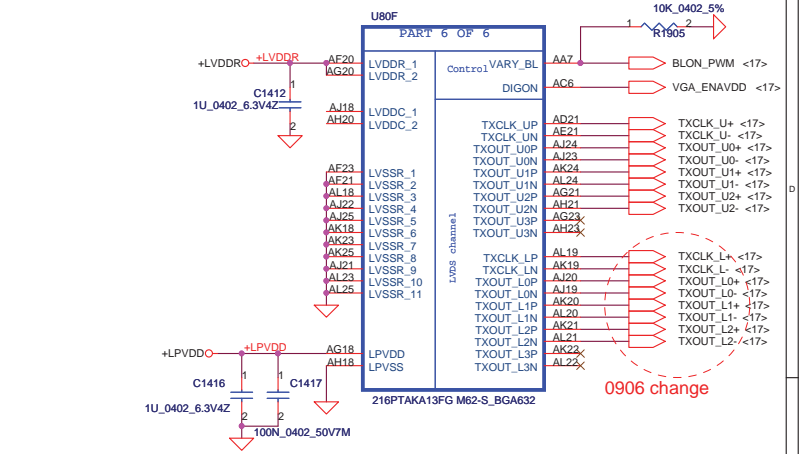
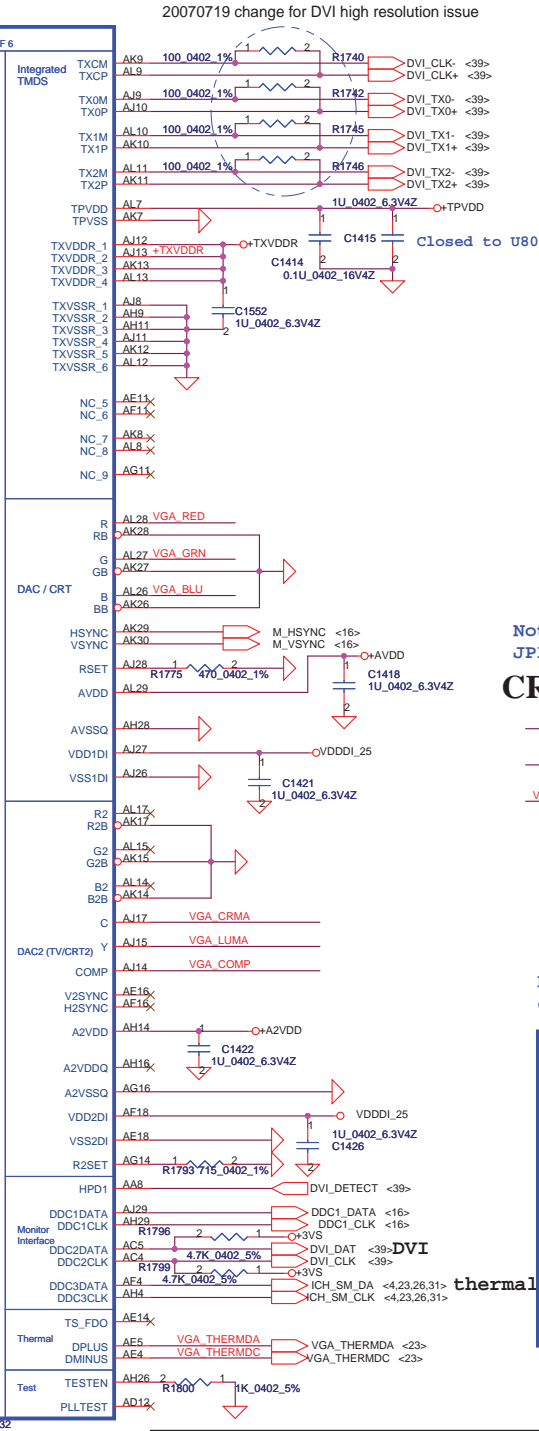
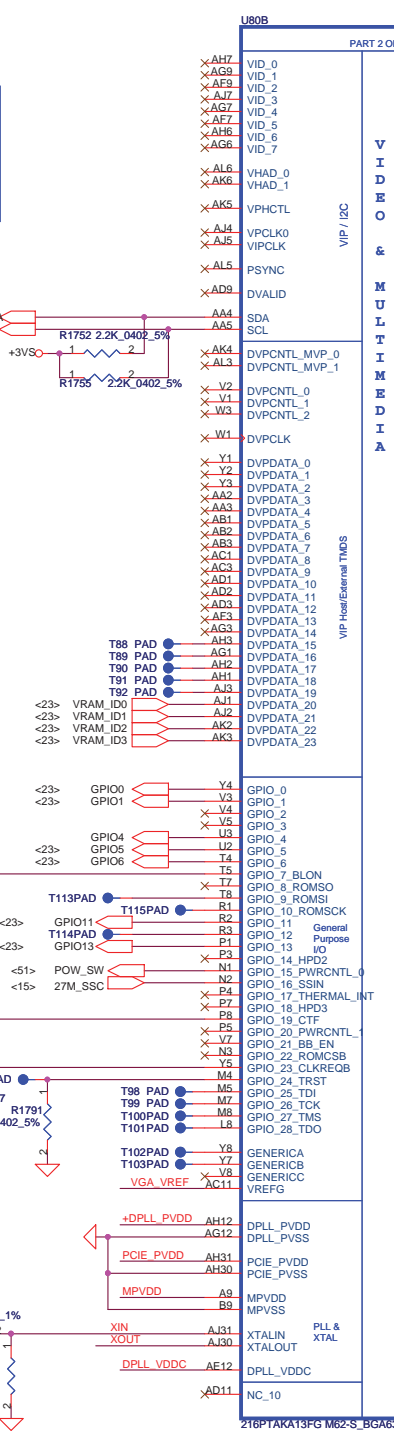
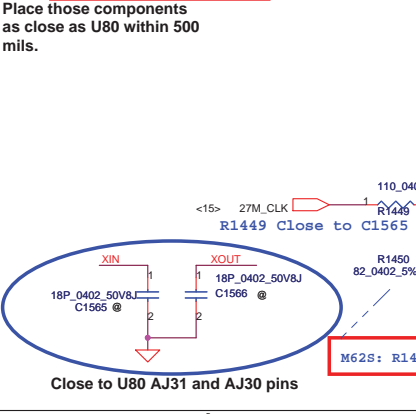
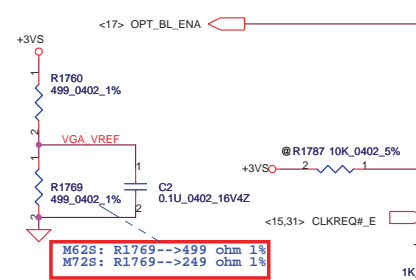
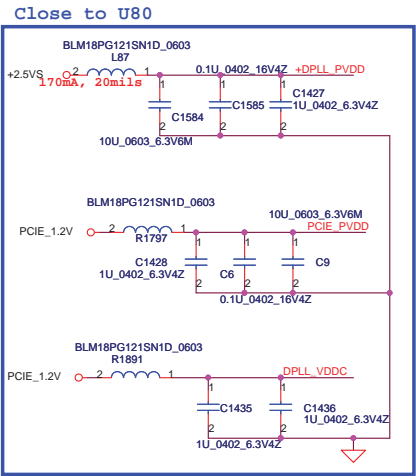
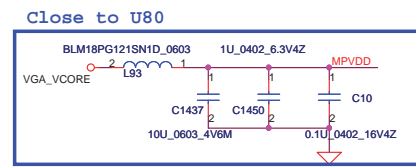
Security Classification		Compal Secret Data		Title	
Issued Date	2006/09/25	Deciphered Date	2006/09/25	LCD CONN.	
THIS SHEET OF ENGINEERING DRAWING IS THE PROPRIETARY PROPERTY OF COMPAL ELECTRONICS, INC. AND CONTAINS CONFIDENTIAL AND TRADE SECRET INFORMATION. THIS SHEET MAY NOT BE TRANSFERRED FROM THE CUSTODY OF THE COMPETENT DIVISION OF R&D DEPARTMENT. EMPLOYEES AUTHORIZED BY COMPAL ELECTRONICS, INC. IN WRITING THIS SHEET FOR THE INFORMATION IT CONTAINS MAY BE USED BY OR DISCLOSED TO ANY THIRD PARTY WITHOUT THE WRITTEN CONSENT OF COMPAL ELECTRONICS, INC.				Size	Document Number
				Rev	1A
				Date:	Tuesday, August 21, 2007
				Sheet	17 of 57

<http://laptop-motherboard-schematic.blogspot.com/>



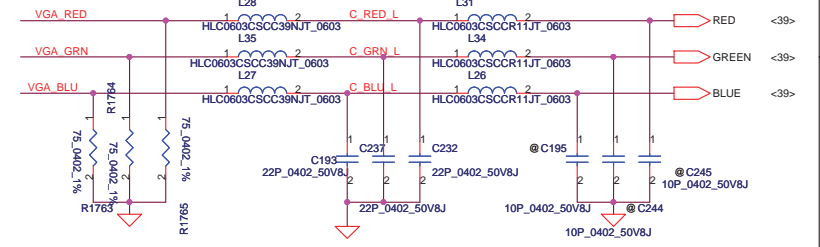
Security Classification		Compal Secret Data		Title	
Issued Date	2006/09/25	Deciphered Date	2006/09/25	M62-S PCIe interface	
THIS SHEET OF ENGINEERING DRAWING IS THE PROPRIETARY PROPERTY OF COMPAL ELECTRONICS, INC. AND CONTAINS CONFIDENTIAL AND TRADE SECRET INFORMATION. THIS SHEET MAY NOT BE TRANSFERRED FROM THE CUSTODY OF THE COMPETENT DIVISION OF R&D DEPARTMENT ENGINEER'S AUTHORIZED BY COMPAL ELECTRONICS, INC. NEITHER THIS SHEET NOR THE INFORMATION IT SO CONTAINS MAY BE USED IN ANY MANNER OR DISCLOSED TO ANY THIRD PARTY WITHOUT THE WRITTEN CONSENT OF COMPAL ELECTRONICS, INC.				Size	Document Number
				18	LA3262P_DIS_M64
				Date:	Tuesday, August 21, 2007
				Sheet	18 of 57
				Rev	1A

<http://laptop-motherboard-schematic.blogspot.com/>



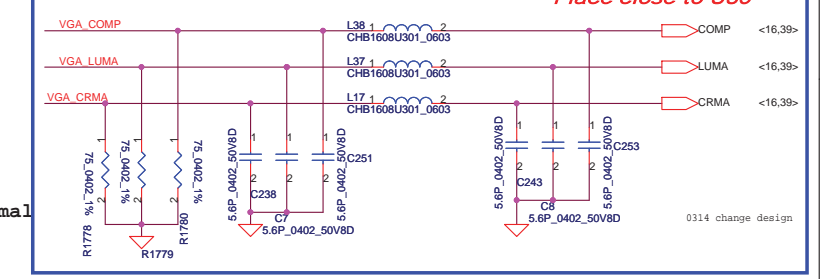
Note: CRT / TV-out should route to JP30 first then to the JP1 & JP2 on system side.

CRT Termination/EMI Filter *Place Closed to U80*



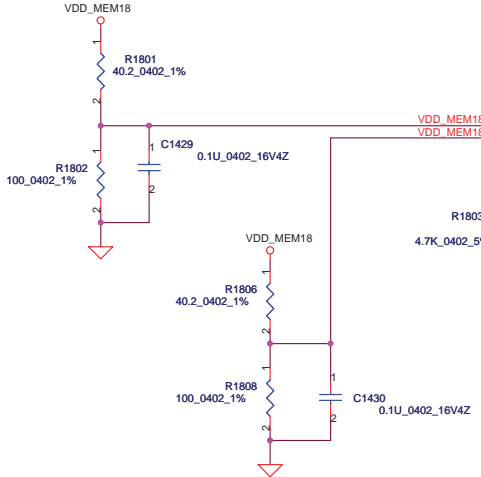
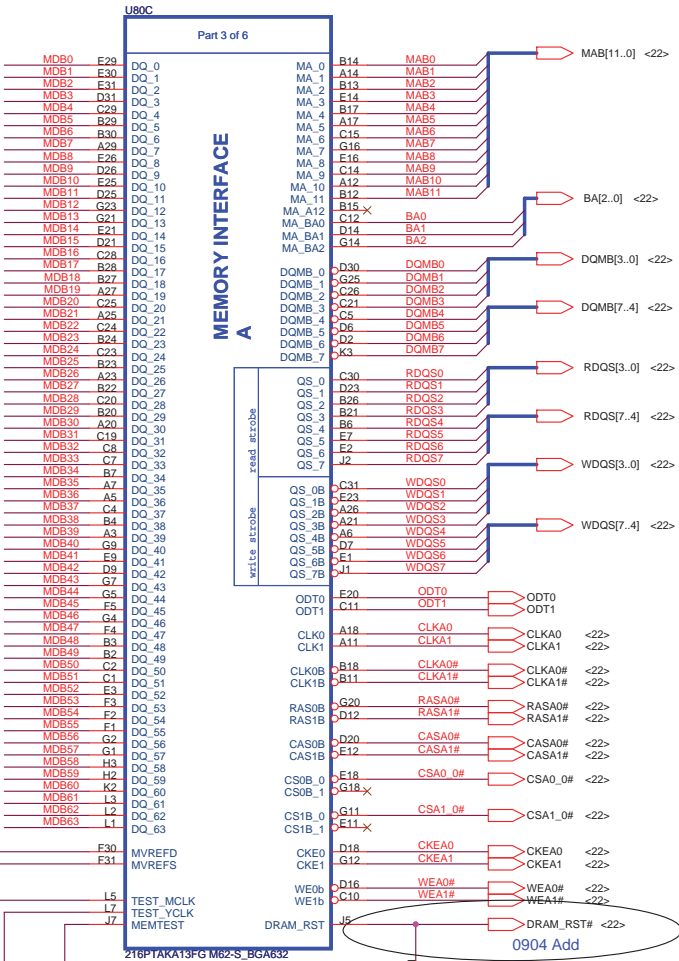
Note: TV-out should route to JP30 first then to the JP1 & JP2 on system side.

TV-Out Termination/EMI Filter *Place close to U80*



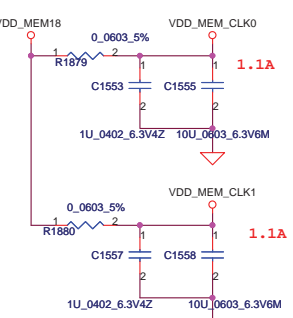
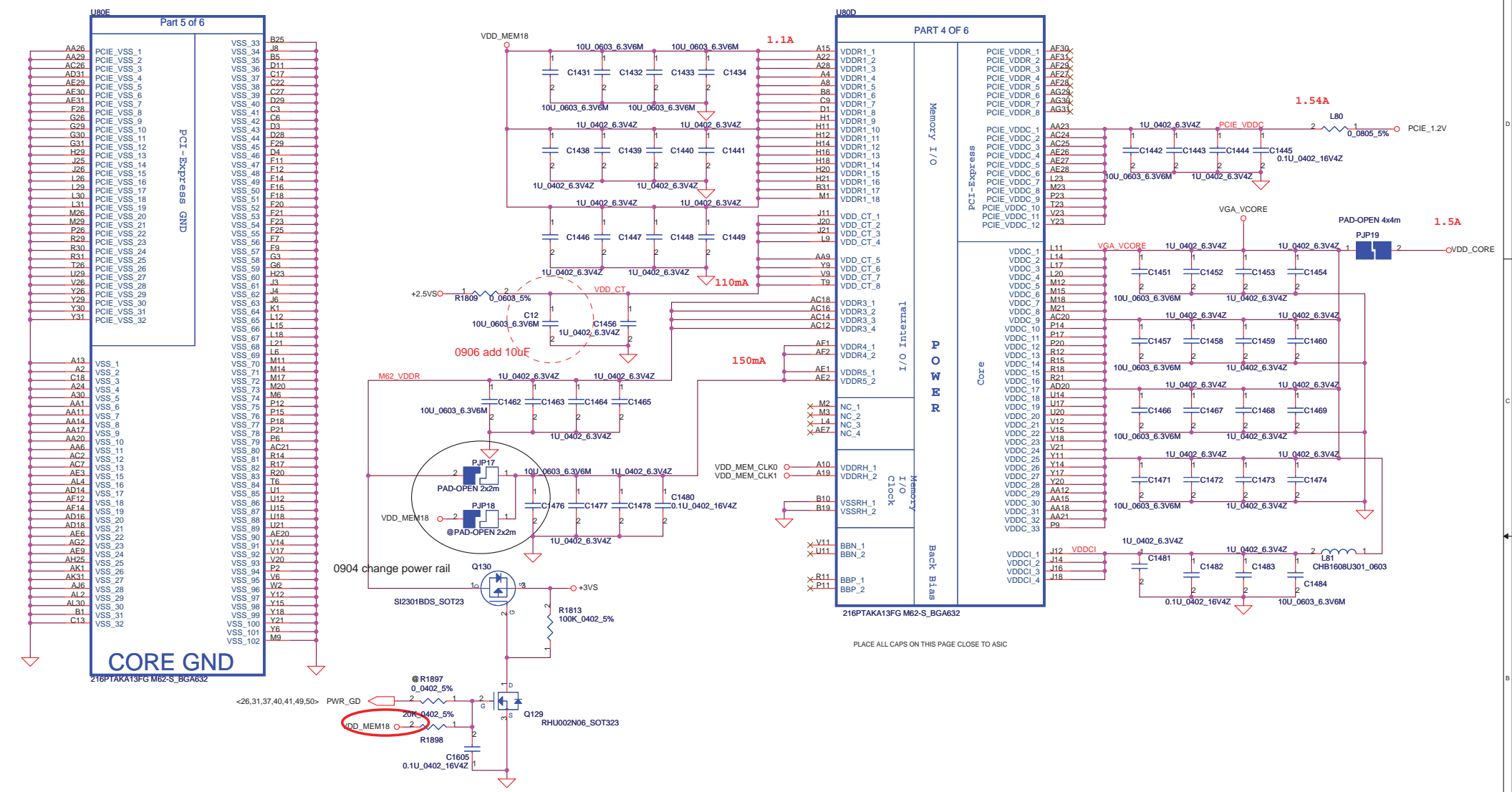
Security Classification		Compal Secret Data		Compal Electronics, Inc.	
Issued Date	2006/09/25	Deciphered Date	2006/09/25	Title	M62-S CRT/LVDS/TV-OUT
THIS SHEET OF ENGINEERING DRAWING IS THE PROPRIETARY PROPERTY OF COMPAL ELECTRONICS, INC. AND CONTAINS CONFIDENTIAL AND TRADE SECRET INFORMATION. THIS SHEET MAY NOT BE REPRODUCED OR TRANSMITTED IN ANY FORM OR BY ANY MEANS WITHOUT THE WRITTEN CONSENT OF COMPAL ELECTRONICS, INC.					
Size	Document Number	LA3262P_DIS_M64		Rev	1A
Date:	Tuesday, August 21, 2007	Sheet	19	of	57

<2> MDB[63..32] ← MDB[63..32]
 <2> MDB[31..0] ← MDB[31..0]



Security Classification				Compal Secret Data				Compal Electronics, Inc.			
Issued Date				2006/09/25		Deciphered Date		2006/09/25		Title	
										M62-S MEM	
THIS SHEET OF ENGINEERING DRAWING IS THE PROPRIETARY PROPERTY OF COMPAL ELECTRONICS, INC. AND CONTAINS CONFIDENTIAL AND TRADE SECRET INFORMATION. THIS SHEET MAY NOT BE TRANSFERRED FROM THE CUSTODY OF THE COMPETENT DIVISION OF R&D DEPARTMENT. EVERE'S AUTHORIZED BY COMPAL ELECTRONICS, INC. NEITHER THIS SHEET NOR THE INFORMATION IT CONTAINS MAY BE USED BY OR DISCLOSED TO ANY THIRD PARTY WITHOUT PRIOR WRITTEN CONSENT OF COMPAL ELECTRONICS, INC.				Size		Document Number		Rev		1A	
				LA3262P_DIS_M64						Date: Tuesday, August 21, 2007 Sheet 20 of 57	

<http://laptop-motherboard-schematic.blogspot.com/>

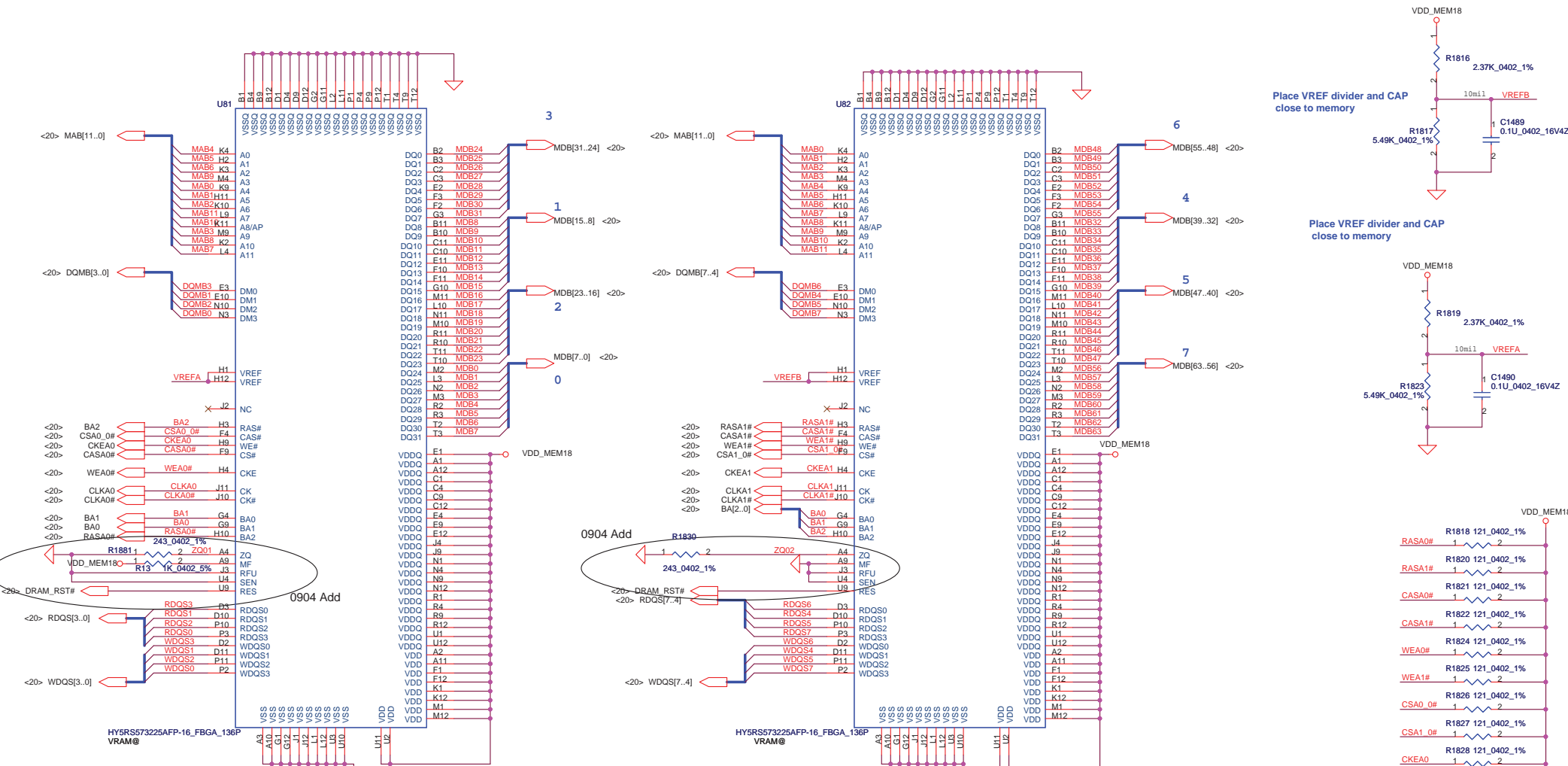


Security Classification	Compal Secret Data	
Issued Date	2006/09/25	Deciphered Date
		2006/09/25

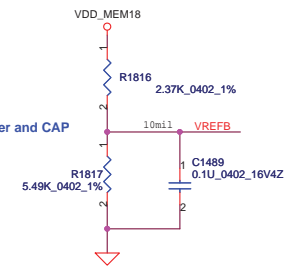
THIS SHEET OF ENGINEERING DRAWING IS THE PROPRIETARY PROPERTY OF COMPAL ELECTRONICS, INC. AND CONTAINS CONFIDENTIAL AND TRADE SECRET INFORMATION. THIS SHEET MAY NOT BE TRANSFERRED FROM THE CUSTODY OF THE COMPETENT DIVISION OF R&D DEPARTMENT EXCEPT AS AUTHORIZED BY COMPAL ELECTRONICS, INC. NEITHER THIS SHEET NOR THE INFORMATION CONTAINED THEREIN IS TO BE REPRODUCED OR DISCLOSED TO ANY THIRD PARTY WITHOUT PRIOR WRITTEN CONSENT OF COMPAL ELECTRONICS, INC.

Compal Electronics, Inc.		
Title M62-S POWER		
Size	Document Number LA3262P_DIS_M64	Rev 1A
Date	Tuesday, August 21, 2007	Sheet 21 of 57

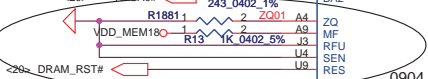
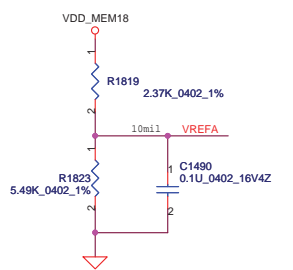
<http://laptop-motherboard-schematic.blogspot.com/>



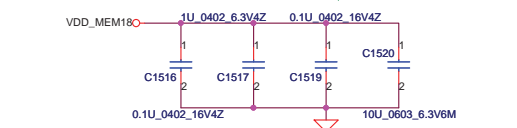
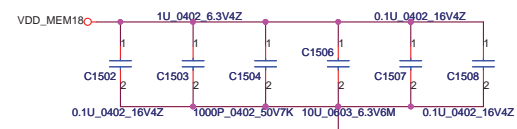
Place VREF divider and CAP close to memory



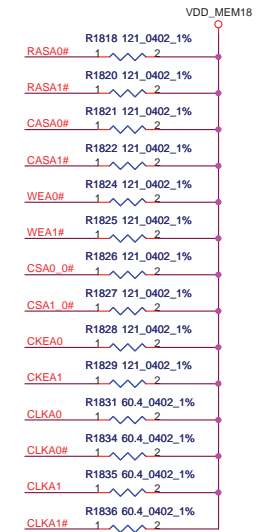
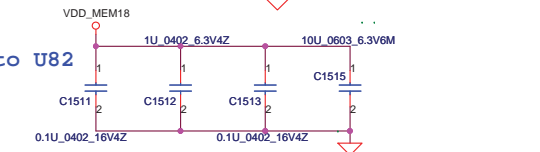
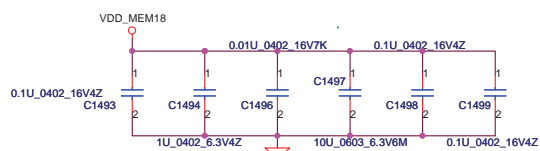
Place VREF divider and CAP close to memory



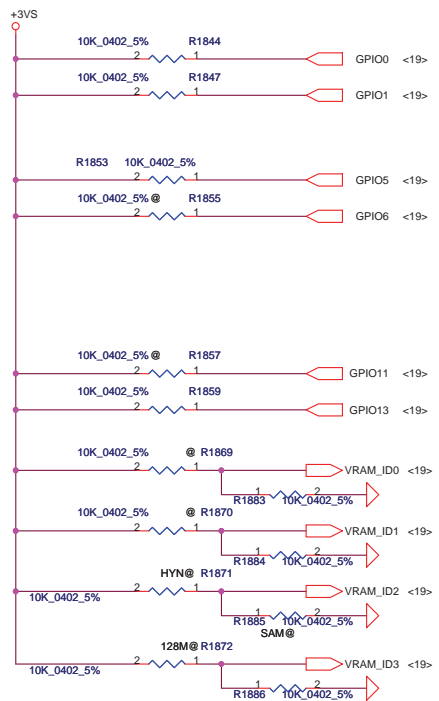
Place close to U81



Place close to U82

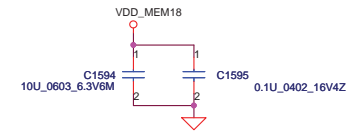


Security Classification		Compal Secret Data		Title	
Issued Date	2006/09/25	Deciphered Date	2006/09/25	Compal Electronics, Inc.	
				M62-S VRAM	
Size	Document Number			Rev	
	LA3262P_DIS_M64			1A	
Date:	Tuesday, August 21, 2007	Sheet	22	of	57

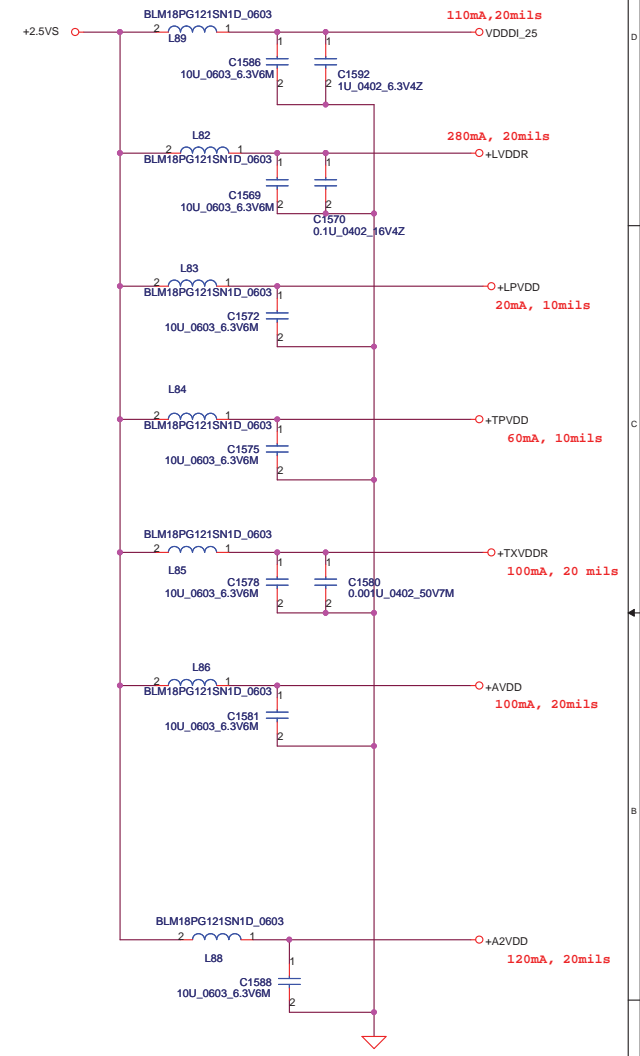


STRAPS	PIN	DESCRIPTION OF RECOMMENDED SETTING	RECOMMENDED
TX_PWRS_ENB	GPIO0	FULL SWING internal pull down	1
TX_DEEMPH_EN	GPIO1	Transmitter De-emphasis Enable internal pull down	1
DEBUG_ACCESS	GPIO4	Strap to set the debug muxes to bring out DEBUG signals even if registers are inaccessible internal pull down	0
PLL_IBIAS_RD	GPIO[6;5]	Bias Current for the PCIE PHY PLL	GPIO6-->0 GPIO5-->1
ROMIDCFG[3:0]	GPIO [9,13,12,11]	No ROM , with 128M frame buffer	0 0 0 x
		No ROM , with 64M frame buffer	0 1 0 x
VRAM_ID[0:3]	DVPDATA (20,21,22,23)	Samsung 8Mx32 1.8V	0 0 0 0
		Samsung 16Mx32 1.8V	0 0 0 1
		Hynix 8Mx32 1.8V	0 0 1 0
		Hynix 16Mx32 1.8V	0 0 1 1

Closed to U80

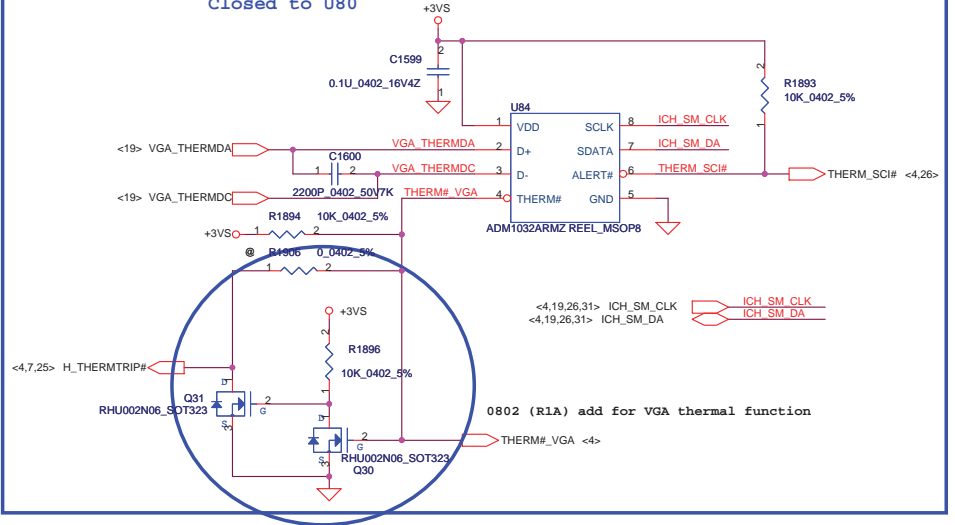


Closed to U80

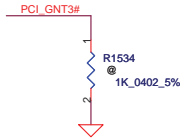
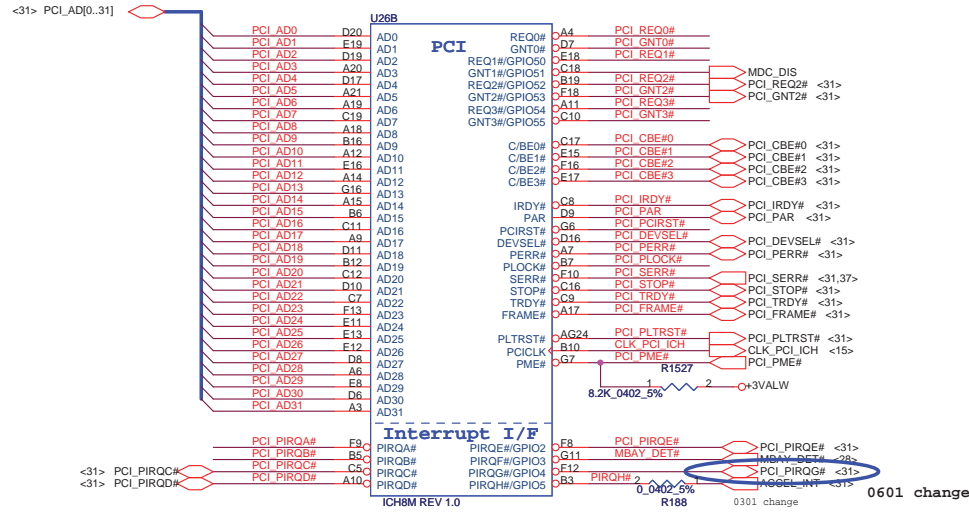
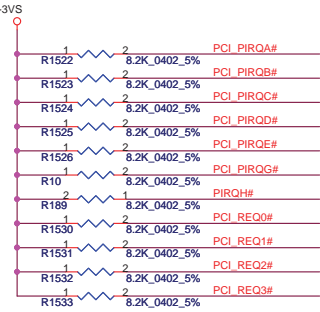
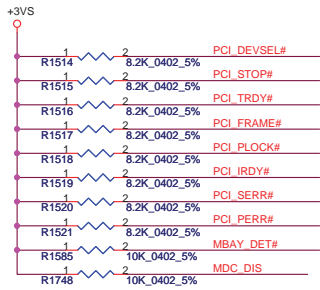


VGA Thermal Sensor ADM1032ARMZ

Closed to U80

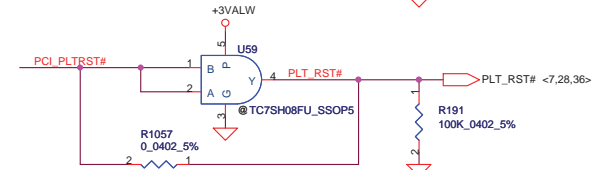
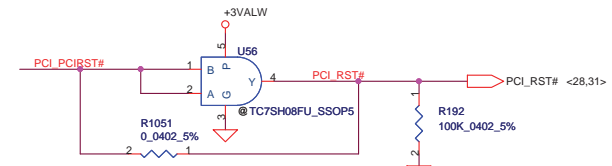
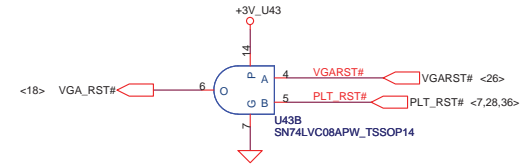
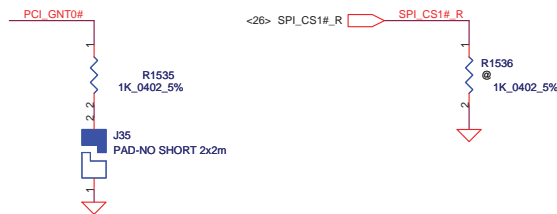
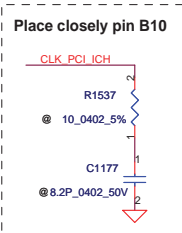


Security Classification		Compal Secret Data		Title	
Issued Date	2006/09/25	Deciphered Date	2006/09/25	M62-S Filters / Strap	
THIS SHEET OF ENGINEERING DRAWING IS THE PROPRIETARY PROPERTY OF COMPAL ELECTRONICS, INC. AND CONTAINS CONFIDENTIAL AND TRADE SECRET INFORMATION. THIS SHEET MAY NOT BE TRANSFERRED FROM THE CUSTODY OF THE COMPETENT DIVISION OF R&D DEPARTMENT EXCEPT AS AUTHORIZED BY COMPAL ELECTRONICS, INC. NEITHER THIS SHEET NOR THE INFORMATION CONTAINED THEREIN BE REPRODUCED OR DISCLOSED TO ANY THIRD PARTY WITHOUT THE PRIOR WRITTEN CONSENT OF COMPAL ELECTRONICS, INC.				Size	Document Number
				LA3262P_DIS_M64	Rev 1A
				Date:	Tuesday, August 21, 2007 Sheet 23 of 57

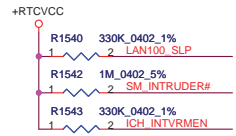


A16 swap override Strap	
PCI_GNT3#	Low= A16 swap override Enble High= Default*

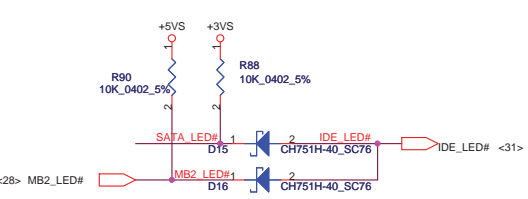
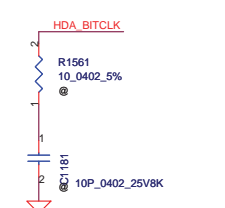
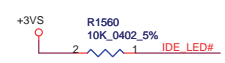
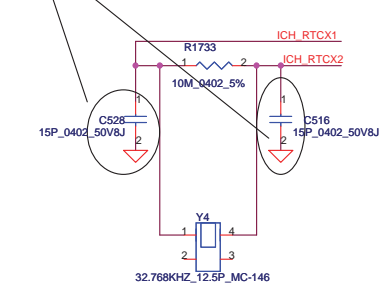
Boot BIOS Strap		
PCI_GNT0#	SPI_CS#1	Boot BIOS Location
0	1	SPI *
1	0	PCI
1	1	LPC



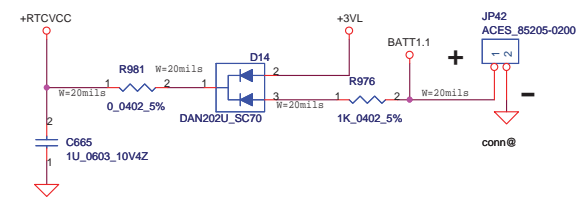
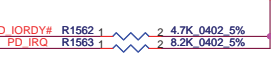
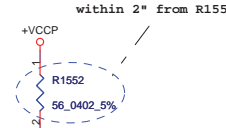
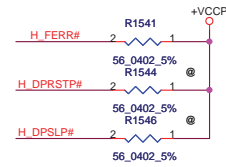
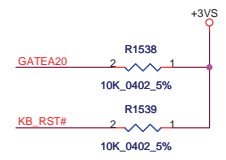
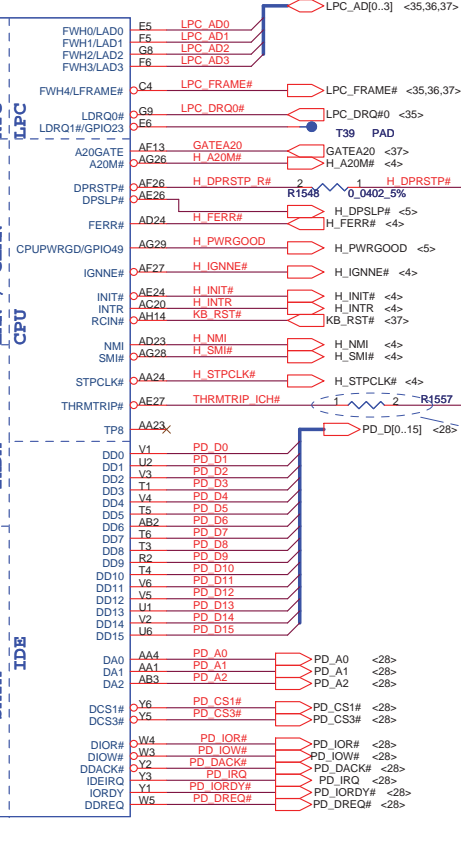
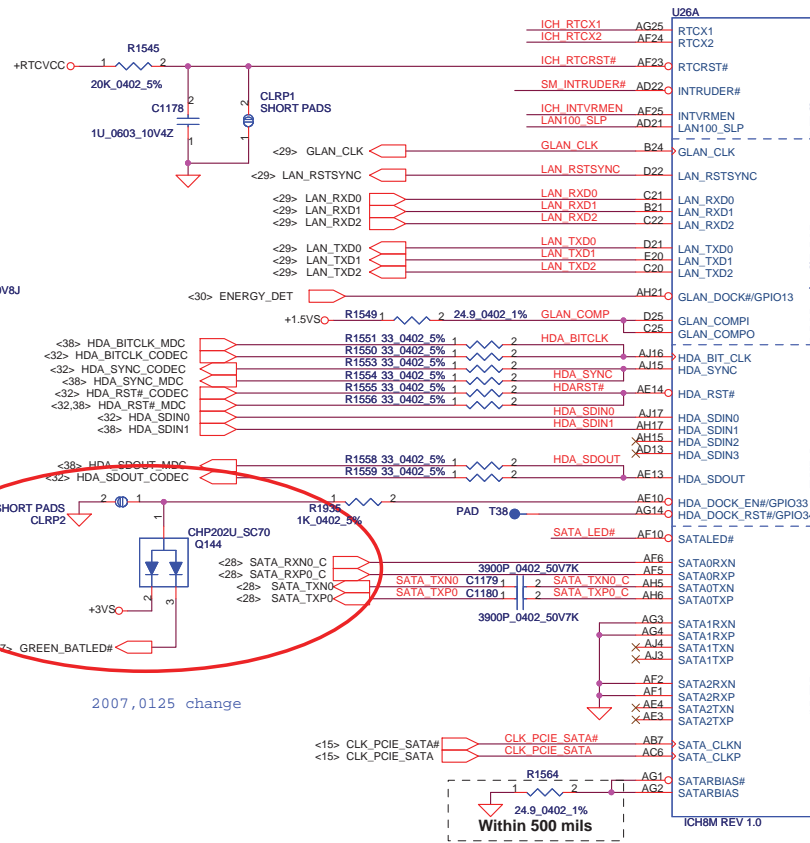
Security Classification	Compal Secret Data		Title	
Issued Date	2006/09/25	Deciphered Date	2006/09/25	2006/09/25
THIS SHEET OF ENGINEERING DRAWING IS THE PROPRIETARY PROPERTY OF COMPAL ELECTRONICS, INC. AND CONTAINS CONFIDENTIAL AND TRADE SECRET INFORMATION. THIS SHEET MAY NOT BE TRANSFERRED FROM THE CUSTODY OF THE COMPETENT DIVISION OF R&D DEPARTMENT ENGINEERING'S AUTHORIZED BY COMPAL ELECTRONICS, INC. NEITHER THIS SHEET NOR THE INFORMATION IT SO CONTAINS MAY BE USED BY OR DISCLOSED TO ANY THIRD PARTY WITHOUT THE WRITTEN CONSENT OF COMPAL ELECTRONICS, INC.				
Size	Document Number	Date		Rev
	LA3262P_DIS_M64	Tuesday, August 21, 2007		1A
Sheet 24 of 57				



11/20 For RTC Accuracy fail to change



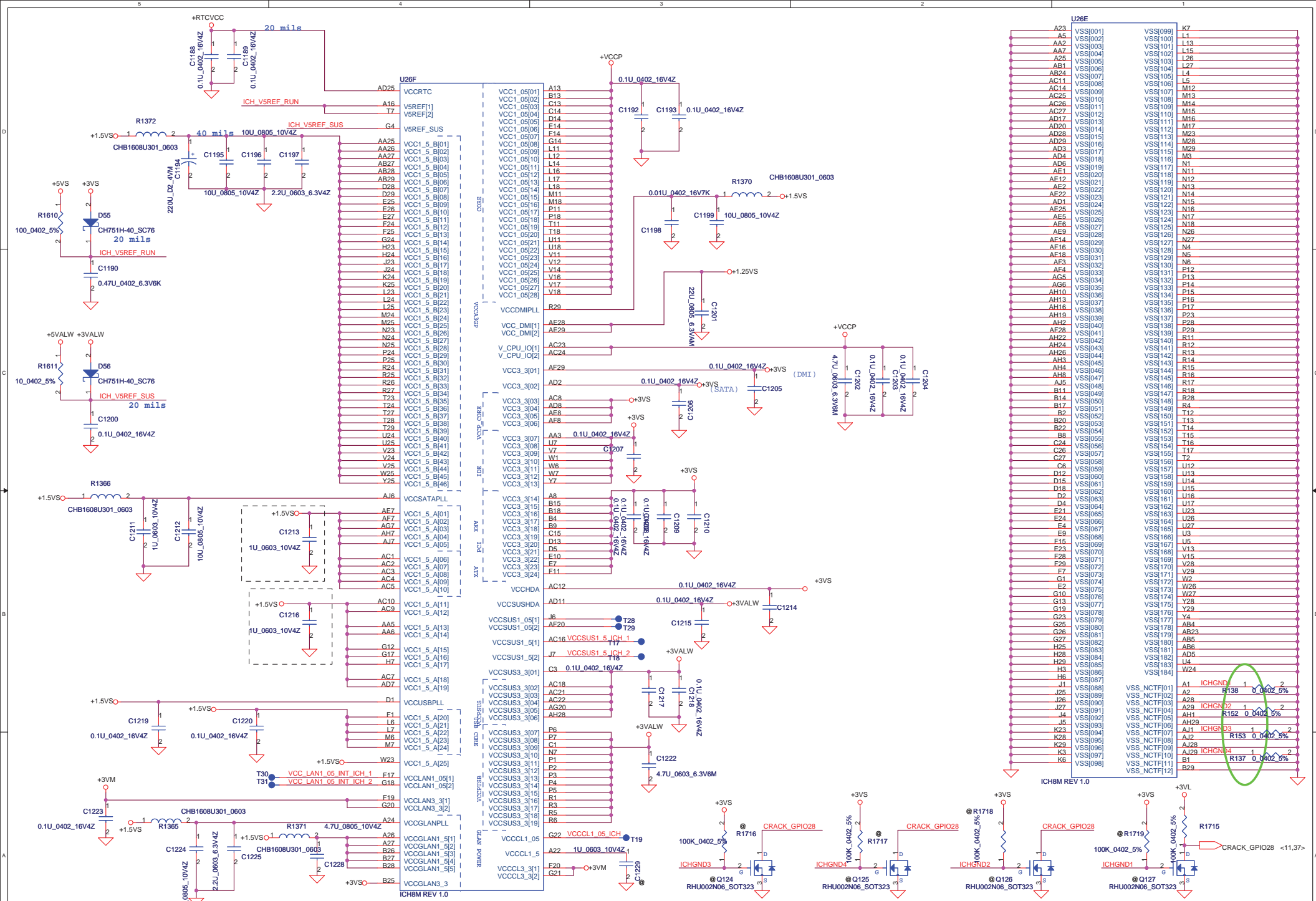
XOR CHAIN ENTRANCE STRAP:RSVD



Security Classification	Compal Secret Data	
Issued Date	2006/09/25	Deciphered Date
		2006/09/25
THIS SHEET OF ENGINEERING DRAWING IS THE PROPRIETARY PROPERTY OF COMPAL ELECTRONICS, INC. AND CONTAINS CONFIDENTIAL AND TRADE SECRET INFORMATION. THIS SHEET MAY NOT BE TRANSFERRED FROM THE CUSTODY OF THE COMPETENT DIVISION OF R&D DEPARTMENT ENGINEERING AND MANUFACTURING TO ANY THIRD PARTY WITHOUT THE WRITTEN CONSENT OF COMPAL ELECTRONICS, INC.		

Compal Electronics, Inc.		
Title		
ICHS(2/4) LAN,HD,IDE,LPC		
Size	Document Number	Rev
1A	LA3262P_DIS_M64	1A
Date:	Tuesday, August 21, 2007	Sheet 25 of 57

<http://laptop-motherboard-schematic.blogspot.com>



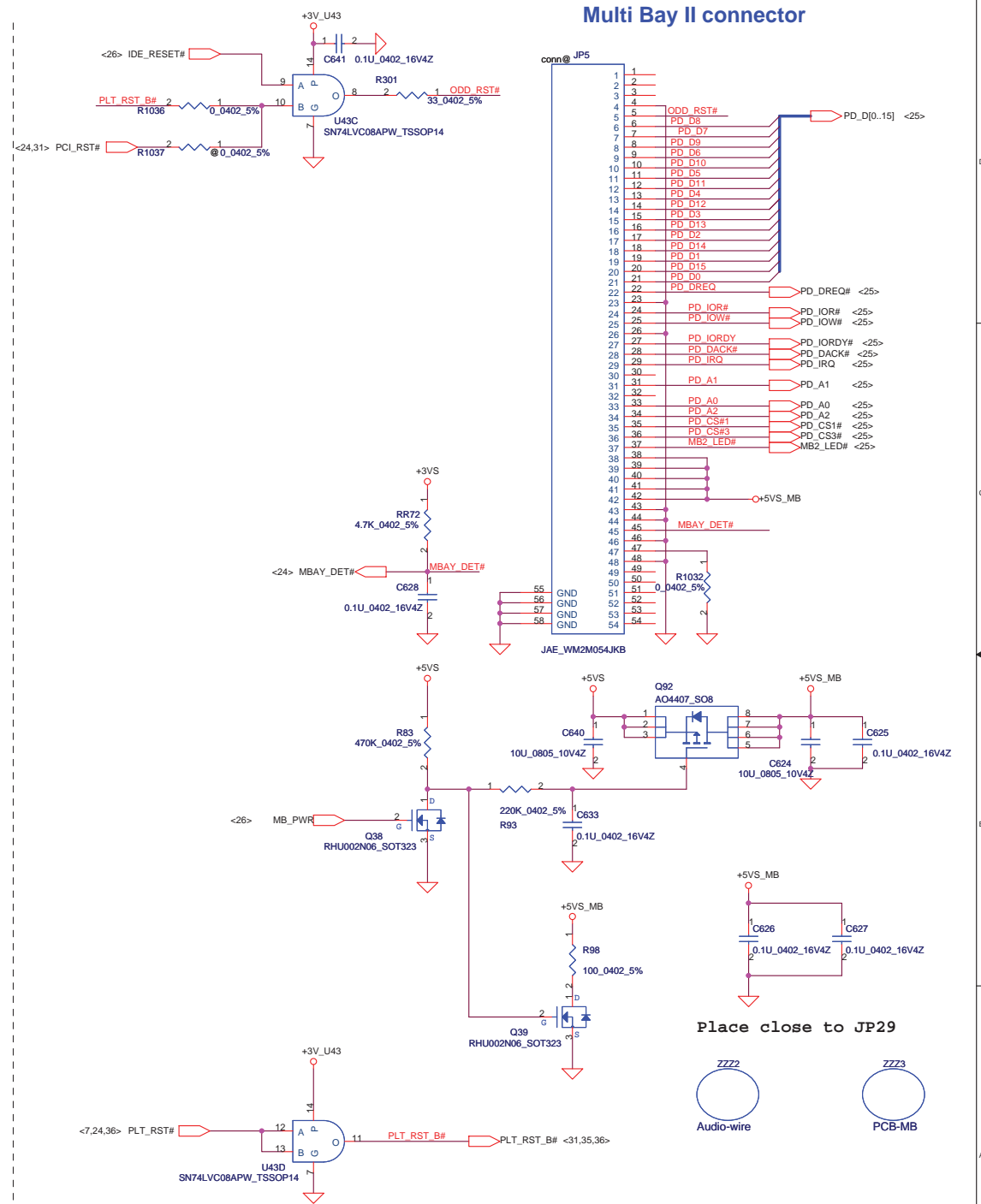
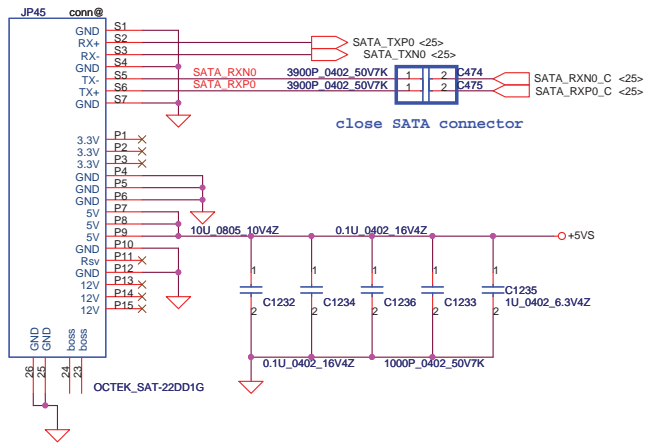
Pin	Signal	Value
A23	VSS1001	
A5	VSS1002	
AA2	VSS1003	
AA7	VSS1004	
A25	VSS1005	
AB1	VSS1006	
AB24	VSS1007	
AC11	VSS1008	
AC14	VSS1009	
AC25	VSS1010	
AC26	VSS1011	
AC27	VSS1012	
AD17	VSS1013	
AD20	VSS1014	
AD28	VSS1015	
AD29	VSS1016	
AD3	VSS1017	
AD4	VSS1018	
AD6	VSS1019	
AE1	VSS1020	
AE12	VSS1021	
AE2	VSS1022	
AE22	VSS1023	
AD1	VSS1024	
AE5	VSS1025	
AE6	VSS1026	
AE7	VSS1027	
AE9	VSS1028	
AF14	VSS1029	
AF16	VSS1030	
AF18	VSS1031	
AF3	VSS1032	
AF4	VSS1033	
AG5	VSS1034	
AG6	VSS1035	
AH10	VSS1036	
AH3	VSS1037	
AH16	VSS1038	
AH19	VSS1039	
AH2	VSS1040	
AF28	VSS1041	
AH22	VSS1042	
AH24	VSS1043	
AH26	VSS1044	
AH3	VSS1045	
AH4	VSS1046	
AH8	VSS1047	
AJ5	VSS1048	
B11	VSS1049	
B14	VSS1050	
B17	VSS1051	
B2	VSS1052	
B20	VSS1053	
B22	VSS1054	
C24	VSS1055	
C26	VSS1056	
C27	VSS1057	
D6	VSS1058	
D12	VSS1059	
D15	VSS1060	
D18	VSS1061	
D2	VSS1062	
D4	VSS1063	
E21	VSS1064	
E24	VSS1065	
E24	VSS1066	
E4	VSS1067	
E9	VSS1068	
F15	VSS1069	
E23	VSS1070	
F28	VSS1071	
F29	VSS1072	
F7	VSS1073	
G1	VSS1074	
E2	VSS1075	
G10	VSS1076	
G13	VSS1077	
G19	VSS1078	
G23	VSS1079	
G25	VSS1080	
G26	VSS1081	
G27	VSS1082	
H25	VSS1083	
H28	VSS1084	
H29	VSS1085	
H3	VSS1086	
H6	VSS1087	
J1	VSS1088	
J26	VSS1089	
J26	VSS1090	
J27	VSS1091	
J4	VSS1092	
AH29	VSS1093	
K23	VSS1094	
K28	VSS1095	
K29	VSS1096	
K3	VSS1097	
K6	VSS1098	
VSS1099		
VSS1100		
VSS1101		
VSS1102		
VSS1103		
VSS1104		
VSS1105		
VSS1106		
VSS1107		
VSS1108		
VSS1109		
VSS1110		
VSS1111		
VSS1112		
VSS1113		
VSS1114		
VSS1115		
VSS1116		
VSS1117		
VSS1118		
VSS1119		
VSS1120		
VSS1121		
VSS1122		
VSS1123		
VSS1124		
VSS1125		
VSS1126		
VSS1127		
VSS1128		
VSS1129		
VSS1130		
VSS1131		
VSS1132		
VSS1133		
VSS1134		
VSS1135		
VSS1136		
VSS1137		
VSS1138		
VSS1139		
VSS1140		
VSS1141		
VSS1142		
VSS1143		
VSS1144		
VSS1145		
VSS1146		
VSS1147		
VSS1148		
VSS1149		
VSS1150		
VSS1151		
VSS1152		
VSS1153		
VSS1154		
VSS1155		
VSS1156		
VSS1157		
VSS1158		
VSS1159		
VSS1160		
VSS1161		
VSS1162		
VSS1163		
VSS1164		
VSS1165		
VSS1166		
VSS1167		
VSS1168		
VSS1169		
VSS1170		
VSS1171		
VSS1172		
VSS1173		
VSS1174		
VSS1175		
VSS1176		
VSS1177		
VSS1178		
VSS1179		
VSS1180		
VSS1181		
VSS1182		
VSS1183		
VSS1184		
VSS1185		
VSS1186		
VSS1187		
VSS1188		
VSS1189		
VSS1190		
VSS1191		
VSS1192		
VSS1193		
VSS1194		
VSS1195		
VSS1196		
VSS1197		
VSS1198		
VSS1199		
VSS1200		

Security Classification	Compal Secret Data	
Issued Date	2006/09/25	Deciphered Date
		2006/09/25

THIS SHEET OF ENGINEERING DRAWING IS THE PROPRIETARY PROPERTY OF COMPAL ELECTRONICS, INC. AND CONTAINS CONFIDENTIAL AND TRADE SECRET INFORMATION. THIS SHEET MAY NOT BE TRANSFERRED FROM THE CUSTODY OF THE COMPETENT DIVISION OF R&D DEPARTMENT ENGINEER'S AUTHORIZED BY COMPAL ELECTRONICS, INC. NEITHER THIS SHEET NOR THE INFORMATION IT SO CONTAINS MAY BE REPRODUCED OR DISCLOSED TO ANY THIRD PARTY WITHOUT PRIOR WRITTEN PERMISSION OF COMPAL ELECTRONICS, INC.

Compal Electronics, Inc.		
Title		
ICH8(4/4) POWER&GND		
Size	Document Number	Rev
C1001	LA3262P_DIS_M64	1A
Date:	Tuesday, August 21, 2007	Sheet 27 of 57

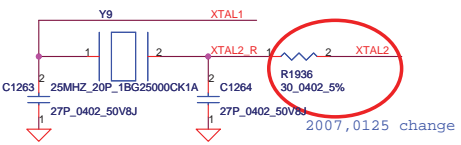
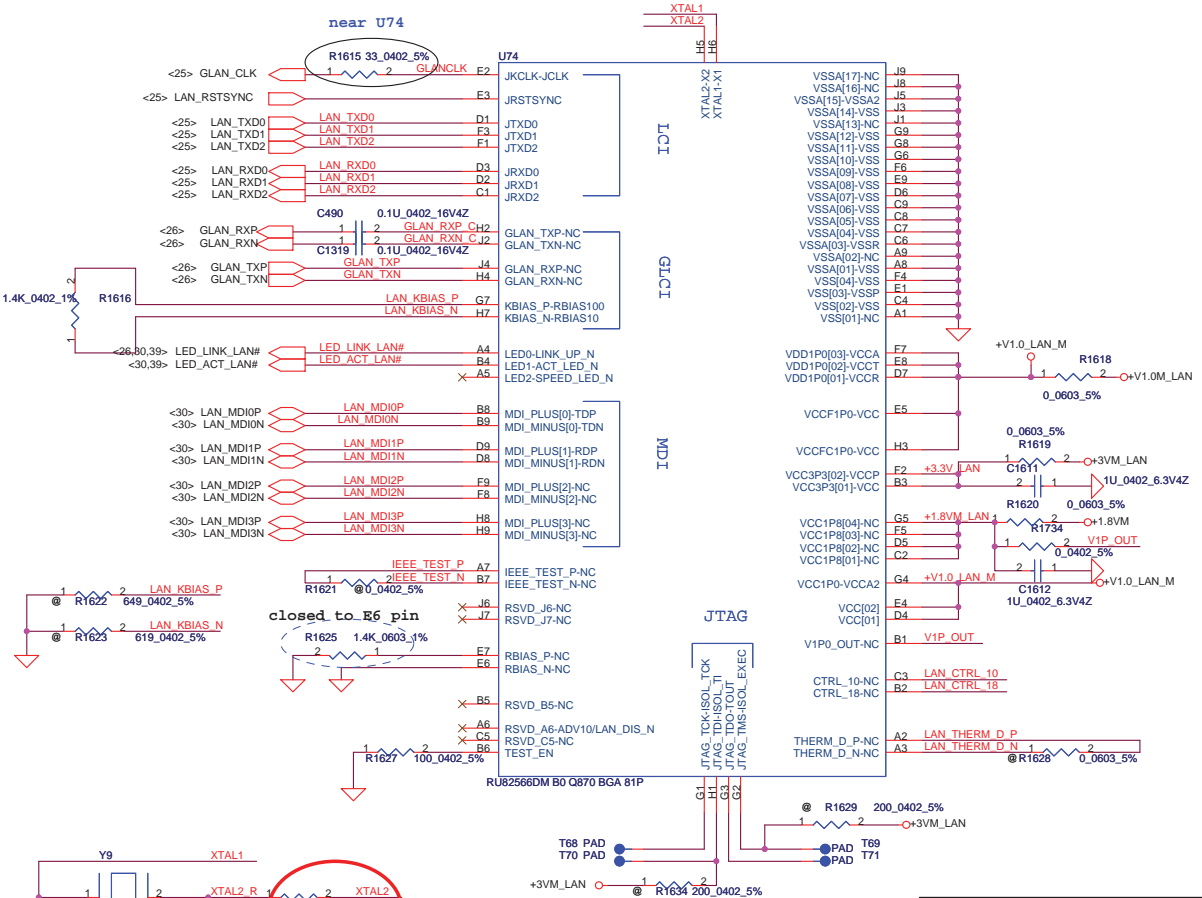
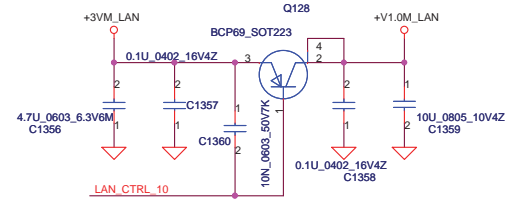
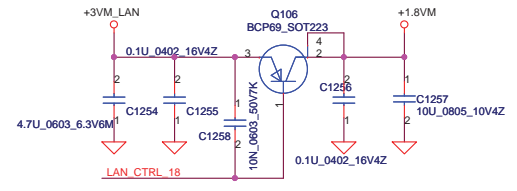
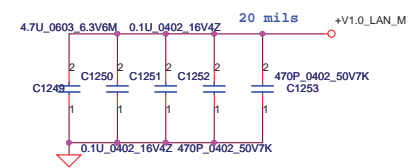
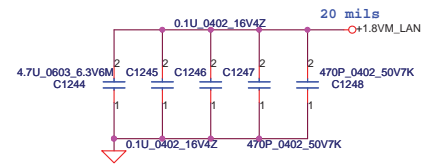
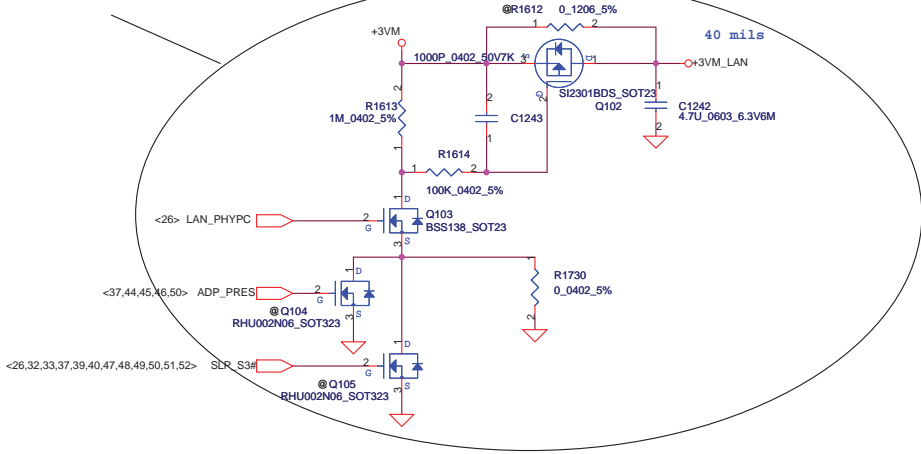
<http://laptop-motherboard-schematic.blogspot.com>



Security Classification		Compal Secret Data		Title	
Issued Date	2006/09/25	Deciphered Date	2006/09/25	HDD & CDROM	
THIS SHEET OF ENGINEERING DRAWING IS THE PROPRIETARY PROPERTY OF COMPAL ELECTRONICS, INC. AND CONTAINS CONFIDENTIAL AND TRADE SECRET INFORMATION. THIS SHEET MAY NOT BE TRANSFERRED FROM THE CUSTODY OF THE COMPETENT DIVISION OF R&D DEPARTMENT ENGINEERS AUTHORIZED BY COMPAL ELECTRONICS, INC. NEITHER THIS SHEET NOR THE INFORMATION IT CONTAINS MAY BE USED BY OR DISCLOSED TO ANY THIRD PARTY WITHOUT PRIOR WRITTEN CONSENT OF COMPAL ELECTRONICS, INC.				Size	Document Number
				Custom	LA3262P_DIS_M64
				Date:	Tuesday, August 21, 2007
				Sheet	28 of 57

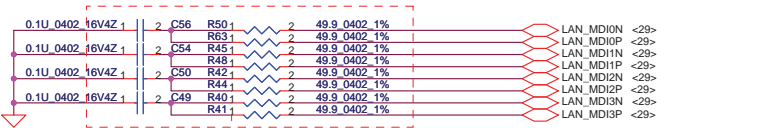
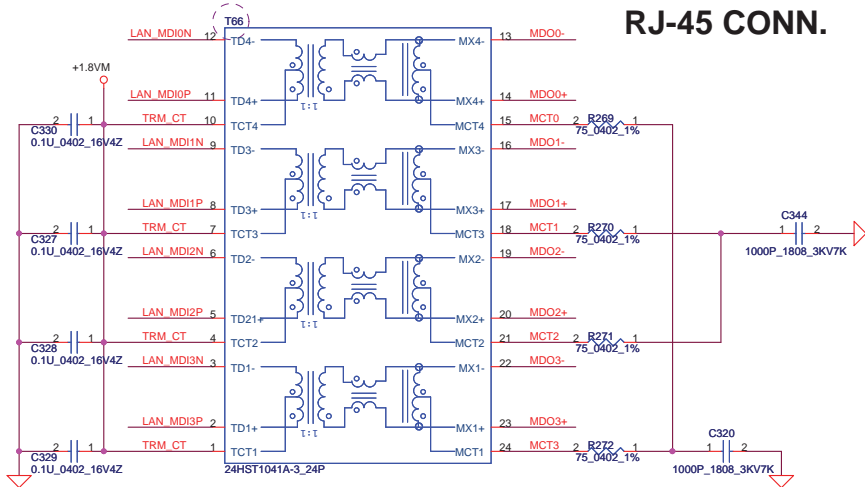
<http://laptop-motherboard-schematic.blogspot.com>

11/20 Enable ACBS (power management for NIC)



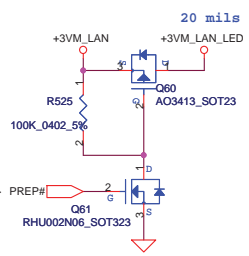
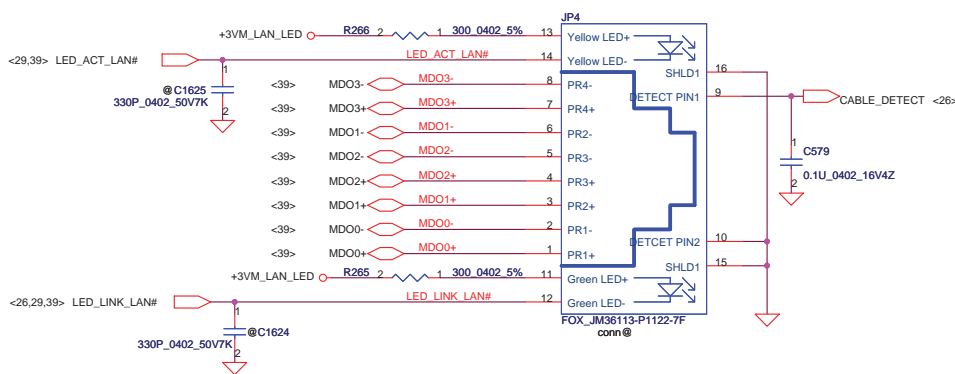
Security Classification	Compal Secret Data		Title	
Issued Date	2006/09/25	Deciphered Date	2006/09/25	
<p>THIS SHEET OF ENGINEERING DRAWING IS THE PROPRIETARY PROPERTY OF COMPAL ELECTRONICS, INC. AND CONTAINS CONFIDENTIAL AND TRADE SECRET INFORMATION. THIS SHEET MAY NOT BE TRANSFERRED FROM THE CUSTODY OF THE COMPETENT DIVISION OF R&D DEPARTMENT. ANY EMPLOYEE'S AUTHORIZED BY COMPAL ELECTRONICS, INC. IN EITHER THIS SHEET OR THE INFORMATION IT SO CONTAINS MAY BE USED BY OR DISCLOSED TO ANY THIRD PARTY WITHOUT THE WRITTEN CONSENT OF COMPAL ELECTRONICS, INC.</p>				
Size	Document Number	Date		Rev
	LA3262P_DIS_M64	Tuesday, August 21, 2007		1A
				Sheet 29 of 57

RJ-45 CONN.



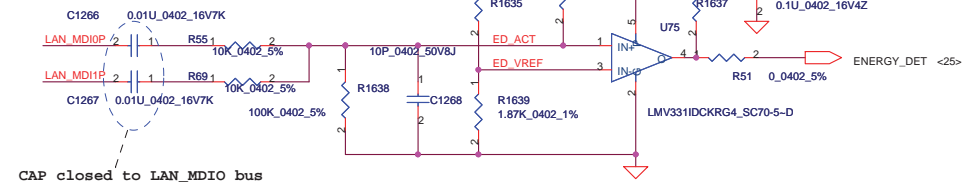
Layout Notice : Place termination as close as Intel 82566 as possible

Note: MDO[3..0]+/- signals should route to JP4 first then to JP30.

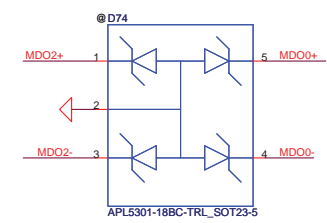
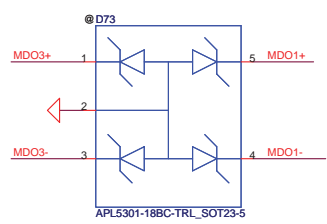


LAN ENERGY DET

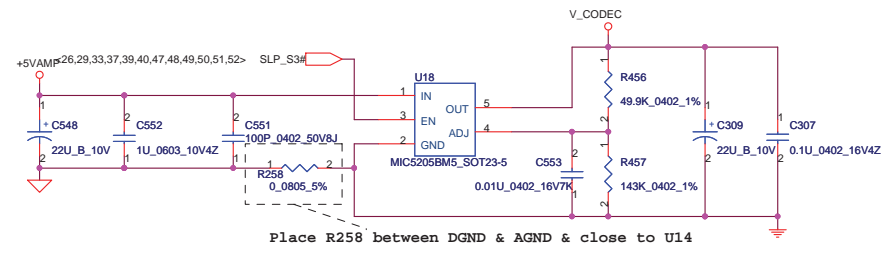
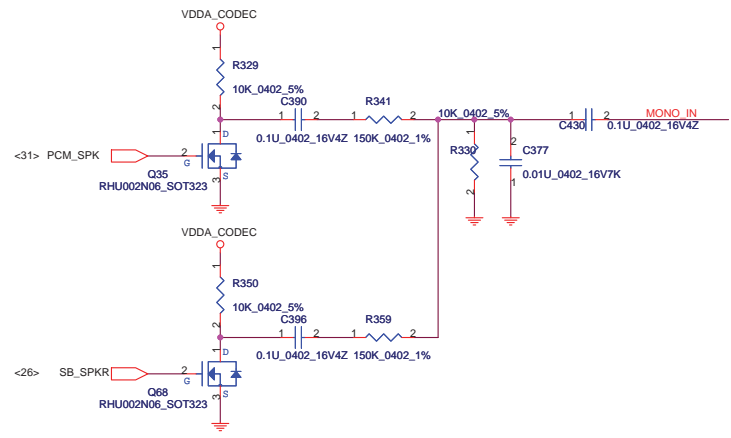
02/27 change



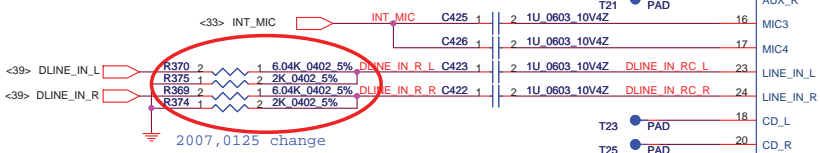
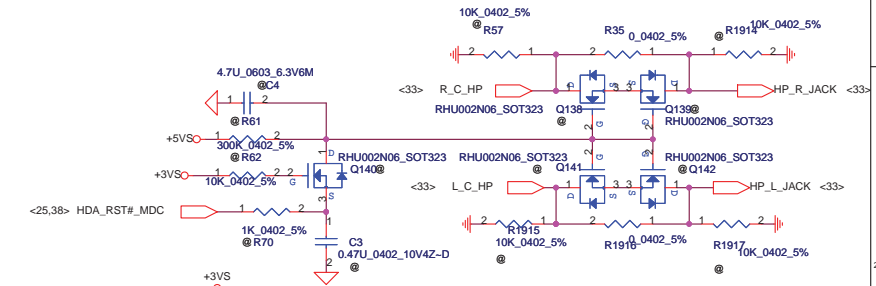
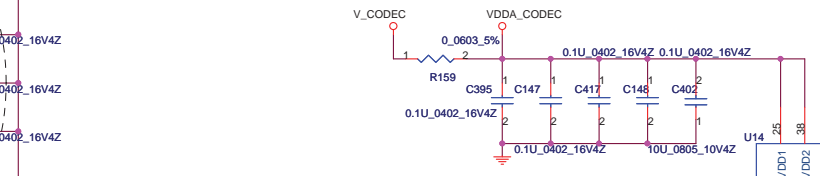
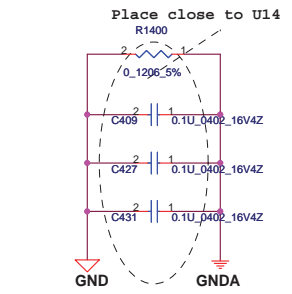
CAP closed to LAN_MDIO bus



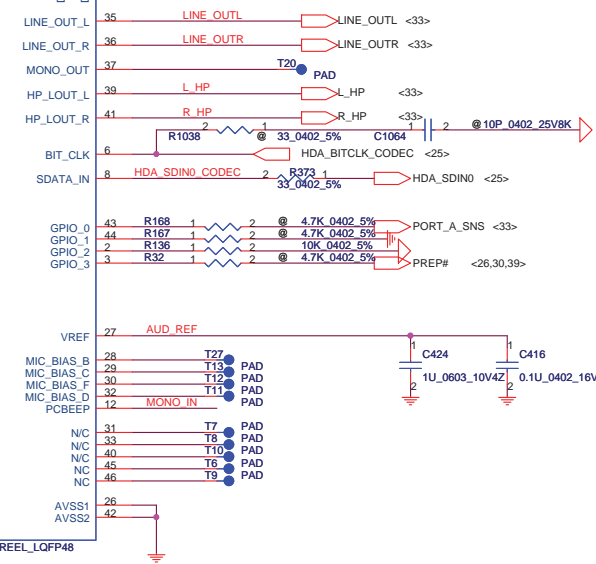
Security Classification	Compal Secret Data		Compal Electronics, Inc.	
Issued Date	2006/09/25	Deciphered Date	2006/09/25	Title
THIS SHEET OF ENGINEERING DRAWING IS THE PROPRIETARY PROPERTY OF COMPAL ELECTRONICS, INC. AND CONTAINS CONFIDENTIAL AND TRADE SECRET INFORMATION. THIS SHEET MAY NOT BE TRANSFERRED FROM THE CUSTODY OF THE COMPETENT DIVISION OF R&D DEPARTMENT TO ANY OTHER DEPARTMENT OR TO ANY OTHER PERSON WITHOUT PRIOR WRITTEN CONSENT OF COMPAL ELECTRONICS, INC.				Magnetic & RJ45/RJ11 LA3262P_DIS_M64 Rev 1A
Date:	Tuesday, August 21, 2007	Sheet	30	of 57



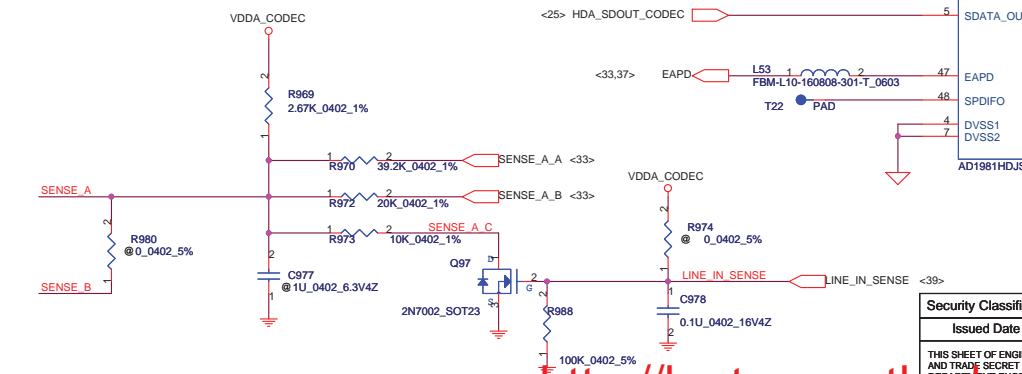
Place R258 between DGND & AGND & close to U14



2007,0125 change



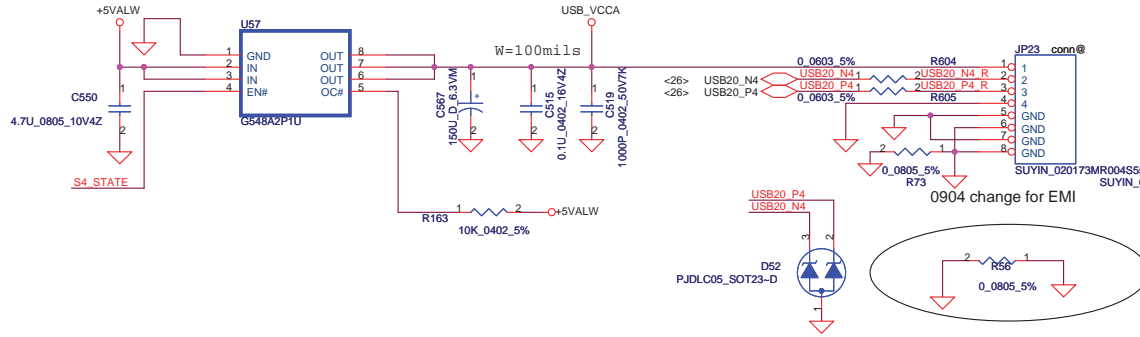
PORT	PLACE TO
MONO_OUT	X
PORT A	HP OUT, DOCK HP LO
PORT B	M/B MIC
PORT C	DOCK LI
PORT D	M/B SPK
PORT E	X
PORT F	Internal MIC



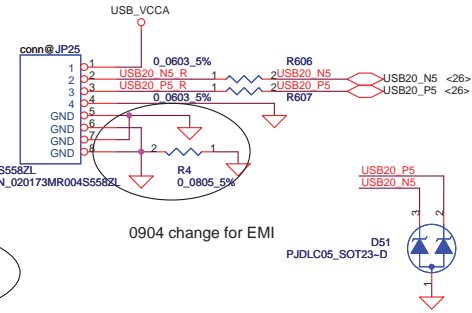
Security Classification	Compal Secret Data		Title	
Issued Date	2006/09/25	Deciphered Date	2006/09/25	Compal Electronics, Inc.
				AC97 CODEC AD1981B
THIS SHEET OF ENGINEERING DRAWING IS THE PROPRIETARY PROPERTY OF COMPAL ELECTRONICS, INC. AND CONTAINS CONFIDENTIAL AND TRADE SECRET INFORMATION. THIS SHEET MAY NOT BE TRANSFERRED FROM THE CUSTODY OF THE COMPETENT DIVISION OF R&D DEPARTMENT. ANY REPRODUCTION OR DISSEMINATION OF THIS SHEET WITHOUT THE WRITTEN CONSENT OF COMPAL ELECTRONICS, INC. MAY BE PENALIZED BY LAW.				Size
				Document Number
				LA3262P_DIS_M64
				Rev 1A
Date: Tuesday, August 21, 2007		Sheet 32		of 57

<http://laptop-motherboard-schematic.blogspot.com/>

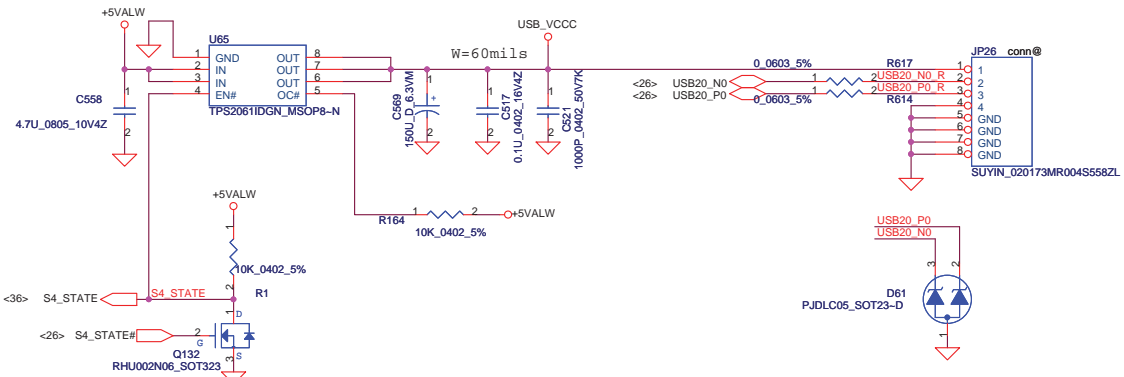
Left side USB CONNECTOR 0



Left side USB CONNECTOR 1

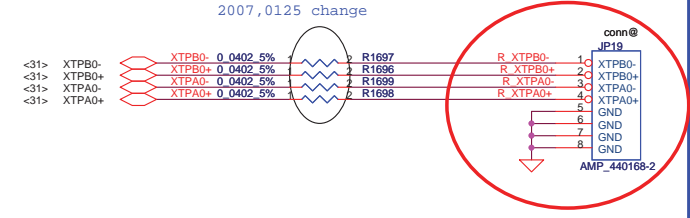


Right side USB CONNECTOR 0

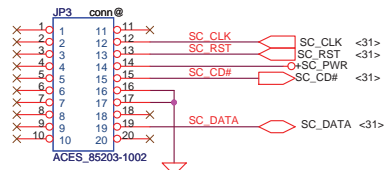


1394 connector

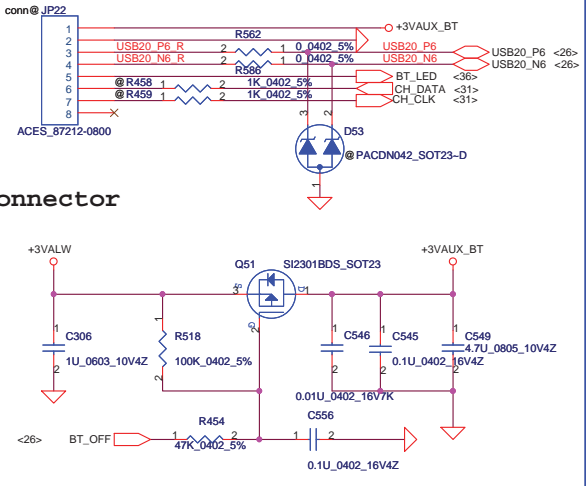
11/06 fix DB2 1394 can not detect issue



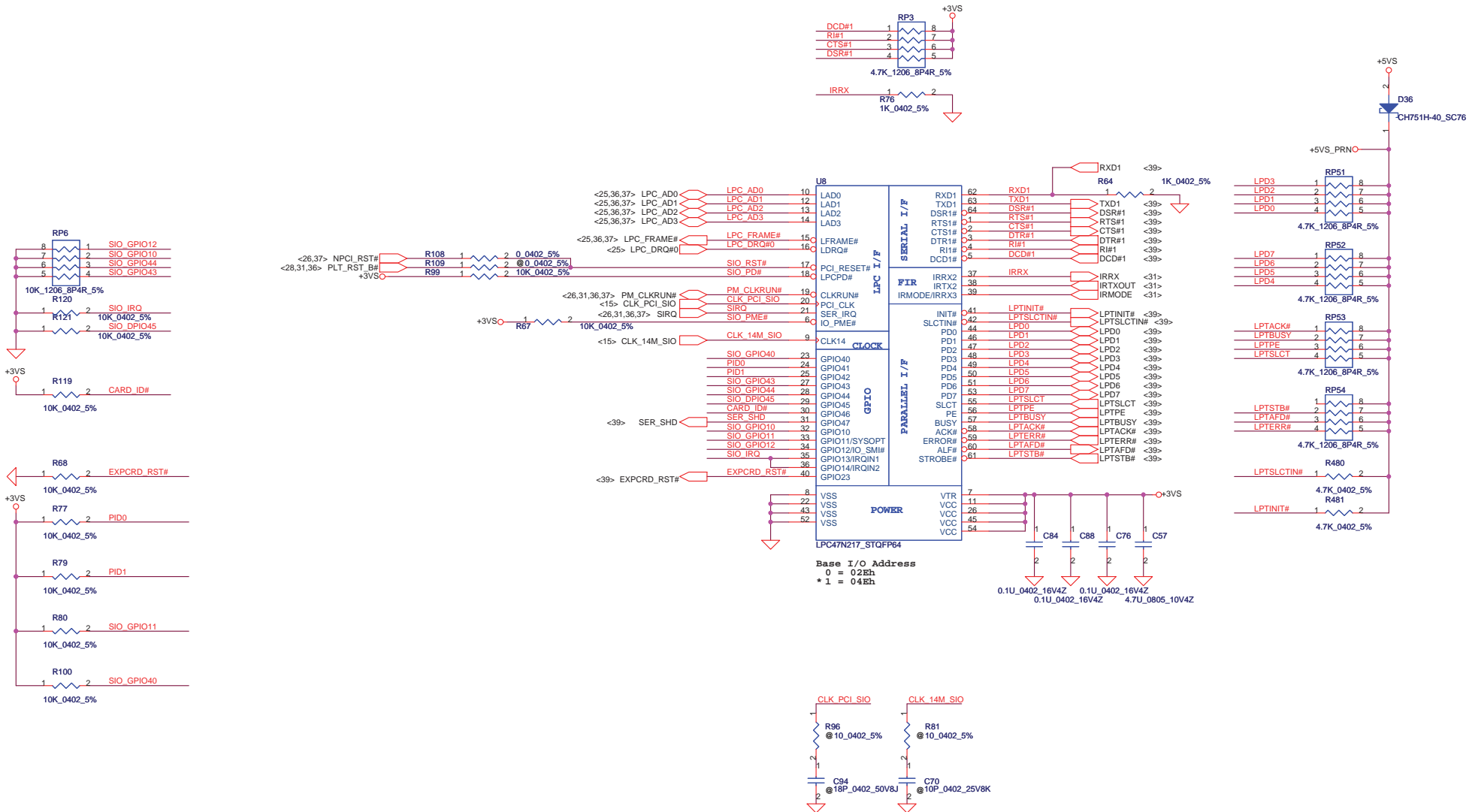
SMART Card connector



BT Connector



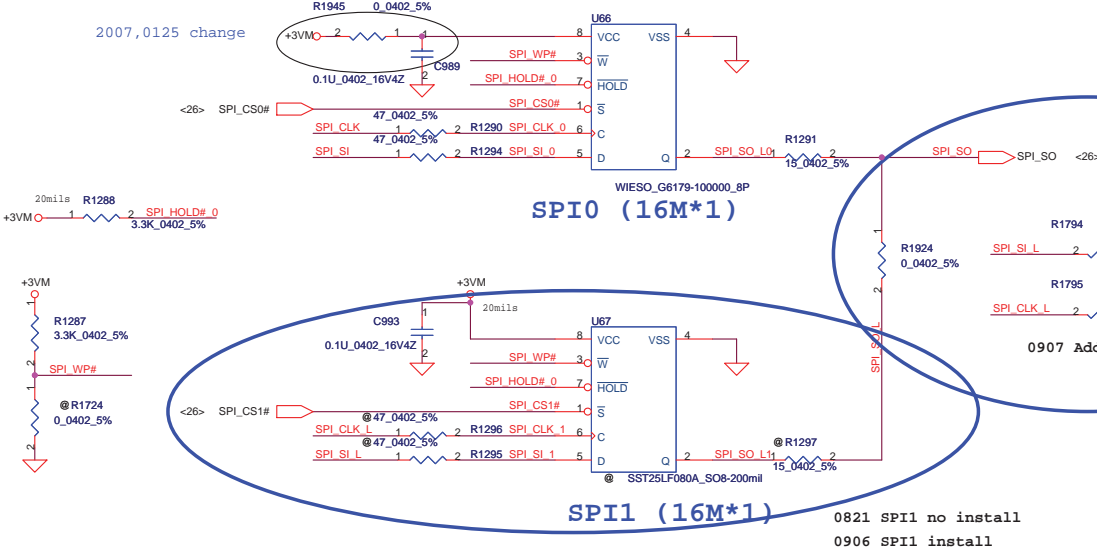
Security Classification	Compal Secret Data		Title
Issued Date	2006/09/25	Deciphered Date	2006/09/25
THIS SHEET OF ENGINEERING DRAWING IS THE PROPRIETARY PROPERTY OF COMPAL ELECTRONICS, INC. AND CONTAINS CONFIDENTIAL AND TRADE SECRET INFORMATION. THIS SHEET MAY NOT BE TRANSFERRED FROM THE CUSTODY OF THE COMPETENT DIVISION OF R&D DEPARTMENT. EMPLOYEES ARE AUTHORIZED TO COPY OR REPRODUCE THIS SHEET FOR THE INFORMATION IT SO CONTAINS. IT SHALL NOT BE USED BY OR DISCLOSED TO ANY THIRD PARTY WITHOUT THE WRITTEN CONSENT OF COMPAL ELECTRONICS, INC.			Compal Electronics, Inc. USB & BT Connector Size Document Number LA3262P_DIS_M64 Date: Tuesday, August 21, 2007 1 Sheet 34 of 57



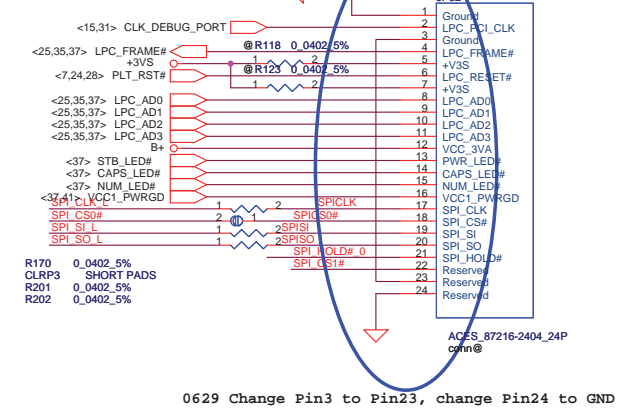
Security Classification	Compal Secret Data		Title	
Issued Date	2006/09/25	Deciphered Date	2006/09/25	Compal Electronics, Inc.
THIS SHEET OF ENGINEERING DRAWING IS THE PROPRIETARY PROPERTY OF COMPAL ELECTRONICS, INC. AND CONTAINS CONFIDENTIAL AND TRADE SECRET INFORMATION. THIS SHEET MAY NOT BE TRANSFERRED FROM THE CUSTODY OF THE COMPETENT DIVISION OF R&D DEPARTMENT ENGINEERING AUTHORIZED BY COMPAL ELECTRONICS, INC. NEITHER THIS SHEET NOR THE INFORMATION IT SO CONTAINS MAY BE USED BY OR DISCLOSED TO ANY THIRD PARTY WITHOUT THE EXPRESS WRITTEN CONSENT OF COMPAL ELECTRONICS, INC.				Super I/O LPC47N217
Size	Document Number	Rev	1A	
	LA3262P_DIS_M64			
Date:	Tuesday, August 21, 2007	Sheet	35	of 57

<http://laptop-motherboard-schematic.blogspot.com/>

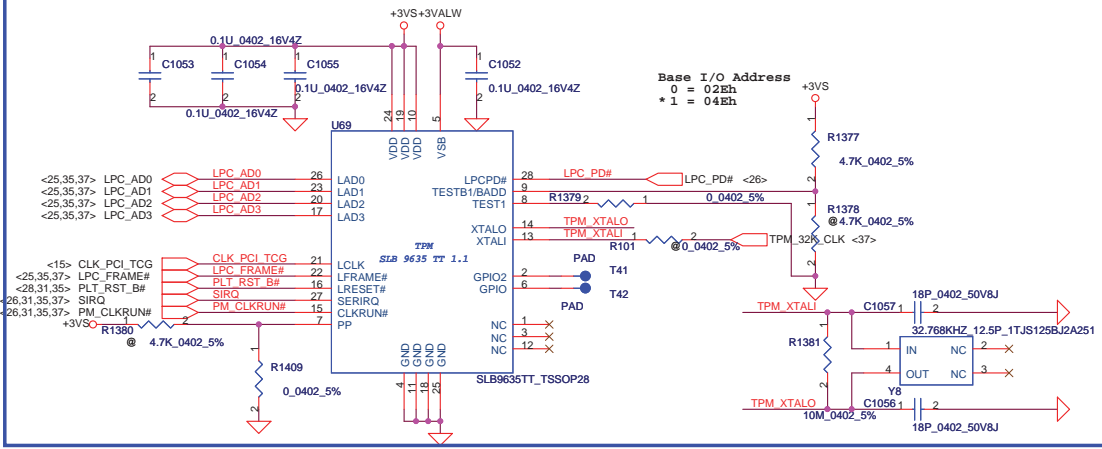
BIOS ROM



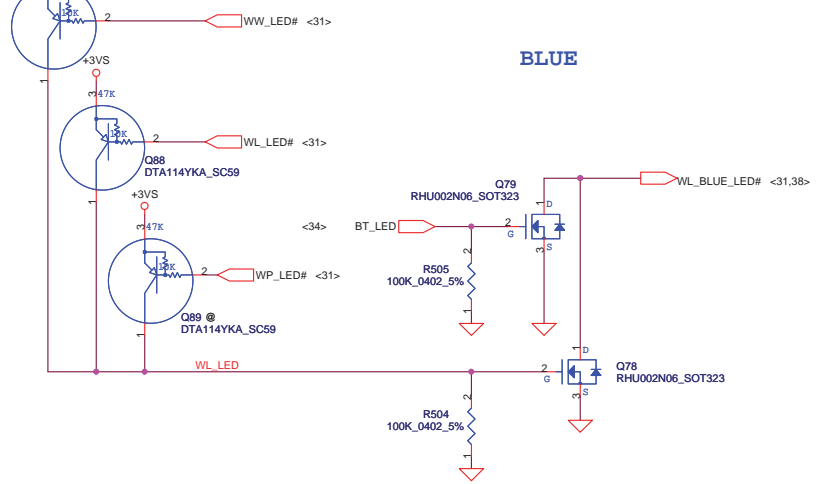
Debug port



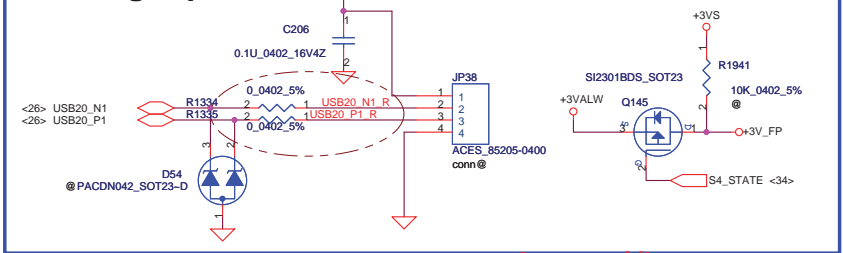
TPM1.2



Mini-PCIE Card LED

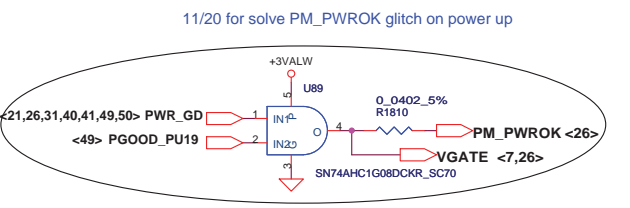
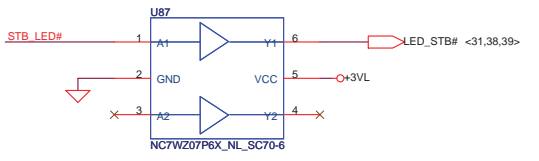
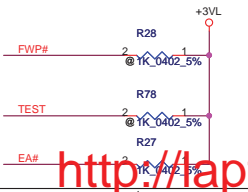
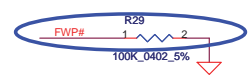
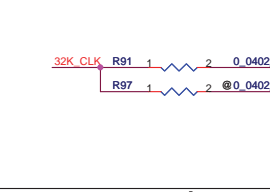
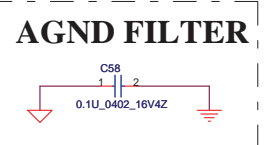
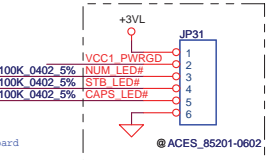
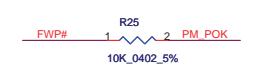
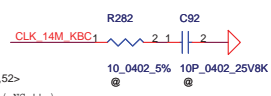
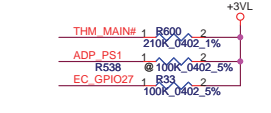
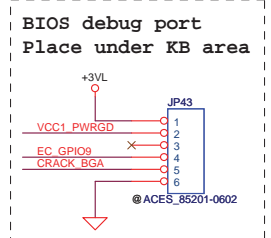
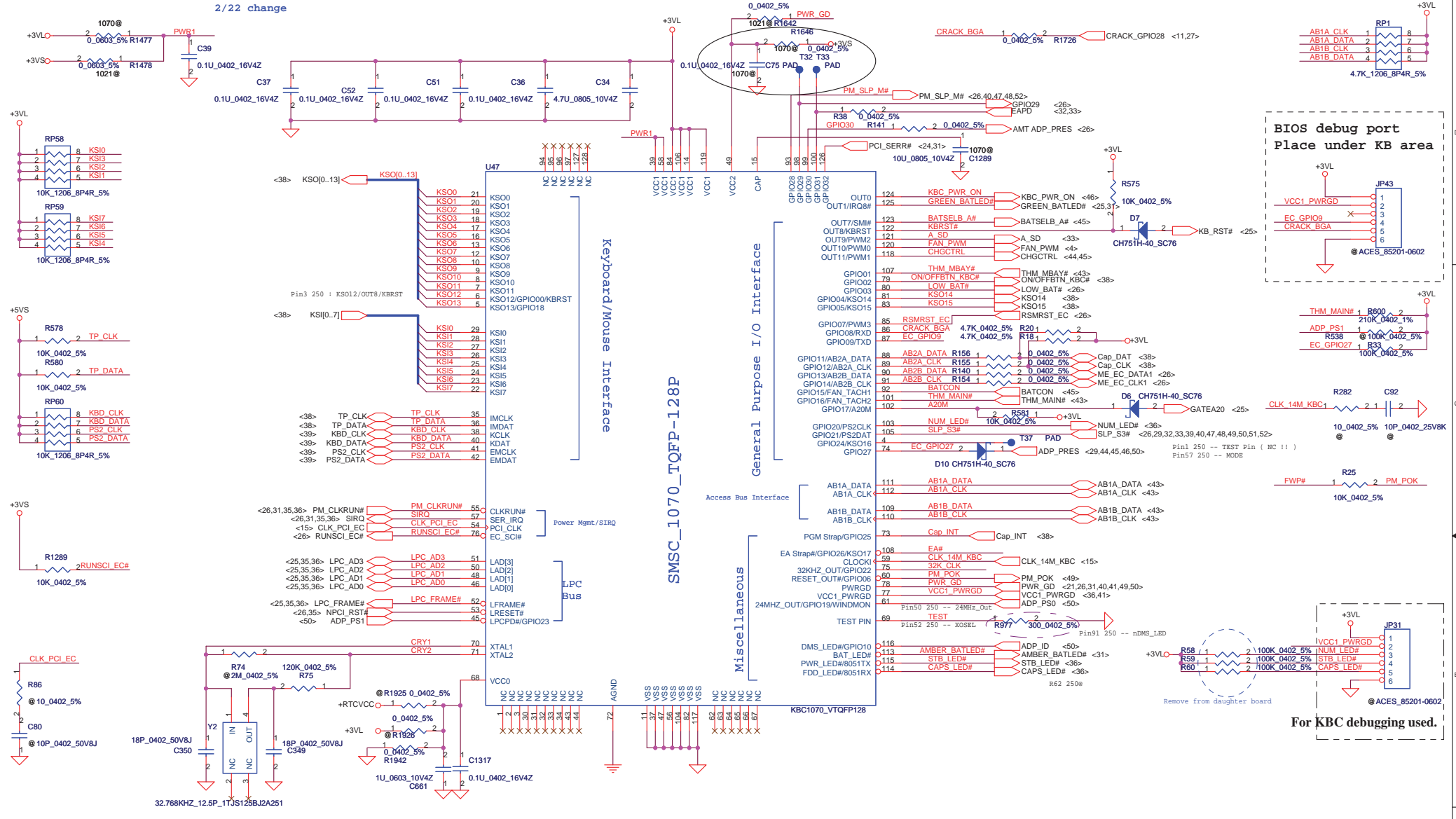


Finger printer



Security Classification	Compal Secret Data		Title	
Issued Date	2006/09/25	Deciphered Date	2006/09/25	Compal Electronics, Inc.
THIS SHEET OF ENGINEERING DRAWING IS THE PROPRIETARY PROPERTY OF COMPAL ELECTRONICS, INC. AND CONTAINS CONFIDENTIAL AND TRADE SECRET INFORMATION. THIS SHEET MAY NOT BE TRANSFERRED FROM THE CUSTODY OF THE COMPETENT DIVISION OF R&D DEPARTMENT. EXCEPT AS AUTHORIZED BY COMPAL ELECTRONICS, INC. NEITHER THIS SHEET NOR THE INFORMATION IT CONTAINS SHALL BE USED OR DISCLOSED TO ANY THIRD PARTY WITHOUT PRIOR WRITTEN CONSENT OF COMPAL ELECTRONICS, INC.				TCCG/BIOS ROM/PS2/LED/SW
Size	Document Number	Rev	1A	
	LA3262P_DIS_M64			
Date:	Tuesday, August 21, 2007	Sheet	36	of 57

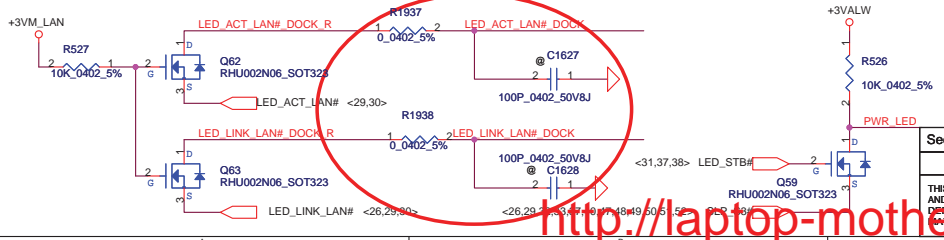
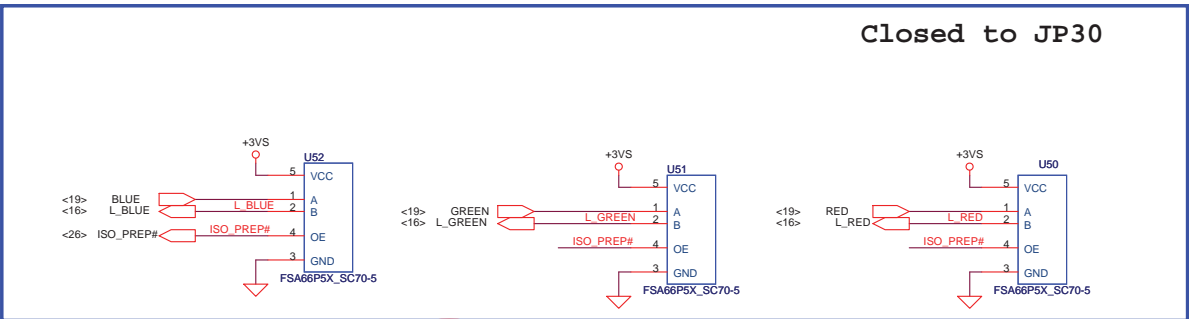
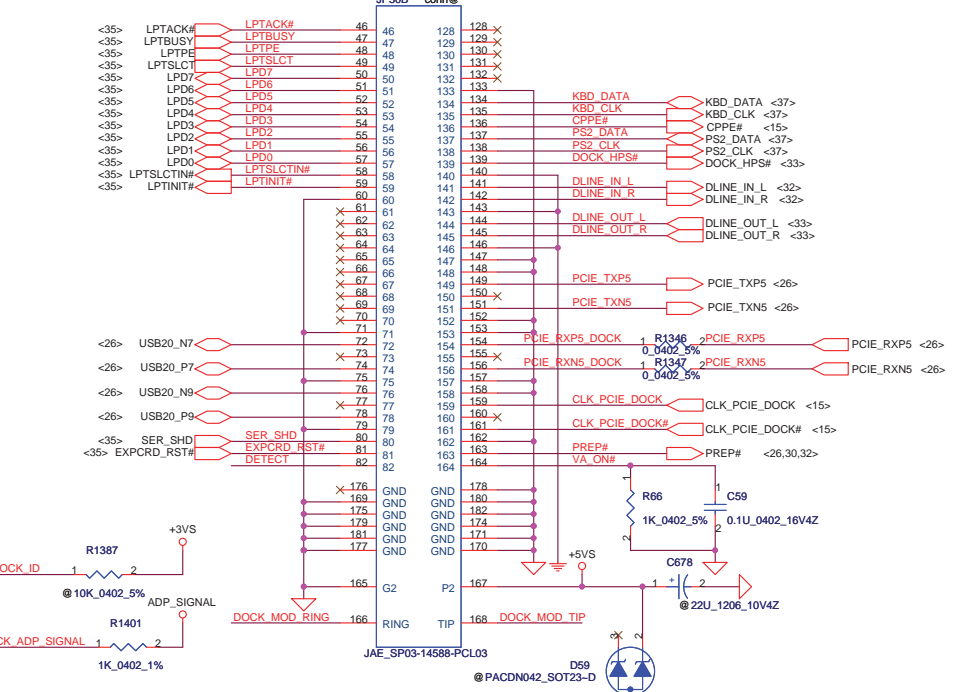
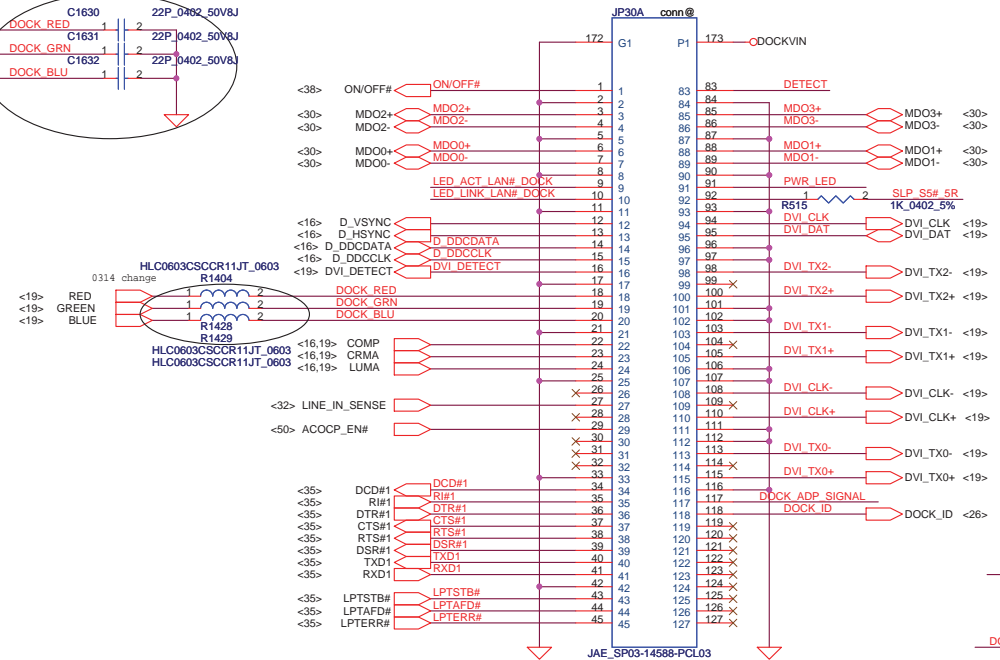
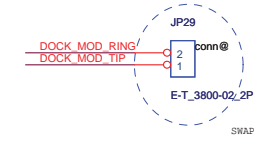
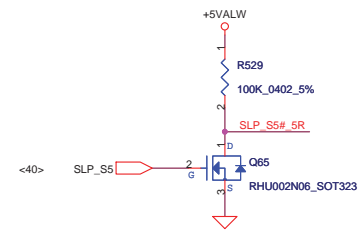
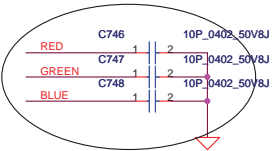
2/22 change



Security Classification	Compal Secret Data		Title
Issued Date	2006/09/25	Deciphered Date	2006/09/25
THIS SHEET OF ENGINEERING DRAWING IS THE PROPRIETARY PROPERTY OF COMPAL ELECTRONICS, INC. AND CONTAINS CONFIDENTIAL AND TRADE SECRET INFORMATION. THIS SHEET MAY NOT BE TRANSFERRED FROM THE CUSTODY OF THE COMPETENT DIVISION OF R&D DEPARTMENT. EMPLOYEES ARE NOT TO DISCLOSE OR REPRODUCE THIS SHEET WITHOUT THE WRITTEN PERMISSION OF COMPAL ELECTRONICS, INC. ANY USE OF THIS SHEET OR INFORMATION THEREON BY ANY THIRD PARTY WITHOUT THE WRITTEN PERMISSION OF COMPAL ELECTRONICS, INC. IS STRICTLY PROHIBITED.			
Size	Document Number	Rev	
	L3262P_DIS_M64	1A	
Date:	Tuesday, August 21, 2007	Sheet	37 of 57

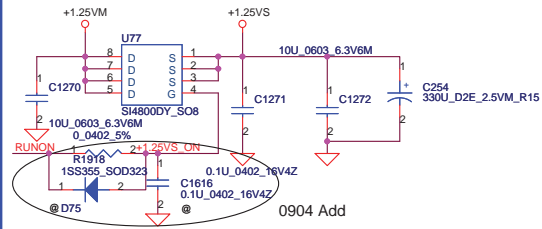
<http://laptop-motherboard-schematic.blogspot.com/>

DOCK CONN. 184PIN

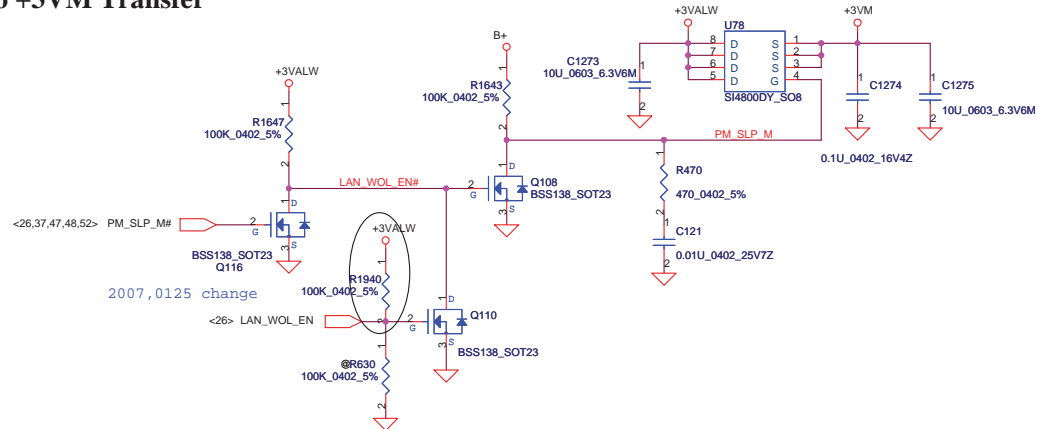


Security Classification	Compal Secret Data		Title	
Issued Date	2006/09/25	Deciphered Date	2006/09/25	2006/09/25
THIS SHEET OF ENGINEERING DRAWING IS THE PROPRIETARY PROPERTY OF COMPAL ELECTRONICS, INC. AND CONTAINS CONFIDENTIAL AND TRADE SECRET INFORMATION. THIS SHEET MAY NOT BE TRANSFERRED FROM THE CUSTODY OF THE COMPETENT DIVISION OF R&D DEPARTMENT. ENGINEER'S AUTHORIZED BY COMPAL ELECTRONICS, INC. WHETHER THIS SHEET NORTH INFORMATION IS SO STAIN MAY BE USED BY OR DISCLOSED TO ANY THIRD PARTY WITHOUT THE WRITTEN CONSENT OF COMPAL ELECTRONICS, INC.				
Size	Document Number	Date		Rev
	LA3262P_DIS_M64	Tuesday, August 21, 2007		1A
© 2007 Compal Electronics, Inc. All rights reserved.				

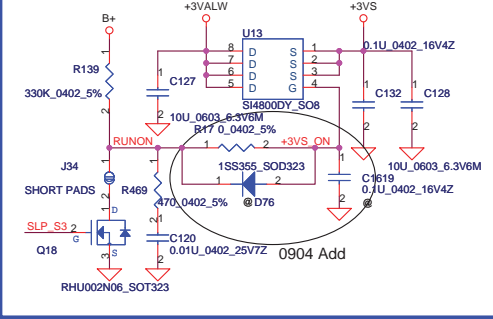
+1.25VM to +1.25VS Transfer



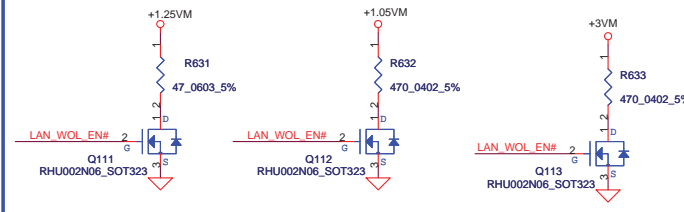
+3VALW to +3VM Transfer



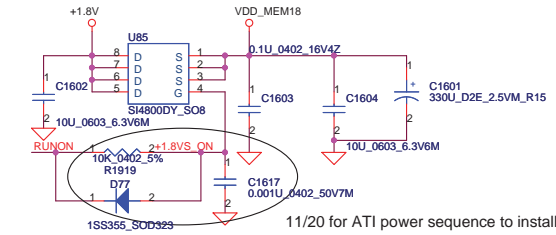
+3VALW to +3VS Transfer



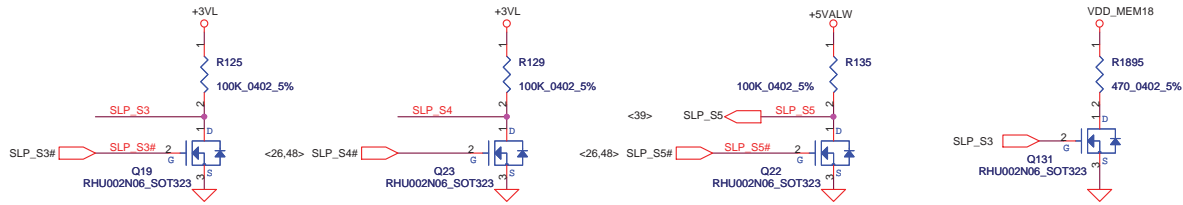
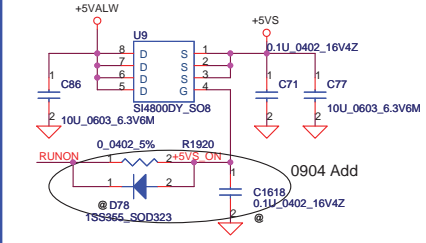
Discharge circuit-2 for V-M



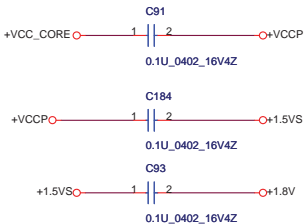
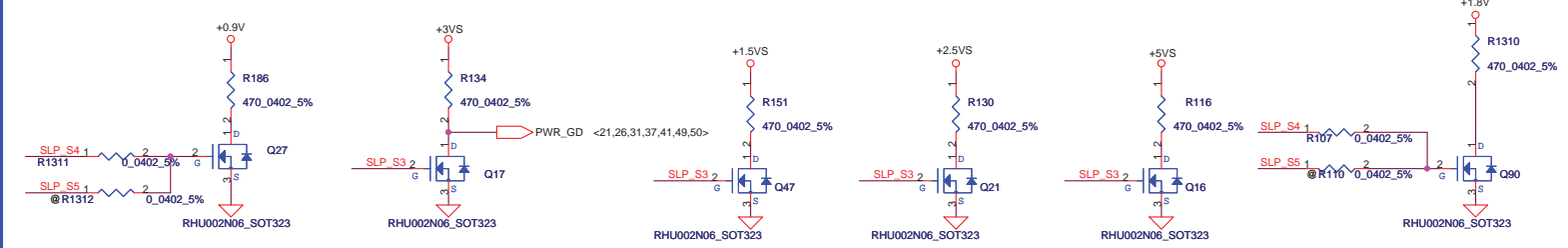
+1.8V to VDD_MEM18 Transfer



+5VALW to +5VS Transfer

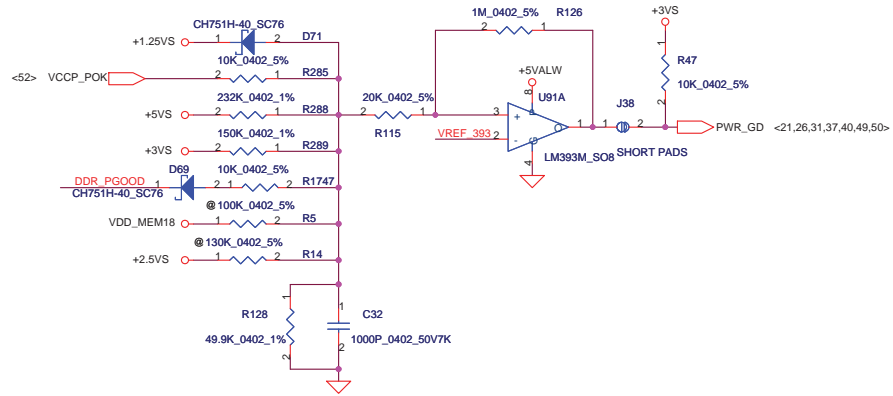


Discharge circuit-1

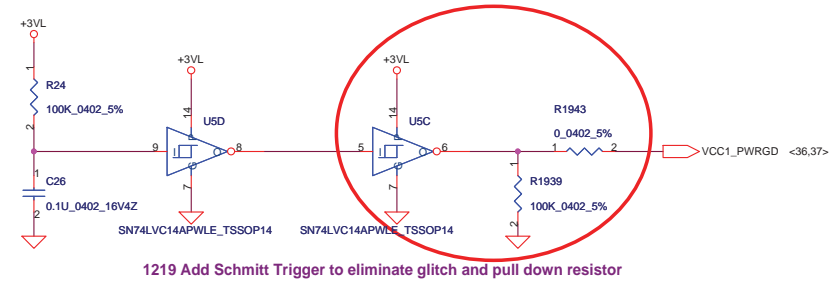


Security Classification	Compal Secret Data		Title		
Issued Date	2006/09/25	Deciphered Date	2006/09/25	DC/DC Circuits	
THIS SHEET OF ENGINEERING DRAWING IS THE PROPRIETARY PROPERTY OF COMPAL ELECTRONICS, INC. AND CONTAINS CONFIDENTIAL AND TRADE SECRET INFORMATION. THIS SHEET MAY NOT BE TRANSFERRED FROM THE CUSTODY OF THE COMPETENT DIVISION OF R&D DEPARTMENT, ENGINEERING AUTHORIZED BY COMPAL ELECTRONICS, INC. NEITHER THIS SHEET NOR THE INFORMATION IT SO CONTAINS MAY BE USED BY OR DISCLOSED TO ANY THIRD PARTY WITHOUT THE WRITTEN CONSENT OF COMPAL ELECTRONICS, INC.				Size	Document Number
				LA3262P_DIS_M64	Rev 1A
				Date:	Tuesday, August 21, 2007
				Sheet	40 of 57

PWR_OK circuit



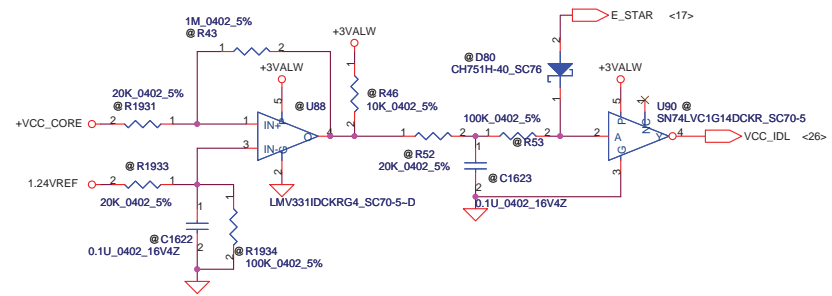
KBC PWR_OK circuit



1219 Add Schmitt Trigger to eliminate glitch and pull down resistor

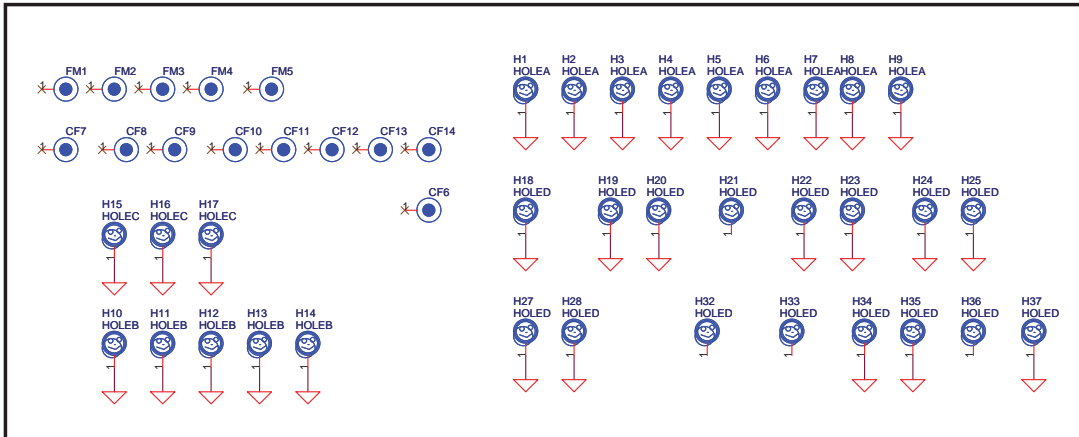
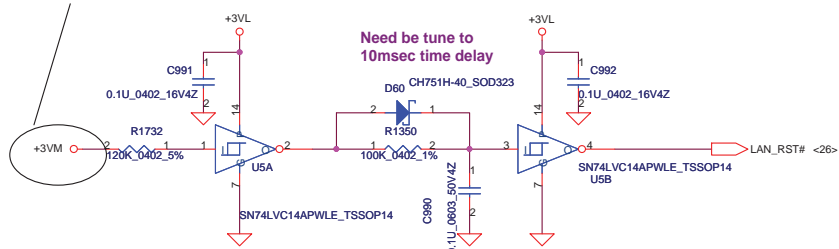
Energy Star for CPU

1114 Add

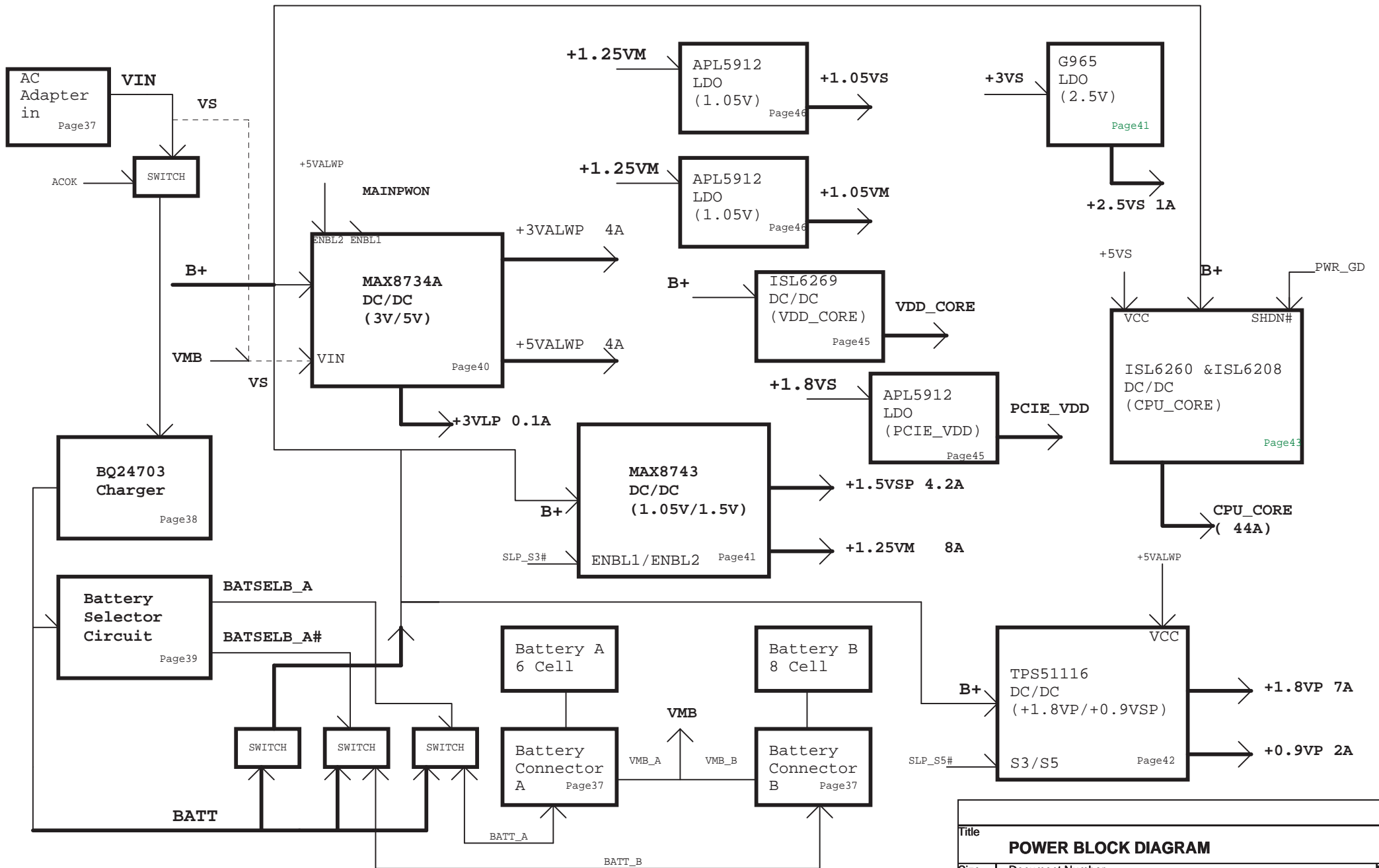


LAN_RST circuit

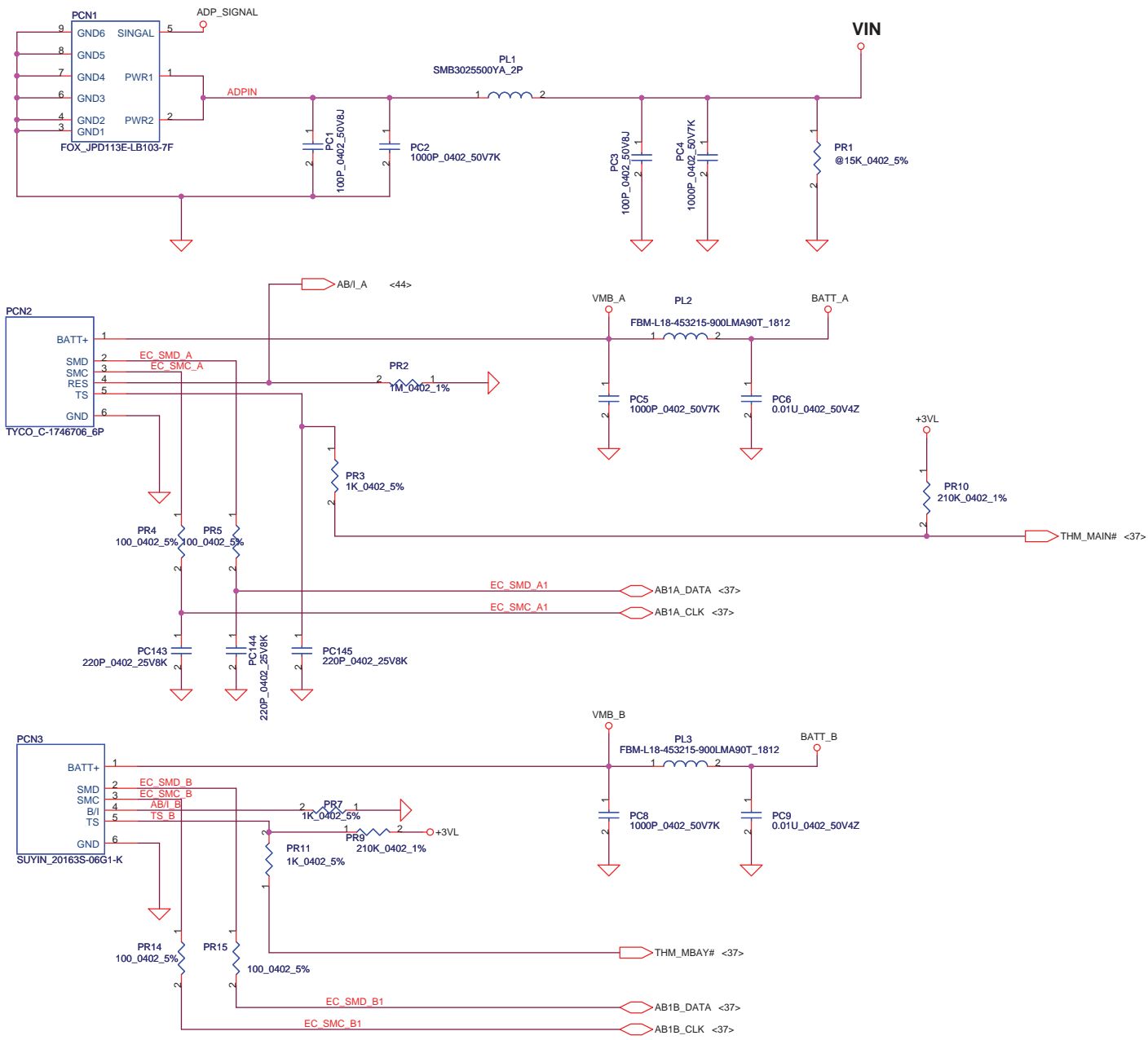
11/20 Enable ACBS (power management for NIC)



Security Classification	Compal Secret Data		Compal Electronics, Inc.	
Issued Date	2006/09/25	Deciphered Date	2006/09/25	Title
				POK CKT
THIS SHEET OF ENGINEERING DRAWING IS THE PROPRIETARY PROPERTY OF COMPAL ELECTRONICS, INC. AND CONTAINS CONFIDENTIAL AND TRADE SECRET INFORMATION. THIS SHEET MAY NOT BE TRANSFERRED FROM THE CUSTODY OF THE COMPETENT DIVISION OF R&D DEPARTMENT EXCEPT AS AUTHORIZED BY COMPAL ELECTRONICS, INC. NEITHER THIS SHEET NOR THE INFORMATION IT CONTAINS MAY BE USED BY OR DISCLOSED TO ANY THIRD PARTY WITHOUT PRIOR WRITTEN PERMISSION OF COMPAL ELECTRONICS, INC.				Size
				Document Number
				LA3262P DIS_M64
				Rev
				1A
				Date
				Tuesday, August 21, 2007
				Sheet
				41 of 57



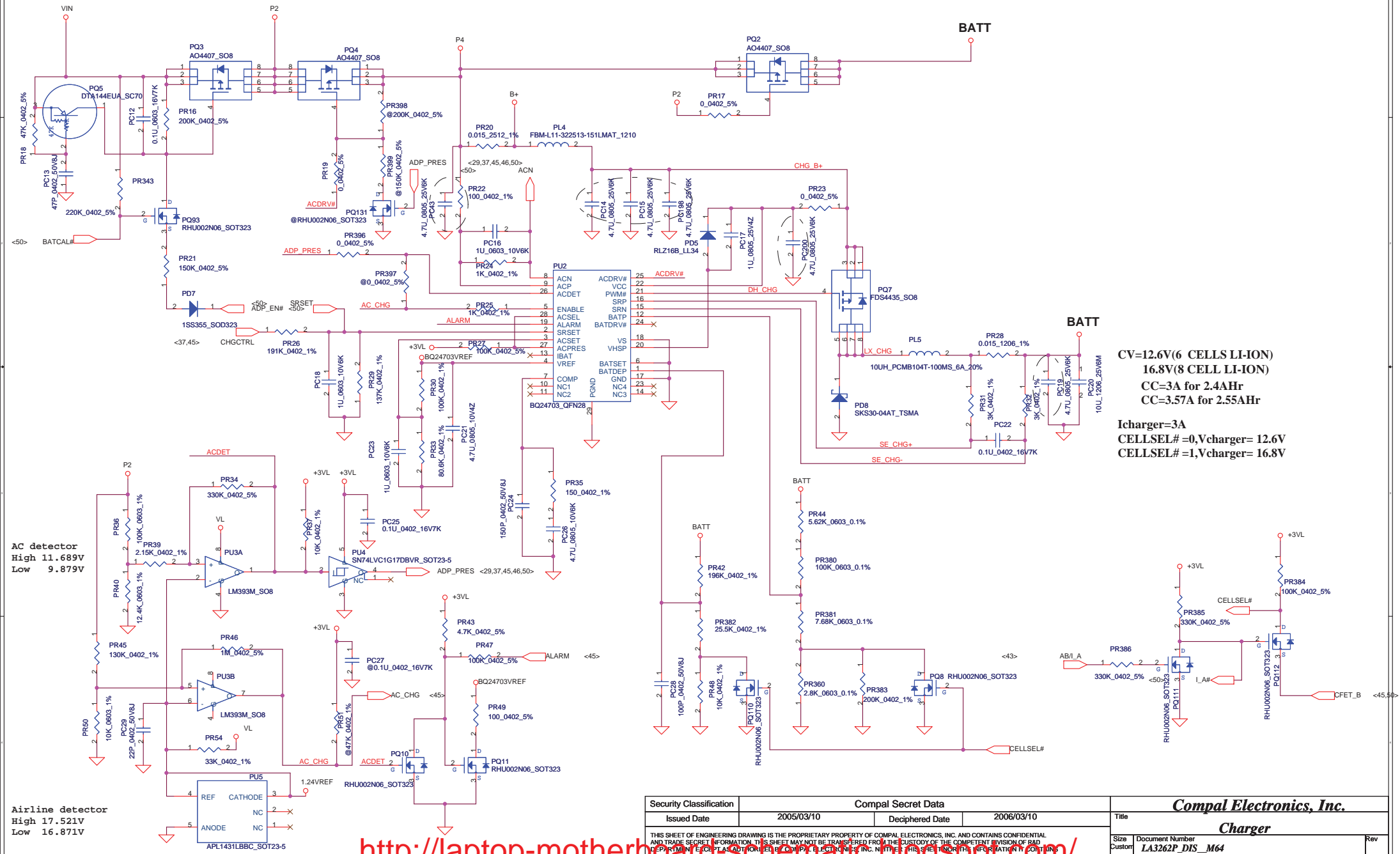
Title		
POWER BLOCK DIAGRAM		
Size	Document Number	Rev
Date:	Tuesday, August 21, 2007	Sheet 42 of 57



Security Classification		Compal Secret Data	
Issued Date	2005/03/10	Deciphered Date	2006/03/10
THIS SHEET OF ENGINEERING DRAWING IS THE PROPRIETARY PROPERTY OF COMPAL ELECTRONICS, INC. AND CONTAINS CONFIDENTIAL AND TRADE SECRET INFORMATION. THIS SHEET MAY NOT BE TRANSFERRED FROM THE CUSTODY OF THE COMPETENT DIVISION OF R&D OR FROM THE CUSTODY OF THE COMPETENT DIVISIONS OF R&D TO ANY OTHER DIVISIONS OF COMPAL ELECTRONICS, INC. WITHOUT THE WRITTEN CONSENT OF COMPAL ELECTRONICS, INC. IT MAY BE USED BY OR DISCLOSED TO ANY THIRD PARTY WITHOUT THE WRITTEN CONSENT OF COMPAL ELECTRONICS, INC.			

Compal Electronics, Inc.		
Title		
BATTERY CONN		
Size	Document Number	Rev
Custom	LA3262P_DIS_M64	
Date:	Tuesday, August 21, 2007	Sheet 43 of 57

<http://laptop-motherboard-schematic.blogspot.com/>



CV=12.6V(6 CELLS LI-ION)
16.8V(8 CELL LI-ION)
CC=3A for 2.4Ahr
CC=3.57A for 2.55Ahr
Icharger=3A
CELLSEL#=0,Vcharger= 12.6V
CELLSEL#=1,Vcharger= 16.8V

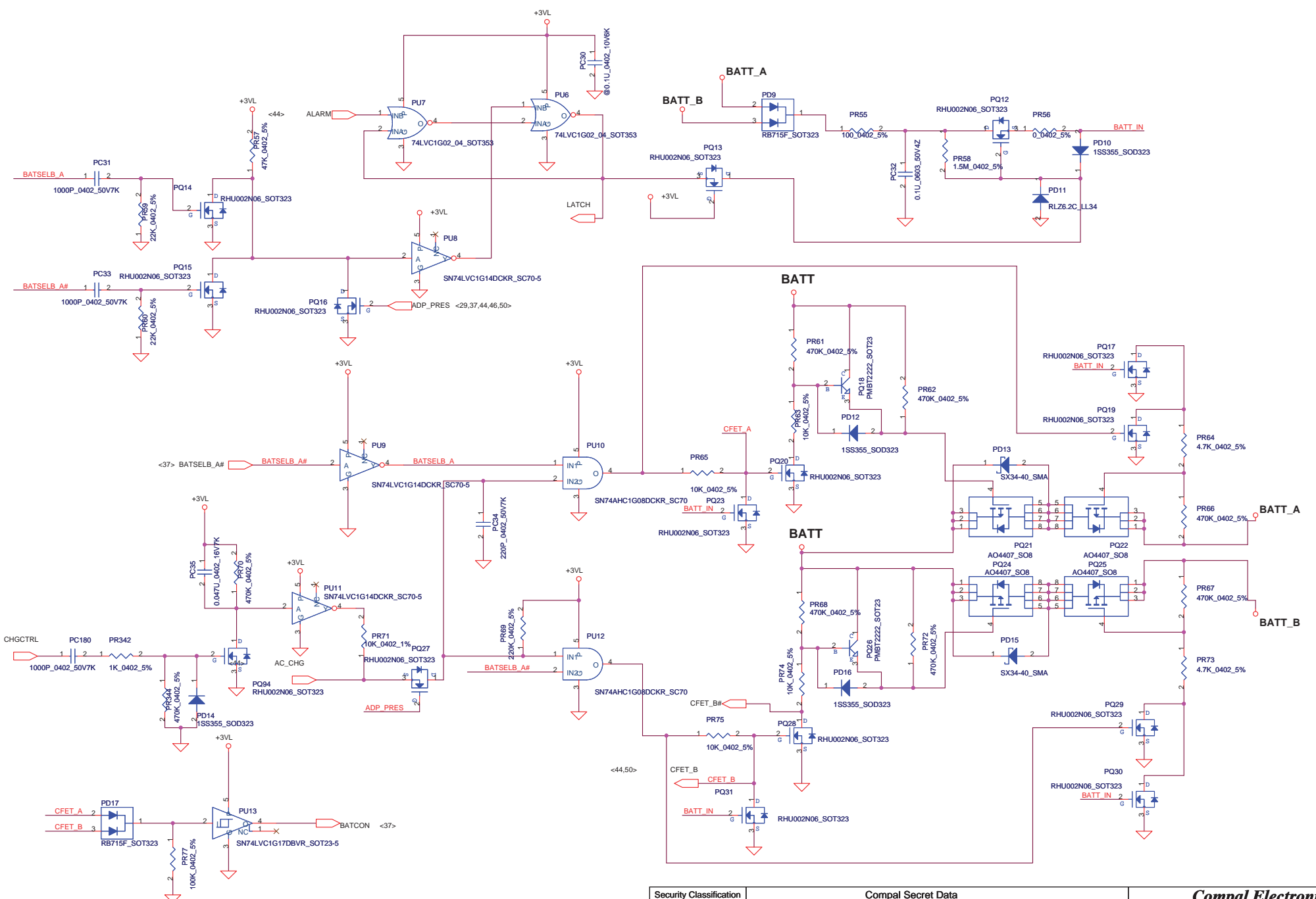
AC detector
High 11.689V
Low 9.879V

Airline detector
High 17.521V
Low 16.871V

Security Classification **Compal Secret Data**
Issued Date 2005/03/10 **Deciphered Date** 2006/03/10
 THIS SHEET OF ENGINEERING DRAWING IS THE PROPRIETARY PROPERTY OF COMPAL ELECTRONICS, INC. AND CONTAINS CONFIDENTIAL AND TRADE SECRET INFORMATION. THIS SHEET MAY NOT BE TRANSFERRED FROM THE CUSTODY OF THE COMPETENT DIVISION OF R&D OR FROM THE CUSTODY OF A DESIGNER OR ENGINEER TO ANY OTHER PERSON OR ENTITY WITHOUT THE WRITTEN PERMISSION OF COMPAL ELECTRONICS, INC. ANY DISCLOSURE OF THIS INFORMATION TO ANY OTHER PERSON OR ENTITY WITHOUT THE WRITTEN PERMISSION OF COMPAL ELECTRONICS, INC. IS STRICTLY PROHIBITED.

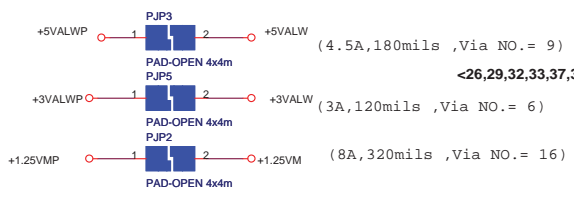
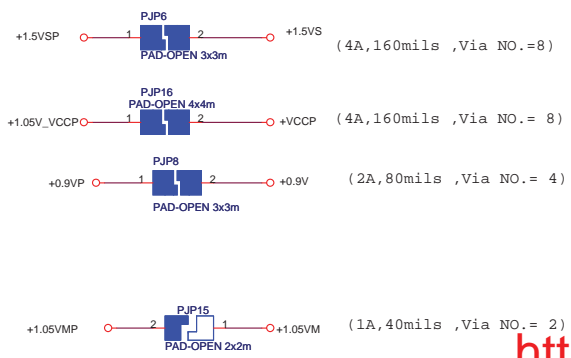
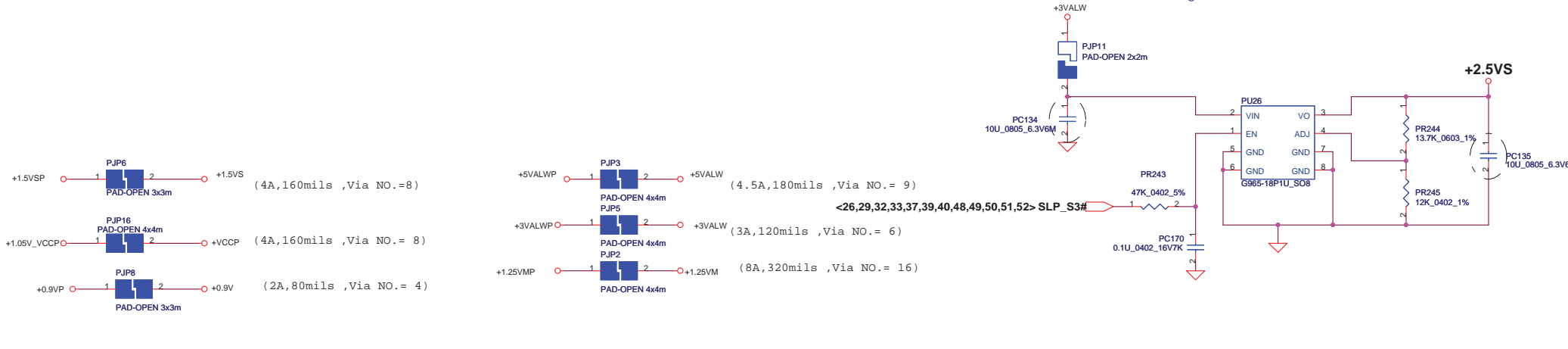
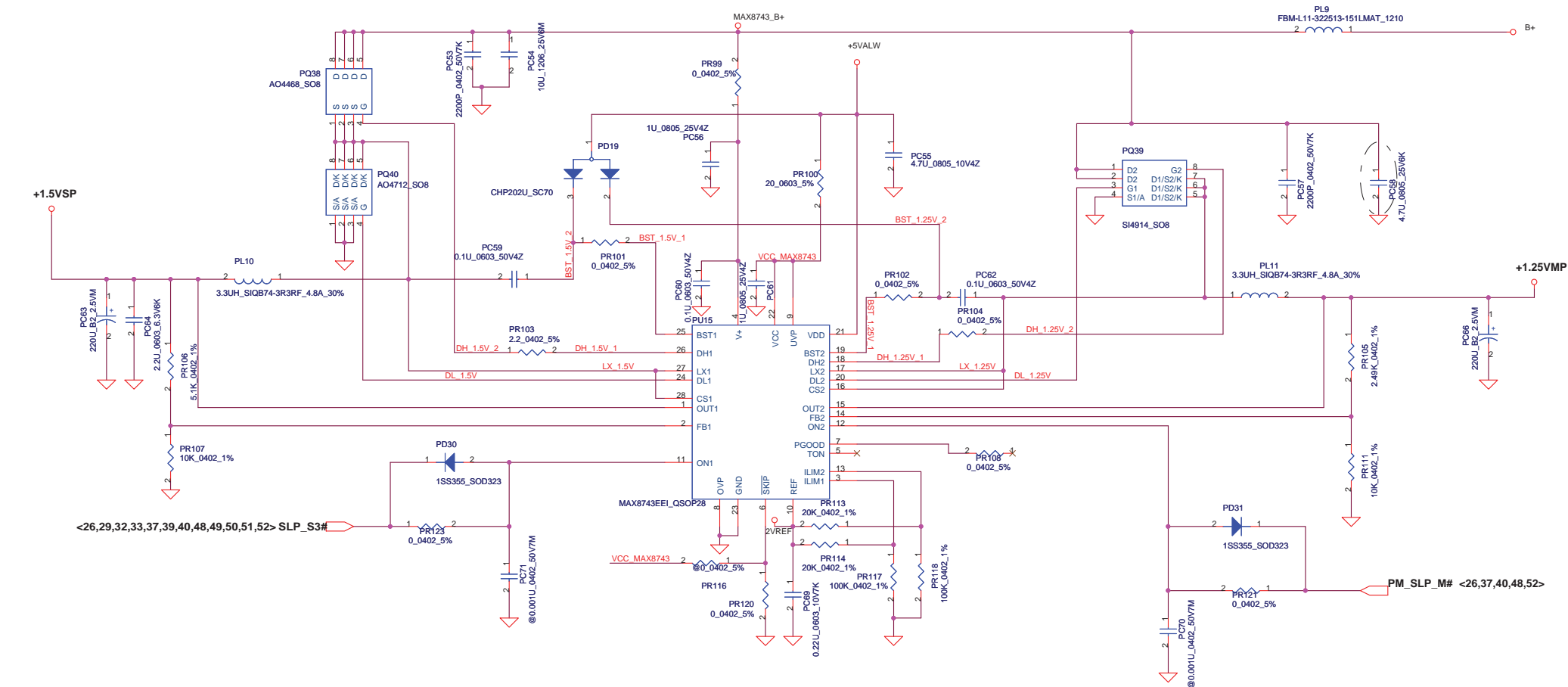
Compal Electronics, Inc. Charger		Title
		Size Document Number Custom LA3262P_DIS_M64
Date: Tuesday, August 21, 2007	Sheet 44	of 57

<http://laptop-motherboard.com>



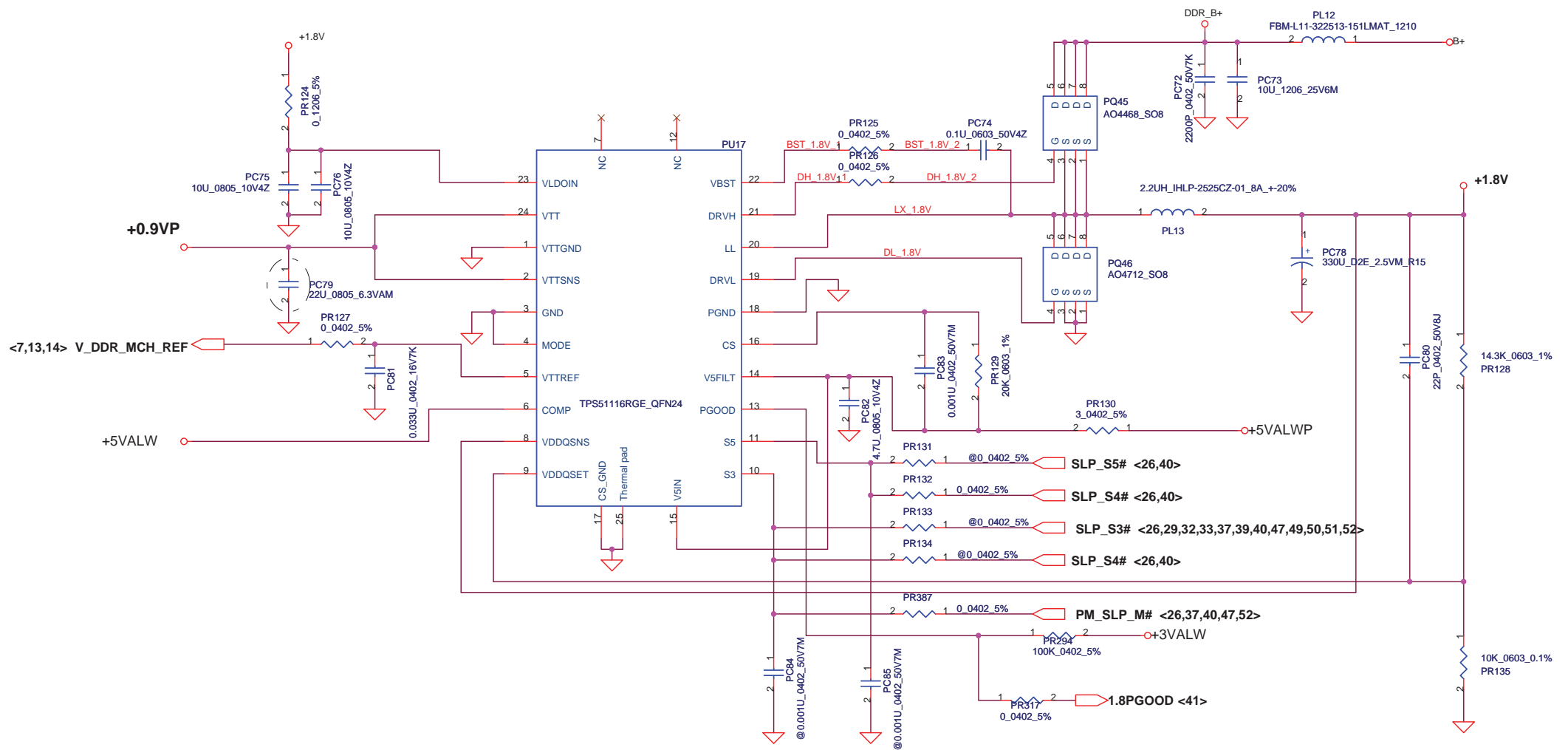
Security Classification		Compal Secret Data		Title	
Issued Date	2005/03/10	Deciphered Date	2006/03/10	Compal Electronics, Inc.	
				Battery selector	
THIS SHEET OF ENGINEERING DRAWING IS THE PROPRIETARY PROPERTY OF COMPAL ELECTRONICS, INC. AND CONTAINS CONFIDENTIAL AND TRADE SECRET INFORMATION. THIS SHEET MAY NOT BE TRANSFERRED FROM THE CUSTODY OF THE COMPETENT DIVISION OF R&D WITHOUT THE WRITTEN PERMISSION OF COMPAL ELECTRONICS, INC. IN THE EVENT OF ANY DISSEMINATION OF THIS SHEET OF ENGINEERING DRAWING TO ANY OTHER PERSON OR ENTITY, THE USER SHALL BE RESPONSIBLE FOR OBTAINING THE NECESSARY PERMISSION FROM COMPAL ELECTRONICS, INC.					
Size	Document Number			Rev	
Custom	LA3262P_DIS_M64				
Date:	Tuesday, August 21, 2007	Sheet	45	of	57

<http://laptop-motherboard.com> <http://www.compal-electronics.com/>

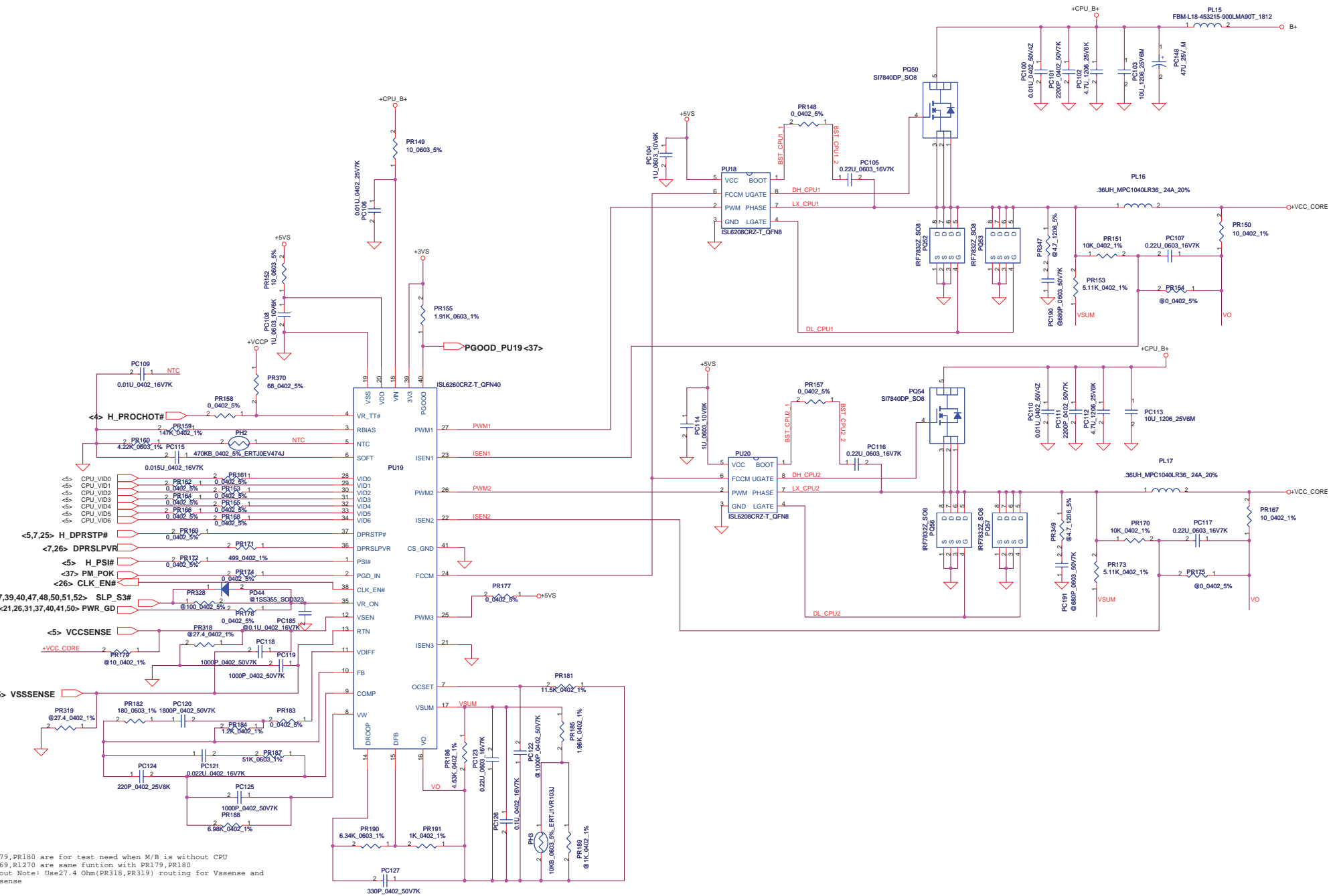


Security Classification		Compal Secret Data		Title	
Issued Date	2005/03/10	Deciphered Date	2006/03/10	2.5VALW/1.5VS/1.25VMP	
THIS SHEET OF ENGINEERING DRAWING IS THE PROPRIETARY PROPERTY OF COMPAL ELECTRONICS, INC. AND CONTAINS CONFIDENTIAL AND TRADE SECRET INFORMATION. THIS SHEET MAY NOT BE TRANSFERRED FROM THE CUSTODY OF THE COMPETENT DIVISION OF R&D TO ANY OTHER DEPARTMENT OR DIVISION OF COMPAL ELECTRONICS, INC. WITHOUT THE WRITTEN PERMISSION OF THE COMPETENT DIVISION OF R&D. ANY UNAUTHORIZED REPRODUCTION OR DISSEMINATION OF THIS SHEET IS STRICTLY PROHIBITED. COMPAL ELECTRONICS, INC.				Size	Document Number
Customer	LA3262P_DIS_M64	Rev			
Date:	Tuesday, August 21, 2007	Sheet	47	of	57

<http://laptop-motherboard.com>



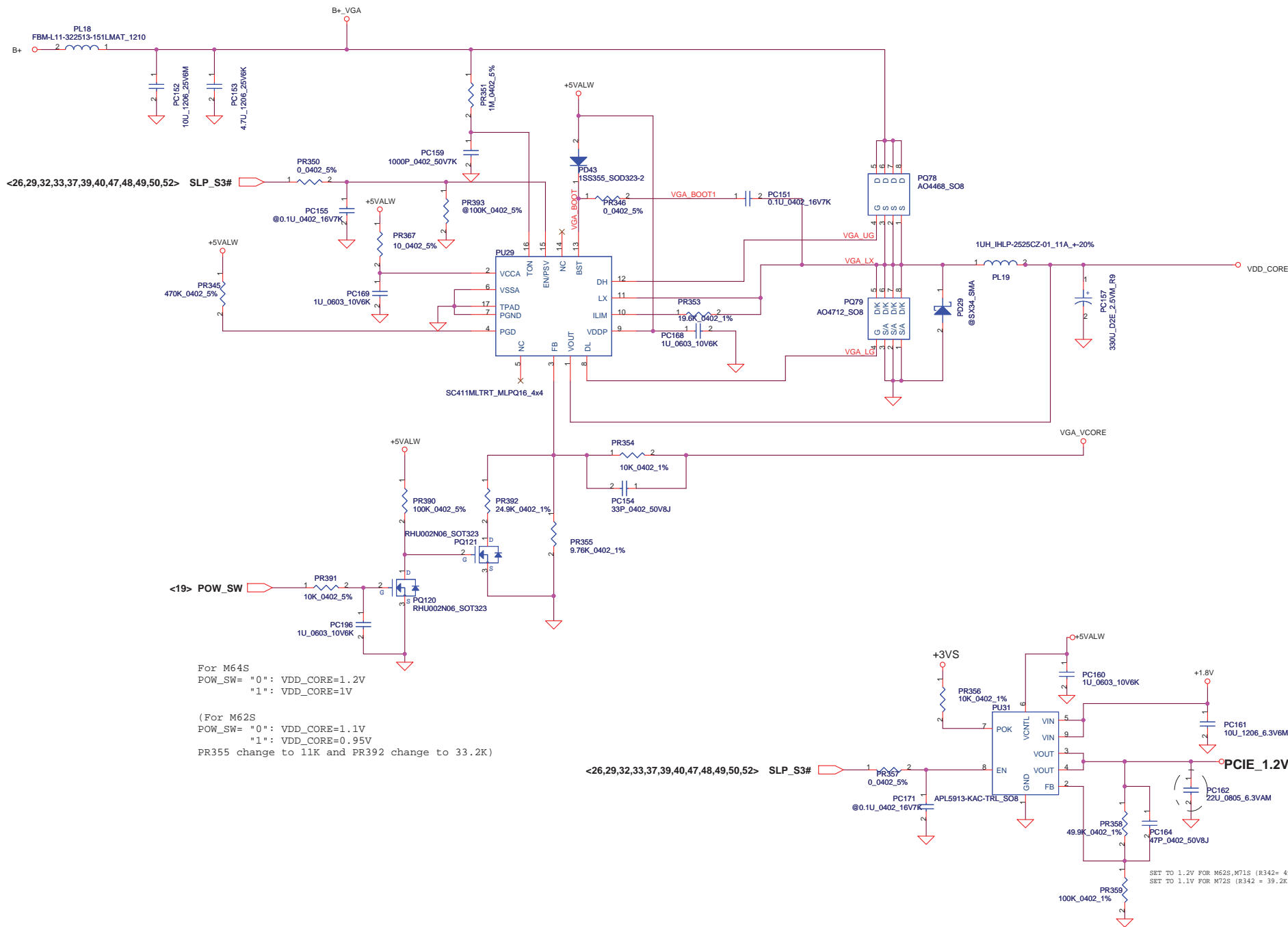
Security Classification	Compal Secret Data		Compal Electronics, Inc. 1.8V/0.9VS	
Issued Date	2005/03/10	Deciphered Date		
THIS SHEET OF ENGINEERING DRAWING IS THE PROPRIETARY PROPERTY OF COMPAL ELECTRONICS, INC. AND CONTAINS CONFIDENTIAL AND TRADE SECRET INFORMATION. THIS SHEET MAY NOT BE TRANSFERRED FROM THE CUSTODY OF THE COMPETENT DIVISION OF R&D DEPARTMENT EXCEPT AS AUTHORIZED BY COMPAL ELECTRONICS, INC. NEITHER THIS SHEET NOR THE INFORMATION IT CONTAINS MAY BE USED BY OR DISCLOSED TO ANY THIRD PARTY WITHOUT PRIOR WRITTEN CONSENT OF COMPAL ELECTRONICS, INC.				Title 1.8V/0.9VS
Size LA3262P_DIS_M64			Document Number LA3262P_DIS_M64	Rev
Date Tuesday, August 21, 2007			Sheet 48	of 57



PR179, PR180 are for test need when M/B is without CPU
 R1269, R1270 are same function with PR179, PR180
 Layout Note: Use 27.4 Ohm (PR318, PR319) routing for Vasense and Vccsense

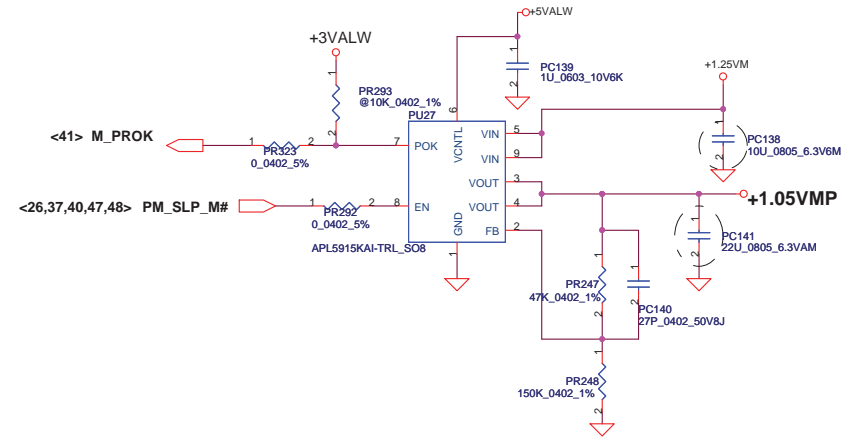
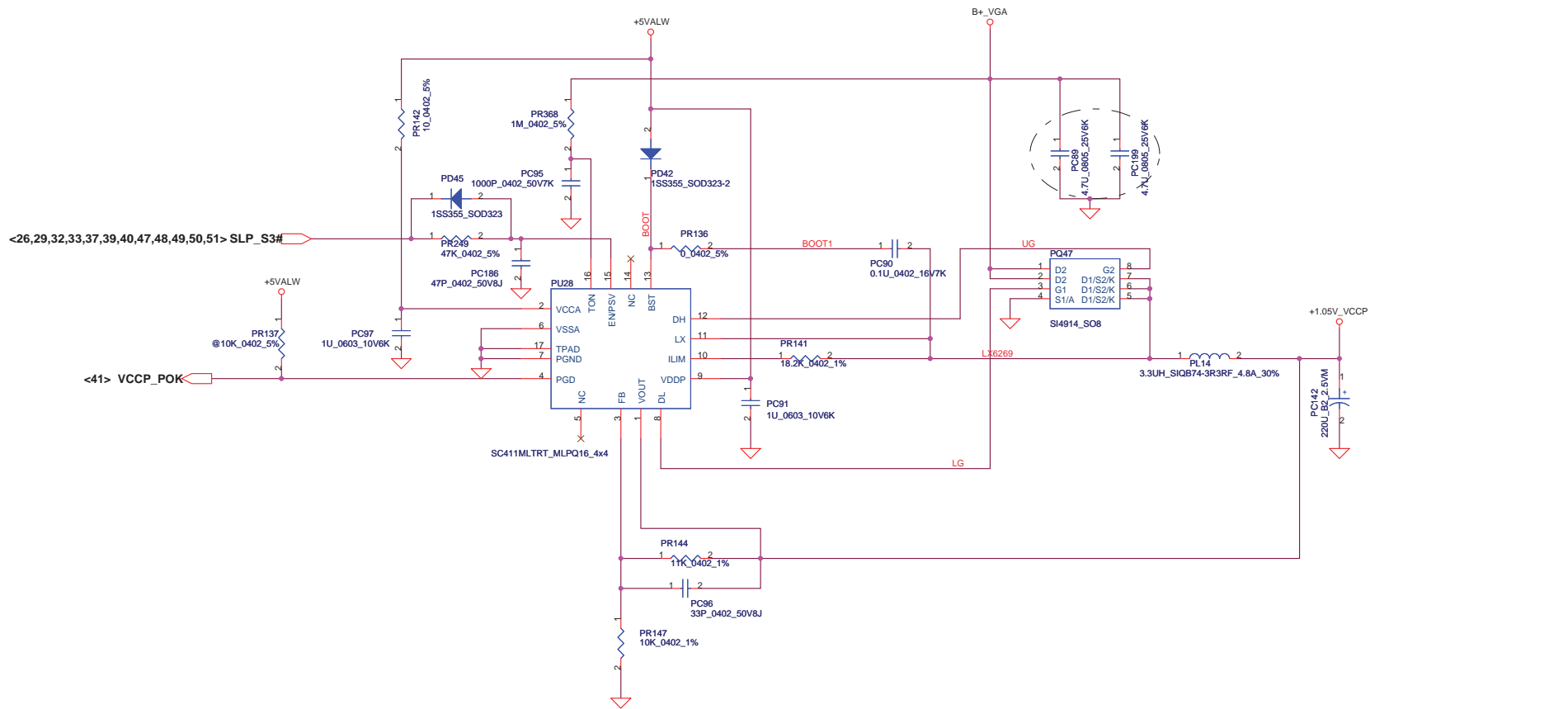
Security Classification	Compal Secret Data		Compal Electronics, Inc.
Issued Date	2005/03/10	Deciphered Date	2006/03/10
THIS SHEET OF ENGINEERING DRAWINGS IS THE PROPRIETARY PROPERTY OF COMPAL ELECTRONICS, INC. AND CONTAINS CONFIDENTIAL AND TRADE SECRET INFORMATION. THIS SHEET MAY NOT BE REPRODUCED, COPIED, TRANSMITTED, OR DISCLOSED IN ANY MANNER WITHOUT THE WRITTEN PERMISSION OF COMPAL ELECTRONICS, INC. IN THE EVENT OF SUCH REPRODUCTION, THE USER SHALL BE RESPONSIBLE FOR OBTAINING THE NECESSARY PERMISSIONS FROM THE ORIGINAL SOURCE. NO PART OF THIS SHEET IS TO BE REPRODUCED OR TRANSMITTED IN ANY FORM OR BY ANY MEANS, ELECTRONIC OR MECHANICAL, INCLUDING PHOTOCOPYING, RECORDING, OR BY ANY INFORMATION STORAGE AND RETRIEVAL SYSTEM.			Title CPU CORE
Size	Document Number	Rev	
C	LA3262P_DIS_M64		
Date:	Tuesday, August 21, 2007	Sheet	49 of 57

<http://laptop-motherboard.com/guestbook/>



Security Classification	Compal Secret Data		Title	
Issued Date	2005/03/10	Deciphered Date	2006/03/10	Compal Electronics, Inc.
				VDD_CORE
THIS SHEET OF ENGINEERING DRAWING IS THE PROPRIETARY PROPERTY OF COMPAL ELECTRONICS, INC. AND CONTAINS CONFIDENTIAL AND TRADE SECRET INFORMATION. THIS SHEET MAY NOT BE TRANSFERRED FROM THE CUSTODY OF THE COMPETENT DIVISION OF R&D DEPARTMENT EXCEPT AS AUTHORIZED BY COMPAL ELECTRONICS, INC. NEITHER THIS SHEET NOR THE INFORMATION CONTAINED THEREIN IS TO BE REPRODUCED OR DISCLOSED TO ANY THIRD PARTY WITHOUT PRIOR WRITTEN CONSENT OF COMPAL ELECTRONICS, INC.				Size Custom
				Document Number LA3262P_DIS_M64
				Rev
				Date: Tuesday, August 21, 2007 Sheet 51 of 57

<http://laptop-motherboard-schematic.blogspot.com/>



Security Classification	Compal Secret Data		Title		
Issued Date	2005/03/10	Deciphered Date	2006/03/10	+1.25VMP/+1.05V_VCCP	
THIS SHEET OF ENGINEERING DRAWING IS THE PROPRIETARY PROPERTY OF COMPAL ELECTRONICS, INC. AND CONTAINS CONFIDENTIAL AND TRADE SECRET INFORMATION. THIS SHEET MAY NOT BE TRANSFERRED FROM THE CUSTODY OF THE COMPETENT DIVISION OF R&D DEPARTMENT EXCEPT AS AUTHORIZED BY COMPAL ELECTRONICS, INC. NEITHER THIS SHEET NOR THE INFORMATION CONTAINED THEREIN IS TO BE REPRODUCED OR DISCLOSED TO ANY THIRD PARTY WITHOUT PRIOR WRITTEN CONSENT OF COMPAL ELECTRONICS, INC.					
Size	Document Number	Customer	Rev		
Date:	Tuesday, August 21, 2007	LA3262P_DIS_M64	Sheet	52	of 57

<http://laptop-motherboard-schematic.blogspot.com/>

Version Change List (P. I. R. List) for Power Circuit

Item	Page#	Title	Date	Request Owner	Issue Description	Solution Description	Cut in
1	43 44 50	DCIN/ BATTERY CONN Charger ADP_OCP	2006/09/07	HP R.L.	Change charger control from HW to FW	All the related components	DB1B
2	50	ADP_OCP	2006/10/12	HP R.L.	Identify 65W adapter as "light"	Change PR223 from 180K to 147K	DB2
3	51	VDD_CORE /PCIE_VDD	2006/10/12	HP R.L.	Change VGA chipset from ATI M62S to M64S	Change PR355 from 11K to 9.76K Change PR392 from 33.2K to 24.9K	DB2
4	52	+1.25VMP/ +1.05V_VCCP	2006/10/12	HW Tony J	For HW's requirement, fine tune +1.05V_VCCP sequence	Change PR249 from 0 to 47K Add PC186 as 47pF Install PD45	DB2
5	51	VDD_CORE /PCIE_VDD	2006/10/12	PWR Francis H	Fine tune PCIE_VDD	Change PR358 from 47K to 49.9K Change PR359 from 150K to 100K	DB2
6	51	VDD_CORE /PCIE_VDD	2006/11/08	HW Tony J	Fine tune the GPU "Power Play" sequence	Add PC196 as luf	SI
8	51	VDD_CORE /PCIE_VDD	2006/11/08	HW Tony J	Fine tune the power sequence of PCIE_VDD	Change PU31 pin5, 9 source from VDD_MEM18 to +1.8V	SI
9	44	Charger	2006/11/08	PWR Francis H	Base on "Energy STAR" spec, reduce S5 and S3 power consumption (AC mode)	Uninstall PQ11	SI
10	48	1.8V/0.9V	2006/11/08	HP	Add PM_SLP_M# sequence	Add PR387	SI
11	52	+1.25VMP/ +1.05V_VCCP	2006/11/20	HW Tony J	For HW's requirement, fine tune +2.5VS sequence	Change PR243 to 47K, Change PC170 to 0.1uF	SI
12	52	+1.25VMP/ +1.05V_VCCP	2007/2/28	HW Tony J	Fine tune the +2.5VS power level to 2.57V (typ)	Change PR244 from 13K to 13.7K	SI2
13	50	ADP_OCP	2007/2/28	HP R.L.	System identity	Change PR223 from 147K to 137K	SI2
14	44	Charger	2007/3/1	PWR Francis H	Reserve circuit for testing Energy STAR	Reserve PR397, PR398, PR399 and PQ131 Add PR396 as 0 ohm.	PV
15	51	VDD_CORE /PCIE_VDD	2007/3/1	PWR Francis H	MOSFET change for M64s (original design is for M72)	Change PQ78 from IRF7413Z to AO4468 Change PQ79 from IRF8113 to AO4712 Change PR353 from 6.81K to 19.6K	PV
16	50	ADP_OCP	2007/4/12	HP R.L.	Fine tune system OCP setting for battery spec	Change PR210 from 422 to 215 Change PC129 from .22u to .027u Change PR203 from 604K to 200K Change PC131 from .027u to .01u	MV
17	44 46 47 48 51 52	Charger 3.3V/5V 1.5VS/1.25VM +1.25VMP/ 1.8V/0.9V VDD_CORE /PCIE_VDD +1.25VMP/ +1.05V_VCCP	2007/7/30	HP R.L.	Change some MLCCs size from 1206 to 0805	1. Change PC14 from 10u_1206 to 4.7u_0805 Add PC198 as 4.7u_0805 2. Change PC89 from 10u_1206 to 4.7u_0805 Add PC199 as 4.7u_0805 3. Change PC15, PC19, PC42 and PC58 from 4.7u_1206 to 4.7u_0805 4. Change PC79, PC141, PC162 and PC197 from 22u_1206 to 22u_0805 5. Change PC134, PC135 and PC138 from 10u_1206 to 10u_0805	MP
18	44	Charger	2007/7/30	TI	For TI's suggestion, add 4.7u at VCC pin	Add PC200 as 4.7u_0805	MP

<2006.09.11>

<2006.10.14>

<2006.11.20>

Item	Fixed Issue	Reason for change	PAGE	Modify List	M.B. Ver.
1		Dseign issue (Lost VRAM RST pin)	20, 22	Add DRAM_RST# from VGA to VRAM	0.2
2		Dseign issue (LVDS channel error)	19	Swapped LVDS upper and lower channel	0.2
3		Dseign issue (HSYNC & VSYNC error)	19	Swapped VSYNC & HSYNC each other	0.2
4		isolate ESD to CPU core via USB and 1394 conn's pin	34	Add R4, R73 and R56	0.2
5		Follow ATI design suggestion for VDDR4, VDDR5	21	change and reserve two jopens for +1.8VS and +3VS power rails	0.2
6		Follow ATI design suggestion for DPLL_VDDC	21	delete R1892	0.2
7		follow ATI power sequence	40	Add +1.25VS, +3VS, +5VS and VDD_MEM18 delay circuits.	0.2
1		RGB signal EA failed and CRT display garbage	16, 19	Change CRT circuit from MAX9511 to RLC circuit.	0.3
2		RGB signal EA failed and CRT display garbage	39	Change CRT circuit from MAX9511 to RLC circuit. Add Q/Switch circuit.	0.3
3		follow ATI power sequence	21	install R1898 aand C1605, uninstall R1897	0.3
4		Increase VDD_MEM18 via holes	23	VDD_MEM18 no power noise, remove 1206 size resister.	0.3
5		Cancel Kill switch function on Chimay	28	uninstall JP53, R1906, R1736 and Q136	0.3
6		change 1394 bus route on board	31	re-define JP13 pins' assignment	0.3
7		implement one 4MB SPI chip	36	add R1794, R1795, R1924	0.3
8		implement 30pins KBC connector	38	re-define KBC connector JP6 pins assignment	0.3
1		HP request, support Penryn CPU	4	Add R23, R34	0.4
2		For Intel ES2 Crestline thermtrip pin.	7	Add R2	0.4
3		For EMI request enable 27MHz_SSC	15	install R1687	0.4
4		For Intel ES2 NB 800/667M Hz issue	15	Add CLRP4, CLRP5 to select FSB speed.	0.4
5		For RTC Accuracy fail to change	25	Change C528, C516 to 15pf	0.4
6		For detect CPU and system power saving	26	Add some components	0.4
7		Solve auto-turn on	26	install R1590 pull up to +3valw, uninstall R1727	0.4
8		Enable ACBS (power management for NIC)	29	install Q102, uninstall R1612, Q104, Q105	0.4
9		Enable ACBS (power management for NIC)	30	Change R1639 value to 1.87k	0.4

Security Classification		Compal Secret Data		Title	
Issued Date	2006/09/25	Deciphered Date	2006/09/25	HW PIR	
<small>THIS SHEET OF ENGINEERING DRAWING IS THE PROPRIETARY PROPERTY OF COMPAL ELECTRONICS, INC. AND CONTAINS CONFIDENTIAL AND TRADE SECRET INFORMATION. THIS SHEET MAY NOT BE TRANSFERRED FROM THE CUSTODY OF THE COMPETENT DIVISION OF R&D DEPARTMENT ENGINEERS WITHIN COMPAL ELECTRONICS, INC. NEITHER THIS SHEET NOR THE INFORMATION IT CONTAINS MAY BE USED BY OR DISCLOSED TO ANY THIRD PARTY WITHOUT PRIOR WRITTEN CONSENT OF COMPAL ELECTRONICS, INC.</small>				Size	Document Number
				1A	LA3262P_DIS_M64
				Date:	Tuesday, August 21, 2007
				Sheet	54 of 57

<http://laptop-motherboard-schematic.blogspot.com/>

<2006.11.20>

<2007.01.25>

Item	Fixed Issue	Reason for change	PAGE	Modify List	M.B. Ver.
10		Add Energy Star for CPU schematics	41	reserve R1931, R1934, R1933, C1622, U88, U90, R43, R46, R52, R53, C1623, D80	0.4
11		Enable ACBS (power management for NIC)	41	Change R1732 pin2 from +3VM_Lan to +3VM	0.4
12		HP request	38	MDC power change to +3vs	0.4
13		Follow ATI power sequence	40	Install D77, C1617, change R1919 to 10K	0.4
1		For HP request	40	Add R1940 and pull up +3valw	0.5
2		For 3VL/VCC1_PWRGD glitch change	41	Add U5C and R1939 pull down	0.5
3		For KBC VCC2 connection to 3VS	37	install R1646, C75	0.5
4		For HP request	25	Add Q144 and R1935 instead of D75	0.5
5		For HP request to install BGA CRACK components	27 12		0.5
6		For solving Power wireset interfere Fan	38	change JP20 connector Footprint	0.5
7		For Intel Crestline thermtrip shutdown	7	Reserve 0.1uf *1 for THERMTRIP#	0.5
8		For possible Leak during ACBS on PREP# signal	26	Change pull up to +3valw	0.5
9		For HP request to change Line-in BOM	32	R370, R369 change to 6.04k, R374, R375 change to 2.00k	0.5
10		For SIM connector supply chain	31	SIM connector footprint change	0.5
11		For LMV331 supply chain, change to LMV393	41	change U76 & U86 to U91	0.5
12		For EMI changes for VGA CRT	16	Install C310,C313,C314,R542,R543,R544	0.5
13		For EMI changes for LED_LAN_DOCK	33	Add R1805,R1806	0.5
14		For HP request, change R1780.1 to UIM_PWR	31	change R1780.1 to UIM_PWR	0.5
15		For Intel NIC crystal design	29	Add R1936 30ohm value	0.5
16		For G-Sensor LED	26	HDD_HALTLED (R15) pull down	0.5
17		For Intel new design	26	Remove pull ups for STP_PCI# and STP_CPU# uninstall R1581, R1580	0.5
18		For HP request	36	Add CLRP6 for SPI ROM	0.5
19		For VGA wavy isse	17	Change C586 to 10uf_1206, add C1629 10uf_1206	0.5

Security Classification		Compal Secret Data		Title	
Issued Date	2006/09/25	Deciphered Date	2006/09/25	HW PIR	
<small>THIS SHEET OF ENGINEERING DRAWING IS THE PROPRIETARY PROPERTY OF COMPAL ELECTRONICS, INC. AND CONTAINS CONFIDENTIAL AND TRADE SECRET INFORMATION. THIS SHEET MAY NOT BE TRANSFERRED FROM THE CUSTODY OF THE COMPETENT DIVISION OF R&D DEPARTMENT ENGINEERS WITHIN COMPAL ELECTRONICS, INC. NEITHER THIS SHEET NOR THE INFORMATION IT CONTAINS MAY BE USED BY OR DISCLOSED TO ANY THIRD PARTY WITHOUT PRIOR WRITTEN CONSENT OF COMPAL ELECTRONICS, INC.</small>				Size	Document Number
				1A	LA3262P_DIS_M64
				Date:	Tuesday, August 21, 2007
				Sheet	55 of 57

<http://laptop-motherboard-schematic.blogspot.com/>

<2007.02.14>

Item	Fixed Issue	Reason for change	PAGE	Modify List	M.B. Ver.
1		Add FP power supply circuit for Vista	41	reserve R1931, R1934, R1933, C1622, U88, U90, R43, R46, R52, R53, C1623, D80	0.4
2		Enable ACBS (power management for NIC)	41	Change R1732 pin2 from +3VM_Lan to +3VM	0.4
3		HP request	38	MDC power change to +3vs	0.4
4		Follow ATI power sequence	40	Install D77, C1617, change R1919 to 10K	0.4
5		For HP request	40	Add R1940 and pull up +3valw	0.5
6		For 3VL/VCC1_PWRGD glitch change	41	Add U5C and R1939 pull down	0.5
7		For KBC VCC2 connection to 3VS	37	install R1646, C75	0.5
8		For HP request	25	Add Q144 and R1935 instead of D75	0.5
		For HP request to install BGA CRACK components	27 12		0.5
		For solving Power wireset interfere Fan	38	change JP20 connector Footprint	0.5
		For Intel Crestline thermtrip shutdown	7	Reserve 0.1uf *1 for THERMTRIP#	0.5
		For possible Leak during ACBS on PREP# signal	26	Change pull up to +3valw	0.5
9		For HP request to change Line-in BOM	32	R370, R369 change to 6.04k, R374, R375 change to 2.00k	0.5
10		For SIM connector supply chain	31	SIM connector footprint change	0.5
11		For LMV331 supply chain, change to LMV393	41	change U76 & U86 to U91	0.5
12		For EMI changes for VGA CRT	16	Install C310,C313,C314,R542,R543,R544	0.5
13		For EMI changes for LED_LAN_DOCK	33	Add R1805,R1806	0.5
14		For HP request, change R1780.1 to UIM_PWR	31	change R1780.1 to UIM_PWR	0.5
15		For Intel NIC crystal design	29	Add R1936 30ohm value	0.5
16		For G-Sensor LED	26	HDD_HALTLED (R15) pull down	0.5
17		For Intel new design	26	Remove pull ups for STP_PCI# and STP_CPU# uninstall R1581, R1580	0.5
18		For HP request	36	Add CLRP6 for SPI ROM	0.5
19		For VGA wavy isse	17	Change C586 to 10uf_1206, add C1629 10uf_1206	0.5

Security Classification		Compal Secret Data		Title	
Issued Date	2006/09/25	Deciphered Date	2006/09/25	HW PIR	
<small>THIS SHEET OF ENGINEERING DRAWING IS THE PROPRIETARY PROPERTY OF COMPAL ELECTRONICS, INC. AND CONTAINS CONFIDENTIAL AND TRADE SECRET INFORMATION. THIS SHEET MAY NOT BE TRANSFERRED FROM THE CUSTODY OF THE COMPETENT DIVISION OF R&D DEPARTMENT ENGINEERS WITHOUT THE WRITTEN CONSENT OF COMPAL ELECTRONICS, INC. NEITHER THIS SHEET NOR THE INFORMATION IT CONTAINS MAY BE USED BY OR DISCLOSED TO ANY THIRD PARTY WITHOUT THE WRITTEN CONSENT OF COMPAL ELECTRONICS, INC.</small>				Size	Document Number
				1A	LA3262P_DIS_M64
				Date:	Tuesday, August 21, 2007
				Sheet	56 of 57

<http://laptop-motherboard-schematic.blogspot.com/>

<2007.08.02>

Item	Fixed Issue	Reason for change	PAGE	Modify List	M.B. Ver.
1		Solve VGA can not thermal shutdown and KB dissolve	4	Add R229 (non-install) and contact to THERM#_VGA	1A
2		prevent Cap crack to change Cap size	17	C1629 & C586 size change from 1206 to 0805	1A
3		Solve VGA can not thermal shutdown and KB dissolve	23	Add R1906 (non-install) and R1896 install Add Q30 & Q31	1A
4		Prevent GPIO33 leakage	25	Change Q144 to CHP202U_SC70	1A
5					
6					
7					
8					
9					
10					
11					
12					
13					
14					
15					
16					
17					
18					
19					

Security Classification		Compal Secret Data		Title	
Issued Date	2006/09/25	Deciphered Date	2006/09/25	HW PIR	
<small>THIS SHEET OF ENGINEERING DRAWING IS THE PROPRIETARY PROPERTY OF COMPAL ELECTRONICS, INC. AND CONTAINS CONFIDENTIAL AND TRADE SECRET INFORMATION. THIS SHEET MAY NOT BE TRANSFERRED FROM THE CUSTODY OF THE COMPETENT DIVISION OF R&D DEPARTMENT ENGINEERS AUTHORIZED BY COMPAL ELECTRONICS, INC. NEITHER THIS SHEET NOR THE INFORMATION IT CONTAINS MAY BE USED BY OR DISCLOSED TO ANY THIRD PARTY WITHOUT PRIOR WRITTEN CONSENT OF COMPAL ELECTRONICS, INC.</small>				Size	Document Number
				1A	LA3262P_DIS_M64
				Date:	Tuesday, August 21, 2007
				Sheet	57 of 57

<http://laptop-motherboard-schematic.blogspot.com/>