

# HANGZHOU 1.0

## MV\_BUILD

2008.06.19

DATE	CHANGE NO.	REV

DRAWER	EE	DATE	POWER	DATE	INVENTEC			
DESIGN					TITLE			
CHECK					Hangzhou			
RESPONSIBLE					SIZE	CODE	DOC. NUMBER	REV
					D	CS	1310A2200001-0	A02
FILE NAME: XXXX-XXXX-XXXX							SHEET	1 OF 56
P/N	XXXXXXXXXXXX							

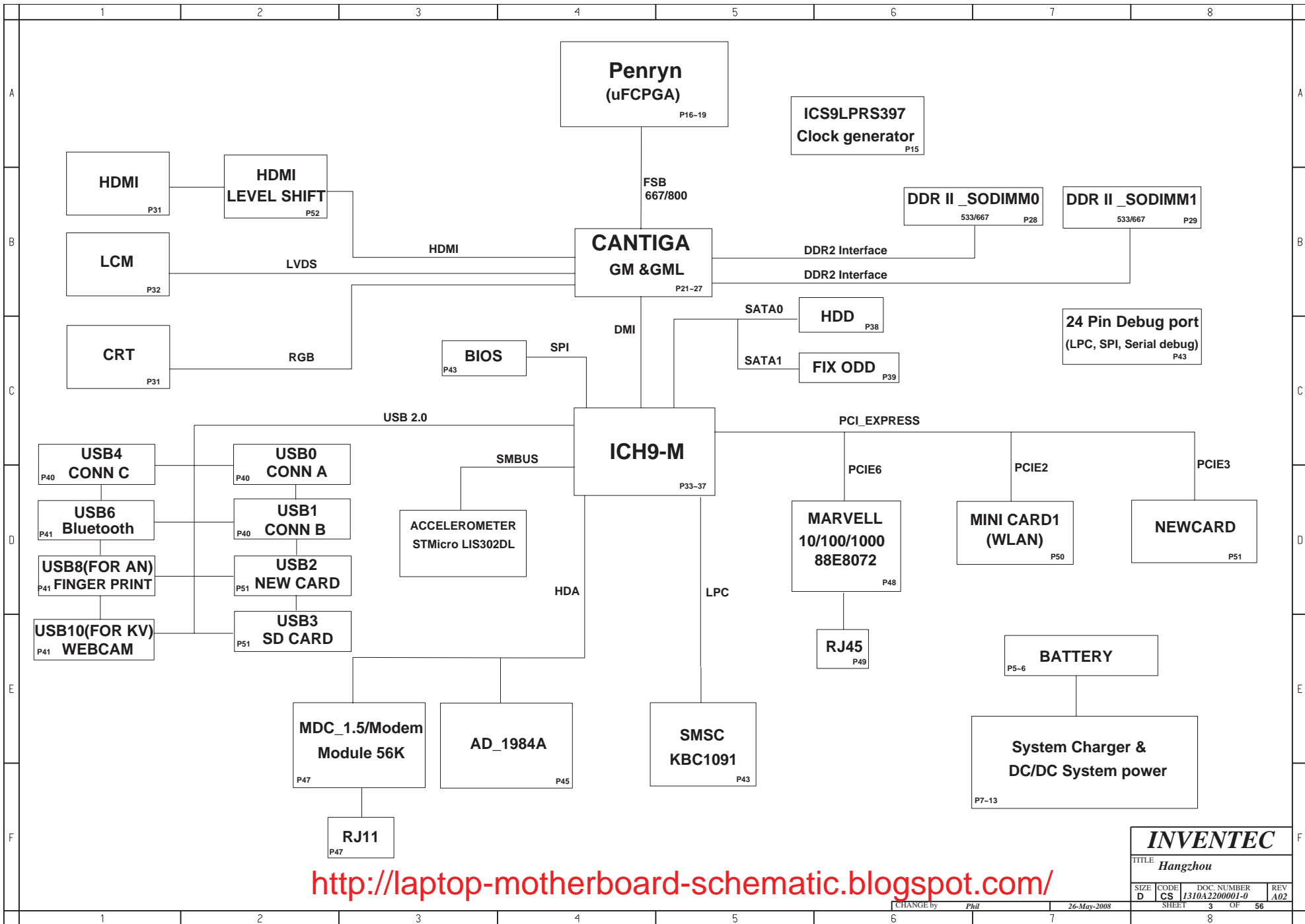
<http://laptop-motherboard-schematic.blogspot.com/>

**TABLE OF CONTENTS**

<b>PAGE</b>	<b>PAGE</b>	<b>PAGE</b>
5- DC& BATTERY CHARGER	15- CLOCK_GENERATOR	38- HDD CONN
6- SELECT & BATTERY CONN	16- PENRYN-1	39- ODD CONN
7- SYSTEM POWER(3V/5V)	17- PENRYN-2	40- USB
8- SYSTEM POWER(+V1.8/+VCCP)	18- PENRYN-3	41- FINGER PRINT&BlueTooth
9- GRAPHIC POWER(+VGFX_CORE)	19- PENRYN-4	42- SPI/HDD PROTECTION
10- SYSTEM POWER(/+V1.5S)	20- THERMAL&FAN CONTROLLER	43- KBC 1091
11- CPU POWER(VCC_CORE)	21- CANTIGA-1	44- INT.KBC/POINT DEVICES
12- DDR TERMINATION VOLTAGE	22- CANTIGA-2	45- CODEC(1984A)
13- POWER(SLEEP)	23- CANTIGA-3-HOST	46- MIC JACK
14- POWER(SEQUENCE)	24- CANTIGA-4-DDR2	47- MDC/Audio AMP
	25- CANTIGA-5-POWER	48- LAN INTERFACE
	26- CANTIGA-6-POWER	49- LAN RJ45 CONN
	27- CANTIGA-7-POWER	50- MINI CARD(WLAN)
	28- DDR2-DIMM0	51- NEW CARD & SD CARD
	29- DDR2-DIMM1	52- HDMI LEVEL SHIFT
	30- DDR2-DAMPING	53- Button&Switch&LED
	31- CRT& HDMI CONN	54- SCREW & CRACK
	32- LCD CONN	55- LED board
	33- ICH9-1	56- Finger Print board
	34- ICH9-2	
	35- ICH9-3	
	36- ICH9-4	
	37- ICH9-5	

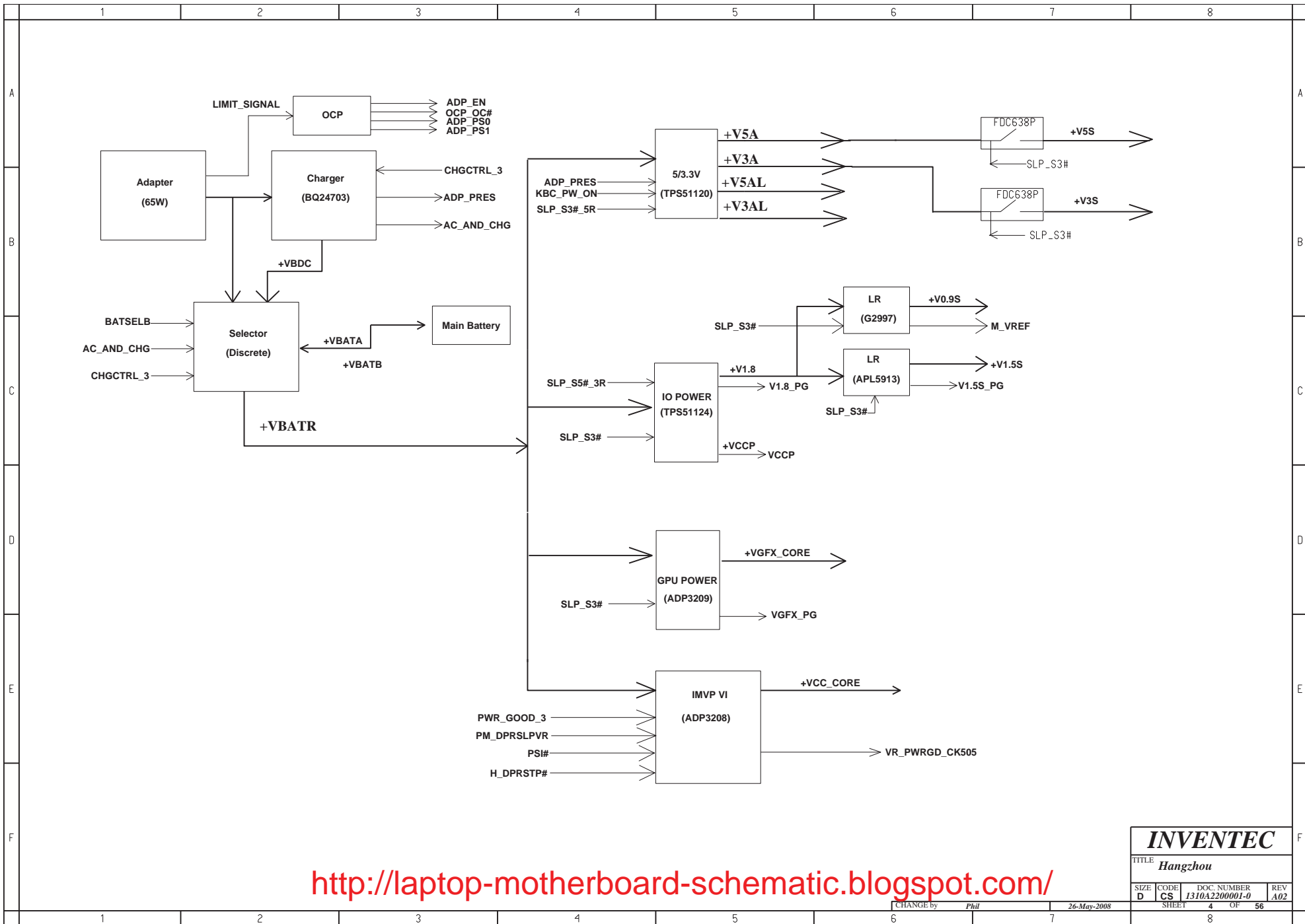
<http://laptop-motherboard-schematic.blogspot.com/>

<b>INVENTEC</b>			
TITLE <i>Hangzhou</i>			
SIZE D	CODE CS	DOC. NUMBER 1310A2200001-0	REV A02
CHANGE by <i>Phil</i>		26-May-2008	
SHEET		2	OF 56



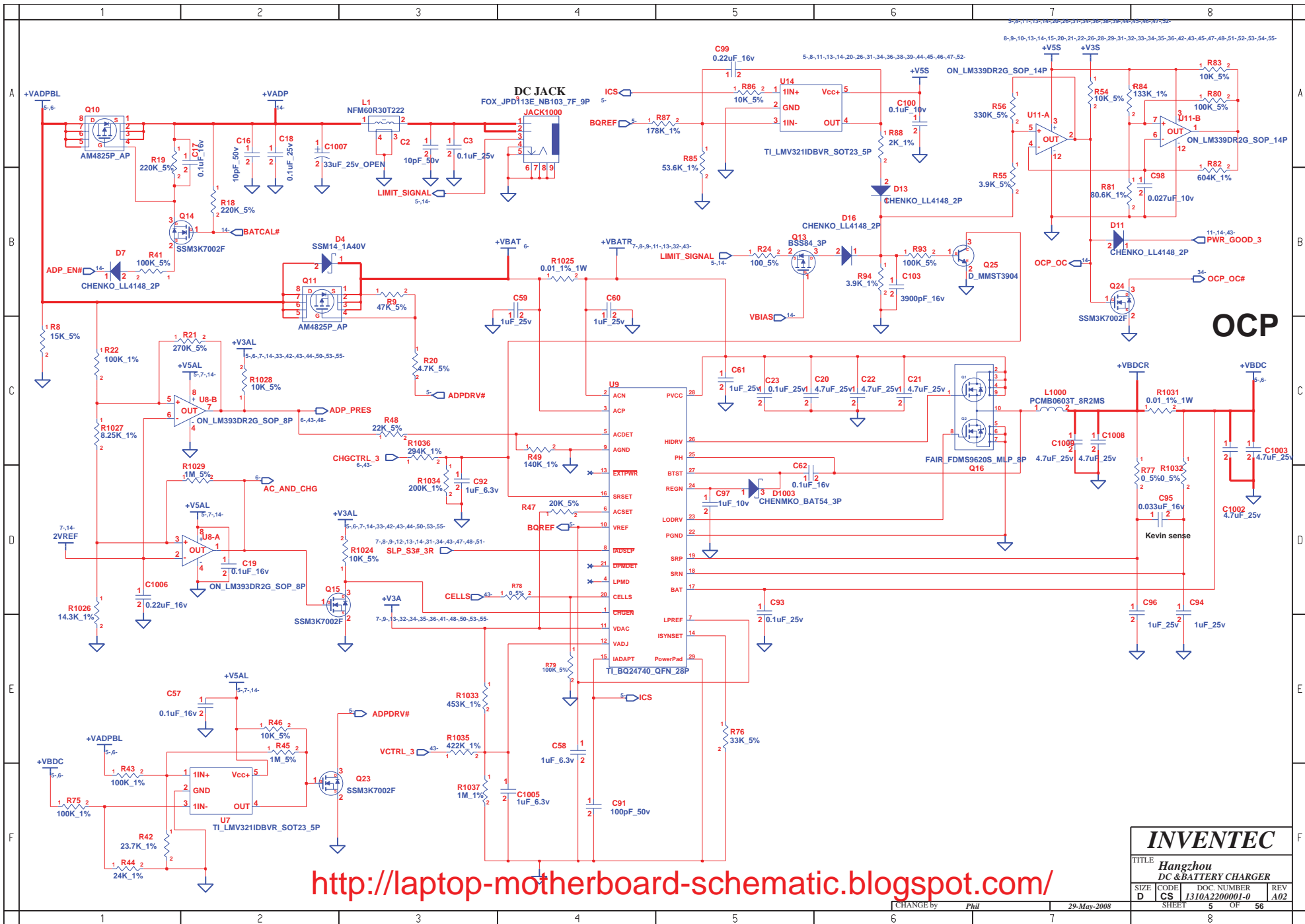
<http://laptop-motherboard-schematic.blogspot.com/>

<b>INVENTEC</b>			
TITLE <i>Hangzhou</i>			
SIZE D	CODE CS	DOC. NUMBER 1310A2200001-0	REV A02
CHANGE by <i>Phil</i>		26-May-2008	
SHEET 3		OF 56	



<http://laptop-motherboard-schematic.blogspot.com/>

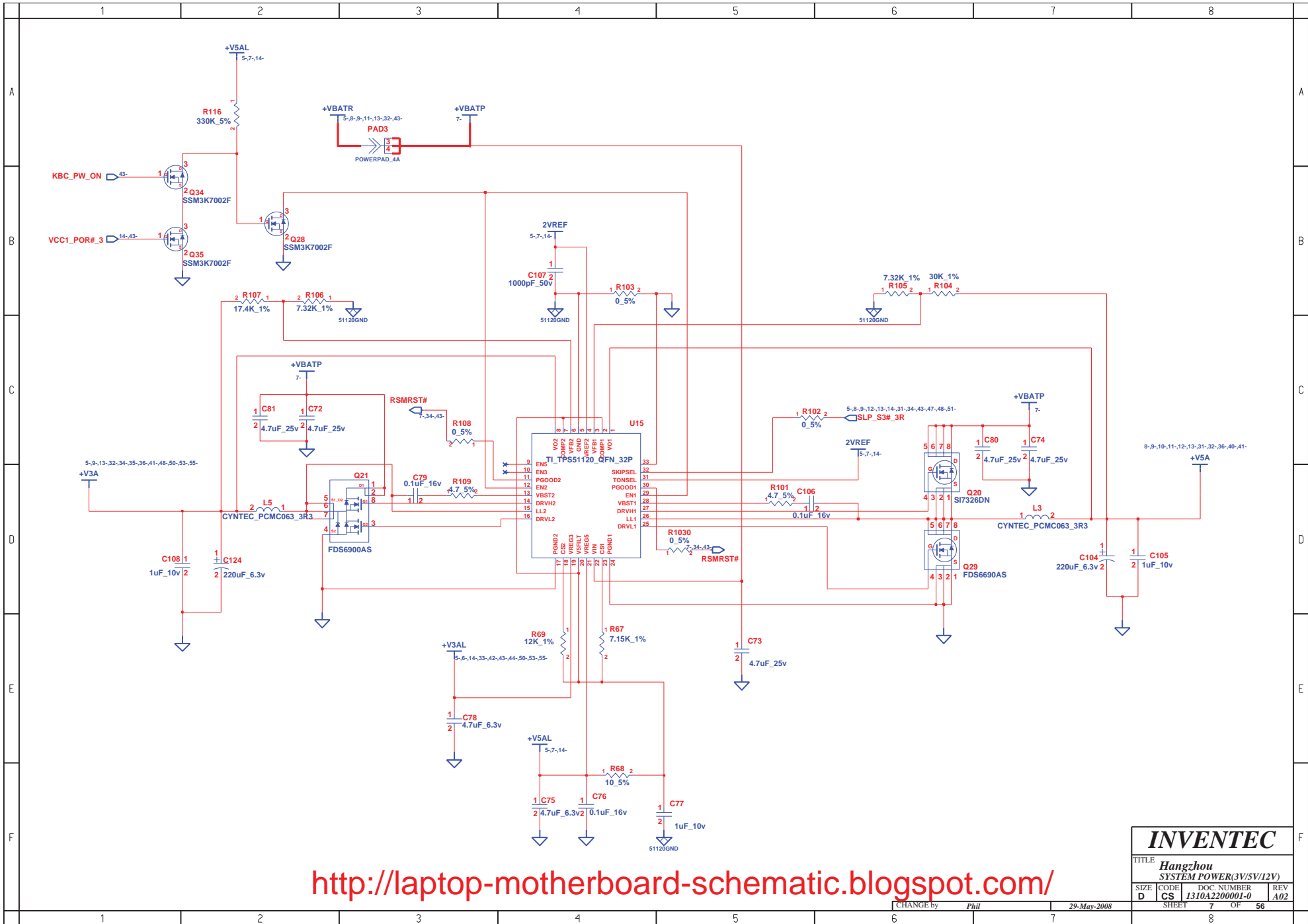
<b>INVENTEC</b>			
TITLE <i>Hangzhou</i>			
SIZE D	CODE CS	DOC. NUMBER 1310A2200001-0	REV A02
CHANGE by Phil		26-May-2008	
SHEET 4		OF 56	



<http://laptop-motherboard-schematic.blogspot.com/>

<b>INVENTEC</b>			
TITLE Hangzhou DC & BATTERY CHARGER			
SIZE	CODE	DOC NUMBER	REV
D	CS	I310A2200001-0	A02
CHANGE by		29-May-2008	
SHEET		5	OF 56



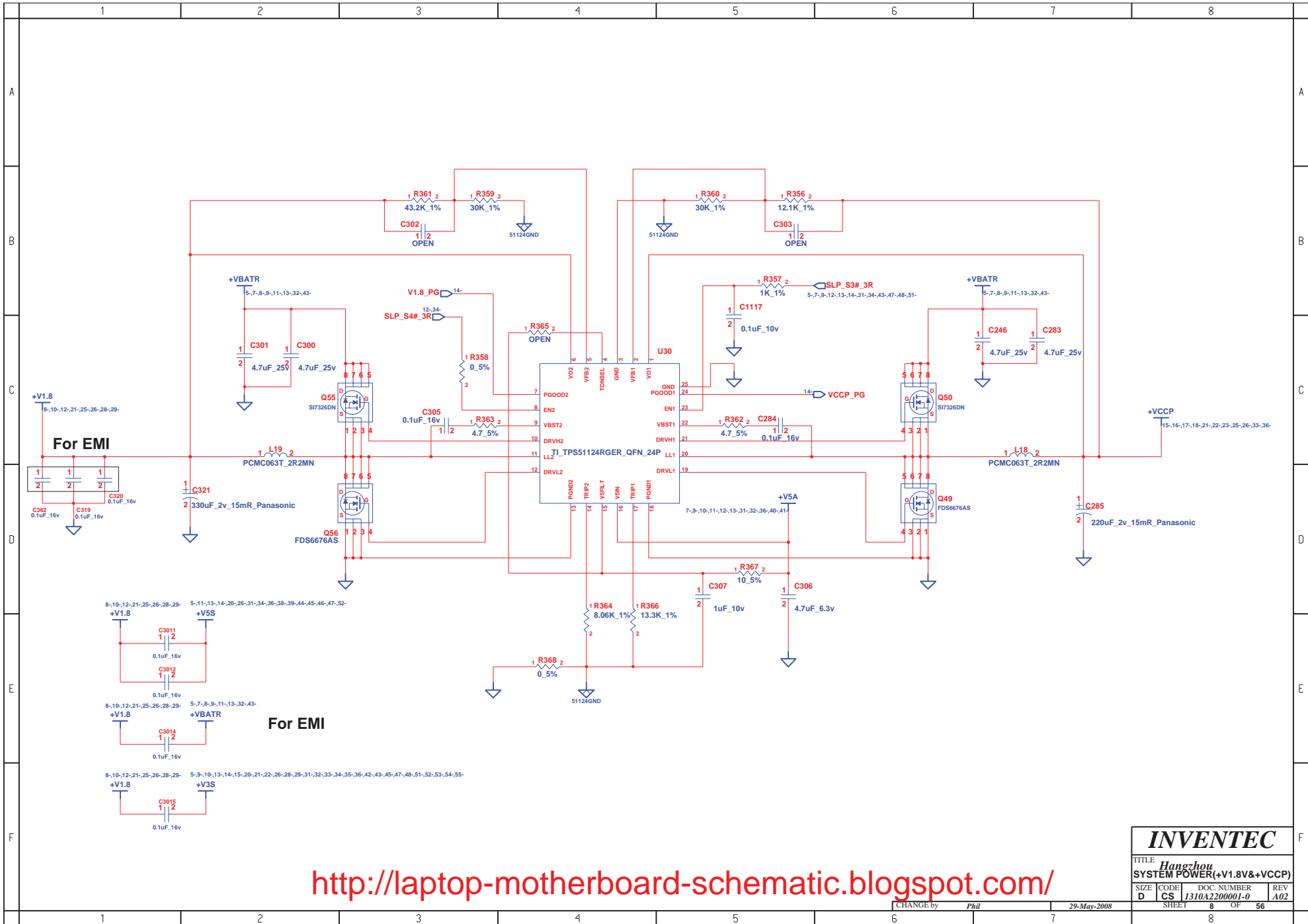


<http://laptop-motherboard-schematic.blogspot.com/>

**INVENTEC**

TITLE  
Hangzhou  
SYSTEM POWER(3V/5V/12V)

SIZE D	CODE CS	DOC NUMBER 1310A2200001-0	REV A02
-----------	------------	------------------------------	------------



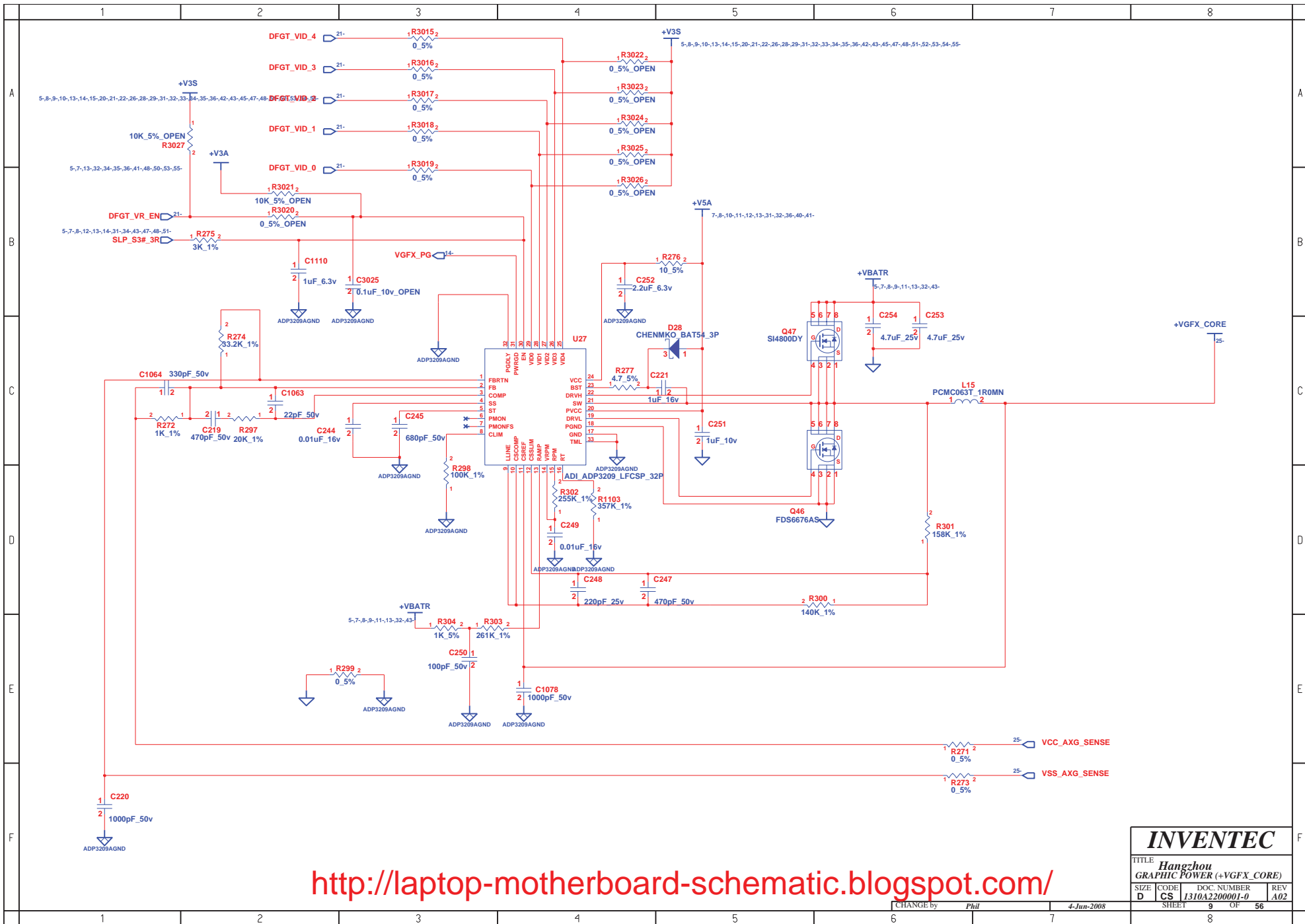
<http://laptop-motherboard-schematic.blogspot.com/>

**INVENTEC**

TITLE			
Hangzhou SYSTEM POWER(+V1.8V/+VCCP)			
SIZE	CODE	DOC. NUMBER	REV
D	CS	1310A2200001-0	A02

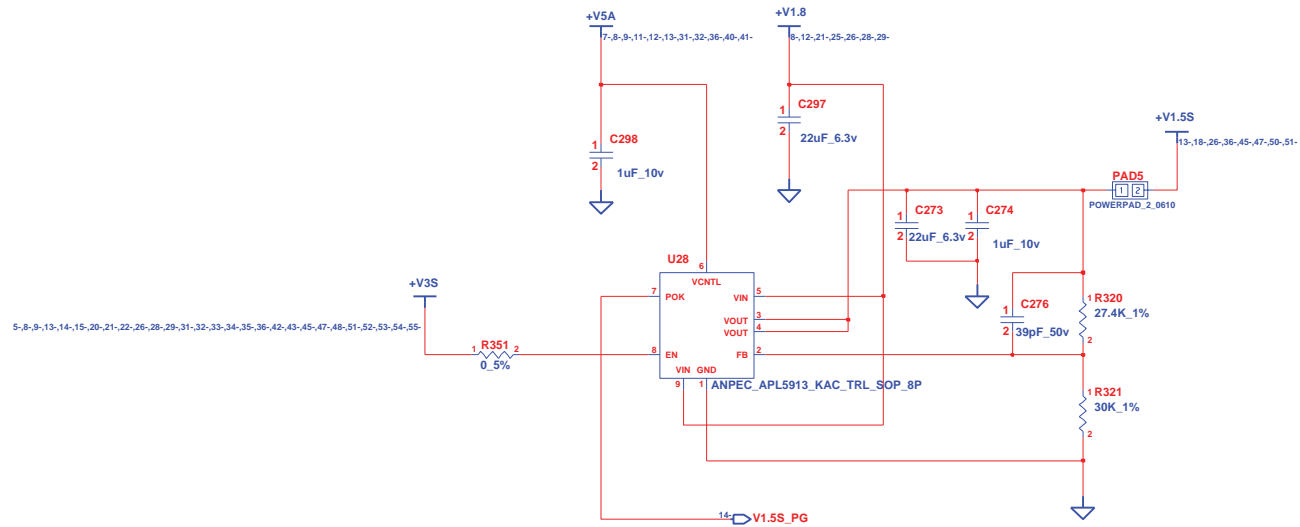
CHANGE by	Phil	29-May-2008	SHEET	8	OF	56
-----------	------	-------------	-------	---	----	----





<http://laptop-motherboard-schematic.blogspot.com/>

<b>INVENTEC</b>			
TITLE <b>Hangzhou GRAPHIC POWER (+VGFX_CORE)</b>			
SIZE <b>D</b>	CODE <b>CS</b>	DOC. NUMBER <b>1310A2200001-0</b>	REV <b>A02</b>
CHANGE by <i>Phil</i>		DATE <b>4-Jun-2008</b>	SHEET <b>9</b> OF <b>56</b>



<http://laptop-motherboard-schematic.blogspot.com/>

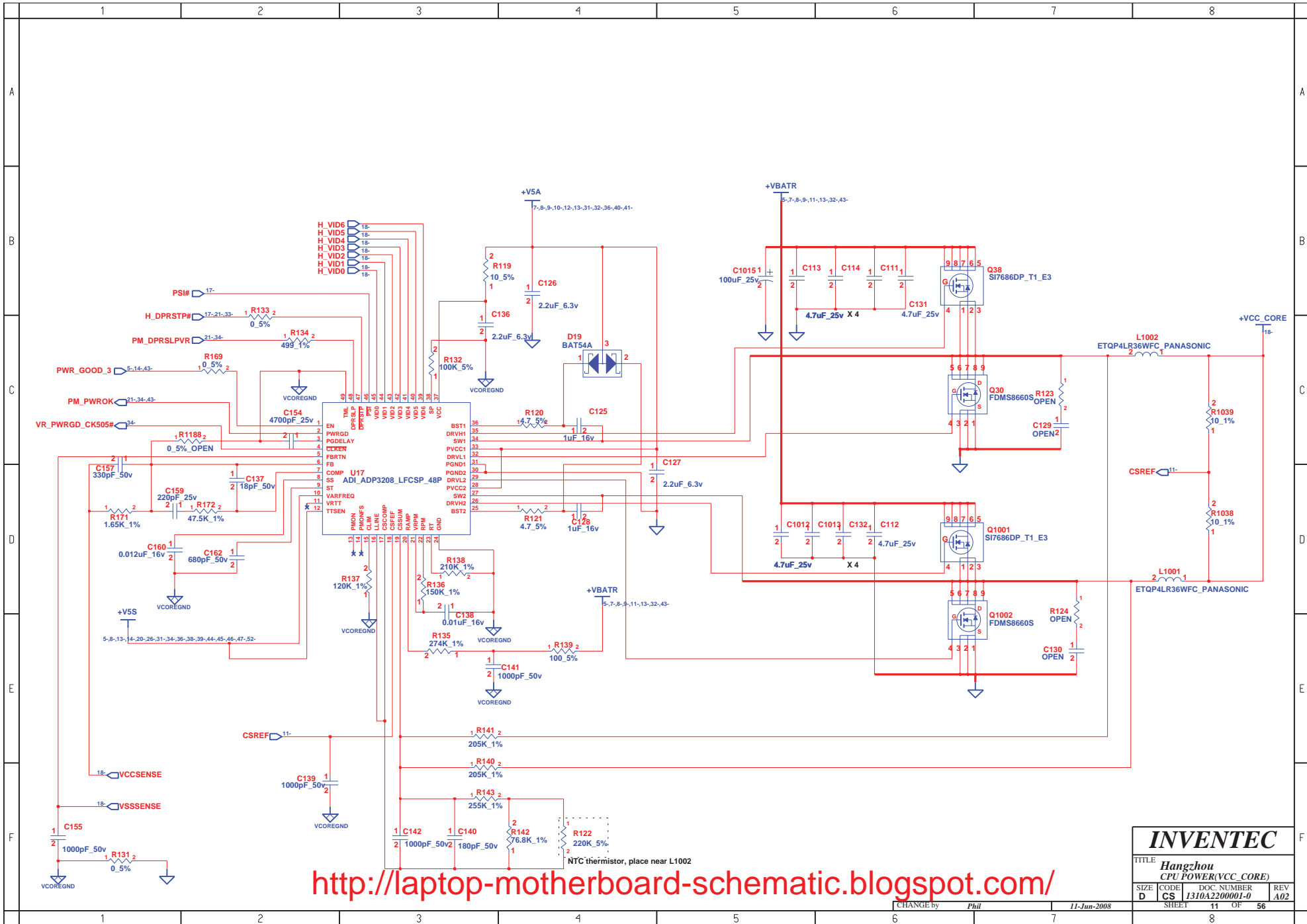
**INVENTEC**

TITLE  
Hangzhou  
SYSTEM POWER(+V1.5S)

SIZE D	CODE CS	DOC. NUMBER 1310A2200001-0	REV A02
-----------	------------	-------------------------------	------------

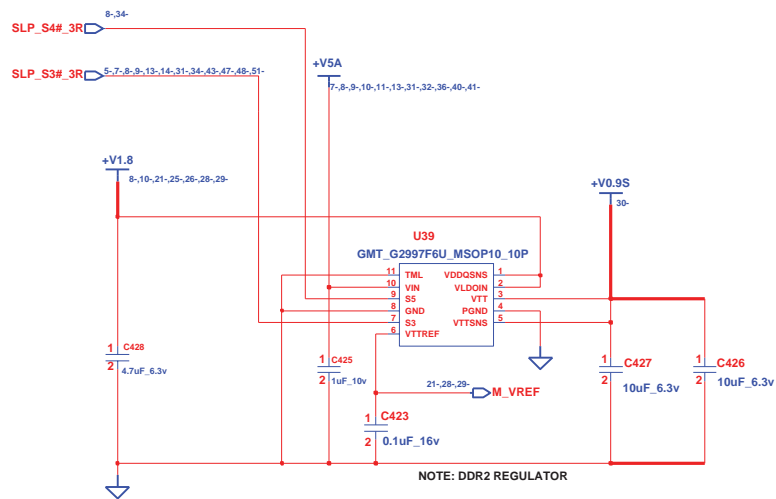
CHANGE by Phil 26-May-2008

SHEET 10 OF 56



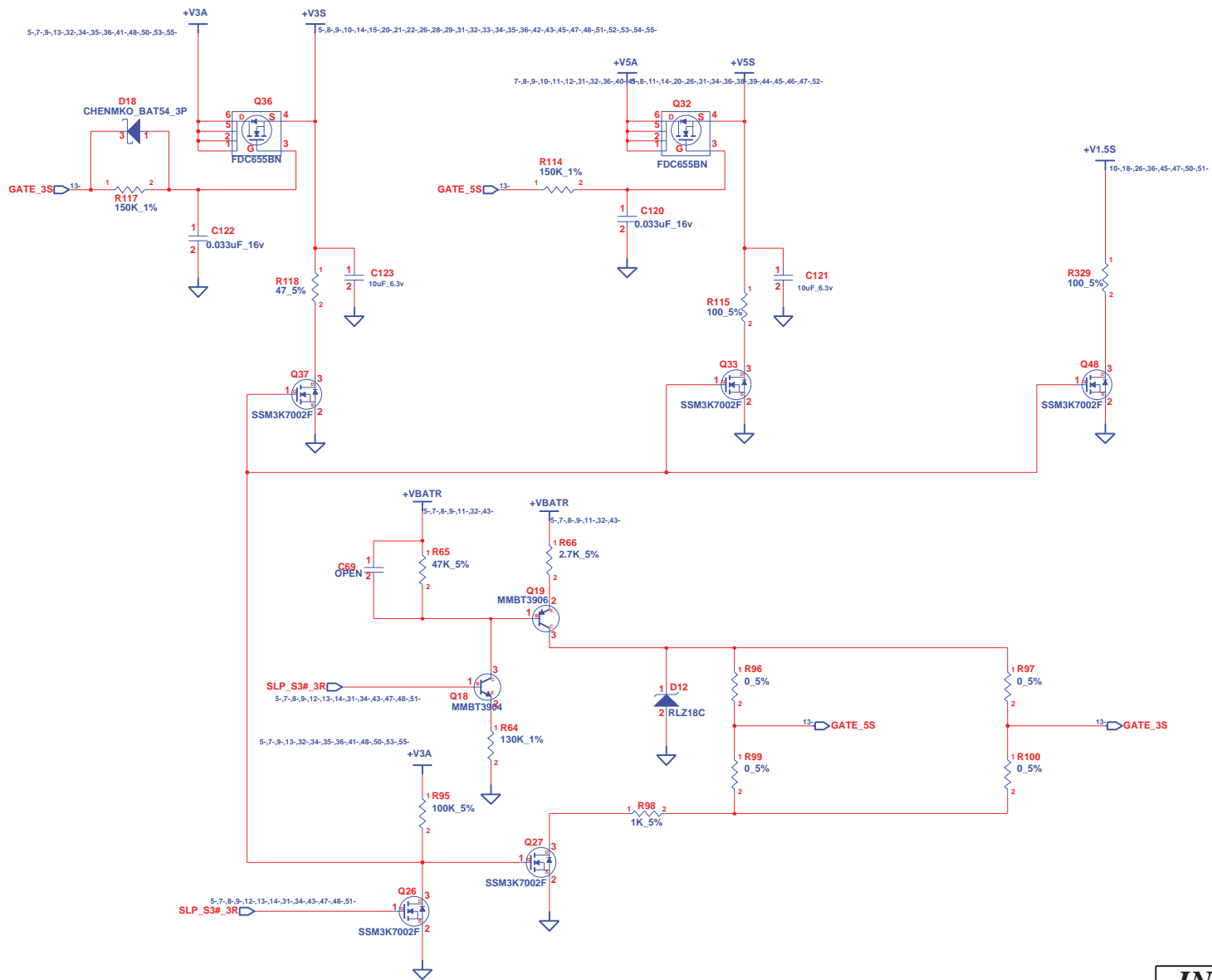
<http://laptop-motherboard-schematic.blogspot.com/>

<b>INVENTEC</b>			
TITLE Hangzhou CPU POWER(VCC_CORE)			
SIZE D	CODE CS	DOC NUMBER I310A2200001-0	REV A02
CHANGE by Phil		11-Jun-2008	
SHEET 11		OF 56	



<http://laptop-motherboard-schematic.blogspot.com/>

<b>INVENTEC</b>			
TITLE <b>Hangzhou</b> <b>DDR TERMINATION VOLTAGE</b>			
SIZE	CODE	DOC NUMBER	REV
D	CS	1310A2200001-0	A02
CHANGE by <i>Phil</i>		26-May-2008	SHEET 12 OF 56

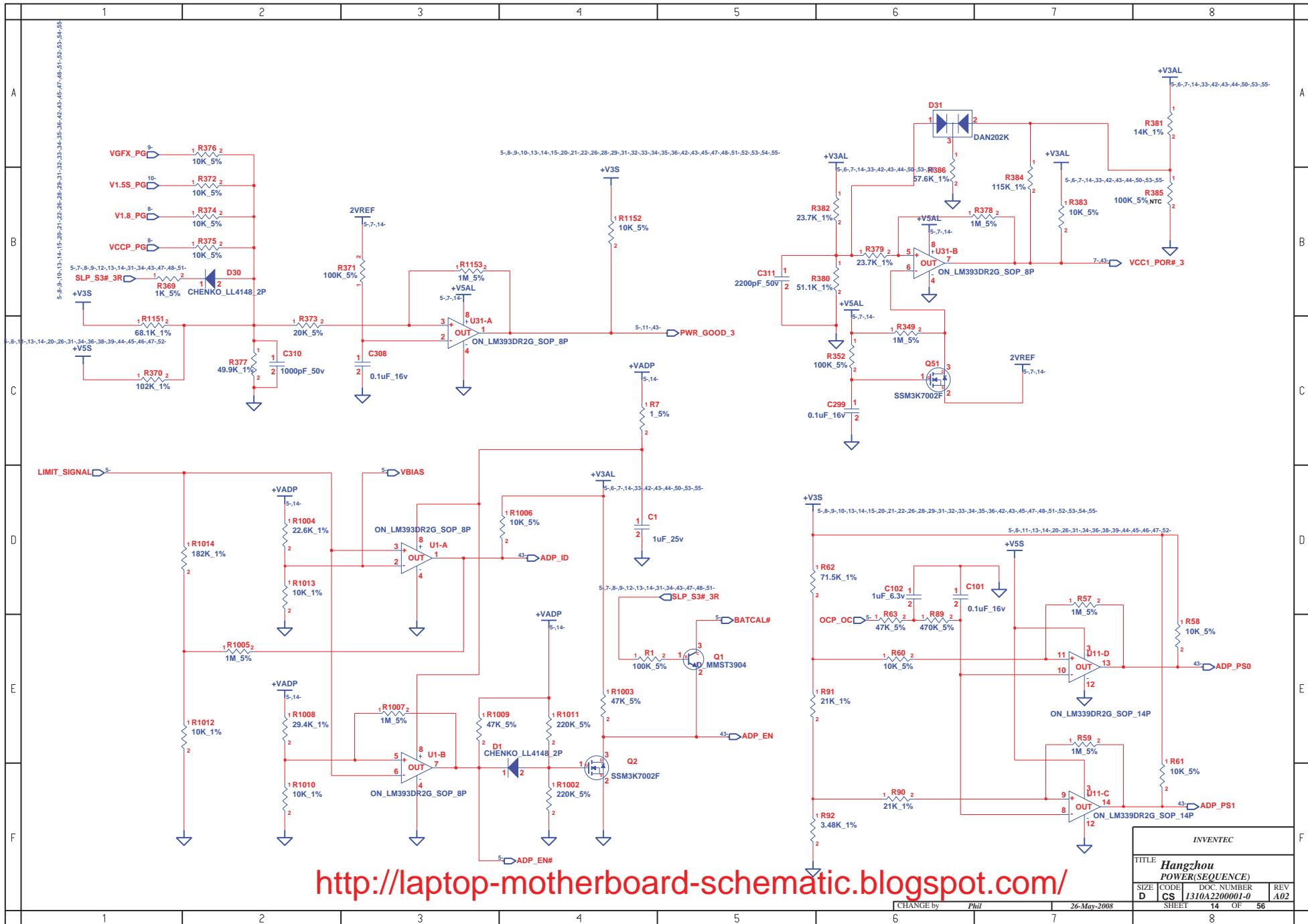


<http://laptop-motherboard-schematic.blogspot.com/>

**INVENTEC**

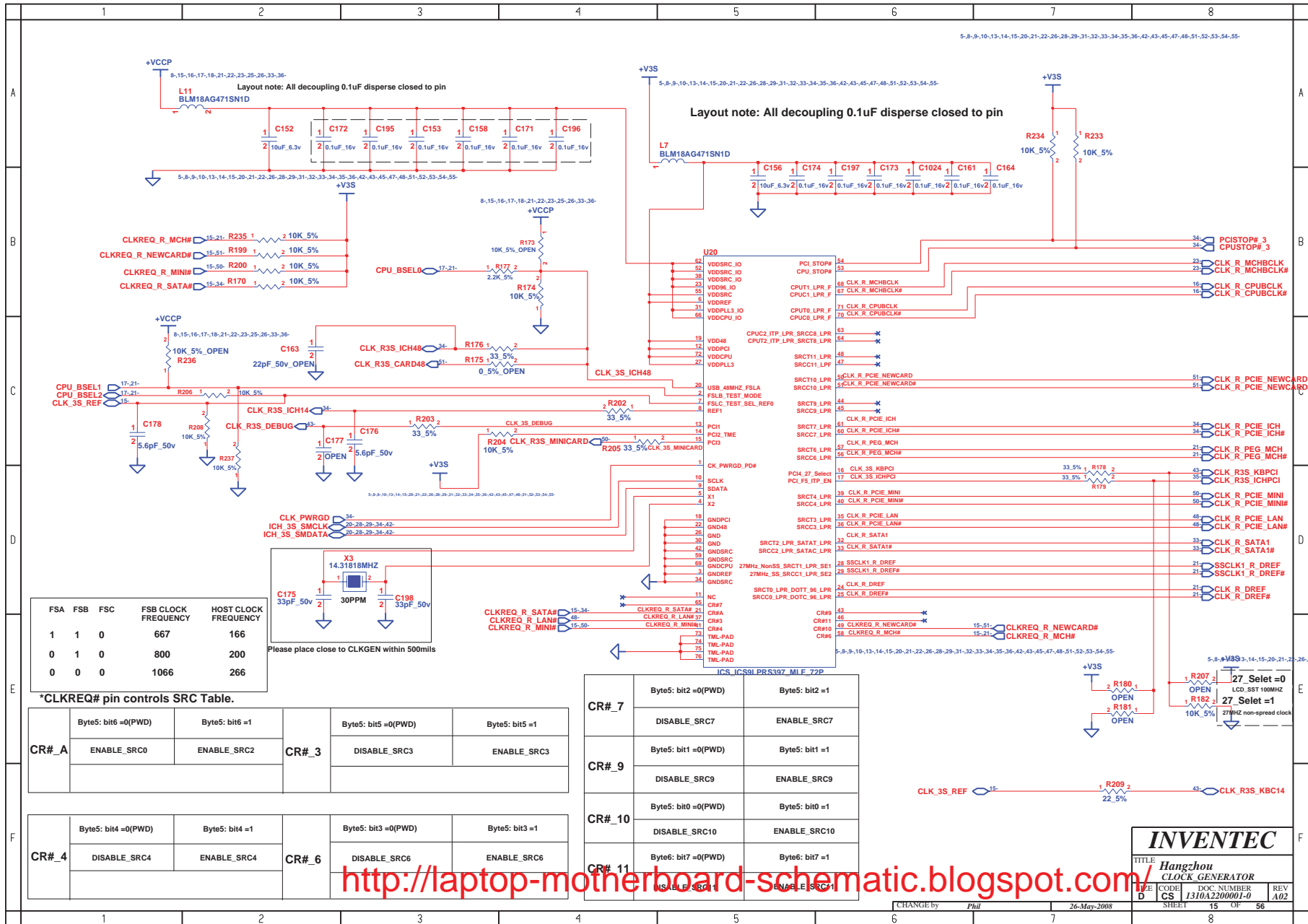
TITLE		
Hangzhou POWER(SLEEP)		
SIZE	CODE	DOC. NUMBER
D	CS	I310A2200001-0
SHEET		REV
13		A02
OF		56

CHANGE by Phil 26-May-2008



<http://laptop-motherboard-schematic.blogspot.com/>

INVENTEC			
TITLE <b>Hangzhou POWER(SEQUENCE)</b>			
SIZE D	CODE CS	DOC. NUMBER 1310A2200001-0	REV A02
CHANGE by Phil		26-May-2008	
SHEET 14		OF 56	



FSA	FSB	FSC	FSB CLOCK FREQUENCY	HOST CLOCK FREQUENCY
1	1	0	667	166
0	1	0	800	200
0	0	0	1066	266

\*CLKREQ# pin controls SRC Table.

CR#_A	Byte5: bit6 =0(PWD)		CR#_3	Byte5: bit5 =1	
	ENABLE_SRC0	ENABLE_SRC2		DISABLE_SRC3	ENABLE_SRC3
CR#_4	Byte5: bit4 =0(PWD)		CR#_6	Byte5: bit3 =1	
	DISABLE_SRC4	ENABLE_SRC4		DISABLE_SRC6	ENABLE_SRC6

CR#_7	Byte5: bit2 =0(PWD)		CR#_9	Byte5: bit1 =1	
	DISABLE_SRC7	ENABLE_SRC7		DISABLE_SRC9	ENABLE_SRC9
CR#_10	Byte5: bit0 =0(PWD)		CR#_11	Byte6: bit7 =1	
	DISABLE_SRC10	ENABLE_SRC10		DISABLE_SRC11	ENABLE_SRC11

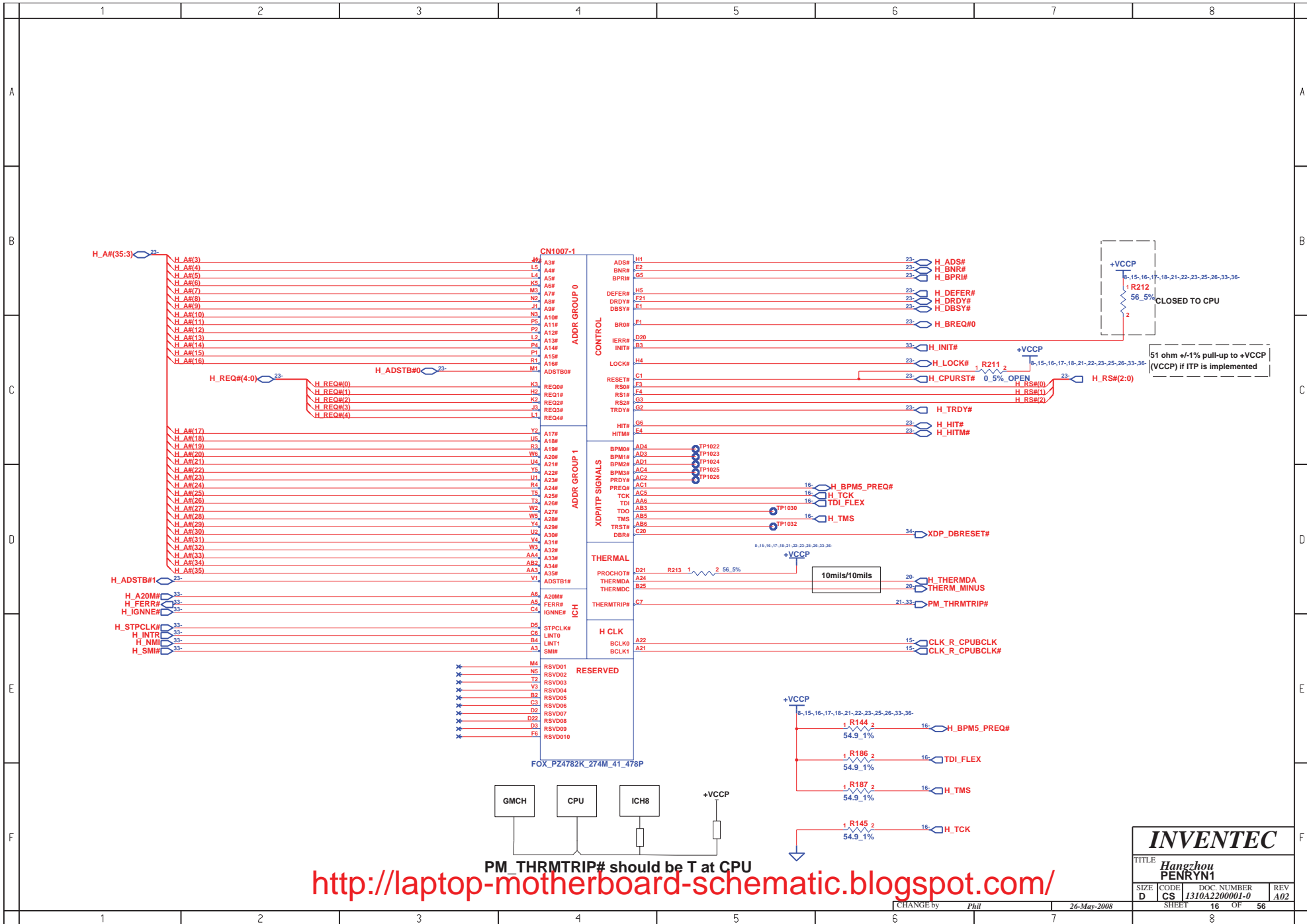
<http://laptop-motherboard-schematic.blogspot.com/>

**INVENTEC**

TITLE: Hangzhou  
CLOCK GENERATOR

REV: D  
CODE: CS  
DOC. NUMBER: 1310A220001-0  
REV: A02

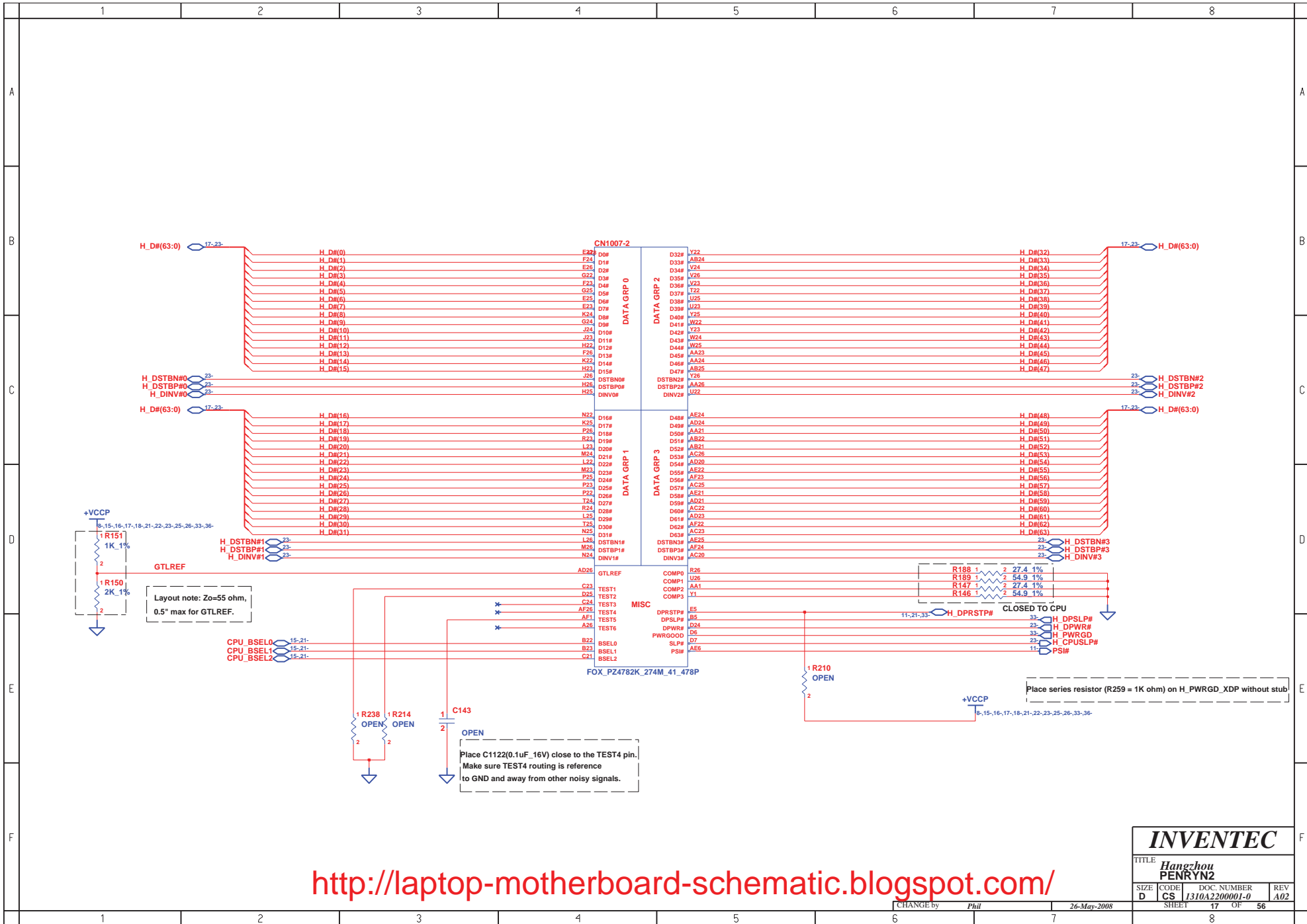
CHANGE by: Phil  
26-May-2008  
SHEET: 15 OF 56



<http://laptop-motherboard-schematic.blogspot.com/>

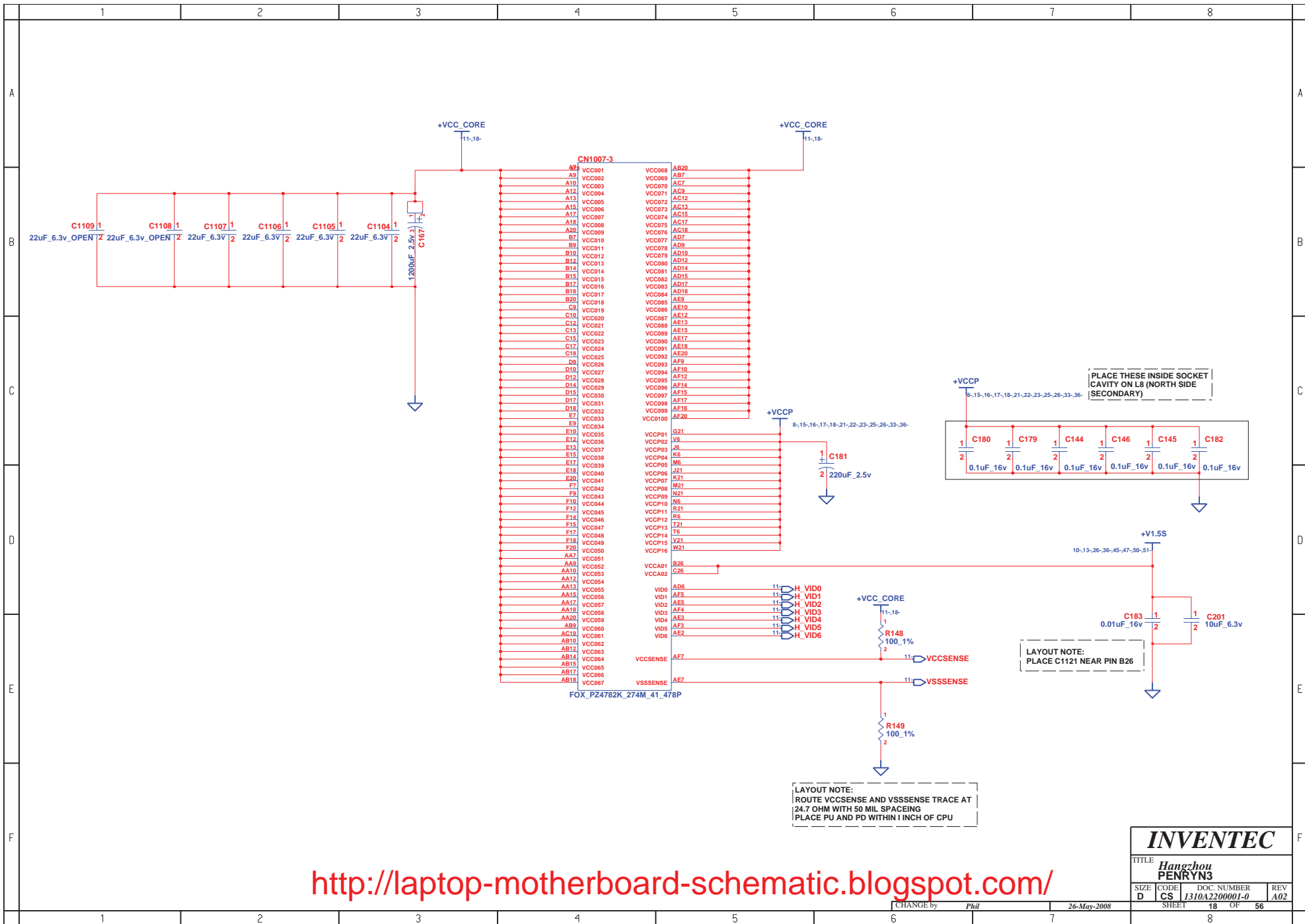
<b>INVENTEC</b>			
TITLE Hangzhou PENRYN1			
SIZE D	CODE CS	DOC NUMBER J310A2200001-0	REV A02
CHANGE by Phil		26-May-2008	
SHEET 16		OF 56	





<http://laptop-motherboard-schematic.blogspot.com/>

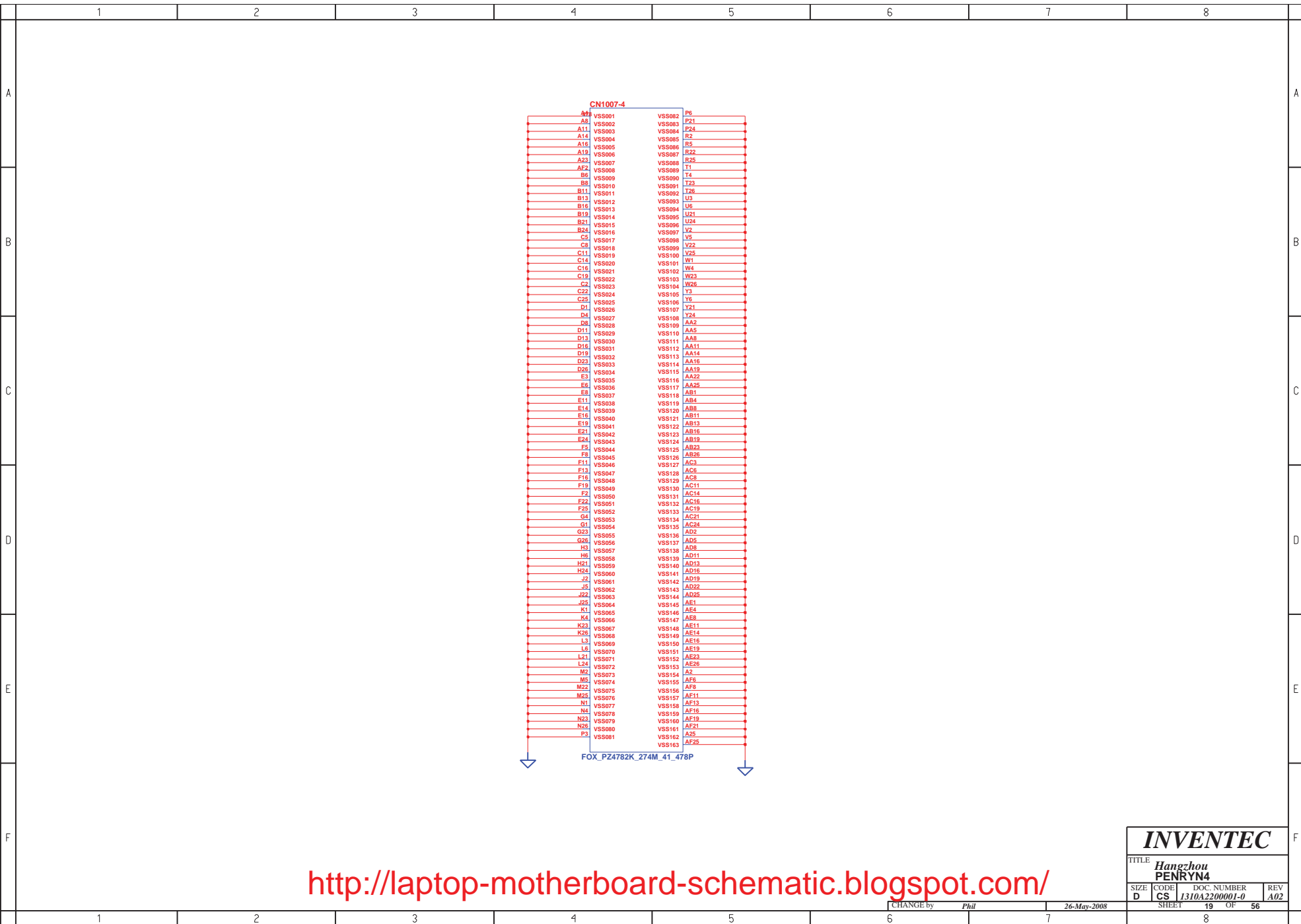
<b>INVENTEC</b>			
TITLE Hangzhou PENRYN2			
SIZE D	CODE CS	DOC. NUMBER 1310A2200001-0	REV A02
CHANGE by Phil		26-May-2008	
SHEET 17		OF 56	



<http://laptop-motherboard-schematic.blogspot.com/>

**INVENTEC**

TITLE			
Hangzhou PENRYN3			
SIZE	CODE	DOC. NUMBER	REV
D	CS	1310A2200001-0	A02
CHANGE by Phil 26-May-2008			SHEET 18 OF 56

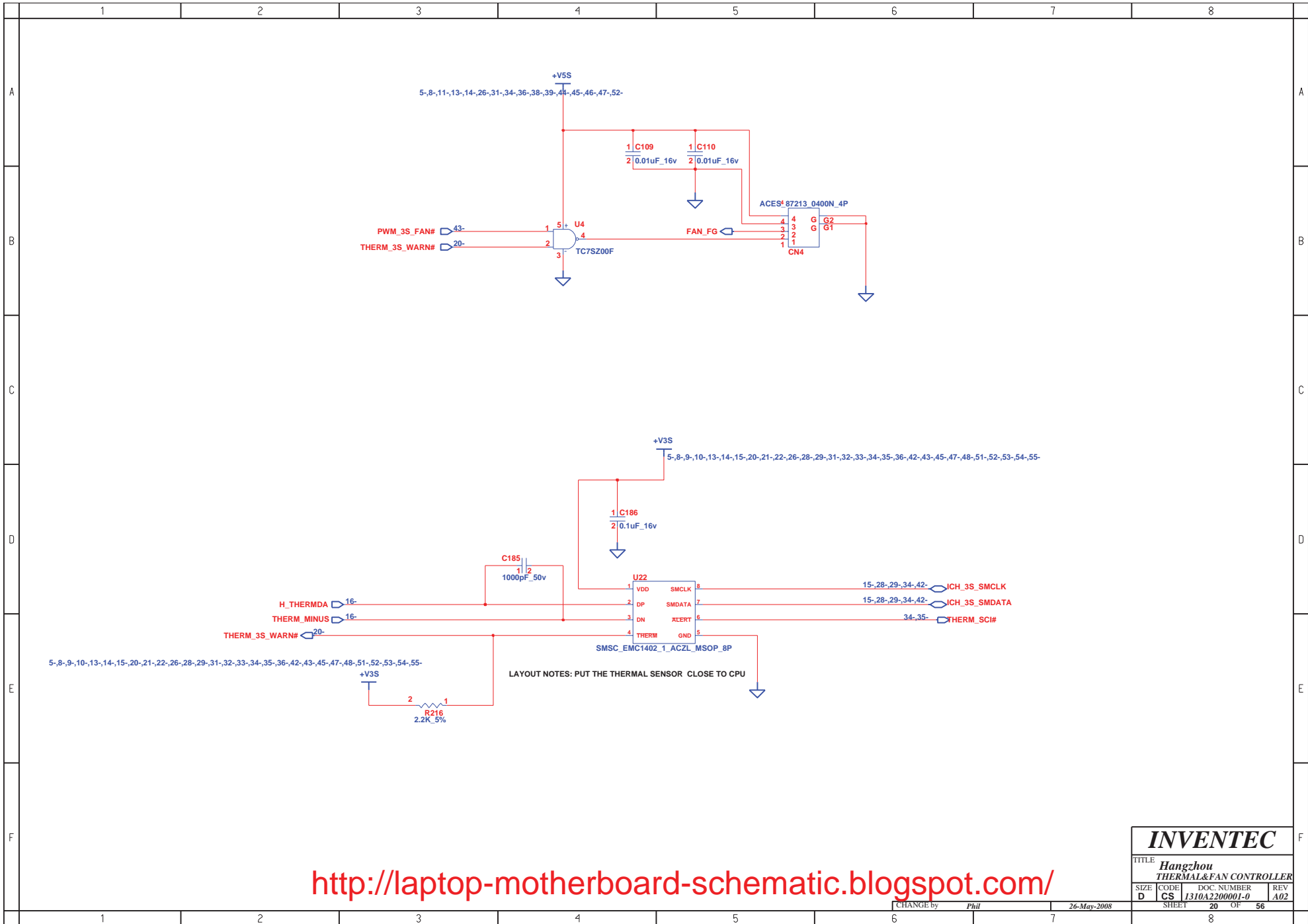


<http://laptop-motherboard-schematic.blogspot.com/>

**INVENTEC**

TITLE			
Hangzhou <b>PENRYN4</b>			
SIZE	CODE	DOC. NUMBER	REV
D	CS	1310A220001-0	A02

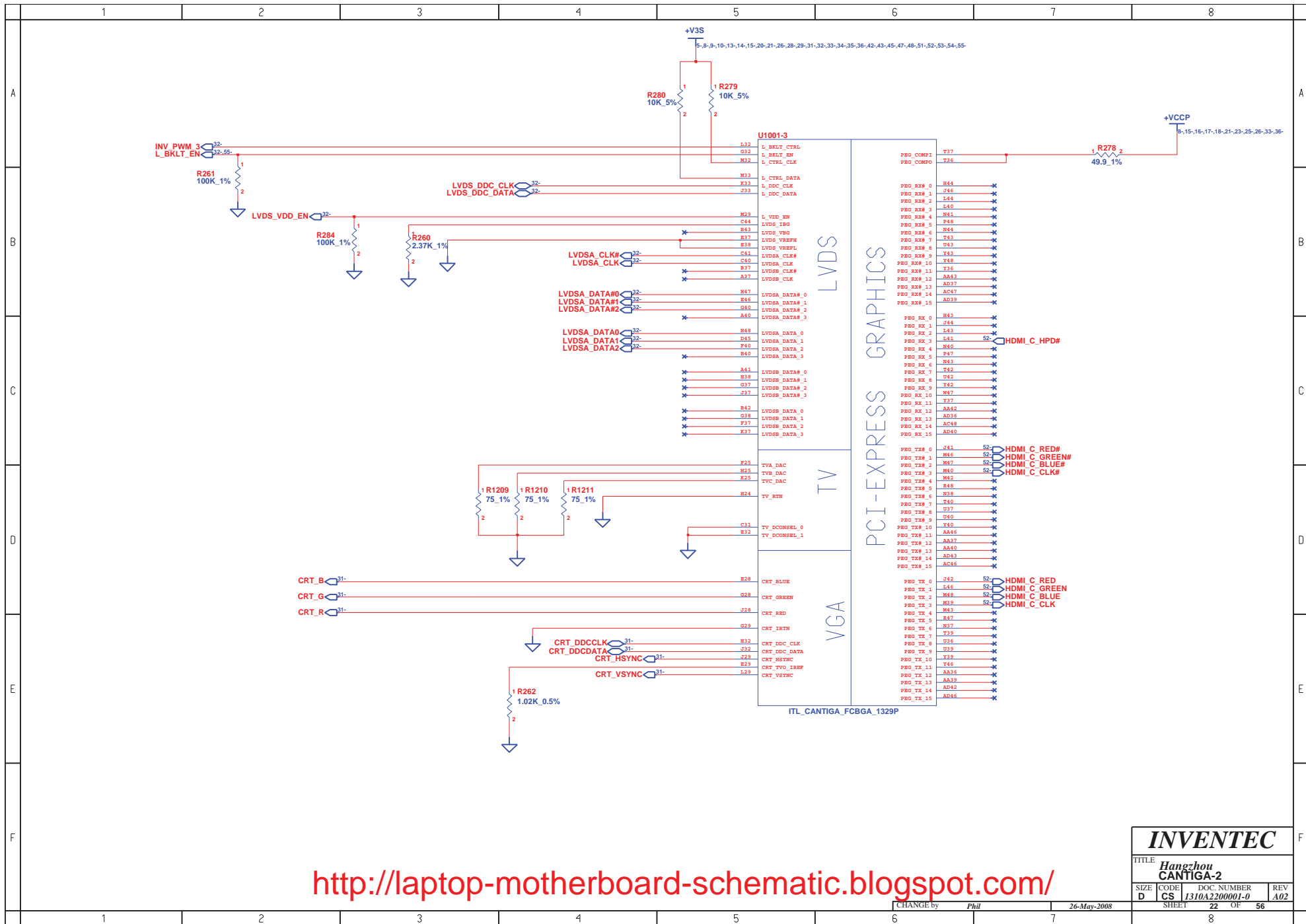
CHANGE by Phil 26-May-2008 SHEET 19 OF 56



<http://laptop-motherboard-schematic.blogspot.com/>

<b>INVENTEC</b>			
TITLE <b>Hangzhou THERMAL&amp;FAN CONTROLLER</b>			
SIZE D	CODE CS	DOC. NUMBER J310A2200001-0	REV A02
CHANGE by Phil		26-May-2008	SHEET 20 OF 56





<http://laptop-motherboard-schematic.blogspot.com/>

**INVENTEC**

TITLE  
Hangzhou  
CANTIGA-2

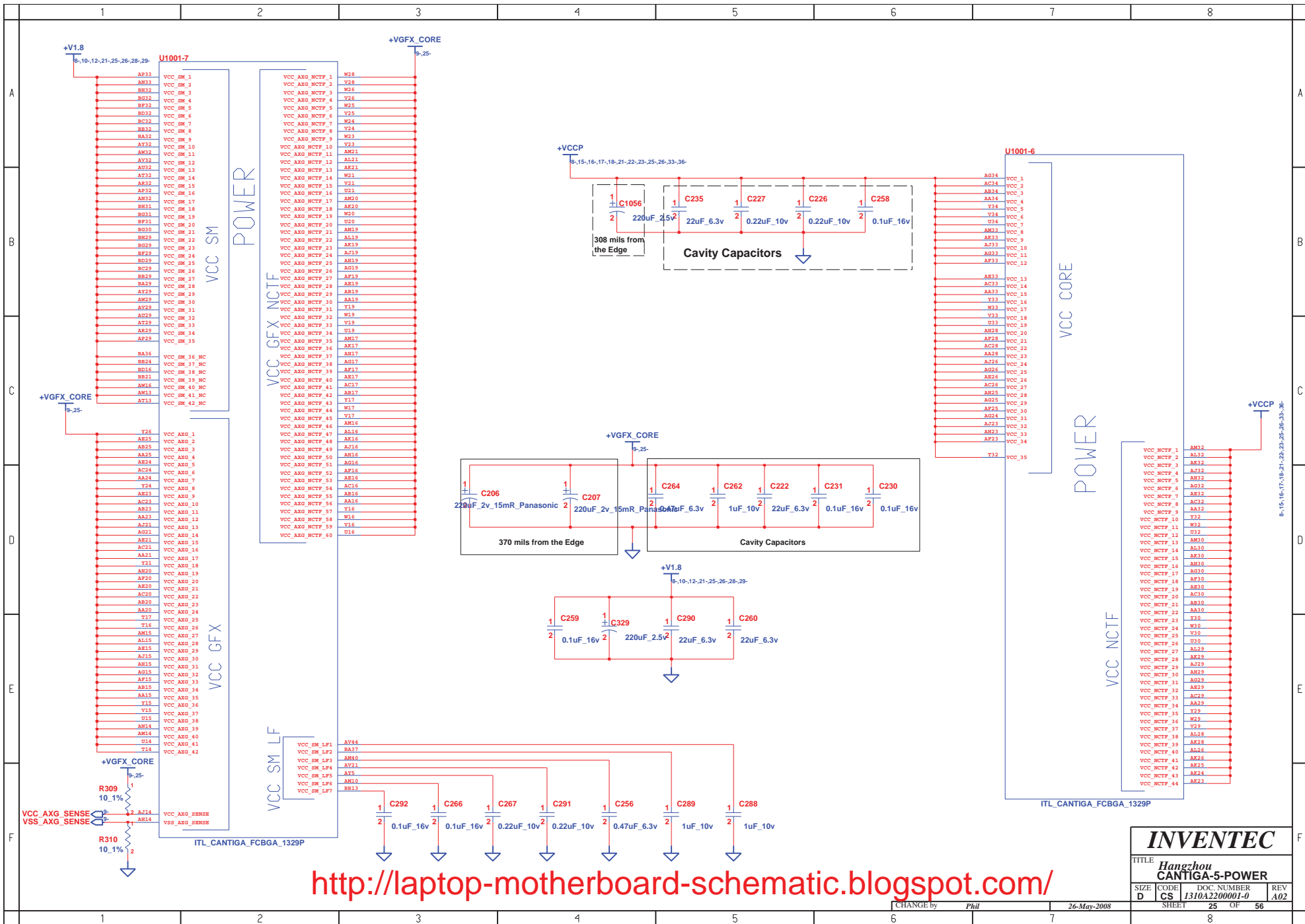
SIZE	CODE	DOC. NUMBER	REV
D	CS	1310A2200001-0	A02

CHANGE by Phil 26-May-2008 SHEET 22 OF 56





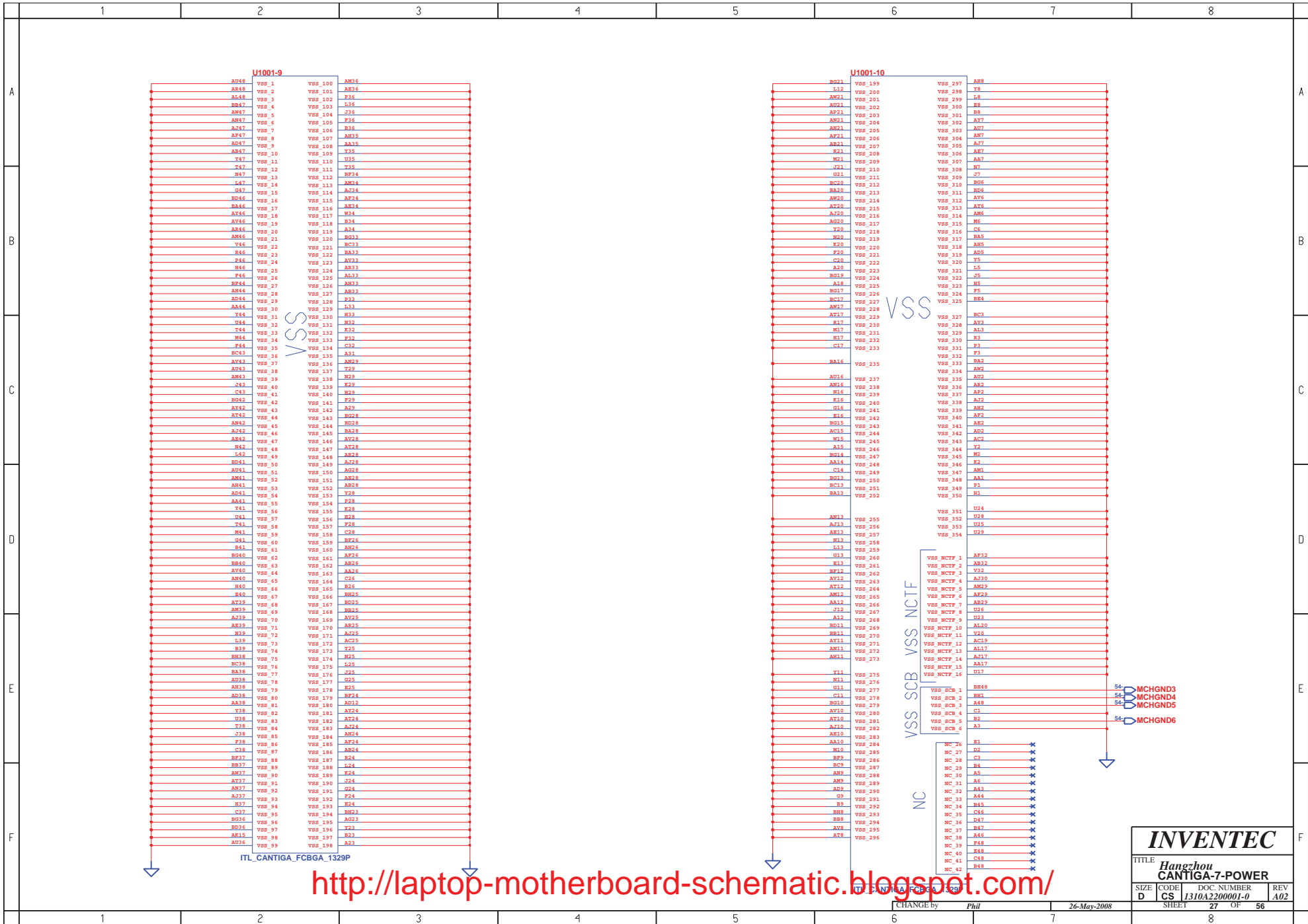




<http://laptop-motherboard-schematic.blogspot.com/>

<b>INVENTEC</b>			
TITLE <b>Hangzhou CANTIGA-5-POWER</b>			
SIZE	CODE	DOC NUMBER	REV
D	CS	1310A2200001-0	A02
CHANGE by		Phil	26-May-2008
SHEET		25	OF 56

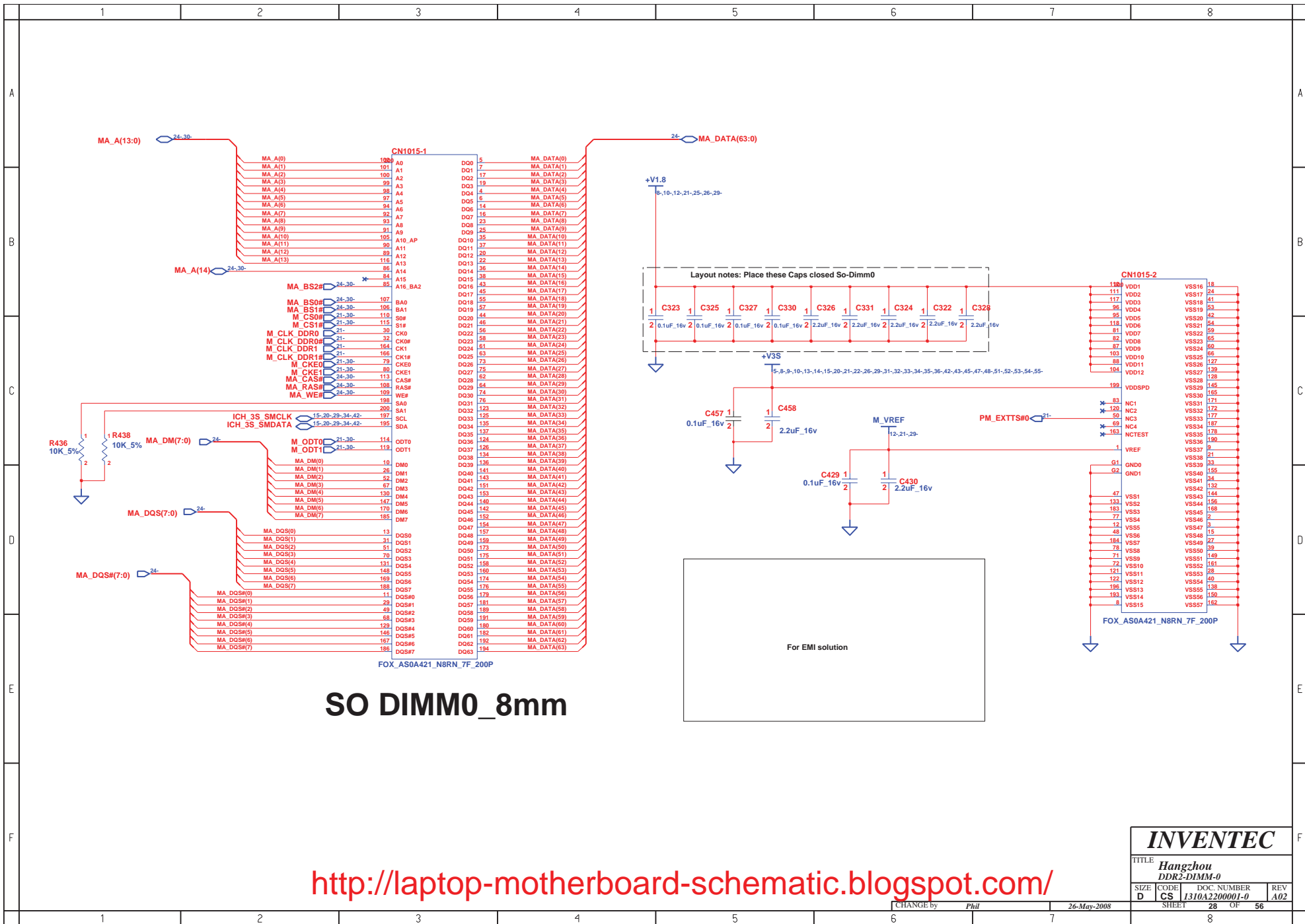




<http://laptop-motherboard-schematic.blogspot.com/>

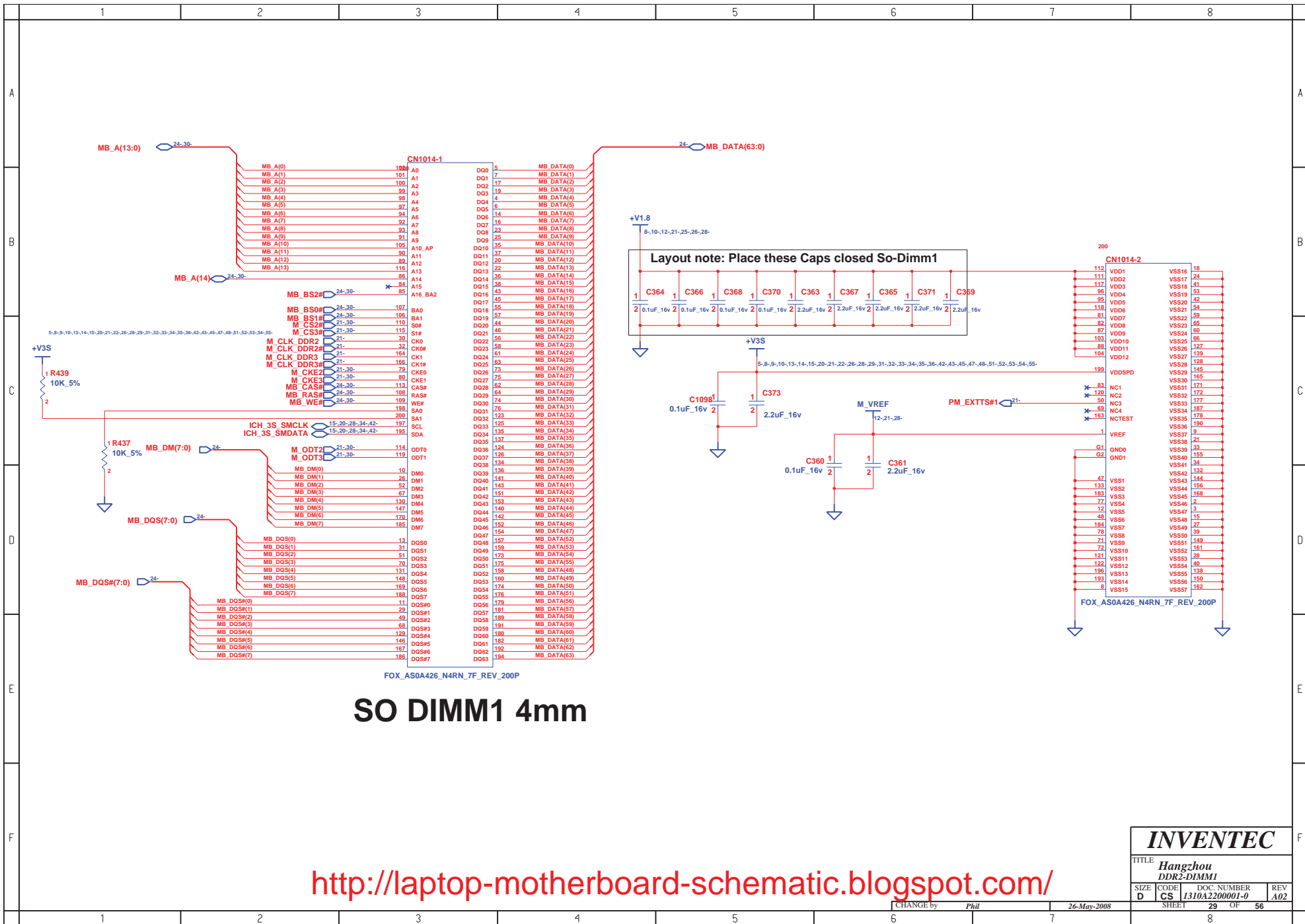
<b>INVENTEC</b>			
TITLE <b>Hangzhou CANTIGA-7-POWER</b>			
SIZE	CODE	DOC. NUMBER	REV
D	CS	1310A2200001-0	A02
SHEET		27	OF 56

CHANGE by Phil 26-May-2008



<http://laptop-motherboard-schematic.blogspot.com/>

<b>INVENTEC</b>			
TITLE Hangzhou DDR2-DIMM-0			
SIZE	CODE	DOC. NUMBER	REV
D	CS	1310A2200001-0	A02
CHANGE by		DATE	SHEET
Phil		26-May-2008	28 OF 56

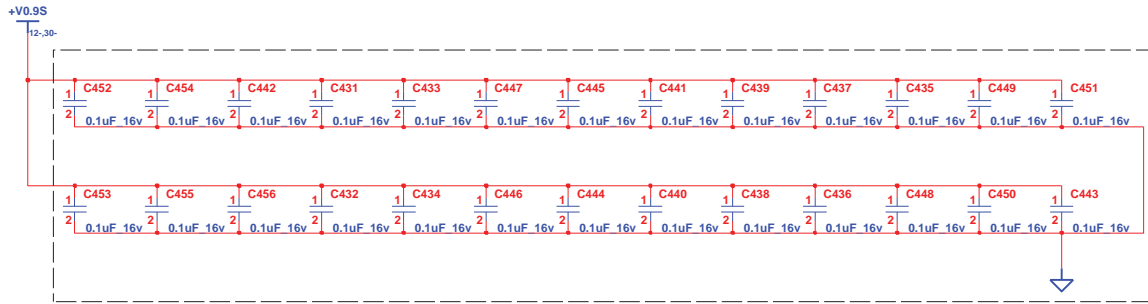


<http://laptop-motherboard-schematic.blogspot.com/>

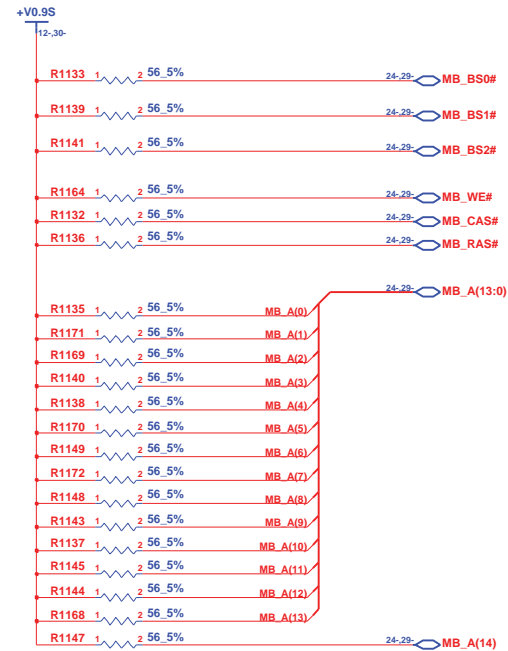
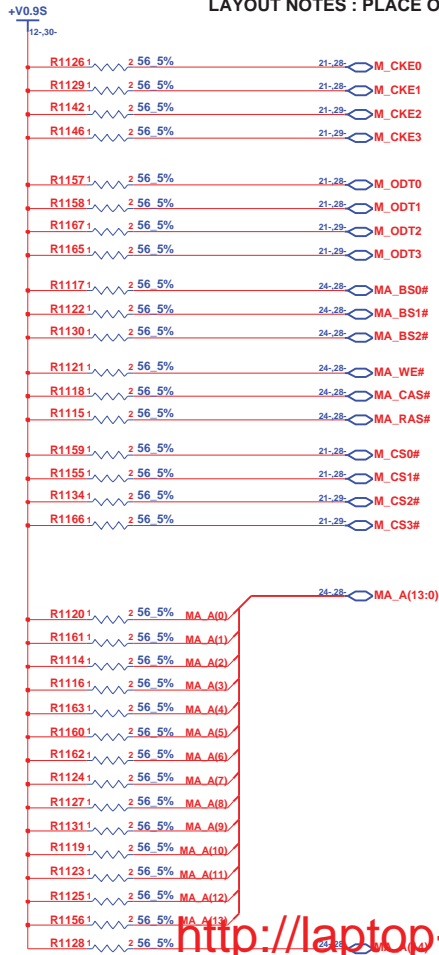
**INVENTEC**

TITLE  
Hangzhou  
DDR2-DIMM1

SIZE D	CODE CS	DOC NUMBER I310A2200001-0	REV A02
-----------	------------	------------------------------	------------

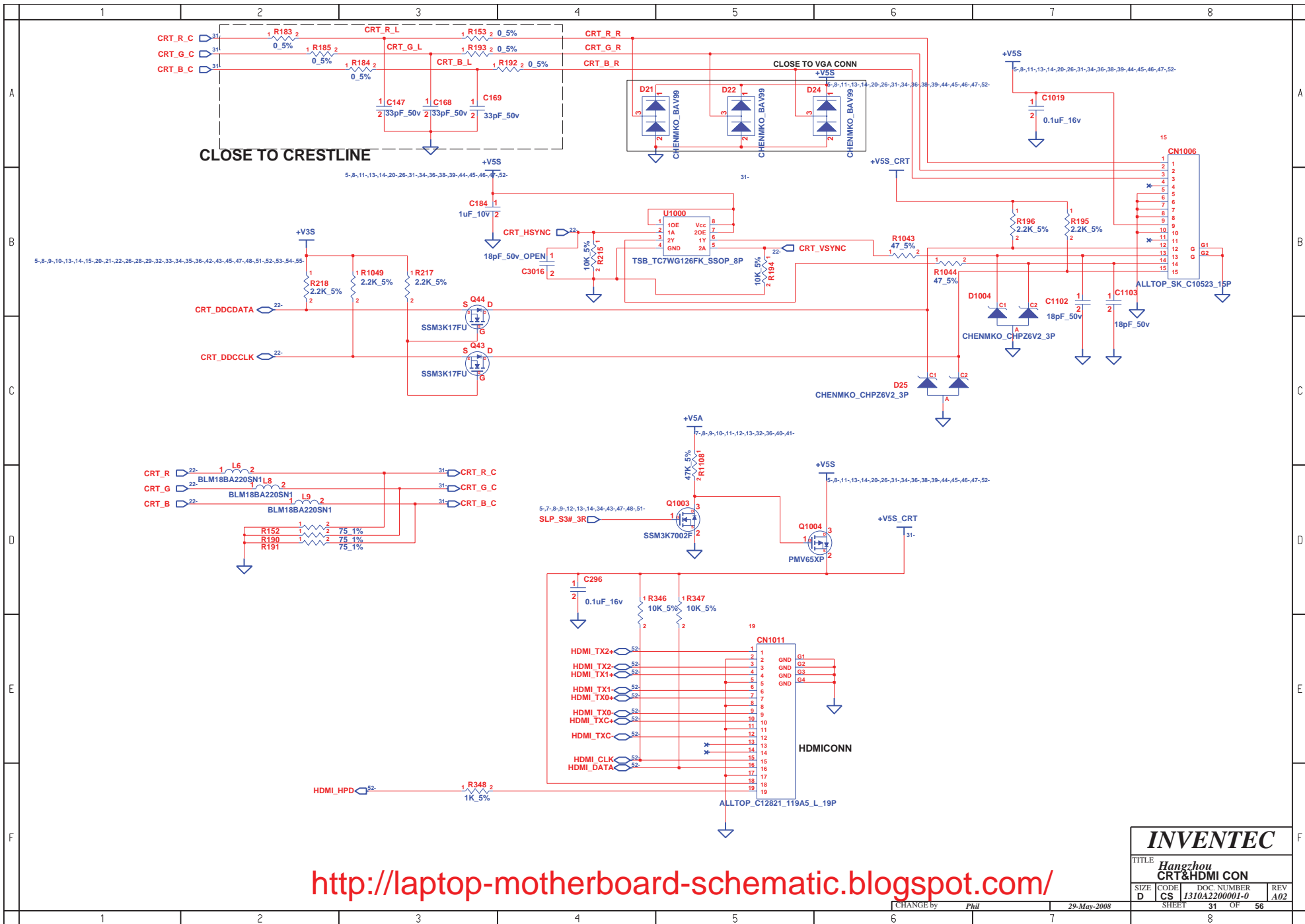


LAYOUT NOTES : PLACE ONE CAP CLOSE TO EVERY 2 PULL UP RESISTOR TERMINATED TO +V0.9S



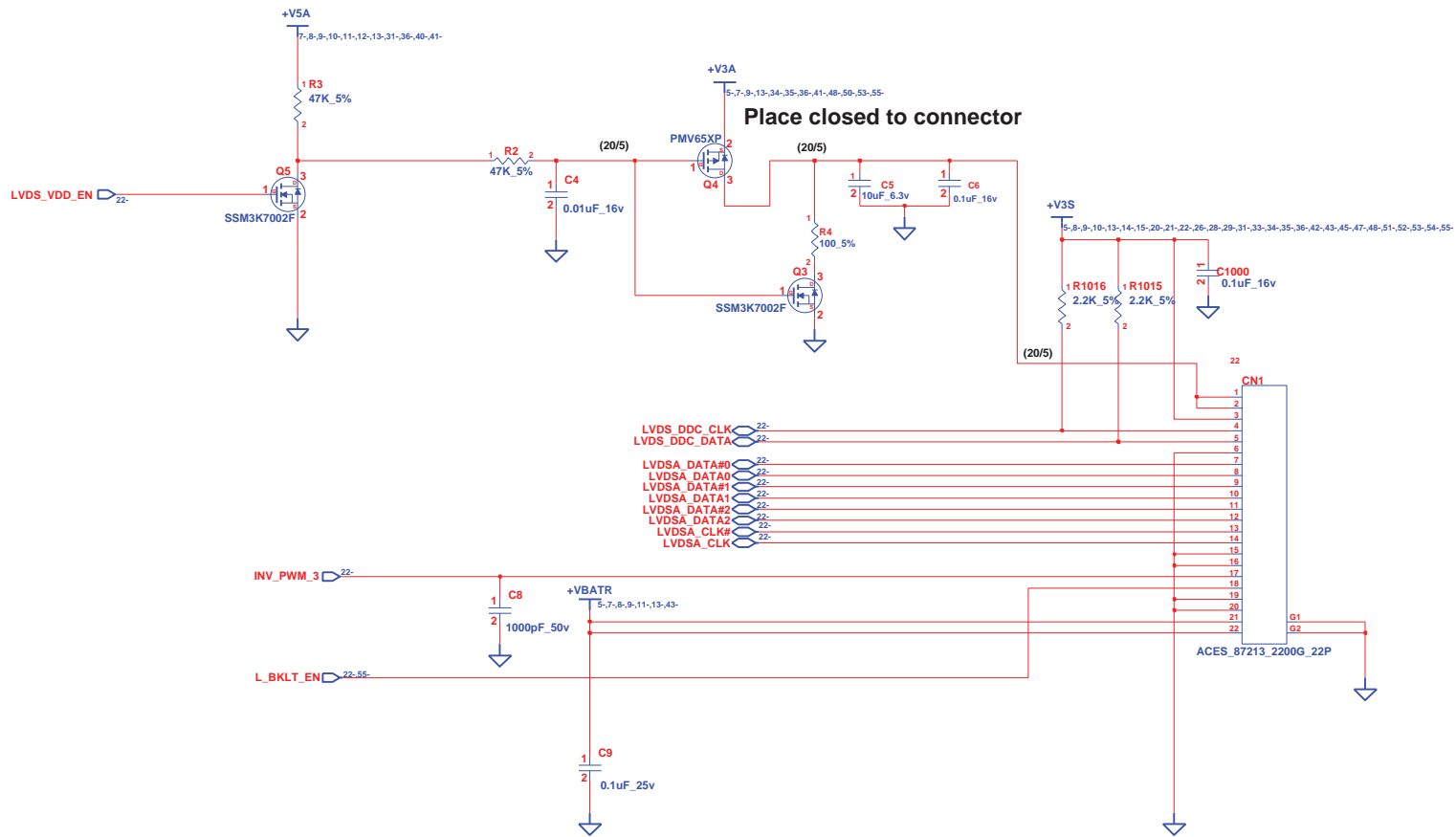
<http://laptop-motherboard-schematic.blogspot.com/>

<b>INVENTEC</b>			
TITLE <b>Hangzhou DDR2-DAMPING</b>			
SIZE D	CODE CS	DOC NUMBER 1310A2200001-0	REV A02
CHANGE by Phil		27-Sep-2003	SHEET 30 OF 56



<http://laptop-motherboard-schematic.blogspot.com/>

<b>INVENTEC</b>			
TITLE <b>Hangzhou CRT&amp;HDMI CON</b>			
SIZE D	CODE CS	DOC NUMBER J310A2200001-0	REV A02
CHANGE by Phil		29-May-2008	
SHEET 31		OF 56	



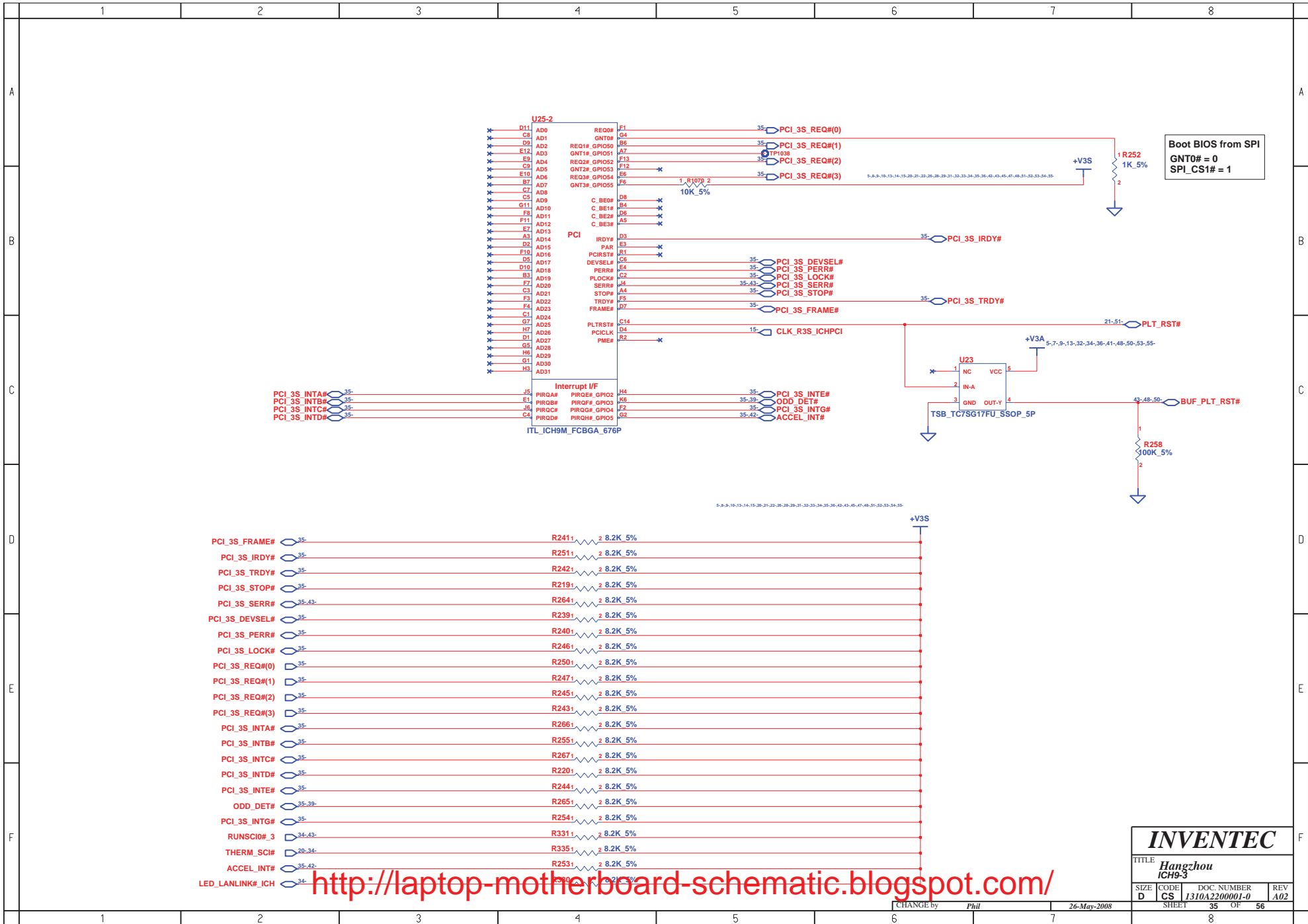
<http://laptop-motherboard-schematic.blogspot.com/>

<b>INVENTEC</b>			
TITLE <i>Hangzhou LCD Conn</i>			
SIZE D	CODE CS	DOC. NUMBER <i>1310A2200001-0</i>	REV A02
CHANGE by <i>Phil</i>		DATE <i>26-May-2008</i>	
SHEET 32		OF 56	









<http://laptop-motherboard-schematic.blogspot.com/>

<b>INVENTEC</b>			
TITLE Hangzhou ICH9-3			
SIZE D	CODE CS	DOC. NUMBER 1310A220001-0	REV A02
CHANGE by Phil		26-May-2008	
SHEET 35		OF 56	



	1	2	3	4	5	6	7	8
A								
B								
C								
D								
E								
F								

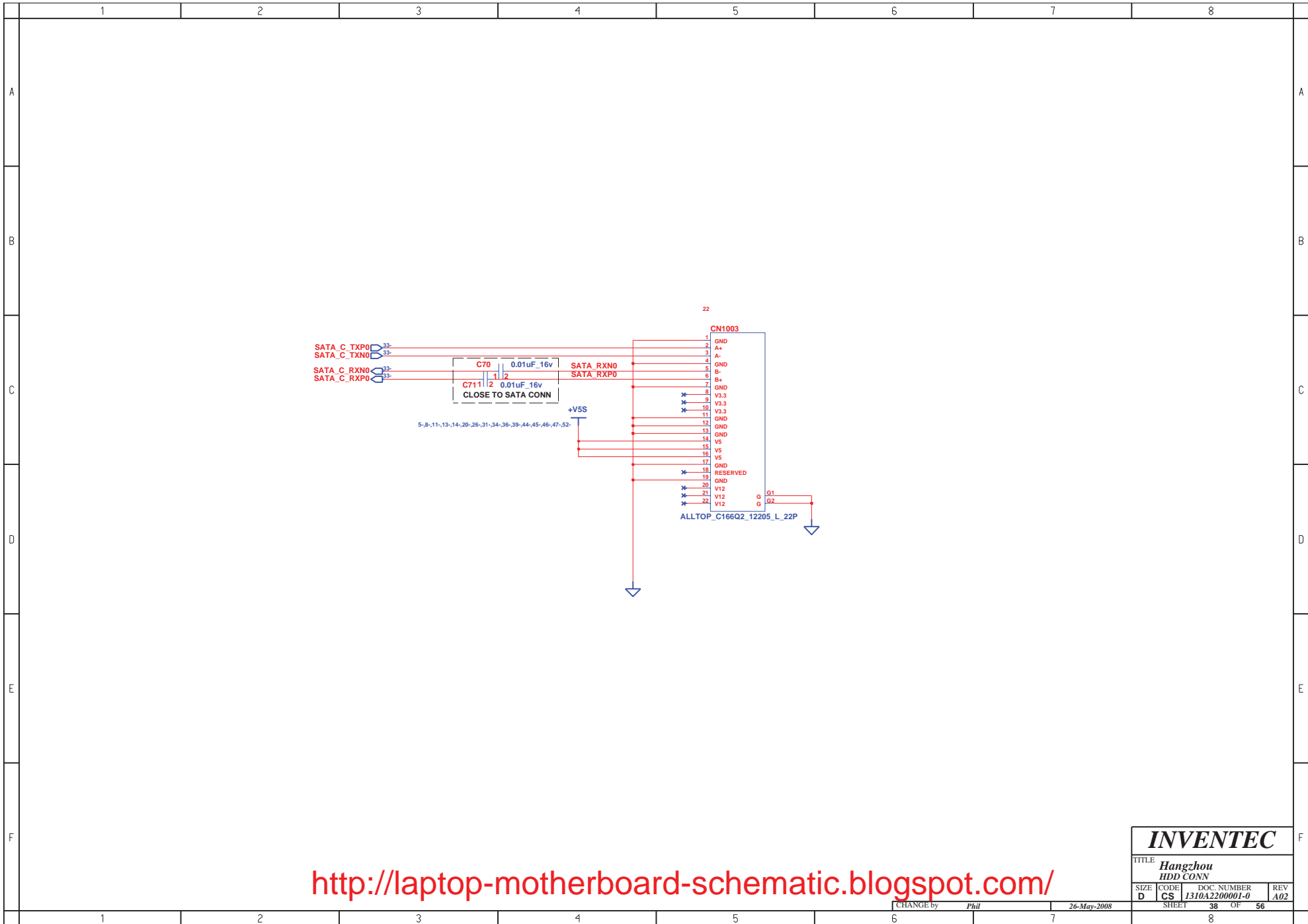
**U25-5**

AA26	VSS001	VSS107	H5
AA27	VSS002	VSS108	J28
AA3	VSS003	VSS109	J28
AA6	VSS004	VSS110	J27
AB1	VSS005	VSS111	AC22
AA23	VSS006	VSS112	K28
AB2	VSS007	VSS113	K29
AB29	VSS008	VSS114	L13
AB4	VSS009	VSS115	L15
AB5	VSS010	VSS116	L2
AC17	VSS011	VSS117	L26
AC26	VSS012	VSS118	L27
AC27	VSS013	VSS119	L5
AC3	VSS015	VSS120	L7
AD1	VSS014	VSS121	M12
AD10	VSS016	VSS122	M13
AD12	VSS017	VSS123	M14
AD13	VSS019	VSS125	M15
AD14	VSS018	VSS124	M16
AD17	VSS020	VSS126	M17
AD18	VSS021	VSS127	M23
AD21	VSS022	VSS128	M28
AD28	VSS023	VSS129	M28
AD29	VSS024	VSS130	N11
AD4	VSS025	VSS131	N12
AD5	VSS026	VSS132	N13
AD6	VSS027	VSS133	N14
AD7	VSS028	VSS134	N15
AD9	VSS029	VSS135	N16
AE12	VSS030	VSS136	N17
AE13	VSS031	VSS137	N18
AE14	VSS032	VSS138	N26
AE16	VSS033	VSS140	N27
AE17	VSS034	VSS140	P12
AE2	VSS035	VSS141	P13
AE20	VSS036	VSS142	P14
AE24	VSS037	VSS143	P15
AE3	VSS038	VSS144	P16
AE4	VSS039	VSS145	P17
AE6	VSS040	VSS146	P2
AE9	VSS041	VSS147	P23
AF13	VSS042	VSS148	P28
AF16	VSS043	VSS149	P29
AF18	VSS044	VSS150	P4
AF22	VSS045	VSS152	P7
AH26	VSS046	VSS151	R11
AF26	VSS047	VSS152	R12
AF27	VSS048	VSS154	R13
AF5	VSS049	VSS155	R14
AF7	VSS050	VSS156	R15
AF9	VSS051	VSS157	R16
AG13	VSS052	VSS158	R17
AG16	VSS053	VSS159	R18
AG18	VSS054	VSS160	R28
AG20	VSS055	VSS161	T12
AG23	VSS056	VSS162	T13
AG3	VSS057	VSS163	T14
AG6	VSS058	VSS164	T15
AG9	VSS059	VSS165	T16
AH12	VSS060	VSS166	T17
AH14	VSS061	VSS167	T23
AH17	VSS062	VSS168	B26
AH19	VSS063	VSS169	U12
AH2	VSS064	VSS170	U13
AH22	VSS065	VSS171	U14
AH25	VSS066	VSS172	U15
AH28	VSS067	VSS173	U16
AH5	VSS068	VSS174	U17
AH8	VSS069	VSS175	AD23
AJ12	VSS070	VSS176	U26
AJ14	VSS071	VSS177	U27
AJ17	VSS072	VSS178	U5
AJ8	VSS073	VSS179	V1
B11	VSS074	VSS180	V13
B14	VSS075	VSS181	V15
B17	VSS076	VSS182	V23
B2	VSS077	VSS183	V28
B20	VSS078	VSS184	V29
B23	VSS079	VSS185	V4
B5	VSS080	VSS186	V5
B8	VSS081	VSS187	W26
C26	VSS082	VSS188	W27
C27	VSS083	VSS189	W5
E11	VSS084	VSS190	Y1
E14	VSS085	VSS191	Y28
E18	VSS086	VSS192	V29
E2	VSS087	VSS193	Y4
E21	VSS088	VSS194	Y5
E24	VSS089	VSS195	AG28
E5	VSS090	VSS196	AH6
E8	VSS091	VSS197	AF2
F16	VSS092	VSS197	B25
F28	VSS093	VSS198	
F29	VSS094	VSS_NCTF1	A1
G12	VSS095	VSS_NCTF2	A2
G14	VSS096	VSS_NCTF3	A28
G18	VSS097	VSS_NCTF4	A29
G21	VSS098	VSS_NCTF5	AH1
G24	VSS099	VSS_NCTF6	AH29
G26	VSS100	VSS_NCTF7	AJ1
G27	VSS101	VSS_NCTF8	AJ2
G9	VSS102	VSS_NCTF9	AJ28
H2	VSS103	VSS_NCTF10	AJ29
H23	VSS104	VSS_NCTF11	B1
H28	VSS105	VSS_NCTF12	B29
H29	VSS106		
H31	VSS107		

54- ICHGND1  
54- ICHGND4  
54- ICHGND7  
54- ICHGND10

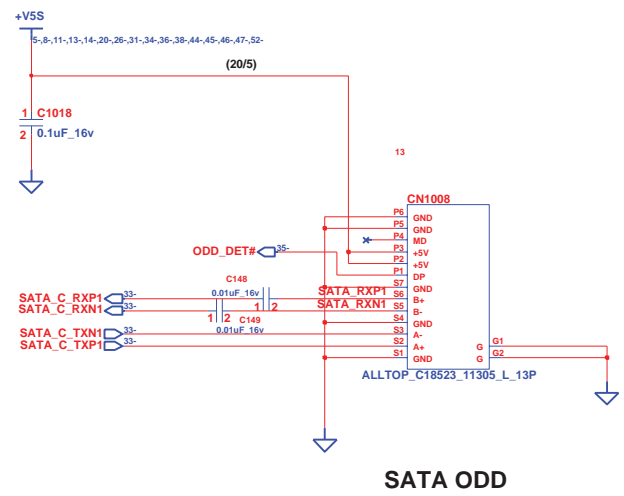
<http://laptop-motherboard-schematic.blogspot.com/>

<b>INVENTEC</b>			
TITLE <b>Hangzhou ICH9-5</b>			
SIZE <b>D</b>	CODE <b>CS</b>	DOC. NUMBER <b>1310A220001-0</b>	REV <b>A02</b>
CHANGE by <i>Phil</i>		26-May-2008	
SHEET <b>37</b>		OF <b>56</b>	



<http://laptop-motherboard-schematic.blogspot.com/>

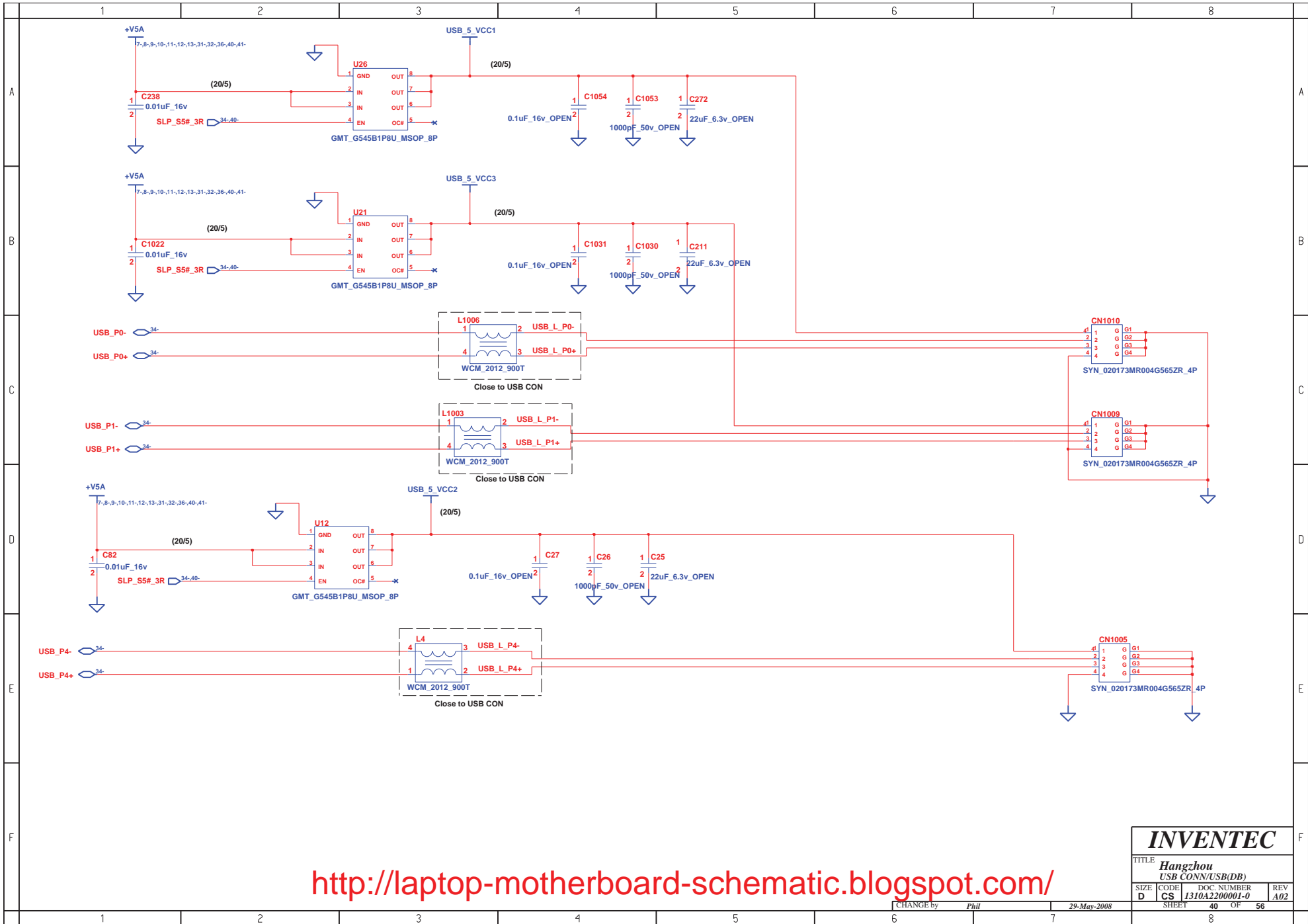
<b>INVENTEC</b>			
TITLE <b>Hangzhou HDD CONN</b>			
SIZE <b>D</b>	CODE <b>CS</b>	DOC. NUMBER <b>1310A2200001-0</b>	REV <b>A02</b>
CHANGE by <b>Phil</b>		DATE <b>26-May-2008</b>	SHEET <b>38</b> OF <b>56</b>



SATA ODD

<http://laptop-motherboard-schematic.blogspot.com/>

<b>INVENTEC</b>			
TITLE <b>Hangzhou ODD CONN</b>			
SIZE <b>D</b>	CODE <b>CS</b>	DOC. NUMBER <b>1310A2200001-0</b>	REV <b>A02</b>
CHANGE by <i>Phil</i>		26-May-2008	
SHEET		39 OF 56	
1		8	

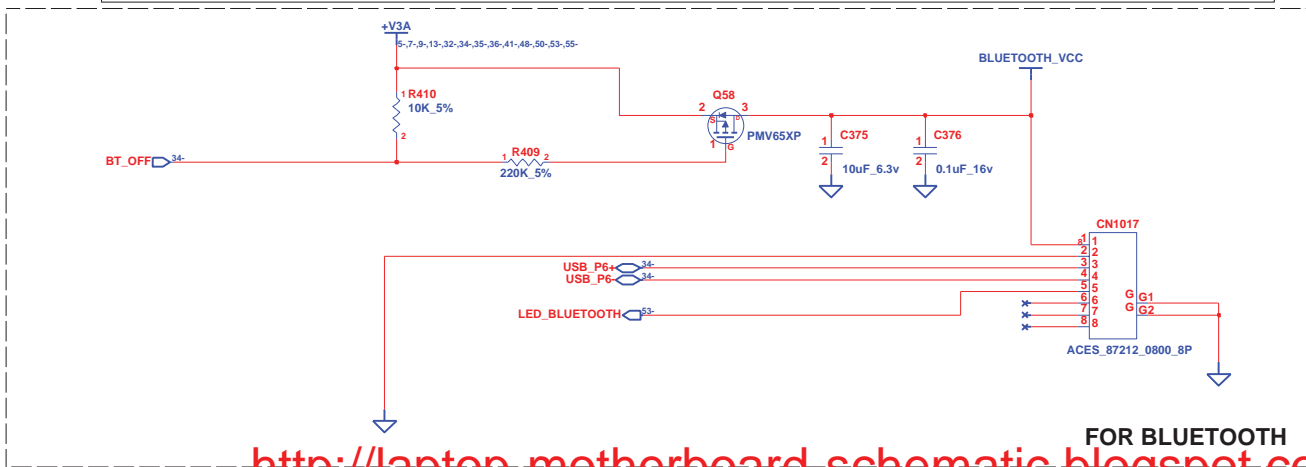
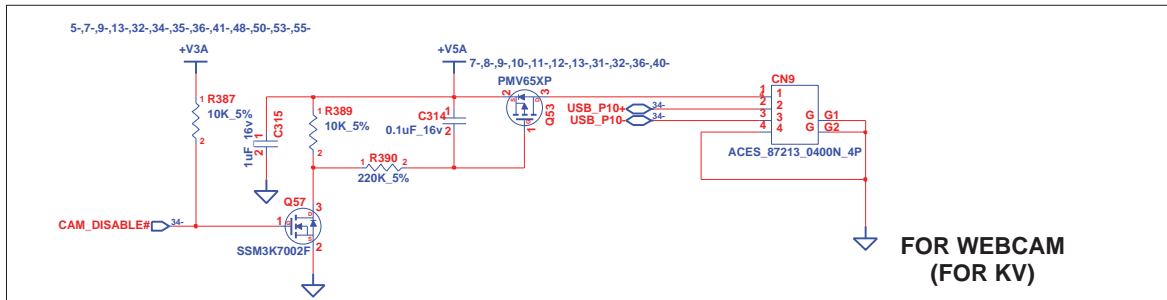
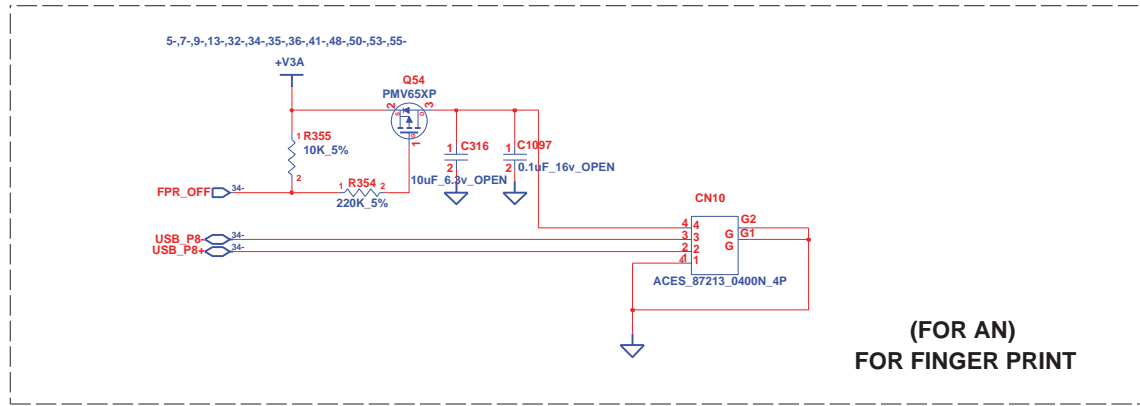


<http://laptop-motherboard-schematic.blogspot.com/>

**INVENTEC**

TITLE			
Hangzhou USB CONN/USB(DB)			
SIZE	CODE	DOC NUMBER	REV
D	CS	J310A2200001-0	A02
CHANGE by		29-May-2008	
SHEET		40 OF 56	





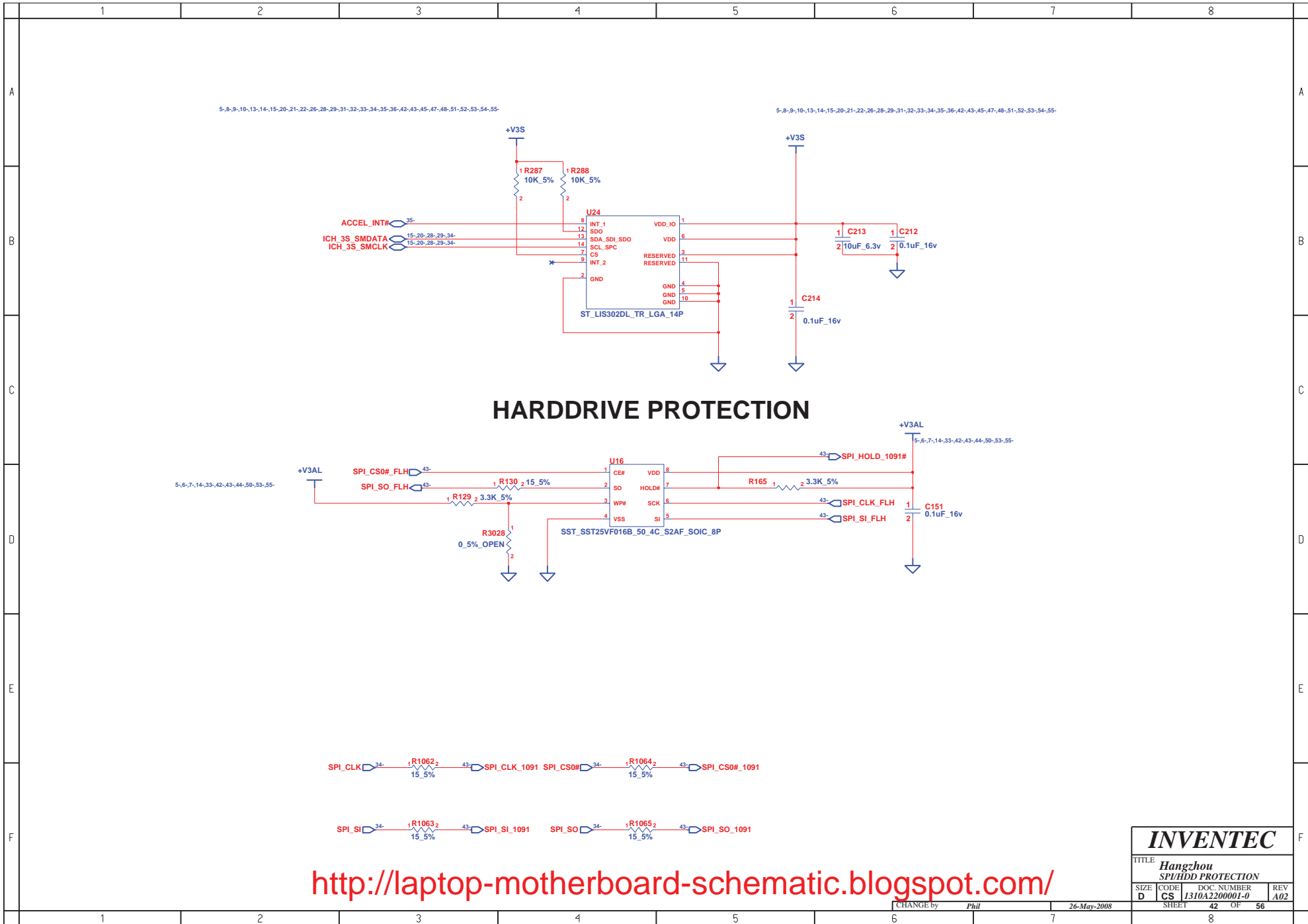
<http://laptop-motherboard-schematic.blogspot.com/>

**INVENTEC**

TITLE			
Hangzhou Finger Printer & BlueTooth			
SIZE	CODE	DOC. NUMBER	REV
D	CS	1310A2200001-0	A02

CHANGE by Phil 26-May-2008

SHEET 41 OF 56



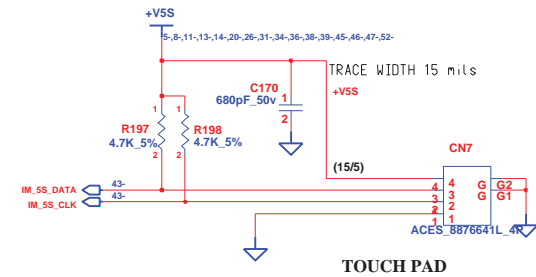
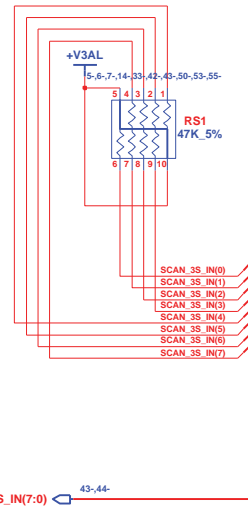
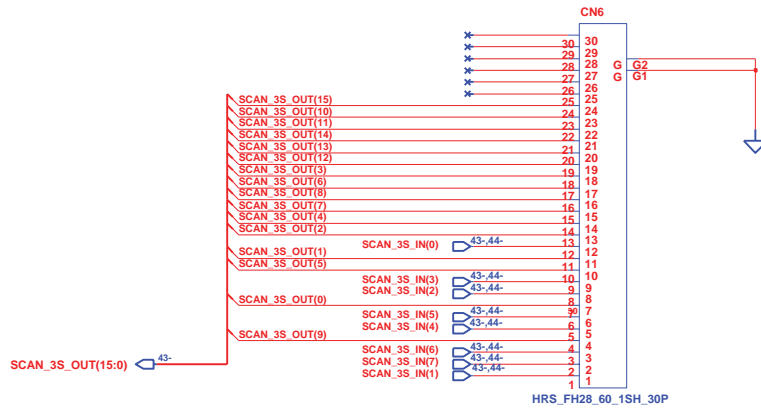
## HARDDRIVE PROTECTION

<http://laptop-motherboard-schematic.blogspot.com/>

**INVENTEC**

TITLE			
Hangzhou SPI/HDD PROTECTION			
SIZE	CODE	DOC NUMBER	REV
D	CS	1310A2200001-0	A02
CHANGE by		SHEET	
Phil		42 OF 56	
26-May-2008		8	

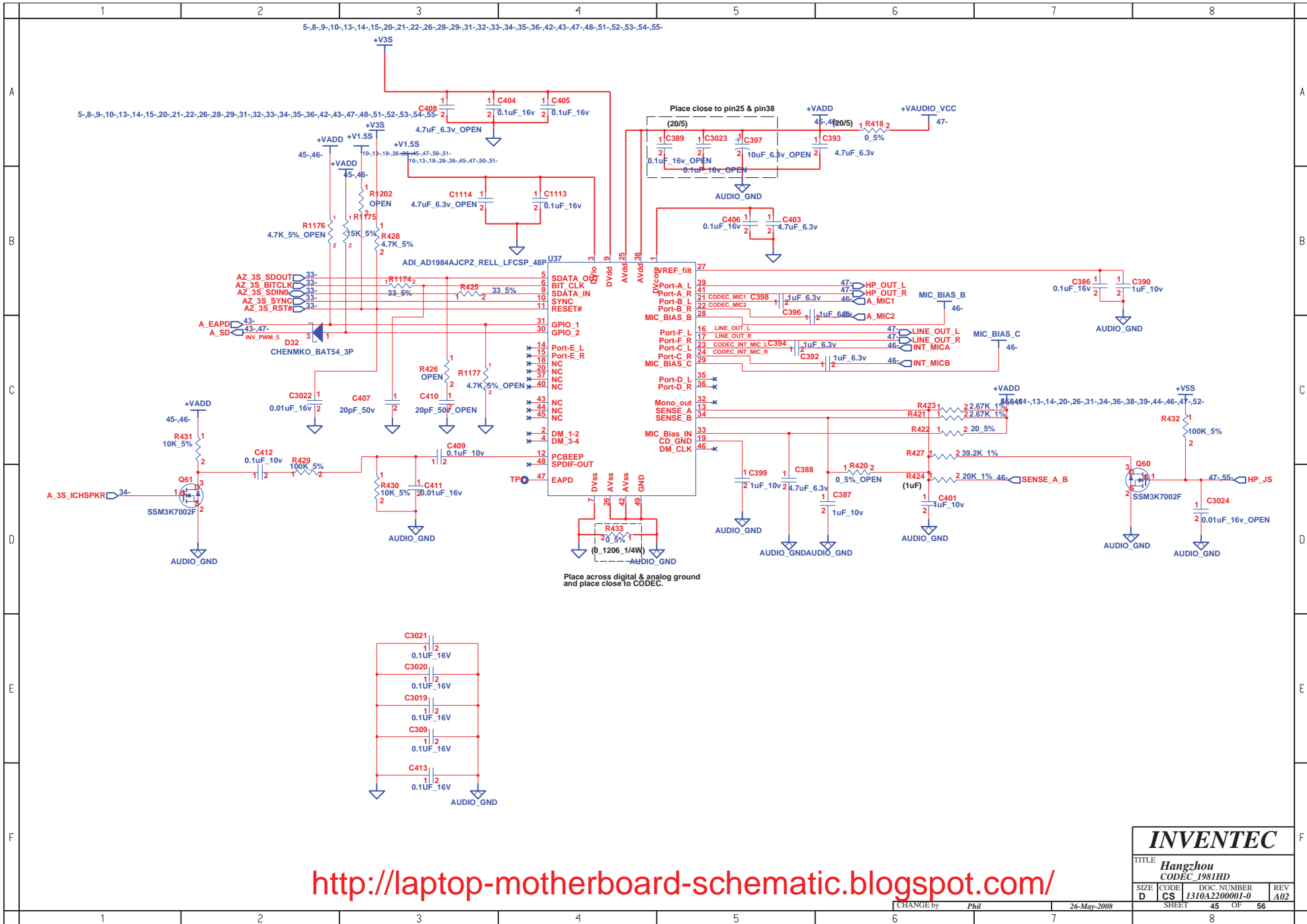




<http://laptop-motherboard-schematic.blogspot.com/>

**INVENTEC**

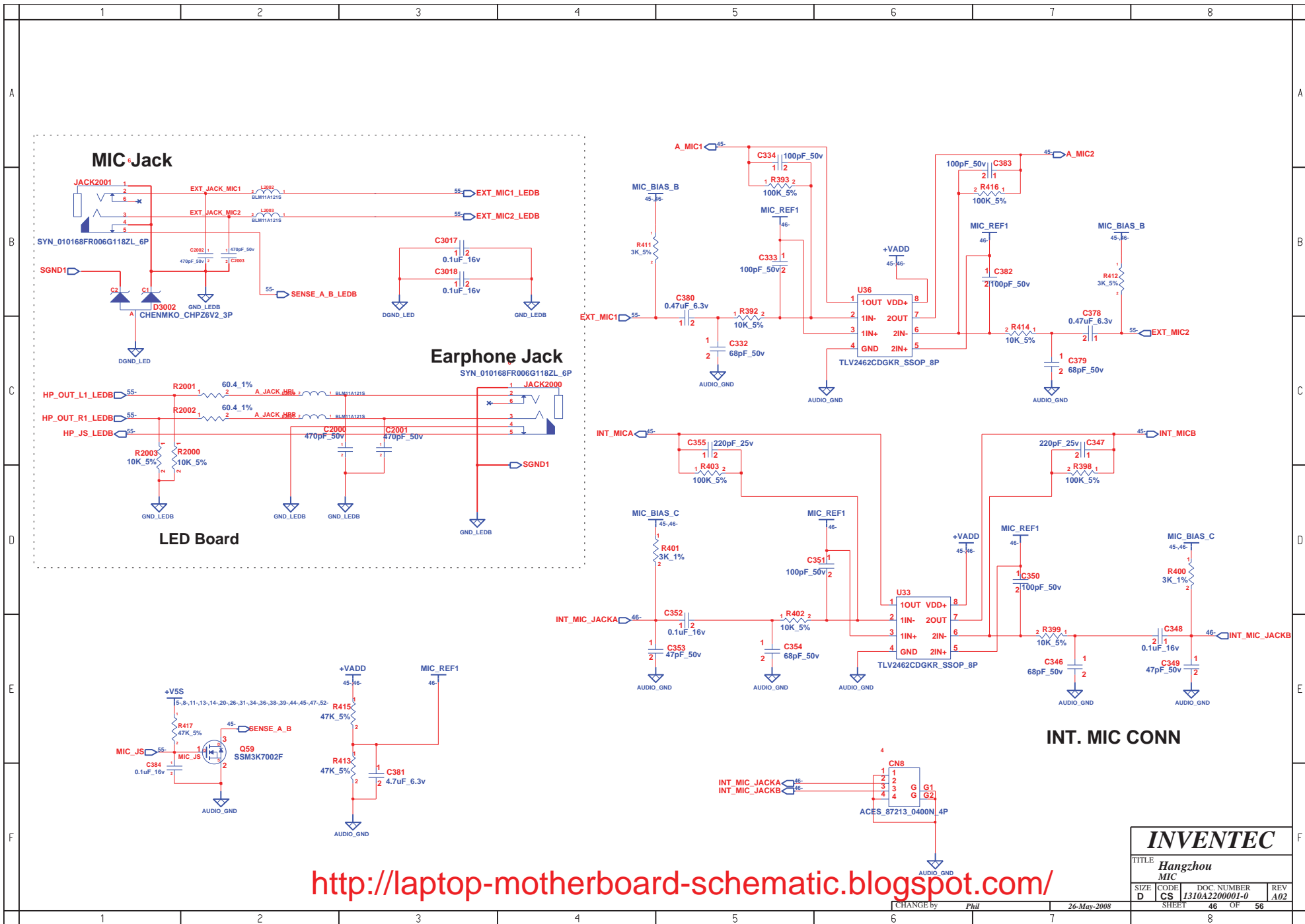
TITLE			
Hangzhou INT.KBC/POINT DEVICES			
SIZE	CODE	DOC NUMBER	REV
D	CS	I310A2200001-0	A02



<http://laptop-motherboard-schematic.blogspot.com/>

**INVENTEC**

TITLE			
Hangzhou CODEC_1981HD			
SIZE	CODE	DOC NUMBER	REV
D	CS	1310A220001-0	A02
CHANGE by Phil			26-May-2008
SHEET			45 OF 56

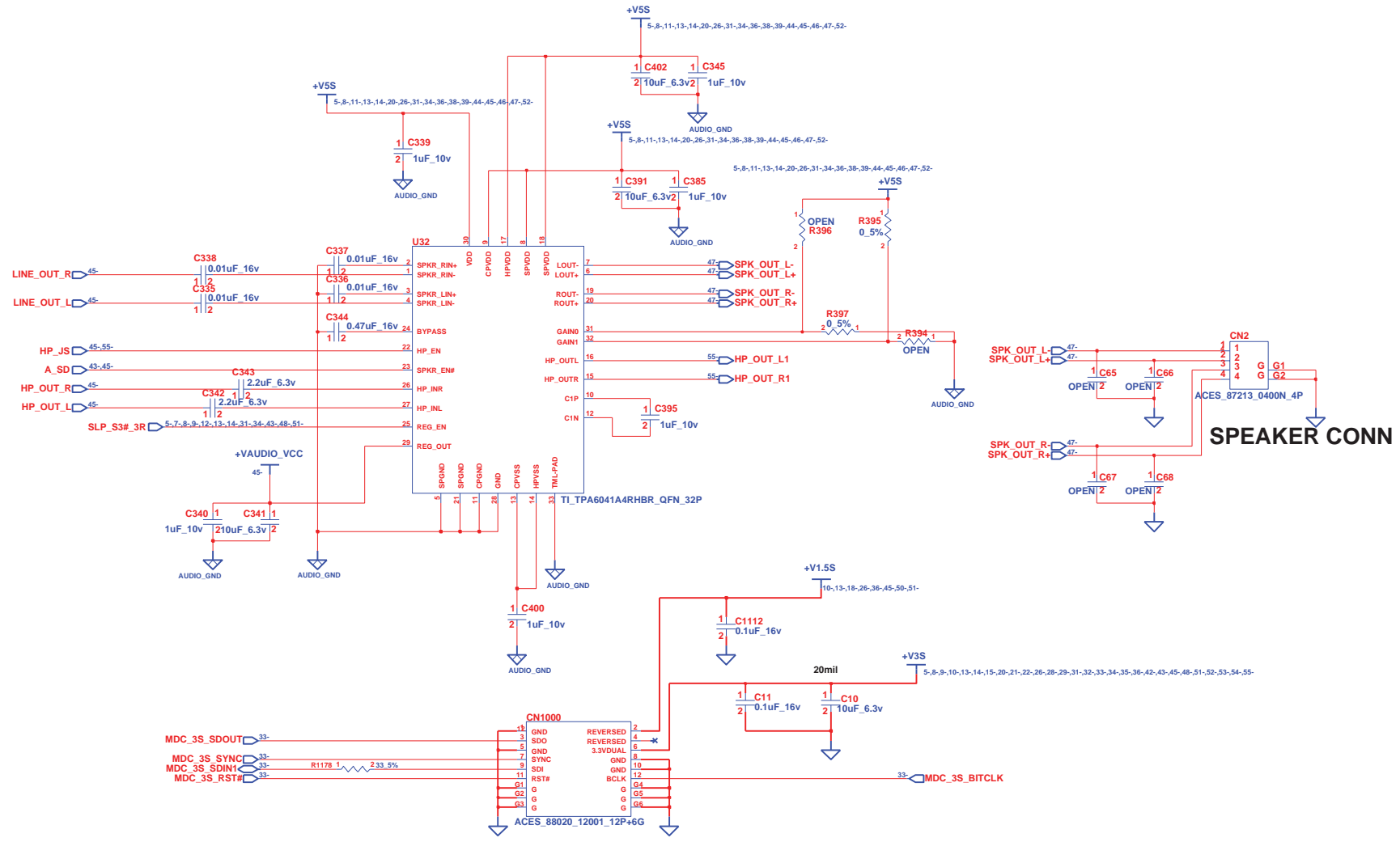


<http://laptop-motherboard-schematic.blogspot.com/>

**INT. MIC CONN**

**INVENTEC**

TITLE			
Hangzhou MIC			
SIZE	CODE	DOC NUMBER	REV
D	CS	I310A2200001-0	A02

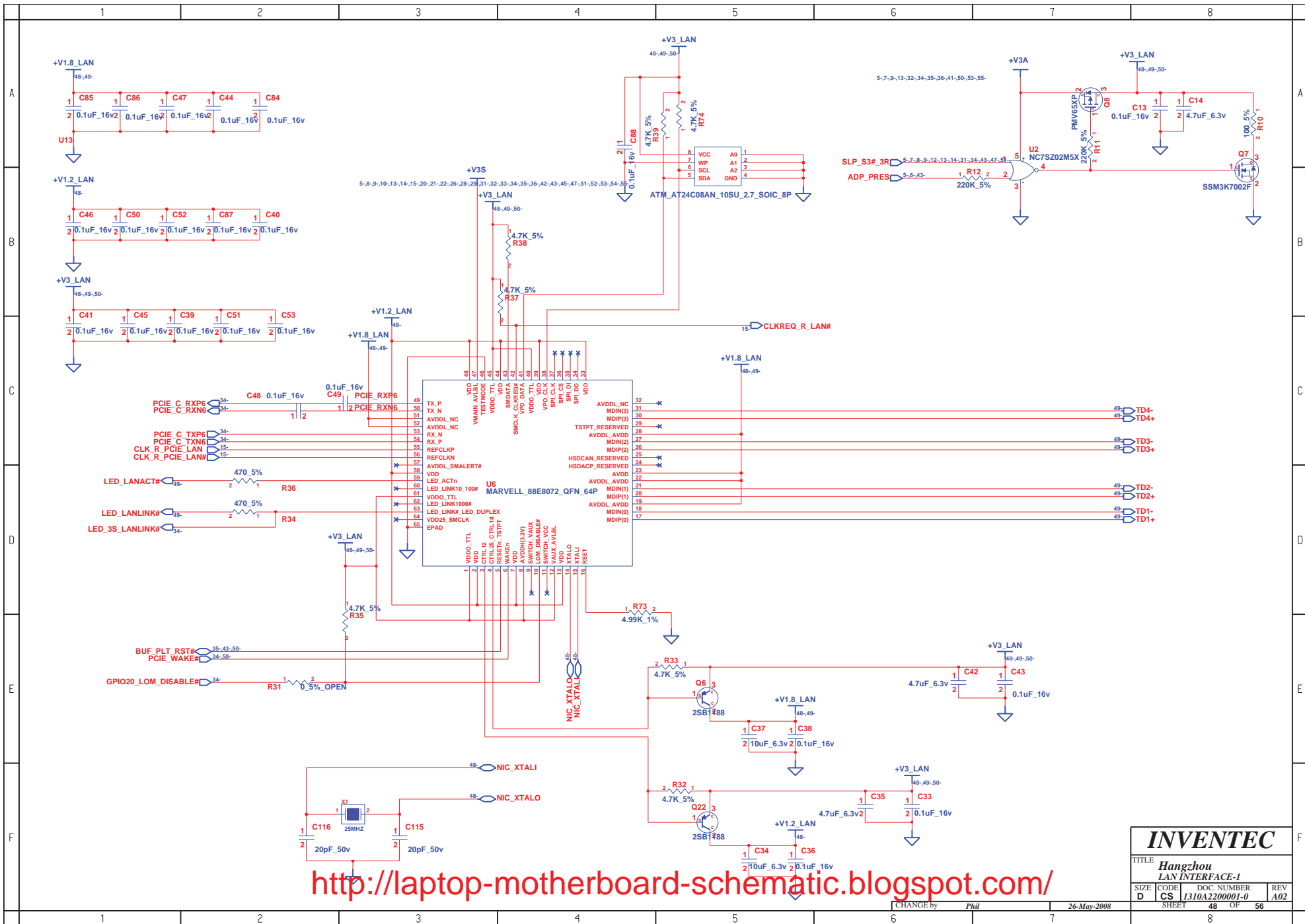


# MDC CONN

# SPEAKER CONN

<http://laptop-motherboard-schematic.blogspot.com/>

<b>INVENTEC</b>			
TITLE Hangzhou MDC			
SIZE D	CODE CS	DOC. NUMBER 1310A2200001-0	REV A02
CHANGE by Phil		26-May-2008	SHEET 47 OF 56

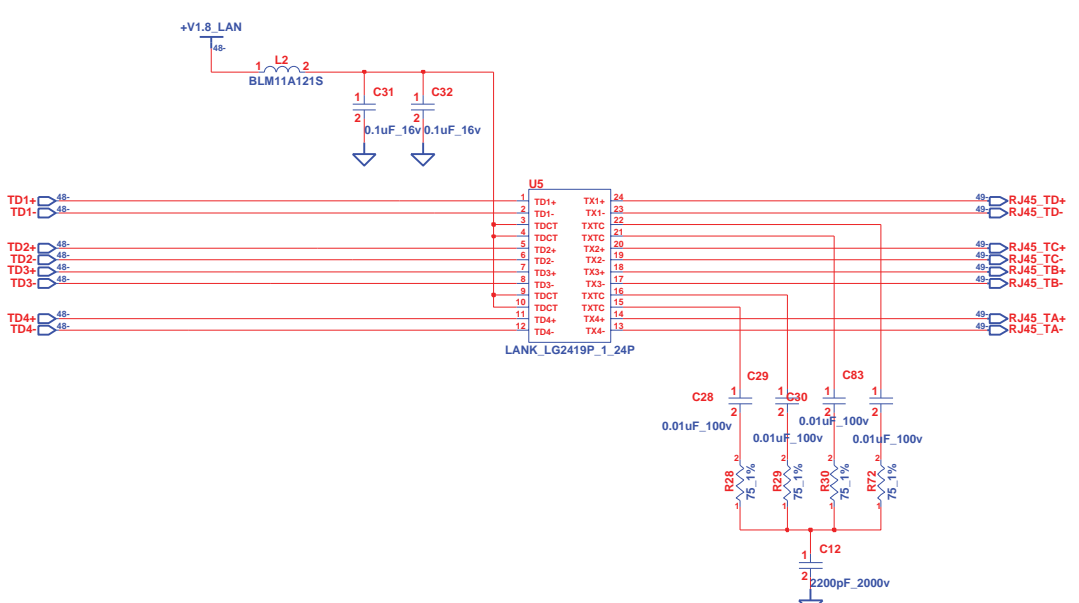
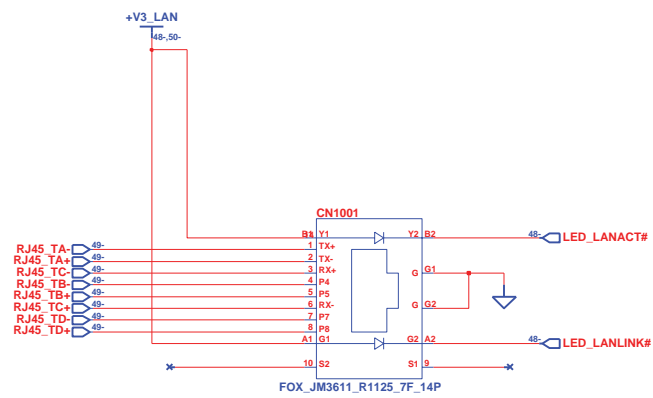


<http://laptop-motherboard-schematic.blogspot.com/>

<b>INVENTEC</b>			
TITLE <b>Hangzhou LAN INTERFACE-1</b>			
SIZE	CODE	DOC. NUMBER	REV
D	CS	1310A2200001-0	A02
SHEET		48	OF 56

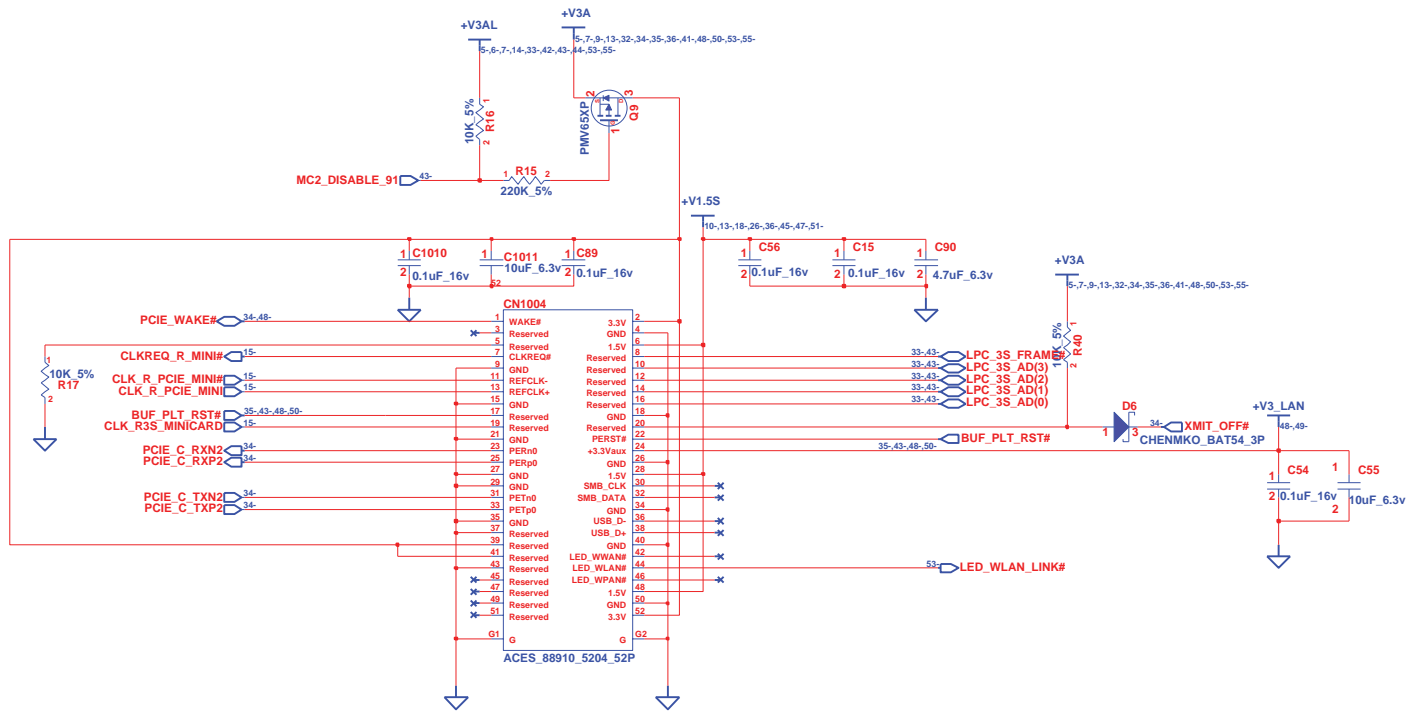
CHANGE by Phil 26-May-2008





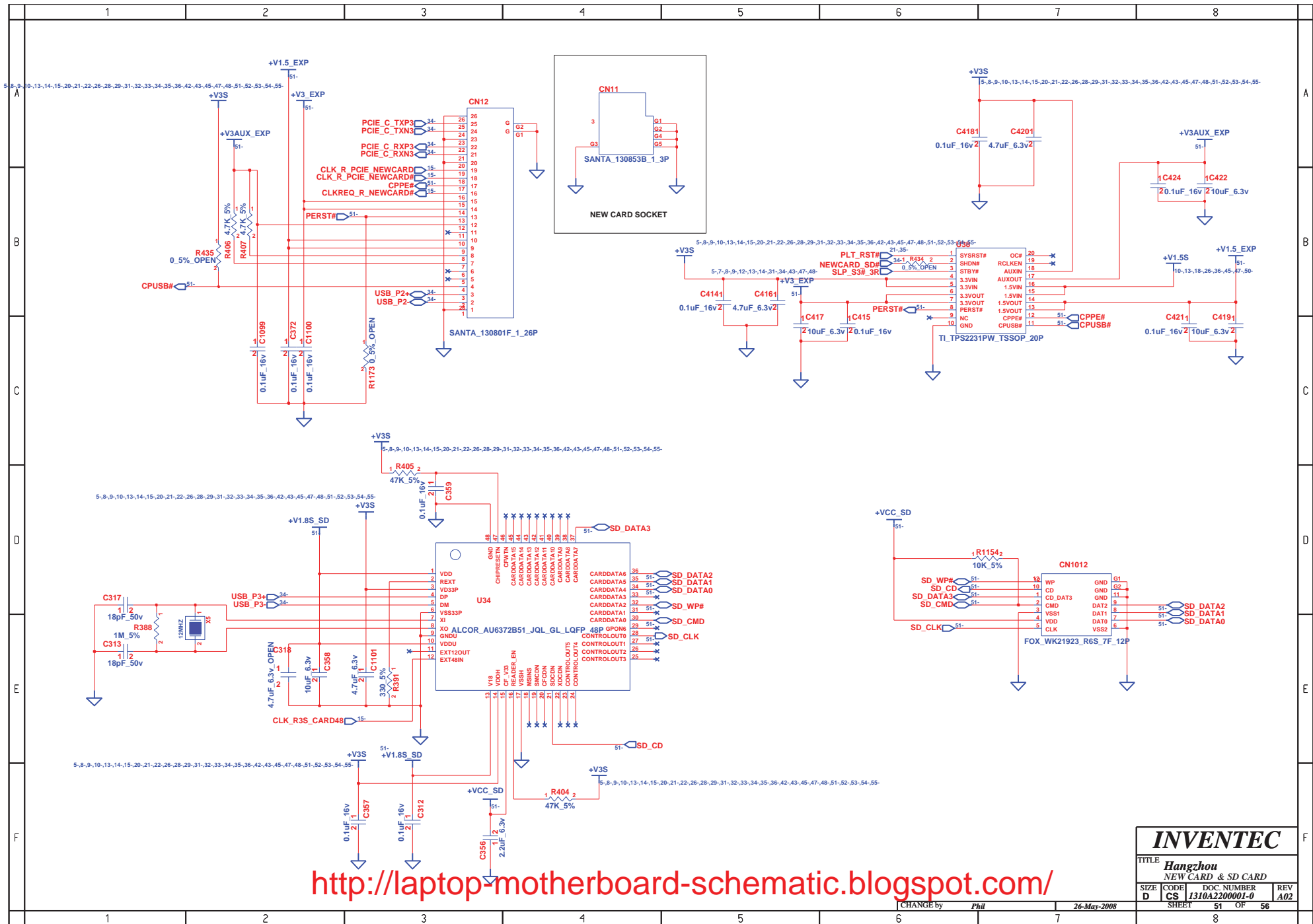
<http://laptop-motherboard-schematic.blogspot.com/>

<b>INVENTEC</b>			
TITLE <i>Hangzhou LAN RJ45 CONN</i>			
SIZE D	CODE CS	DOC. NUMBER 1310A2200001-0	REV A02
CHANGE by Phil		29-May-2008	
SHEET 49		OF 56	



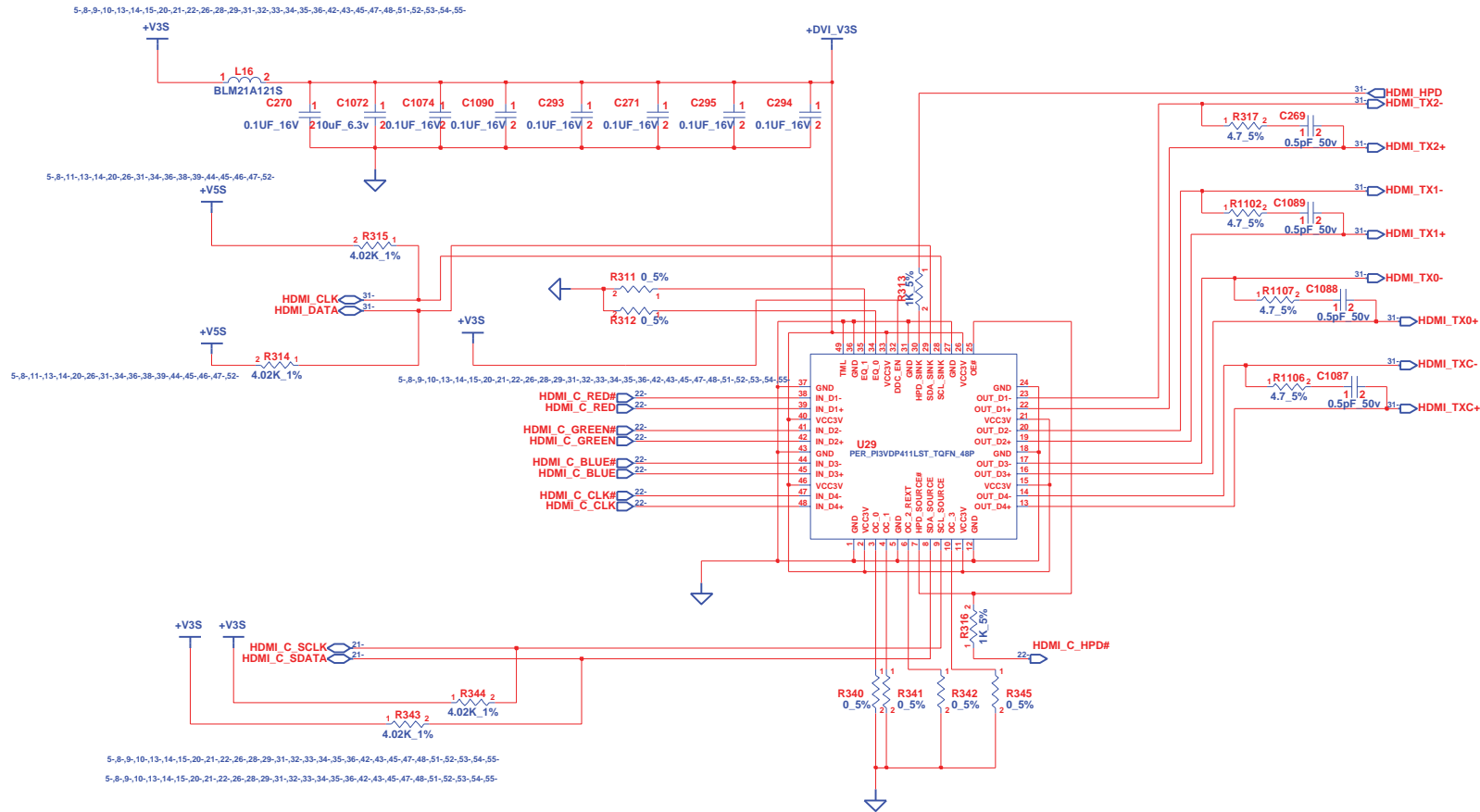
<http://laptop-motherboard-schematic.blogspot.com/>

<b>INVENTEC</b>			
TITLE <b>Hangzhou MINI CARD</b>			
SIZE D	CODE CS	DOC NUMBER 1310A2200001-0	REV A02
CHANGE by Phil		26-May-2008	
SHEET 50		OF 56	



<http://laptop-motherboard-schematic.blogspot.com/>

<b>INVENTEC</b>			
TITLE			
Hangzhou NEW CARD & SD CARD			
SIZE	CODE	DOC. NUMBER	REV
D	CS	1310A2200001-0	A02
CHANGE by		26-May-2008	
SHEET		51	OF 56

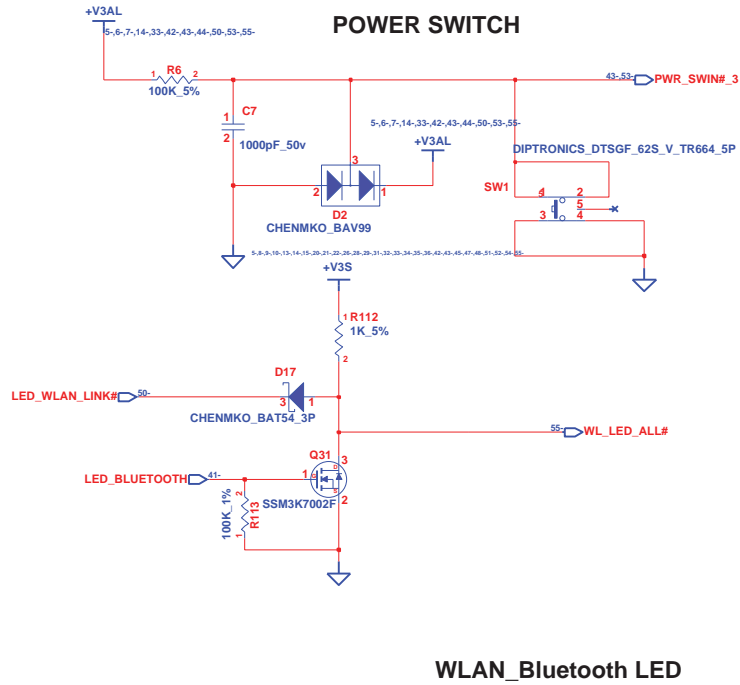
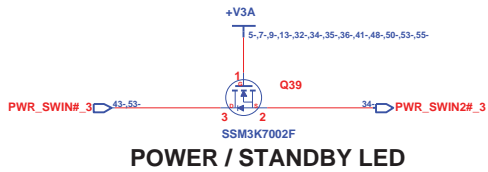
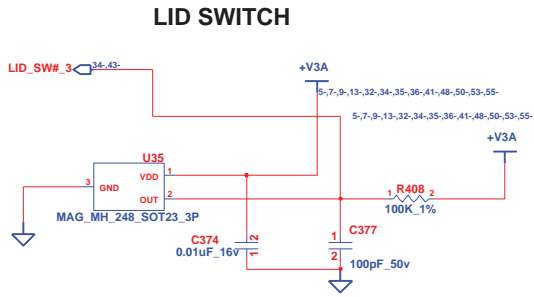


<http://laptop-motherboard-schematic.blogspot.com/>

**INVENTEC**

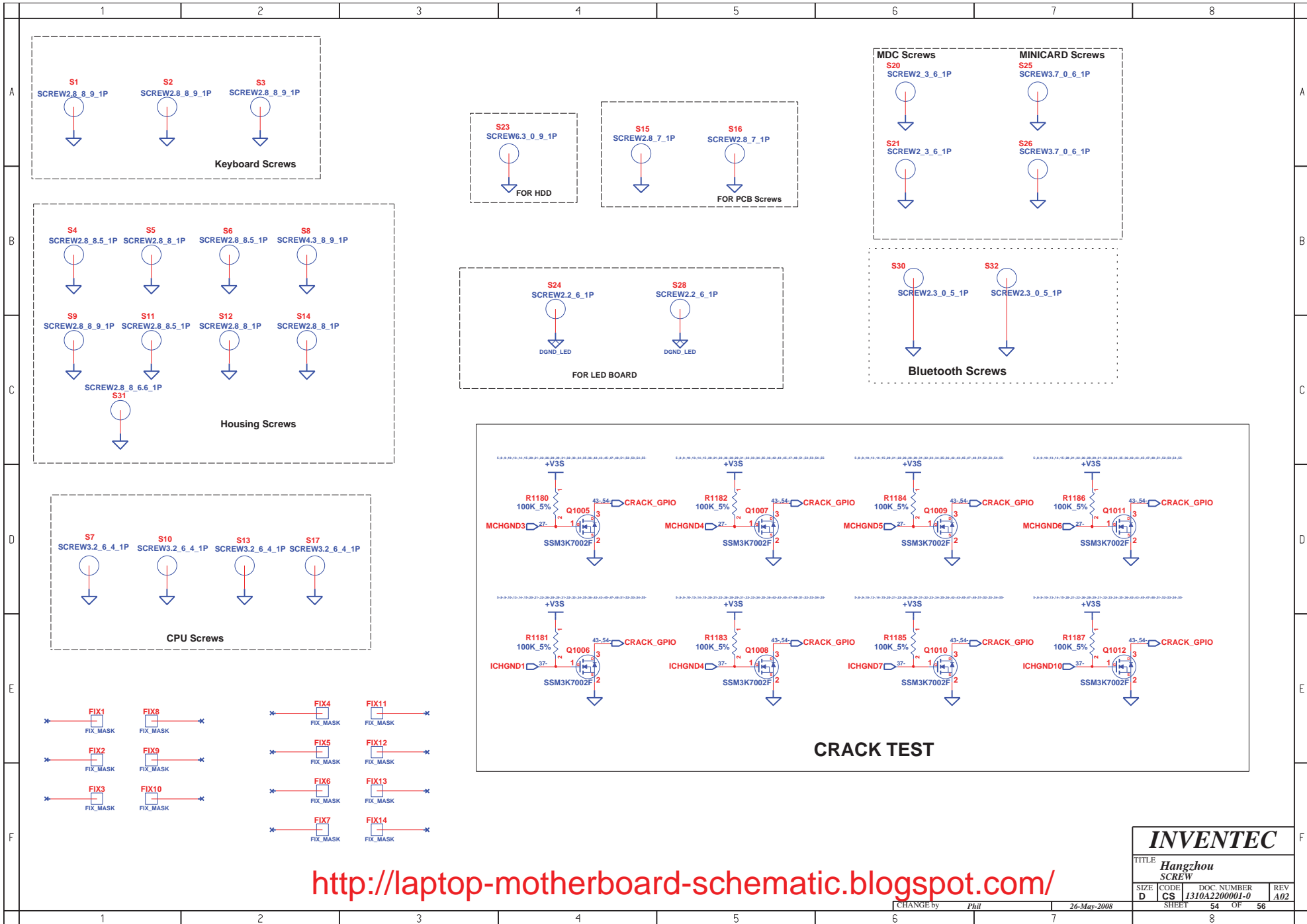
TITLE  
Hangzhou  
HDMI LEVEL SHIFTER

SIZE	CODE	DOC NUMBER	REV
D	CS	1310A2200001-0	A02



<http://laptop-motherboard-schematic.blogspot.com/>

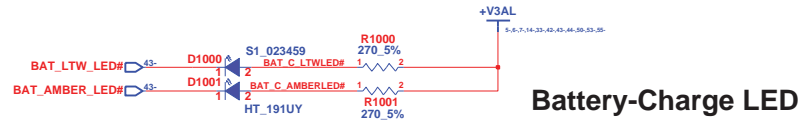
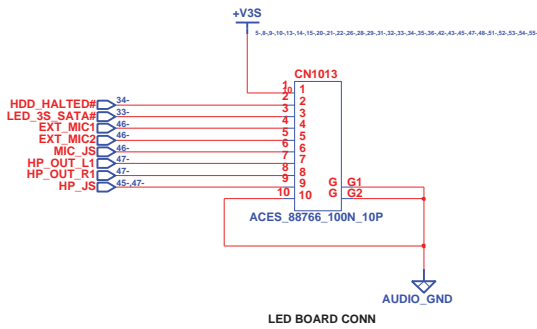
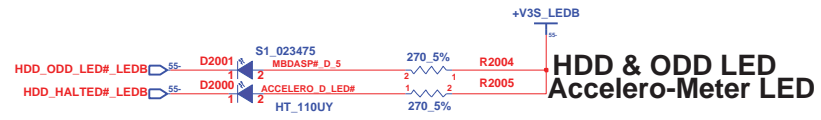
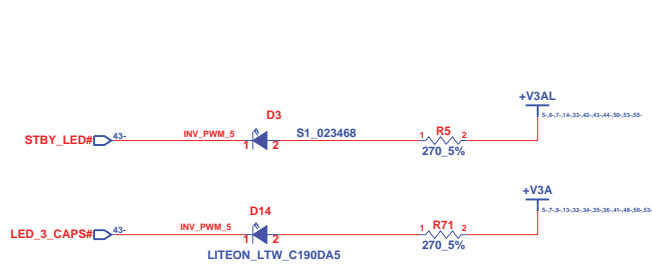
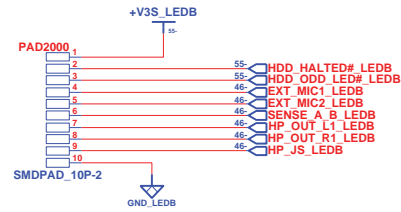
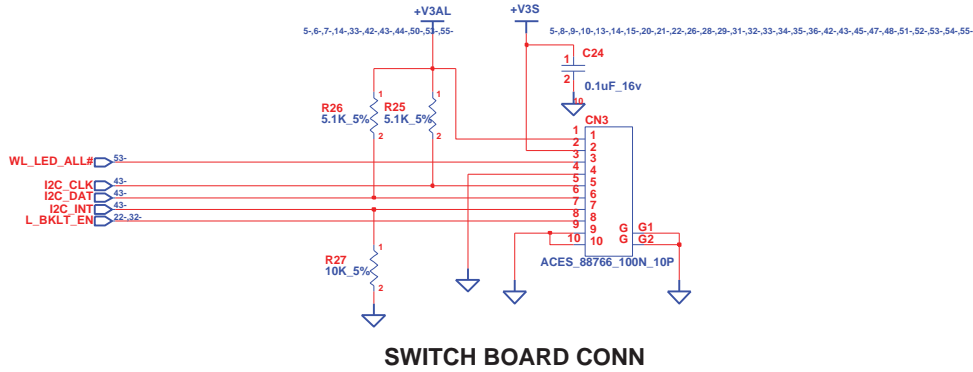
<b>INVENTEC</b>			
TITLE Hangzhou BUTTON&SWITCH&LED			
SIZE D	CODE CS	DOC. NUMBER J310A2200001-0	REV A02
CHANGE by Phil		26-May-2008	
SHEET 53		OF 56	



<http://laptop-motherboard-schematic.blogspot.com/>

<b>INVENTEC</b>			
TITLE Hangzhou SCREW			
SIZE D	CODE CS	DOC NUMBER J310A2200001-0	REV A02
CHANGE by Phil		26-May-2008	
SHEET 54		OF 56	

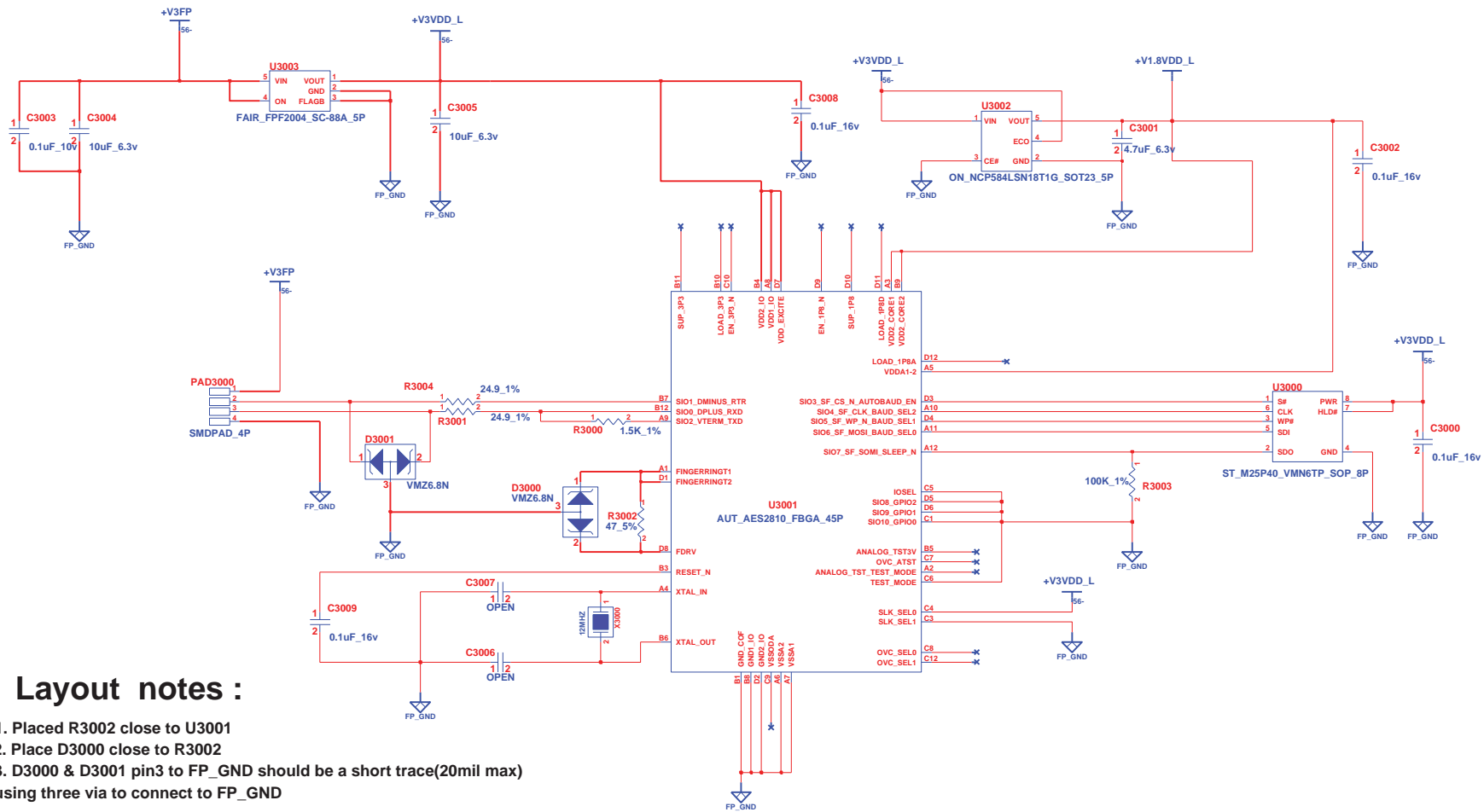
# FOR LED BOARD



<http://laptop-motherboard-schematic.blogspot.com/>

**INVENTEC**

TITLE Hangzhou LED board			
SIZE D	CODE CS	DOC NUMBER J310A2200001-0	REV A02
CHANGE by Phil		26-May-2008	
SHEET 55		OF 56	



# FINGER PRINT READER DAUGHTER BOARD

<http://laptop-motherboard-schematic.blogspot.com/>

**INVENTEC**

TITLE Hangzhou Finger Print board			
SIZE D	CODE CS	DOC NUMBER I310A2200001-0	REV A02



# HANGZHOU 1.0

## SWITCH BOARD KV

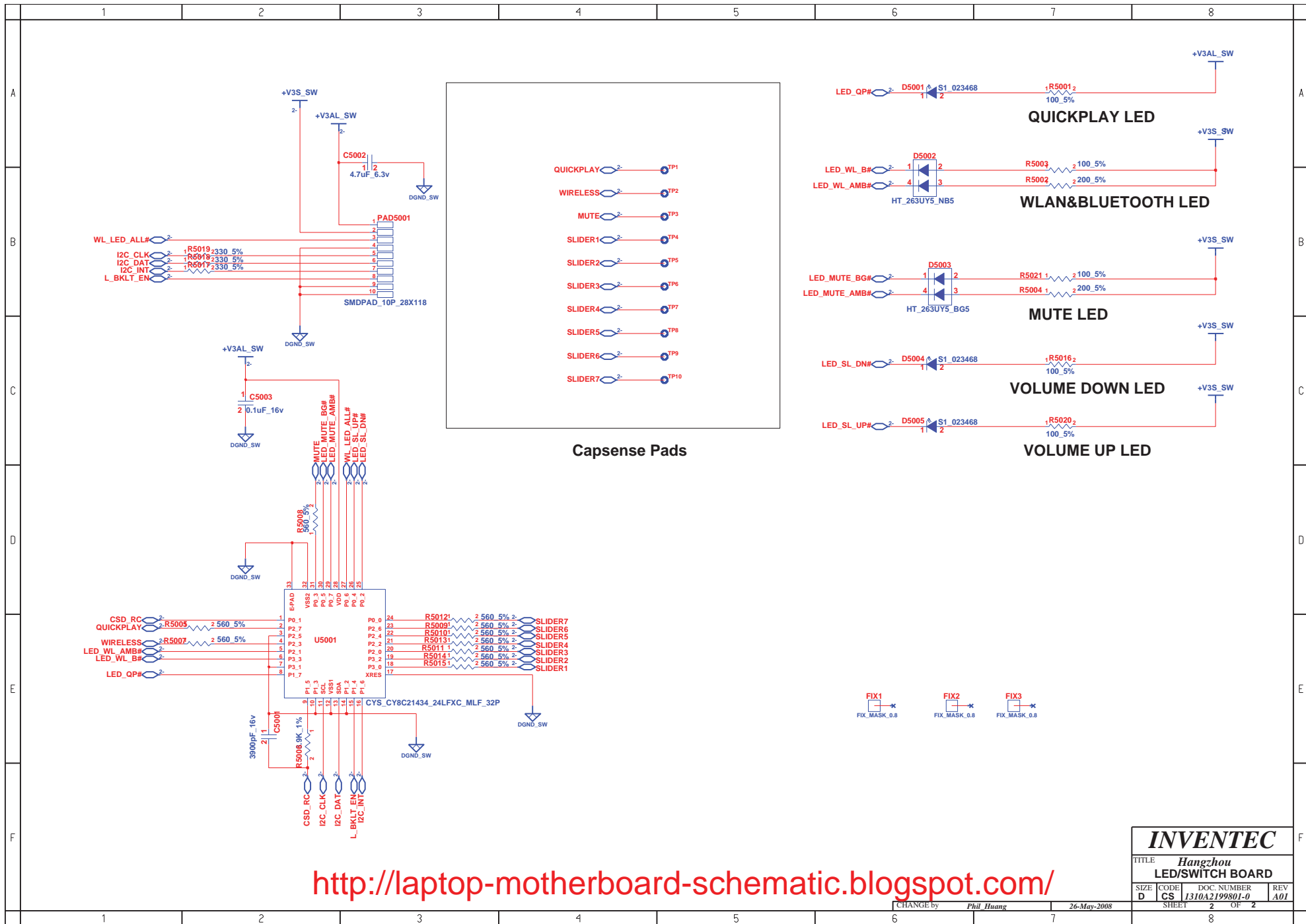
**MV BUILD 2008.05.26**

DATE	CHANGE NO.	REV
2007/06/20	2007-ECO-009981	C
2007/06/20	2007-ECO-009978	B
2007/06/13	INITIAL	A

DRAWER	EE	DATE	POWER	DATE
DESIGN	Chang, Sean	2007-MAY-08	---	---
CHECK	Chang, Sean	2007-MAY-08	---	---
RESPONSIBLE	Chen, Te-Yu	2007-MAY-08	---	---
FILE NAME	SUZHOU10-6050A2141901-01-20070508			
P/N	6050A2141901			

<b>INVENTEC</b>			
TITLE <b>Hangzhou</b>			
SIZE <b>D</b>	CODE <b>CS</b>	DOC NUMBER <b>1310A2199801-0</b>	REV <b>A02</b>
SHEET <b>1</b>		OF <b>2</b>	

<http://laptop-motherboard-schematic.blogspot.com/>



<http://laptop-motherboard-schematic.blogspot.com/>

<b>INVENTEC</b>			
TITLE <i>Hangzhou</i> <b>LED/SWITCH BOARD</b>			
SIZE	CODE	DOC. NUMBER	REV
D	CS	1310A2199801-0	A01
CHANGE by		26-May-2008	SHEET 2 OF 2
Phil Huang			8

# HANGZHOU 1.0

## SWITCH BOARD AN

### MV BUILD

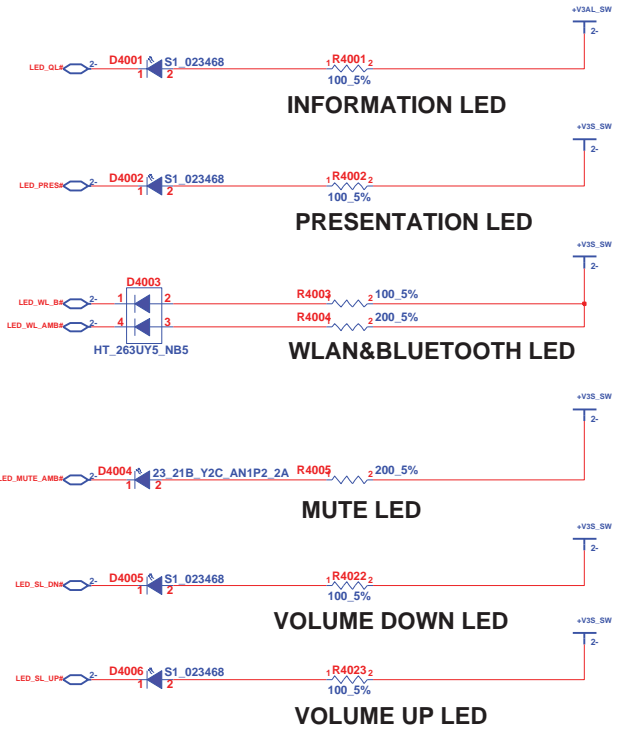
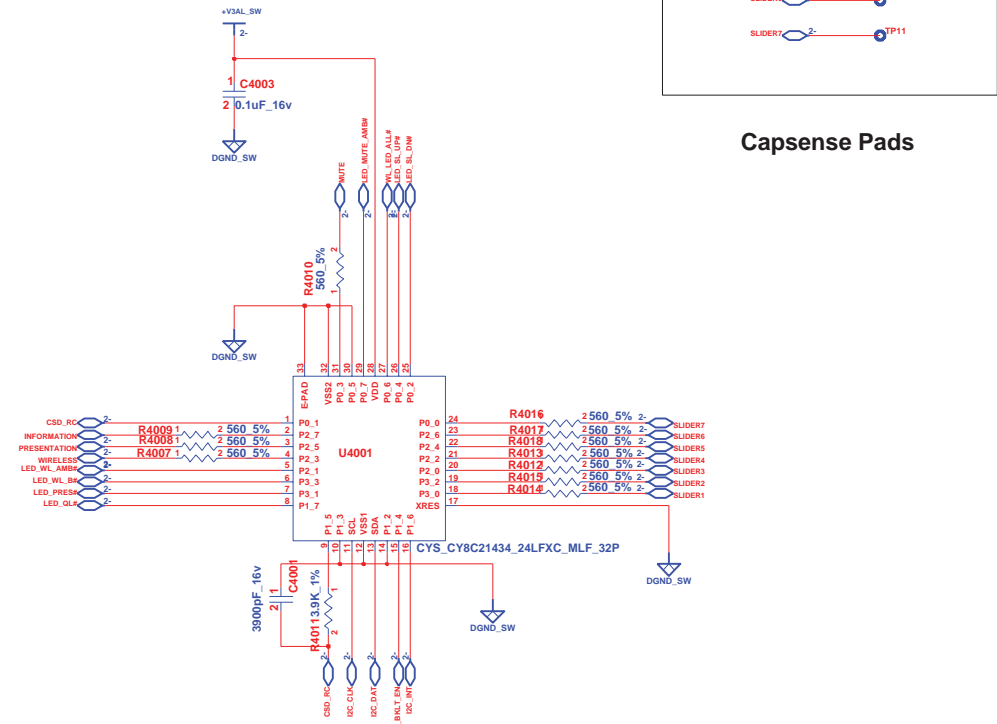
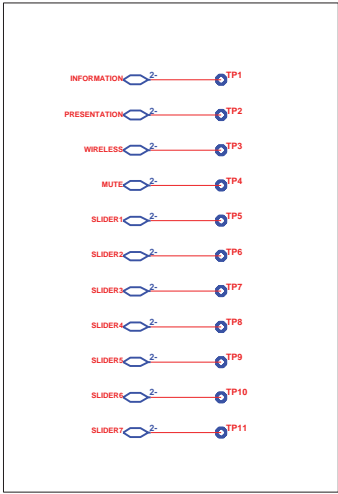
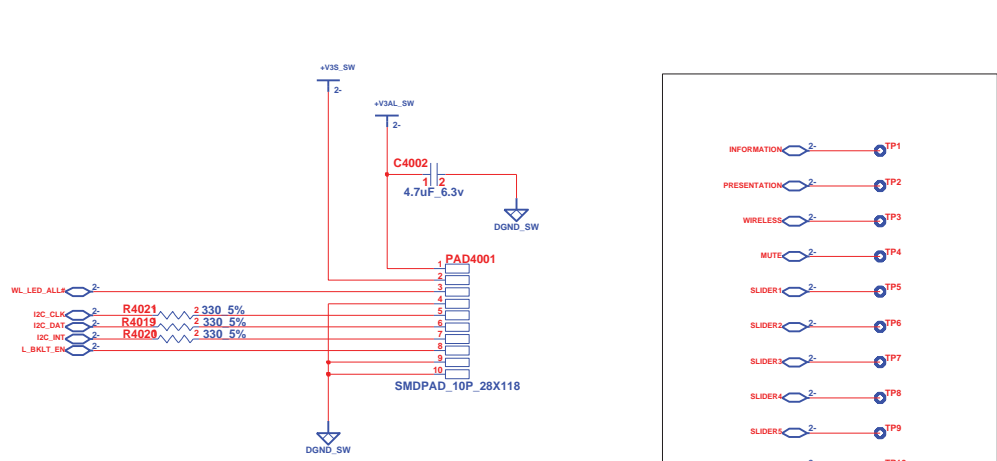
2008.05.26

2007/06/23	2007-ECO-010472	D
2007/06/21	2007-ECO-010109	C
2007/06/20	2007-ECO-009978	B
2007/06/13	2007-ECO-009740	A
2007/05/09	2007-ECO-007323	AX6
2007/05/05	2007-ECO-007097	AX5
2007/04/18	2007-ECO-006054	AX4
2007/04/02	2007-ECO-004949	AX3
2007/03/27	2007-ECO-004662	AX2
2007/03/26	2007-ECO-004581	AX1
2007/02/16	INITIAL	X01
DATE	CHANGE NO.	REV

EE	DATE	POWER	DATE
DRAWER	Chang, Sean	2007-JUN-01	---
DESIGN	Chang, Sean	2007-JUN-01	---
CHECK	Chen, Te-Yu	2007-JUN-01	---
RESPONSIBLE	Chen, Te-Yu	2007-JUN-01	---
FILE NAME	SUZHOU16-6050A-01-2001-WB-A03-20070601		
P/N	6050A2142001		
VER	A03		

<b>INVENTEC</b>			
TITLE			
Hangzhou			
SIZE	CODE	DOC NUMBER	REV
D	CS	1310A2200101-0	A02
SHEET		1 OF 2	

<http://laptop-motherboard-schematic.blogspot.com/>



<http://laptop-motherboard-schematic.blogspot.com/>

<b>INVENTEC</b>			
TITLE <b>Hangzhou LED/SWITCH BOARD</b>			
SIZE <b>D</b>	CODE <b>CS</b>	DOC. NUMBER <b>1310A2200101-0</b>	REV <b>A02</b>
CHANGE by <i>Phil Huang</i>		26-May-2008	
SHEET <b>2</b>		OF <b>2</b>	