

<http://hobi-elektronika.net>

ORION

VCC_PEG_BUILD

2007.12.03

DATE	CHANGE NO.	REV

DRAWER	EE	DATE	POWER	DATE	INVENTEC			
DESIGN					TITLE ORION			
CHECK								
RESPONSIBLE								
SIZE =	3			VER :				
FILE NAME :	XXXX-XXXXXX-XX				SIZE	CODE	DOC. NUMBER	REV
P/N	XXXXXXXXXXXX				A3	CS	Model No	X01
					SHEET	1	OF	65

<http://hobi-elektronika.net>

TABLE OF CONTENTS

PAGE

- 5- DC& BATTERY CHARGER
- 6- BATTERY CONN
- 7- SYSTEM POWER(3V/5V)
- 8- SYSTEM POWER(+V1.8/+V1.25S)
- 9- SYSTEM POWER(+V1.5S/+VCCP)
- 10- CPU POWER(VCC_CORE)
- 11- DDR TERMINATION VOLTAGE
- 12- POWER(SLEEP)
- 13- POWER(SEQUENCE)
- 14- CLOCK_GENERATOR
- 15- MEROM-1
- 16- MEROM-2
- 17- MEROM-3
- 18- MEROM-4
- 19- THERMAL&FAN CONTROLLER
- 20- CRESTKINE-1
- 21- CRESTLINE-2
- 22- CRESTLINE-3
- 23- CRESTLINE-4
- 24- CRESTLINE-5
- 25- CRESTLINE-6
- 26- DDR2-DIMM0
- 27- DDR2-DIMM1
- 28- DDR2-DAMPING

PAGE

- 29- MXM CONN
- 30- CRT& HDMI CONN
- 31- LCD CONN
- 32- ICH8-1
- 33- ICH8-2
- 34- ICH8-3
- 35- ICH8-4
- 36- ICH8-5
- 37- KBC
- 38- CIR CONTROLLER
- 39- SPI BIOS
- 40- KEYBOARD CONN.
- 41- FINGER PRINTER BOARD
- 42- HDA CODEC
- 43- AUDIO JACK SENSE
- 44- SUBWOOFER
- 45- HP,MIC&7.1 JACK
- 46- SPEAKER CONN
- 47- ESATA/SATA CONN
- 48- ODD CONN
- 49- USB CONN
- 50- 5 IN 1/1394 CONTROLLER

PAGE

- 51- 5 in 1/1394 CONN
- 52- EXPRESSCARD CONN
- 53- WLAN/SPARE MINI-CARD
- 54- LAN INTERFACE
- 55- TRANSFORMER&RJ45 CONN
- 56- DOCKING CONN
- 57- SCREW
- 58- TV TUNER CONN
- 59- WABCAM CONN
- 60- BLUETOOTH CONN
- 61- PWR&LID SWITCH & LEDS
- 62- LED/SWITCH CONN
- 63- DAUGHTER BOARDS
- 64- SWITCH BOARD (R)
- 65- SWITCH BOARD (L)

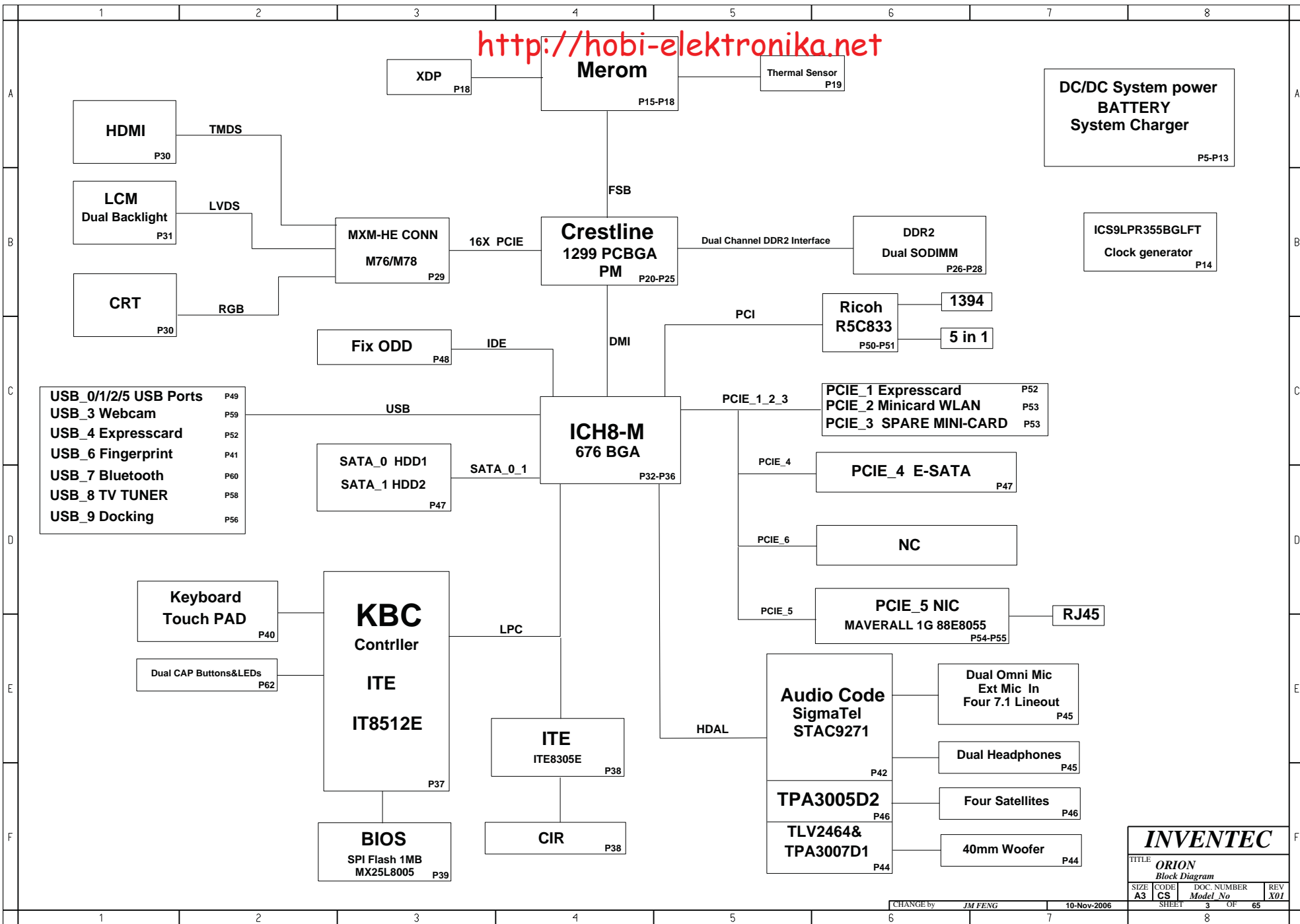
INVENTEC

TITLE
ORION

SIZE A3	CODE CS	DOC. NUMBER <i>Model No</i>	REV X01
SHEET		2	OF 65

CHANGE by *JM FENG* 12-Feb-2007

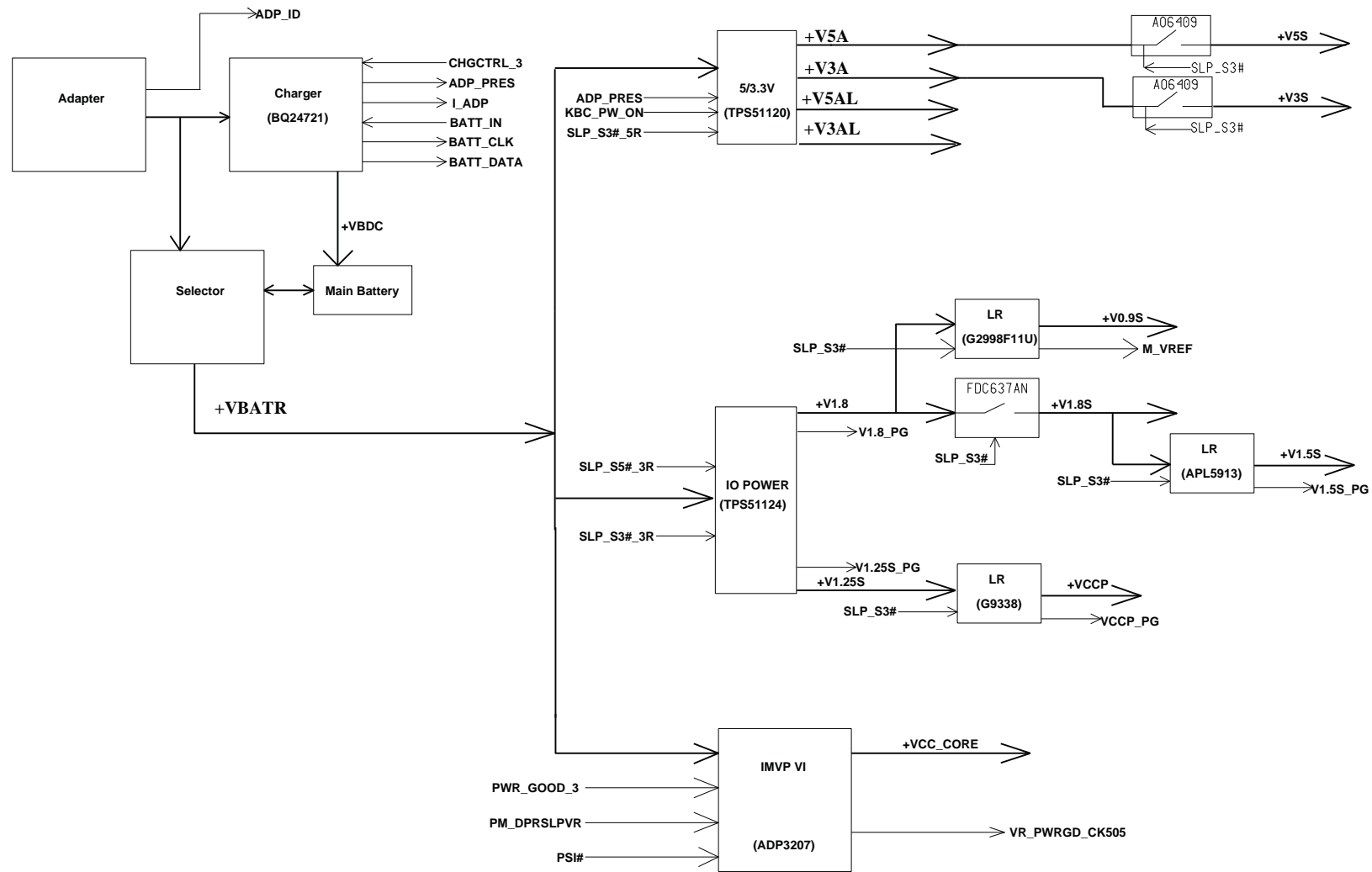
<http://hobi-elektronika.net>



INVENTEC			
TITLE ORION Block Diagram			
SIZE A3	CODE CS	DOC. NUMBER Model No	REV Y01
SHEET 3		OF 65	

CHANGE by JM FENG 10-Nov-2006

<http://hobi-elektronika.net>



INVENTEC

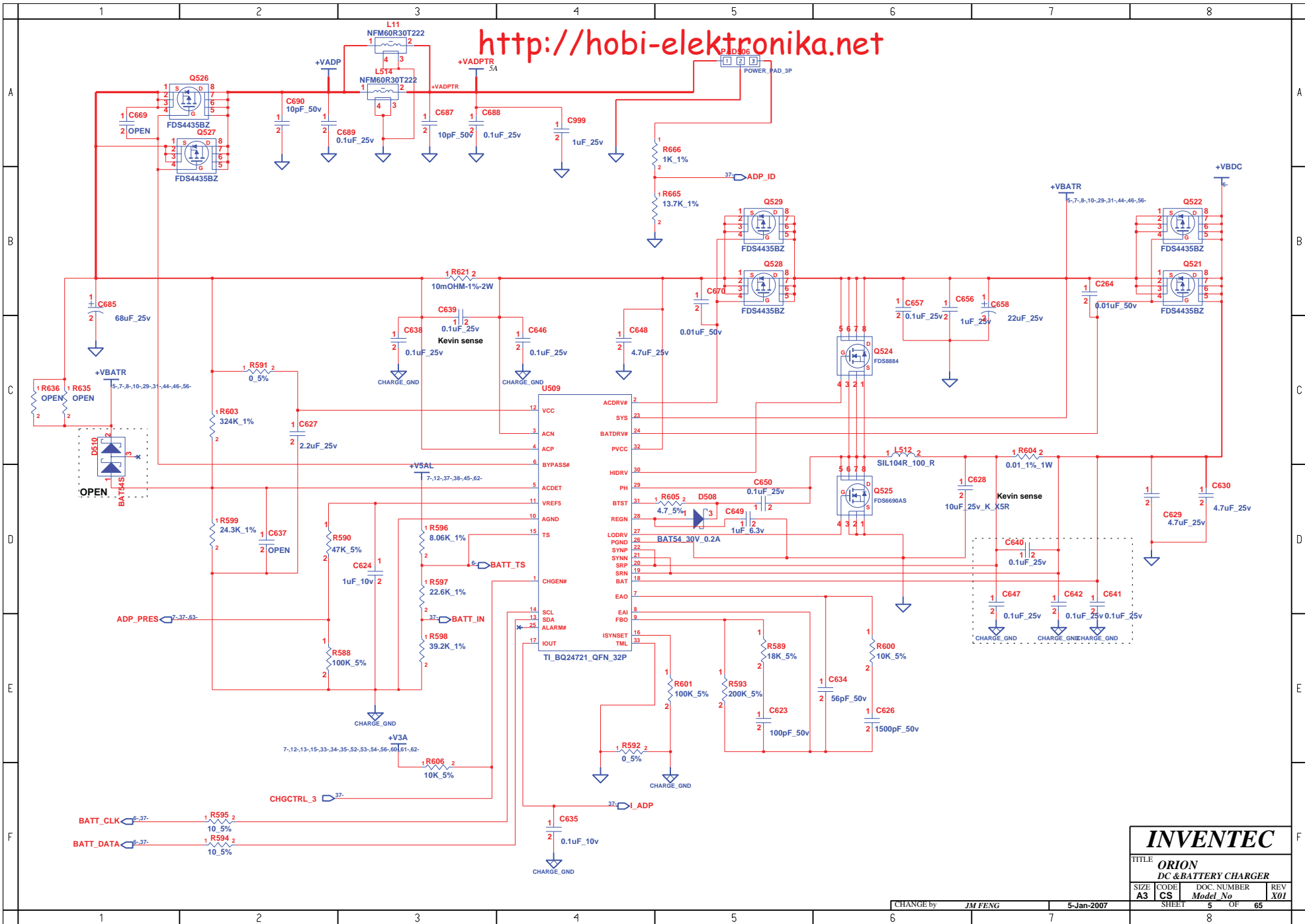
TITLE **ORION**

SIZE A3	CODE CS	DOC. NUMBER <i>Model No</i>	REV X01
-------------------	-------------------	--------------------------------	-------------------

CHANGE by *JM FENG* 1-Nov-2006

SHEET 4 OF 65

<http://hobi-elektronika.net>



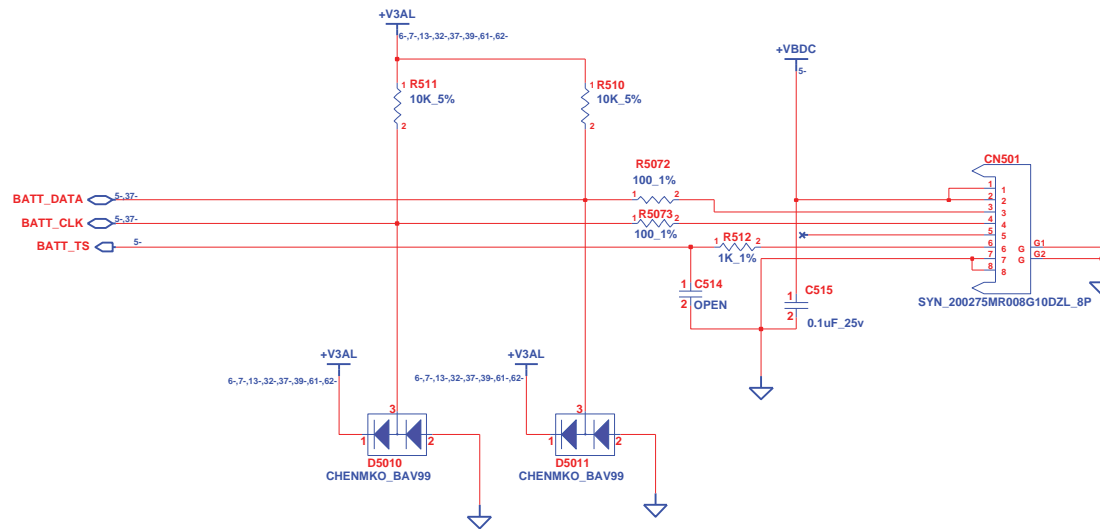
INVENTEC

TITLE
**ORION
DC & BATTERY CHARGER**

SIZE A3	CODE CS	DOC. NUMBER <i>Model No</i>	REV X01
-------------------	-------------------	--------------------------------	-------------------

CHANGE by *JM FENG* 5-Jan-2007

<http://hobi-elektronika.net>

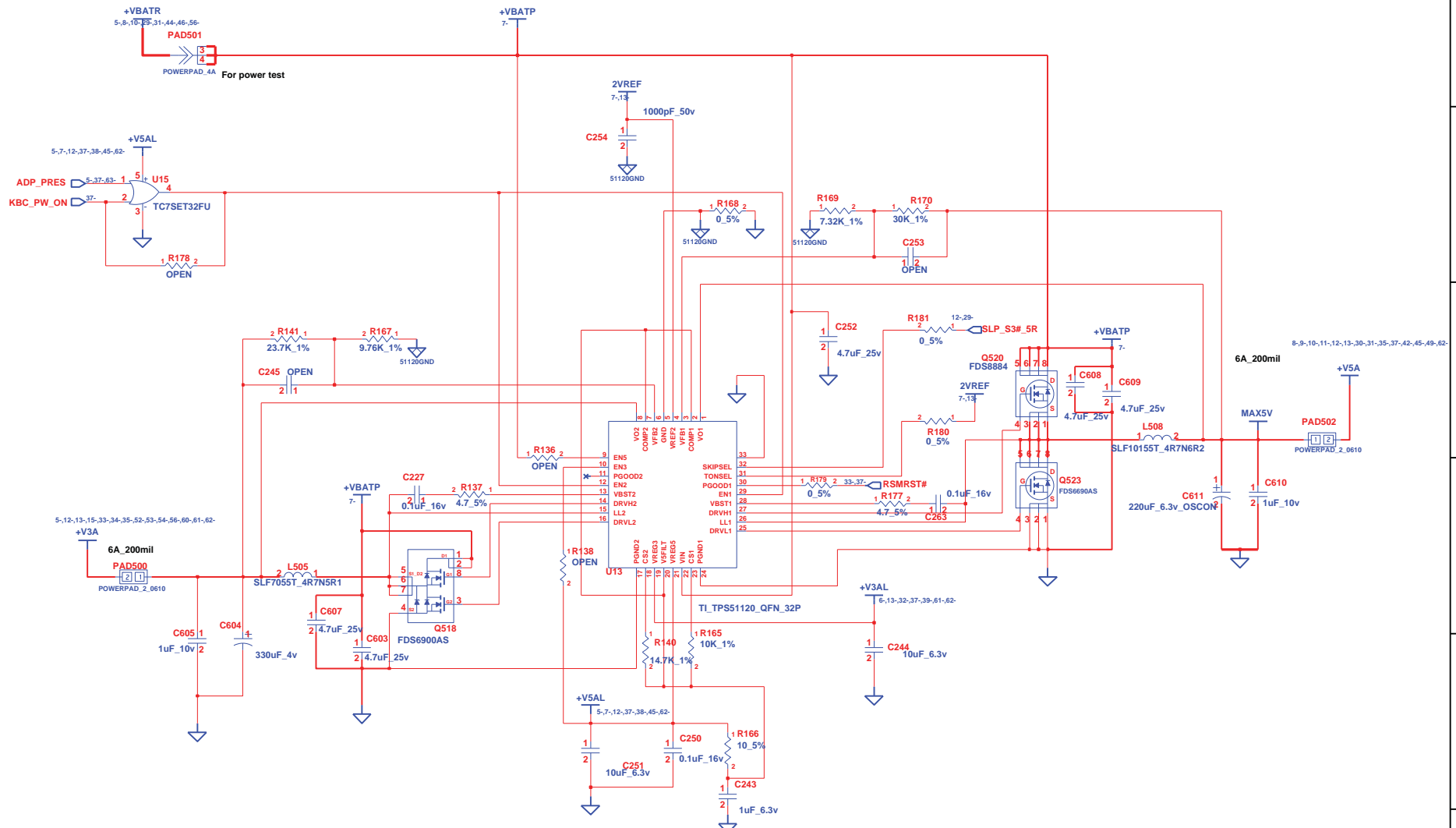


INVENTEC

TITLE			
ORION			
BATTERY CONN			
SIZE	CODE	DOC. NUMBER	REV
A3	CS	Model No	X01
SHEET		OF	65
6		8	

CHANGE by JM FENG 5-Jan-2007

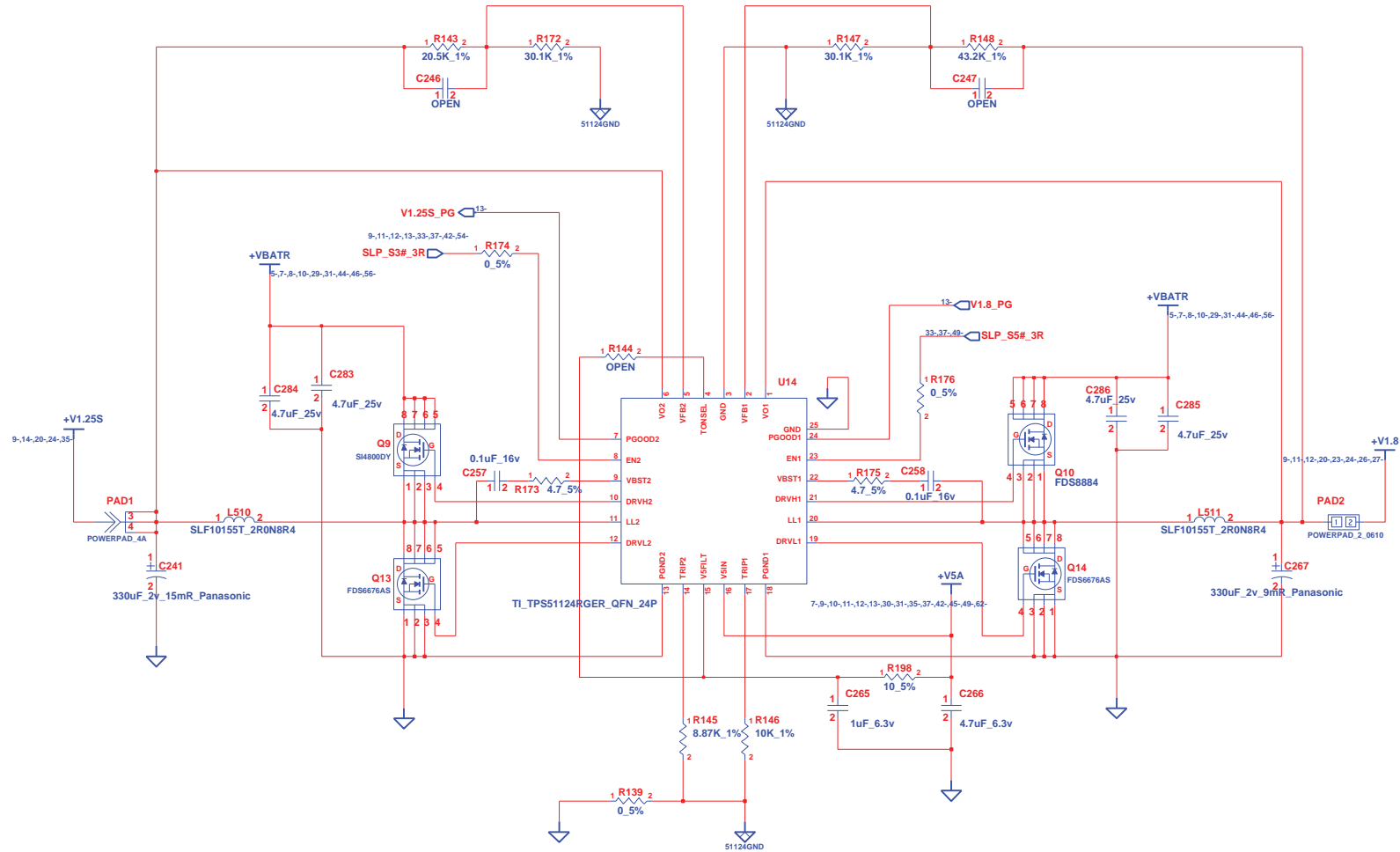
<http://hobi-elektronika.net>



INVENTEC

TITLE			
ORION			
SYSTEM POWER(3V/5V)			
SIZE	CODE	DOC. NUMBER	REV
A3	CS	Model No	X01
CHANGE by		JM FENG	21-Jun-2007
SHEET		7	OF 65

<http://hobi-elektronika.net>

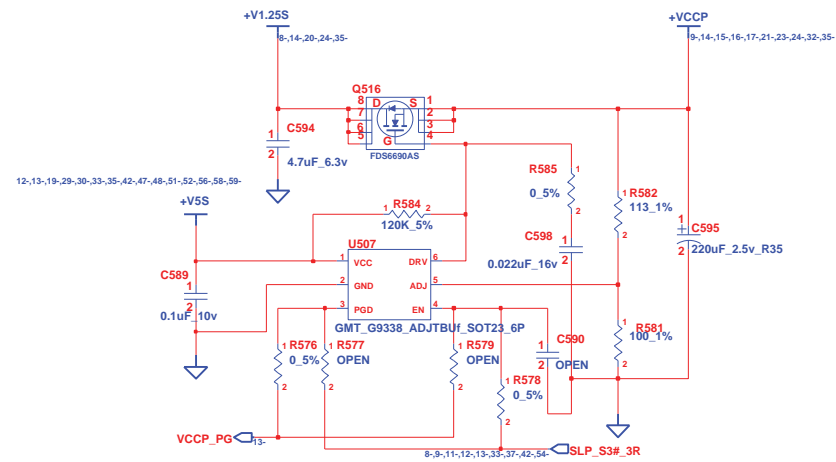
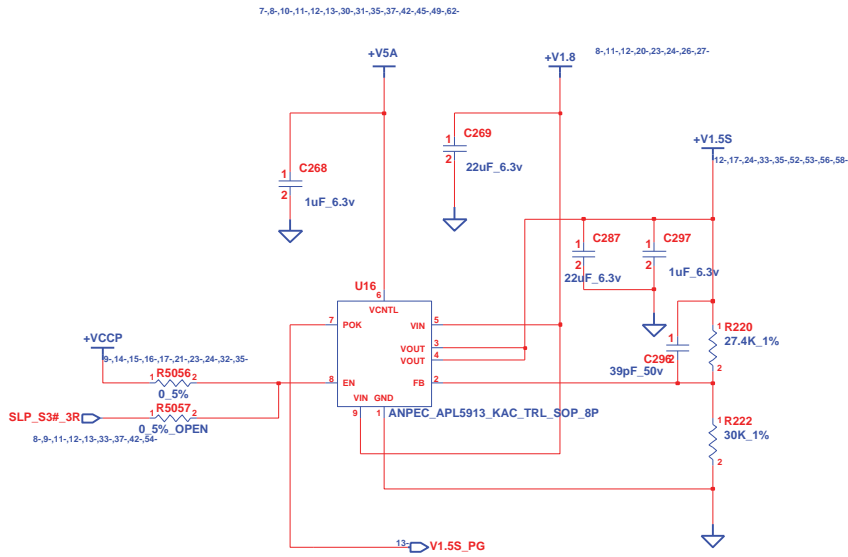


INVENTEC

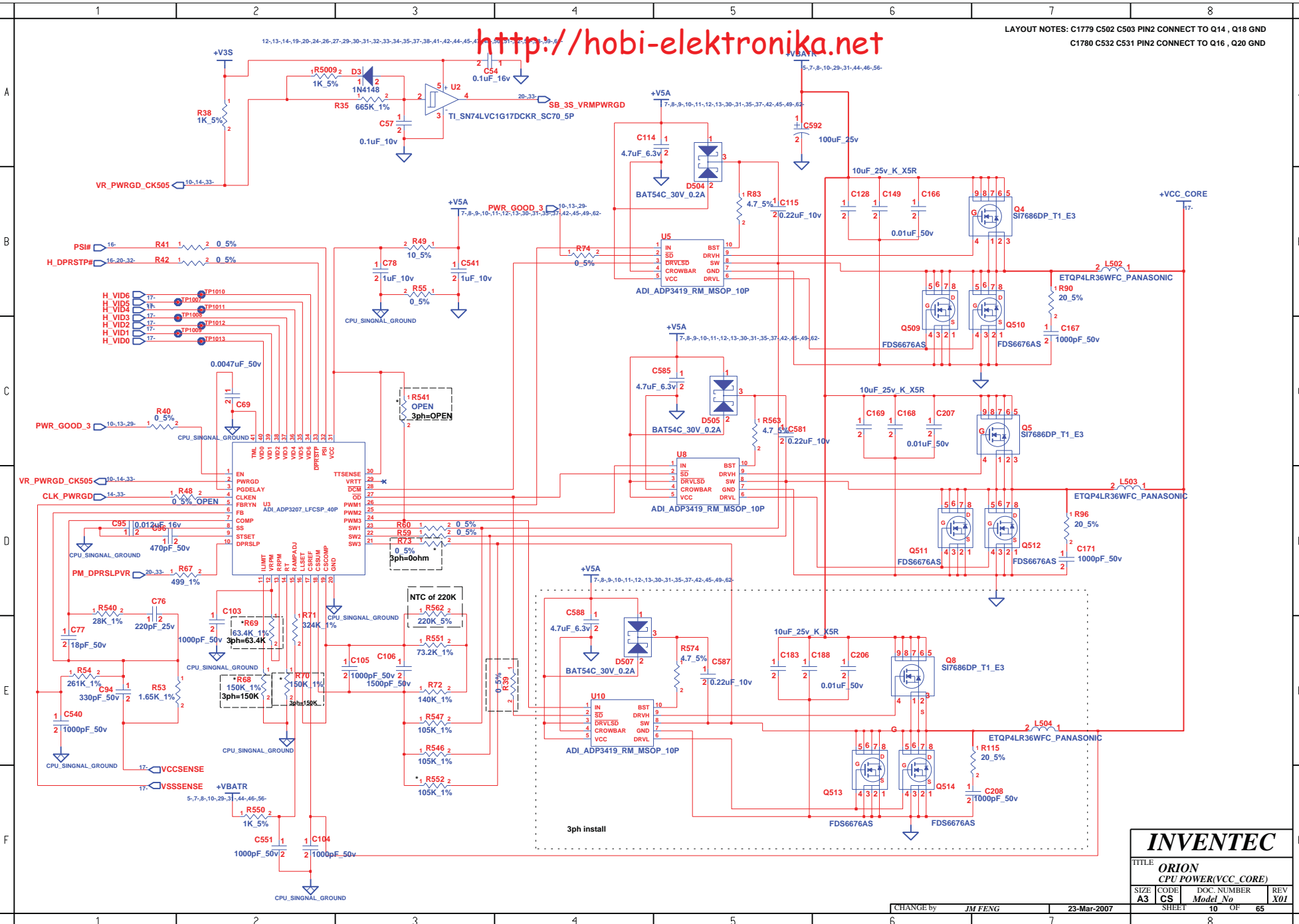
TITLE			
ORION			
SYSTEM POWER(+V1.8/+V1.25S)			
SIZE	CODE	DOC. NUMBER	REV
A3	CS	Model No	X01
SHEET			OF
8			65

CHANGE by JM FENG 16-Feb-2007

<http://hobi-elektronika.net>

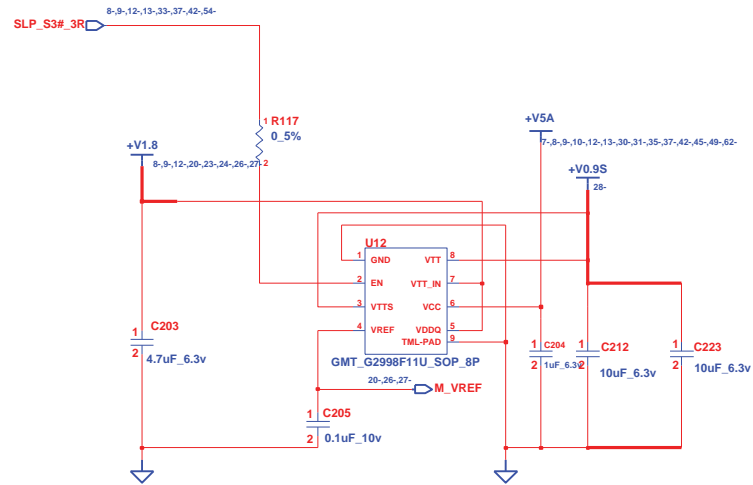


INVENTEC			
TITLE ORION			
SYSTEM POWER(+V1.5S/+VCCP)			
SIZE A3	CODE CS	DOC. NUMBER <i>Model No</i>	REV X01
CHANGE by JM FENG		DATE 16-May-2007	
SHEET		OF 65	
		8	



INVENTEC			
TITLE ORION CPU POWER(VCC_CORE)			
SIZE A3	CODE CS	DOC NUMBER <i>Model No</i>	REV X01
SHEET 10		OF 65	

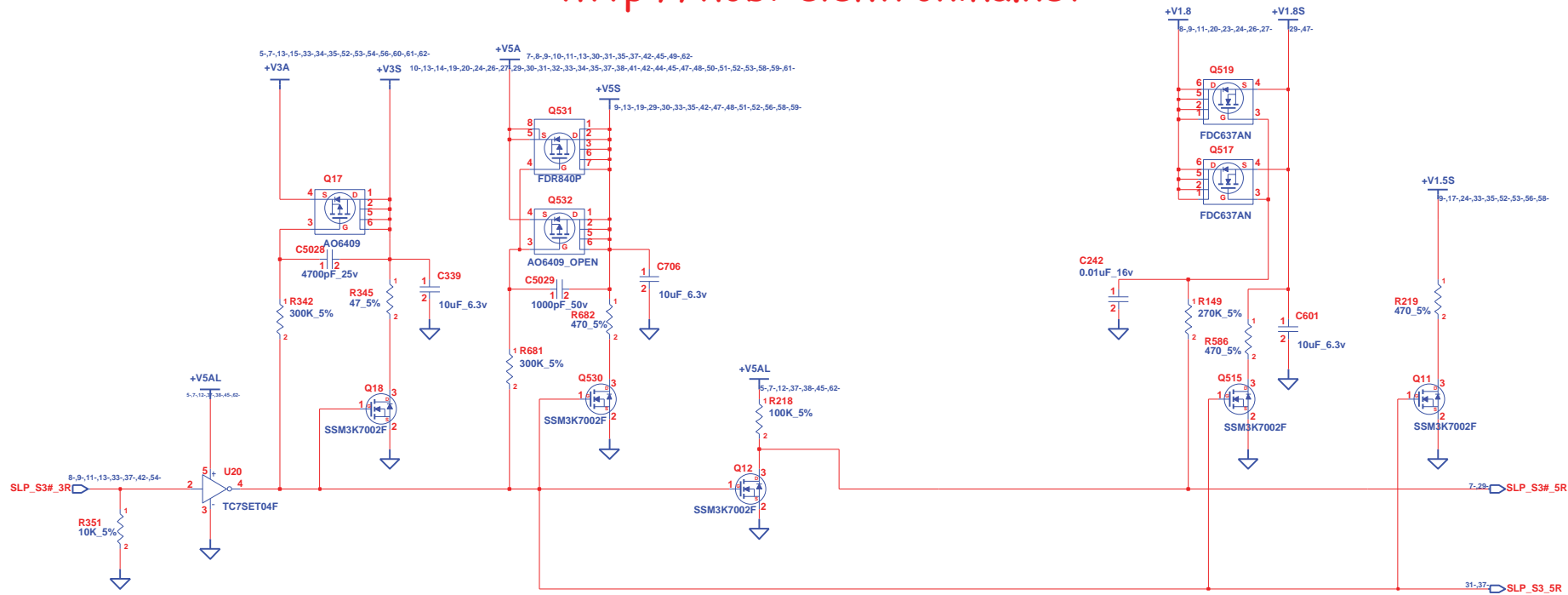
<http://hobi-elektronika.net>



NOTE: DDR2 REGULATOR

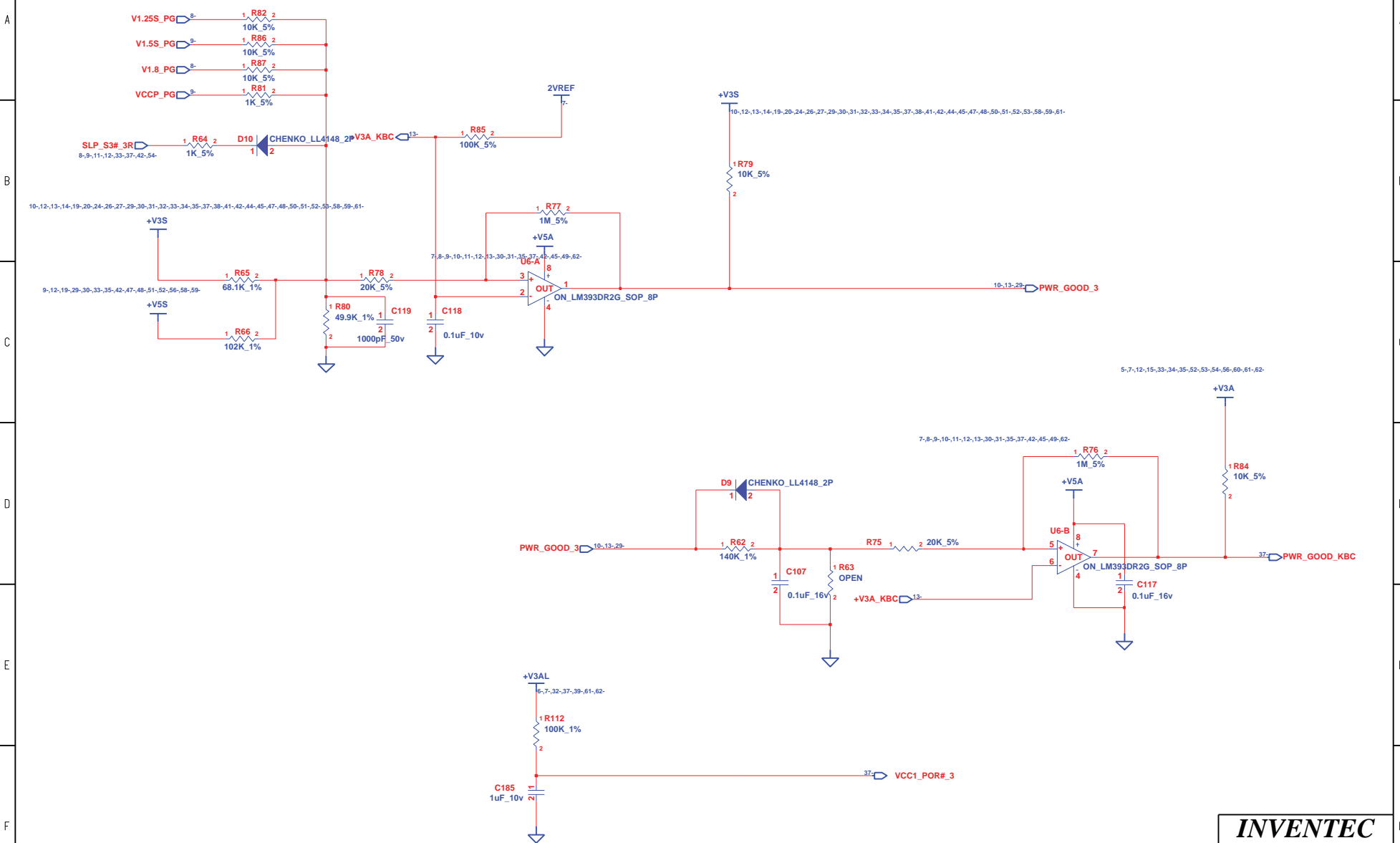
INVENTEC			
TITLE ORION DDR TERMINATION VOLTAGE			
SIZE A3	CODE CS	DOC. NUMBER <i>Model No</i>	REV X01
CHANGE by <i>JM FENG</i>		27-Oct-2006	SHEET 11 OF 65

<http://hobi-elektronika.net>



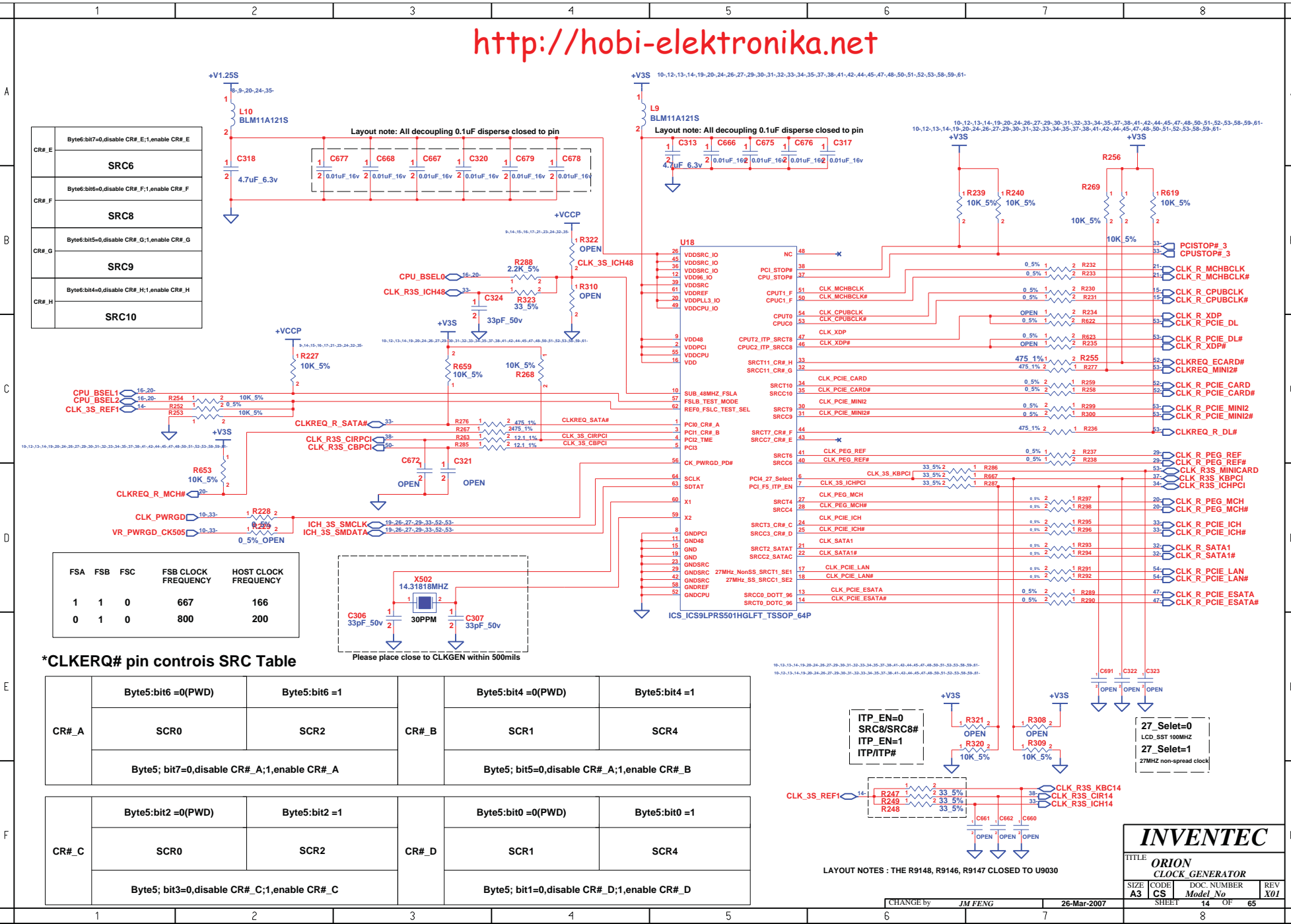
INVENTEC			
TITLE ORION POWER(SLEEP)			
SIZE A3	CODE CS	DOC. NUMBER <i>Model No</i>	REV X01
CHANGE by JM FENG		DATE 16-May-2007	
SHEET 12		OF 65	

<http://hobi-elektronika.net>



INVENTEC			
TITLE ORION POWER(SEQUENCE)			
SIZE A3	CODE CS	DOC. NUMBER <i>Model No</i>	REV X01
CHANGE by JM FENG		25-Oct-2006	
SHEET 13		OF 65	

<http://hobi-elektronika.net>



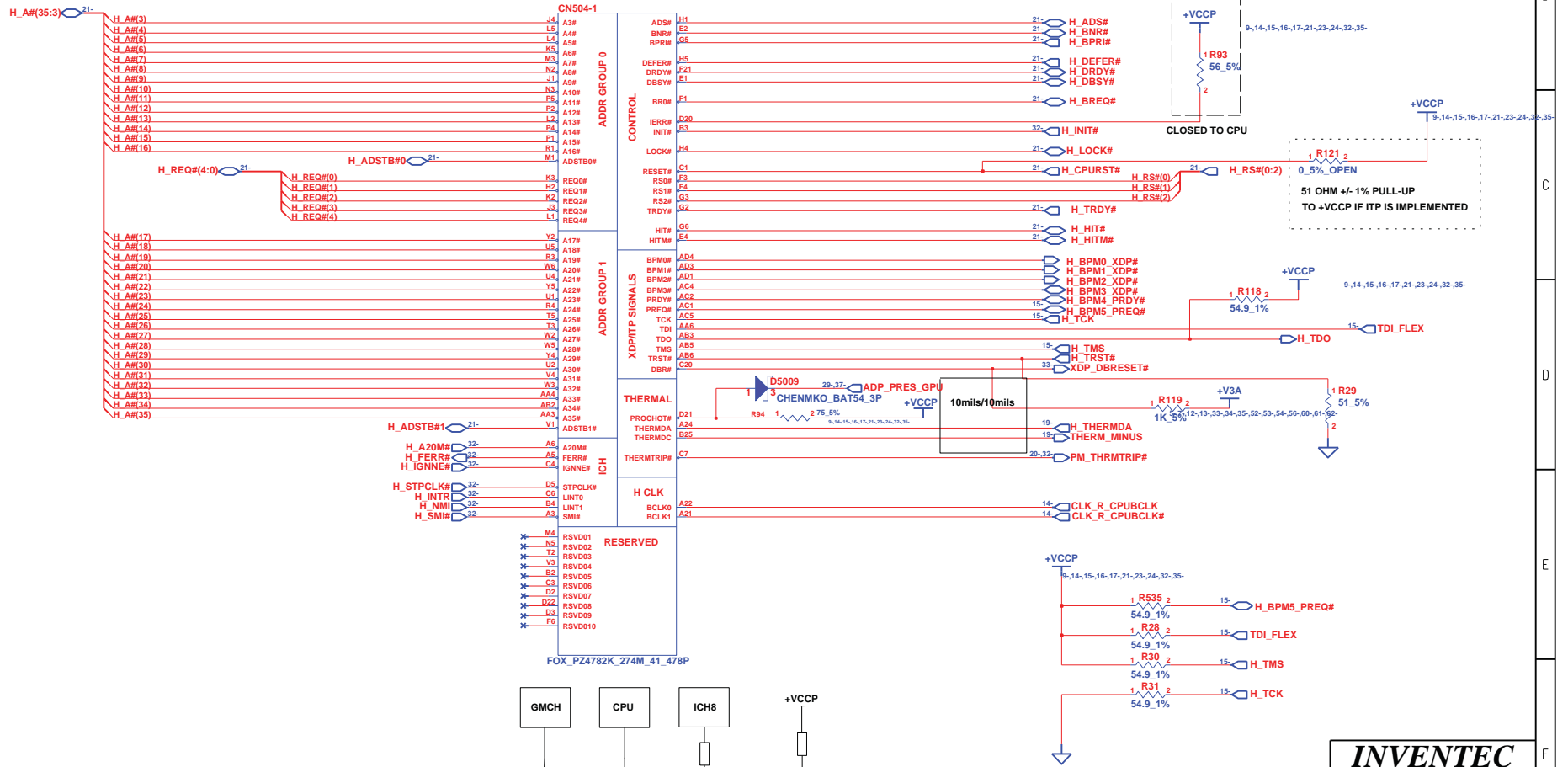
INVENTEC

TITLE: **ORION CLOCK GENERATOR**

SIZE	CODE	DOC. NUMBER	REV
A3	CS	Model No	X01

SHEET 14 OF 65

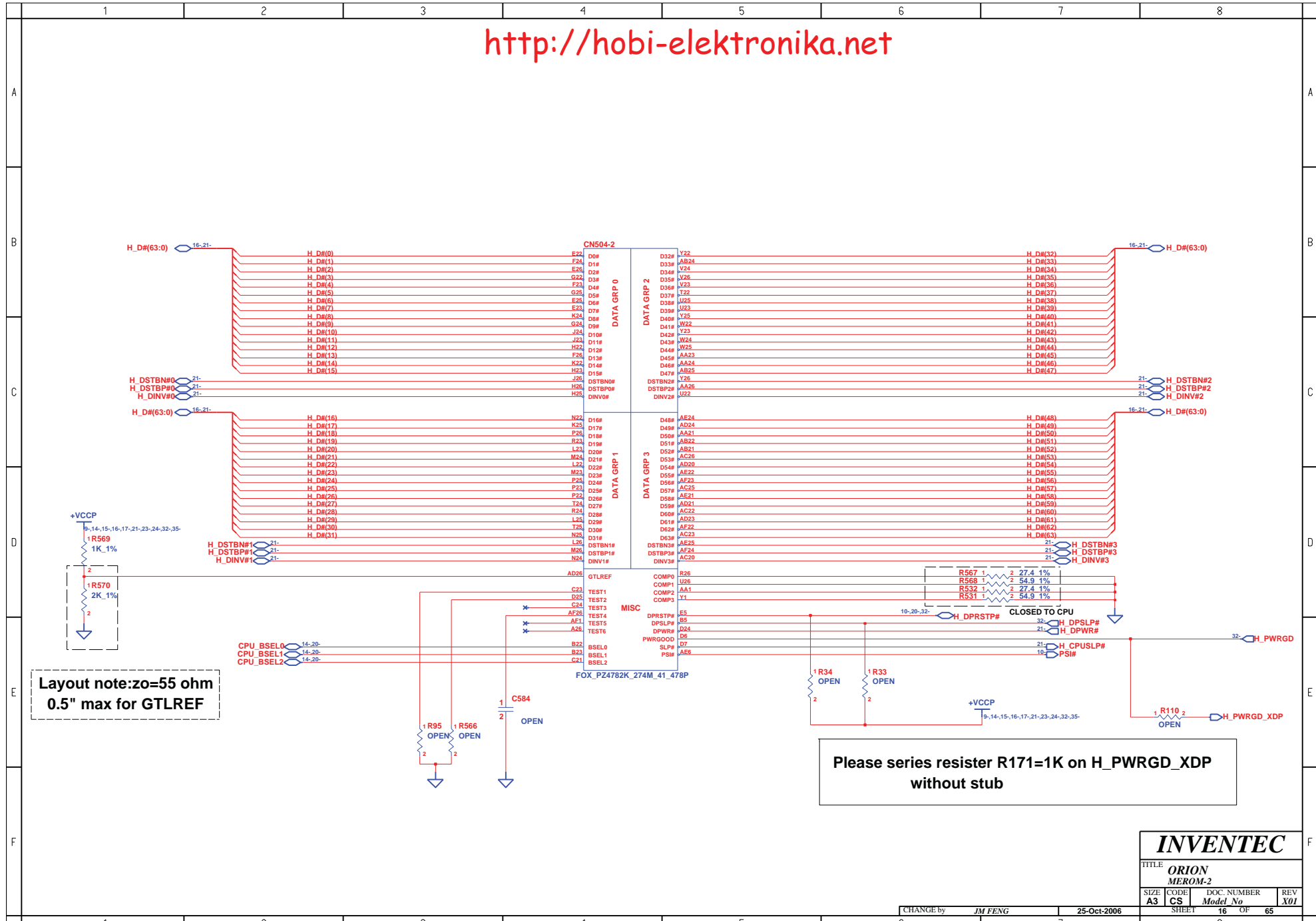
<http://hobi-elektronika.net>



PM_THRMTRIP# should be T at CPU

INVENTEC

TITLE			
ORION			
MEROM-1			
SIZE	CODE	DOC. NUMBER	REV
A3	CS	Model No	X01



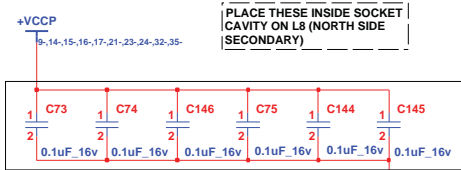
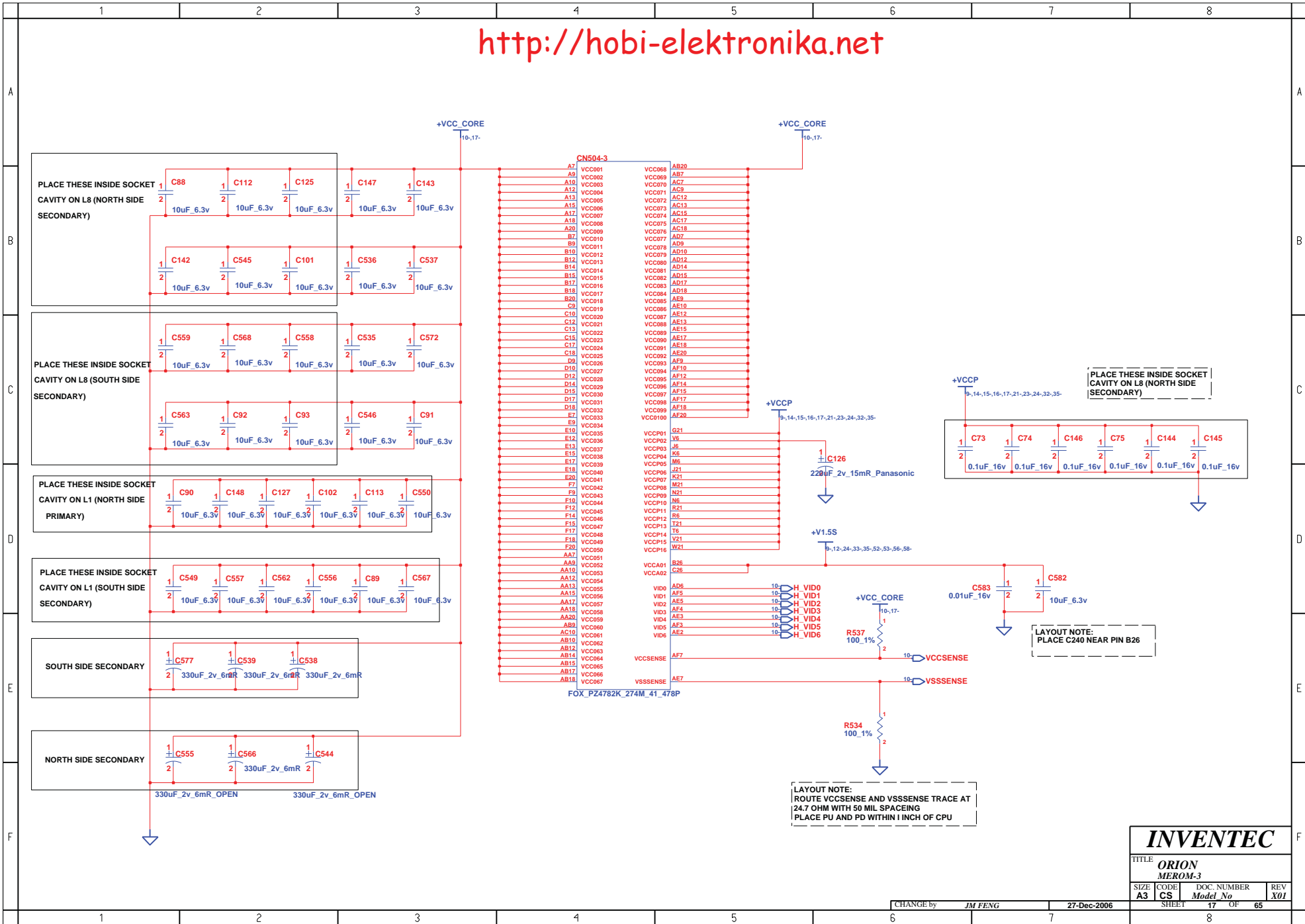
Layout note:zo=55 ohm
0.5" max for GTLREF

Please series resistor R171=1K on H_PWRGD_XDP
without stub

INVENTEC

TITLE			
ORION MEROM-2			
SIZE	CODE	DOC. NUMBER	REV
A3	CS	Model No	X01
CHANGE by		JM FENG	25-Oct-2006
SHEET		16	OF 65

<http://hobi-elektronika.net>

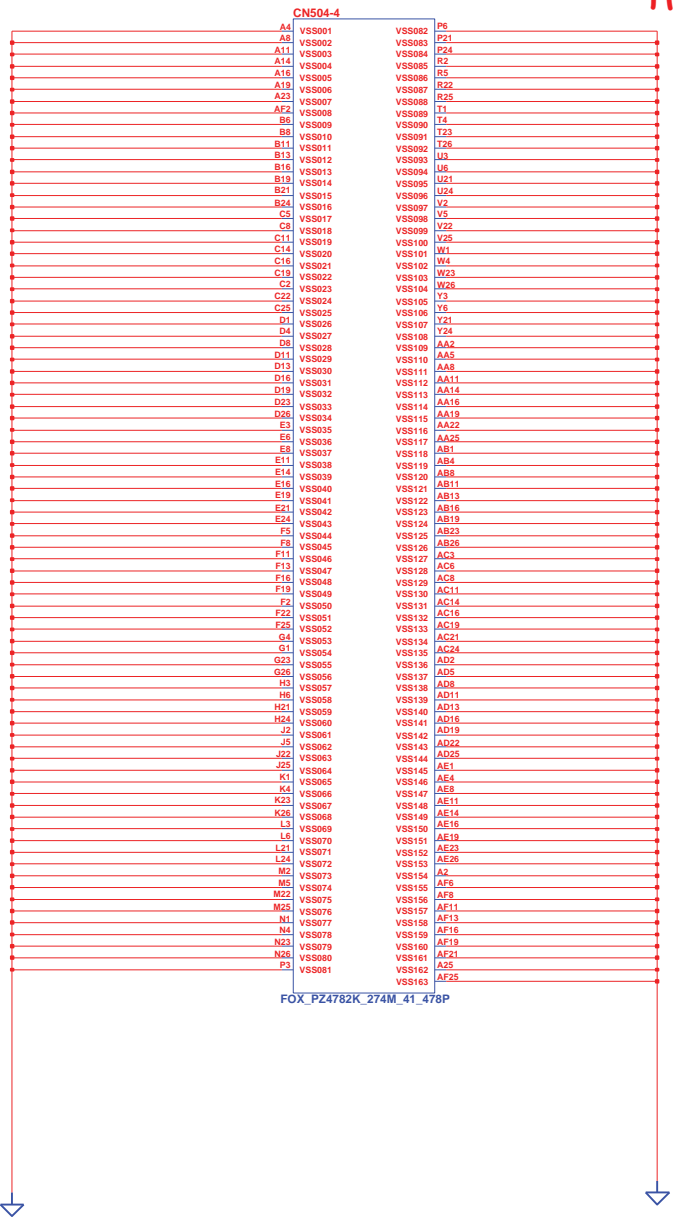


LAYOUT NOTE:
PLACE C240 NEAR PIN B26

LAYOUT NOTE:
ROUTE VCCSENSE AND VSSSENSE TRACE AT
24.7 OHM WITH 50 MIL SPACING
PLACE PU AND PD WITHIN 1 INCH OF CPU

INVENTEC			
TITLE ORION MEROM-3			
SIZE A3	CODE CS	DOC. NUMBER <i>Model No</i>	REV X01
CHANGE by <i>JM FENG</i>		27-Dec-2006	
SHEET 17		OF 65	

<http://hobi-elektronika.net>



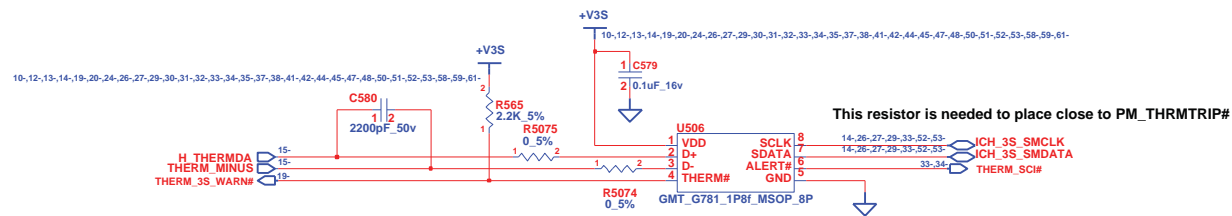
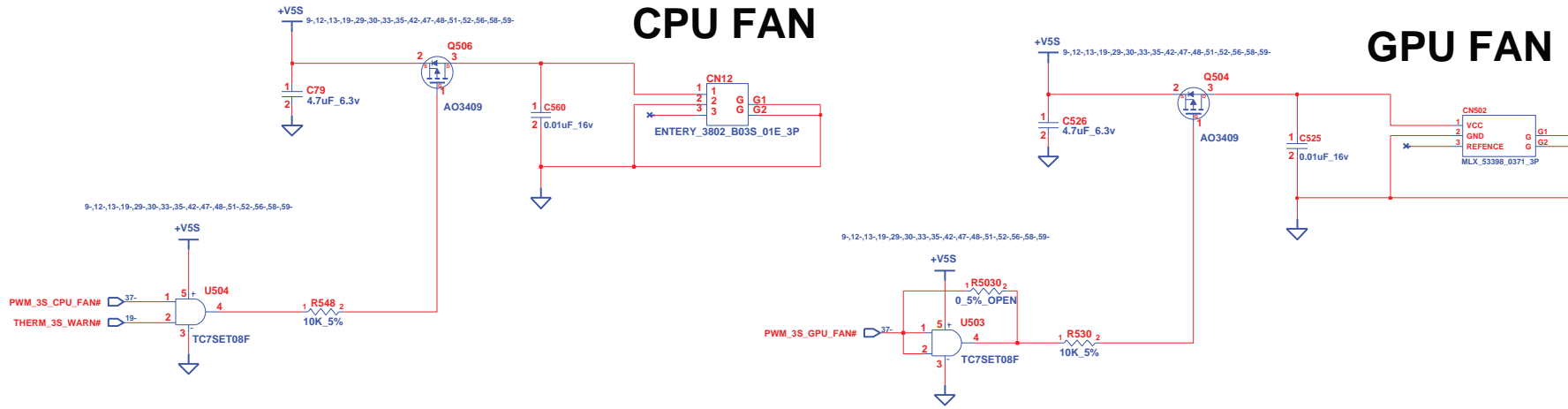
INVENTEC			
TITLE ORION MEROM-4			
SIZE	CODE	DOC. NUMBER	REV
A3	CS	<i>Model No</i>	X01
CHANGE by JM FENG		9-Feb-2007	
SHEET 8		OF 65	

	1	2	3	4	5	6	7	8	
A									A
B									B
C									C
D									D
E									E
F									F
	1	2	3	4	5	6	7	8	

<http://hobi-elektronika.net>

CPU FAN

GPU FAN



LAYOUT NOTES: PUT THE THERMAL SENSOR CLOSE TO CPU

INVENTEC

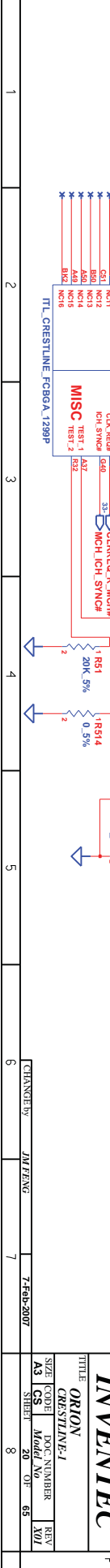
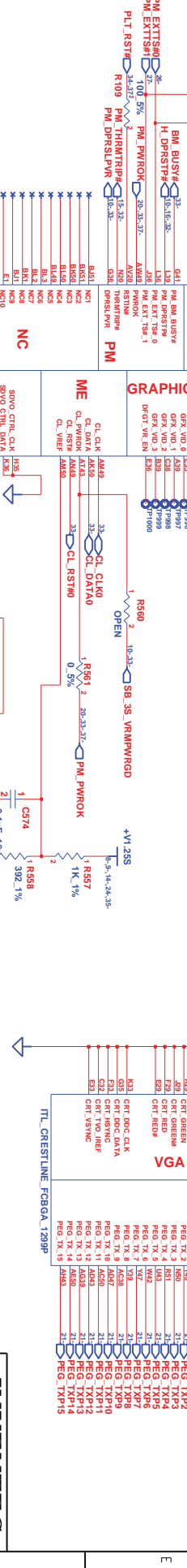
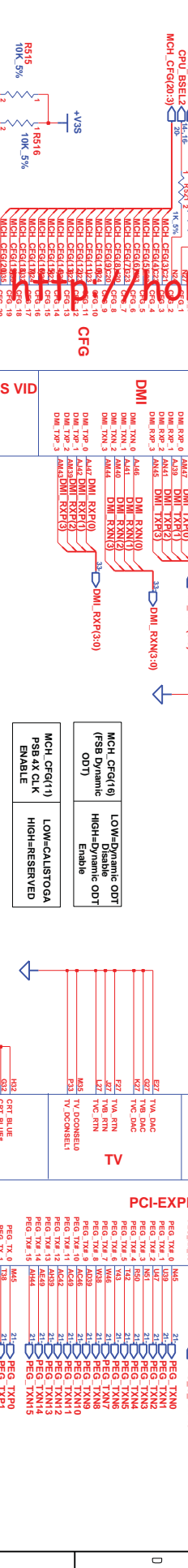
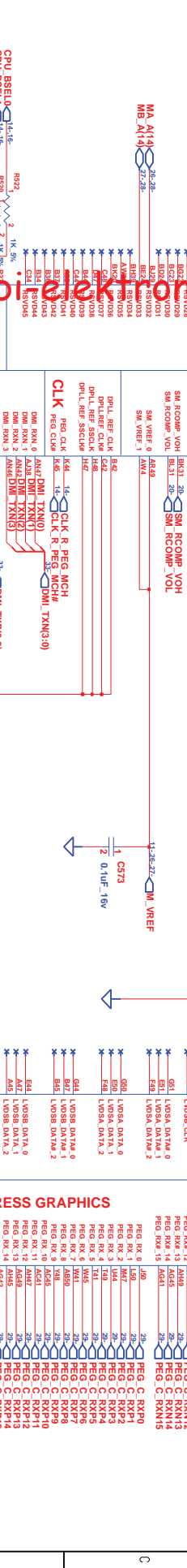
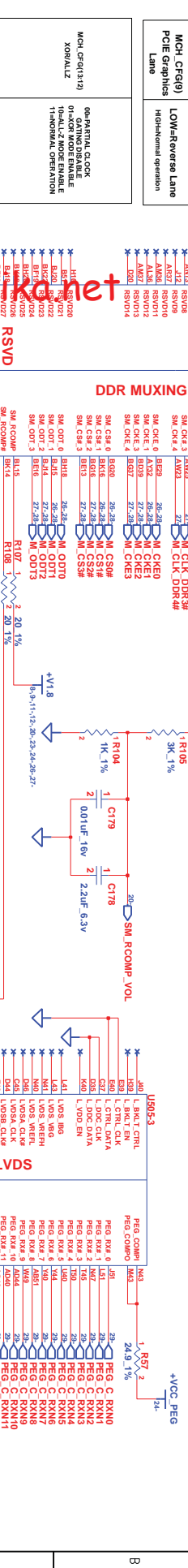
TITLE			
ORION			
THERMAL&FAN CONTROLLER			
SIZE	CODE	DOC. NUMBER	REV
A3	CS	Model No	X01

CHANGE by JM FENG 16-May-2007

SHEET 19 OF 65

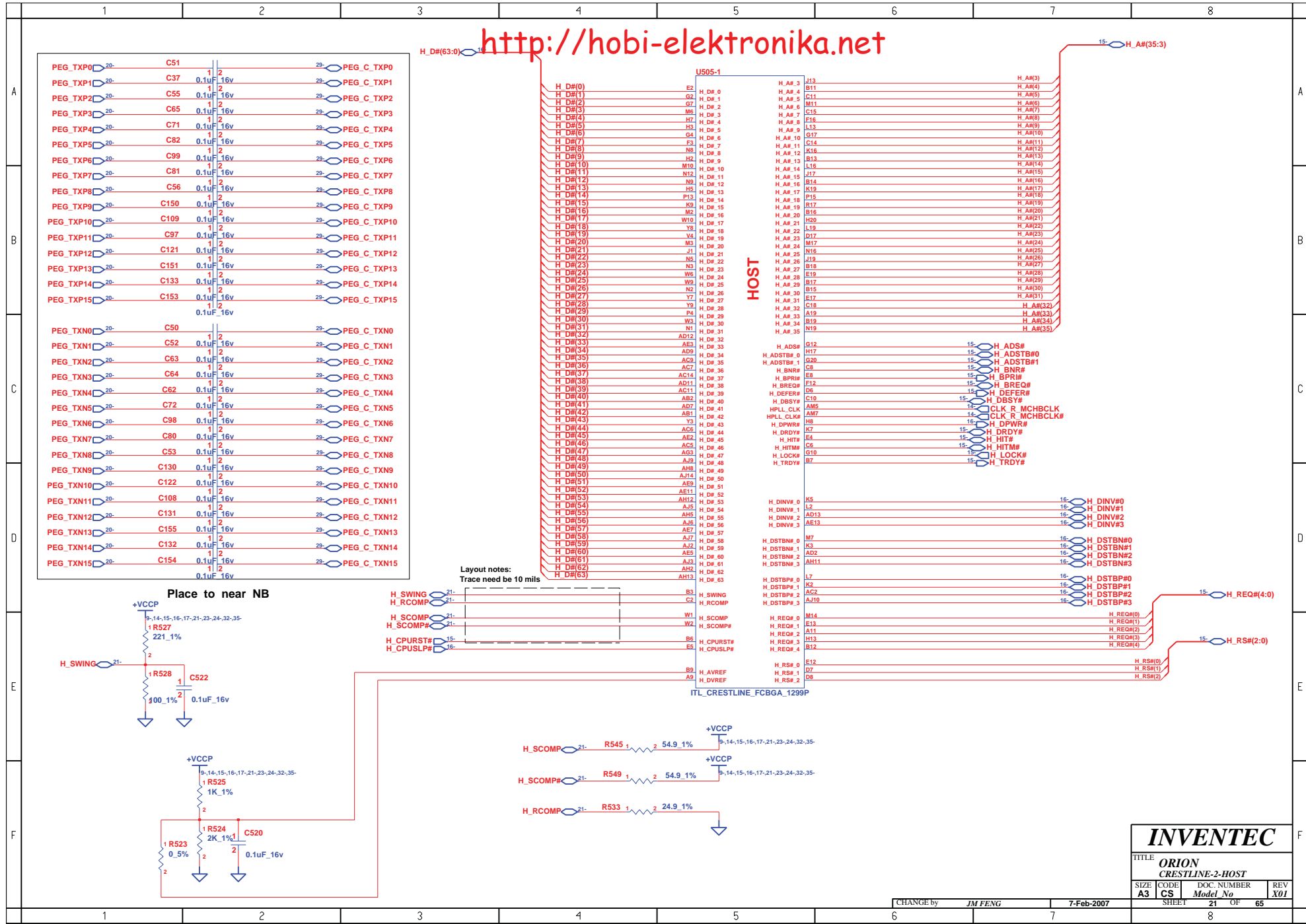


MCH_CFG(19)	LOW+DMIX2	LOW+DMIX2	LOW+DMIX2
MCH_CFG(9)	LOW+DMIX4	LOW+DMIX4	LOW+DMIX4
MCH_CFG(7)	LOW+ASVD	LOW+ASVD	LOW+ASVD
MCH_CFG(6)	HIGH+Mobile CPU	HIGH+Mobile CPU	HIGH+Mobile CPU
MCH_CFG(9)	LOW+Reverse Lane	LOW+Reverse Lane	LOW+Reverse Lane
MCH_CFG(9)	PCIe Graphics Lane	PCIe Graphics Lane	PCIe Graphics Lane
MCH_CFG(19)	0n-PARTIAL CLOCK XORALIZ	0n-PARTIAL CLOCK XORALIZ	0n-PARTIAL CLOCK XORALIZ
MCH_CFG(19)	10+ALL-2 MODE ENABLE	10+ALL-2 MODE ENABLE	10+ALL-2 MODE ENABLE
MCH_CFG(19)	15+ANOMALY OPERATION	15+ANOMALY OPERATION	15+ANOMALY OPERATION



MCH_CFG(19)	LOW+1.05V	LOW+1.05V	LOW+1.05V
VCC SELECT	HIGH+1.5V	HIGH+1.5V	HIGH+1.5V
MCH_CFG(19)	LOW+NORMAL	LOW+NORMAL	LOW+NORMAL
MCH_CFG(19)	DI MI LANE REVERSAL	DI MI LANE REVERSAL	DI MI LANE REVERSAL
MCH_CFG(20)	LOW+ONLY SDVO OR PCIe X1 IS OPERATIONAL	LOW+ONLY SDVO OR PCIe X1 IS OPERATIONAL	LOW+ONLY SDVO OR PCIe X1 IS OPERATIONAL
MCH_CFG(20)	INTEROPERABILITY MODE	INTEROPERABILITY MODE	INTEROPERABILITY MODE
MCH_CFG(20)	HIGH+SDVO AND PCIe X1 ARE OPERATING SIMULTANEOUSLY VIA THE PEG PORT	HIGH+SDVO AND PCIe X1 ARE OPERATING SIMULTANEOUSLY VIA THE PEG PORT	HIGH+SDVO AND PCIe X1 ARE OPERATING SIMULTANEOUSLY VIA THE PEG PORT

<http://hobi-elektronika.net>



Layout notes:
Trace need be 10 mils

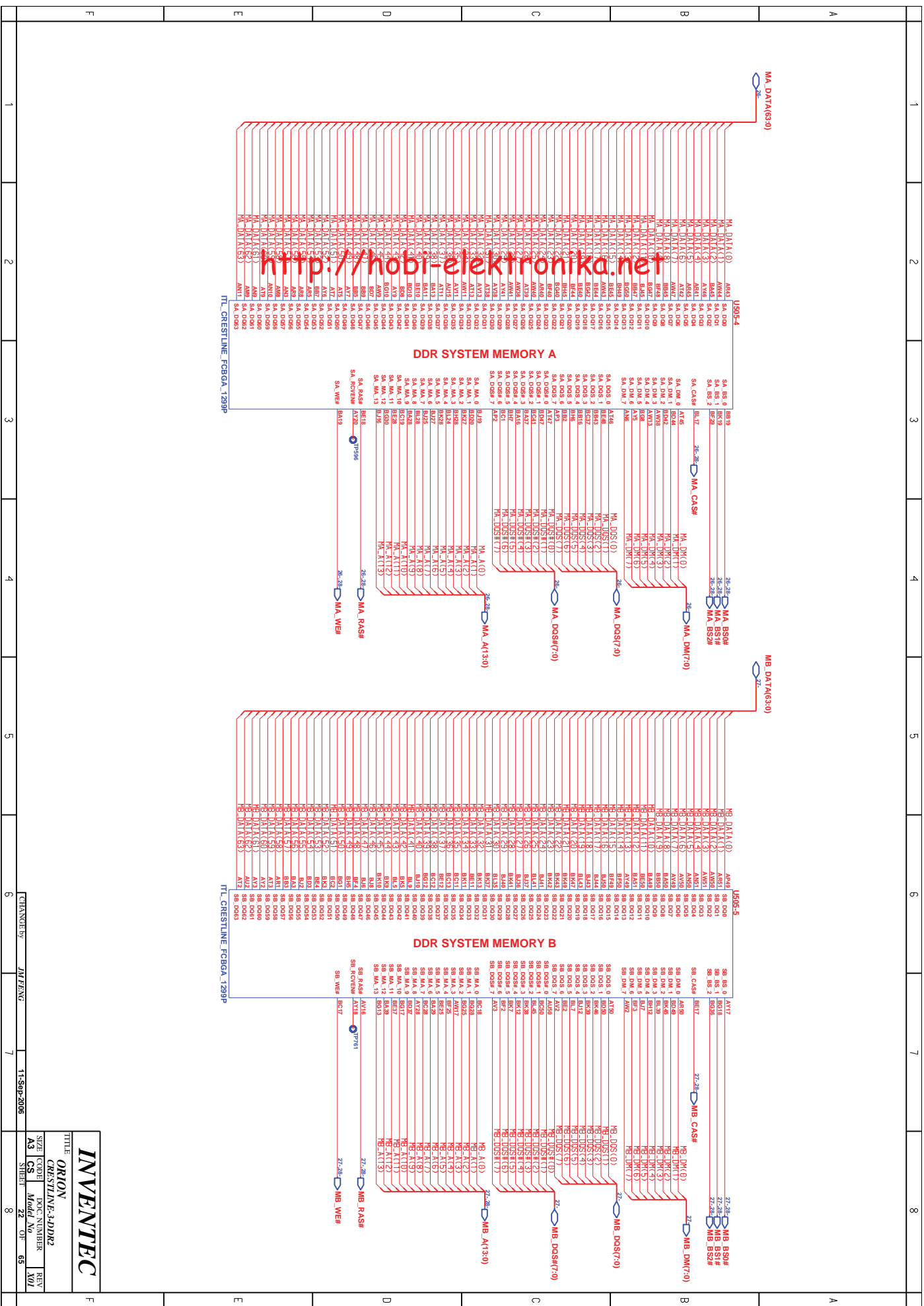
Place to near NB

INVENTEC

TITLE
**ORION
CRESTLINE-2-HOST**

SIZE	CODE	DOC. NUMBER	REV
A3	CS	Model No	X01
SHEET		21	OF 65

CHANGE by JM FENG 7-Feb-2007



DDR SYSTEM MEMORY A

DDR SYSTEM MEMORY B

ITL_CRESTRLINE_FCBGA_1209P

ITL_CRESTRLINE_FCBGA_1209P

CHANGED BY: JAYFENG

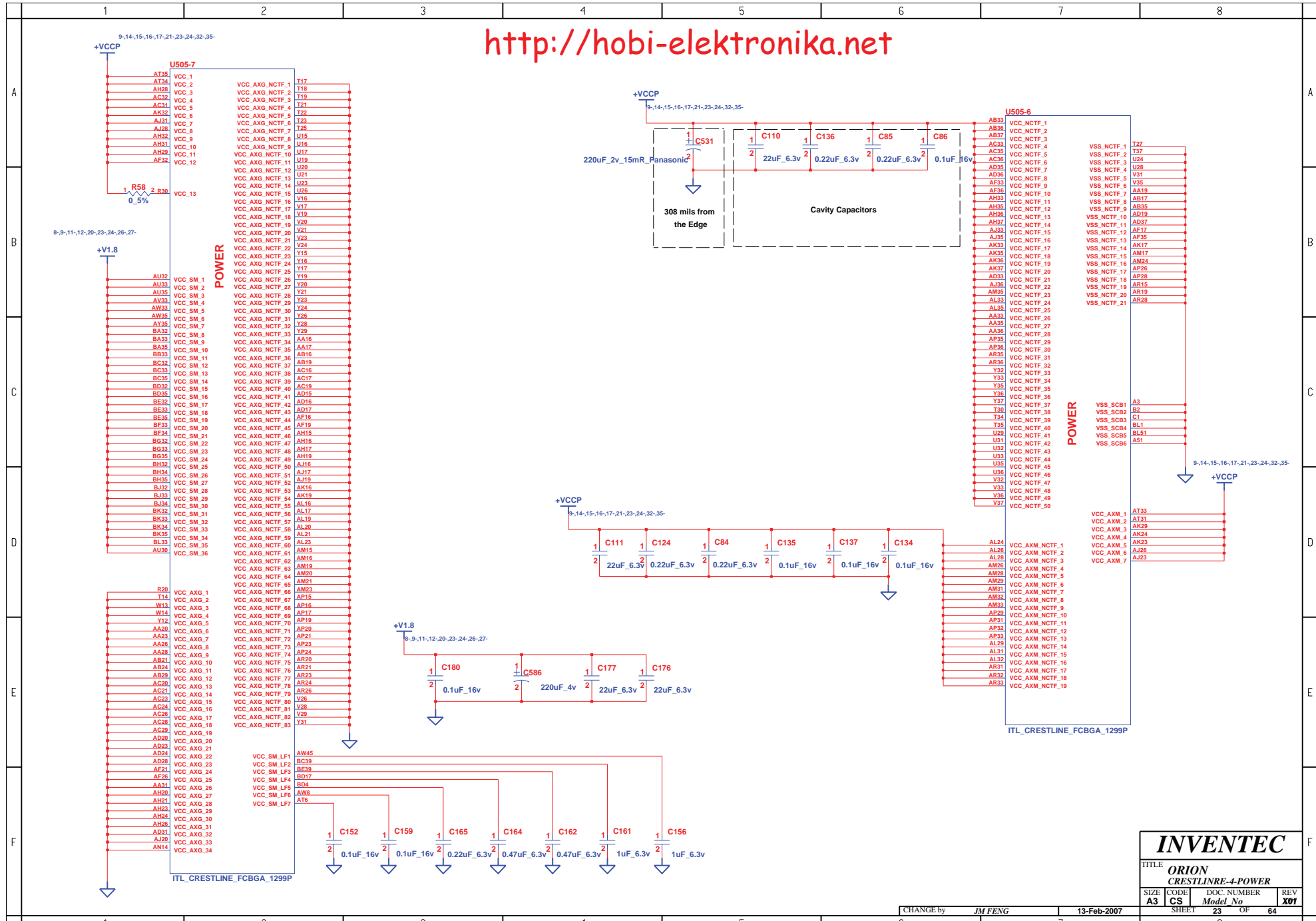
11-SEP-2006

INVENTEC

ORION
CRESTRLINE-340R2

SIZE	CODE	DOC NUMBER	REV
A3	CS	Model No.	X01
AS	SHIELD	ZZ	01-65

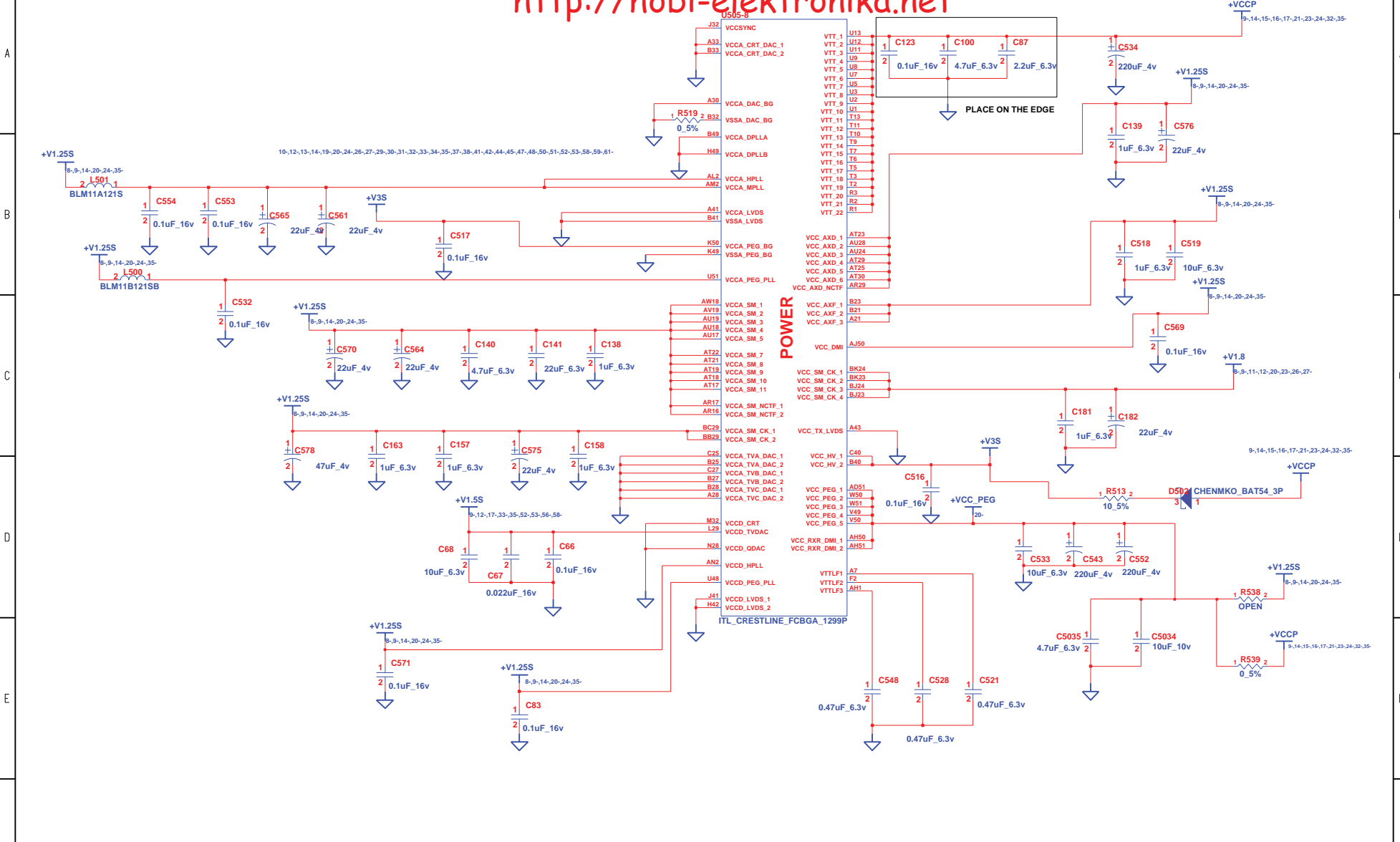
<http://hobi-elektronika.net>



INVENTEC			
TITLE ORION CRESTLINE-4-POWER			
SIZE A3	CODE CS	DOC. NUMBER <i>Model No</i>	REV X01
SHEET		OF	
23		64	

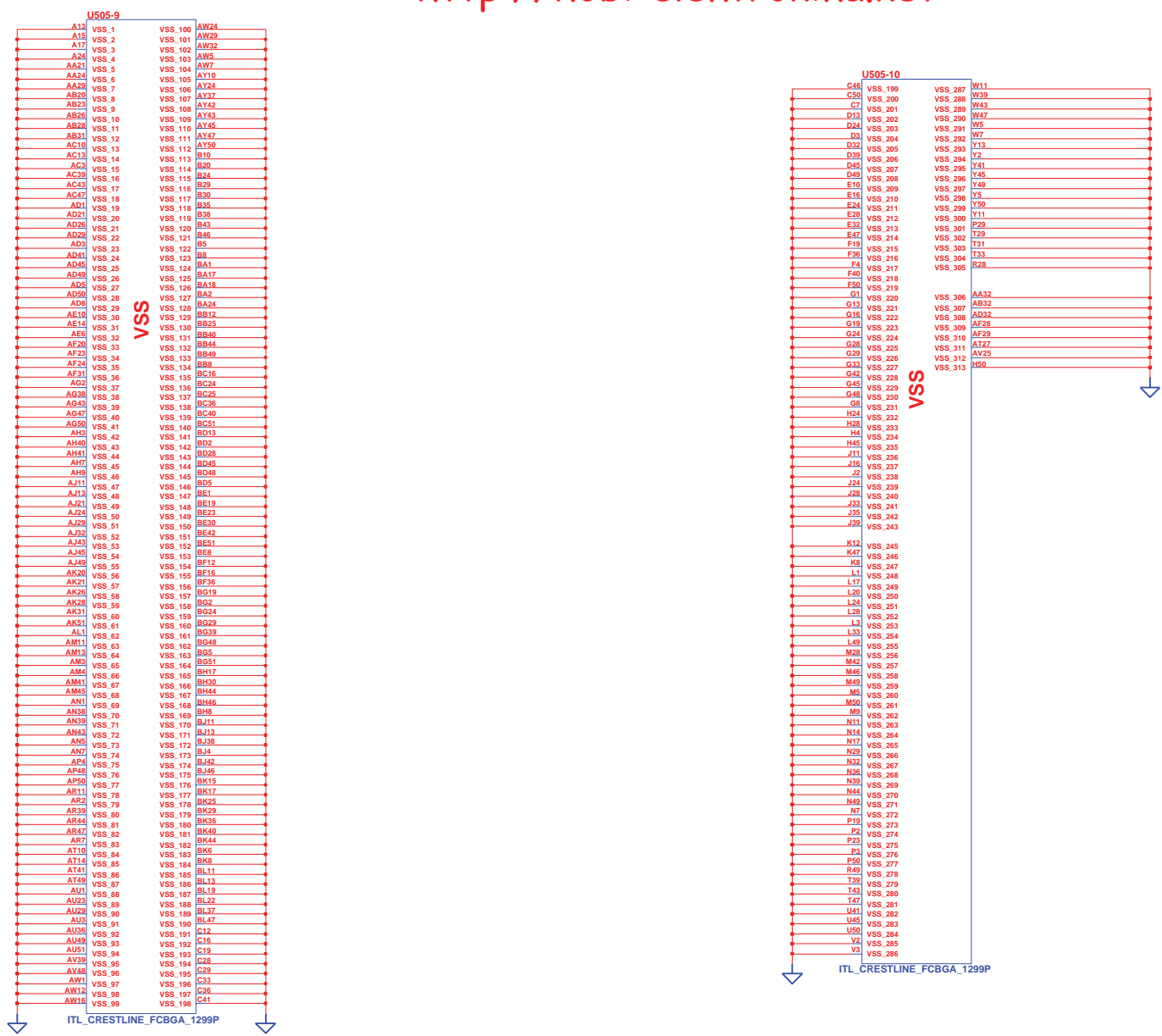
CHANGE by **JM FENG** 13-Feb-2007

<http://hobi-elektronika.net>

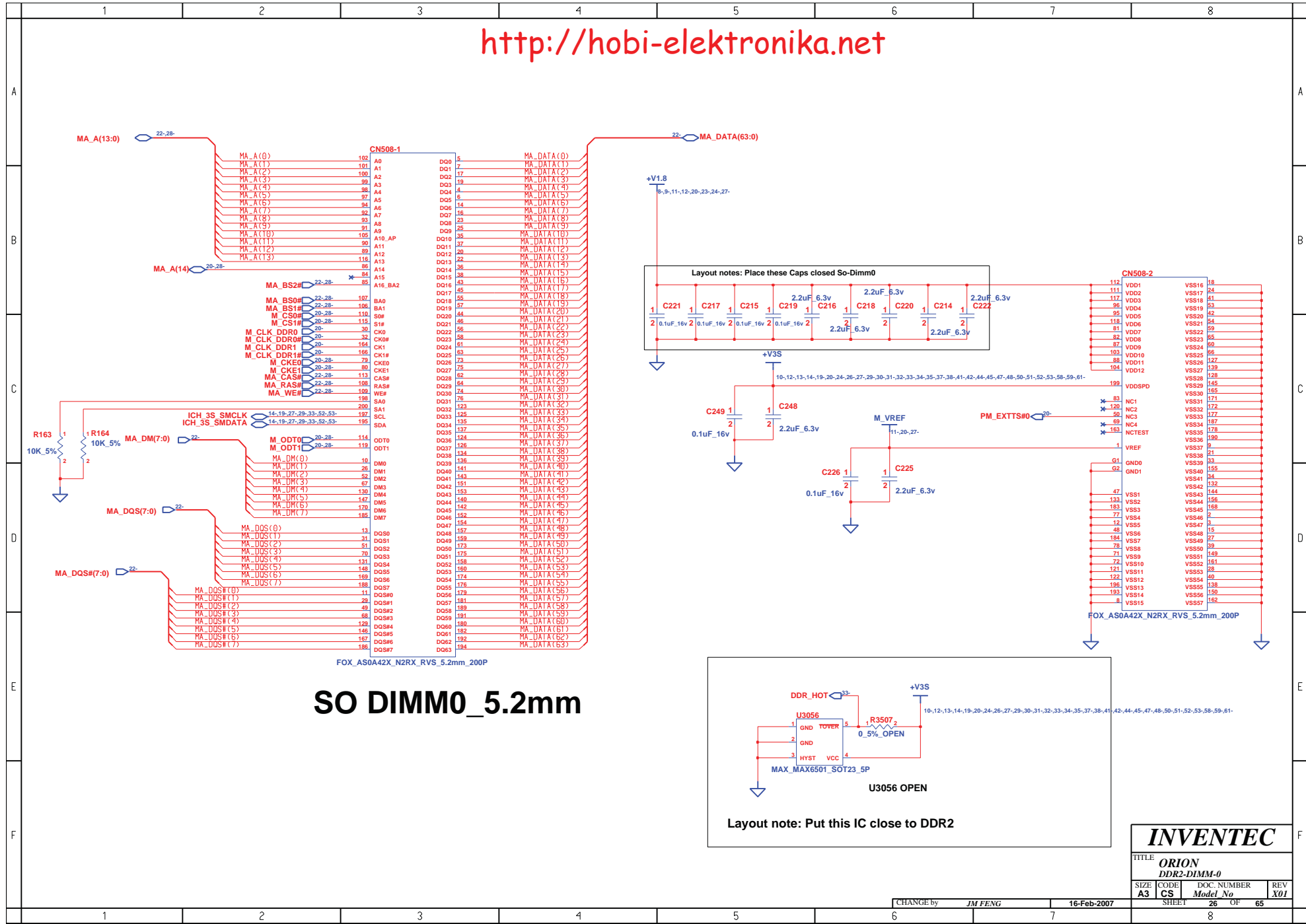


INVENTEC			
TITLE ORION CRESTLINE-5-POWER			
SIZE A3	CODE CS	DOC. NUMBER <i>Model No</i>	REV X01
CHANGE by JM FENG		SHEET 24 OF 65	

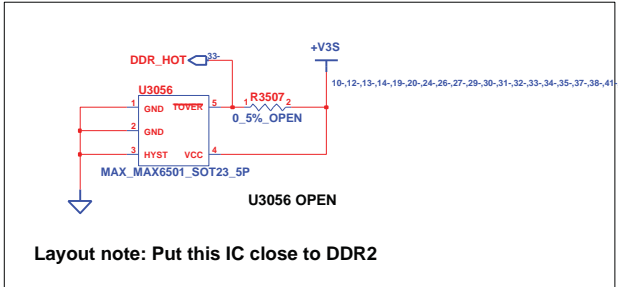
<http://hobi-elektronika.net>



INVENTEC			
TITLE ORION CRESTLINE-6-POWER			
SIZE A3	CODE CS	DOC. NUMBER <i>Model No</i>	REV X01
CHANGE by JM FENG		11-Sep-2006	SHEET 25 OF 64



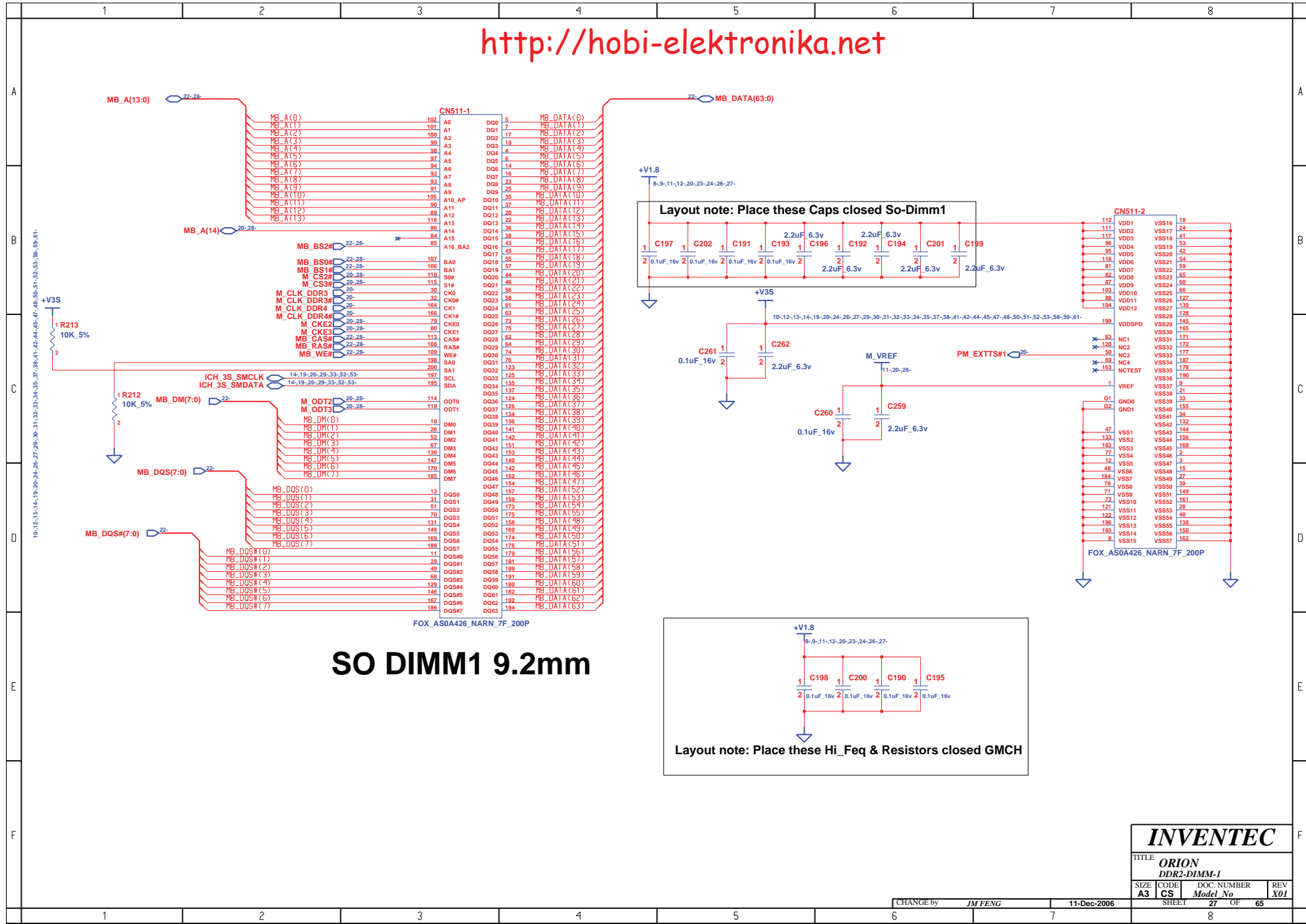
SO DIMM0_5.2mm



INVENTEC

TITLE			
ORION			
DDR2-DIMM-0			
SIZE	CODE	DOC. NUMBER	REV
A3	CS	Model No	X01
CHANGE by		JM FENG	16-Feb-2007
SHEET		26	OF 65

<http://hobi-elektronika.net>



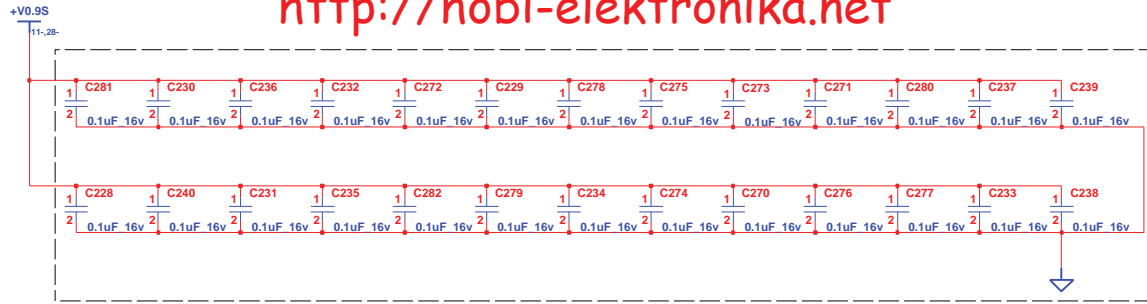
INVENTEC

TITLE **ORION**
DDR2-DIMM-1

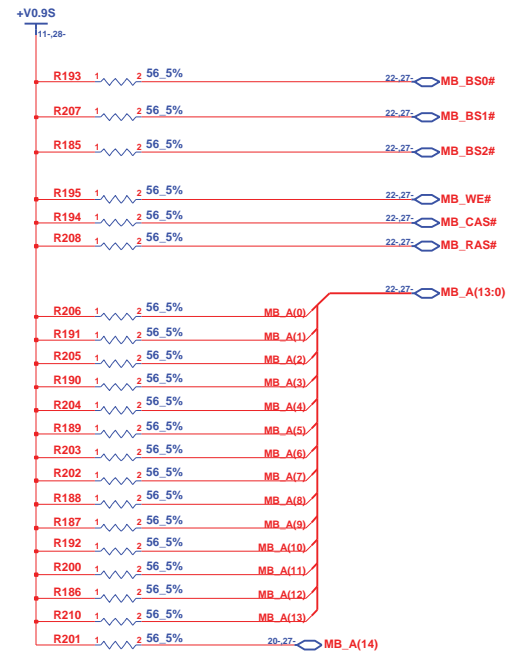
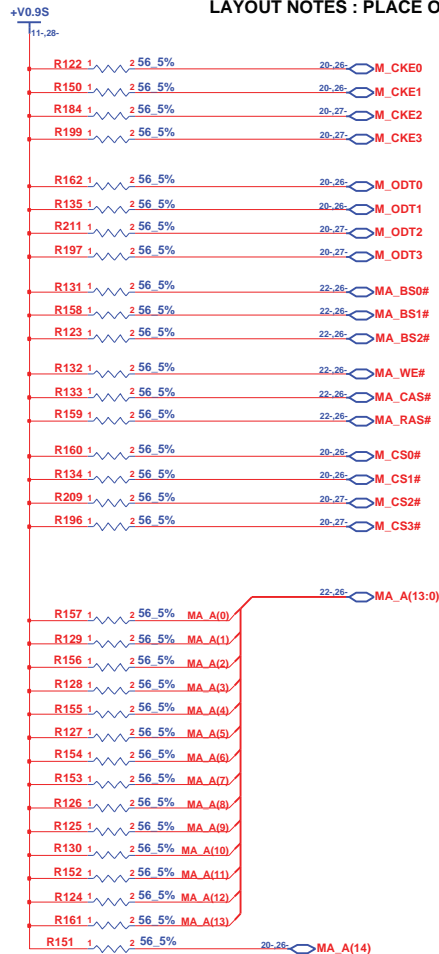
SIZE A3	CODE CS	DOC. NUMBER Model No	REV X01
SHEET 27		OF 65	

CHANGE by **JM FENG** 11-Dec-2006

<http://hobi-elektronika.net>

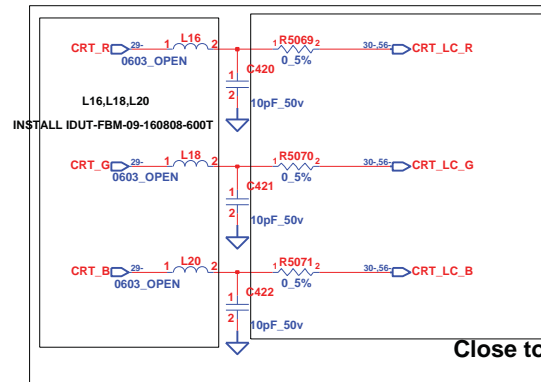
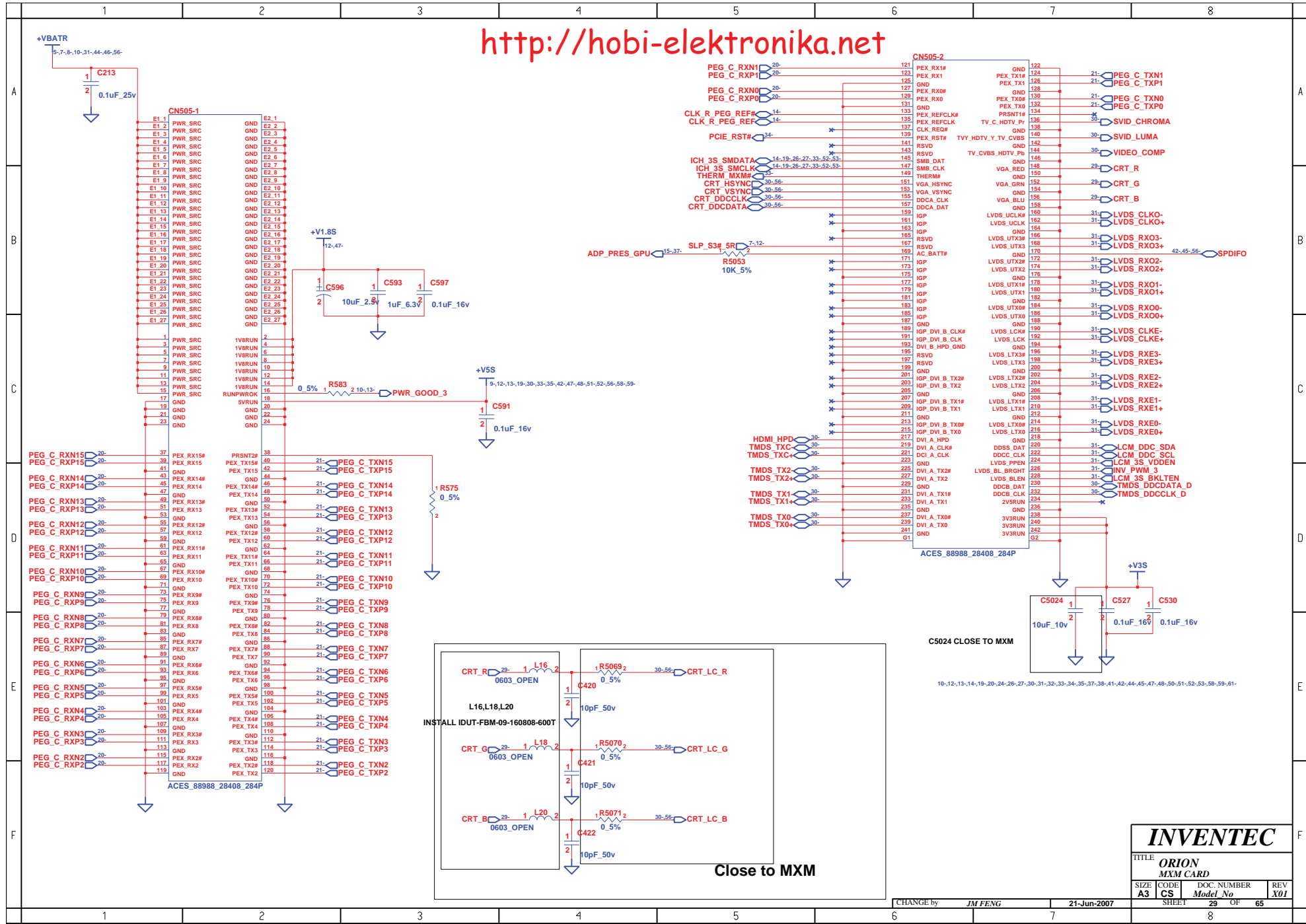


LAYOUT NOTES : PLACE ONE CAP CLOSE TO EVERY 2 PULL UP RESISTOR TERMINATED TO +V0.9S



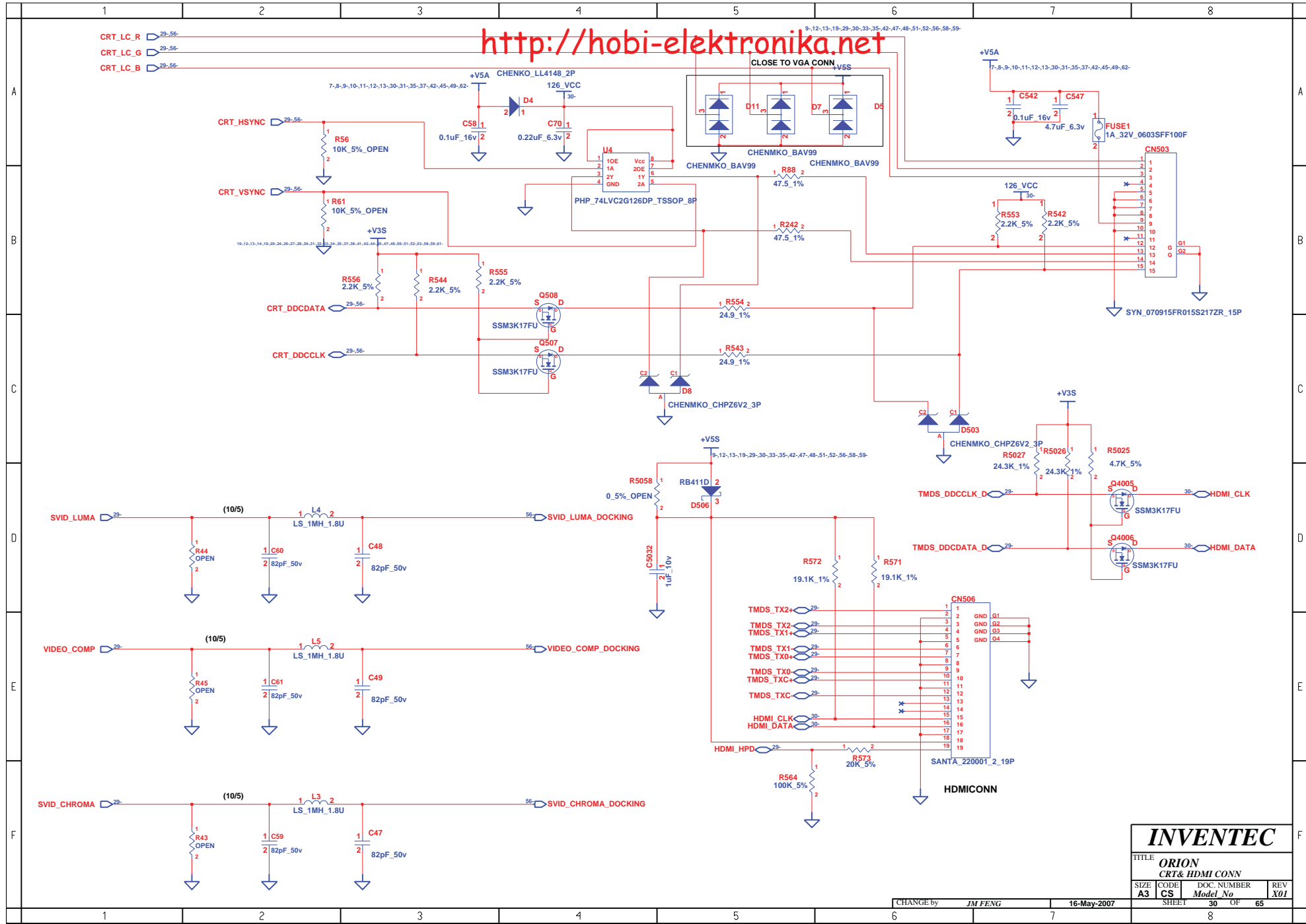
INVENTEC			
TITLE ORION DDR2-DAMPING			
SIZE A3	CODE CS	DOC. NUMBER <i>Model No</i>	REV X01
CHANGE by JM FENG		3-Oct-2006	SHEET 28 OF 65

<http://hobi-elektronika.net>



INVENTEC				
TITLE ORION MXM CARD				
SIZE A3	CODE CS	DOC. NUMBER <i>Model No</i>	REV X01	
SHEET 29		OF 65		

<http://hobi-elektronika.net>

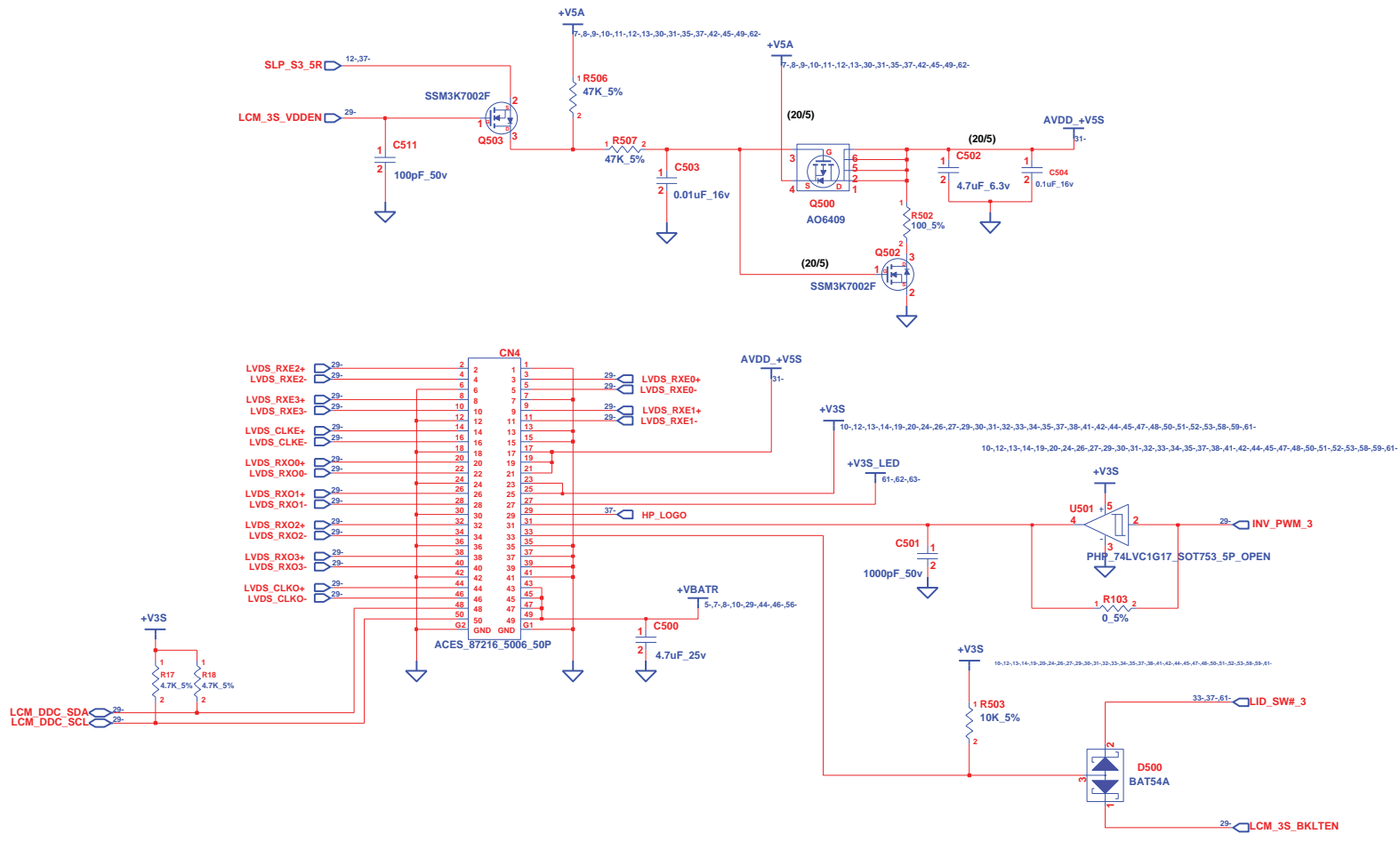


INVENTEC

TITLE			
ORION CRT & HDMI CONN			
SIZE	CODE	DOC. NUMBER	REV
A3	CS	Model No	X01
SHEET		OF	
8		65	

CHANGE by JM FENG 16-May-2007

<http://hobi-elektronika.net>
Place closed to connector



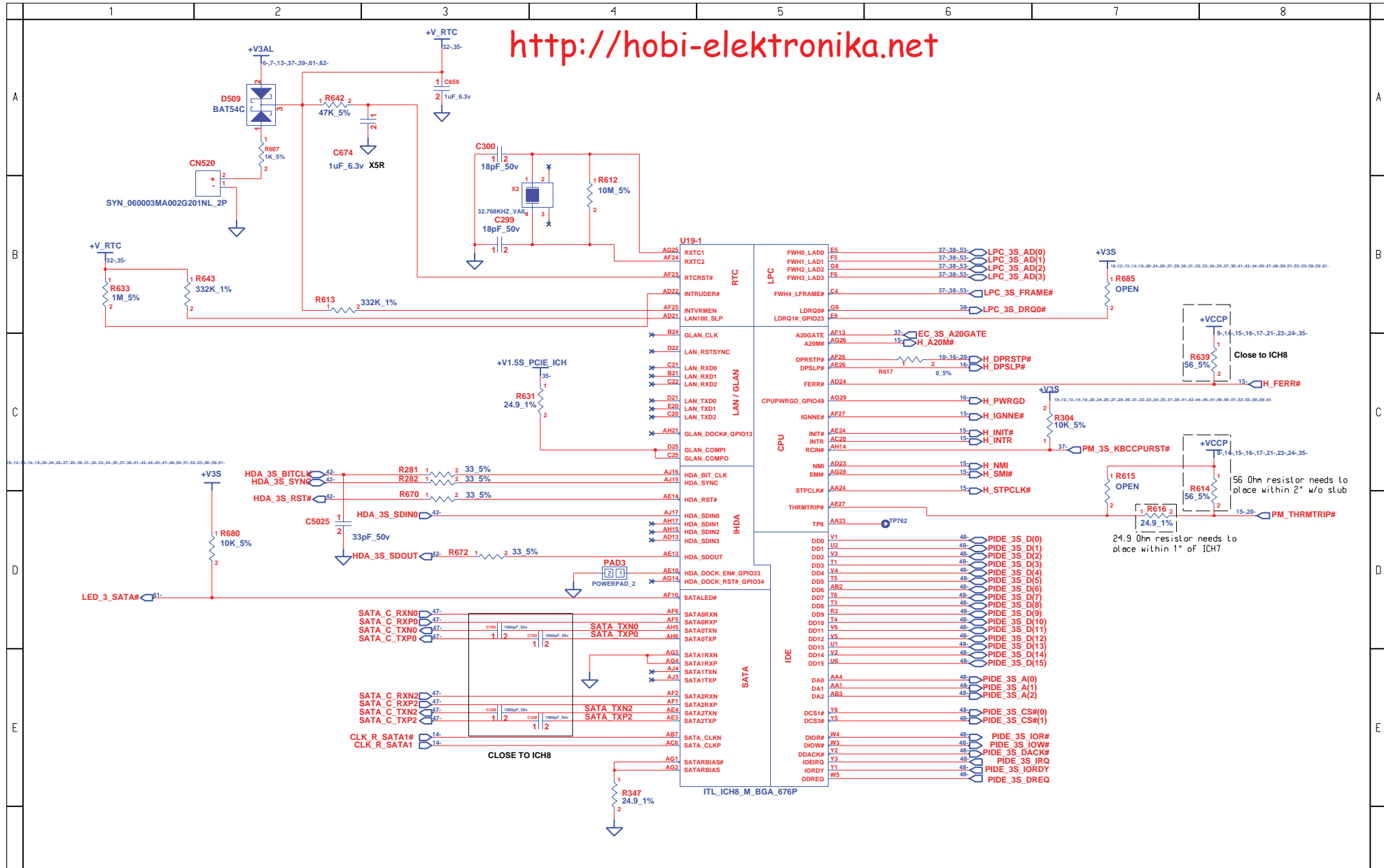
INVENTEC

TITLE			
ORION LCD CONN			
SIZE	CODE	DOC. NUMBER	REV
A3	CS	Model No	X01
CHANGE by		JM FENG	9-Feb-2007
SHEET		31	OF 65

A
B
C
D
E
F

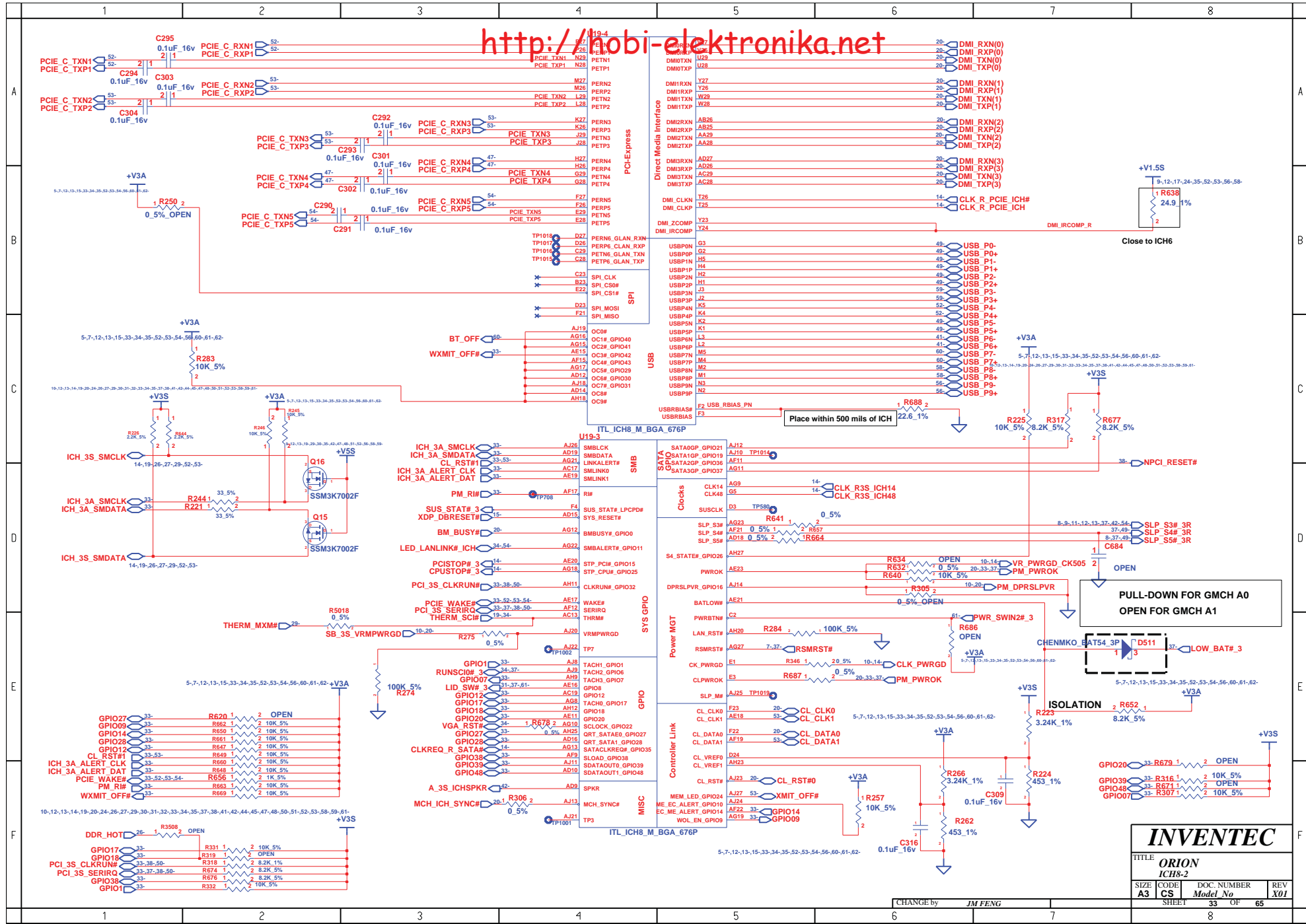
A
B
C
D
E
F

<http://hobi-elektronika.net>



INVENTEC			
TITLE ORION ICH8-1			
SIZE A3	CODE CS	DOC. NUMBER <i>Model No</i>	REV X01
CHANGE by JM FENG		30-Nov-2007	
SHEET 32		OF 65	

http://hobi-elektronika.net



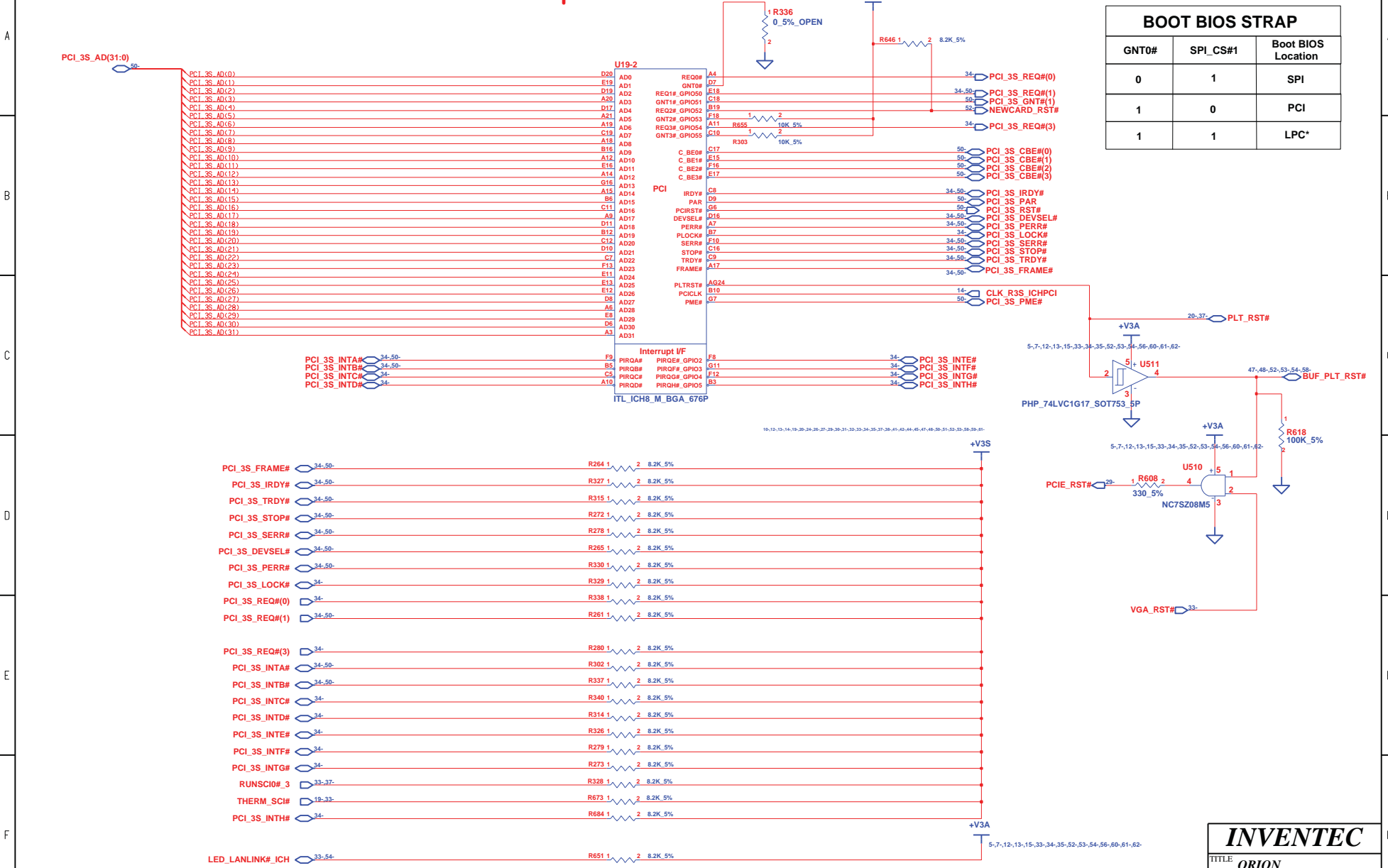
INVENTEC

TITLE
**ORION
ICH8-2**

SIZE	CODE	DOC. NUMBER	REV
A3	CS	Model No	X01
SHEET		33	OF 65

CHANGE by JM FENG

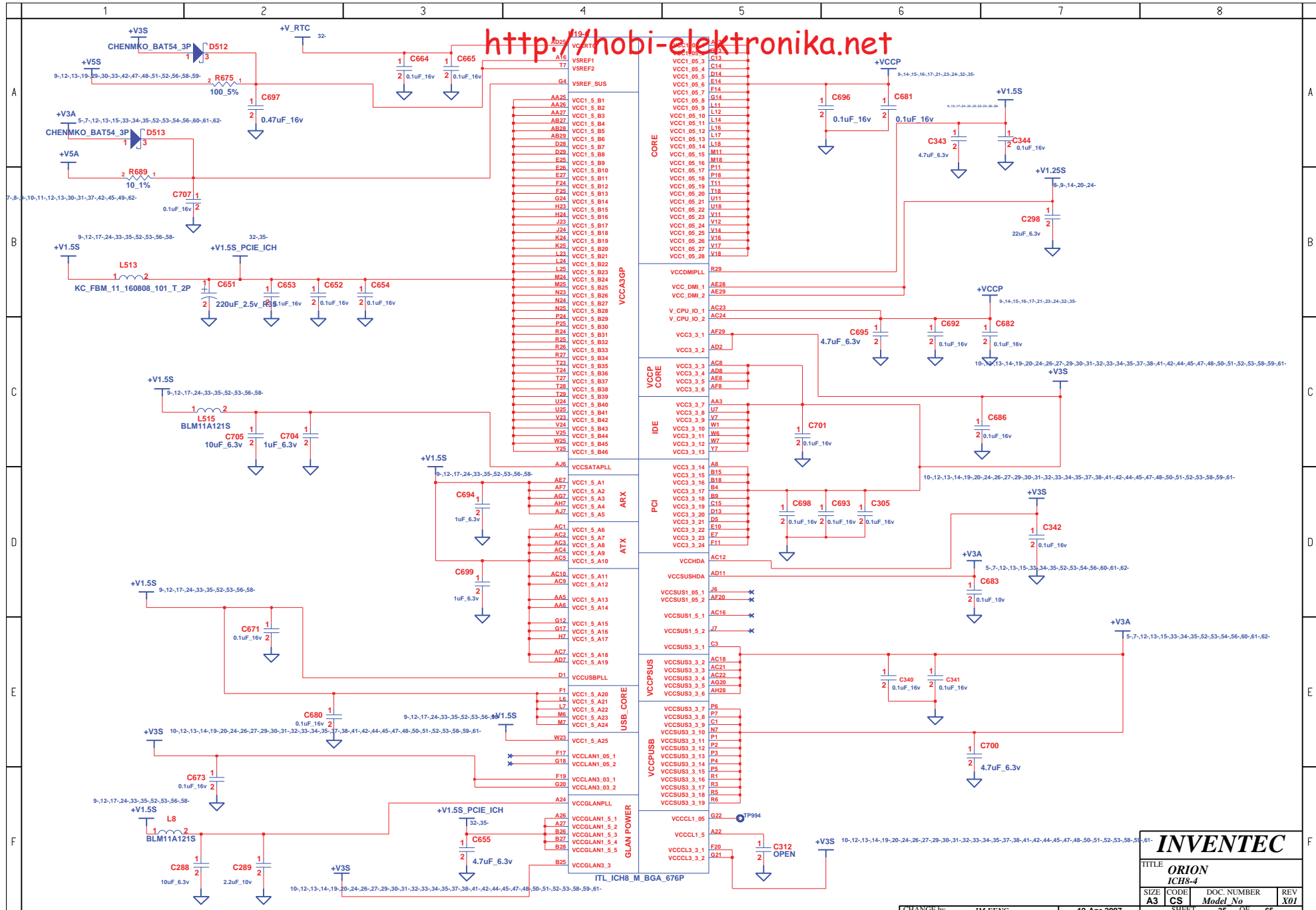
BOOT BIOS STRAP		
GNT0#	SPL_CS#1	Boot BIOS Location
0	1	SPI
1	0	PCI
1	1	LPC*



INVENTEC			
TITLE ORION ICH8-3			
SIZE A3	CODE CS	DOC. NUMBER Model No	REV X01
SHEET		34	OF 65

(8.2K)

<http://hobi-elektronika.net>



INVENTEC

TITLE			
ORION ICH8-4			
SIZE	CODE	DOC. NUMBER	REV
A3	CS	Model No	X01
SHEET		35	OF 65

CHANGE by JM FENG 19-Apr-2007

<http://hobi-elektronika.net>

D19-5

A23	VSS001	VSS099	K7
A2	VSS002	VSS100	L1
AA2	VSS003	VSS101	L13
AA7	VSS004	VSS102	L15
A25	VSS005	VSS103	L26
AB1	VSS006	VSS104	L27
AB24	VSS007	VSS105	L4
AC11	VSS008	VSS106	L5
AC14	VSS009	VSS107	M12
AC25	VSS010	VSS108	M13
AC26	VSS011	VSS109	M14
AC27	VSS012	VSS110	M15
AD17	VSS013	VSS111	M16
AD20	VSS014	VSS112	M17
AD28	VSS015	VSS113	M23
AD29	VSS016	VSS114	M28
AD3	VSS017	VSS115	M29
AD4	VSS018	VSS116	M3
AD6	VSS019	VSS117	N1
AE1	VSS020	VSS118	N11
AE12	VSS021	VSS119	N12
AE2	VSS022	VSS120	N13
AE22	VSS023	VSS121	N14
AD1	VSS024	VSS122	N15
AE25	VSS025	VSS123	N16
AE5	VSS026	VSS124	N17
AE6	VSS027	VSS125	N18
AE9	VSS028	VSS126	N26
AF14	VSS029	VSS127	N27
AF16	VSS030	VSS128	N4
AF18	VSS031	VSS129	N5
AF3	VSS032	VSS130	N6
AF4	VSS033	VSS131	P12
AG5	VSS034	VSS132	P13
AG6	VSS035	VSS133	P14
AH10	VSS036	VSS134	P15
AH13	VSS037	VSS135	P16
AH16	VSS038	VSS136	P17
AH19	VSS039	VSS137	P23
AH2	VSS040	VSS138	P28
AF28	VSS041	VSS139	P29
AH22	VSS042	VSS140	R11
AH24	VSS043	VSS141	R12
AH26	VSS044	VSS142	R13
AH3	VSS045	VSS143	R14
AH4	VSS046	VSS144	R15
AH8	VSS047	VSS145	R16
AJ5	VSS048	VSS146	R17
B11	VSS049	VSS147	R18
B14	VSS050	VSS148	R28
B17	VSS051	VSS149	R4
B2	VSS052	VSS150	T12
B20	VSS053	VSS151	T13
B22	VSS054	VSS152	T14
B6	VSS055	VSS153	T15
C24	VSS056	VSS154	T16
C26	VSS057	VSS155	T17
C27	VSS058	VSS156	T2
C6	VSS059	VSS157	U12
D12	VSS060	VSS158	U13
D15	VSS061	VSS159	U14
D18	VSS062	VSS160	U15
D2	VSS063	VSS161	U16
D4	VSS064	VSS162	U17
E21	VSS065	VSS163	U23
E24	VSS066	VSS164	U26
E4	VSS067	VSS165	U27
E9	VSS068	VSS166	U3
F15	VSS069	VSS167	U5
E23	VSS070	VSS168	V13
F28	VSS071	VSS169	V15
F29	VSS072	VSS170	V28
F7	VSS073	VSS171	V29
G1	VSS074	VSS172	W2
E2	VSS075	VSS173	W26
G10	VSS076	VSS174	W27
G13	VSS077	VSS175	Y28
G19	VSS078	VSS176	Y29
G23	VSS079	VSS177	Y4
G25	VSS080	VSS178	AB4
G26	VSS081	VSS179	AB23
G27	VSS082	VSS180	AB5
H25	VSS083	VSS181	AB6
H28	VSS084	VSS182	AD5
H29	VSS085	VSS183	UA
H3	VSS086	VSS184	W24
H6	VSS087	VSS_NCTF_01	A1
J1	VSS088	VSS_NCTF_02	A2
J25	VSS089	VSS_NCTF_03	A28
J26	VSS090	VSS_NCTF_04	A29
J27	VSS091	VSS_NCTF_05	AH1
J4	VSS092	VSS_NCTF_06	AH29
J5	VSS093	VSS_NCTF_07	AJ1
K21	VSS094	VSS_NCTF_08	AJ2
K28	VSS095	VSS_NCTF_09	AJ28
K29	VSS096	VSS_NCTF_010	AJ29
K3	VSS097	VSS_NCTF_011	B1
K6	VSS098	VSS_NCTF_012	B29

ITL_ICH8_M_BGA_676P



INVENTEC

TITLE			
ORION			
ICH8-5			
SIZE	CODE	DOC. NUMBER	REV
A3	CS	Model No	X01
SHEET		36	OF 65

CHANGE by JM FENG 13-Oct-2006

1

2

3

4

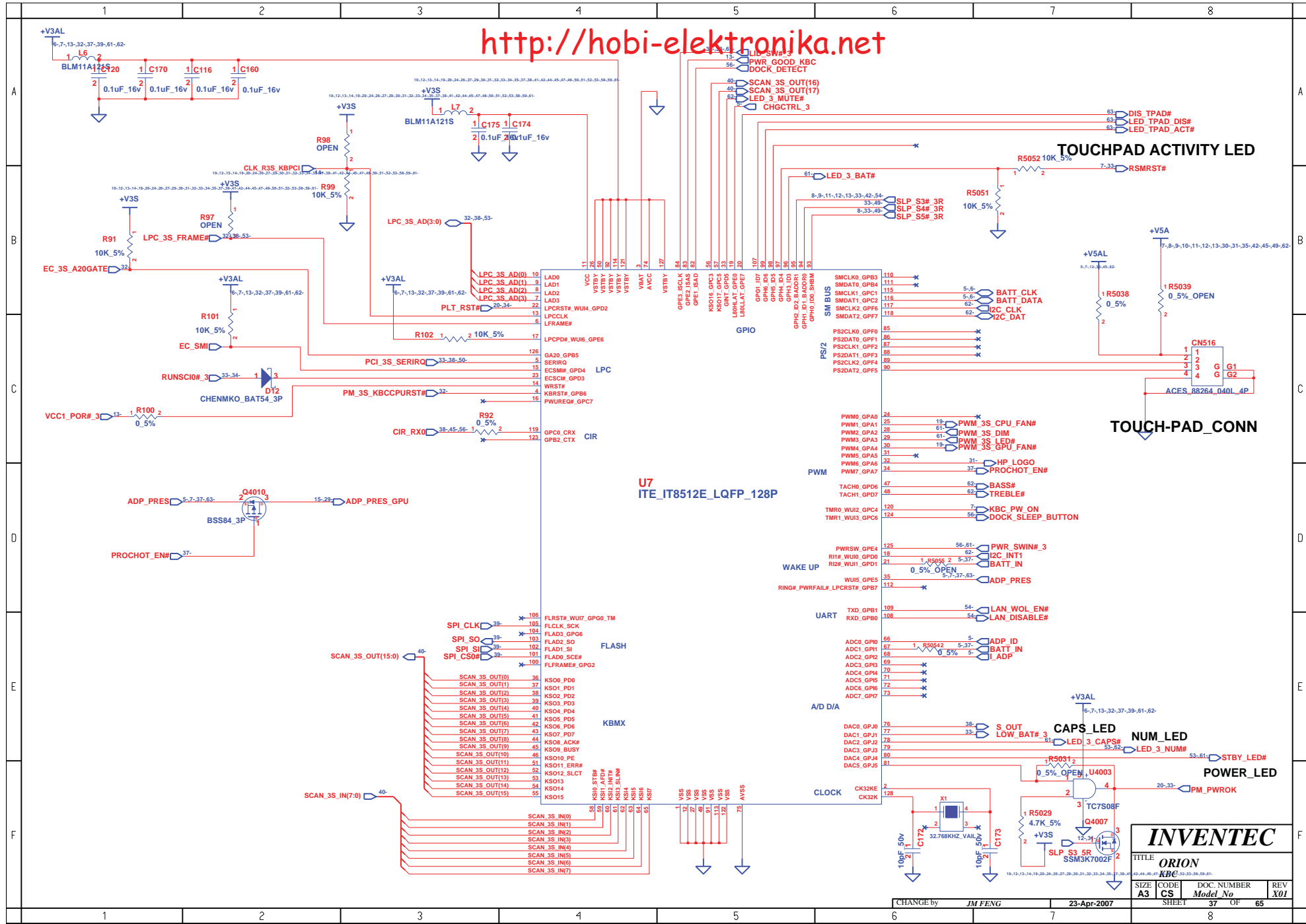
5

6

7

8

<http://hobi-elektronika.net>

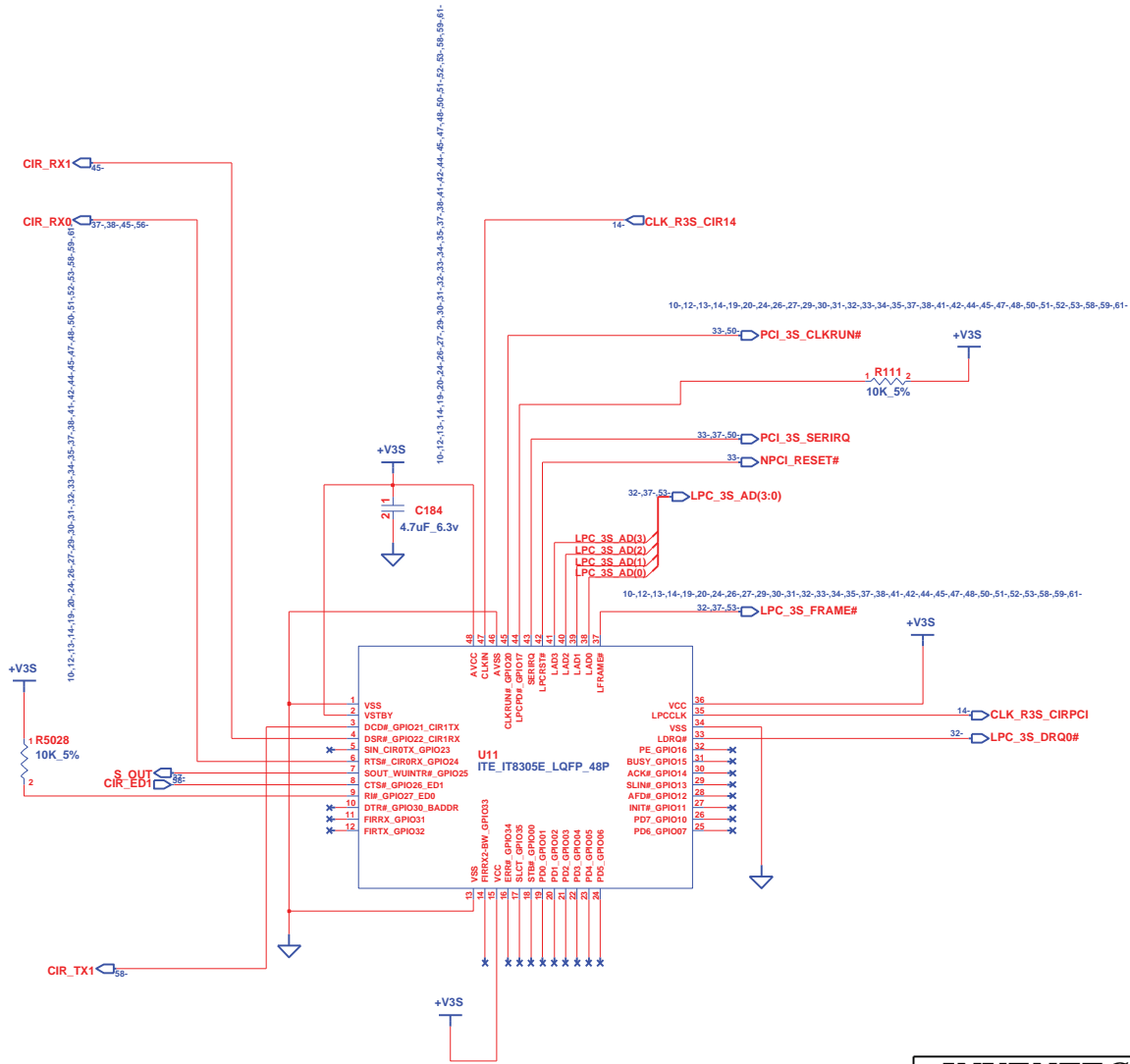
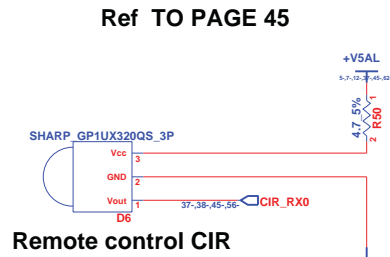


INVENTEC

TITLE: **ORION**
KBC-10-33-39-61

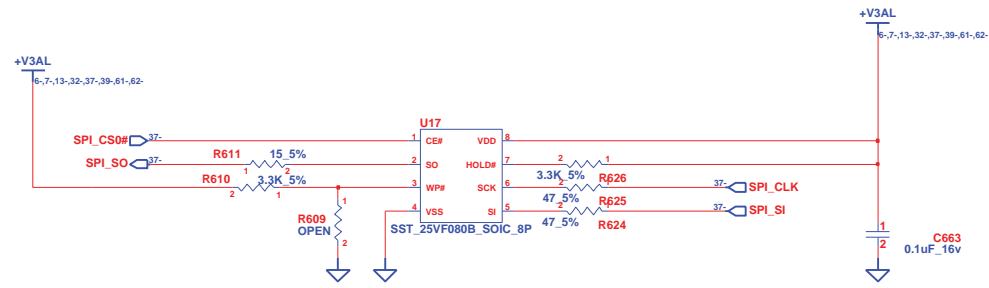
SIZE	CODE	DOC. NUMBER	REV
A3	CS	Model No	X01

CHANGE by: **JM FENG** 23-Apr-2007 SHEET 37 OF 65



INVENTEC			
TITLE CIR CONTROLLER			
SIZE A3	CODE CS	DOC. NUMBER 38	REV 65
CHANGE by ORION		26-Mar-2007	
SHEET		8	

<http://hobi-elektronika.net>



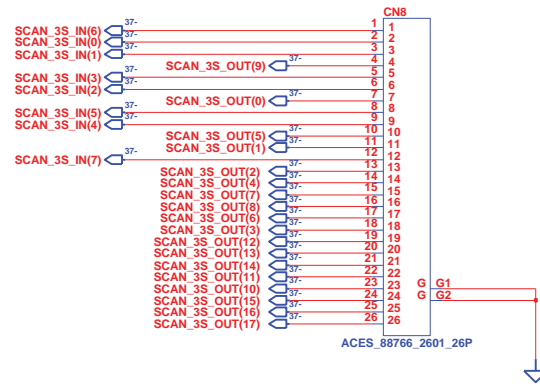
SPI BIOS

INVENTEC

TITLE			
ORION			
SPI BIOS			
SIZE	CODE	DOC. NUMBER	REV
A3	CS	Model No	X01
SHEET		39	OF 65

CHANGE by JM FENG 23-Mar-2007

<http://hobi-elektronika.net>



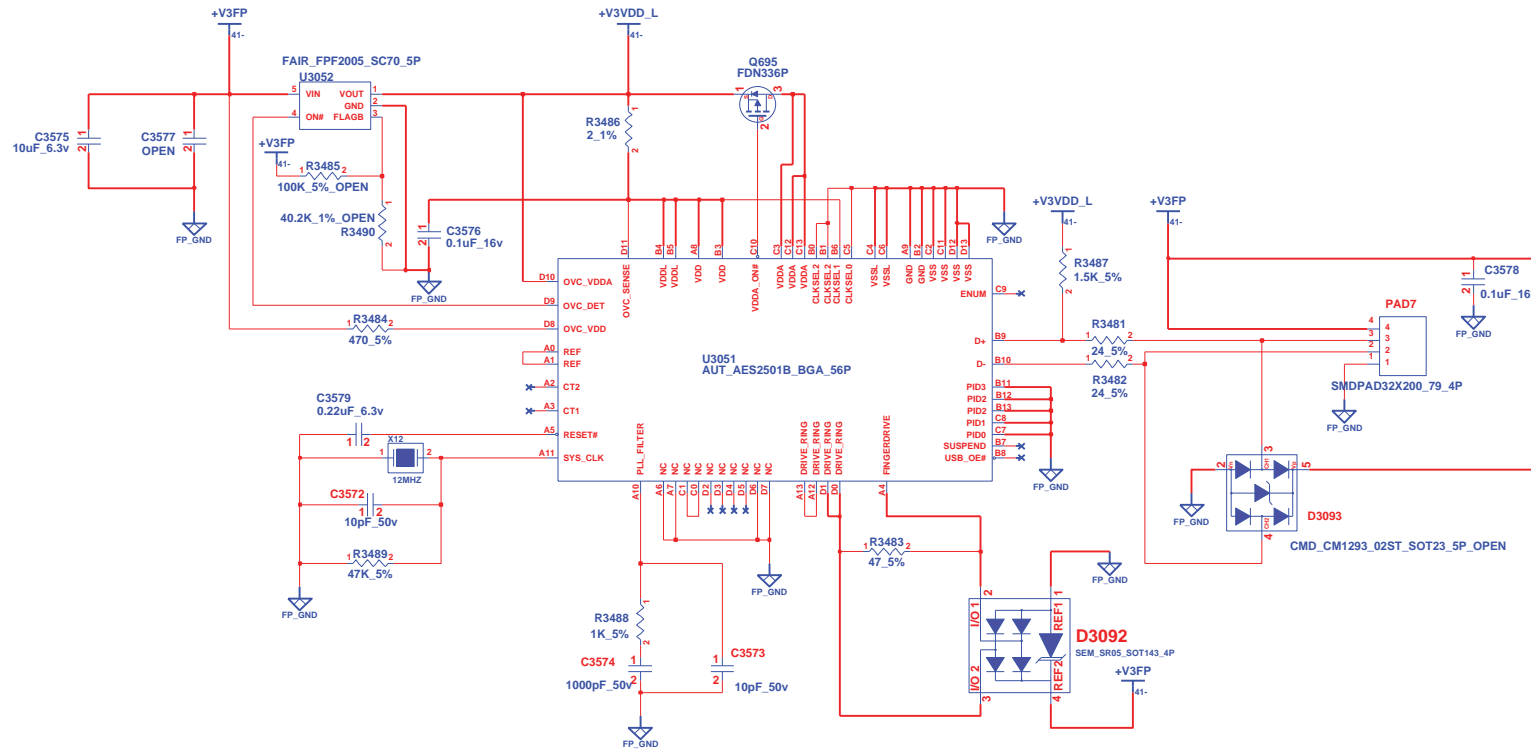
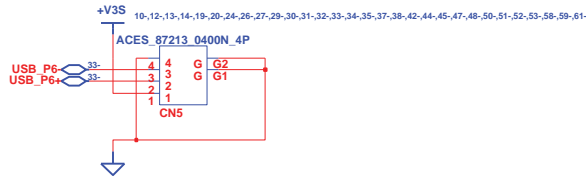
ACES_88766_2601_26P

INVENTEC

TITLE			
ORION			
INT.KB/POINT DEVICES			
SIZE	CODE	DOC. NUMBER	REV
A3	CS	Model No	X01
SHEET		40	OF 65

CHANGE by JM FENG 11-Dec-2006

<http://hobi-elektronika.net>



Finger Print Reader DB

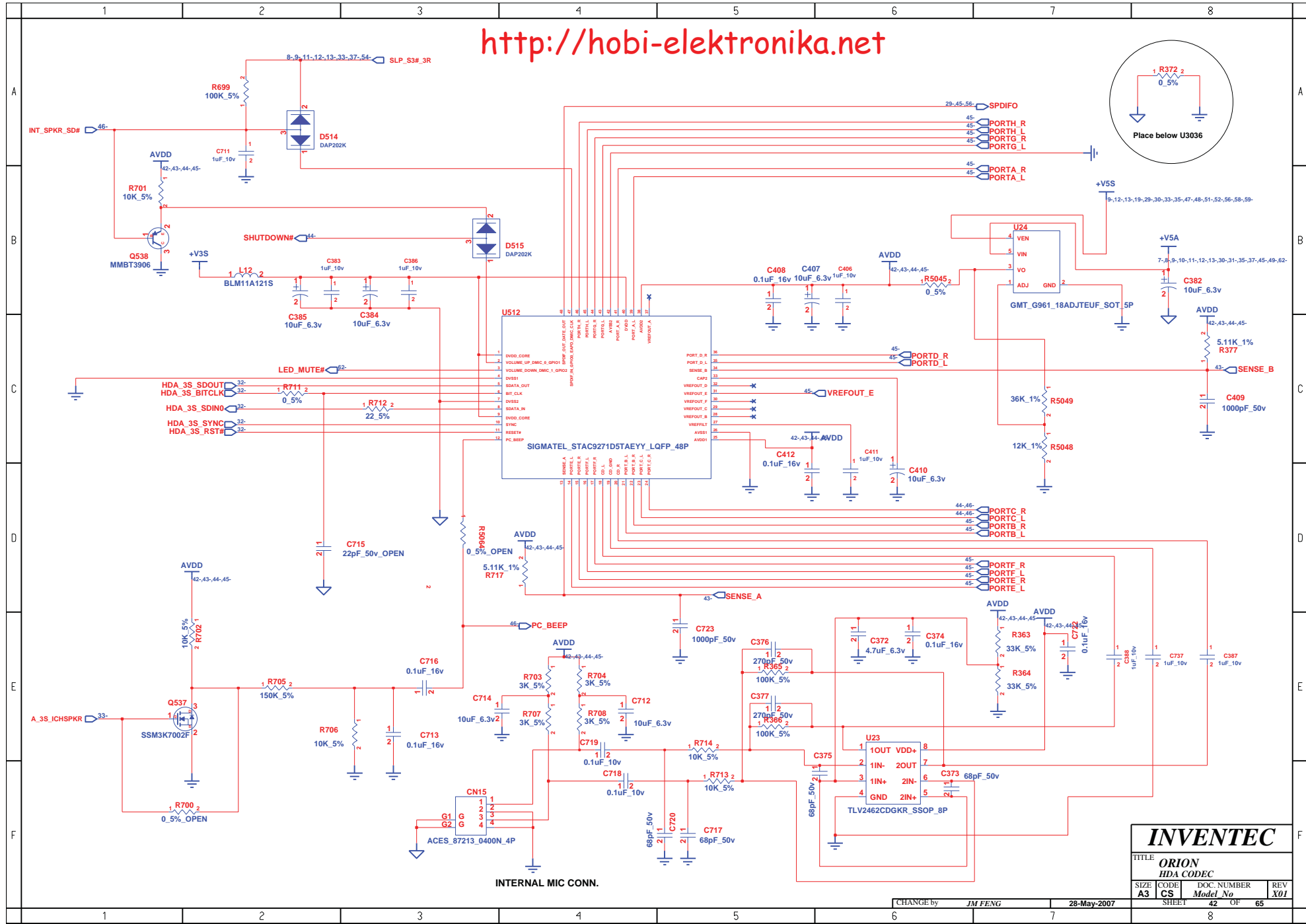
(Same as DAVOS30 FPR circuit.)

INVENTEC

TITLE			
ORION FINGER PRINTER CONN.			
SIZE	CODE	DOC. NUMBER	REV
A3	CS	Model No	X01
CHANGE by		SHEET	
JM FENG		41 OF 65	

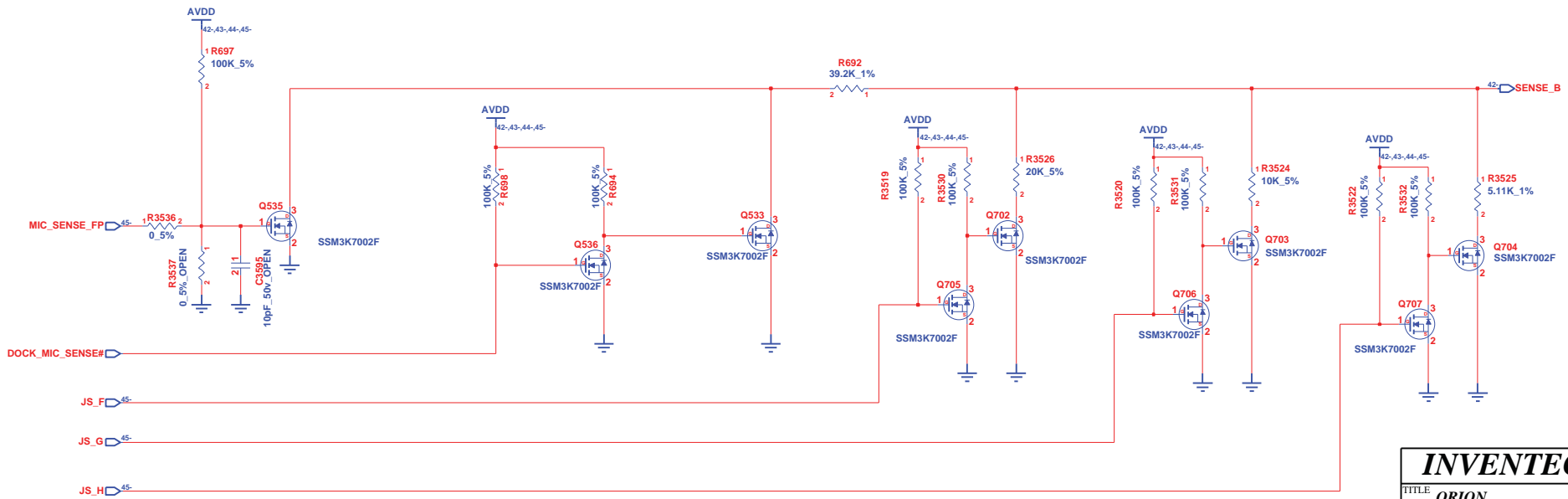
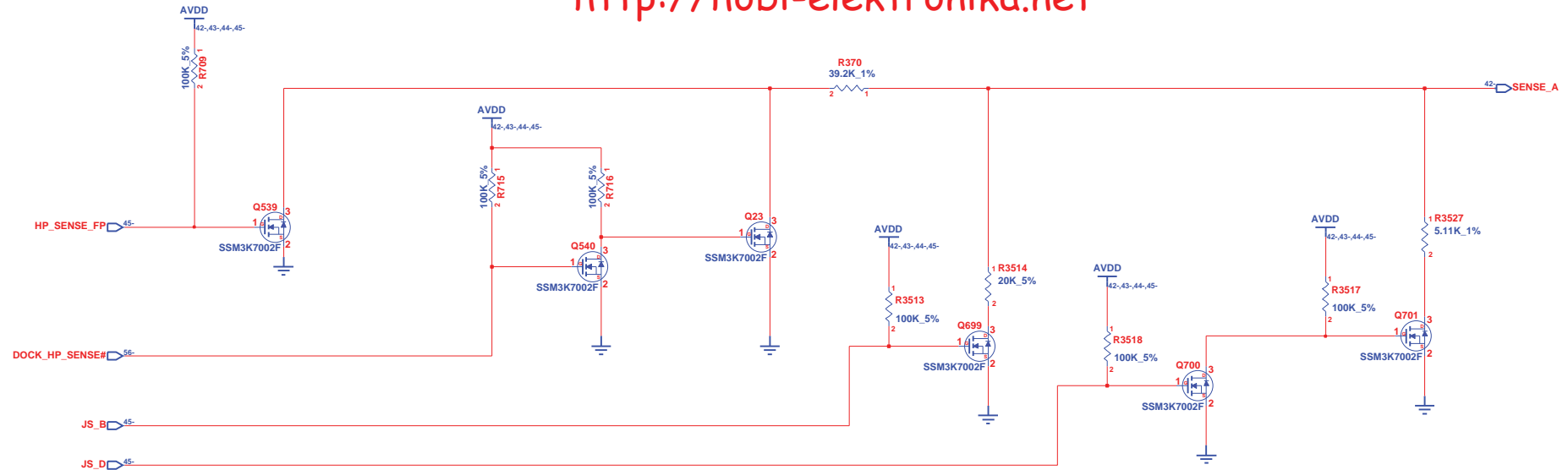
7-Jan-2007

<http://hobi-elektronika.net>



INVENTEC			
TITLE ORION HDA CODEC			
SIZE A3	CODE CS	DOC NUMBER <i>Model No</i>	REV X01
CHANGE by JM FENG		28-May-2007	
SHEET 42		OF 65	

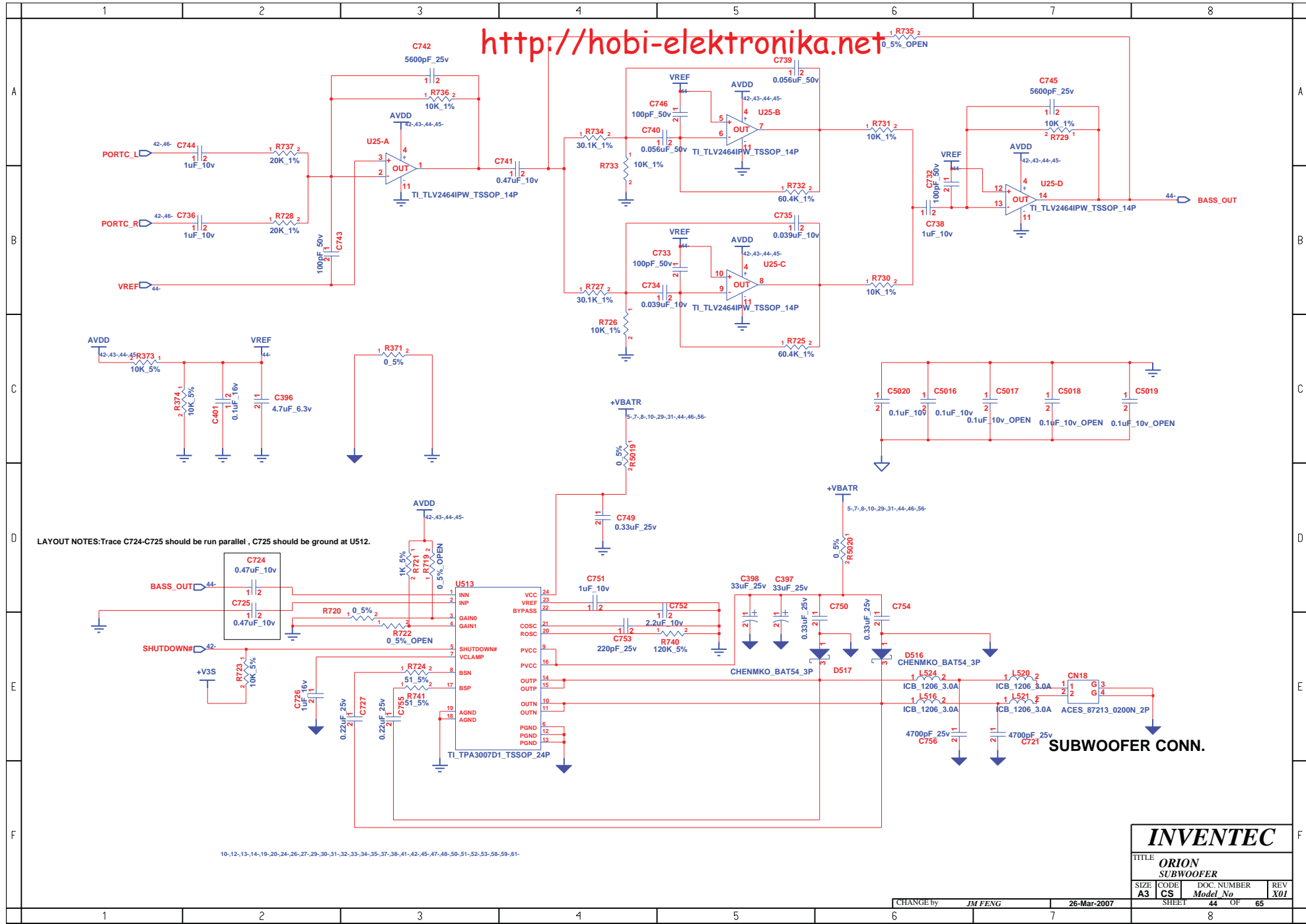
<http://hobi-elektronika.net>



INVENTEC

TITLE			
ORION			
AUDIO JACK SENSE			
SIZE	CODE	DOC. NUMBER	REV
A3	CS	Model No	X01
CHANGE by		SHEET	
JM FENG		43 OF 65	

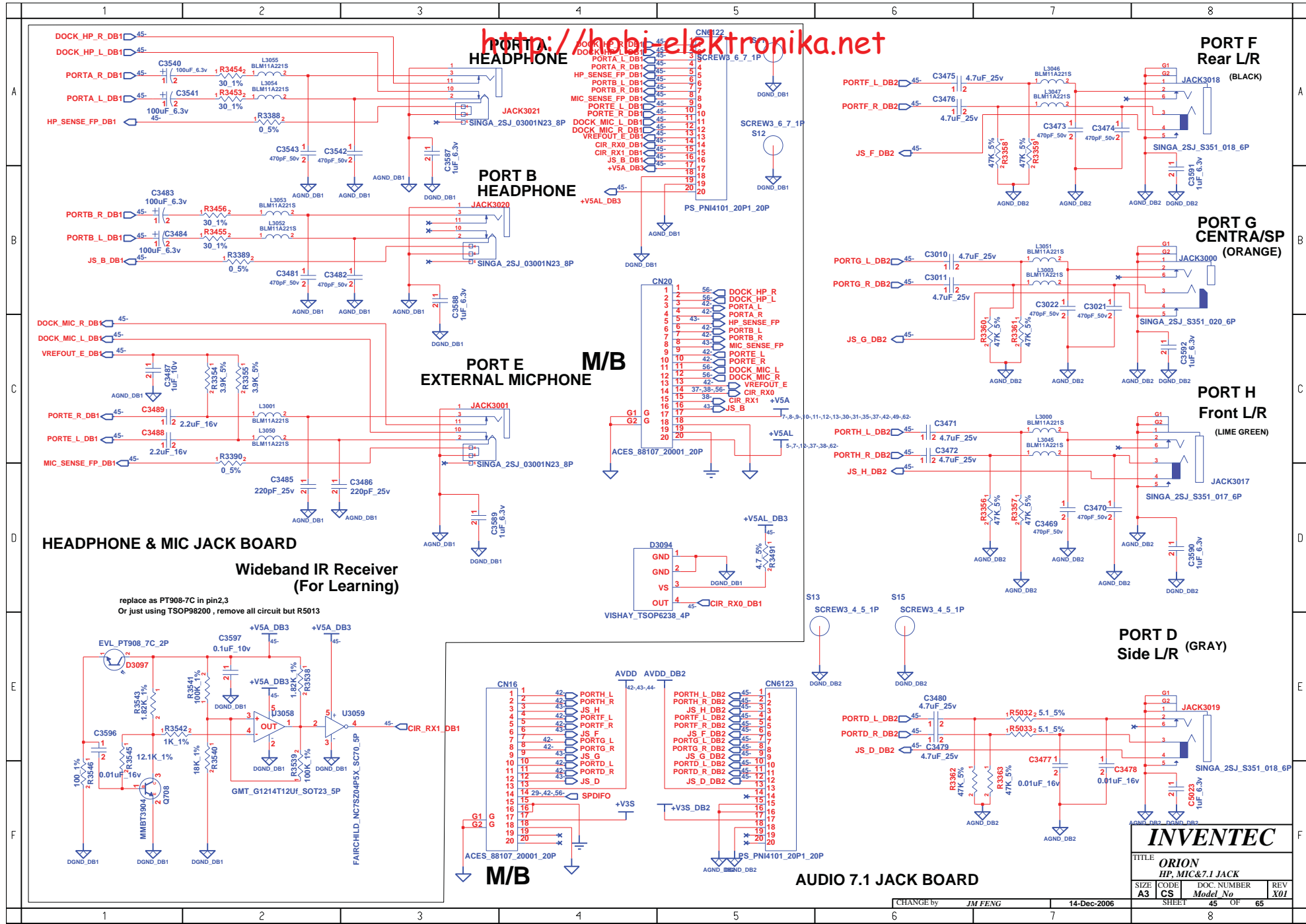
<http://hobi-elektronika.net>



LAYOUT NOTES: Trace C724-C725 should be run parallel, C725 should be ground at U512.

10-12-13-14-19-20-24-26-27-29-30-31-32-33-34-35-37-38-41-42-45-47-48-50-51-52-53-58-59-61-

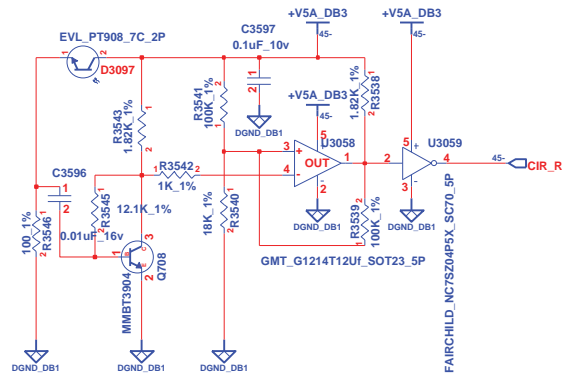
INVENTEC			
TITLE ORION SUBWOOFER			
SIZE A3	CODE CS	DOC. NUMBER Model No	REV X01
CHANGE by JM FENG		26-Mar-2007	
SHEET 44		OF 65	



HEADPHONE & MIC JACK BOARD

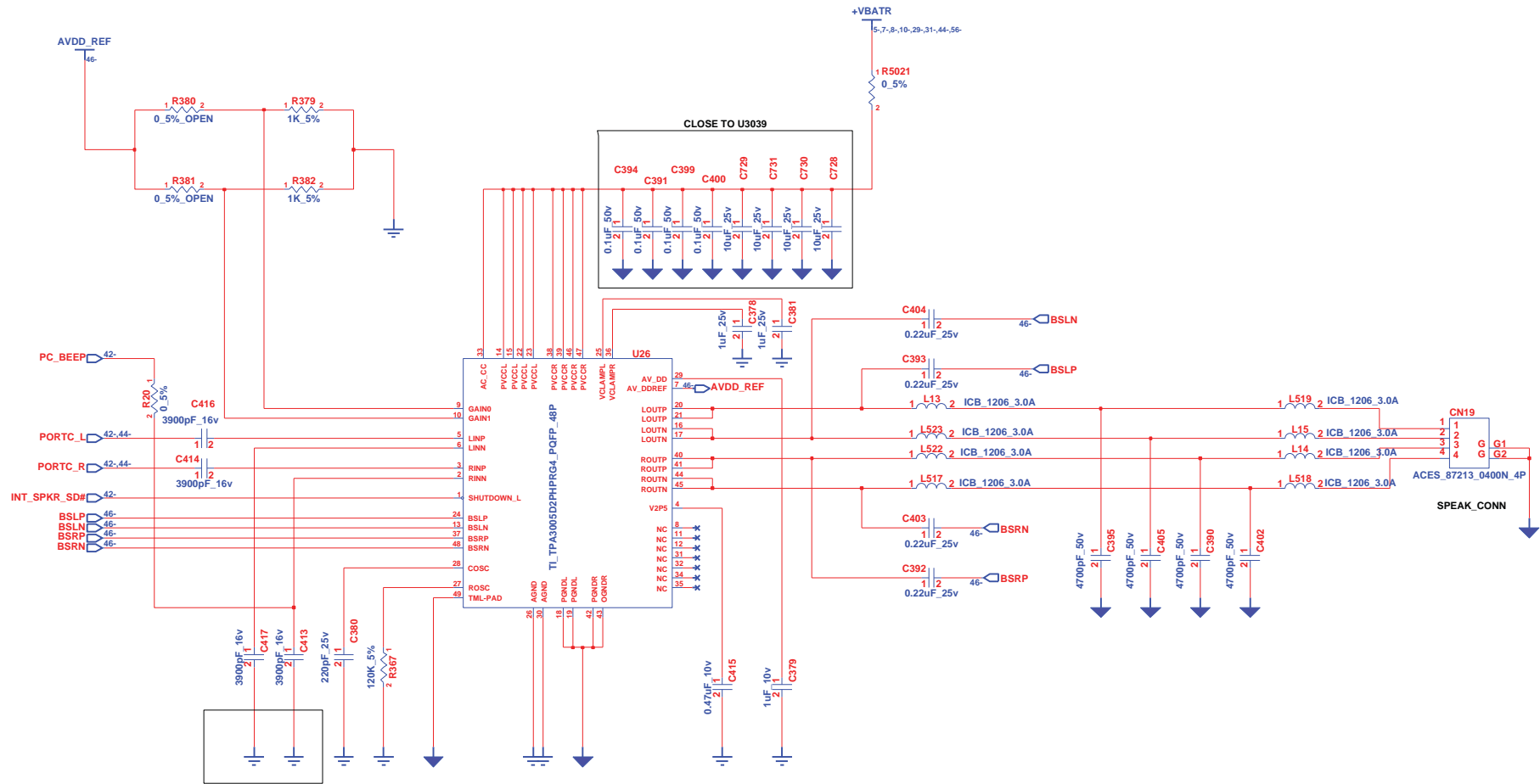
Wideband IR Receiver (For Learning)

replace as PT908-7C in pin2,3
Or just using TSOP98200, remove all circuit but R5013



INVENTEC			
TITLE			
ORION			
HP, MIC & 7.1 JACK			
SIZE	CODE	DOC. NUMBER	REV
A3	CS	Model No	X01
CHANGE by		14-Dec-2006	
J.M. FENG			
SHEET		45	OF 65

<http://hobi-elektronika.net>



Layout Note: Trace should be parallel to traces for C414 , C416 ,and connect to AGND of U512

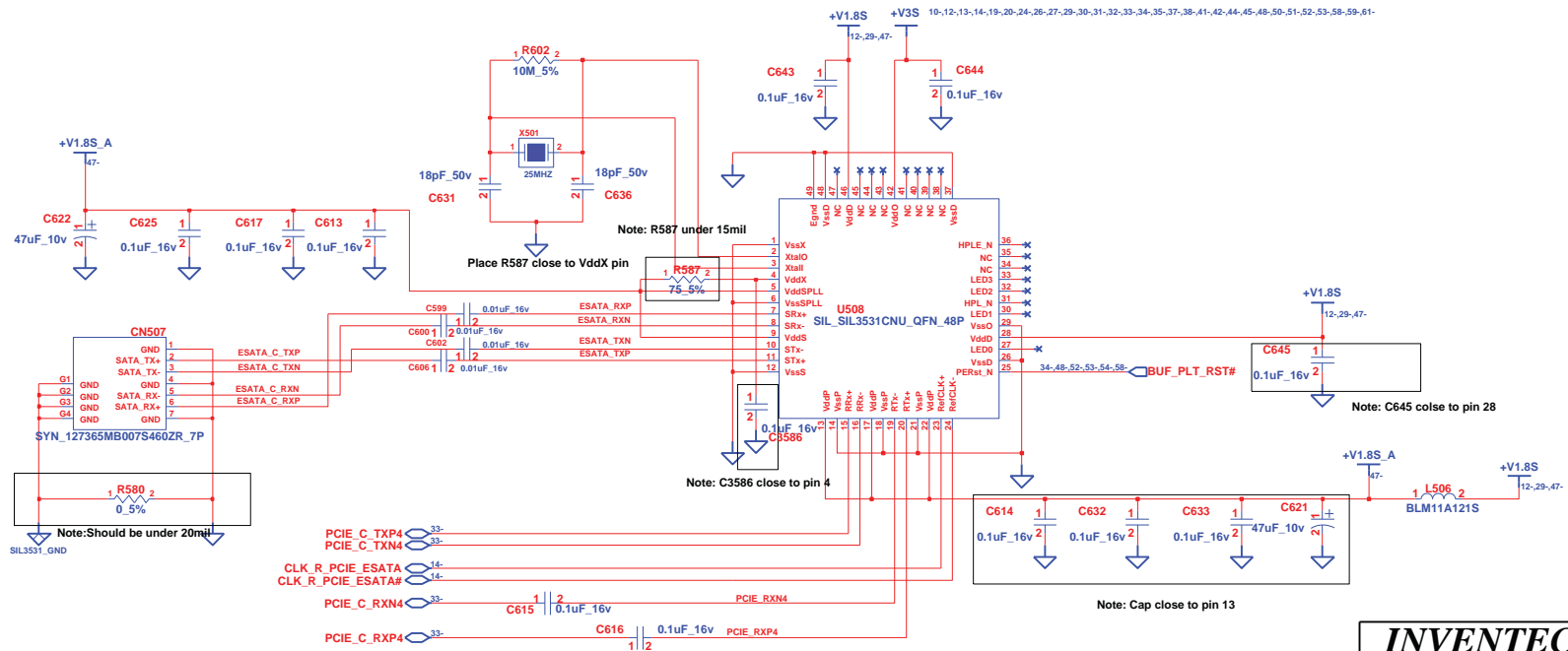
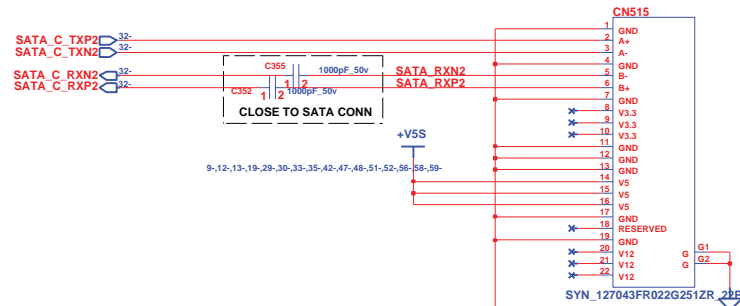
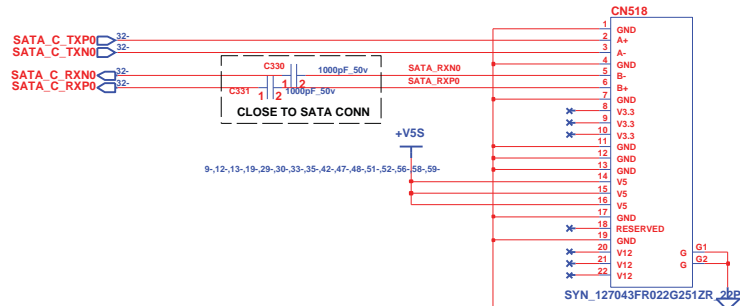
INVENTEC

TITLE
SPEAK CONN.

SIZE A3	CODE CS	DOC. NUMBER 46 OF 65	REV SHEET
------------	------------	-------------------------	--------------

CHANGE by ORION 21-May-2007

<http://hobi-elektronika.net>

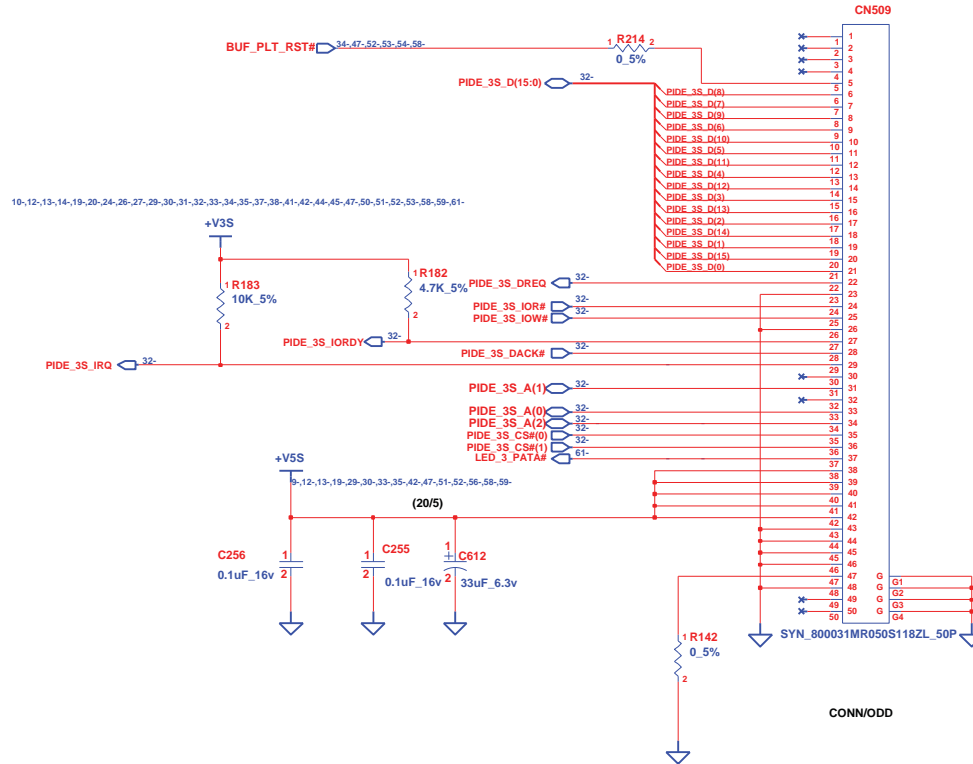


INVENTEC

TITLE			
ORION			
ESATA / SATA CONN			
SIZE	CODE	DOC. NUMBER	REV
A3	CS	Model No	X01
SHEET		47	OF 65

CHANGE by JM FENG 4-Jan-2007

<http://hobi-elektronika.net>

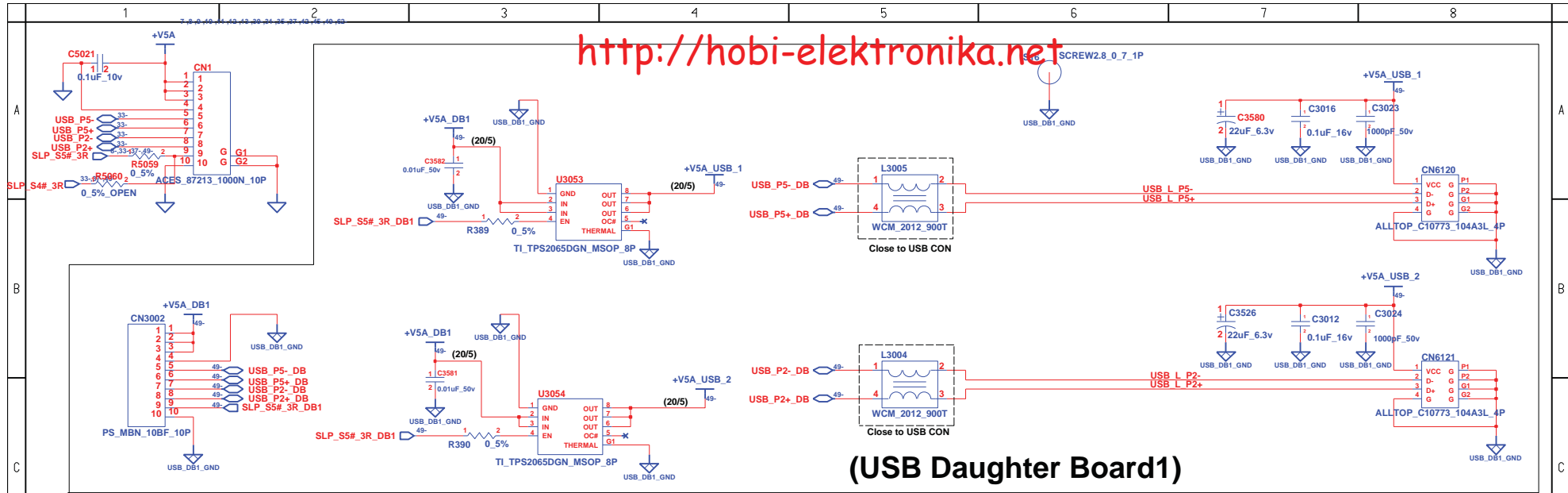


INVENTEC

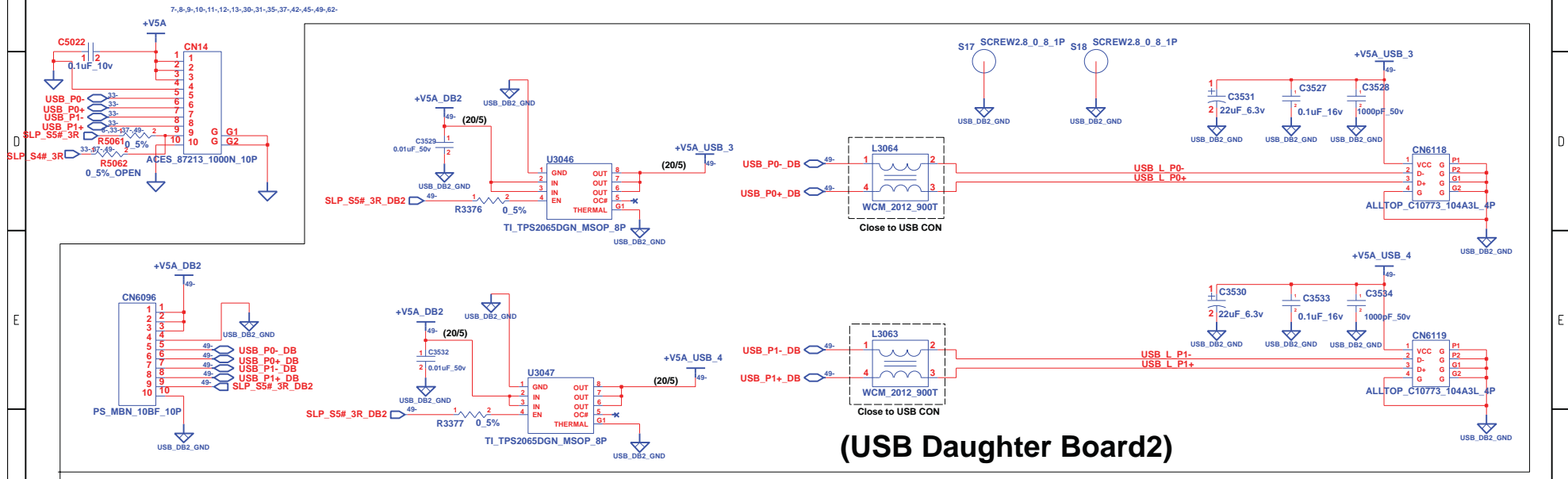
TITLE			
ORION			
ODD CONN			
SIZE	CODE	DOC. NUMBER	REV
A3	CS	Model No	X01
SHEET		48	OF 65

CHANGE by JM FENG 18-Oct-2006

<http://hobi-elektronika.net>



(USB Daughter Board1)

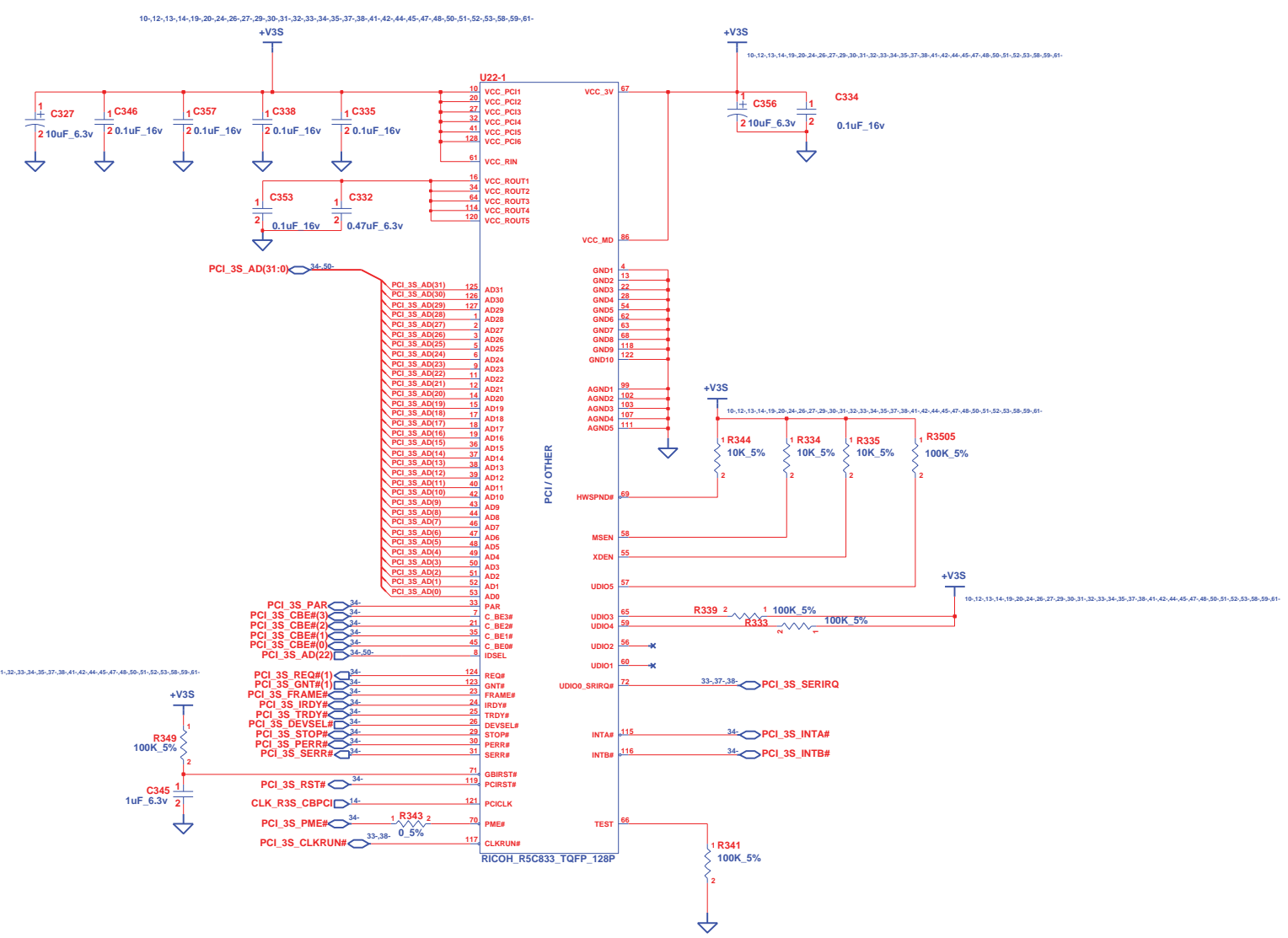


(USB Daughter Board2)

INVENTEC

TITLE			
ORION USB CONN			
SIZE	CODE	DOC. NUMBER	REV
A3	CS	Model No	X01

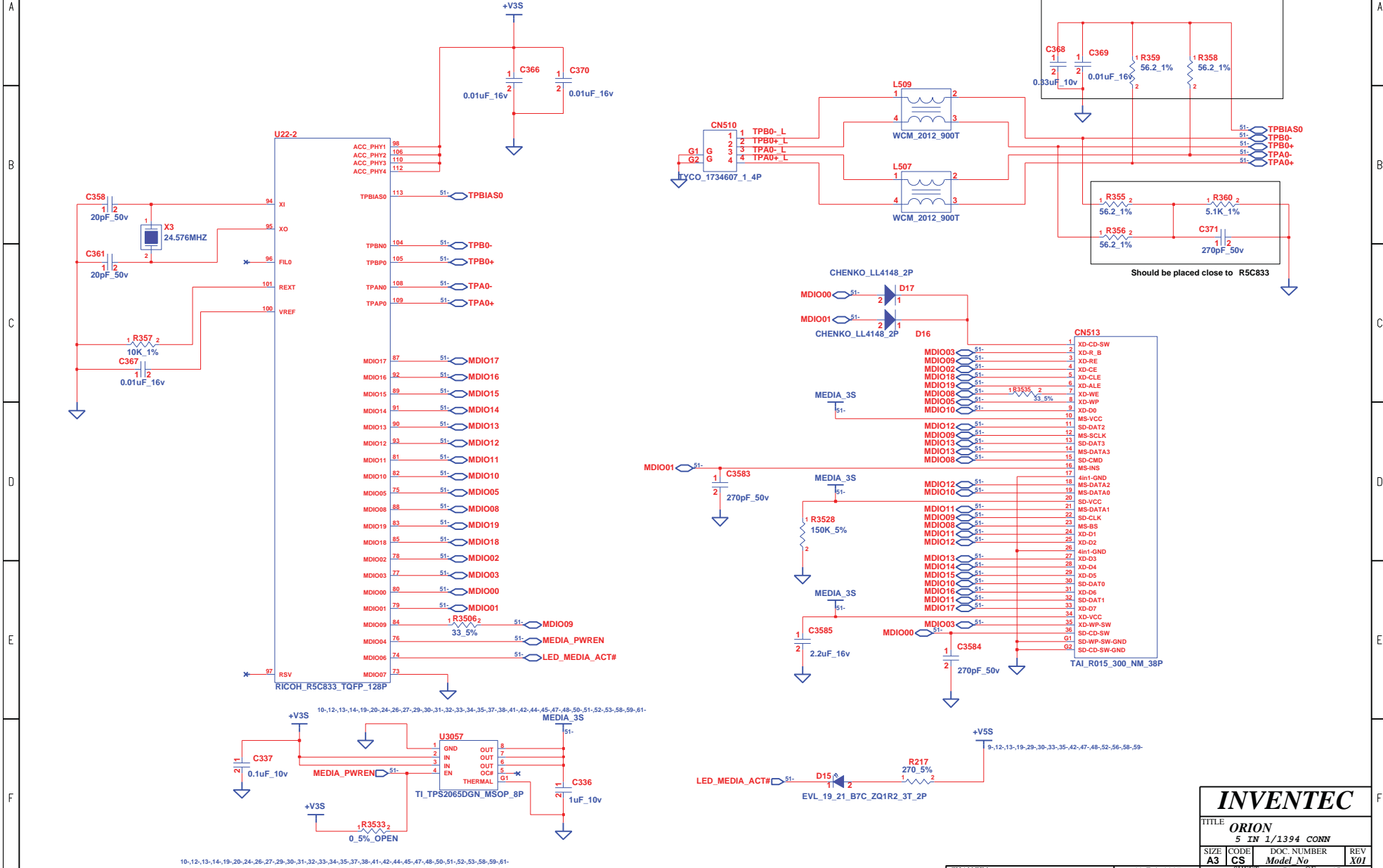
<http://hobi-elektronika.net>



INVENTEC			
TITLE ORION			
5 IN1/1394 CONN			
SIZE A3	CODE CS	DOC. NUMBER <i>Model No</i>	REV X01
CHANGE by JM FENG		7-Feb-2007	
SHEET 50		OF 65	

<http://hobi-elektronika.net>

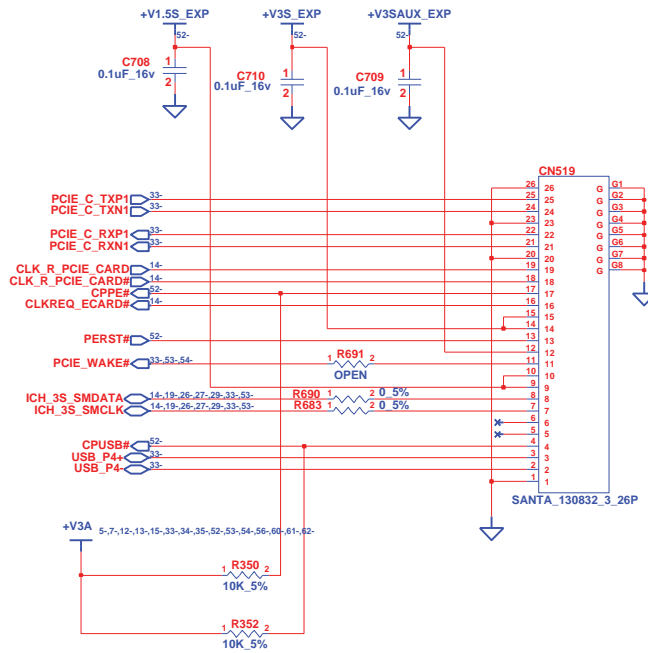
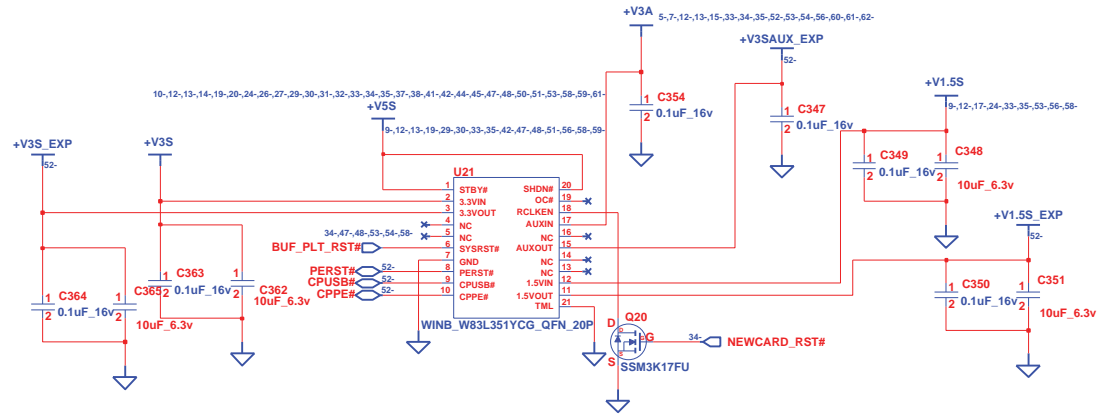
10-12-13-14-19-20-24-26-27-29-30-31-32-33-34-35-37-38-41-42-44-45-47-48-50-51-52-53-58-59-61-



10-12-13-14-19-20-24-26-27-29-30-31-32-33-34-35-37-38-41-42-44-45-47-48-50-51-52-53-58-59-61-

INVENTEC			
TITLE ORION			
5 IN 1/1394 CONN			
SIZE A3	CODE CS	DOC NUMBER Model No	REV X01
SHEET 51		OF 65	

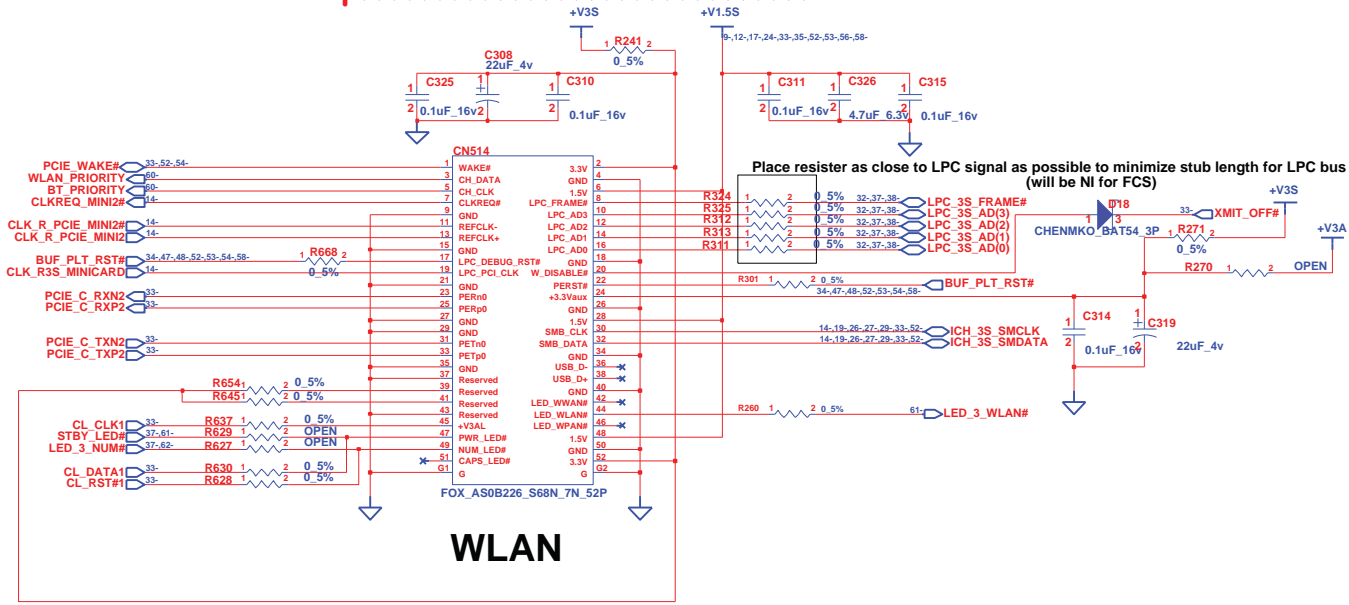
<http://hobi-elektronika.net>



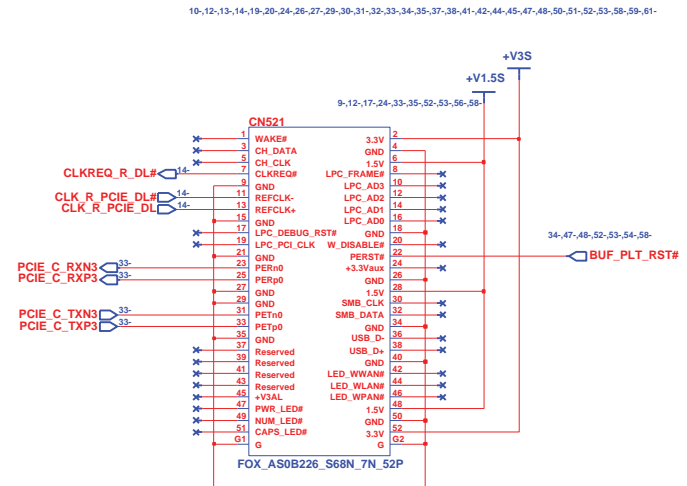
INVENTEC

TITLE			
ORION			
Expresscard Conn.			
SIZE	CODE	DOC. NUMBER	REV
A3	CS	Model No	X01
CHANGE by		JM FENG	21-Sep-2006
SHEET		52	OF 65

<http://hobi-elektronika.net>



WLAN

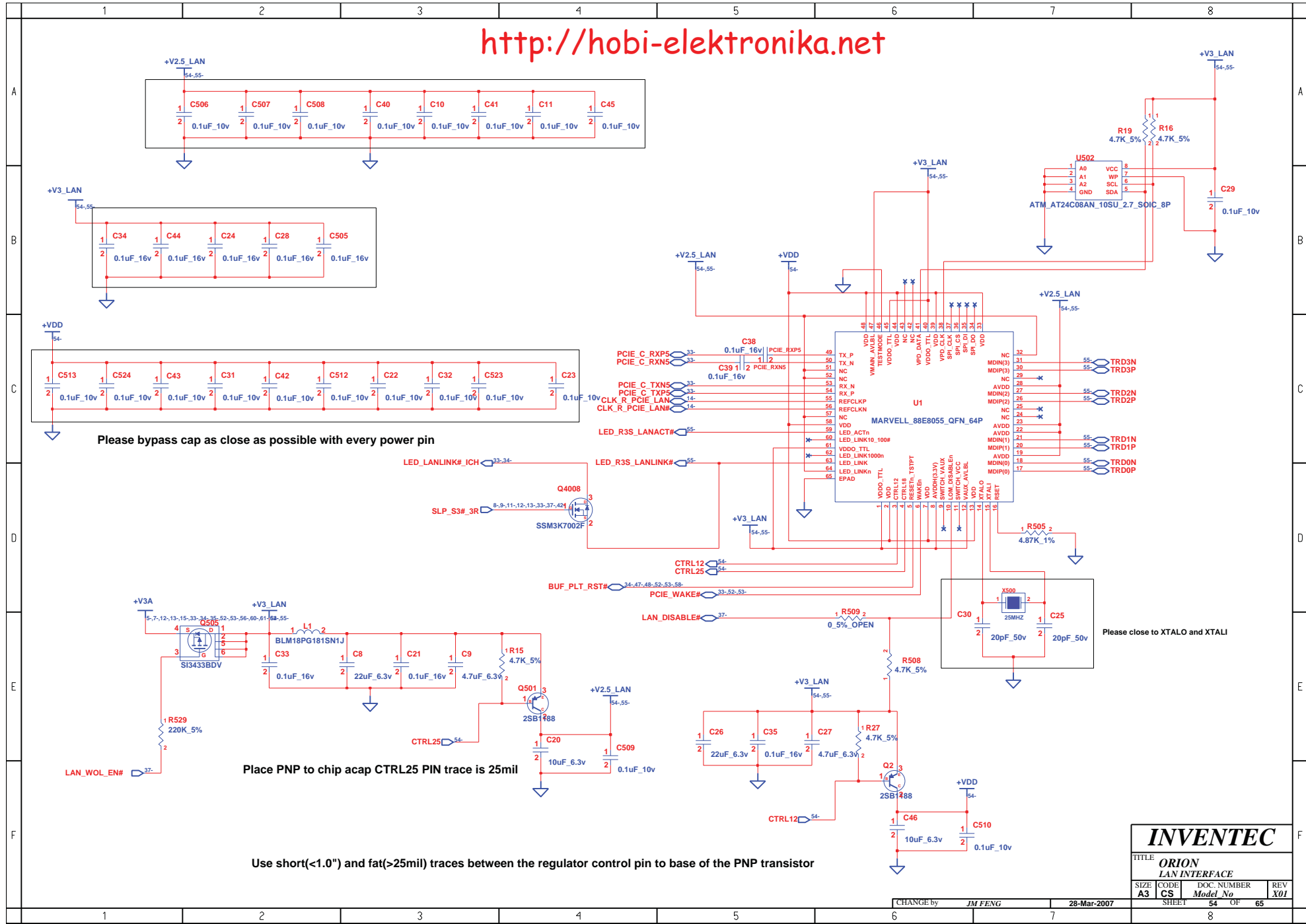


Spare Mini-Card

10-12-13-14-19-20-24-26-27-29-30-31-32-33-34-35-37-38-41-42-44-45-47-48-50-51-52-53-55-59-61-5-7-15-16-33-34-35-52-54-56-60-61-62-

INVENTEC			
TITLE ORION			
MINICARD CONN			
SIZE A3	CODE CS	DOC. NUMBER Model No	REV X01
SHEET 53		OF 65	

<http://hobi-elektronika.net>



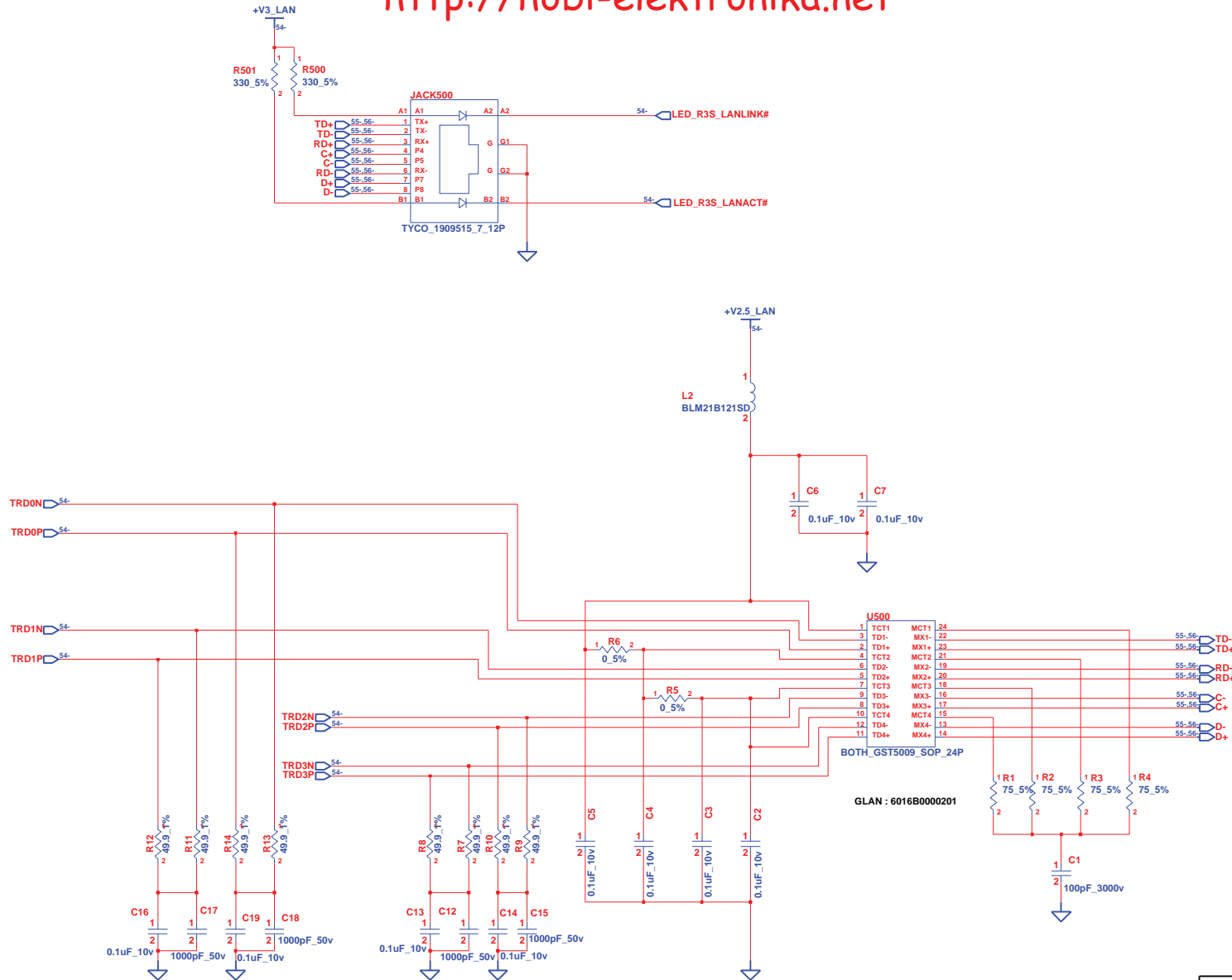
Please bypass cap as close as possible with every power pin

Place PNP to chip a cap CTRL25 PIN trace is 25mil

Please close to XTALO and XTALI

INVENTEC			
TITLE ORION LAN INTERFACE			
SIZE A3	CODE CS	DOC. NUMBER Model No	REV X01
CHANGE by JM FENG		28-Mar-2007	SHEET 54 OF 65

<http://hobi-elektronika.net>



LAYOUT NOTE : Place termination resistors and caps as close to LAN controller as possible

INVENTEC

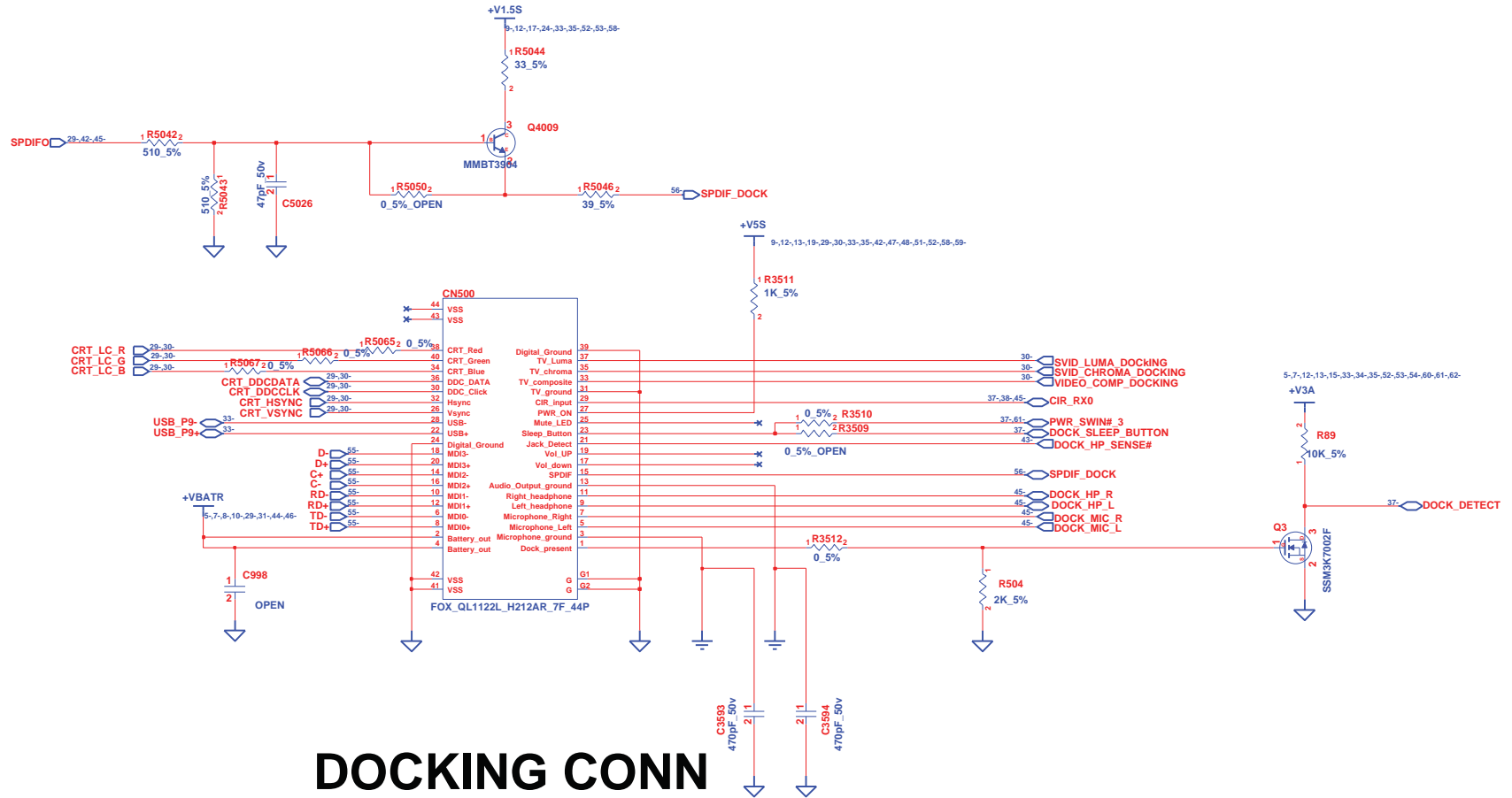
TITLE
ORION
Transformer&RJ45

SIZE A3	CODE CS	DOC. NUMBER <i>Model No</i>	REV X01
-------------------	-------------------	--------------------------------	-------------------

CHANGE by *JM FENG* 14-Dec-2006

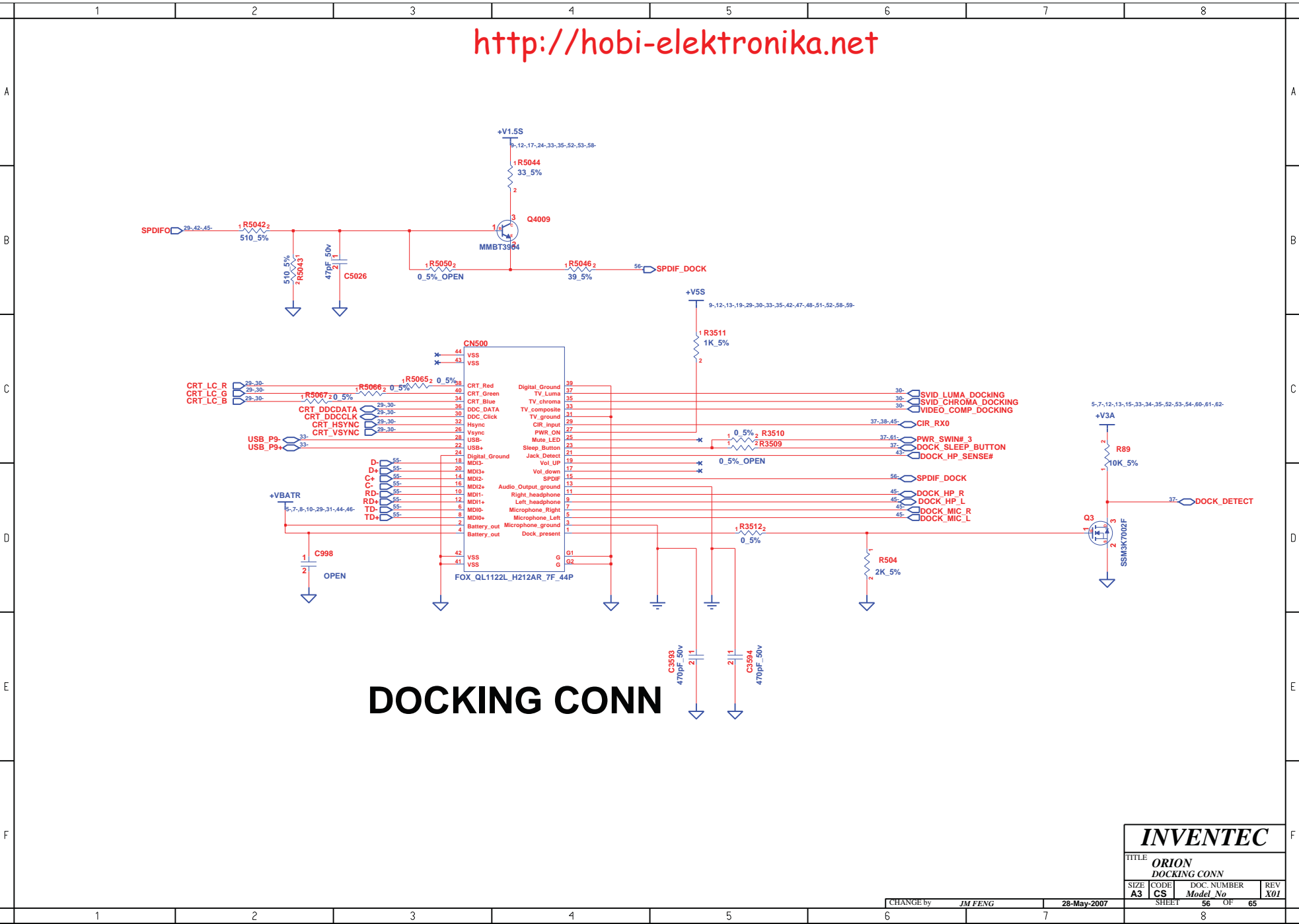
SHEET 55 OF 65

<http://hobi-elektronika.net>

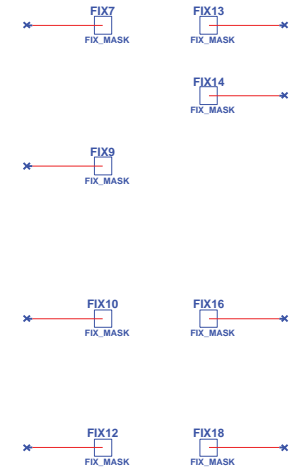
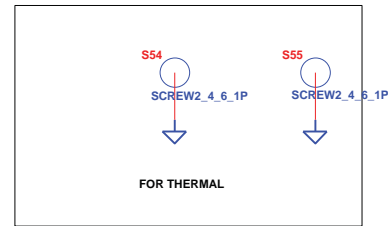
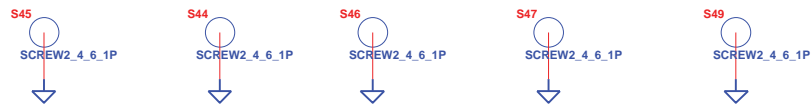
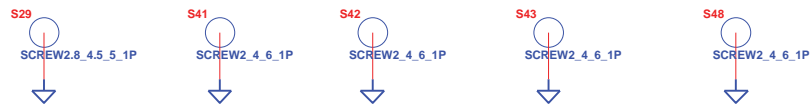


DOCKING CONN

INVENTEC			
TITLE ORION DOCKING CONN			
SIZE A3	CODE CS	DOC. NUMBER <i>Model No</i>	REV X01
CHANGE by <i>JM FENG</i>		28-May-2007	
SHEET 56		OF 65	



<http://hobi-elektronika.net>



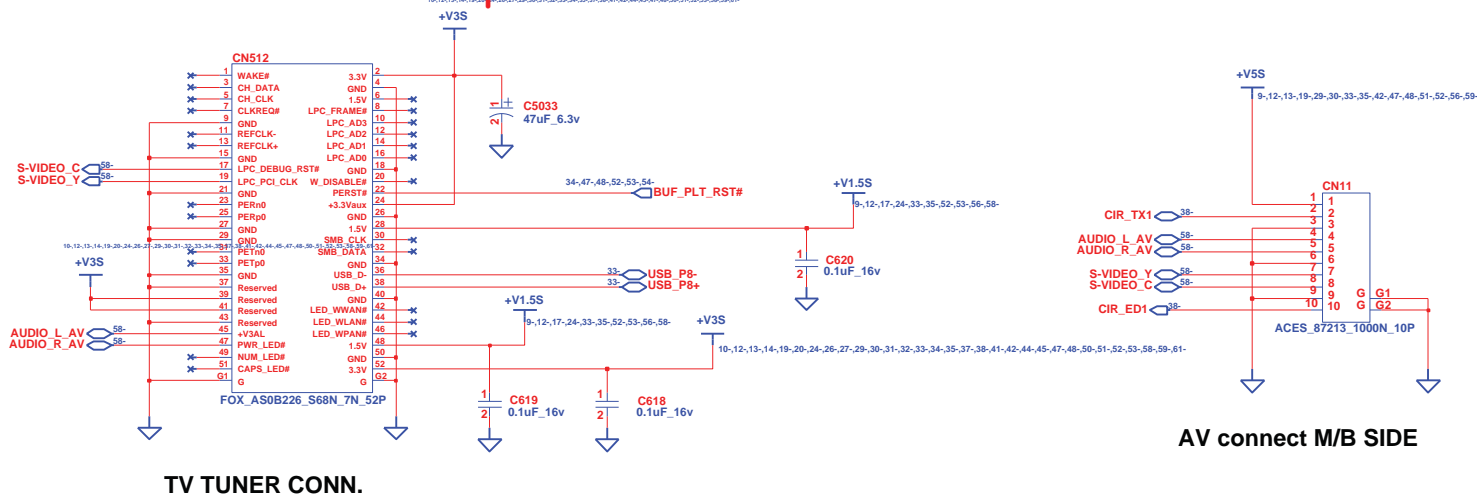
INVENTEC

TITLE			
ORION			
SCREW			
SIZE	CODE	DOC. NUMBER	REV
A3	CS	Model No	X01
CHANGE by		SHEET	
JM FENG		57 OF 65	

26-Mar-2007

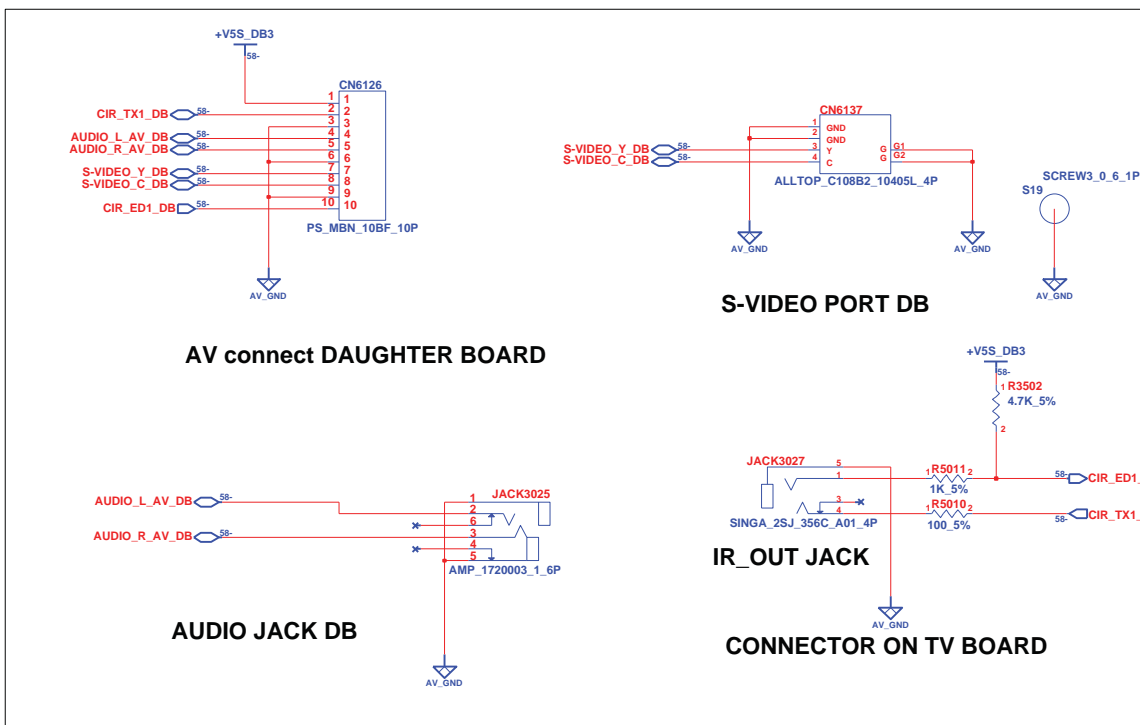
8

<http://hobi-elektronika.net>



TV TUNER CONN.

AV connect M/B SIDE



AV connect DAUGHTER BOARD

AUDIO JACK DB

S-VIDEO PORT DB

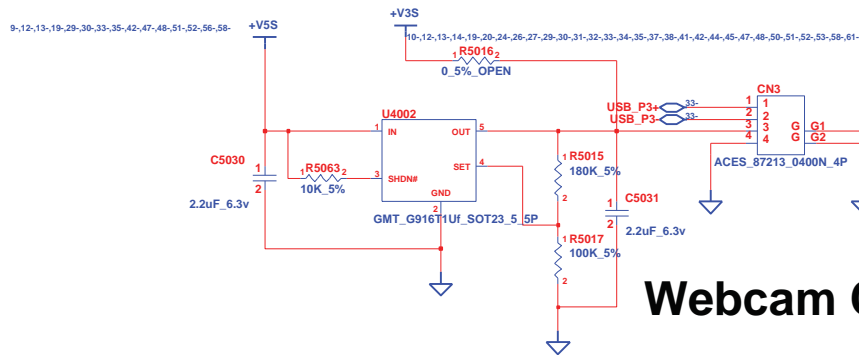
IR_OUT JACK

CONNECTOR ON TV BOARD

INVENTEC

TITLE			
ORION			
TV Tuner CONN.			
SIZE	CODE	DOC. NUMBER	REV
A3	CS	Model No	X01
SHEET		OF	
58		65	

<http://hobi-elektronika.net>

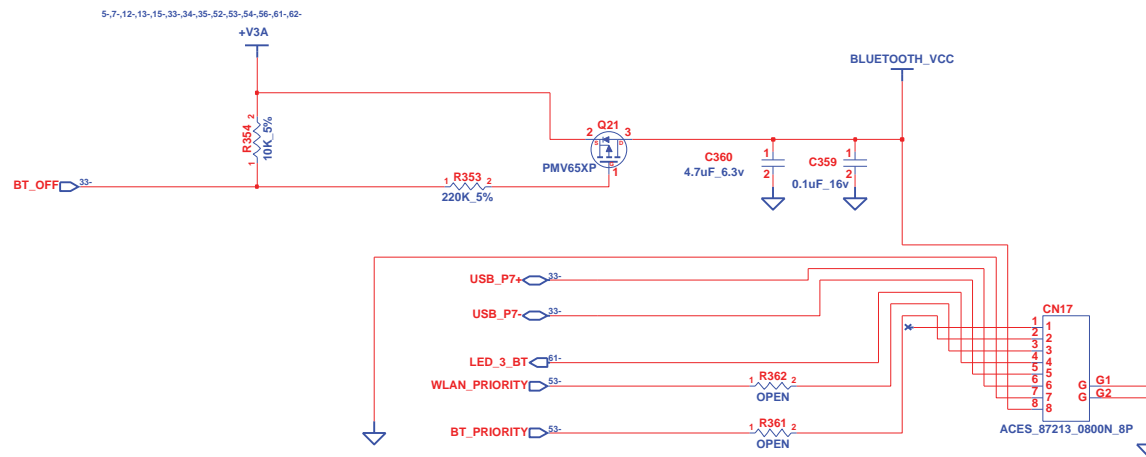


Webcam CONN

INVENTEC

TITLE			
ORION			
WEBCAM CONN.			
SIZE	CODE	DOC. NUMBER	REV
A3	CS	Model No	X01
CHANGE by		JM FENG	28-May-2007
SHEET		59	OF 65

<http://hobi-elektronika.net>

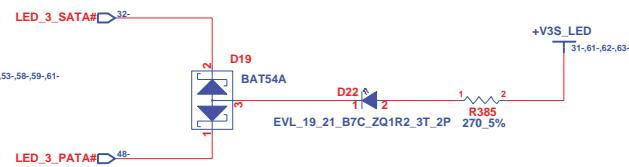
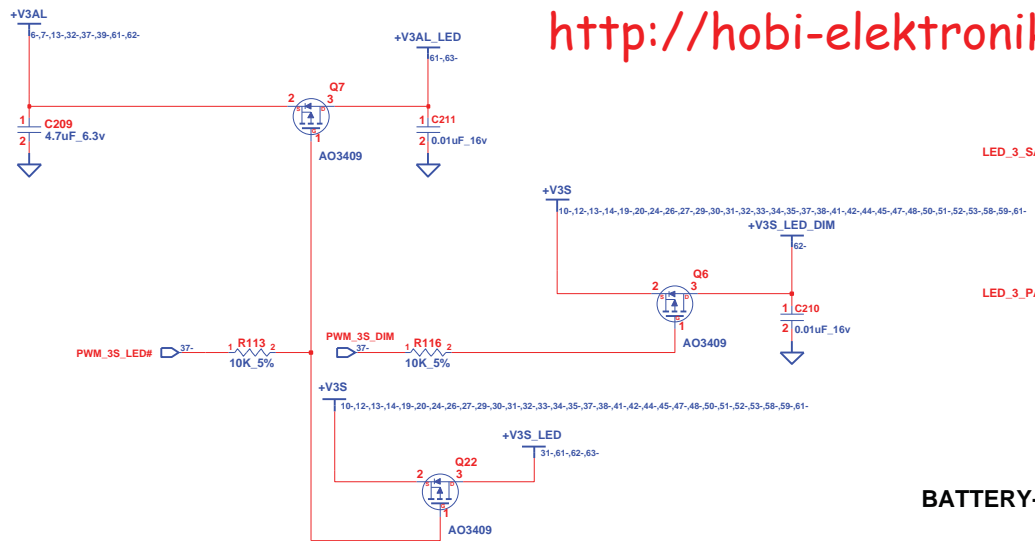


INVENTEC

TITLE			
ORION			
BLUETOOTH CONN			
SIZE	CODE	DOC. NUMBER	REV
A3	CS	Model No	X01
SHEET		OF	65
8			

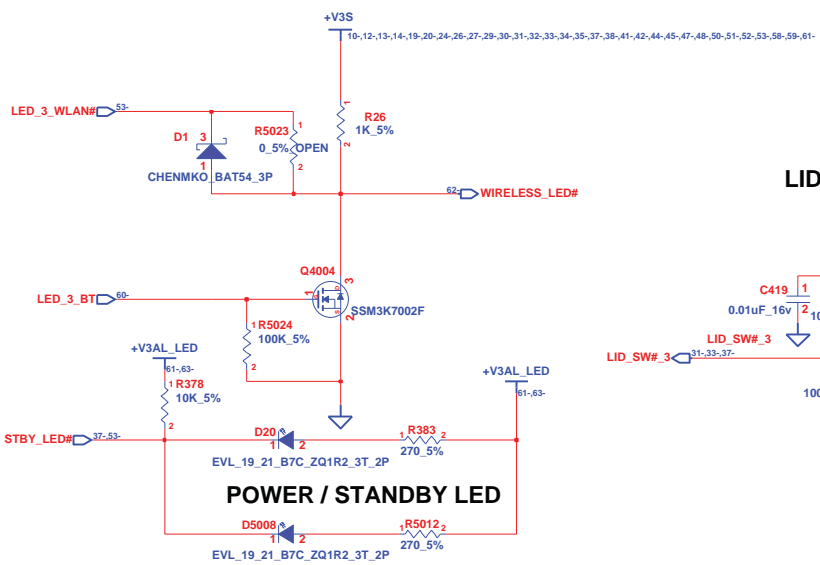
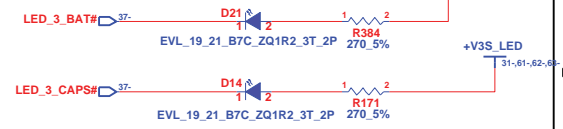
CHANGE by JM FENG 24-Dec-2006

<http://hobi-elektronika.net> HDD & ODD LED



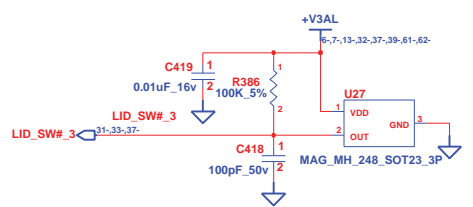
BATTERY-CHARGE LED

CAP LOCK LED

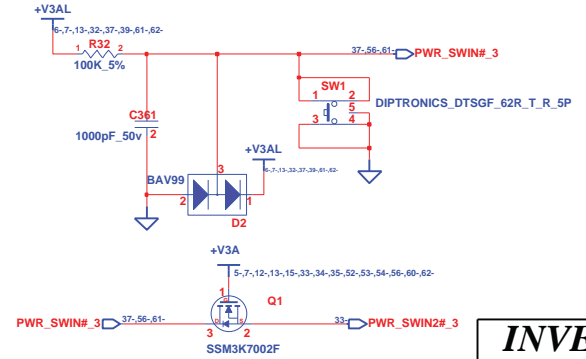


POWER / STANDBY LED

LID SWITCH



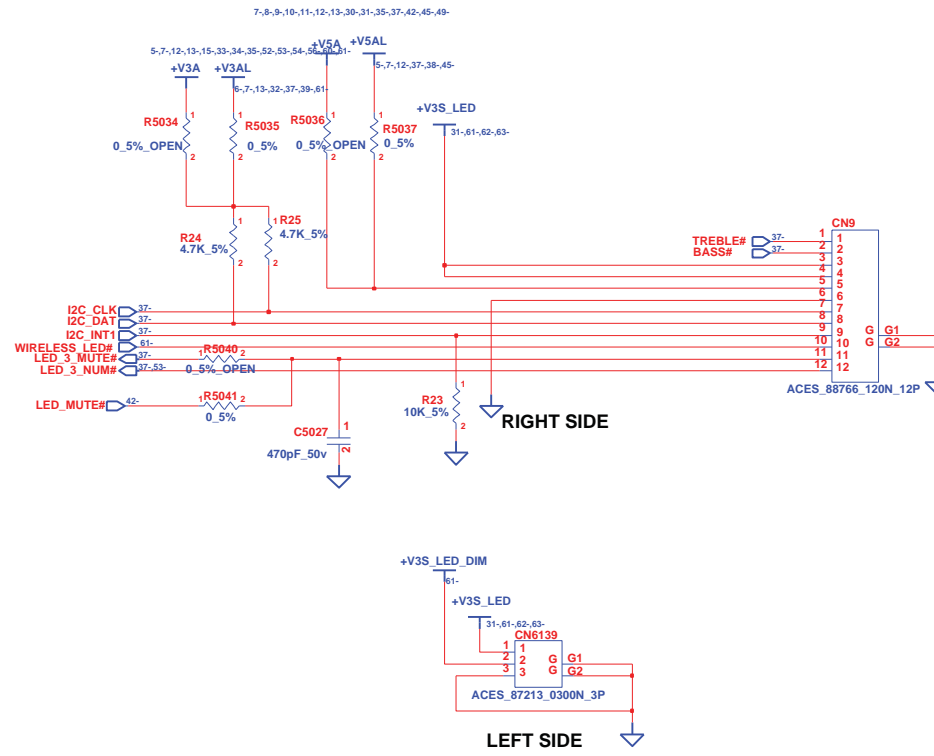
POWER SWITCH



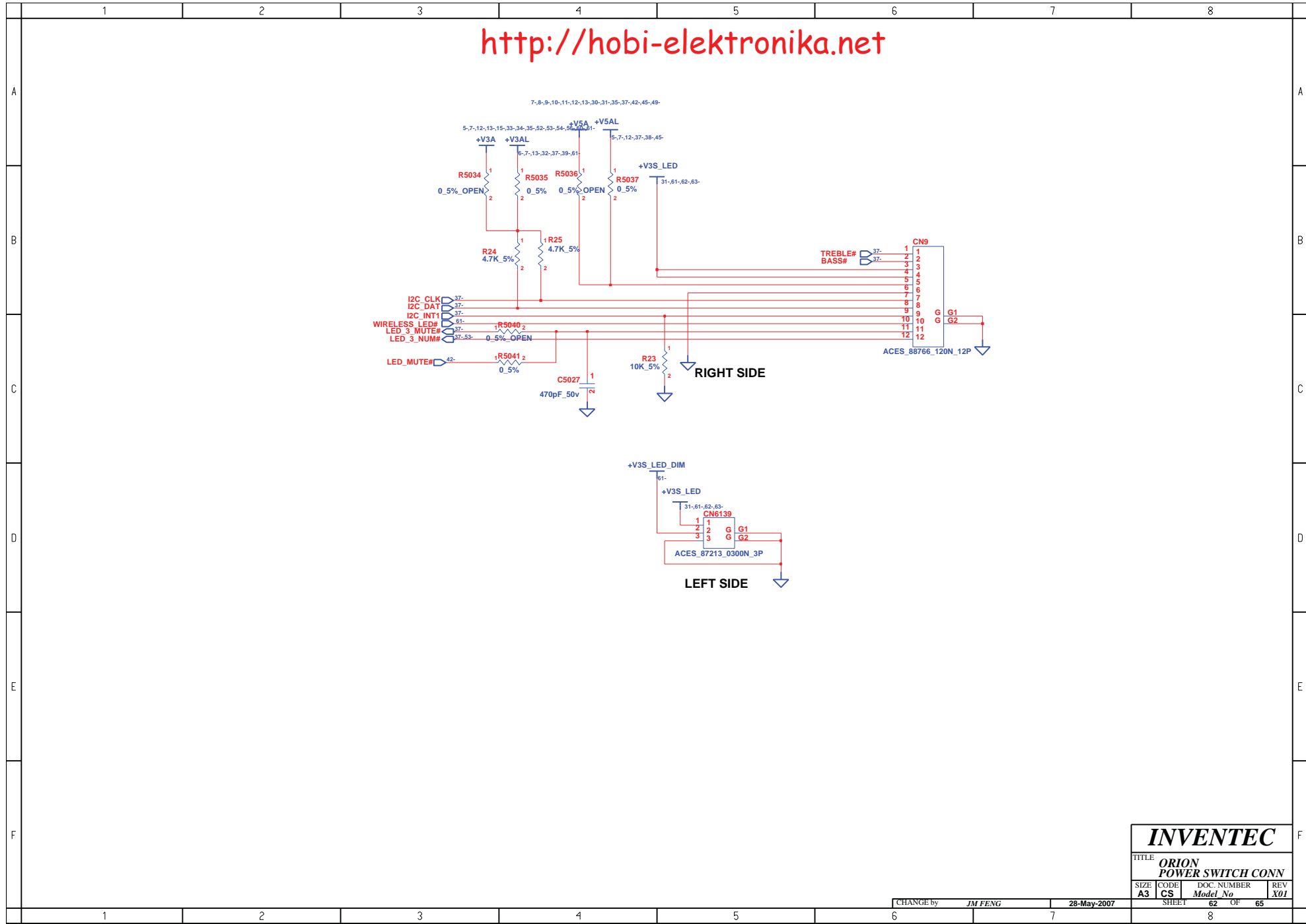
INVENTEC

TITLE			
ORION			
PWR & LID SWITCH & LEDS			
SIZE	CODE	DOC. NUMBER	REV
A3	CS	Model No	X01
SHEET		OF	
61		65	

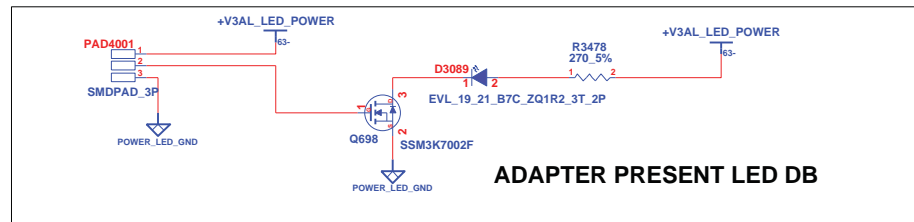
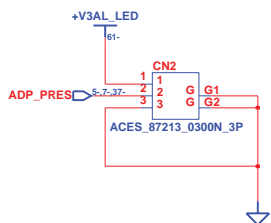
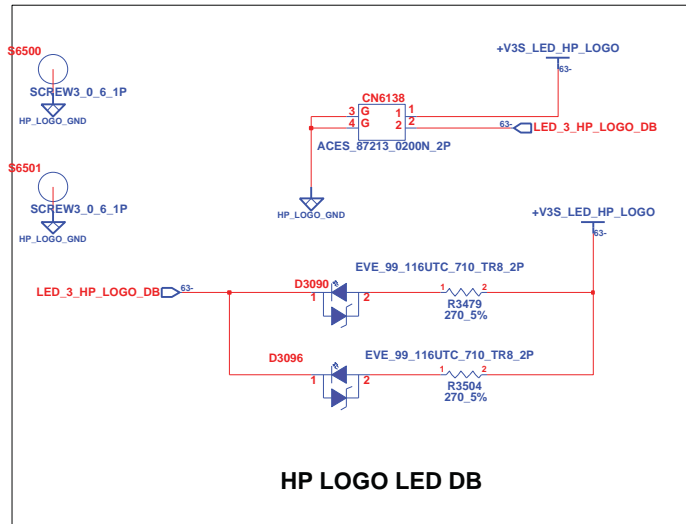
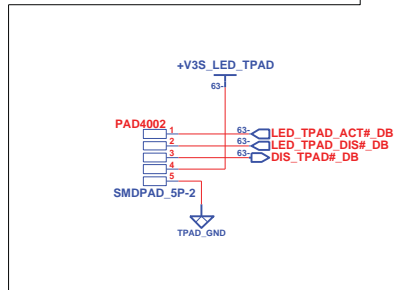
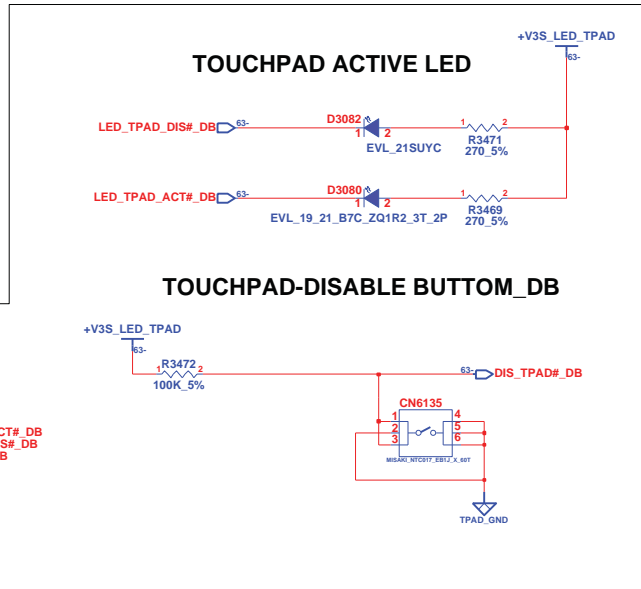
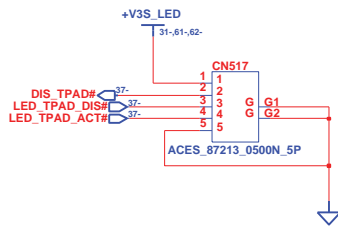
<http://hobi-elektronika.net>



INVENTEC			
TITLE ORION POWER SWITCH CONN			
SIZE A3	CODE CS	DOC. NUMBER <i>Model No</i>	REV X01
CHANGE by <i>JM FENG</i>		28-May-2007	
SHEET		62	OF 65



<http://hobi-elektronika.net>



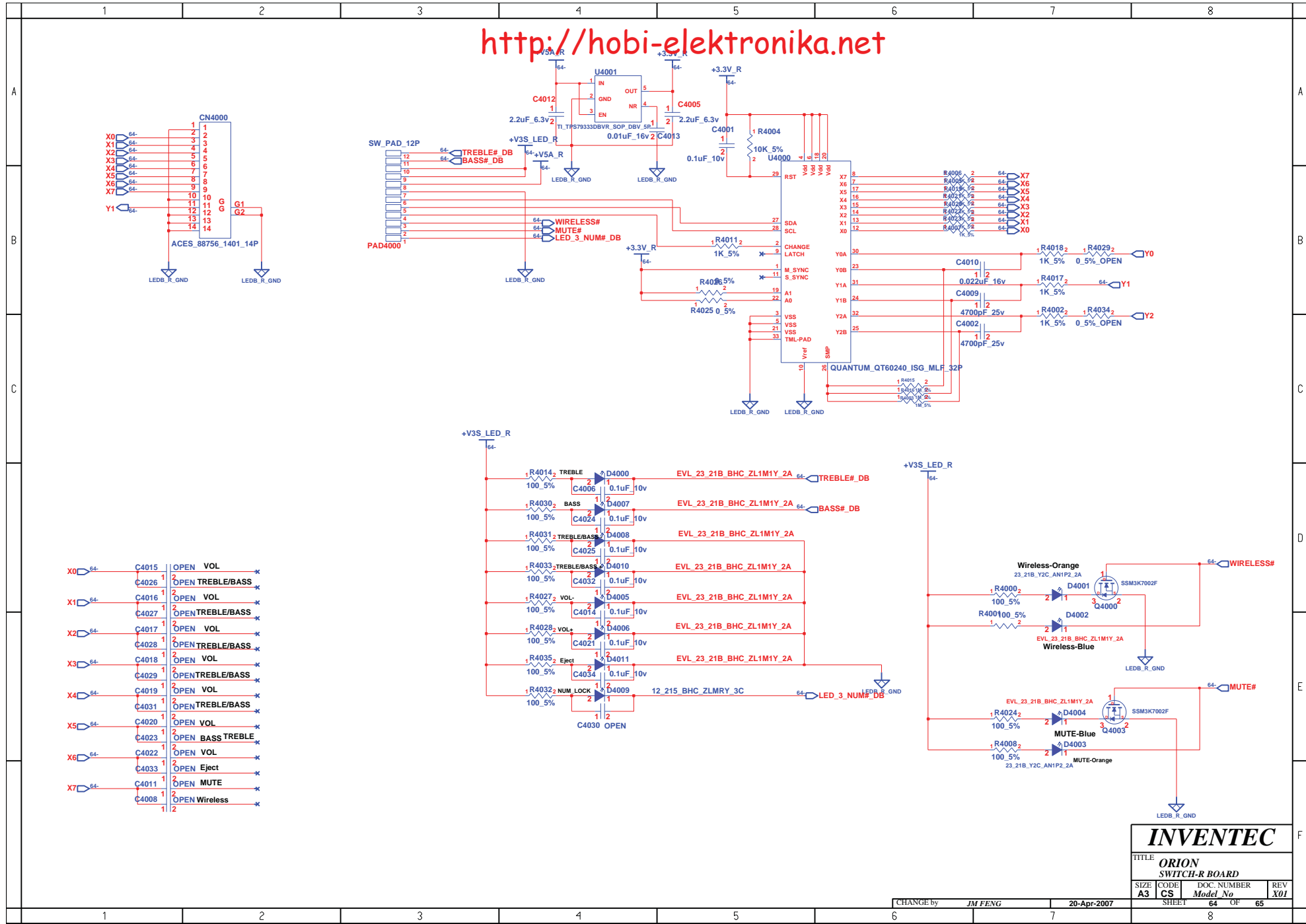
INVENTEC

TITLE			
ORION			
PWR & SWITCH & LEDS			
SIZE	CODE	DOC. NUMBER	REV
A3	CS		

CHANGE by ORION 13-Dec-2006

SHEET 63 OF 65

<http://hobi-elektronika.net>

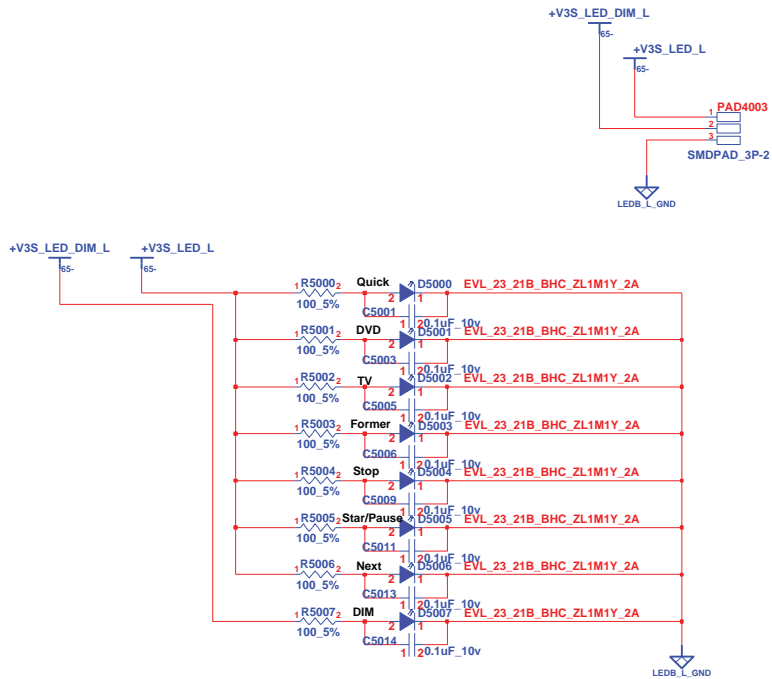


INVENTEC

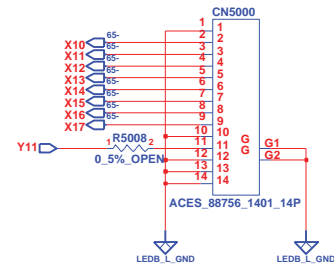
TITLE
**ORION
 SWITCH-R BOARD**

SIZE A3	CODE CS	DOC. NUMBER Model No	REV X01
CHANGE by JM FENG		20-Apr-2007	SHEET 64 OF 65

<http://hobi-elektronika.net>



- X10 65- QuickC5000 1 | OPEN ✗
- X11 65- DVD C5002 1 | OPEN ✗
- X12 65- TV C5004 1 | OPEN ✗
- X13 65- FormeC5007 1 | OPEN ✗
- X14 65- Stop C5008 1 | OPEN ✗
- X15 65- Star/Pause 10 1 | OPEN ✗
- X16 65- Next C5012 1 | OPEN ✗
- X17 65- DIM C5015 1 | OPEN ✗



INVENTEC

TITLE			
ORION SWITCH-L BOARD			
SIZE	CODE	DOC. NUMBER	REV
A3	CS	Model No	X01

CHANGE by JM FENG 12-Feb-2007

SHEET 65 OF 65