

BIXBY 1.1

MV BUILD

2009-07-22

DATE	CHANGE NO.	REV
2009/04/01	2009-ECO-005677	D
2009/03/30	2009-ECO-005373	C
2009/03/27	2009-ECO-005259	B
2009/03/23	2009-ECO-004754	A

<http://hobi-elektronika.net>

DRAWER	EE	DATE	POWER	DATE	TITLE						
Chang, Irene	2009-APR-03	Ho, Wen-Pin	2009-APR-03	INVENTEC BIXBY-MB							
Wu, Bruce	2009-APR-03	Ho, Wen-Pin	2009-APR-03								
Wu, Bruce	2009-APR-03	Ho, Wen-Pin	2009-APR-03								
Wu, Bruce	2009-APR-03	Ho, Wen-Pin	2009-APR-03								
SIZE =	3	VER :	A03	SIZE	A3	CODE	CS	DOC. NUMBER	1310A22623-0-MTR	REV	A
FILE NAME :	BIXBY-6050A2262301-MB-A03-35			SHEET	1	OF	56				
PN	6050A221S101										

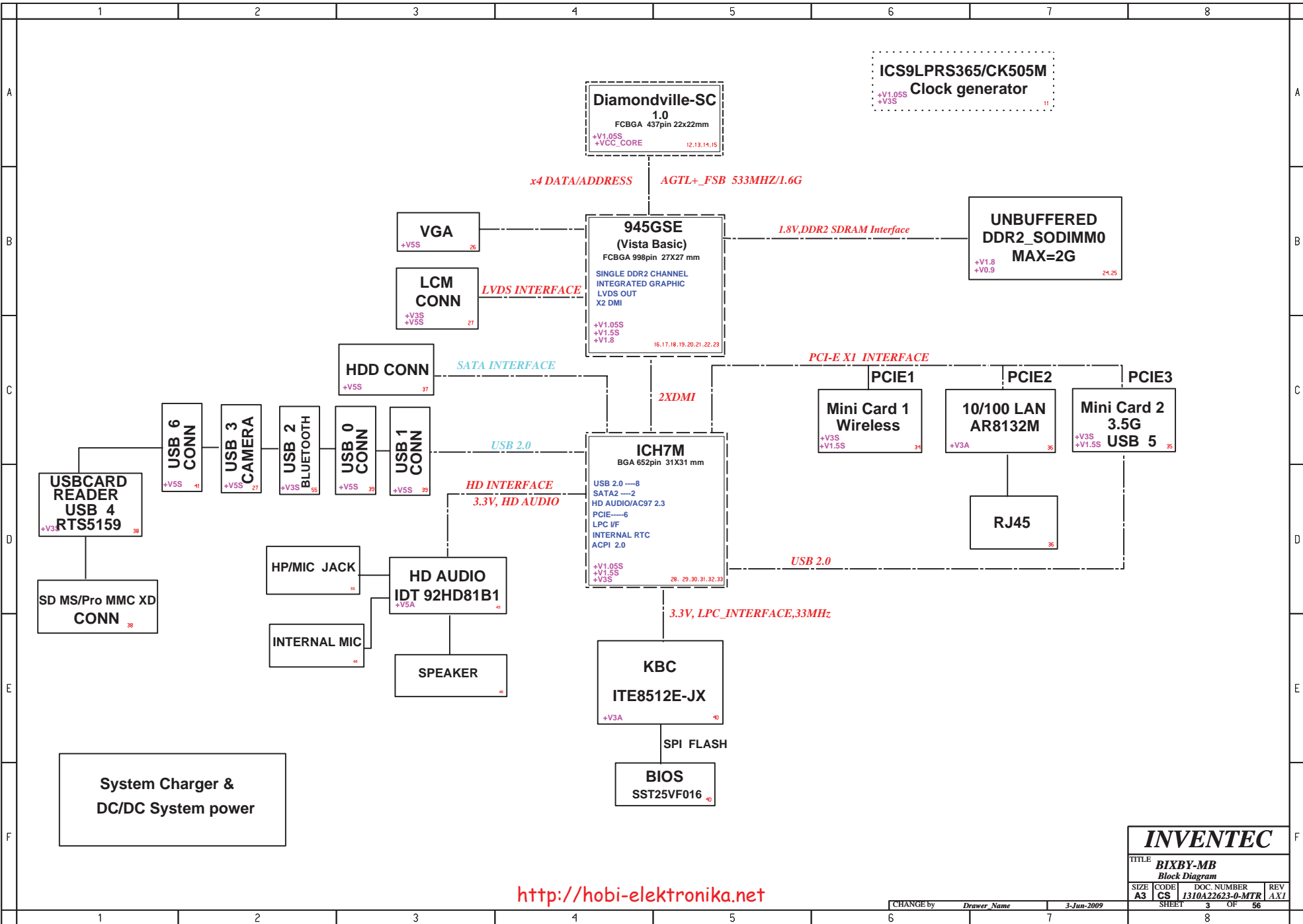
TABLE OF CONTENTS

PAGE	PAGE
1. COVER PAGE	35.MINI CARD 2 (FOR 3.5G) & SIM SLOT
2. INDEX	36.LAN CONTROLLER & RJ45
3. BLOCK DIAGRAM	37.SATA CONN
4. POWER SEQUENCE BLOCK	38.CARD READER(5 IN 1)
5. SYSTEM POWER (3V/5V)	39.USB 0,USB1
6. SYSTEM POWER (+V1.05S/+V1.8)	40.KBC
7. CPU CORE POWER	41.KEYBOARD CONN
8.+V1.5S / +V0.9S	42. ALL LED AND LID SWITCH
9-10. POWER SLEEP	43. BLUETOOTH
11.CLOCK GENERATOR & ICS9LPRS365	44.EMI CAP
12-14.INTEL DIAMONDVILLE -1	45.AUDIO CONTROLLER
15.CPU VSS & THERMAL & FAN	46. SPK CONN, MIC CONN, DC BOARD CONN
15.FAN & THERMAL CONTROLLER	48.Audio Jack Board connector & RL switch
16-23.945GMS	49.HISTORY
24.DDR2 DIMM0	50. DC JACK BOARD
25.DDR2 PULL UP TERMINATOR	51. DC JACK BOARD CONN
26.CRT CONN	52. LID SWITCH
27.LCM CONN & WEBCAM	53. DC JACK BOARD HISTORY
28-33.ICH7M	54. AUDIO JACK CONN
34.MINI CARD 1(FOR WIRELESS)	55. AUDIO JACK & USB
	56.AUDIO JACK BOARD HISTORY

<http://hobi-elektronika.net>

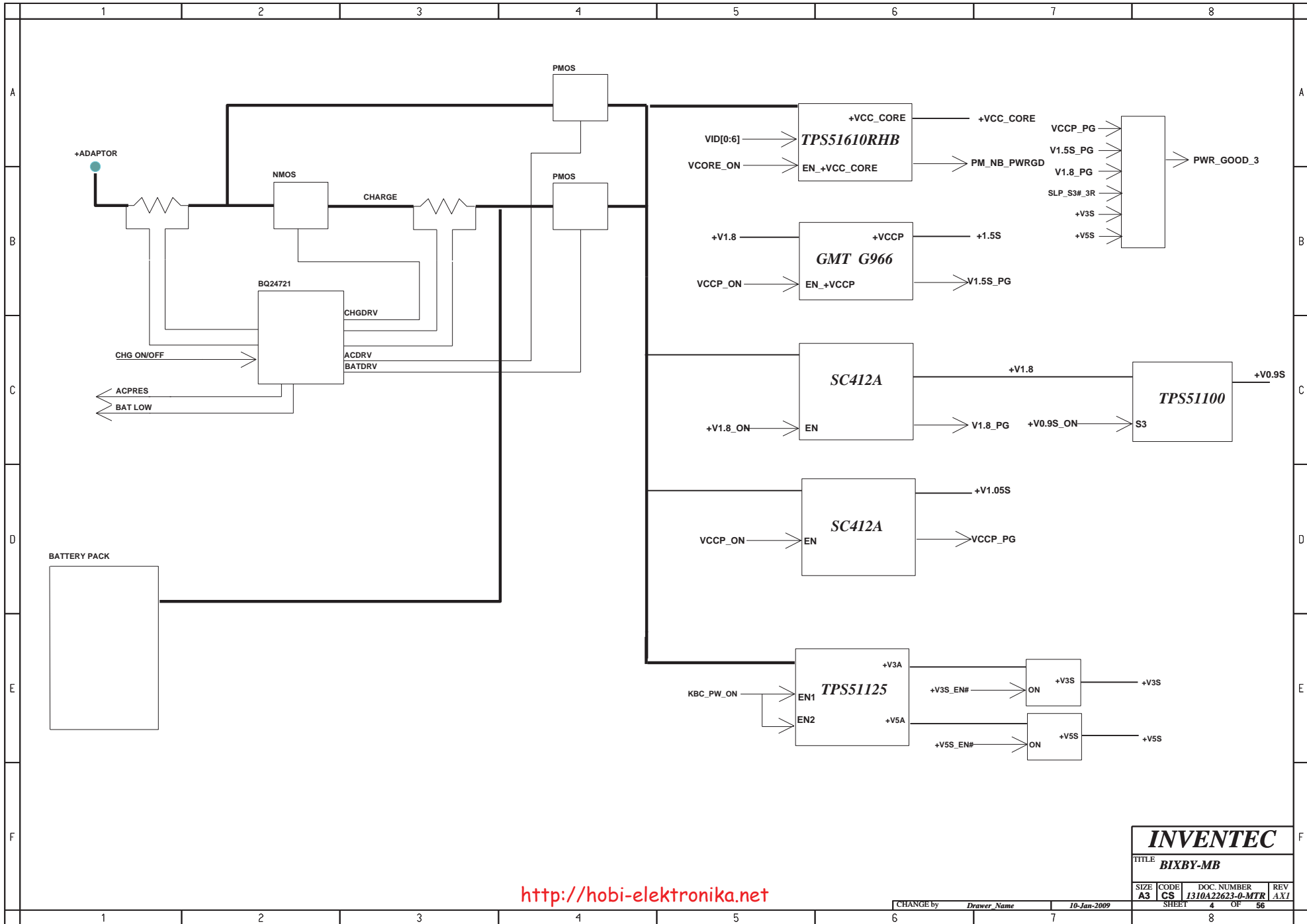
INVENTEC			
<small>TITLE</small> BIXBY-MB			
<small>Table Of Content</small>			
<small>SIZE</small> A3	<small>CODE</small> CS	<small>DOC NUMBER</small> I310A22623-0-MTR	<small>REV</small> AX1
<small>SHEET</small> 2		<small>OF</small> 56	

CHANGE by *Drawer Name* 3-Jun-2009



<http://hobi-elektronika.net>

INVENTEC			
TITLE BIXBY-MB			
Block Diagram			
SIZE A3	CODE CS	DOC NUMBER I310A22623-0-MTR	REV AX1
CHANGE by <i>Drawer Name</i>		3-Jun-2009	SHEET 3 OF 56



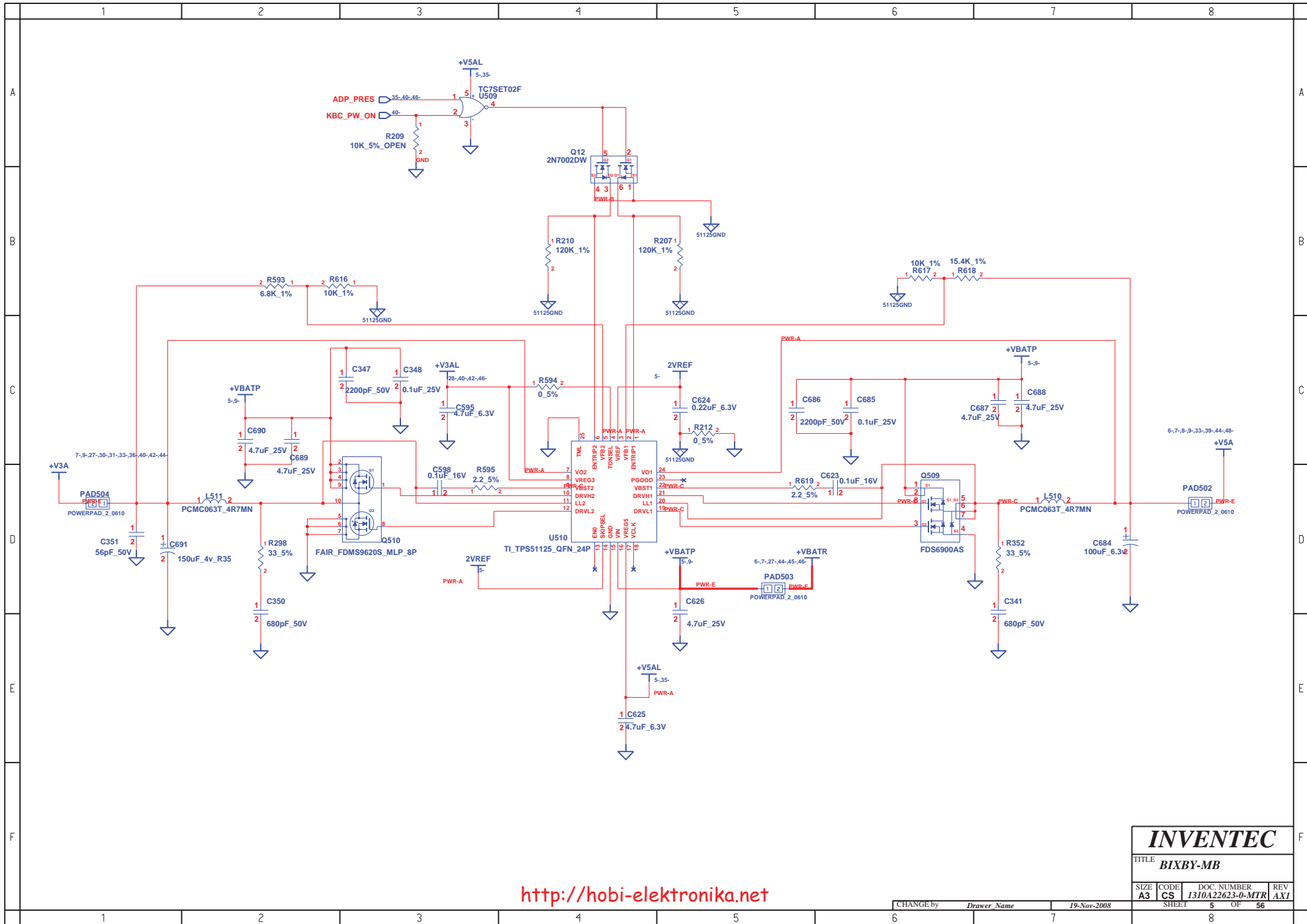
<http://hobi-elektronika.net>

INVENTEC

TITLE **BIXBY-MB**

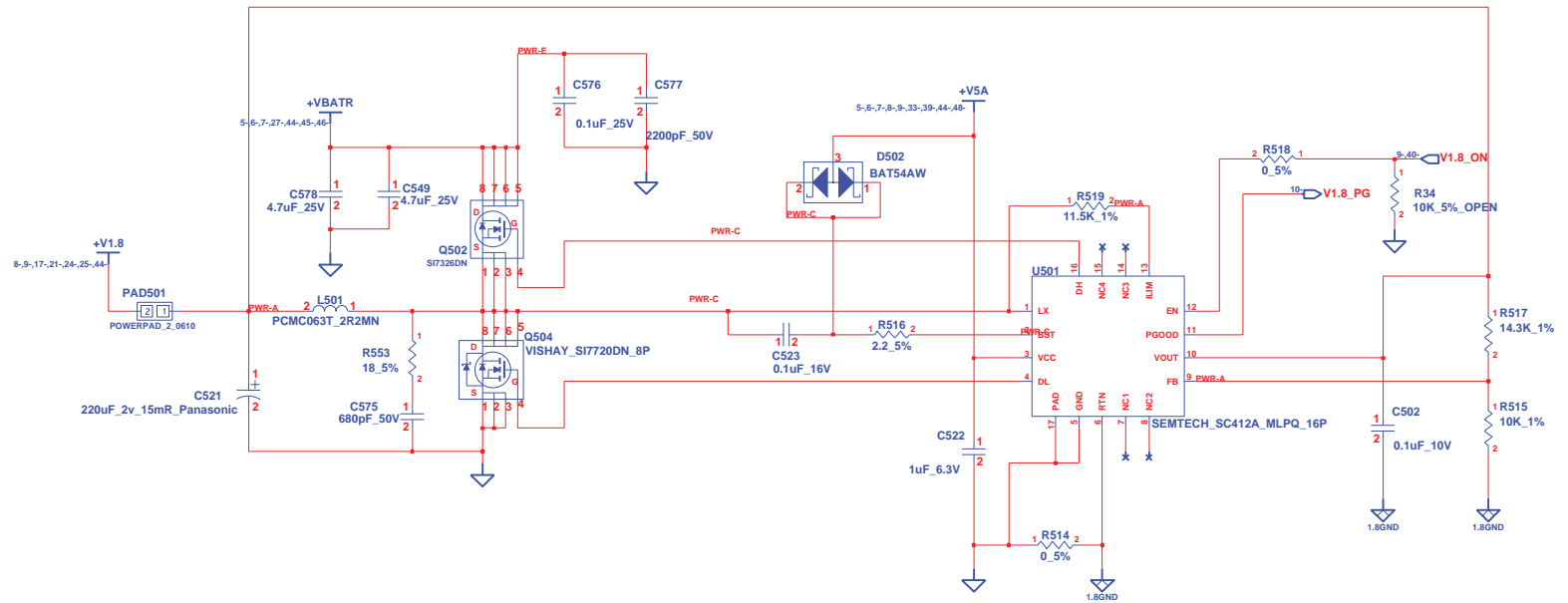
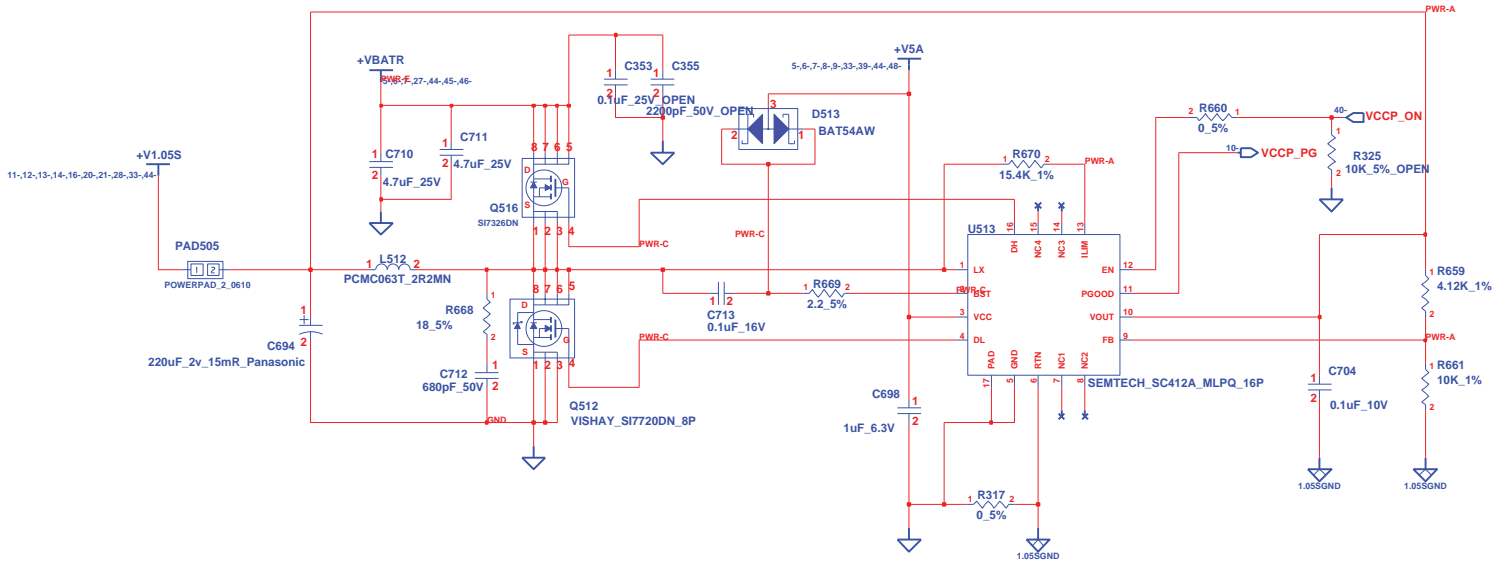
SIZE A3	CODE CS	DOC. NUMBER J310A22623-0-MTR	REV AX1
SHEET 4		OF 56	

CHANGE by *Drawer Name* 10-Jan-2009



<http://hobi-elektronika.net>

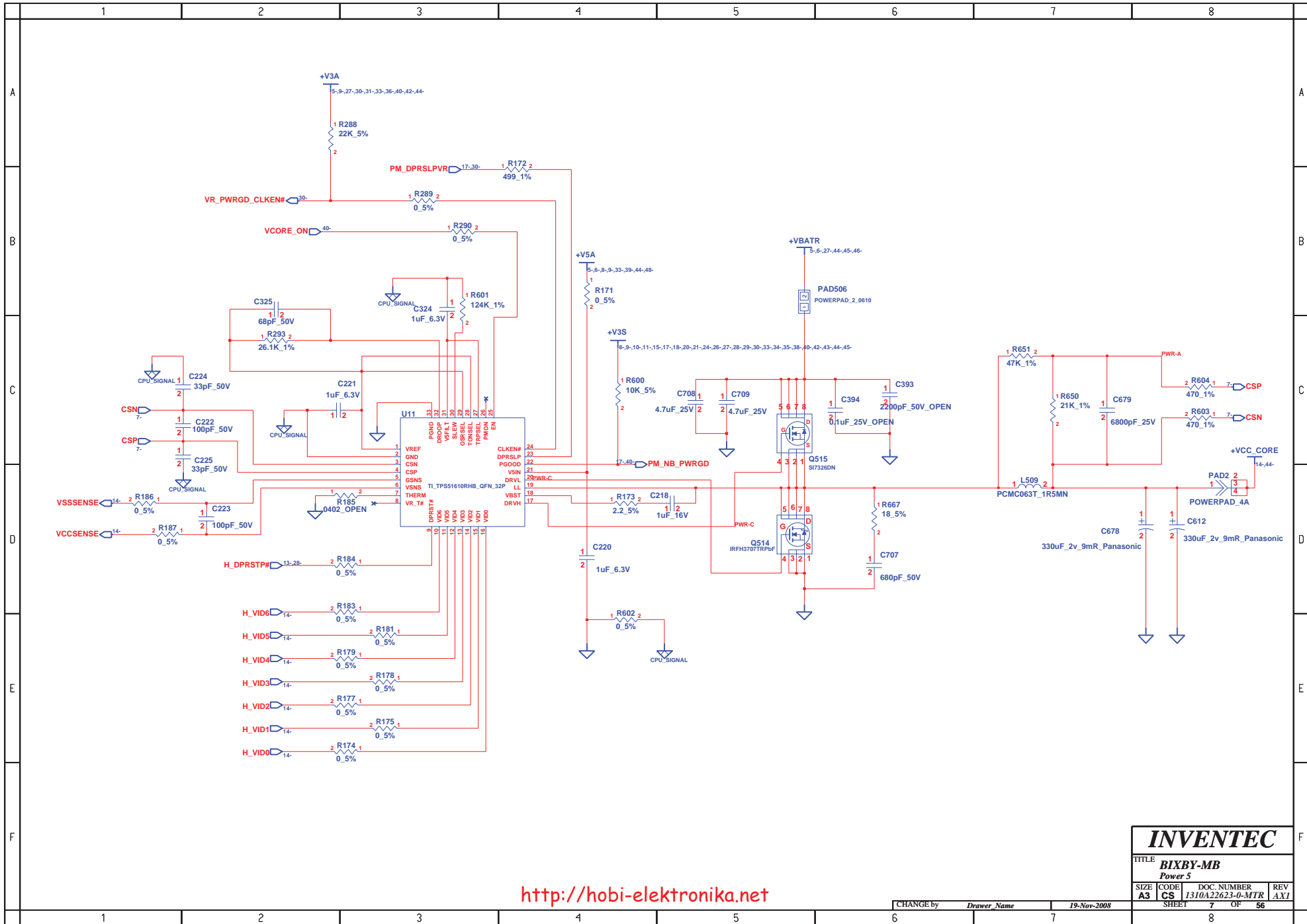
INVENTEC			
TITLE BIXBY-MB			
SIZE A3	CODE CS	DOC. NUMBER 1310A22623-0-MTR	REV AX1
CHANGE by <i>Drawer Name</i>		19-Nov-2008	
SHEET		5 OF 56	
		8	



<http://hobi-elektronika.net>

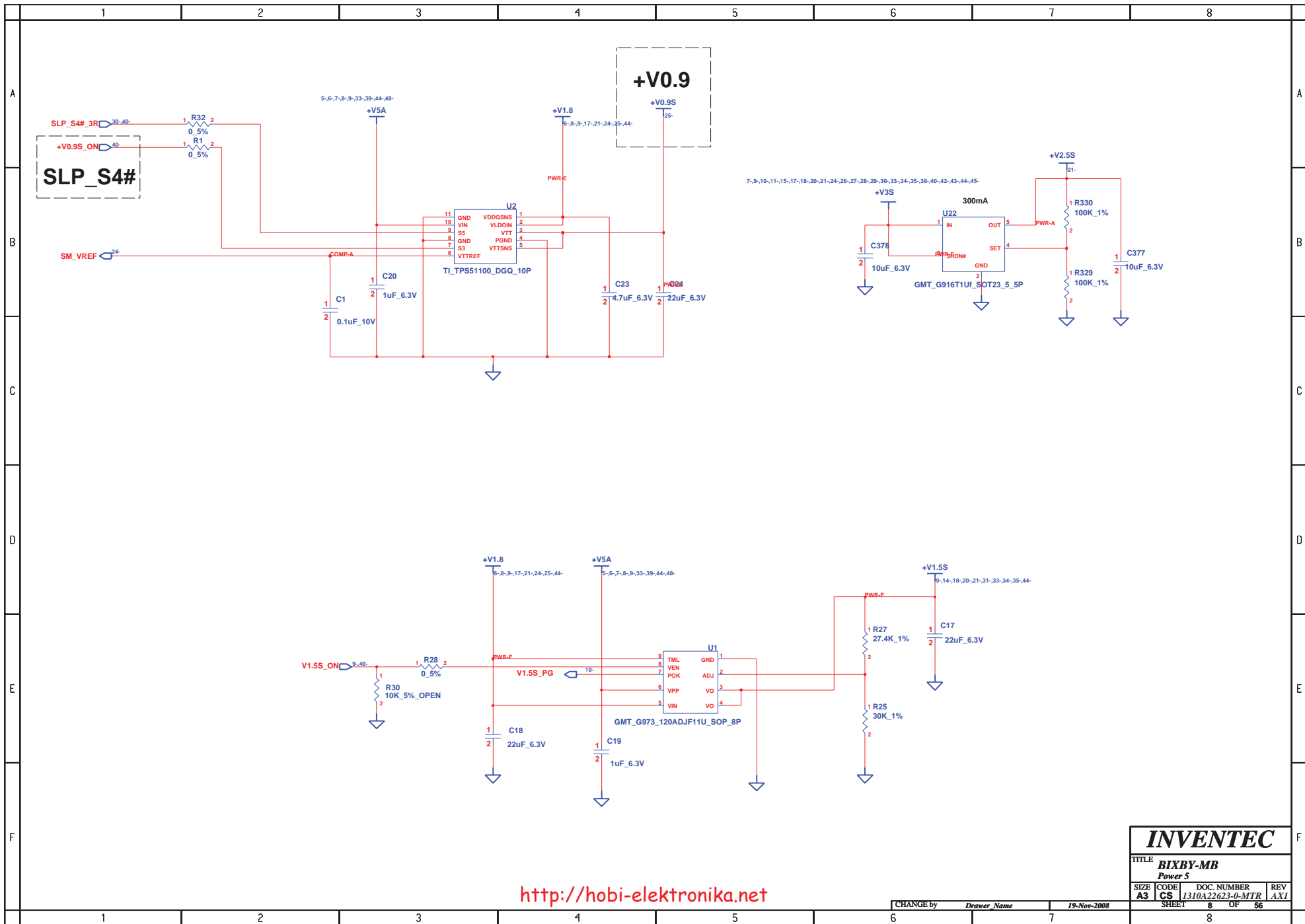
INVENTEC			
TITLE BIXBY-MB			
Power 4			
SIZE A3	CODE CS	DOC NUMBER 1310A22623-0-MTR	REV AX4
SHEET		OF 56	

CHANGE by *Drawer Name* 19-Nov-2008



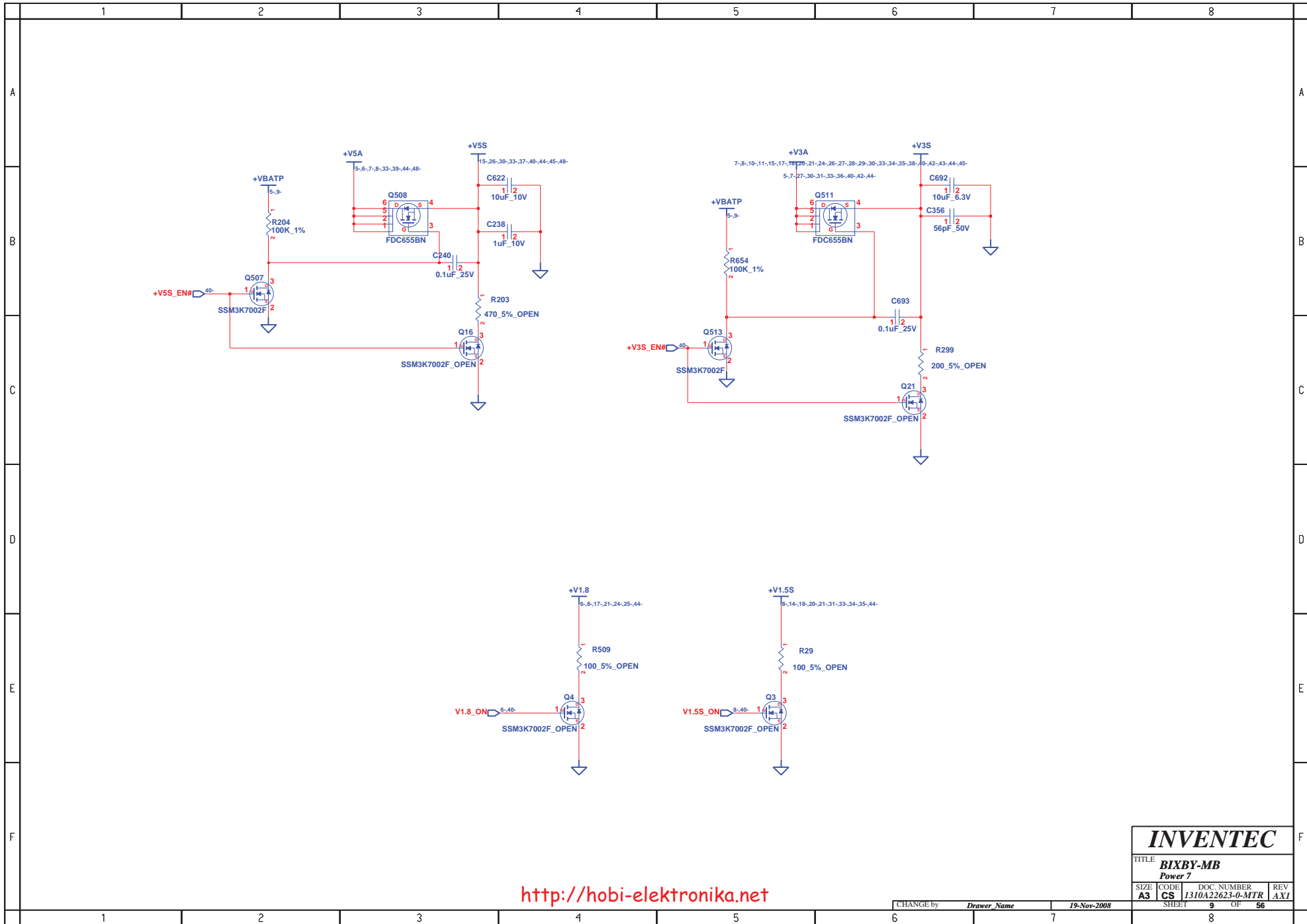
<http://hobi-elektronika.net>

INVENTEC			
TITLE BIXBY-MB			
Power 5			
SIZE A3	CODE CS	DOC NUMBER I310A22623-0-MTR	REV AXI
CHANGE by		Drawer Name	19-Nov-2008
SHEET		7	OF 56



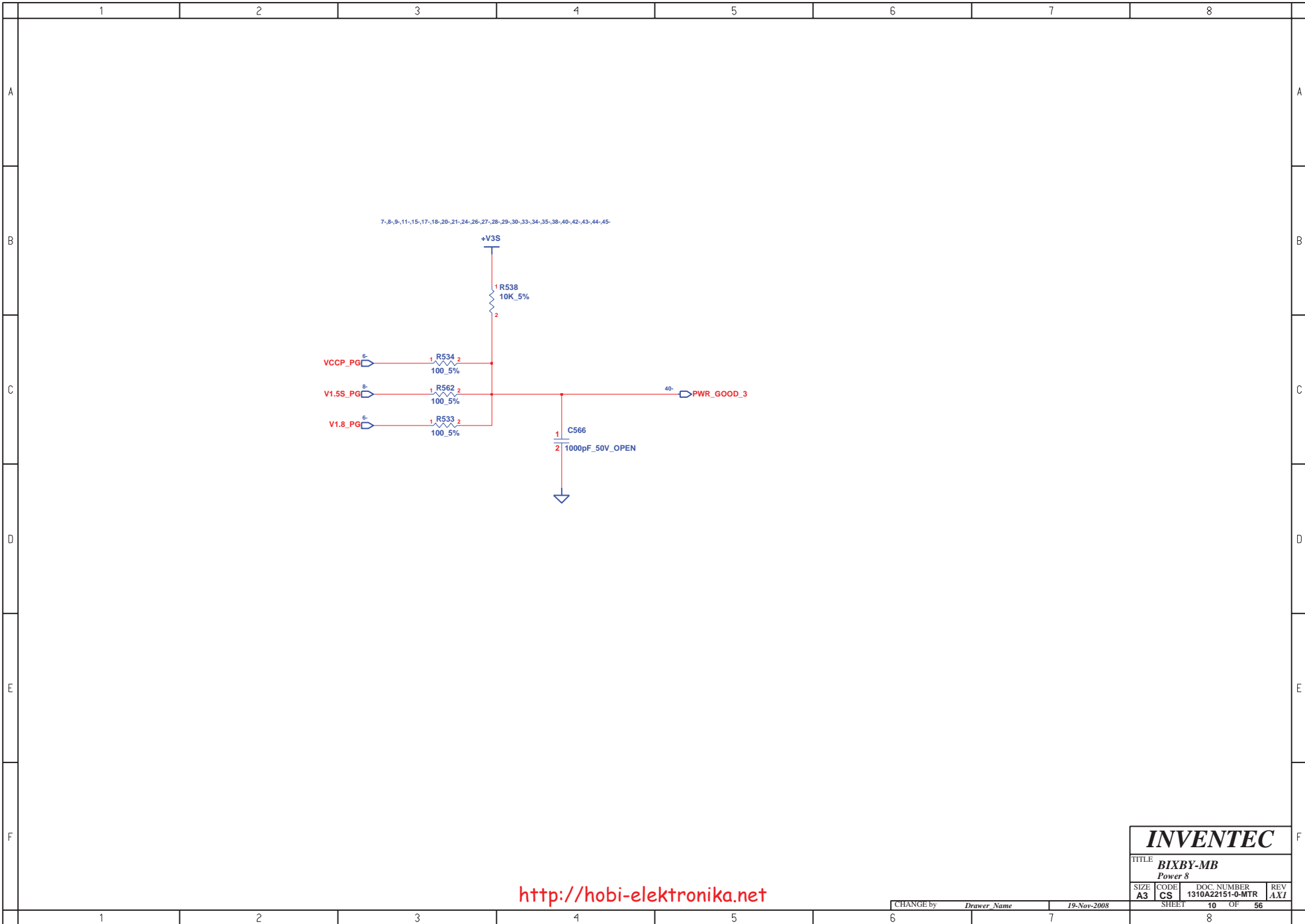
<http://hobi-elektronika.net>

INVENTEC			
TITLE BIXBY-MB			
Power 5			
SIZE A3	CODE CS	DOC. NUMBER I310A22623-0-MTR	REV AX1
CHANGE by <i>Drawer Name</i>		19-Nov-2008	SHEET 8 OF 56



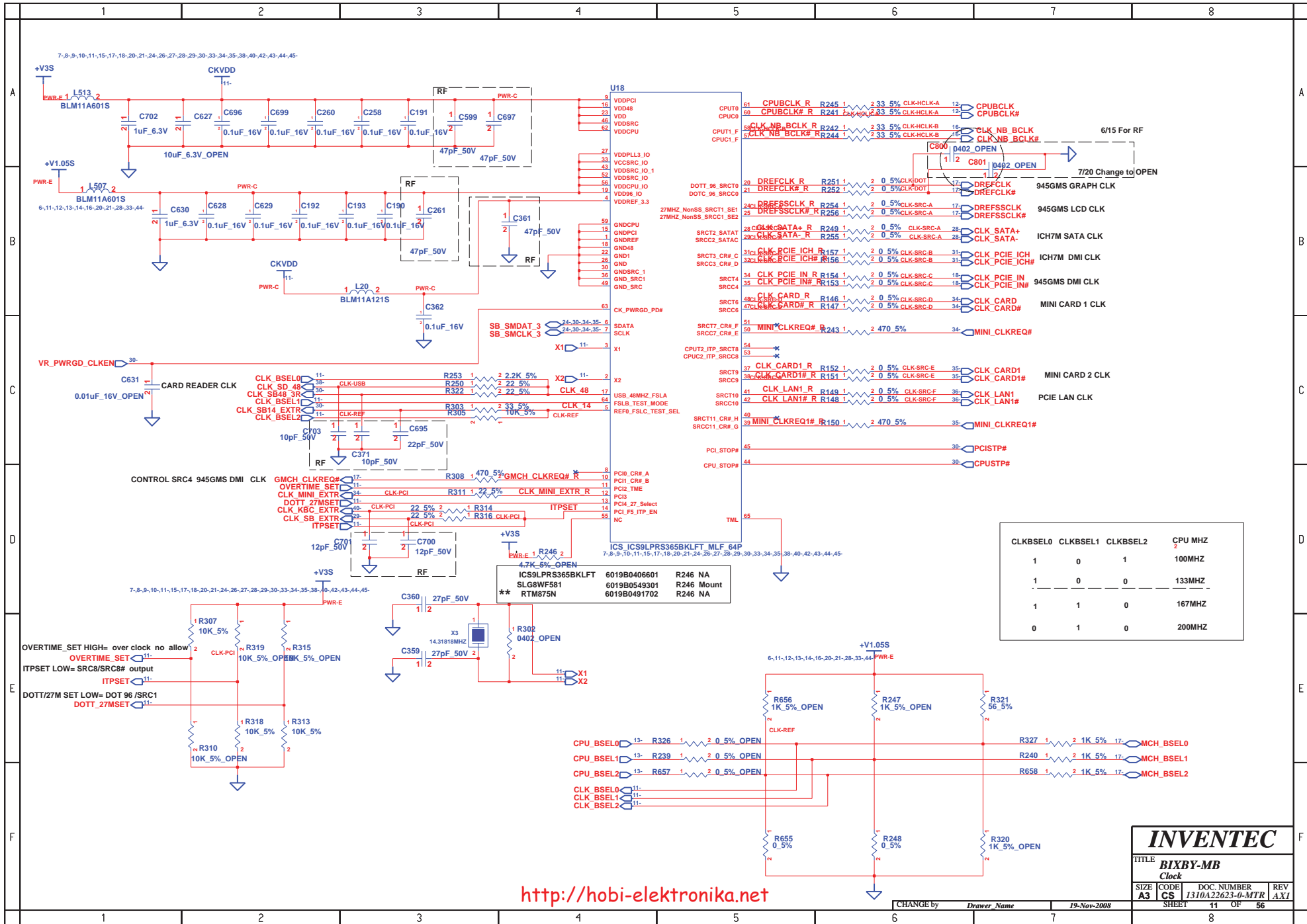
<http://hobi-elektronika.net>

INVENTEC			
TITLE: BIXBY-MB			
Power 7			
SIZE	CODE	DOC. NUMBER	REV
A3	CS	1310A22623-0-MTR	AX1
CHANGE by		Drawer Name	19-Nov-2008
SHEET		9	OF 56



<http://hobi-elektronika.net>

INVENTEC			
TITLE BIXBY-MB			
Power 8			
SIZE A3	CODE CS	DOC NUMBER 1310A22151-0-MTR	REV AX1
CHANGE by <i>Drawer Name</i>		19-Nov-2008	
SHEET		10 OF 56	

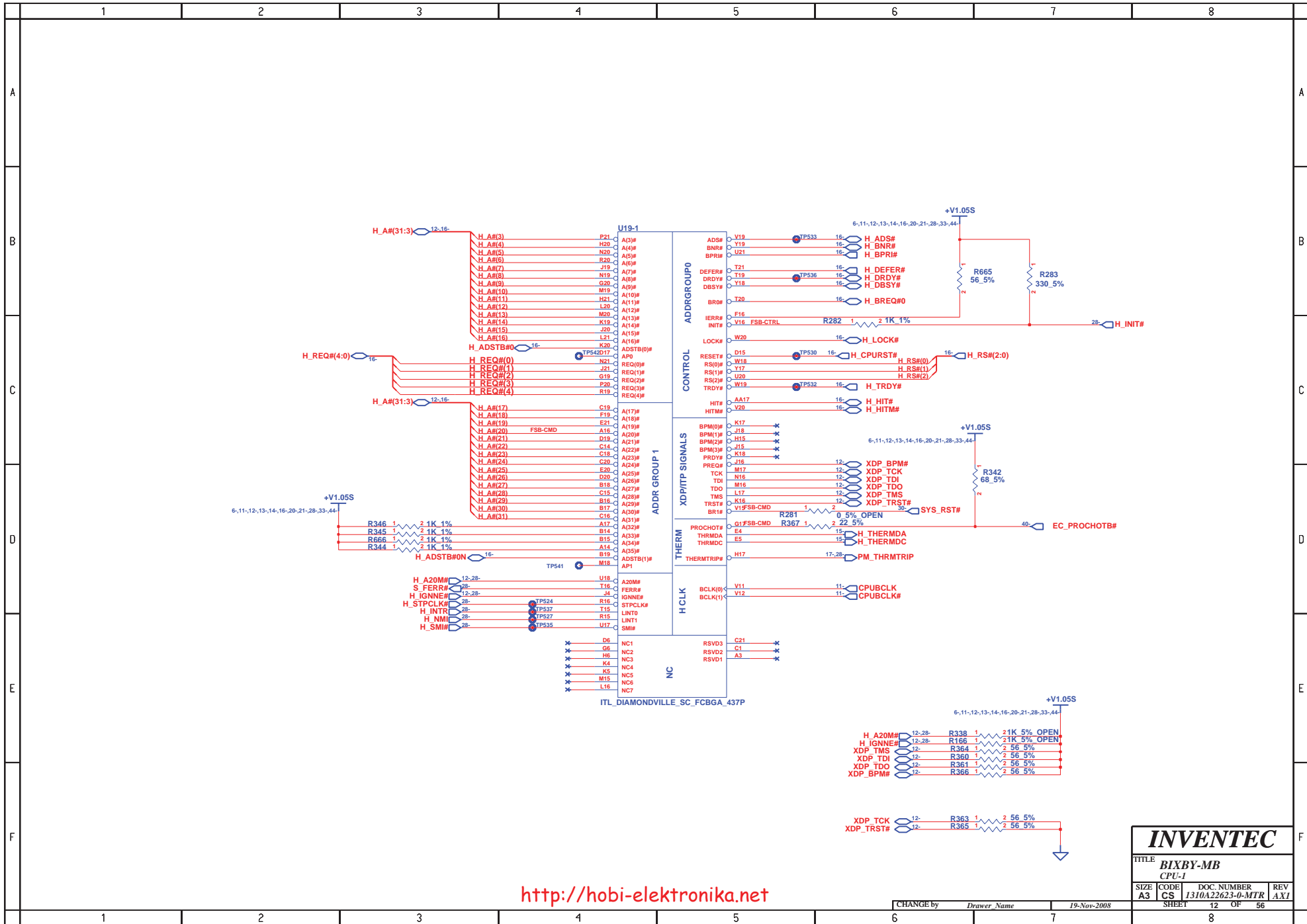


CLKBSEL0	CLKBSEL1	CLKBSEL2	CPU MHZ
1	0	1	100MHZ
1	0	0	133MHZ
1	1	0	167MHZ
0	1	0	200MHZ

<http://hobi-elektronika.net>

INVENTEC			
TITLE BIXBY-MB			
Clock			
SIZE A3	CODE CS	DOC NUMBER I310A22623-0-MTR	REV AX1
SHEET 11		OF 56	

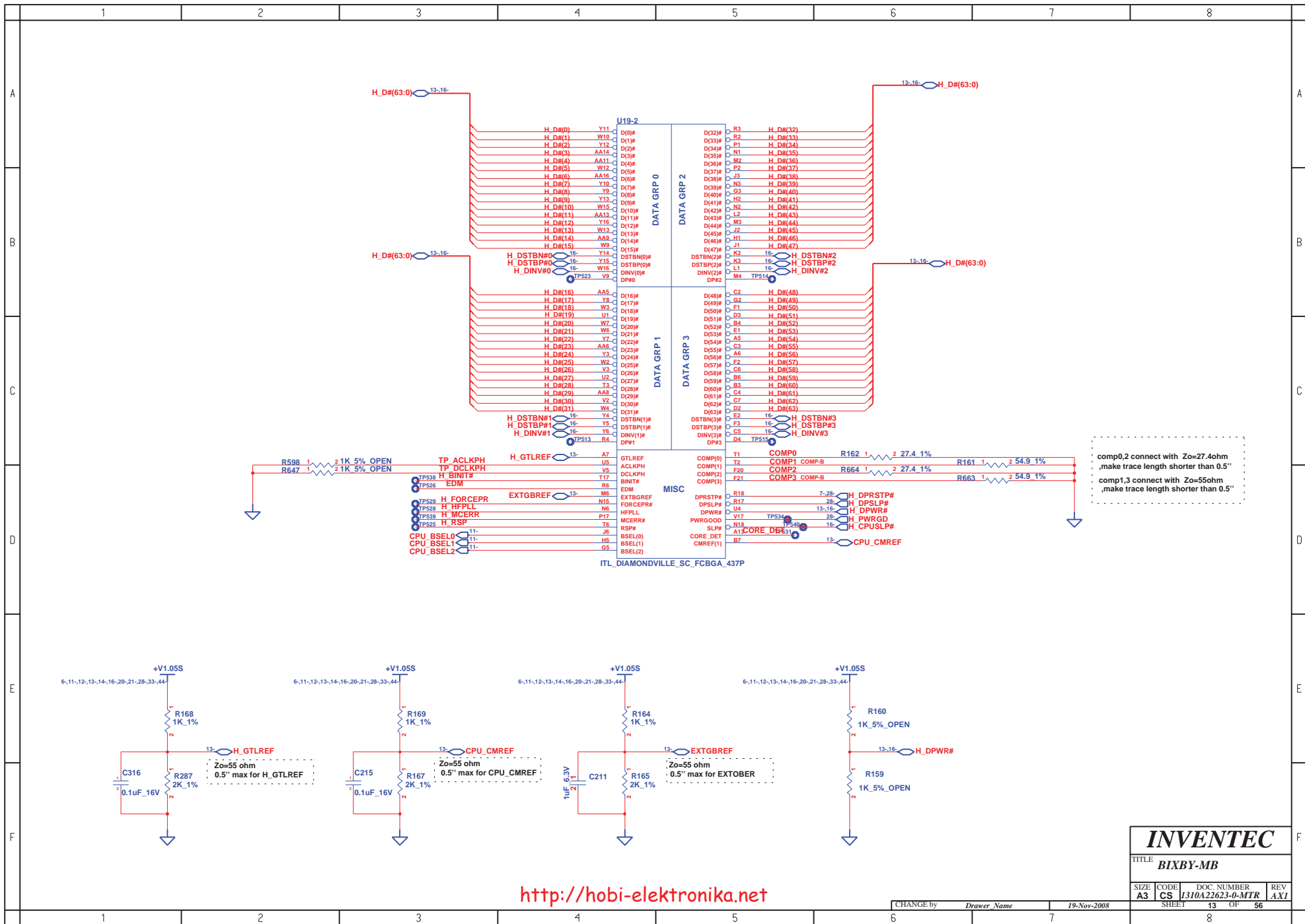
CHANGE by *Drawer Name* 19-Nov-2008



<http://hobi-elektronika.net>

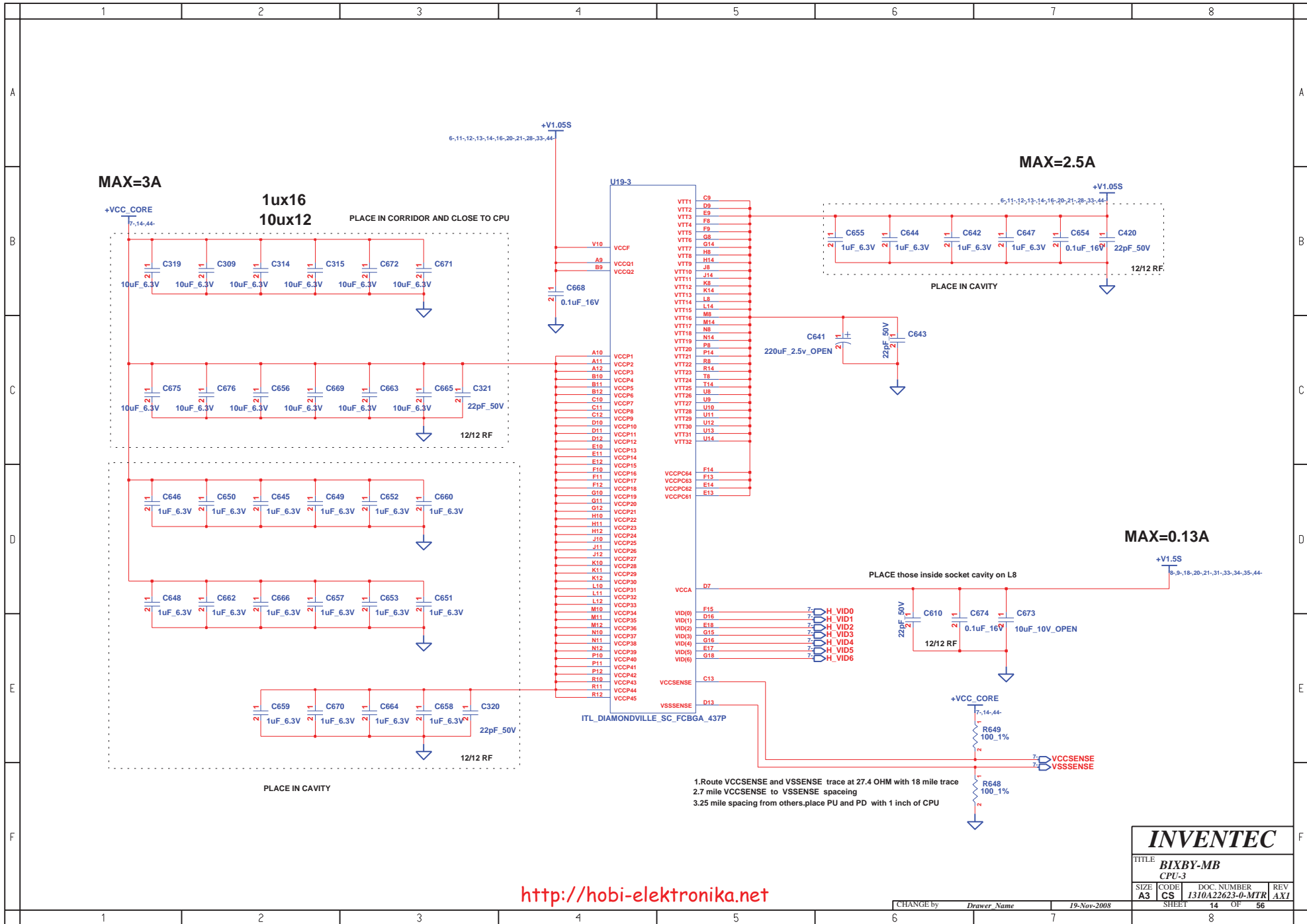
INVENTEC			
TITLE BIXBY-MB CPU-1			
SIZE A3	CODE CS	DOC NUMBER I310A22623-0-MTR	REV AX1
SHEET		12 OF 56	

CHANGE by *Drawer Name* 19-Nov-2008



<http://hobi-elektronika.net>

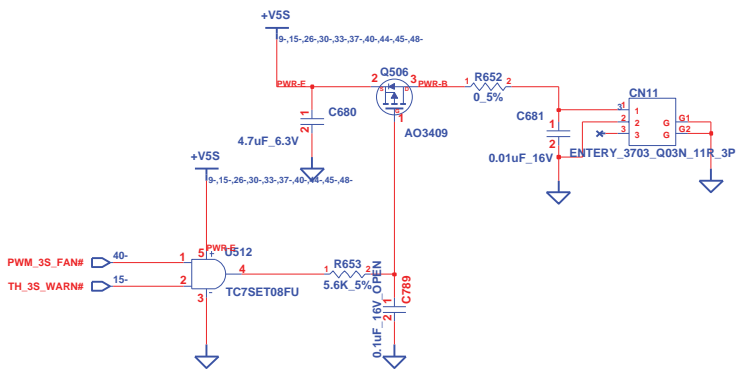
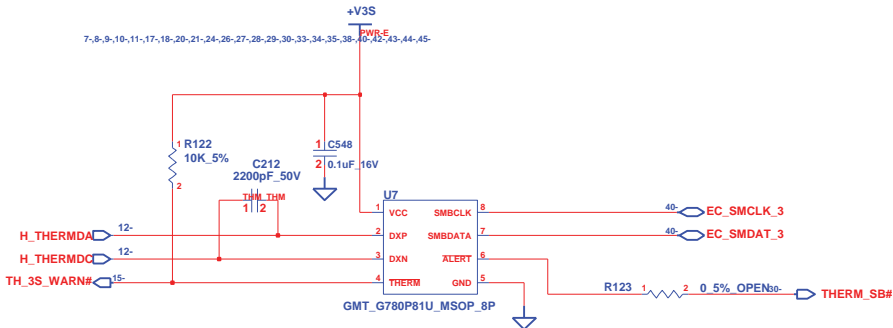
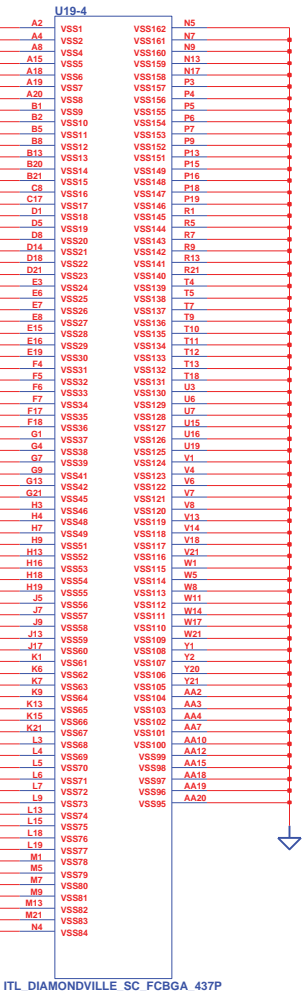
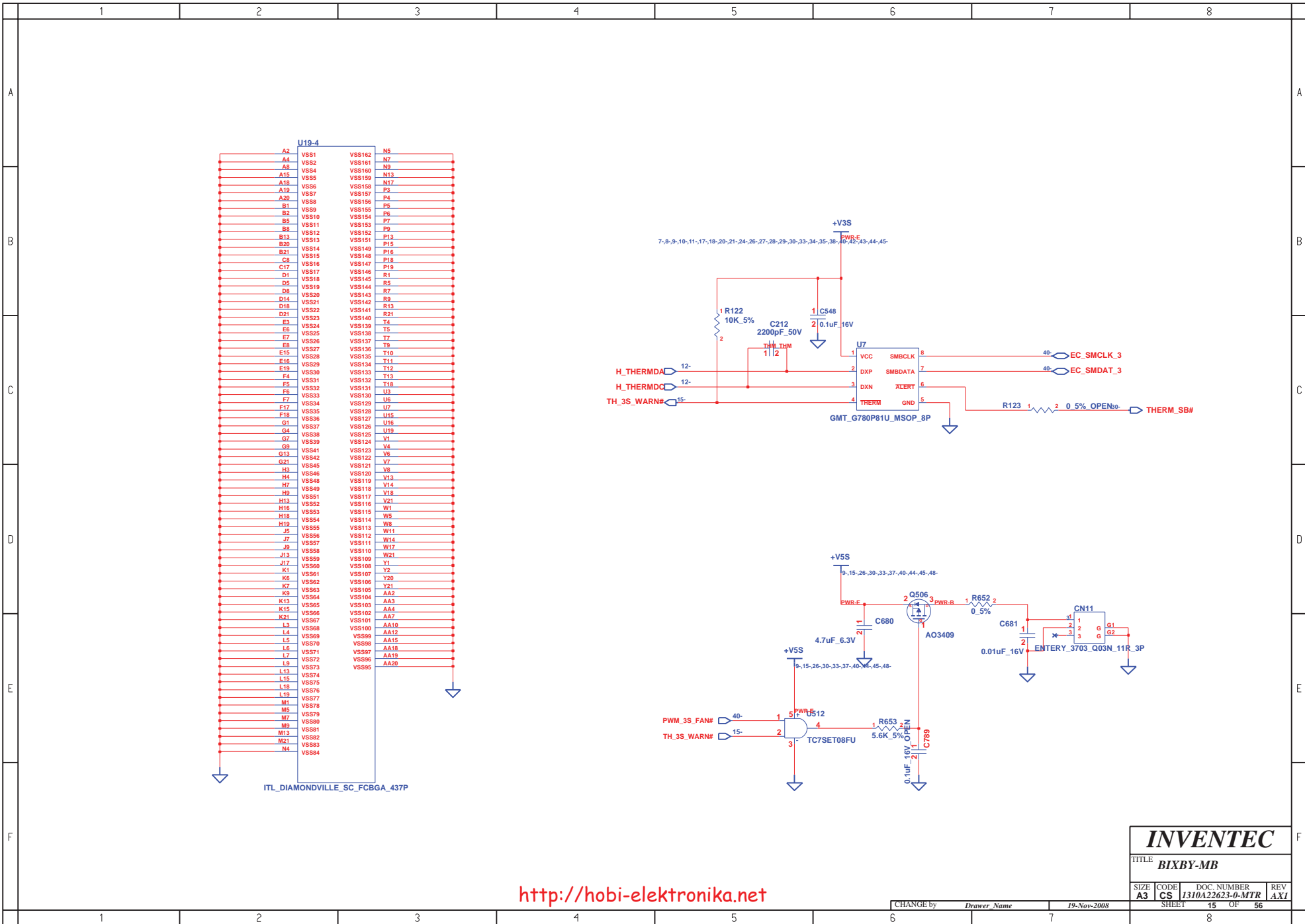
INVENTEC			
TITLE BIXBY-MB			
SIZE A3	CODE CS	DOC. NUMBER I310A22623-0-MTR	REV AXI
CHANGE by <i>Drawer Name</i>		19-Nov-2008	SHEET 13 OF 56



<http://hobi-elektronika.net>

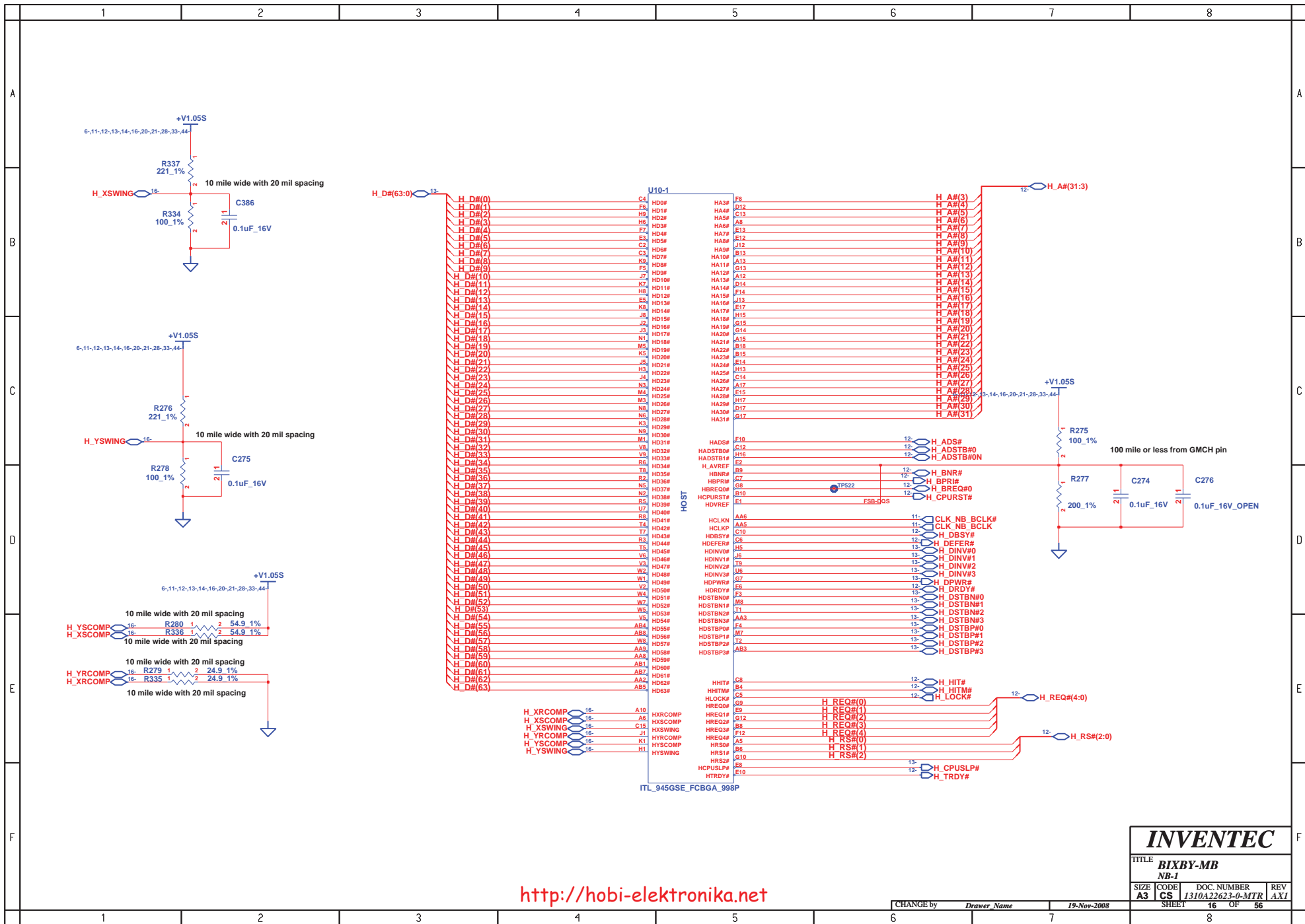
INVENTEC

TITLE BIXBY-MB CPU-3			
SIZE A3	CODE CS	DOC. NUMBER I310A22623-0-MTR	REV AX1
CHANGE by Drawer Name		19-Nov-2008	SHEET 14 OF 56



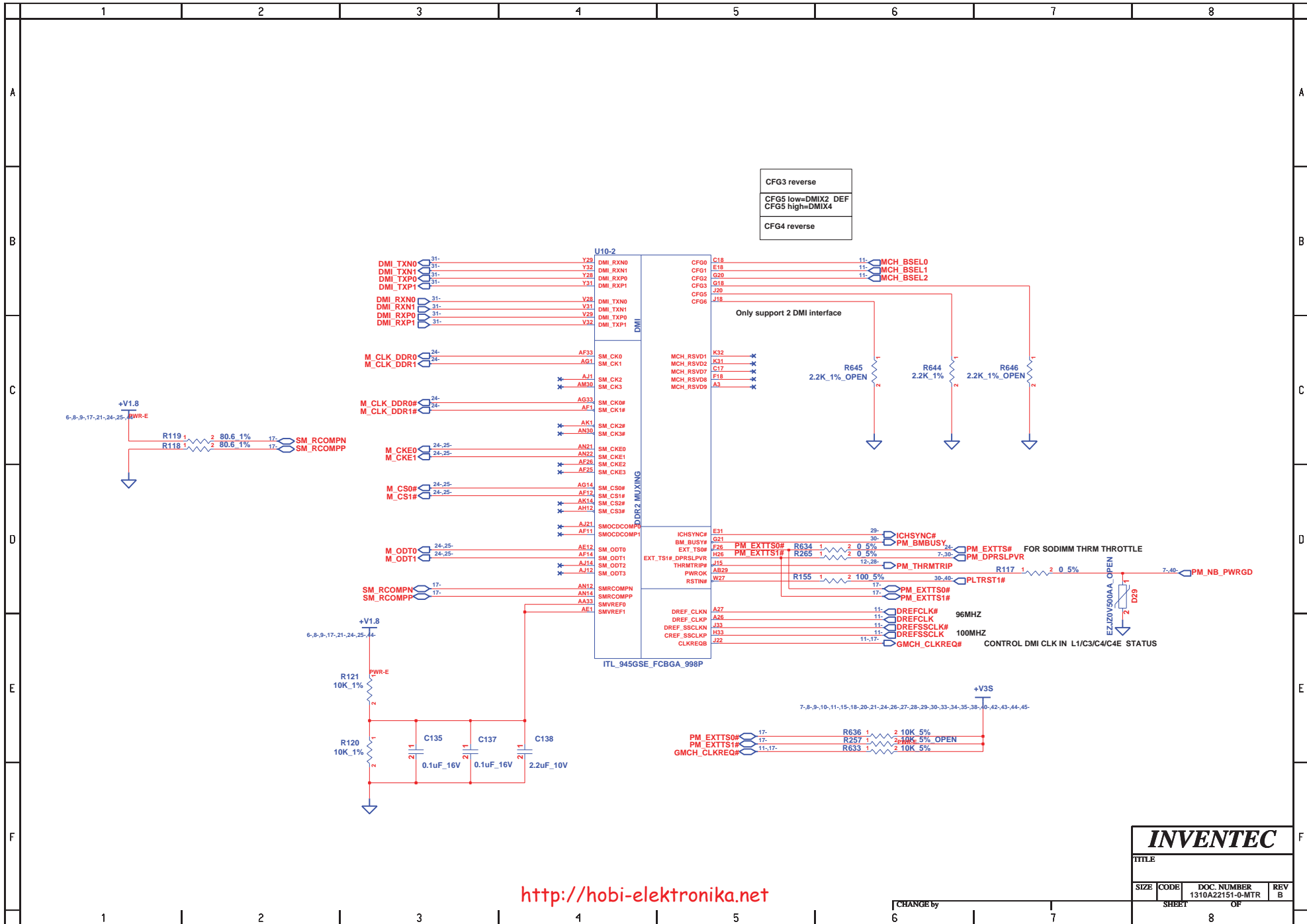
<http://hobi-elektronika.net>

INVENTEC			
TITLE BIXBY-MB			
SIZE A3	CODE CS	DOC. NUMBER I310A22623-0-MTR	REV AX1
CHANGE by Drawer Name		19-Nov-2008	SHEET 15 OF 56



<http://hobi-elektronika.net>

INVENTEC				
TITLE BIXBY-MB				
NB-1				
SIZE	CODE	DOC NUMBER	REV	
A3	CS	J310A22623-0-MTR	16	AXI
CHANGE by			Drawer Name	19-Nov-2008
SHEET			16	OF 56



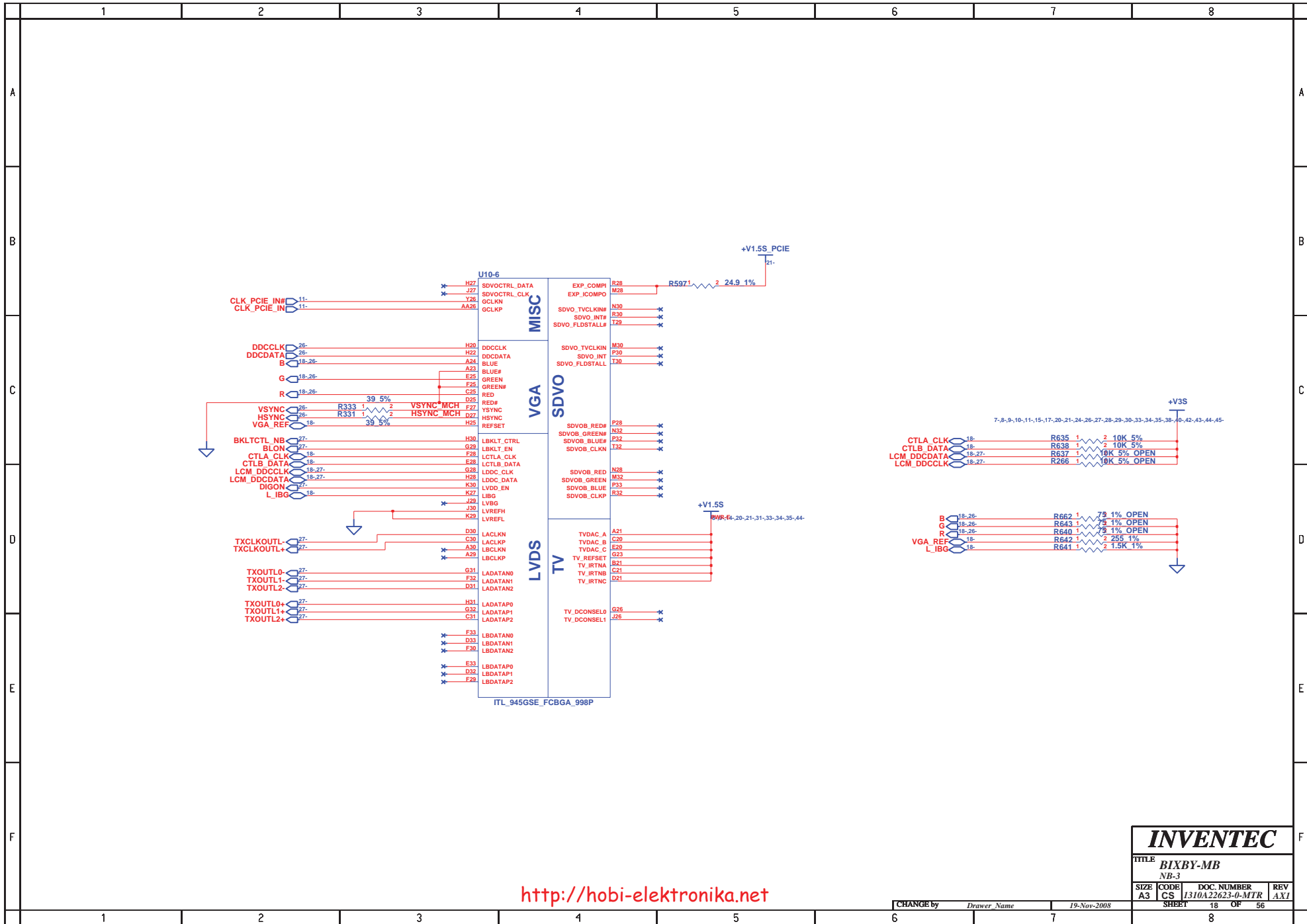
<http://hobi-elektronika.net>

CHANGE by

INVENTEC

TITLE

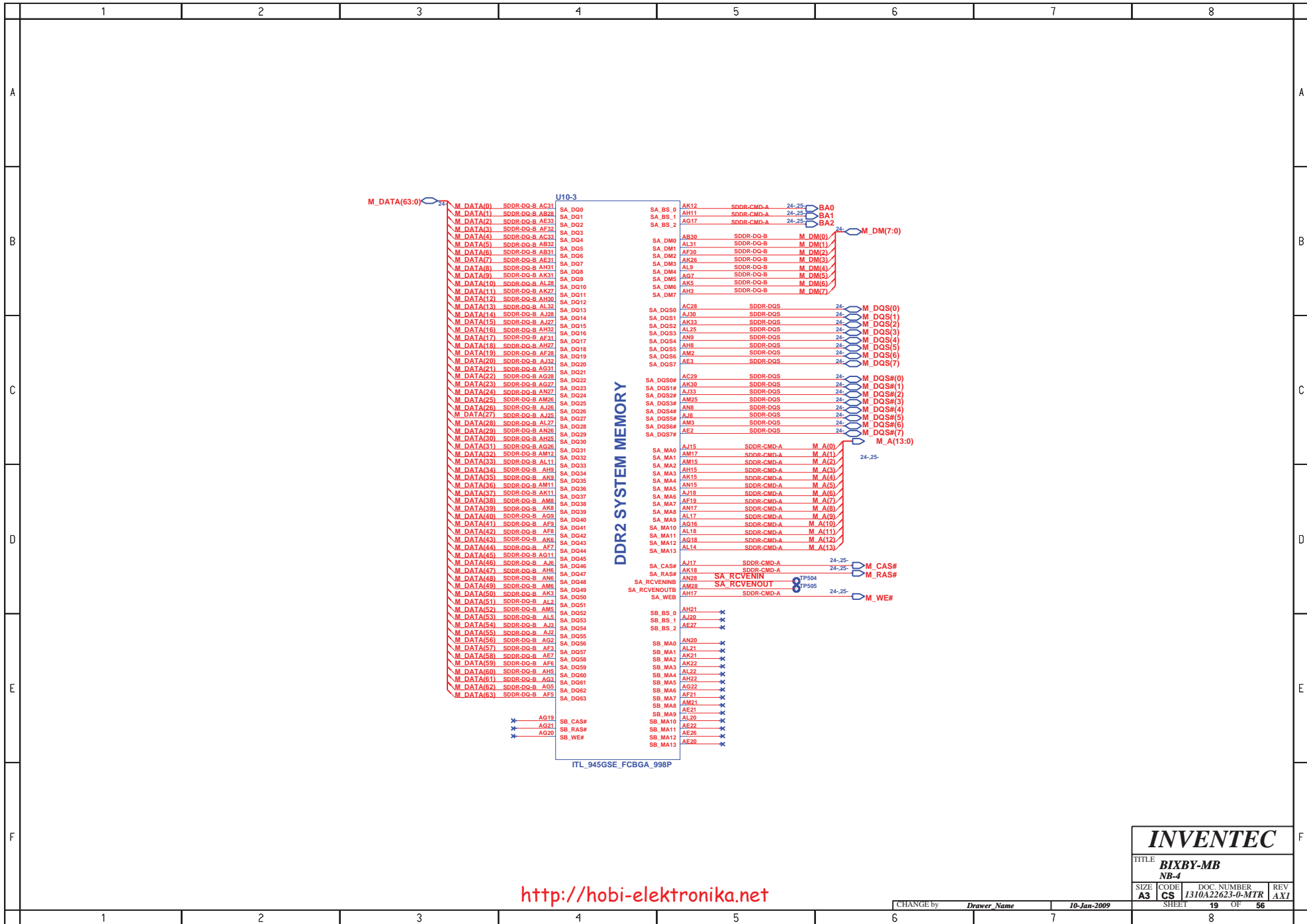
SIZE	CODE	DOC. NUMBER	REV
SHEET	OF	1310A22151-0-MTR	B



<http://hobi-elektronika.net>

INVENTEC			
TITLE BIXBY-MB			
NB-3			
SIZE A3	CODE CS	DOC. NUMBER I310A22623-0-MTR	REV AX1
SHEET		18	OF 56

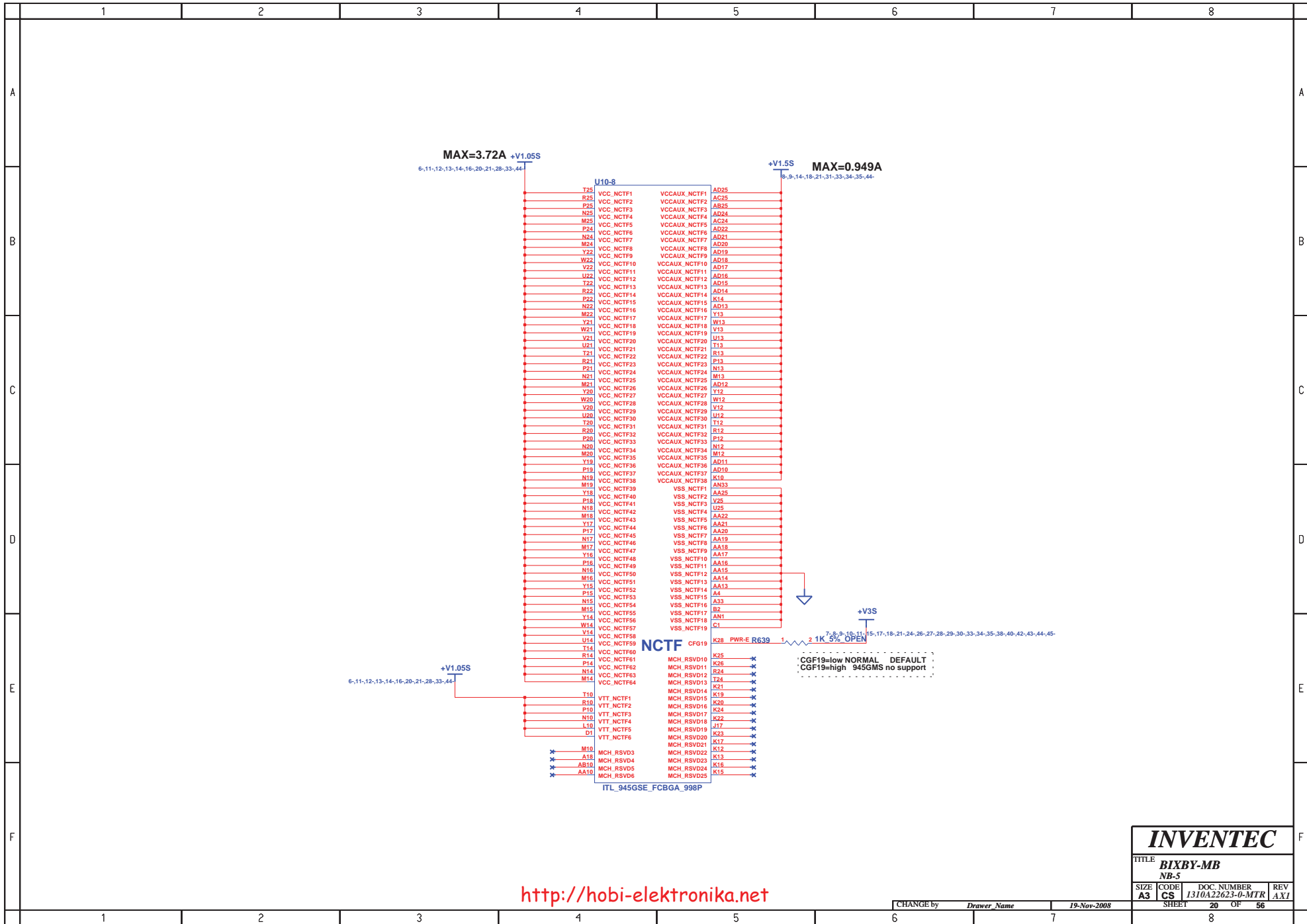
CHANGE by *Drawer Name* 19-Nov-2008



<http://hobi-elektronika.net>

INVENTEC			
TITLE: BIXBY-MB			
NB-4			
SIZE	CODE	DOC. NUMBER	REV
A3	CS	1310A22623-0-MTR	AXI
SHEET		19	OF 56

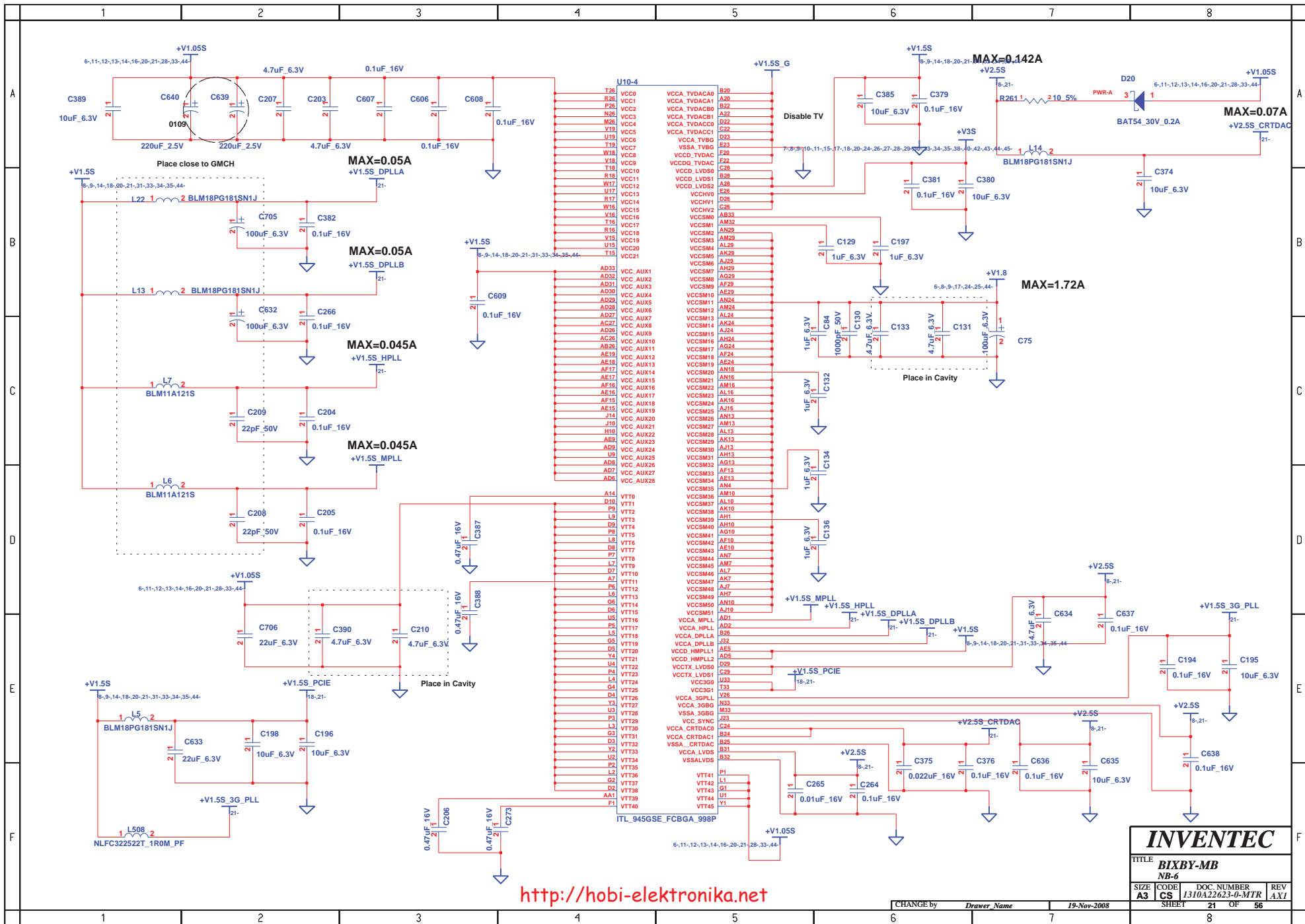
CHANGE by *Drawer Name* 10-Jan-2009



<http://hobi-elektronika.net>

INVENTEC			
TITLE BIXBY-MB			
NB-5			
SIZE	CODE	DOC NUMBER	REV
A3	CS	1310A22623-0-MTR	AX1
SHEET		20	OF 56

CHANGE by *Drawer Name* 19-Nov-2008



<http://hobi-elektronika.net>

INVENTEC				
TITLE BIXBY-MB				
NB-6				
SIZE A3	CODE CS	DOC. NUMBER 1310A22623-0-MTR	REV AX1	
CHANGE by <i>Drawer Name</i>		19-Nov-2008		
SHEET 21			OF 56	

	1	2	3	4	5	6	7	8	
A									A
B									B
C									C
D									D
E									E
F									F

U10-5

AK33	VSS1	VSS111	J18
Y33	VSS2	VSS112	AL15
V33	VSS3	VSS113	AG15
R33	VSS4	VSS114	WI15
G33	VSS5	VSS115	RI15
AK35	VSS6	VSS116	DI15
AG32	VSS7	VSS117	D15
AE32	VSS8	VSS118	AM14
AC34	VSS9	VSS119	AH14
AA34	VSS10	VSS120	AE14
H32	VSS11	VSS121	H14
E34	VSS12	VSS122	B14
VSS13	VSS13	VSS123	FI13
C34	VSS14	VSS124	D13
AM31	VSS15	VSS125	AL12
AJ31	VSS16	VSS126	AG12
AA31	VSS17	VSS127	H12
U31	VSS18	VSS128	B12
T31	VSS19	VSS129	AM11
R31	VSS20	VSS130	AJ11
P31	VSS21	VSS131	AE11
N31	VSS22	VSS132	AM9
M31	VSS23	VSS133	AJ9
J31	VSS24	VSS134	AB9
F31	VSS25	VSS135	M9
AL30	VSS26	VSS136	R9
AG30	VSS27	VSS137	M9
AE30	VSS28	VSS138	J9
AC30	VSS29	VSS139	J9
AA30	VSS30	VSS140	C9
Y30	VSS31	VSS141	A9
V30	VSS32	VSS142	AL8
U30	VSS33	VSS143	AG8
G30	VSS34	VSS144	AE8
E30	VSS35	VSS145	J8
R30	VSS36	VSS146	AJ7
AA29	VSS37	VSS147	V7
U29	VSS38	VSS148	R7
R29	VSS39	VSS149	H7
P29	VSS40	VSS150	H7
N29	VSS41	VSS151	E7
M29	VSS42	VSS152	B7
H29	VSS43	VSS153	AL6
E29	VSS44	VSS154	AG6
B29	VSS45	VSS155	AE6
AK28	VSS46	VSS156	AB6
AH28	VSS47	VSS157	W6
AE28	VSS48	VSS158	I6
AA28	VSS49	VSS159	M6
U28	VSS50	VSS160	K6
T28	VSS51	VSS161	AN5
J28	VSS52	VSS162	AL5
D28	VSS53	VSS163	B5
AM27	VSS54	VSS164	AA4
AF27	VSS55	VSS165	J4
AR27	VSS56	VSS166	R4
AA27	VSS57	VSS167	N4
Y27	VSS58	VSS168	K4
U27	VSS59	VSS169	H4
T27	VSS60	VSS170	E4
R27	VSS61	VSS171	AL3
P27	VSS62	VSS172	AD3
N27	VSS63	VSS173	W3
M27	VSS64	VSS174	T3
G27	VSS65	VSS175	B3
E27	VSS66	VSS176	AK2
C27	VSS67	VSS177	AH2
B27	VSS68	VSS178	AF2
AL26	VSS69	VSS179	AB2
AH26	VSS70	VSS180	M2
W26	VSS71	VSS181	I2
U26	VSS72	VSS182	H2
AN25	VSS73	VSS183	E2
AK25	VSS74	VSS184	F2
AG25	VSS75	VSS185	W1
AE25	VSS76	VSS185	B1
J25	VSS77		
G25	VSS78		
A25	VSS79		
H23	VSS80		
F23	VSS81		
B23	VSS82		
AM23	VSS83		
AJ22	VSS84		
AF22	VSS85		
G22	VSS86		
E22	VSS87		
J21	VSS88		
H21	VSS89		
F21	VSS90		
AM20	VSS91		
AK20	VSS92		
AH20	VSS93		
AF20	VSS94		
D20	VSS95		
W19	VSS96		
R19	VSS97		
AM19	VSS98		
AH19	VSS99		
AE18	VSS100		
U18	VSS101		
H18	VSS102		
D18	VSS103		
AK17	VSS104		
V17	VSS105		
T17	VSS106		
F17	VSS107		
B17	VSS108		
AM16	VSS109		
U16	VSS110		

<http://hobi-elektronika.net>

CHANGE by

INVENTEC			
TITLE			
SIZE	CODE	DOC. NUMBER	REV
SHEET	OF	1310AZ2151-0-MTR	B

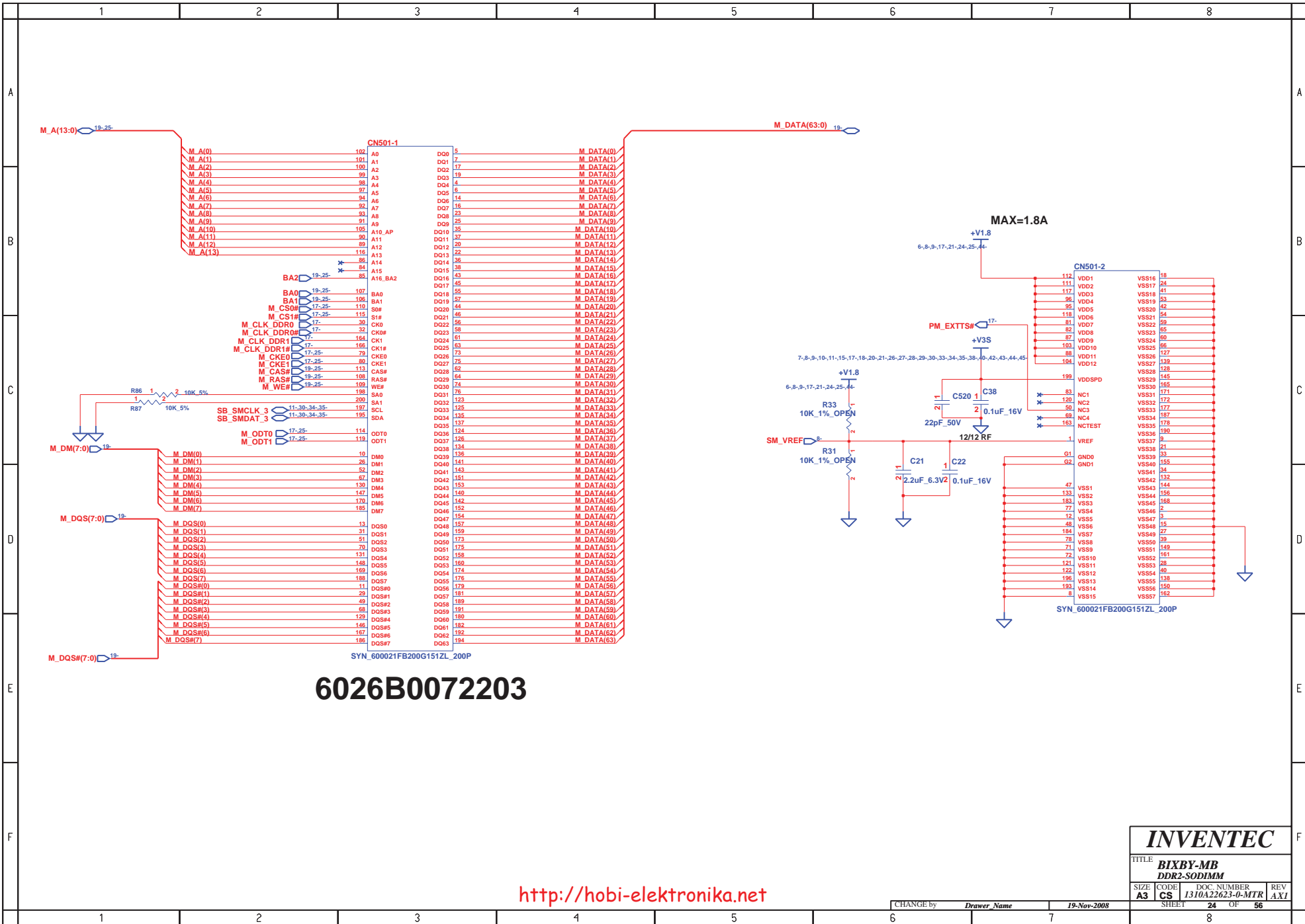
	1	2	3	4	5	6	7	8		
A										A
B										B
C										C
D										D
E										E
F										F
	1	2	3	4	5	6	7	8		



<http://hobi-elektronika.net>

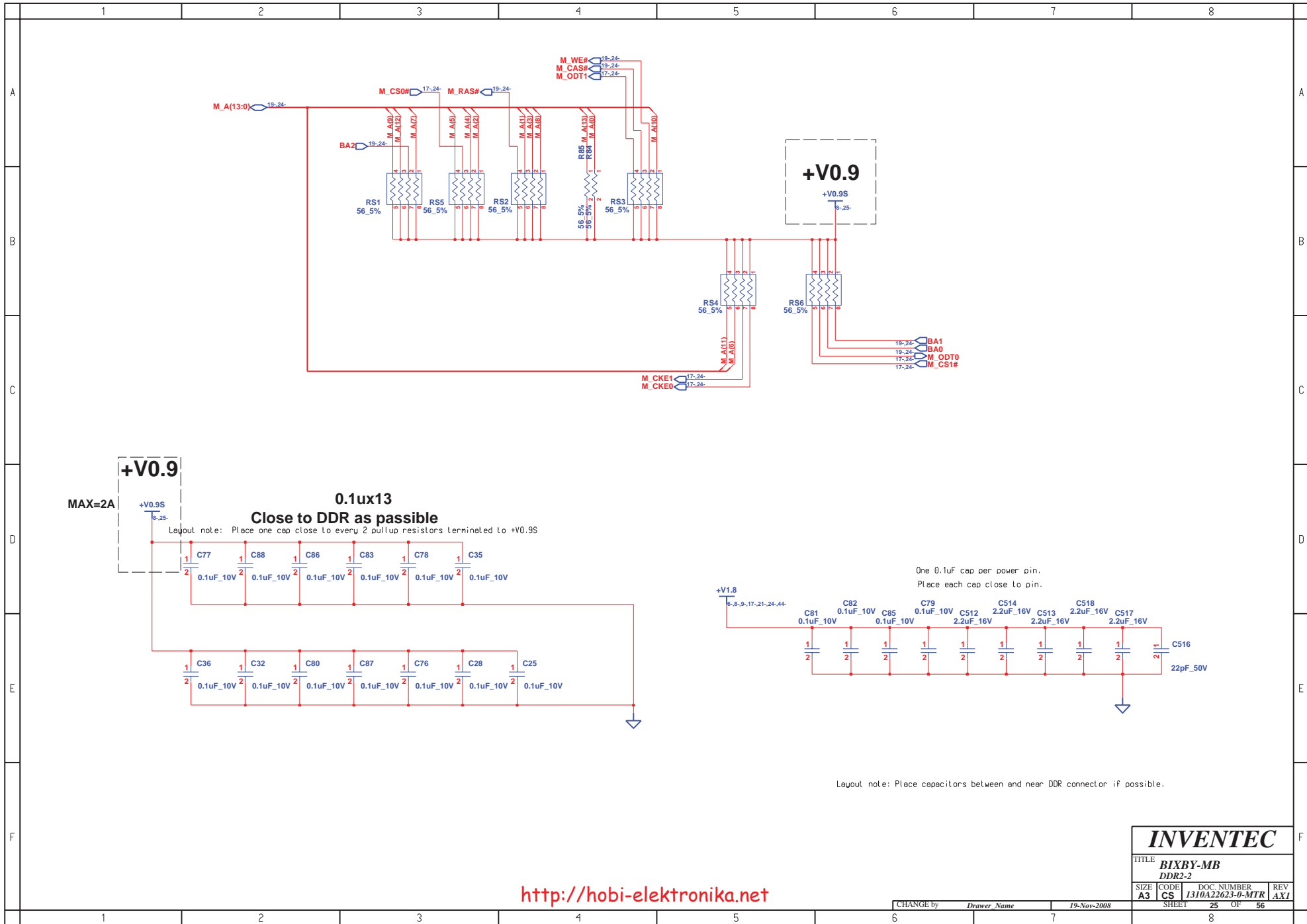
INVENTEC			
TITLE BIXBY-MB			
NB-8			
SIZE	CODE	DOC. NUMBER	REV
A3	CS	1310A22623-0-MTR	AX1
SHEET		23	OF 56

CHANGE by *Drawer Name* 10-Jan-2009



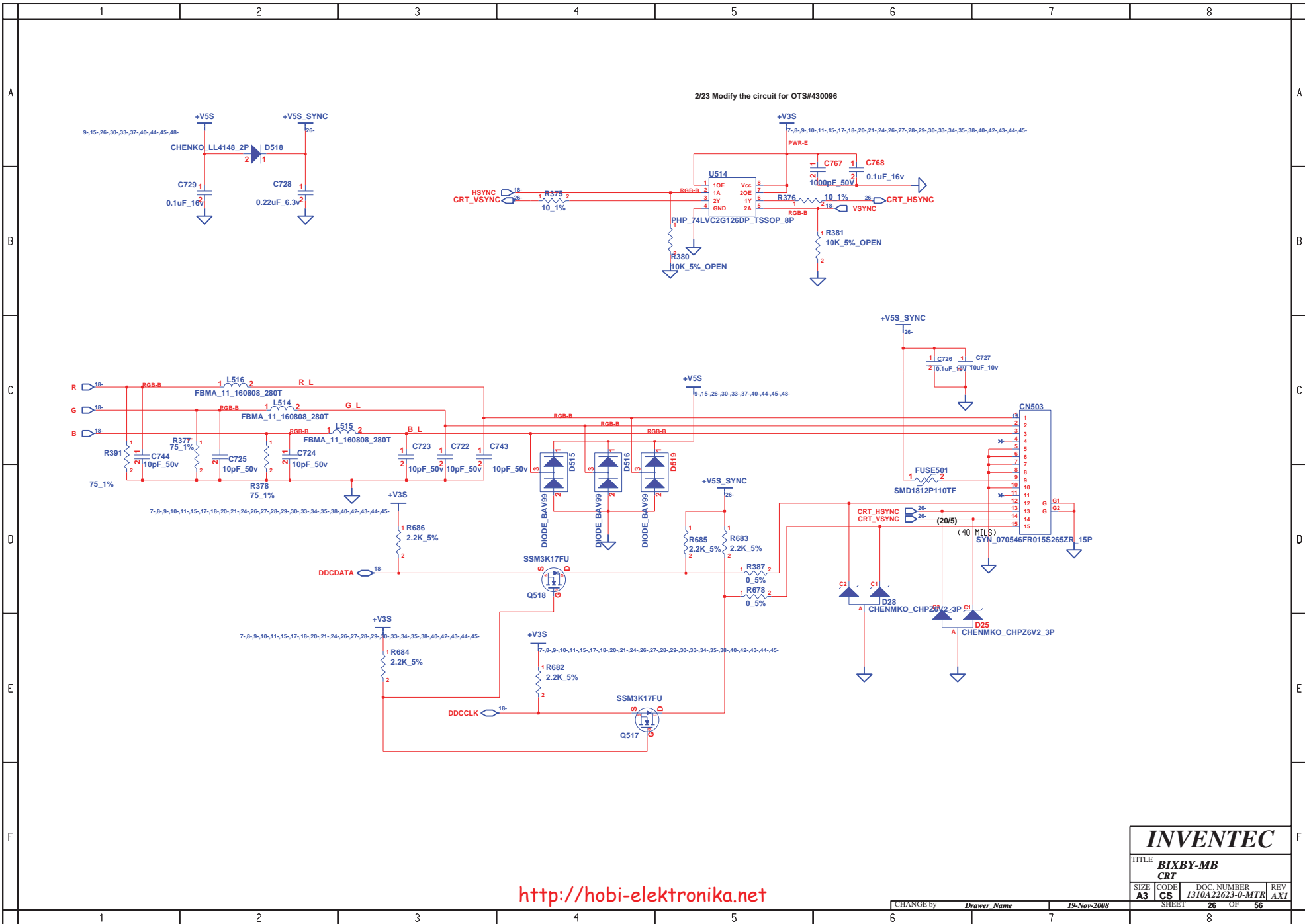
INVENTEC			
TITLE: BIXBY-MB DDR2-SODIMM			
SIZE: A3	CODE: CS	DOC NUMBER: 1310A22623-0-MTR	REV: AX1
SHEET: 24		OF: 56	

CHANGE by *Drawer Name* 19-Nov-2008



<http://hobi-elektronika.net>

INVENTEC			
TITLE DDR2-2			
SIZE A3	CODE CS	DOC NUMBER 1310A22623-0-MTR	REV AXI
CHANGE by <i>Drawer Name</i>		19-Nov-2008	SHEET 25 OF 56



<http://hobi-elektronika.net>

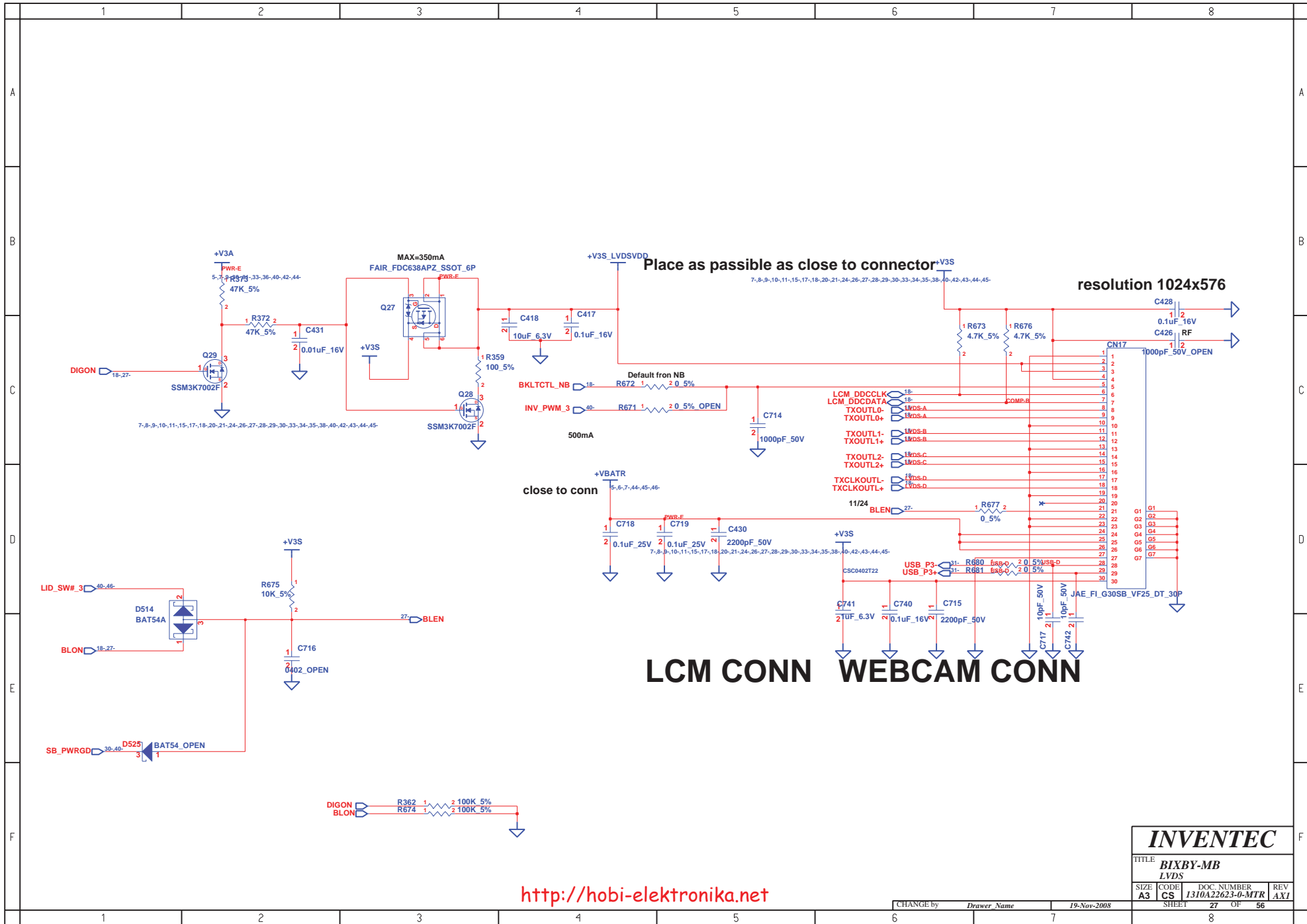
INVENTEC

TITLE
**BIXBY-MB
CRT**

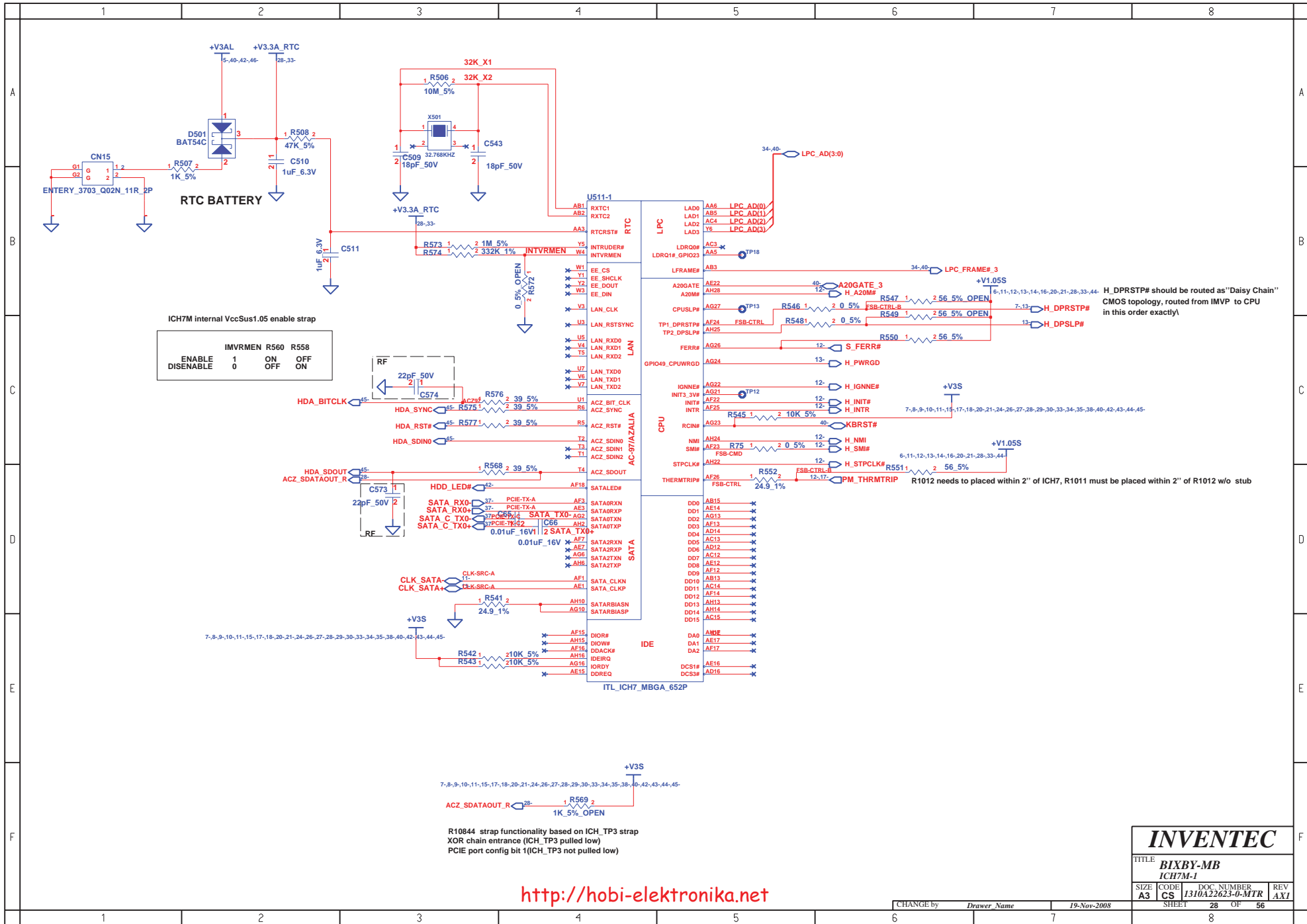
SIZE A3	CODE CS	DOC. NUMBER 1310A22623-0-MTR	REV AX1
CHANGE by <i>Drawer Name</i>		19-Nov-2008	
SHEET		26 OF 56	

CHANGE by *Drawer Name* 19-Nov-2008

SHEET 26 OF 56



INVENTEC			
TITLE: BIXBY-MB LVDS			
SIZE: A3	CODE: CS	DOC NUMBER: 1310A22623-0-MTR	REV: AX1
CHANGE by: <i>Drawer Name</i>		19-Nov-2008	
SHEET: 27		OF: 56	



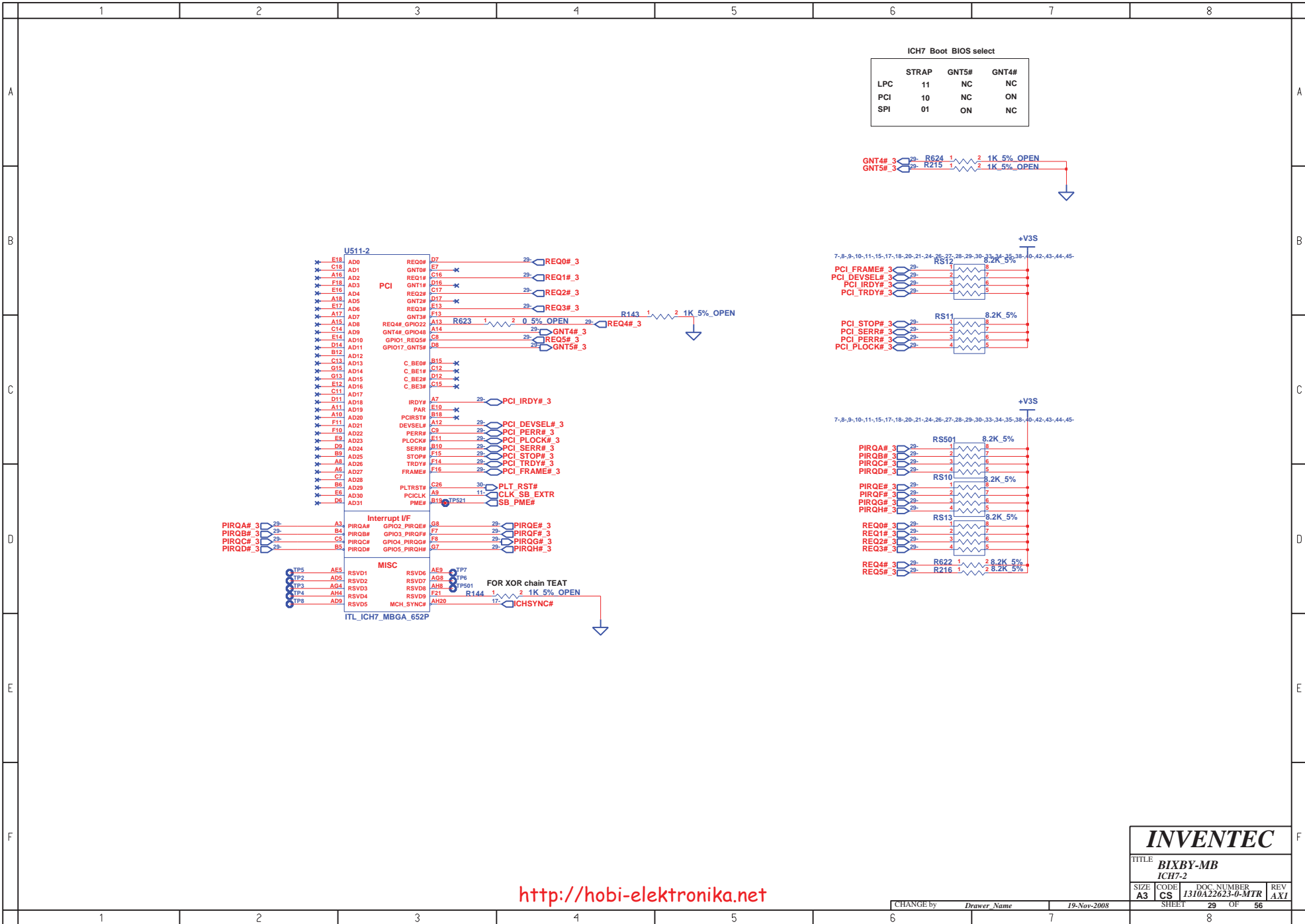
<http://hobi-elektronika.net>

INVENTEC

TITLE
BIXBY-MB
ICH7M-1

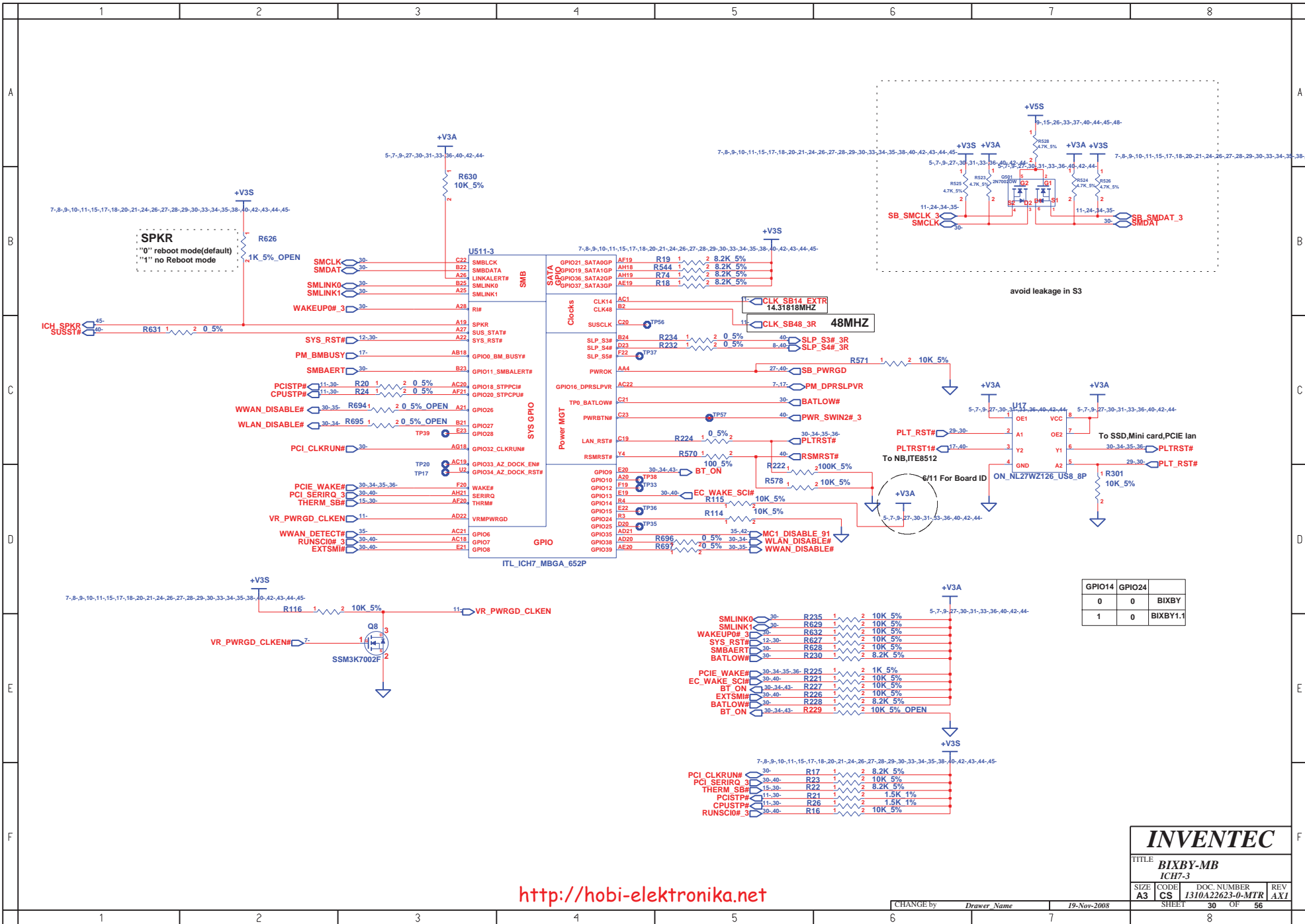
SIZE CODE DOC NUMBER REV
A3 CS 1310A22623-0-MTR AX1

SHEET 28 OF 56



<http://hobi-elektronika.net>

INVENTEC			
TITLE: BIXBY-MB ICH7-2			
SIZE: A3	CODE: CS	DOC NUMBER: 1310A22623-0-MTR	REV: AX1
CHANGE by: Drawer Name		19-Nov-2008	SHEET: 29 OF 56



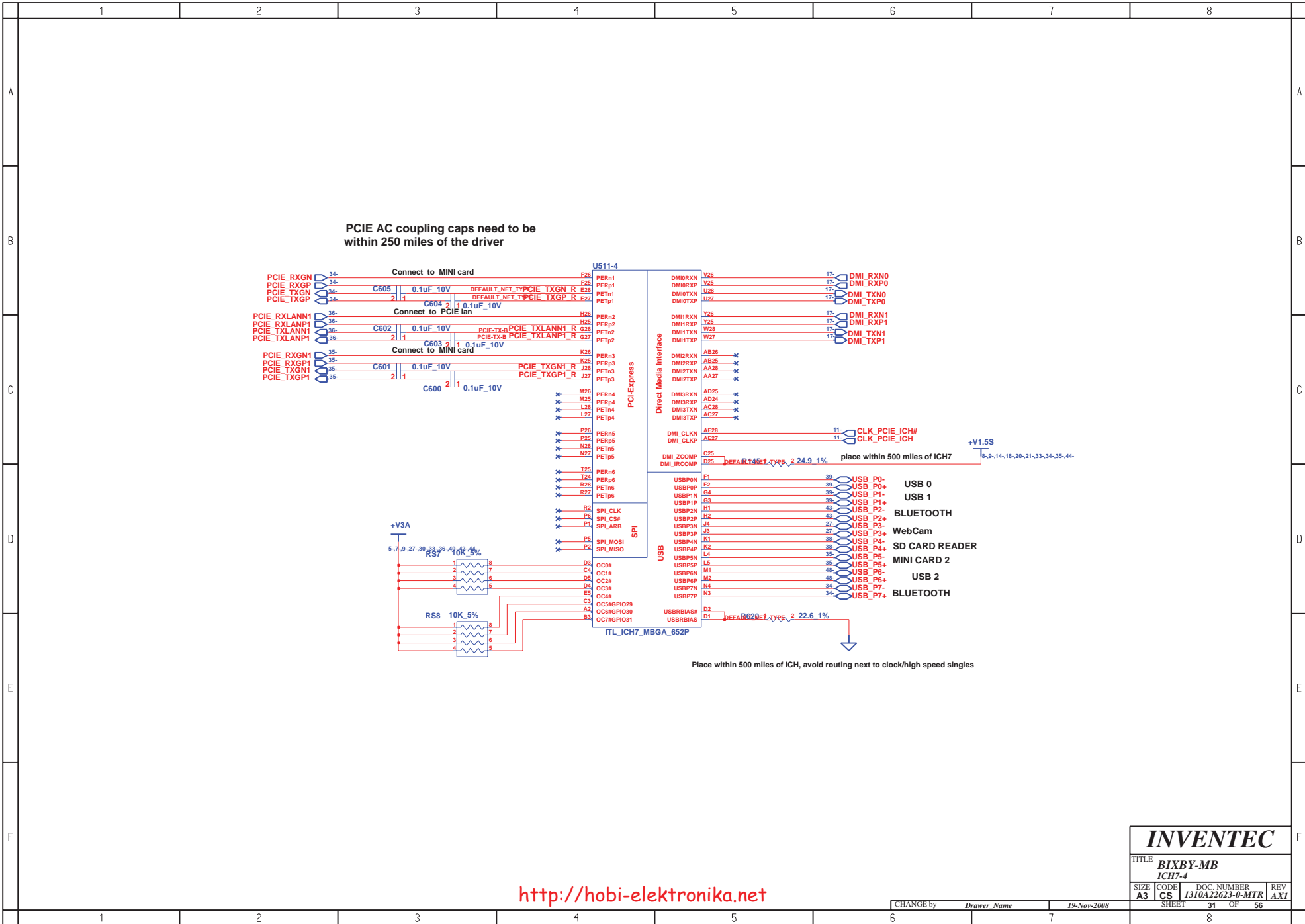
SPKR
 "0" reboot mode(default)
 "1" no Reboot mode

avoid leakage in S3

GPIO14	GPIO24	
0	0	BIXBY
1	0	BIXBY1.1

<http://hobi-elektronika.net>

INVENTEC			
TITLE BIXBY-MB ICH7-3			
SIZE A3	CODE CS	DOC NUMBER I310A22623-0-MTR	REV AXI
CHANGE by <i>Drawer Name</i>		19-Nov-2008	
SHEET		30 OF 56	



INVENTEC			
TITLE BIXBY-MB ICH7-4			
SIZE A3	CODE CS	DOC NUMBER 1310A22623-0-MTR	REV AX1
CHANGE by <i>Drawer Name</i>		19-Nov-2008	SHEET 31 OF 56

	1	2	3	4	5	6	7	8	
A									A
B									B
C									C
D									D
E									E
F									F

U511-5

A4	VSS1	VSS98	P28
A3	VSS2	VSS99	R1
B1	VSS3	VSS100	R11
B8	VSS4	VSS101	R12
B11	VSS5	VSS102	R13
B14	VSS6	VSS103	R14
B17	VSS7	VSS104	R15
B20	VSS8	VSS105	R16
B26	VSS9	VSS106	R17
B36	VSS10	VSS107	R18
C2	VSS11	VSS108	T6
C6	VSS12	VSS109	T12
C27	VSS13	VSS110	T13
D10	VSS14	VSS111	T14
D13	VSS15	VSS112	T15
D18	VSS16	VSS113	T16
D21	VSS17	VSS114	T17
D24	VSS18	VSS115	U4
E1	VSS19	VSS116	U12
E2	VSS20	VSS117	U13
E4	VSS21	VSS118	U14
E8	VSS22	VSS119	U15
E15	VSS23	VSS120	U16
F3	VSS24	VSS121	U17
F4	VSS25	VSS122	U24
F5	VSS26	VSS123	U25
F12	VSS27	VSS124	U26
F27	VSS28	VSS125	V2
F28	VSS29	VSS126	V13
G1	VSS30	VSS127	V15
G2	VSS31	VSS128	V24
G5	VSS32	VSS129	V27
G6	VSS33	VSS130	V28
G9	VSS34	VSS131	W5
G14	VSS35	VSS132	W24
G18	VSS36	VSS133	W25
G21	VSS37	VSS134	W26
G24	VSS38	VSS135	Y3
G25	VSS39	VSS136	Y24
G26	VSS40	VSS137	Y27
H3	VSS41	VSS138	Y28
H4	VSS42	VSS139	AA1
H5	VSS43	VSS140	AA24
H24	VSS44	VSS141	AA25
H27	VSS45	VSS142	AA26
H28	VSS46	VSS143	AB4
J1	VSS47	VSS144	AB6
J2	VSS48	VSS145	AB11
J5	VSS49	VSS146	AB14
J24	VSS50	VSS147	AB16
J25	VSS51	VSS148	AB19
J26	VSS52	VSS149	AB21
K24	VSS53	VSS150	AB24
K27	VSS54	VSS151	AB27
K28	VSS55	VSS152	AB28
L13	VSS56	VSS153	AC2
L15	VSS57	VSS154	AC5
L24	VSS58	VSS155	AC9
L25	VSS59	VSS156	AC11
L26	VSS60	VSS157	AD1
M3	VSS61	VSS158	AD3
M4	VSS62	VSS159	AD4
M5	VSS63	VSS160	AD7
M12	VSS64	VSS161	AD8
M13	VSS65	VSS162	AD11
M14	VSS66	VSS163	AD15
M15	VSS67	VSS164	AD19
M16	VSS68	VSS165	AD23
M17	VSS69	VSS166	AE2
M24	VSS70	VSS167	AE4
M27	VSS71	VSS168	AE8
M28	VSS72	VSS169	AE11
N1	VSS73	VSS170	AE13
N2	VSS74	VSS171	AE18
N5	VSS75	VSS172	AE21
N6	VSS76	VSS173	AE24
N11	VSS77	VSS174	AE25
N12	VSS78	VSS175	AF2
N13	VSS79	VSS176	AF4
N14	VSS80	VSS177	AF3
N15	VSS81	VSS178	AF11
N16	VSS82	VSS179	AF27
N17	VSS83	VSS180	AF28
N18	VSS84	VSS181	AG1
N24	VSS85	VSS182	AG3
N25	VSS86	VSS183	AG7
N26	VSS87	VSS184	AG11
P3	VSS88	VSS185	AG14
P4	VSS89	VSS186	AG17
P12	VSS90	VSS187	AG20
P13	VSS91	VSS188	AG25
P14	VSS92	VSS189	AH1
P15	VSS93	VSS190	AH3
P16	VSS94	VSS191	AH7
P17	VSS95	VSS192	AH12
P24	VSS96	VSS193	AH23
P27	VSS97	VSS194	AH27

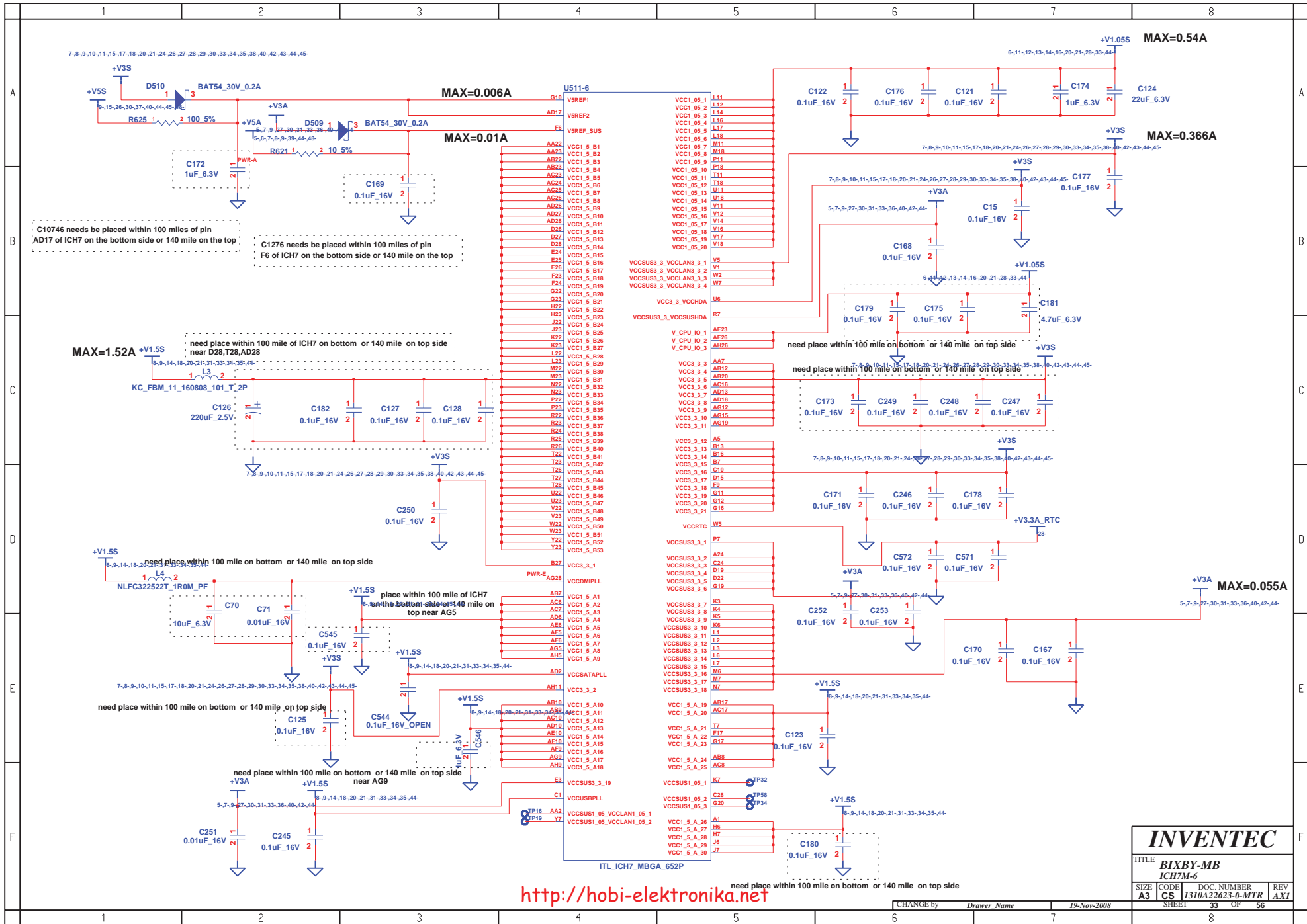
ITL_ICH7_MBGA_652P

<http://hobi-elektronika.net>

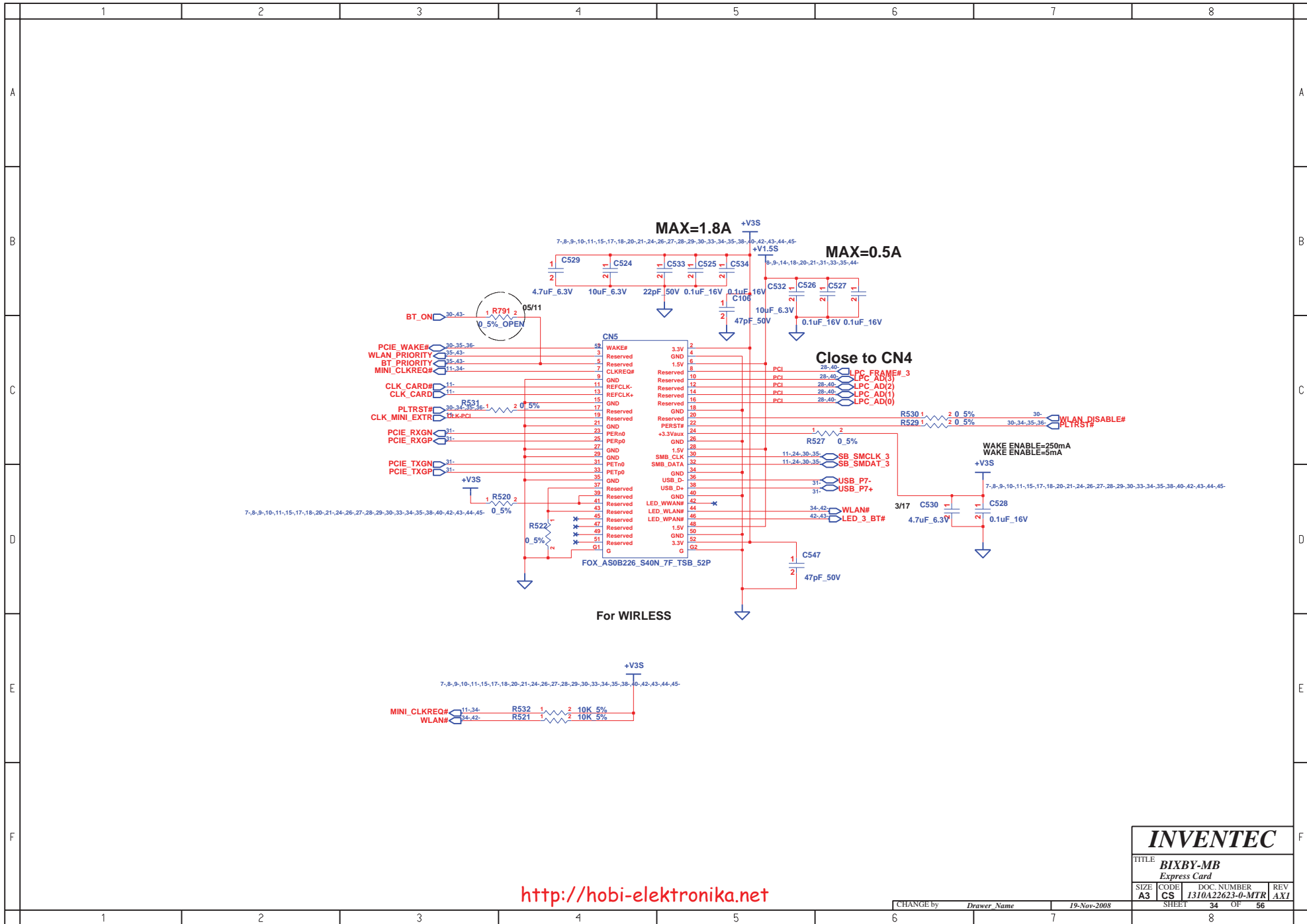
INVENTEC			
TITLE BIXBY-MB			
ICH7-5			
SIZE	CODE	DOC NUMBER	REV
A3	CS	I310A22623-0-MTR	AXI
SHEET		OF	
32		OF	56

CHANGE by *Drawer Name* 19-Nov-2008

	1	2	3	4	5	6	7	8	
--	---	---	---	---	---	---	---	---	--

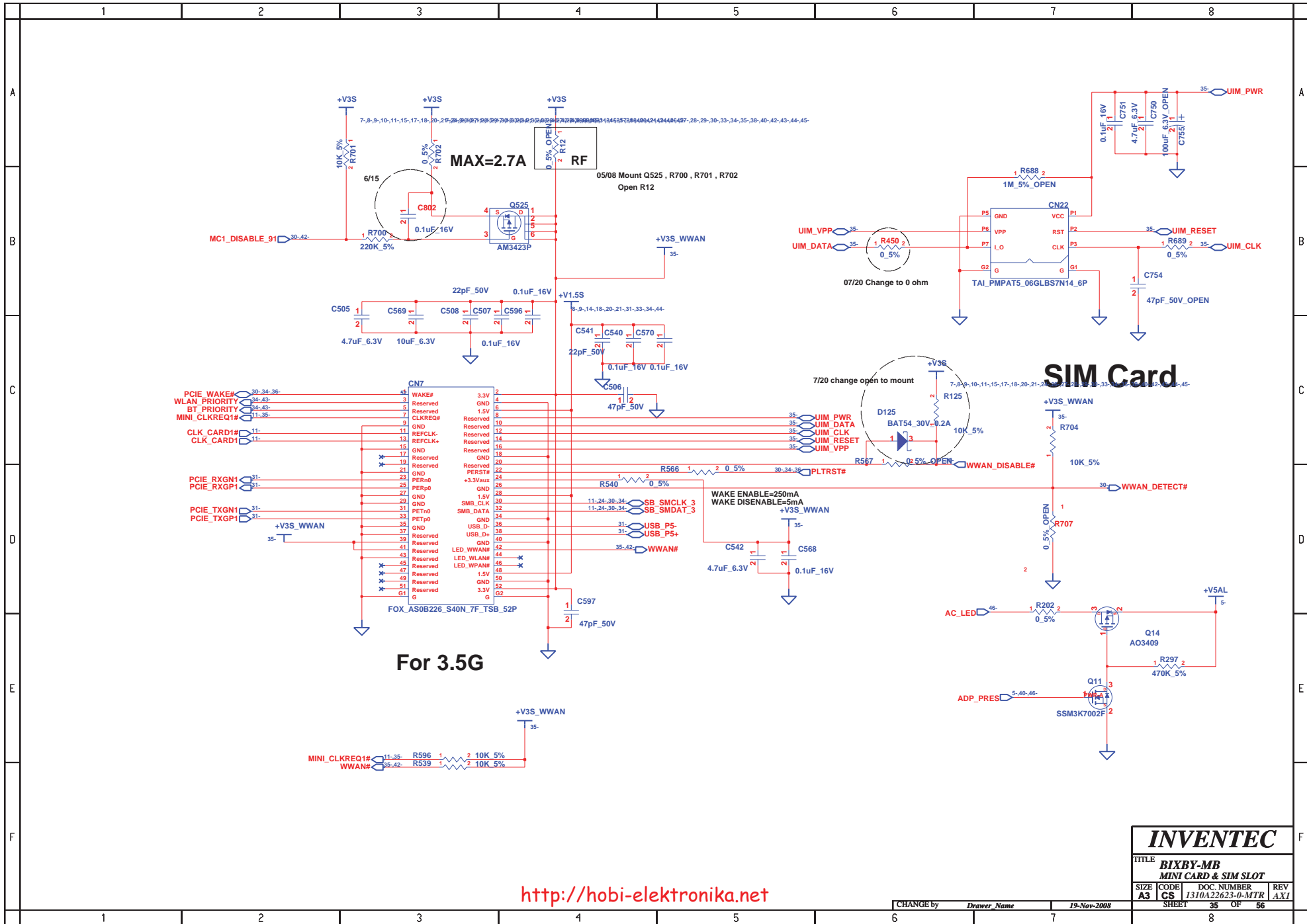


CHANGE by *Drawer Name* 19-Nov-2008



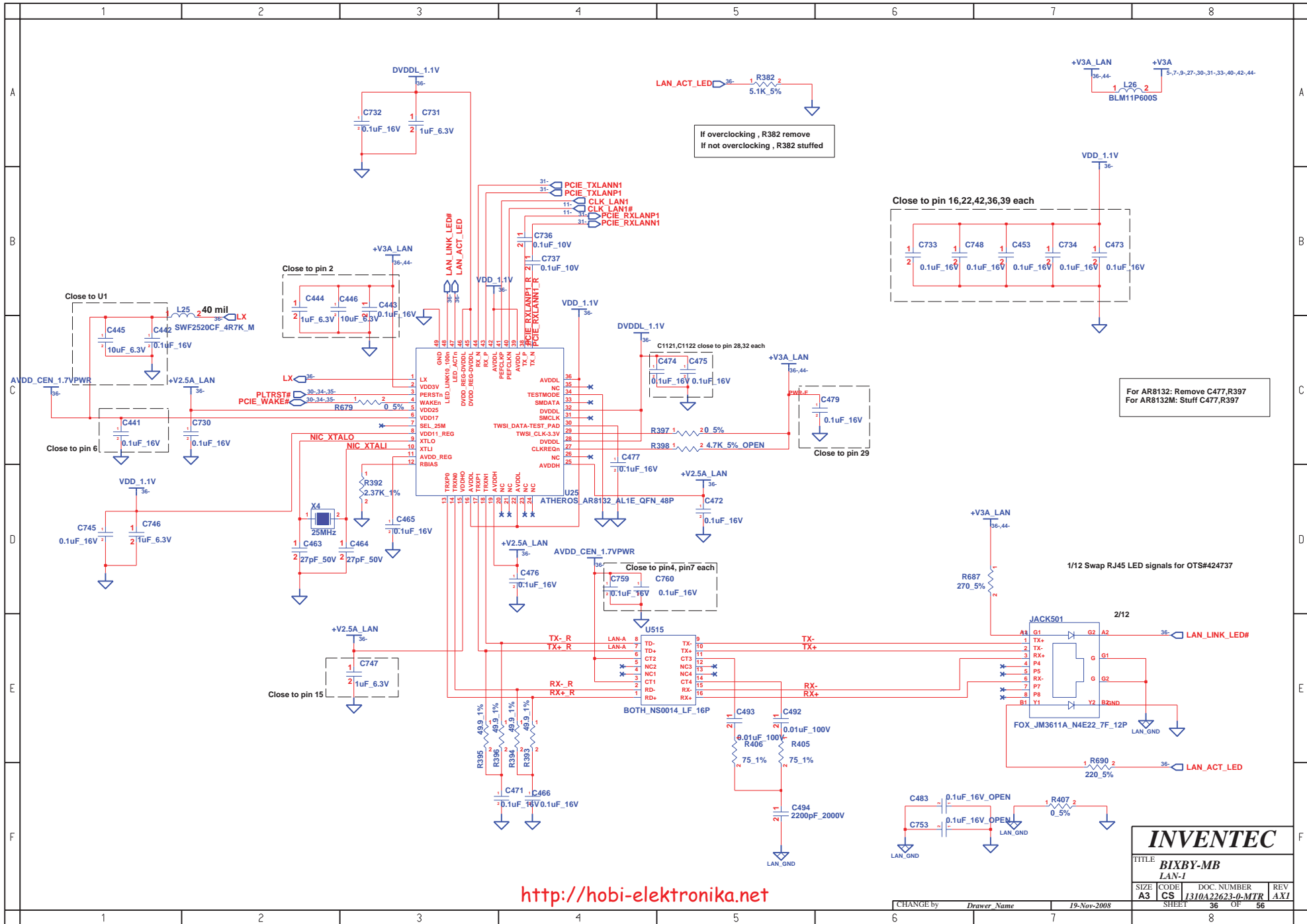
<http://hobi-elektronika.net>

INVENTEC			
TITLE BIXBY-MB Express Card			
SIZE A3	CODE CS	DOC NUMBER I310A22623-0-MTR	REV AXI
CHANGE by Drawer Name		19-Nov-2008	SHEET 34 OF 56



<http://hobi-elektronika.net>

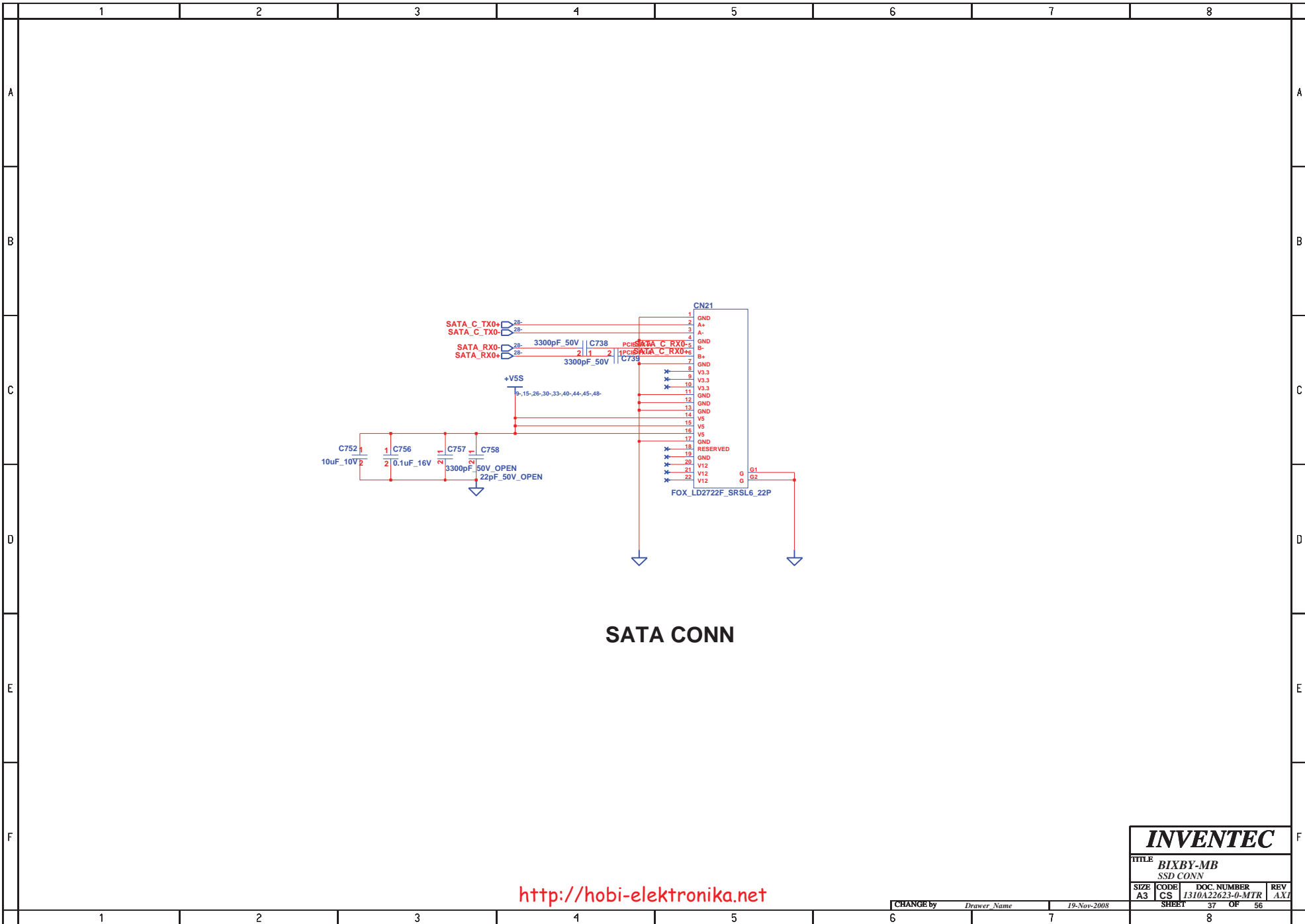
INVENTEC				
TITLE: BIXBY-MB MINI CARD & SIM SLOT				
SIZE: A3	CODE: CS	DOC NUMBER: I310A22623-0-MTR	REV: AX1	
CHANGE by: <i>Drawer Name</i> 19-Nov-2008			SHEET: 35 OF 56	



<http://hobi-elektronika.net>

INVENTEC			
TITLE BIXBY-MB LAN-1			
SIZE A3	CODE CS	DOC. NUMBER 1310A22623-0-MTR	REV AX1
SHEET 36		OF 56	

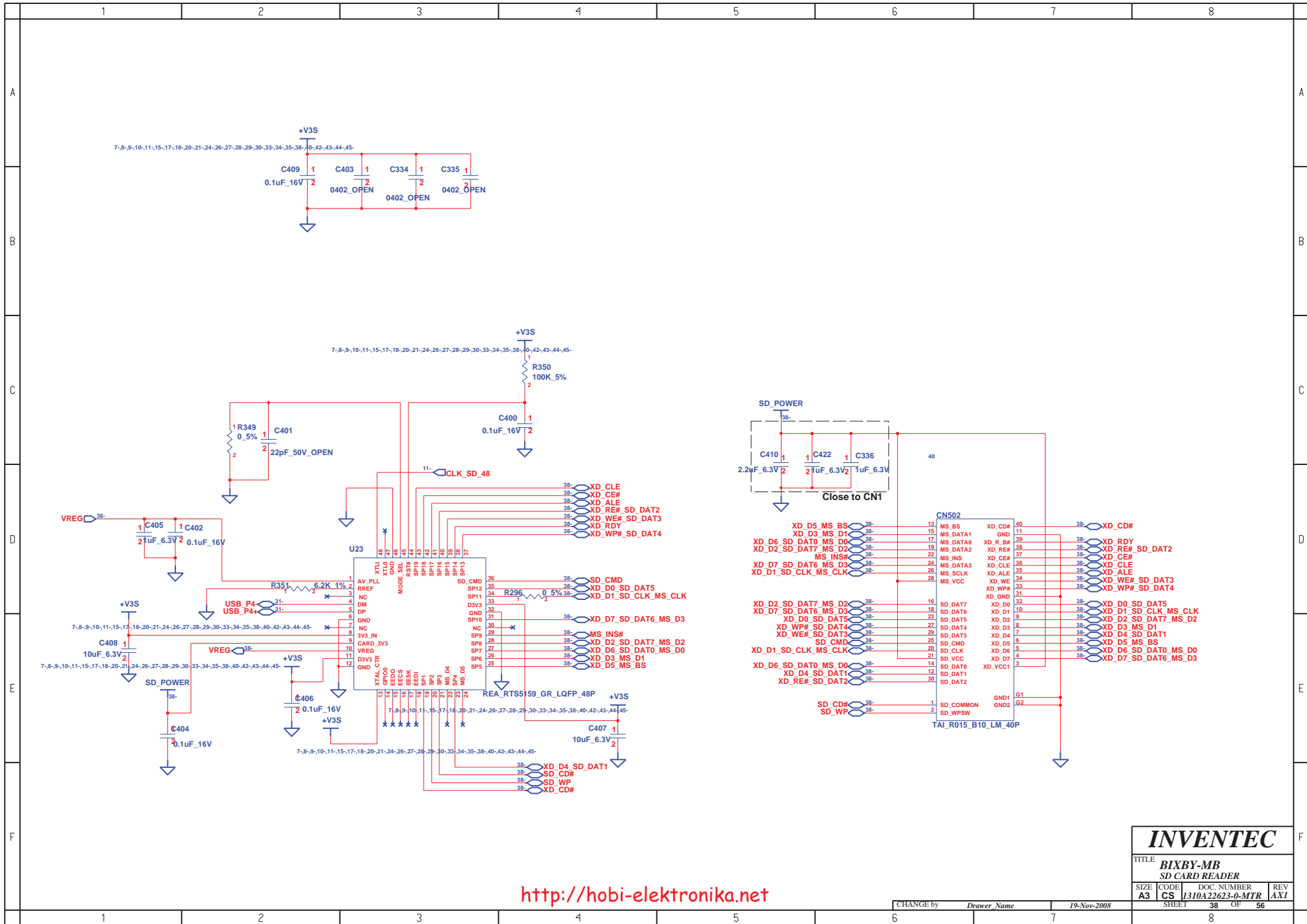
CHANGE by *Drawer Name* 19-Nov-2008



SATA CONN

<http://hobi-elektronika.net>

INVENTEC			
TITLE BIXBY-MB SSD CONN			
SIZE A3	CODE CS	DOC. NUMBER 1310A22623-0-MTR	REV AXJ
CHANGE by Drawer Name		19-Nov-2008	SHEET 37 OF 56



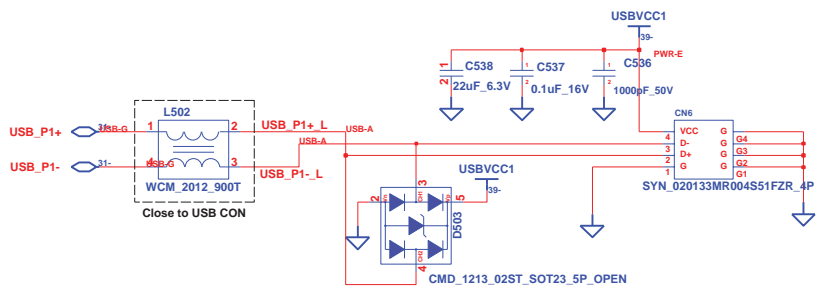
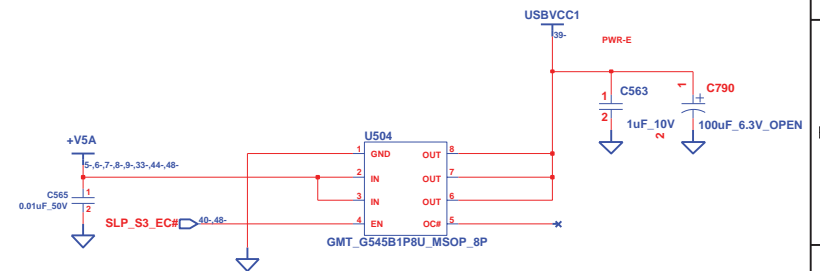
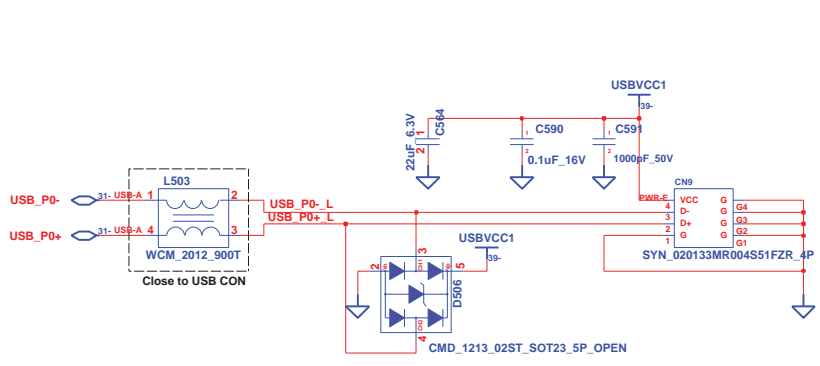
<http://hobi-elektronika.net>

INVENTEC

TITLE
BIXBY-MB
SD CARD READER

SIZE	CODE	DOC. NUMBER	REV
A3	CS	I310A22623-0-MTR	AX1
SHEET		38	OF 56

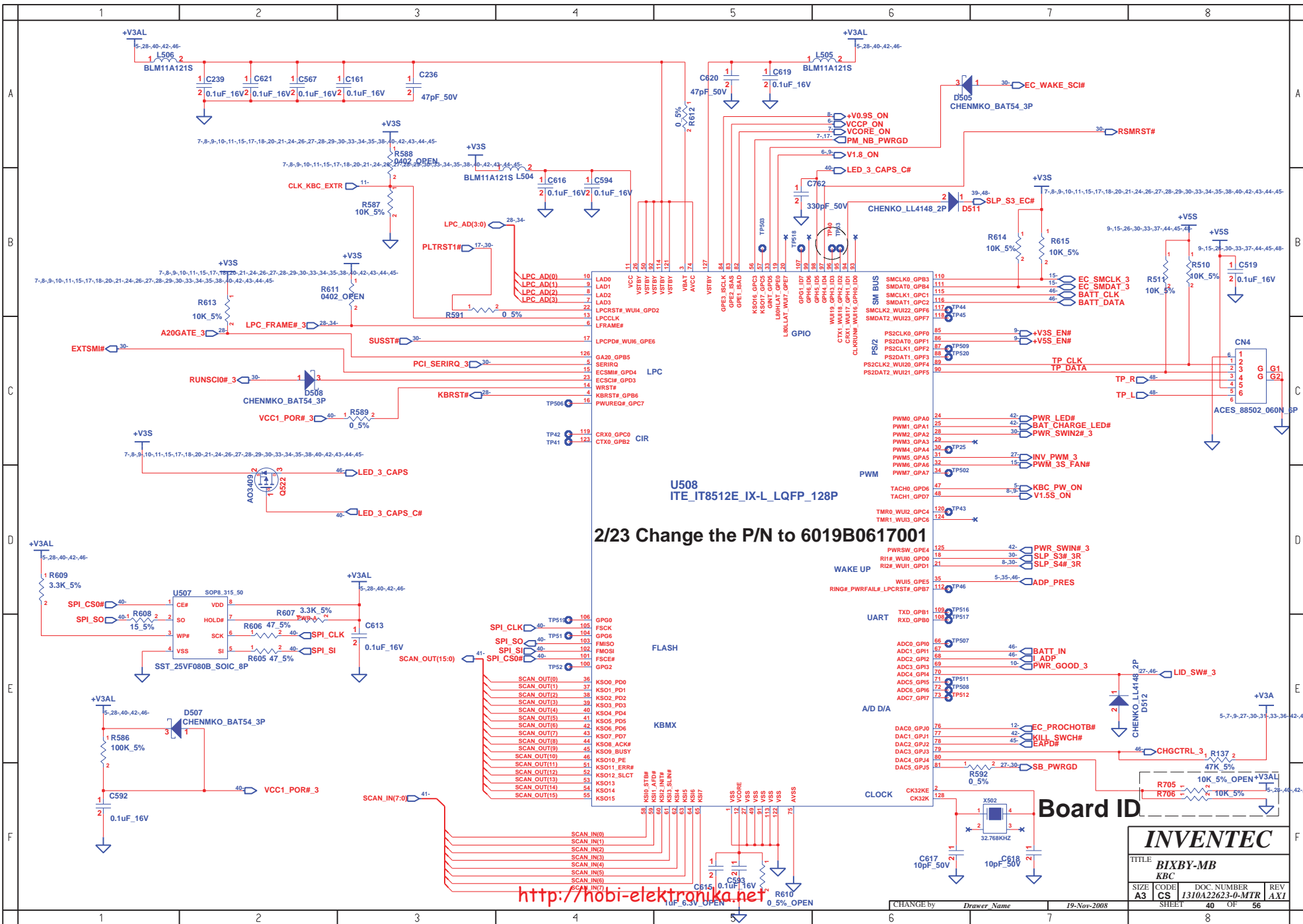
CHANGE by *Drawer Name* 19-Nov-2008

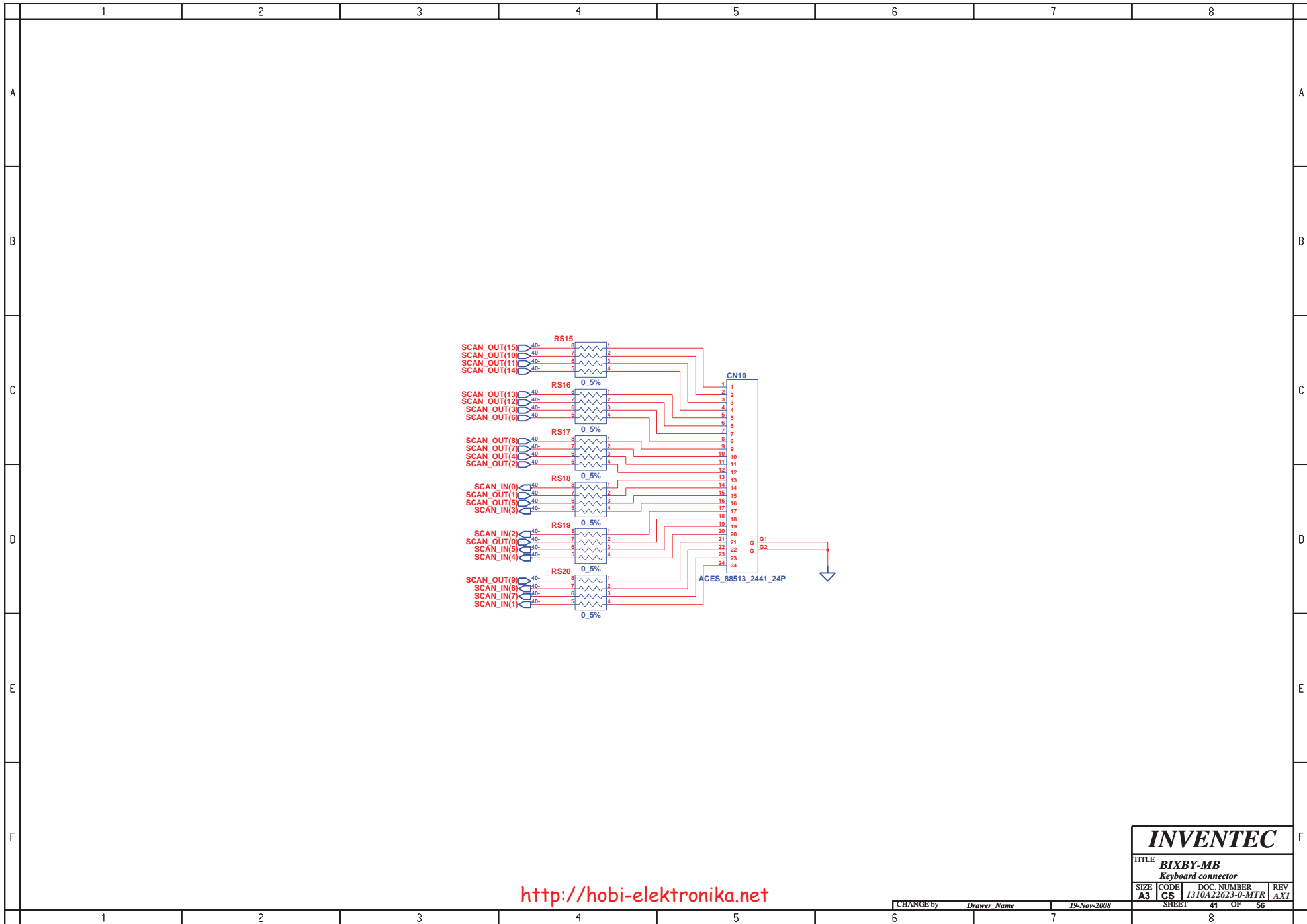


<http://hobi-elektronika.net>

TITLE			
BIXBY-MB			
USB&SATA CONN			
SIZE	CODE	DOC. NUMBER	REV
A3	CS	I310A22623-0-MTR	AX1
SHEET		OF	
39		56	

CHANGE by *Drawer Name* 19-Nov-2008





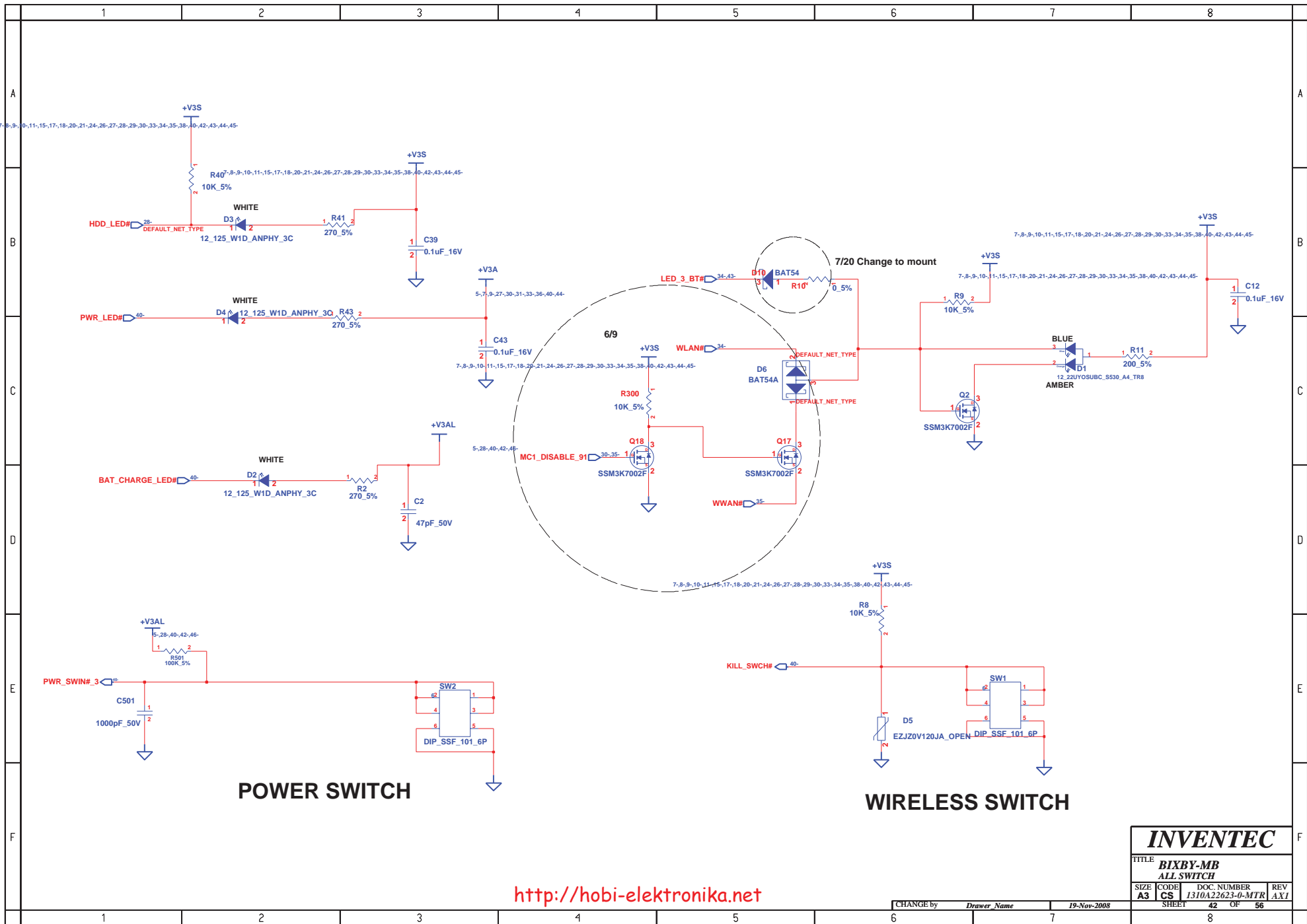
<http://hobi-elektronika.net>

INVENTEC

TITLE **BIXBY-MB**
Keyboard connector

SIZE A3	CODE CS	DOC NUMBER 1310A22623-0-MTR	REV AX1
SHEET 41		OF 56	

CHANGE by *Drawer Name* 19-Nov-2008

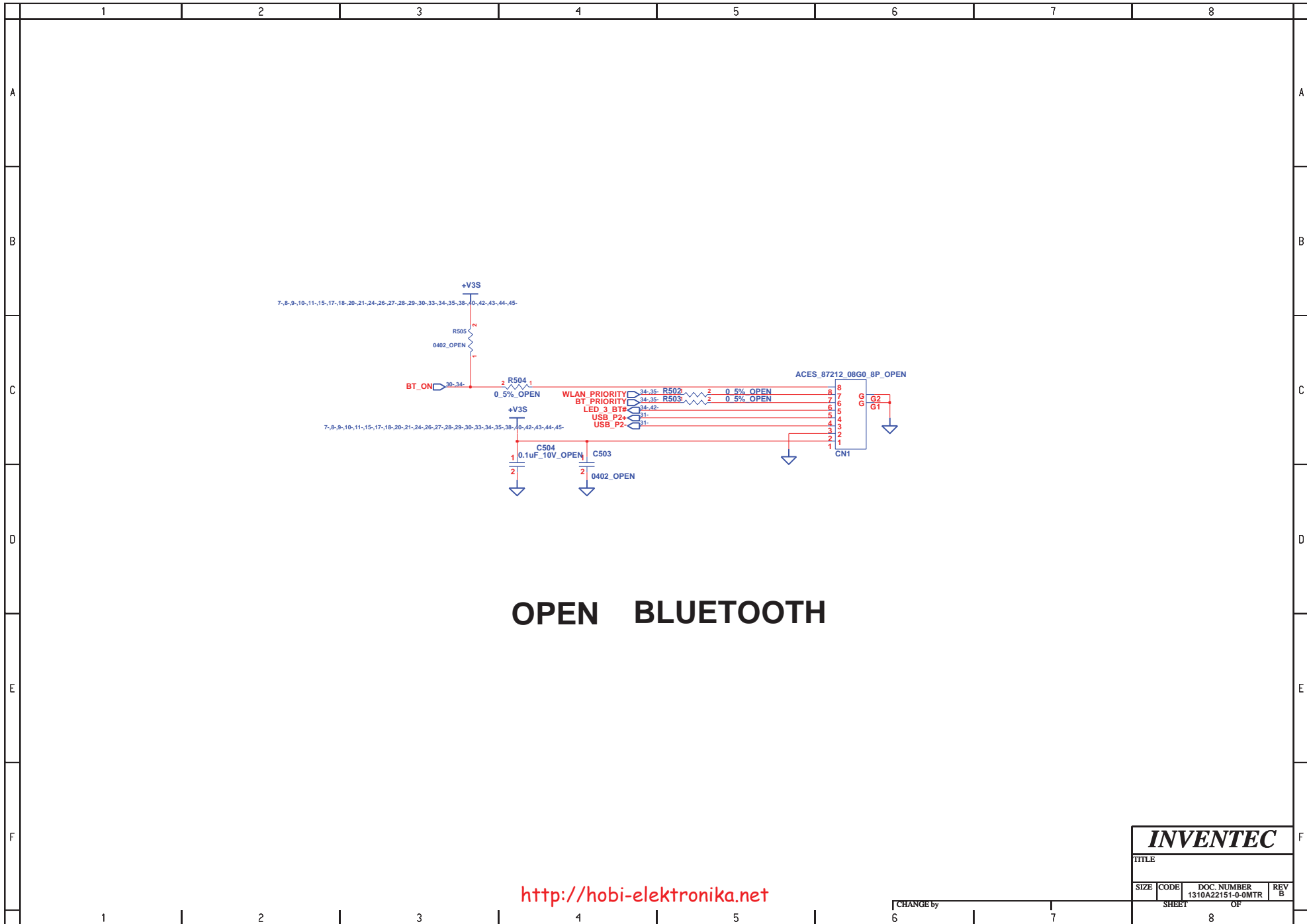


POWER SWITCH

WIRELESS SWITCH

<http://hobi-elektronika.net>

INVENTEC				
TITLE BIXBY-MB ALL SWITCH				
SIZE A3	CODE CS	DOC. NUMBER 1310A22623-0-MTR	REV AX1	
CHANGE by Drawer Name		19-Nov-2008		SHEET 42 OF 56

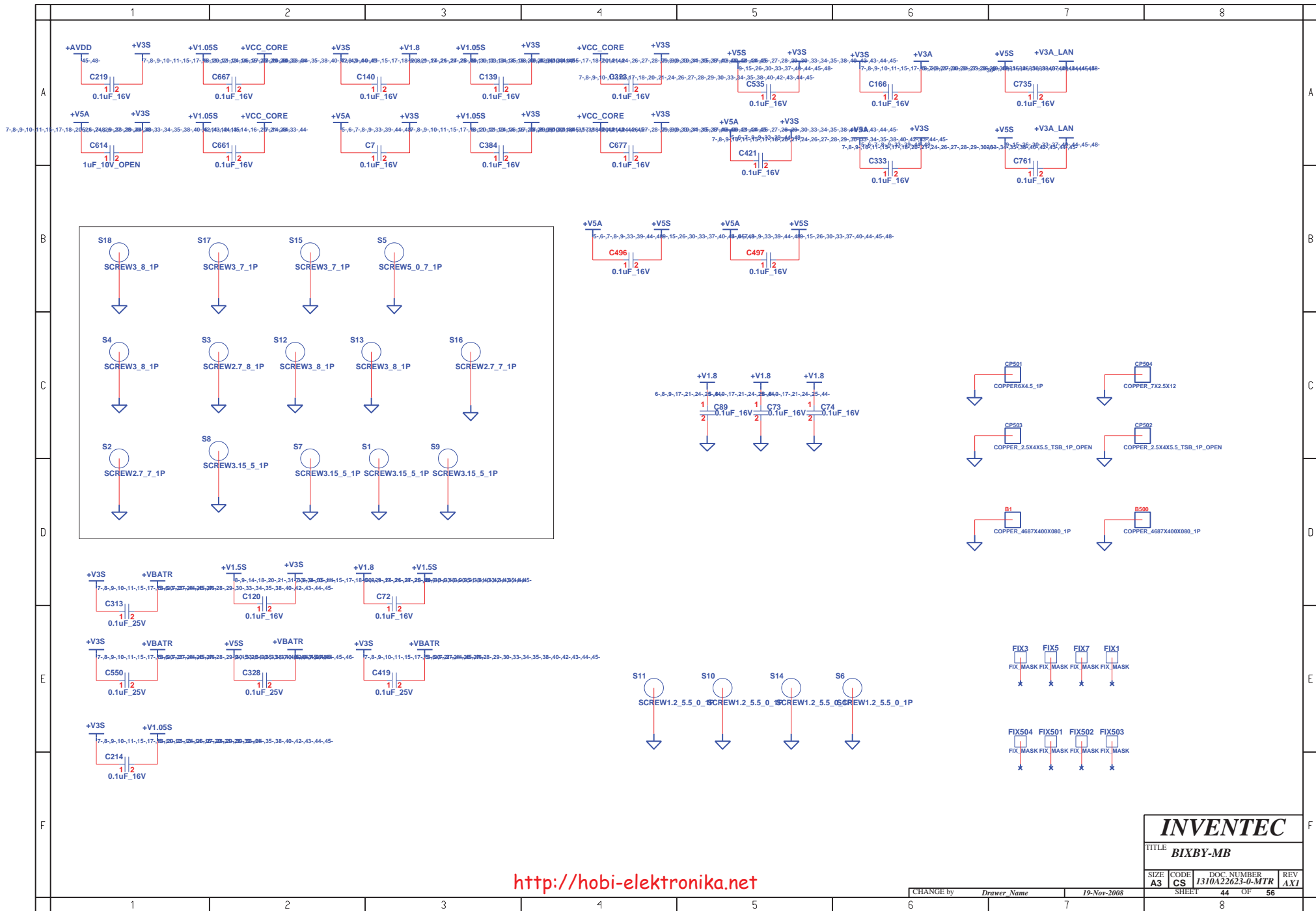


OPEN BLUETOOTH

<http://hobi-elektronika.net>

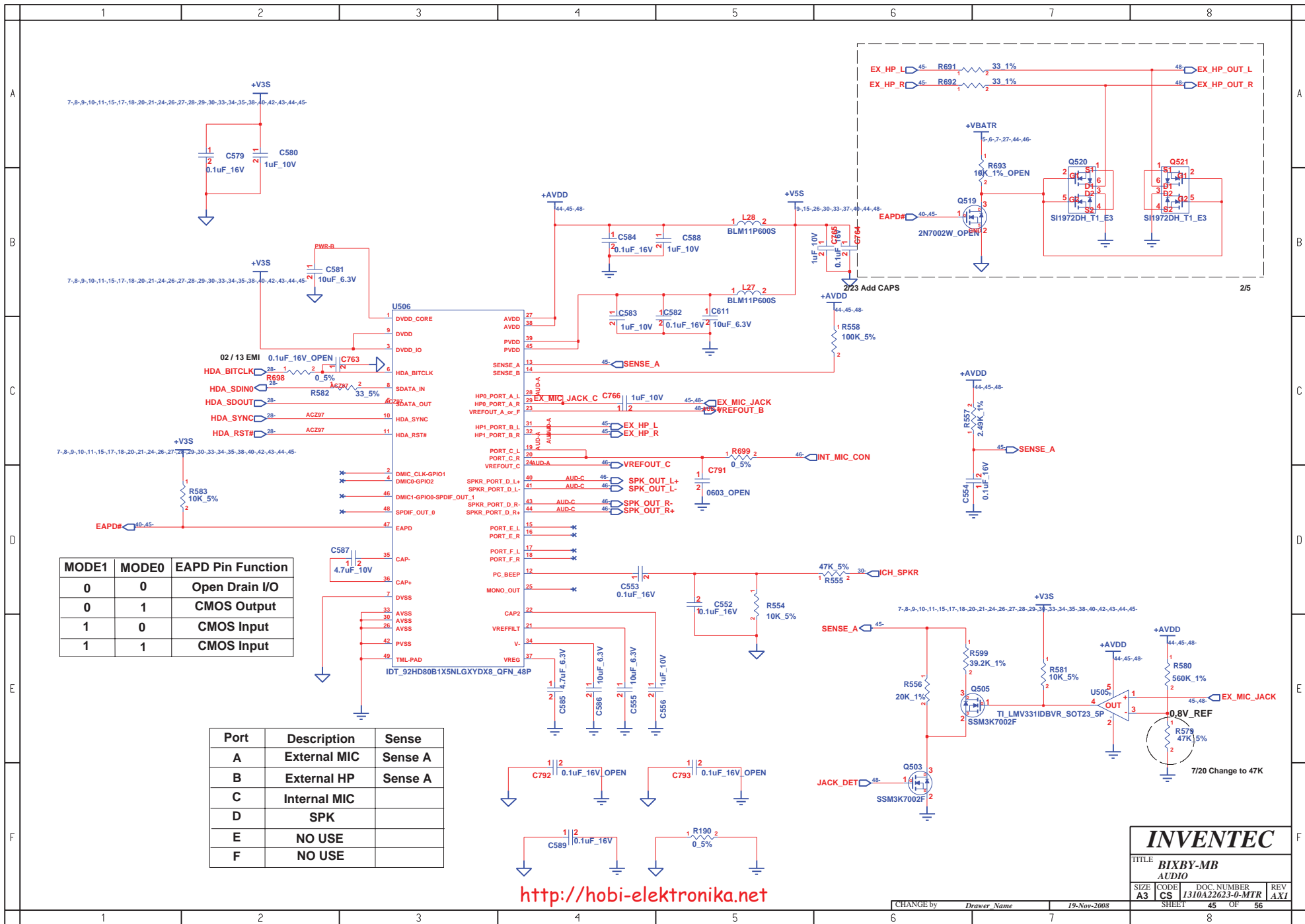
INVENTEC			
TITLE			
SIZE	CODE	DOC. NUMBER	REV
		1310AZ2151-0-0MTR	B
SHEET		OF	
		8	

CHANGE by _____



<http://hobi-elektronika.net>

INVENTEC			
TITLE BIXBY-MB			
SIZE A3	CODE CS	DOC. NUMBER I310A22623-0-MTR	REV AX1
CHANGE by <i>Drawer Name</i>		19-Nov-2008	
SHEET 44		OF 56	



MODE1	MODE0	EAPD Pin Function
0	0	Open Drain I/O
0	1	CMOS Output
1	0	CMOS Input
1	1	CMOS Input

Port	Description	Sense
A	External MIC	Sense A
B	External HP	Sense A
C	Internal MIC	
D	SPK	
E	NO USE	
F	NO USE	

<http://hobi-elektronika.net>

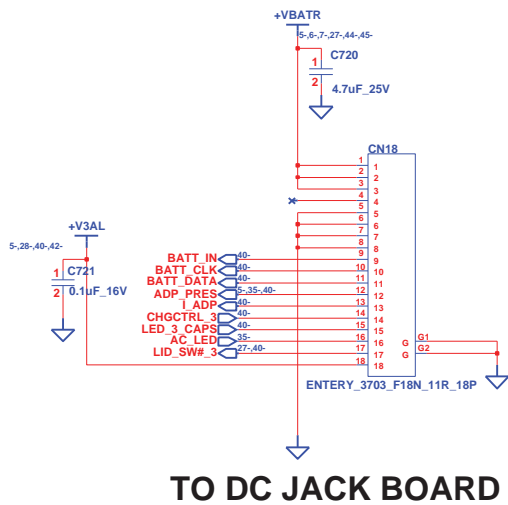
INVENTEC

TITLE: **BIXBY-MB AUDIO**

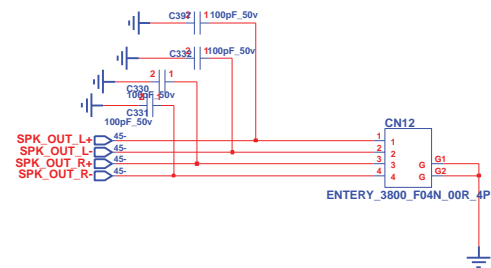
SIZE	CODE	DOC NUMBER	REV
A3	CS	1310A22623-0-MTR	AX1

SHEET 45 OF 56

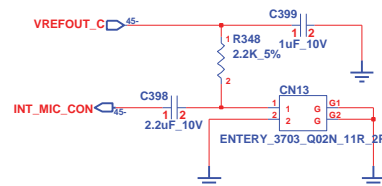
CHANGE by *Drawer Name* 19-Nov-2008



TO DC JACK BOARD



SPK Connector



MIC Connector

<http://hobi-elektronika.net>

INVENTEC			
TITLE BIXBY-MB			
SIZE A3	CODE CS	DOC NUMBER I310A22623-0-MTR	REV AXI
CHANGE by <i>Drawer Name</i>		6-Dec-2008	SHEET 46 OF 56

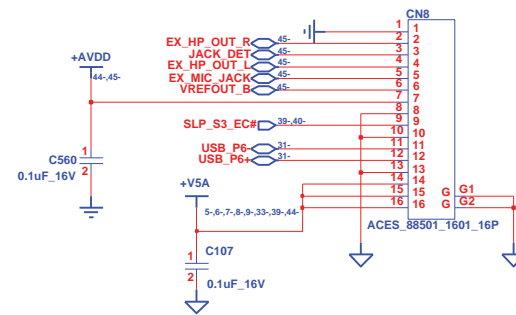
6 7

8

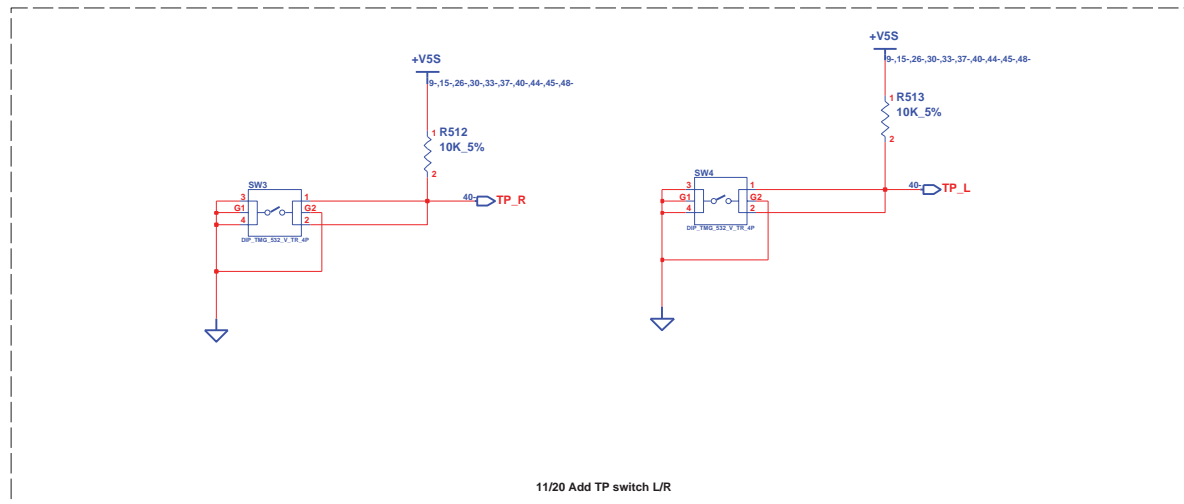
	1	2	3	4	5	6	7	8	
A									A
B									B
C									C
D									D
E									E
F									F
	1	2	3	4	5	6	7	8	

<http://hobi-elektronika.net>

INVENTEC			
TITLE BIXBY-MB			
AUDIO			
SIZE	CODE	DOC. NUMBER	REV.
A3	CS	1310A22623-0-MTR	AX
CHANGE by		Drawer Name	20-Feb-2009
SHEET		47	OF 56



11/17 Add AUDIO JACK BOARD CONN



11/20 Add TP switch L/R

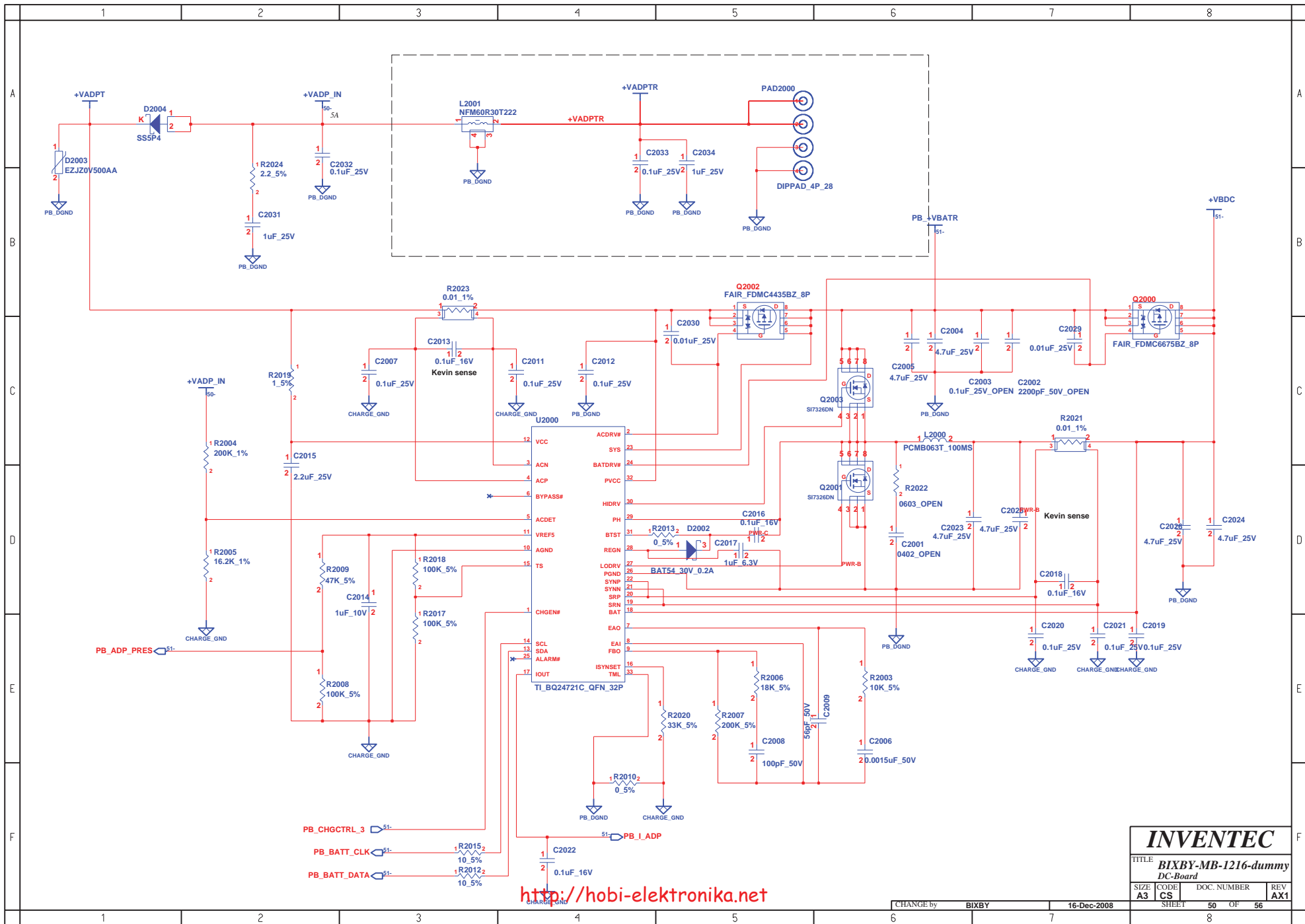
<http://hobi-elektronika.net>

INVENTEC			
TITLE BIXBY-MB DC BOARD			
SIZE A3	CODE CS	DOC. NUMBER I310A22623-0-MTR	REV AX1
CHANGE by <i>Drawer Name</i>		19-Nov-2008	SHEET 48 OF 56

	1	2	3	4	5	6	7	8	
A	<i>BIXBY HISTORY</i>								A
B									B
C									C
D									D
E									E
F									F
	1	2	3	4	5	6	7	8	

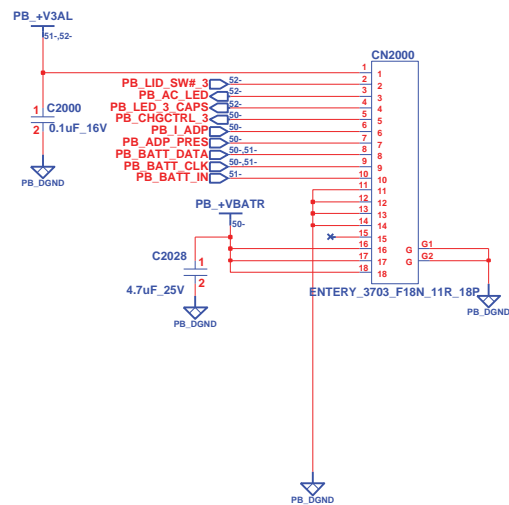
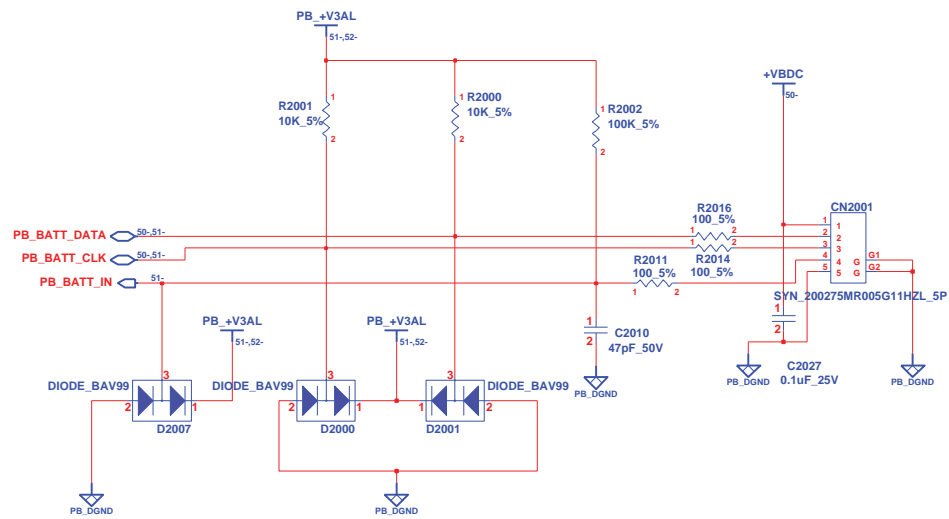
<http://hobi-elektronika.net>

INVENTEC			
TITLE BIXBY-MB			
History			
SIZE	CODE	DOC. NUMBER	REV
A3	CS	1310A22623-0-MTR	AX1
CHANGE by		Drawer Name	13-Apr-2009
SHEET		49	OF 56



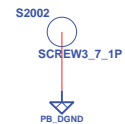
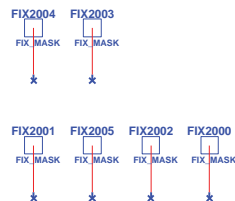
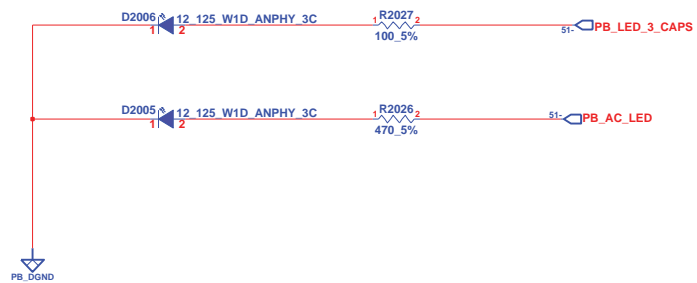
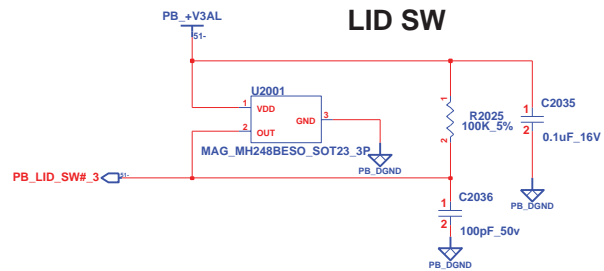
<http://hobi-elektronika.net>

INVENTEC			
TITLE BIXBY-MB-1216-dummy DC-Board			
SIZE A3	CODE CS	DOC. NUMBER 50 OF 56	REV AX1
CHANGE by BIXBY		16-Dec-2008	
SHEET		8	



<http://hobi-elektronika.net>

INVENTEC			
TITLE BIXBY-MB-1216-dummy DC-Board			
SIZE A3	CODE CS	DOC. NUMBER 51 OF 56	REV AX1
CHANGE by BIXBY		16-Dec-2008	SHEET



<http://hobi-elektronika.net>

INVENTEC			
TITLE BIXBY-MB-1216-dummy			
DC-Board			
SIZE A3	CODE CS	DOC. NUMBER 52 OF 56	REV AX1
CHANGE by BIXBY		24-Apr-2009	SHEET 8

1

2

3

4

5

6

7

8

A

A

B

B

C

C

D

D

E

E

F

F

BIXBY DC JACK Board HISTORY

<http://hobi-elektronika.net>

INVENTEC			
TITLE <i>BIXBY-MB-1216-dummy</i>			
DC-Board			
SIZE	CODE	DOC. NUMBER	REV
A3	CS	53	AX1
SHEET		OF	
8		56	

CHANGE by **BIXBY** 13-Apr-2009

1

2

3

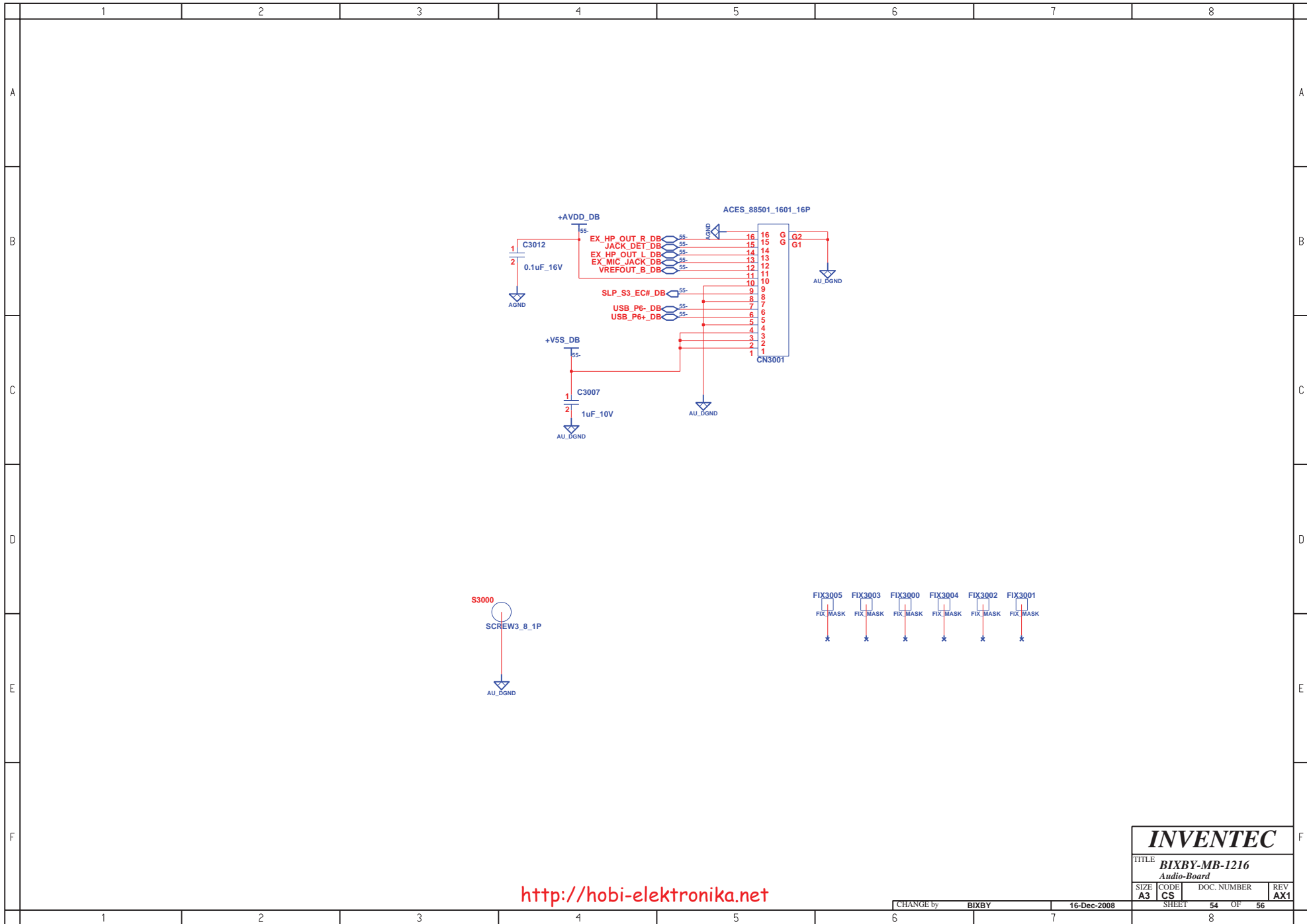
4

5

6

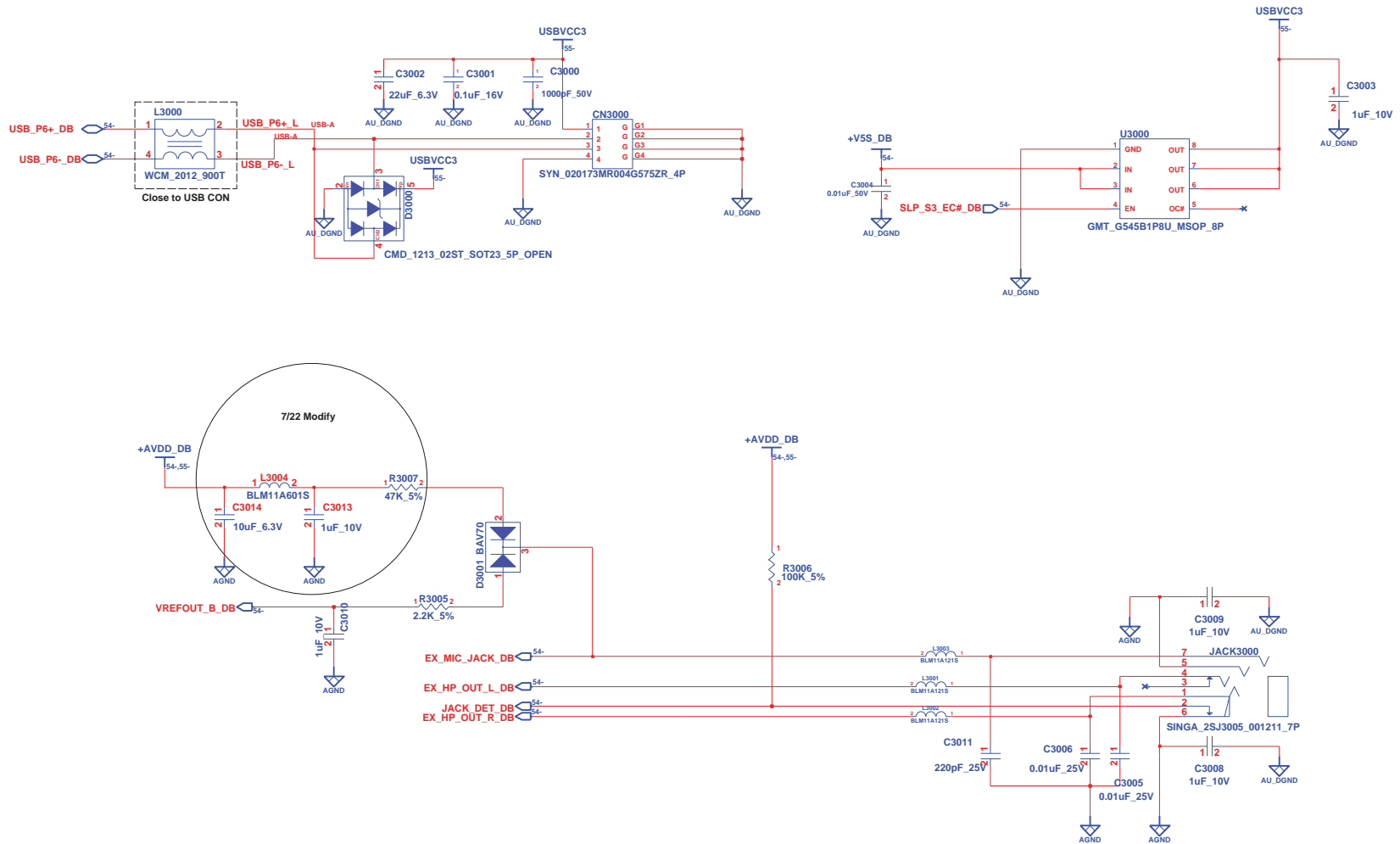
7

8



<http://hobi-elektronika.net>

INVENTEC			
TITLE BIXBY-MB-1216 Audio-Board			
SIZE A3	CODE CS	DOC. NUMBER 54 OF 56	REV AX1
CHANGE by BIXBY		16-Dec-2008	SHEET 8



<http://hobi-elektronika.net>

INVENTEC

TITLE
BIXBY-MB-1216
 Audio-Board

SIZE A3	CODE CS	DOC. NUMBER 55 OF 56	REV AX1
-------------------	-------------------	-------------------------	-------------------

1

2

3

4

5

6

7

8

A

BIXBY_AUDIO JACK BOARD HISTORY

A

B

B

C

C

D

D

E

E

F

F

<http://hobi-elektronika.net>

INVENTEC			
TITLE BIXBY-MB-1216			
Audio-Board			
SIZE	CODE	DOC. NUMBER	REV
A3	CS	56	AX1
SHEET		OF	
8		56	

CHANGE by BIXBY 13-Apr-2009

1

2

3

4

5

6

7

8