

Zenith UMA

Cycle 1 MV BUILD

2009.03.18

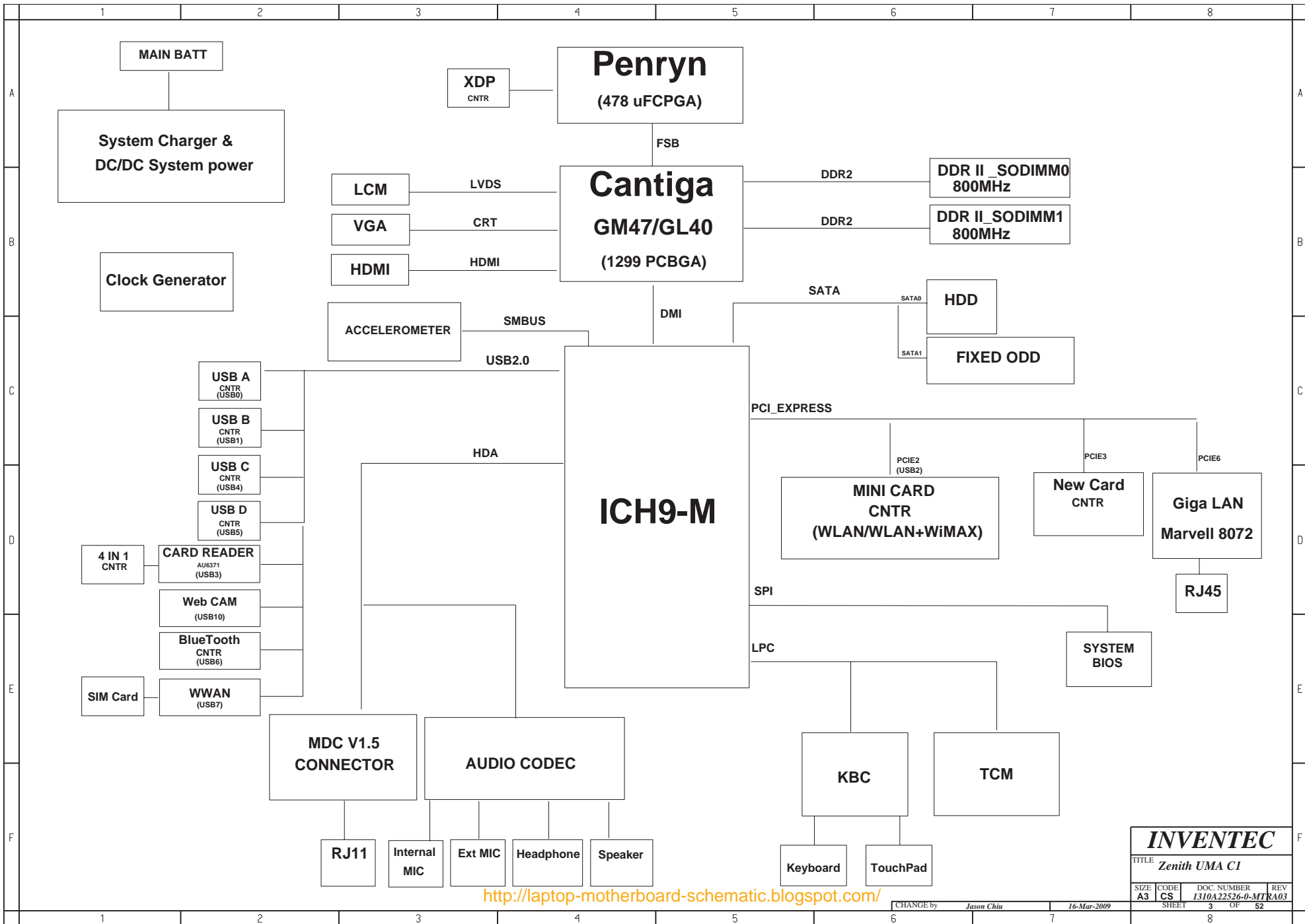
DATE	CHANGE NO.	REV

DRAWER	EE	DATE	POWER	DATE	INVENTEC TITLE <i>Zenith UMA C1</i>			
DESIGN								
CHECK								
RESPONSIBLE								
SIZE =	3	VER :			SIZE	CODE	DOC. NUMBER	REV
PN	XXXXXXXXXX				A3	CS	1310A22526-0-MTR	A03
					SHEET		1	OF 52

<http://laptop-motherboard-schematic.blogspot.com>

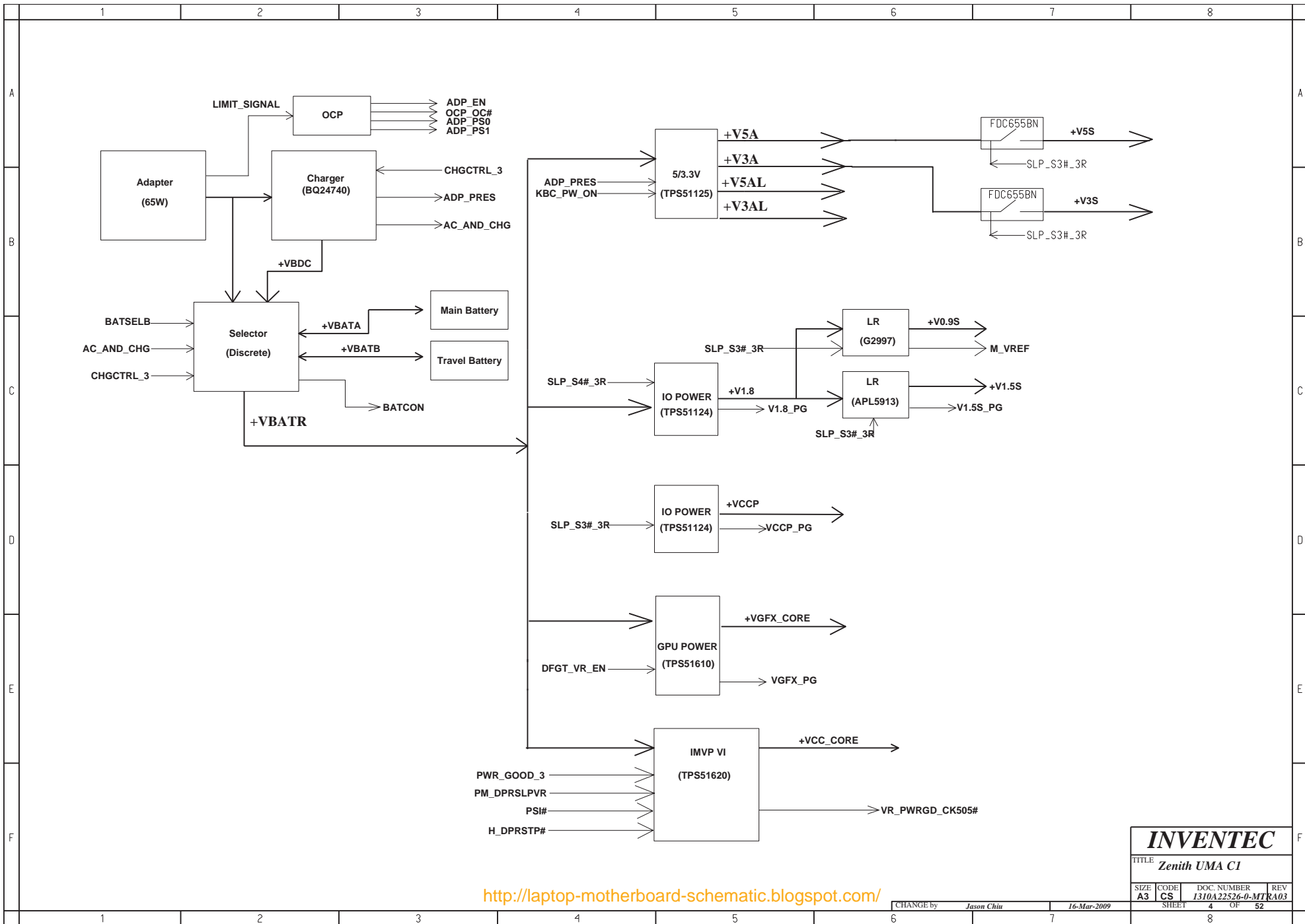
TABLE OF CONTENTS

PAGE	PAGE	PAGE
5- DC& BATTERY CHARGER	15- CLOCK_GENERATOR	36- SYSTEM BIOS
6- SELECT & BATTERY CONN	16- PENRYN-1	37- HDD&ODD CNTR
7- SYSTEM POWER(3V/5V)	17- PENRYN-2	38- USB CNTR
8- SYSTEM POWER(+V1.8/+V1.25S)	18- PENRYN-3	39- KBC
9- SYSTEM POWER(+VGFX/+VCCP)	19- THERMAL&FAN CONTROLLER	40- KB&TP CNTR
10- SYSTEM POWER(+V1.5S)	20- CANTIGA-1	41- AUDIO CODEC
11- CPU POWER(VCC_CORE)	21- CANTIGA-2	42- AUDIO JACK
12- DDR TERMINATION VOLTAGE	22- CANTIGA-3	43- Giga LAN
13- POWER(SLEEP)	23- CANTIGA-4	44-RJ-45 CONN
14- POWER(SEQUENCE)	24- CANTIGA-5	45- MINICARD(WLAN/WLAN+WiMAX/WWAN) & SIM Card CNTR
	25- CANTIGA-6	46- Express card & 4 in 1
	26- DDR2-DIMM0	47- BT & MDC & TCM
	27- DDR2-DIMM1	48- SWB & Button & LEDs
	28- DDR2-DAMPING	49- HDMI CONN & LEVEL SHIFT
	29- VGA CNTR	50- SCREW HOLE
	30- LCM CNTR	51- Switch & LED Board
	31- ICH9-1	52- ODD Extend Board
	32- ICH9-2	
	33- ICH9-3	
	34- ICH9-4	
	35- ICH9-5	



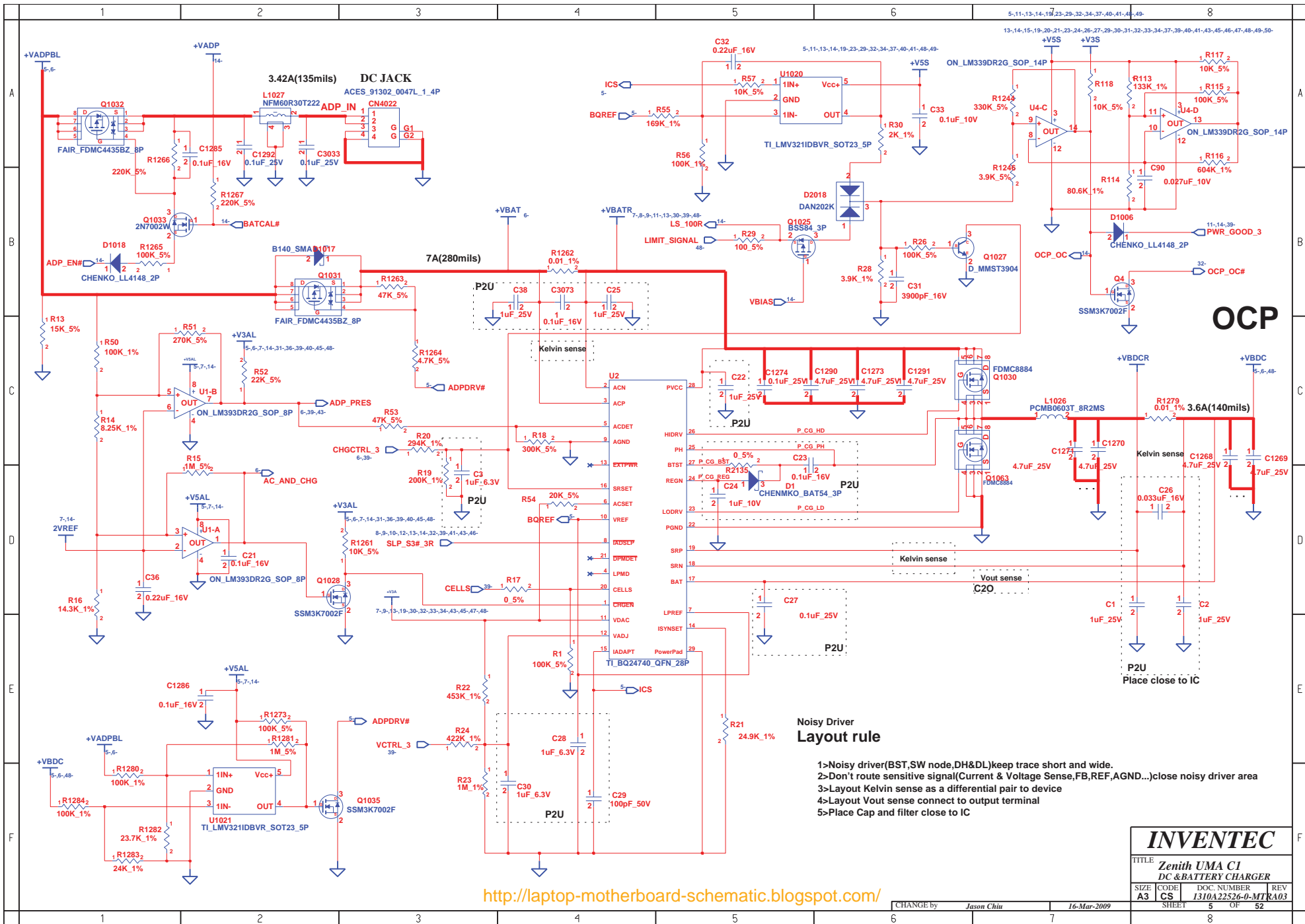
<http://laptop-motherboard-schematic.blogspot.com/>

INVENTEC			
TITLE Zenith UMA C1			
SIZE A3	CODE CS	DOC. NUMBER 1310A22526-0-MTR	REV A03
CHANGE by Jason Chiu		16-Mar-2009	SHEET 3 OF 52



<http://laptop-motherboard-schematic.blogspot.com/>

INVENTEC			
TITLE Zenith UMA C1			
SIZE A3	CODE CS	DOC. NUMBER 1310A22526-0-MTR	REV A03
CHANGE by <i>Jason Chiu</i>		16-Mar-2009	
SHEET 4		OF 52	



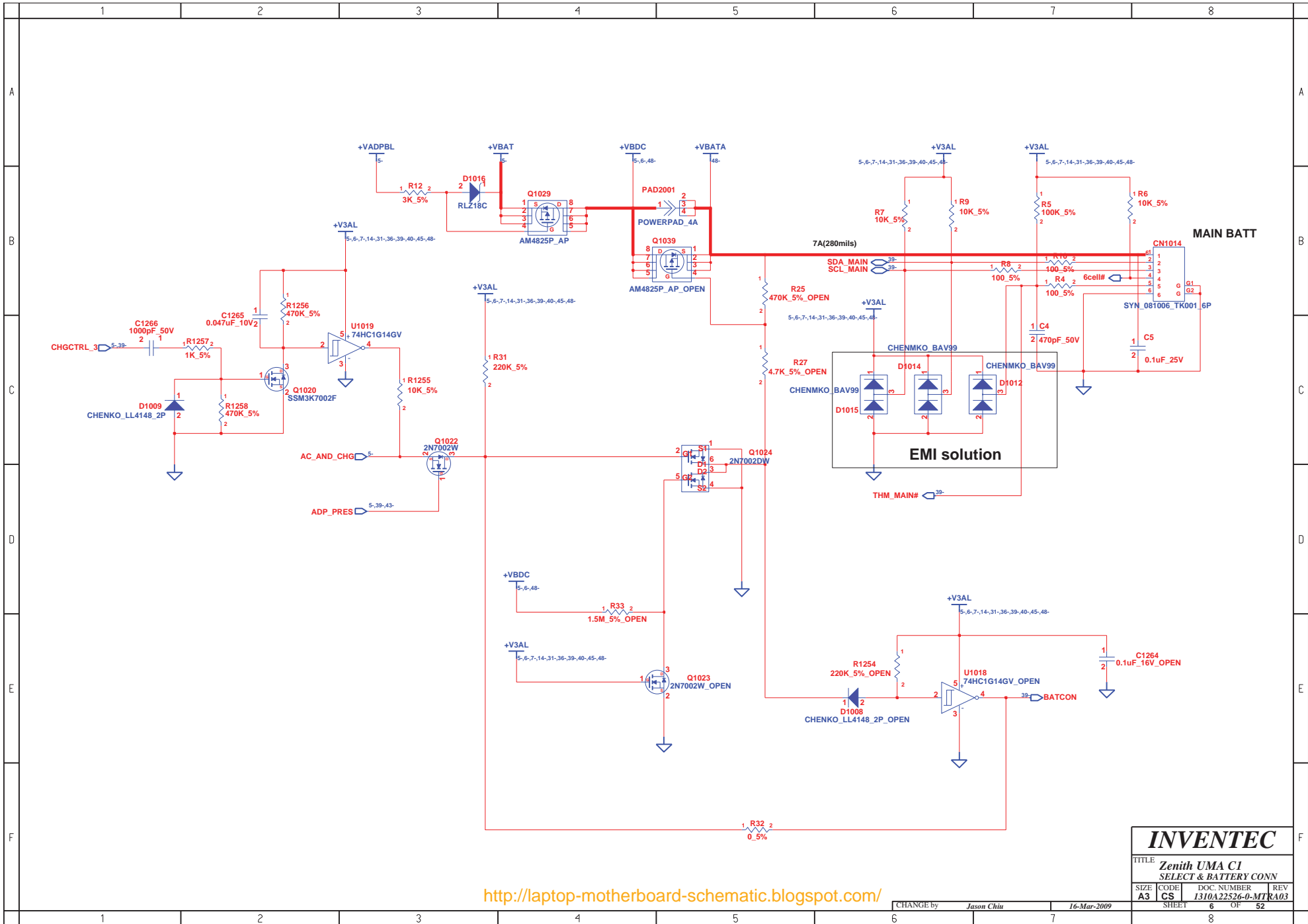
OCP

**Noisy Driver
Layout rule**

- 1>Noisy driver(BST,SW node,DH&DL)keep trace short and wide.
- 2>Don't route sensitive signal(Current & Voltage Sense,FB,REF,AGND...)close noisy driver area
- 3>Layout Kelvin sense as a differential pair to device
- 4>Layout Vout sense connect to output terminal
- 5>Place Cap and filter close to IC

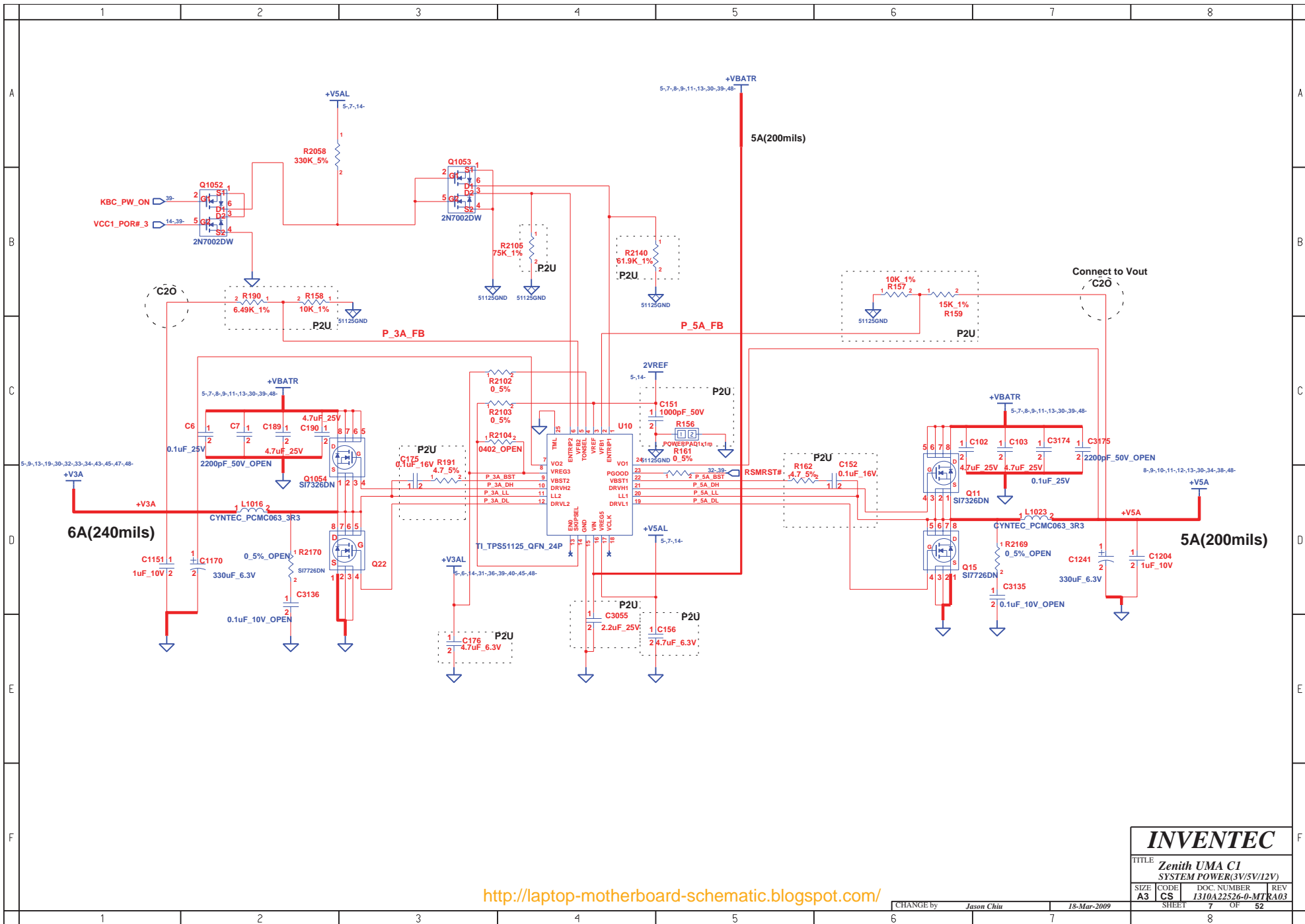
<http://laptop-motherboard-schematic.blogspot.com/>

INVENTEC			
TITLE Zenith UMA C1 DC & BATTERY CHARGER			
SIZE A3	CODE CS	DOC NUMBER I310A22526-0-MTR	REV RA03
CHANGE by Jason Chiu		16-Mar-2009	
SHEET 5		OF 52	



<http://laptop-motherboard-schematic.blogspot.com/>

INVENTEC			
TITLE Zenith UMA C1 SELECT & BATTERY CONN			
SIZE A3	CODE CS	DOC NUMBER 1310A22526-0-MTR	REV RA03
CHANGE by <i>Jason Chiu</i>		16-Mar-2009	
SHEET 6		OF 52	

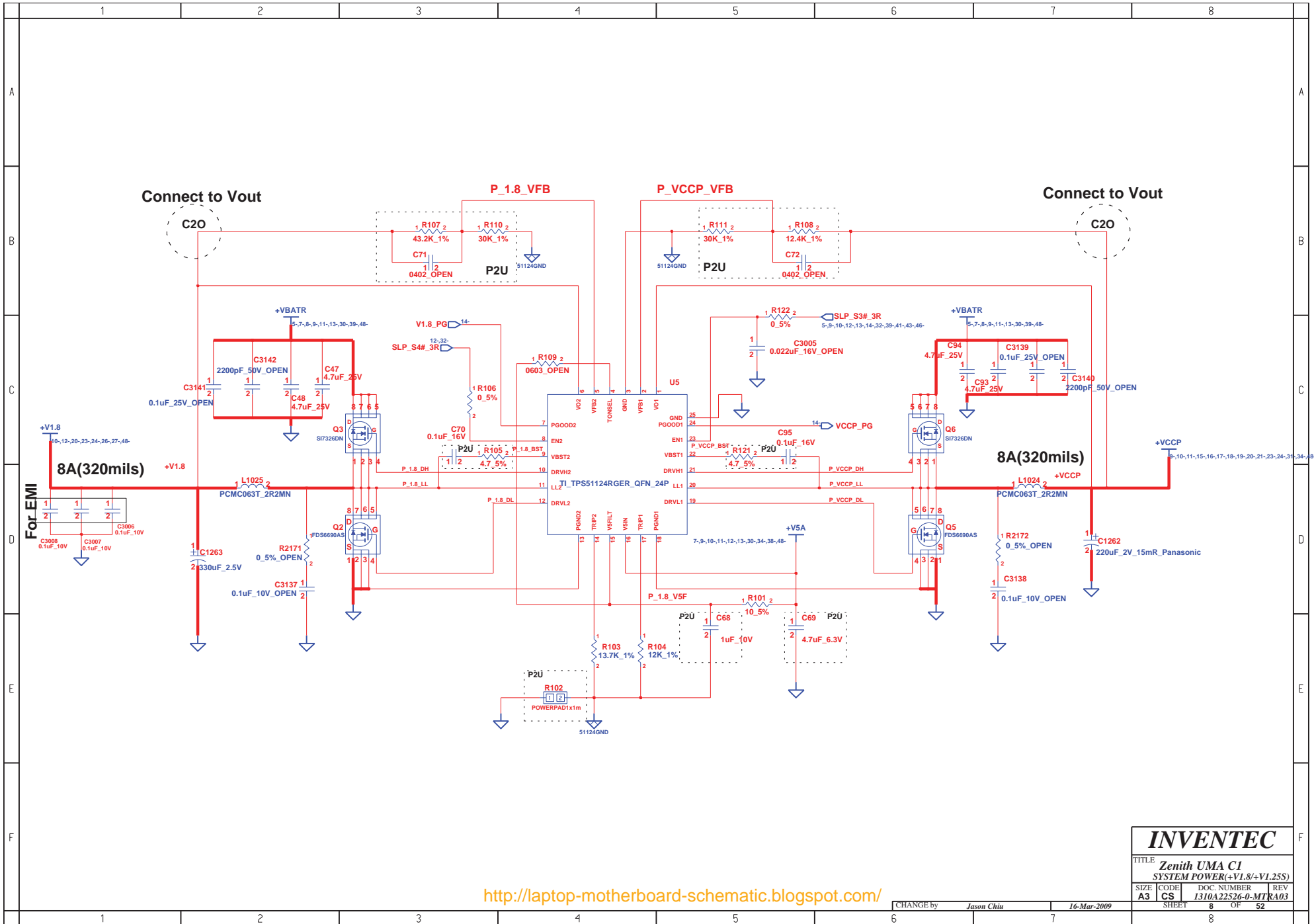


<http://laptop-motherboard-schematic.blogspot.com/>

INVENTEC

TITLE
Zenith UMA C1
SYSTEM POWER(3V/5V/12V)

SIZE A3	CODE CS	DOC NUMBER 1310A22526-0-MTR	REV A03
------------	------------	--------------------------------	------------

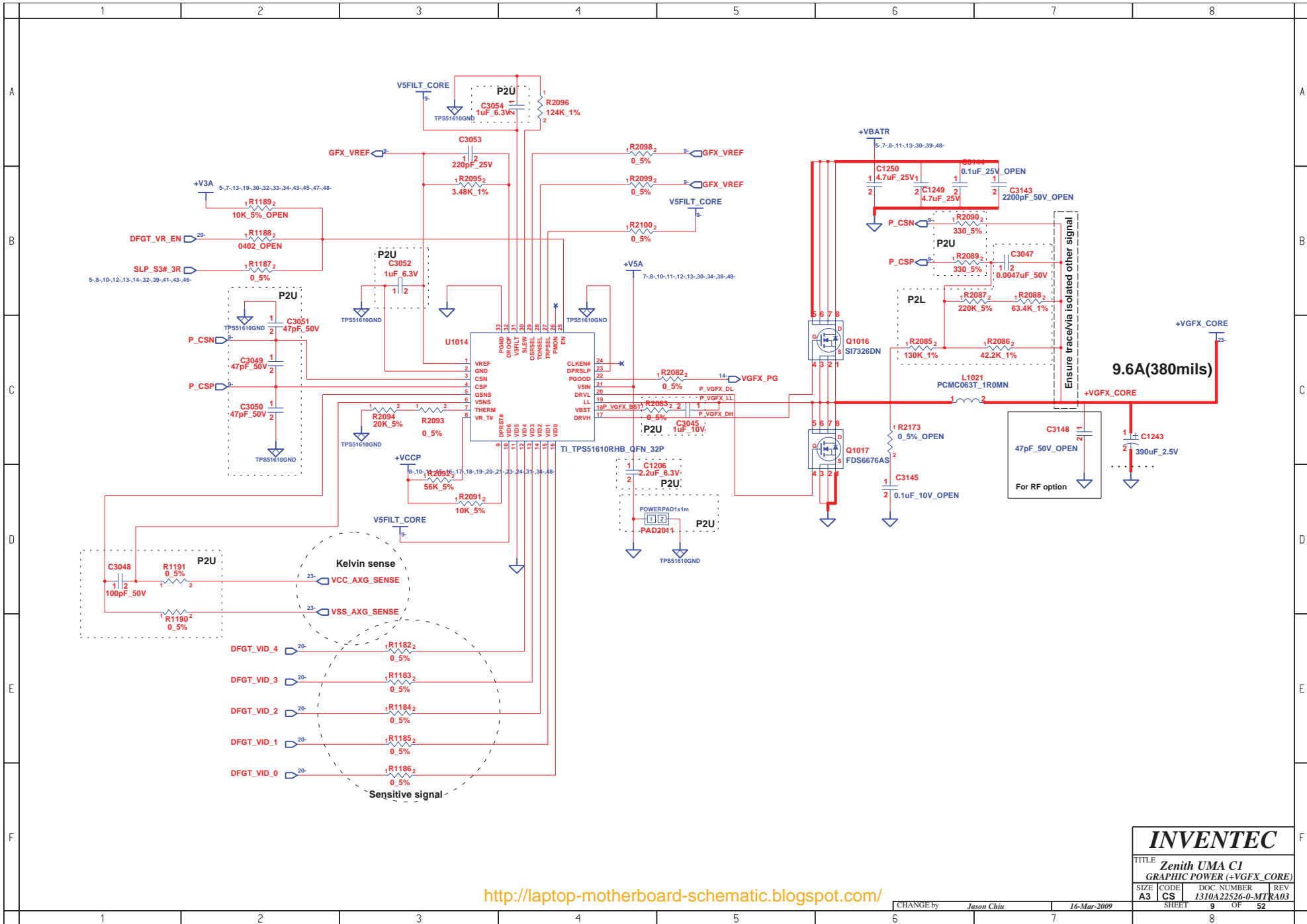


<http://laptop-motherboard-schematic.blogspot.com/>

INVENTEC

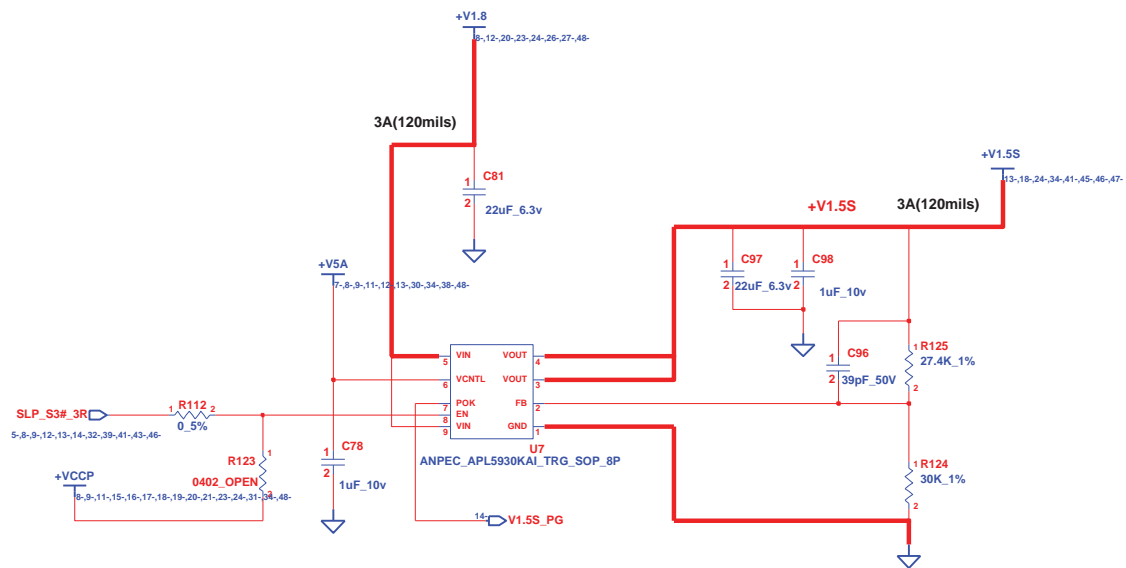
TITLE
Zenith UMA C1
 SYSTEM POWER(+V1.8/+V1.25S)

SIZE A3	CODE CS	DOC NUMBER 1310A22526-0-MTR	REV A03
------------	------------	--------------------------------	------------



<http://laptop-motherboard-schematic.blogspot.com/>

INVENTEC			
TITLE Zenith UMA C1 GRAPHIC POWER (+VGFX_CORE)			
SIZE A3	CODE CS	DOC NUMBER 1310A22526-0-MTR	REV KA03
CHANGE by <i>Jason Chiu</i>		16-Mar-2009	
SHEET 9		OF 52	



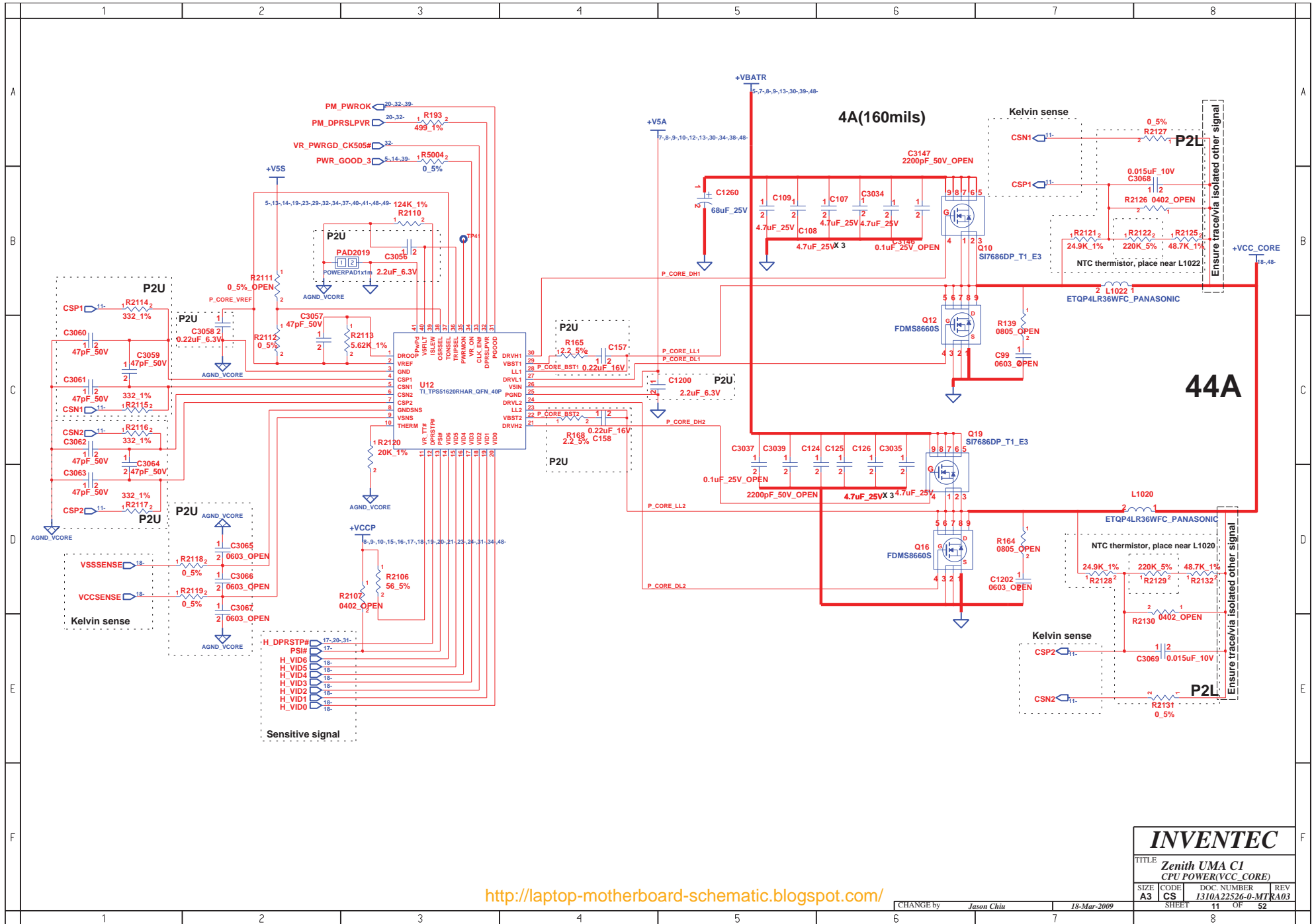
<http://laptop-motherboard-schematic.blogspot.com/>

INVENTEC			
TITLE Zenith UMA CI SYSTEM POWER(+VCCP/+V1.5S)			
SIZE A3	CODE CS	DOC. NUMBER 1310A22526-0-MTR	REV KA03
CHANGE by <i>Jason Chiu</i>		DATE <i>16-Mar-2009</i>	
SHEET 10		OF 52	

CHANGE by *Jason Chiu*

DATE *16-Mar-2009*

SHEET **10** OF **52**

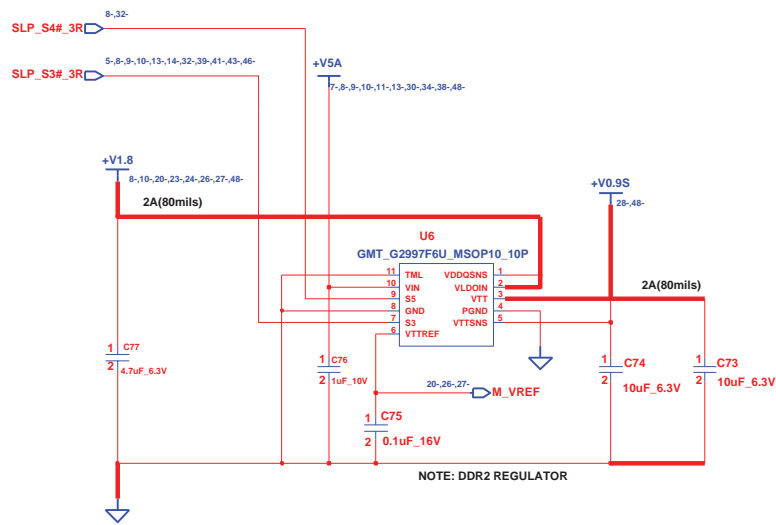


<http://laptop-motherboard-schematic.blogspot.com/>

INVENTEC

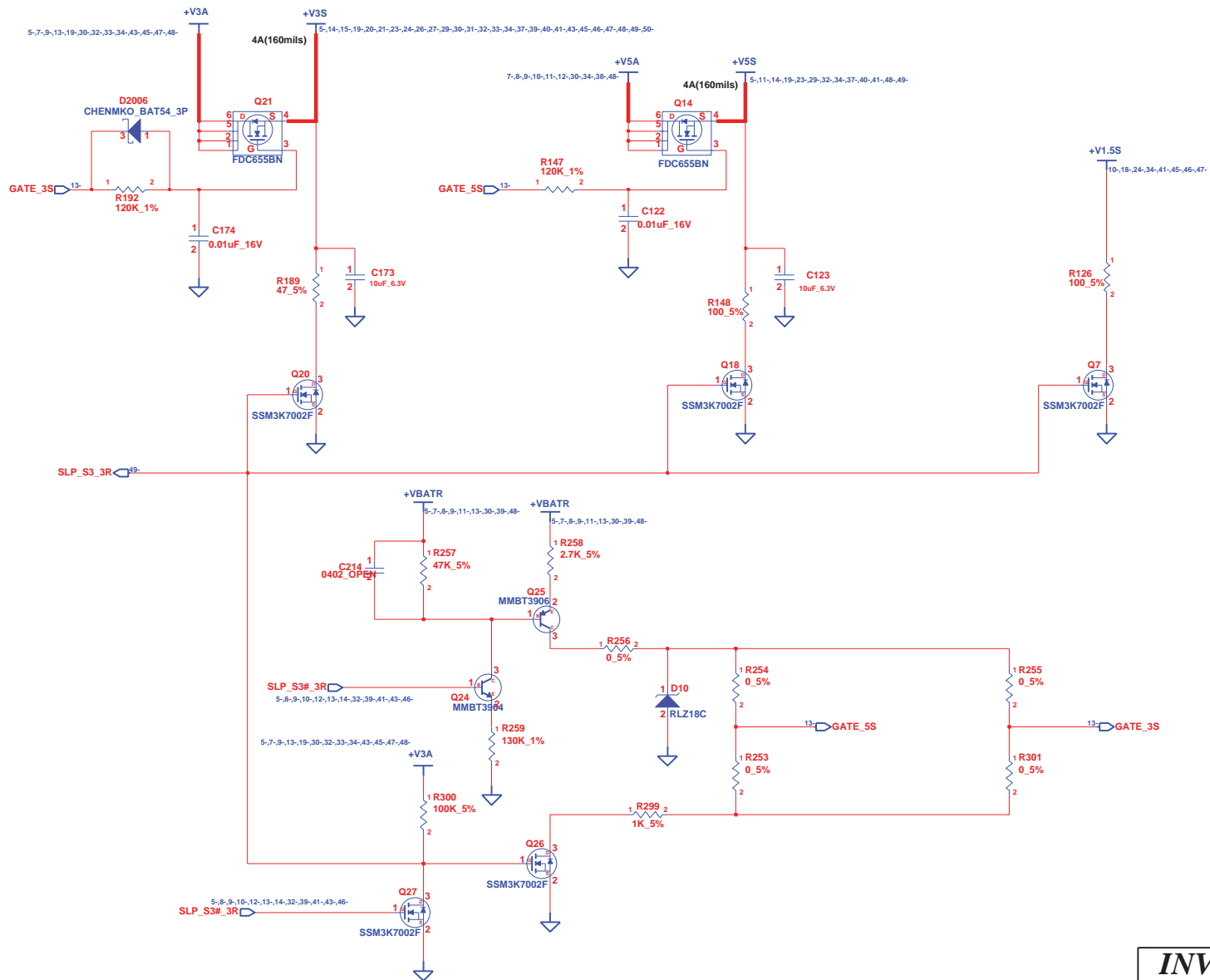
TITLE
Zenith UMA C1
CPU POWER(VCC_CORE)

SIZE	CODE	DOC NUMBER	REV
A3	CS	1310A22526-0-MTR	RA03



<http://laptop-motherboard-schematic.blogspot.com/>

INVENTEC			
TITLE Zenith UMA C1 DDR TERMINATION VOLTAGE			
SIZE A3	CODE CS	DOC. NUMBER 1310A22526-0-MTR	REV RA03
CHANGE by <i>Jason Chiu</i>		16-Mar-2009	
SHEET 12		OF 52	

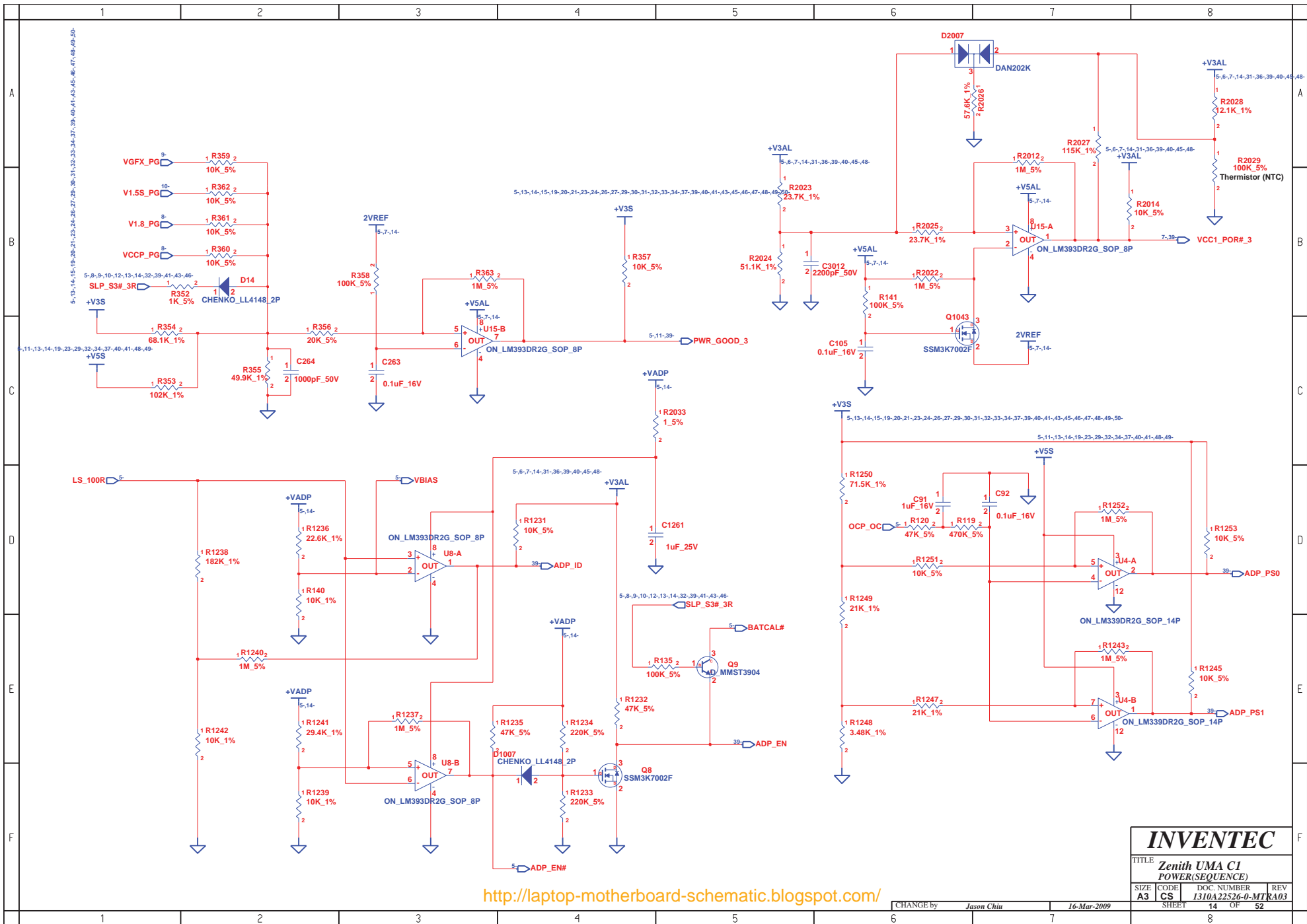


<http://laptop-motherboard-schematic.blogspot.com/>

INVENTEC

TITLE			
Zenith UMA C1			
POWER(SLEEP)			
SIZE	CODE	DOC. NUMBER	REV
A3	CS	1310A22526-0-MTR	A03
CHANGE by		SHEET	
Jason Chiu		13 OF 52	

16-Mar-2009

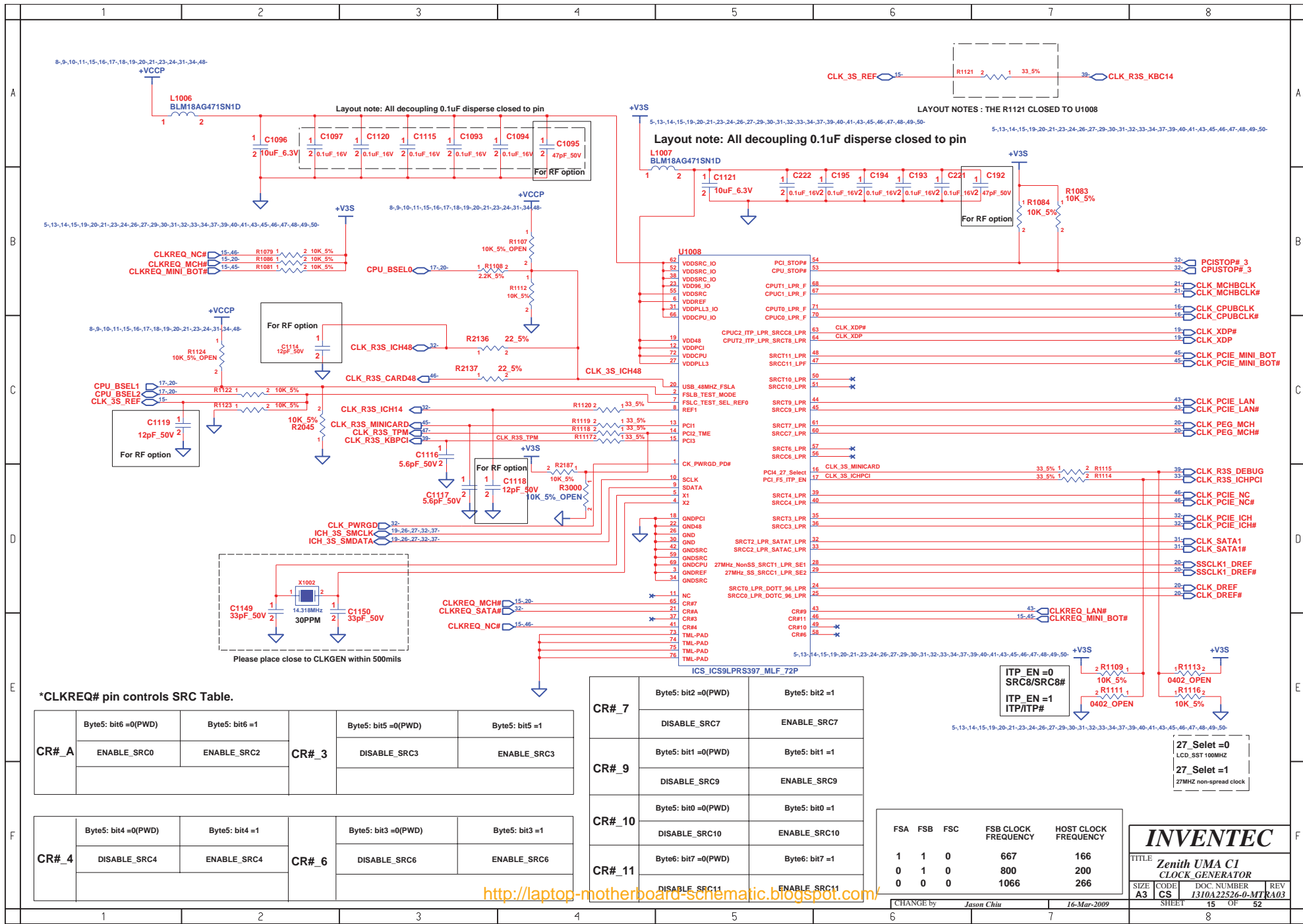


INVENTEC

TITLE
**Zenith UMA C1
 POWER(SEQUENCE)**

SIZE A3	CODE CS	DOC NUMBER I310A22526-0-MTR A03	REV
------------	------------	------------------------------------	-----

CHANGE by *Jason Chiu* 16-Mar-2009 SHEET 14 OF 52



*CLKREQ# pin controls SRC Table.

CR#_A	Byte5: bit6 =0(PWD)	Byte5: bit6 =1	CR#_3	Byte5: bit5 =0(PWD)	Byte5: bit5 =1
	ENABLE_SRC0	ENABLE_SRC2		DISABLE_SRC3	ENABLE_SRC3

CR#_4	Byte5: bit4 =0(PWD)	Byte5: bit4 =1	CR#_6	Byte5: bit3 =0(PWD)	Byte5: bit3 =1
	DISABLE_SRC4	ENABLE_SRC4		DISABLE_SRC6	ENABLE_SRC6

CR#_7	Byte5: bit2 =0(PWD)	Byte5: bit2 =1
	DISABLE_SRC7	ENABLE_SRC7
CR#_9	Byte5: bit1 =0(PWD)	Byte5: bit1 =1
	DISABLE_SRC9	ENABLE_SRC9
CR#_10	Byte5: bit0 =0(PWD)	Byte5: bit0 =1
	DISABLE_SRC10	ENABLE_SRC10
CR#_11	Byte6: bit7 =0(PWD)	Byte6: bit7 =1
	DISABLE_SRC11	ENABLE_SRC11

FSA	FSB	FSC	FSB CLOCK FREQUENCY	HOST CLOCK FREQUENCY
1	1	0	667	166
0	1	0	800	200
0	0	0	1066	266

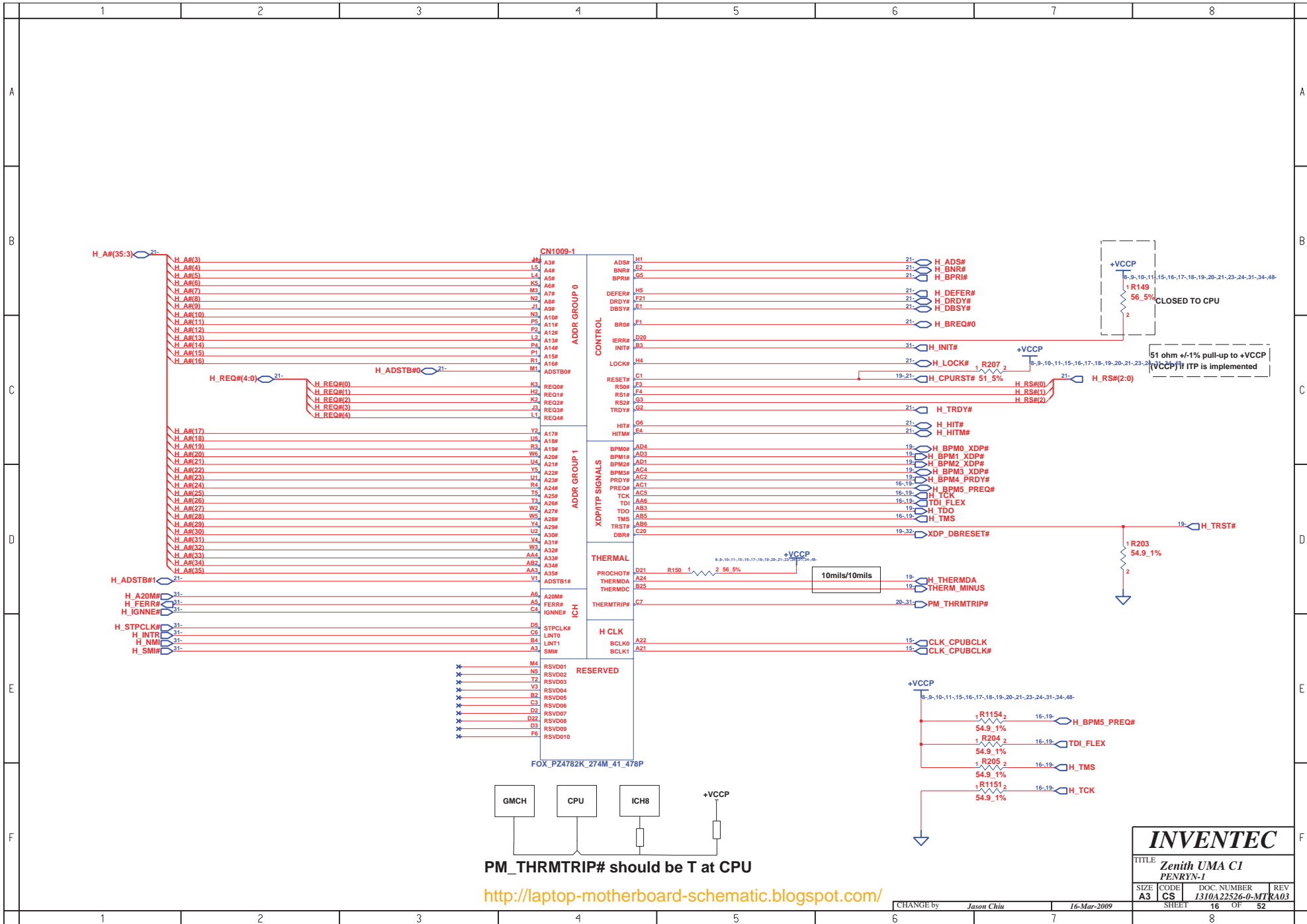
INVENTEC

TITLE: **Zenith UMA C1**
CLOCK GENERATOR

SIZE CODE DOC NUMBER REV
A3 CS 1310A22526-0-MTR **A03**

CHANGE by: *Jason Chiu* 16-Mar-2009 SHEET 15 OF 52

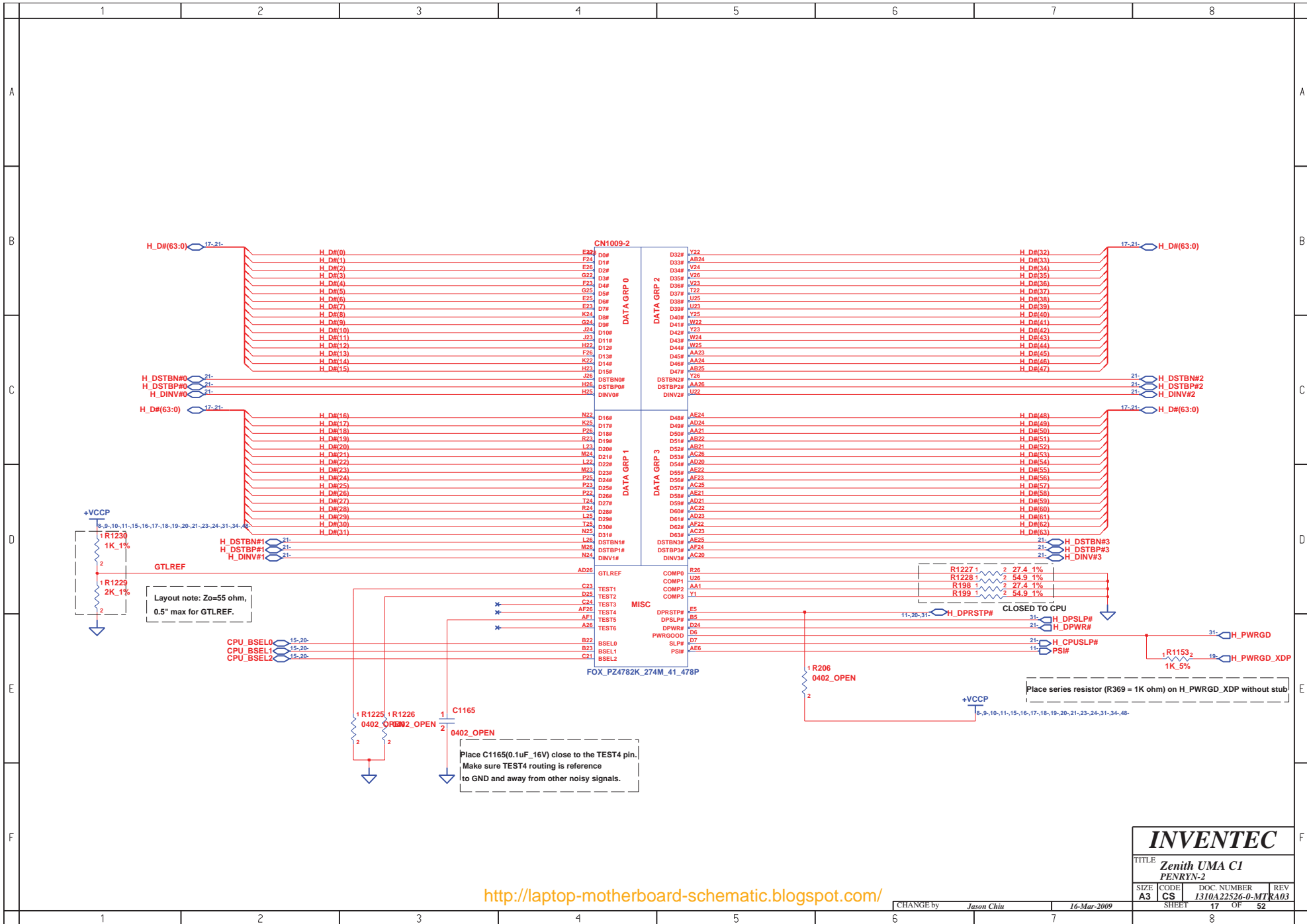
<http://laptop-motherboard-schematic.blogspot.com/>



PM_THRMTRIP# should be T at CPU

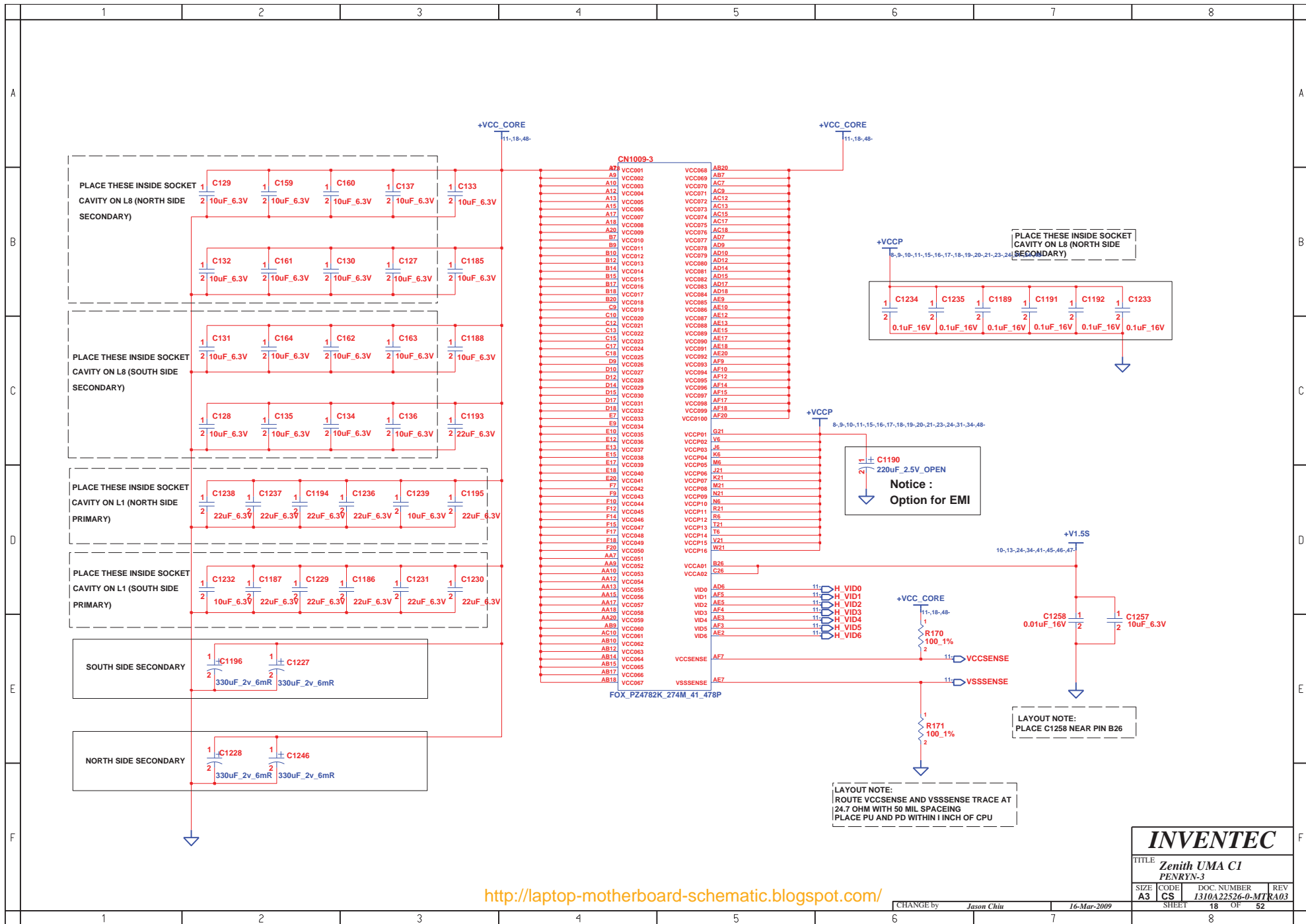
<http://laptop-motherboard-schematic.blogspot.com/>

INVENTEC			
TITLE Zenith UMA C1 PENRYN-1			
SIZE A3	CODE CS	DOC. NUMBER 1310A22526-0-MTR403	REV RA03
CHANGE by Jason Chiu		16-Mar-2009	
SHEET 16		OF 52	



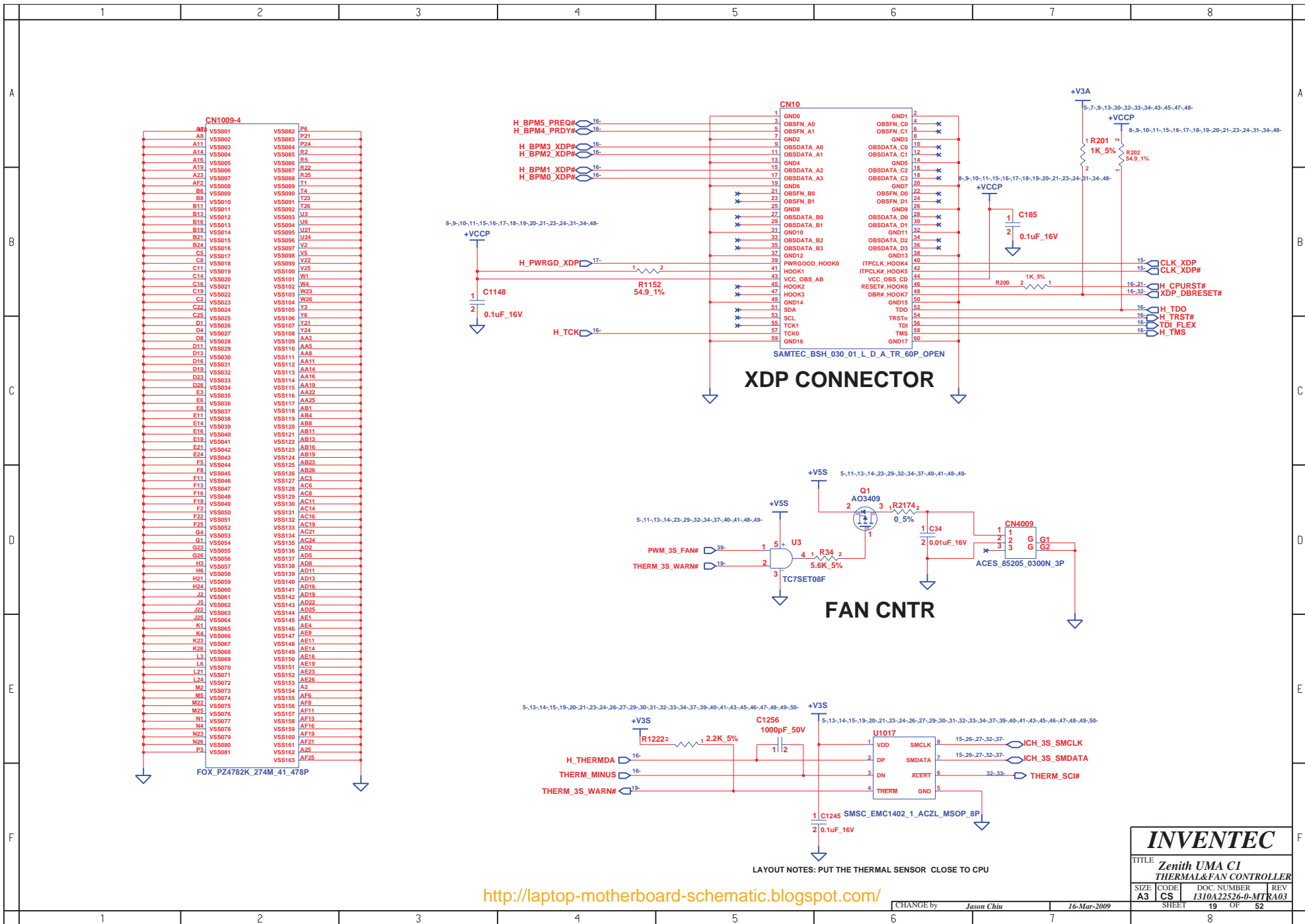
<http://laptop-motherboard-schematic.blogspot.com/>

INVENTEC			
TITLE Zenith UMA C1 PENRYN-2			
SIZE A3	CODE CS	DOC. NUMBER 1310A22526-0-MTR	REV A03
CHANGE by <i>Jason Chiu</i>		16-Mar-2009	
SHEET 17		OF 52	



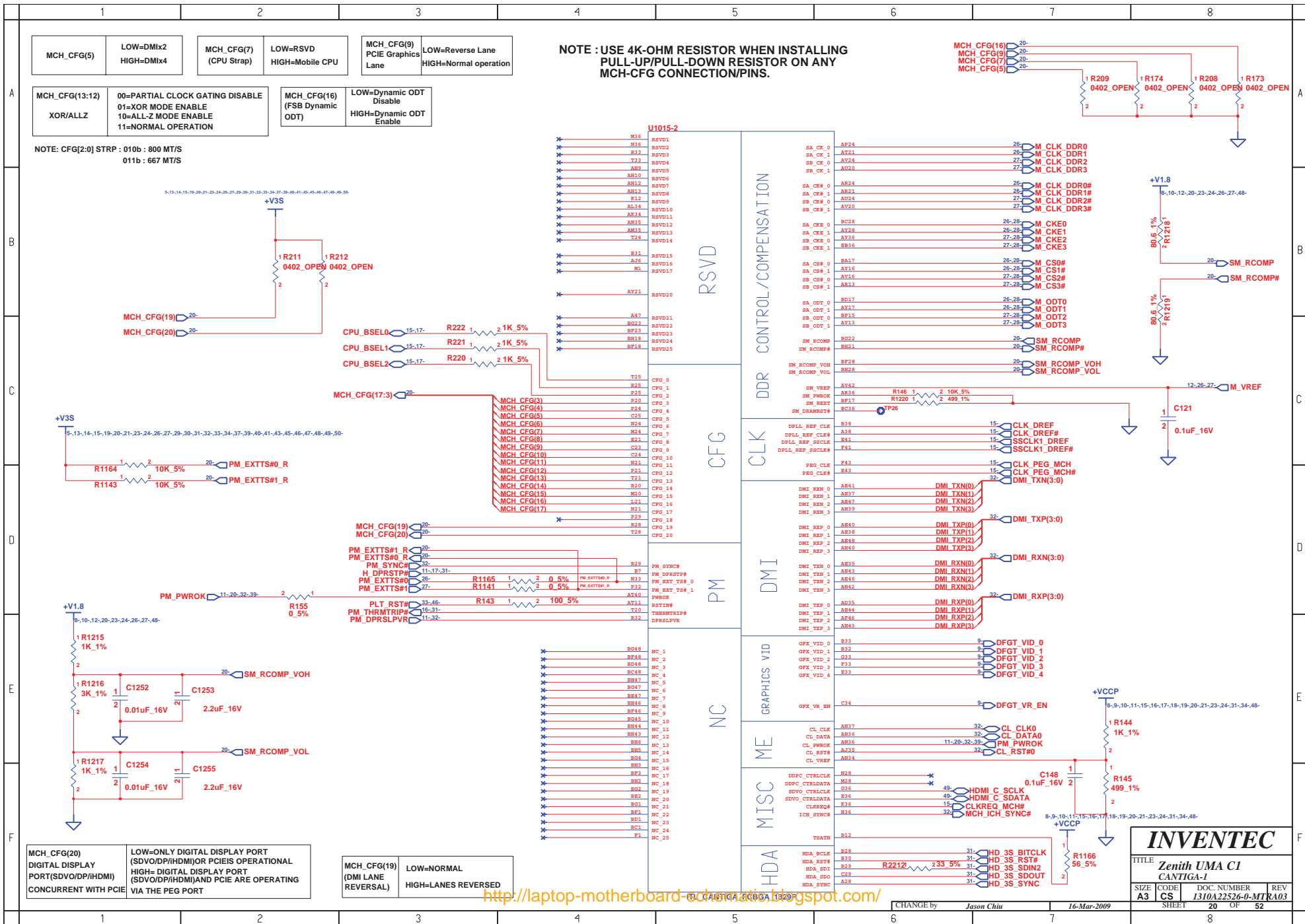
<http://laptop-motherboard-schematic.blogspot.com/>

INVENTEC			
TITLE Zenith UMA C1 PENRYN-3			
SIZE A3	CODE CS	DOC. NUMBER 1310A22526-0-MTR	REV A03
CHANGE by <i>Jason Chiu</i>		16-Mar-2009	
SHEET		OF	
18		52	

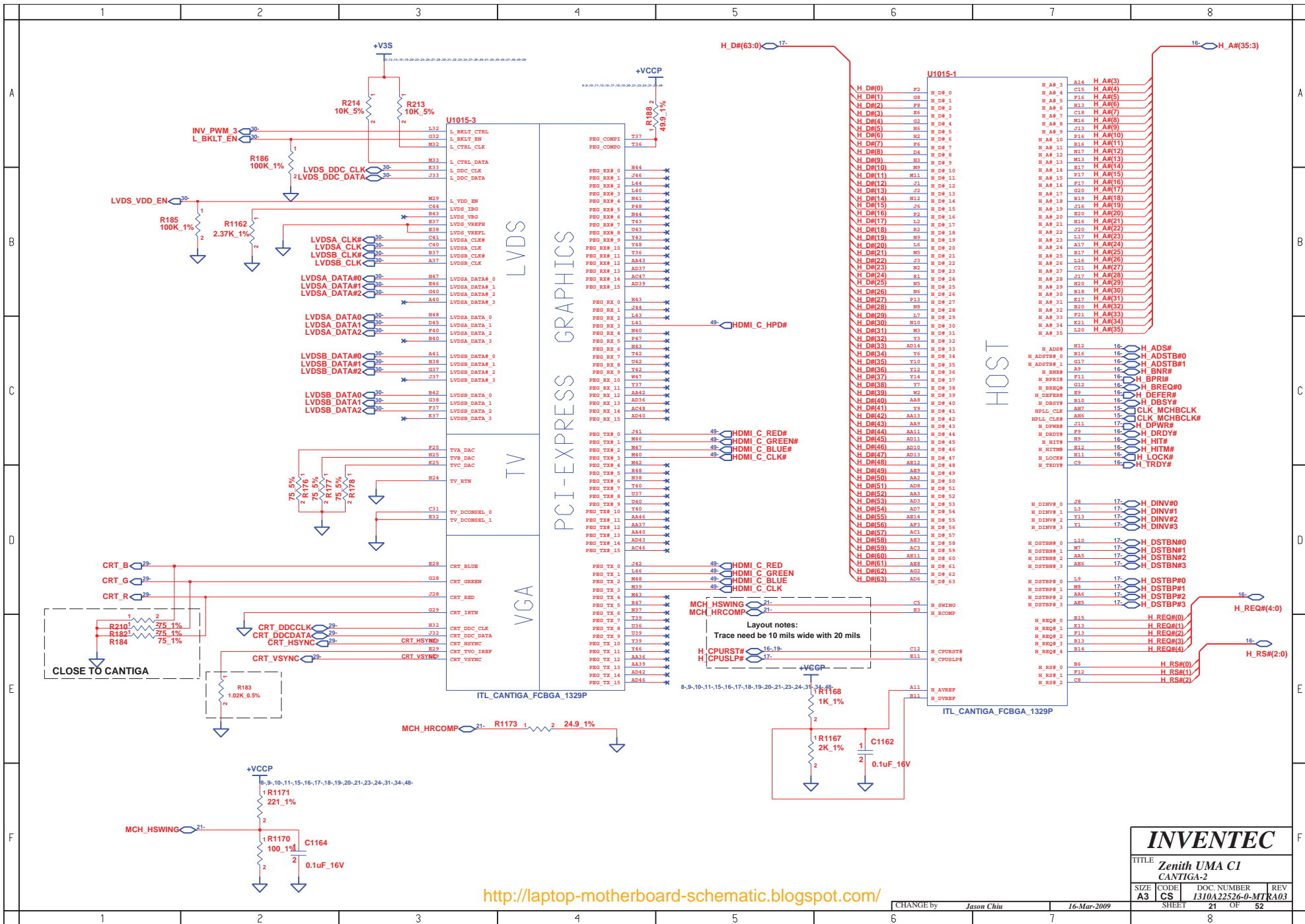


<http://laptop-motherboard-schematic.blogspot.com/>

INVENTEC			
TITLE: Zenith UMA C1 THERMAL&FAN CONTROLLER			
SIZE: A3	CODE: CS	DOC NUMBER: 1310A22526-0-MTR	REV: A03
CHANGE by: <i>Jason Chiu</i>		16-Mar-2009	
SHEET: 19		OF: 52	

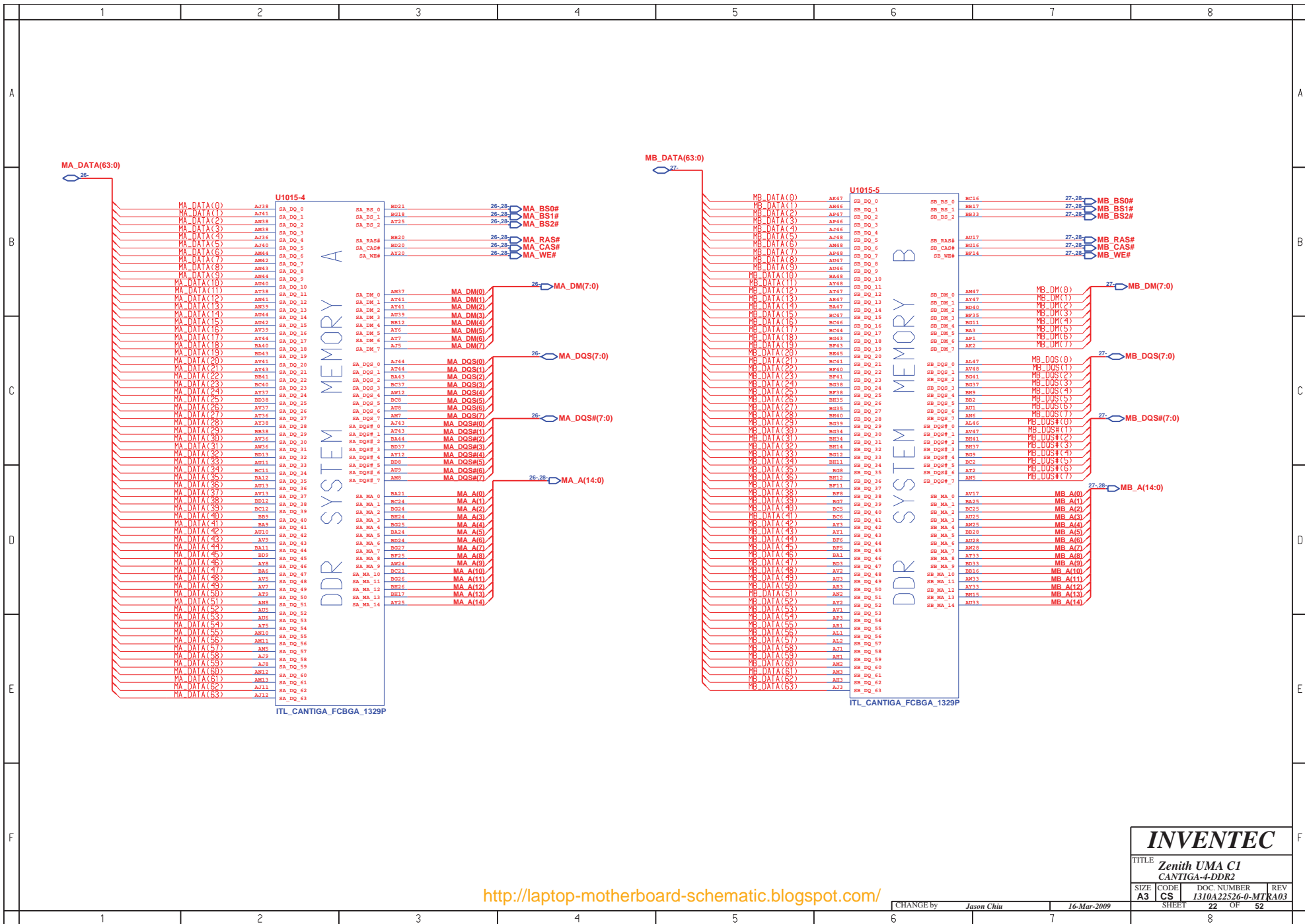


<http://laptop-motherboard-schematic.blogspot.com/>



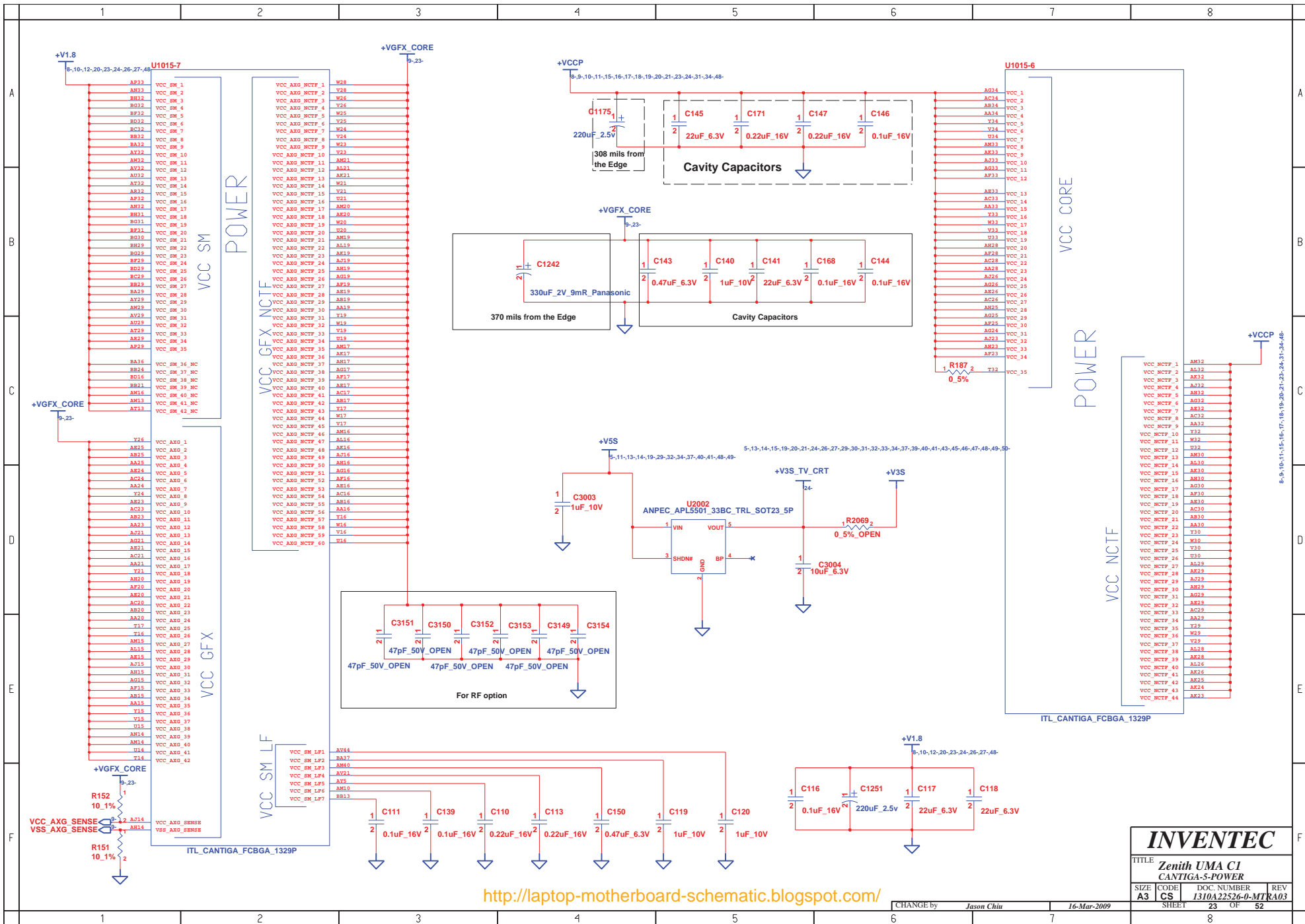
<http://laptop-motherboard-schematic.blogspot.com/>

INVENTEC			
TITLE Zenith UMA C1 CANTIGA-2			
SIZE A3	CODE CS	DOC. NUMBER 1310A22526-0-MT	REV RA03
CHANGE by <i>Jason Chiu</i>		DATE 16-Mar-2009	SHEET 21 OF 52



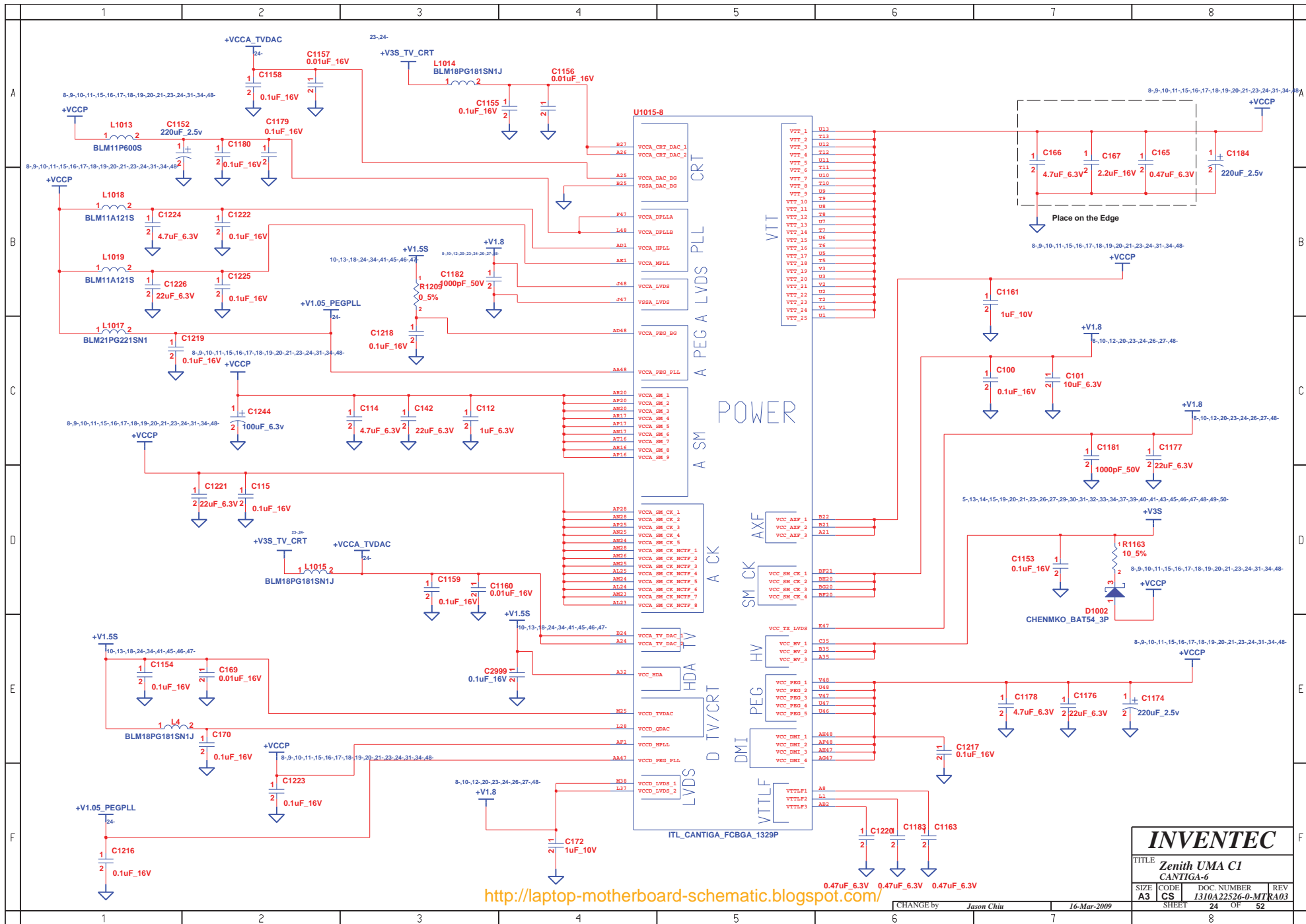
<http://laptop-motherboard-schematic.blogspot.com/>

INVENTEC			
TITLE Zenith UMA C1 CANTIGA-4-DDR2			
SIZE A3	CODE CS	DOC. NUMBER 1310A22526-0-MTR	REV RA03
CHANGE by <i>Jason Chiu</i>		16-Mar-2009	
SHEET 22		OF 52	



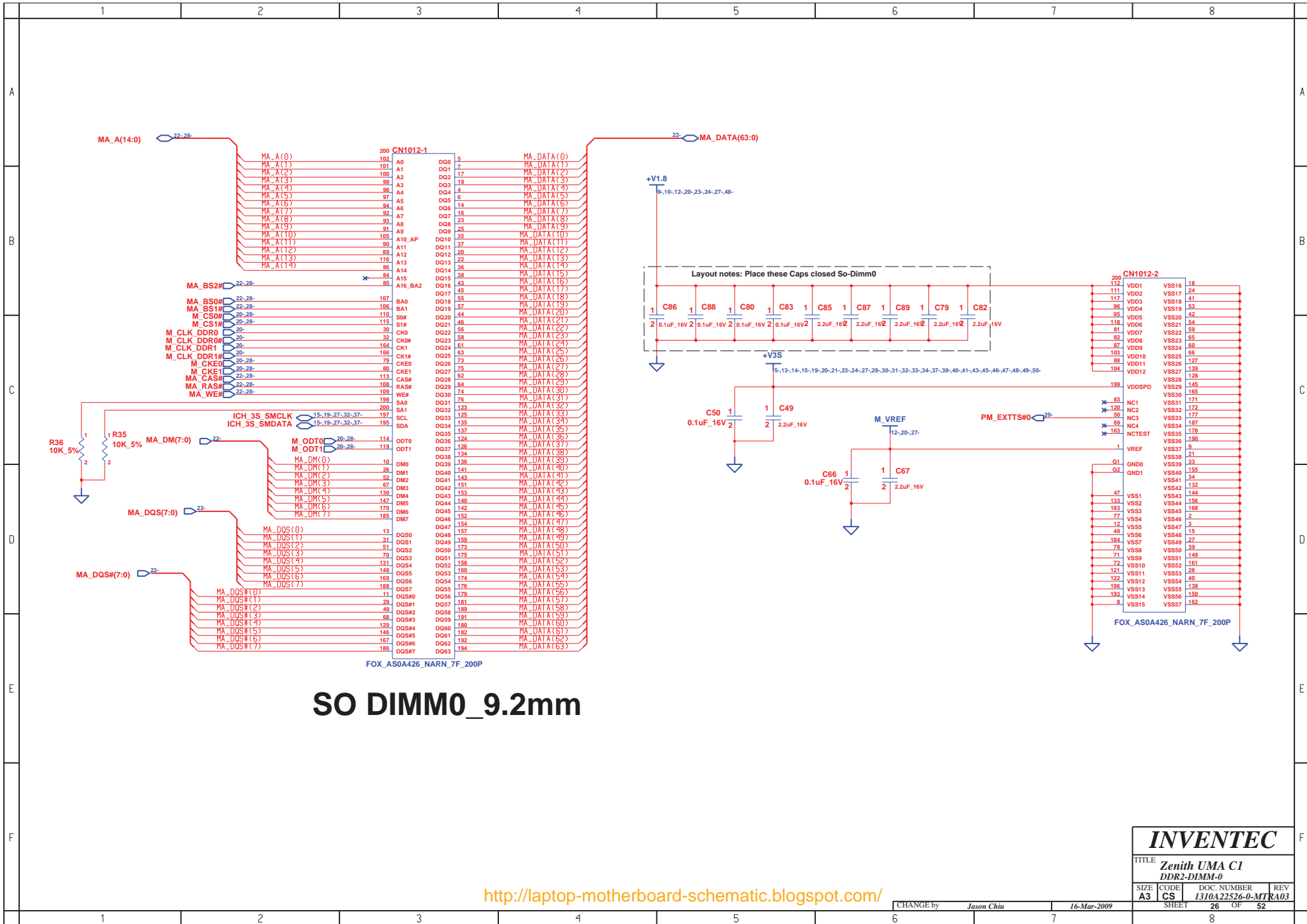
<http://laptop-motherboard-schematic.blogspot.com/>

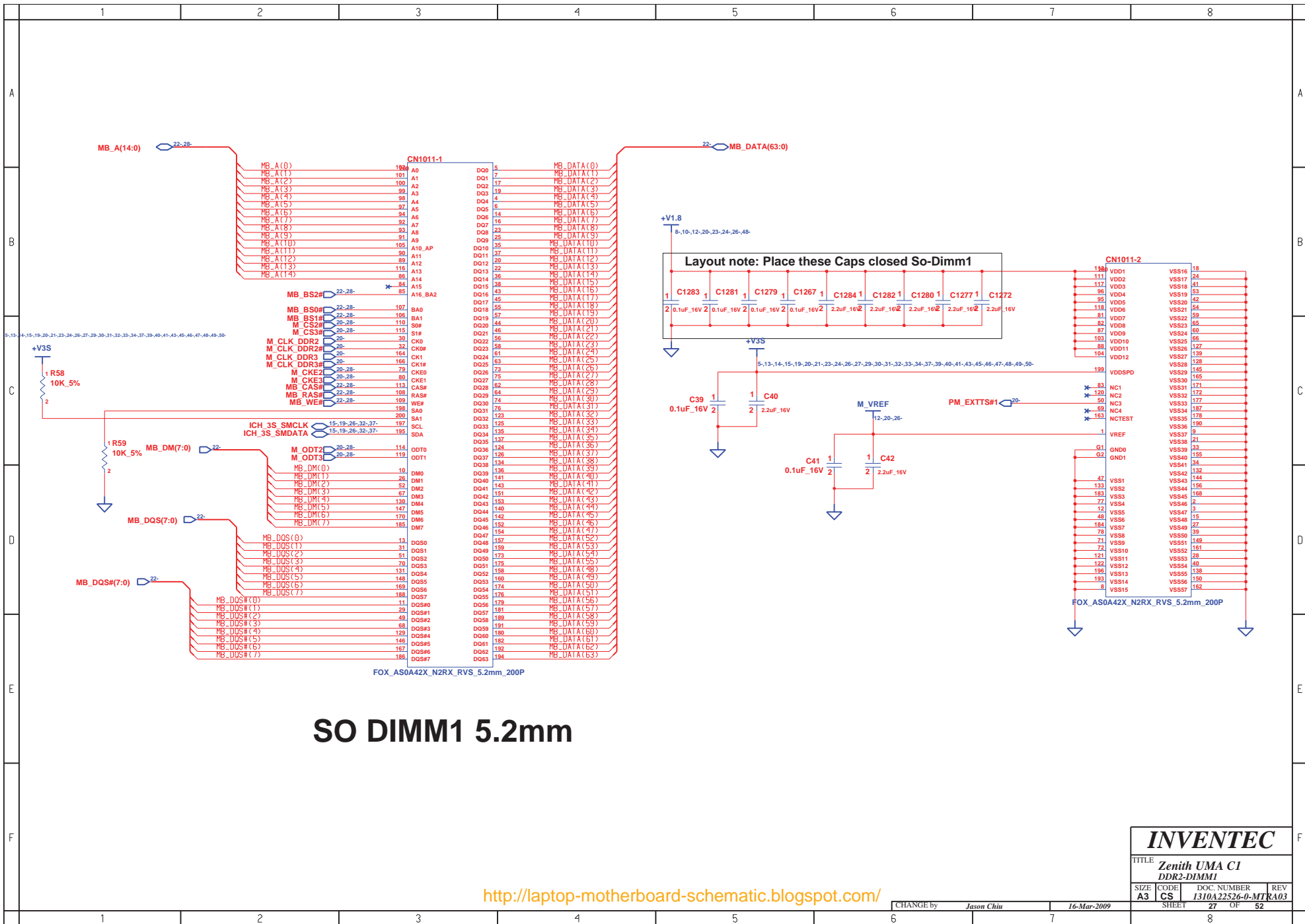
INVENTEC			
TITLE Zenith UMA C1 CANTIGA-5-POWER			
SIZE A3	CODE CS	DOC NUMBER 1310A22526-0-MT	REV RA03
CHANGE by <i>Jason Chiu</i>		16-Mar-2009	
SHEET 23		OF 52	



<http://laptop-motherboard-schematic.blogspot.com/>

INVENTEC			
TITLE Zenith UMA C1 CANTIGA-6			
SIZE A3	CODE CS	DOC NUMBER 1310A22526-0-MTR	REV A03
CHANGE by <i>Jason Chiu</i>		16-Mar-2009	
SHEET 24		OF 52	

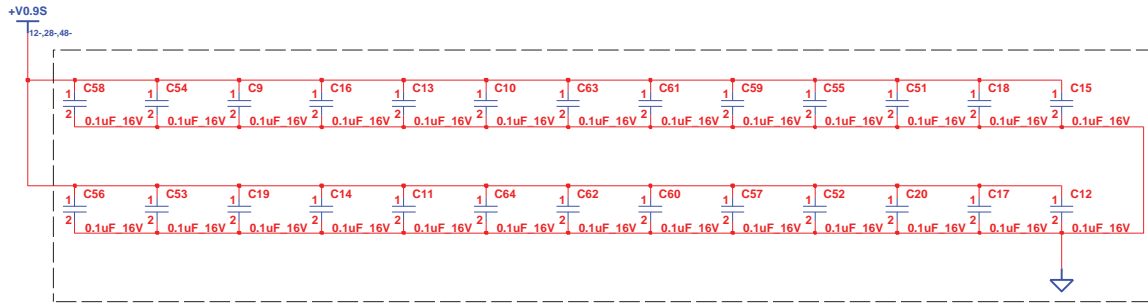




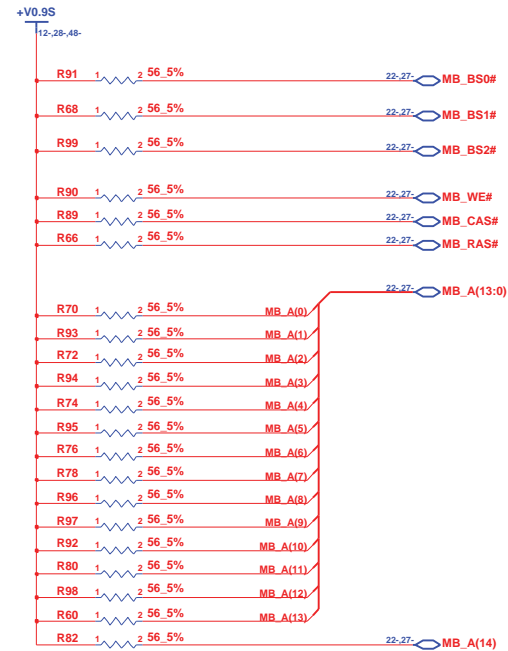
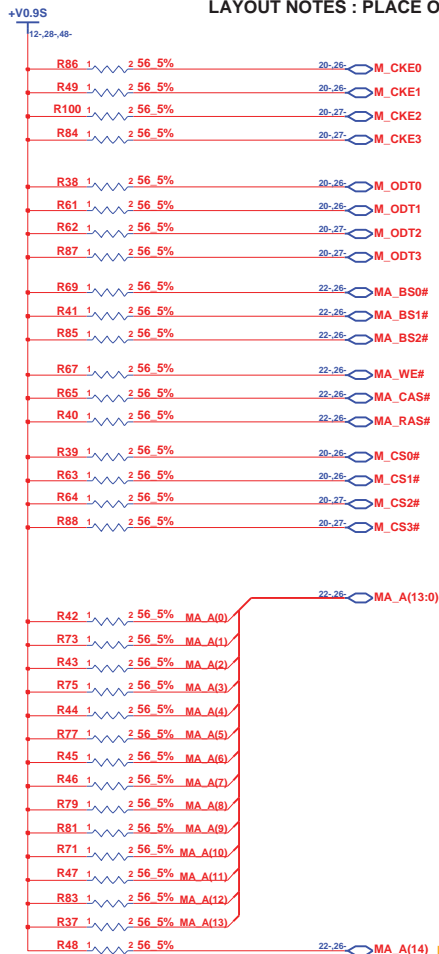
SO DIMM1 5.2mm

<http://laptop-motherboard-schematic.blogspot.com/>

INVENTEC			
TITLE Zenith UMA C1 DDR2-DIMM1			
SIZE A3	CODE CS	DOC. NUMBER 1310A22526-0-MTR	REV RA03
CHANGE by <i>Jason Chiu</i>		16-Mar-2009	
SHEET 27		OF 52	

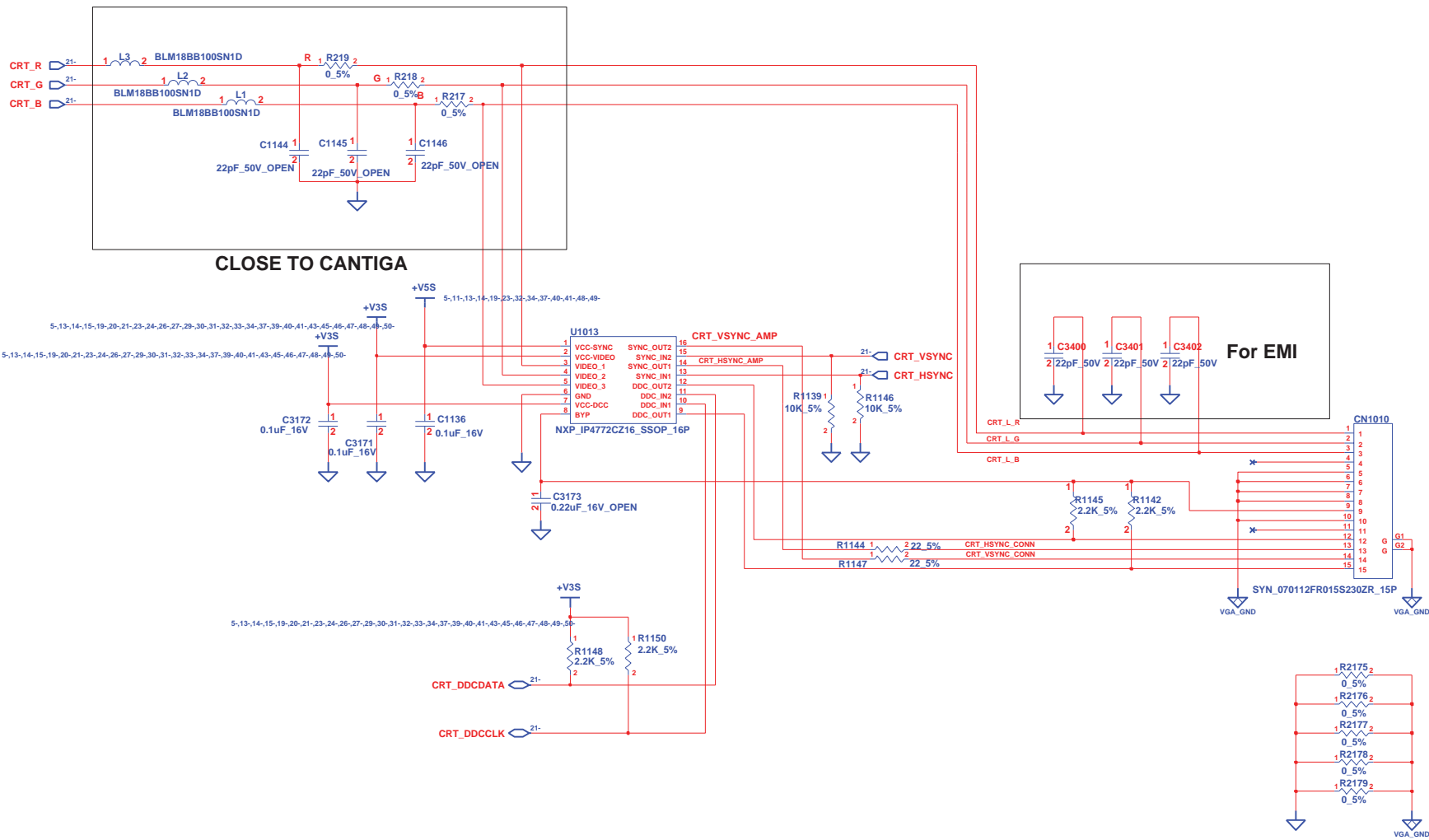


LAYOUT NOTES : PLACE ONE CAP CLOSE TO EVERY 2 PULL UP RESISTOR TERMINATED TO +V0.9S



<http://laptop-motherboard-schematic.blogspot.com/>

INVENTEC			
TITLE Zenith UMA C1 DDR2-DAMPING			
SIZE A3	CODE CS	DOC NUMBER I310A22526-0-MTR	REV A03
CHANGE by <i>Jason Chiu</i>		DATE 27-Sep-2003	SHEET 28 OF 52

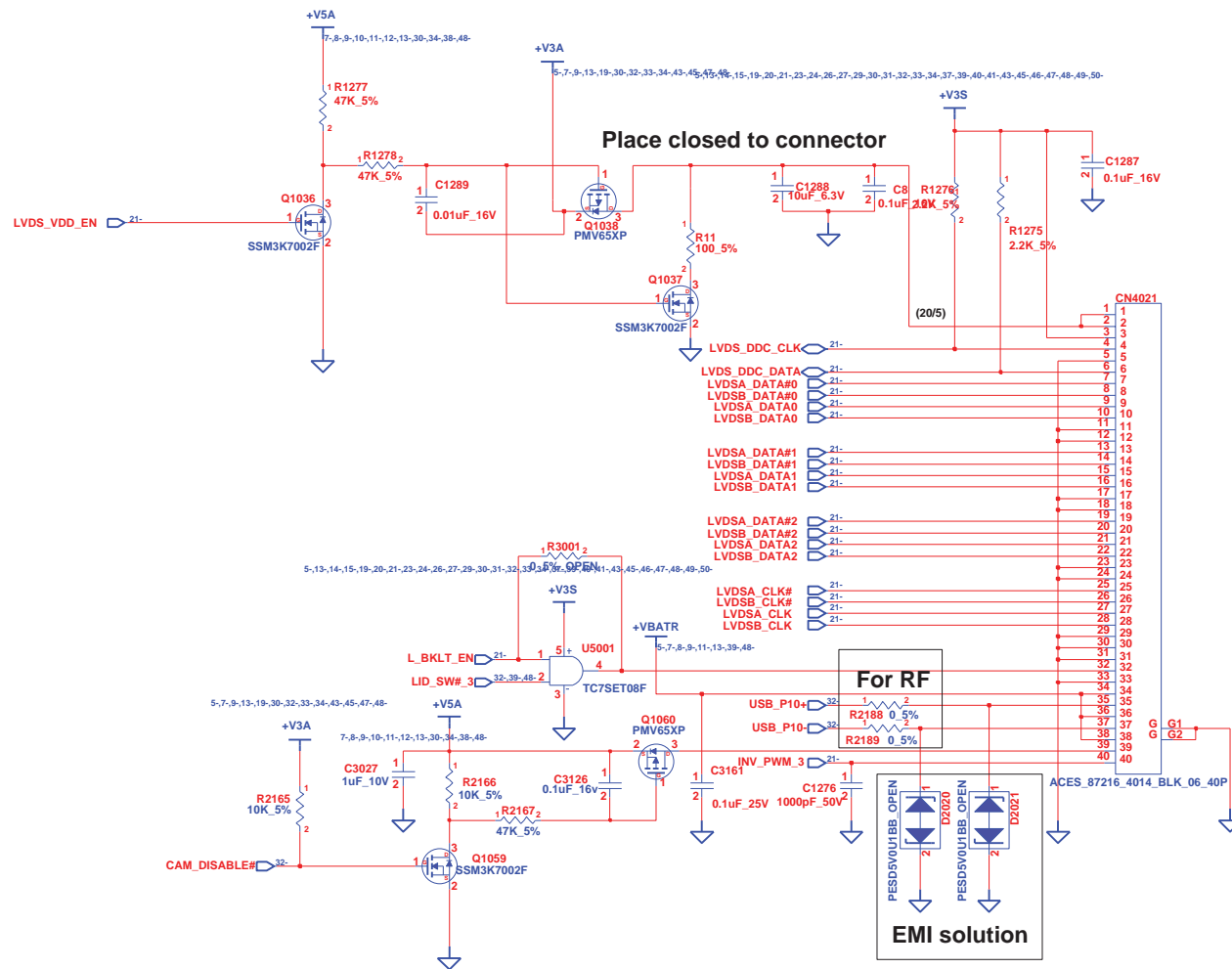


CLOSE TO CANTIGA

For EMI

INVENTEC			
TITLE Zenith UMA C1 VGA CONN			
SIZE A3	CODE CS	DOC. NUMBER 1310A22526-0-MTR	REV A03
CHANGE by <i>Jason Chiu</i>		16-Mar-2009	
SHEET 29		OF 52	

<http://laptop-motherboard-schematic.blogspot.com/>

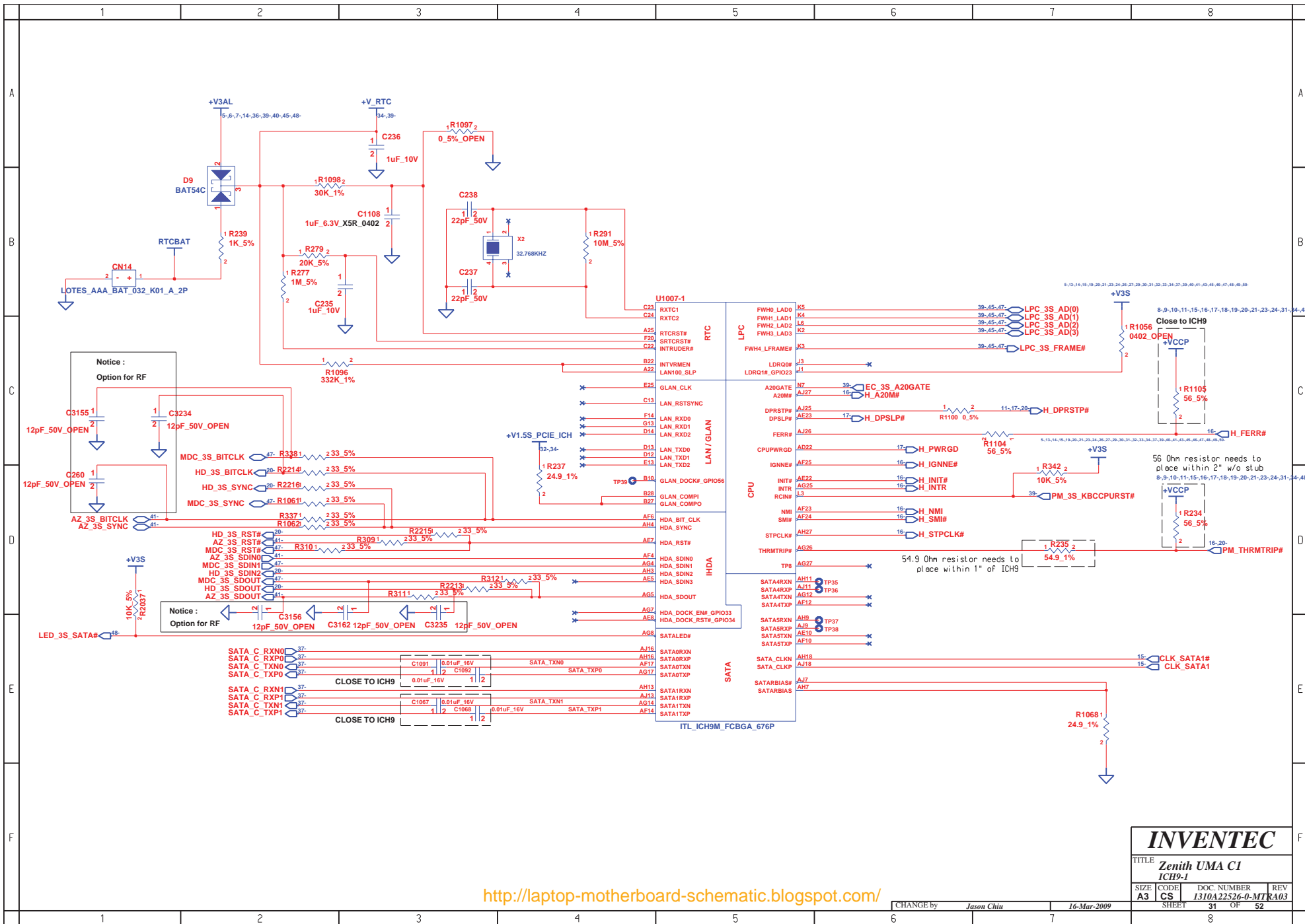


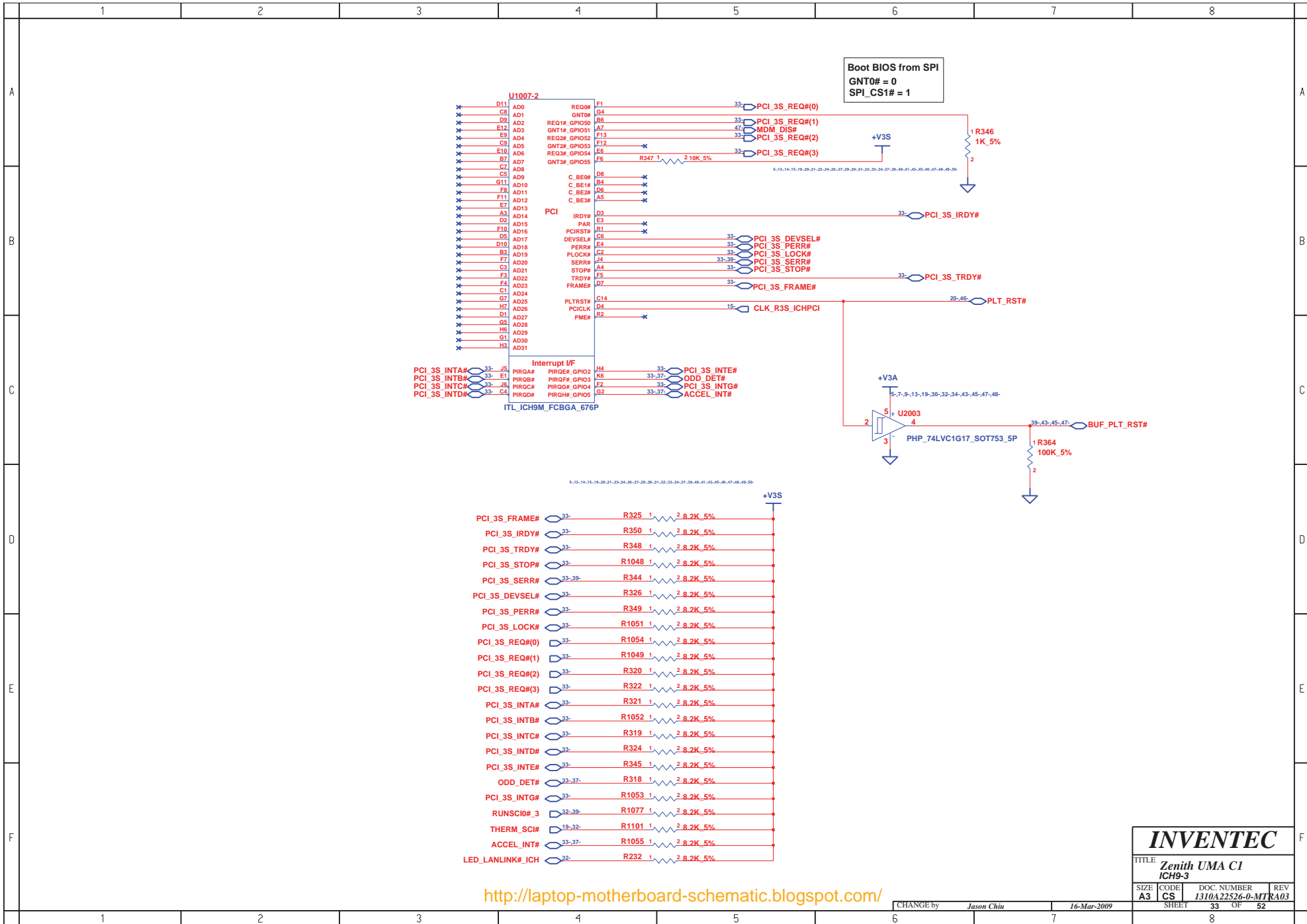
<http://laptop-motherboard-schematic.blogspot.com/>

INVENTEC

TITLE
Zenith UMA C1
 LCM CONN

SIZE A3	CODE CS	DOC. NUMBER 1310A22526-0-MTR	REV A03
------------	------------	---------------------------------	------------

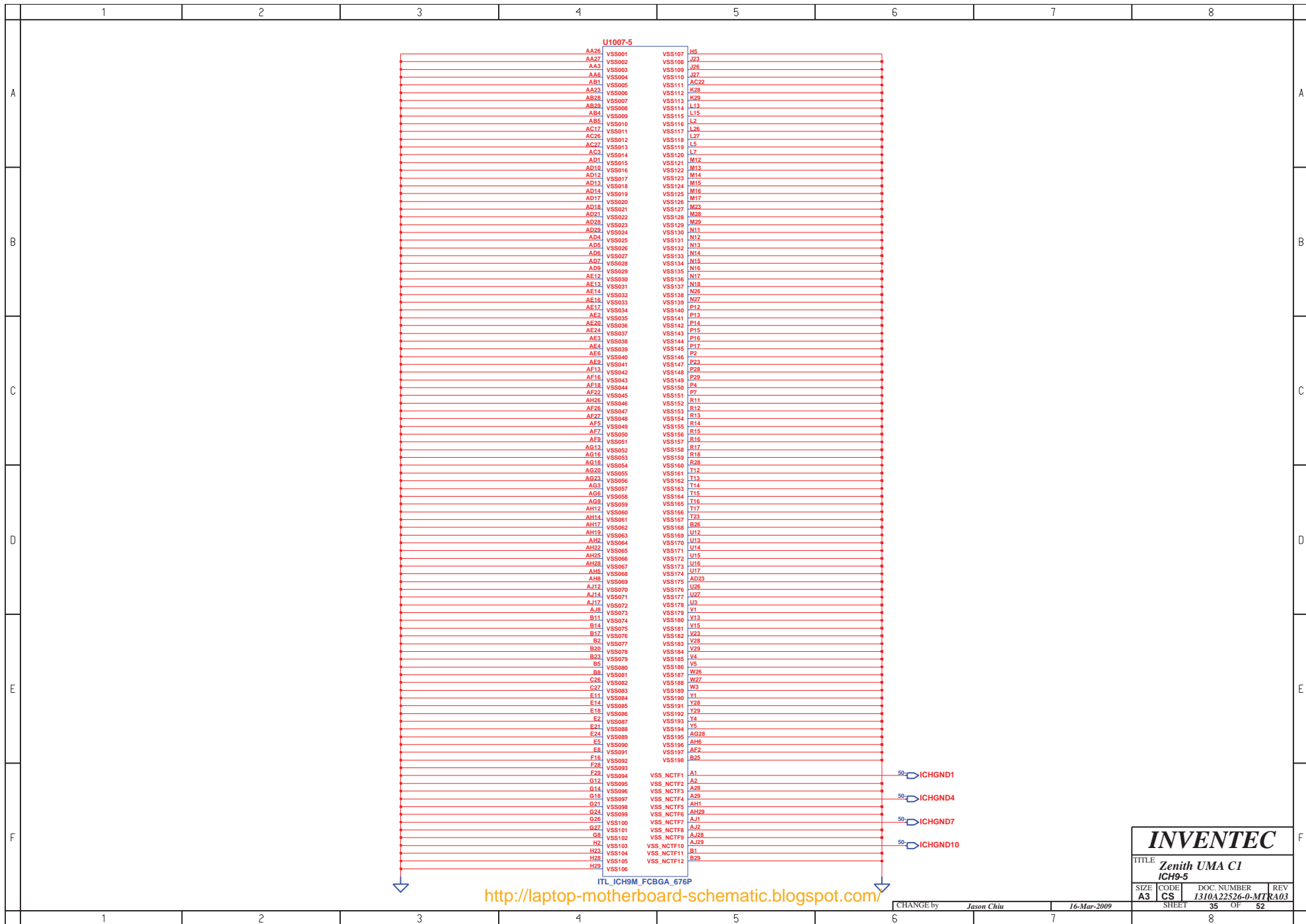




<http://laptop-motherboard-schematic.blogspot.com/>

INVENTEC

TITLE Zenith UMA C1 ICH9-3			
SIZE A3	CODE CS	DOC. NUMBER 1310A22526-0-MTR	REV A03
CHANGE by <i>Jason Chiu</i>		16-Mar-2009	
SHEET 33		OF 52	



U1007-5

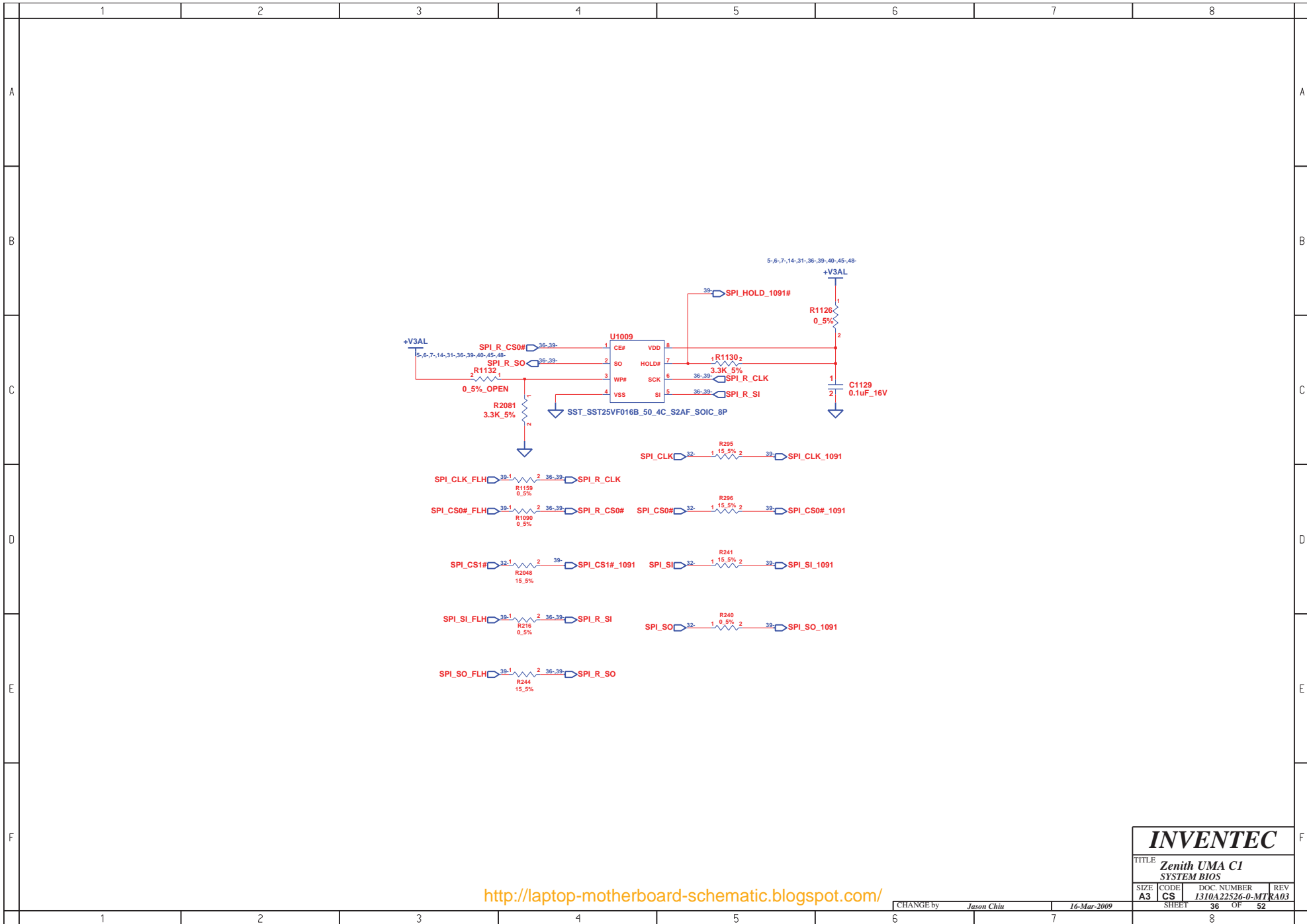
AA28	VSS001	VSS107	H5
AA27	VSS002	VSS108	J23
AA3	VSS003	VSS109	J26
AA6	VSS004	VSS110	J27
AB1	VSS005	VSS111	AC22
AA23	VSS006	VSS112	K28
AB28	VSS007	VSS113	K29
AB25	VSS008	VSS114	L13
AB4	VSS009	VSS115	L15
AB5	VSS010	VSS116	L2
AC17	VSS011	VSS117	L26
AC26	VSS012	VSS118	L27
AC27	VSS013	VSS119	L5
AC3	VSS014	VSS120	L7
AD1	VSS015	VSS121	M12
AD10	VSS016	VSS122	M13
AD12	VSS017	VSS123	M14
AD13	VSS018	VSS124	M15
AD14	VSS019	VSS125	M16
AD17	VSS020	VSS126	M17
AD18	VSS021	VSS127	M23
AD21	VSS022	VSS128	M28
AD25	VSS023	VSS129	M29
AD29	VSS024	VSS130	N11
AD4	VSS025	VSS131	N12
AD5	VSS026	VSS132	N13
AD6	VSS027	VSS133	N14
AD7	VSS028	VSS134	N15
AD9	VSS029	VSS135	N16
AE13	VSS030	VSS136	N17
AE13	VSS031	VSS137	N18
AE14	VSS032	VSS138	N26
AE16	VSS033	VSS139	N27
AE17	VSS034	VSS140	P12
AE3	VSS035	VSS141	P13
AE20	VSS036	VSS142	P14
AE24	VSS037	VSS143	P15
AE3	VSS038	VSS144	P16
AE4	VSS039	VSS145	P17
AE6	VSS040	VSS146	P2
AE9	VSS041	VSS147	P23
AF13	VSS042	VSS148	P28
AF16	VSS043	VSS149	P29
AF18	VSS044	VSS150	P4
AF22	VSS045	VSS151	P7
AH25	VSS046	VSS152	R11
AF26	VSS047	VSS153	R12
AF27	VSS048	VSS154	R13
AF3	VSS049	VSS155	R14
AF7	VSS050	VSS156	R15
AF9	VSS051	VSS157	R16
AG13	VSS052	VSS158	R17
AG16	VSS053	VSS159	R18
AG18	VSS054	VSS160	R28
AG20	VSS055	VSS161	T12
AG23	VSS056	VSS162	T13
AG3	VSS057	VSS163	T14
AG5	VSS058	VSS164	T15
AG9	VSS059	VSS165	T16
AH12	VSS060	VSS166	T17
AH14	VSS061	VSS167	T23
AH17	VSS062	VSS168	B26
AH19	VSS063	VSS169	U12
AH2	VSS064	VSS170	U13
AH22	VSS065	VSS171	U14
AH25	VSS066	VSS172	U15
AH28	VSS067	VSS173	U16
AH2	VSS068	VSS174	U17
AH5	VSS069	VSS175	AD23
AJ12	VSS070	VSS176	U26
AJ14	VSS071	VSS177	U27
AJ17	VSS072	VSS178	U3
AJ8	VSS073	VSS179	V1
B11	VSS074	VSS180	V13
B14	VSS075	VSS181	V15
B17	VSS076	VSS182	V23
B3	VSS077	VSS183	V28
B20	VSS078	VSS184	V29
B23	VSS079	VSS185	V4
B5	VSS080	VSS186	V5
BS	VSS081	VSS187	W26
C28	VSS082	VSS188	W27
C27	VSS083	VSS189	W3
E11	VSS084	VSS190	Y1
E14	VSS085	VSS191	Y28
E18	VSS086	VSS192	Y29
ER	VSS087	VSS193	Y4
E21	VSS088	VSS194	Y5
E24	VSS089	VSS195	AG28
E5	VSS090	VSS196	AH6
ER	VSS091	VSS197	AF2
F16	VSS092	VSS198	B25
F29	VSS093		
F29	VSS094	VSS_NCTF1	A1
G12	VSS095	VSS_NCTF2	A2
G14	VSS096	VSS_NCTF3	A28
G18	VSS097	VSS_NCTF4	A29
G21	VSS098	VSS_NCTF5	AH1
G24	VSS099	VSS_NCTF6	AH29
G25	VSS100	VSS_NCTF7	AJ1
G27	VSS101	VSS_NCTF8	AJ2
G8	VSS102	VSS_NCTF9	AJ28
H2	VSS103	VSS_NCTF10	AJ29
H25	VSS104	VSS_NCTF11	B1
H28	VSS105	VSS_NCTF12	B29
H28	VSS106		

ITL_ICH9M_FCBGA_676P

<http://laptop-motherboard-schematic.blogspot.com/>

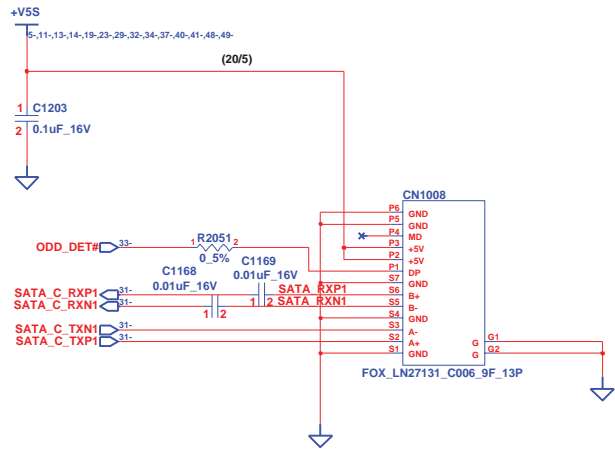
50 ICH9ND1
50 ICH9ND4
50 ICH9ND7
50 ICH9ND10

INVENTEC			
TITLE Zenith UMA C1 ICH9-5			
SIZE A3	CODE CS	DOC. NUMBER 1310A22526-0-MTR	REV RA03
CHANGE by <i>Jason Chiu</i>		16-Mar-2009	
SHEET 35		OF 52	

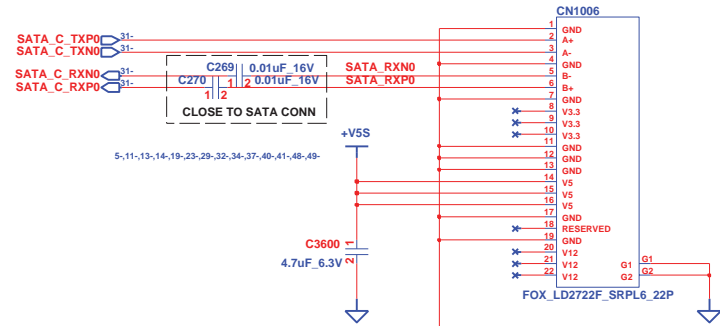


<http://laptop-motherboard-schematic.blogspot.com/>

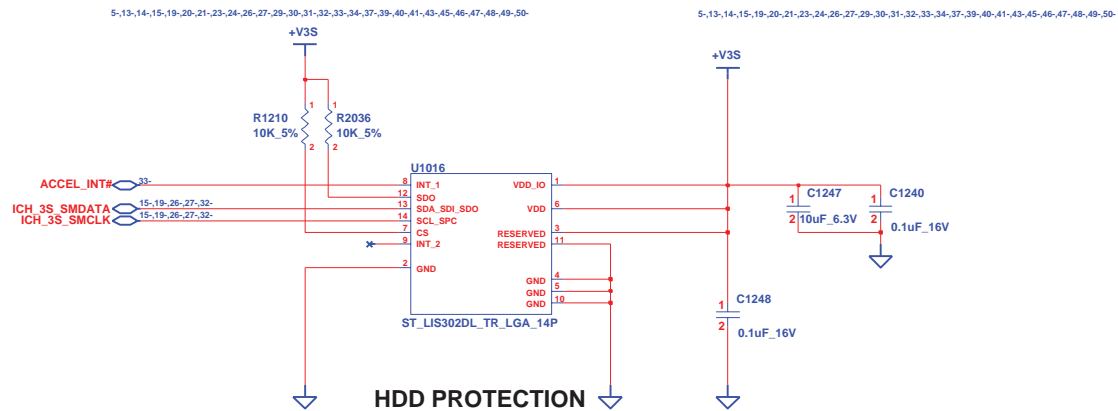
INVENTEC			
TITLE Zenith UMA C1 SYSTEM BIOS			
SIZE A3	CODE CS	DOC. NUMBER 1310A22526-0-MTR	REV RA03
CHANGE by <i>Jason Chiu</i>		16-Mar-2009	
SHEET		36 OF 52	



SATA ODD CNTR



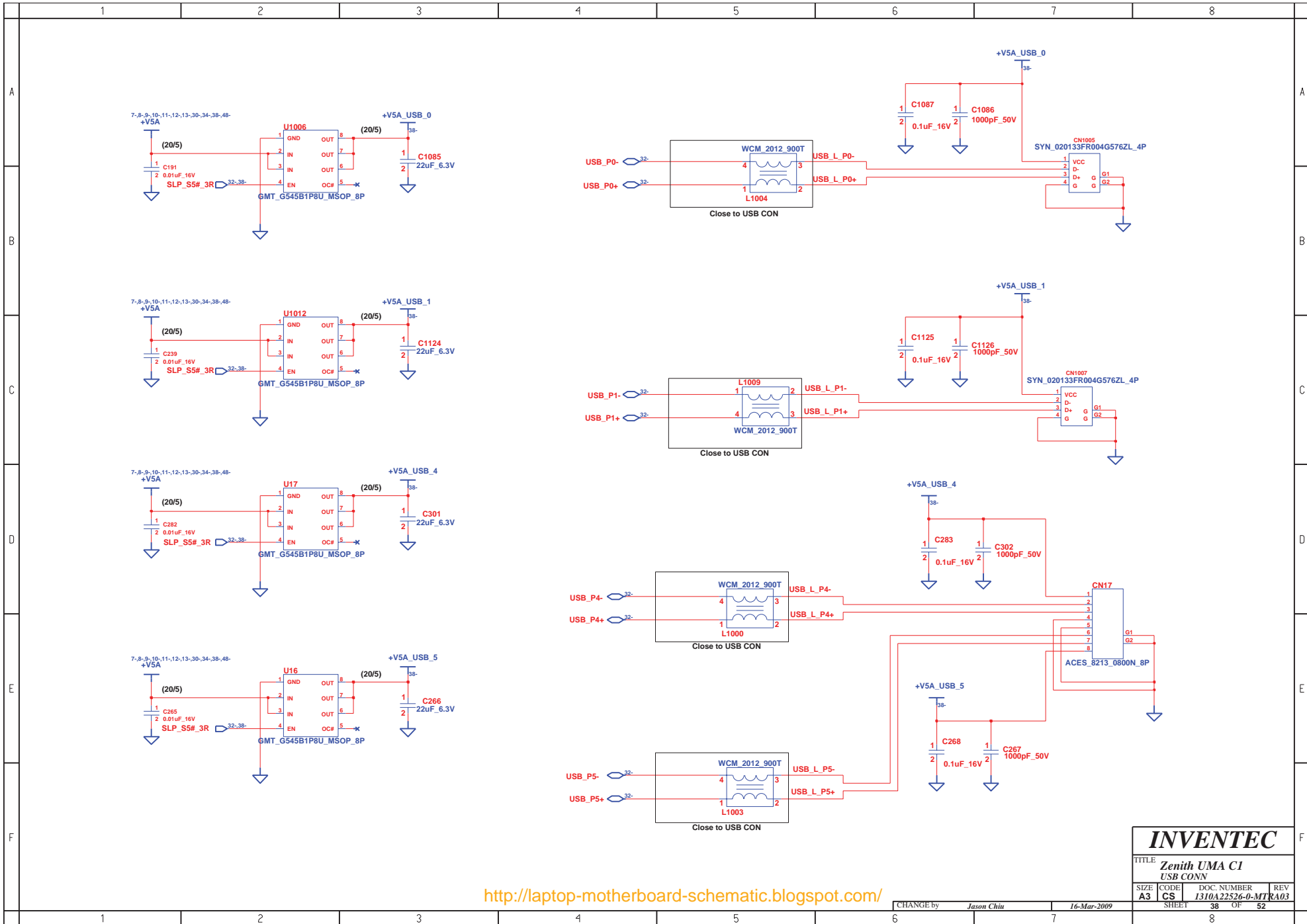
SATA HDD CNTR



HDD PROTECTION

<http://laptop-motherboard-schematic.blogspot.com/>

INVENTEC			
TITLE Zenith UMA C1 HDD & ODD CONN & HD Protec			
SIZE A3	CODE CS	DOC NUMBER 1310A22526-0-MTR	REV RA03
CHANGE by <i>Jason Chiu</i>		16-Mar-2009	
SHEET 37		OF 52	

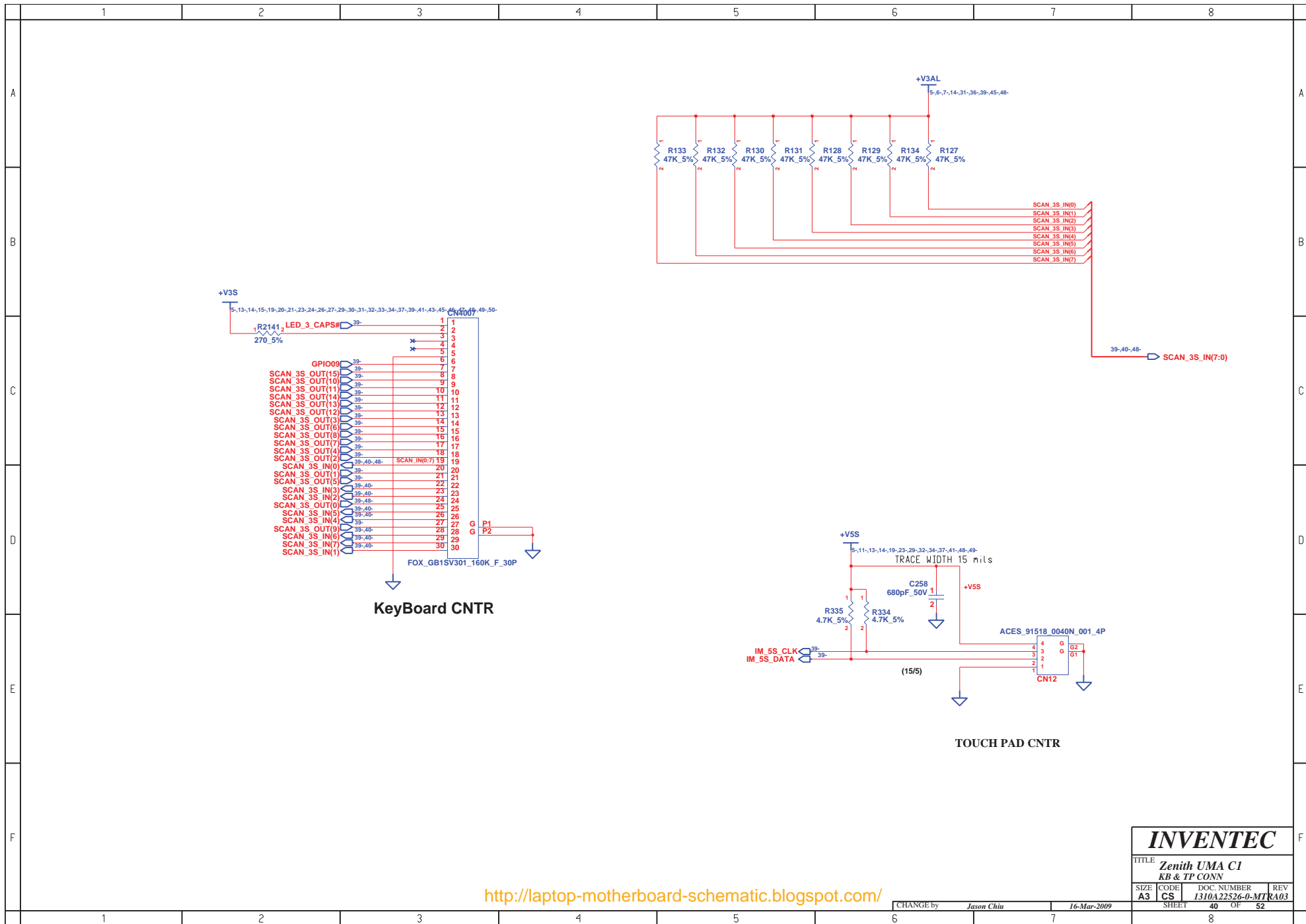


<http://laptop-motherboard-schematic.blogspot.com/>

INVENTEC

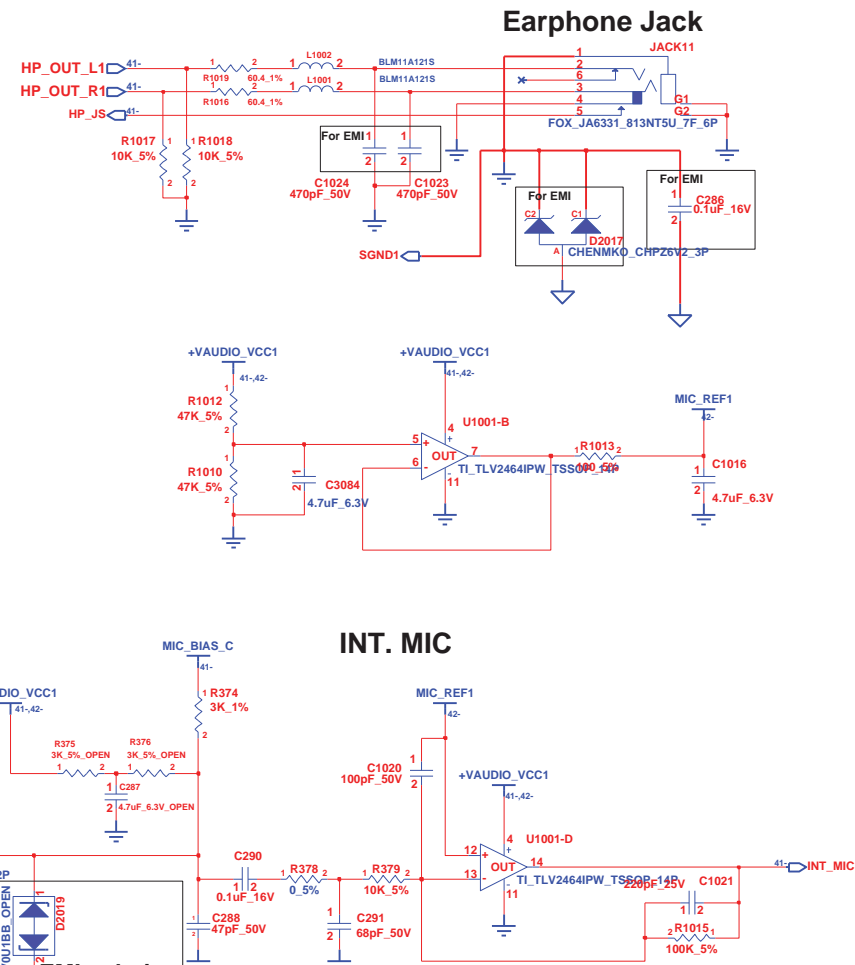
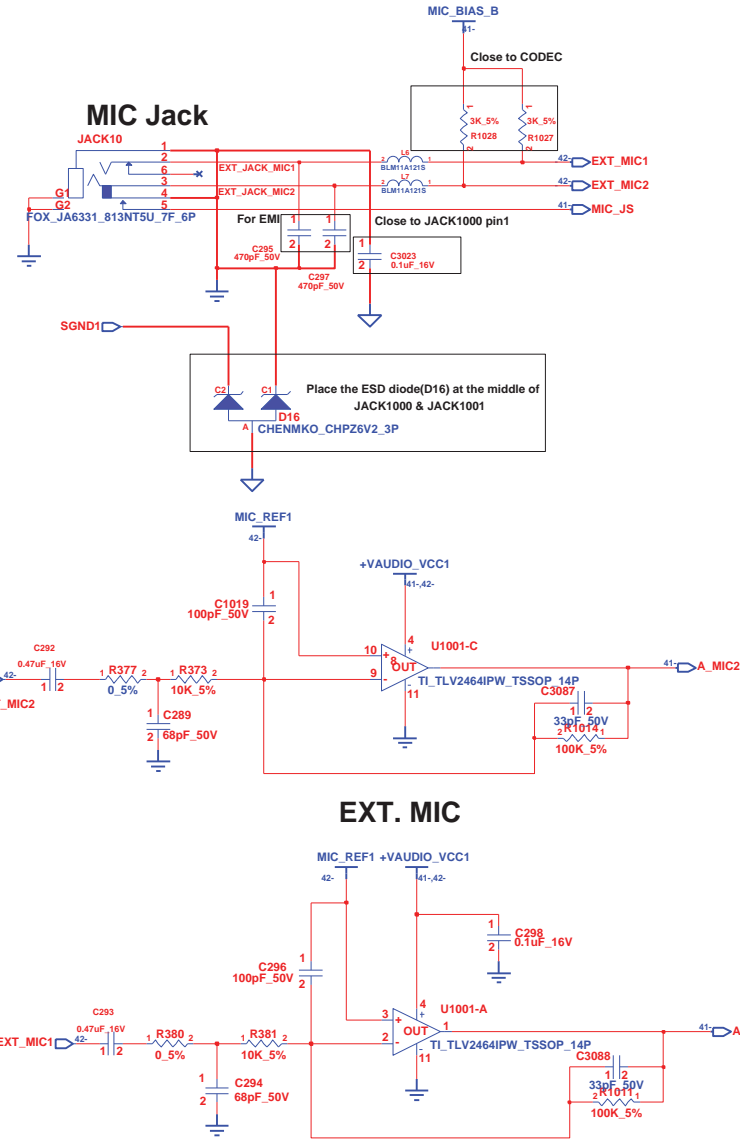
TITLE
Zenith UMA C1
 USB CONN

SIZE A3	CODE CS	DOC. NUMBER 1310A22526-0-MTR A03	REV
CHANGE by Jason Chiu		16-Mar-2009	
SHEET 38		OF 52	



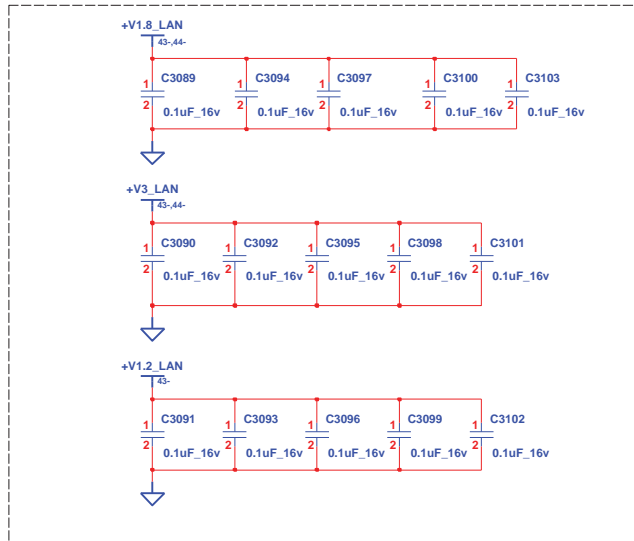
<http://laptop-motherboard-schematic.blogspot.com/>

INVENTEC			
TITLE Zenith UMA C1 KB & TP CONN			
SIZE A3	CODE CS	DOC NUMBER 1310A22526-0-MTR	REV KA03
CHANGE by <i>Jason Chiu</i>		16-Mar-2009	SHEET 40 OF 52

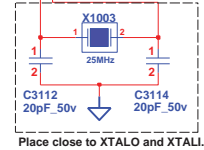
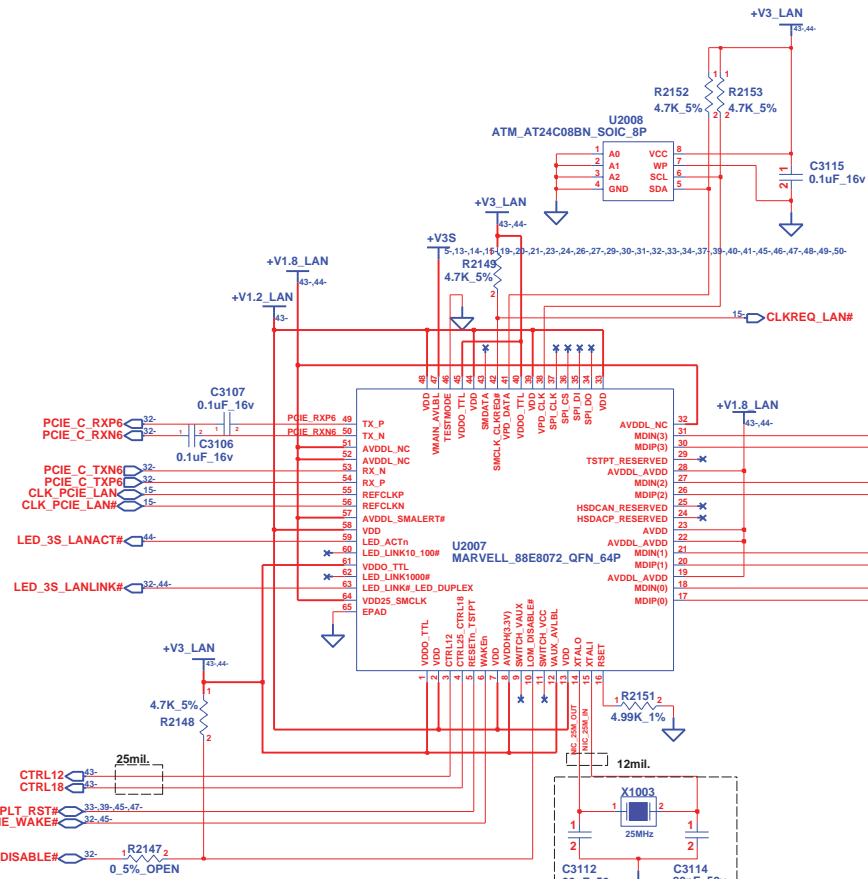


<http://laptop-motherboard-schematic.blogspot.com/>

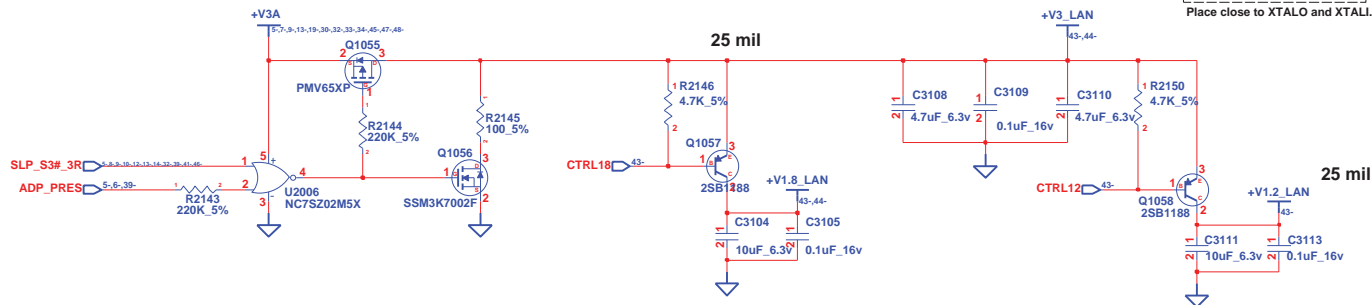
INVENTEC			
TITLE Zenith UMA C1 AUDIO JACK			
SIZE A3	CODE CS	DOC NUMBER I310A22526-0-MTR	REV RA03
CHANGE by <i>Jason Chiu</i>		16-Mar-2009	
SHEET 42		OF 52	



Place bypass cap as close as possible with every power pin.

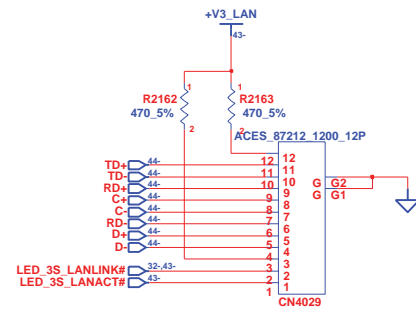
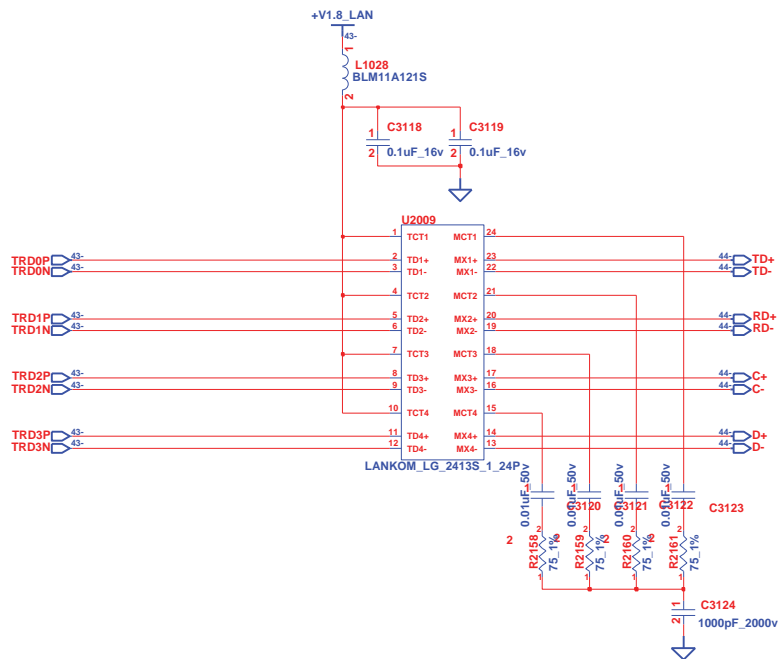


Place close to XTALO and XTAL.



<http://laptop-motherboard-schematic.blogspot.com/>

INVENTEC			
TITLE Zenith UMA C1 Giga LAN			
SIZE A3	CODE CS	DOC NUMBER I310A22526-0-MTR	REV A03
CHANGE by <i>Jason Chiu</i>		16-Mar-2009	
SHEET 43		OF 52	



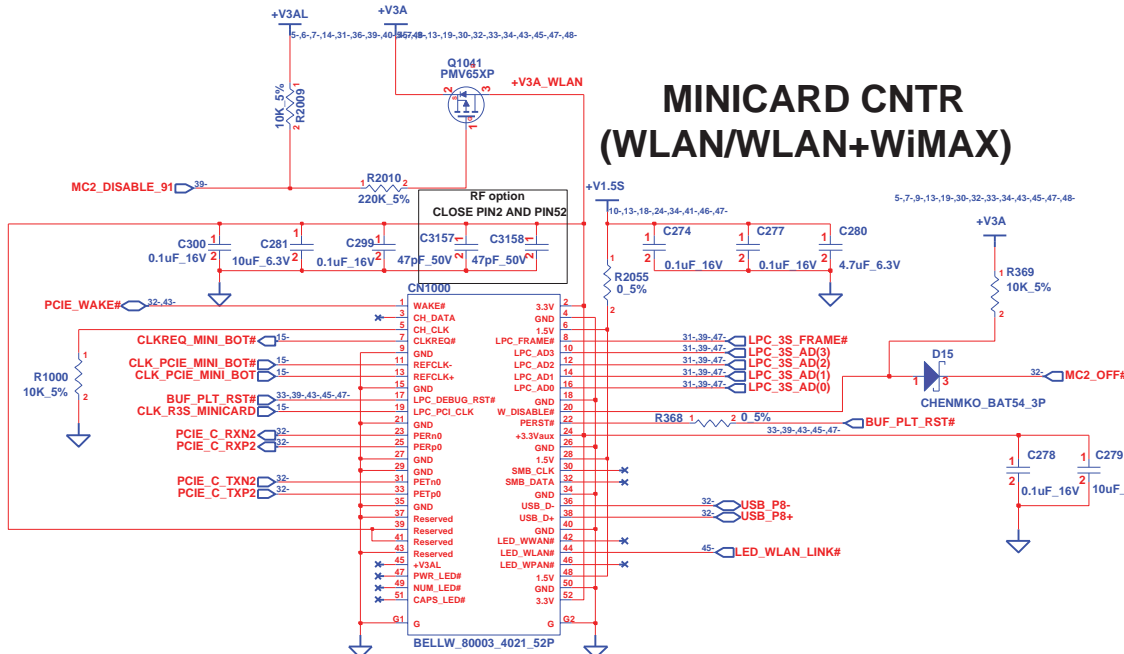
<http://laptop-motherboard-schematic.blogspot.com/>

INVENTEC

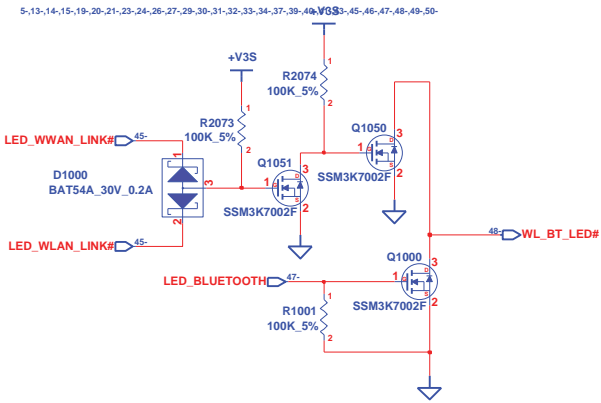
TITLE
Zenith UMA C1
RJ-45 CONN

SIZE A3	CODE CS	DOC. NUMBER 1310A22526-0-MTR	REV KA03
-------------------	-------------------	--	--------------------

MINICARD CNTR (WLAN/WLAN+WiMAX)

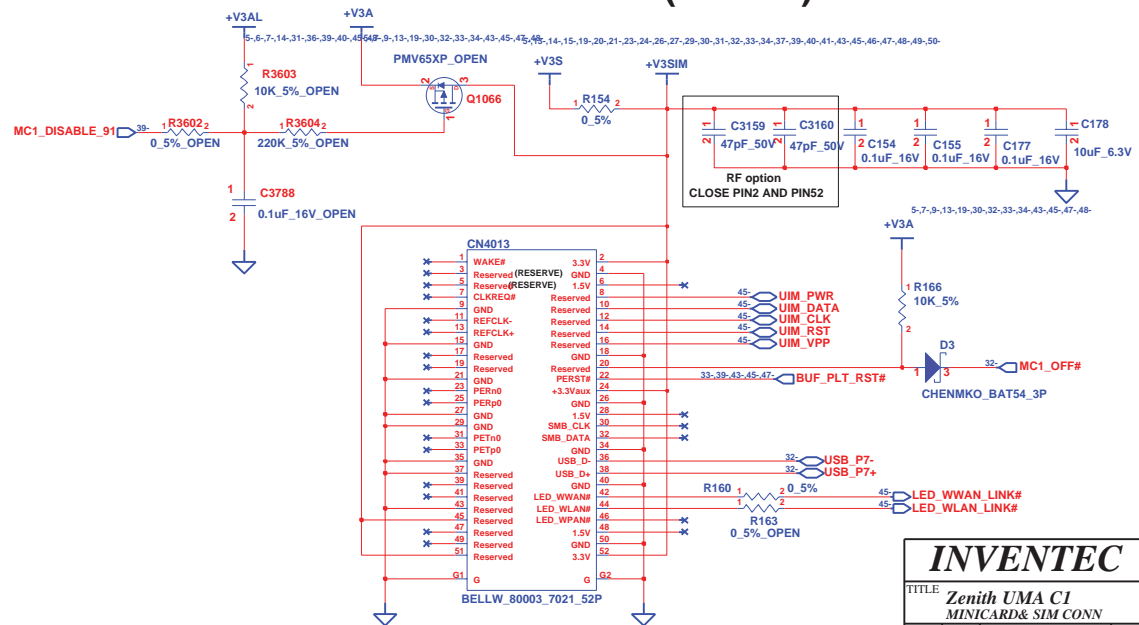


5-13, 14, 15, 19, 20, 21, 23, 24, 26, 27, 29, 30, 31, 32, 33, 34, 37, 39, 40, 41, 43, 45, 46, 47, 48, 49, 50



WLAN Bluetooth LED

MINICARD CNTR (WWAN)



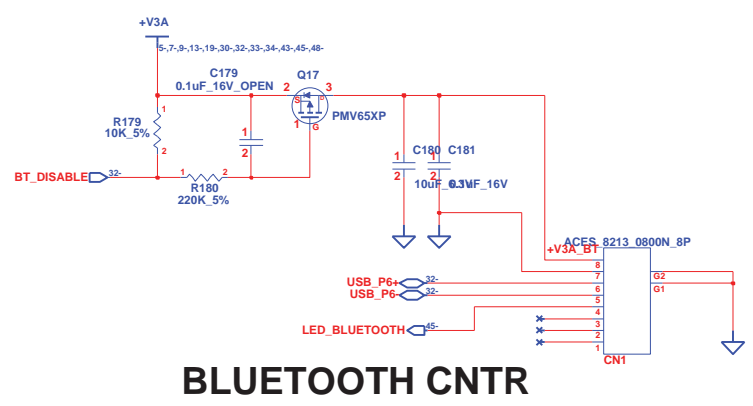
INVENTEC

TITLE			
Zenith UMA C1 MINICARD & SIM CNTR			
SIZE	CODE	DOC NUMBER	REV
A3	CS	1310A22526-0-MTR	RA03
SHEET		OF	
45		52	

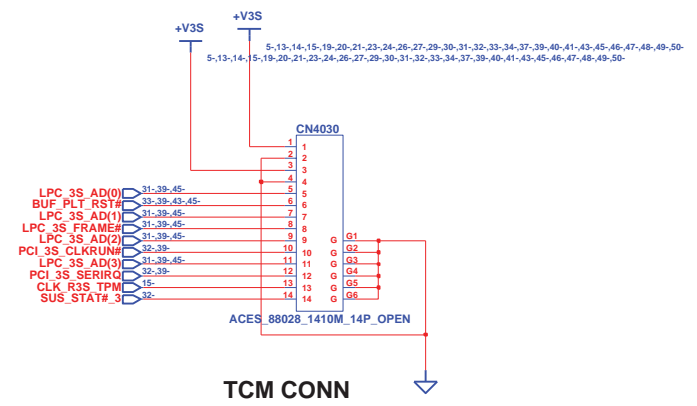
<http://laptop-motherboard-schematic.blogspot.com/>

CHANGE by Jason Chiu 16-Mar-2009

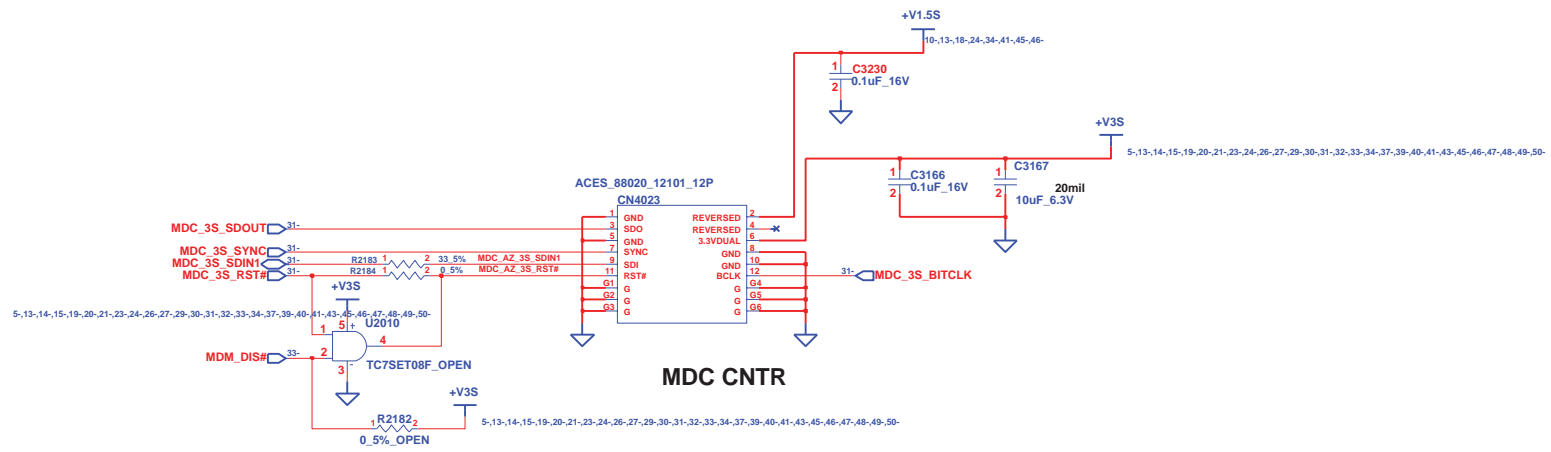
16-Mar-2009



BLUETOOTH CNTR



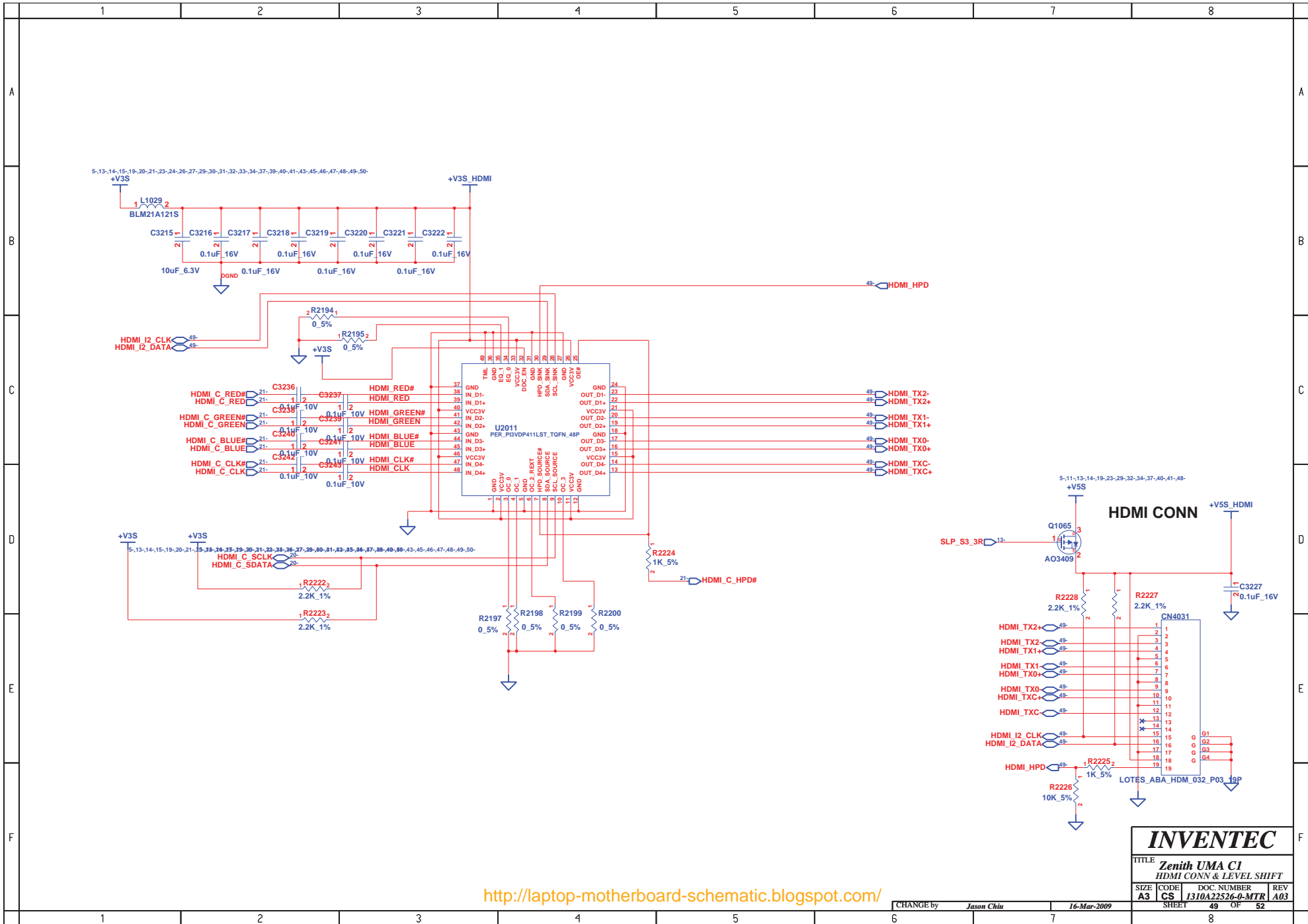
TCM CONN



MDC CNTR

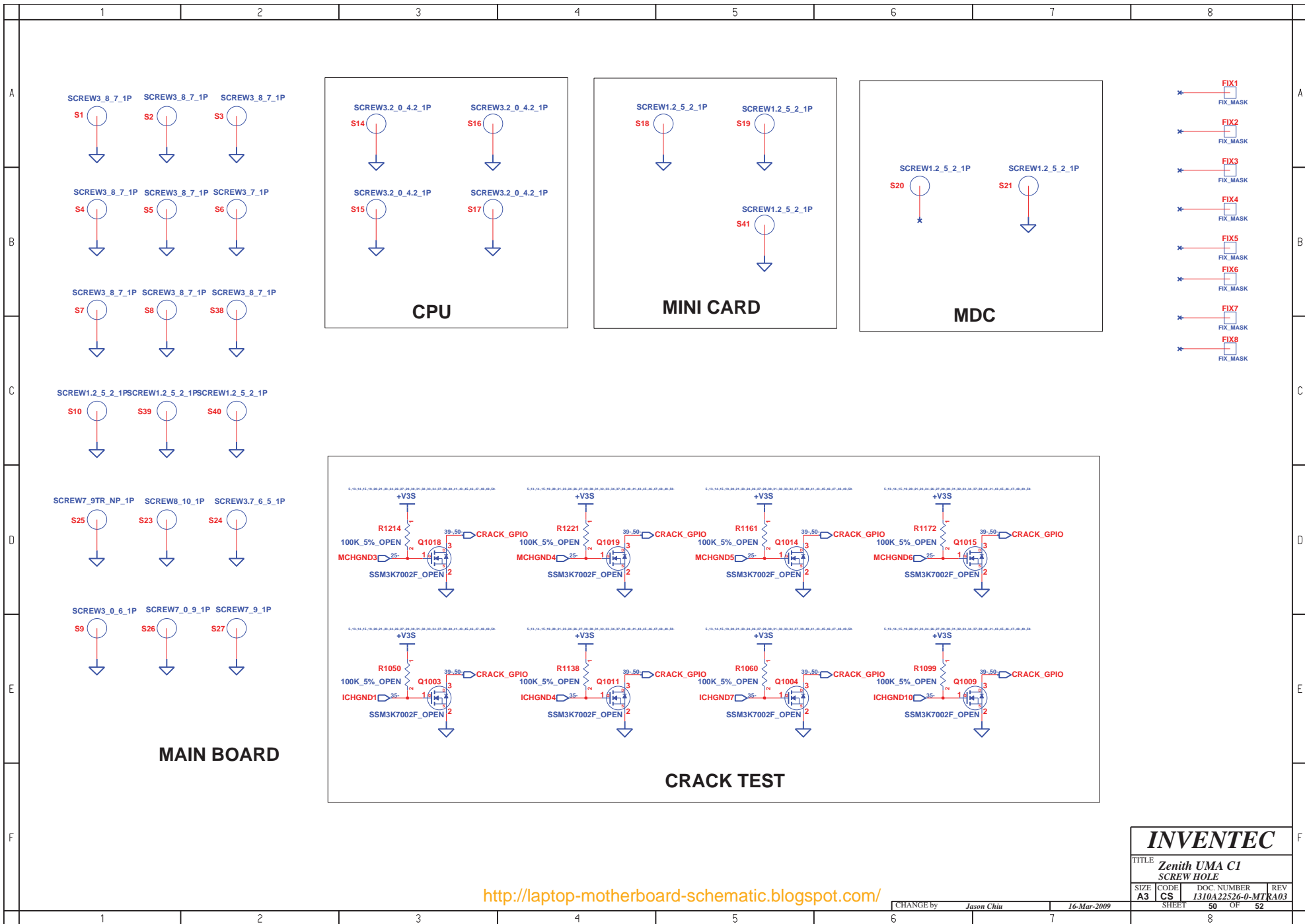
<http://laptop-motherboard-schematic.blogspot.com/>

INVENTEC			
TITLE Zenith UMA C1 BT & MDC & TCM			
SIZE A3	CODE CS	DOC NUMBER 1310A22526-0-MTR	REV RA03
CHANGE by <i>Jason Chiu</i>		16-Mar-2009	SHEET 47 OF 52



<http://laptop-motherboard-schematic.blogspot.com/>

INVENTEC			
TITLE Zenith UMA CI HDMI CONN & LEVEL SHIFT			
SIZE A3	CODE CS	DOC NUMBER I310A22526-0-MTR	REV A03
CHANGE by <i>Jason Chiu</i>		DATE 16-Mar-2009	
SHEET 49		OF 52	

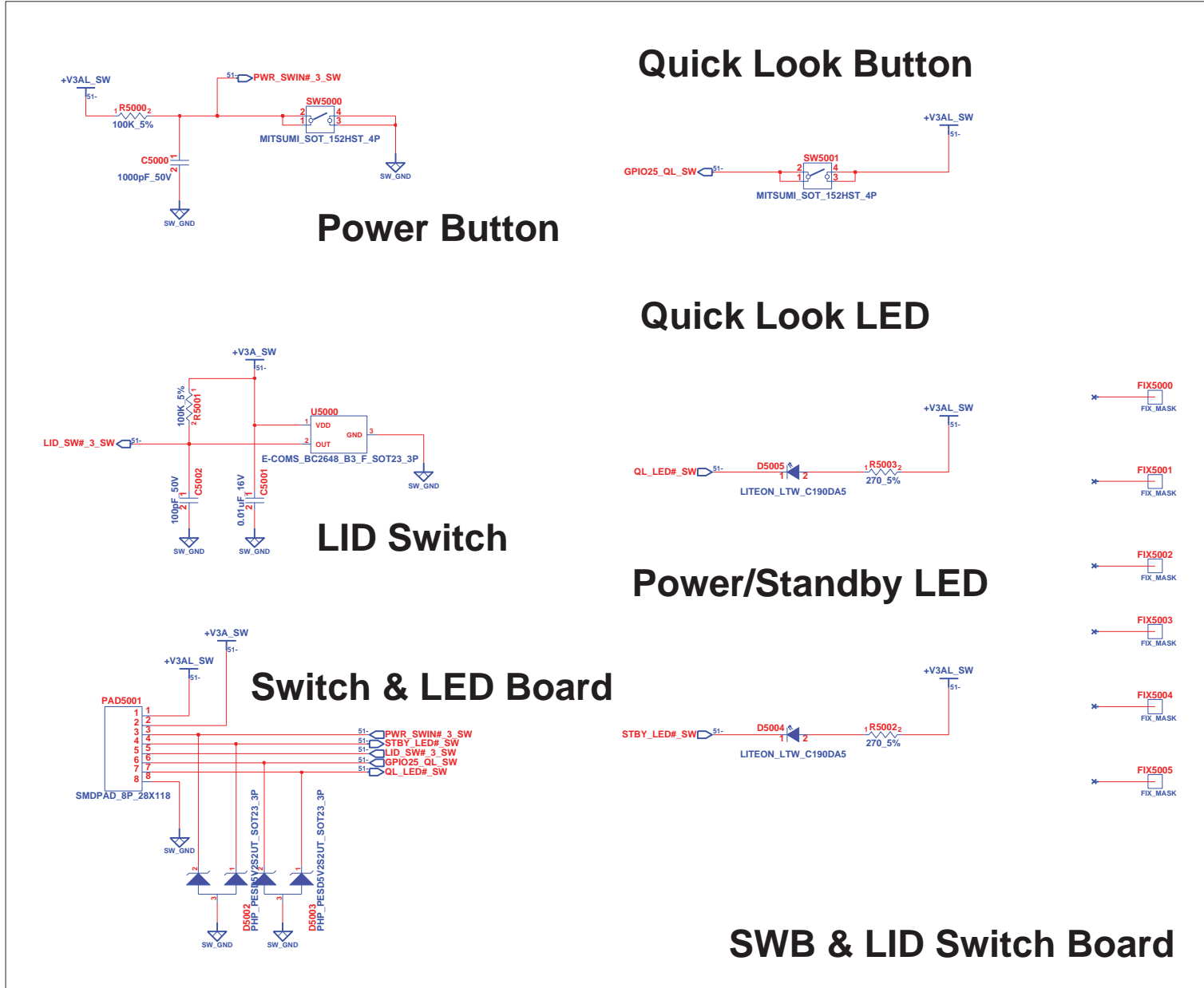


<http://laptop-motherboard-schematic.blogspot.com/>

INVENTEC

TITLE
Zenith UMA C1
SCREW HOLE

SIZE A3	CODE CS	DOC. NUMBER 1310A22526-0-MTR	REV RA03
------------	------------	---------------------------------	-------------



Power Button

Quick Look Button

Quick Look LED

LID Switch

Power/Standby LED

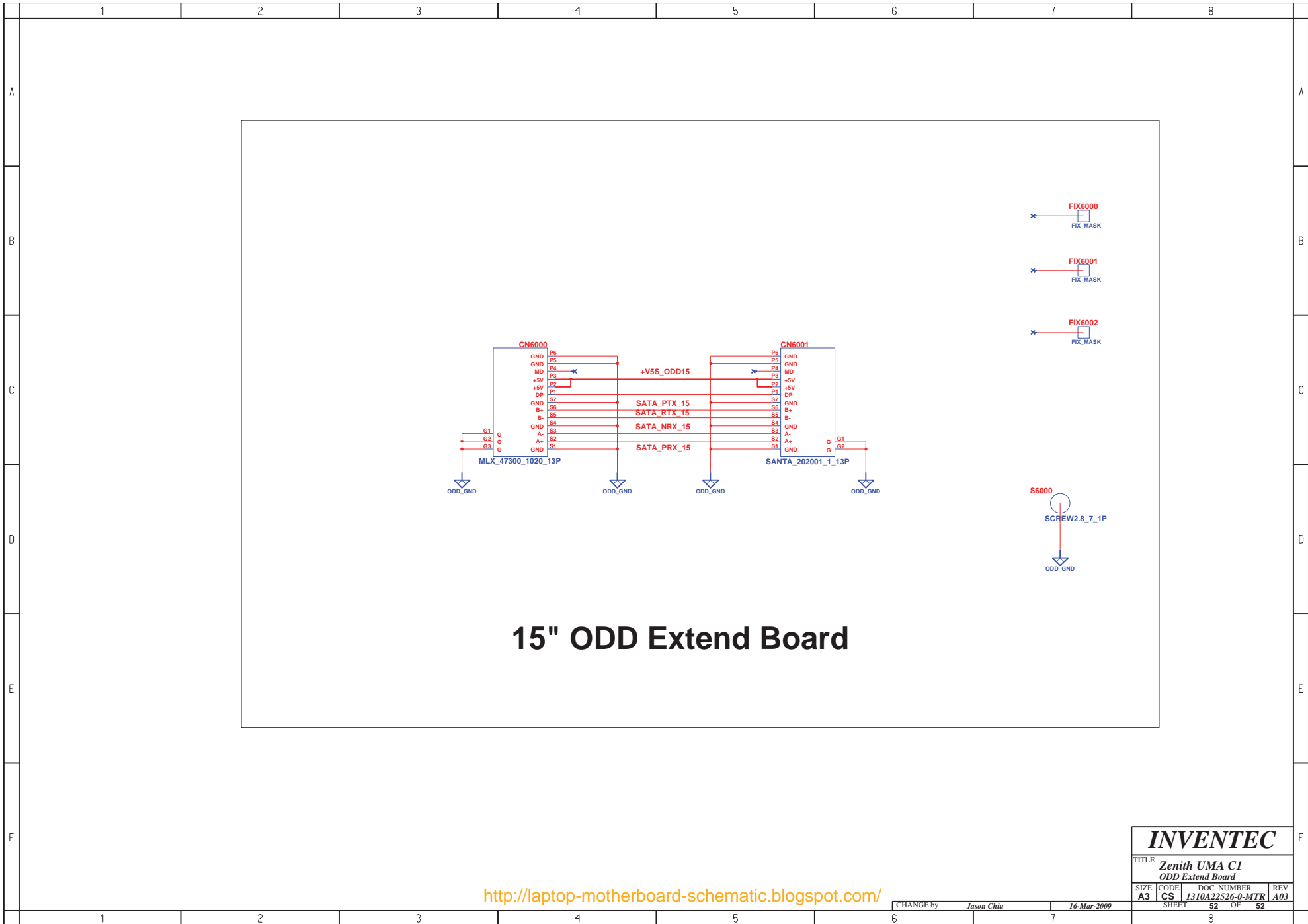
Switch & LED Board

SWB & LID Switch Board

- ✖ FIX5000
FIX_MASK
- ✖ FIX5001
FIX_MASK
- ✖ FIX5002
FIX_MASK
- ✖ FIX5003
FIX_MASK
- ✖ FIX5004
FIX_MASK
- ✖ FIX5005
FIX_MASK

<http://laptop-motherboard-schematic.blogspot.com/>

INVENTEC			
TITLE Zenith UMA C1 SWB & LID Switch			
SIZE A3	CODE CS	DOC NUMBER 1310A22526-0-MTR	REV A03
CHANGE by <i>Jason Chiu</i>		16-Mar-2009	
SHEET 51		OF 52	



<http://laptop-motherboard-schematic.blogspot.com/>

INVENTEC			
TITLE Zenith UMA C1 ODD Extend Board			
SIZE A3	CODE CS	DOC. NUMBER 1310A22526-0-MTR	REV A03
CHANGE by <i>Jason Chiu</i>		16-Mar-2009	
SHEET		52	OF 52