

VULCAIN UMA SI Build FINAL

2008.12.26

| DATE | CHANGE NO. | REV |
|------|------------|-----|
| | | |
| | | |
| | | |
| | | |
| | | |
| | | |
| | | |
| | | |
| | | |
| | | |

| | | | | | | | | |
|-------------|----------------|-------|-------|------|-----------------|------|------------------|-----|
| DRAWER | EE | DATE | POWER | DATE | INVENTEC | | | |
| DESIGN | | | | | | | | |
| CHECK | | | | | | | | |
| RESPONSIBLE | | | | | | | | |
| TITLE | | | | | VV UMA SATA | | | |
| SIZE = | 3 | VER : | | | | | | |
| FILE NAME : | XXXX XXXXXX-XX | | | | SIZE | CODE | DOC. NUMBER | REV |
| P/N | XXXXXXXXXXXX | | | | D | CS | 1310A22163-0-MTR | A01 |
| | | | | | SHEET | 1 | OF | 50 |

TABLE OF CONTENTS

PAGE

- 5- DC& BATTERY CHARGER
- 6- SELECT & BATTERY CONN
- 7- SYSTEM POWER(3V/5V)
- 8- SYSTEM POWER(+V1.8/+V1.25S)
- 9- SYSTEM POWER(+VGFX/+VCCP)
- 10- SYSTEM POWER(+V1.5S)
- 11- CPU POWER(VCC_CORE)
- 12- DDR TERMINATION VOLTAGE
- 13- POWER(SLEEP)
- 14- POWER(SEQUENCE)

PAGE

- 15- CLOCK_GENERATOR
- 16- PENRYN-1
- 17- PENRYN-2
- 18- PENRYN-3
- 19- THERMAL&FAN CONTROLLER
- 20- Crestline-1
- 21- Crestline-2
- 22- Crestline-3
- 23- Crestline-4
- 24- Crestline-5
- 25- Crestline-6
- 26- DDR2-DIMM0
- 27- DDR2-DIMM1
- 28- DDR2-DAMPING
- 29- VGA CONN
- 30- LCM CONN
- 31- ICH8-1
- 32- ICH8-2
- 33- ICH8-3
- 34- ICH8-4
- 35- ICH8-5

PAGE

- 36- SYSTEM BIOS
- 37- HDD&ODD CONN
- 38- USB CONN
- 39- KBC
- 40- KB&TP CONN
- 41- AUDIO CODEC
- 42- MDC CONN & AUDIO JACK
- 43- NIC 10/100- CONTROLLER
- 44- NIC 10/100- RJ45 CONN
- 45- MINICARD & BT CONN
- 46- NEW CARD & SD/MMC
- 47- LED & BUTTON&LID SWITCH
- 48- SCREW HOLE
- 49- SWITCH Board
- 50- ODD Extend Board

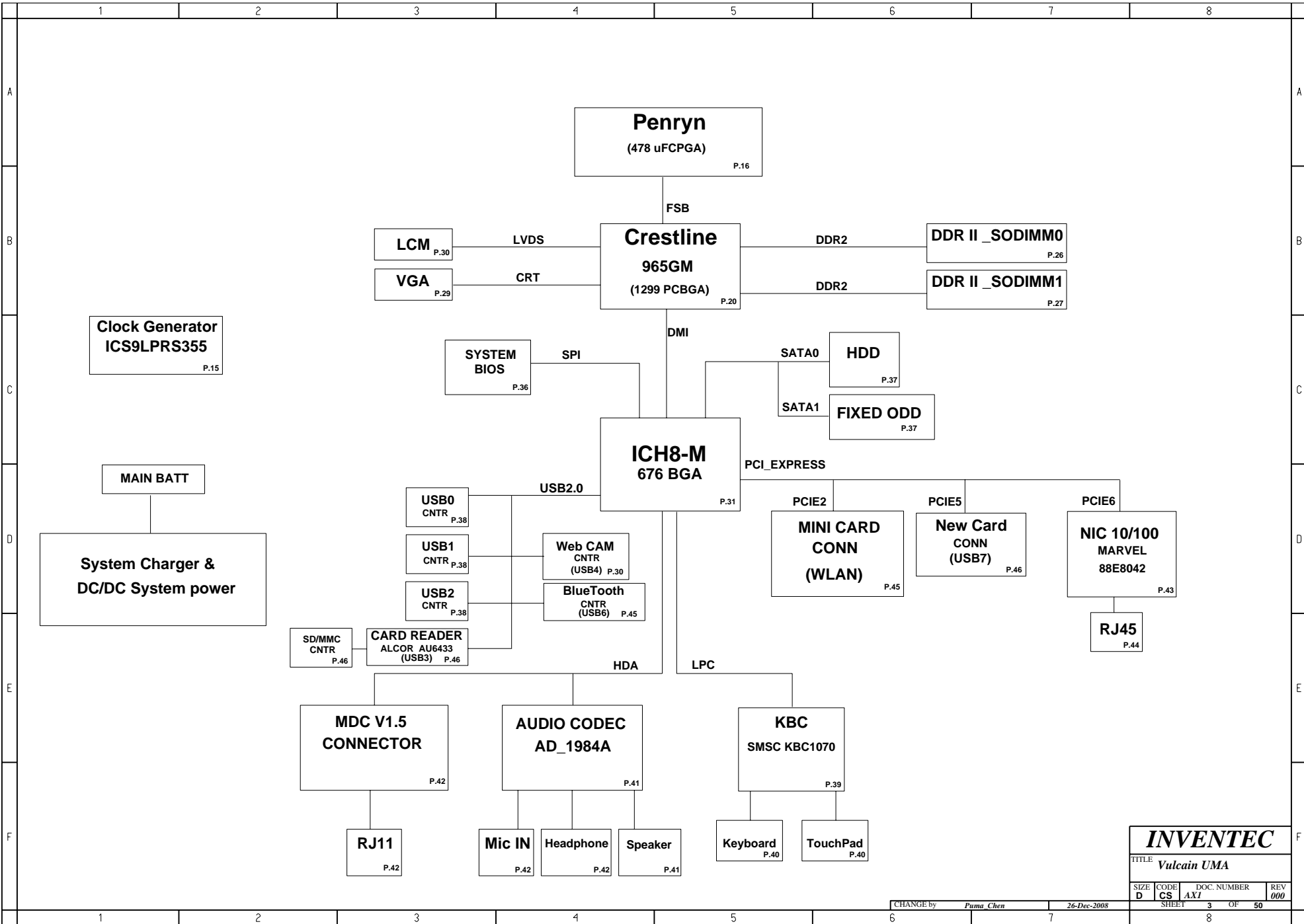
INVENTEC

TITLE *Vulcain UMA*

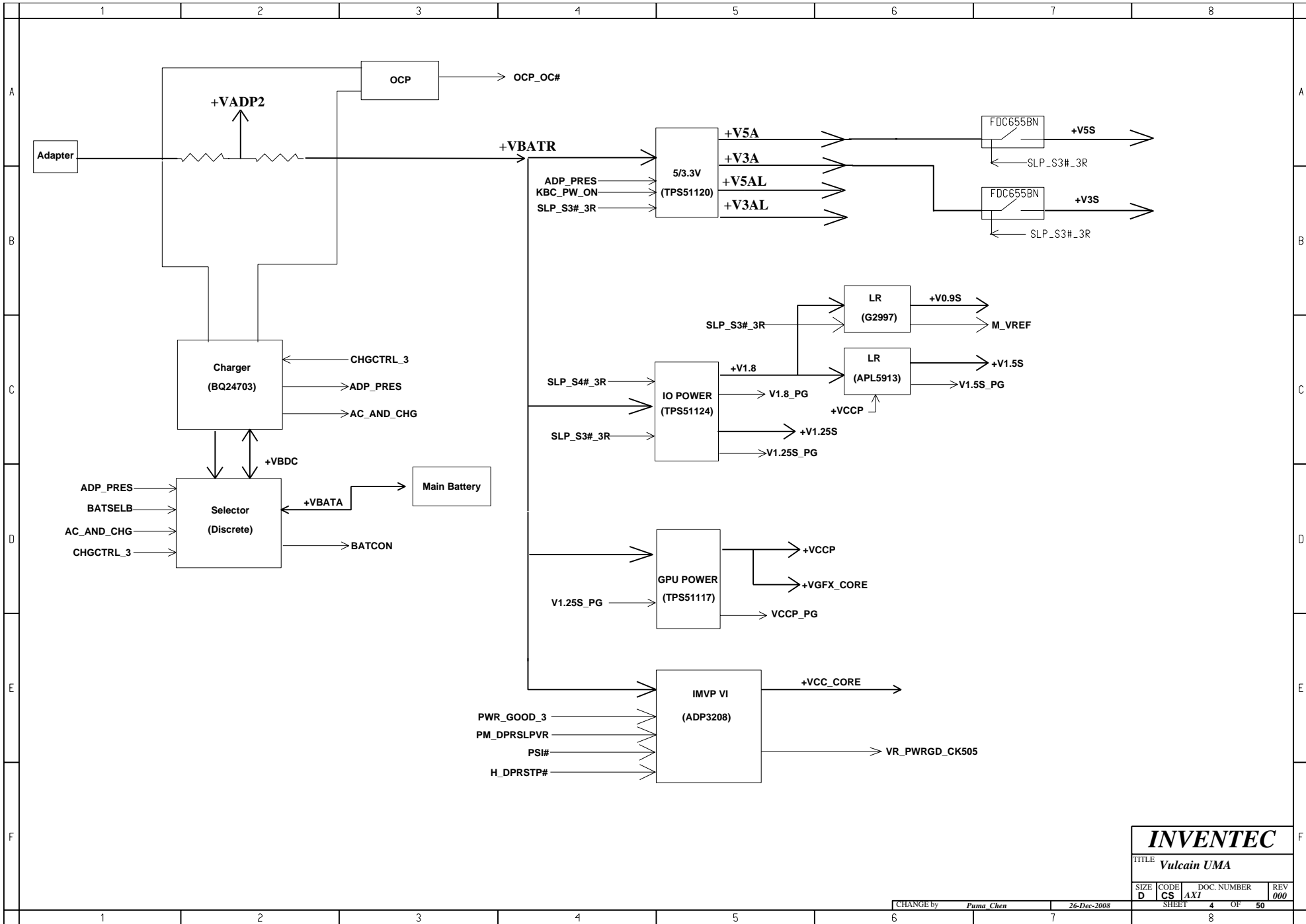
| | | | |
|------|--------|-------------|-----|
| SIZE | CODE | DOC. NUMBER | REV |
| D | CS AXI | 26-Dec-2008 | 000 |

CHANGE by *Puma Chen* 26-Dec-2008

SHEET 2 OF 50



| | | | |
|----------------------------|------------|--------------------|------------|
| INVENTEC | | | |
| TITLE <i>Vulcain UMA</i> | | | |
| SIZE D | CODE CS | DOC. NUMBER AX1 | REV 000 |
| CHANGE by <i>Puma Chen</i> | | 26-Dec-2008 | |
| SHEET | | 3 OF 50 | |
| | | 8 | |

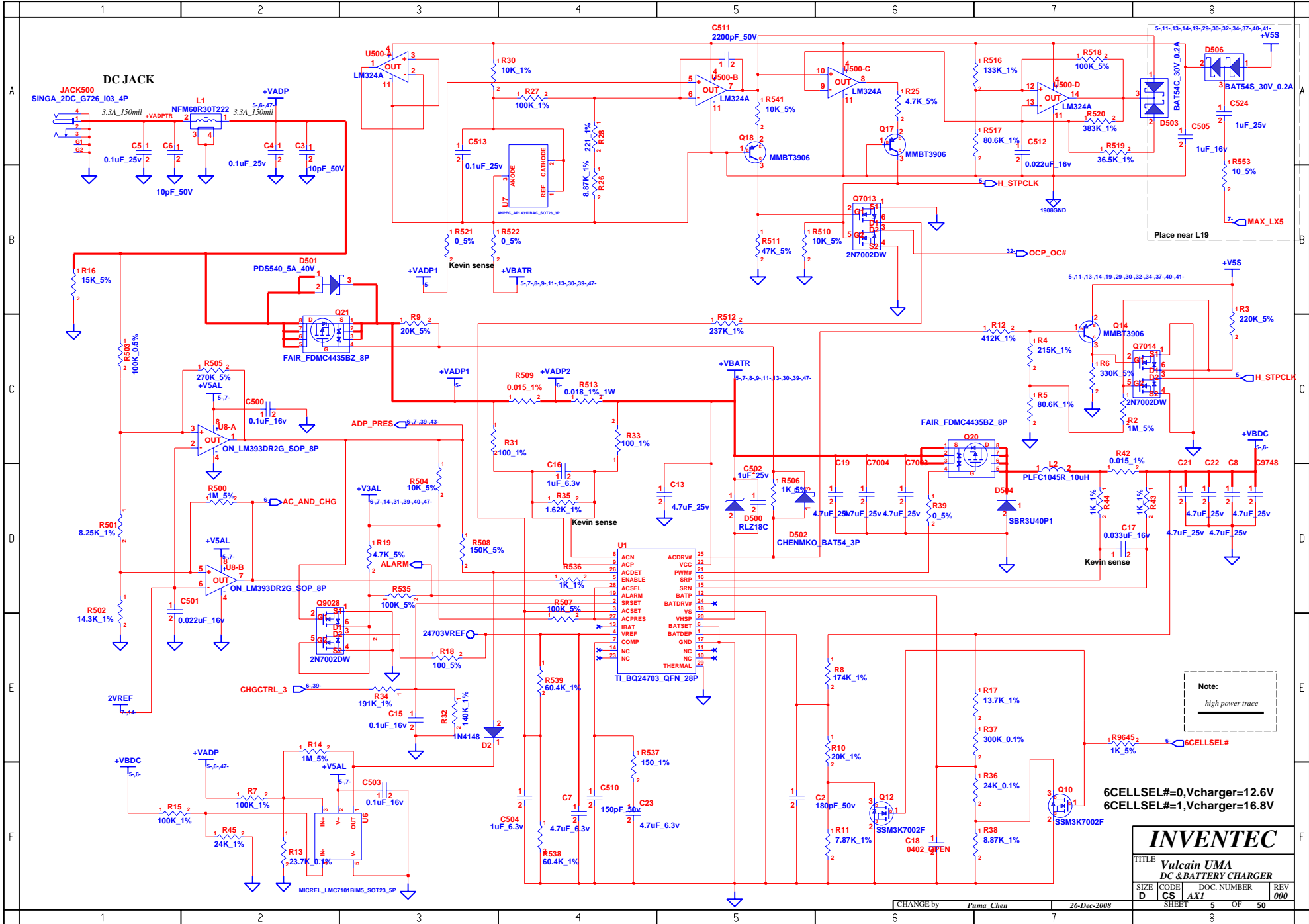


INVENTEC

TITLE **Vulcain UMA**

| | | | |
|------|------|-------------|-----|
| SIZE | CODE | DOC. NUMBER | REV |
| D | CS | AXI | 000 |

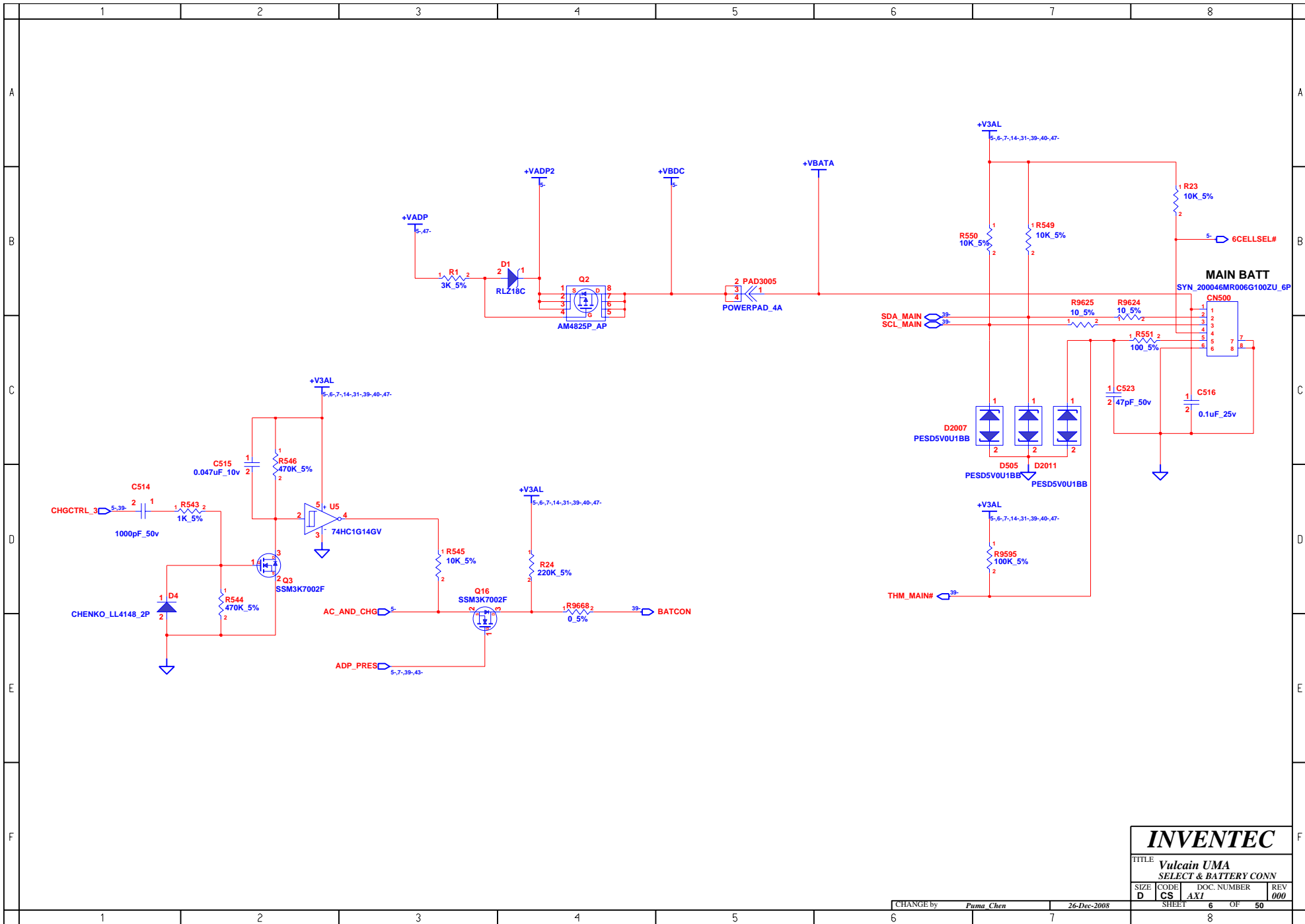
| | | | | | | |
|-----------|-----------|-------------|-------|---|----|----|
| CHANGE by | Puma Chen | 26-Dec-2008 | SHEET | 4 | OF | 50 |
| | | | SHEET | 8 | | |



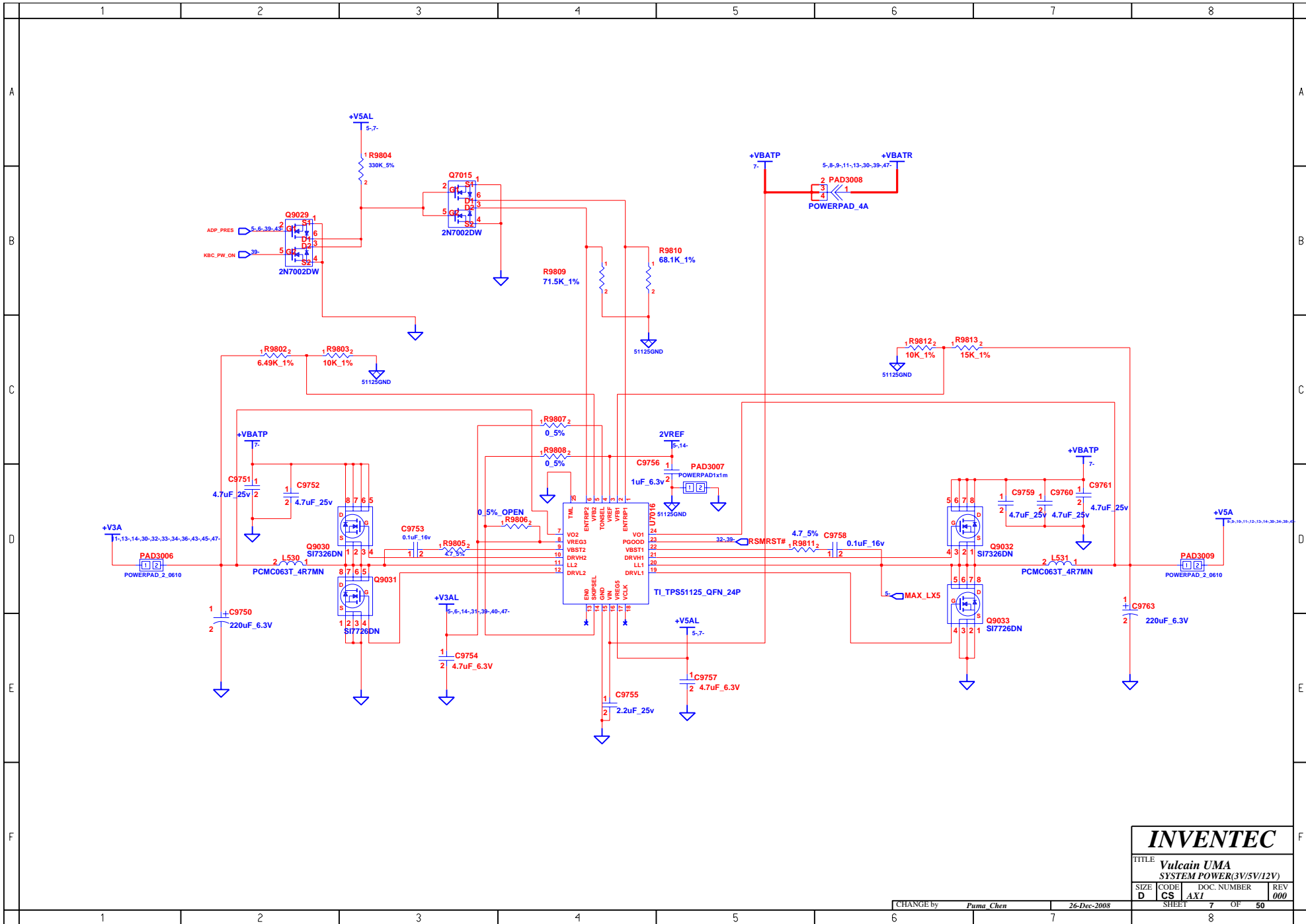
6CELLSEL#=0, Vcharger=12.6V
 6CELLSEL#=1, Vcharger=16.8V

Note:
 high power trace

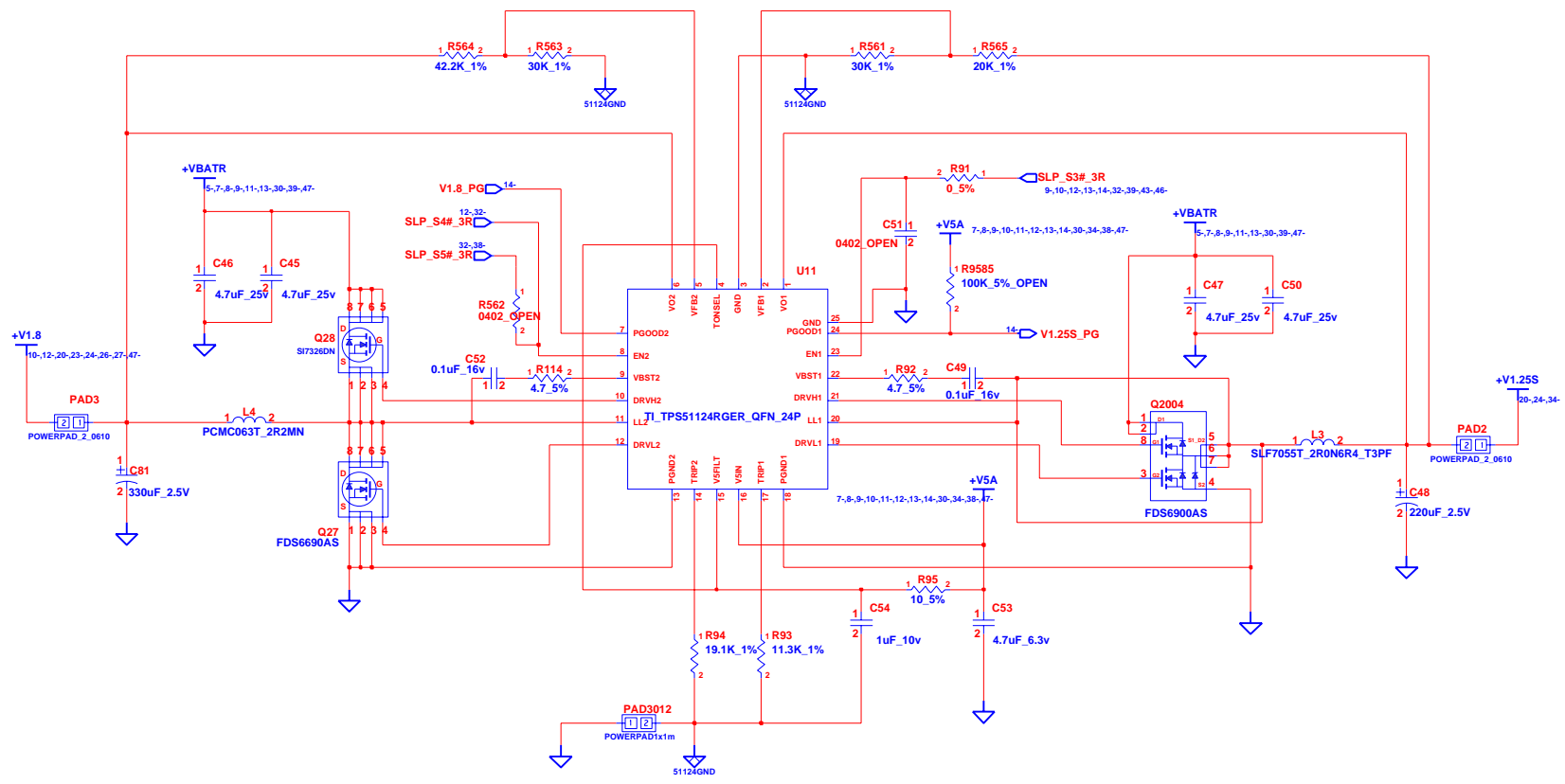
| | | | |
|--|------|-------------|-------|
| INVENTEC | | | |
| TITLE Vulcain UMA DC & BATTERY CHARGER | | | |
| SIZE | CODE | DOC. NUMBER | REV |
| D | CS | AX1 | 000 |
| SHEET | | 5 | OF 50 |



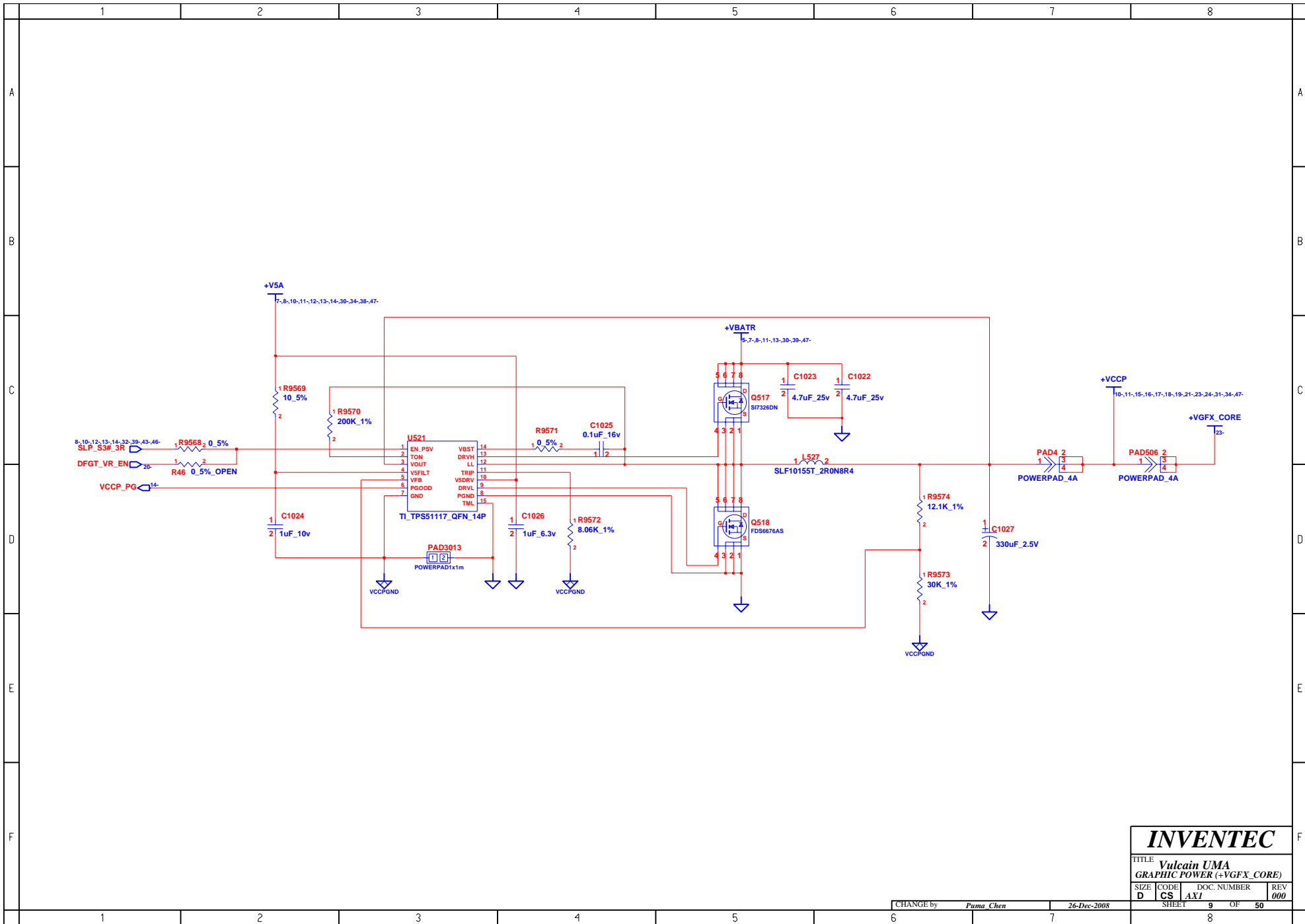
| | | | |
|---|-------------------|---------------------------|-------------------|
| INVENTEC | | | |
| TITLE Vulcain UMA SELECT & BATTERY CONN | | | |
| SIZE D | CODE CS | DOC. NUMBER AXI | REV 000 |
| CHANGE by <i>Puma Chen</i> | | 26-Dec-2008 | |
| SHEET | | 6 OF 50 | |
| 1 | | 8 | |



| | | | |
|-----------------------------|-------------------|---------------------------|-------------------|
| INVENTEC | | | |
| TITLE Vulcain UMA | | | |
| SYSTEM POWER(3V/5V/12V) | | | |
| SIZE D | CODE CS | DOC. NUMBER AXI | REV 000 |
| CHANGE by <i>Puma Chen</i> | | 26-Dec-2008 | |
| SHEET 7 | | OF 50 | |



| | | | |
|-----------------------------|------|-------------|-------------|
| INVENTEC | | | |
| TITLE Vulcain UMA | | | |
| SYSTEM POWER(+V1.8/+V1.25S) | | | |
| SIZE | CODE | DOC. NUMBER | REV |
| D | CS | AX1 | 000 |
| CHANGE by <i>Puma Chen</i> | | | 26-Dec-2008 |
| SHEET | | | 8 OF 50 |



INVENTEC

TITLE **Vulcain UMA**
GRAPHIC POWER (+VGFX_CORE)

| | | | |
|------|------|-------------|-----|
| SIZE | CODE | DOC. NUMBER | REV |
| D | CS | AX1 | 000 |

CHANGE by *Puma Chen* 26-Dec-2008

| | | | |
|-------|---|----|----|
| SHEET | 9 | OF | 50 |
|-------|---|----|----|

1

2

3

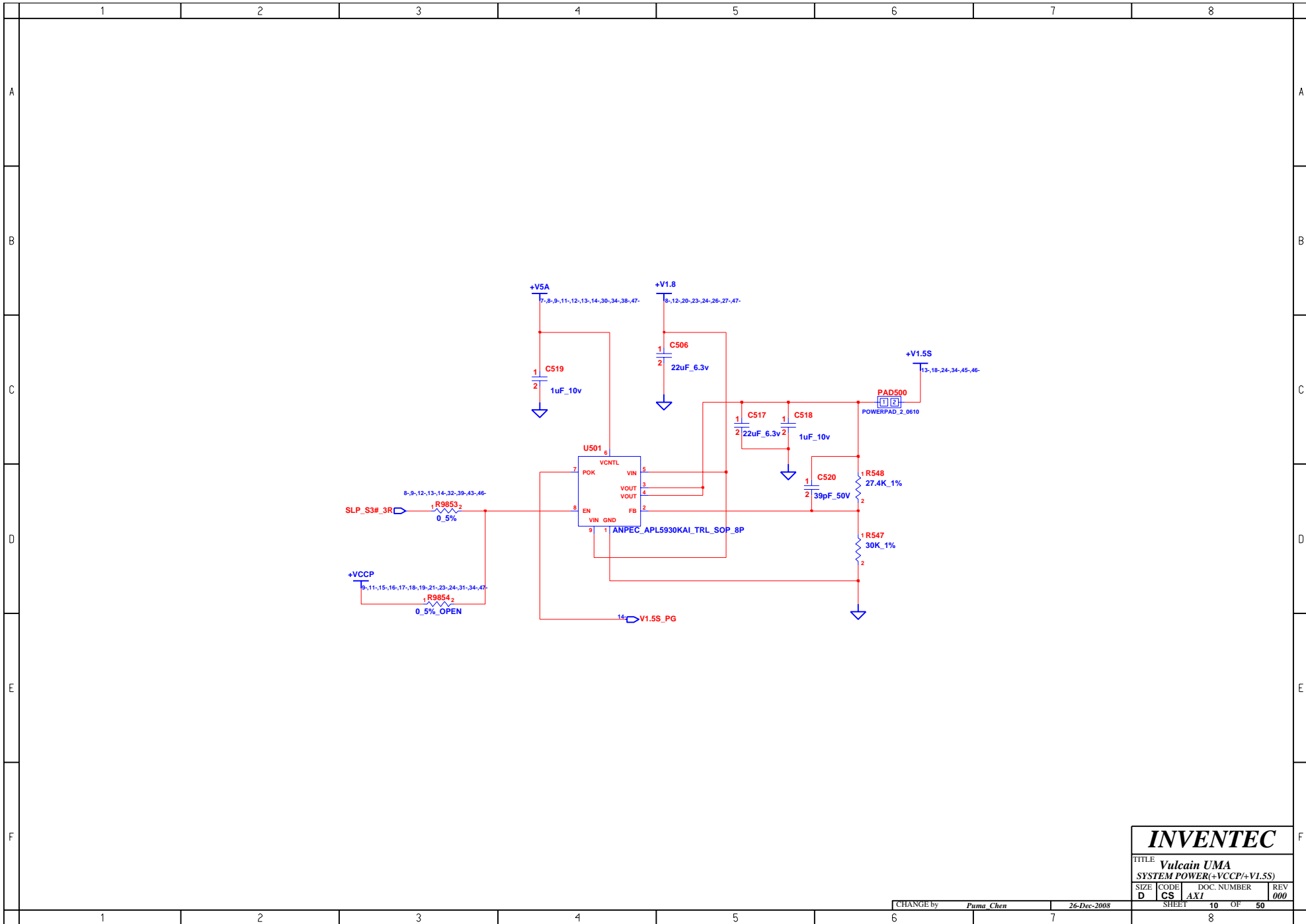
4

5

6

7

8



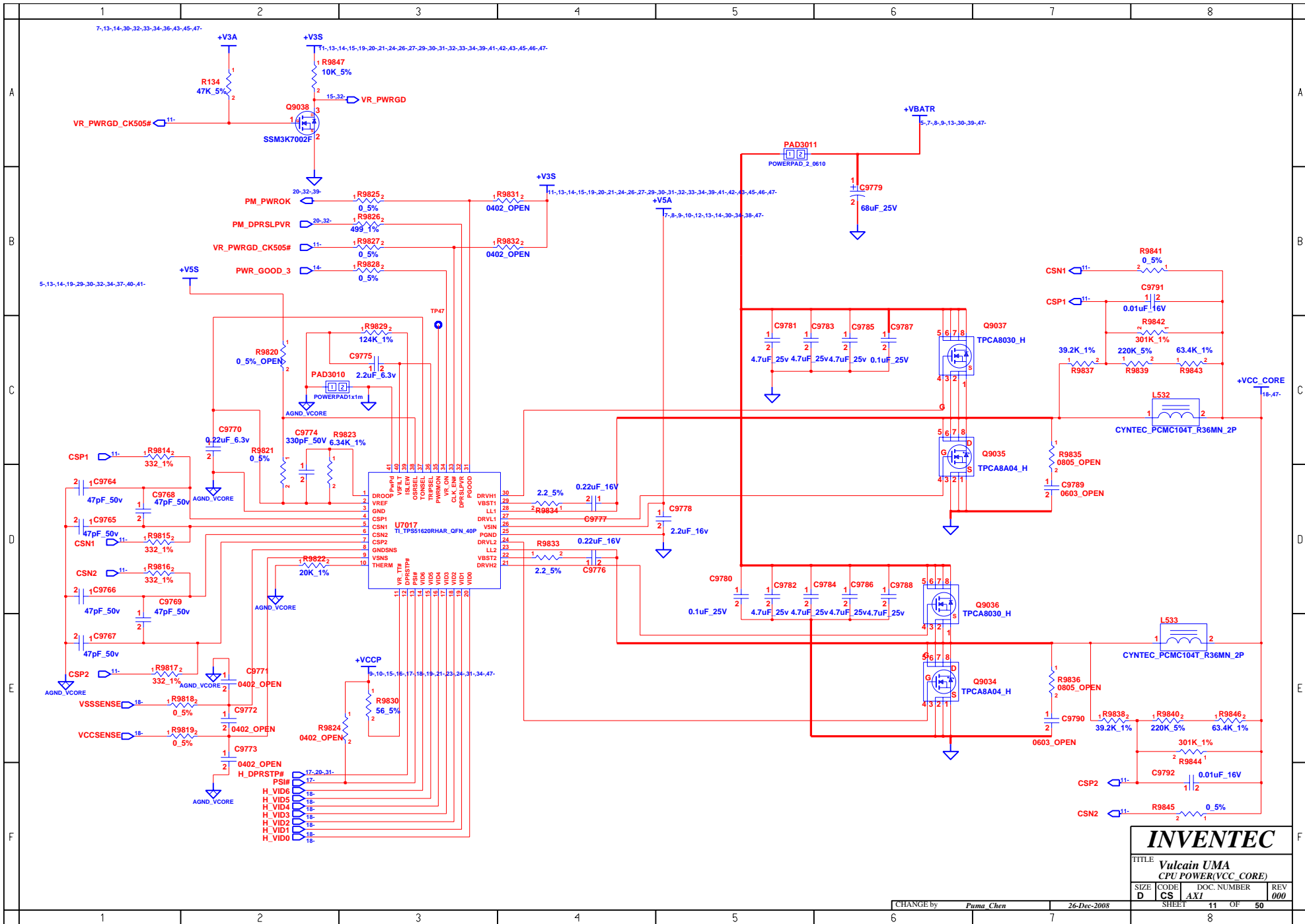
INVENTEC

TITLE **Vulcain UMA**
SYSTEM POWER(+VCCP/+V1.5S)

| | | | |
|------|------|-------------|-----|
| SIZE | CODE | DOC. NUMBER | REV |
| D | CS | AXI | 000 |

CHANGE by *Puma Chen* 26-Dec-2008

SHEET 10 OF 50



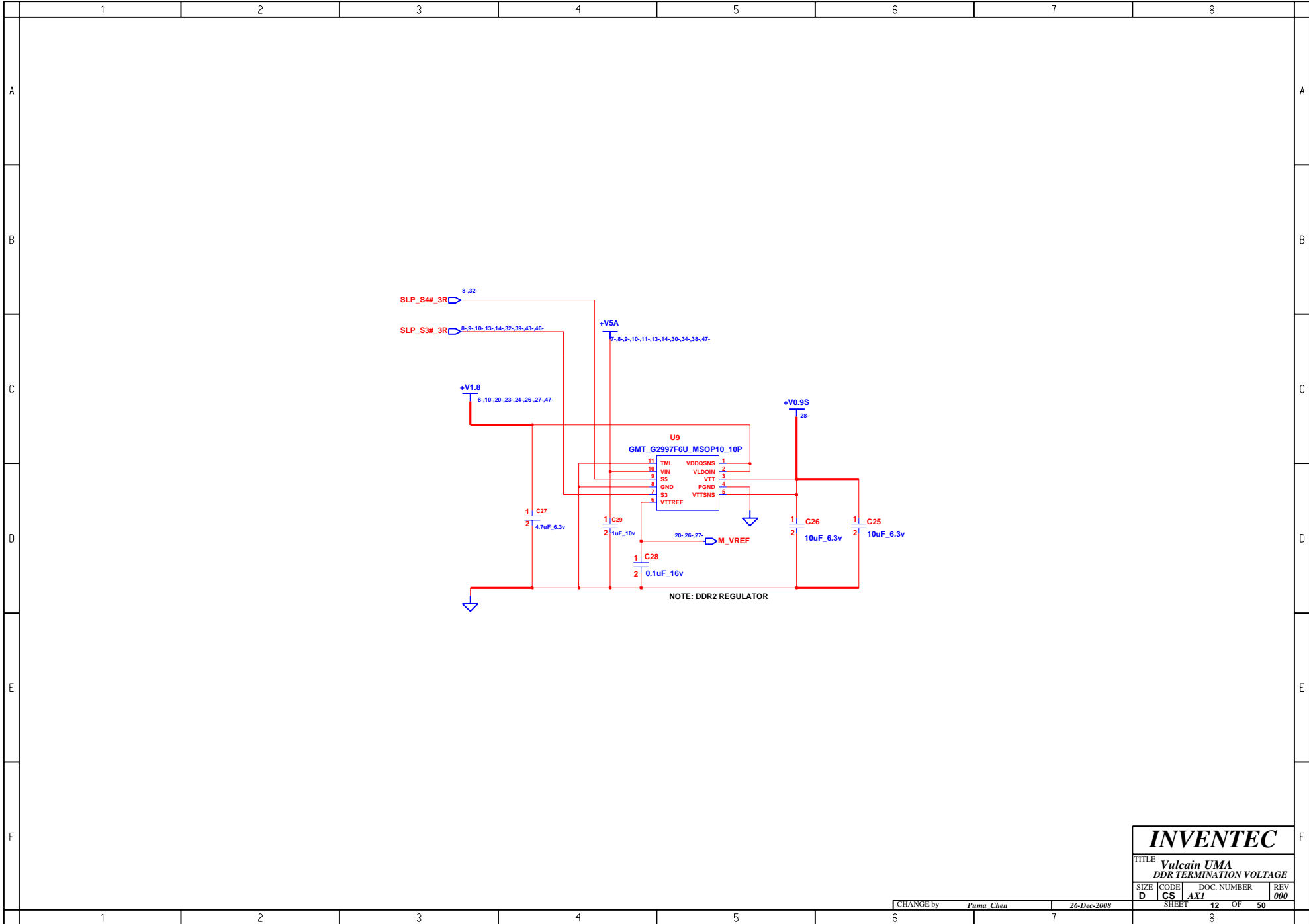
INVENTEC

TITLE
Vulcain UMA
CPU POWER(VCC_CORE)

SIZE D CODE CS AXI DOC. NUMBER REV 000

CHANGE by Puma Chen 26-Dec-2008

SHEET 11 OF 50



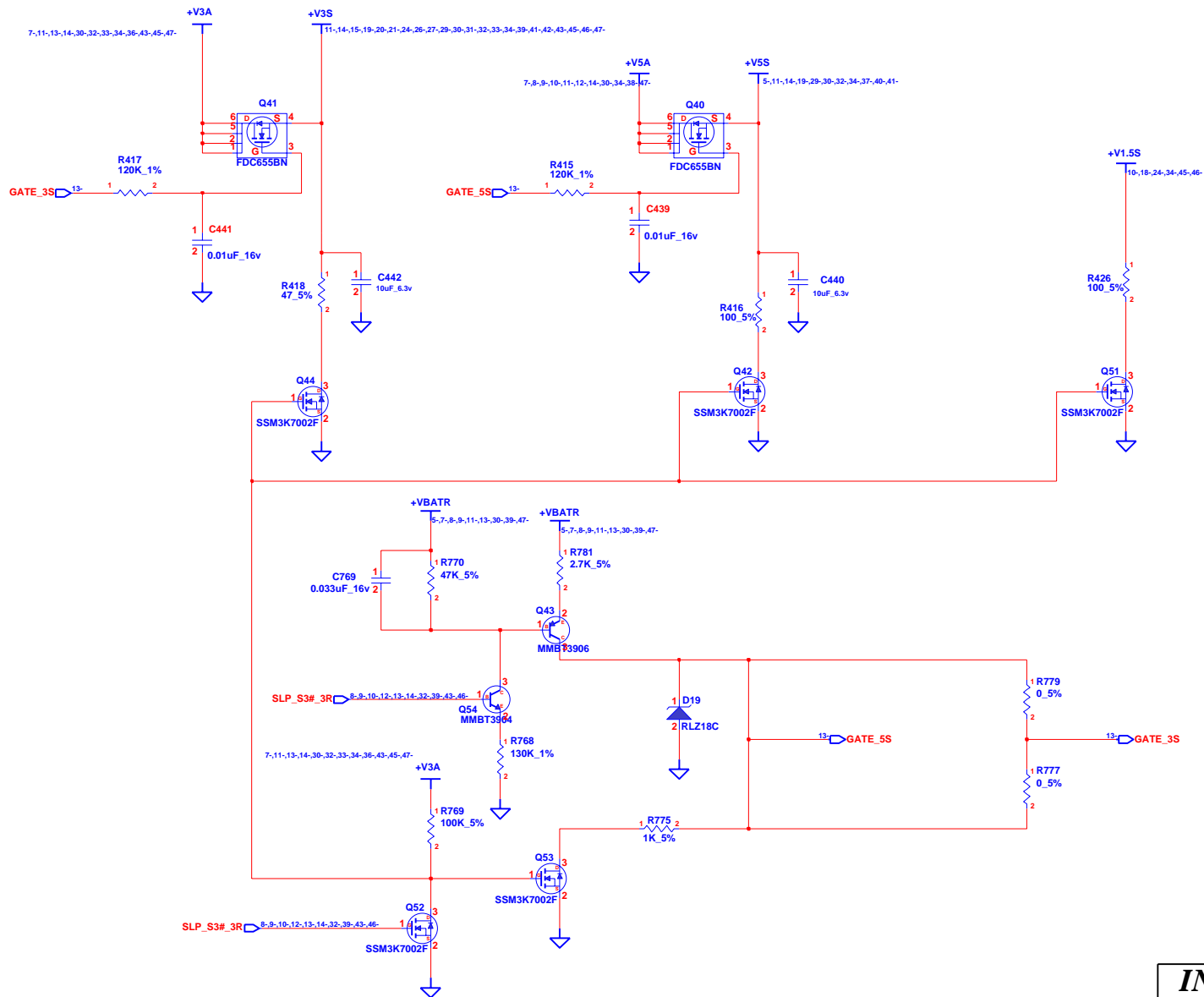
INVENTEC

TITLE **Vulcain UMA
DDR TERMINATION VOLTAGE**

| | | | |
|------------------|-------------------|---------------------------|-------------------|
| SIZE D | CODE CS | DOC. NUMBER AXI | REV 000 |
|------------------|-------------------|---------------------------|-------------------|

CHANGE by *Puma Chen* 26-Dec-2008

SHEET 12 OF 50



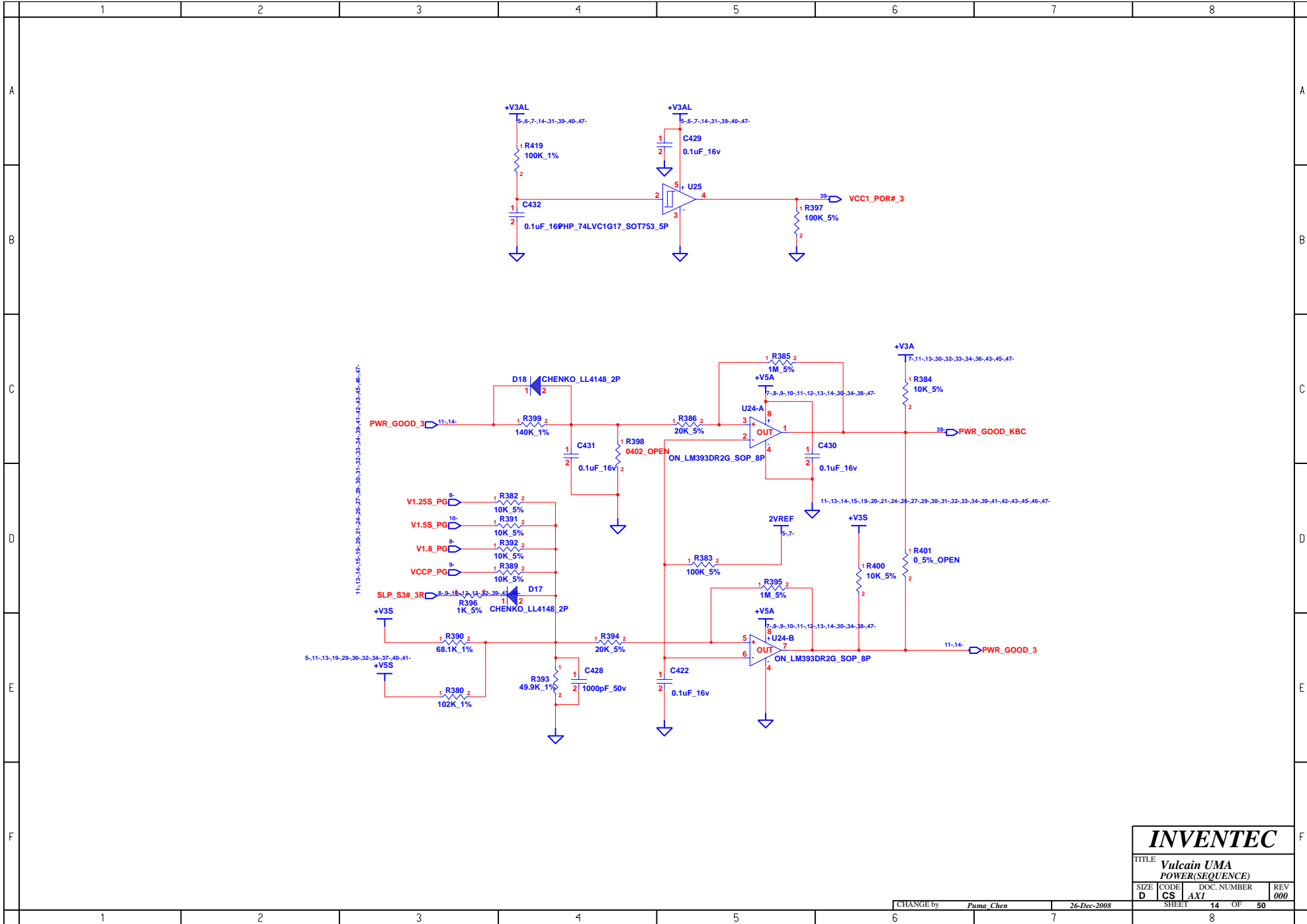
INVENTEC

TITLE
**Vulcain UMA
 POWER(SLEEP)**

| | | | |
|-----------|------------|--------------------|------------|
| SIZE D | CODE CS | DOC. NUMBER AXI | REV 000 |
|-----------|------------|--------------------|------------|

CHANGE by *Puma Chen* 26-Dec-2008

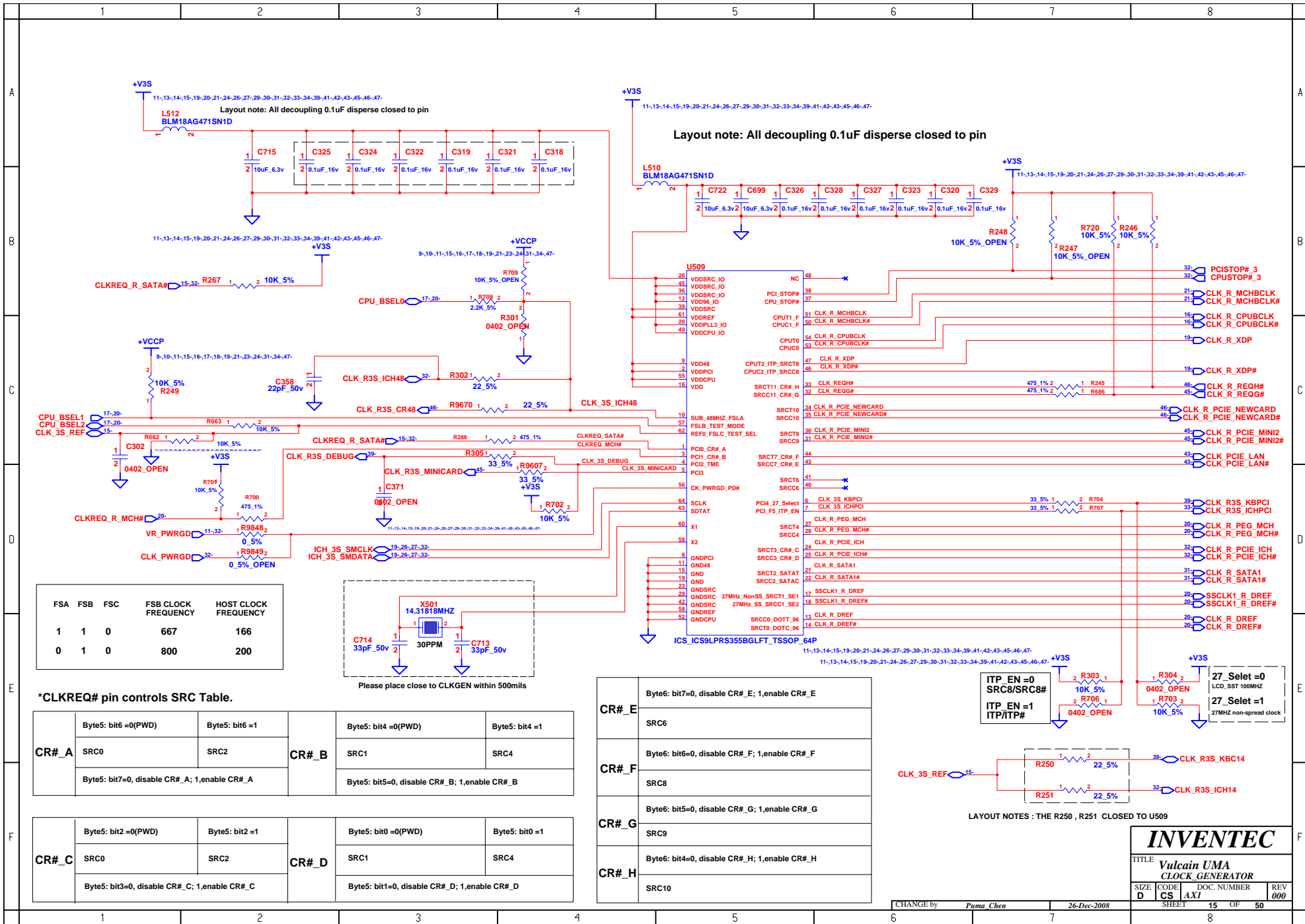
SHEET 13 OF 50



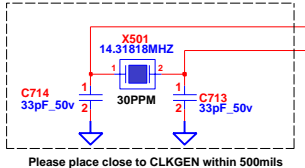
INVENTEC

| | | | |
|--------------------------------|------|-------------|-----|
| TITLE | | | |
| Vulcain UMA POWER(SEQUENCE) | | | |
| SIZE | CODE | DOC. NUMBER | REV |
| D | CS | AXI | 000 |

| | | | | | | |
|-----------|-----------|-------------|-------|----|----|----|
| CHANGE by | Puma Chen | 26-Dec-2008 | SHEET | 14 | OF | 50 |
|-----------|-----------|-------------|-------|----|----|----|



| FSA | FSB | FSC | FSB CLOCK FREQUENCY | HOST CLOCK FREQUENCY |
|-----|-----|-----|---------------------|----------------------|
| 1 | 1 | 0 | 667 | 166 |
| 0 | 1 | 0 | 800 | 200 |

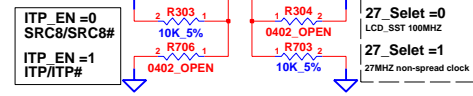


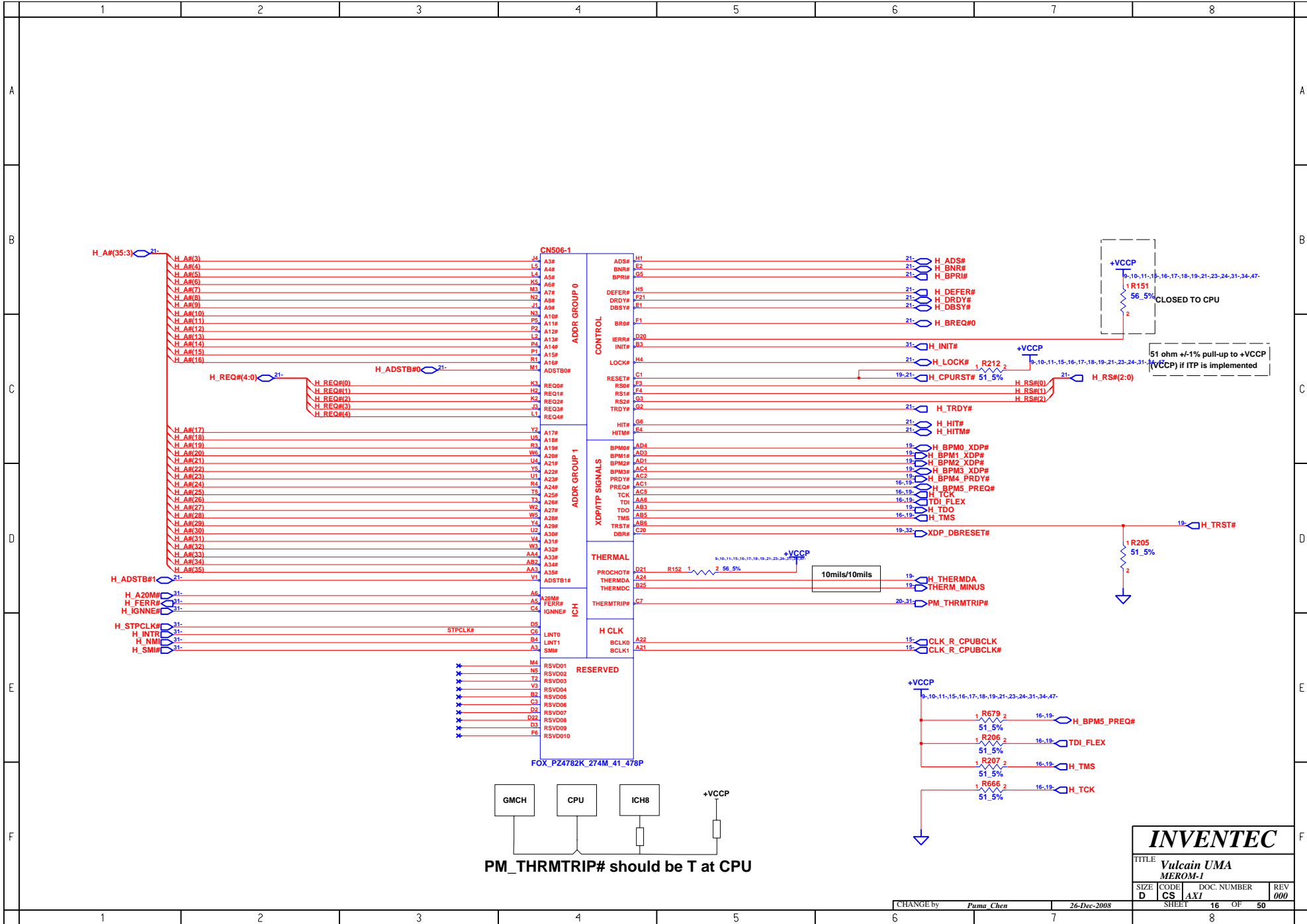
*CLKREQ# pin controls SRC Table.

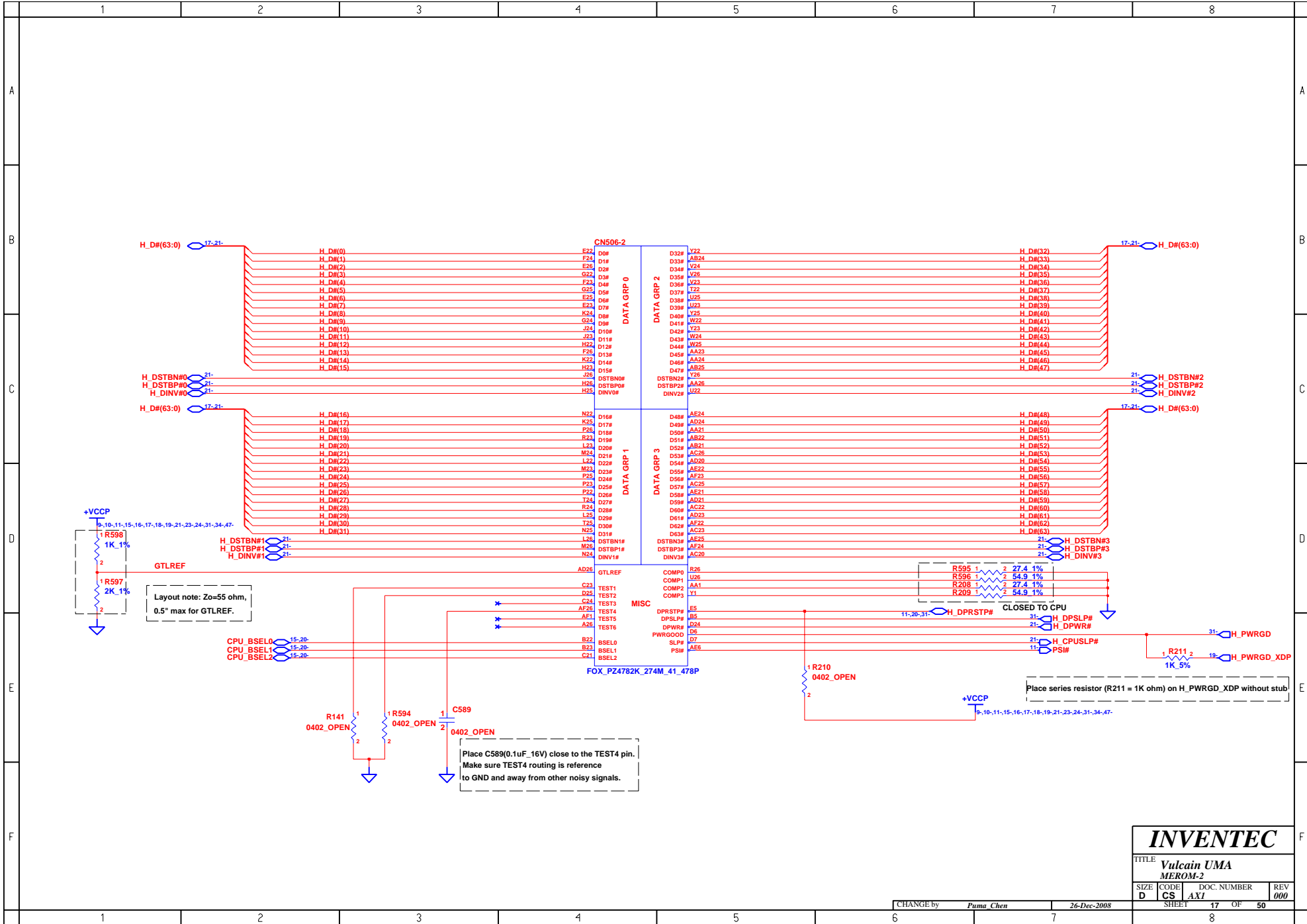
| CR#_A | Byte5: bit6 =0(PWD) | Byte5: bit6 =1 | CR#_B | Byte5: bit4 =0(PWD) | Byte5: bit4 =1 |
|--|---------------------|----------------|--|---------------------|----------------|
| | SRC0 | SRC2 | | SRC1 | SRC4 |
| Byte5: bit7=0, disable CR#_A; 1,enable CR#_A | | | Byte5: bit5=0, disable CR#_B; 1,enable CR#_B | | |

| CR#_C | Byte5: bit2 =0(PWD) | Byte5: bit2 =1 | CR#_D | Byte5: bit0 =0(PWD) | Byte5: bit0 =1 |
|--|---------------------|----------------|--|---------------------|----------------|
| | SRC0 | SRC2 | | SRC1 | SRC4 |
| Byte5: bit3=0, disable CR#_C; 1,enable CR#_C | | | Byte5: bit1=0, disable CR#_D; 1,enable CR#_D | | |

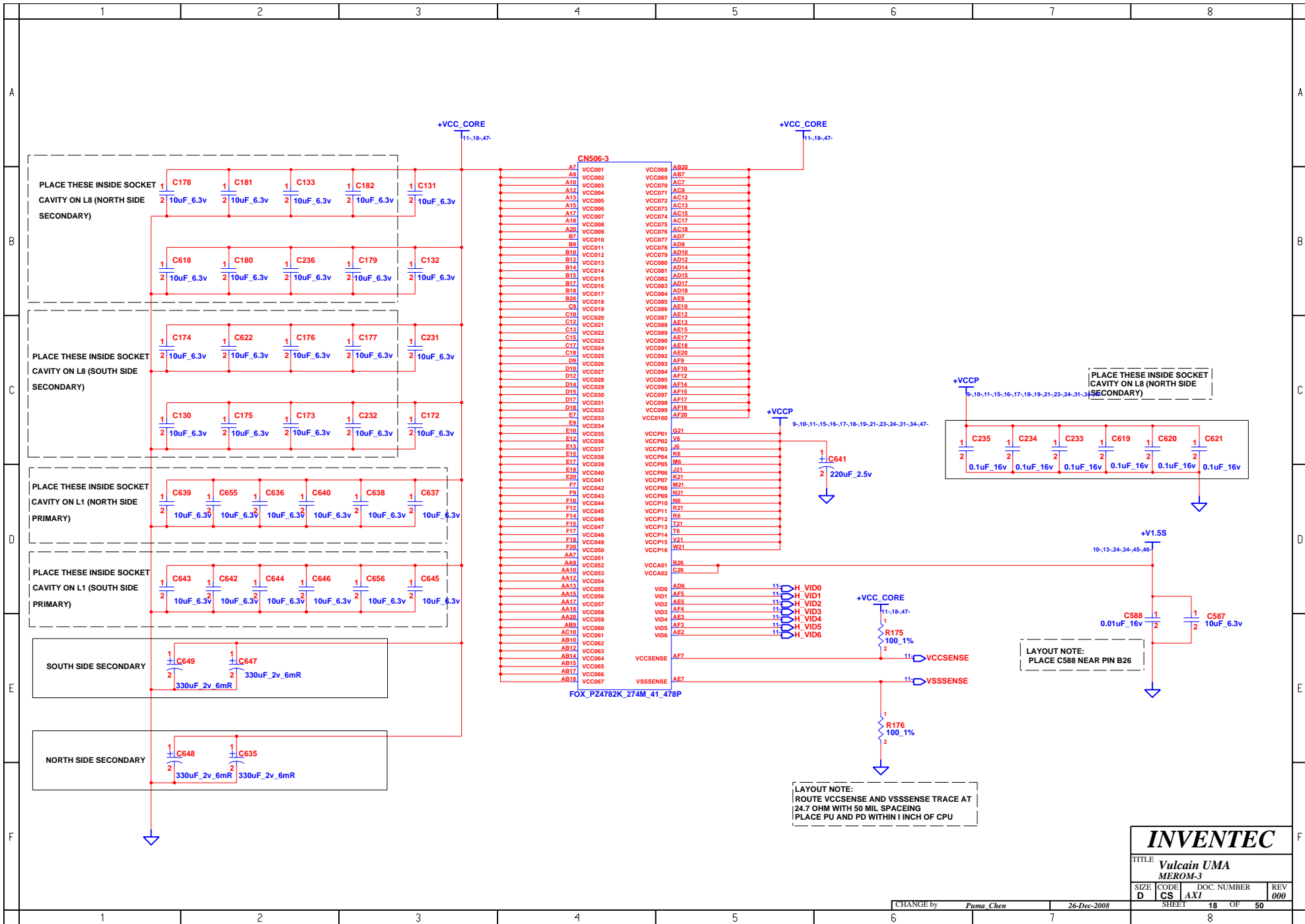
| | | |
|-------|--|-------|
| CR#_E | Byte6: bit7=0, disable CR#_E; 1,enable CR#_E | SRC6 |
| CR#_F | Byte6: bit6=0, disable CR#_F; 1,enable CR#_F | SRC8 |
| CR#_G | Byte6: bit5=0, disable CR#_G; 1,enable CR#_G | SRC9 |
| CR#_H | Byte6: bit4=0, disable CR#_H; 1,enable CR#_H | SRC10 |





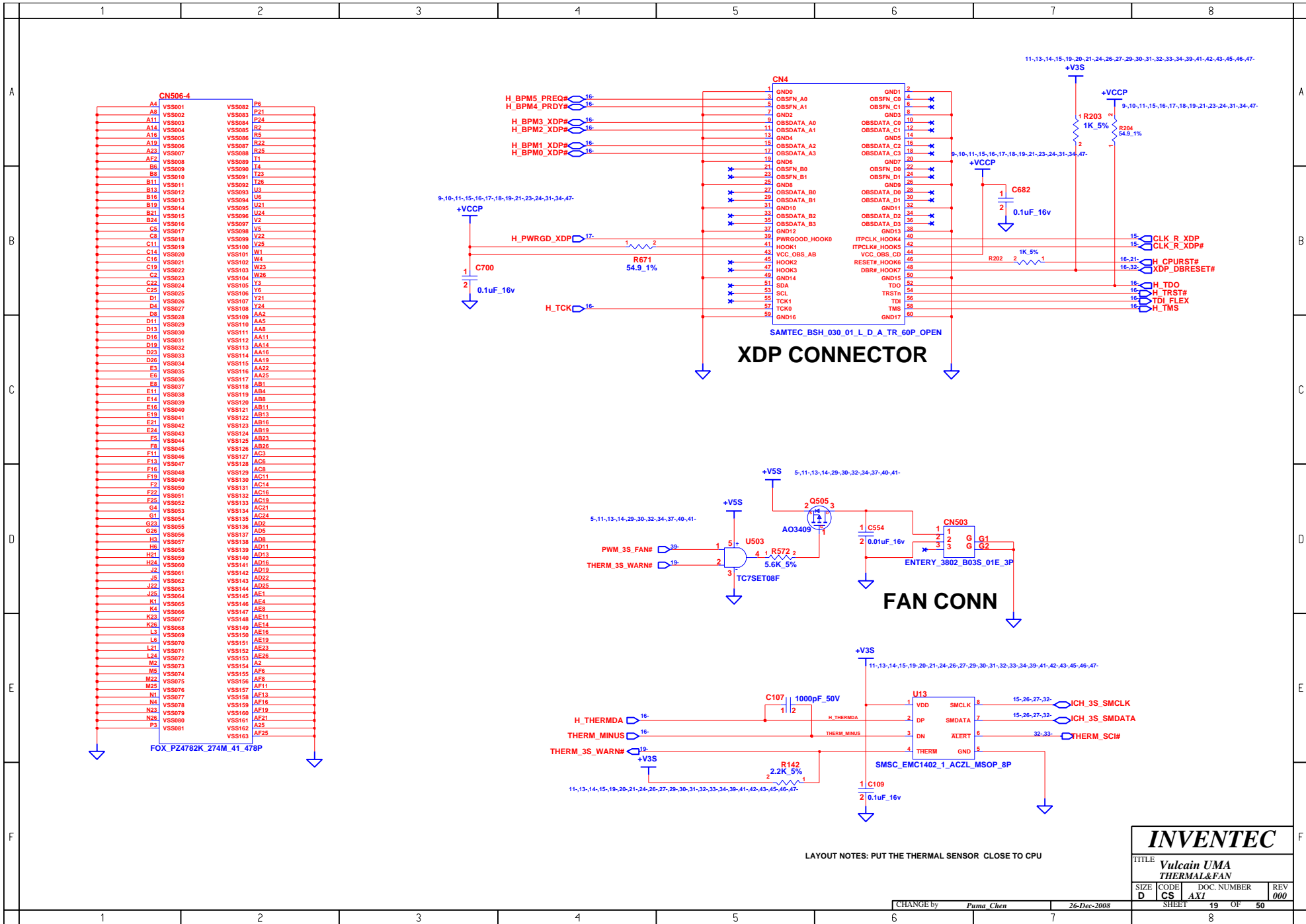


| | | | |
|---|-------------------|---------------------------|-------------------|
| INVENTEC | | | |
| TITLE Vulcain UMA MEROM-2 | | | |
| SIZE D | CODE CS | DOC. NUMBER AX1 | REV 000 |
| CHANGE by <i>Puma Chen</i> | | 26-Dec-2008 | |
| SHEET | | 17 | OF 50 |



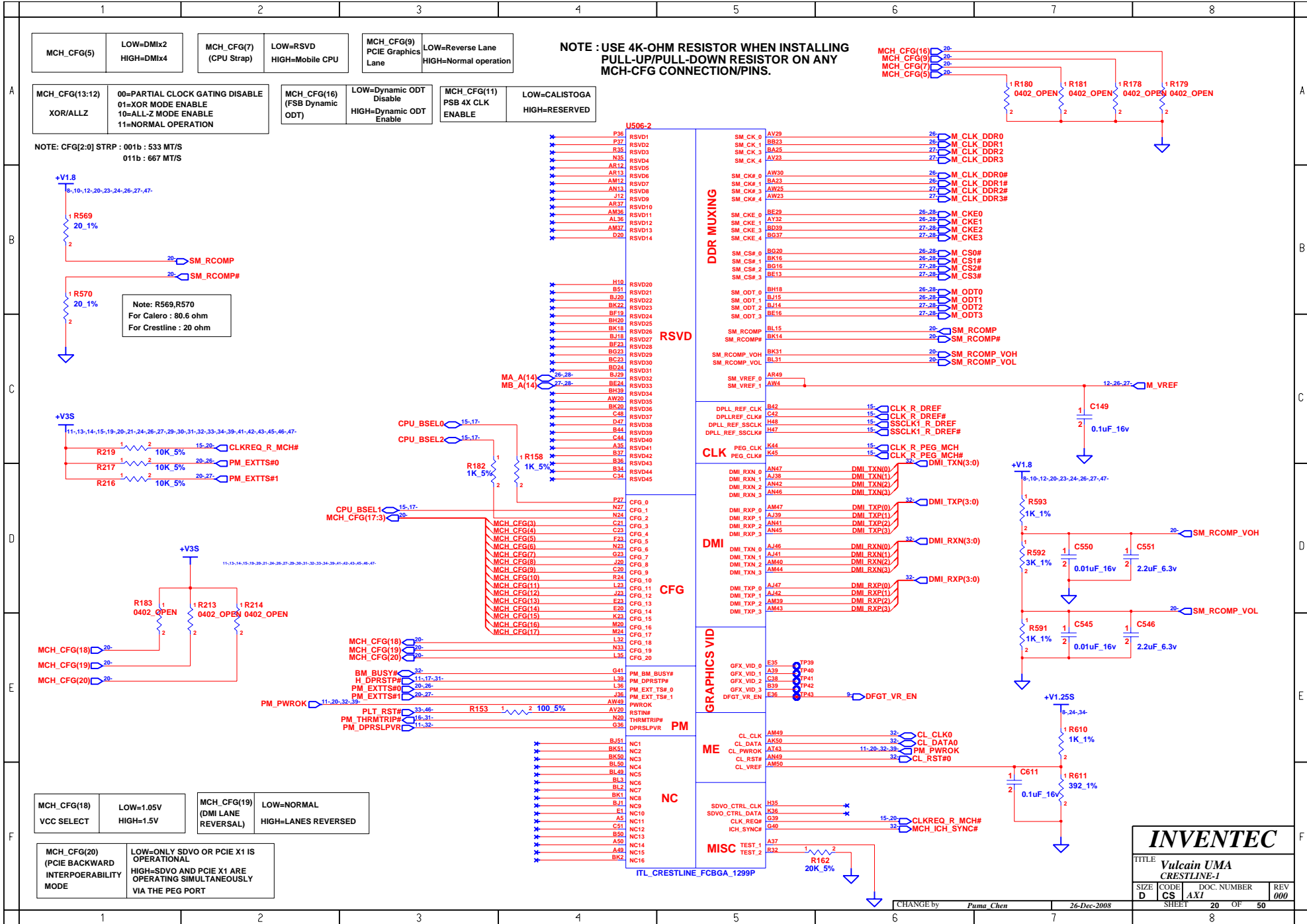
| | | | | |
|---------------------------|---------|-----------------|---------|----------------|
| INVENTEC | | | | |
| TITLE Vulcain UMA MEROM-3 | | | | |
| SIZE D | CODE CS | DOC. NUMBER AX1 | REV 000 | SHEET 18 OF 50 |

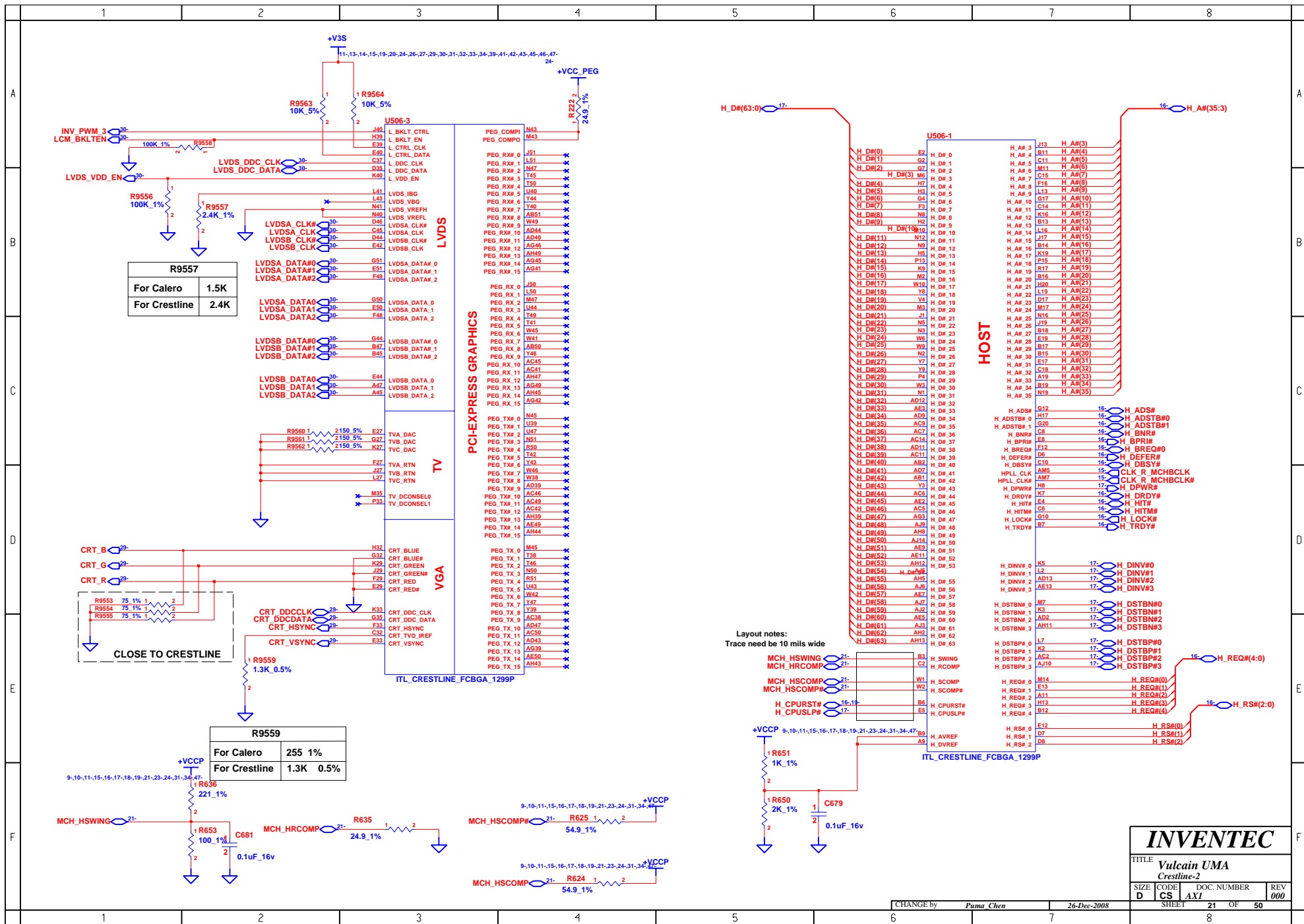
CHANGE by Puma Chen 26-Dec-2008



| | | | |
|---|----------|------------------|----------|
| INVENTEC | | | |
| TITLE: Vulcain UMA THERMAL&FAN | | | |
| SIZE: D | CODE: CS | DOC. NUMBER: AX1 | REV: 000 |
| CHANGE by: Puma Chen | | 26-Dec-2008 | |
| SHEET: 19 | | OF: 50 | |

LAYOUT NOTES: PUT THE THERMAL SENSOR CLOSE TO CPU

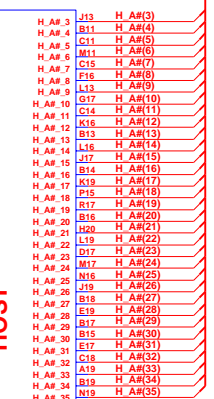
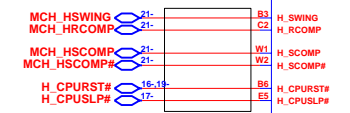




| R9557 | |
|---------------|------|
| For Calero | 1.5K |
| For Crestline | 2.4K |

| R9559 | |
|---------------|-----------|
| For Calero | 255 1% |
| For Crestline | 1.3K 0.5% |

Layout notes:
Trace need be 10 mils wide



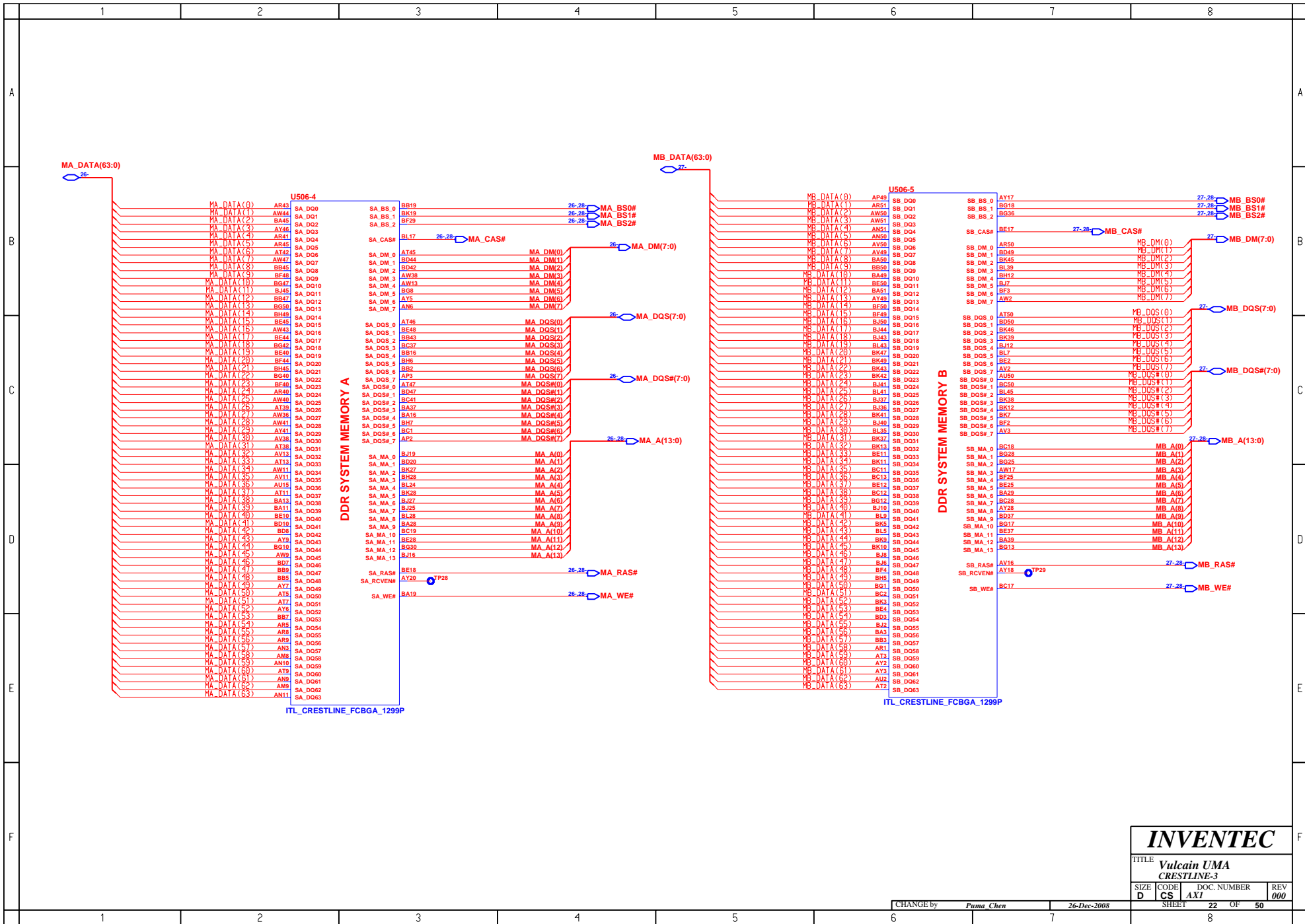
INVENTEC

TITLE: **Vulcain UMA Crestline-2**

| | | | |
|------|------|-------------|-----|
| SIZE | CODE | DOC. NUMBER | REV |
| D | CS | AX1 | 000 |

CHANGE by: *Puma Chen* 26-Dec-2008

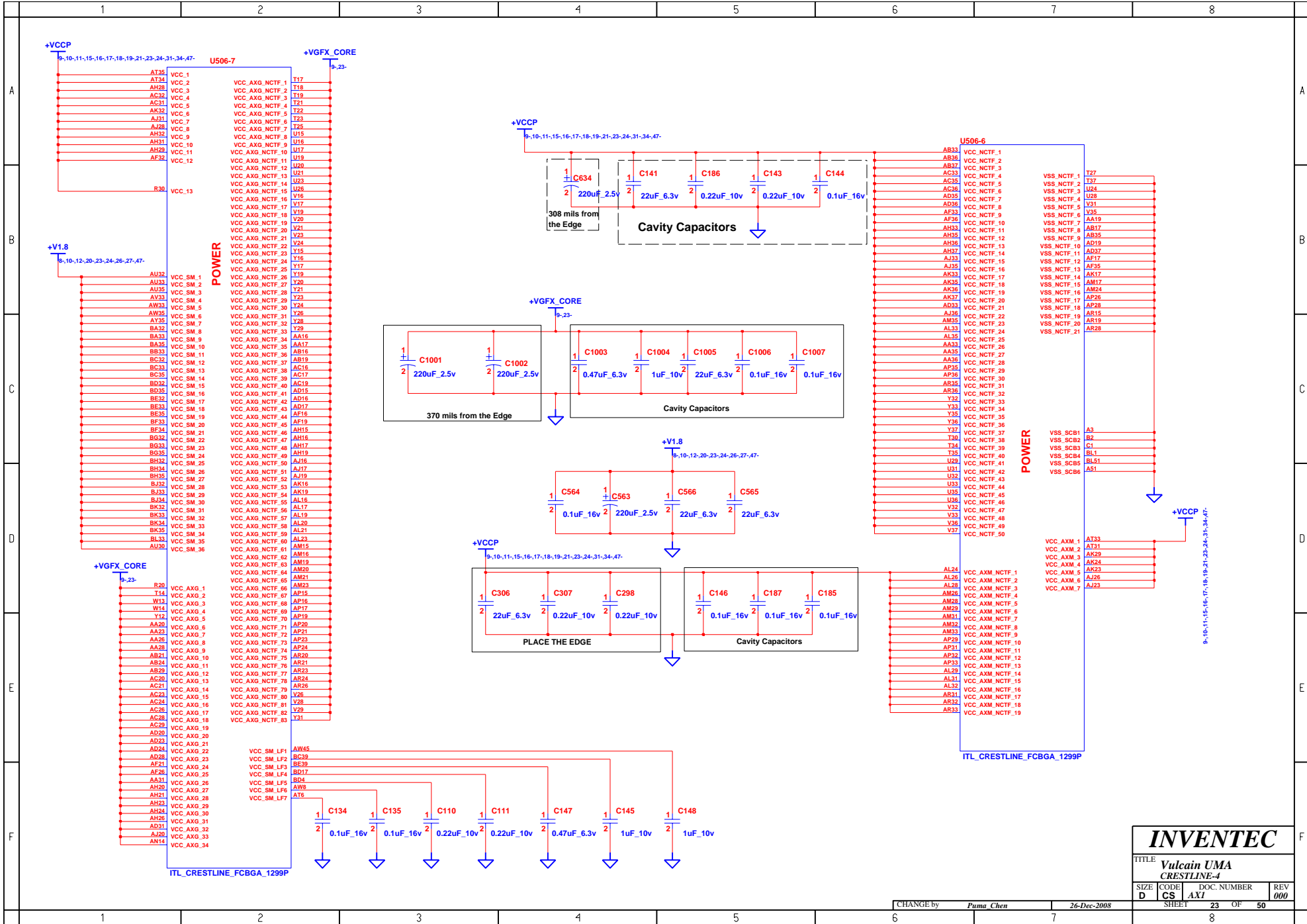
SHEET 21 OF 50



INVENTEC

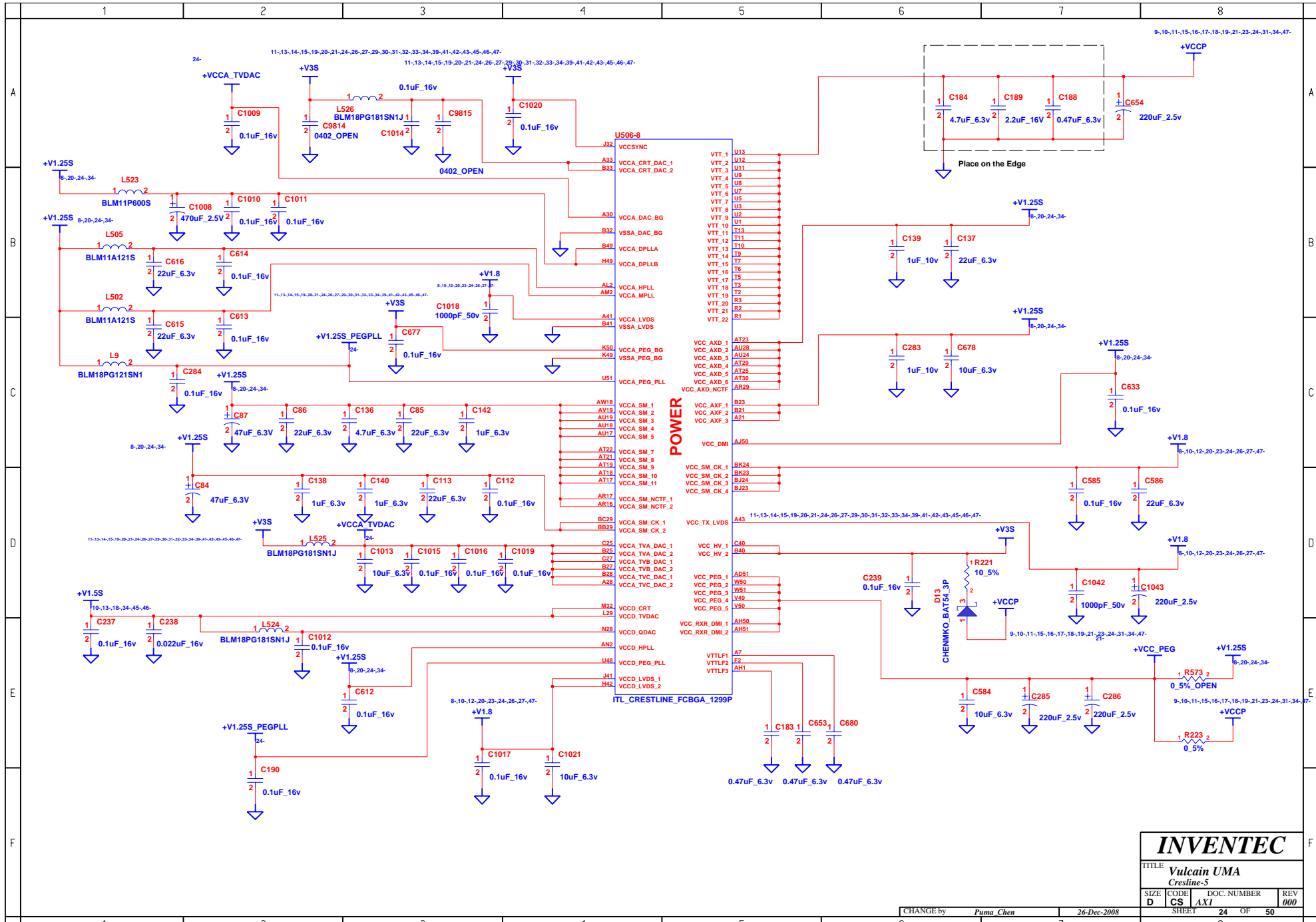
TITLE
Vulcain UMA
CRESTLINE-3

| | | | |
|-------------------------------|-------------------|---------------------------|-------------------|
| SIZE D | CODE CS | DOC. NUMBER AX1 | REV 000 |
| CHANGE by <i>Puma Chen</i> | | 26-Dec-2008 | |
| SHEET 22 | | OF 50 | |



| | | | |
|---|-------------------|---------------------------|-------------------|
| INVENTEC | | | |
| TITLE Vulcain UMA CRESTLINE-4 | | | |
| SIZE D | CODE CS | DOC. NUMBER AX1 | REV 000 |
| SHEET | | 23 OF | 50 |

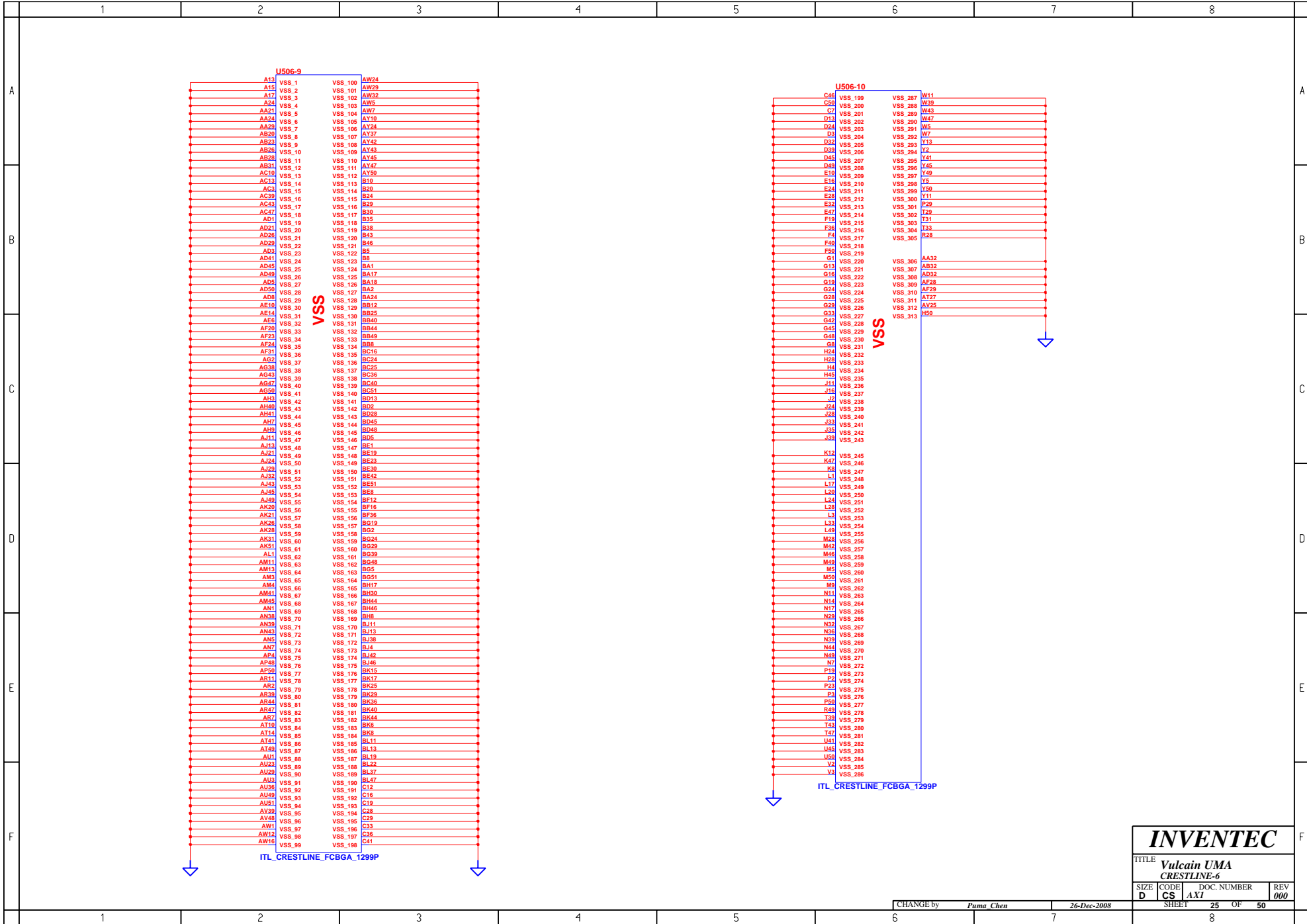
CHANGE by *Puma Chen* 26-Dec-2008



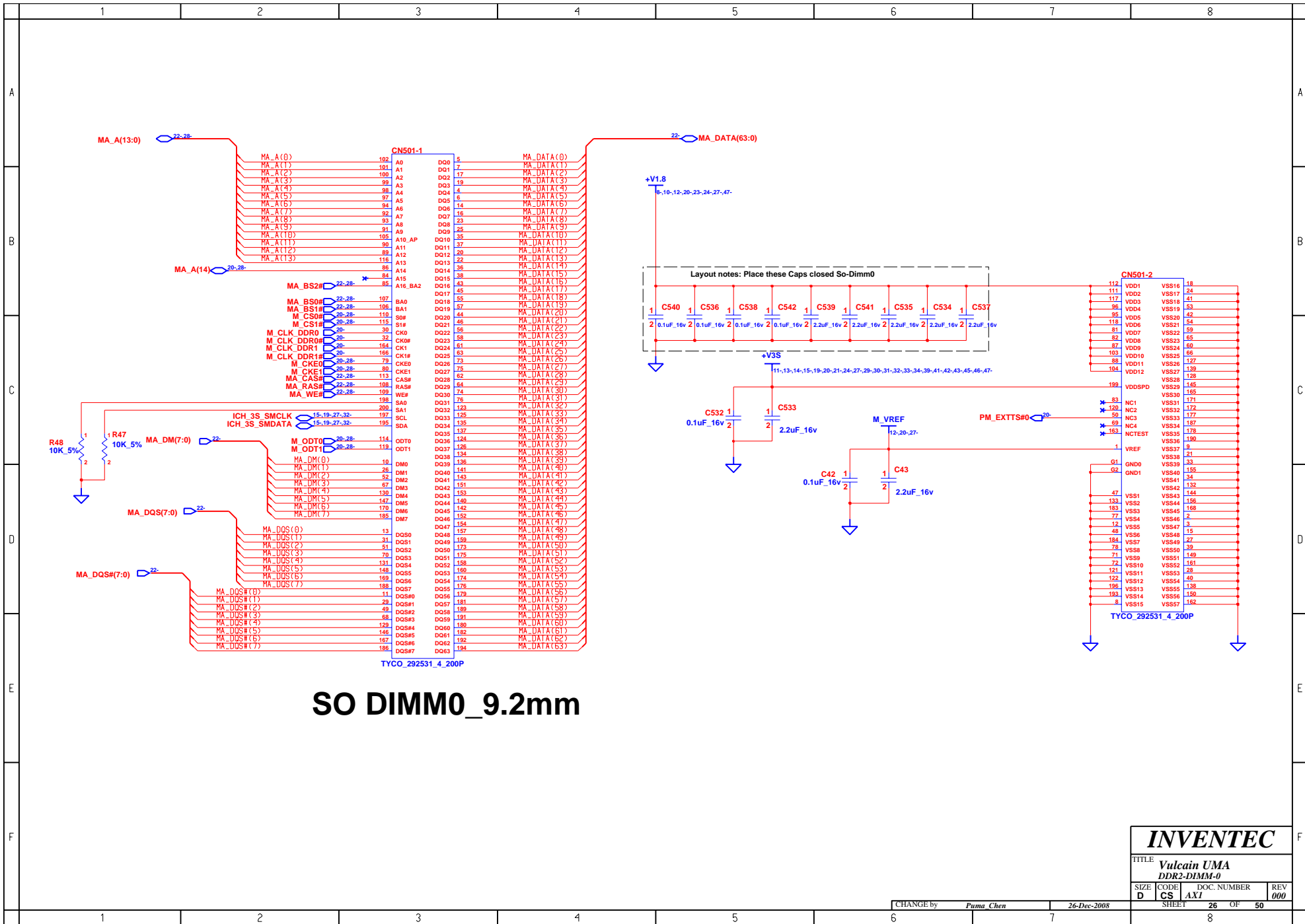
INVENTEC

TITLE
Vulcain UMA
 Crestline-5

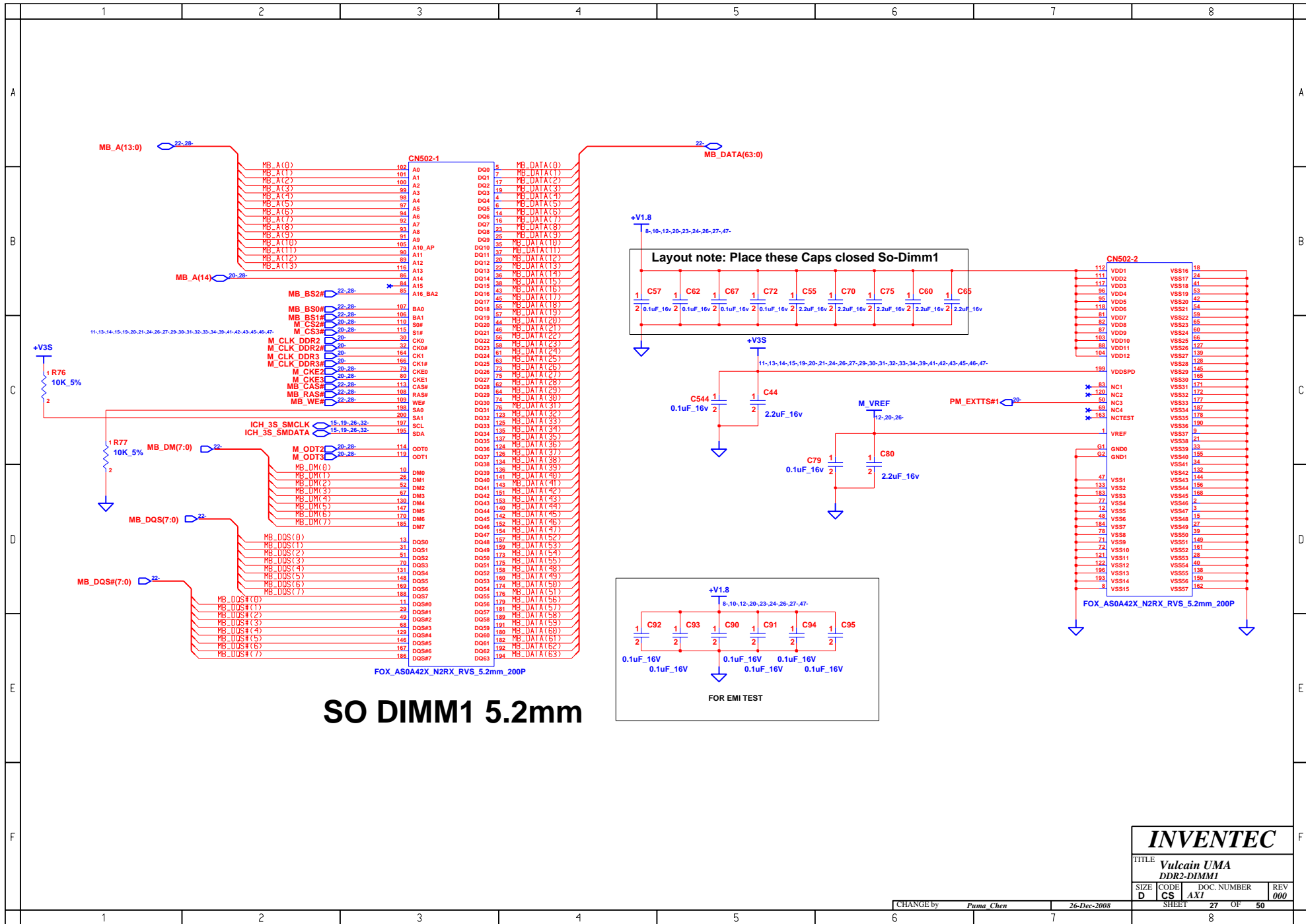
| SIZE | CODE | CS | DOC. NUMBER | REV |
|------|------|-----|-------------|-----|
| D | CS | AX1 | | 000 |



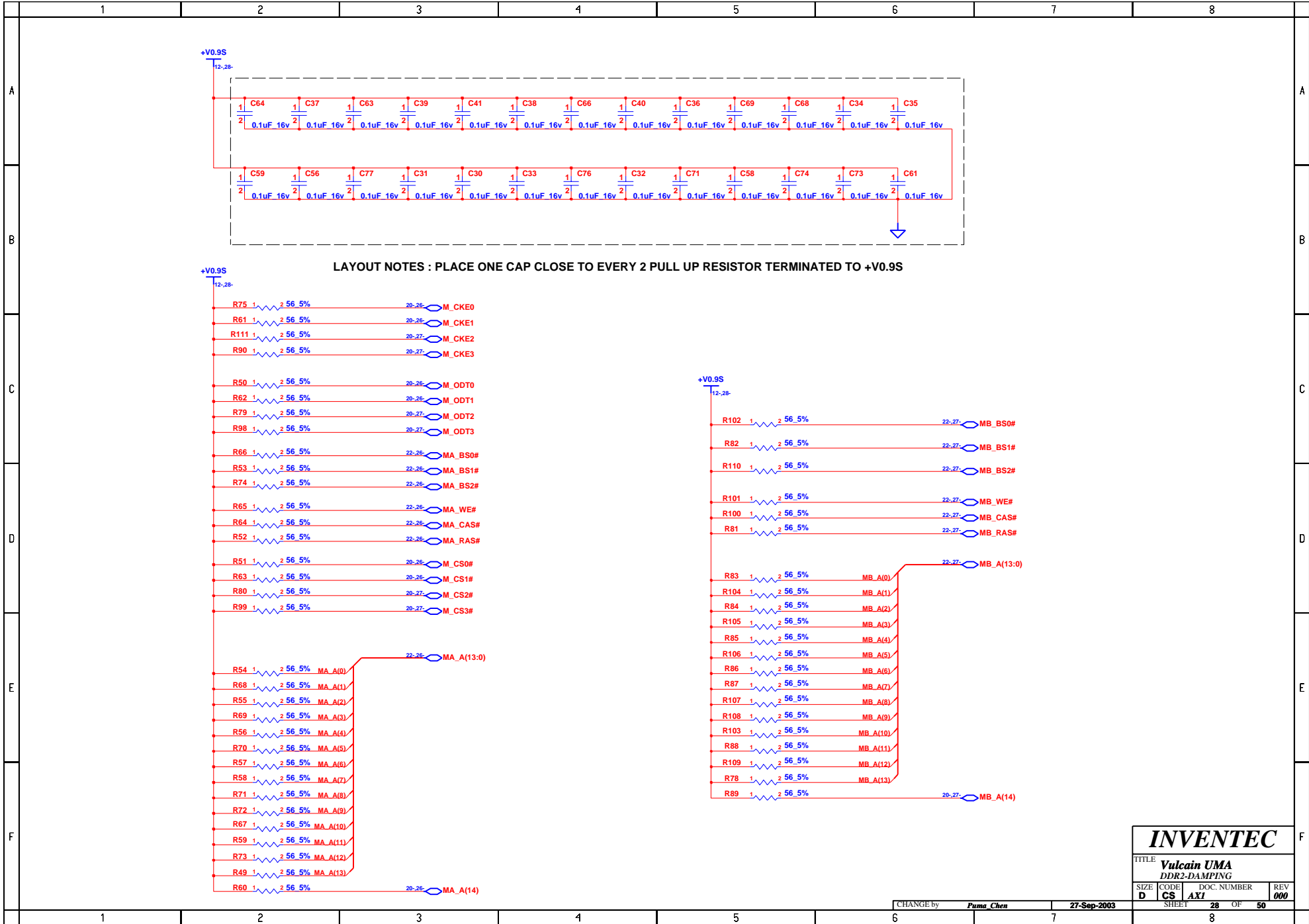
| | | | |
|---|-------------------|---------------------------|-------------------|
| INVENTEC | | | |
| TITLE Vulcain UMA CRESTLINE-6 | | | |
| SIZE D | CODE CS | DOC. NUMBER AX1 | REV 000 |
| CHANGE by <i>Puma Chen</i> | | 26-Dec-2008 | |
| SHEET | | 25 | OF 50 |



| | | | | |
|-------------------------------------|------------|--------------------|----------------|--|
| INVENTEC | | | | |
| TITLE Vulcain UMA DDR2-DIMM-0 | | | | |
| SIZE D | CODE CS | DOC. NUMBER AX1 | REV 000 | |
| CHANGE by Puma Chen 26-Dec-2008 | | | SHEET 26 OF 50 | |



| | | | | |
|--|------------|--------------------|-------------|--|
| INVENTEC | | | | |
| TITLE Vulcain UMA DDR2-DIMM1 | | | | |
| SIZE D | CODE CS | DOC. NUMBER AX1 | REV 000 | |
| CHANGE by <i>Puma Chen</i> | | | 26-Dec-2008 | |
| SHEET 27 OF 50 | | | | |



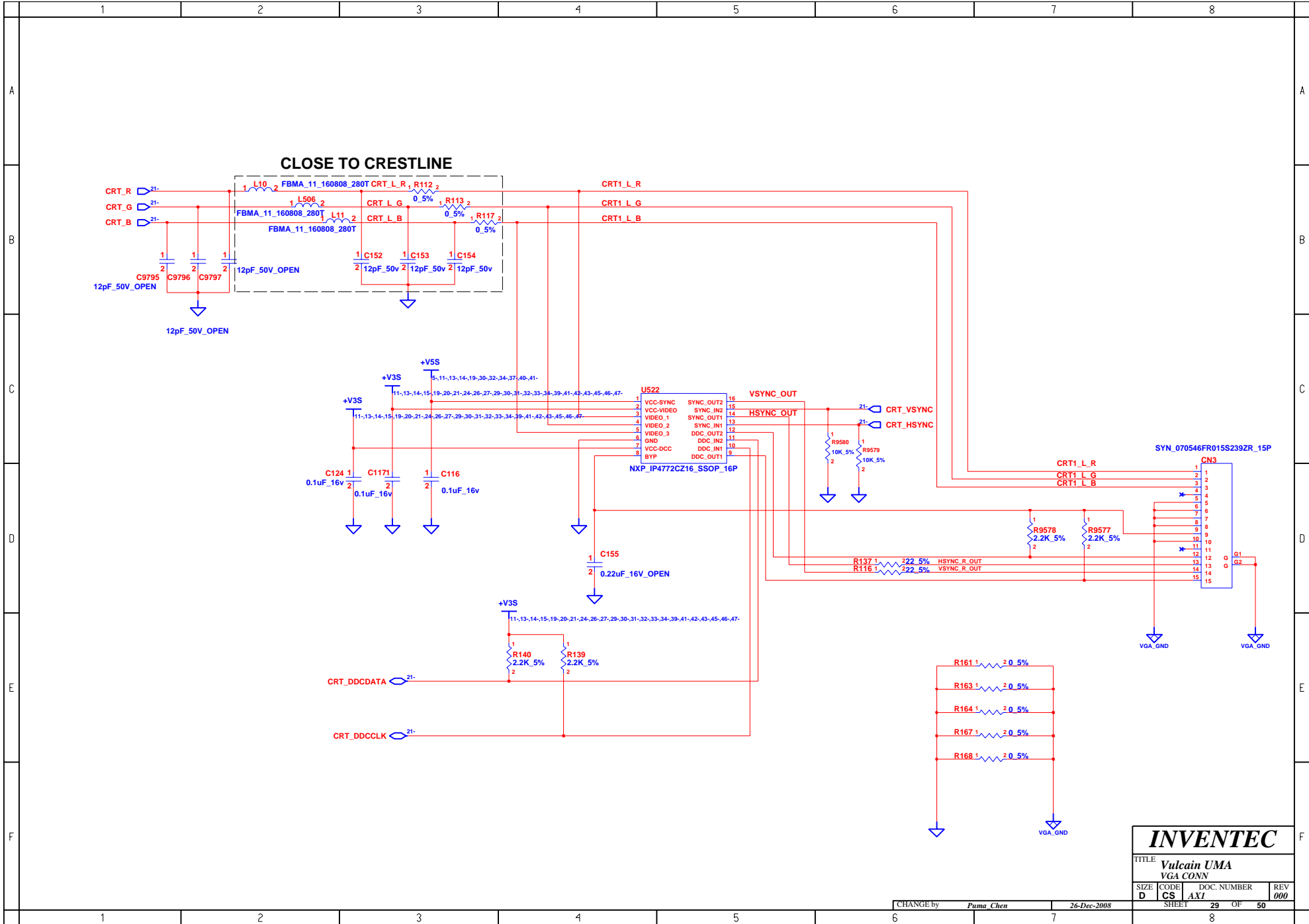
LAYOUT NOTES : PLACE ONE CAP CLOSE TO EVERY 2 PULL UP RESISTOR TERMINATED TO +V0.9S

INVENTEC

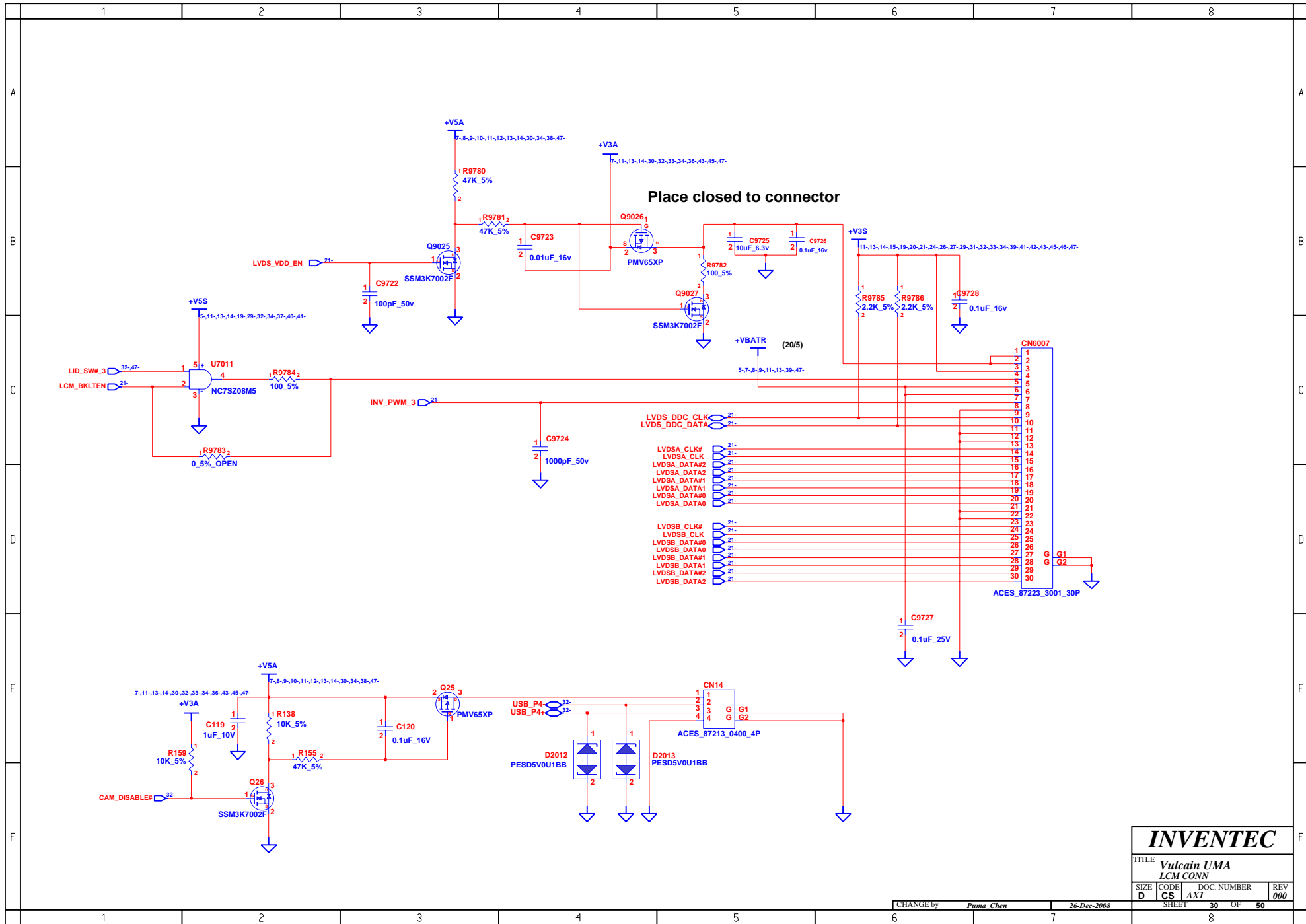
TITLE
Vulcain UMA
 DDR2-DAMPING

| | | | |
|------------------|-------------------|---------------------------|-------------------|
| SIZE D | CODE CS | DOC. NUMBER AXI | REV 000 |
| SHEET | | 28 OF | 50 |

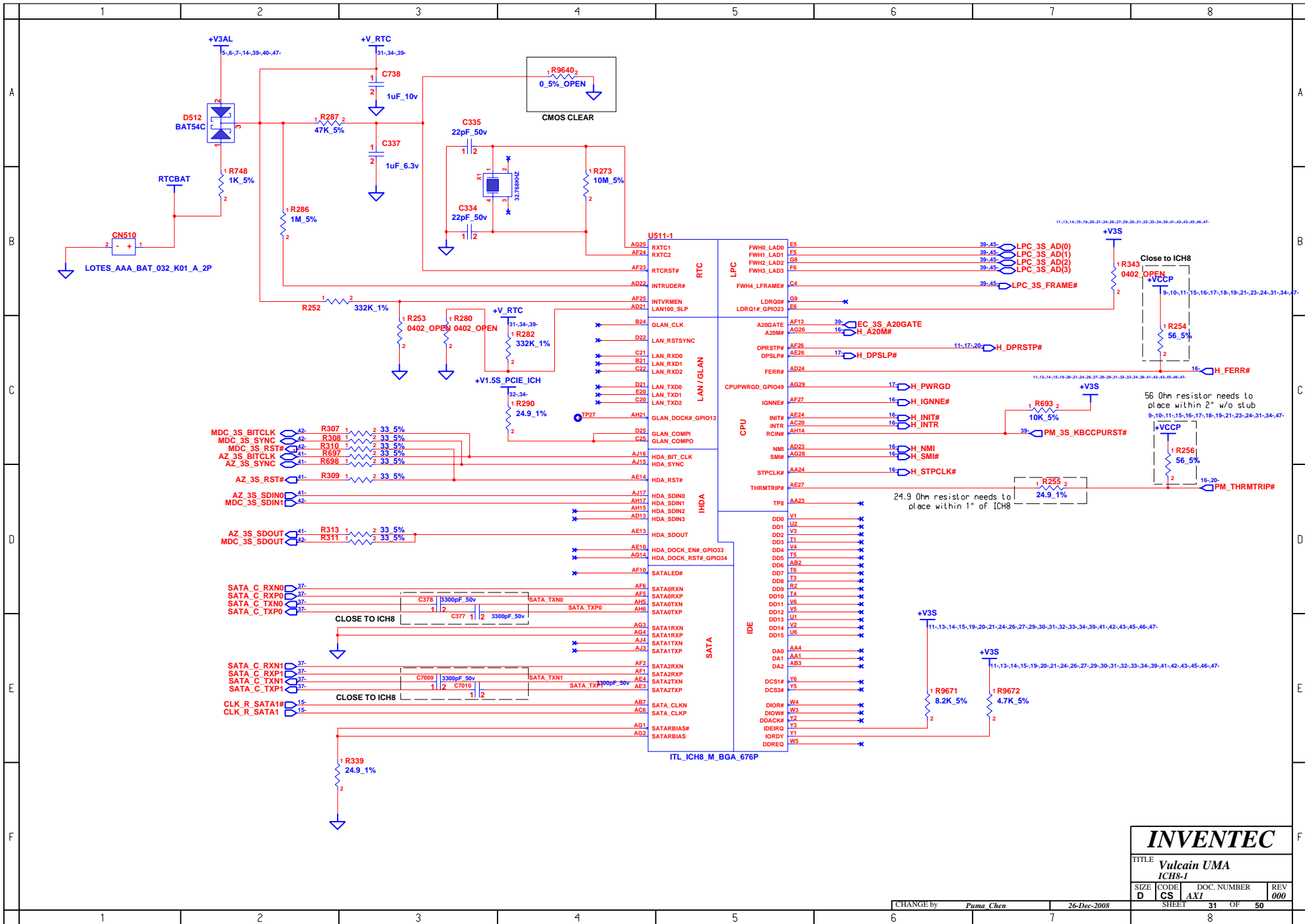
CHANGE by *Puma Chen* 27-Sep-2003



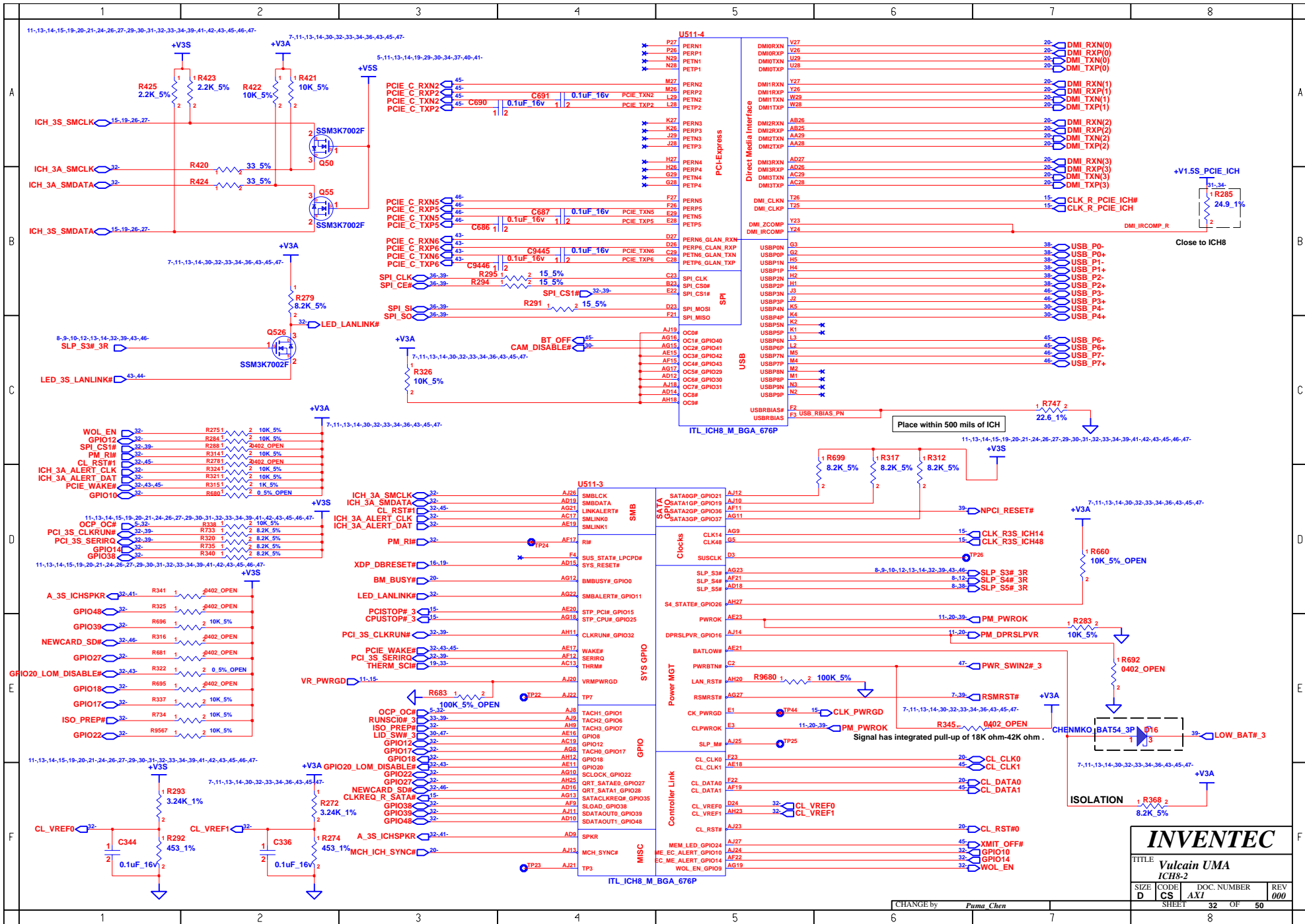
| | | | |
|-----------------------------|------------|--------------------|------------|
| INVENTEC | | | |
| TITLE Vulcain UMA | | | |
| VGA CONN | | | |
| SIZE D | CODE CS | DOC. NUMBER AXI | REV 000 |
| CHANGE by Puma Chen | | 26-Dec-2008 | |
| SHEET | | 29 OF 50 | |
| 1 | | 8 | |



| | | | |
|--|-------------------|---------------------------|-------------------|
| INVENTEC | | | |
| TITLE Vulcain UMA LCM CONN | | | |
| SIZE D | CODE CS | DOC. NUMBER AX1 | REV 000 |
| CHANGE by <i>Puma Chen</i> | | 26-Dec-2008 | |
| SHEET | | 30 OF 50 | |
| | | 8 | |



| | | | |
|--------------------------------|------------|--------------------|------------|
| INVENTEC | | | |
| TITLE Vulcain UMA ICH8-1 | | | |
| SIZE D | CODE CS | DOC. NUMBER AXI | REV 000 |
| CHANGE by Puma Chen | | 26-Dec-2008 | |
| SHEET 31 | | OF 50 | |

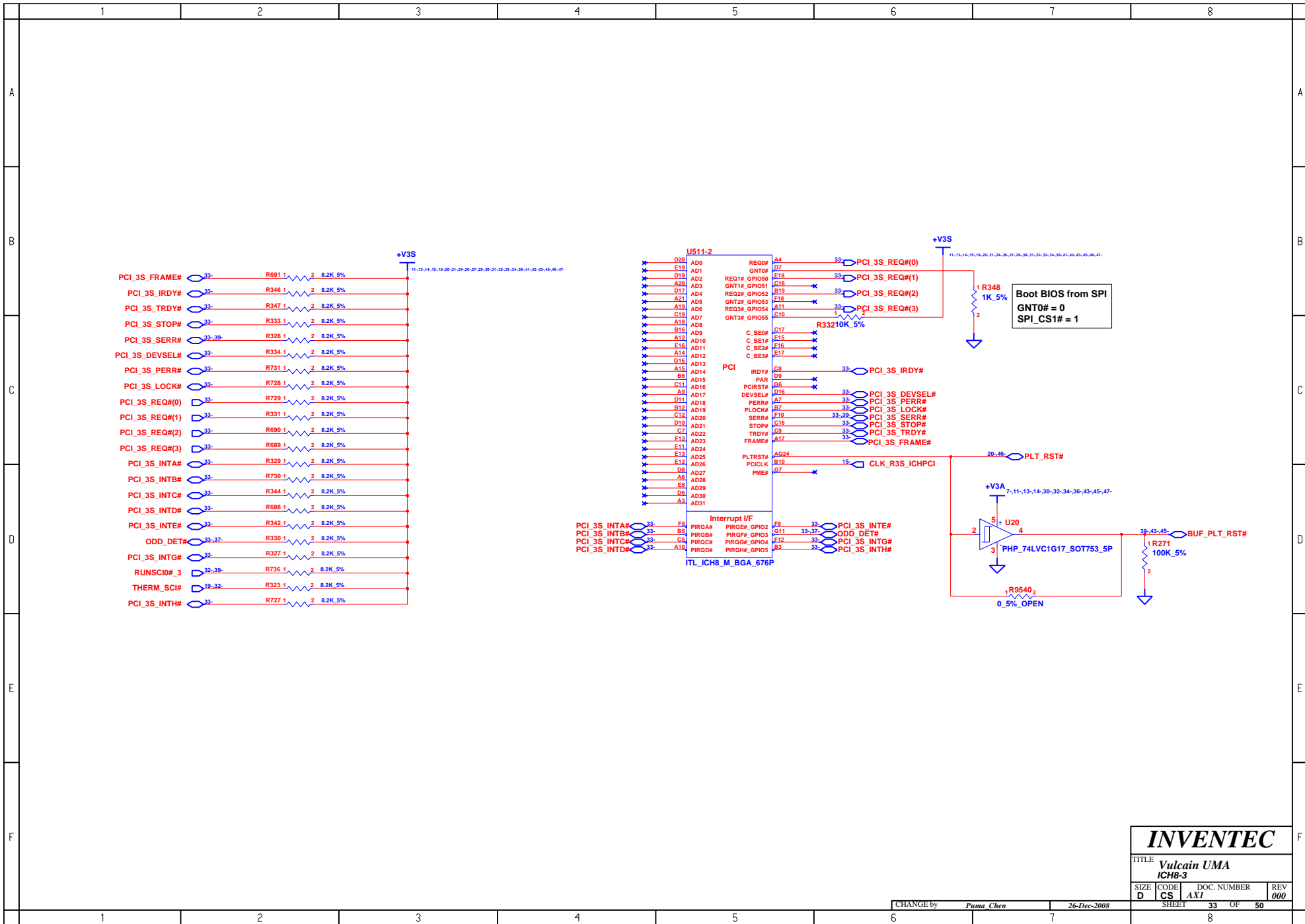


INVENTEC

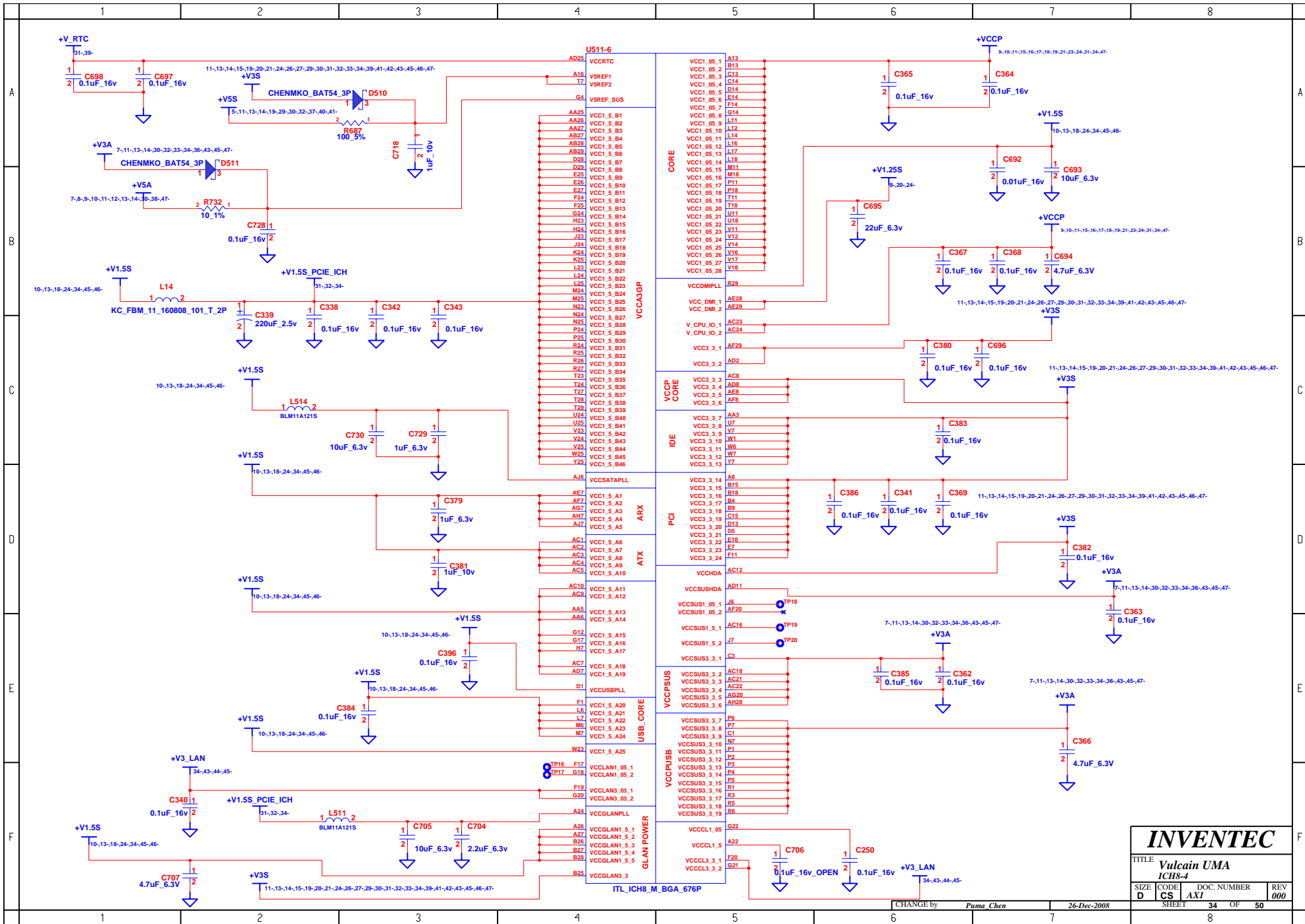
TITLE: Vulcain UMA ICH8-2

| | | | |
|----------|---------|-----------------|---------|
| SIZE D | CODE CS | DOC. NUMBER AX1 | REV 000 |
| SHEET 32 | | OF 50 | |

CHANGE by Puma Chen



| | | | |
|---------------------------------|----------------|------------------------|----------------|
| INVENTEC | | | |
| TITLE Vulcain UMA ICH8-3 | | | |
| SIZE D | CODE CS | DOC. NUMBER AXI | REV 000 |
| CHANGE by <i>Puma Chen</i> | | 26-Dec-2008 | |
| SHEET | | 33 OF | 50 |
| 1 | | 8 | |



| | | | |
|--|------|-------------|-----|
| INVENTEC | | | |
| TITLE Vulcain UMA ICH8-4 | | | |
| SIZE | CODE | DOC. NUMBER | REV |
| D | CS | AXI | 000 |
| SHEET | | 34 OF | 50 |

CHANGE by *Puma Chen* 26-Dec-2008

| | | | | | | | | | |
|---|---|---|---|---|---|---|---|---|---|
| | 1 | 2 | 3 | 4 | 5 | 6 | 7 | 8 | |
| A | | | | | | | | | A |
| B | | | | | | | | | B |
| C | | | | | | | | | C |
| D | | | | | | | | | D |
| E | | | | | | | | | E |
| F | | | | | | | | | F |

US11-5

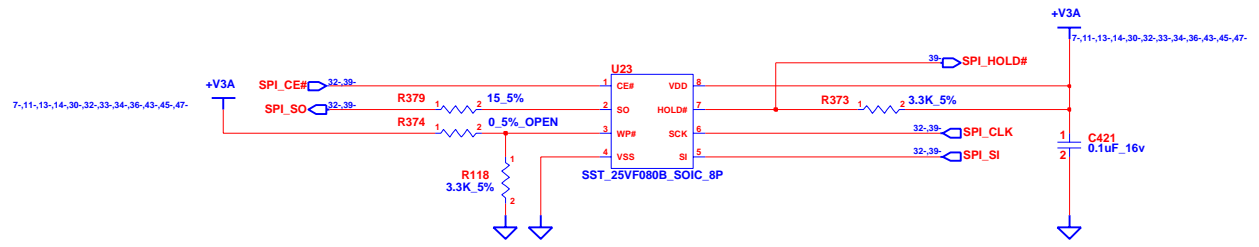
| | | | |
|------|--------|-------------|------|
| A23 | VSS001 | VSS099 | K7 |
| AA | VSS002 | VSS100 | L1 |
| AA2 | VSS003 | VSS101 | L13 |
| AA7 | VSS004 | VSS102 | L15 |
| AA8 | VSS005 | VSS103 | L26 |
| AB1 | VSS006 | VSS104 | L27 |
| AB24 | VSS007 | VSS105 | L4 |
| AC11 | VSS008 | VSS106 | L5 |
| AC14 | VSS009 | VSS107 | M2 |
| AC25 | VSS010 | VSS108 | M13 |
| AC28 | VSS011 | VSS109 | M14 |
| AC27 | VSS012 | VSS110 | M15 |
| AD17 | VSS013 | VSS111 | M16 |
| AD20 | VSS014 | VSS112 | M17 |
| AD28 | VSS015 | VSS113 | M23 |
| AD29 | VSS016 | VSS114 | M28 |
| AD3 | VSS017 | VSS115 | M29 |
| AD4 | VSS018 | VSS116 | M3 |
| AD6 | VSS019 | VSS117 | N1 |
| AE1 | VSS020 | VSS118 | N11 |
| AE12 | VSS021 | VSS119 | N12 |
| AE2 | VSS022 | VSS120 | N13 |
| AE22 | VSS023 | VSS121 | N14 |
| AD1 | VSS024 | VSS122 | N15 |
| AE26 | VSS025 | VSS123 | N16 |
| AE5 | VSS026 | VSS124 | N17 |
| AE6 | VSS027 | VSS125 | N18 |
| AE9 | VSS028 | VSS126 | N29 |
| AF14 | VSS029 | VSS127 | N27 |
| AF16 | VSS030 | VSS128 | N4 |
| AF18 | VSS031 | VSS129 | N5 |
| AF3 | VSS032 | VSS130 | N6 |
| AF4 | VSS033 | VSS131 | P12 |
| AG5 | VSS034 | VSS132 | P13 |
| AG6 | VSS035 | VSS133 | P14 |
| AH10 | VSS036 | VSS134 | P15 |
| AH13 | VSS037 | VSS135 | P16 |
| AH16 | VSS038 | VSS136 | P17 |
| AH19 | VSS039 | VSS137 | P23 |
| AM2 | VSS040 | VSS138 | P28 |
| AF28 | VSS041 | VSS139 | P29 |
| AH22 | VSS042 | VSS140 | R11 |
| AH24 | VSS043 | VSS141 | R12 |
| AH26 | VSS044 | VSS142 | R13 |
| AH3 | VSS045 | VSS143 | R14 |
| AH4 | VSS046 | VSS144 | R15 |
| AH8 | VSS047 | VSS145 | R16 |
| AJ5 | VSS048 | VSS146 | R17 |
| B11 | VSS049 | VSS147 | R18 |
| B14 | VSS050 | VSS148 | R28 |
| B17 | VSS051 | VSS149 | R4 |
| B2 | VSS052 | VSS150 | T12 |
| B20 | VSS053 | VSS151 | T13 |
| B22 | VSS054 | VSS152 | T14 |
| B6 | VSS055 | VSS153 | T15 |
| C24 | VSS056 | VSS154 | T16 |
| C28 | VSS057 | VSS155 | T17 |
| C27 | VSS058 | VSS156 | T2 |
| C6 | VSS059 | VSS157 | U12 |
| D12 | VSS060 | VSS158 | U13 |
| D15 | VSS061 | VSS159 | U14 |
| D18 | VSS062 | VSS160 | U15 |
| D2 | VSS063 | VSS161 | U16 |
| D4 | VSS064 | VSS162 | U17 |
| E21 | VSS065 | VSS163 | U23 |
| E24 | VSS066 | VSS164 | U26 |
| E4 | VSS067 | VSS165 | U27 |
| E9 | VSS068 | VSS166 | U3 |
| F15 | VSS069 | VSS167 | U5 |
| E24 | VSS070 | VSS168 | V13 |
| F28 | VSS071 | VSS169 | V15 |
| F28 | VSS072 | VSS170 | V28 |
| F7 | VSS073 | VSS171 | V29 |
| G1 | VSS074 | VSS172 | W2 |
| E2 | VSS075 | VSS173 | W26 |
| G10 | VSS076 | VSS174 | W27 |
| G13 | VSS077 | VSS175 | Y28 |
| G19 | VSS078 | VSS176 | Y29 |
| G23 | VSS079 | VSS177 | Y4 |
| G25 | VSS080 | VSS178 | AB4 |
| G26 | VSS081 | VSS179 | AB23 |
| G27 | VSS082 | VSS180 | AB5 |
| H25 | VSS083 | VSS181 | AB6 |
| H28 | VSS084 | VSS182 | AD5 |
| H29 | VSS085 | VSS183 | U2 |
| H3 | VSS086 | VSS184 | W24 |
| H6 | VSS087 | VSS_NCTF_01 | A1 |
| J1 | VSS088 | VSS_NCTF_02 | A2 |
| J26 | VSS089 | VSS_NCTF_03 | A28 |
| J26 | VSS090 | VSS_NCTF_04 | A29 |
| J27 | VSS091 | VSS_NCTF_05 | AH1 |
| J4 | VSS092 | VSS_NCTF_06 | AH29 |
| J5 | VSS093 | VSS_NCTF_07 | AJ1 |
| K23 | VSS094 | VSS_NCTF_08 | AJ2 |
| K28 | VSS095 | VSS_NCTF_09 | AJ28 |
| K29 | VSS096 | VSS_NCTF_10 | AJ29 |
| K3 | VSS097 | VSS_NCTF_11 | B1 |
| K6 | VSS098 | VSS_NCTF_12 | B29 |

ITL_ICH8_M_BGA_676P

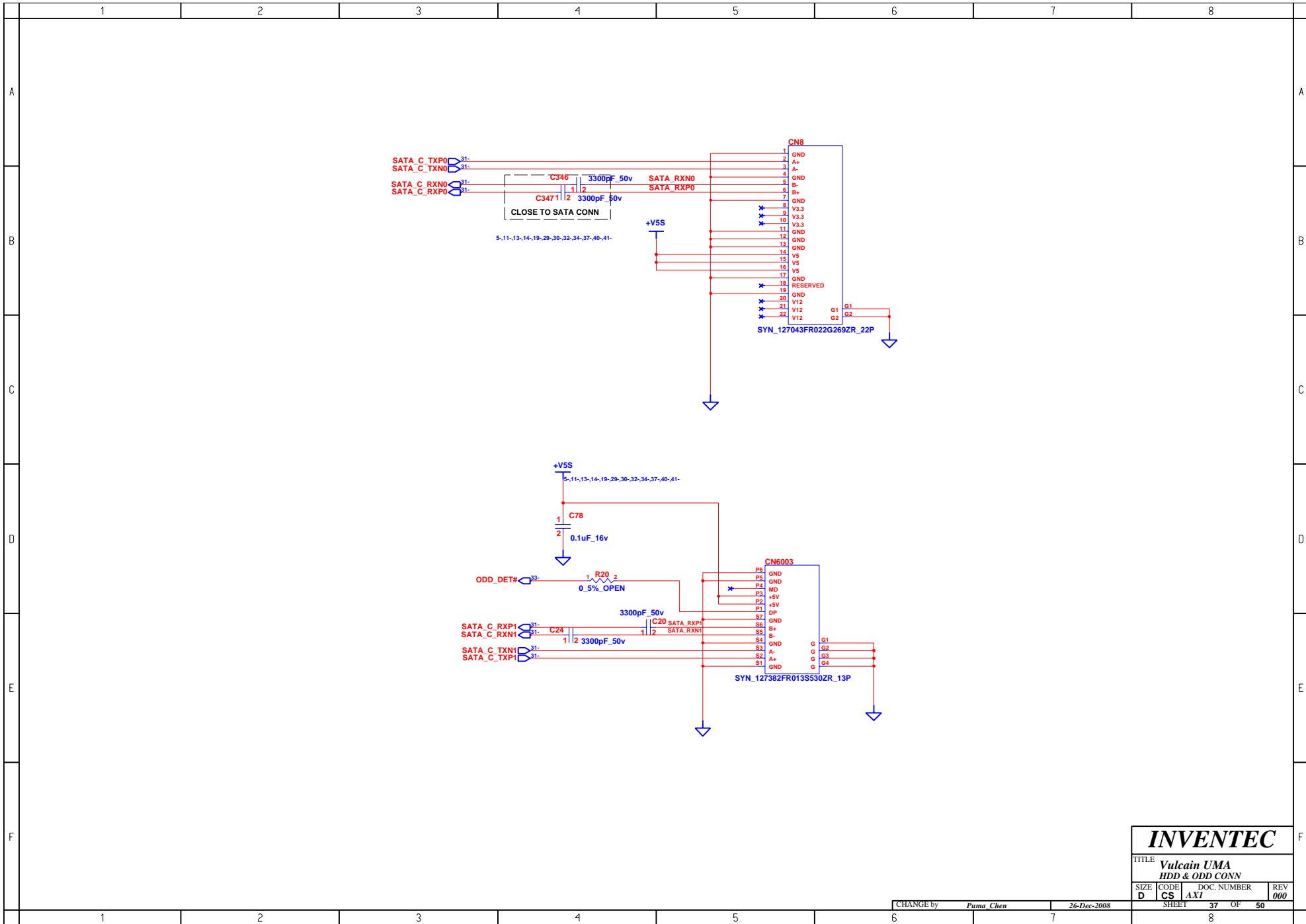
INVENTEC

| | | | |
|-------------|------|-------------|-----|
| TITLE | | | |
| Vulcain UMA | | | |
| ICH8-5 | | | |
| SIZE | CODE | DOC. NUMBER | REV |
| D | CS | AX1 | 000 |
| SHEET | | 35 OF | 50 |

CHANGE by Puma Chen 26-Dec-2008



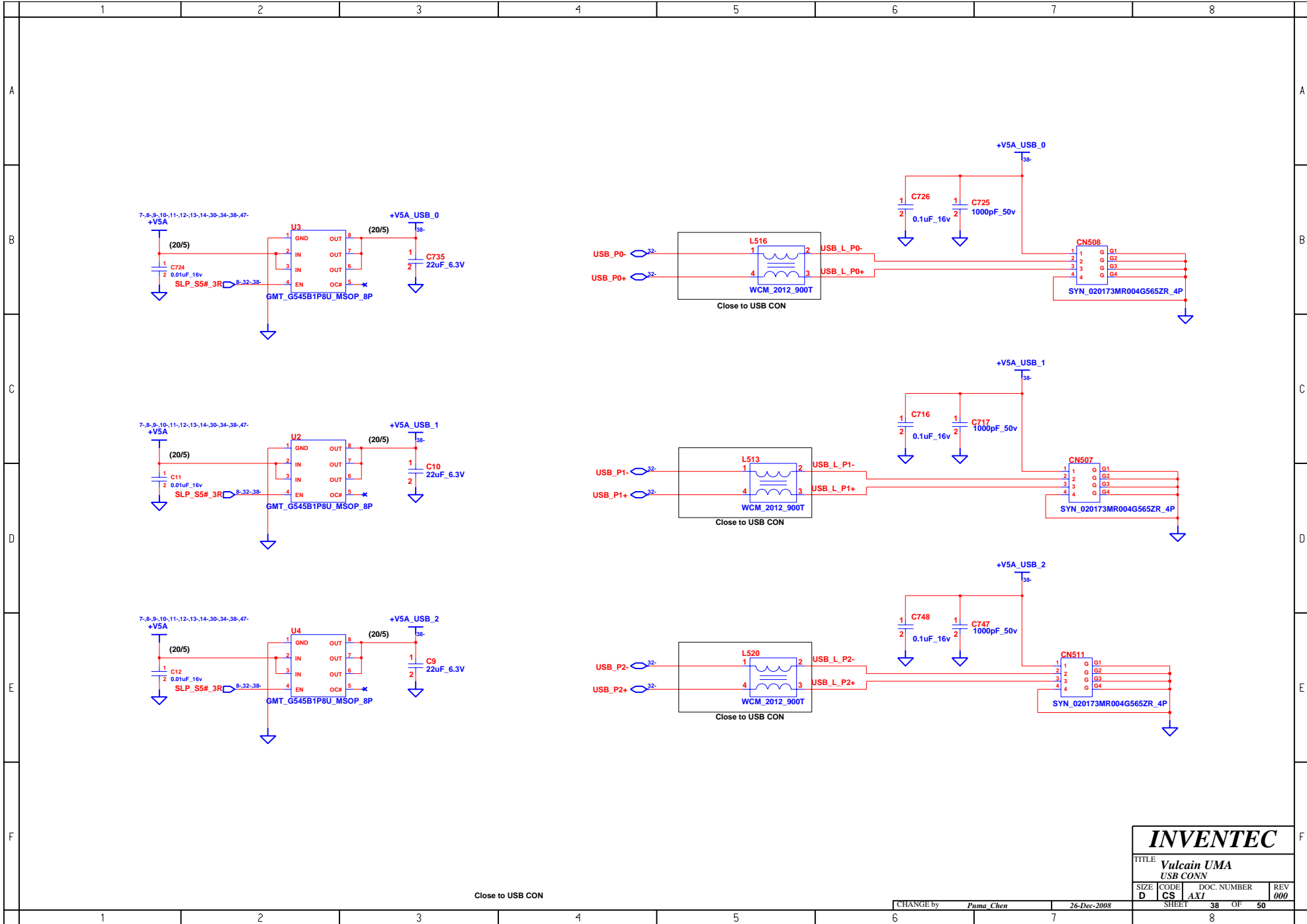
| | | | |
|----------------------------|------|-------------|-------|
| INVENTEC | | | |
| TITLE Vulcain UMA | | | |
| SYSTEM BIOS&ODD EXT/B | | | |
| SIZE | CODE | DOC. NUMBER | REV |
| D | CS | AX1 | 000 |
| CHANGE by <i>Puma Chen</i> | | 26-Dec-2008 | |
| SHEET | | 36 | OF 50 |
| | | 8 | |



INVENTEC

| | | | |
|-------------------------------|------|-------------|-----|
| TITLE | | | |
| Vulcain UMA HDD & ODD CONN | | | |
| SIZE | CODE | DOC. NUMBER | REV |
| D | CS | AX1 | 000 |

CHANGE by Puma Chen 26-Dec-2008



INVENTEC

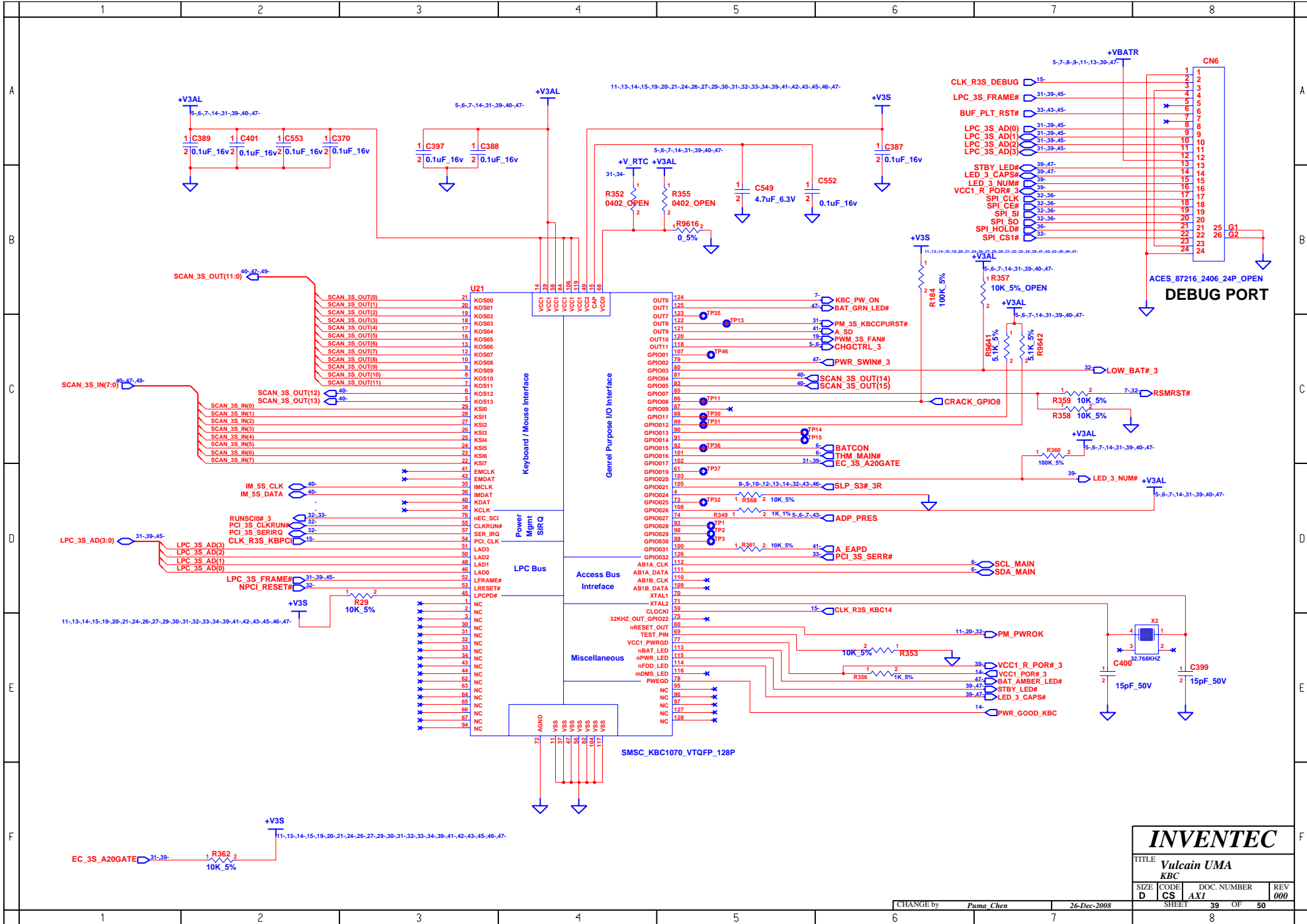
TITLE
Vulcain UMA
 USB CONN

| | | | |
|------|------|-------------|-----|
| SIZE | CODE | DOC. NUMBER | REV |
| D | CS | AXI | 000 |

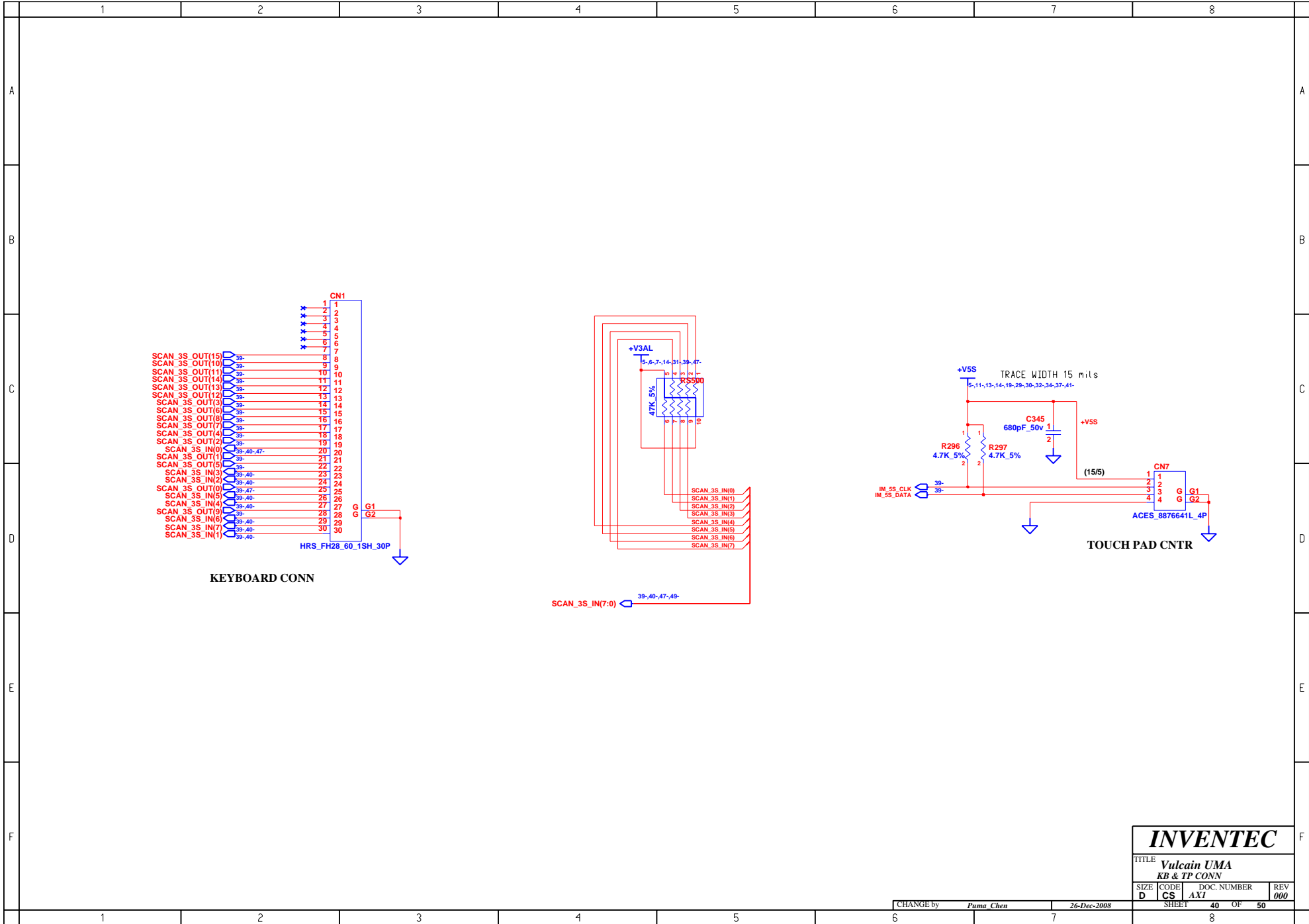
SHEET 38 OF 50

CHANGE by Puma Chen 26-Dec-2008

Close to USB CON



| | | | |
|-----------------------------|------|-------------|-----|
| INVENTEC | | | |
| TITLE Vulcain UMA | | | |
| KBC | | | |
| SIZE | CODE | DOC. NUMBER | REV |
| D | CS | AXI | 000 |
| CHANGE by | | 26-Dec-2008 | |
| Puma Chen | | 39 OF 50 | |
| SHEET | | 8 | |



KEYBOARD CONN

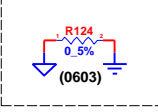
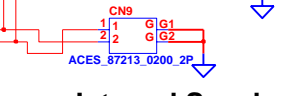
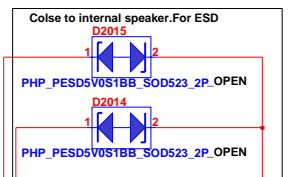
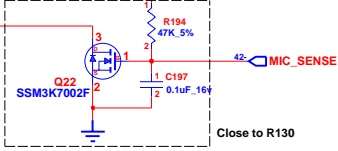
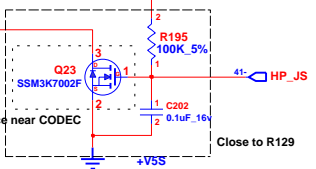
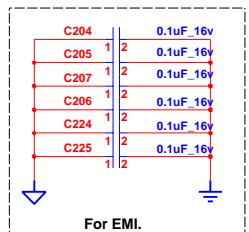
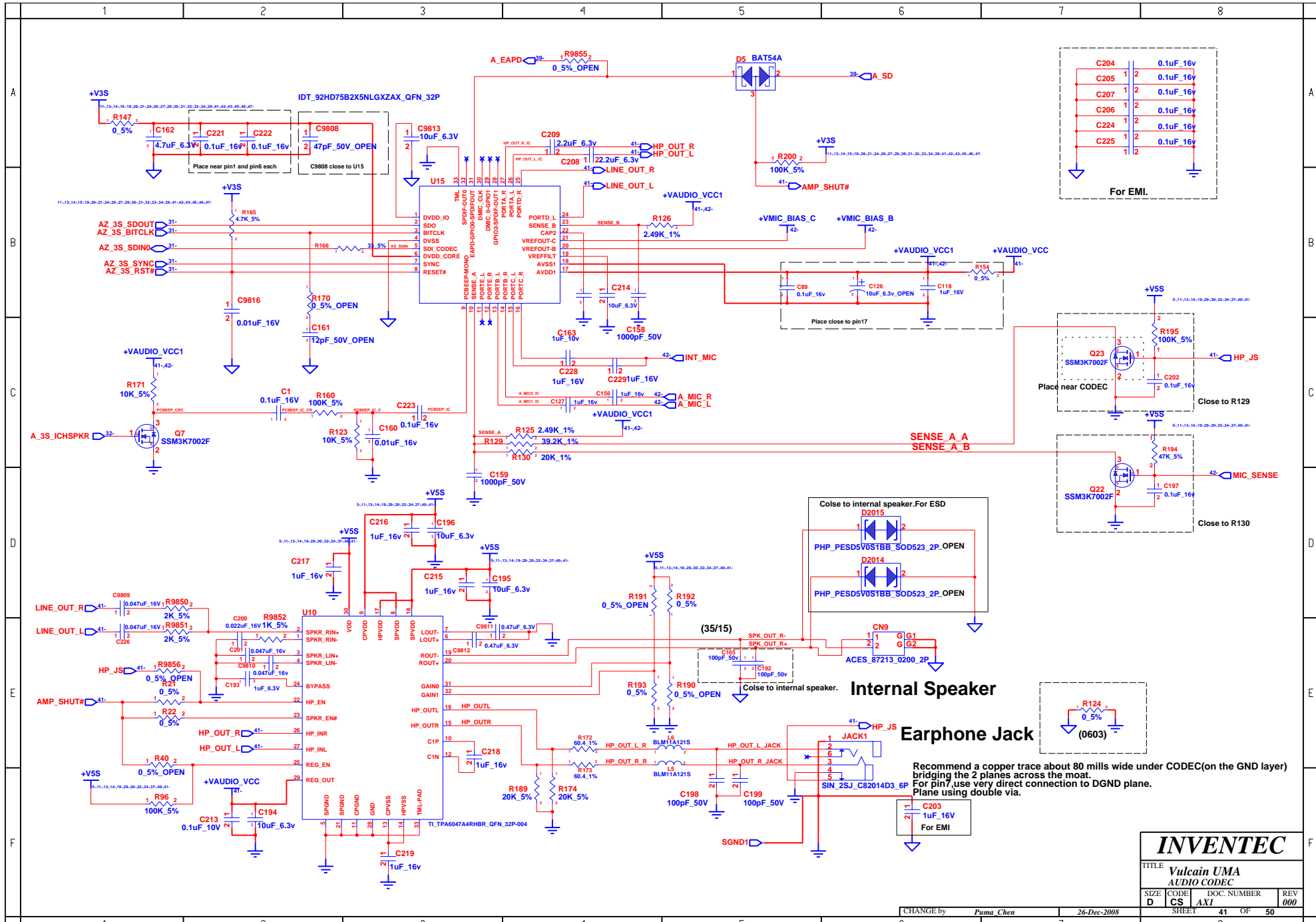
TOUCH PAD CNTR

INVENTEC

| | | | |
|--------------|------|-------------|-----|
| TITLE | | | |
| Vulcain UMA | | | |
| KB & TP CONN | | | |
| SIZE | CODE | DOC. NUMBER | REV |
| D | CS | AXI | 000 |

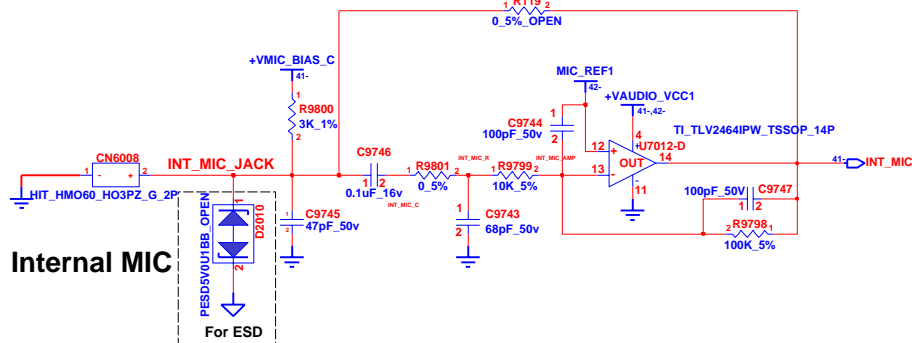
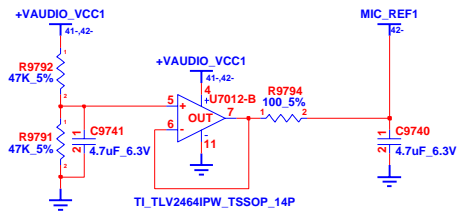
CHANGE by Puma Chen 26-Dec-2008

SHEET 40 OF 50

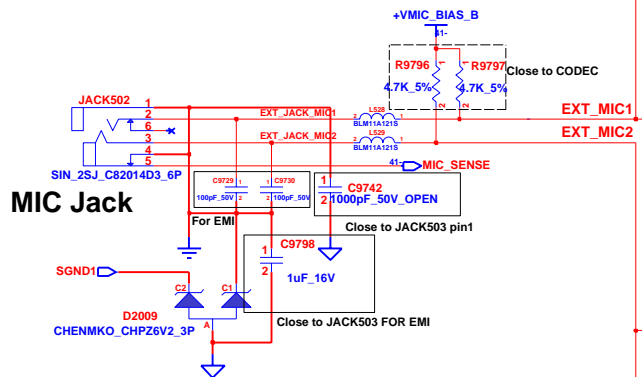
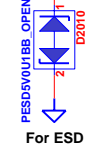


Recommend a copper trace about 80 mills wide under CODEC(on the GND layer) bridging the 2 planes across the moat. For pin7, use very direct connection to DGND plane. Plane using double via.

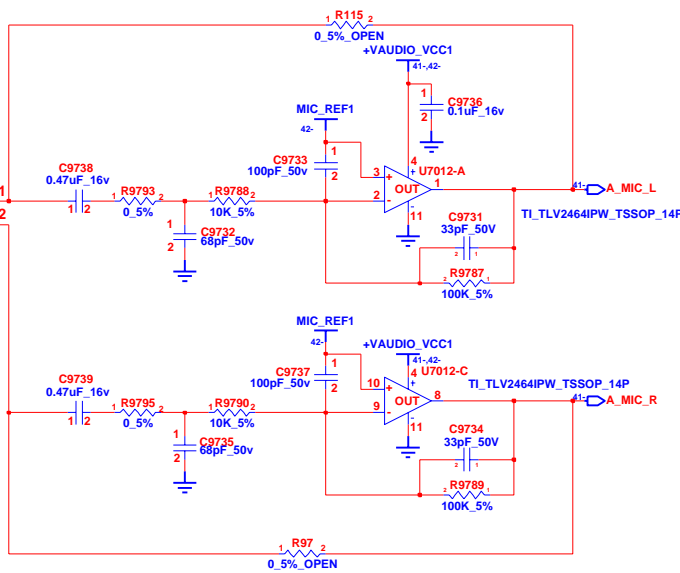
| | | | |
|-------------------------------------|------------|-------------------|------------|
| INVENTEC | | | |
| TITLE Vulcain UMA AUDIO CODEC | | | |
| SIZE D | CODE CS | DOC NUMBER AXI | REV 000 |
| CHANGE by Puma Chen | | 26-Dec-2008 | |
| SHEET 41 | | OF 50 | |



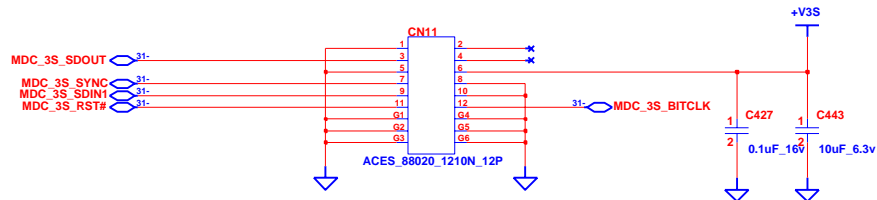
Internal MIC



MIC Jack

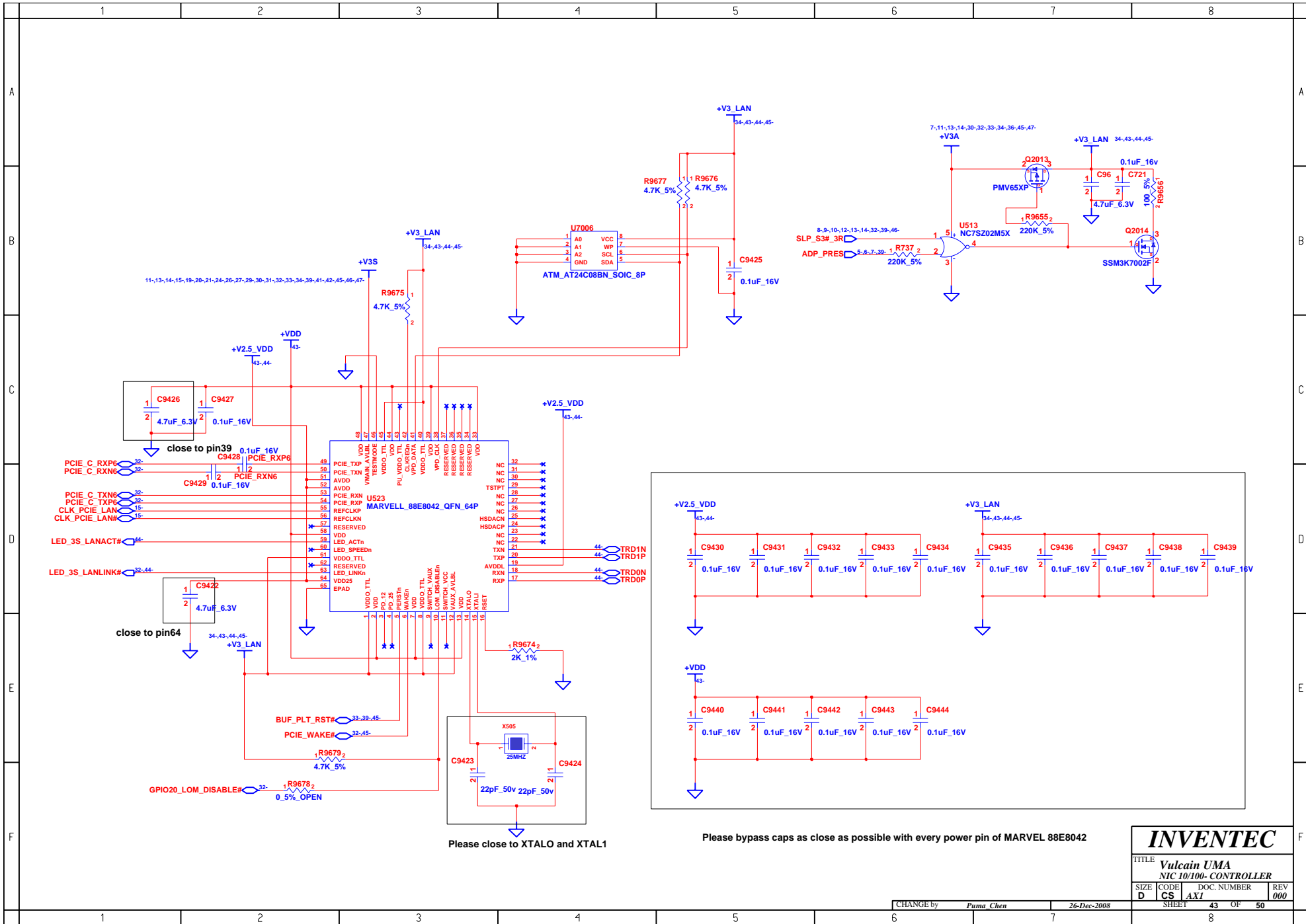


11-,13-,14-,15-,19-,20-,21-,24-,26-,27-,29-,30-,31-,32-,33-,34-,39-,41-,43-,45-,46-,47- 20 MIL



MDC CNTR

| | | | |
|--|-------------------|---------------------------|-------------------|
| INVENTEC | | | |
| TITLE Vulcain UMA MDC CNTR | | | |
| SIZE D | CODE CS | DOC. NUMBER AX1 | REV 000 |
| CHANGE by <i>Puma Chen</i> | | 26-Dec-2008 | |
| SHEET | | 42 OF 50 | |



Please close to XTALO and XTAL1

Please bypass caps as close as possible with every power pin of MARVEL 88E8042

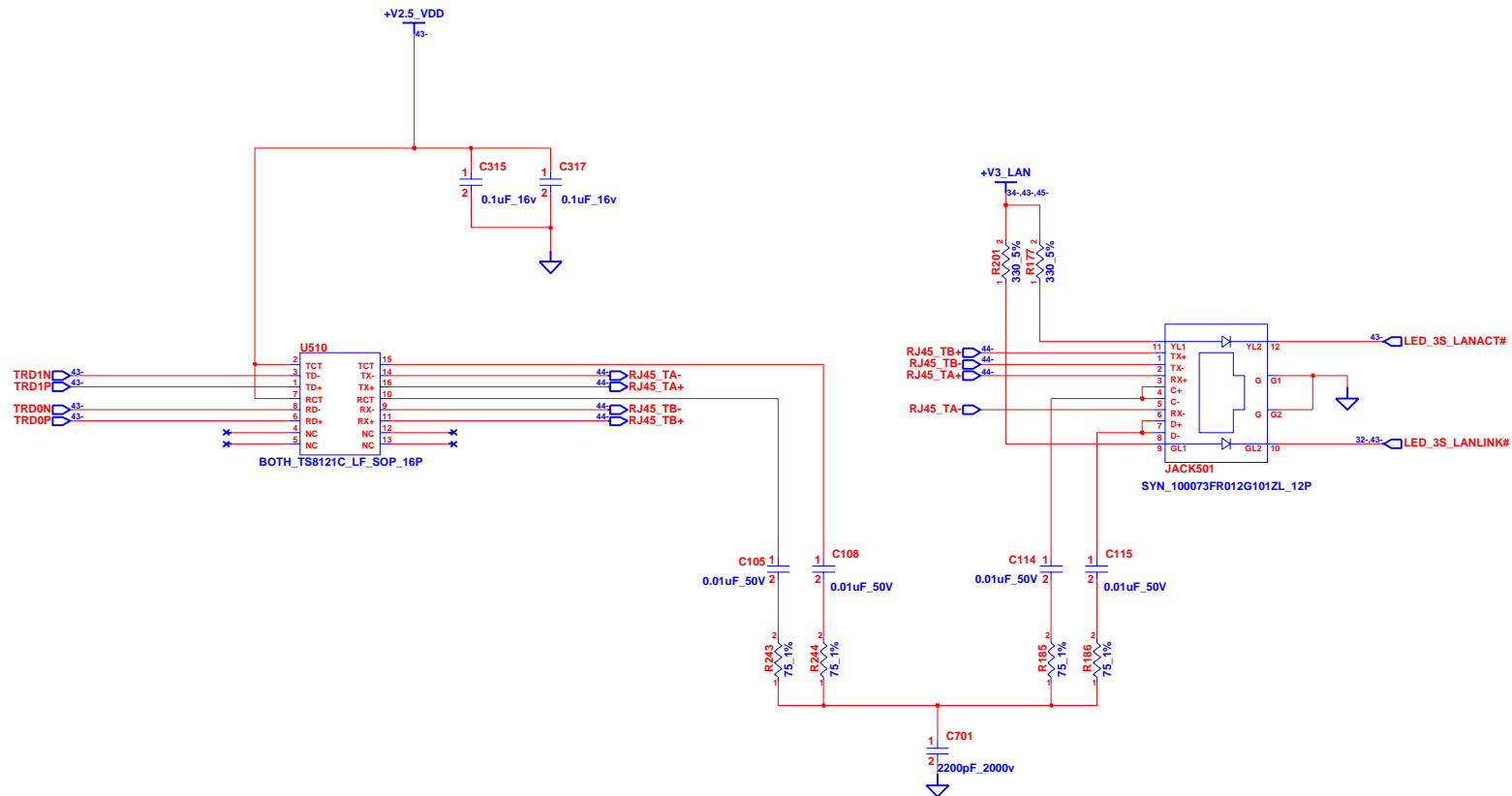
INVENTEC

TITLE
Vulcain UMA
NIC 10/100- CONTROLLER

| SIZE | CODE | DOC. NUMBER | REV |
|------|------|-------------|-----|
| D | CS | AXI | 000 |

CHANGE by *Puma Chen* 26-Dec-2008

SHEET 43 OF 50



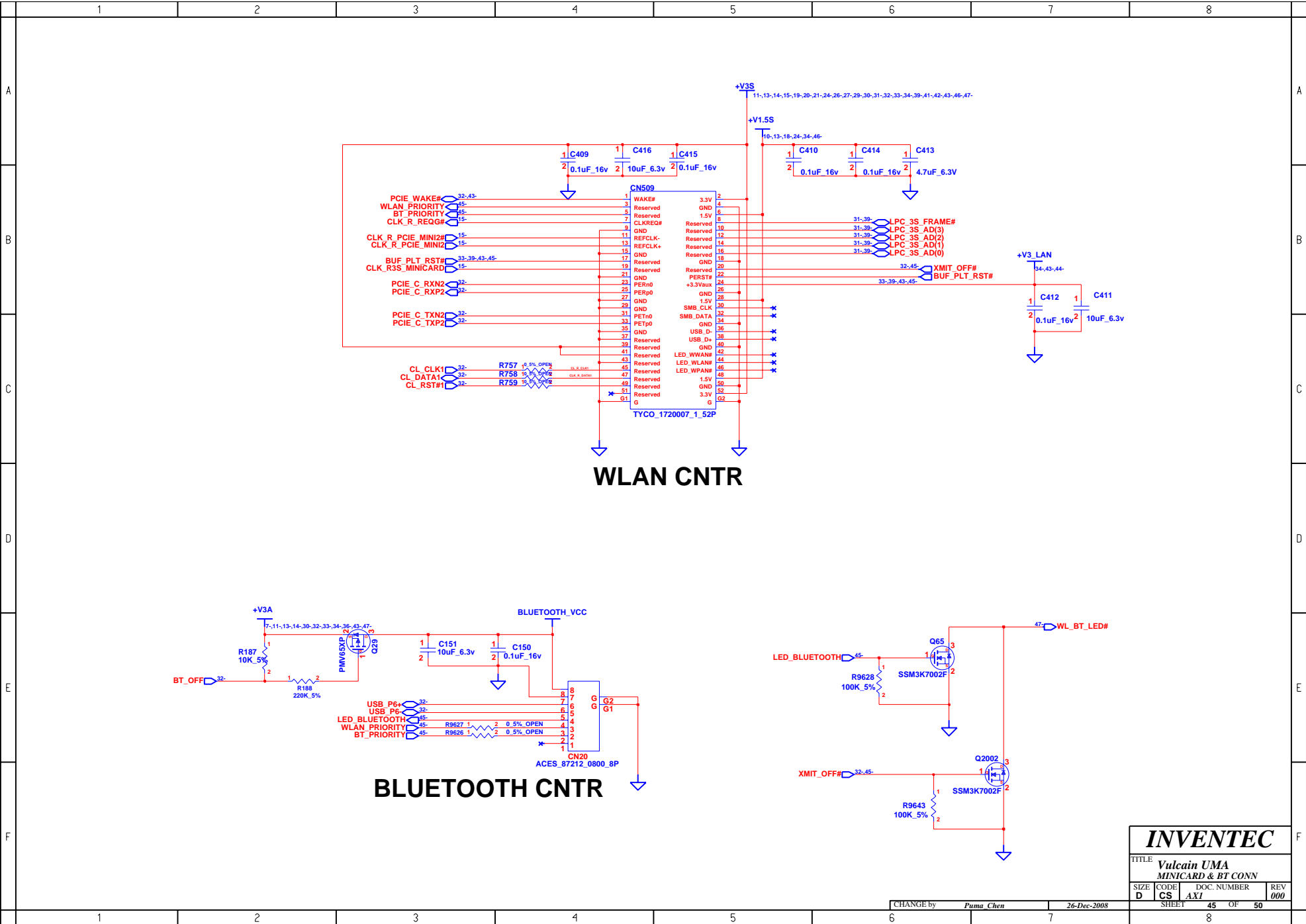
INVENTEC

TITLE
Vulcan UMA
NIC 10/100 - RJ45

| | | | |
|------------------|-------------------|---------------------------|-------------------|
| SIZE D | CODE CS | DOC. NUMBER AXI | REV 000 |
|------------------|-------------------|---------------------------|-------------------|

CHANGE by *Puma Chen* 26-Dec-2008

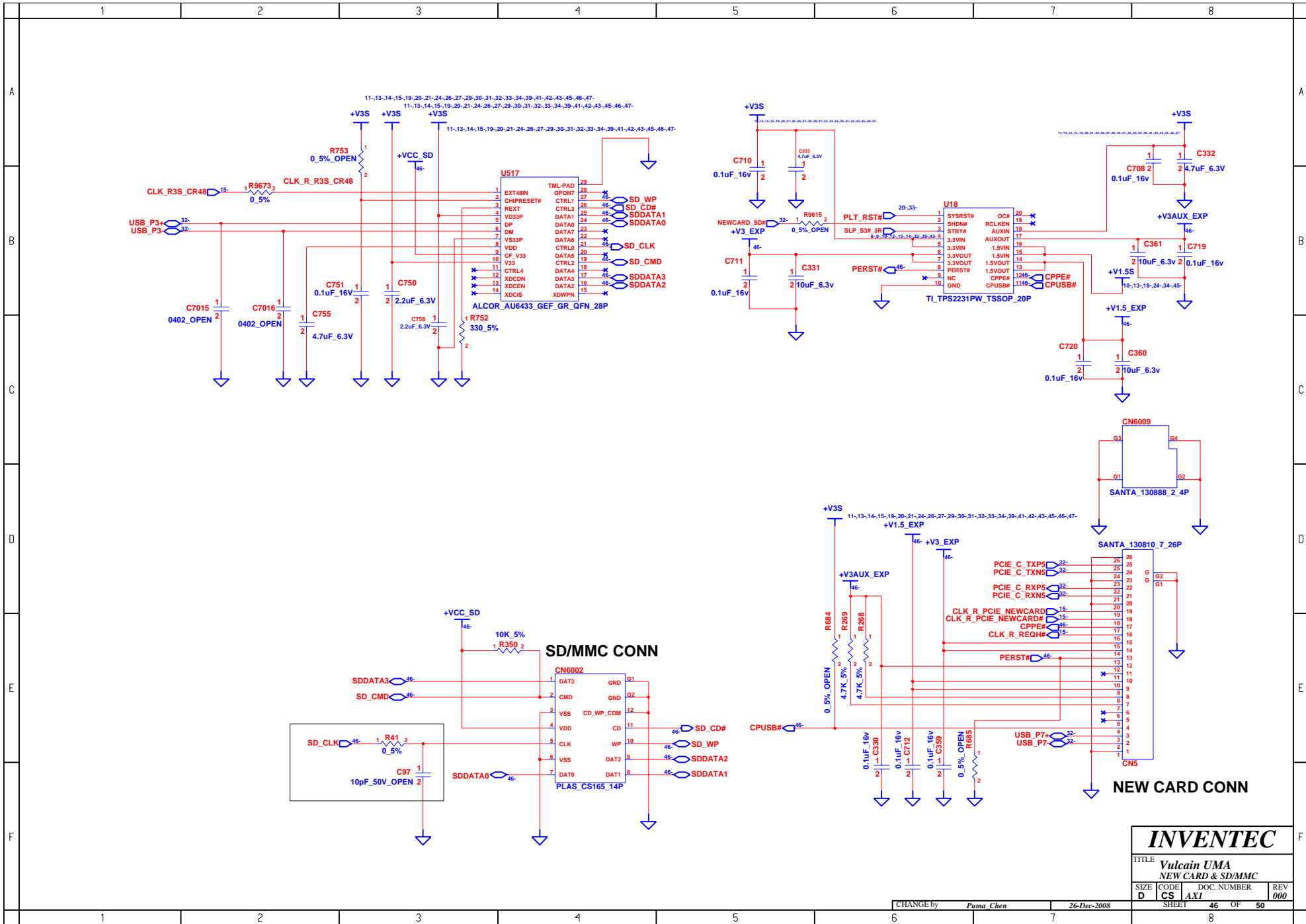
| | | | |
|-------|----|----|----|
| SHEET | 44 | OF | 50 |
|-------|----|----|----|



WLAN CNTR

BLUETOOTH CNTR

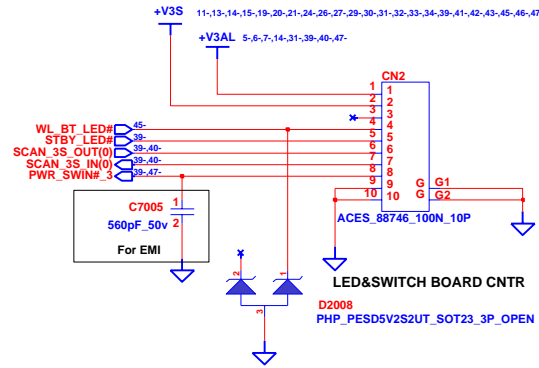
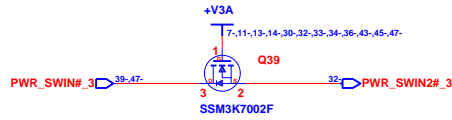
| | | | |
|--|------------|--------------------|------------|
| INVENTEC | | | |
| TITLE <i>Vulcain UMA MINICARD & BT CONN</i> | | | |
| SIZE D | CODE CS | DOC. NUMBER AX1 | REV 000 |
| CHANGE by <i>Puma Chen</i> | | 26-Dec-2008 | |
| SHEET | | 45 OF 50 | |
| 1 | | 8 | |



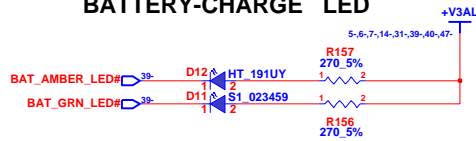
INVENTEC

TITLE
**Vulcain UMA
 NEW CARD & SD/MMC**

| | | | |
|------|------|-------------|-----|
| SIZE | CODE | DOC. NUMBER | REV |
| D | CS | AX1 | 000 |



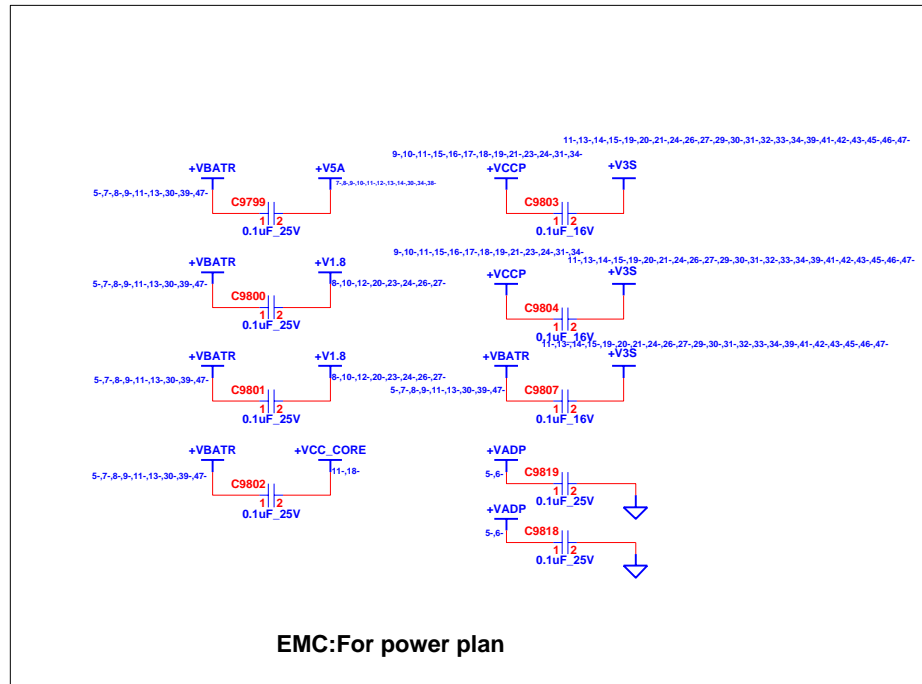
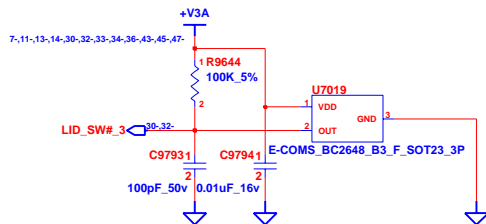
BATTERY-CHARGE LED



CAP LED



LID SWITCH



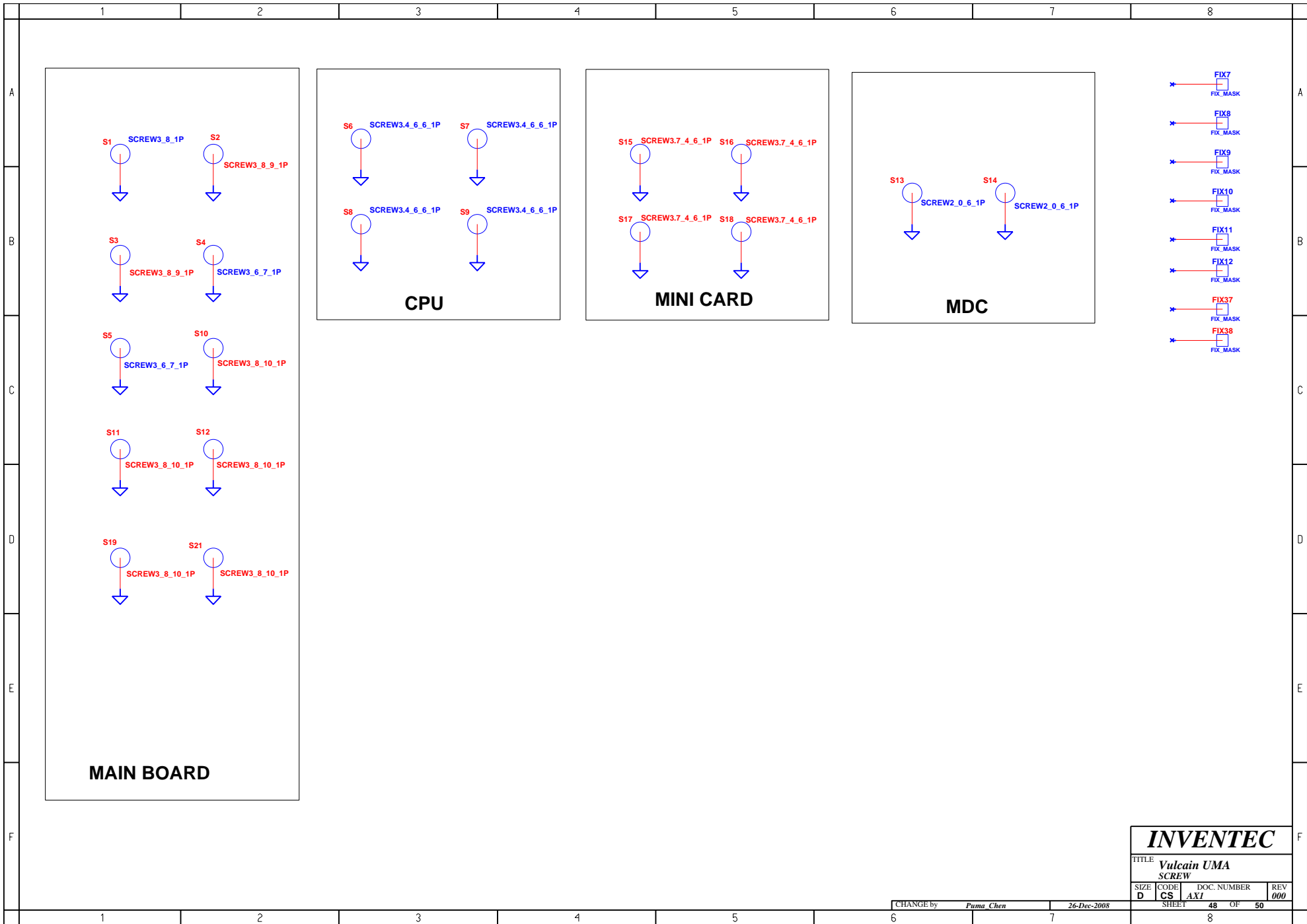
EMC:For power plan

INVENTEC

| | | | |
|--------------|------|-------------|-----|
| TITLE | | | |
| Vulcain UMA | | | |
| BUTTON & LED | | | |
| SIZE | CODE | DOC. NUMBER | REV |
| D | CS | AXI | 000 |

CHANGE by Puma Chen 26-Dec-2008

SHEET 47 OF 50

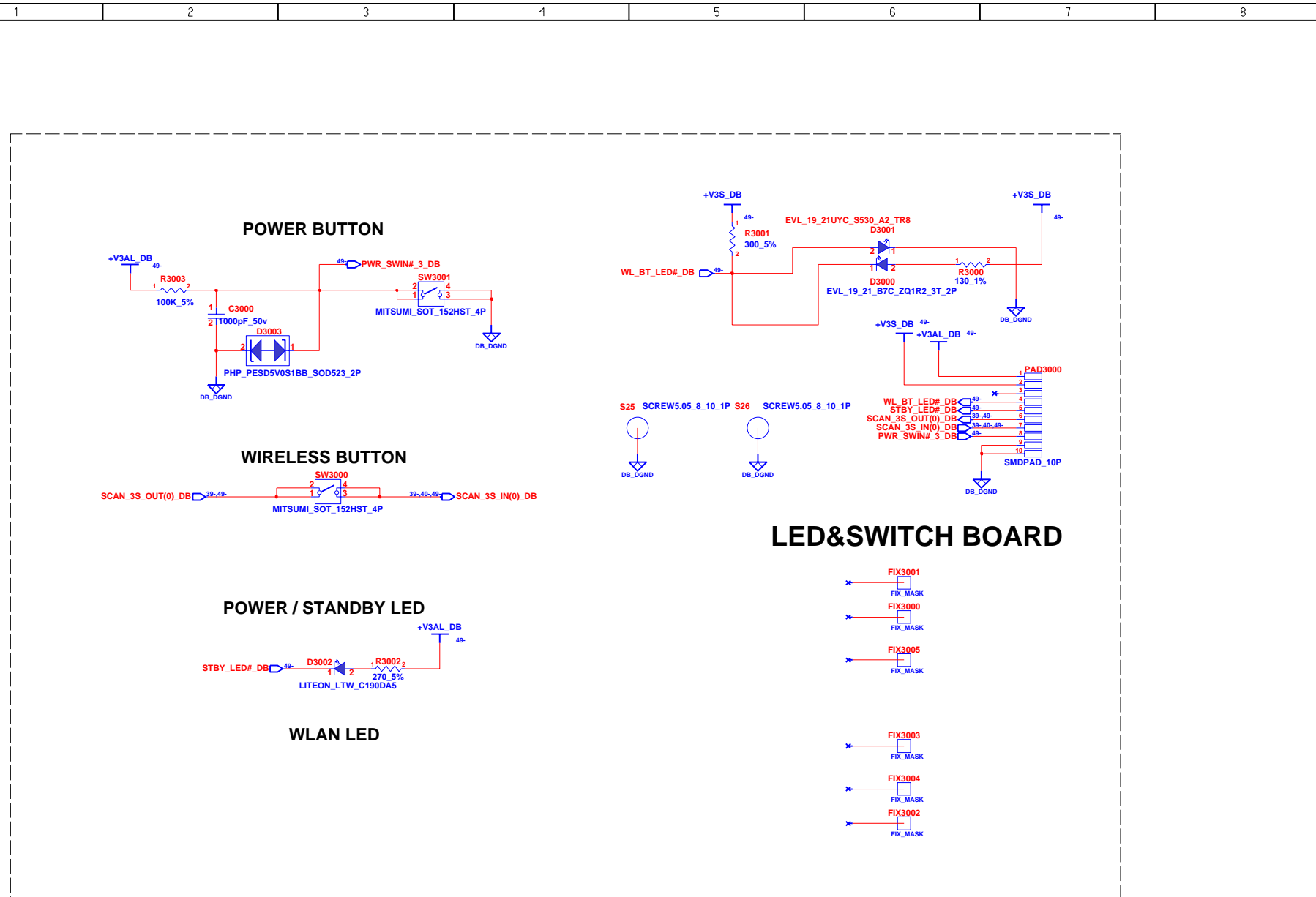


INVENTEC

TITLE **Vulcain UMA**
SCREW

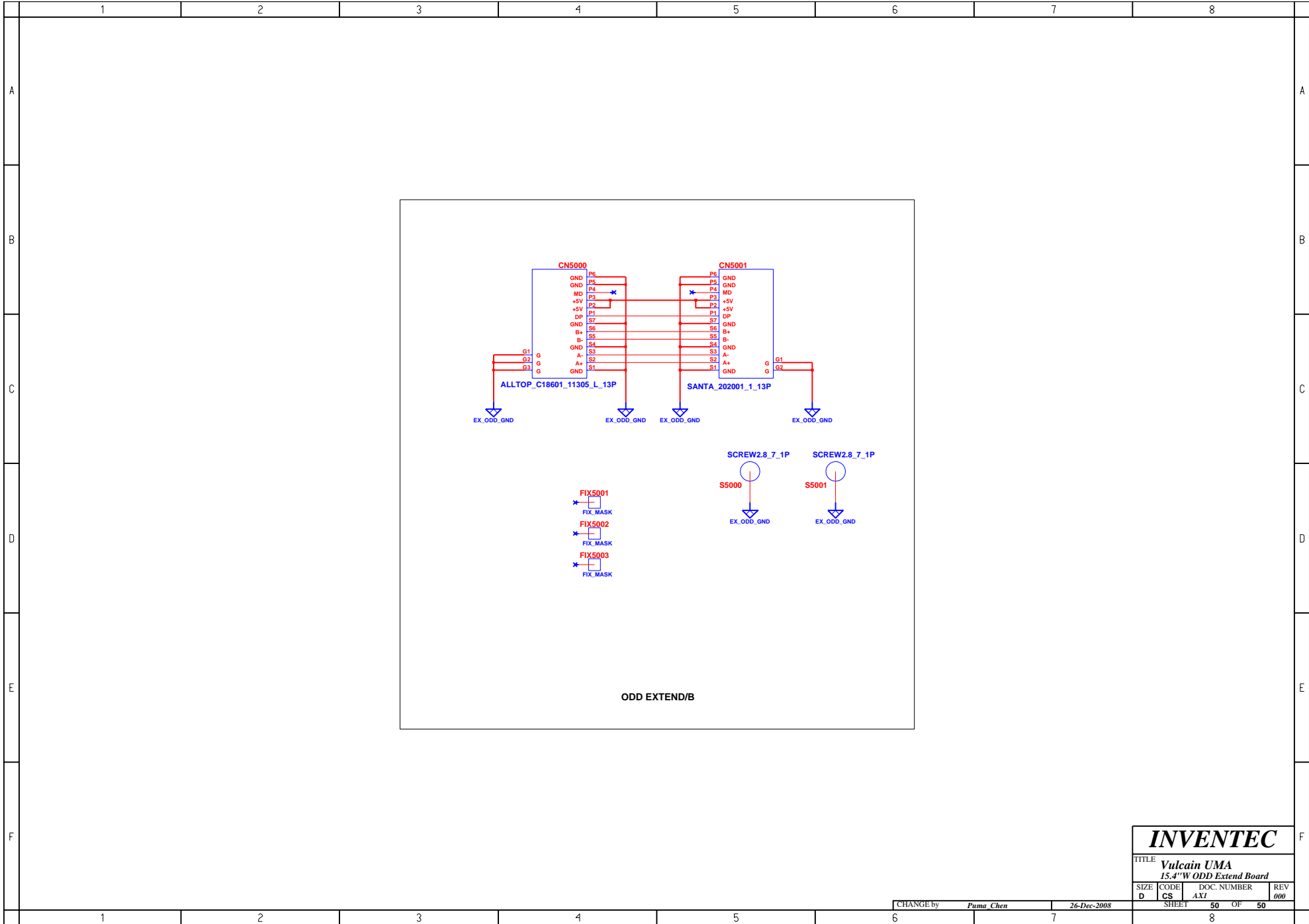
| | | | |
|------|------|-------------|-----|
| SIZE | CODE | DOC. NUMBER | REV |
| D | CS | AXI | 000 |

CHANGE by *Puma Chen* 26-Dec-2008



SWITCH DAUGHTER BOARD

| | | | |
|--|-------------------|---------------------------|-------------------|
| INVENTEC | | | |
| TITLE Vulcain UMA SWITCH Board | | | |
| SIZE D | CODE CS | DOC. NUMBER AXI | REV 000 |
| CHANGE by <i>Puma Chen</i> | | 26-Dec-2008 | |
| SHEET | | 49 OF 50 | |



INVENTEC

TITLE **Vulcain UMA**
15.4" W ODD Extend Board

| | | | |
|------|------|-------------|-----|
| SIZE | CODE | DOC. NUMBER | REV |
| D | CS | AXI | 000 |

CHANGE by *Puma Chen* 26-Dec-2008

| | | | |
|-------|----|----|----|
| SHEET | 50 | OF | 50 |
|-------|----|----|----|