

# HARBOUR

## PV-2 BUILD

2008-08-25

DATE	CHANGE NO.	REV

DRAWER	EE	DATE	POWER	DATE	<b>INVENTEC</b>			
DESIGN					TITLE HARBOUR			
CHECK					RESPONSIBLE			
RESPONSIBLE					SIZE = 3 VER :			
FILE NAME :	XXXX XXXXXX-XX				SIZE	CODE	DOC. NUMBER	REV
P/N	XXXXXXXXXXXX				A3	CS	0050A2215101	A02
					SHEET	1 OF 51		

**TABLE OF CONTENTS**

**PAGE**

- 1. COVER PAGE
- 2. INDEX
- 3. BLOCK DIAGRAM
- 4. POWER SEQUENCE BLOCK
- 5. CHARGER & OCP
- 6. SELECT & BATTERY CONN
- 7. SYSTEM POWER (3V/5V)
- 8. SYSTEM POWER (+V1.05S/+V1.8)
- 9. CPU CORE POWER
- 10.+V1.5S / +V0.9S
- 11-12. POWER SLEEP
- 13.CLOCK GENERATOR & ICS9LPRS365
- 14-16.INTEL DIAMONDVILLE -1
- 17.CPU VSS & THERMAL & FAN
- 16.FAN & THERMAL CONTROLLER
- 18-25.945GMS
- 26.DDR2 DIMM0
- 27.DDR2 PULL UP TERMINATOR
- 28.CRT/USB DOCKING
- 29.LCM CONN
- 30-35.ICH7M

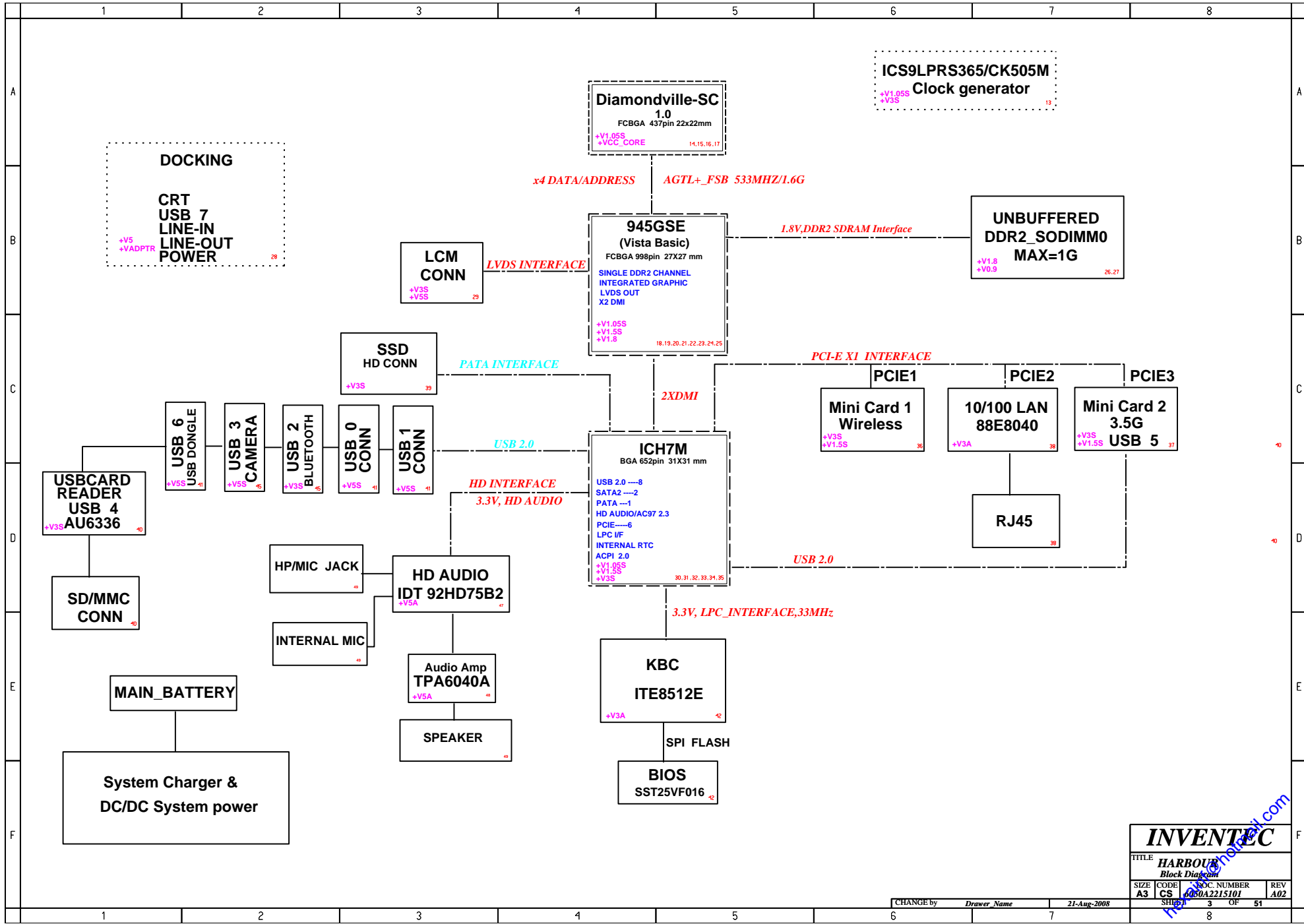
**PAGE**

- 36.MINI CARD 1(FOR WIRELESS)
- 37.MINI CARD 2 (FOR 3.5G) & SIM SLOT
- 38.LAN CONTROLLER & RJ45
- 39.SSD CONN
- 40.CARD READER
- 41.USB 6,7,USB0(DONGLE)
- 42.KBC
- 43.KEYBOARD CONN
- 44. ALL LED AND LID SWITCH
- 45. WEBCAM&BLUETOOTH
- 46.EMI CAP
- 47.AUDIO CONTROLLER
- 48.AUDIO AMP
- 49.HEADPHONE & EXT MIC
- 50.TEST PIN
- 51.HISTORY

**INVENTEC**

TITLE			
<b>HARBOUR</b>			
Table Of Content			
SIZE	CODE	DOC. NUMBER	REV
A3	CS	6050A2215101	A02
SHEET		2	OF 51

CHANGE by *Drawer Name* 21-Aug-2008

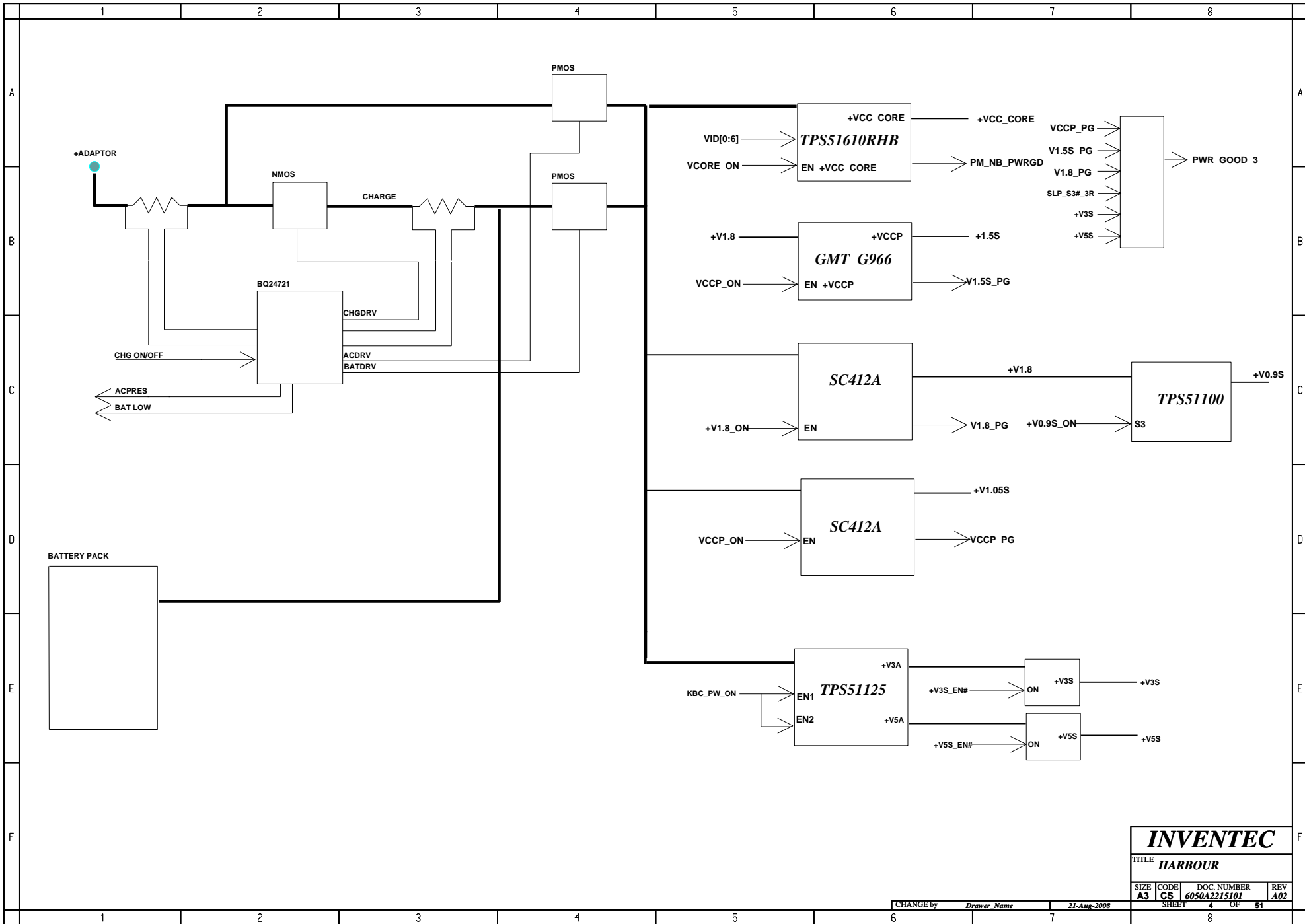


**INVENTEC**

TITLE: **HARBOR**  
Block Diagram

SIZE	CODE	DOC. NUMBER	REV
A3	CS	6050A2215101	A02
SHEET		3	OF 51
PAGE		8	

CHANGE by: *Drawer Name* 21-Aug-2008

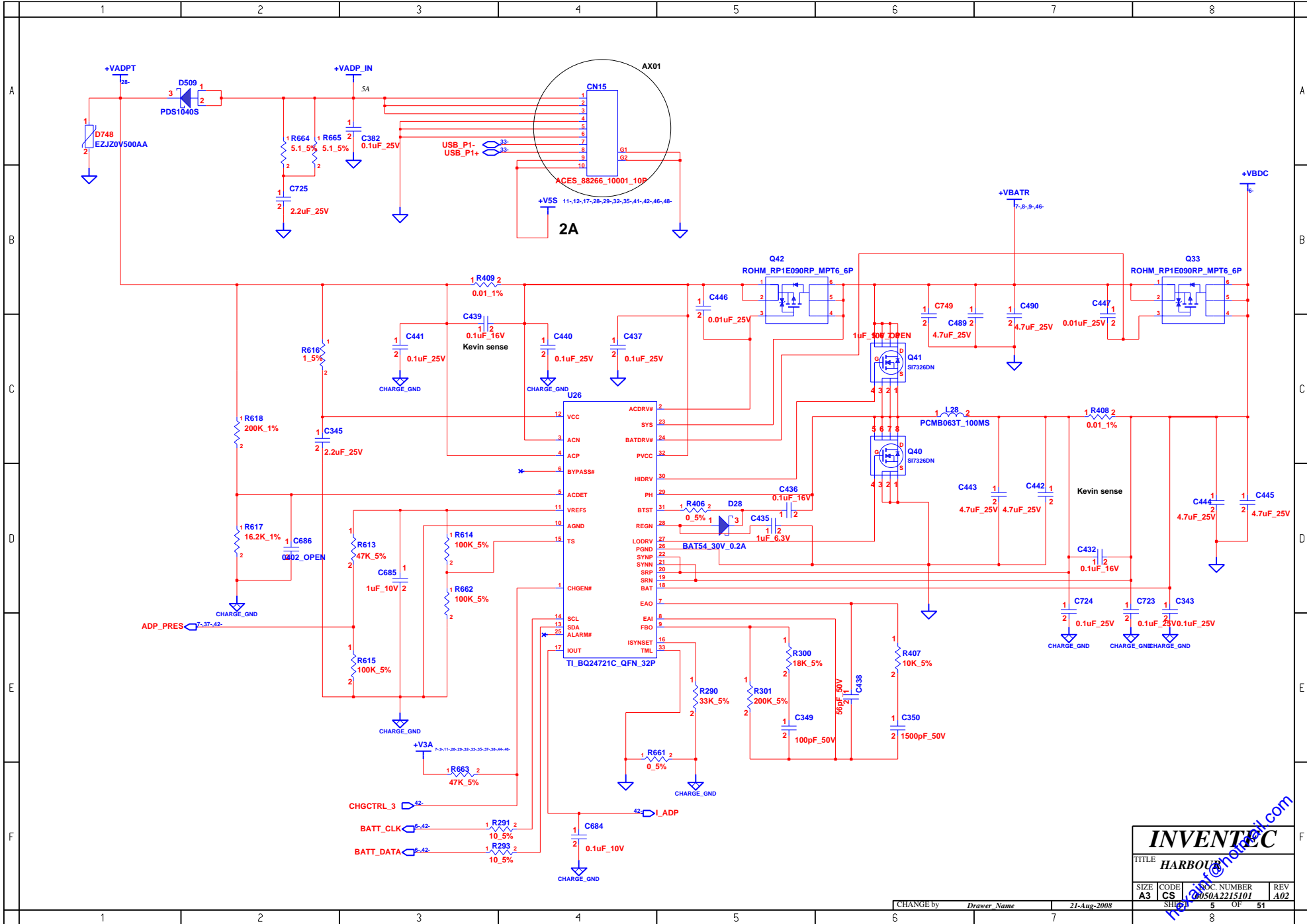


**INVENTEC**

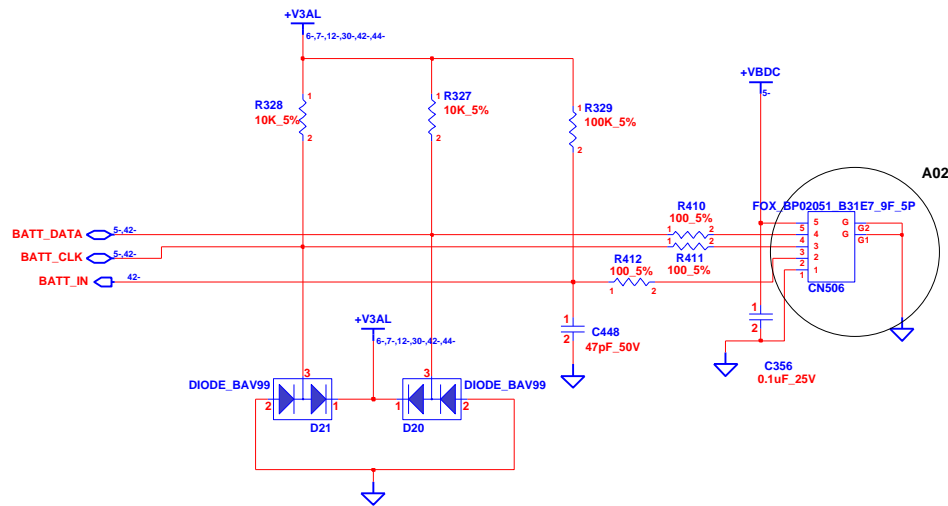
TITLE **HARBOUR**

SIZE	CODE	DOC. NUMBER	REV
A3	CS	6050A2215101	A02
SHEET		4	OF 51

CHANGE by *Drawer Name* 21-Aug-2008



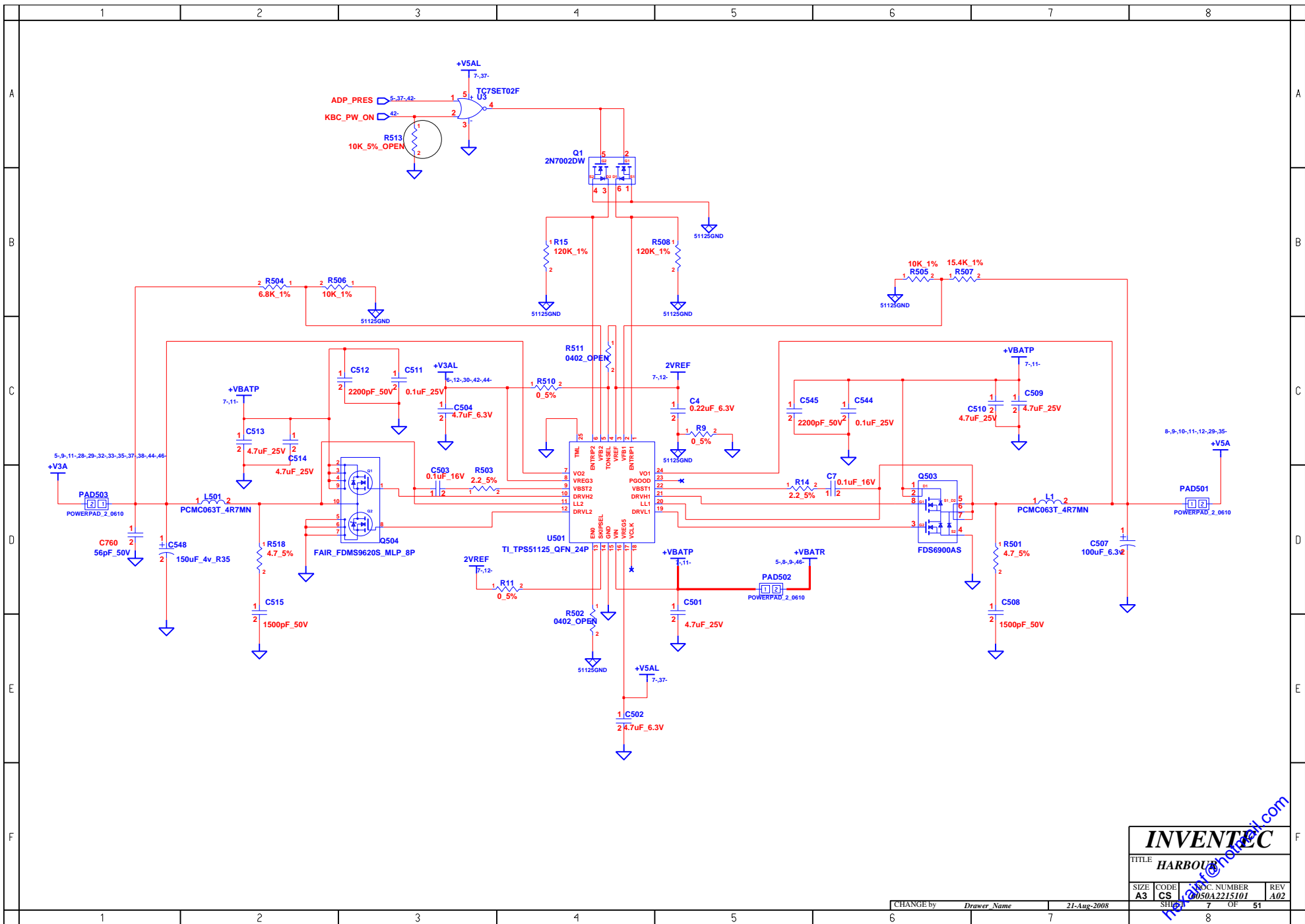
<b>INVENTEC</b>			
TITLE: HARBOR			
SIZE: A3	CODE: CS	DWG. NUMBER: 0050A2215101	REV: A02
CHANGE by: Drawer Name		21-Aug-2008	5 OF 51



# INVENTEC

TITLE			
HARBOR			
Power 2			
SIZE	CODE	DOC. NUMBER	REV
A3	CS	6050A2215101	A02
CHANGE by		Drawer Name	21-Aug-2008
SHEET		6	OF 51

CHANGE by Drawer Name 21-Aug-2008



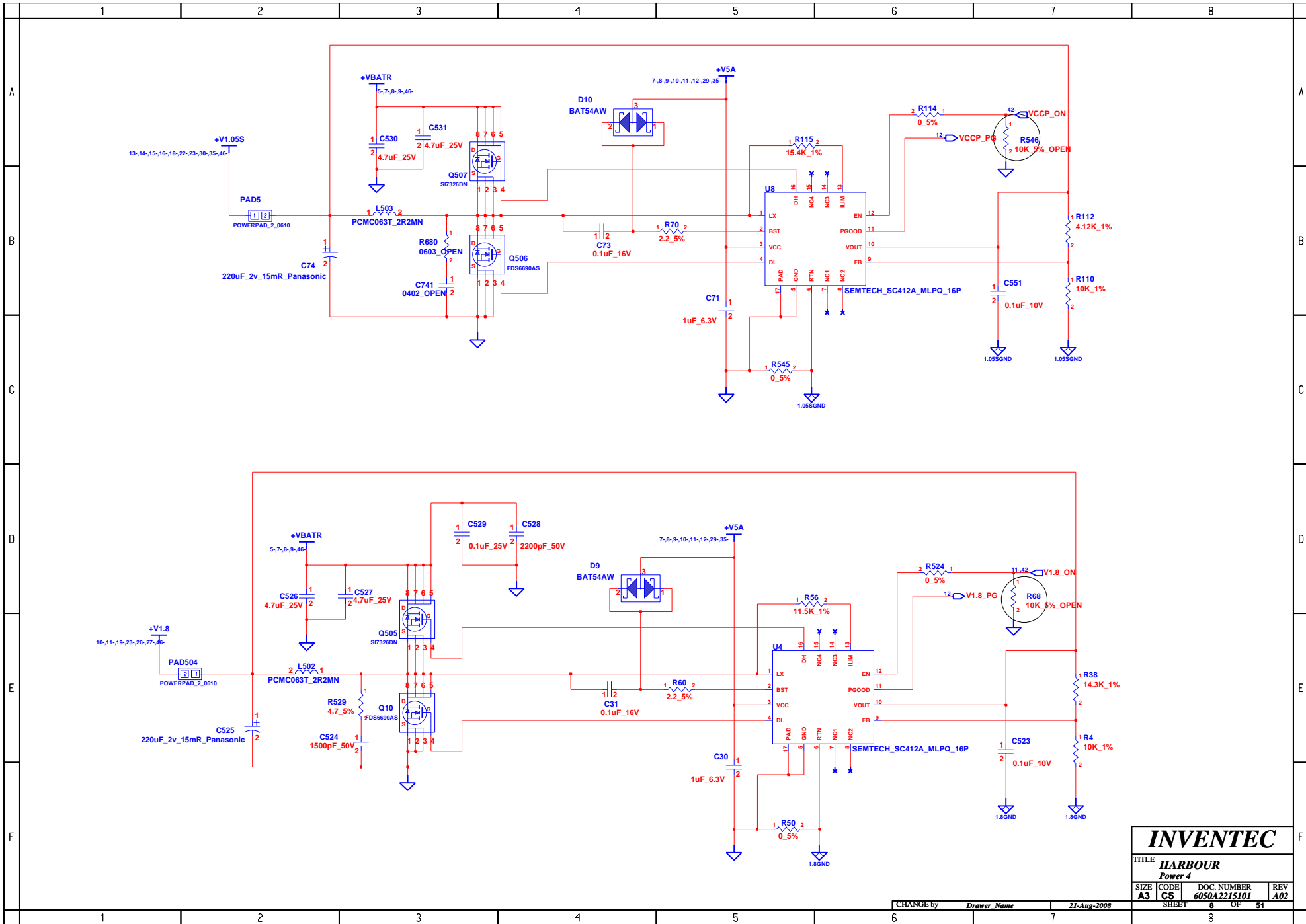
**INVENTEC**

TITLE HARBOUR

SIZE	CODE	DOC. NUMBER	REV
A3	CS	0050A2215101	A02

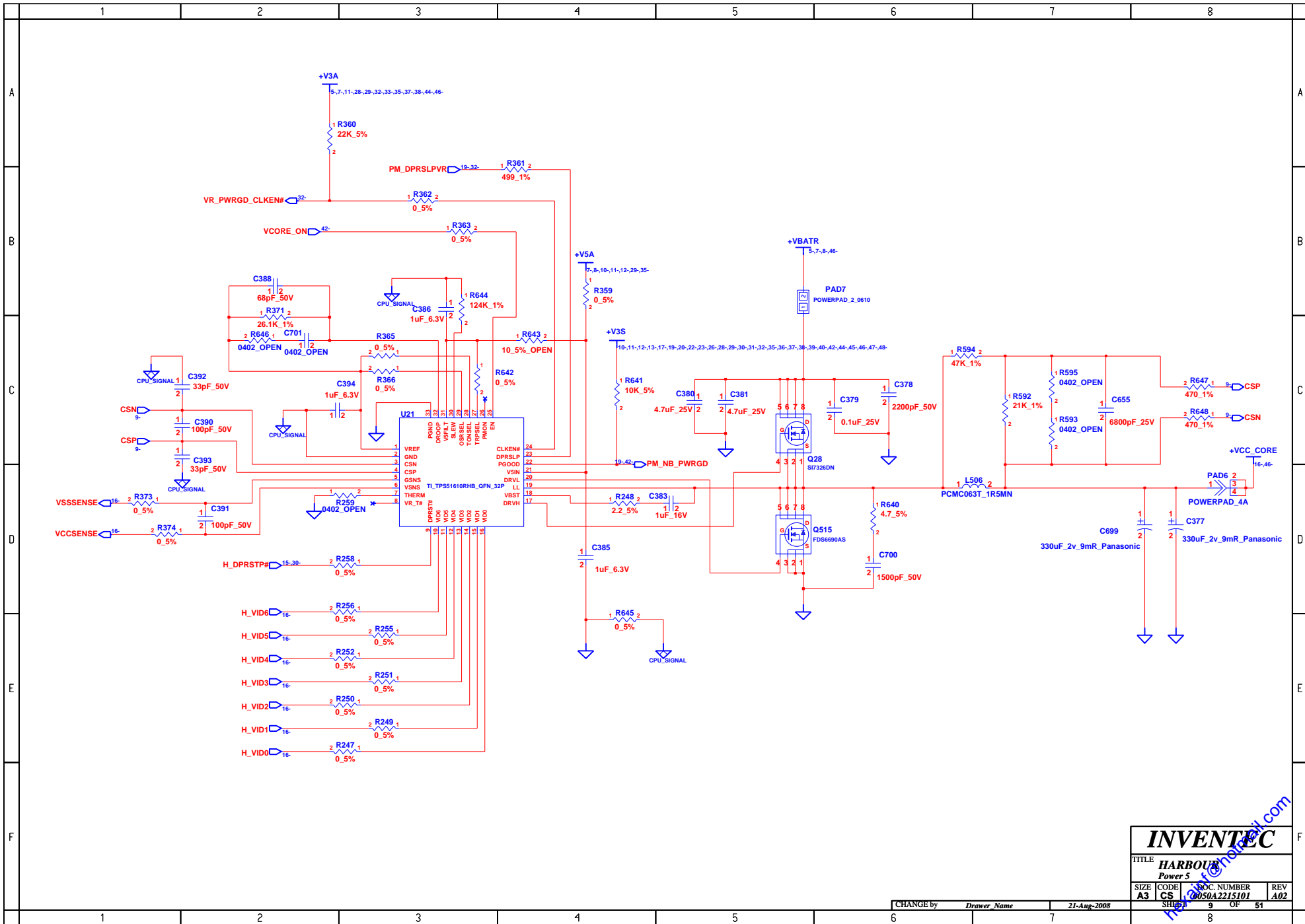
CHANGE by *Drawer Name* 21-Aug-2008

Sheet 7 OF 51

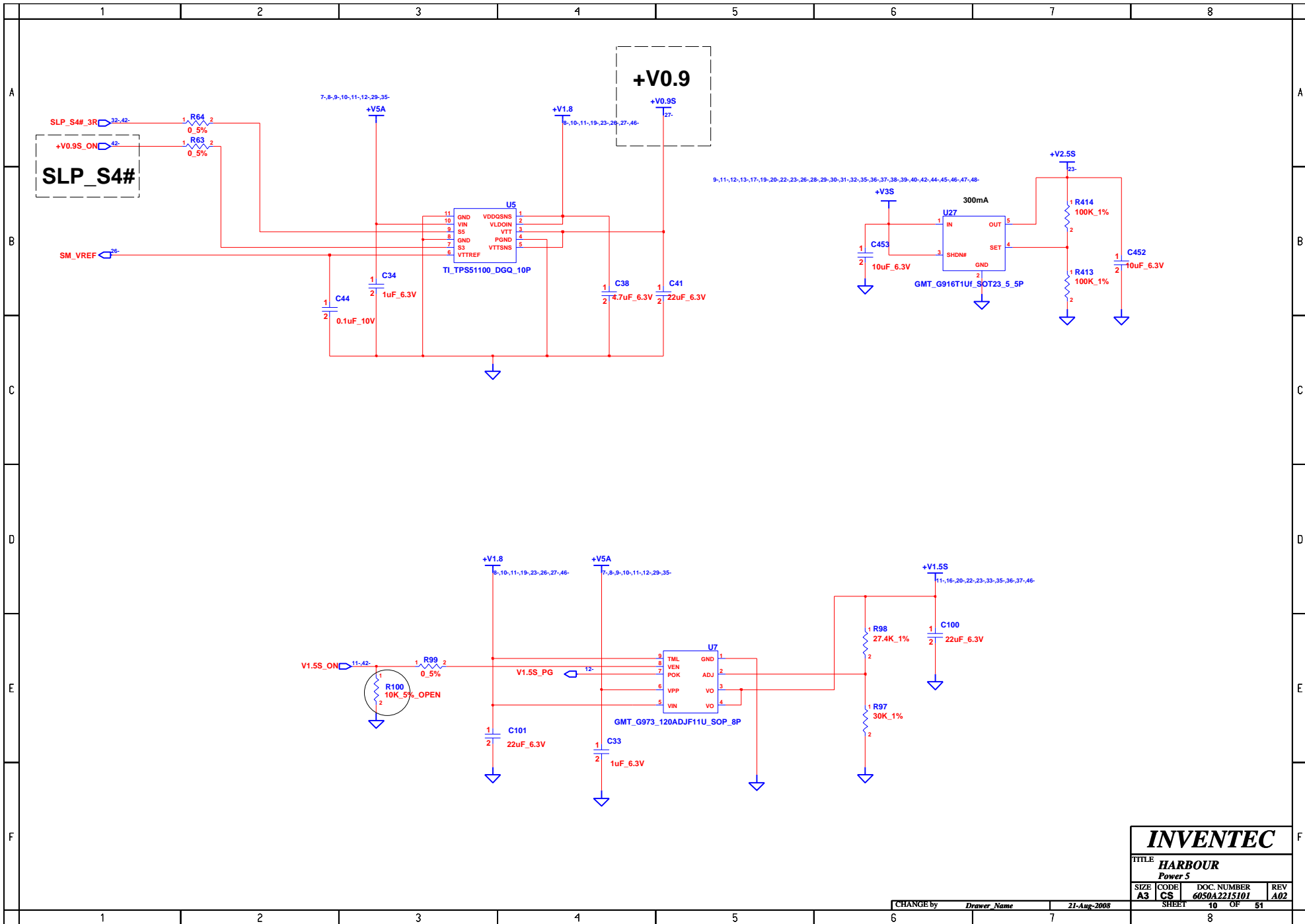


<b>INVENTEC</b>			
TITLE <b>HARBOUR</b>			
Power 4			
SIZE	CODE	DOC. NUMBER	REV
A3	CS	6050A2215101	A02
CHANGE by		Drawer Name	21-Aug-2008
SHEET		8	OF 51





<b>INVENTEC</b>			
TITLE: <b>HARBOUR Power 5</b>			
SIZE	CODE	DOC NUMBER	REV
A3	CS	0050A2215101	A02
CHANGE by: <i>Drawer Name</i>		DATE: 21-Aug-2008	SHEET: 9 OF 51



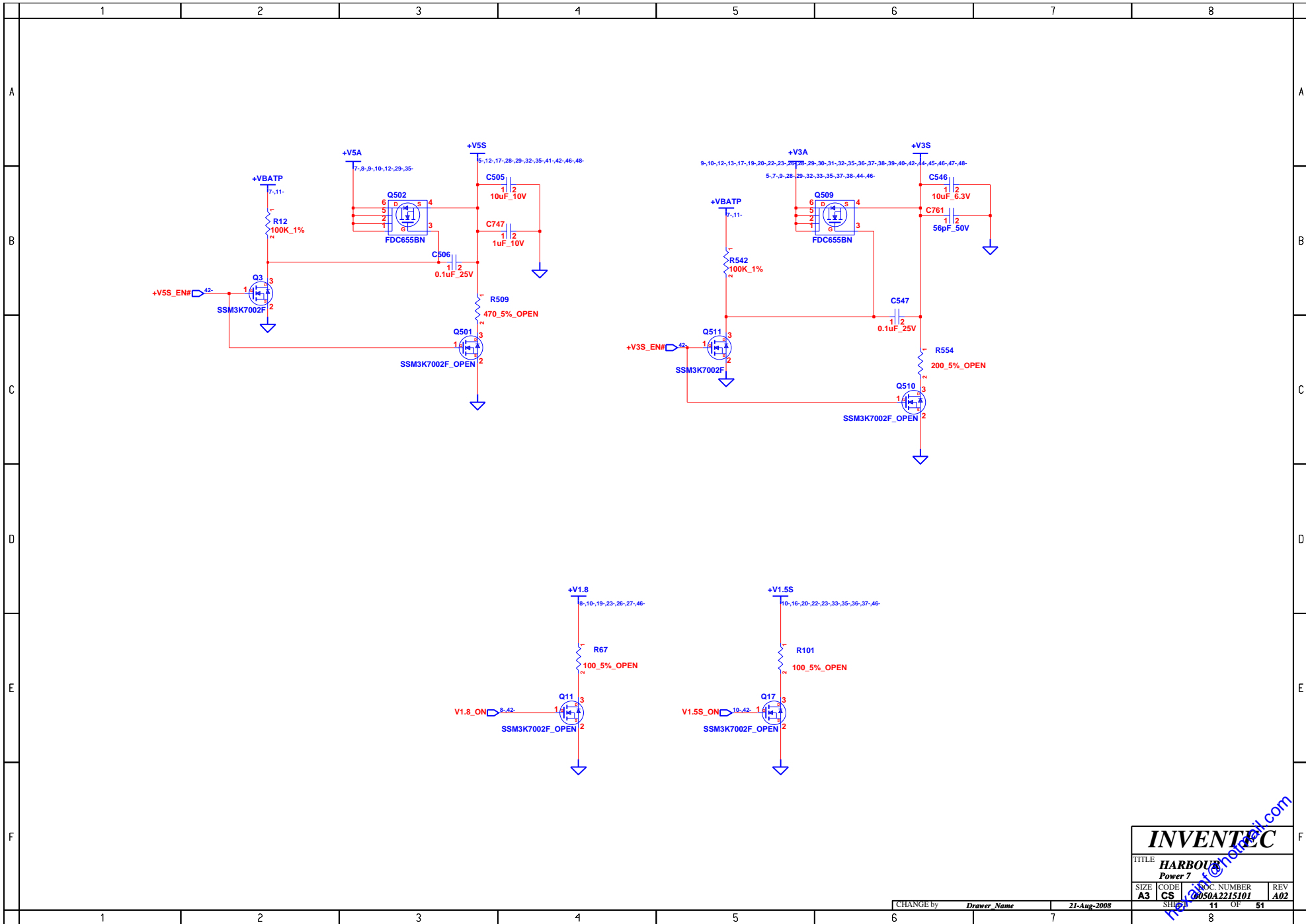
**INVENTEC**

TITLE **HARBOUR**  
Power 5

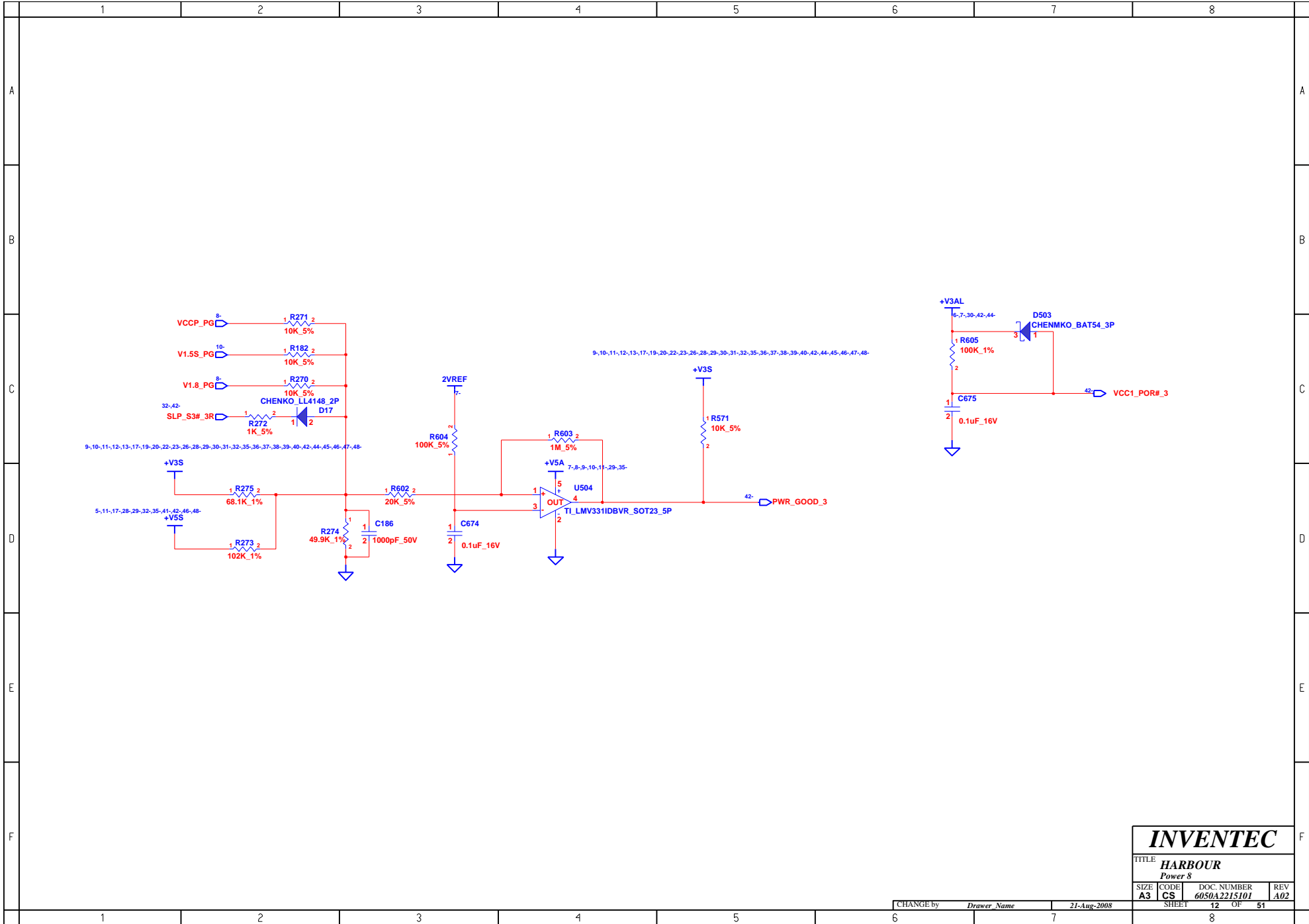
SIZE <b>A3</b>	CODE <b>CS</b>	DOC. NUMBER <b>6050A2215101</b>	REV <b>A02</b>
-------------------	-------------------	------------------------------------	-------------------

CHANGE by *Drawer Name* 21-Aug-2008

SHEET 10 OF 51



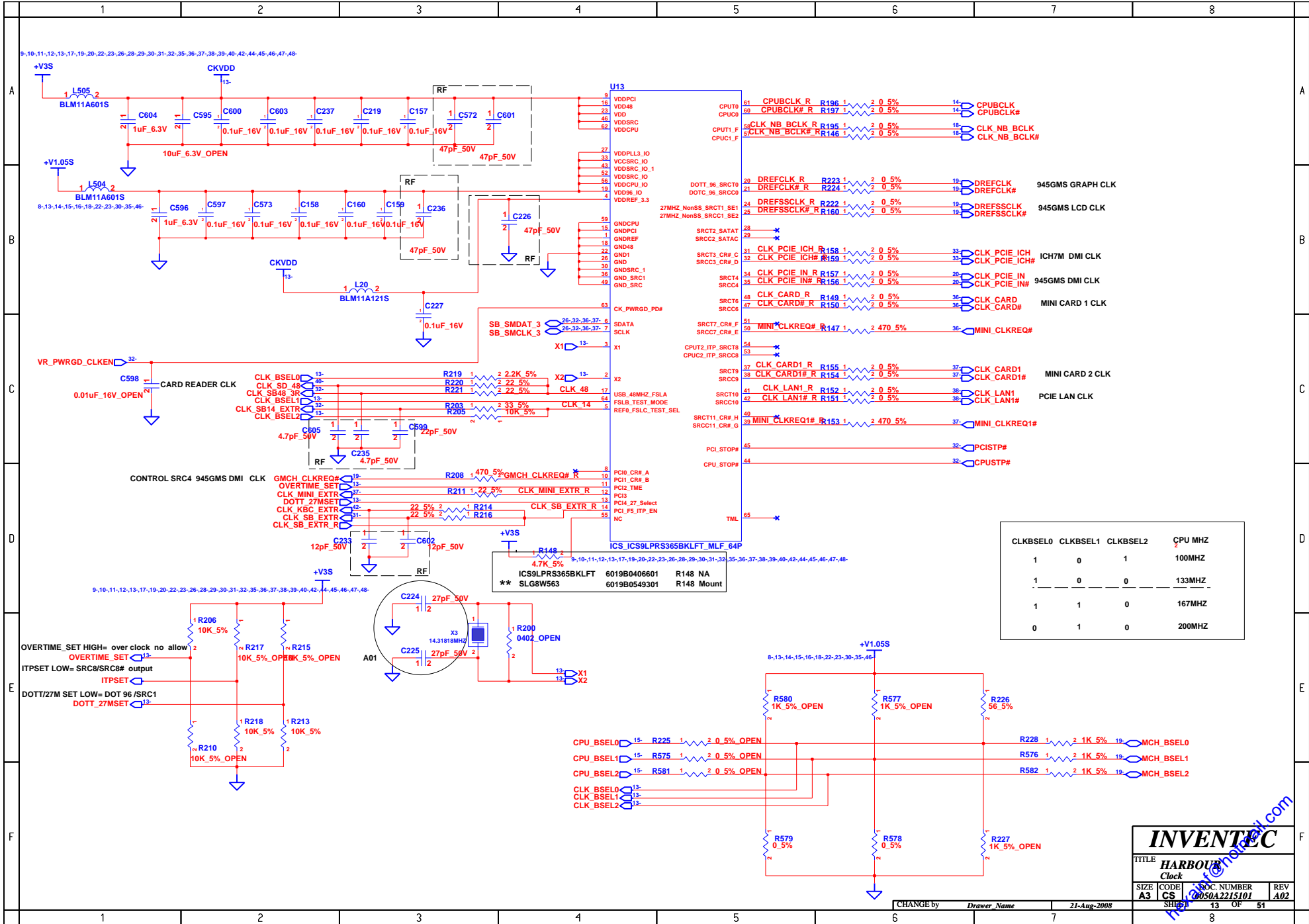
<b>INVENTEC</b>			
TITLE <b>HARBOUR</b>			
Power 7			
SIZE <b>A3</b>	CODE <b>CS</b>	DWG. NUMBER <b>0050A2215101</b>	REV <b>A02</b>
CHANGE by <i>Drawer Name</i>		DATE <b>21-Aug-2008</b>	SHEET <b>11</b> OF <b>51</b>



**INVENTEC**

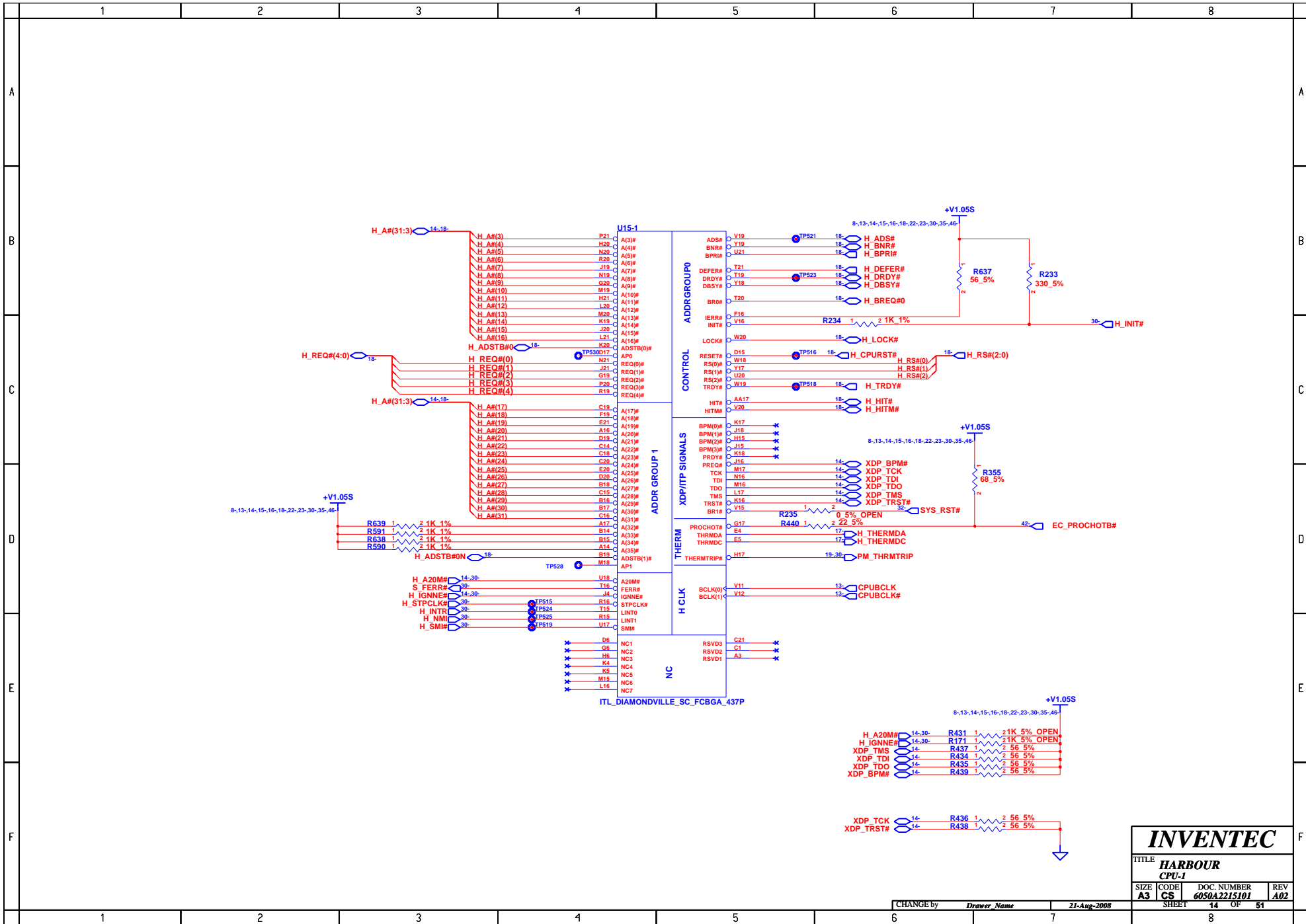
TITLE **HARBOUR**  
**Power 8**

SIZE <b>A3</b>	CODE <b>CS</b>	DOC. NUMBER <b>6050A2215101</b>	REV <b>A02</b>
-------------------	-------------------	------------------------------------	-------------------



CLKBSEL0	CLKBSEL1	CLKBSEL2	CPU MHZ
1	0	1	100MHZ
1	0	0	133MHZ
1	1	0	167MHZ
0	1	0	200MHZ

<b>INVENTEC</b>			
TITLE <b>HARBOR</b> Clock			
SIZE <b>A3</b>	CODE <b>CS</b>	DWG. NUMBER <b>0050A2215101</b>	REV <b>A02</b>
CHANGE by <i>Drawer Name</i>		DATE <b>21-Aug-2008</b>	SHEET <b>13</b> OF <b>51</b>



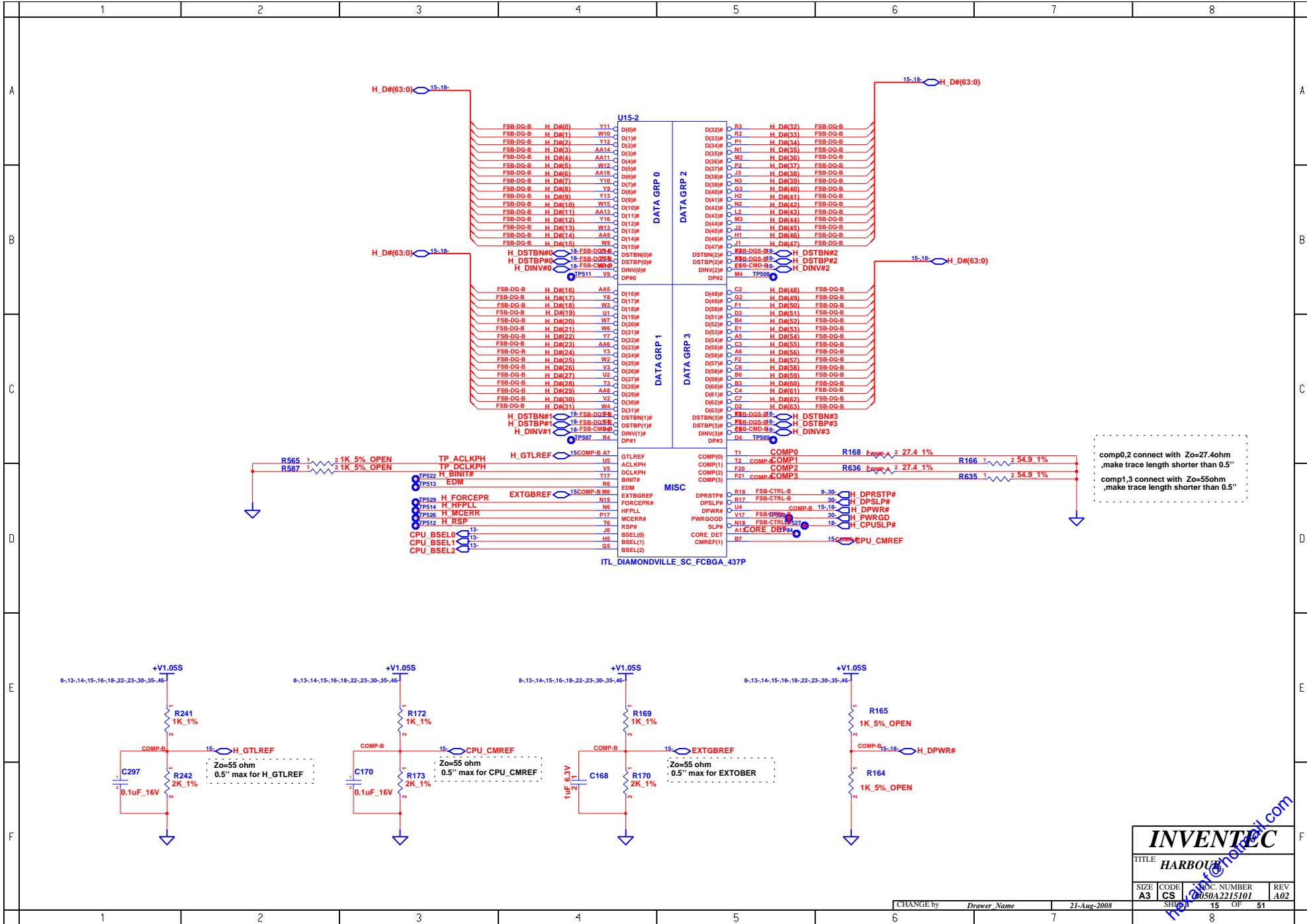
# INVENTEC

TITLE **HARBOUR CPU-1**

SIZE <b>A3</b>	CODE <b>CS</b>	DOC. NUMBER <b>6050A2215101</b>	REV <b>A02</b>
----------------	----------------	---------------------------------	----------------

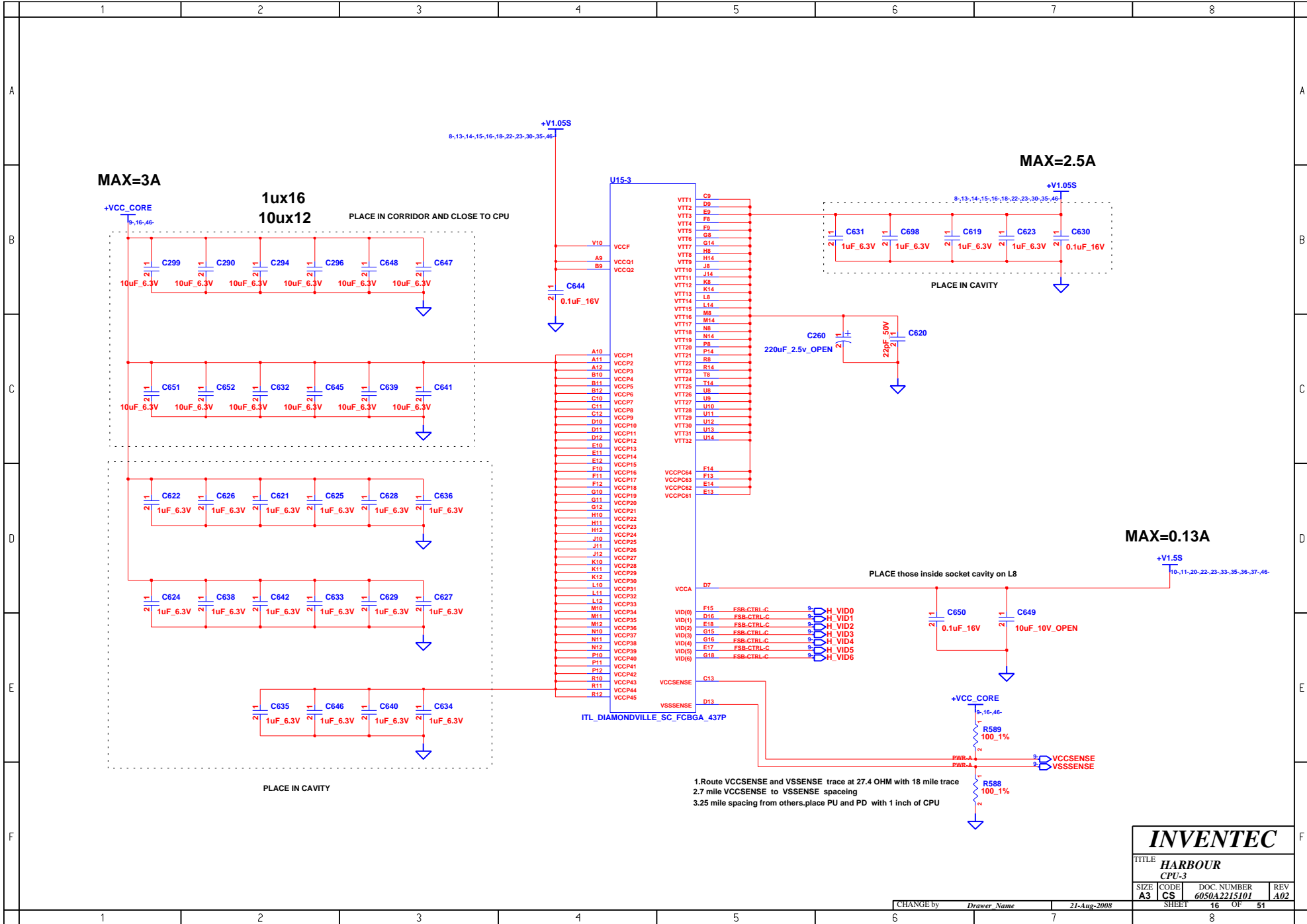
CHANGE by *Drawer Name* 21-Aug-2008

SHEET 14 OF 51



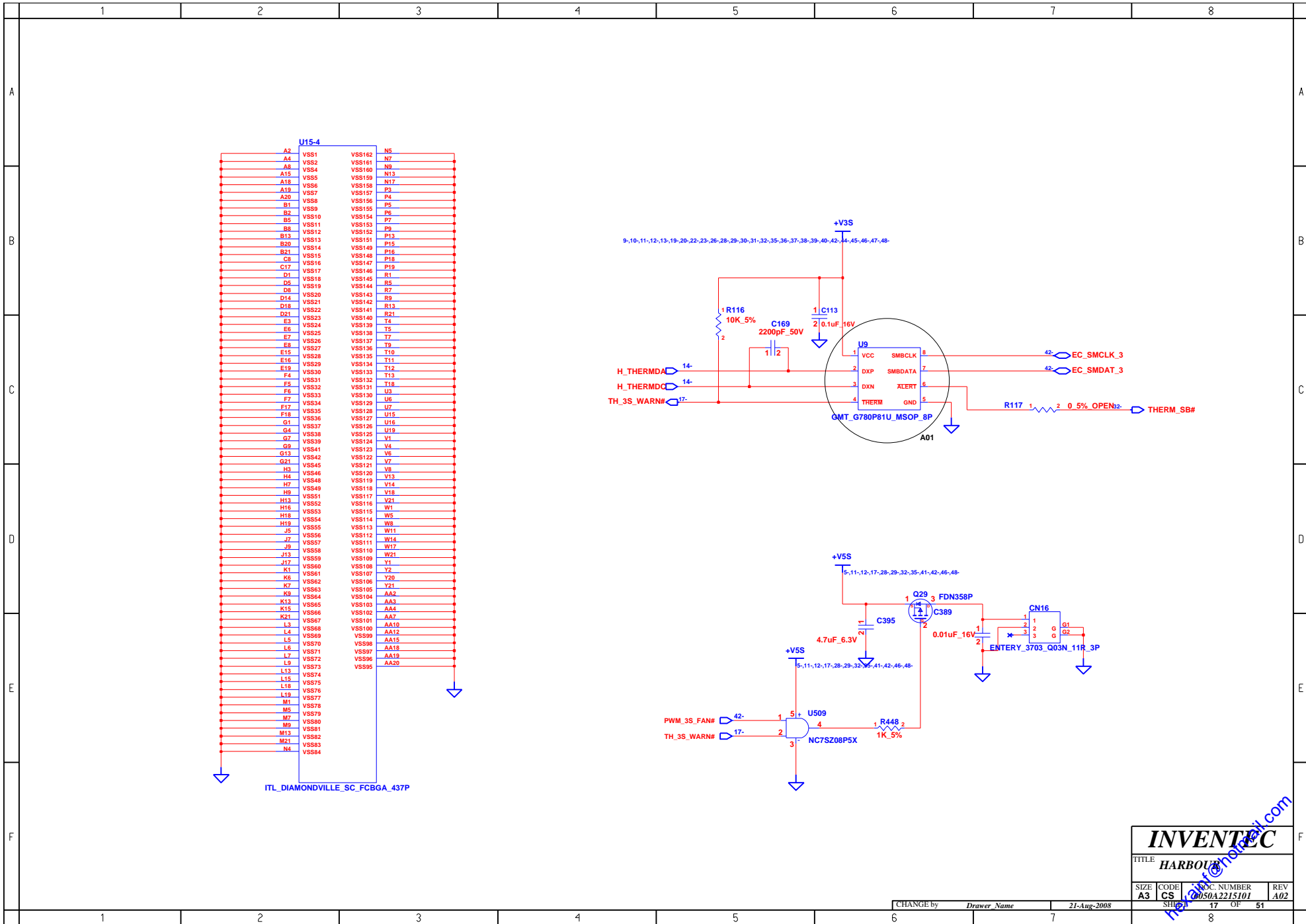
comp0,2 connect with Zo=27.4ohm  
 ,make trace length shorter than 0.5"  
 comp1,3 connect with Zo=55ohm  
 ,make trace length shorter than 0.5"

<b>INVENTEC</b>			
TITLE: HARBOR			
SIZE: A3	CODE: CS	DOC. NUMBER: 06050A2215101	REV: A02
CHANGE by: Drawer Name		21-Aug-2008	15 OF 51



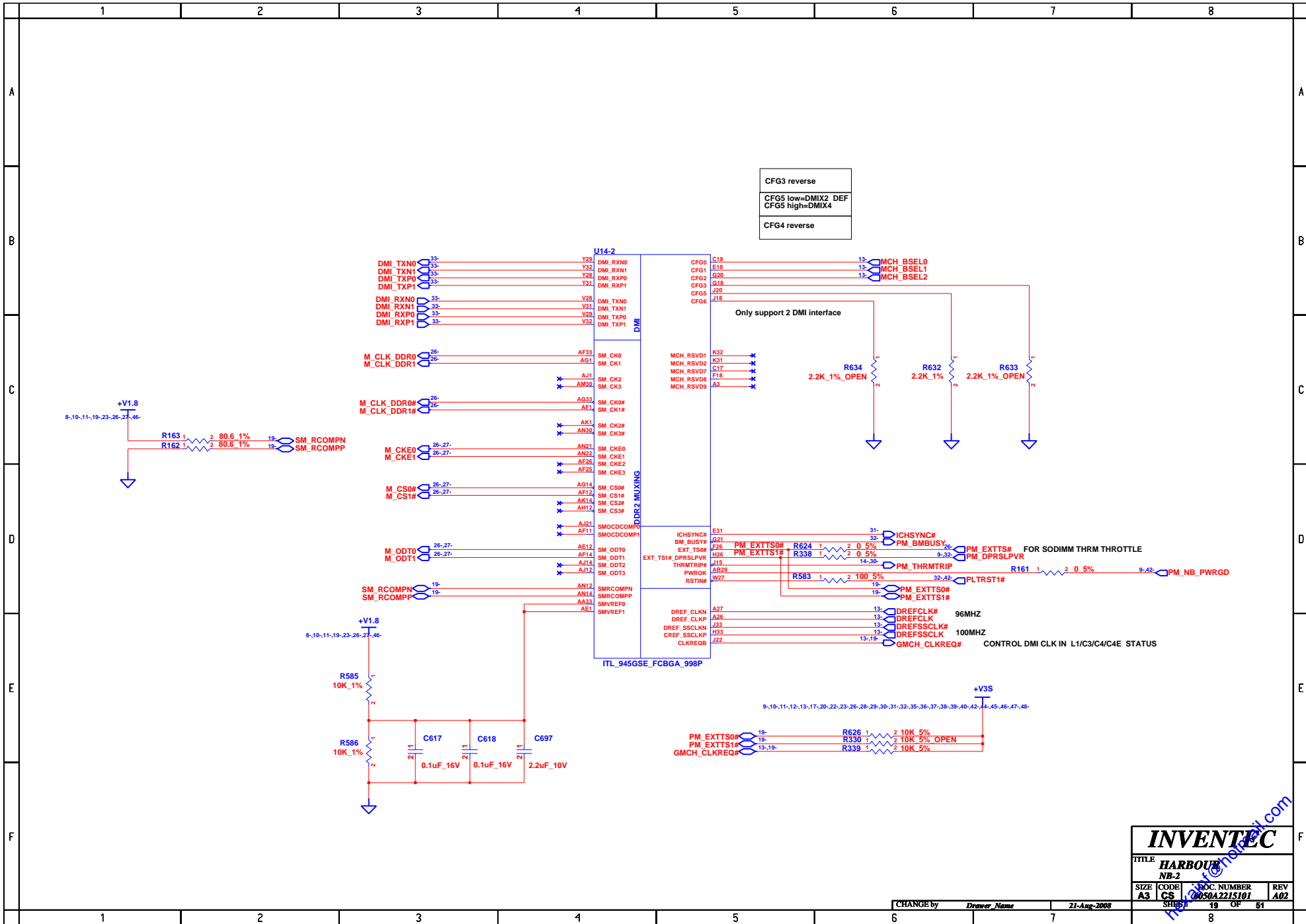
<b>INVENTEC</b>			
TITLE <b>HARBOUR</b>			
CPU-3			
SIZE <b>A3</b>	CODE <b>CS</b>	DOC. NUMBER <b>6050A2215101</b>	REV <b>A02</b>
CHANGE by <i>Drawer Name</i>		21-Aug-2008	SHEET 16 OF 51





**INVENTEC**  
 TITLE: HARBOR@ndr@il.com  
 SIZE: A3 CODE: CS DOC NUMBER: 0050A2215101 REV: A02  
 SHEET: 17 OF 51  
 CHANGE by: Drawer Name 21-Aug-2008





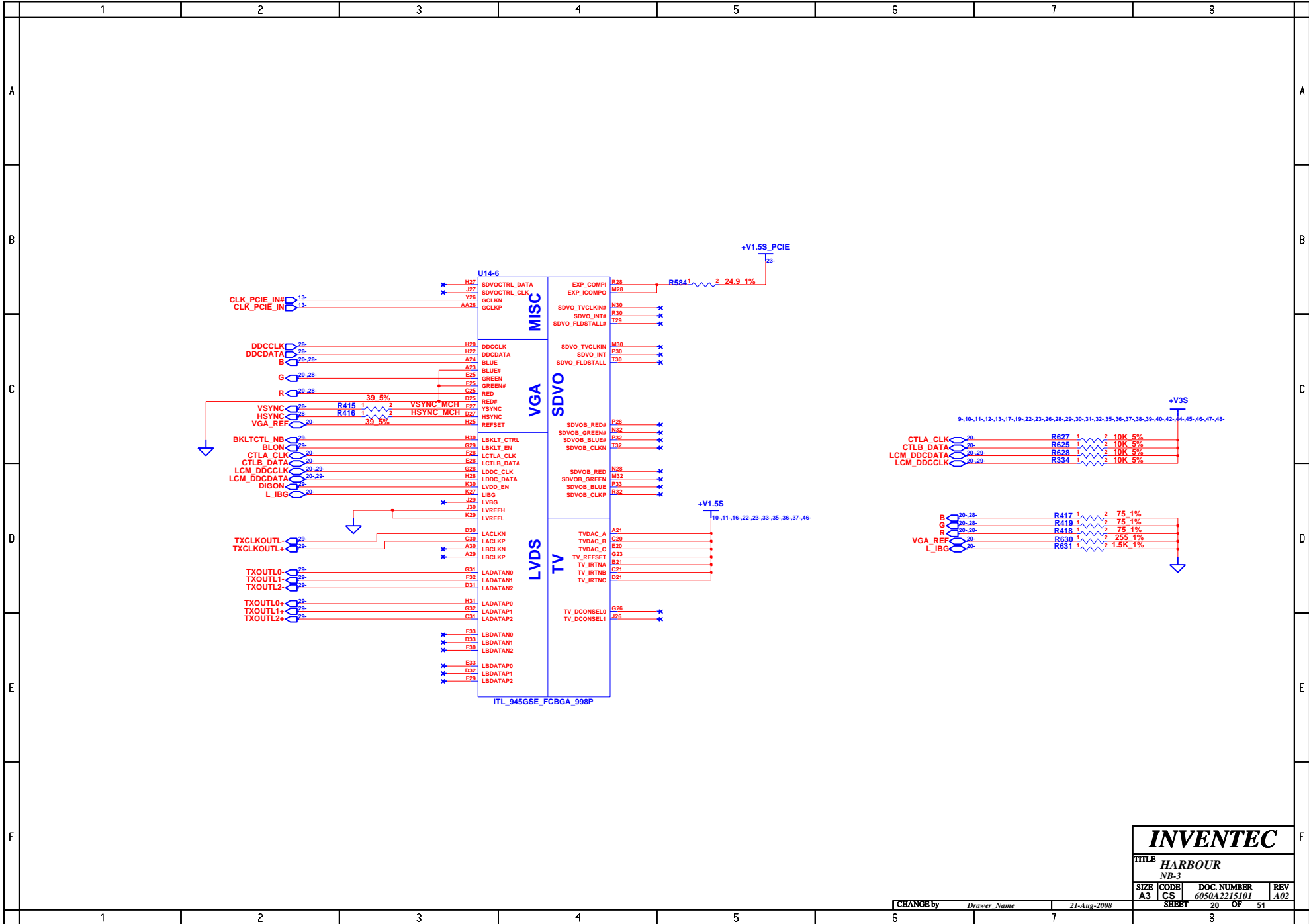
CFG3 reverse
CFG5 low=DMIX2 DEF
CFG5 high=DMIX4
CFG4 reverse

Only support 2 DMI interface

FOR SODIMM THRM THROTTLE

CONTROL DMI CLK IN L1/C3/C4/C4E STATUS

<b>INVENTEC</b>			
TITLE <b>HARBOR NB-2</b>			
SIZE <b>A3</b>	CODE <b>CS</b>	DOC. NUMBER <b>0050A2215101</b>	REV <b>A02</b>
CHANGE by <i>Drawer Name</i>		21-Aug-2008	Sheet 19 OF 51

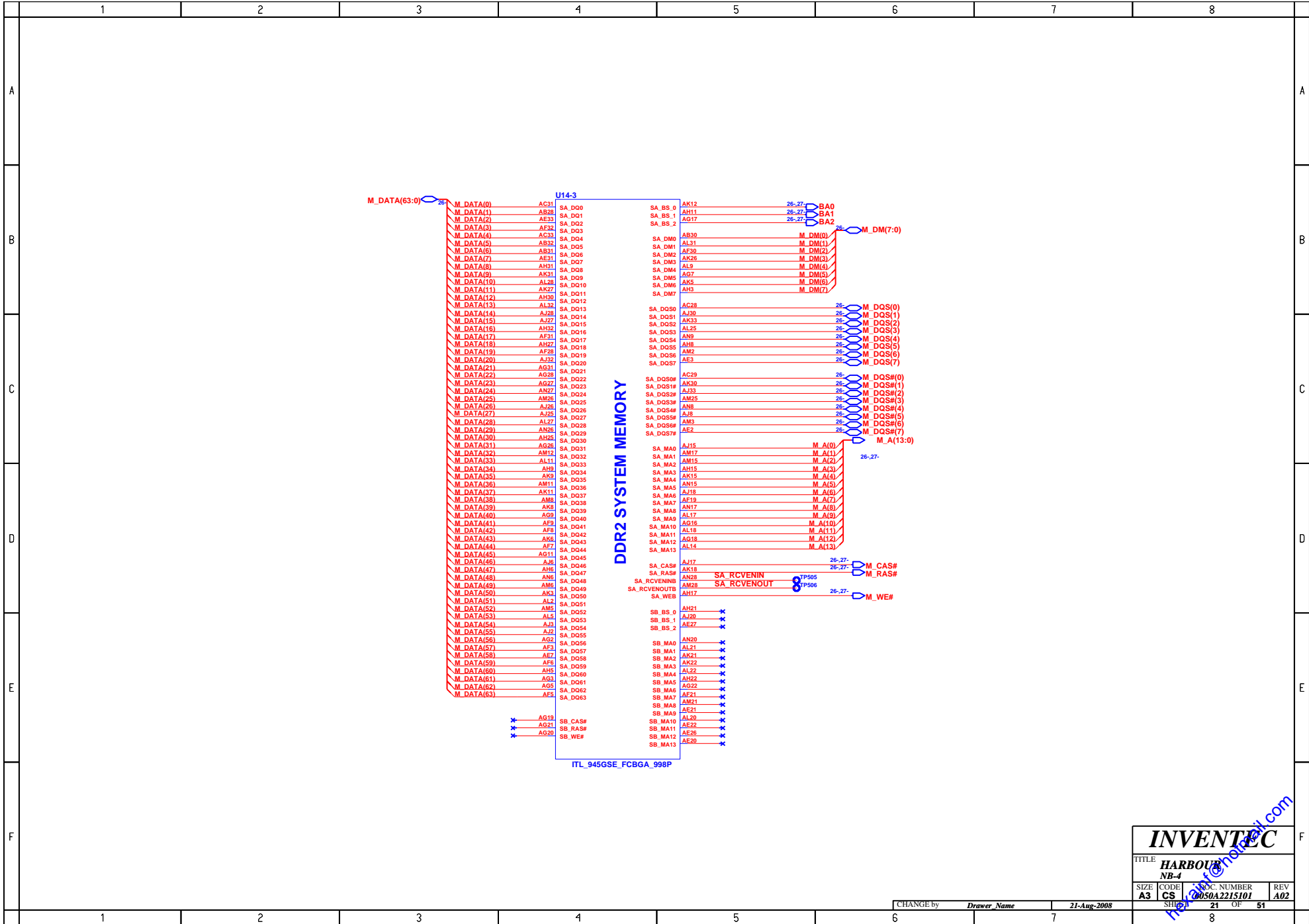


**INVENTEC**

TITLE **HARBOUR**  
 NB-3

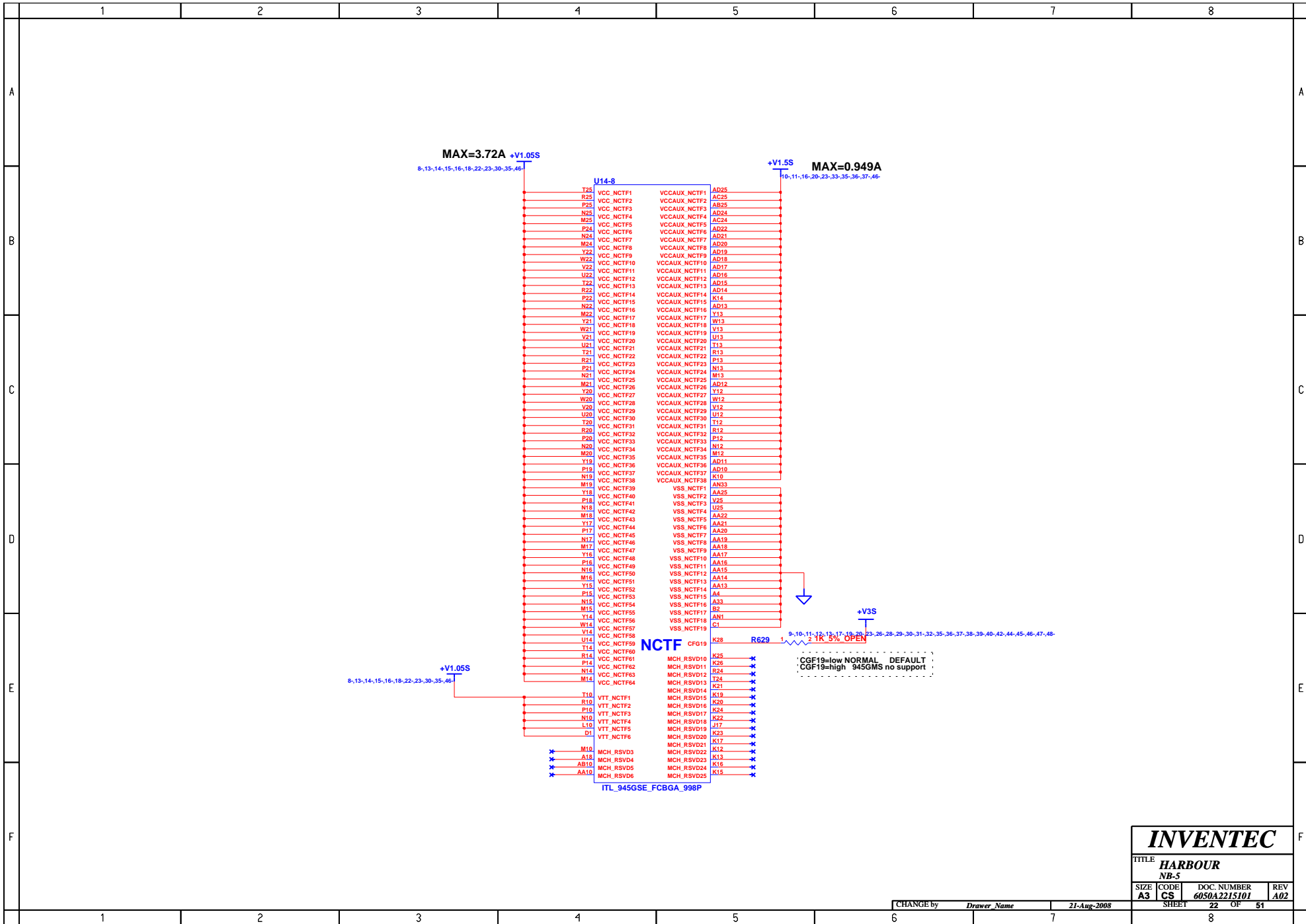
SIZE	CODE	DOC. NUMBER	REV
A3	CS	6050A2215101	A02

CHANGE by *Drawer Name* 21-Aug-2008



<b>INVENTEC</b>			
TITLE <b>HARBOR NB-4</b>			
SIZE <b>A3</b>	CODE <b>CS</b>	DOC. NUMBER <b>0050A2215101</b>	REV <b>A02</b>
SHEET <b>21</b>		OF <b>51</b>	

CHANGE by *Drawer Name* 21-Aug-2008



<b>INVENTEC</b>			
TITLE <b>HARBOUR</b>			
NB-5			
SIZE <b>A3</b>	CODE <b>CS</b>	DOC. NUMBER <b>6050A2215101</b>	REV <b>A02</b>
CHANGE by <i>Drawer Name</i>		21-Aug-2008	SHEET 22 OF 51



	1	2	3	4	5	6	7	8
A								
B								
C								
D								
E								
F								

U14-5

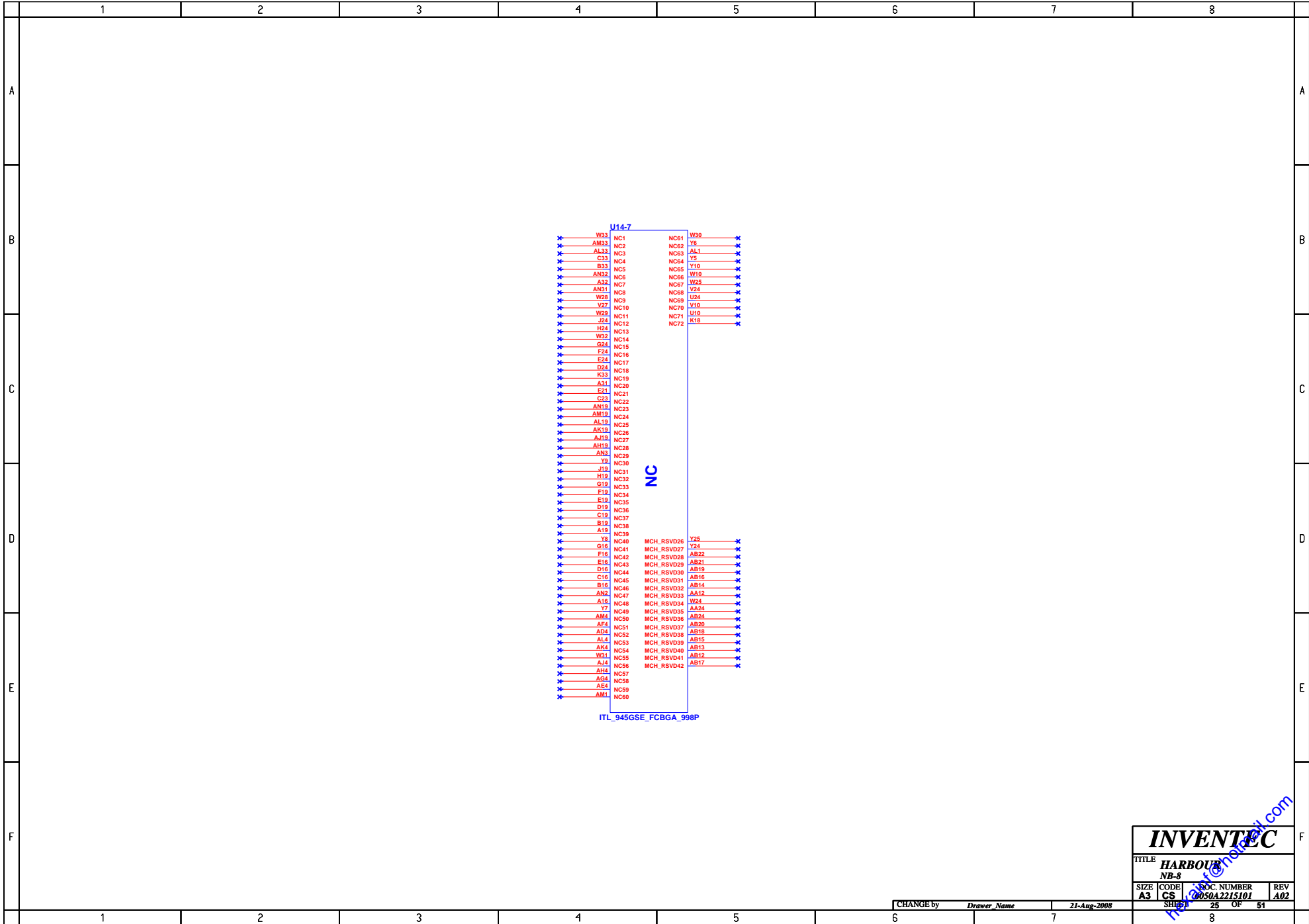
AH33	VSS1	VSS111	J18
Y33	VSS2	VSS112	AL15
V33	VSS3	VSS113	AG15
R33	VSS4	VSS114	W15
G33	VSS5	VSS115	R15
AK33	VSS6	VSS116	D15
AG32	VSS7	VSS117	D15
AE32	VSS8	VSS118	AM14
AC32	VSS9	VSS119	AH14
AA32	VSS10	VSS120	AE14
U32	VSS11	VSS121	H14
H32	VSS12	VSS122	B14
E32	VSS13	VSS123	D13
C32	VSS14	VSS124	D13
AM31	VSS15	VSS125	AL12
AJ31	VSS16	VSS126	AG12
AA31	VSS17	VSS127	H12
U31	VSS18	VSS128	B12
T31	VSS19	VSS129	AM11
VSS20	VSS20	VSS130	AJ11
R31	VSS21	VSS131	AE11
F31	VSS22	VSS132	AM9
N31	VSS23	VSS133	AJ9
M31	VSS24	VSS134	AB9
J31	VSS25	VSS135	M9
F31	VSS26	VSS136	B9
AL30	VSS27	VSS137	M9
AG30	VSS28	VSS138	J9
AE30	VSS29	VSS139	C9
AC30	VSS30	VSS140	C9
AA30	VSS31	VSS141	A9
Y30	VSS32	VSS142	AL8
V30	VSS33	VSS143	AG8
U30	VSS34	VSS144	AE8
G30	VSS35	VSS145	J8
E30	VSS36	VSS146	AAZ
R30	VSS37	VSS147	J7
AA29	VSS38	VSS148	R7
U29	VSS39	VSS149	H7
R29	VSS40	VSS150	H7
P29	VSS41	VSS151	E7
N29	VSS42	VSS152	B7
M29	VSS43	VSS153	AL6
H29	VSS44	VSS154	AG6
E29	VSS45	VSS155	AE6
B29	VSS46	VSS156	AB6
AK28	VSS47	VSS157	W6
AH28	VSS48	VSS158	T6
AE28	VSS49	VSS159	M6
AA28	VSS50	VSS160	K6
U28	VSS51	VSS161	ANS
T28	VSS52	VSS162	AL5
J28	VSS53	VSS163	B5
D28	VSS54	VSS164	AA4
AM27	VSS55	VSS165	J4
AF27	VSS56	VSS166	R4
AB27	VSS57	VSS167	N4
AA27	VSS58	VSS168	K4
U27	VSS59	VSS169	H4
T27	VSS60	VSS170	E4
R27	VSS61	VSS171	AL3
P27	VSS62	VSS172	AD3
N27	VSS63	VSS173	H3
M27	VSS64	VSS174	T3
G27	VSS65	VSS175	B3
E27	VSS66	VSS176	AK2
C27	VSS67	VSS177	AH2
B27	VSS68	VSS178	AF2
AL26	VSS69	VSS179	AB2
AH26	VSS70	VSS180	M2
W26	VSS71	VSS181	H2
U26	VSS72	VSS182	H2
AN25	VSS73	VSS183	E2
AK25	VSS74	VSS184	W1
AG25	VSS75	VSS185	B1
AE25	VSS76	VSS185	B1
J25	VSS77		
G25	VSS78		
A25	VSS79		
H23	VSS80		
F23	VSS81		
B23	VSS82		
AM22	VSS83		
AJ22	VSS84		
AF22	VSS85		
G22	VSS86		
E22	VSS87		
J21	VSS88		
H21	VSS89		
F21	VSS90		
AM20	VSS91		
AK20	VSS92		
AH20	VSS93		
AF20	VSS94		
D20	VSS95		
W19	VSS96		
R19	VSS97		
AM18	VSS98		
AH18	VSS99		
AF18	VSS100		
JH18	VSS101		
H18	VSS102		
D18	VSS103		
AK17	VSS104		
V17	VSS105		
T17	VSS106		
F17	VSS107		
B17	VSS108		
AH16	VSS109		
U16	VSS110		

ITL 945GSE\_FCBGA 998P

<b>INVENTEC</b>			
TITLE <b>HARBOUR</b>			
NB-7			
SIZE	CODE	DOC. NUMBER	REV
A3	CS	6050A2215101	A02
SHEET		24	OF 51

CHANGE by *Drawer Name* 21-Aug-2008



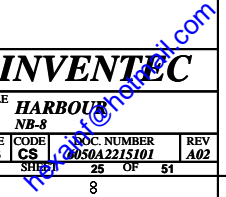


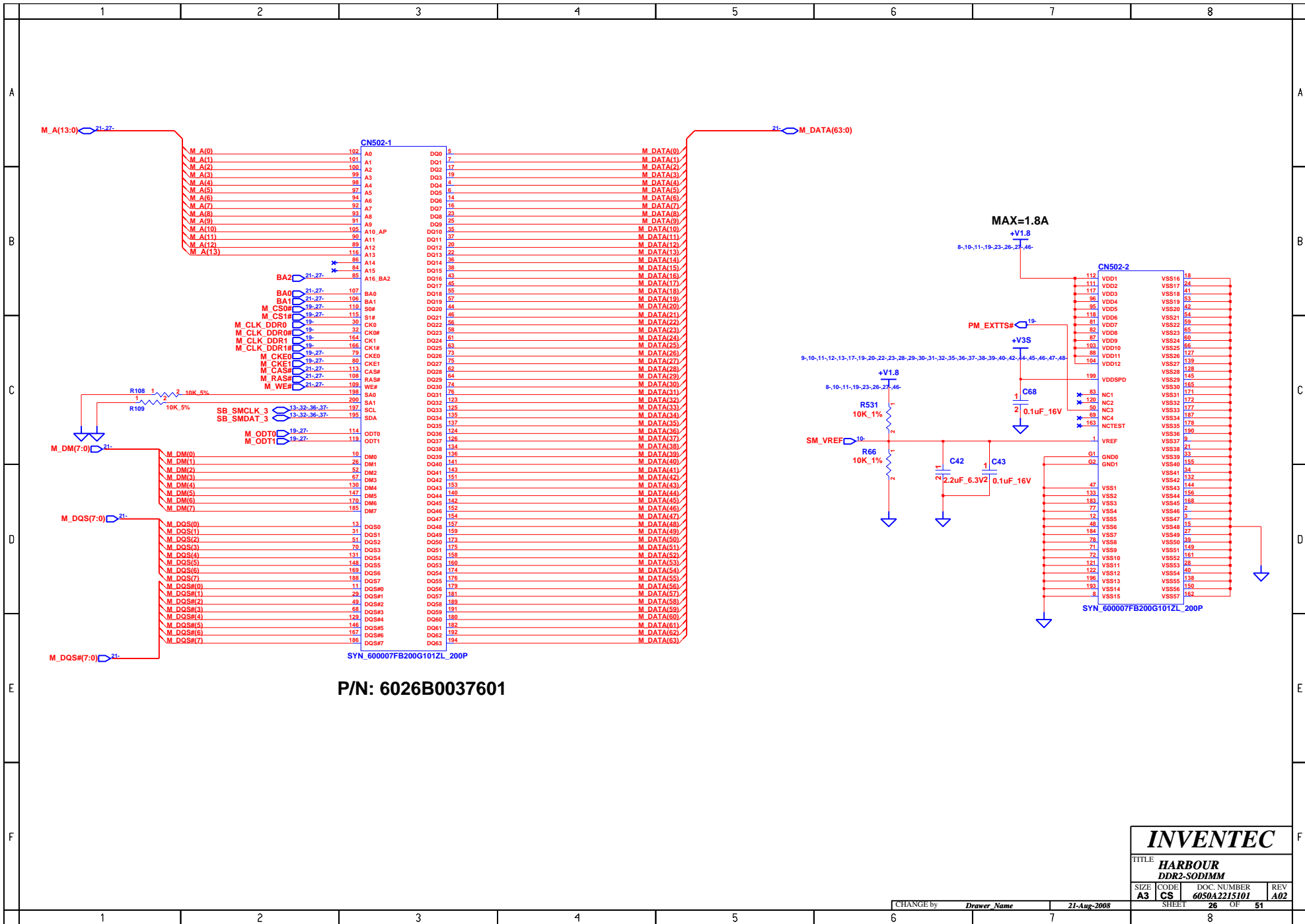
**INVENTEC**

TITLE **HARBOR NB-8**

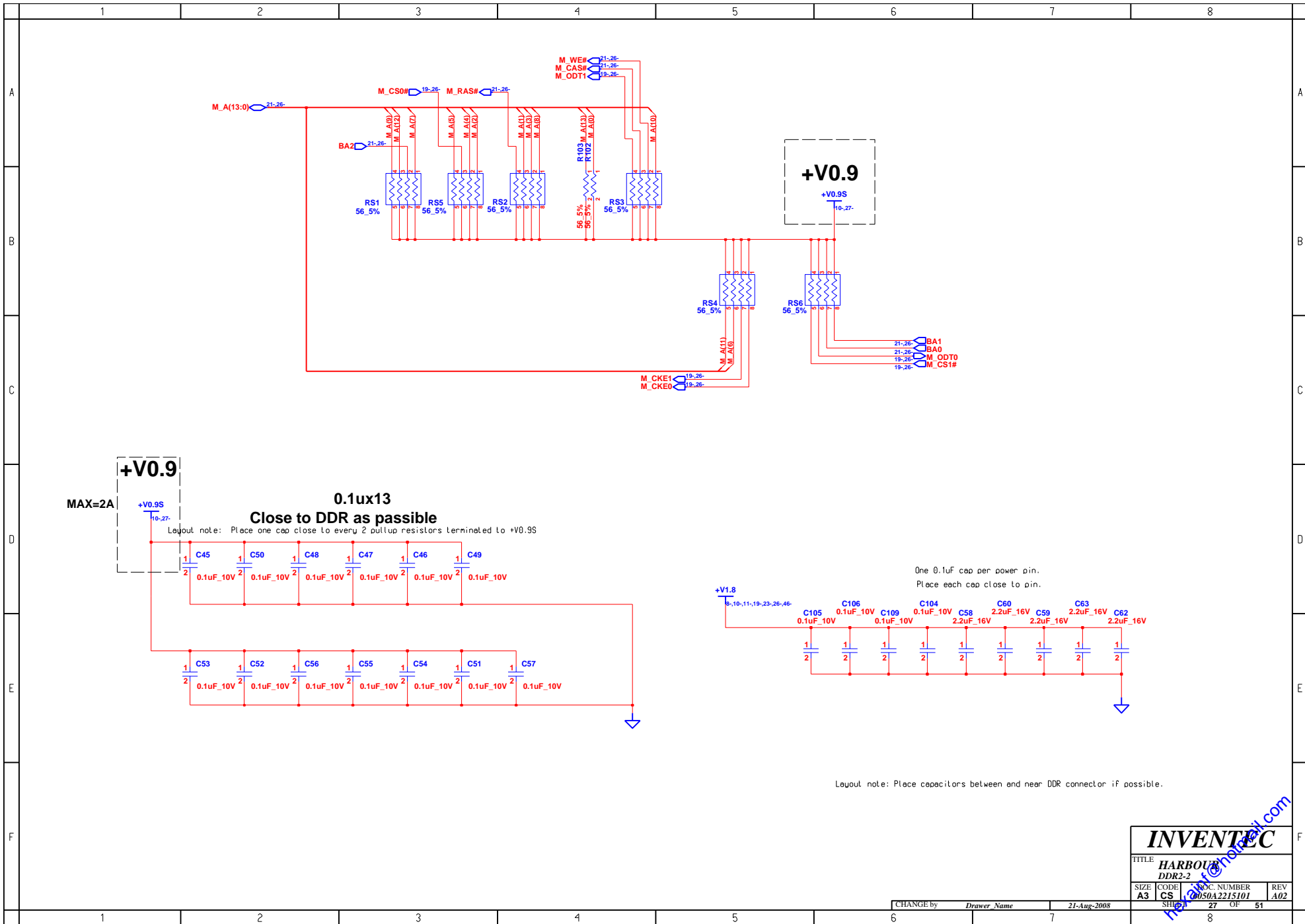
SIZE <b>A3</b>	CODE <b>CS</b>	DWG. NUMBER <b>0050A2215101</b>	REV <b>A02</b>
SHEET <b>25</b>		OF <b>51</b>	

CHANGE by *Drawer Name* 21-Aug-2008





<b>INVENTEC</b>			
TITLE <b>HARBOUR</b> <b>DDR2-SODIMM</b>			
SIZE <b>A3</b>	CODE <b>CS</b>	DOC. NUMBER <b>6050A2215101</b>	REV <b>A02</b>
CHANGE by <i>Drawer Name</i>		21-Aug-2008	SHEET 26 OF 51



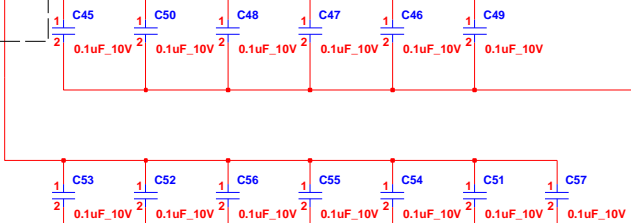
**+V0.9**

MAX=2A

+V0.9S  
16-27

**0.1uF x 13**  
**Close to DDR as possible**

Layout note: Place one cap close to every 2 pullup resistors terminated to +V0.9S



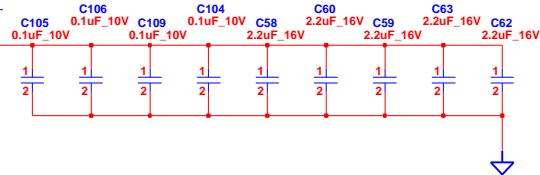
**+V0.9**

+V0.9S  
16-27

**+V1.8**

8-10-11-19-23-26-46

One 0.1uF cap per power pin.  
Place each cap close to pin.



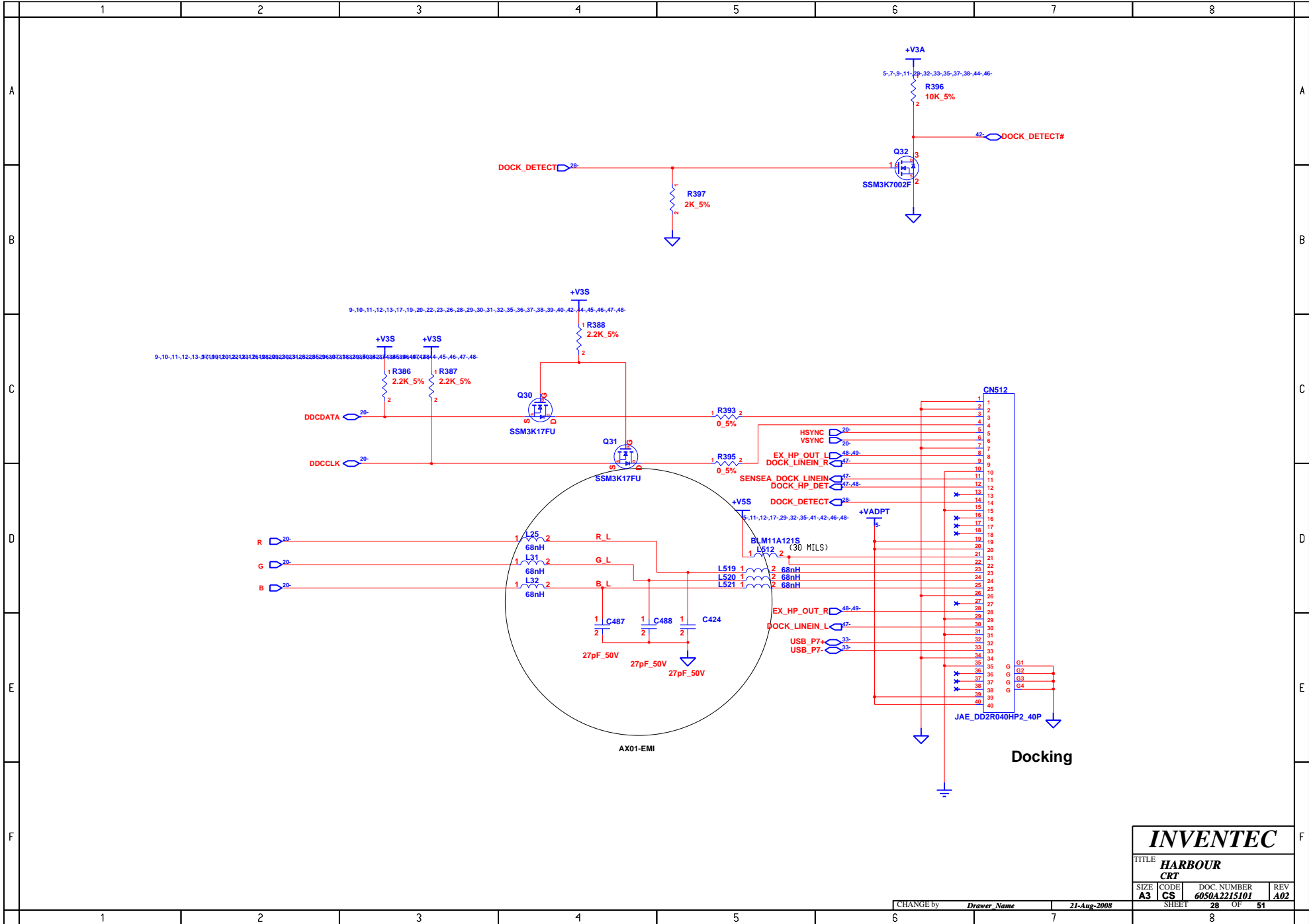
Layout note: Place capacitors between and near DDR connector if possible.

**INVENTEC**

TITLE			
HARBOR			
DDR2-2			
SIZE	CODE	DOC. NUMBER	REV
A3	CS	0050A2215101	A02
SHEET	27 OF		51

CHANGE by *Drawer Name* 21-Aug-2008

8

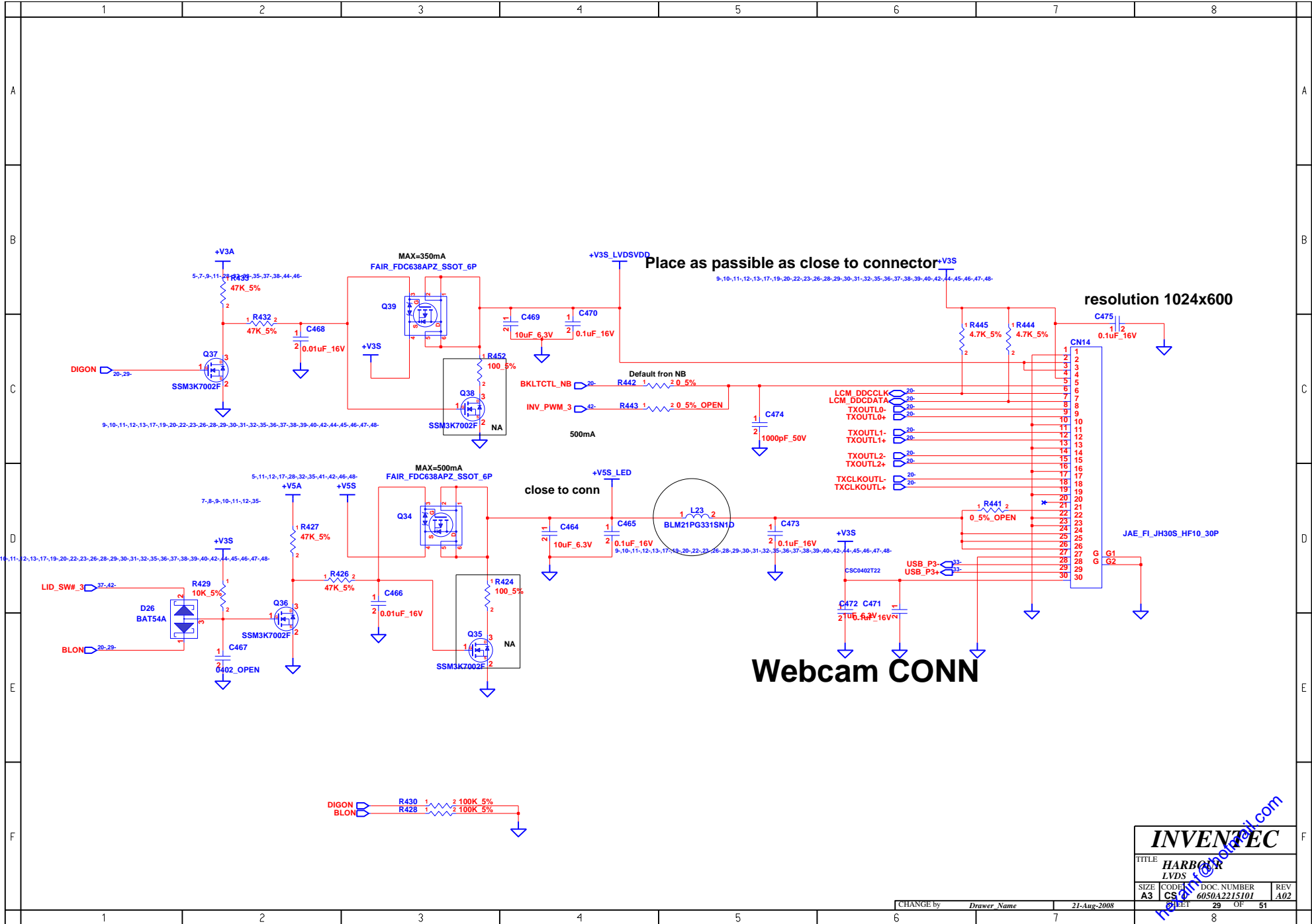


Docking

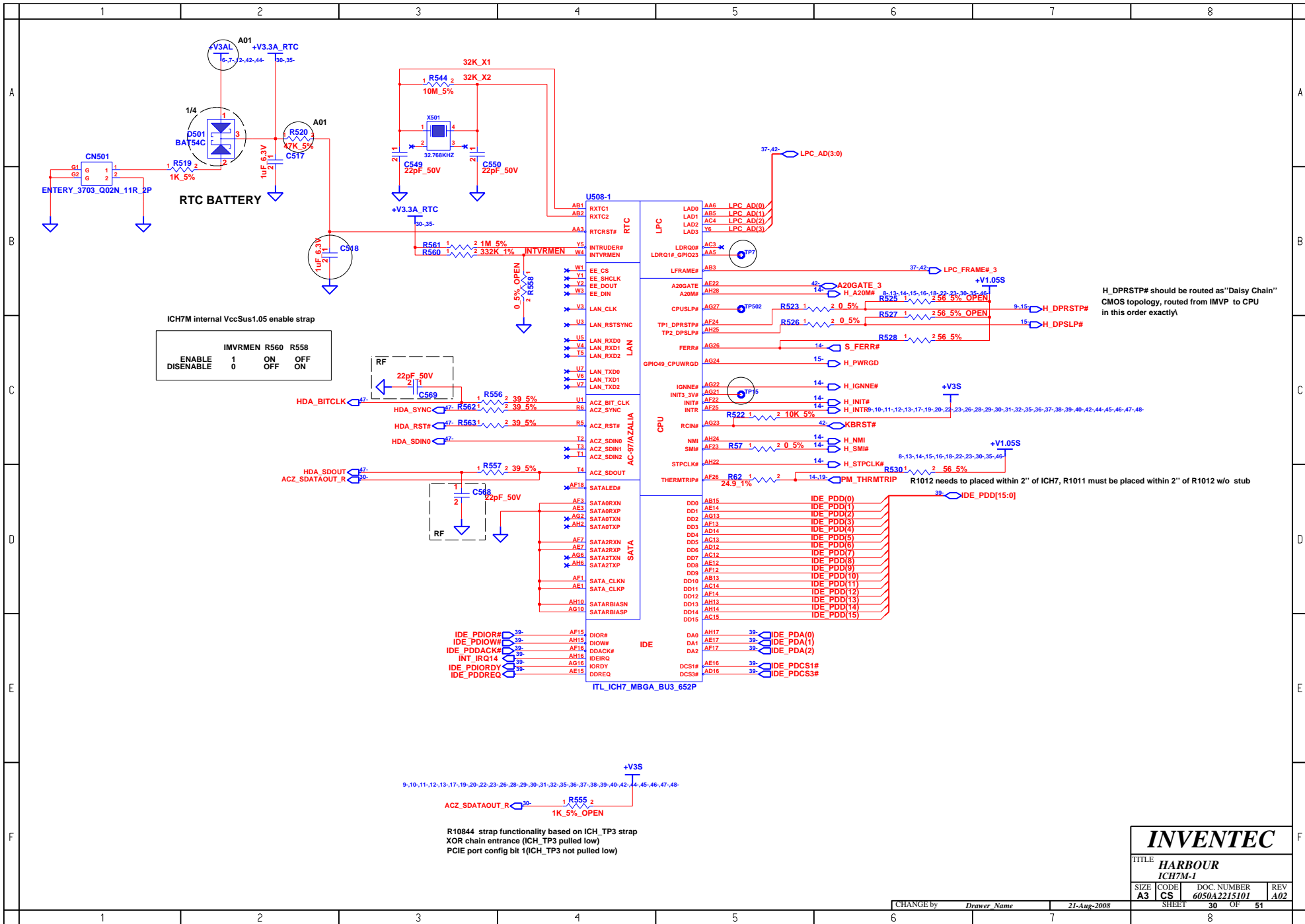
**INVENTEC**

TITLE **HARBOUR CRT**

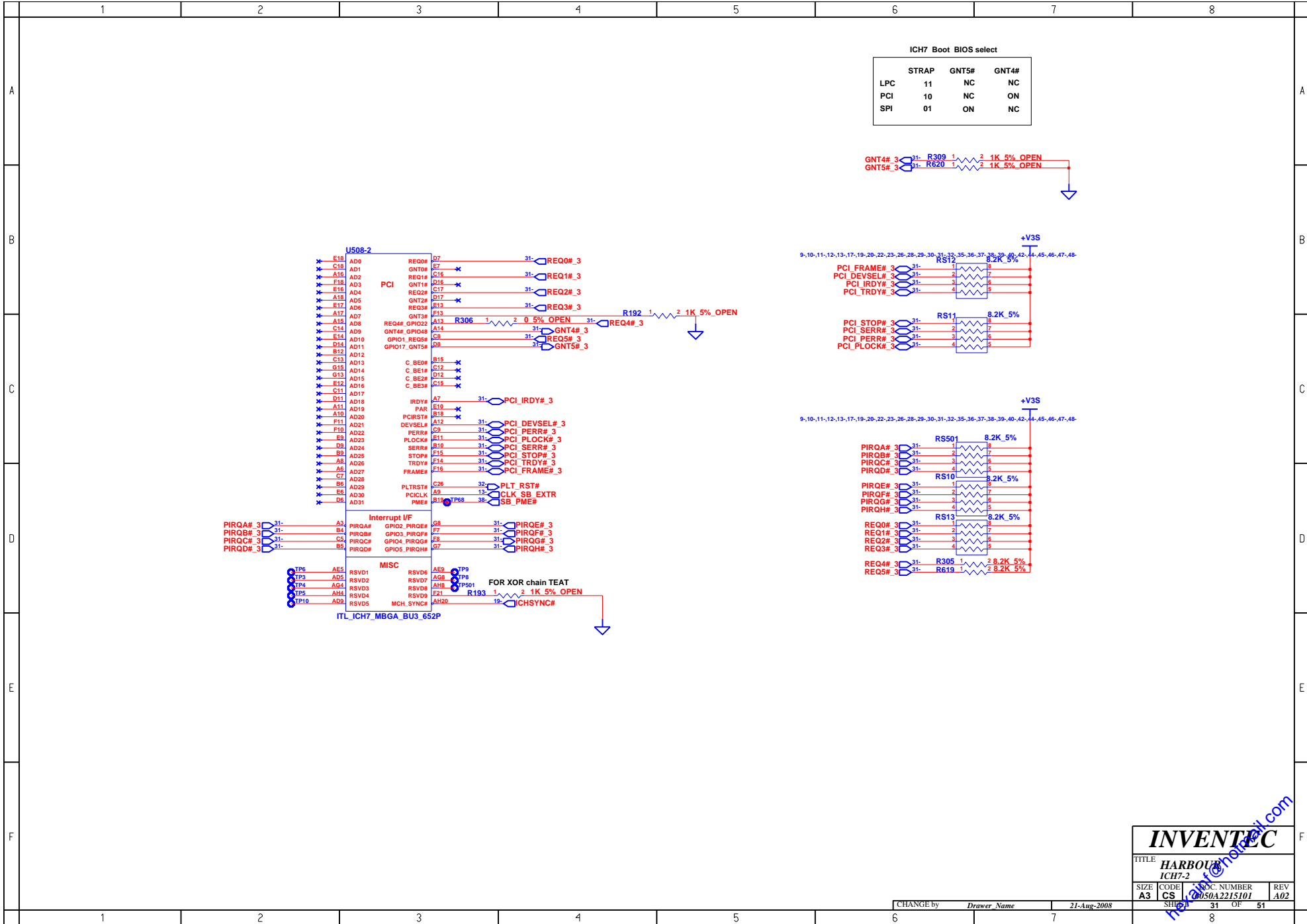
SIZE <b>A3</b>	CODE <b>CS</b>	DOC. NUMBER <b>6050A2215101</b>	REV <b>A02</b>
----------------	----------------	---------------------------------	----------------

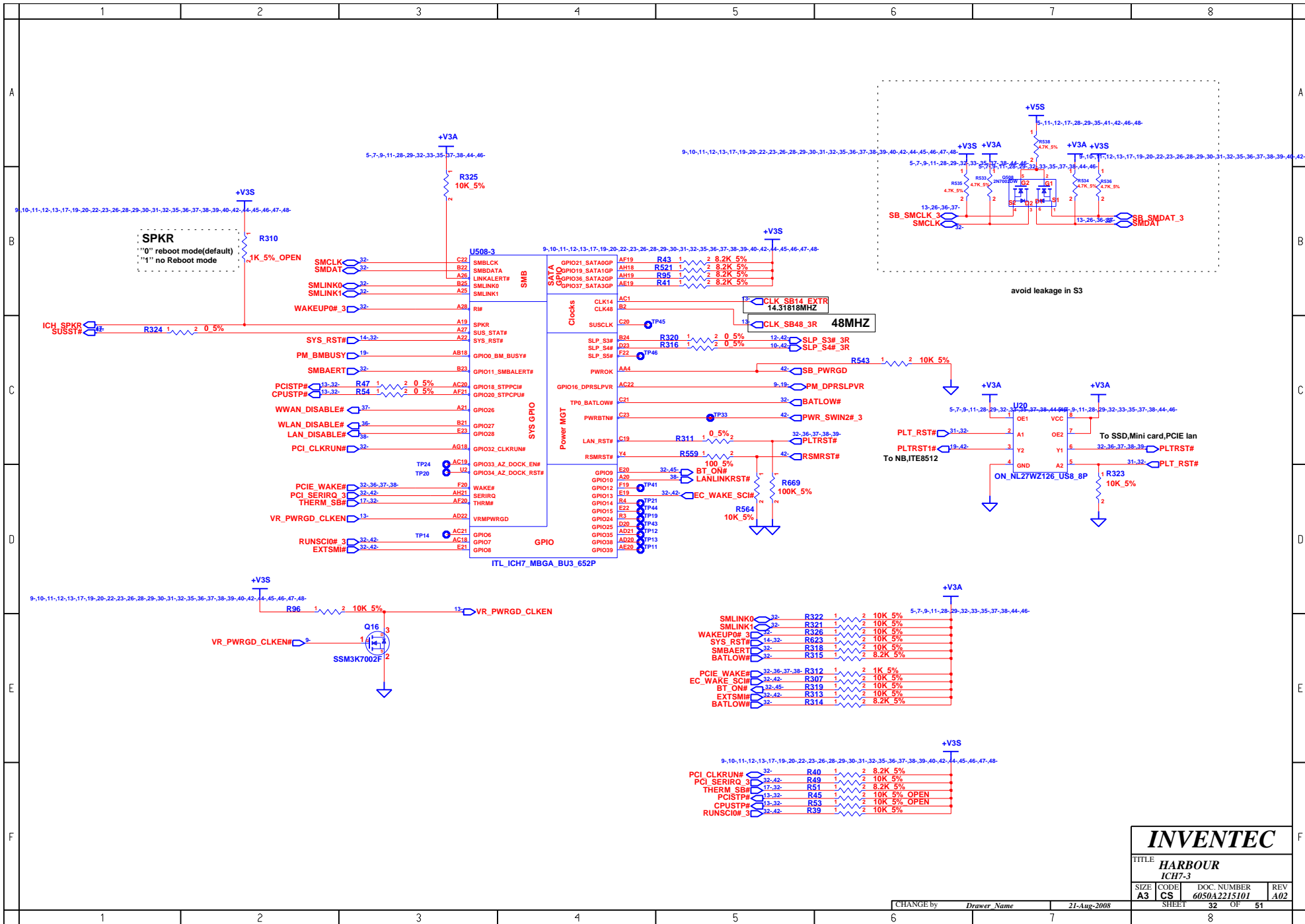


<b>INVENTEC</b>			
TITLE <b>HARBOR LVDS</b>			
SIZE <b>A3</b>	CODE <b>CS 0</b>	DOC. NUMBER <b>6050A2215101</b>	REV <b>A02</b>
CHANGE by <i>Drawer Name</i>		DATE <b>21-Aug-2008</b>	PAGE <b>29</b> OF <b>51</b>



<b>INVENTEC</b>			
TITLE <b>HARBOUR</b> <b>ICH7M-1</b>			
SIZE <b>A3</b>	CODE <b>CS</b>	DOC. NUMBER <b>6050A2215101</b>	REV <b>A02</b>
CHANGE by <i>Drawer Name</i>		21-Aug-2008	SHEET 30 OF 51

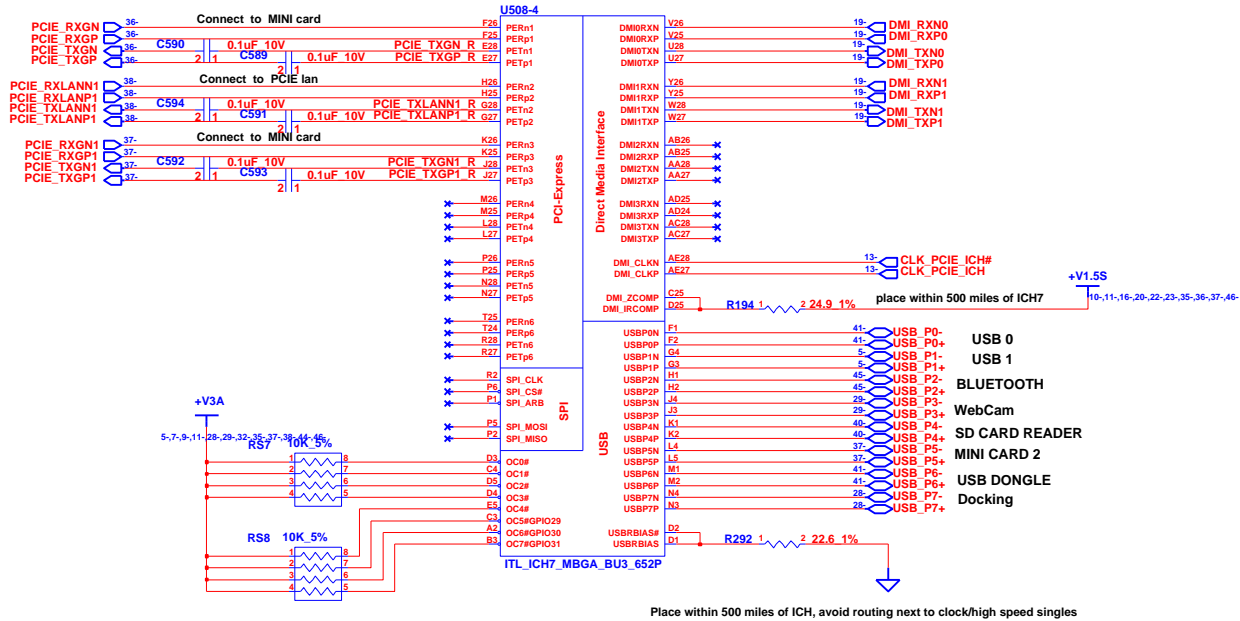




<b>INVENTEC</b>			
TITLE <b>HARBOUR</b>			
ICH7-3			
SIZE <b>A3</b>	CODE <b>CS</b>	DOC. NUMBER <b>6050A2215101</b>	REV <b>A02</b>
CHANGE by <i>Drawer Name</i>		21-Aug-2008	
SHEET <b>32</b>		OF <b>51</b>	



PCIE AC coupling caps need to be within 250 miles of the driver



Place within 500 miles of ICH, avoid routing next to clock/high speed singles

<b>INVENTEC</b>			
TITLE: <b>HARBOR ICH7-4</b>			
SIZE: <b>A3</b>	CODE: <b>CS</b>	DOC. NUMBER: <b>0050A2215101</b>	REV: <b>A02</b>
CHANGE by: <i>Drawer Name</i>		21-Aug-2008	33 OF 51

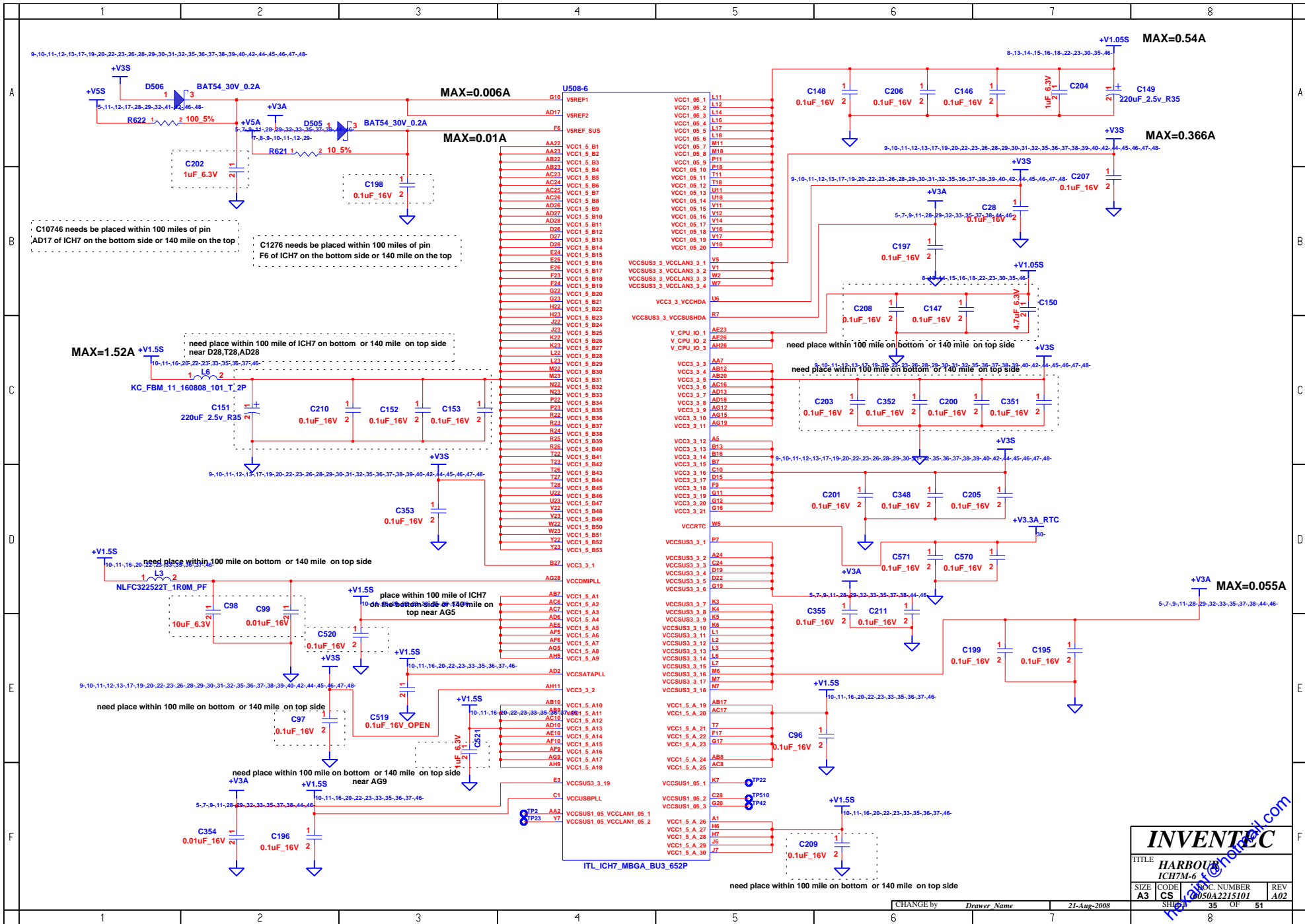
	1	2	3	4	5	6	7	8	
A									A
B									B
C									C
D									D
E									E
F									F

U508-5

A4	VSS1	VSS98	P28
A63	VSS2	VSS99	R1
B1	VSS3	VSS100	R11
B8	VSS4	VSS101	R12
B11	VSS5	VSS102	R13
B14	VSS6	VSS103	R14
B17	VSS7	VSS104	R15
B20	VSS8	VSS105	R16
B26	VSS9	VSS106	R17
B28	VSS10	VSS107	R18
C2	VSS11	VSS108	T6
C8	VSS12	VSS109	T12
C27	VSS13	VSS110	T13
D10	VSS14	VSS111	T14
D13	VSS15	VSS112	T15
D18	VSS16	VSS113	T16
D21	VSS17	VSS114	T17
D24	VSS18	VSS115	U4
E1	VSS19	VSS116	U12
E2	VSS20	VSS117	U13
E4	VSS21	VSS118	U14
E8	VSS22	VSS119	U15
E15	VSS23	VSS120	U16
F3	VSS24	VSS121	U17
F4	VSS25	VSS122	U24
F5	VSS26	VSS123	U25
F12	VSS27	VSS124	U26
F27	VSS28	VSS125	V2
F28	VSS29	VSS126	V13
G1	VSS30	VSS127	V15
G2	VSS31	VSS128	V24
G5	VSS32	VSS129	V27
G6	VSS33	VSS130	V28
G9	VSS34	VSS131	W5
G14	VSS35	VSS132	W24
G18	VSS36	VSS133	W25
G21	VSS37	VSS134	W26
G24	VSS38	VSS135	V3
G25	VSS39	VSS136	V24
G26	VSS40	VSS137	V27
H3	VSS41	VSS138	Y28
H4	VSS42	VSS139	AA1
H5	VSS43	VSS140	AA24
H24	VSS44	VSS141	AA25
H27	VSS45	VSS142	AA26
H28	VSS46	VSS143	AB4
J1	VSS47	VSS144	AB6
J2	VSS48	VSS145	AB11
J5	VSS49	VSS146	AB14
J24	VSS50	VSS147	AB16
J25	VSS51	VSS148	AB19
J26	VSS52	VSS149	AB21
K24	VSS53	VSS150	AB24
K27	VSS54	VSS151	AB27
K28	VSS55	VSS152	AB28
L13	VSS56	VSS153	AC2
L15	VSS57	VSS154	AC5
L24	VSS58	VSS155	AC9
L25	VSS59	VSS156	AC11
L26	VSS60	VSS157	AD1
M3	VSS61	VSS158	AD3
M4	VSS62	VSS159	AD4
M5	VSS63	VSS160	AD7
M12	VSS64	VSS161	AD8
M13	VSS65	VSS162	AD11
M14	VSS66	VSS163	AD15
M15	VSS67	VSS164	AD19
M16	VSS68	VSS165	AD23
M17	VSS69	VSS166	AE2
M24	VSS70	VSS167	AE4
M28	VSS71	VSS168	AE8
N1	VSS72	VSS169	AE11
N2	VSS73	VSS170	AE13
N2	VSS74	VSS171	AE18
N5	VSS75	VSS172	AE21
N6	VSS76	VSS173	AE24
N11	VSS77	VSS174	AE25
N12	VSS78	VSS175	AF2
N13	VSS79	VSS176	AF4
N14	VSS80	VSS177	AF3
N15	VSS81	VSS178	AF11
N16	VSS82	VSS179	AF27
N17	VSS83	VSS180	AF28
N18	VSS84	VSS181	AG1
N24	VSS85	VSS182	AG3
N25	VSS86	VSS183	AG7
N26	VSS87	VSS184	AG11
P3	VSS88	VSS185	AG14
P4	VSS89	VSS186	AG17
P12	VSS90	VSS187	AG20
P13	VSS91	VSS188	AG25
P14	VSS92	VSS189	AH1
P15	VSS93	VSS190	AH3
P16	VSS94	VSS191	AH7
P17	VSS95	VSS192	AH12
P24	VSS96	VSS193	AH23
P27	VSS97	VSS194	AH27

ITL\_ICH7\_MBGA\_BU3\_652P

<b>INVENTEC</b>			
TITLE <b>HARBOUR</b>			
ICH7-5			
SIZE	CODE	DOC. NUMBER	REV
A3	CS	6050A2215101	A02
CHANGE by		Drawer Name	21-Aug-2008
SHEET		34	OF 51

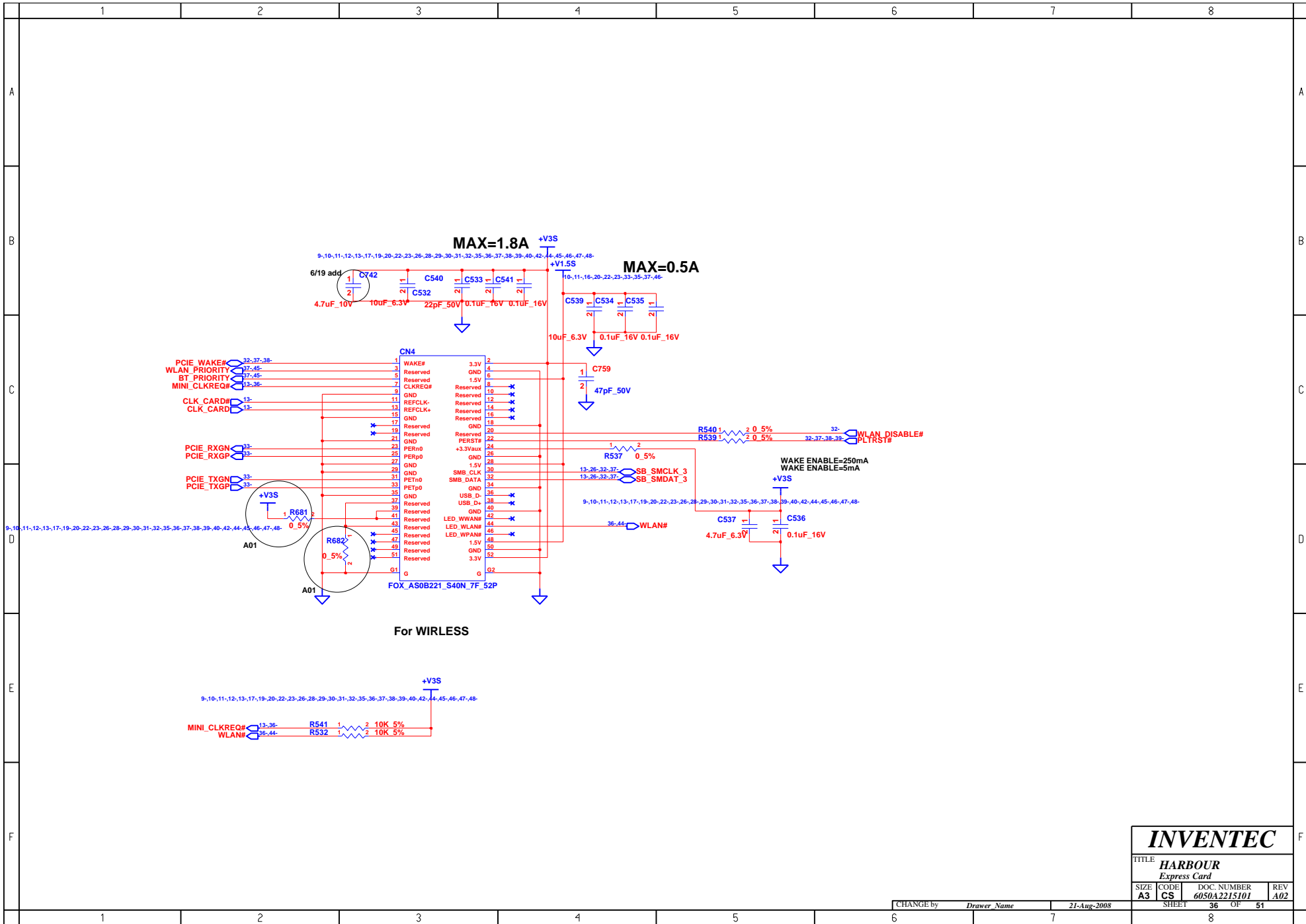


**INVENTEC**

TITLE: **HARBOR ICH7M-6**

SIZE: <b>A3</b>	CODE: <b>CS</b>	DWG. NUMBER: <b>050A2215101</b>	REV: <b>A02</b>
SHEET: <b>35</b>		OF: <b>51</b>	

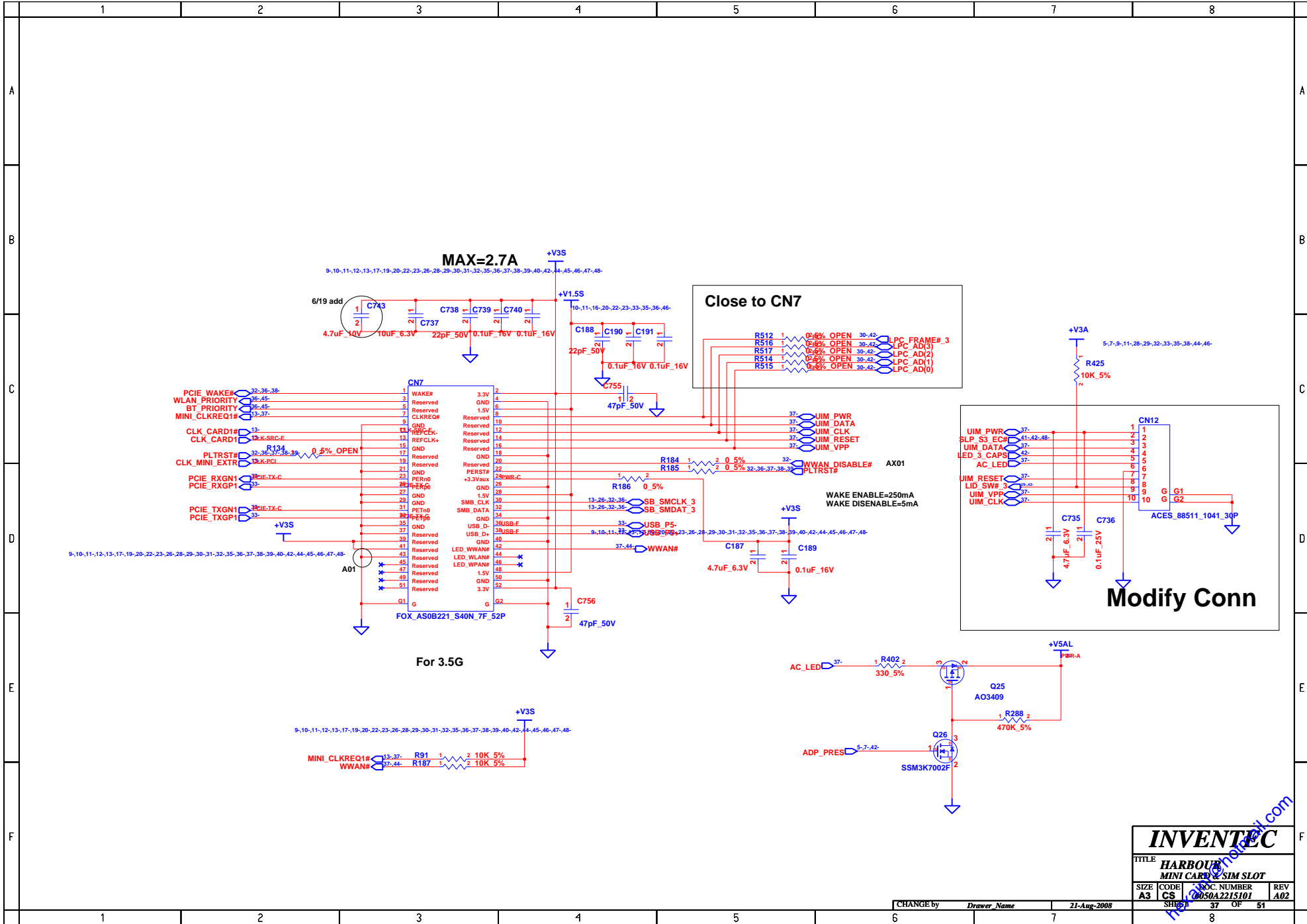
CHANGE by: *Drawer Name* 21-Aug-2008



# INVENTEC

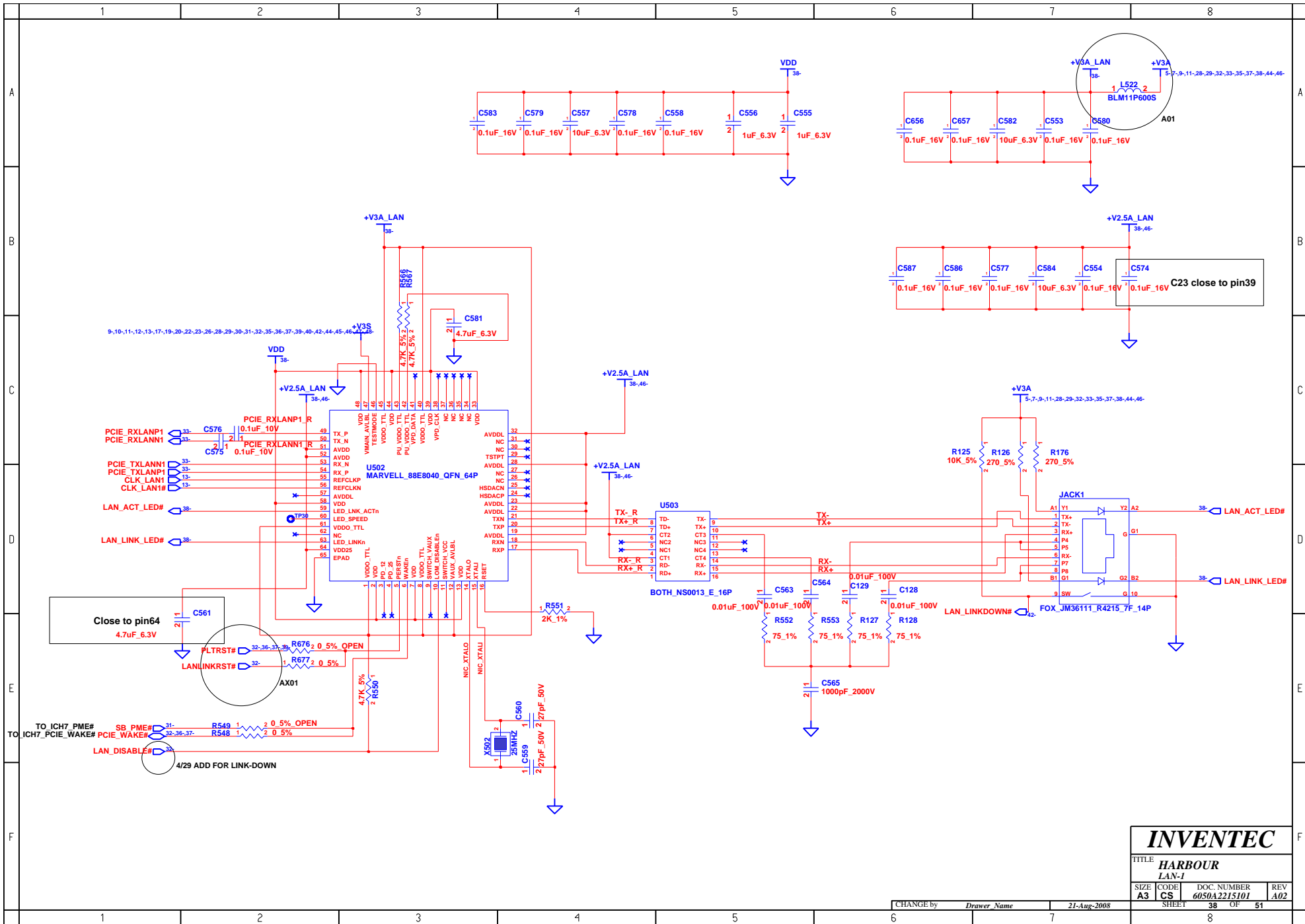
TITLE  
**HARBOR**  
 Express Card

SIZE <b>A3</b>	CODE <b>CS</b>	DOC. NUMBER <b>6050A2215101</b>	REV <b>A02</b>
-------------------	-------------------	------------------------------------	-------------------

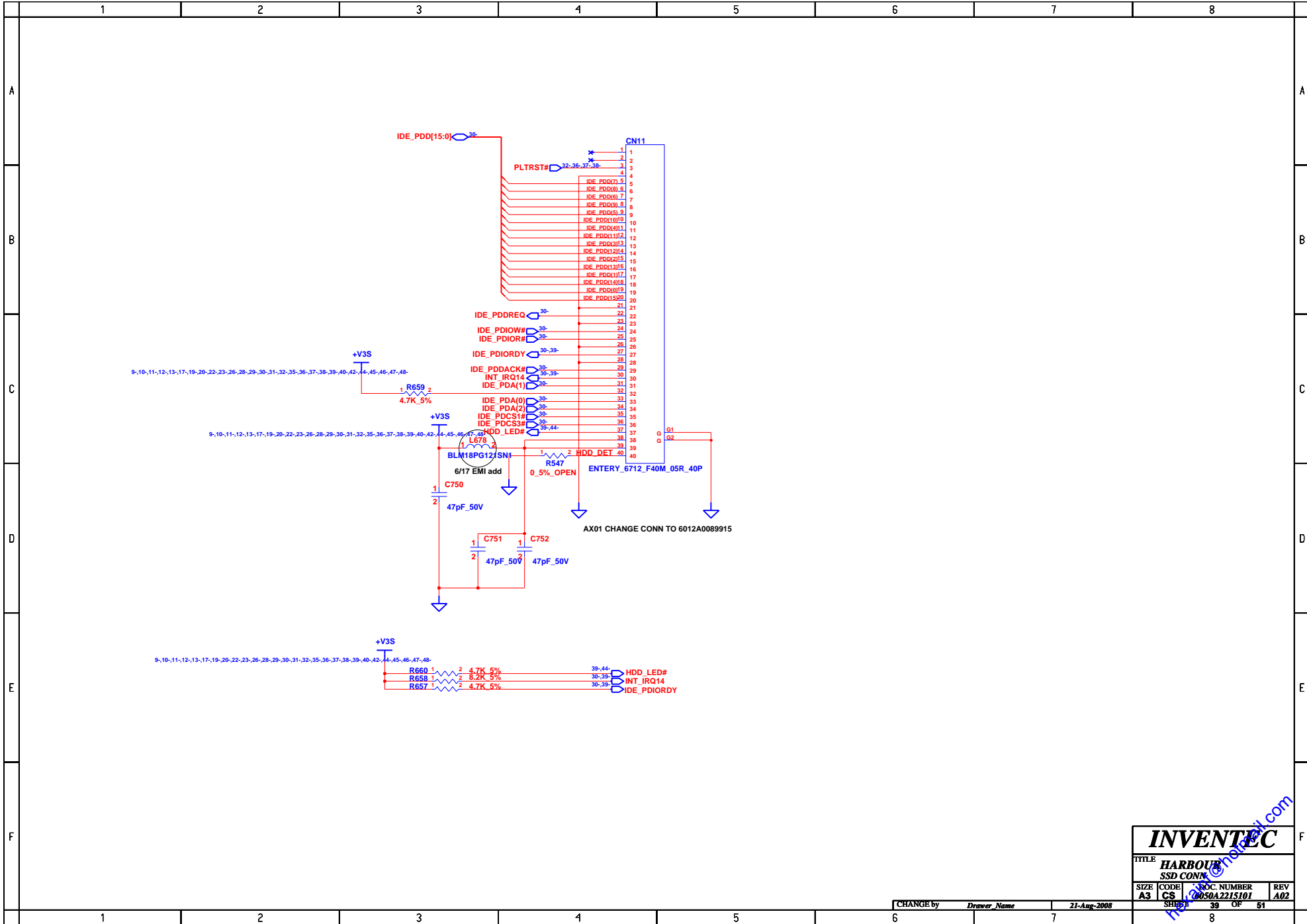


<b>INVENTEC</b>			
TITLE <b>HARBOR MINI CARD &amp; SIM SLOT</b>			
SIZE <b>A3</b>	CODE <b>CS</b>	DWG. NUMBER <b>0050A2215101</b>	REV <b>A02</b>
SHEET <b>37</b>		OF <b>51</b>	

CHANGE by *Drawer Name* 21-Aug-2008



<b>INVENTEC</b>			
TITLE: <b>HARBOUR LAN-1</b>			
SIZE: <b>A3</b>	CODE: <b>CS</b>	DOC. NUMBER: <b>6050A2215101</b>	REV: <b>A02</b>
CHANGE by: <i>Drawer Name</i>		21-Aug-2008	
SHEET: <b>38</b>		OF: <b>51</b>	



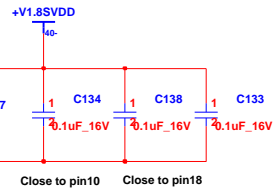
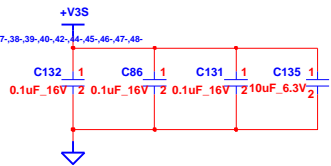
**INVENTEC**

TITLE **HARBOR**  
**SSD CONN**

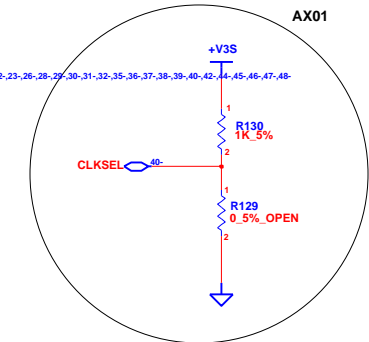
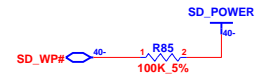
SIZE	CODE	DOC. NUMBER	REV
A3	CS	0050A2215101	A02
SHEET		39 OF	51

CHANGE by *Drawer Name* 21-Aug-2008

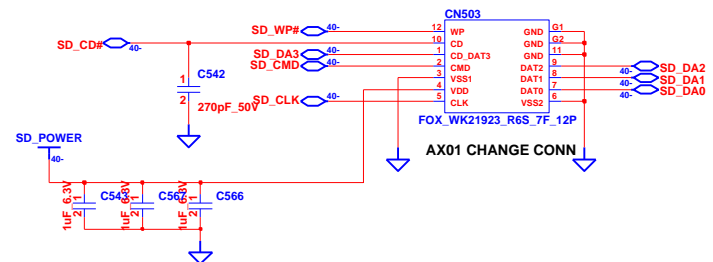
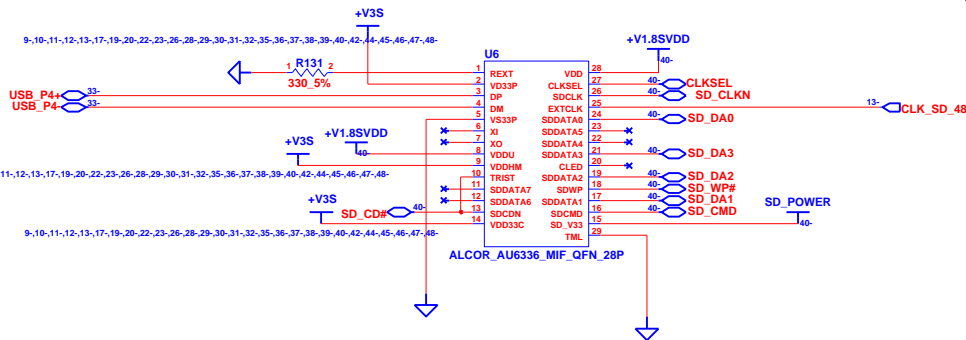
9-10-11-12-13-17-19-20-22-23-26-28-29-30-31-32-35-36-37-38-39-40-42-44-45-46-47-48



### POWER

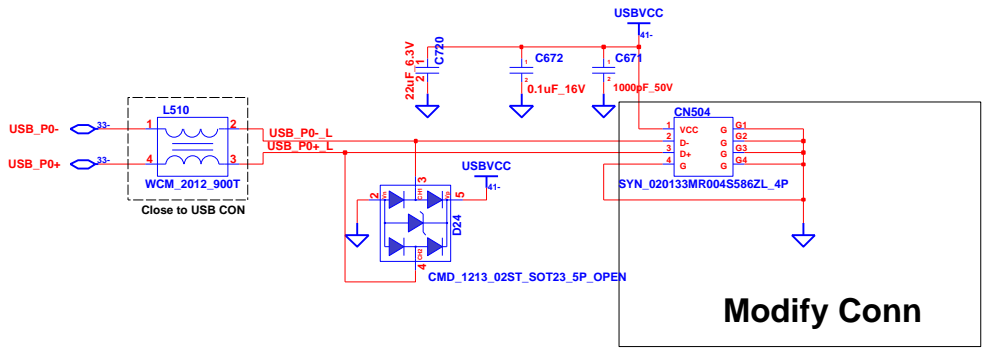


9-10-11-12-13-17-19-20-22-23-26-28-29-30-31-32-35-36-37-38-39-40-42-44-45-46-47-48

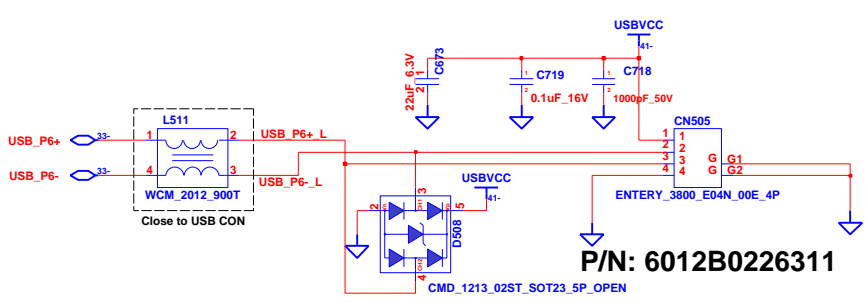
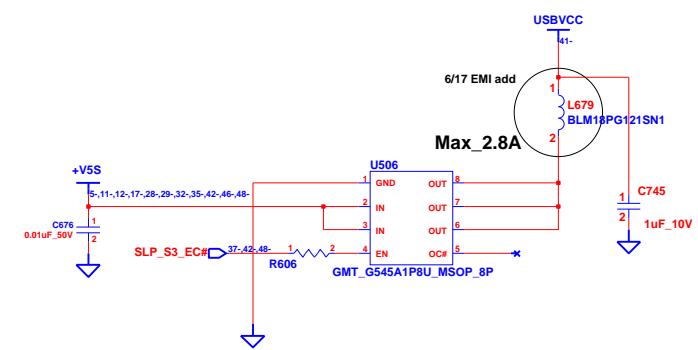


<b>INVENTEC</b>			
TITLE <b>HARBOUR</b>			
SD CARD READER			
SIZE <b>A3</b>	CODE <b>CS</b>	DOC. NUMBER <b>6050A2215101</b>	REV <b>A02</b>
CHANGE by <i>Drawer Name</i>		21-Aug-2008	SHEET <b>40</b> OF <b>51</b>





Modify Conn

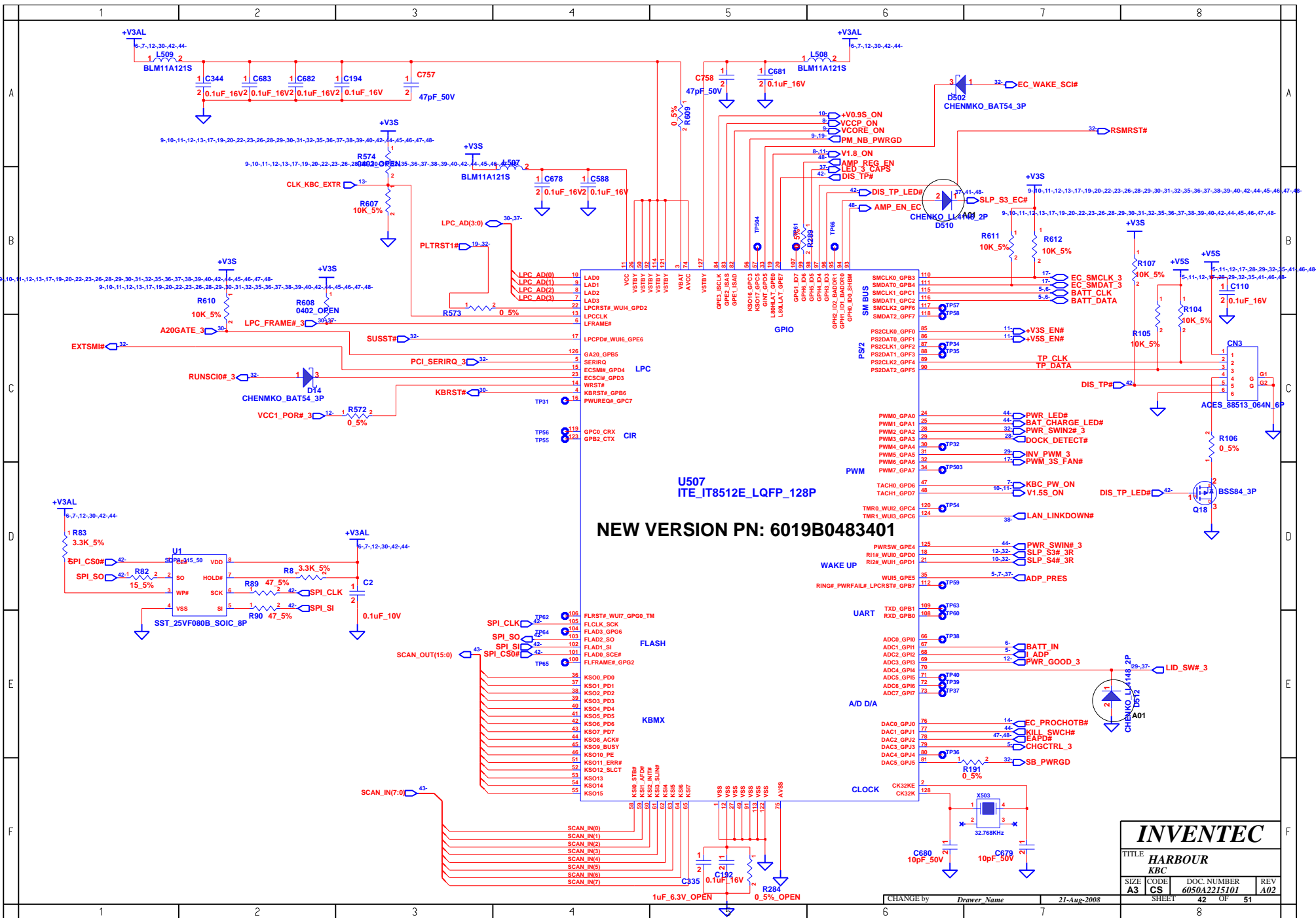


P/N: 6012B0226311

INSIDE USB

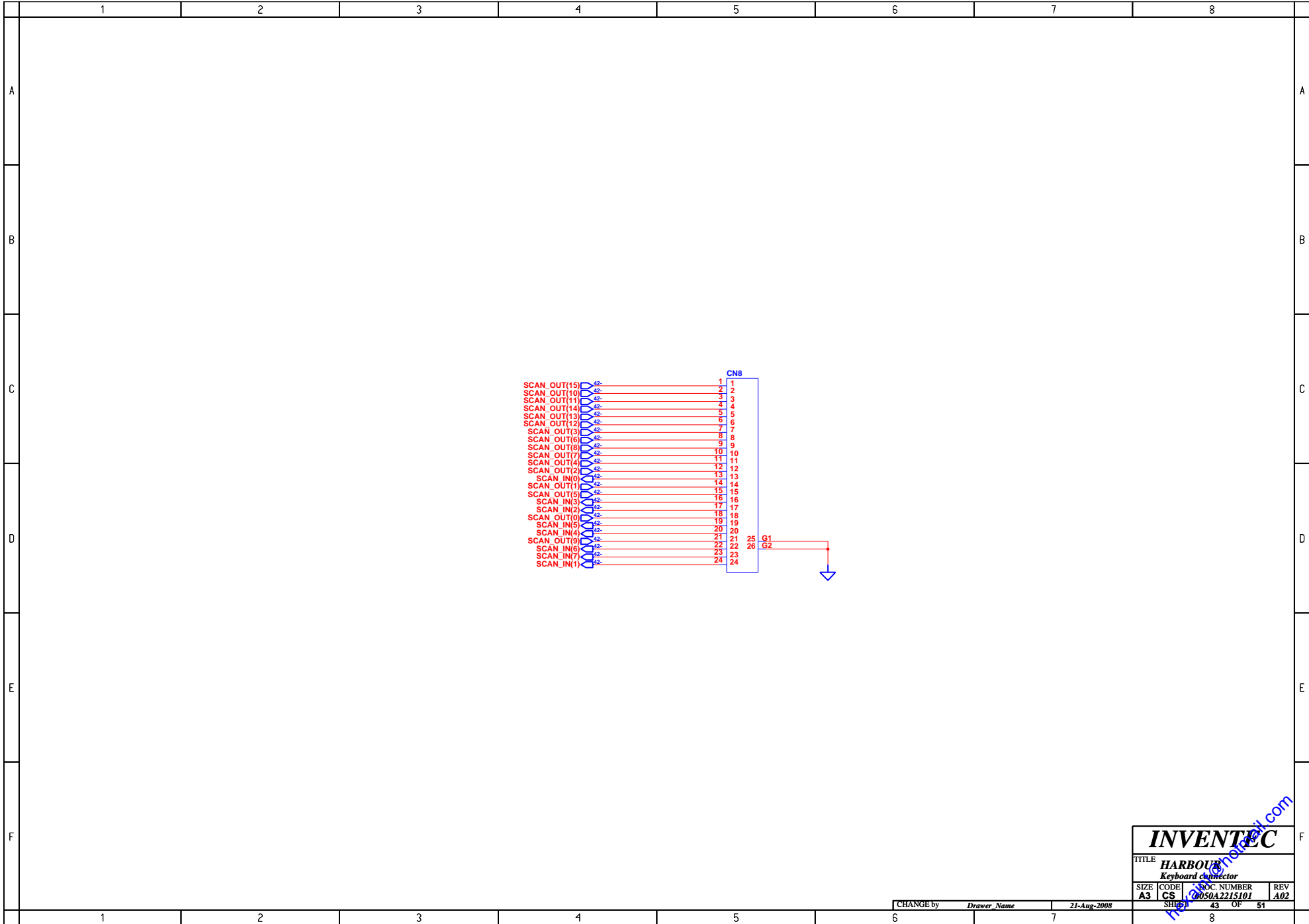
TITLE			
HARBOR			
USB&SATX CONN			
SIZE	CODE	DWG. NUMBER	REV
A3	CS	0050A2215101	A02
SHEET		41	OF 51

CHANGE by *Drawer Name* 21-Aug-2008



NEW VERSION PN: 6019B0483401

<b>INVENTEC</b>			
TITLE <b>HARBOUR</b>			
KBC			
SIZE <b>A3</b>	CODE <b>CS</b>	DOC. NUMBER <b>6050A2215101</b>	REV <b>A02</b>
CHANGE by <i>Drawer Name</i>		21-Aug-2008	
SHEET <b>42</b>		OF <b>51</b>	



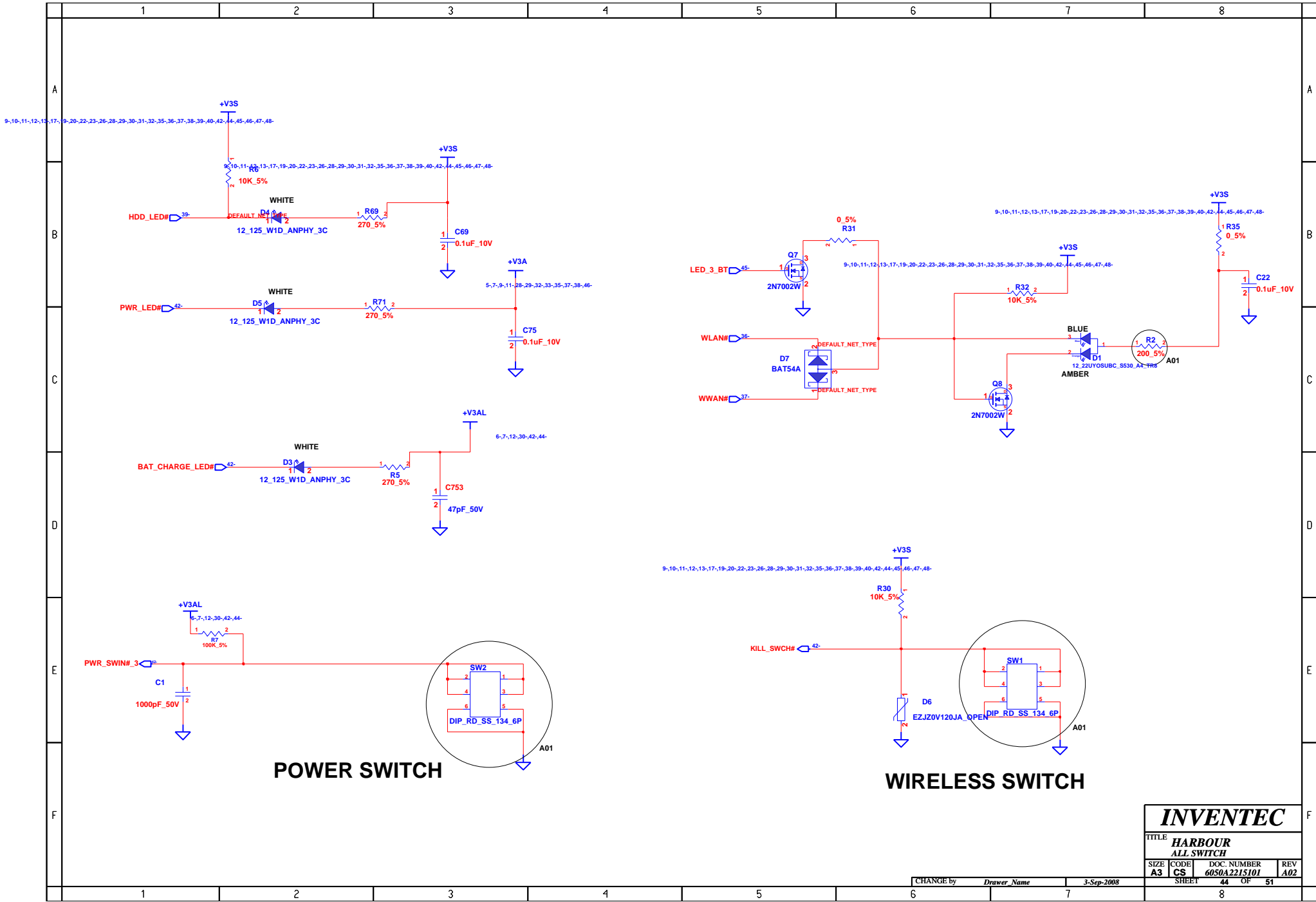
**INVENTEC**

TITLE **HARBOUR**  
**Keyboard connector**

SIZE <b>A3</b>	CODE <b>CS</b>	DOC. NUMBER <b>0050A2215101</b>	REV <b>A02</b>
SHEET <b>43</b>		OF <b>51</b>	

CHANGE by *Drawer Name* 21-Aug-2008

[www.inventec.com](http://www.inventec.com)



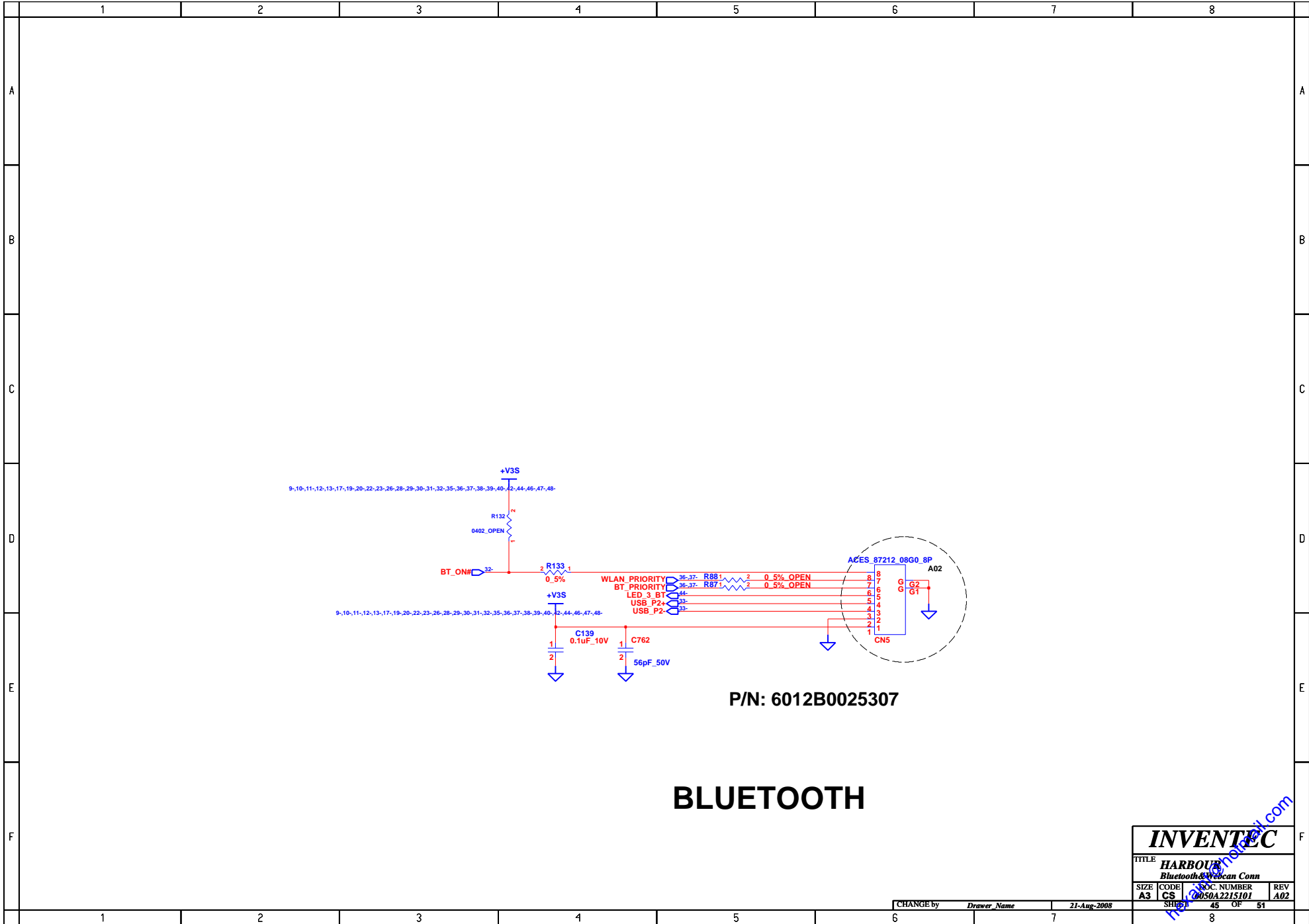
**POWER SWITCH**

**WIRELESS SWITCH**

**INVENTEC**

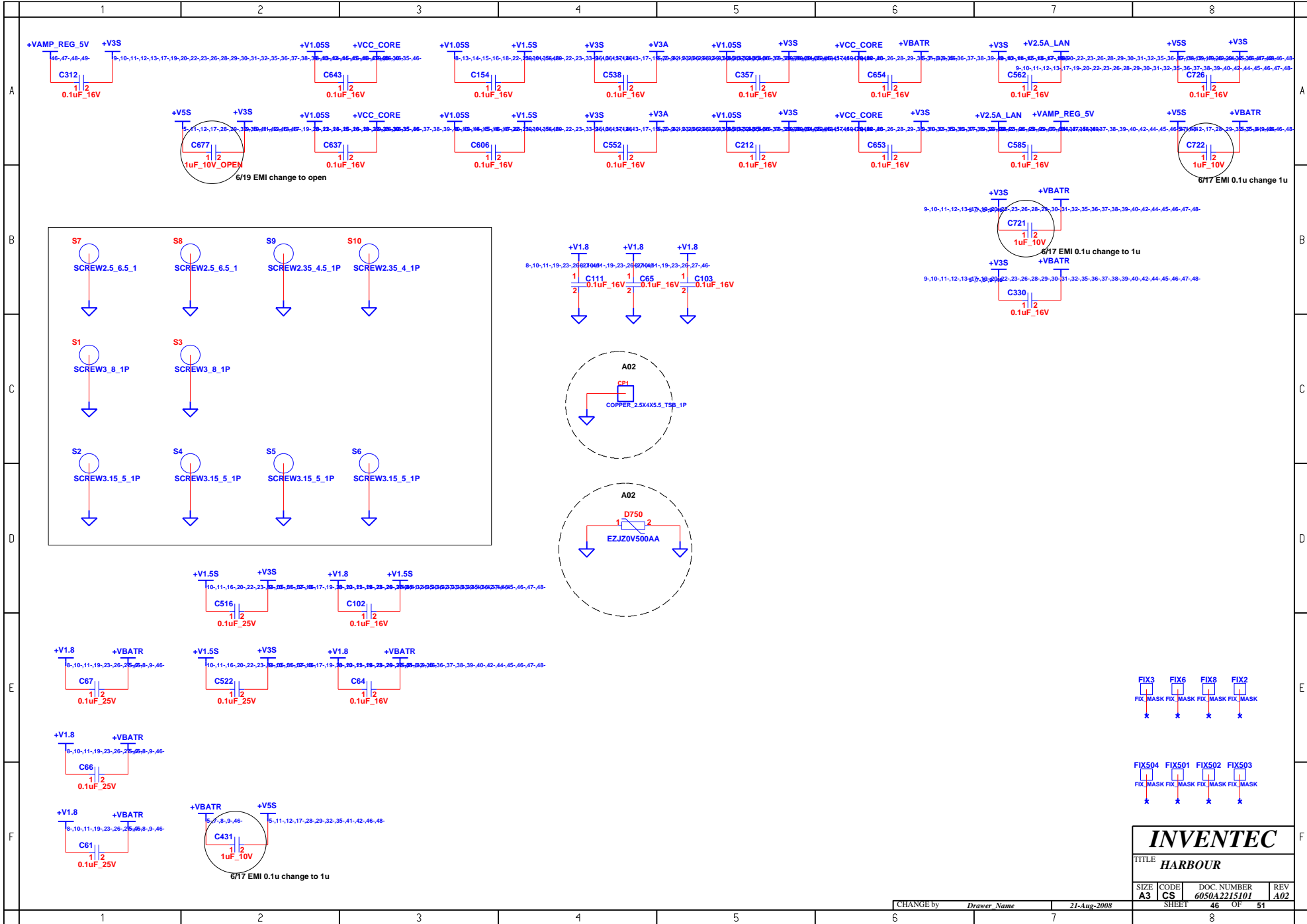
TITLE			
HARBOUR			
ALL SWITCH			
SIZE	CODE	DOC. NUMBER	REV
A3	CS	6050A2215101	A02
SHEET		44	OF 51

CHANGE by *Drawer Name* 3-Sep-2008

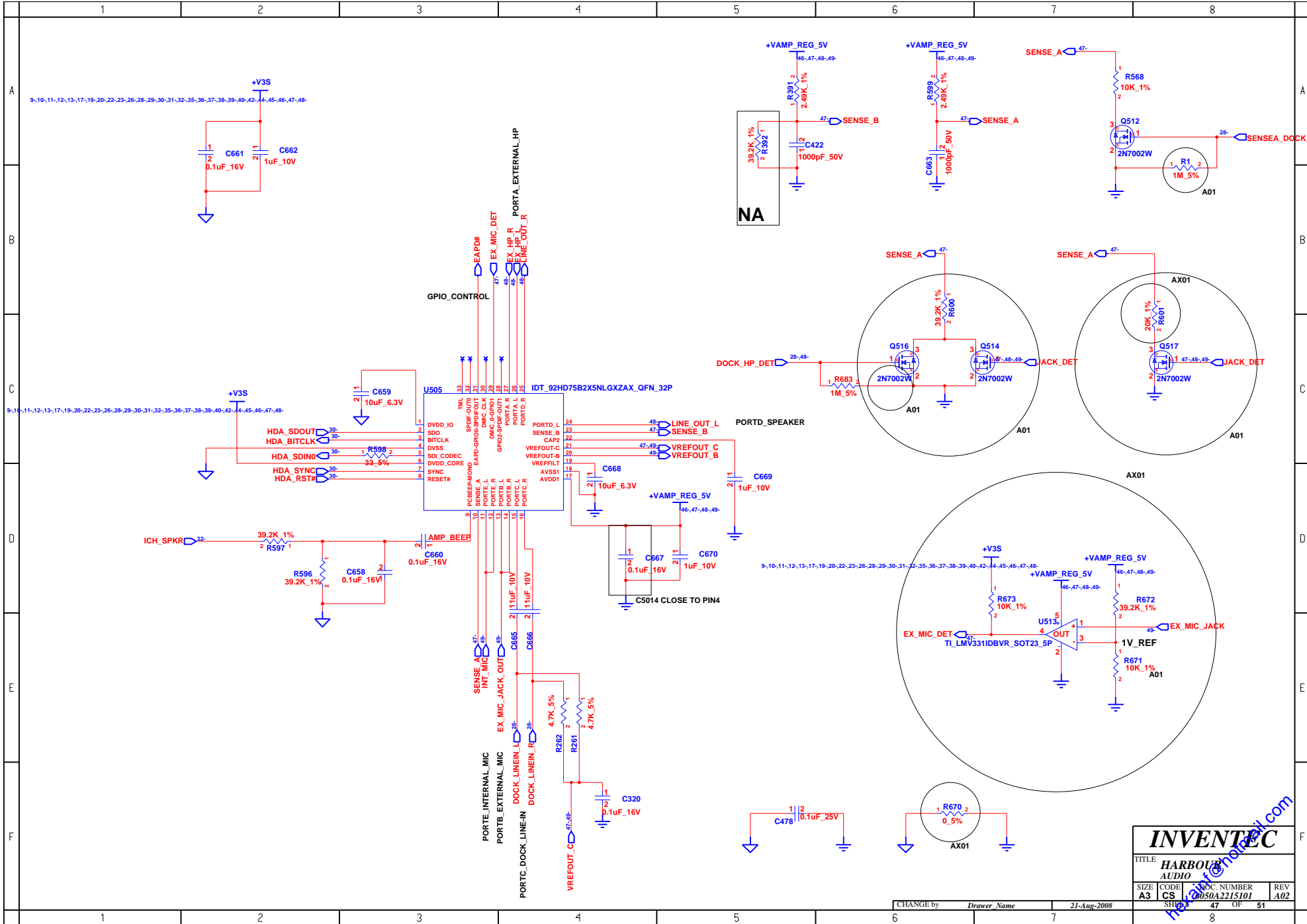


<b>INVENTEC</b>			
TITLE: <b>HARBOUR</b> Bluetooth & Webcam Conn			
SIZE	CODE	DWG. NUMBER	REV
A3	CS	0050A2215101	A02
SHEET		45	OF 51

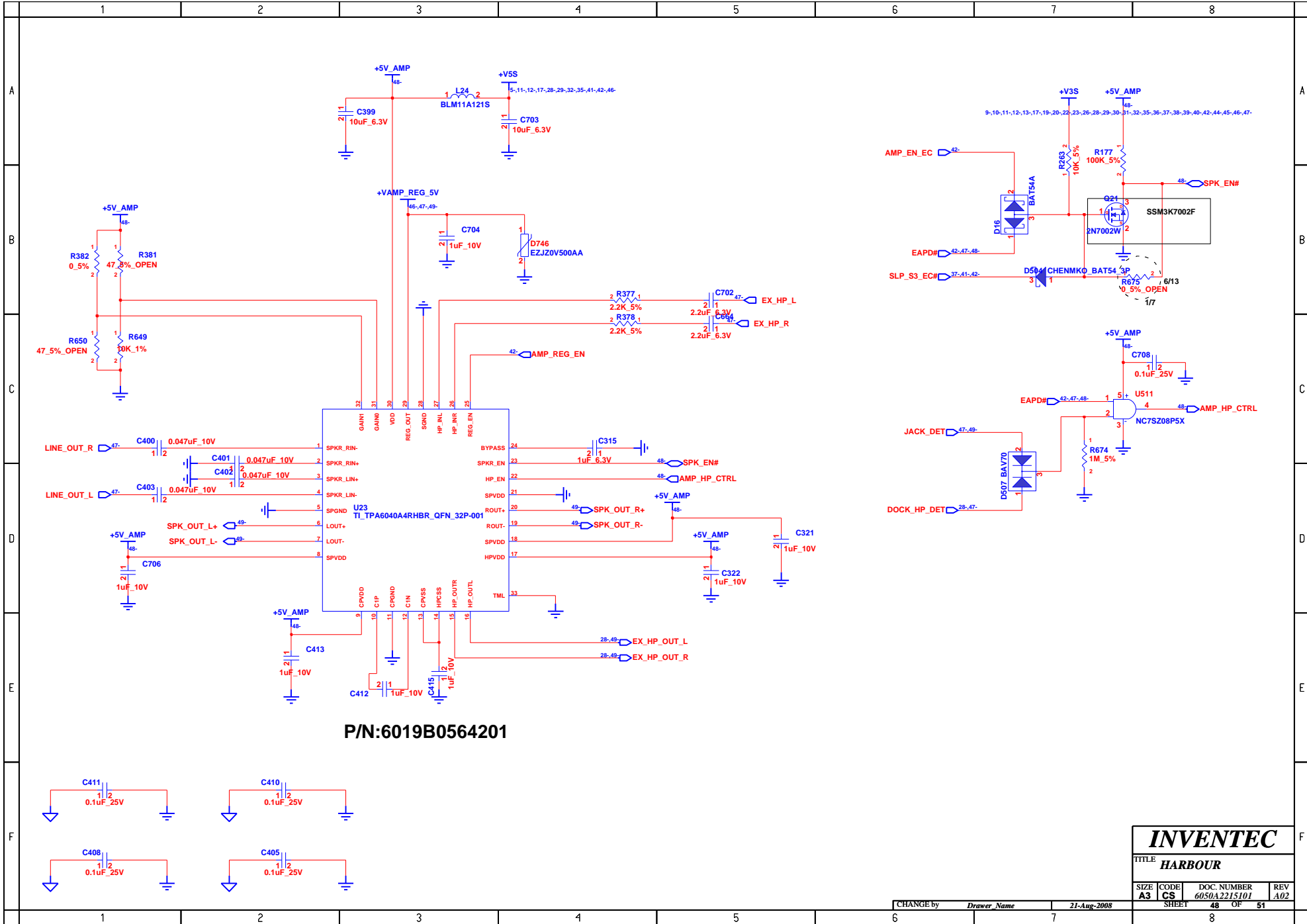
CHANGE by *Drawer Name* 21-Aug-2008



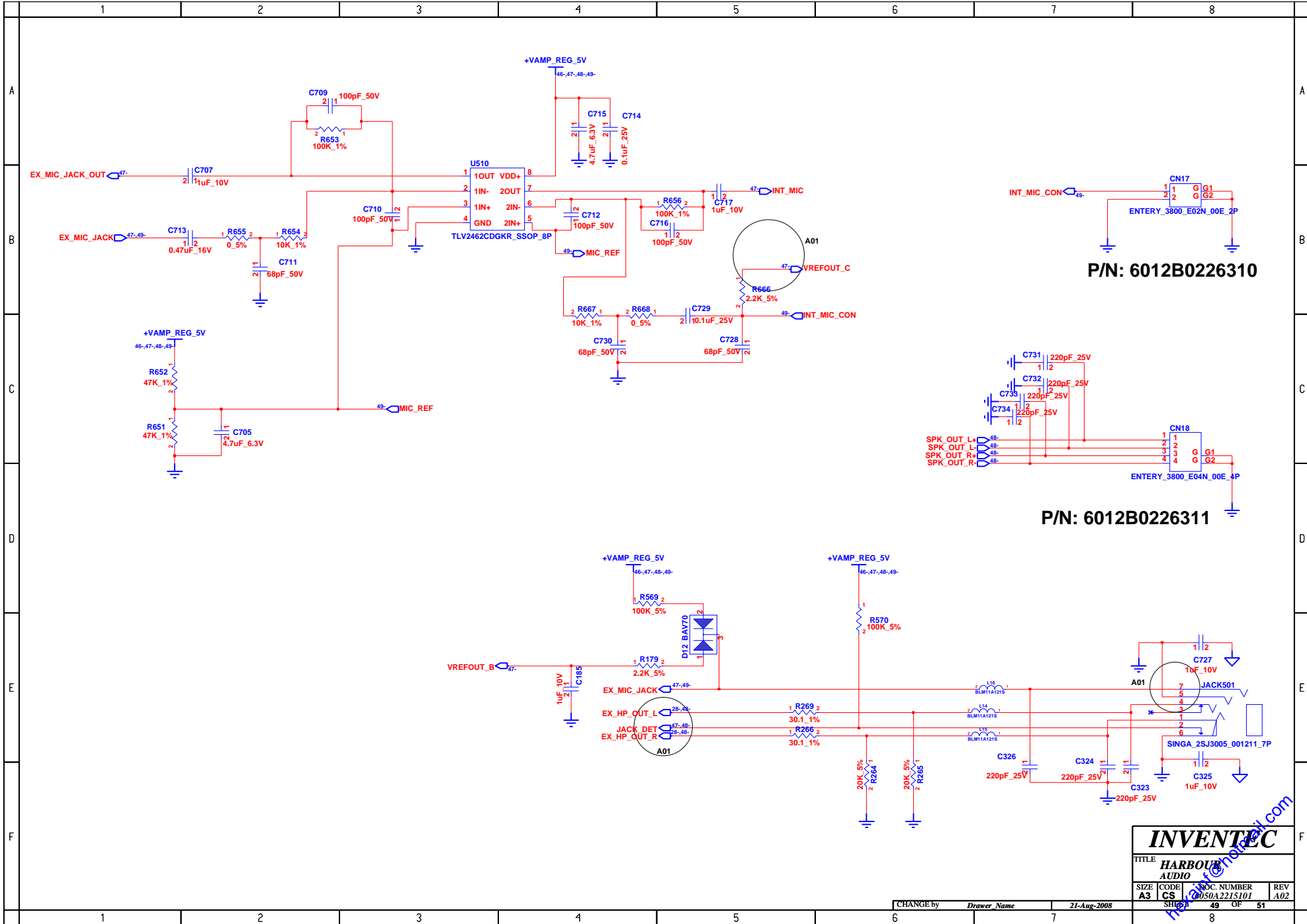
<b>INVENTEC</b>			
TITLE <b>HARBOUR</b>			
SIZE <b>A3</b>	CODE <b>CS</b>	DOC. NUMBER <b>6050A2215101</b>	REV <b>A02</b>
CHANGE by <i>Drawer Name</i>		21-Aug-2008	
SHEET <b>46</b>		OF <b>51</b>	



<b>INVENTEC</b>			
TITLE: <b>HARBOU AUDIO</b>			
SIZE: <b>A3</b>	CODE: <b>CS</b>	DOC. NUMBER: <b>00050A2215101</b>	REV: <b>A02</b>
CHANGE by: <i>Drawer Name</i>		21-Aug-2008	SHEET: 47 OF 51







P/N: 6012B0226310

P/N: 6012B0226311

<b>INVENTEC</b>			
TITLE <b>HARBOR AUDIO</b>			
SIZE <b>A3</b>	CODE <b>CS</b>	DOC. NUMBER <b>0050A2215101</b>	REV <b>A02</b>
CHANGE by <i>Drawer Name</i>		21-Aug-2008	
SHEET <b>49</b>		OF <b>51</b>	

	1	2	3	4	5	6	7	8	
A									A
B									B
C									C
D									D
E									E
F									F
	1	2	3	4	5	6	7	8	

**INVENTEC**

TITLE **HARBOUR  
DC BOARD**

SIZE <b>A3</b>	CODE <b>CS</b>	DOC. NUMBER <b>6050A2215101</b>	REV <b>A02</b>
-------------------	-------------------	------------------------------------	-------------------

CHANGE by *Drawer Name* 21-Aug-2008

SHEET 50 OF 51

	1	2	3	4	5	6	7	8	
A	<p><b>HARBOUR HISTORY</b></p> <p><b>2008 / 07 / 02:</b>  Page 49 : Interchangeed "EX_HP_OUT_R" with "EX_HP_OUT_L"</p> <p><b>2008 / 07 / 15 :</b>  Page 49 : Change JACK501 Pin5 to GND  Page 49 : Change JACK501 Pin7 to "EX_MIC_JACK"  Page 47 : Add R1 (10K ohm) at Q512 Pin1 and Pin2  Page 36 : CN4 Pin39,41 add R681 ( 0 ohm_0603) and pull up to +V3S  Page 36 : CN4 Pin37,43 add R682 ( 0 ohm_0603) and pull down to GND  Page 37 : CN7 Pin43 connect to GND  Page 49 : Change R666 pull up VREFOUT_C</p> <p><b>2008 / 07 / 16 :</b>  Page 46 : S2,S4,S5,S6 change to SCREW3.15_5_1P  Page 46 : S9 change to SCREW2.35_4.5_1P  Page 17 : U9 change to 6019B0567801 (GMT_G780P81U_MSOP_8P)</p> <p><b>2008 / 07 / 17 :</b>  Page 44 : SW1,SW2 change to 6026B0135902</p> <p><b>2008 / 07 / 20 :</b>  Page 30 : R520 change to 47k_5%  Page 30 : D510 Pin1 change +V3AL</p> <p><b>2008 / 07 / 21 :</b>  Page 13 : C224,C225 change to 27pF</p> <p><b>2008 / 07 / 23 :</b>  Page 47 : Add Q516,Q517 for Dock &amp; M/B HP sense  Page 44 : Change R2 to 200 ohm  Page 42 : Add D510,D511 for protect KBC</p>								A
B									B
C									C
D									D
E									E
F									F
	1	2	3	4	5	6	7	8	

**INVENTEC**

TITLE <b>HARBOUR History</b>			
SIZE <b>A3</b>	CODE <b>CS</b>	DOC. NUMBER <b>0050A2215101</b>	REV <b>A02</b>
SHEET <b>51</b>		OF <b>51</b>	

CHANGE by *Drawer Name* 21-Aug-2008

www.inventec.com