

Compal confidential

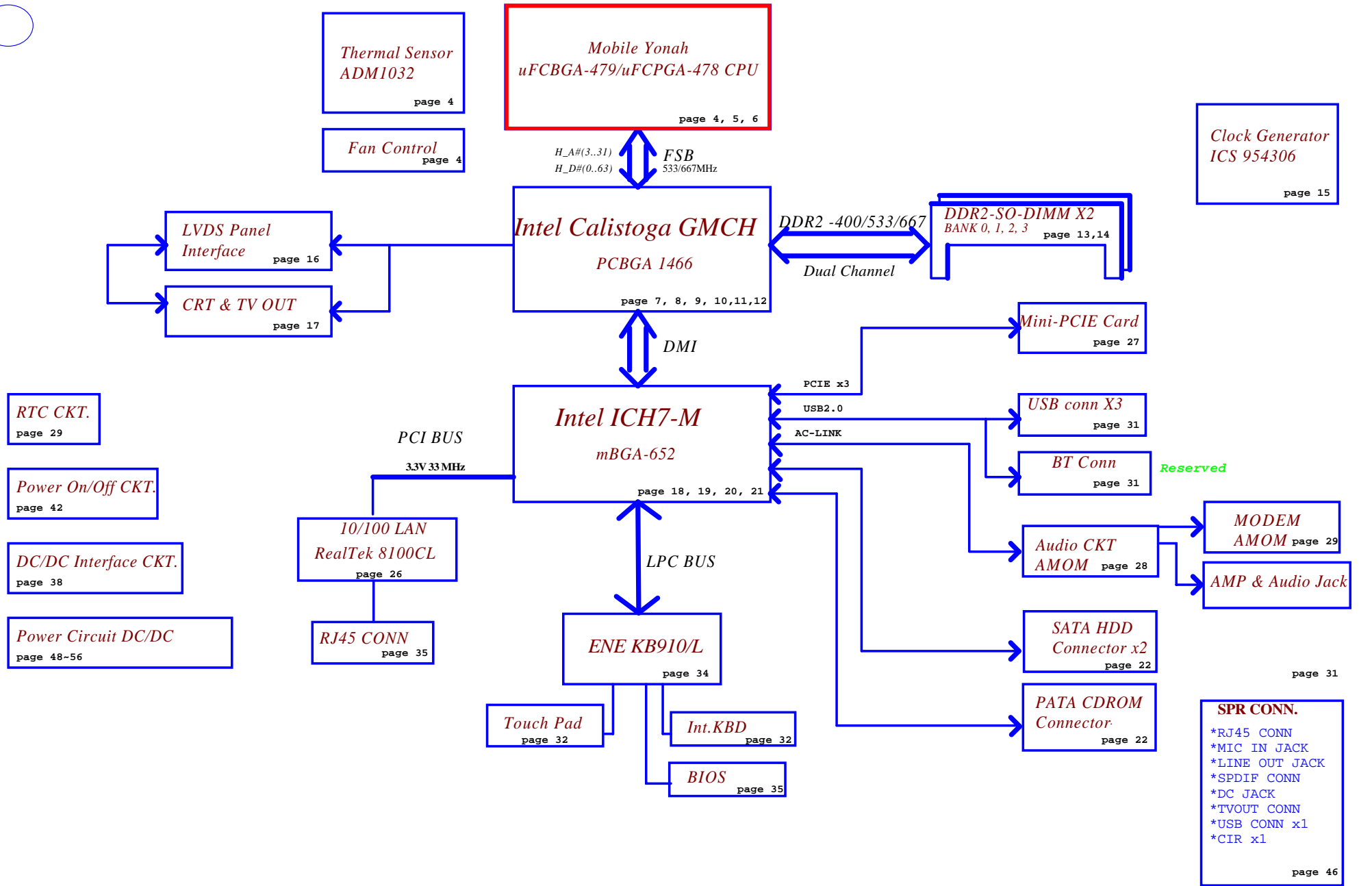
Schematics Document

Mobile Yonah uFCPGA with Intel
Calistoga_GM/PM+ICH7-M core logic

2006-05-19

REV:0.1

Security Classification	Compal Secret Data			Title Compal Electronics, Inc.		
Issued Date	2005/03/10	Deciphered Date	2006/03/10	Cover Sheet		
<small>THIS SHEET OF ENGINEERING DRAWING IS THE PROPRIETARY PROPERTY OF COMPAL ELECTRONICS, INC. AND CONTAINS CONFIDENTIAL AND TRADE SECRET INFORMATION. THIS SHEET MAY NOT BE TRANSFERRED FROM THE CUSTODY OF THE COMPETENT DIVISION OF R&D DEPARTMENT EXCEPT AS AUTHORIZED BY COMPAL ELECTRONICS, INC. NEITHER THIS SHEET NOR THE INFORMATION IT CONTAINS MAY BE USED BY OR DISCLOSED TO ANY THIRD PARTY WITHOUT PRIOR WRITTEN CONSENT OF COMPAL ELECTRONICS, INC.</small>				Size	Document Number	Rev
				Custom	LA-334IP	0.2
Date: Tuesday, June 20, 2006				Sheet	1	of 40



Security Classification		Compal Secret Data		Title	
Issued Date	2005/03/10	Deciphered Date	2006/03/10	Compal Electronics, Inc.	
THIS SHEET OF ENGINEERING DRAWING IS THE PROPRIETARY PROPERTY OF COMPAL ELECTRONICS, INC. AND CONTAINS CONFIDENTIAL AND TRADE SECRET INFORMATION. THIS SHEET MAY NOT BE TRANSFERRED FROM THE CUSTODY OF THE COMPETENT DIVISION OF R&D DEPARTMENT EXCEPT AS AUTHORIZED BY COMPAL ELECTRONICS, INC. NEITHER THIS SHEET NOR THE INFORMATION IT CONTAINS MAY BE USED BY OR DISCLOSED TO ANY THIRD PARTY WITHOUT PRIOR WRITTEN CONSENT OF COMPAL ELECTRONICS, INC.				Block Diagram	
Size	Document Number	Date:		Rev	
Custom	LA-3341P	Tuesday, June 20, 2006		0.2	
Sheet 2 of 40					

Voltage Rails

power plane State	+B LDO3 LDO5	+5VALW +3VALW	+1.8V +5V	+5VS +3VS +2.5VS +1.5VS +0.9VS +CPU_CORE +VCCP
s0	○	○	○	○
s1	○	○	○	○
s3	○	○	○	✗
s5 s4/AC	○	○	✗	✗
s5 s4/ Battery only	○	✗	✗	✗
s5 s4/AC & Battery don't exist	✗	✗	✗	✗

○ MEANS ON
✗ MEANS OFF

PCI Devices

EXTERNAL	IDSEL#	REQ/GNT#	PIRQ
CARD BUS & 1394	AD22	2	C,D,E,G
RealTekK 8100CL	AD24	1	E

Load BOM check item

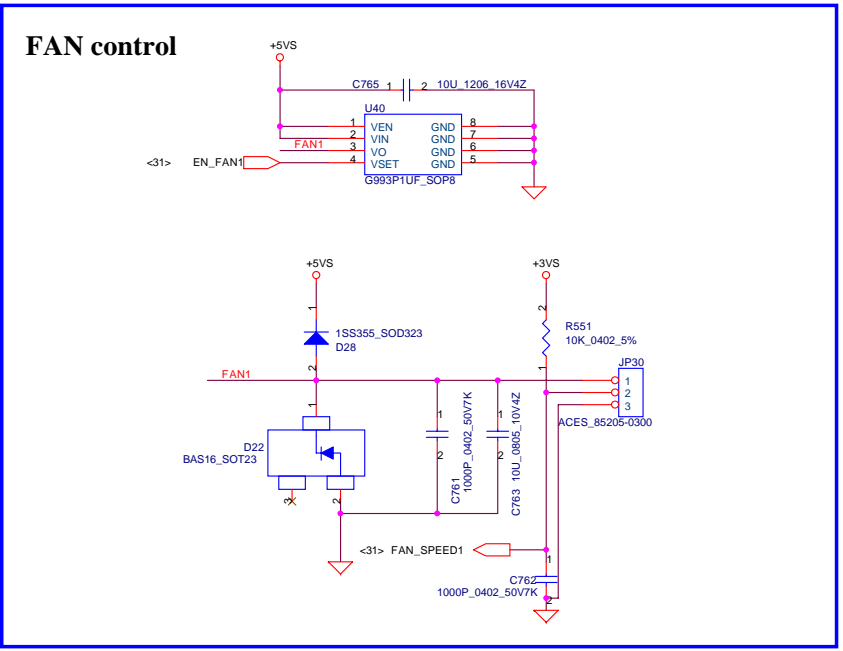
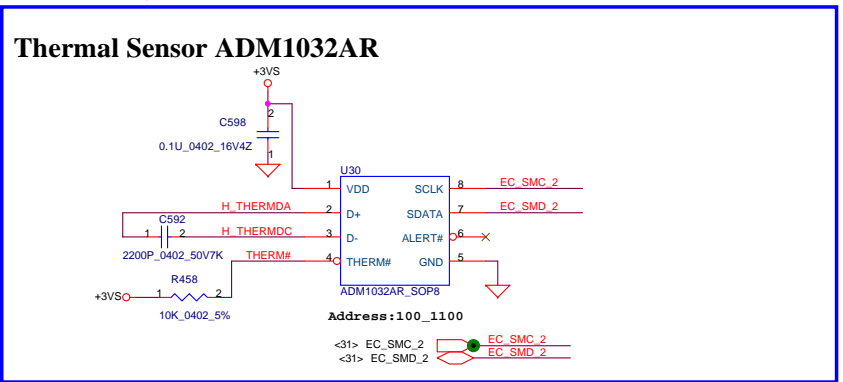
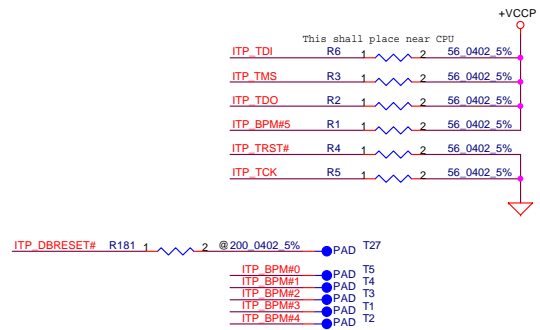
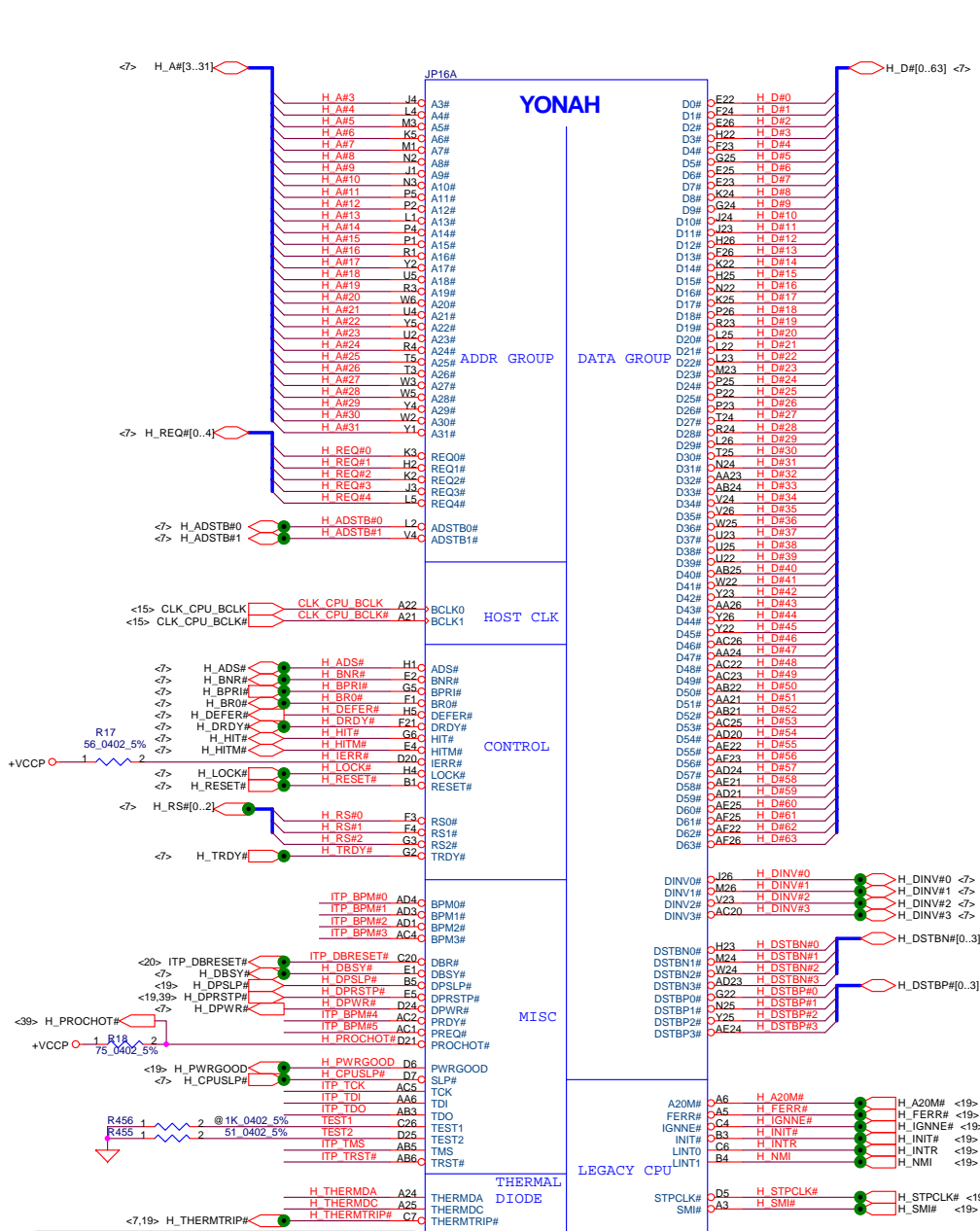
- 1.U31 GM/PM/GML part number
- 2.U6 ICH7 part number

BOM: 43144132L01 (GM)
43144132L02 (GML)

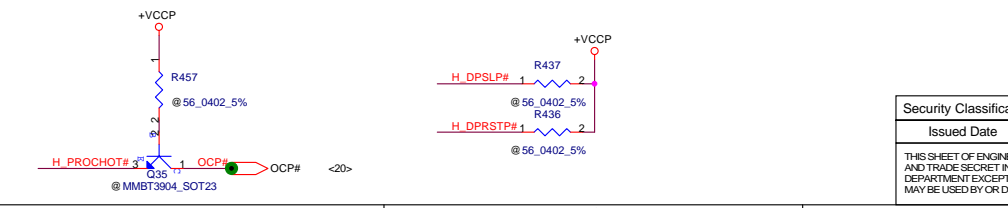
Jump-Short:

PJP4,PJP6,PJP7,PJP8,PJP10,PJP12,PJP14,PJP18,PJP19,PJP20,PJP25

Security Classification	Compal Secret Data		Title	
Issued Date	2005/03/10	Deciphered Date	2006/03/10	Compal Electronics, Inc.
THIS SHEET OF ENGINEERING DRAWING IS THE PROPRIETARY PROPERTY OF COMPAL ELECTRONICS, INC. AND CONTAINS CONFIDENTIAL AND TRADE SECRET INFORMATION. THIS SHEET MAY NOT BE TRANSFERRED FROM THE CUSTODY OF THE COMPETENT DIVISION OF R&D DEPARTMENT EXCEPT AS AUTHORIZED BY COMPAL ELECTRONICS, INC. NEITHER THIS SHEET NOR THE INFORMATION IT CONTAINS MAY BE USED BY OR DISCLOSED TO ANY THIRD PARTY WITHOUT PRIOR WRITTEN CONSENT OF COMPAL ELECTRONICS, INC.				Notes List
Size	Document Number	Rev		
Customer	LA-334IP	0.2		
Date:	Tuesday, June 20, 2006	Sheet	3	of 40



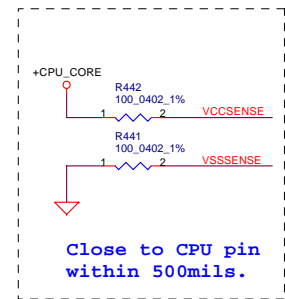
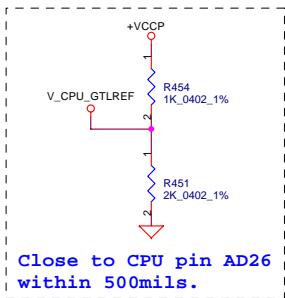
H_THERMDA, H_THERMDC routing together.
Trace width / Spacing = 10 / 10 mil



Security Classification	Compal Secret Data	
Issued Date	2005/03/10	Deciphered Date
		2006/03/10

THIS SHEET OF ENGINEERING DRAWING IS THE PROPRIETARY PROPERTY OF COMPAL ELECTRONICS, INC. AND CONTAINS CONFIDENTIAL AND TRADE SECRET INFORMATION. THIS SHEET MAY NOT BE TRANSFERRED FROM THE CUSTODY OF THE COMPETENT DIVISION OF R&D DEPARTMENT EXCEPT AS AUTHORIZED BY COMPAL ELECTRONICS, INC. NEITHER THIS SHEET NOR THE INFORMATION IT CONTAINS MAY BE USED BY OR DISCLOSED TO ANY THIRD PARTY WITHOUT PRIOR WRITTEN CONSENT OF COMPAL ELECTRONICS, INC.

Compal Electronics, Inc.		
Title Yonah CPU in mFCPGA479		
Size	Document Number	Rev
Custom	LA-334IP	0.2
Date:	Tuesday, June 20, 2006	Sheet 4 of 40



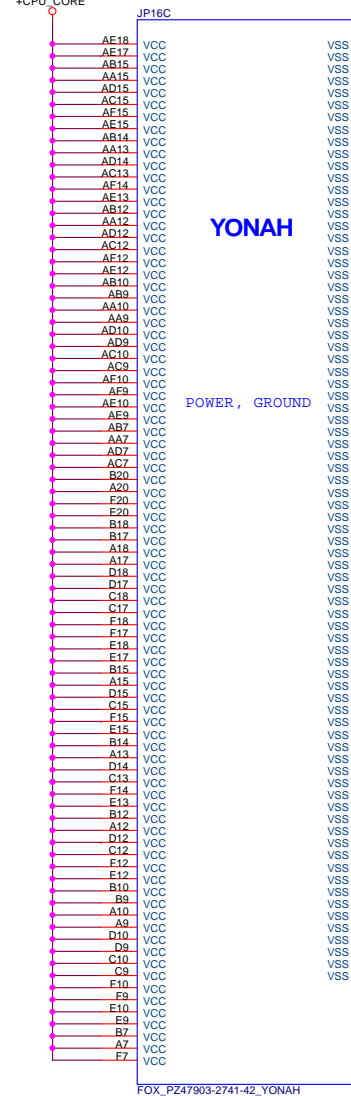
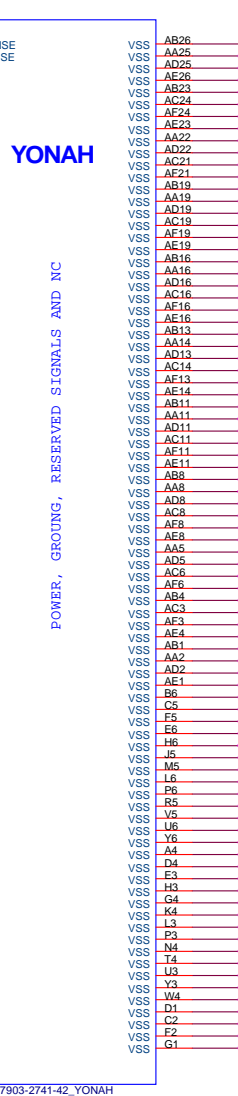
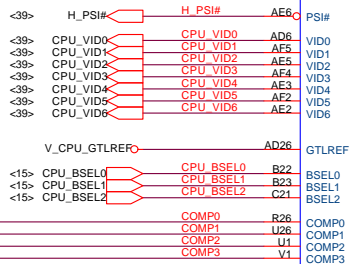
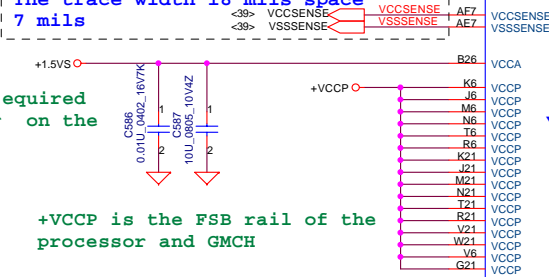
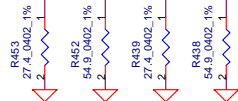
+1.5vs is a power source required by the PL clock generator on the processorsilicon

**Length match within 25 mils
The trace width 18 mils space
7 mils**

+VCCP is the FSB rail of the processor and GMCH

CPU_BSEL	CPU_BSEL2	CPU_BSEL1	CPU_BSEL0
133	0	0	1
166	0	1	1

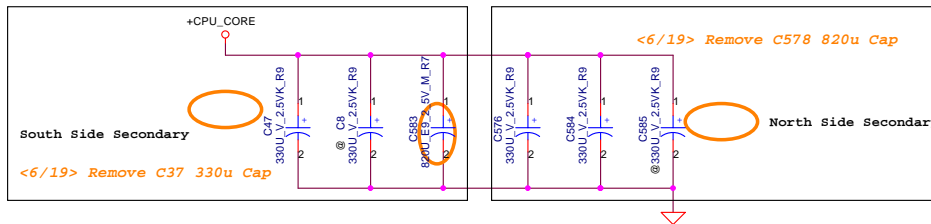
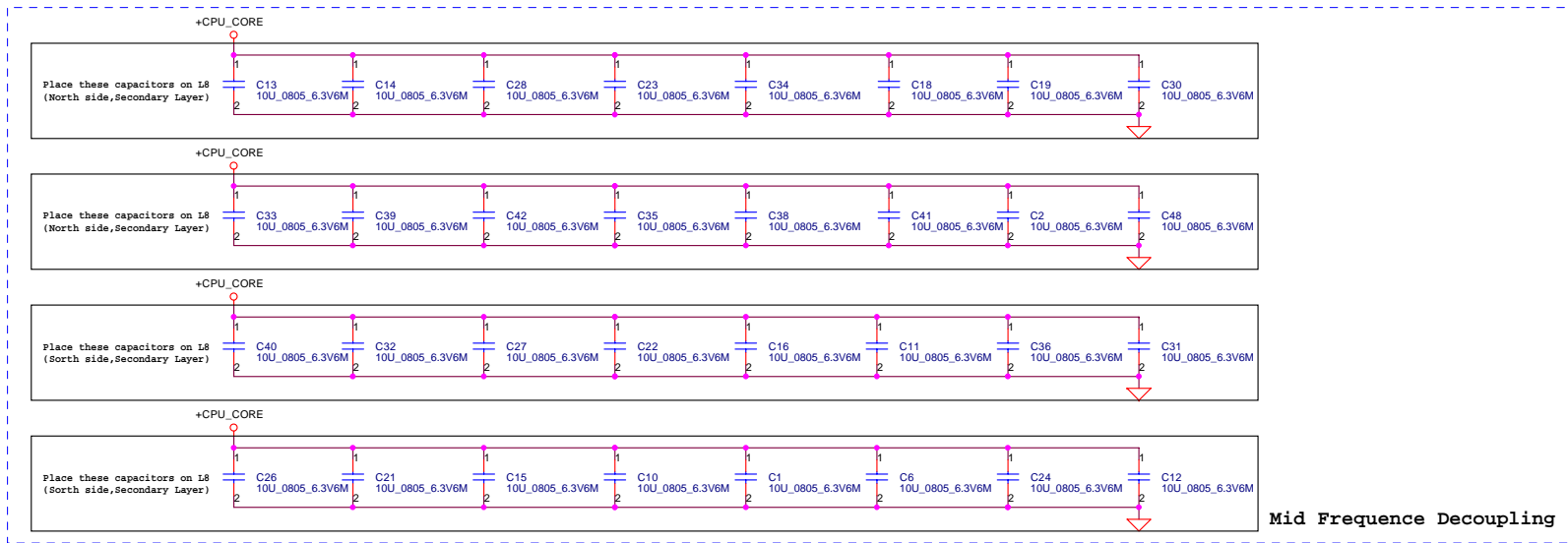
Resistor placed within 0.5" of CPU pin. Trace should be at least 25 mils away from any other toggling signal.



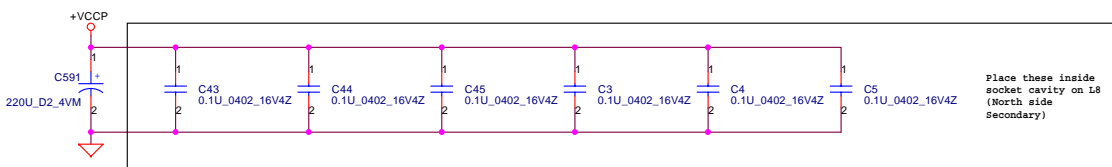
Security Classification	Compal Secret Data	
Issued Date	2005/03/10	Deciphered Date
		2006/03/10

THIS SHEET OF ENGINEERING DRAWING IS THE PROPRIETARY PROPERTY OF COMPAL ELECTRONICS, INC. AND CONTAINS CONFIDENTIAL AND TRADE SECRET INFORMATION. THIS SHEET MAY NOT BE TRANSFERRED FROM THE CUSTODY OF THE COMPETENT DIVISION OF R&D DEPARTMENT EXCEPT AS AUTHORIZED BY COMPAL ELECTRONICS, INC. NEITHER THIS SHEET NOR THE INFORMATION IT CONTAINS MAY BE USED BY OR DISCLOSED TO ANY THIRD PARTY WITHOUT PRIOR WRITTEN CONSENT OF COMPAL ELECTRONICS, INC.

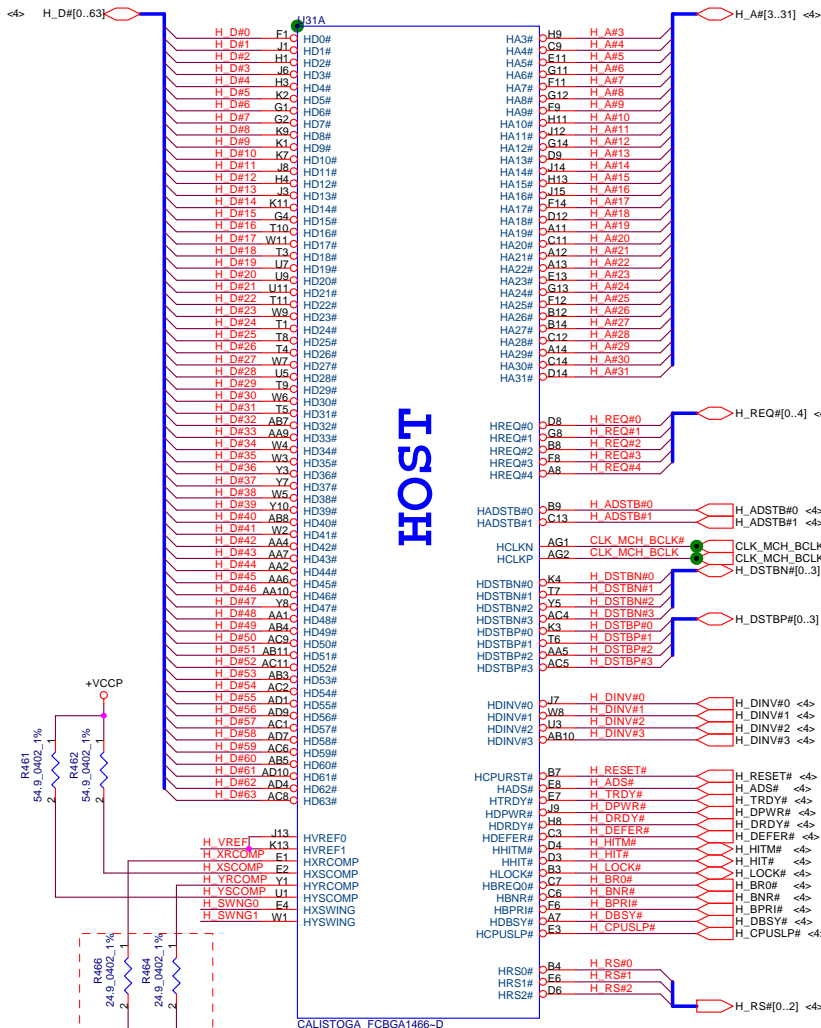
Title		
Compal Electronics, Inc.		
Yonah CPU in mFCPGA479		
Size	Document Number	Rev
Custom	LA-3341P	0.2
Date:	Tuesday, June 20, 2006	Sheet 5 of 40



ESR <= 1.5m ohm
Capacitor > 1980uF

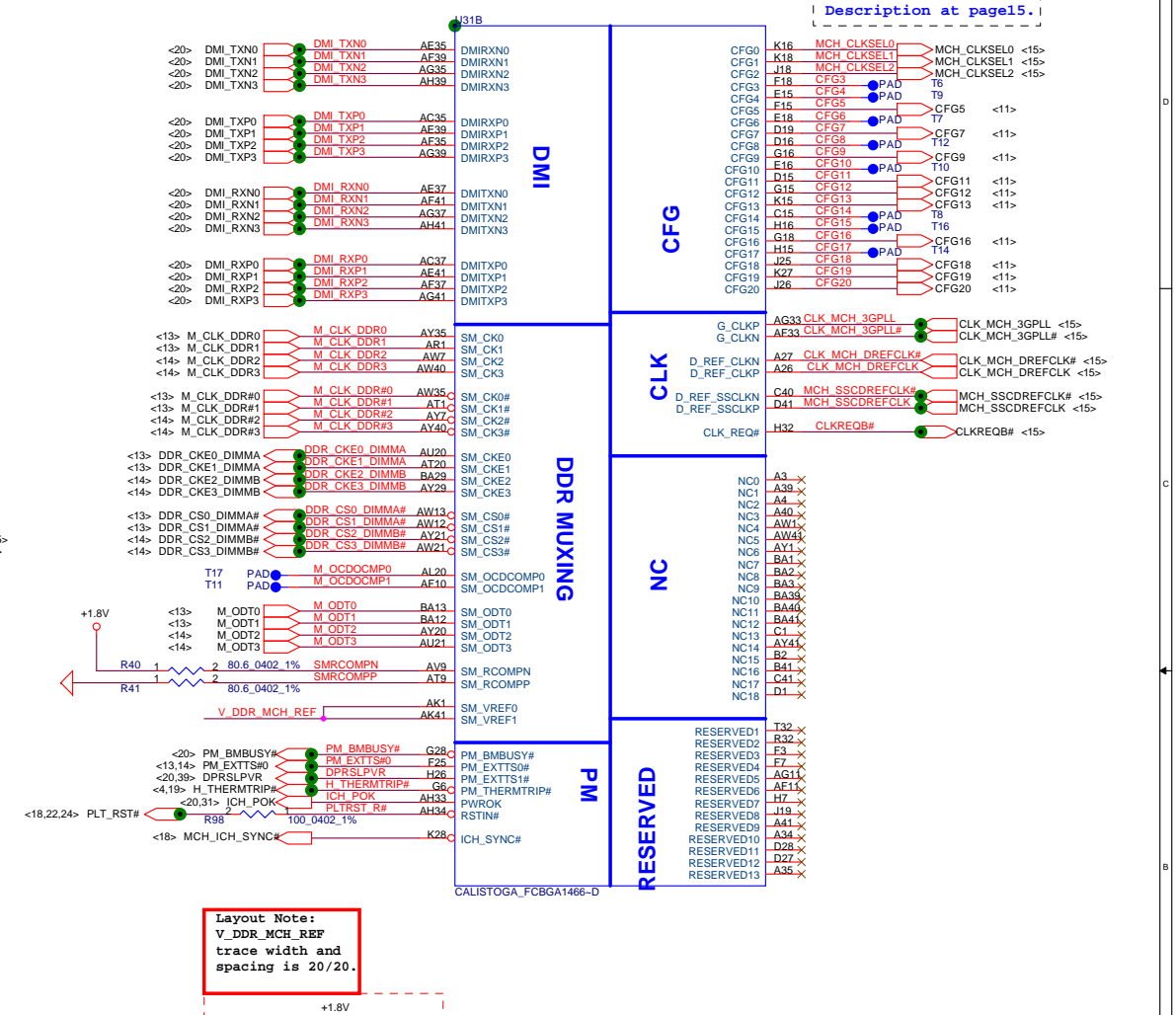
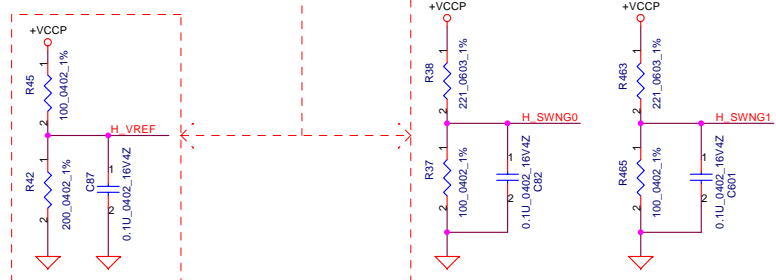


Security Classification	Compal Secret Data			Title	
Issued Date	2005/03/10	Deciphered Date	2006/03/10	Compal Electronics, Inc.	
THIS SHEET OF ENGINEERING DRAWING IS THE PROPRIETARY PROPERTY OF COMPAL ELECTRONICS, INC. AND CONTAINS CONFIDENTIAL AND TRADE SECRET INFORMATION. THIS SHEET MAY NOT BE TRANSFERRED FROM THE CUSTODY OF THE COMPETENT DIVISION OF R&D DEPARTMENT EXCEPT AS AUTHORIZED BY COMPAL ELECTRONICS, INC. NEITHER THIS SHEET NOR THE INFORMATION IT CONTAINS MAY BE USED BY OR DISCLOSED TO ANY THIRD PARTY WITHOUT PRIOR WRITTEN CONSENT OF COMPAL ELECTRONICS, INC.				Size	Rev
				Document Number	0.2
				LA-334IP	
				Date: Tuesday, June 20, 2006	Sheet 6 of 40



HOST

Layout Note:
 H_XRCOMP / H_YRCOMP / H_VREF / H_SWNG0 / H_SWNG1 trace width and spacing is 10/20.

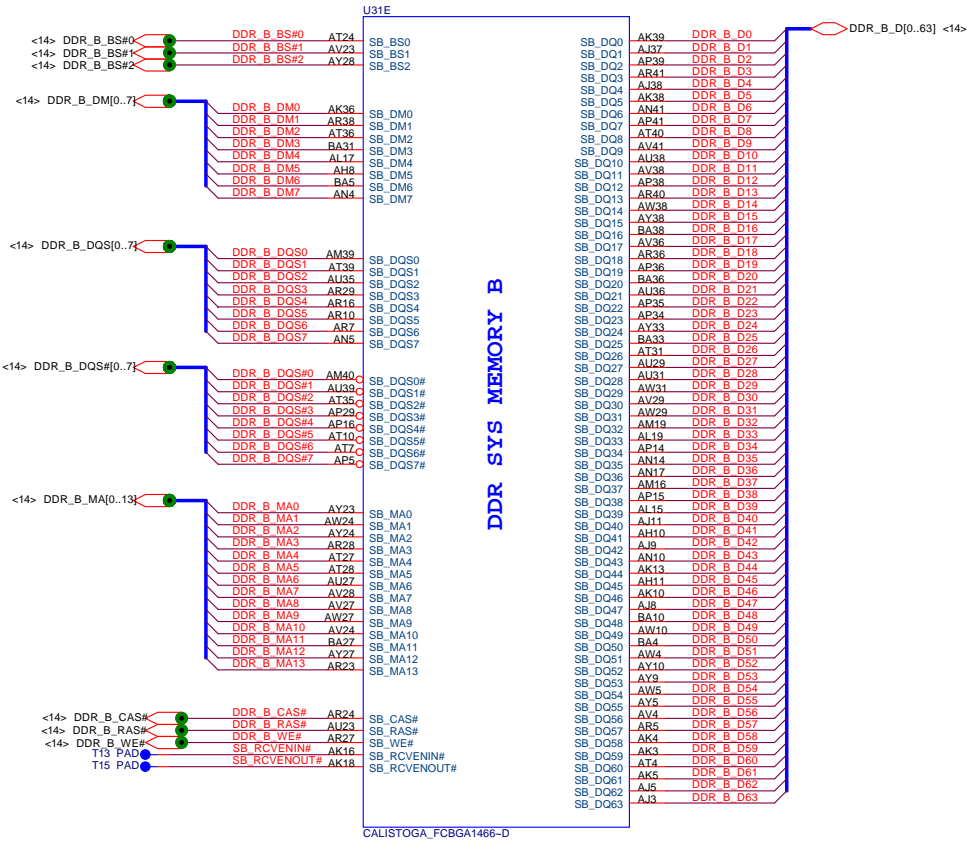
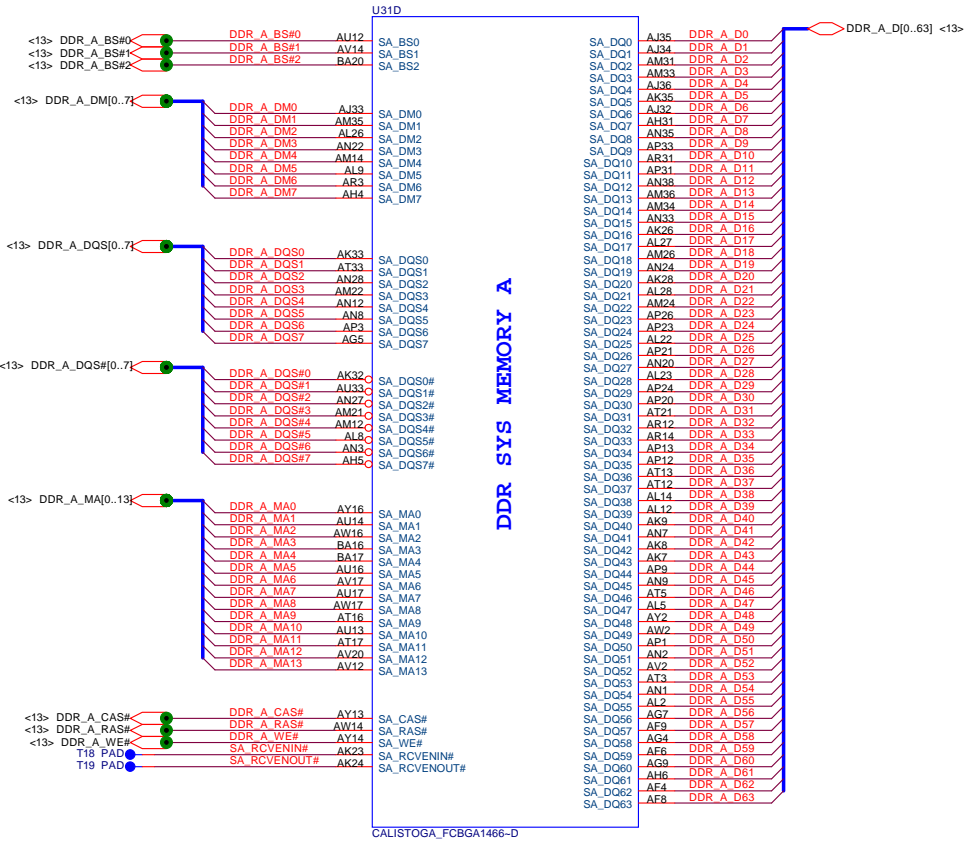


Layout Note:
 V_DDR_MCH_REF trace width and spacing is 20/20.



Description at page 15.

Security Classification	Compal Secret Data		Title	
Issued Date	2005/03/10	Deciphered Date	2006/03/10	Calistoga (1/6)
THIS SHEET OF ENGINEERING DRAWING IS THE PROPRIETARY PROPERTY OF COMPAL ELECTRONICS, INC. AND CONTAINS CONFIDENTIAL AND TRADE SECRET INFORMATION. IT SHALL NOT BE TRANSFERRED FROM THE CUSTODY OF THE COMPETENT DIVISION OF R&D DEPARTMENT EXCEPT AS AUTHORIZED BY COMPAL ELECTRONICS, INC. NEITHER THIS SHEET NOR THE INFORMATION IT CONTAINS MAY BE USED BY OR DISCLOSED TO ANY THIRD PARTY WITHOUT PRIOR WRITTEN CONSENT OF COMPAL ELECTRONICS, INC.				
Size	Document Number	Date	Sheet	Rev
Custom	LA-334IP	Tuesday, June 20, 2006	7 of 40	0.2



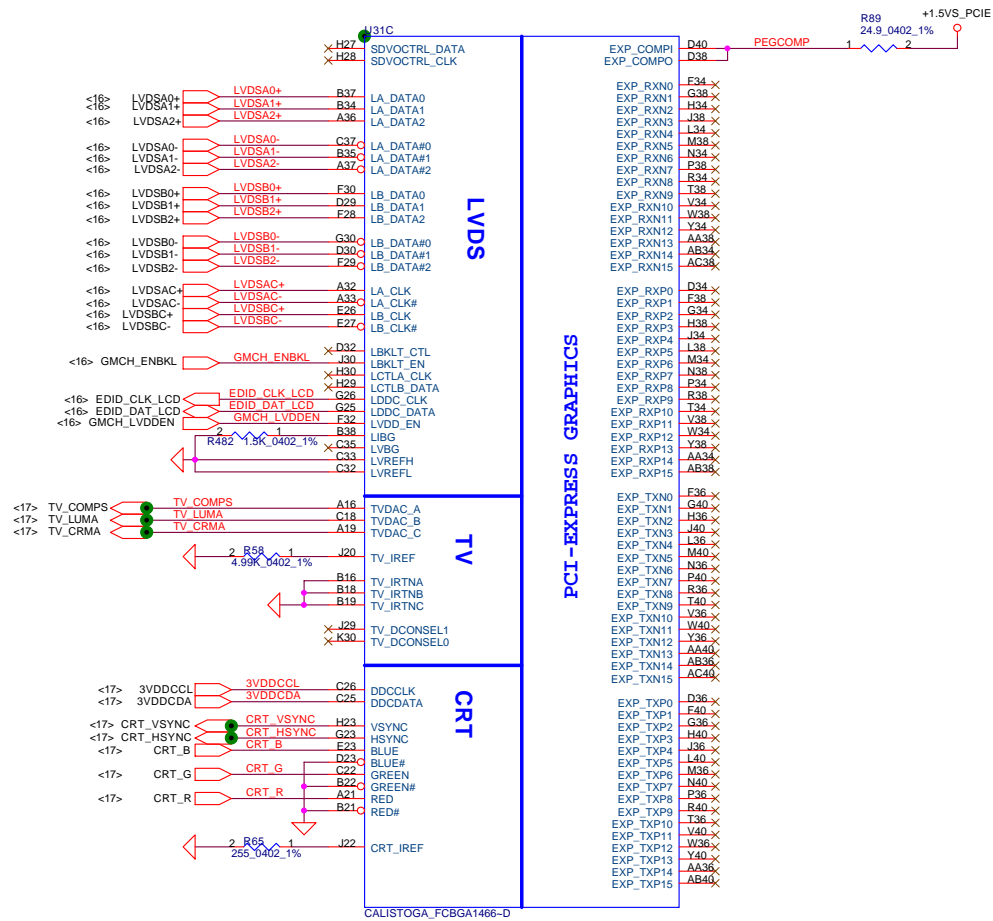
DDR SYS MEMORY A

DDR SYS MEMORY B

CALISTOGA_FCBGA1466-D

CALISTOGA_FCBGA1466-D

Security Classification	Compal Secret Data		Title	
Issued Date	2005/03/10	Deciphered Date	2006/03/10	
THIS SHEET OF ENGINEERING DRAWING IS THE PROPRIETARY PROPERTY OF COMPAL ELECTRONICS, INC. AND CONTAINS CONFIDENTIAL AND TRADE SECRET INFORMATION. THIS SHEET MAY NOT BE TRANSFERRED FROM THE CUSTODY OF THE COMPETENT DIVISION OF R&D DEPARTMENT EXCEPT AS AUTHORIZED BY COMPAL ELECTRONICS, INC. NEITHER THIS SHEET NOR THE INFORMATION IT CONTAINS MAY BE USED BY OR DISCLOSED TO ANY THIRD PARTY WITHOUT PRIOR WRITTEN CONSENT OF COMPAL ELECTRONICS, INC.			Compal Electronics, Inc. Calistoga (2/6)	
Size	Document Number	Rev		
Custom	LA-3341P	0.2		
Date:	Tuesday, June 20, 2006	Sheet	8	of 40



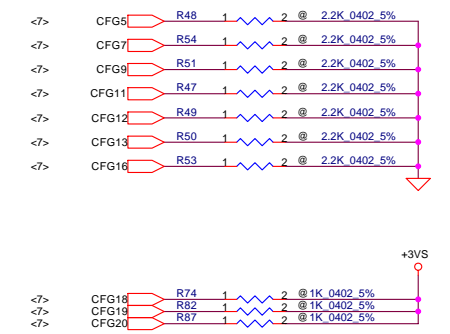
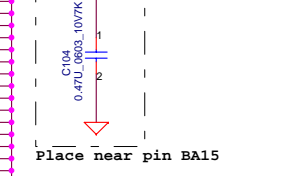
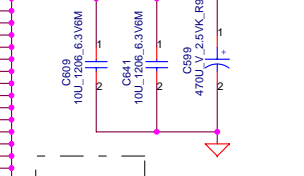
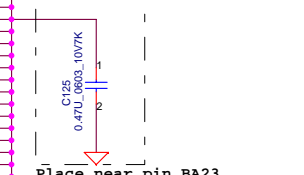
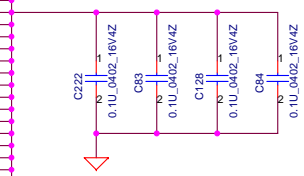
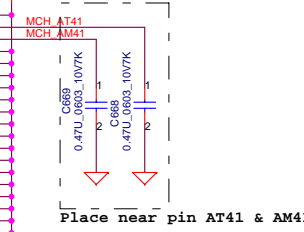
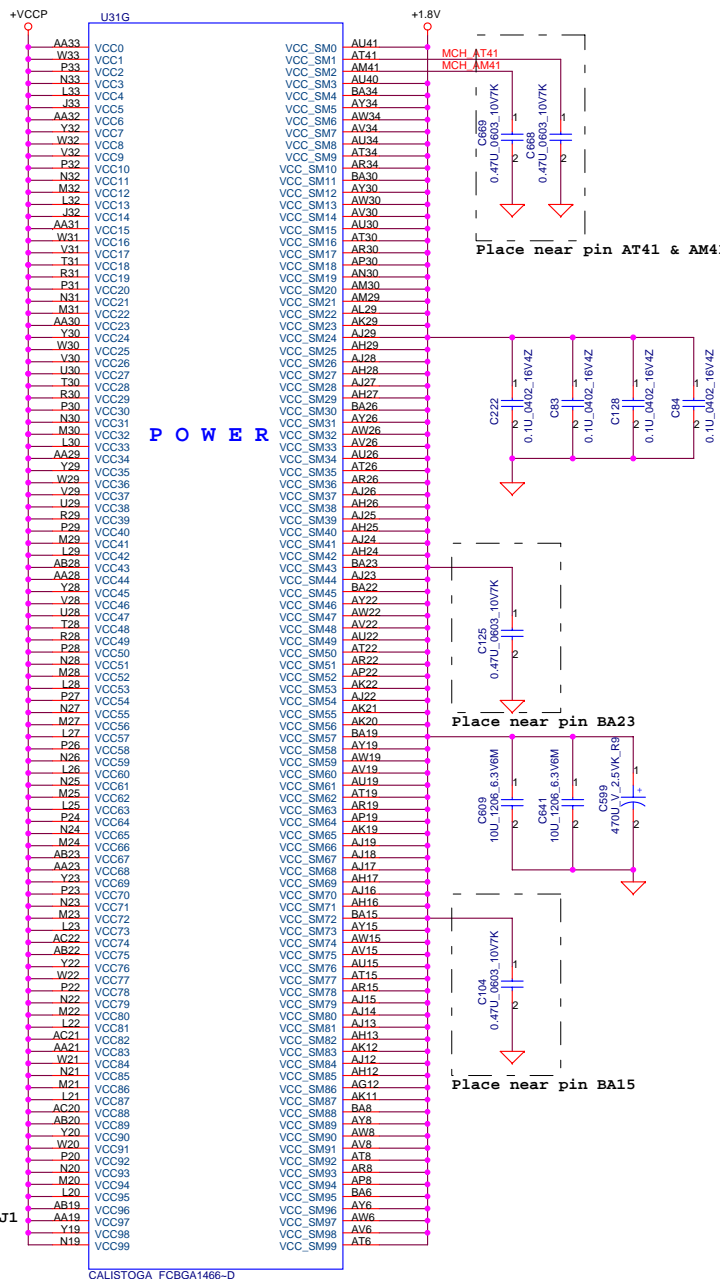
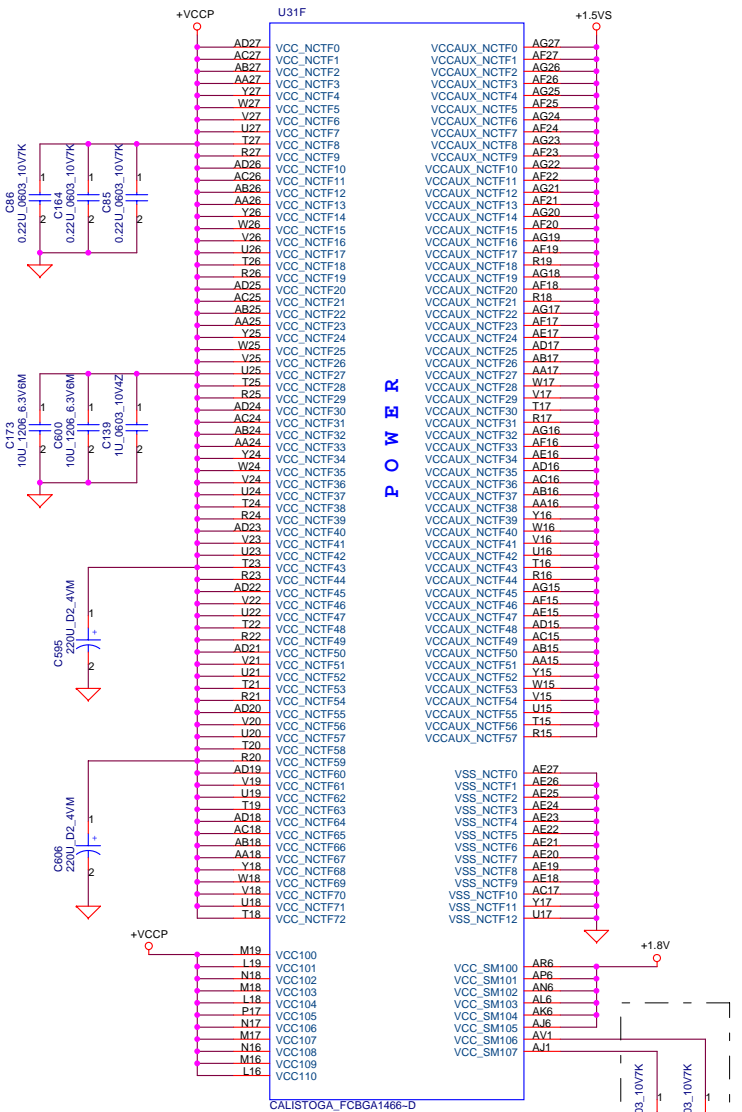
Security Classification	Compal Secret Data	
Issued Date	2005/03/10	Deciphered Date
		2006/03/10
THIS SHEET OF ENGINEERING DRAWING IS THE PROPRIETARY PROPERTY OF COMPAL ELECTRONICS, INC. AND CONTAINS CONFIDENTIAL AND TRADE SECRET INFORMATION. THIS SHEET MAY NOT BE TRANSFERRED FROM THE CUSTODY OF THE COMPETENT DIVISION OF R&D DEPARTMENT EXCEPT AS AUTHORIZED BY COMPAL ELECTRONICS, INC. NEITHER THIS SHEET NOR THE INFORMATION IT CONTAINS MAY BE USED BY OR DISCLOSED TO ANY THIRD PARTY WITHOUT PRIOR WRITTEN CONSENT OF COMPAL ELECTRONICS, INC.		

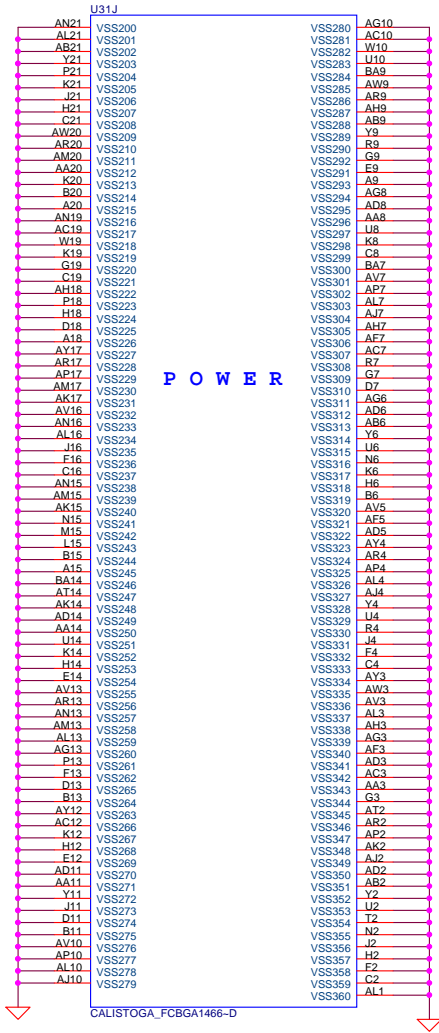
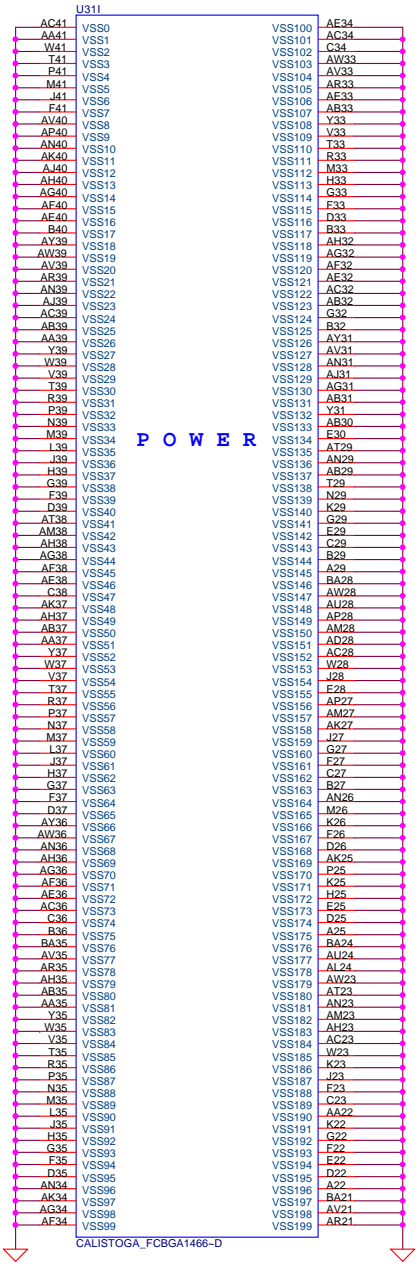
Title			Compal Electronics, Inc.	
			Calistoga (3/6)	
Size	Document Number	Rev		
Custom	LA-334IP	0.2		
Date:	Tuesday, June 20, 2006	Sheet	9	of 40

Strap Pin Table

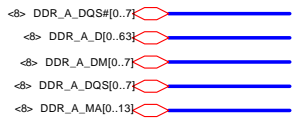
CFG[3:17] have internal pull up
CFG[19:18] have internal pull down

CFG[2:0]	011 = 667MT/s FSB 001 = 533MT/s FSB
CFG5	0 = DMI x 2 1 = DMI x 4 *(Default)
CFG7	0 = Reserved 1 = Mobile Yonah CPU*(Default)
CFG9	0 = Lane Reversal Enable 1 = Normal Operation (Default)*
CFG6	0 = Reserved
PSB 4X CLK Enable	1 = Calistoga *
CFG[13:12]	00 = Reserved 01 = XOR Mode Enabled 10 = All Z Mode Enabled 11 = Normal Operation *(Default)
CFG6	0 = Dynamic ODT Disabled 1 = Dynamic ODT Enabled *(Default)
CFG10 CFG18	10 = 1.05V*(Default) 01 = 1.5V
CFG19	0 = Normal Operation *(Default) 1 = DMI Lane Reversal Enable
SDVO_CTRLDATA	0 = No SDVO Device Present *(Default) 1 = SDVO Device Present
CFG20 (PCIE/SDVO select)	0 = Only PCIE or SDVO is operational. *(Default) 1 = PCIE/SDVO are operating simu.

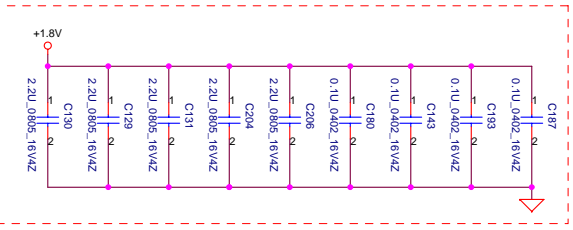




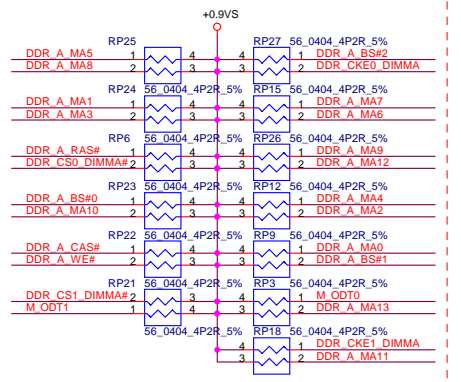
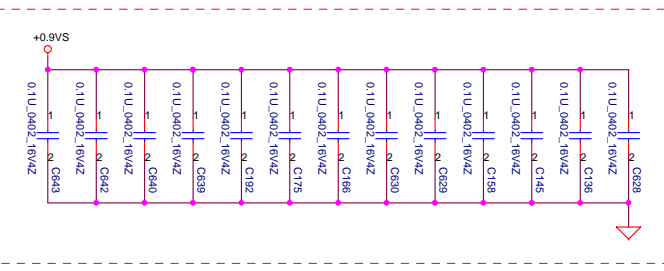
Security Classification	Compal Secret Data		Title	
Issued Date	2005/03/10	Deciphered Date	2006/03/10	Compal Electronics, Inc.
				Calistoga (6/6)
THIS SHEET OF ENGINEERING DRAWING IS THE PROPRIETARY PROPERTY OF COMPAL ELECTRONICS, INC. AND CONTAINS CONFIDENTIAL AND TRADE SECRET INFORMATION. THIS SHEET MAY NOT BE TRANSFERRED FROM THE CUSTODY OF THE COMPETENT DIVISION OF R&D DEPARTMENT EXCEPT AS AUTHORIZED BY COMPAL ELECTRONICS, INC. NEITHER THIS SHEET NOR THE INFORMATION IT CONTAINS MAY BE USED BY OR DISCLOSED TO ANY THIRD PARTY WITHOUT PRIOR WRITTEN CONSENT OF COMPAL ELECTRONICS, INC.				Size Custom
			Document Number LA-334IP	Rev 0.2
Date: Tuesday, June 20, 2006			Sheet 12	of 40



Layout Note:
Place near JP41



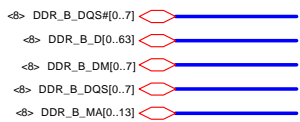
Layout Note:
Place one cap close to every 2 pullup resistors terminated to +0.9VS



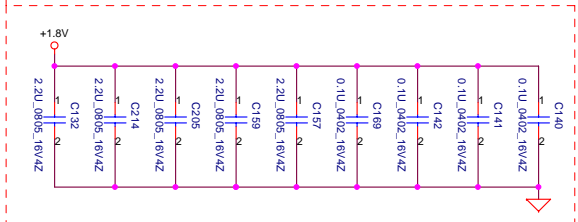
Layout Note:
Place these resistor closely JP41, all trace length Max=1.5"



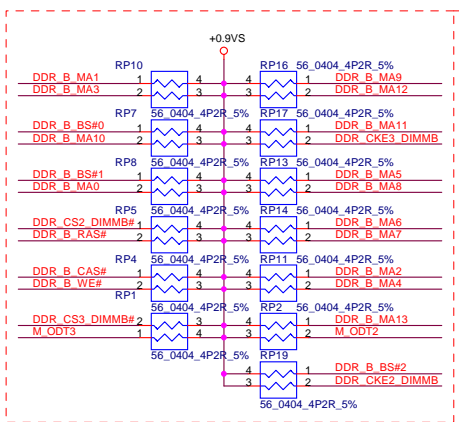
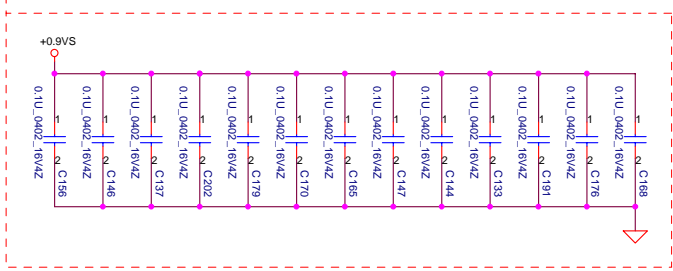
Security Classification	Compal Secret Data		Title	Compal Electronics, Inc.	
Issued Date	2005/03/10	Deciphered Date	2006/03/10	DDRII-SODIMM SLOT1	
THIS SHEET OF ENGINEERING DRAWING IS THE PROPRIETARY PROPERTY OF COMPAL ELECTRONICS, INC. AND CONTAINS CONFIDENTIAL AND TRADE SECRET INFORMATION. THIS SHEET MAY NOT BE TRANSFERRED FROM THE CUSTODY OF THE COMPETENT DIVISION OF R&D DEPARTMENT EXCEPT AS AUTHORIZED BY COMPAL ELECTRONICS, INC. NEITHER THIS SHEET NOR THE INFORMATION IT CONTAINS MAY BE USED BY OR DISCLOSED TO ANY THIRD PARTY WITHOUT PRIOR WRITTEN CONSENT OF COMPAL ELECTRONICS, INC.					
Size	Document Number	Rev	Date:	Tuesday, June 20, 2006	Sheet 13 of 40
Custom	LA-334IP	0.2			



Layout Note:
Place near JP42



Layout Note:
Place one cap close to every 2 pullup resistors terminated to +0.9VS



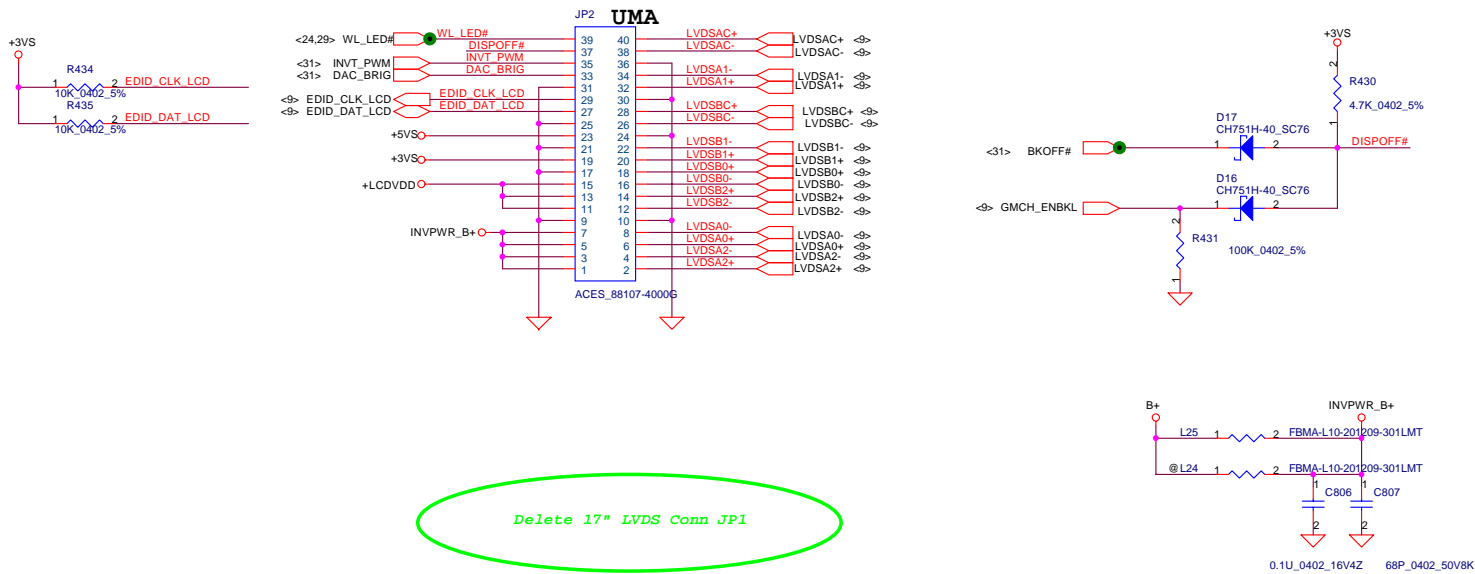
Layout Note:
Place these resistor closely JP42, all trace length Max=1.5"



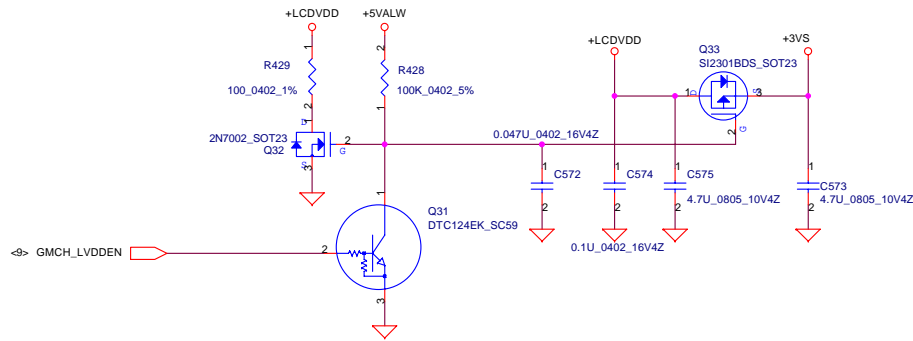
Security Classification			Compal Secret Data		
Issued Date	2005/03/10	Deciphered Date	2006/03/10	Title	
THIS SHEET OF ENGINEERING DRAWING IS THE PROPRIETARY PROPERTY OF COMPAL ELECTRONICS, INC. AND CONTAINS CONFIDENTIAL AND TRADE SECRET INFORMATION. THIS SHEET MAY NOT BE TRANSFERRED FROM THE CUSTODY OF THE COMPETENT DIVISION OF R&D DEPARTMENT EXCEPT AS AUTHORIZED BY COMPAL ELECTRONICS, INC. NEITHER THIS SHEET NOR THE INFORMATION IT CONTAINS MAY BE USED BY OR DISCLOSED TO ANY THIRD PARTY WITHOUT PRIOR WRITTEN CONSENT OF COMPAL ELECTRONICS, INC.				Size	Document Number
				LA-3341P	
Date:	Tuesday, June 20, 2006	Sheet	14	of	40

Title					
SO DIMM B STANDARD Bottom side					
Compal Electronics, Inc.					
DRII-SODIMM SLOT2					
Rev 0.2					

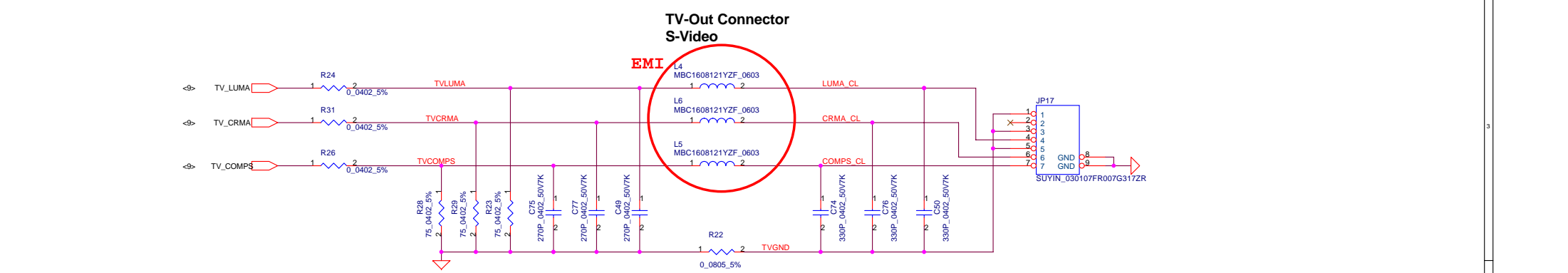
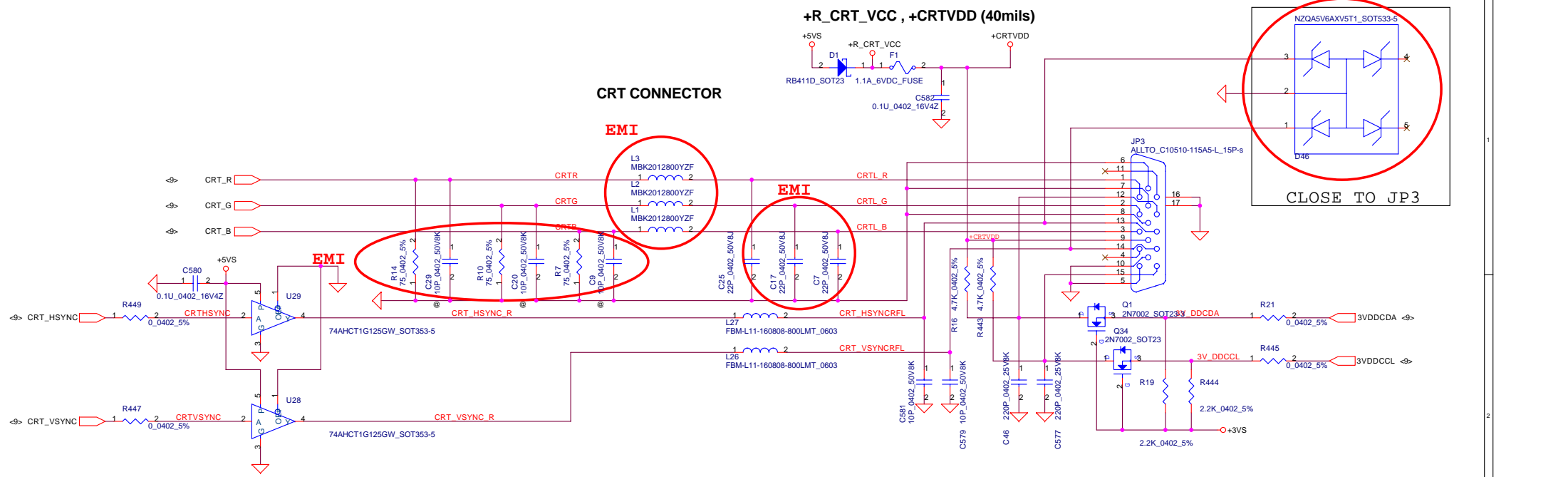
LCD Panel & inverter Connector



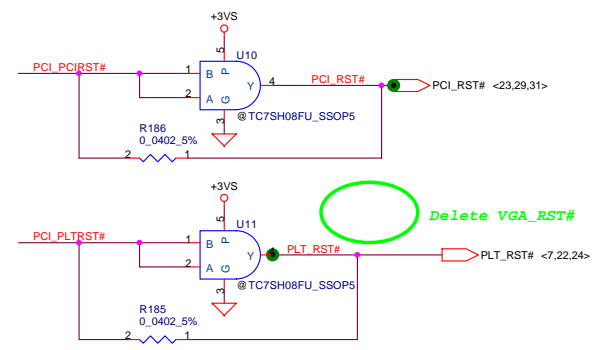
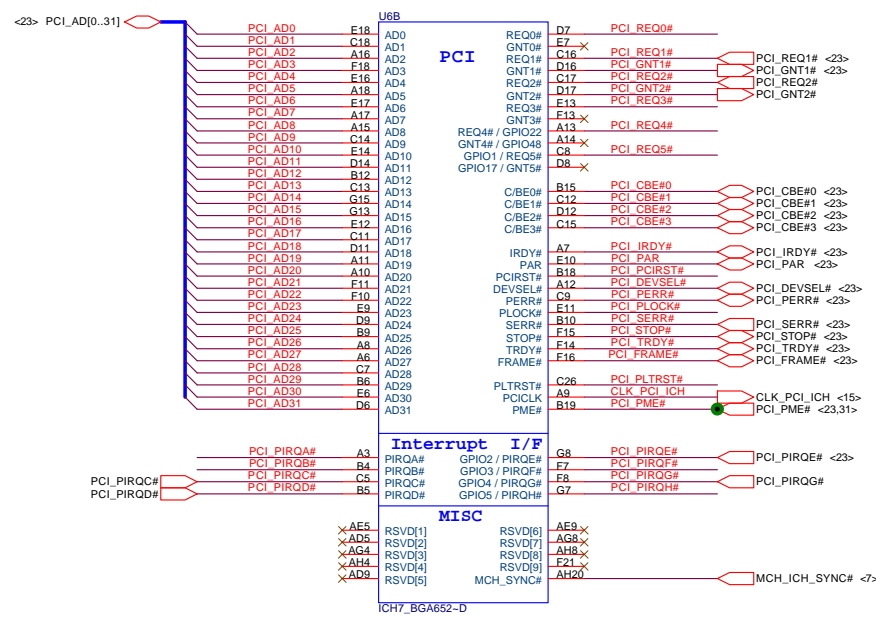
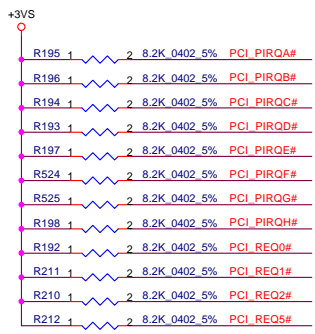
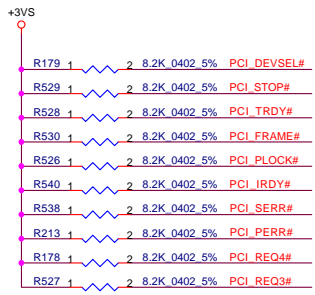
Delete 17" LVDS Conn JP1



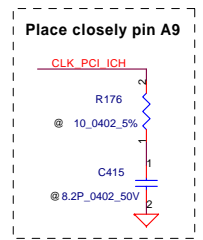
Security Classification		Compal Secret Data		Title	
Issued Date	2005/03/10	Deciphered Date	2006/03/10	Compal Electronics, Inc.	
THIS SHEET OF ENGINEERING DRAWING IS THE PROPRIETARY PROPERTY OF COMPAL ELECTRONICS, INC. AND CONTAINS CONFIDENTIAL AND TRADE SECRET INFORMATION. THIS SHEET MAY NOT BE TRANSFERRED FROM THE CUSTODY OF THE COMPETENT DIVISION OF R&D DEPARTMENT EXCEPT AS AUTHORIZED BY COMPAL ELECTRONICS, INC. NEITHER THIS SHEET NOR THE INFORMATION IT CONTAINS MAY BE USED BY OR DISCLOSED TO ANY THIRD PARTY WITHOUT PRIOR WRITTEN CONSENT OF COMPAL ELECTRONICS, INC.				Size	Document Number
				LA-334IP	Rev 0.2
Date: Tuesday, June 20, 2006				Sheet 16	of 40



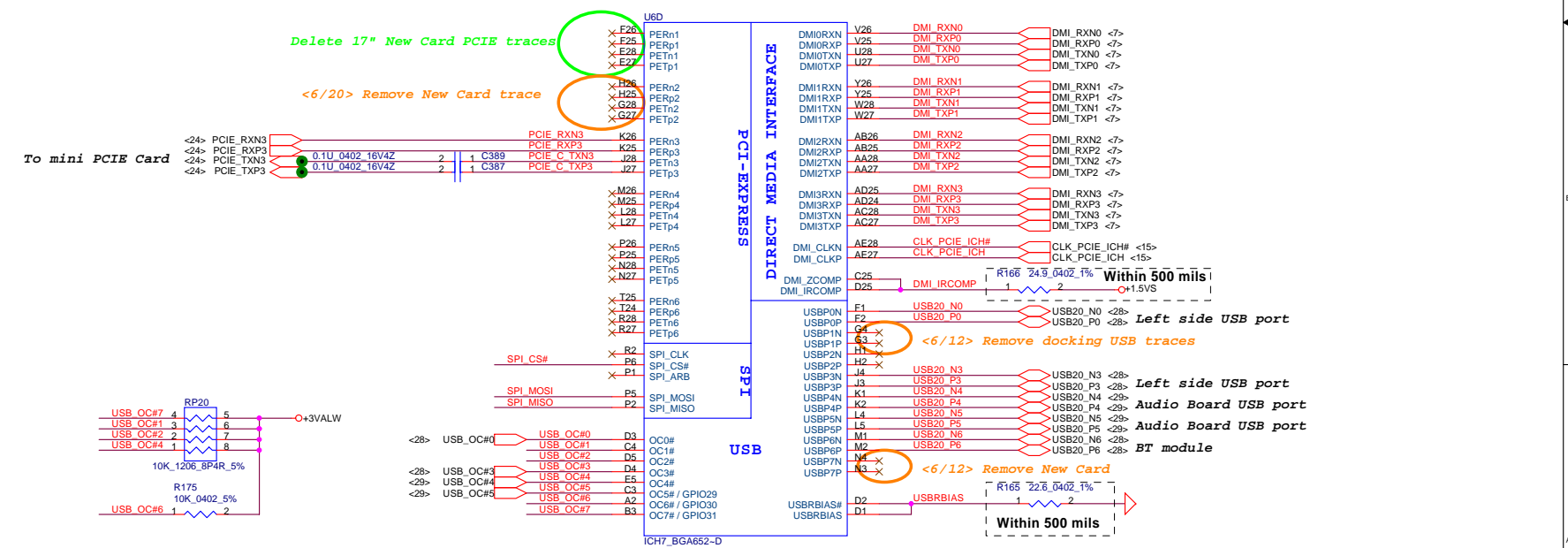
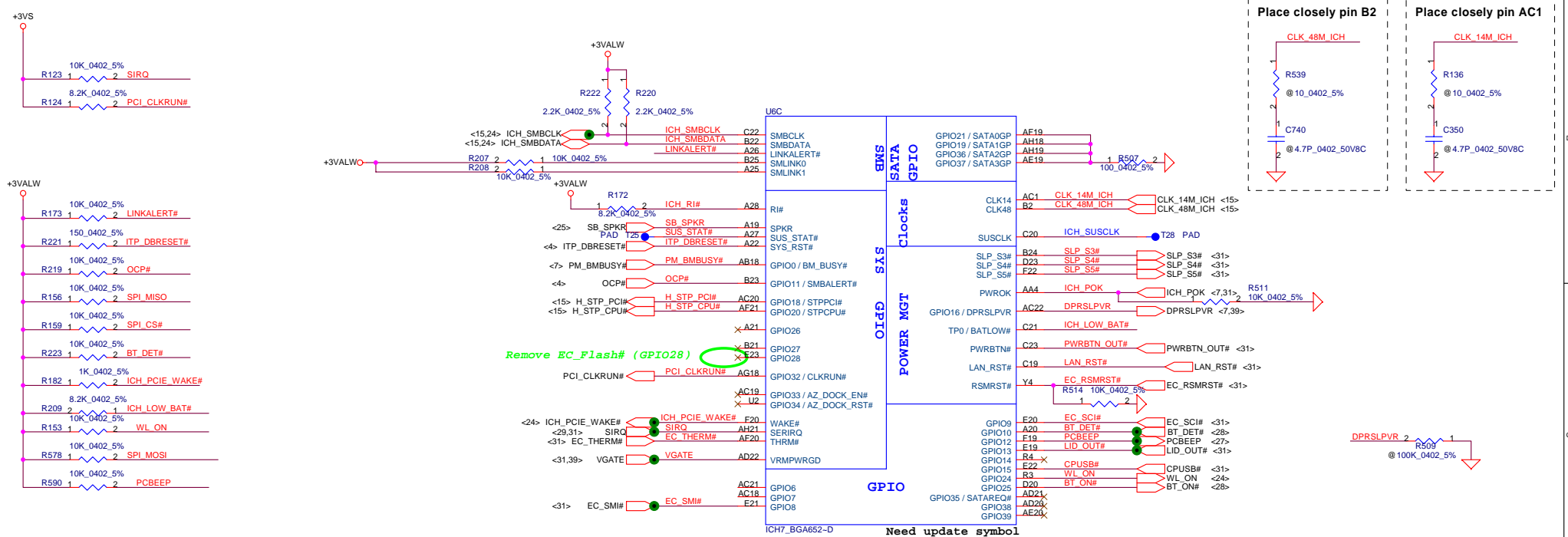
Security Classification	Compal Secret Data			Title	
Issued Date	2005/03/10	Deciphered Date	2006/03/10	Compal Electronics, Inc. CRT & TVout Connector	
<small>THIS SHEET OF ENGINEERING DRAWING IS THE PROPRIETARY PROPERTY OF COMPAL ELECTRONICS, INC. AND CONTAINS CONFIDENTIAL AND TRADE SECRET INFORMATION. THIS SHEET MAY NOT BE TRANSFERRED FROM THE CUSTODY OF THE COMPETENT DIVISION OF R&D DEPARTMENT EXCEPT AS AUTHORIZED BY COMPAL ELECTRONICS, INC. NEITHER THIS SHEET NOR THE INFORMATION IT CONTAINS MAY BE USED BY OR DISCLOSED TO ANY THIRD PARTY WITHOUT PRIOR WRITTEN CONSENT OF COMPAL ELECTRONICS, INC.</small>				Size	Rev
				Custom	0.2
				Date:	Tuesday, June 20, 2006
				Sheet	17 of 40



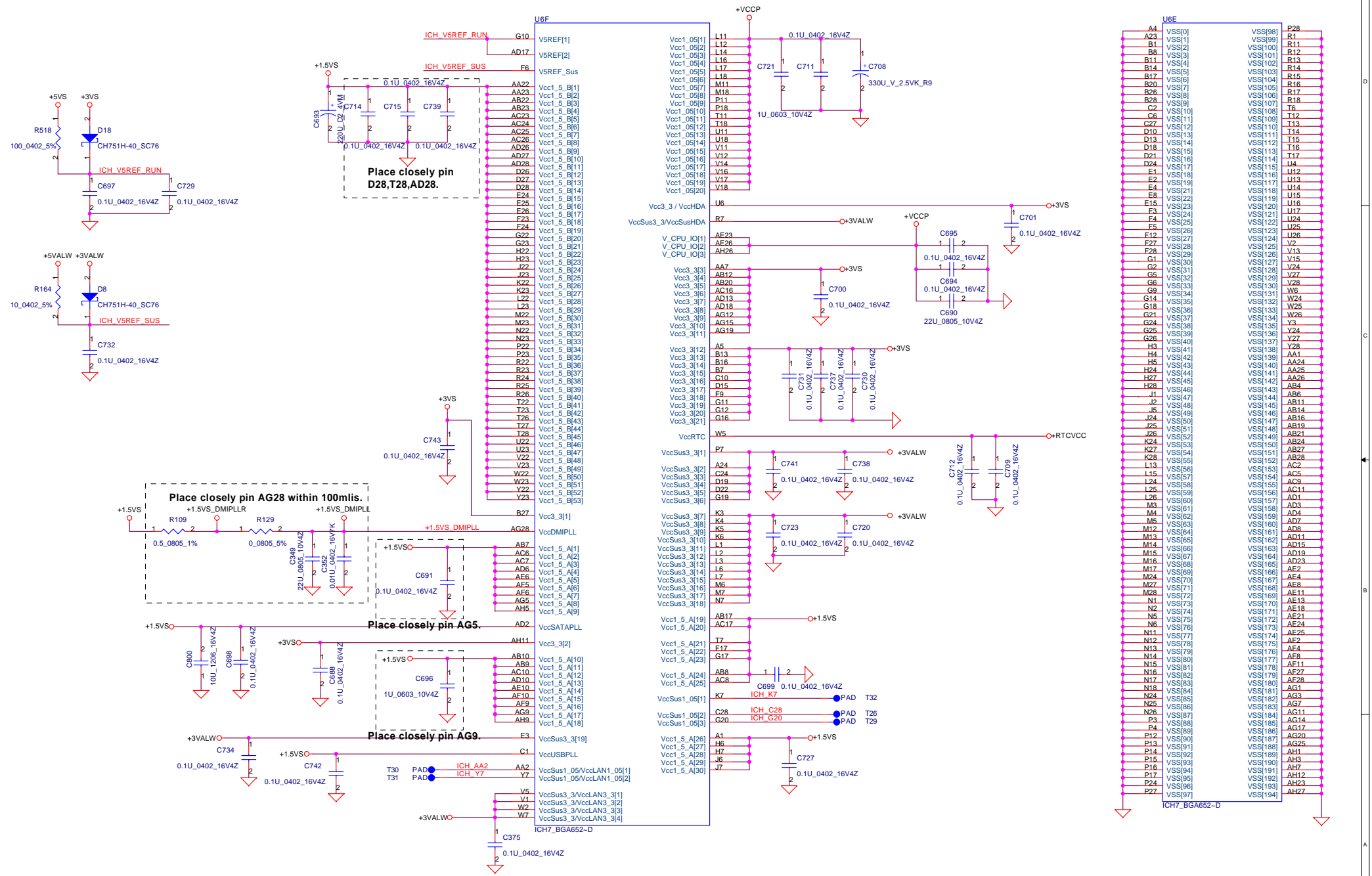
Delete VGA_RST#



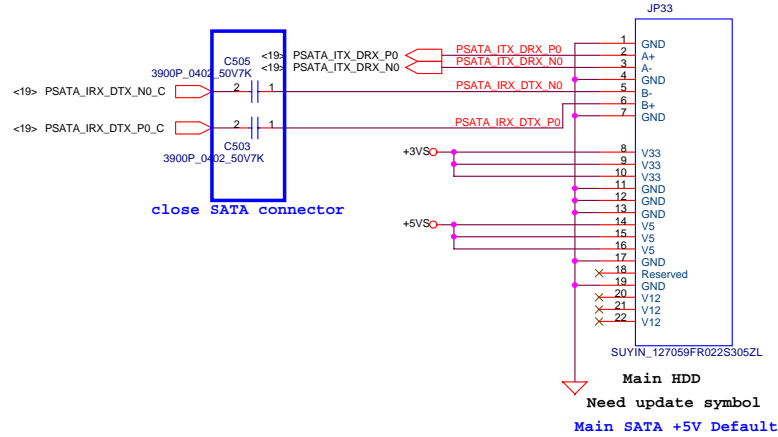
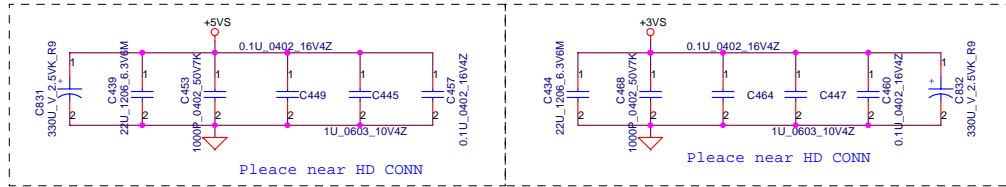
Security Classification	Compal Secret Data		Title	
Issued Date	2005/03/10	Deciphered Date	2006/03/10	Compal Electronics, Inc.
THIS SHEET OF ENGINEERING DRAWING IS THE PROPRIETARY PROPERTY OF COMPAL ELECTRONICS, INC. AND CONTAINS CONFIDENTIAL AND TRADE SECRET INFORMATION. THIS SHEET MAY NOT BE TRANSFERRED FROM THE CUSTODY OF THE COMPETENT DIVISION OF R&D DEPARTMENT EXCEPT AS AUTHORIZED BY COMPAL ELECTRONICS, INC. NEITHER THIS SHEET NOR THE INFORMATION IT CONTAINS MAY BE USED BY OR DISCLOSED TO ANY THIRD PARTY WITHOUT PRIOR WRITTEN CONSENT OF COMPAL ELECTRONICS, INC.				ICH7-M(1/4) Size Document Number LA-3341P Rev 0.2
Date:	Tuesday, June 20, 2006	Sheet	18 of 40	



Security Classification	Compal Secret Data		Title	
Issued Date	2005/03/10	Deciphered Date	2006/03/10	Compal Electronics, Inc.
				ICH7-M(3/4)
THIS SHEET OF ENGINEERING DRAWING IS THE PROPRIETARY PROPERTY OF COMPAL ELECTRONICS, INC. AND CONTAINS CONFIDENTIAL AND TRADE SECRET INFORMATION. THIS SHEET MAY NOT BE TRANSFERRED FROM THE CUSTODY OF THE COMPETENT DIVISION OF R&D DEPARTMENT EXCEPT AS AUTHORIZED BY COMPAL ELECTRONICS, INC. NEITHER THIS SHEET NOR THE INFORMATION IT CONTAINS MAY BE USED BY OR DISCLOSED TO ANY THIRD PARTY WITHOUT PRIOR WRITTEN CONSENT OF COMPAL ELECTRONICS, INC.				Size: Custom Document Number: LA-3341P Date: Tuesday, June 20, 2006
			Sheet 20 of 40	Rev 0.2

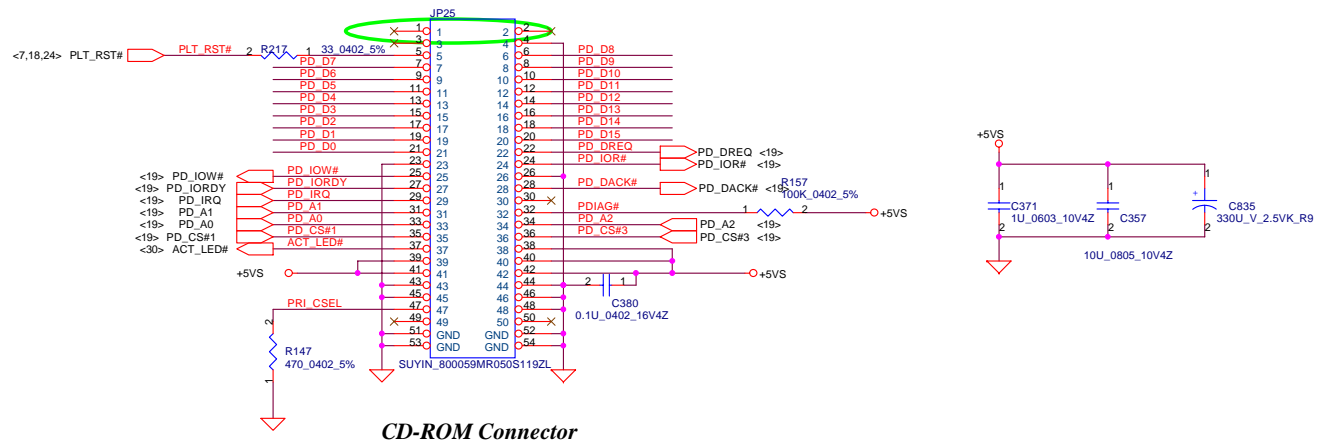


Security Classification		Compal Secret Data		Title	
Issued Date	2005/03/10	Deciphered Date	2006/03/10	Compal Electronics, Inc.	
THIS SHEET OF ENGINEERING DRAWING IS THE PROPRIETARY PROPERTY OF COMPAL ELECTRONICS, INC. AND CONTAINS CONFIDENTIAL AND TRADE SECRET INFORMATION. THIS SHEET MAY NOT BE TRANSFERRED FROM THE CUSTODY OF THE COMPETENT DIVISION OF R&D DEPARTMENT EXCEPT AS AUTHORIZED BY COMPAL ELECTRONICS, INC. NEITHER THIS SHEET NOR THE INFORMATION IT CONTAINS MAY BE USED BY OR DISCLOSED TO ANY THIRD PARTY WITHOUT PRIOR WRITTEN CONSENT OF COMPAL ELECTRONICS, INC.				Size	Rev
Custom	Document Number	LA-334IP		21	0.2
Date:	Tuesday, June 20, 2006	Sheet	21	of 40	

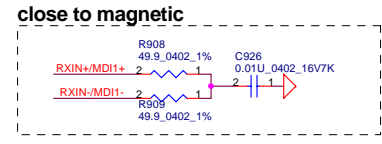
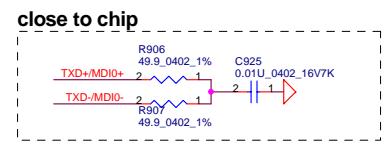
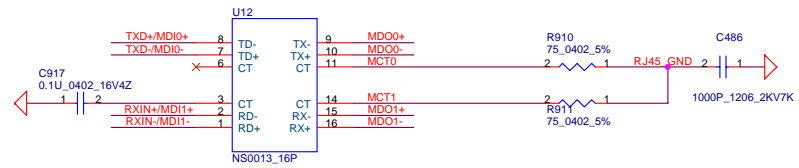
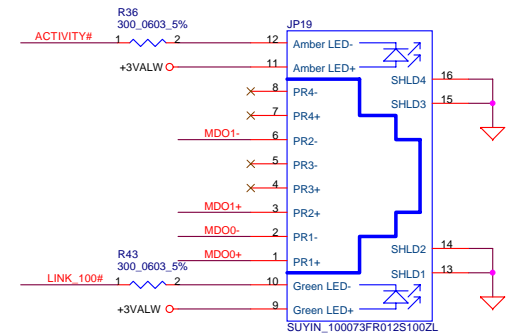
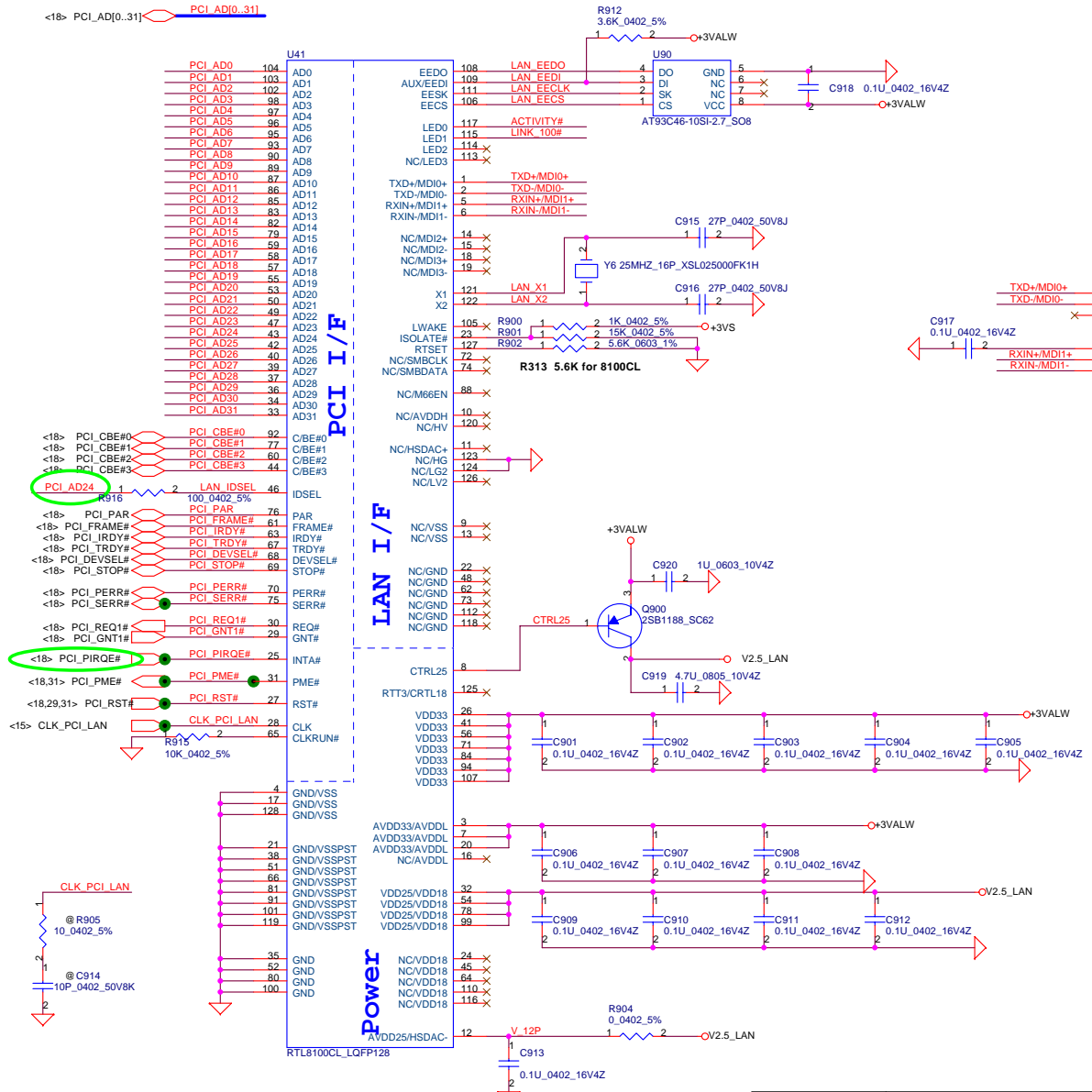


PD_D[0..15] PD_D[0..15] <19>

Delete CD traces (JP25 pin1,2 and3)

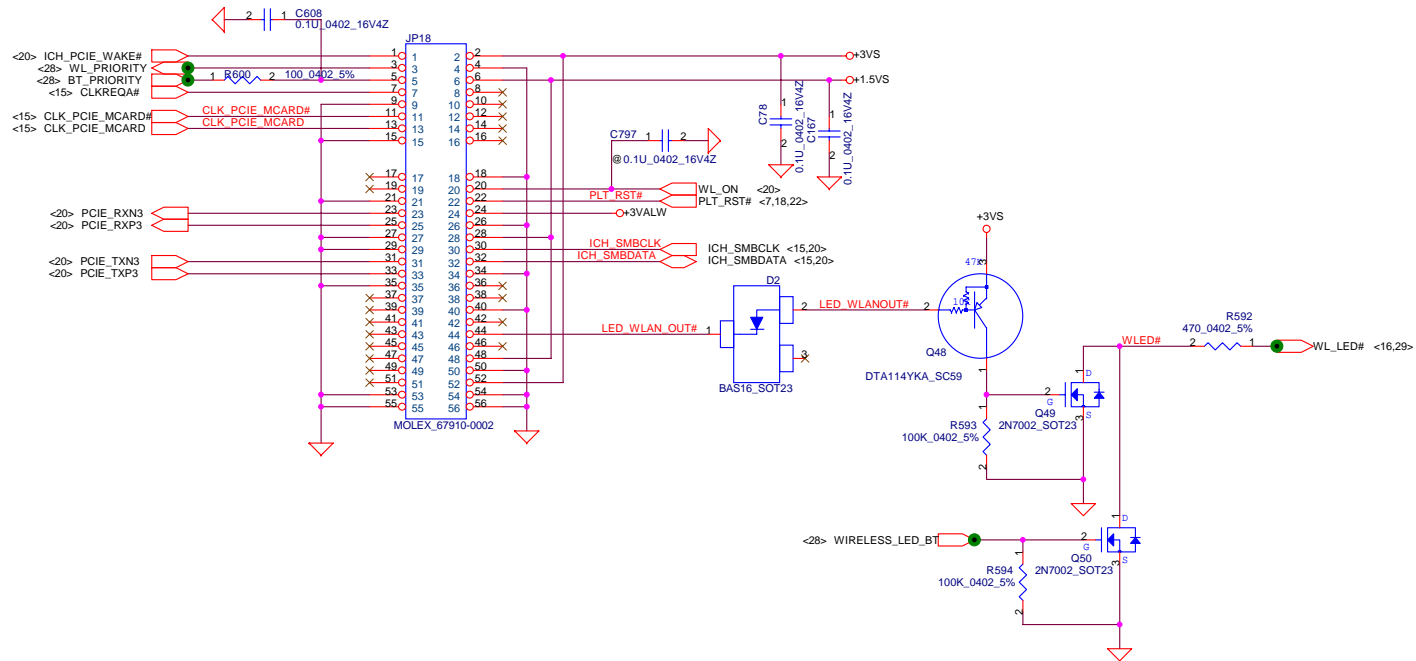


Security Classification	Compal Secret Data		Title	Compal Electronics, Inc.	
Issued Date	2005/03/10	Deciphered Date	2006/03/10	HDD & CDROM	
<small>THIS SHEET OF ENGINEERING DRAWING IS THE PROPRIETARY PROPERTY OF COMPAL ELECTRONICS, INC. AND CONTAINS CONFIDENTIAL AND TRADE SECRET INFORMATION. THIS SHEET MAY NOT BE TRANSFERRED FROM THE CUSTODY OF THE COMPETENT DIVISION OF R&D DEPARTMENT EXCEPT AS AUTHORIZED BY COMPAL ELECTRONICS, INC. NEITHER THIS SHEET NOR THE INFORMATION IT CONTAINS MAY BE USED BY OR DISCLOSED TO ANY THIRD PARTY WITHOUT PRIOR WRITTEN CONSENT OF COMPAL ELECTRONICS, INC.</small>				Size	Rev
				Document Number	0.2
				LA-334IP	
Date:	Tuesday, June 20, 2006	Sheet	22	of	40



Security Classification				Compal Secret Data	
Issued Date	2005/03/01	Deciphered Date	2005/04/06	Title	
				LAN-8100CL	
THIS SHEET OF ENGINEERING DRAWING IS THE PROPRIETARY PROPERTY OF COMPAL ELECTRONICS, INC. AND CONTAINS CONFIDENTIAL AND TRADE SECRET INFORMATION. THIS SHEET MAY NOT BE TRANSFERRED FROM THE CUSTODY OF THE COMPETENT DIVISION OF R&D DEPARTMENT EXCEPT AS AUTHORIZED BY COMPAL ELECTRONICS, INC. NEITHER THIS SHEET NOR THE INFORMATION IT CONTAINS MAY BE USED BY OR DISCLOSED TO ANY THIRD PARTY WITHOUT PRIOR WRITTEN CONSENT OF COMPAL ELECTRONICS, INC.				Size	Document Number
				Custom	LA-3341P
				Date:	Tuesday, June 20, 2006
				Sheet	23 of 40
				Rev	0.2

Mini-Express Card(Slot 1-WLAN)



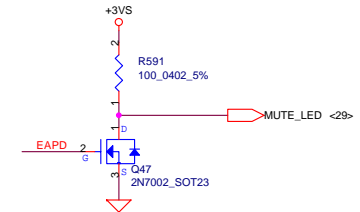
Security Classification	Compal Secret Data		Title	Compal Electronics, Inc.	
Issued Date	2005/03/10	Deciphered Date	2006/03/10	Mini Card	
THIS SHEET OF ENGINEERING DRAWING IS THE PROPRIETARY PROPERTY OF COMPAL ELECTRONICS, INC. AND CONTAINS CONFIDENTIAL AND TRADE SECRET INFORMATION. THIS SHEET MAY NOT BE TRANSFERRED FROM THE CUSTODY OF THE COMPETENT DIVISION OF R&D DEPARTMENT EXCEPT AS AUTHORIZED BY COMPAL ELECTRONICS, INC. NEITHER THIS SHEET NOR THE INFORMATION IT CONTAINS MAY BE USED BY OR DISCLOSED TO ANY THIRD PARTY WITHOUT PRIOR WRITTEN CONSENT OF COMPAL ELECTRONICS, INC.				Size	Rev
				Custom	0.2
				Date:	Tuesday, June 20, 2006
				Sheet	24 of 40

<6/12> Remove PCM_SPK

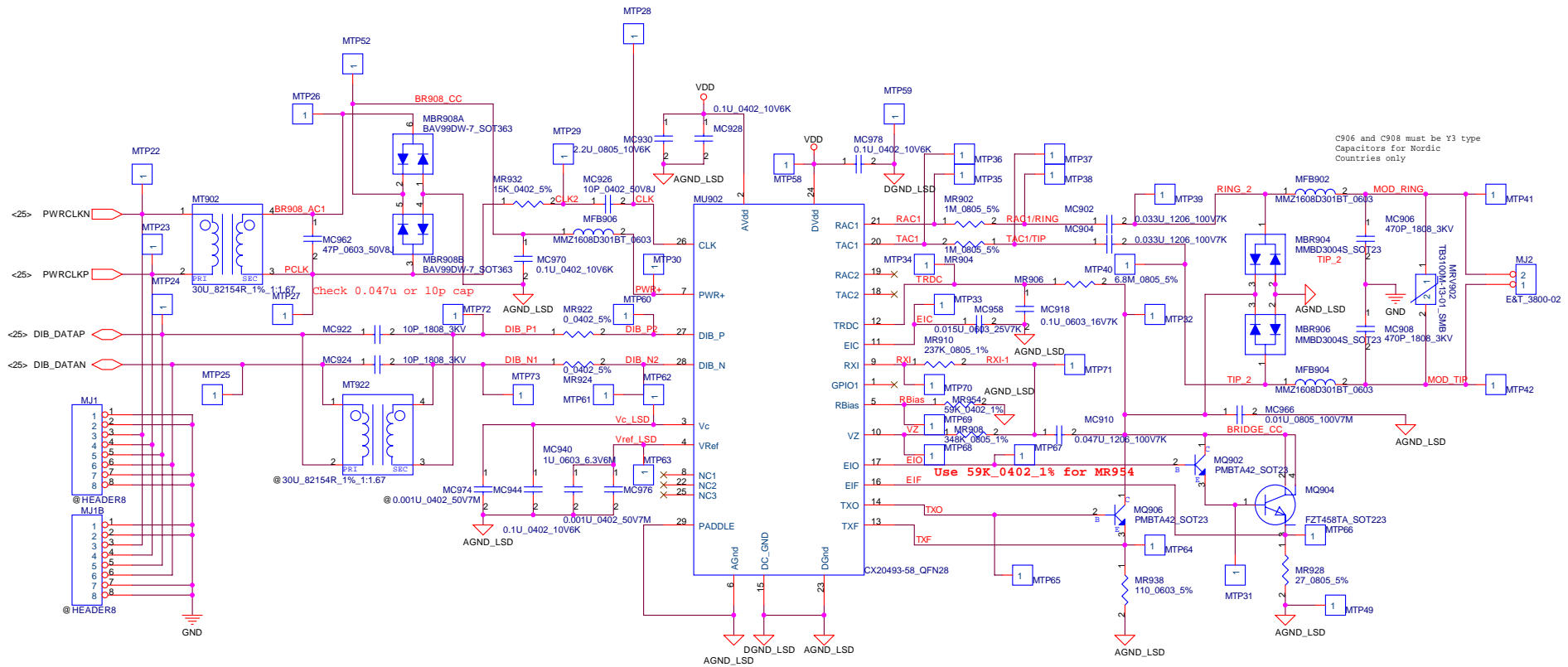
For Layout:
Place decoupling caps near the power pins of SmartAMC device.

HP_DET#	JACK_DET#	PORT-A	PORT-B	EQ
0	0	ON	OFF	Disable
0	NC	ON	OFF	Disable
NC	0	OFF	ON	Disable
NC	NC	ON	OFF	Enable

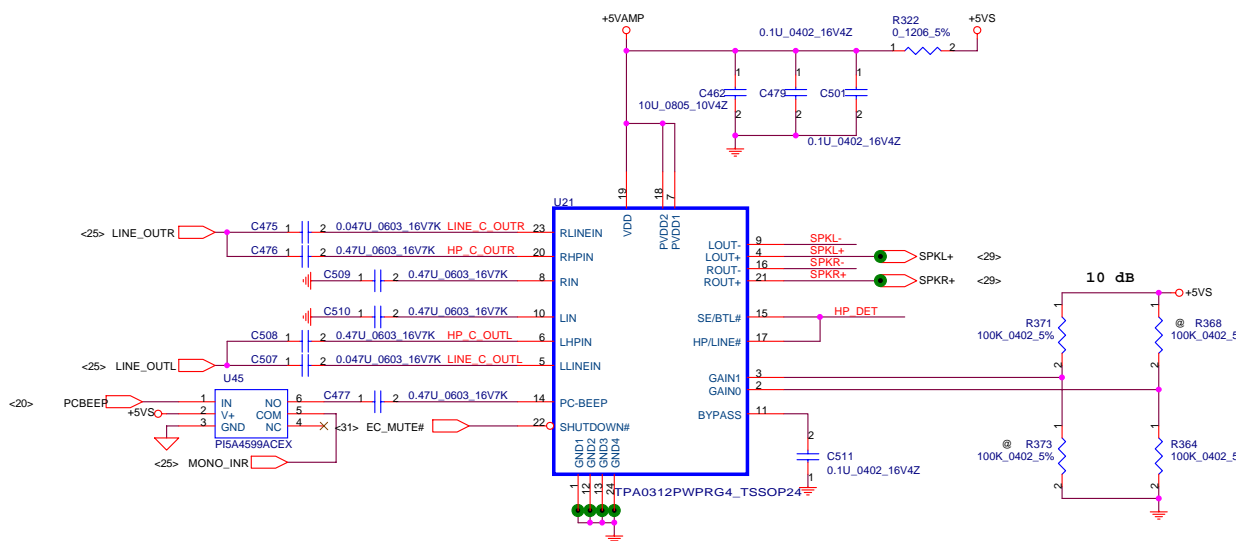
MIC_DET	PORT-C	PORT-F
0	ON	OFF
NC	OFF	ON



Security Classification	Compal Secret Data			Title	
Issued Date	2005/03/10	Deciphered Date	2006/03/10	AMOM codec	
THIS SHEET OF ENGINEERING DRAWING IS THE PROPRIETARY PROPERTY OF COMPAL ELECTRONICS, INC. AND CONTAINS CONFIDENTIAL AND TRADE SECRET INFORMATION. THIS SHEET MAY NOT BE TRANSFERRED FROM THE CUSTODY OF THE COMPETENT DIVISION OF R&D DEPARTMENT EXCEPT AS AUTHORIZED BY COMPAL ELECTRONICS, INC. NEITHER THIS SHEET NOR THE INFORMATION IT CONTAINS MAY BE USED BY OR DISCLOSED TO ANY THIRD PARTY WITHOUT PRIOR WRITTEN CONSENT OF COMPAL ELECTRONICS, INC.				Size	Document Number
				Custom	LA-334P
				Date:	Tuesday, June 20, 2006
				Sheet	25 of 40

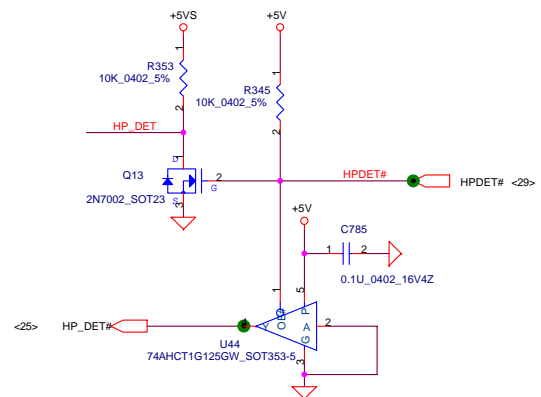
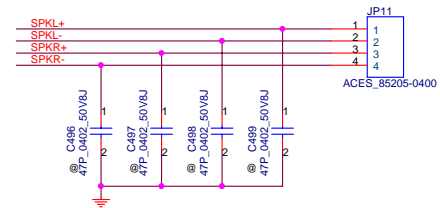


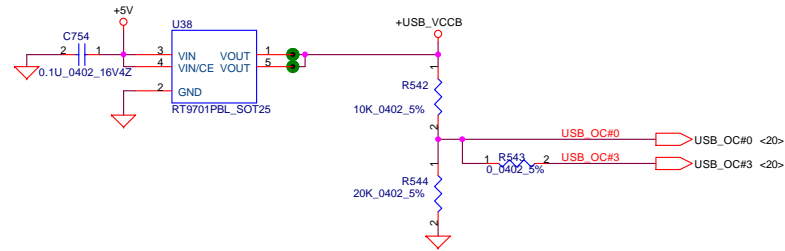
Security Classification		Compal Secret Data		Compal Electronics, Inc.	
Issued Date	2005/03/10	Deciphered Date	2006/03/10	Title AMOM modem	
THIS SHEET OF ENGINEERING DRAWING IS THE PROPRIETARY PROPERTY OF COMPAL ELECTRONICS, INC. AND CONTAINS CONFIDENTIAL AND TRADE SECRET INFORMATION. THIS SHEET MAY NOT BE TRANSFERRED FROM THE CUSTODY OF THE COMPETENT DIVISION OF R&D DEPARTMENT EXCEPT AS AUTHORIZED BY COMPAL ELECTRONICS, INC. NEITHER THIS SHEET NOR THE INFORMATION IT CONTAINS MAY BE USED BY OR DISCLOSED TO ANY THIRD PARTY WITHOUT PRIOR WRITTEN CONSENT OF COMPAL ELECTRONICS, INC.				Size Custom	Document Number LA-3341P
Date: Tuesday, June 20, 2006				Rev 0.2	Sheet 26 of 40



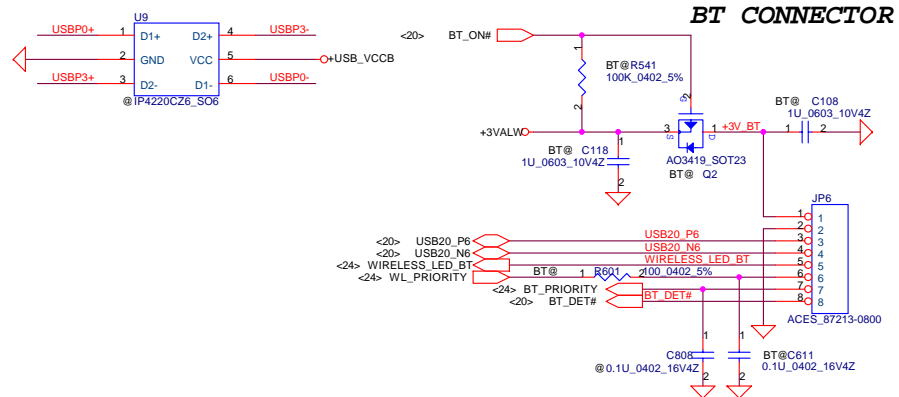
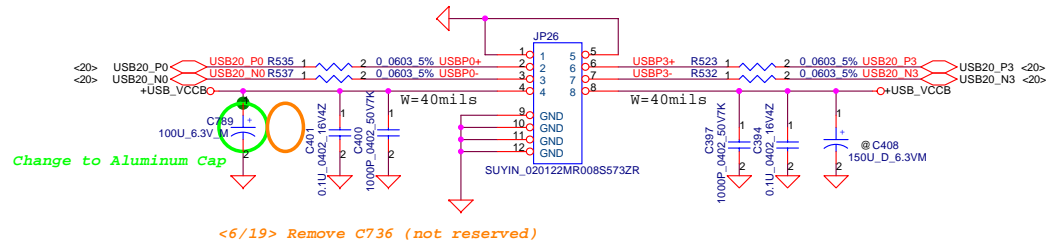
HEADPHONE OUT/LINE OUT

Gain Settings			
GAIN0	GAIN1	SE/BTL#	Av (inv)
0	0	0	6 dB
0	1	0	* 10 dB
1	0	0	15.6 dB
1	1	0	21.6 dB
X	X	1	4.1 dB



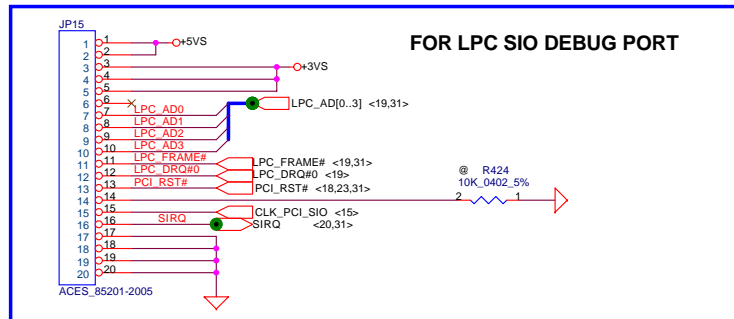
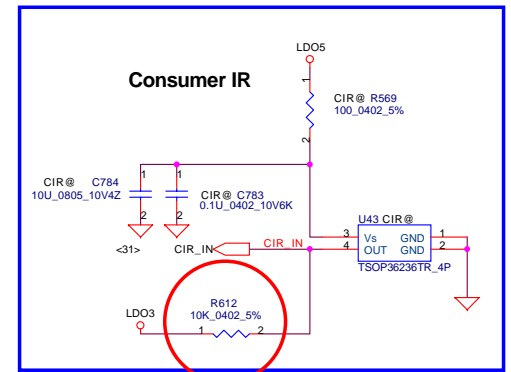
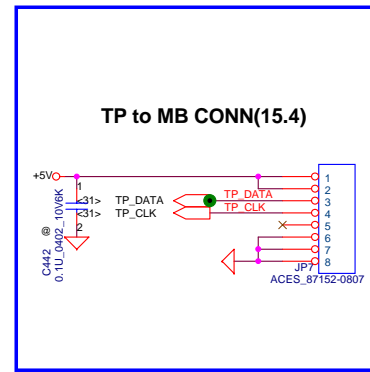
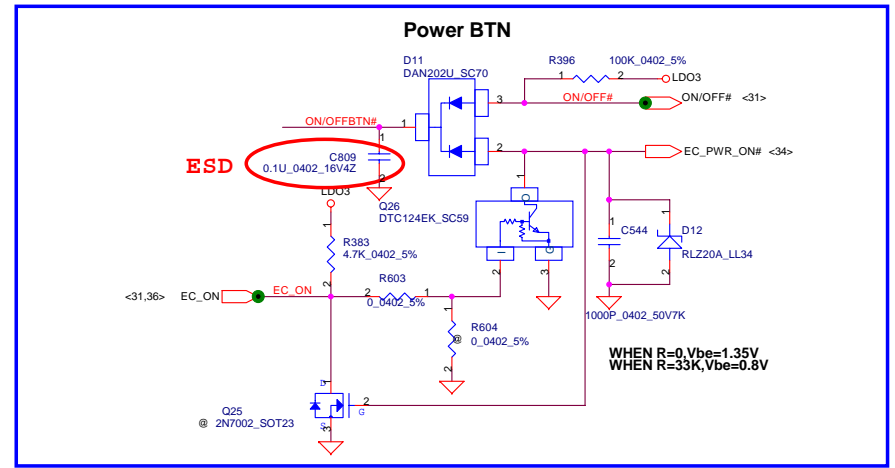
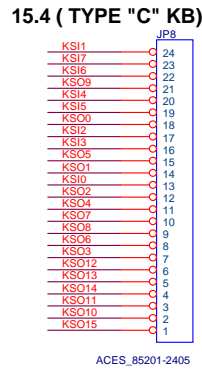
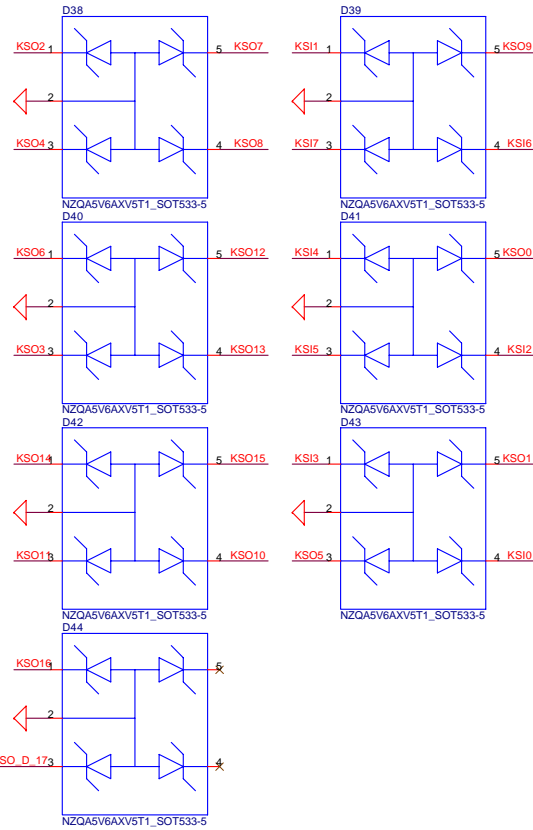
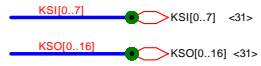


USB CONNECTOR (Left side)



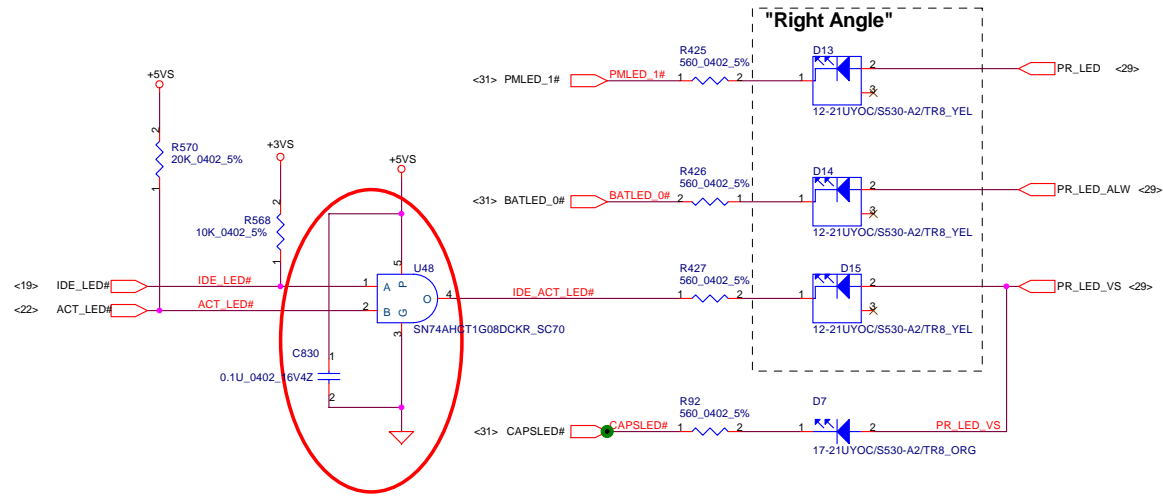
Reserve Bluetooth

Security Classification		Compal Secret Data		Compal Electronics, Inc.	
Issued Date	2005/03/10	Deciphered Date	2006/03/10	Title	
THIS SHEET OF ENGINEERING DRAWING IS THE PROPRIETARY PROPERTY OF COMPAL ELECTRONICS, INC. AND CONTAINS CONFIDENTIAL AND TRADE SECRET INFORMATION. THIS SHEET MAY NOT BE TRANSFERRED FROM THE CUSTODY OF THE COMPETENT DIVISION OF R&D DEPARTMENT EXCEPT AS AUTHORIZED BY COMPAL ELECTRONICS, INC. NEITHER THIS SHEET NOR THE INFORMATION IT CONTAINS MAY BE USED BY OR DISCLOSED TO ANY THIRD PARTY WITHOUT PRIOR WRITTEN CONSENT OF COMPAL ELECTRONICS, INC.				Bluetooth & USB CONN.	
				Size	Document Number
Customer	LA-3341P	Date:	Tuesday, June 20, 2006	Sheet	28 of 40



For PR

FOR POWER BUTTON BACKLIGHT SYSTEM POWER



Security Classification	Compal Secret Data			Title	
Issued Date	2005/03/10	Deciphered Date	2006/03/10	INDICATE LED	
THIS SHEET OF ENGINEERING DRAWING IS THE PROPRIETARY PROPERTY OF COMPAL ELECTRONICS, INC. AND CONTAINS CONFIDENTIAL AND TRADE SECRET INFORMATION. THIS SHEET MAY NOT BE TRANSFERRED FROM THE CUSTODY OF THE COMPETENT DIVISION OF R&D DEPARTMENT EXCEPT AS AUTHORIZED BY COMPAL ELECTRONICS, INC. NEITHER THIS SHEET NOR THE INFORMATION IT CONTAINS MAY BE USED BY OR DISCLOSED TO ANY THIRD PARTY WITHOUT PRIOR WRITTEN CONSENT OF COMPAL ELECTRONICS, INC.				Size	Rev
				Custom	0.2
				Date:	Tuesday, June 20, 2006
				Sheet	30 of 40

Compal Electronics, Inc.

INDICATE LED

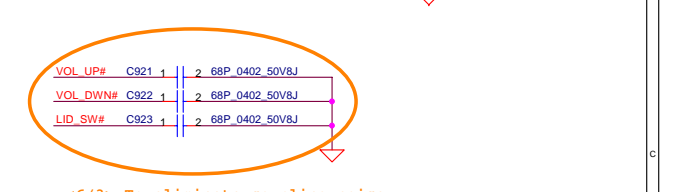
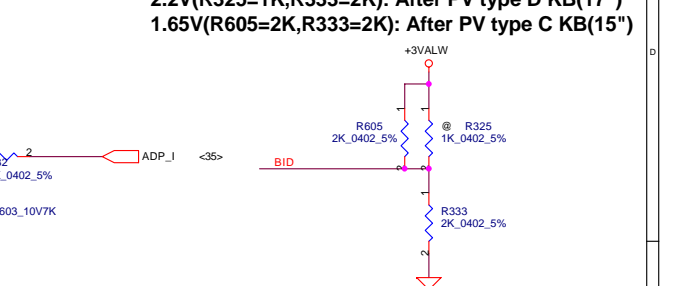
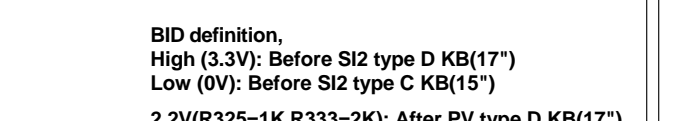
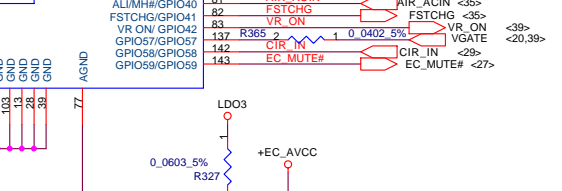
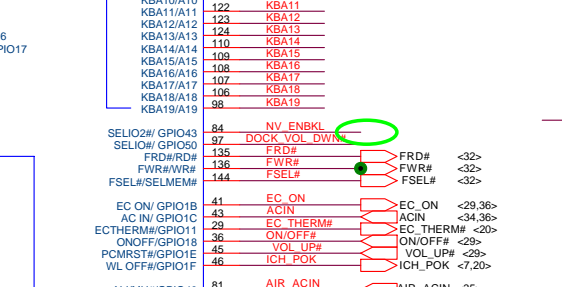
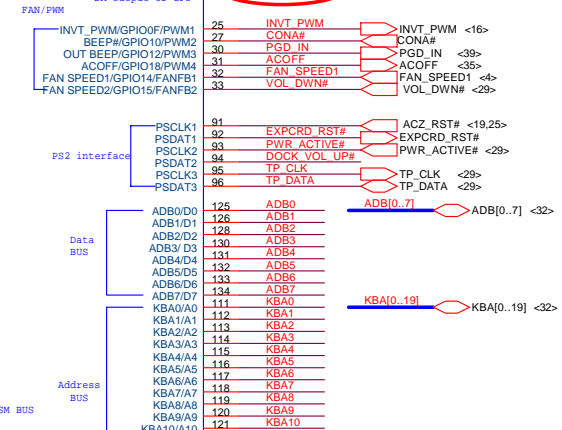
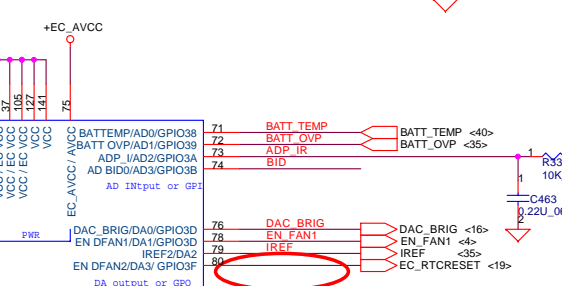
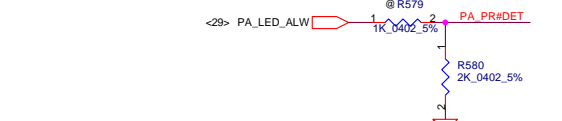
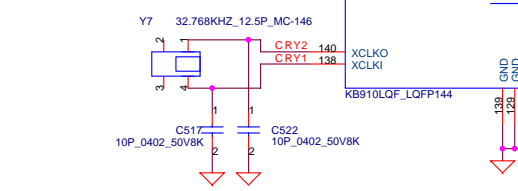
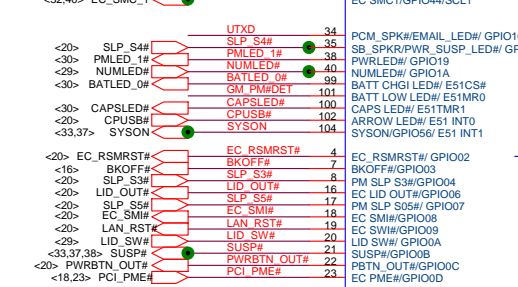
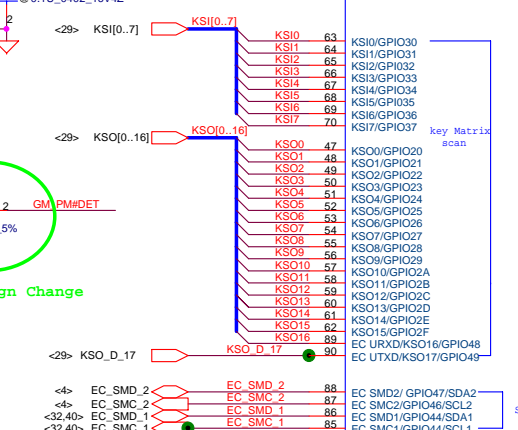
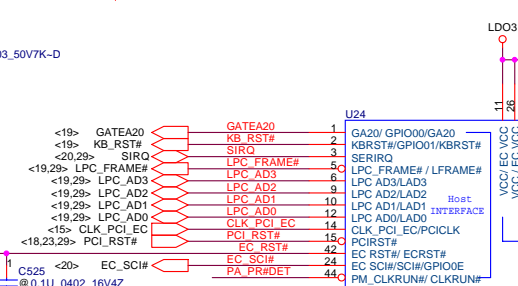
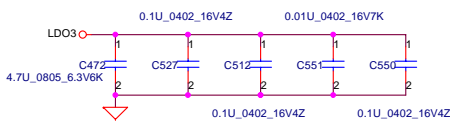
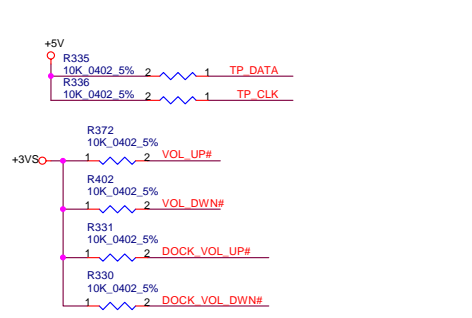
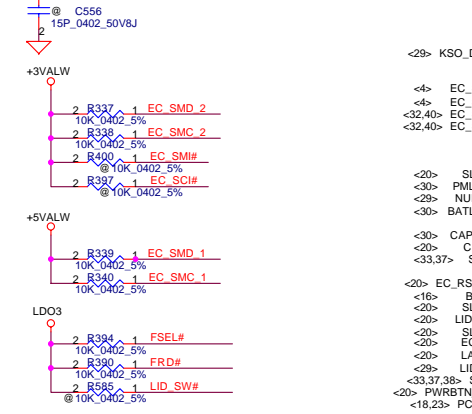
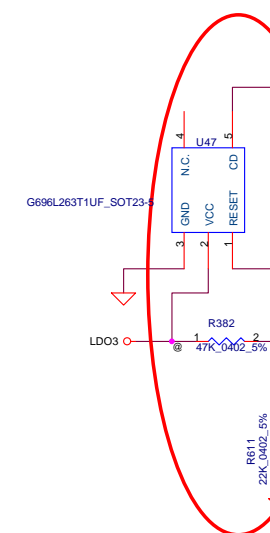
Document Number
LA-3341P

Rev
0.2

Date: Tuesday, June 20, 2006

Sheet 30 of 40

$Cd(uF)=T(ms) / 1685$
 $Cd=2700PF \rightarrow T=3.6ms$





<6/3> To eliminate coupling noise

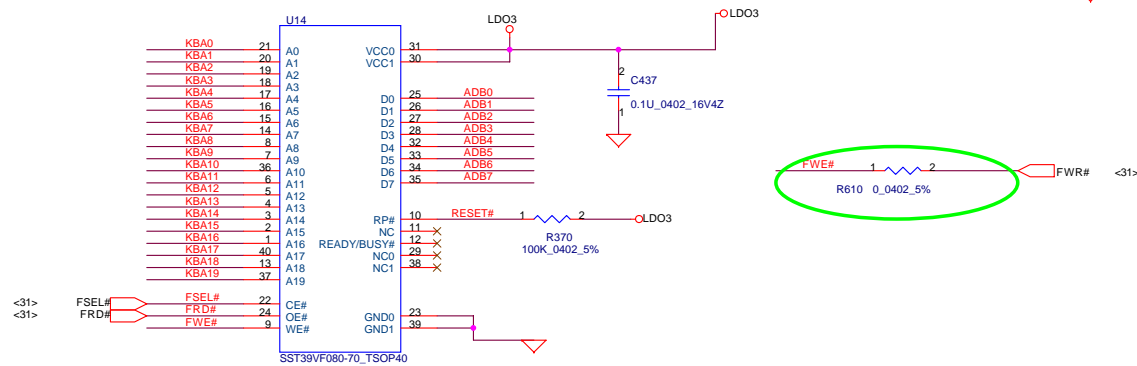
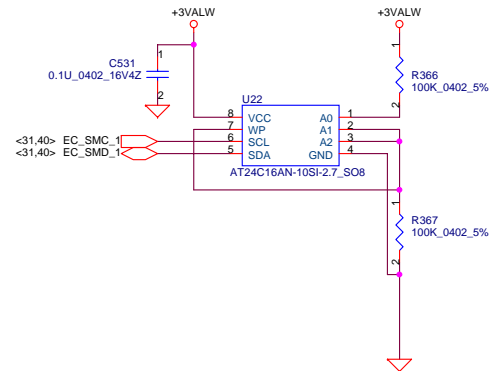
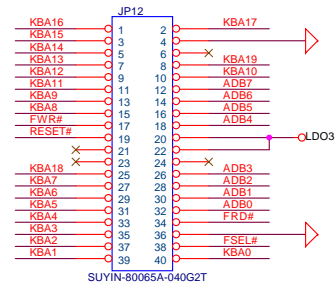
BID definition,
High (3.3V): Before SI2 type D KB(17")
Low (0V): Before SI2 type C KB(15")
2.2V(R325=1K,R333=2K): After PV type D KB(17")
1.65V(R605=2K,R333=2K): After PV type C KB(15")

Security Classification	Compal Secret Data	
Issued Date	2005/03/10	Deciphered Date
		2006/03/10

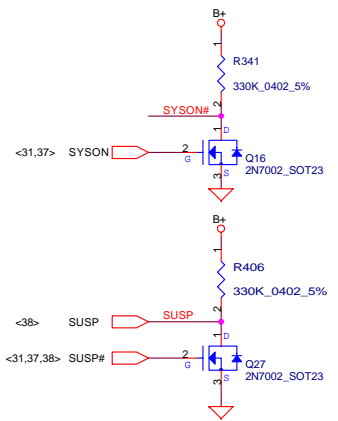
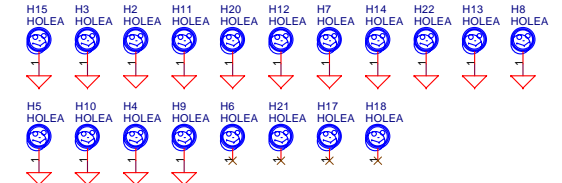
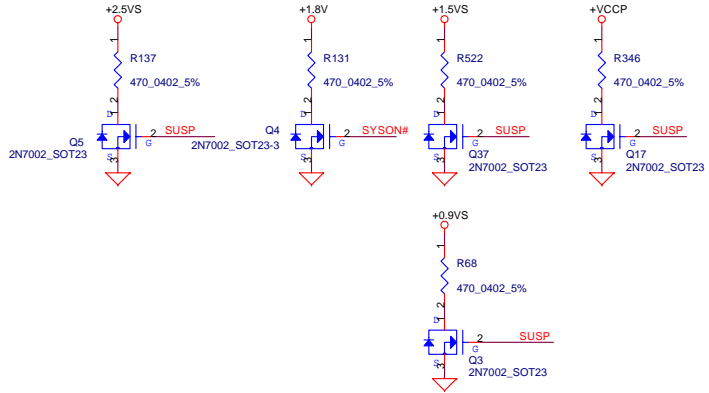
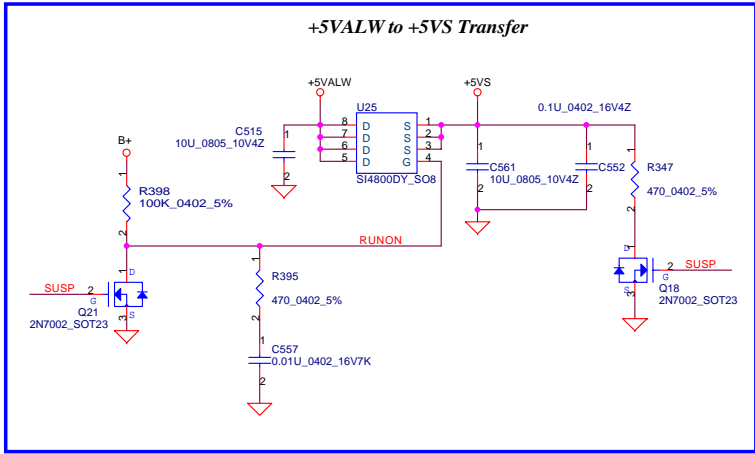
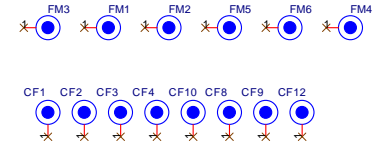
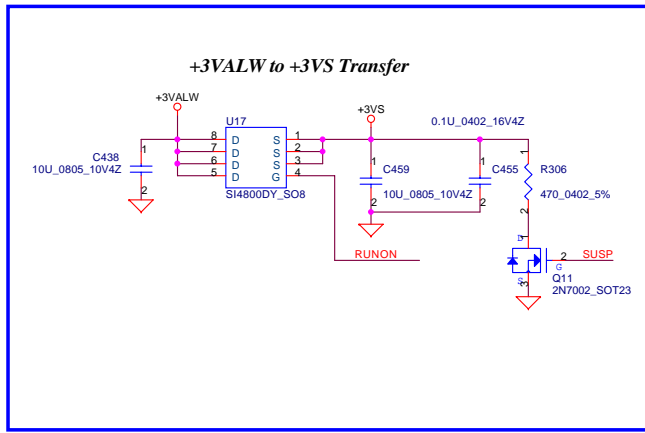
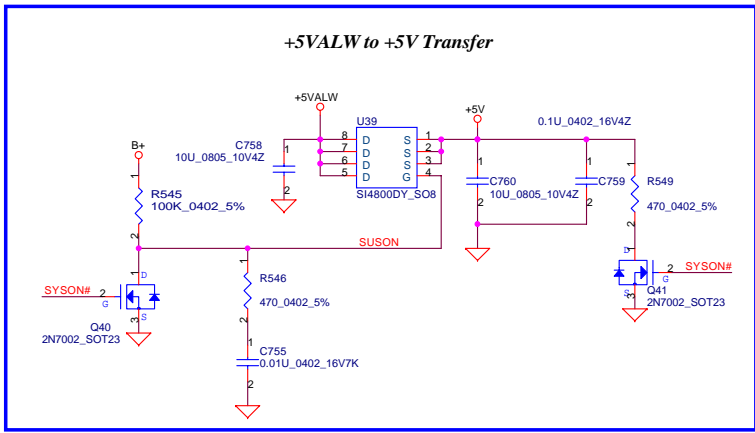
Compal Electronics, Inc.	
EC KB910L(LPC)	
Size	Document Number
Custom	LA-334IP
Date:	Tuesday, June 20, 2006
Sheet	31 of 40
Rev	0.2

THIS SHEET OF ENGINEERING DRAWING IS THE PROPRIETARY PROPERTY OF COMPAL ELECTRONICS, INC. AND CONTAINS CONFIDENTIAL AND TRADE SECRET INFORMATION. THIS SHEET MAY NOT BE TRANSFERRED FROM THE CUSTODY OF THE COMPETENT DIVISION OF R&D DEPARTMENT EXCEPT AS AUTHORIZED BY COMPAL ELECTRONICS, INC. NEITHER THIS SHEET NOR THE INFORMATION IT CONTAINS MAY BE USED BY OR DISCLOSED TO ANY THIRD PARTY WITHOUT PRIOR WRITTEN CONSENT OF COMPAL ELECTRONICS, INC.

<31> ADB[0..7]  ADB[0..7]
 <31> KBA[0..19]  KBA[0..19]



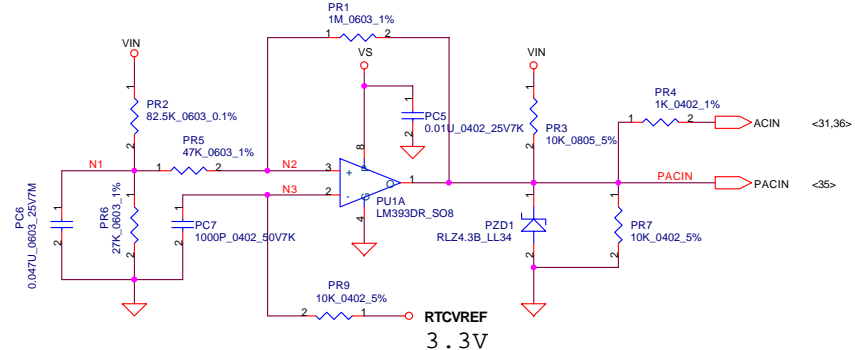
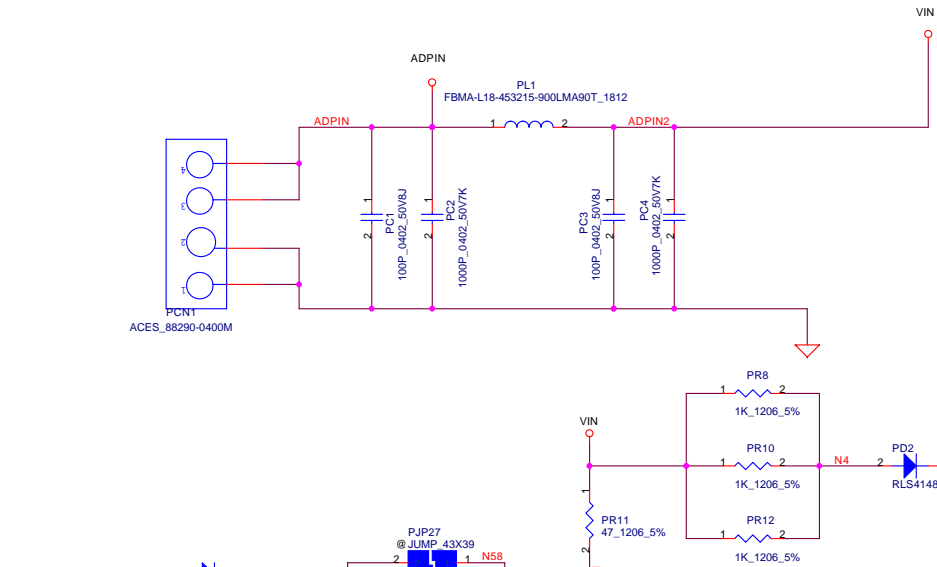
Security Classification	Compal Secret Data			Compal Electronics, Inc. BIOS & EC I/O Port	
Issued Date	2005/03/10	Deciphered Date	2006/03/10		
<small>THIS SHEET OF ENGINEERING DRAWING IS THE PROPRIETARY PROPERTY OF COMPAL ELECTRONICS, INC. AND CONTAINS CONFIDENTIAL AND TRADE SECRET INFORMATION. THIS SHEET MAY NOT BE TRANSFERRED FROM THE CUSTODY OF THE COMPETENT DIVISION OF R&D DEPARTMENT EXCEPT AS AUTHORIZED BY COMPAL ELECTRONICS, INC. NEITHER THIS SHEET NOR THE INFORMATION IT CONTAINS MAY BE USED BY OR DISCLOSED TO ANY THIRD PARTY WITHOUT PRIOR WRITTEN CONSENT OF COMPAL ELECTRONICS, INC.</small>				Size	Rev
				Custom	0.2
				Date:	Tuesday, June 20, 2006
				Sheet	32 of 40



Security Classification	Compal Secret Data		Compal Electronics, Inc.	
Issued Date	2005/03/10	Deciphered Date	2006/03/10	Title DC/DC Circuit
THIS SHEET OF ENGINEERING DRAWING IS THE PROPRIETARY PROPERTY OF COMPAL ELECTRONICS, INC. AND CONTAINS CONFIDENTIAL AND TRADE SECRET INFORMATION. THIS SHEET MAY NOT BE TRANSFERRED FROM THE CUSTODY OF THE COMPETENT DIVISION OF R&D DEPARTMENT EXCEPT AS AUTHORIZED BY COMPAL ELECTRONICS, INC. NEITHER THIS SHEET NOR THE INFORMATION IT CONTAINS MAY BE USED BY OR DISCLOSED TO ANY THIRD PARTY WITHOUT PRIOR WRITTEN CONSENT OF COMPAL ELECTRONICS, INC.				Size Customer LA-3341P
Date: Tuesday, June 20, 2006			Sheet 33 of 40	Rev 0.2

Vin Detector :

14.698	14.285	13.879
13.818	13.411	13.000



ACIN:

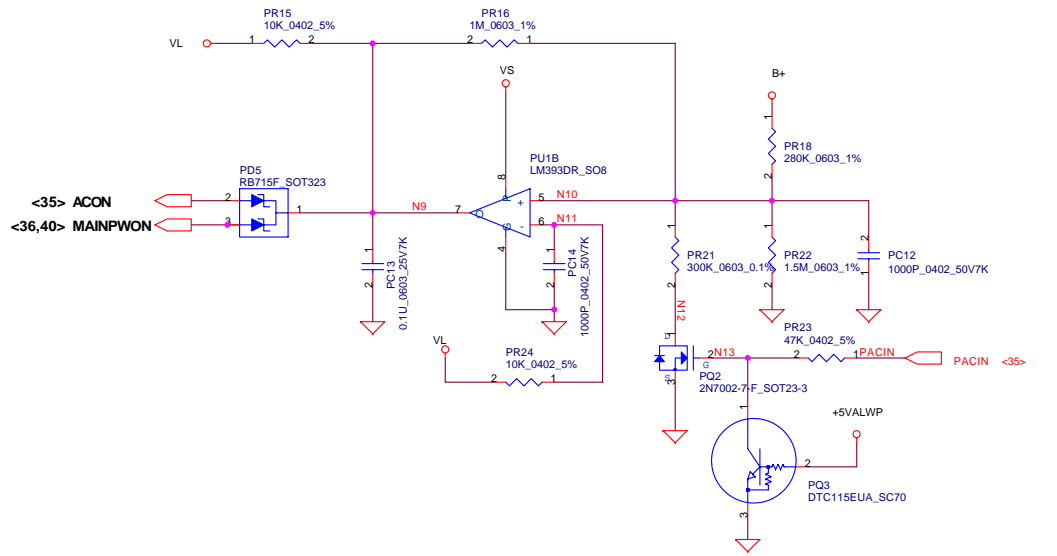
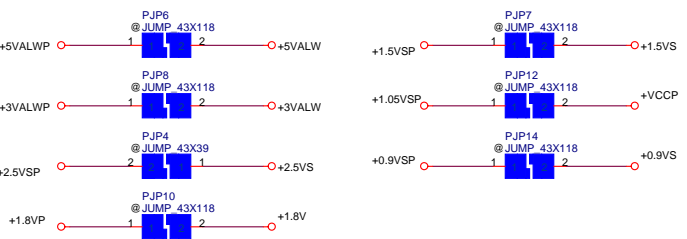
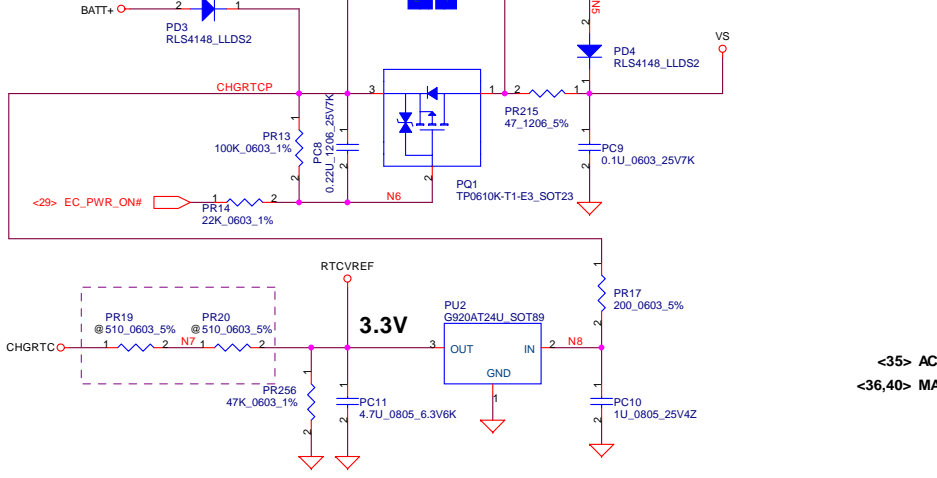
Precharge detector

12.384	12.000	11.624
10.927	10.600	10.223

BAT

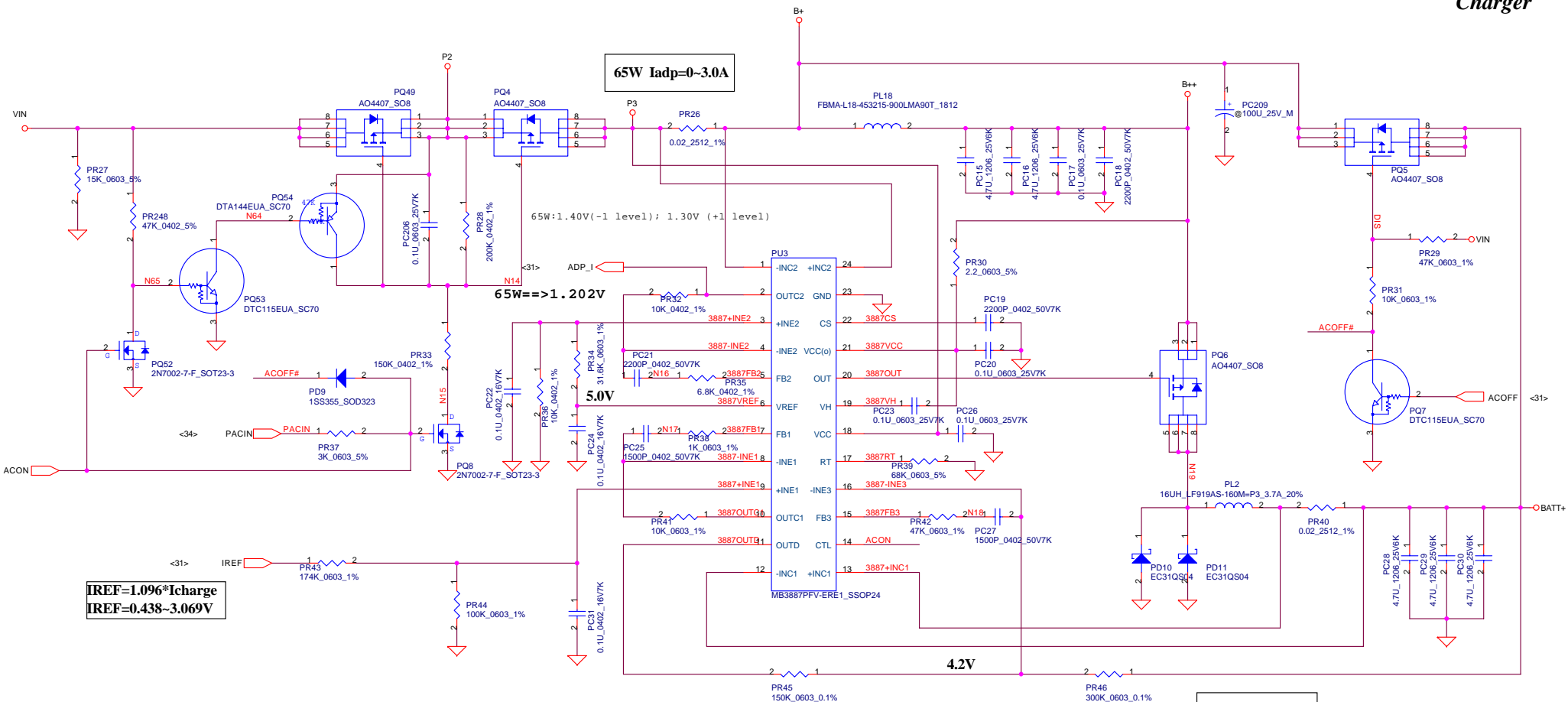
Precharge detector

7.558	7.333	7.112
6.108	5.933	5.704

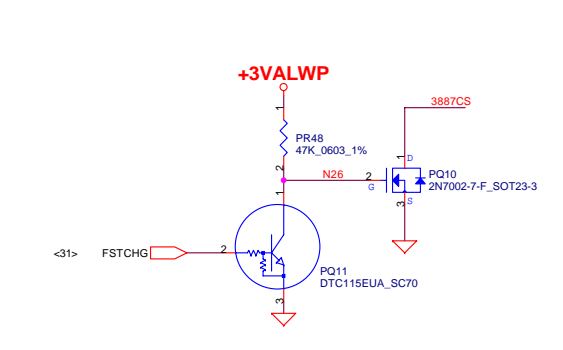
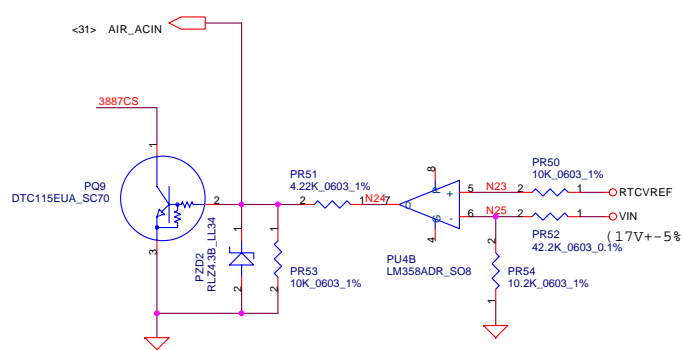
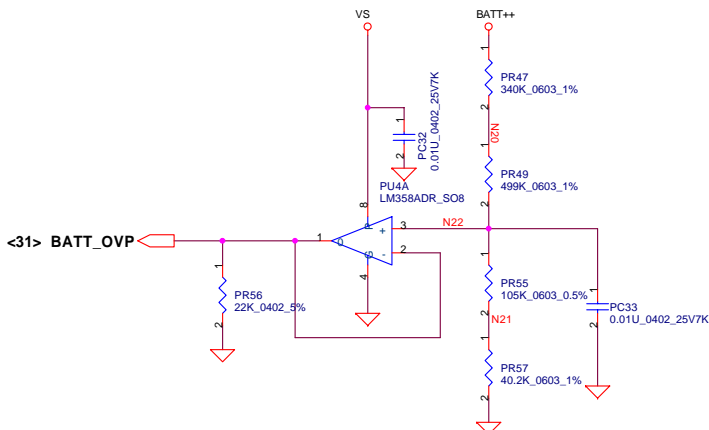


Security Classification	Compal Secret Data			Title	Dectector / Precharge	
Issued Date	2006/04/03	Deciphered Date	2007/04/03	Size	Document Number	Rev
THIS SHEET OF ENGINEERING DRAWING IS THE PROPRIETARY PROPERTY OF COMPAL ELECTRONICS, INC. AND CONTAINS CONFIDENTIAL AND TRADE SECRET INFORMATION. THIS SHEET MAY NOT BE TRANSFERRED FROM THE CUSTODY OF THE COMPETENT DIVISION OF R&D DEPARTMENT EXCEPT AS AUTHORIZED BY COMPAL ELECTRONICS, INC. NEITHER THIS SHEET NOR THE INFORMATION IT CONTAINS MAY BE USED BY OR DISCLOSED TO ANY THIRD PARTY WITHOUT PRIOR WRITTEN CONSENT OF COMPAL ELECTRONICS, INC.				Date:	Tuesday, June 20, 2006	Sheet 34 of 40

Charger

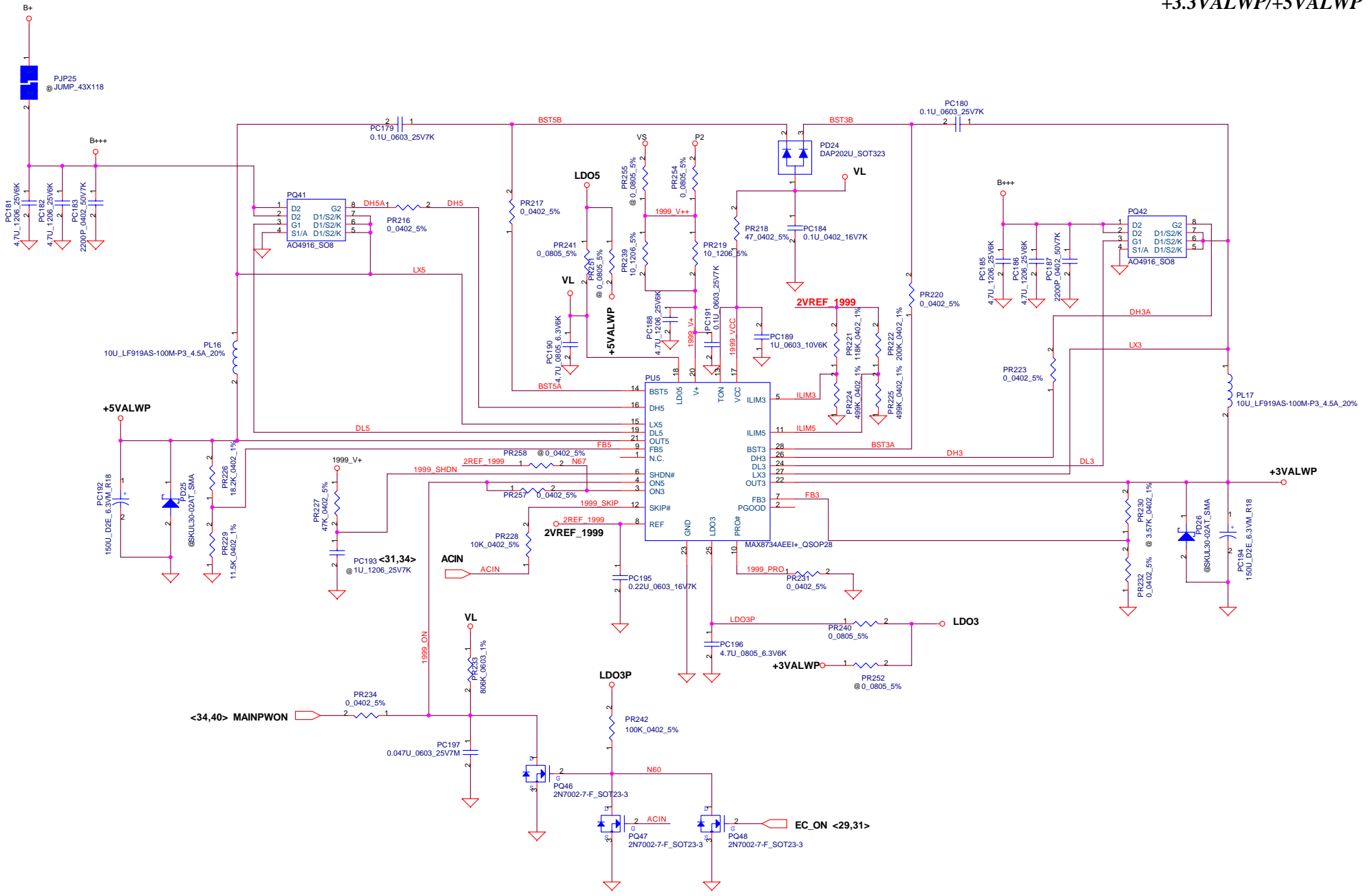


3S2P/3S4P : 13.5V--> BATT_OVP = 2.0V
(BAT_OVP=0.14753 *BATT+)



Security Classification	Compal Secret Data		Title
Issued Date	2006/04/03	Deciphered Date	2007/04/03
THIS SHEET OF ENGINEERING DRAWING IS THE PROPRIETARY PROPERTY OF COMPAL ELECTRONICS, INC. AND CONTAINS CONFIDENTIAL AND TRADE SECRET INFORMATION. THIS SHEET MAY NOT BE TRANSFERRED FROM THE CUSTODY OF THE COMPETENT DIVISION OF R&D DEPARTMENT EXCEPT AS AUTHORIZED BY COMPAL ELECTRONICS, INC. NEITHER THIS SHEET NOR THE INFORMATION IT CONTAINS MAY BE USED BY OR DISCLOSED TO ANY THIRD PARTY WITHOUT PRIOR WRITTEN CONSENT OF COMPAL ELECTRONICS, INC.			
Size	Document Number	Rev	0.2
Date:	Tuesday, June 20, 2006	Sheet	35 of 40

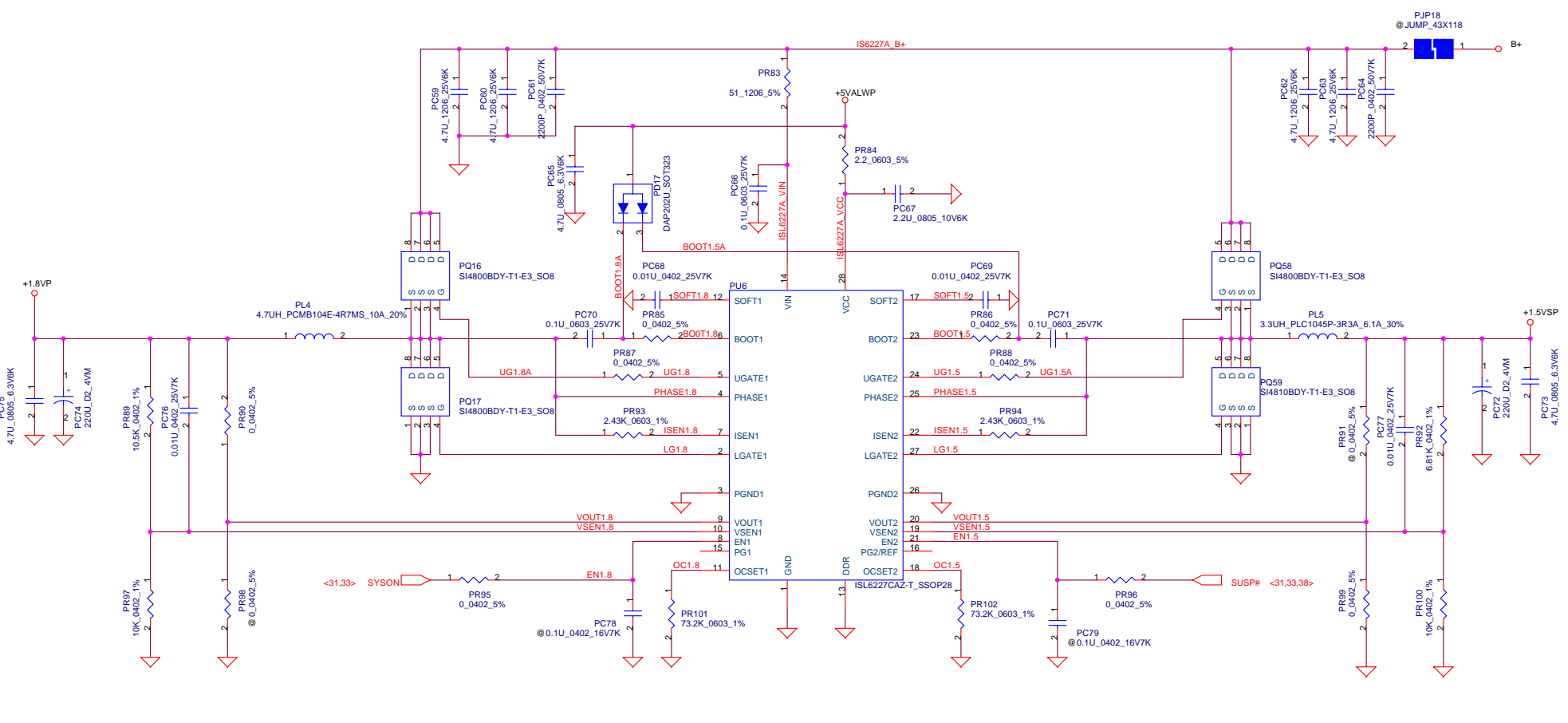
+3.3VALWP/+5VALWP



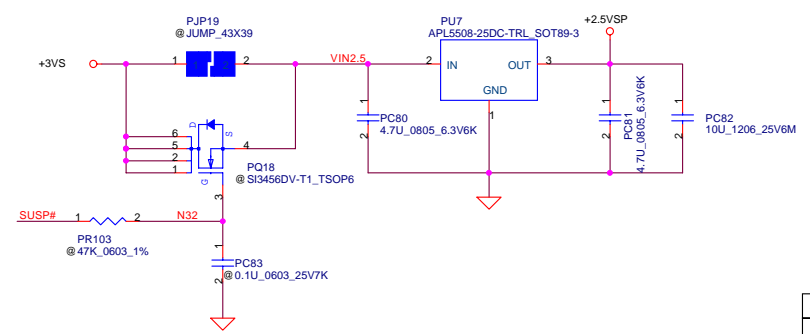
Security Classification	Compal Secret Data	
Issued Date	2006/04/03	Deciphered Date
		2007/04/03
THIS SHEET OF ENGINEERING DRAWING IS THE PROPRIETARY PROPERTY OF COMPAL ELECTRONICS, INC. AND CONTAINS CONFIDENTIAL AND TRADE SECRET INFORMATION. THIS SHEET MAY NOT BE TRANSFERRED FROM THE CUSTODY OF THE COMPETENT DIVISION OF R&D DEPARTMENT EXCEPT AS AUTHORIZED BY COMPAL ELECTRONICS, INC. NEITHER THIS SHEET NOR THE INFORMATION IT CONTAINS MAY BE USED BY OR DISCLOSED TO ANY THIRD PARTY WITHOUT PRIOR WRITTEN CONSENT OF COMPAL ELECTRONICS, INC.		

Title		
+ 3VALWP / + 5VALWP		
Size	Document Number	Rev
Custom		
Date:	Tuesday, June 20, 2006	Sheet 36 of 40

+2.5VSP/+1.8VP/+1.5VSP

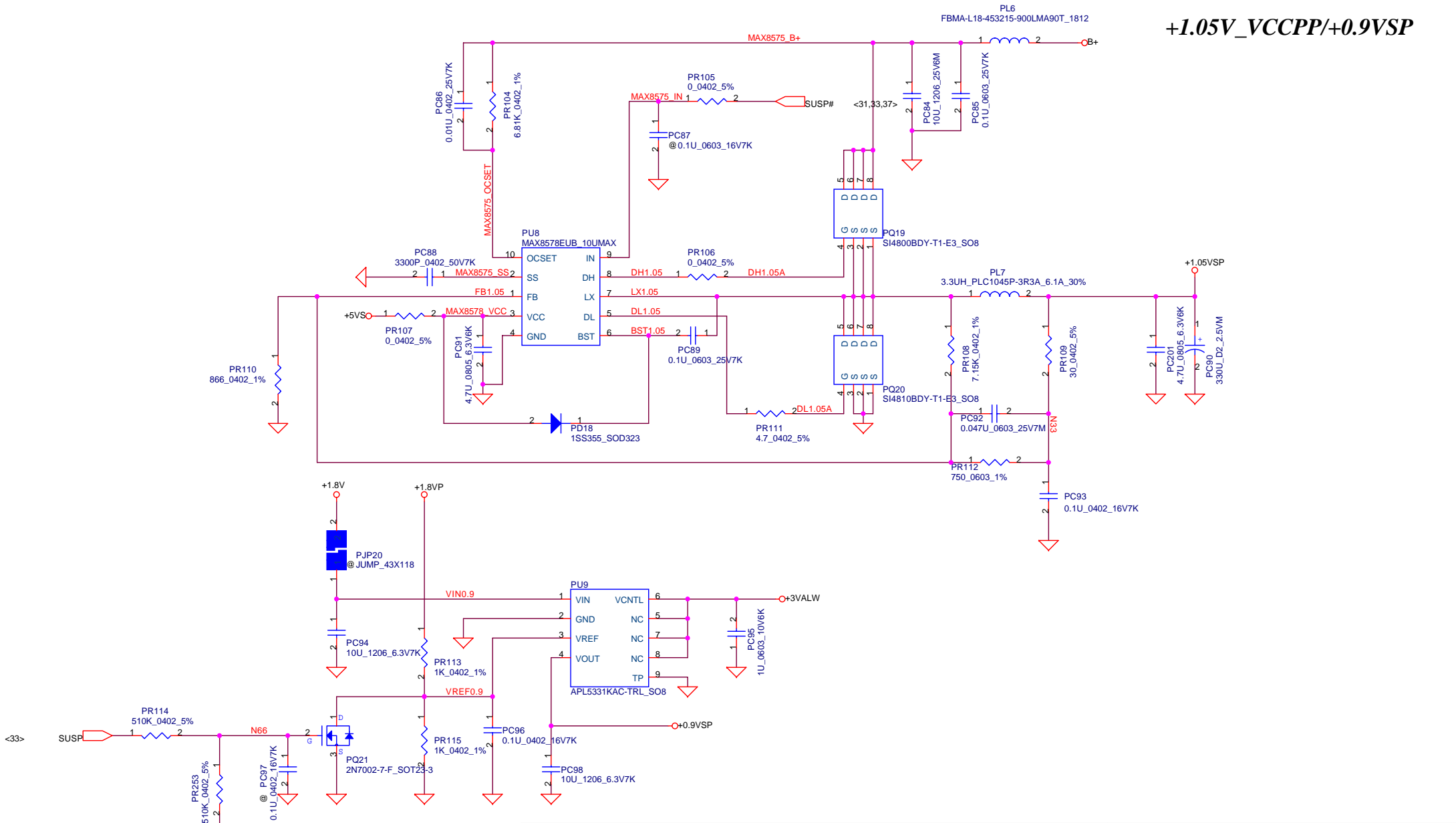


(400mA, 40mils, Via NO. = 1)

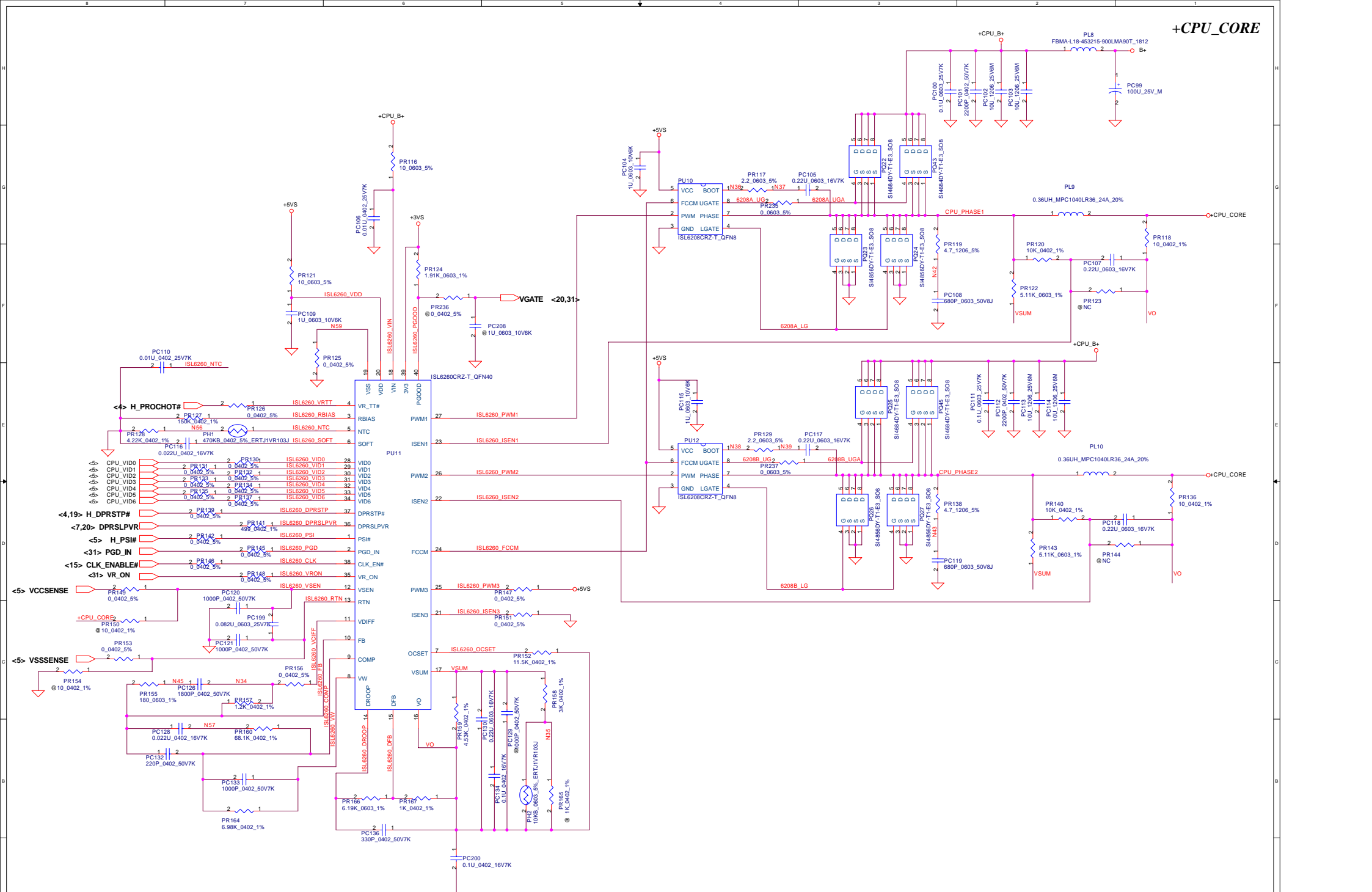


Security Classification	Compal Secret Data		Title
Issued Date	2006/04/03	Deciphered Date	2007/04/03
THIS SHEET OF ENGINEERING DRAWING IS THE PROPRIETARY PROPERTY OF COMPAL ELECTRONICS, INC. AND CONTAINS CONFIDENTIAL AND TRADE SECRET INFORMATION. THIS SHEET MAY NOT BE TRANSFERRED FROM THE CUSTODY OF THE COMPETENT DIVISION OF R&D DEPARTMENT EXCEPT AS AUTHORIZED BY COMPAL ELECTRONICS, INC. NEITHER THIS SHEET NOR THE INFORMATION IT CONTAINS MAY BE USED BY OR DISCLOSED TO ANY THIRD PARTY WITHOUT PRIOR WRITTEN CONSENT OF COMPAL ELECTRONICS, INC.			+2.5VSP/+1.8VP/+1.5VSP Size: [] Document Number: [] Rev: [] Date: Tuesday, June 20, 2006 Sheet 37 of 40

+1.05V_VCCPP/+0.9VSP

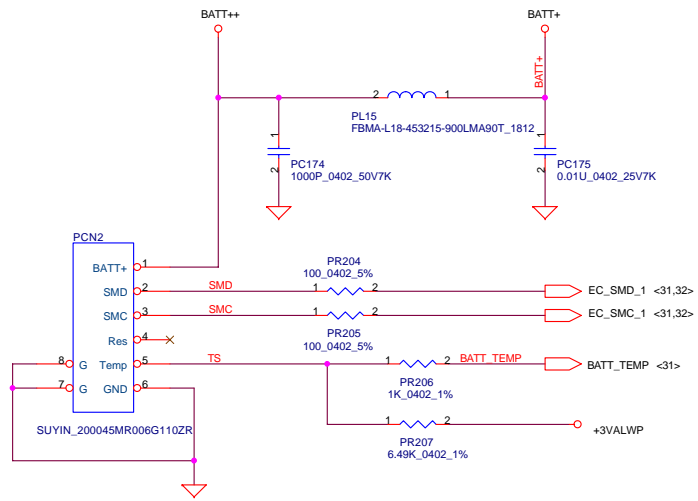


Security Classification	Compal Secret Data			Title
Issued Date	2006/04/03	Deciphered Date	2007/04/03	+1.05V_VCCPP/+0.9VSP
THIS SHEET OF ENGINEERING DRAWING IS THE PROPRIETARY PROPERTY OF COMPAL ELECTRONICS, INC. AND CONTAINS CONFIDENTIAL AND TRADE SECRET INFORMATION. THIS SHEET MAY NOT BE TRANSFERRED FROM THE CUSTODY OF THE COMPETENT DIVISION OF R&D DEPARTMENT EXCEPT AS AUTHORIZED BY COMPAL ELECTRONICS, INC. NEITHER THIS SHEET NOR THE INFORMATION IT CONTAINS MAY BE USED BY OR DISCLOSED TO ANY THIRD PARTY WITHOUT PRIOR WRITTEN CONSENT OF COMPAL ELECTRONICS, INC.				Size B
Date:	Tuesday, June 20, 2006	Sheet	38 of 40	Rev



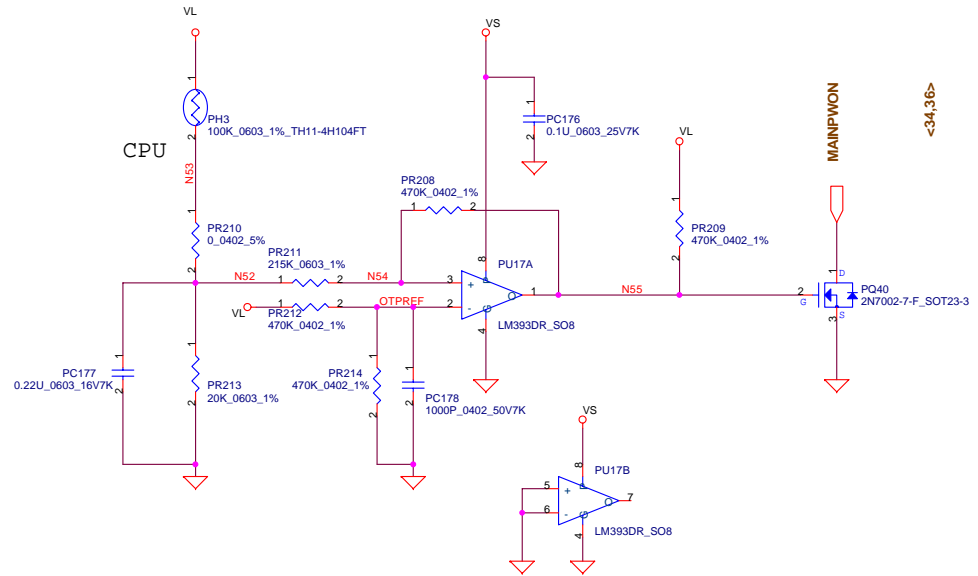
Security Classification	Compal Secret Data			Title	+CPU_CORE	
Issued Date	2006/04/03	Deciphered Date	2007/04/03	Size	Document Number	Rev
<small>THIS SHEET OF ENGINEERING DRAWINGS IS THE PROPRIETARY PROPERTY OF COMPAL ELECTRONICS, INC. AND CONTAINS CONFIDENTIAL AND TRADE SECRET INFORMATION. THIS SHEET MAY NOT BE TRANSFERRED FROM THE CUSTODY OF THE COMPETENT DIVISION OF R&D DEPARTMENT EXCEPT AS AUTHORIZED BY COMPAL ELECTRONICS, INC. NEITHER THIS SHEET NOR THE INFORMATION IT CONTAINS MAY BE USED BY OR DISCLOSED TO ANY THIRD PARTY WITHOUT PRIOR WRITTEN CONSENT OF COMPAL ELECTRONICS, INC.</small>						
Date:	Tuesday, June 20, 2006	Sheet	39	of	40	

Battery Connect/OTP



PJPB1 battery connector
SMART
Battery:
1.BATT+
2.SMBD
3.SMBC
4.Res
5.Temp
6.GND

PH1 under CPU botten side :
 CPU thermal protection at 90 +-3 degree C
 Recovery at 50 +-3 degree C



Security Classification		Compal Secret Data		Title	
Issued Date	2006/04/03	Deciphered Date	2007/04/03	Battery Connect/OTP	
THIS SHEET OF ENGINEERING DRAWING IS THE PROPRIETARY PROPERTY OF COMPAL ELECTRONICS, INC. AND CONTAINS CONFIDENTIAL AND TRADE SECRET INFORMATION. THIS SHEET MAY NOT BE TRANSFERRED FROM THE CUSTODY OF THE COMPETENT DIVISION OF R&D DEPARTMENT EXCEPT AS AUTHORIZED BY COMPAL ELECTRONICS, INC. NEITHER THIS SHEET NOR THE INFORMATION IT CONTAINS MAY BE USED BY OR DISCLOSED TO ANY THIRD PARTY WITHOUT PRIOR WRITTEN CONSENT OF COMPAL ELECTRONICS, INC.				Size	Document Number
				Date:	Tuesday, June 20, 2006
				Sheet	40 of 40