

VULCAIN UMA SI Build FINAL

2008.12.26

DATE	CHANGE NO.	REV

DRAWER	EE	DATE	POWER	DATE	INVENTEC			
DESIGN								
CHECK								
RESPONSIBLE								
TITLE					VV UMA SATA			
SIZE =	3	VER :						
FILE NAME :	XXXX-XXXXXX-XX				SIZE	CODE	DOC. NUMBER	REV
P/N	XXXXXXXXXXXX				D	CS	1310A22163-0-MTR	A01
					SHEET	1	OF	50

TABLE OF CONTENTS

PAGE

5- DC& BATTERY CHARGER
 6- SELECT & BATTERY CONN
 7- SYSTEM POWER(3V/5V)
 8- SYSTEM POWER(+V1.8/+V1.25S)
 9- SYSTEM POWER(+VGFX/+VCCP)
 10- SYSTEM POWER(+V1.5S)
 11- CPU POWER(VCC_CORE)
 12- DDR TERMINATION VOLTAGE
 13- POWER(SLEEP)
 14- POWER(SEQUENCE)

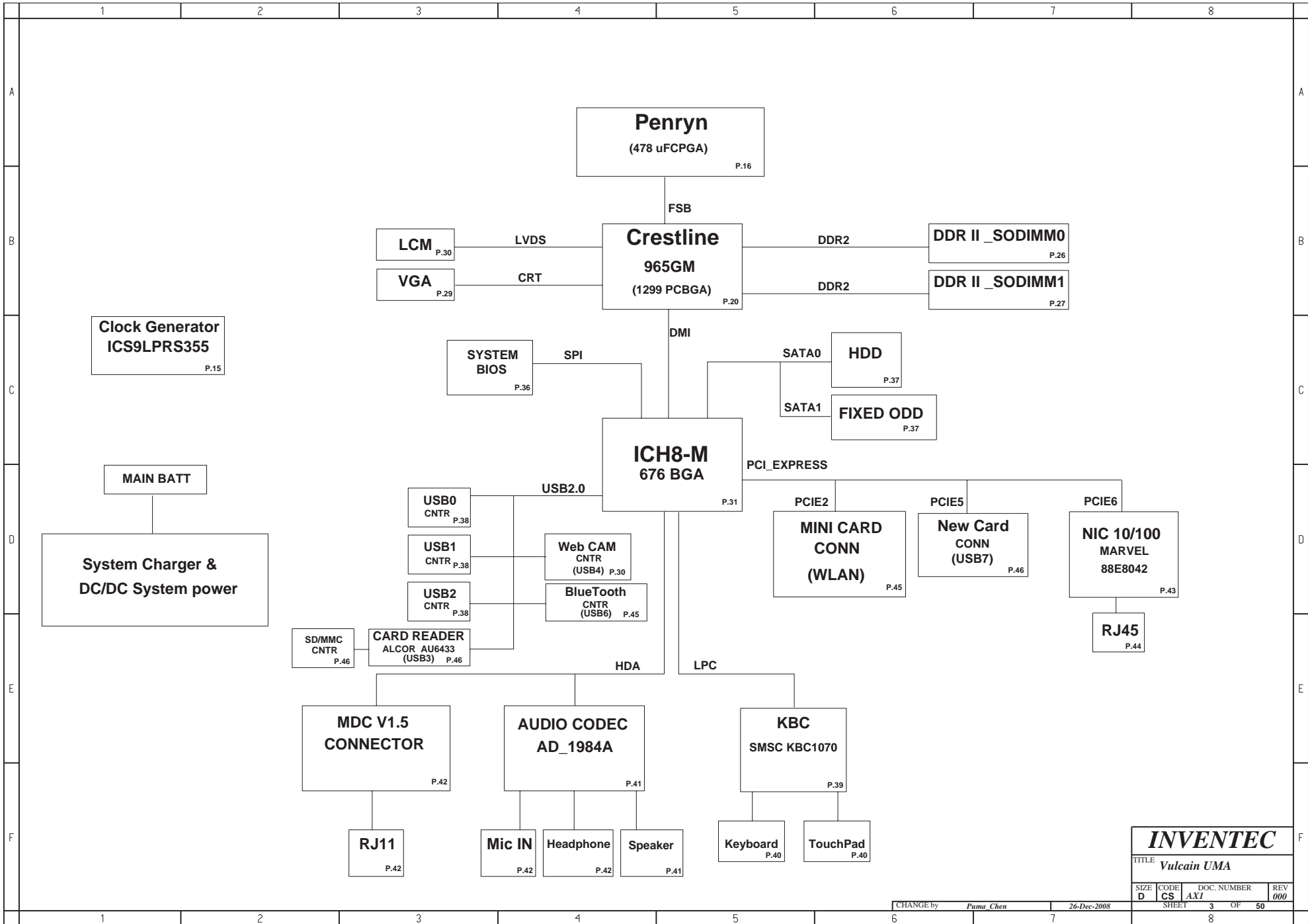
PAGE

15- CLOCK_GENERATOR
 16- PENRYN-1
 17- PENRYN-2
 18- PENRYN-3
 19- THERMAL&FAN CONTROLLER
 20- Crestline-1
 21- Crestline-2
 22- Crestline-3
 23- Crestline-4
 24- Crestline-5
 25- Crestline-6
 26- DDR2-DIMM0
 27- DDR2-DIMM1
 28- DDR2-DAMPING
 29- VGA CONN
 30- LCM CONN
 31- ICH8-1
 32- ICH8-2
 33- ICH8-3
 34- ICH8-4
 35- ICH8-5

PAGE

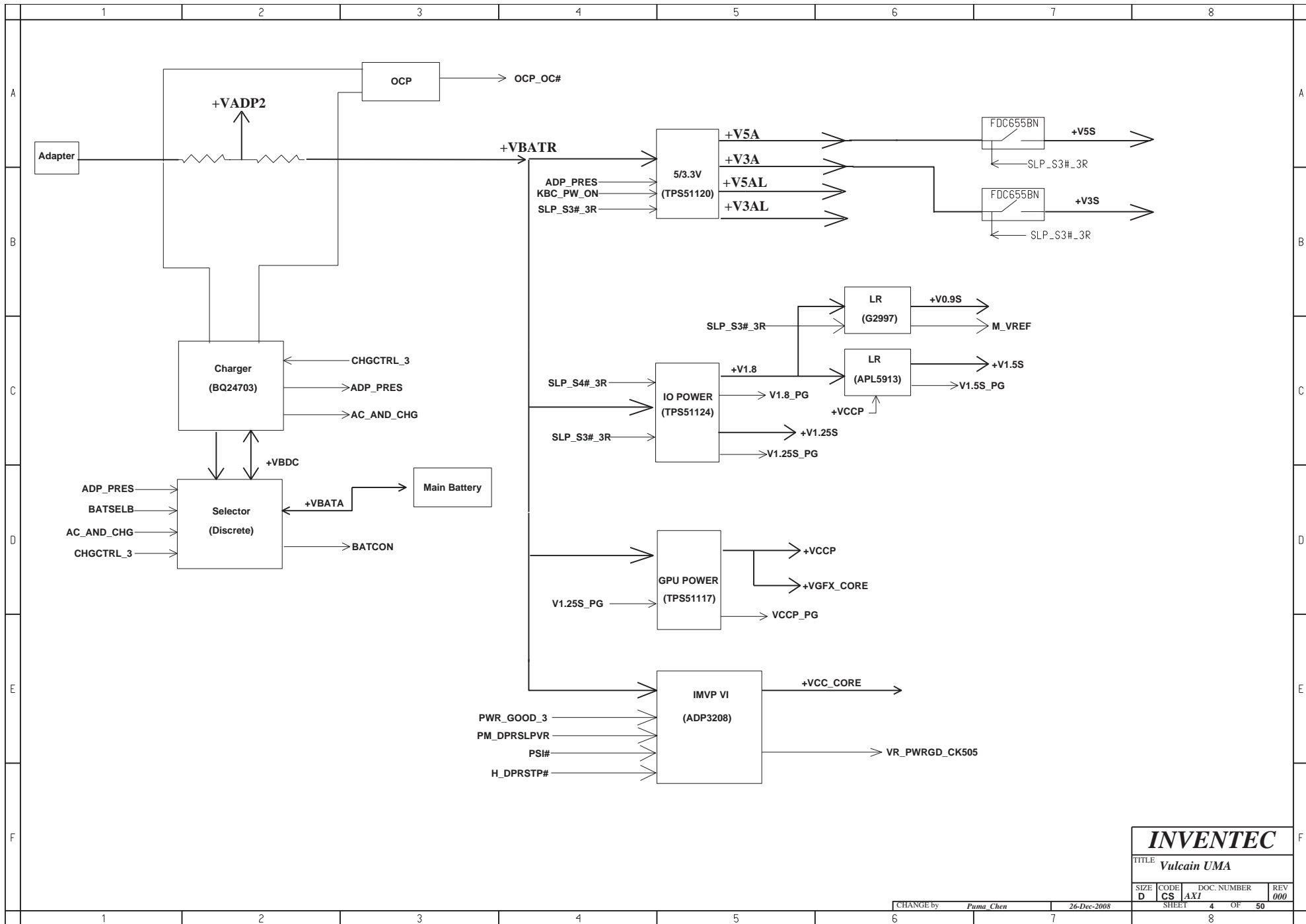
36- SYSTEM BIOS
 37- HDD&ODD CONN
 38- USB CONN
 39- KBC
 40- KB&TP CONN
 41- AUDIO CODEC
 42- MDC CONN & AUDIO JACK
 43- NIC 10/100- CONTROLLER
 44- NIC 10/100- RJ45 CONN
 45- MINICARD & BT CONN
 46- NEW CARD & SD/MMC
 47- LED & BUTTON&LID SWITCH
 48- SCREW HOLE
 49- SWITCH Board
 50- ODD Extend Board

INVENTEC			
TITLE <i>Vulcain UMA</i>			
SIZE	CODE	DOC. NUMBER	REV
D	CS	AXI	000
CHANGE by <i>Pama Chen</i>		26-Dec-2008	
SHEET		2	OF 50
		8	

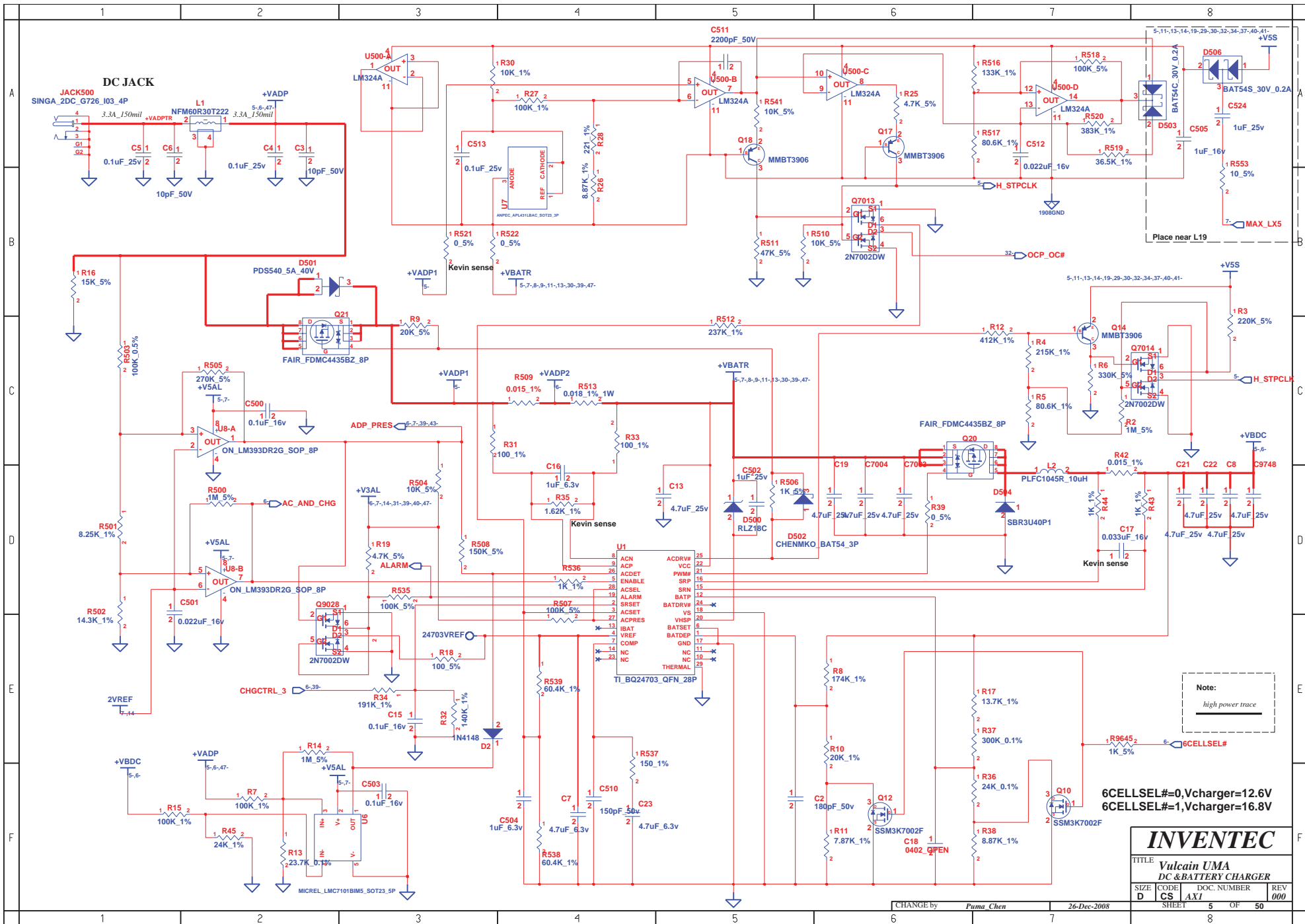


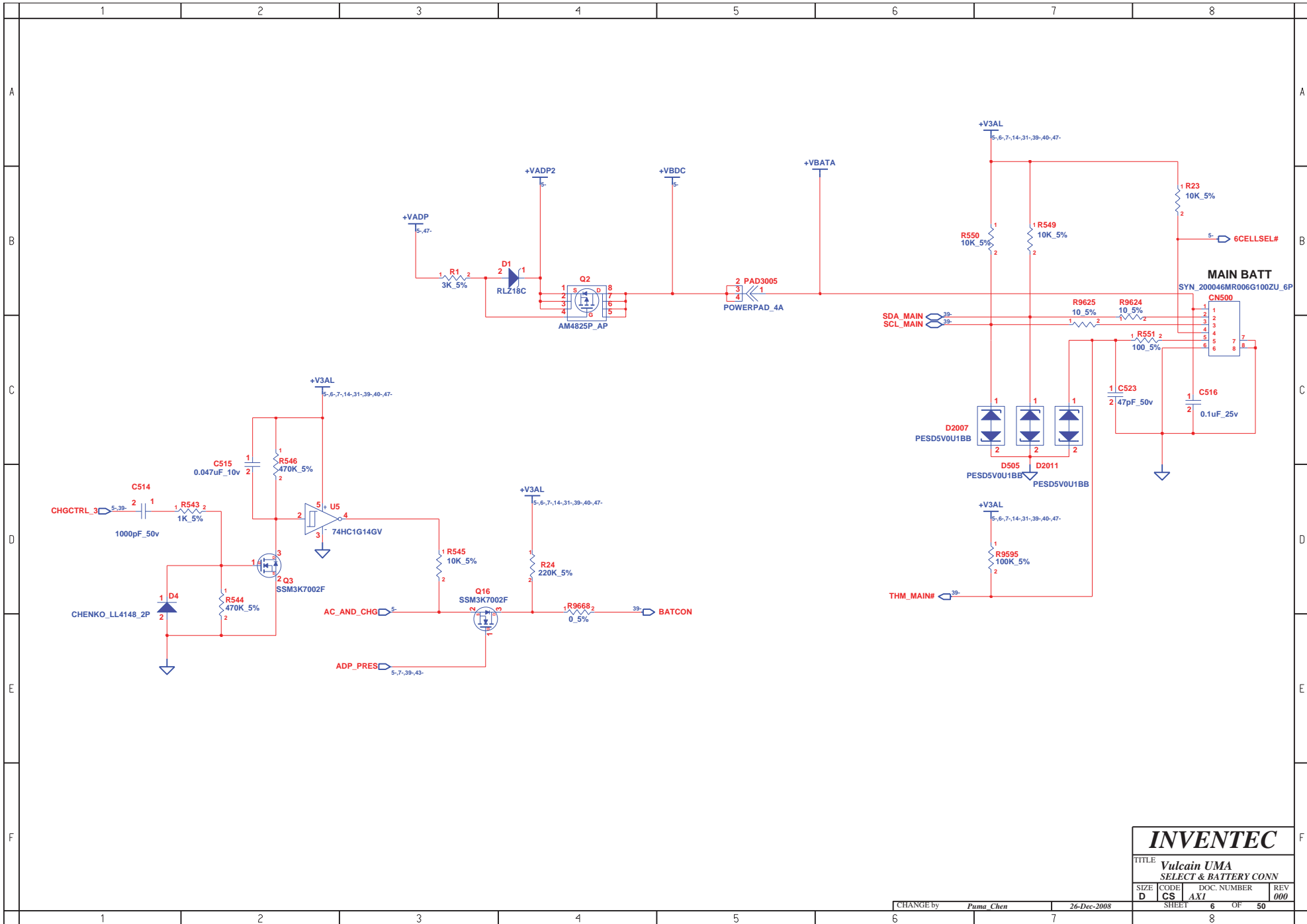
INVENTEC			
TITLE Vulcain UMA			
SIZE D	CODE CS	DOC. NUMBER AX1	REV 000
SHEET		3	OF 50

CHANGE by *Pama Chen* 26-Dec-2008

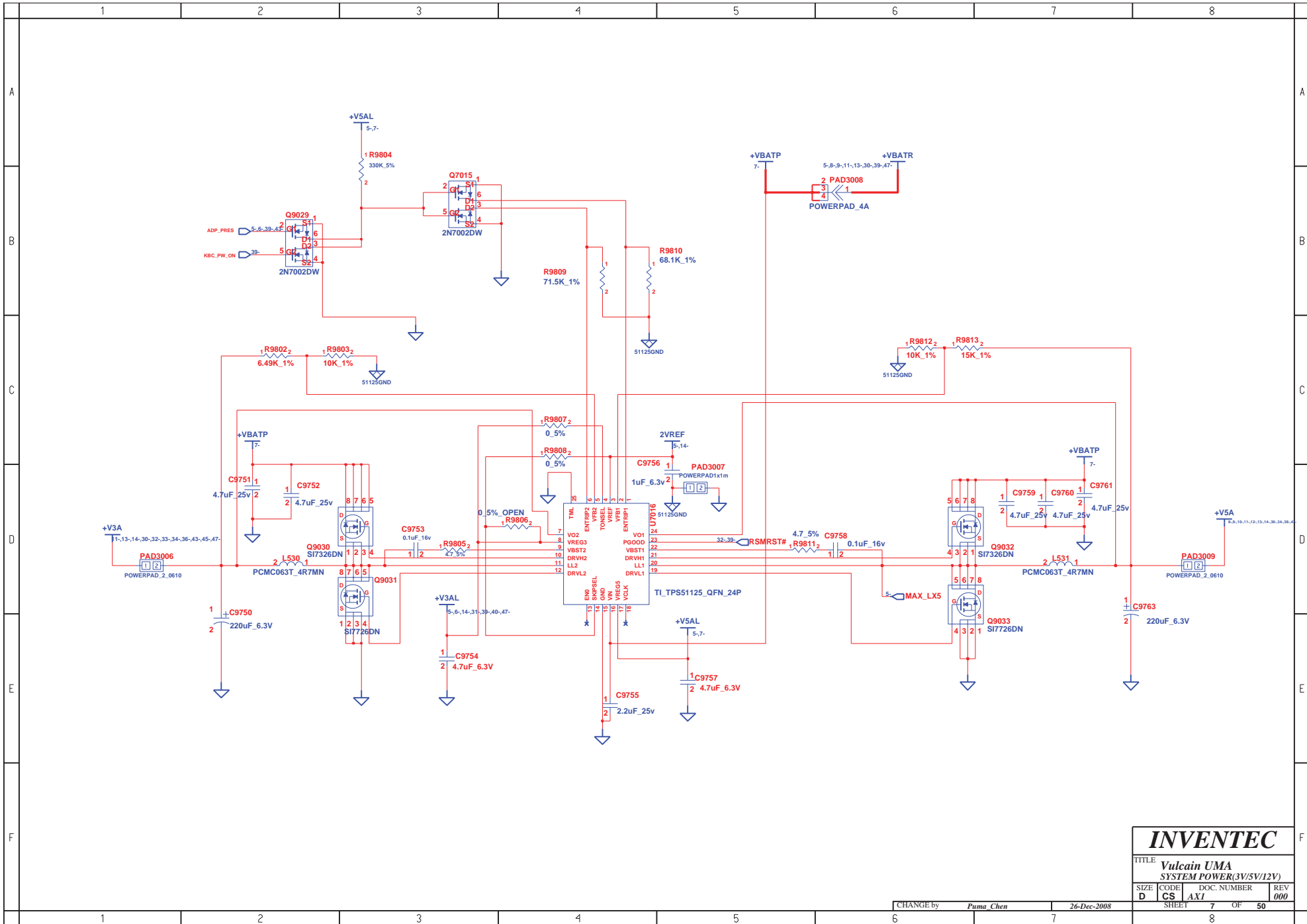


INVENTEC			
TITLE Vulcain UMA			
SIZE D	CODE CS	DOC. NUMBER AXI	REV 000
CHANGE by <i>Pama Chen</i>		26-Dec-2008	
SHEET		4 OF 50	
1		8	



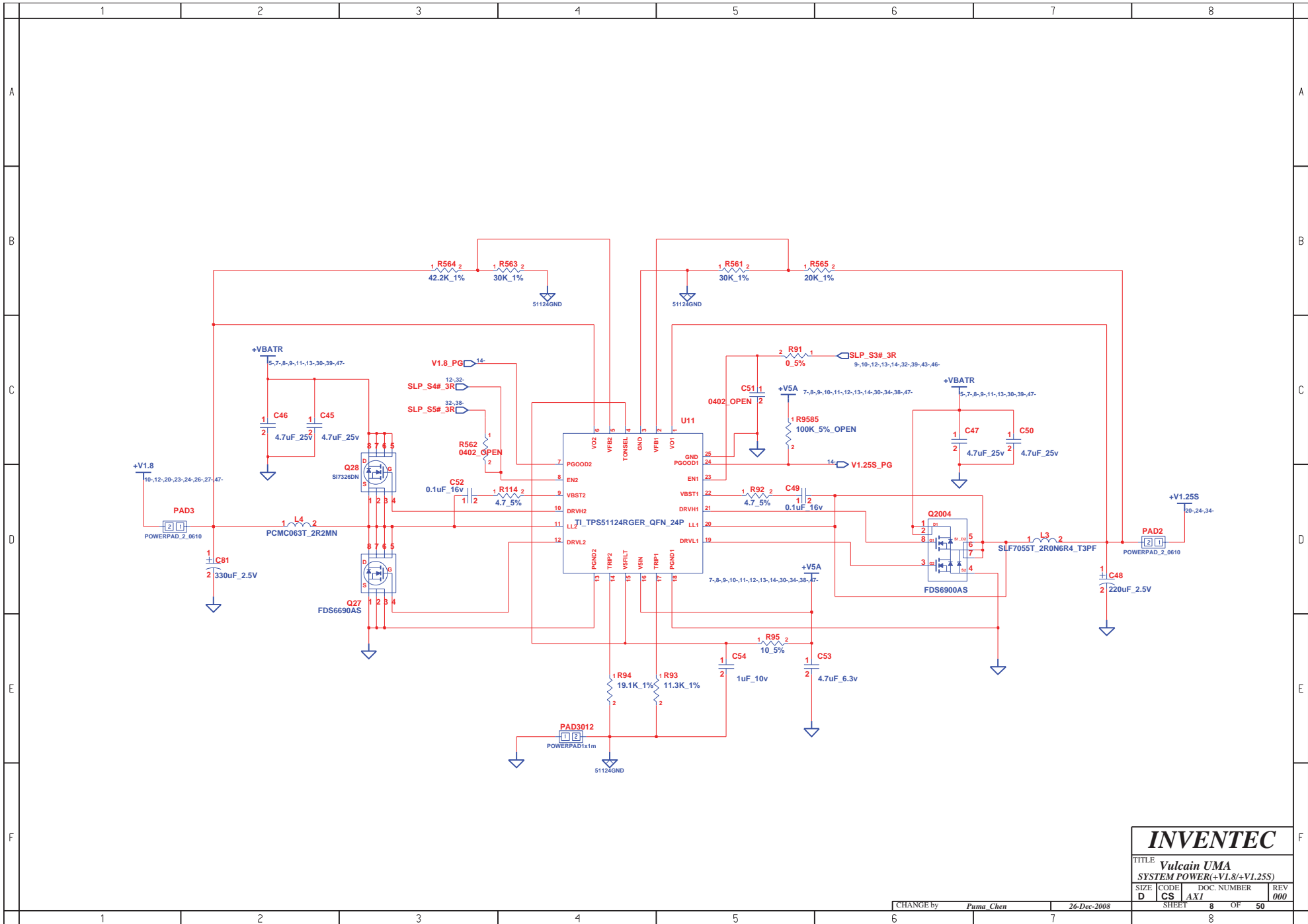


INVENTEC			
TITLE: Vulcain UMA			
SELECT & BATTERY CONN			
SIZE	CODE	DOC. NUMBER	REV
D	CS	AXI	000
CHANGE by <i>Puma Chen</i>		26-Dec-2008	
SHEET		8 OF 50	

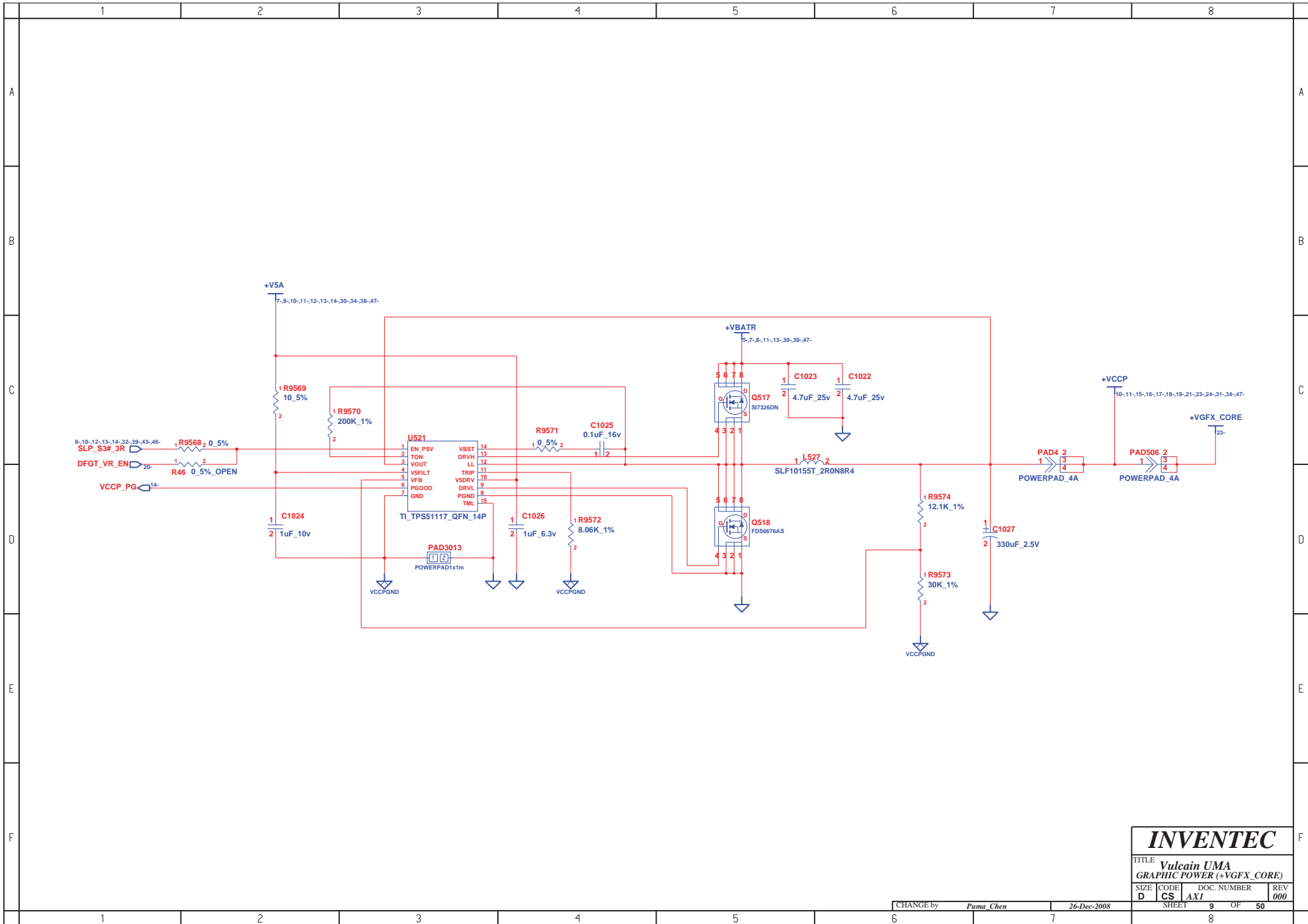


INVENTEC			
TITLE Vulcain UMA SYSTEM POWER(3V/5V/12V)			
SIZE D	CODE CS	DOC. NUMBER AXI	REV 000
CHANGE by <i>Pama Chen</i>		26-Dec-2008	SHEET 7 OF 50

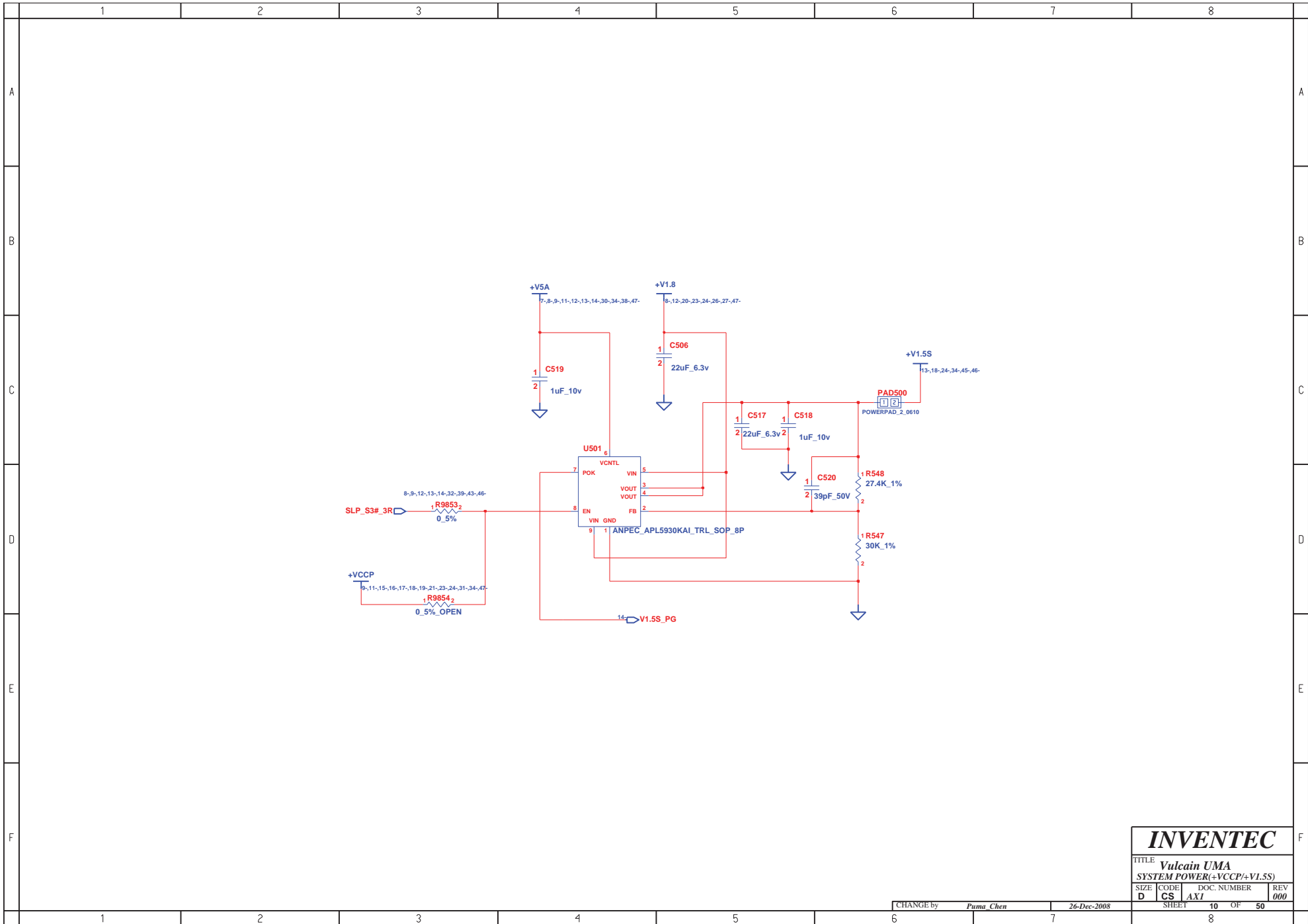
<http://laptop-motherboard-schematic.blogspot.com/>



INVENTEC			
TITLE Vulcain UMA			
SYSTEM POWER(+V1.8/+V1.25S)			
SIZE	CODE	DOC. NUMBER	REV
D	CS	AXI	000
CHANGE by <i>Pama Chen</i>		26-Dec-2008	
SHEET		8	OF 50



INVENTEC			
TITLE Vulcain UMA			
GRAPHIC POWER (+VGFX_CORE)			
SIZE	CODE	DOC. NUMBER	REV
D	CS	AXI	000
CHANGE by <i>Puma Chen</i> 26-Dec-2008			SHEET 9 OF 50
			8



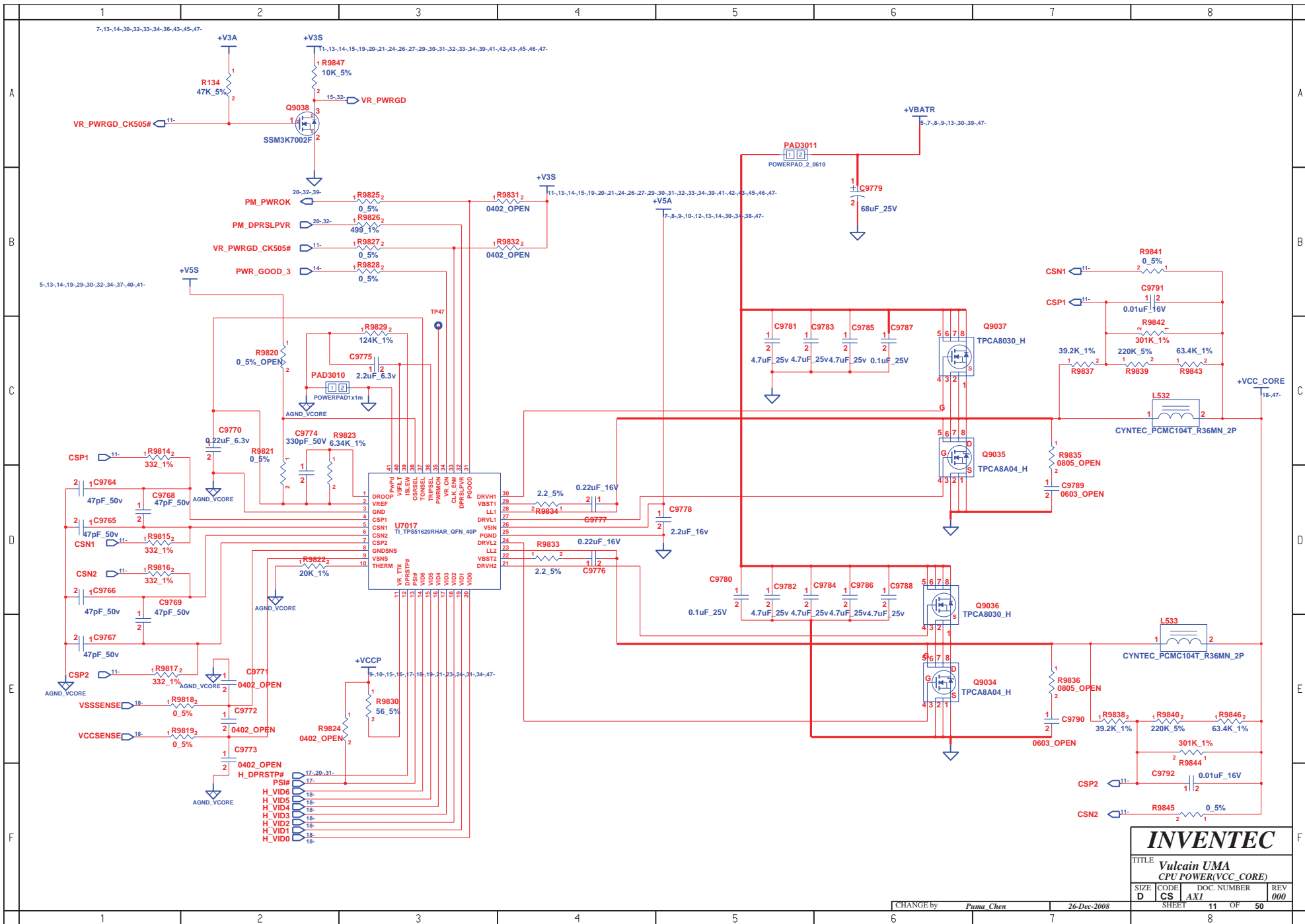
INVENTEC

TITLE **Vulcain UMA**
 SYSTEM POWER(+VCCP/+V1.5S)

SIZE D	CODE CS	DOC. NUMBER AXI	REV 000
-----------	------------	--------------------	------------

CHANGE by Pama Chen 26-Dec-2008

SHEET 10 OF 50



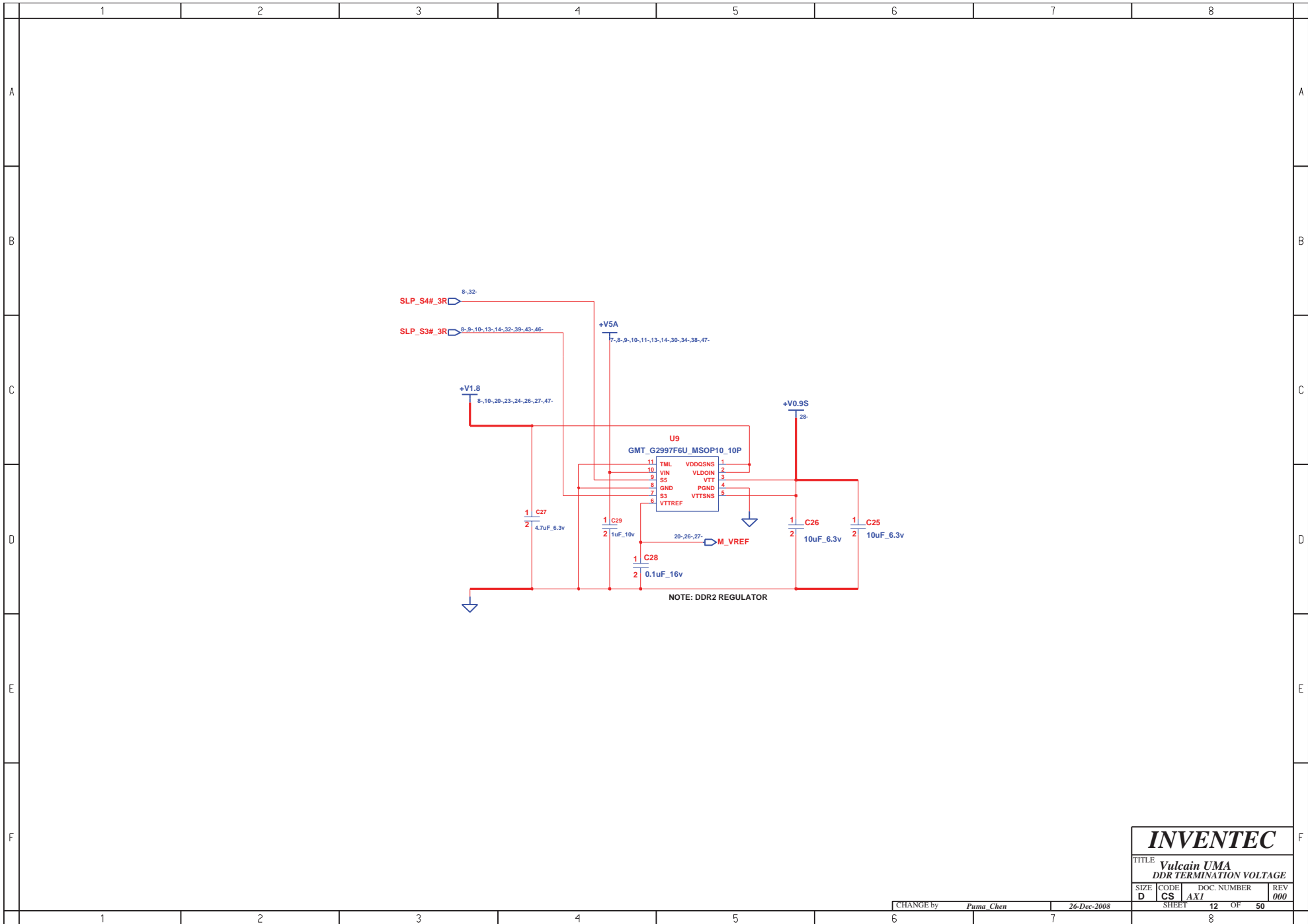
INVENTEC

TITLE: Vulcain UMA
CPU POWER(VCC_CORE)

SIZE	CODE	DOC. NUMBER	REV
D	CS	AXI	000

CHANGE by	Pama Chen	26-Dec-2008
-----------	-----------	-------------

SHEET	11	OF	50
-------	----	----	----



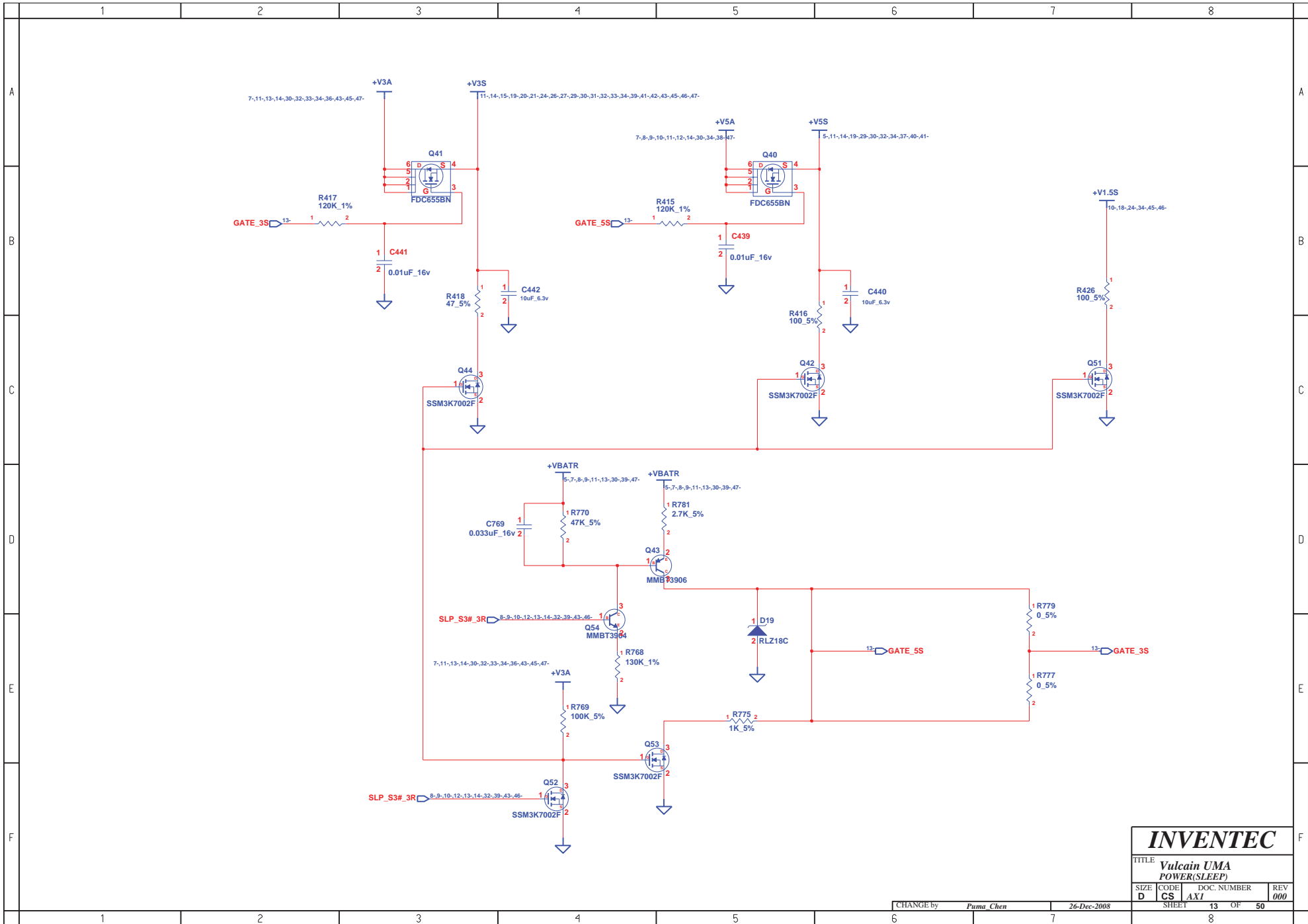
INVENTEC

TITLE **Vulcain UMA
DDR TERMINATION VOLTAGE**

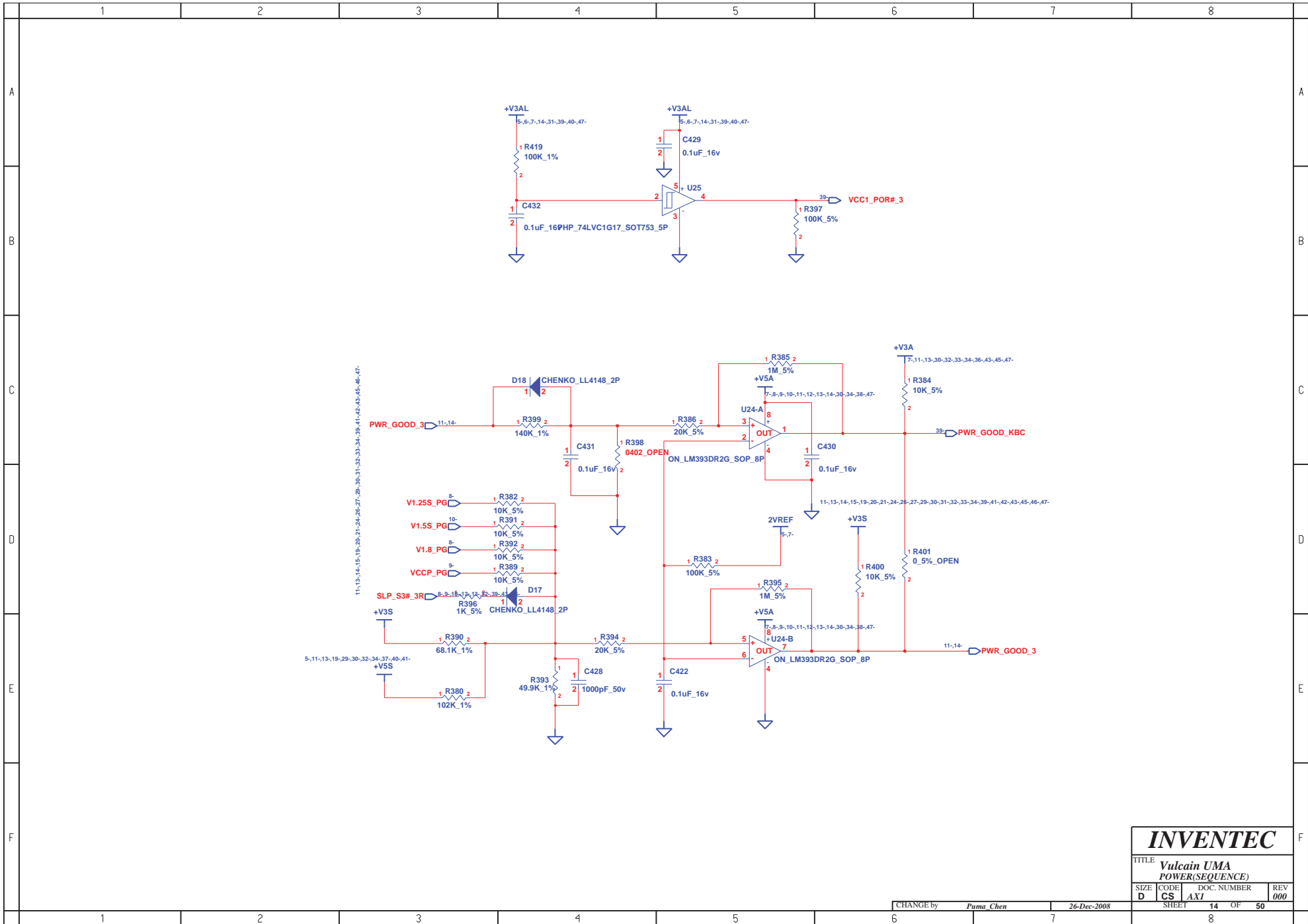
SIZE D	CODE CS	DOC. NUMBER AXI	REV 000
------------------	-------------------	---------------------------	-------------------

CHANGE by *Pama Chen* 26-Dec-2008

SHEET 12 OF 50



INVENTEC			
TITLE Vulcain UMA POWER(SLEEP)			
SIZE D	CODE CS	DOC. NUMBER AXI	REV 000
CHANGE by Pama Chen		26-Dec-2008	
SHEET		13 OF 50	



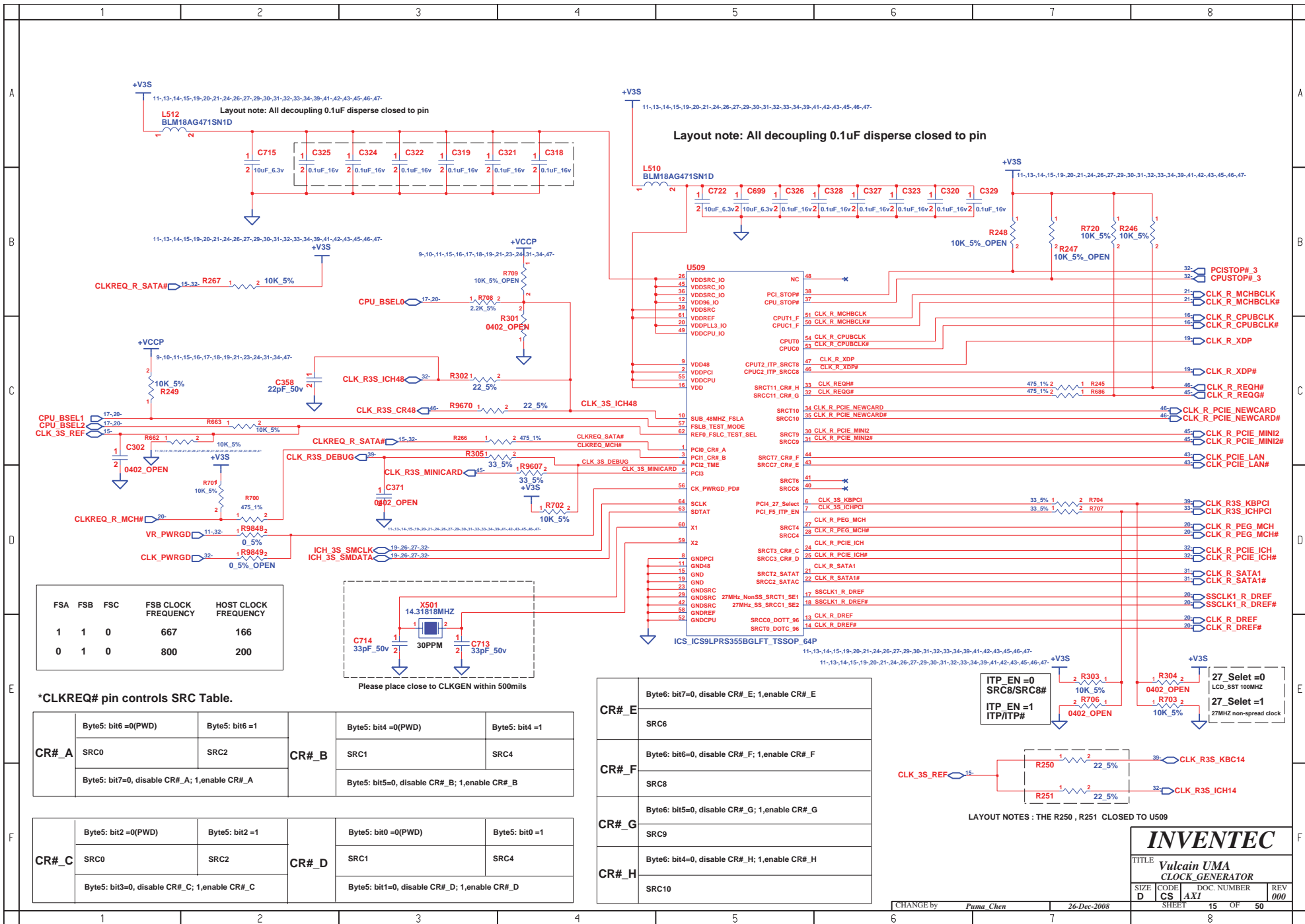
INVENTEC

TITLE
**Vulcain UMA
 POWER(SEQUENCE)**

SIZE D	CODE CS	DOC. NUMBER AXI	REV 000
-----------	------------	--------------------	------------

CHANGE by *Pama Chen* 26-Dec-2008

SHEET 14 OF 50



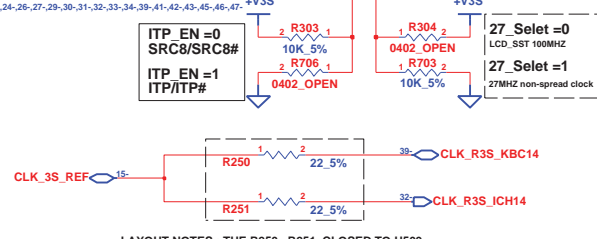
FSA	FSB	FSC	FSB CLOCK FREQUENCY	HOST CLOCK FREQUENCY
1	1	0	667	166
0	1	0	800	200

*CLKREQ# pin controls SRC Table.

CR#_A	Byte5: bit6 =0(PWD)		Byte5: bit6 =1		CR#_B	Byte5: bit4 =0(PWD)		Byte5: bit4 =1	
	SRC0	SRC2	SRC1	SRC4		Byte5: bit5=0, disable CR#_B; 1,enable CR#_B			
Byte5: bit7=0, disable CR#_A; 1,enable CR#_A									

CR#_C	Byte5: bit2 =0(PWD)		Byte5: bit2 =1		CR#_D	Byte5: bit0 =0(PWD)		Byte5: bit0 =1	
	SRC0	SRC2	SRC1	SRC4		Byte5: bit1=0, disable CR#_D; 1,enable CR#_D			
Byte5: bit3=0, disable CR#_C; 1,enable CR#_C									

CR#_E	Byte6: bit7=0, disable CR#_E; 1,enable CR#_E
SRC6	
CR#_F	Byte6: bit6=0, disable CR#_F; 1,enable CR#_F
SRC8	
CR#_G	Byte6: bit5=0, disable CR#_G; 1,enable CR#_G
SRC9	
CR#_H	Byte6: bit4=0, disable CR#_H; 1,enable CR#_H
SRC10	



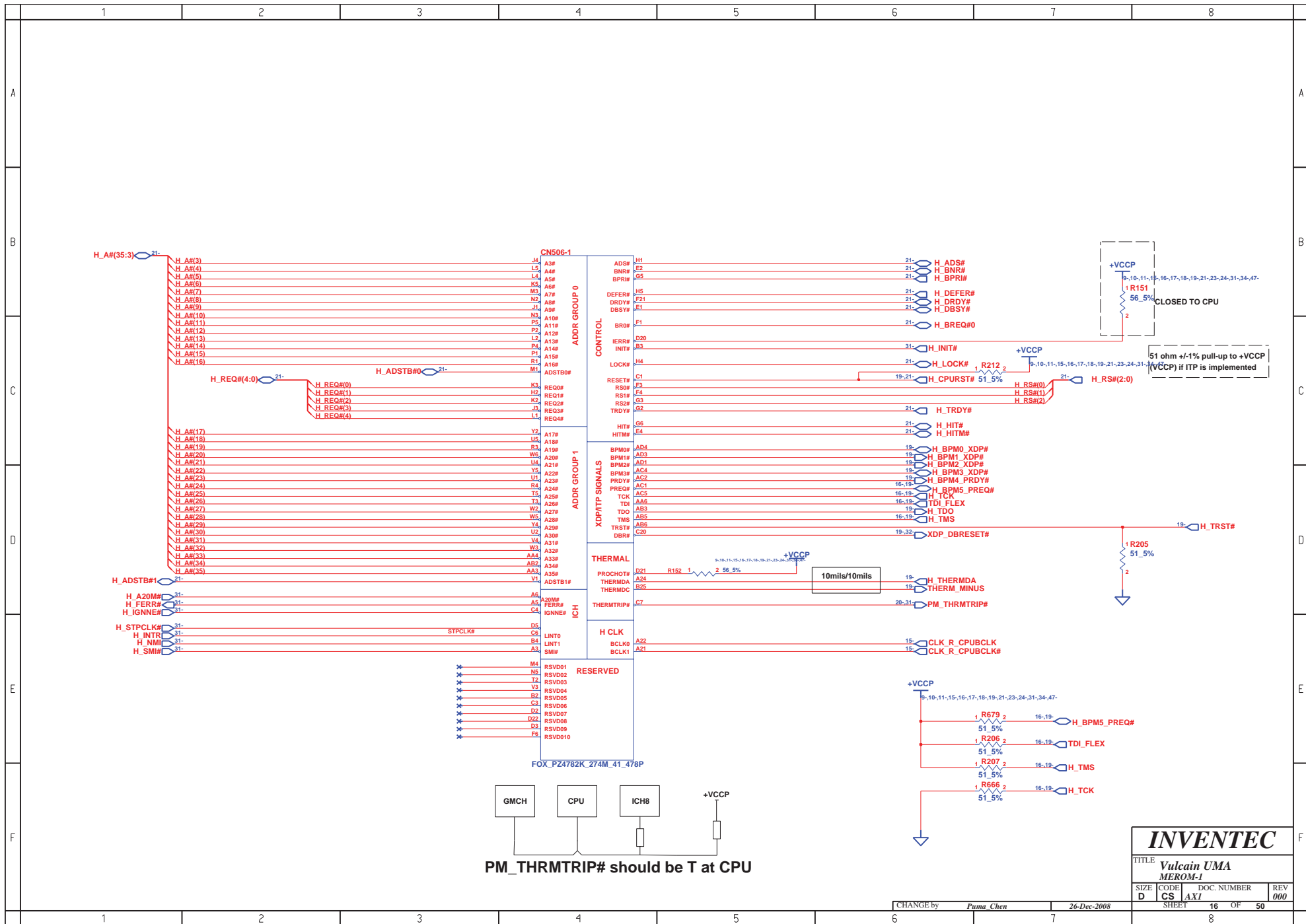
LAYOUT NOTES : THE R250 , R251 CLOSED TO U509

INVENTEC

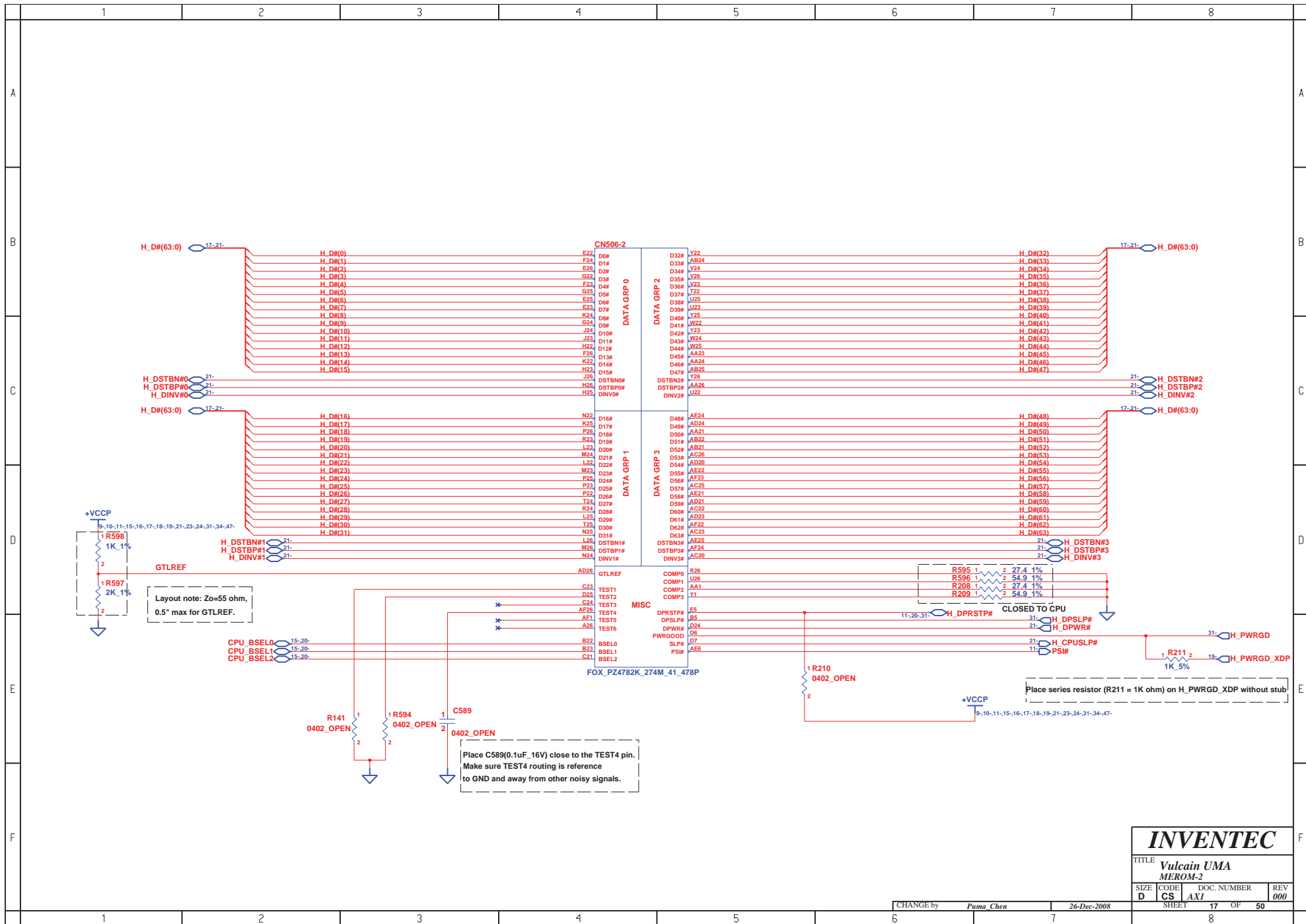
TITLE: **Vulcain UMA**
CLOCK GENERATOR

SIZE	CODE	DOC. NUMBER	REV
D	CS	AXI	000

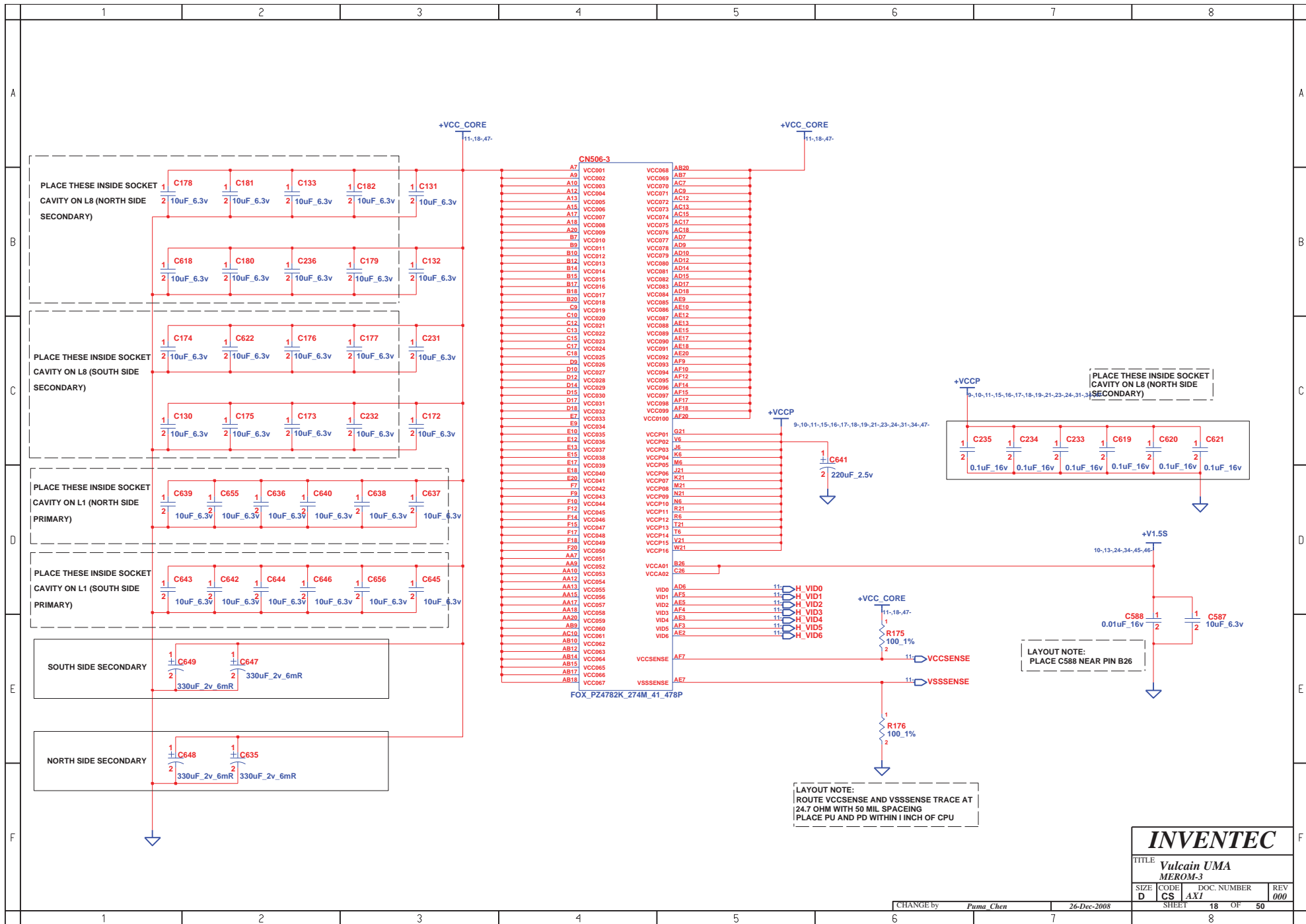
SHEET 15 OF 50

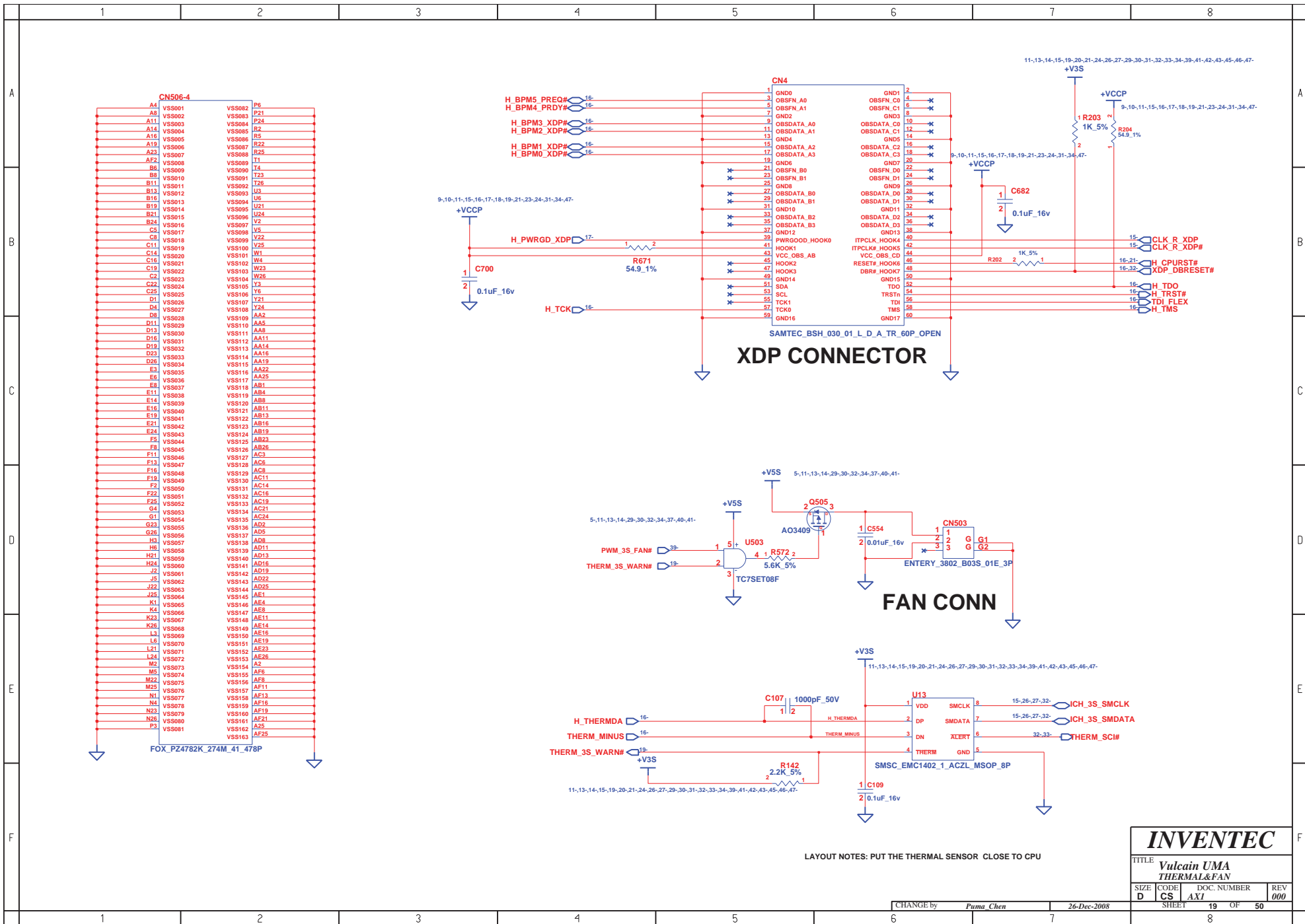


INVENTEC			
TITLE Vulcain UMA MEROM-1			
SIZE D	CODE CS	DOC. NUMBER AXI	REV 000
CHANGE by Pama Chen		26-Dec-2008	
SHEET 16		OF 50	

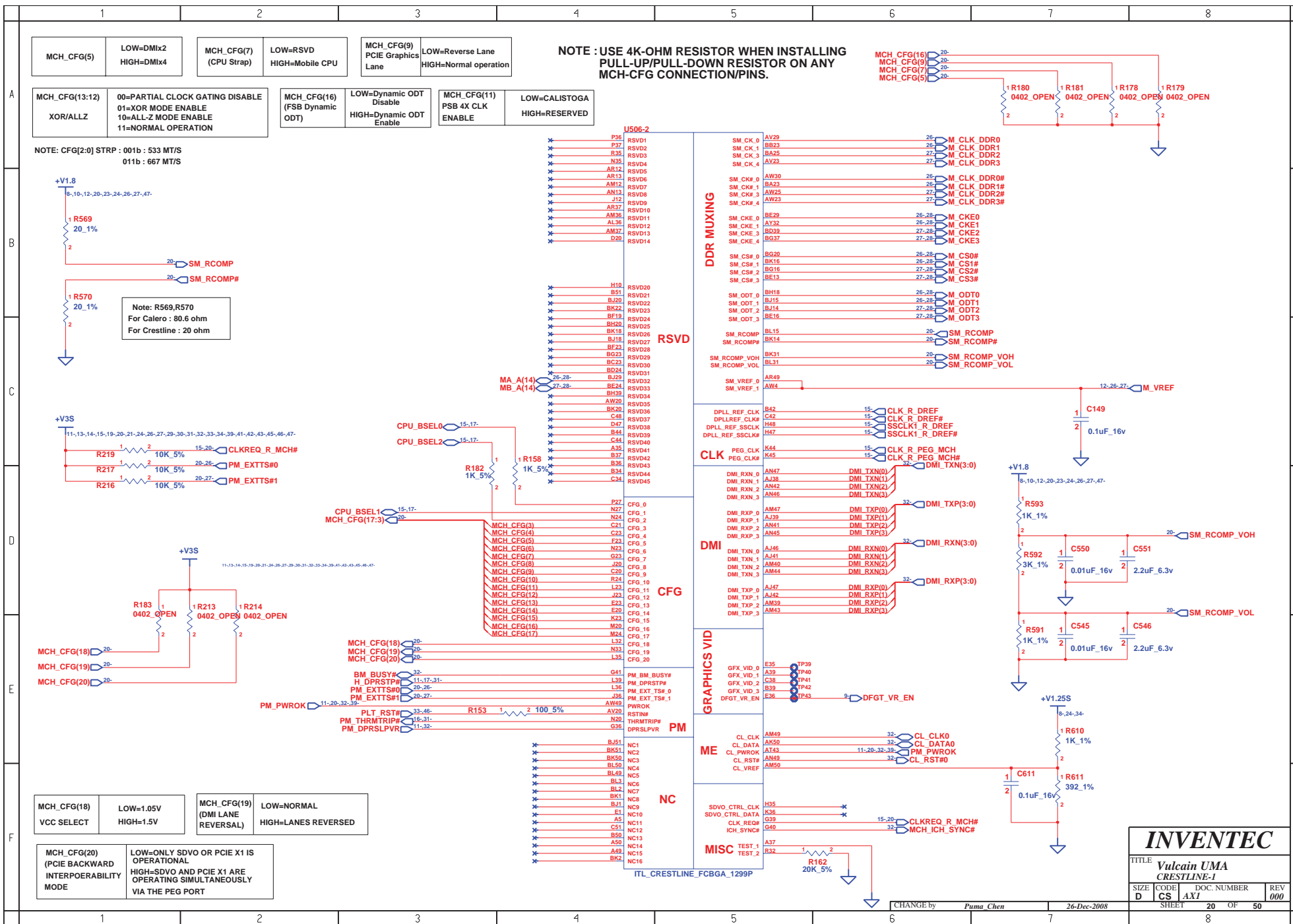


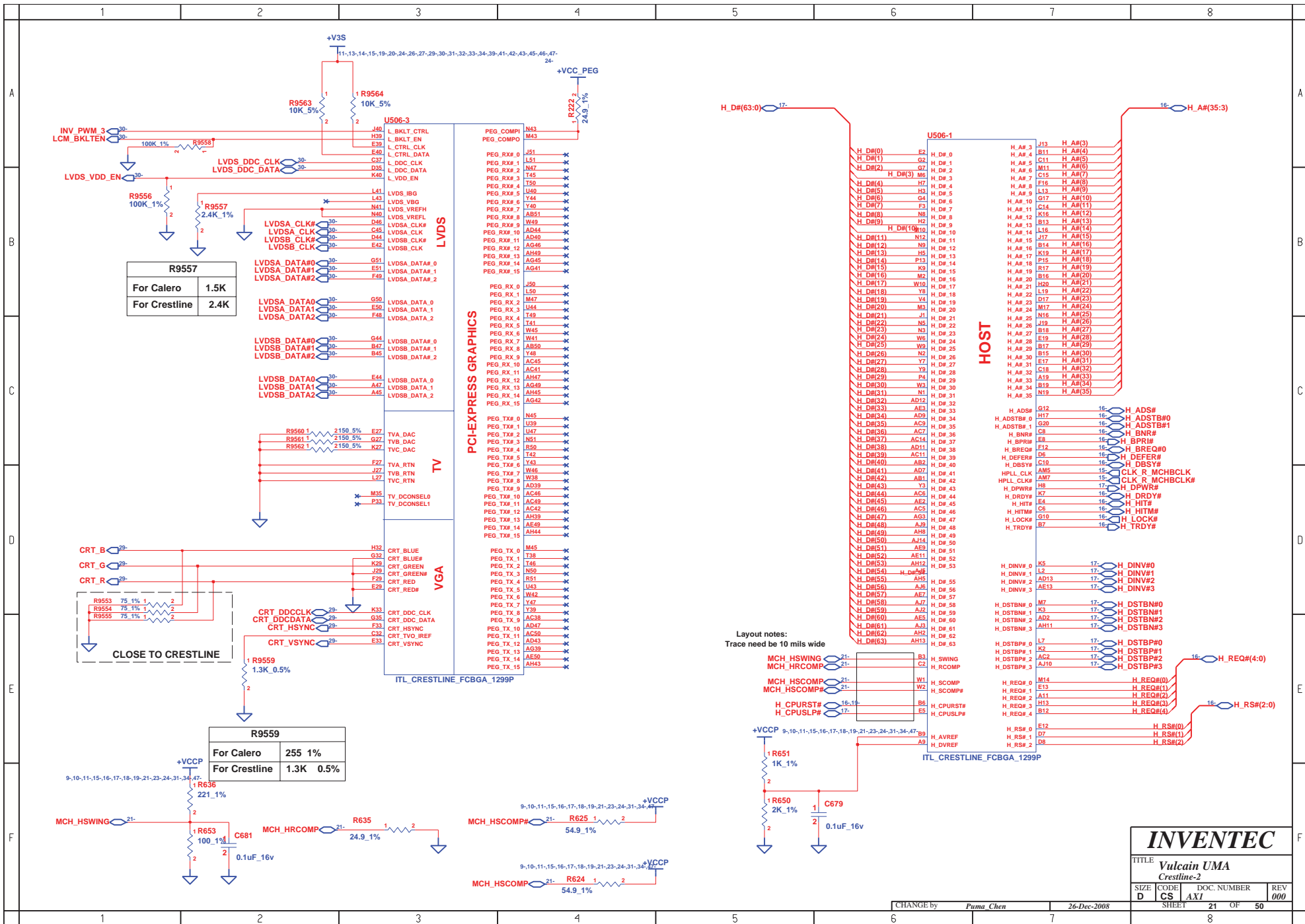
INVENTEC			
TITLE Vulcain UMA MEROM-2			
SIZE D	CODE CS	DOC. NUMBER AXI	REV 000
CHANGE by <i>Pama Chen</i>		26-Dec-2008	
SHEET 17		OF 50	

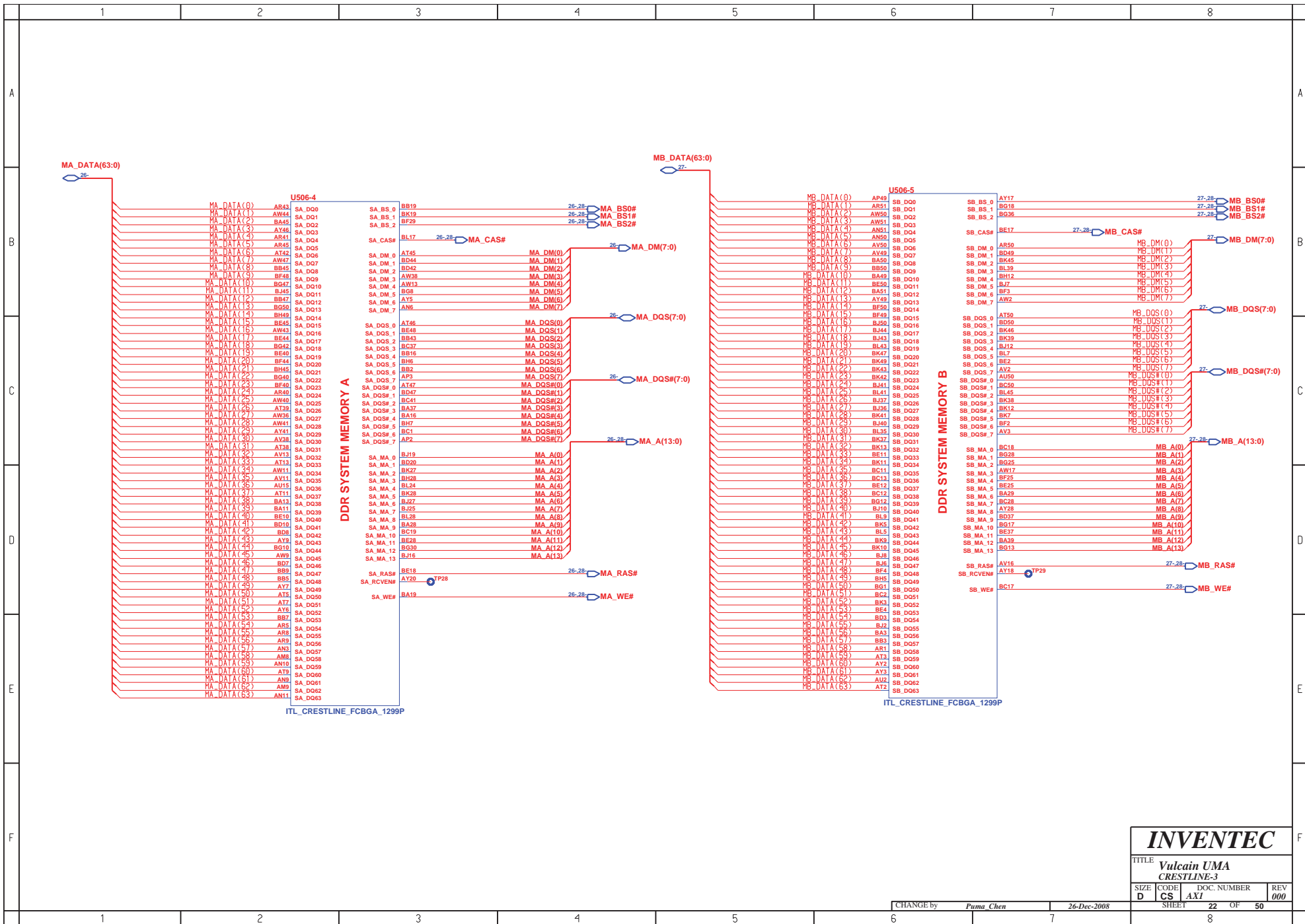




INVENTEC			
TITLE: Vulcain UMA THERMAL&FAN			
SIZE	CODE	DOC. NUMBER	REV
D	CS	AX1	000
CHANGE by <i>Pama Chen</i>		26-Dec-2008	
SHEET 19		OF 50	







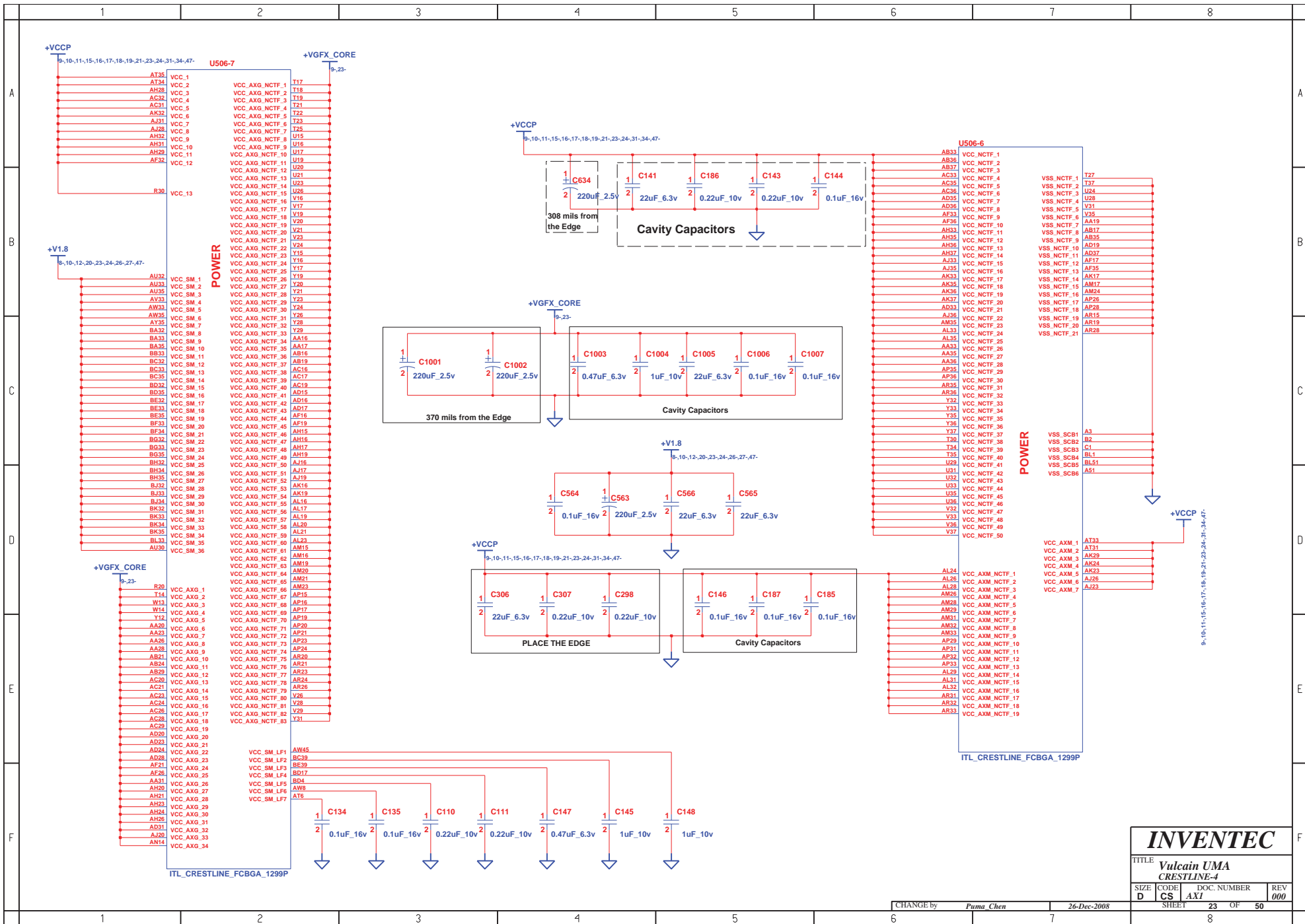
INVENTEC

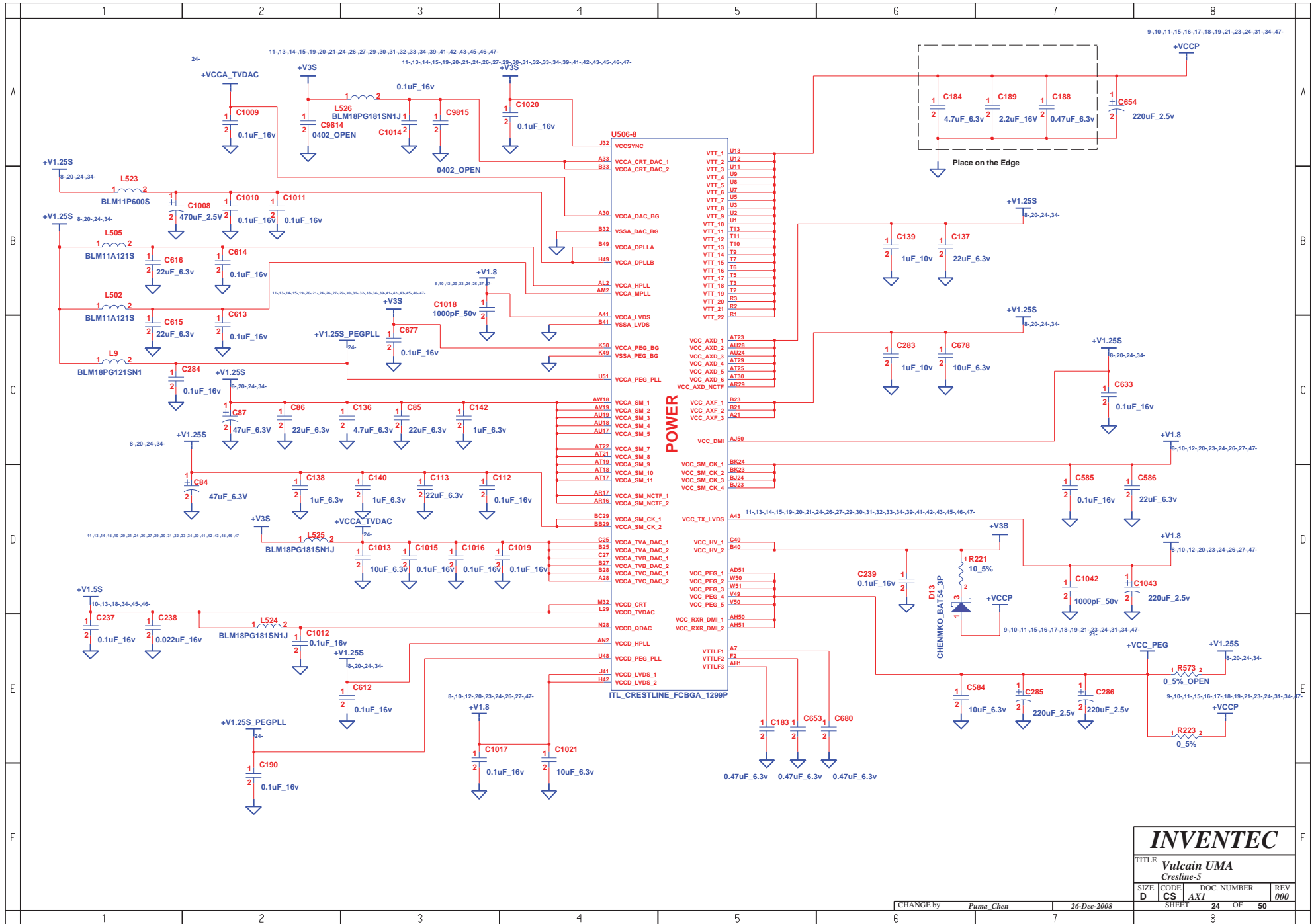
TITLE: **Vulcain UMA CRESTLINE-3**

SIZE	CODE	DOC. NUMBER	REV
D	CS	AX1	000

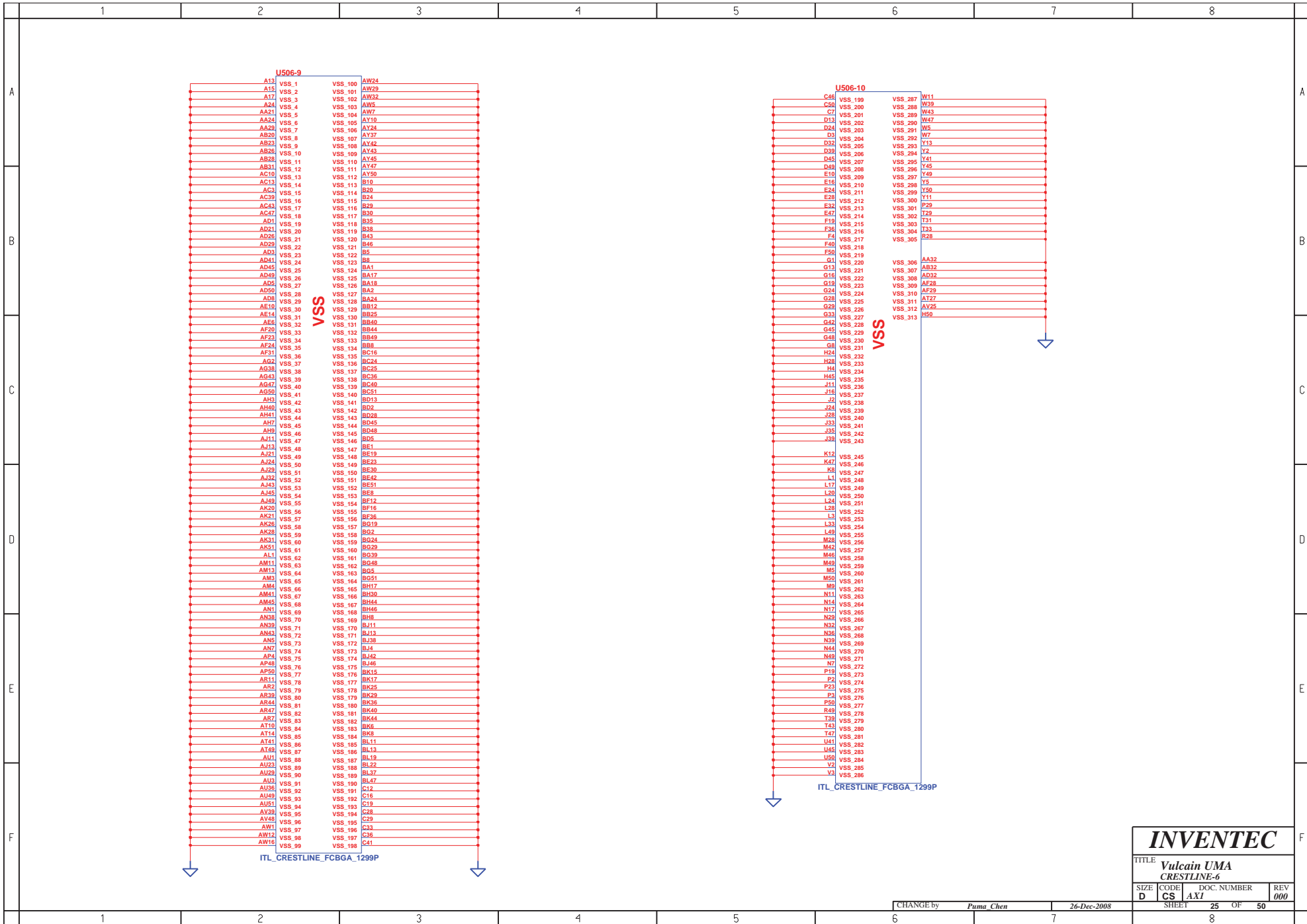
SHEET 22 OF 50

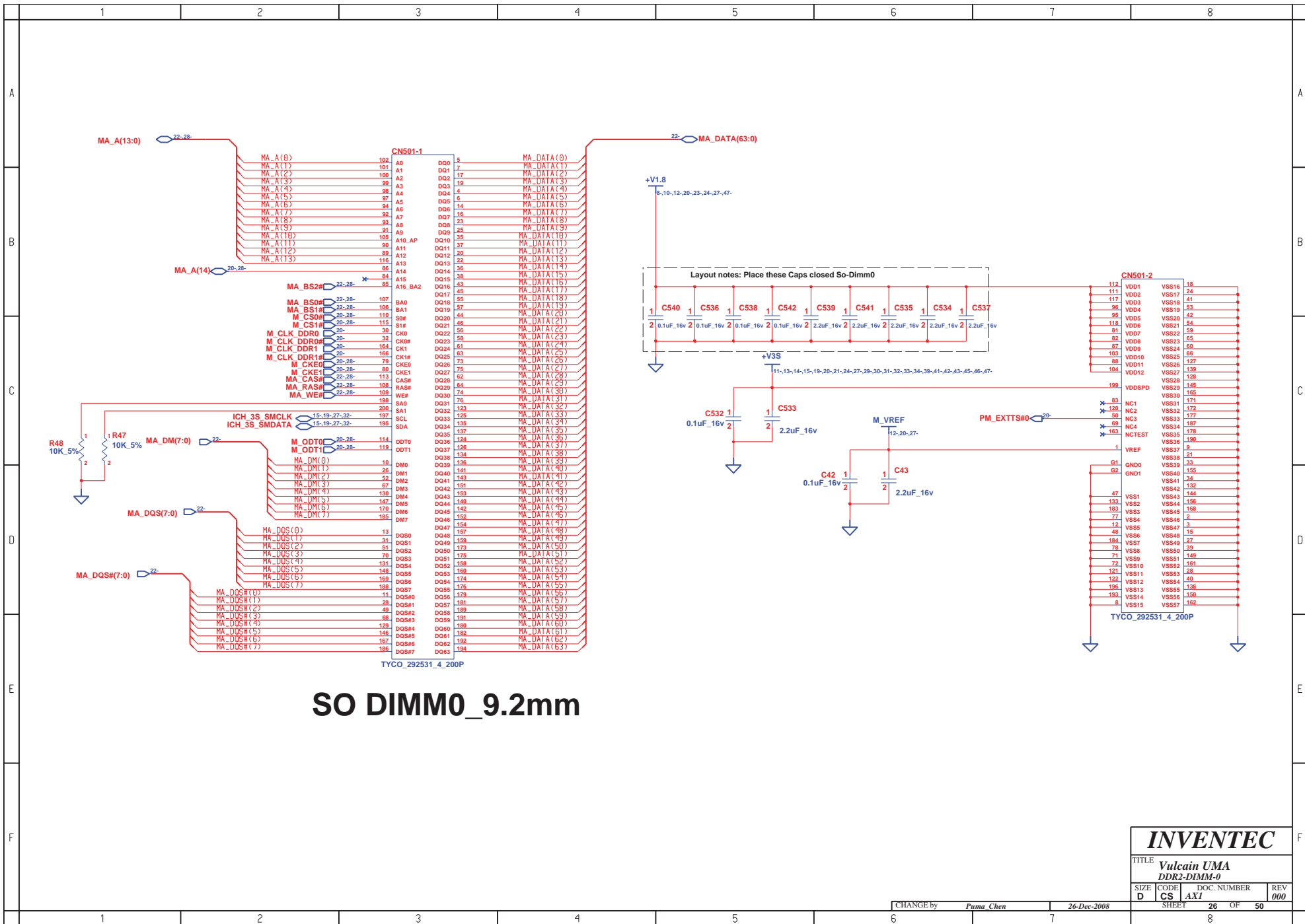
CHANGE by Puma Chen 26-Dec-2008





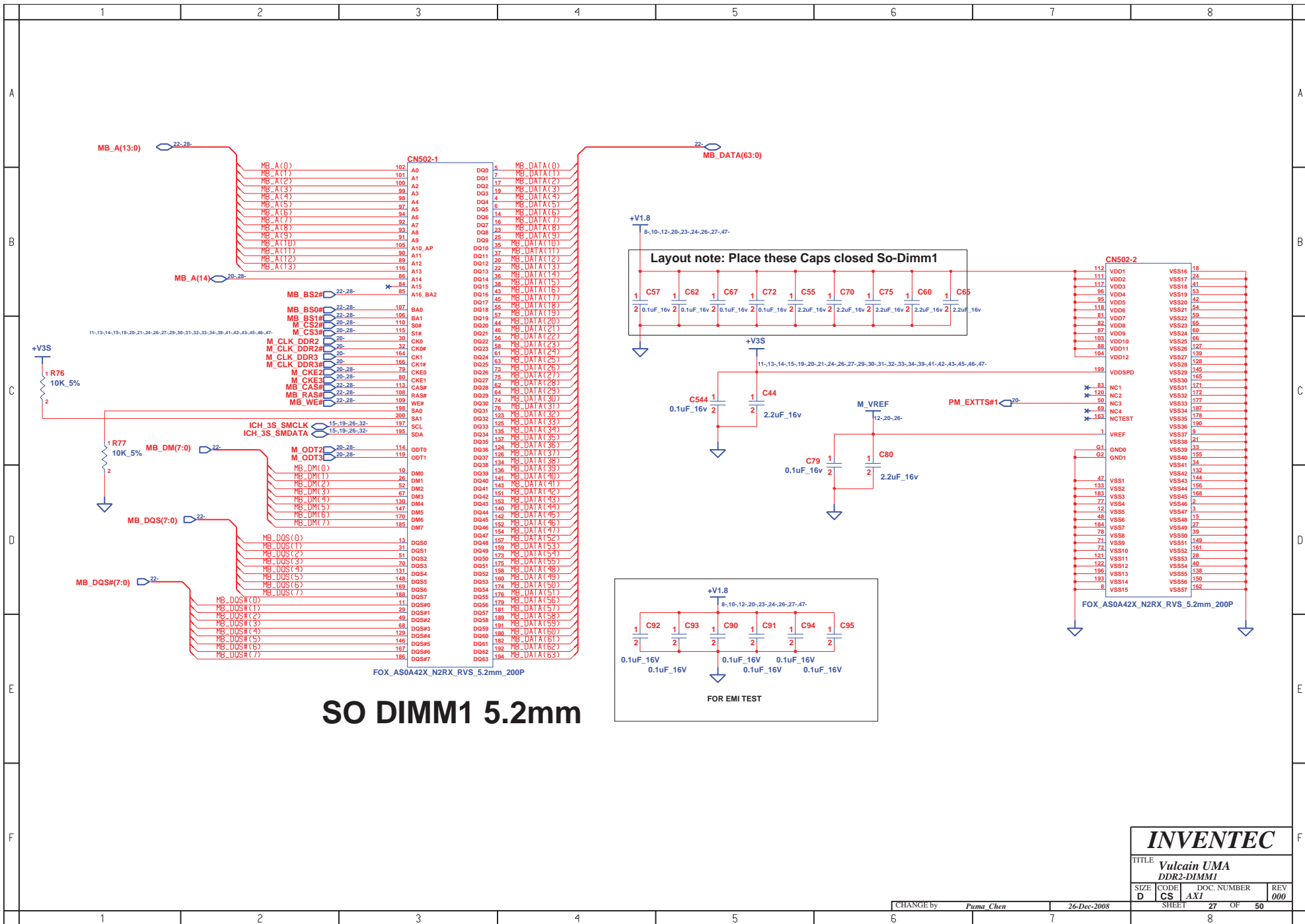
INVENTEC			
TITLE: Vulcain UMA Crestline-5			
SIZE D	CODE CS	DOC NUMBER AXI	REV 000
CHANGE by Pama Chen		26-Dec-2008	
SHEET 24		OF 50	



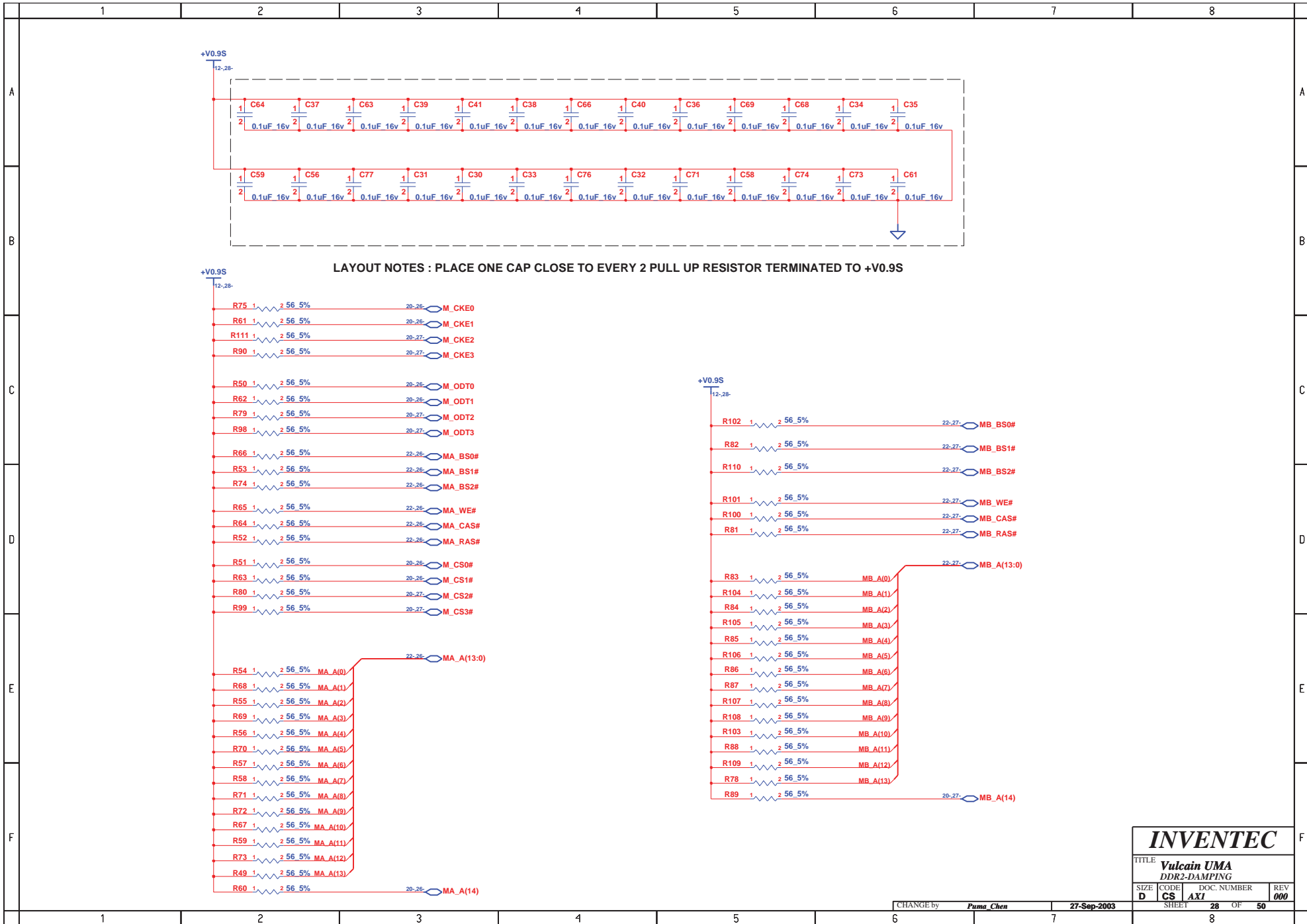


SO DIMM 9.2mm

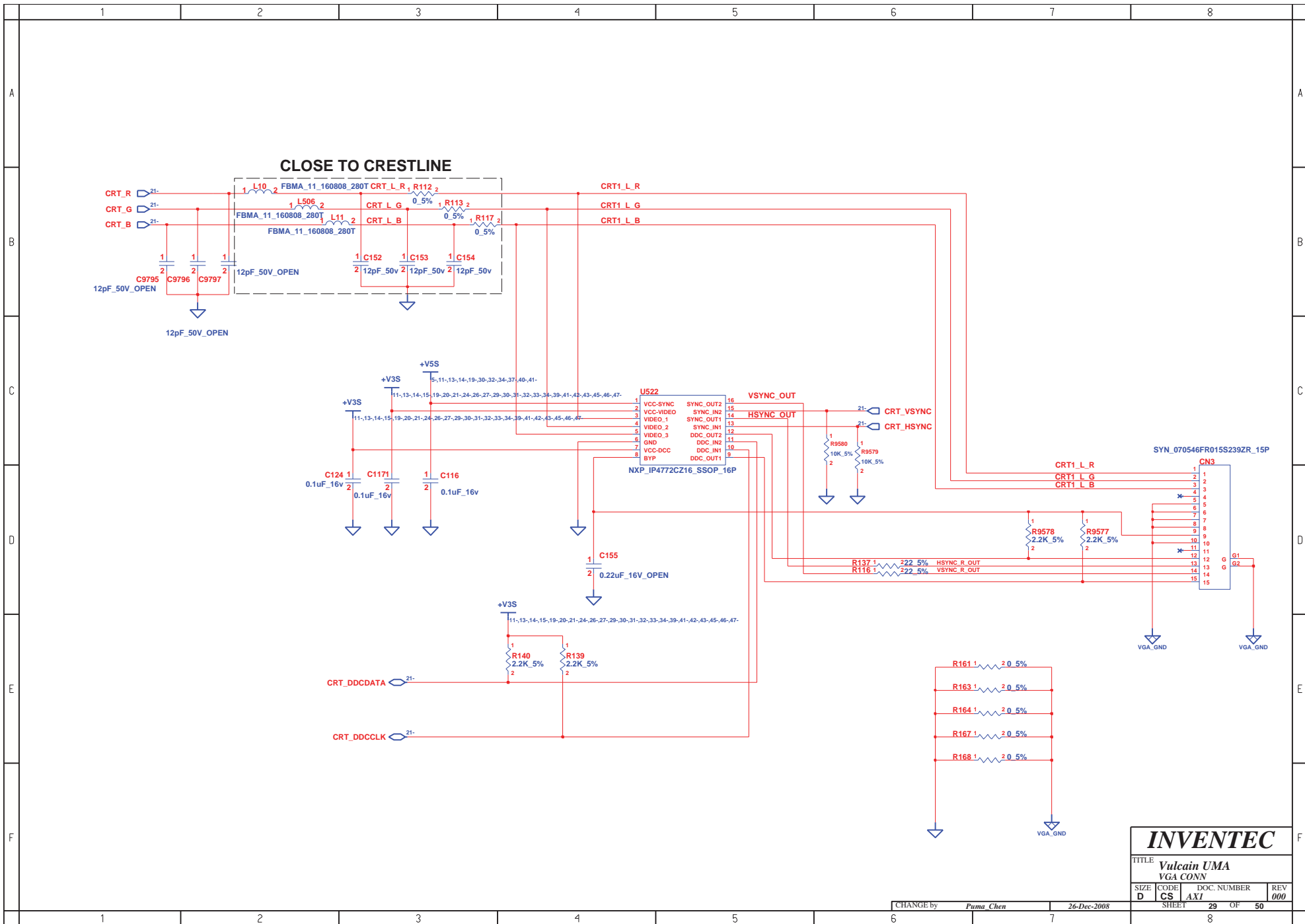
INVENTEC			
TITLE Vulcain UMA DDR2-DIMM-0			
SIZE D	CODE CS	DOC. NUMBER AX1	REV 000
CHANGE by <i>Puma Chen</i>		26-Dec-2008	SHEET 26 OF 50



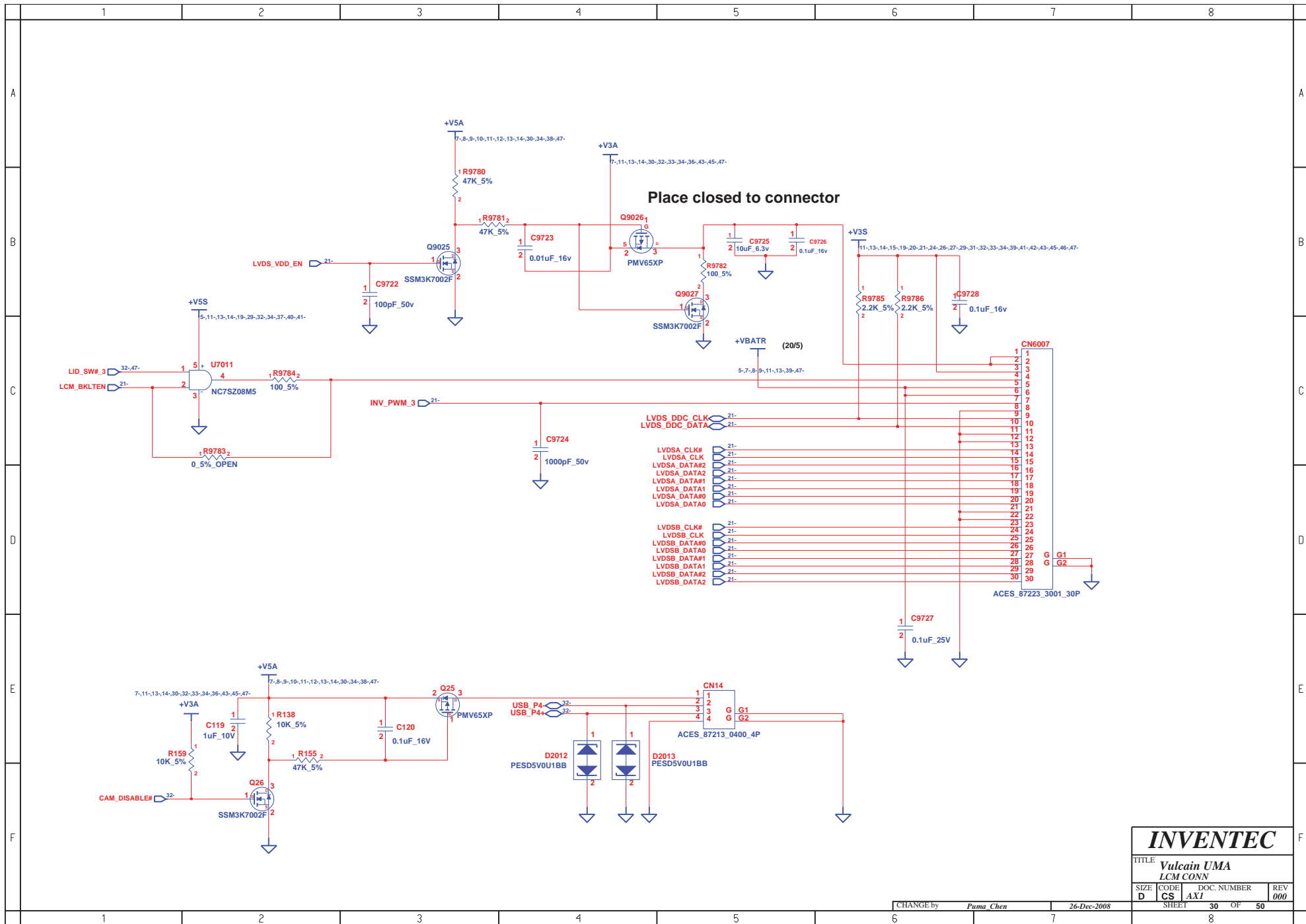
INVENTEC			
TITLE Vulcain UMA DDR2-DIMM1			
SIZE D	CODE CS	DOC. NUMBER AX1	REV 000
CHANGE by <i>Puma Chen</i>		26-Dec-2008	
SHEET 27		OF 50	



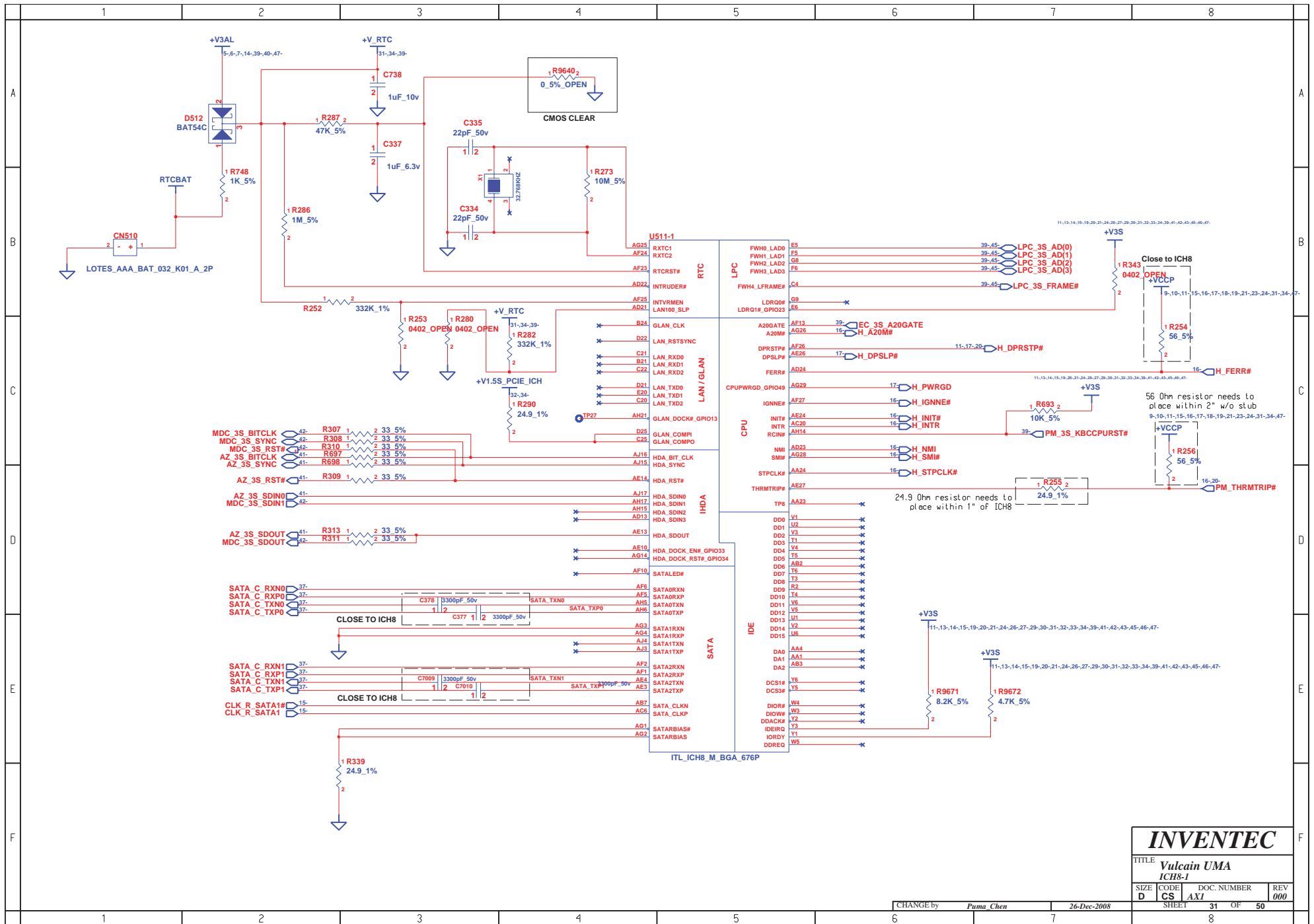
INVENTEC			
TITLE Vulcain UMA DDR2-DAMPING			
SIZE D	CODE CS	DOC. NUMBER AXI	REV 000
CHANGE by Puma Chen		27-Sep-2003	SHEET 28 OF 50

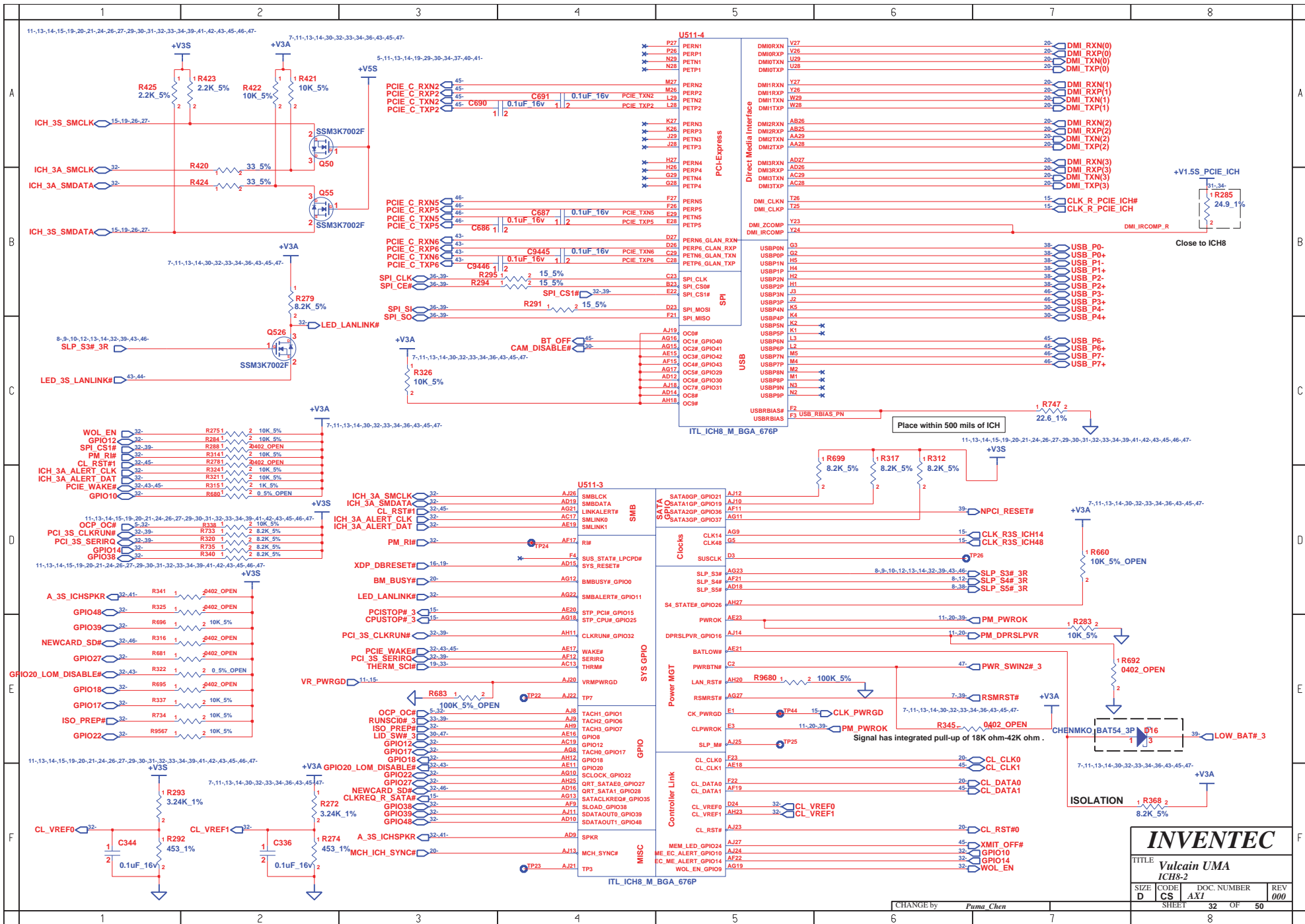


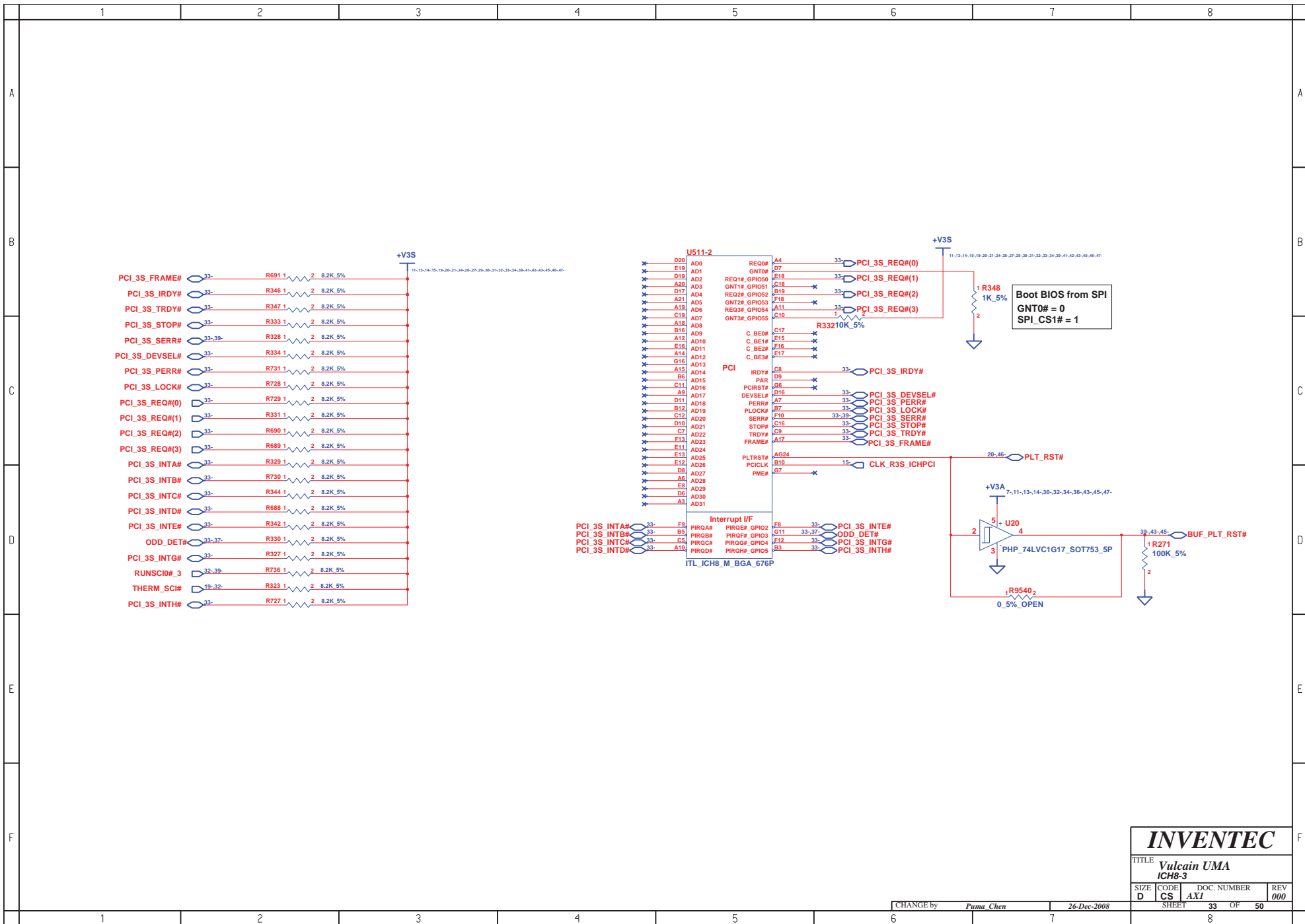
INVENTEC			
TITLE Vulcain UMA VGA CONN			
SIZE D	CODE CS	DOC. NUMBER AXI	REV 000
CHANGE by <i>Pama Chen</i>		26-Dec-2008	
SHEET 29		OF 50	

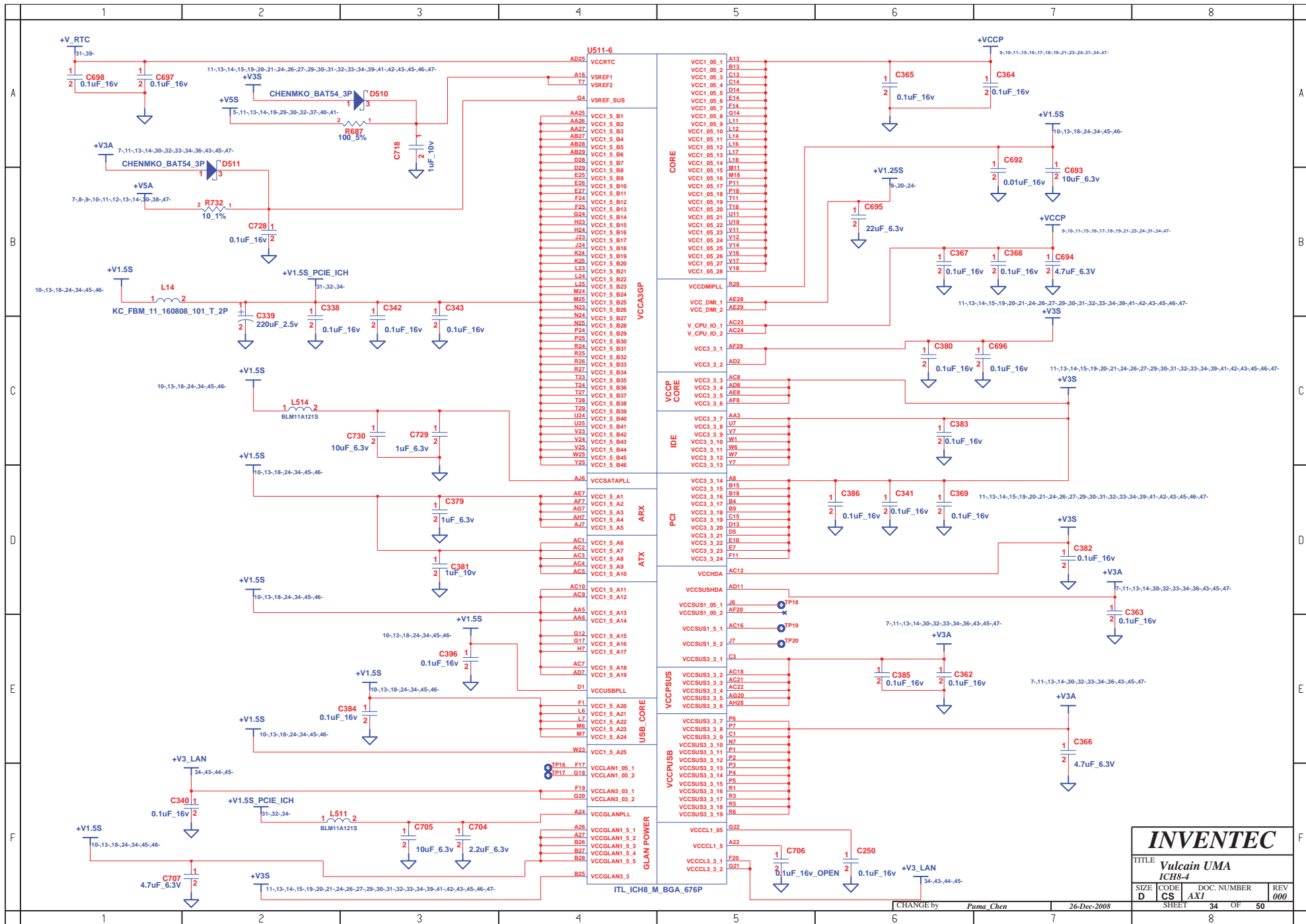


INVENTEC			
TITLE Vulcain UMA LCM CONN			
SIZE D	CODE CS	DOC. NUMBER AX1	REV 000
CHANGE by <i>Pama Chen</i>		26-Dec-2008	
SHEET 30		OF 50	









INVENTEC			
TITLE Vulcain UMA			
ICHS-4			
SIZE	CODE	DOC. NUMBER	REV
D	CS	AX1	000
SHEET		34	OF 50

	1	2	3	4	5	6	7	8	
A									
B									
C									
D									
E									
F									

US11-5	
A23	VSS001
AA	VSS002
AA2	VSS003
AA7	VSS004
A25	VSS005
AB1	VSS006
AB24	VSS007
AC11	VSS008
AC14	VSS009
AC25	VSS010
AC26	VSS011
AC27	VSS012
AD17	VSS013
AD20	VSS014
AD28	VSS015
AD29	VSS016
AD3	VSS017
AD4	VSS018
AD6	VSS019
AE1	VSS020
AE12	VSS021
AE2	VSS022
AE22	VSS023
AD1	VSS024
AE24	VSS025
AE5	VSS026
AE6	VSS027
AE9	VSS028
AF4	VSS029
AF16	VSS030
AF18	VSS031
AF3	VSS032
AF4	VSS033
AG5	VSS034
AG6	VSS035
AH10	VSS036
AH13	VSS037
AH16	VSS038
AH18	VSS039
AM2	VSS040
AF28	VSS041
AH22	VSS042
AH24	VSS043
AH26	VSS044
AH3	VSS045
AH4	VSS046
AH8	VSS047
AJ5	VSS048
B11	VSS049
B14	VSS050
B17	VSS051
B2	VSS052
B20	VSS053
B22	VSS054
B8	VSS055
C24	VSS056
C28	VSS057
C27	VSS058
C6	VSS059
D12	VSS060
D15	VSS061
D18	VSS062
D2	VSS063
D4	VSS064
E21	VSS065
E24	VSS066
E4	VSS067
E9	VSS068
F15	VSS069
E23	VSS070
F28	VSS071
F28	VSS072
F7	VSS073
G1	VSS074
E2	VSS075
G10	VSS076
G13	VSS077
G19	VSS078
G23	VSS079
G25	VSS080
G26	VSS081
G27	VSS082
H25	VSS083
H28	VSS084
H29	VSS085
H3	VSS086
H6	VSS087
J1	VSS088
J25	VSS089
J26	VSS090
J27	VSS091
J4	VSS092
J5	VSS093
K23	VSS094
K28	VSS095
K29	VSS096
K3	VSS097
K6	VSS098
K7	VSS099
L1	VSS100
L13	VSS101
L15	VSS102
L16	VSS103
L27	VSS104
L4	VSS105
L9	VSS106
M12	VSS107
M13	VSS108
M14	VSS109
M15	VSS110
M16	VSS111
M17	VSS112
M23	VSS113
M28	VSS114
M29	VSS115
M3	VSS116
N1	VSS117
N11	VSS118
N12	VSS119
N13	VSS120
N14	VSS121
N15	VSS122
N16	VSS123
N17	VSS124
N18	VSS125
N26	VSS126
N27	VSS127
N4	VSS128
N5	VSS129
N6	VSS130
P12	VSS131
P13	VSS132
P14	VSS133
P15	VSS134
P16	VSS135
P17	VSS136
P23	VSS137
P28	VSS138
P29	VSS139
R11	VSS140
R12	VSS141
R13	VSS142
R14	VSS143
R15	VSS144
R16	VSS145
R17	VSS146
R18	VSS147
R28	VSS148
R4	VSS149
T12	VSS150
T13	VSS151
T14	VSS152
T15	VSS153
T16	VSS154
T17	VSS155
T2	VSS156
U12	VSS157
U13	VSS158
U14	VSS159
U15	VSS160
U16	VSS161
U17	VSS162
U23	VSS163
U26	VSS164
U27	VSS165
U3	VSS166
U5	VSS167
V13	VSS168
V15	VSS169
V28	VSS170
W2	VSS171
W26	VSS172
W27	VSS173
Y28	VSS174
Y29	VSS175
Y4	VSS176
Y4	VSS177
AB4	VSS178
AB23	VSS179
AB5	VSS180
AB6	VSS181
AD5	VSS182
U2	VSS183
W24	VSS184
A1	VSS_NCTF_01
A2	VSS_NCTF_02
A28	VSS_NCTF_03
A29	VSS_NCTF_04
AH1	VSS_NCTF_05
AH29	VSS_NCTF_06
AJ1	VSS_NCTF_07
AJ2	VSS_NCTF_08
AJ28	VSS_NCTF_09
AJ29	VSS_NCTF_10
B1	VSS_NCTF_011
B29	VSS_NCTF_012

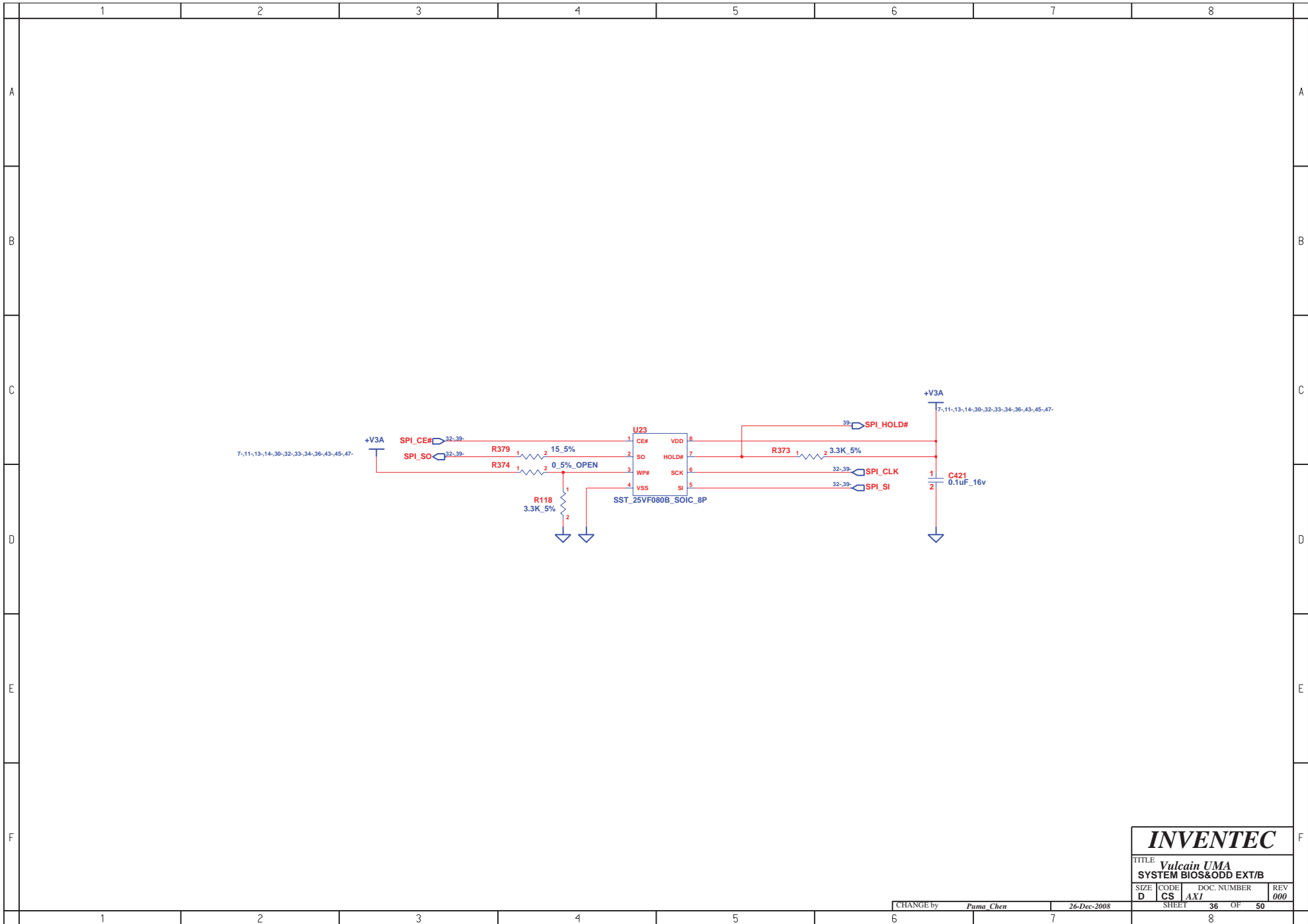
CHANGE by <i>Puma Chen</i>				26-Dec-2008			
SHEET		35	OF	50			

INVENTEC

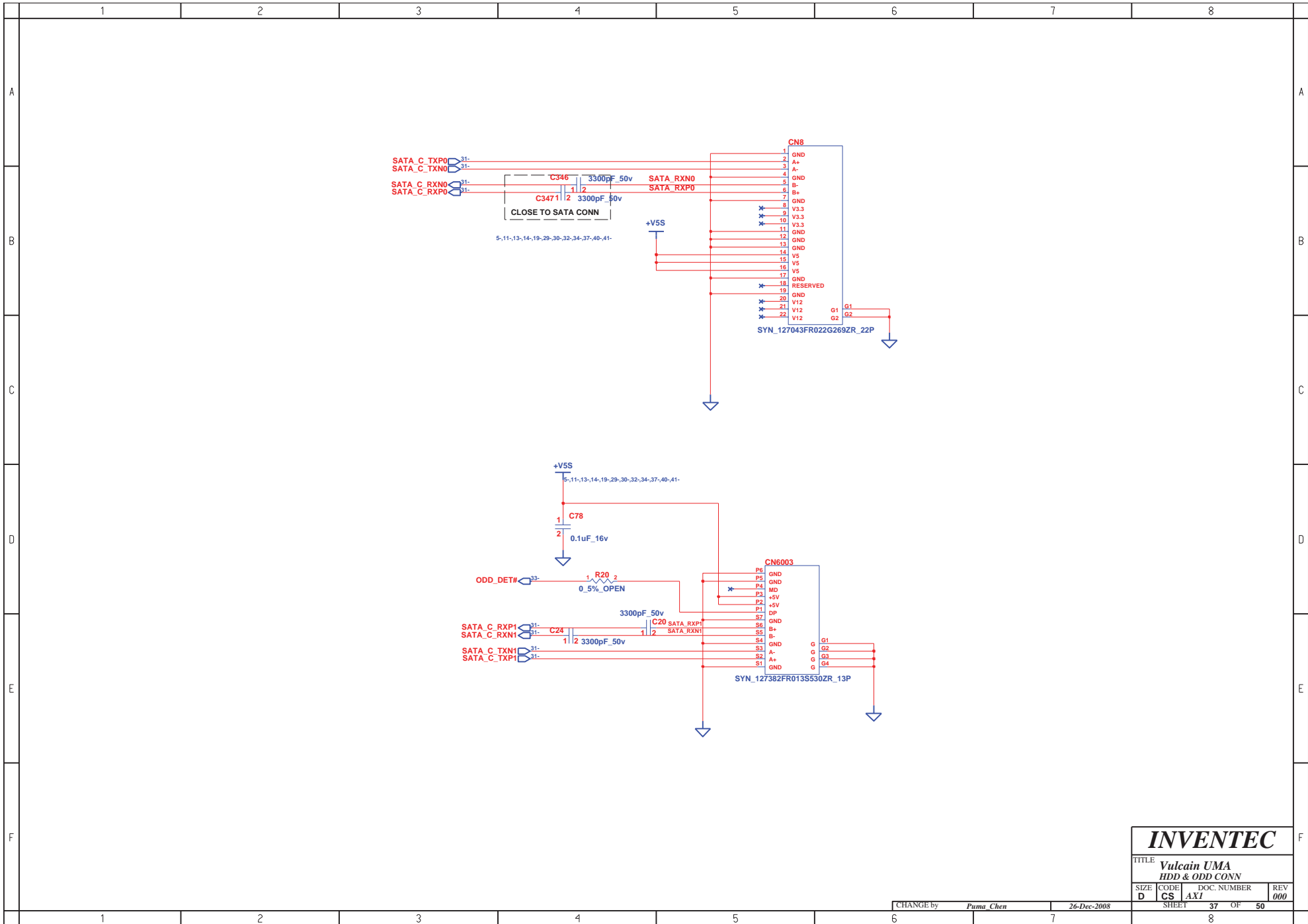
TITLE
Vulcain UMA
ICH8-5

SIZE	CODE	DOC. NUMBER	REV
D	CS	AXI	000

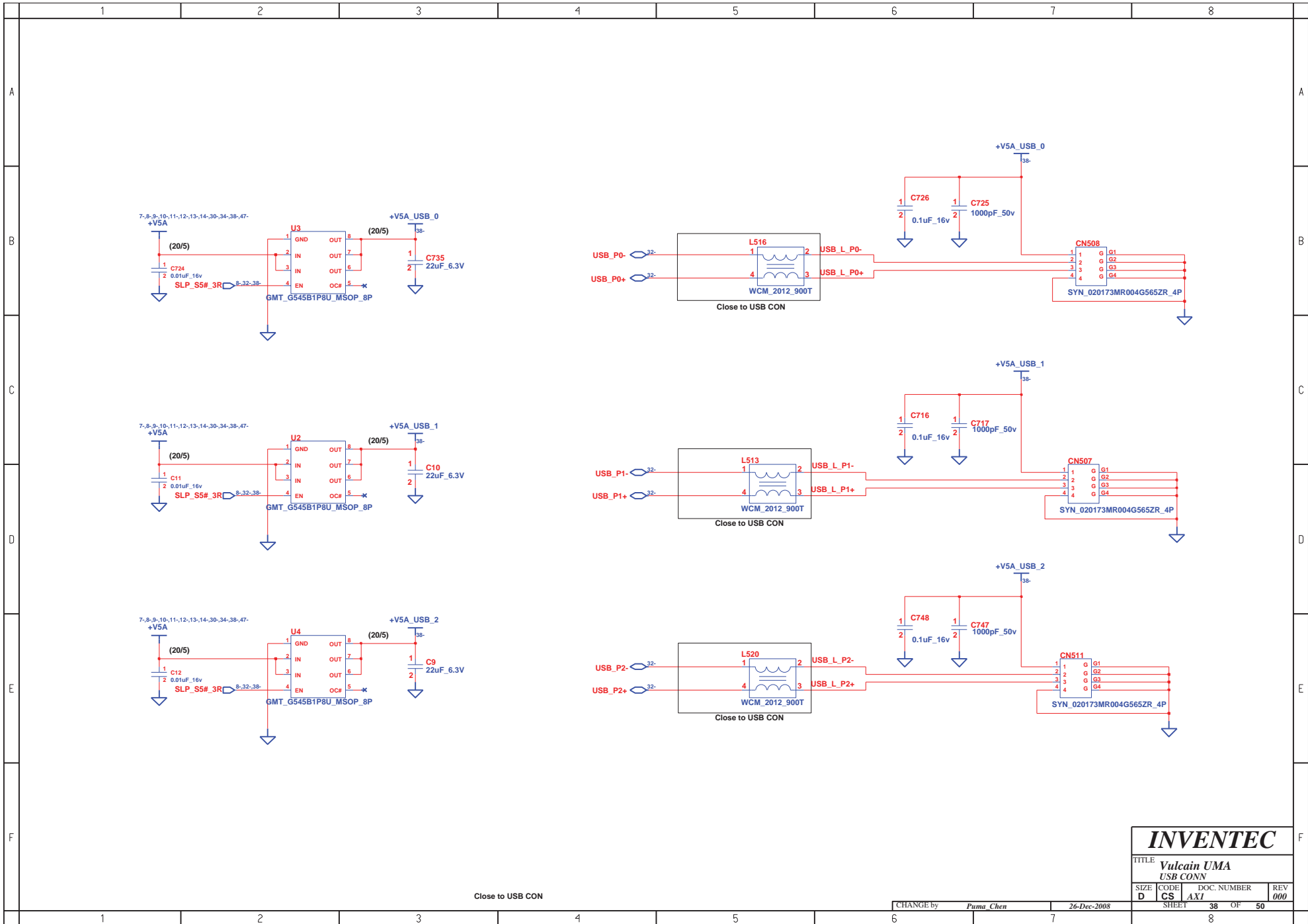
SHEET 35 OF 50



INVENTEC			
TITLE Vulcain UMA			
SYSTEM BIOS&ODD EXT/B			
SIZE	CODE	DOC. NUMBER	REV
D	CS	AXI	000
CHANGE by <i>Pama Chen</i>		26-Dec-2008	
SHEET		36	OF 50



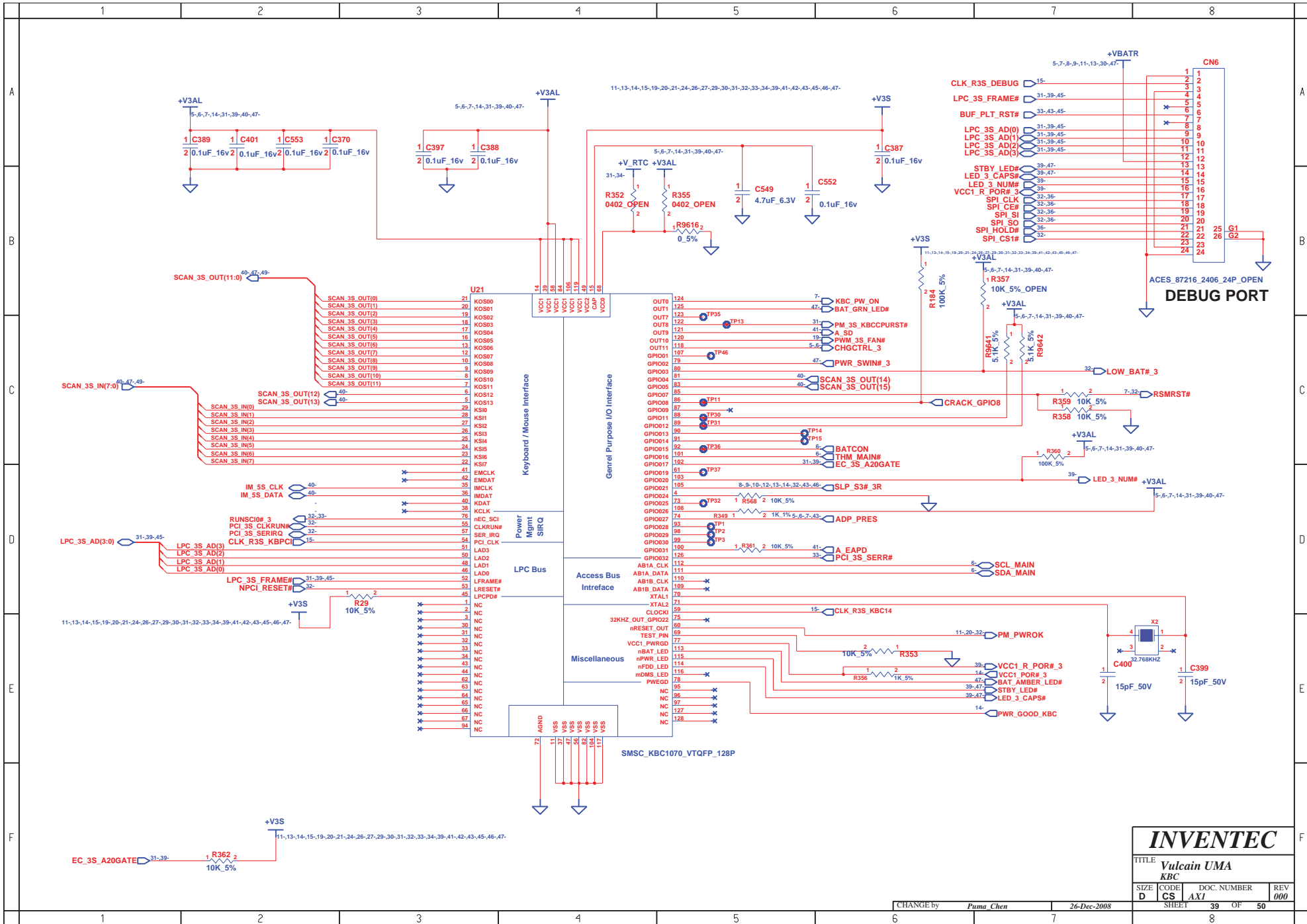
INVENTEC			
TITLE Vulcain UMA HDD & ODD CONN			
SIZE D	CODE CS	DOC. NUMBER AX1	REV 000
CHANGE by <i>Pama Chen</i>		26-Dec-2008	SHEET 37 OF 50
1	2	3	8



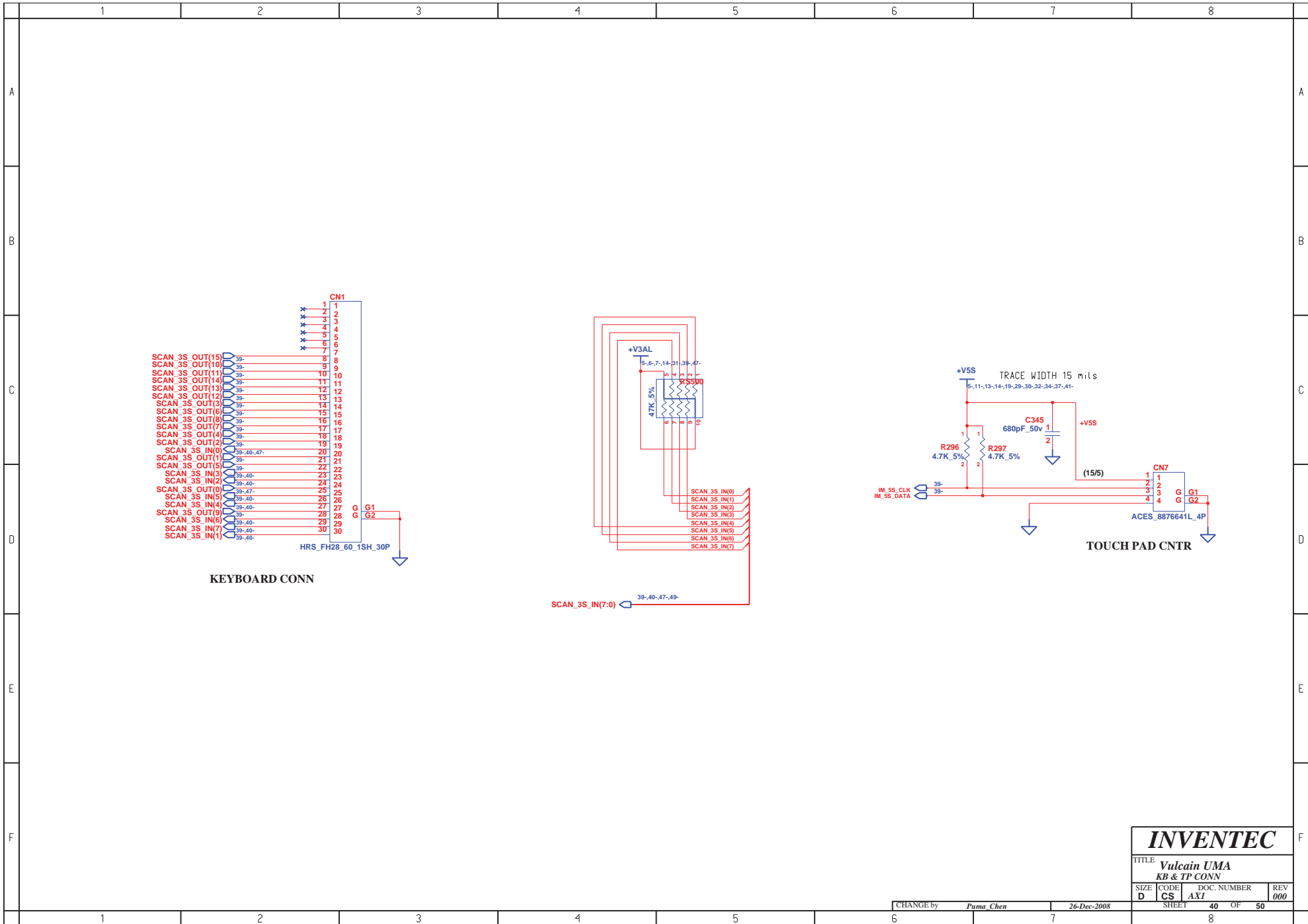
Close to USB CON

CHANGE by Pama Chen 26-Dec-2008

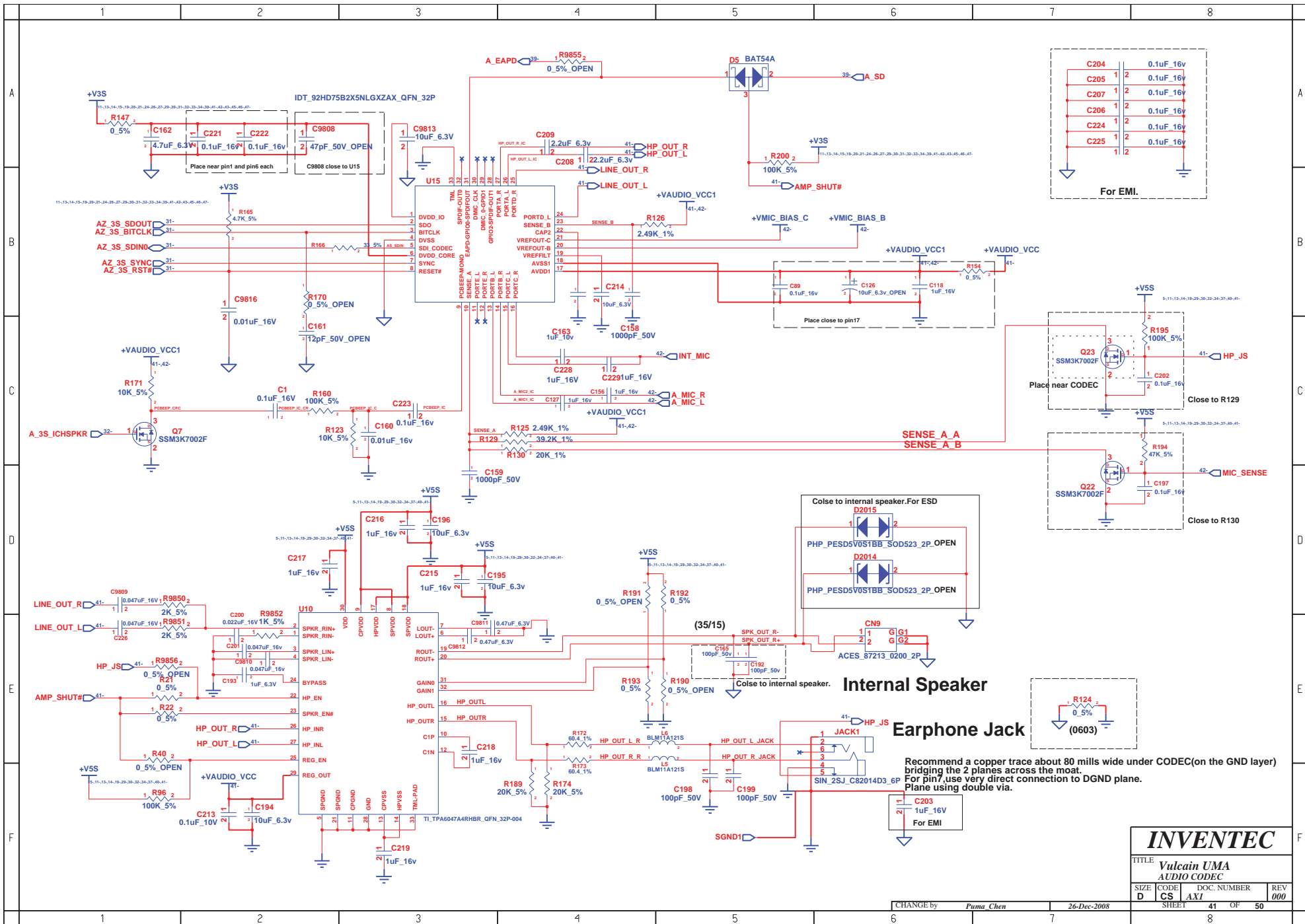
INVENTEC			
TITLE Vulcain UMA USB CONN			
SIZE D	CODE CS	DOC. NUMBER AXI	REV 000
SHEET 38		OF 50	

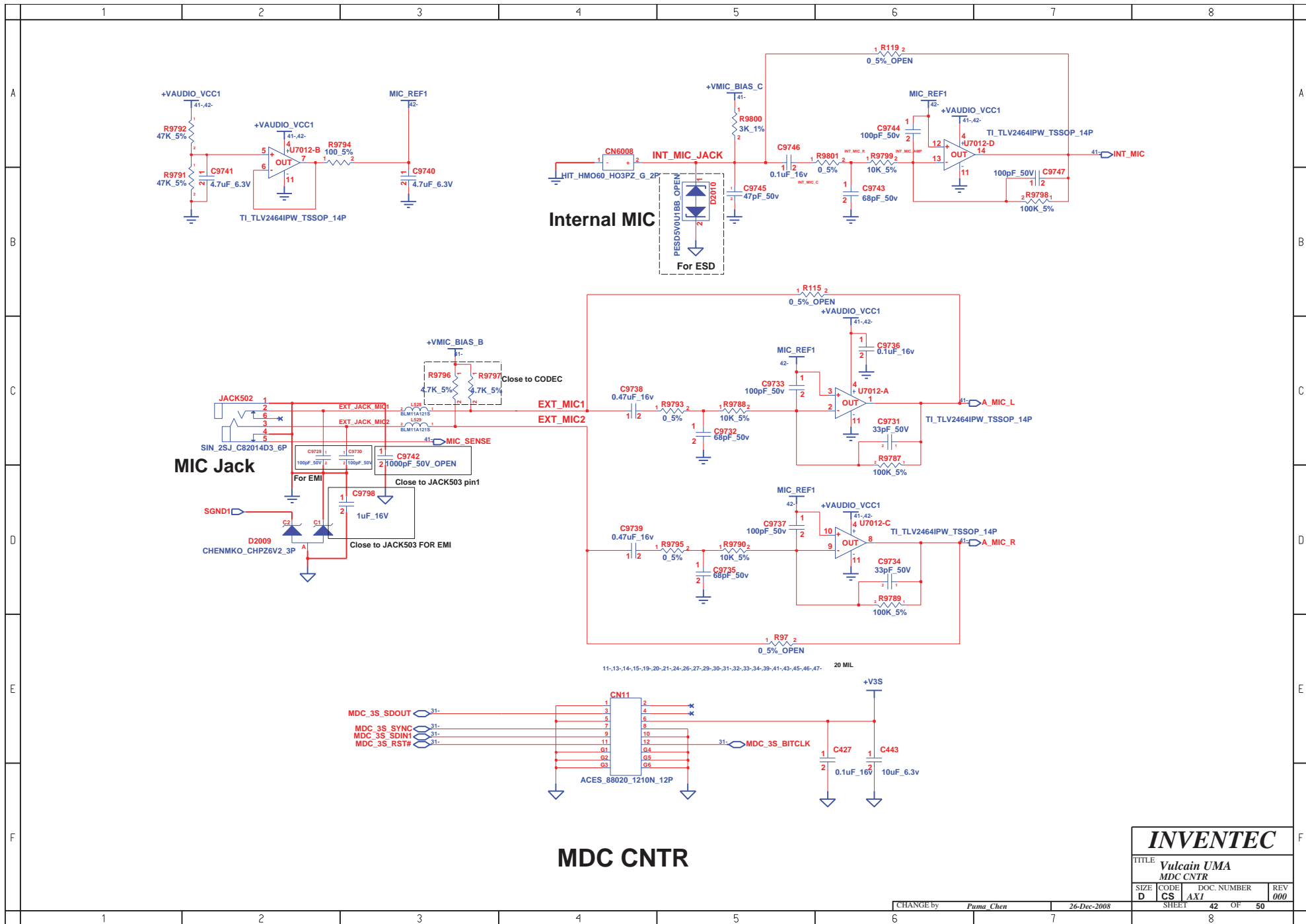


<http://laptop-motherboard-schematic.blogspot.com/>

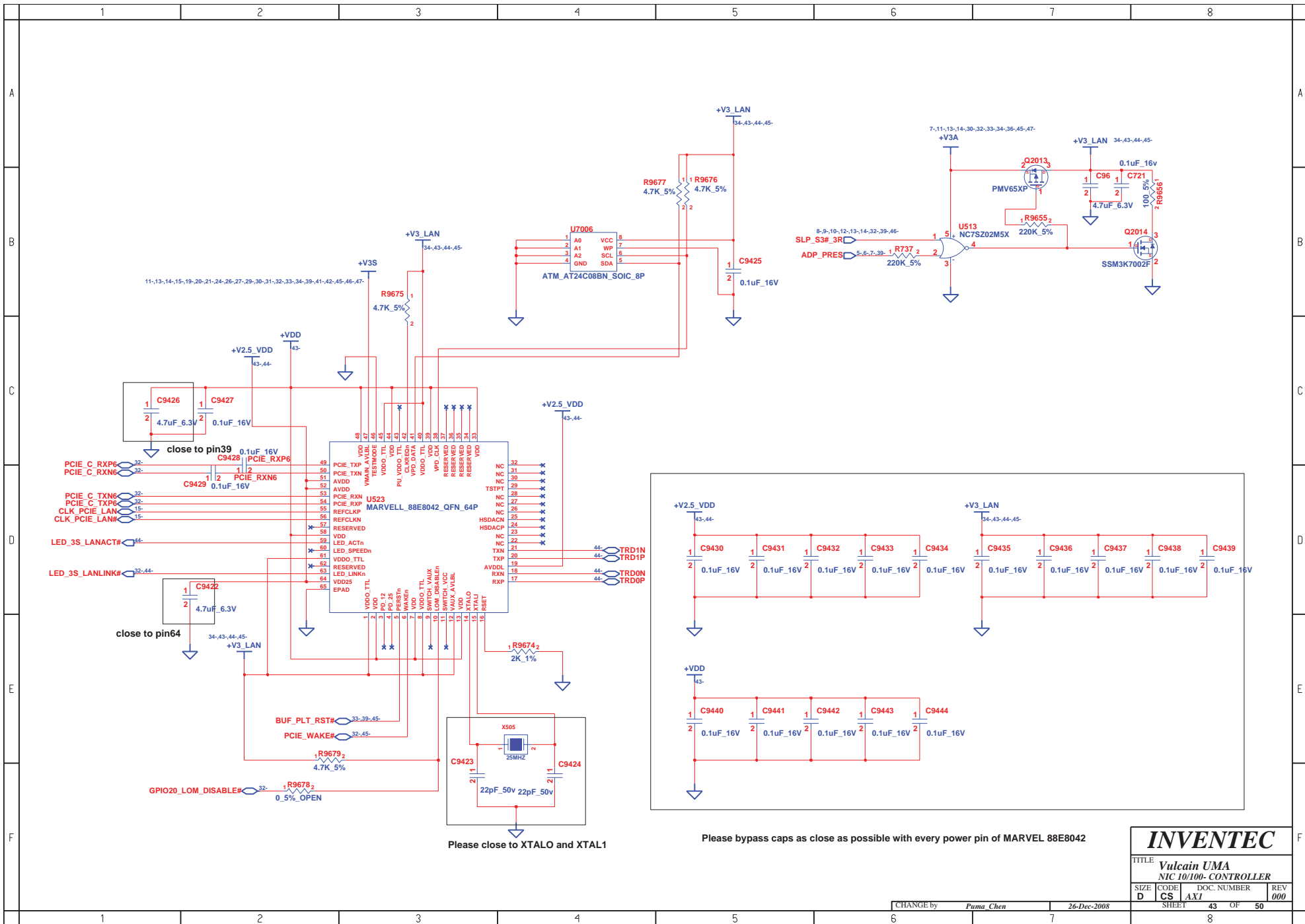


INVENTEC			
TITLE Vulcain UMA			
KB & TP CONN			
SIZE	CODE	DOC. NUMBER	REV
D	CS	AX1	000

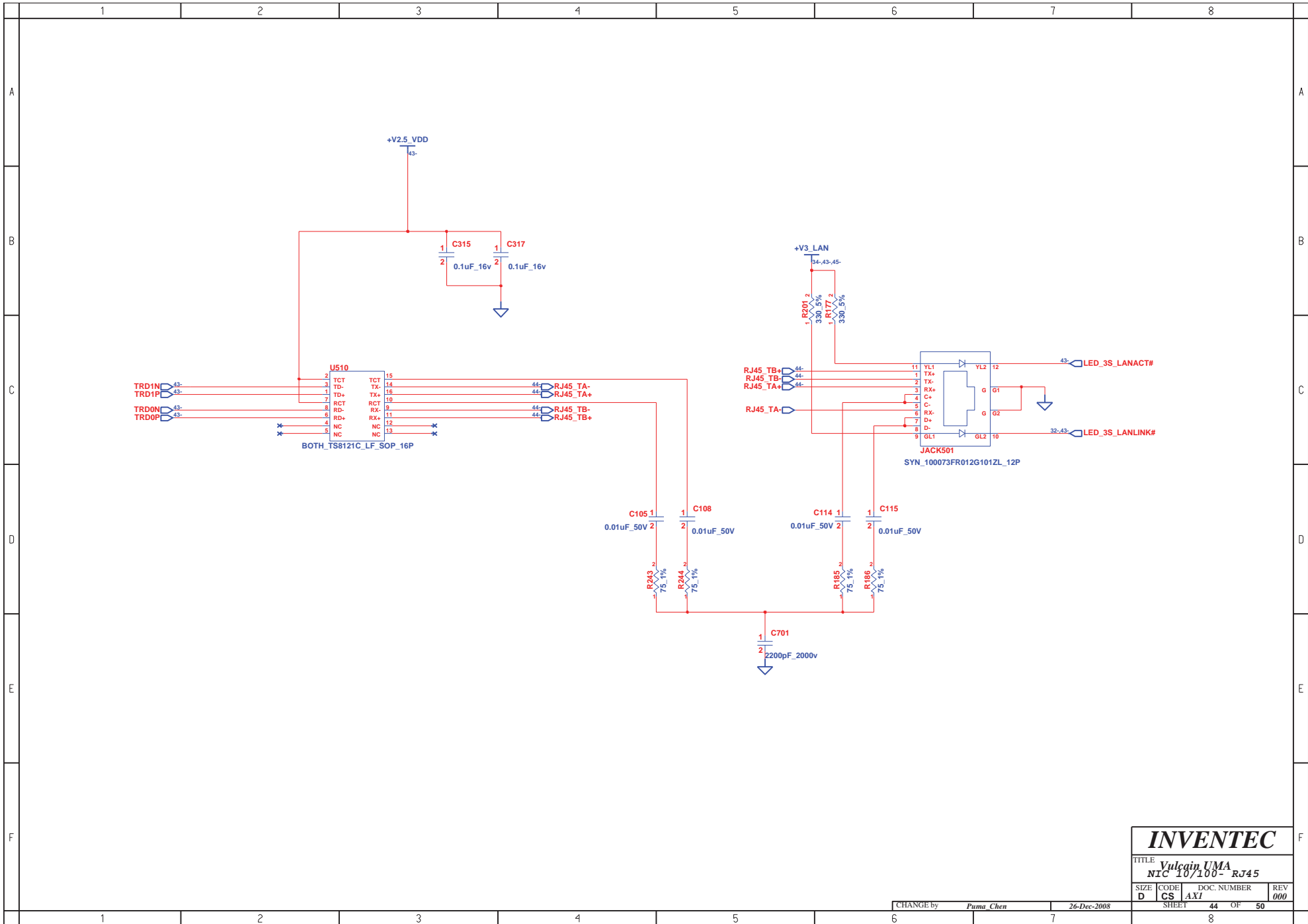




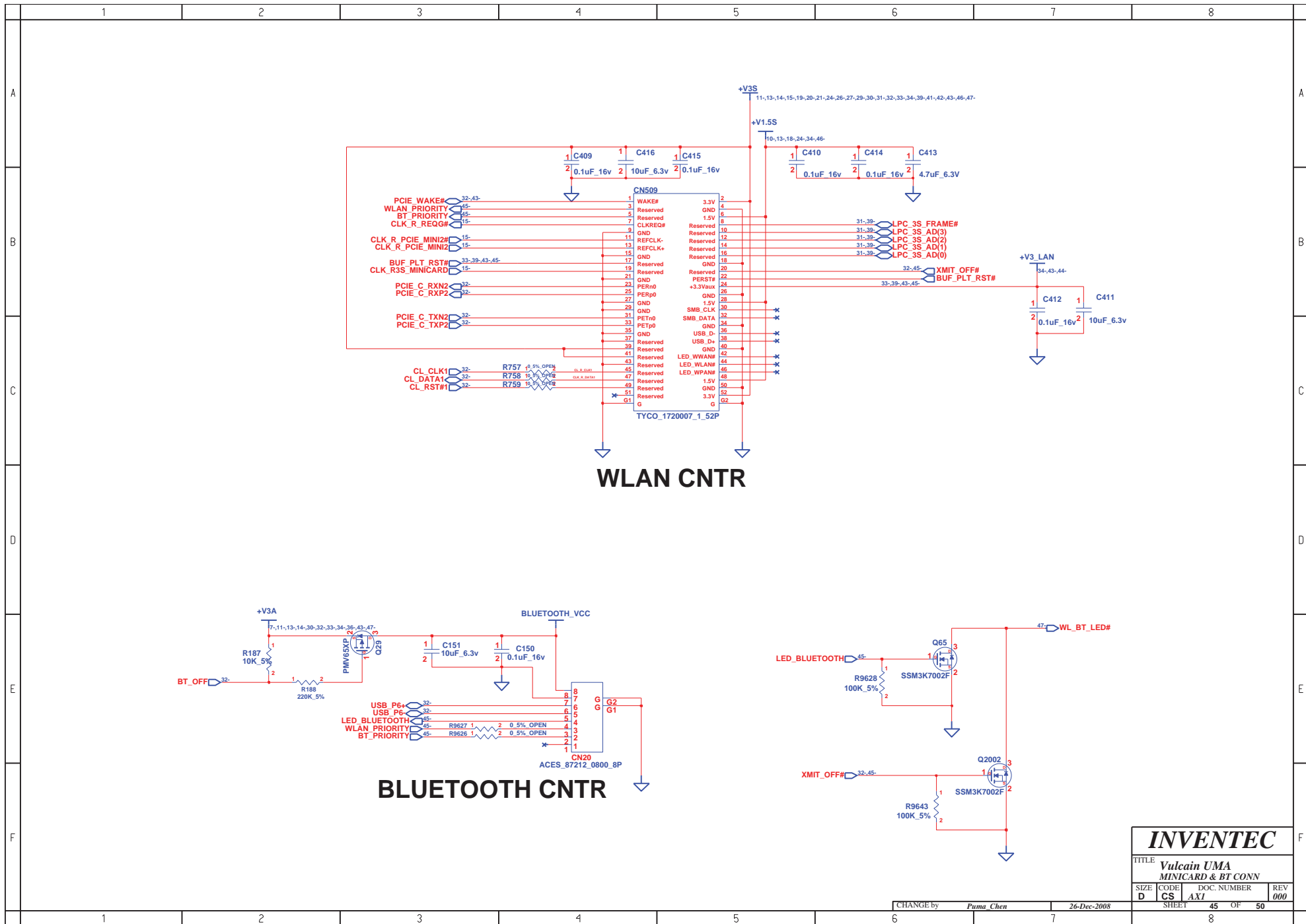
INVENTEC			
TITLE Vulcain UMA MDC CNTR			
SIZE D	CODE CS	DOC. NUMBER AXI	REV 000
CHANGE by <i>Pama Chen</i>		26-Dec-2008	
SHEET		42 OF 50	



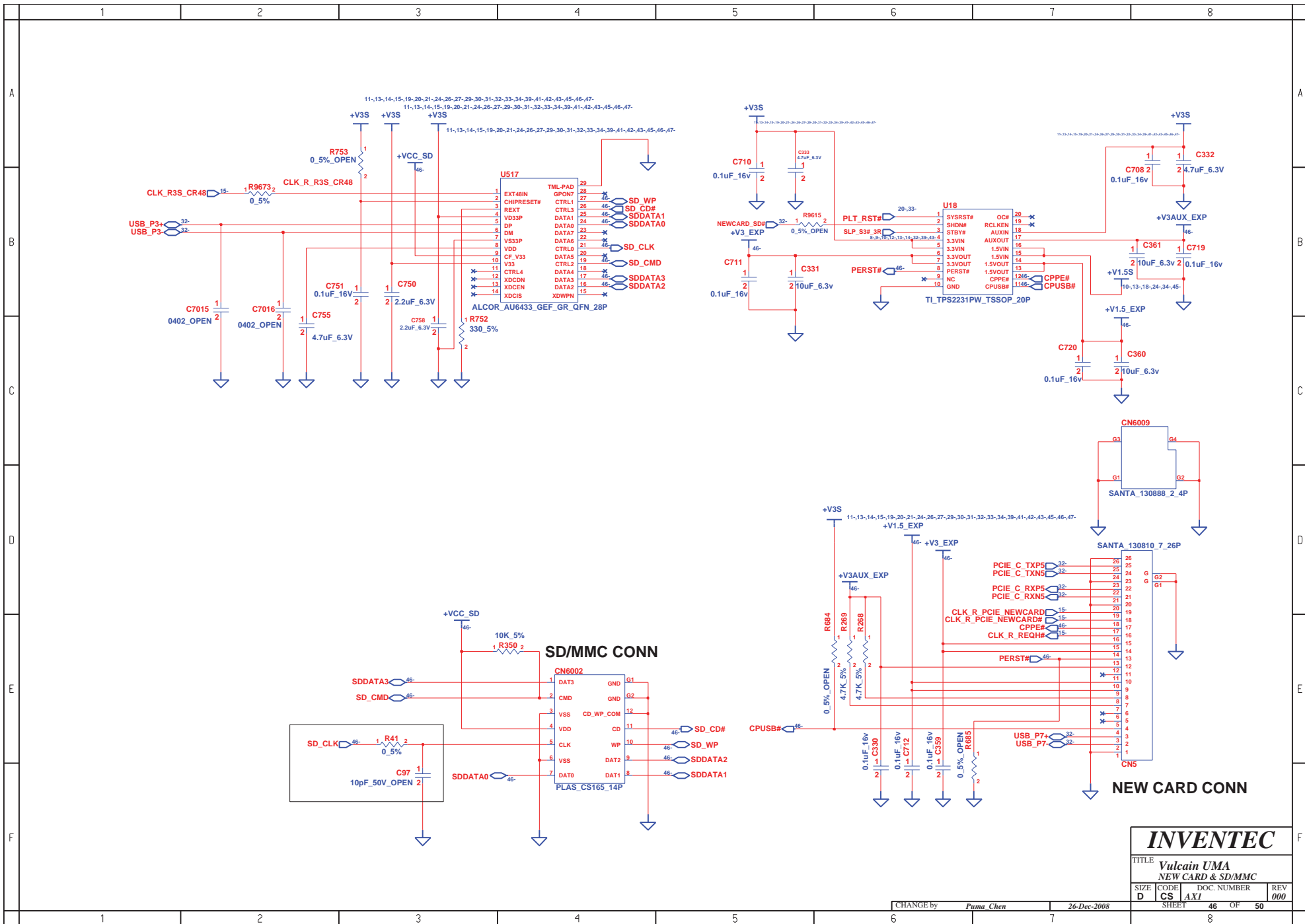
INVENTEC			
TITLE Vulcain UMA NIC 10/100- CONTROLLER			
SIZE D	CODE CS	DOC. NUMBER AXI	REV 000
CHANGE by Pama Chen		26-Dec-2008	
SHEET 43		OF 50	



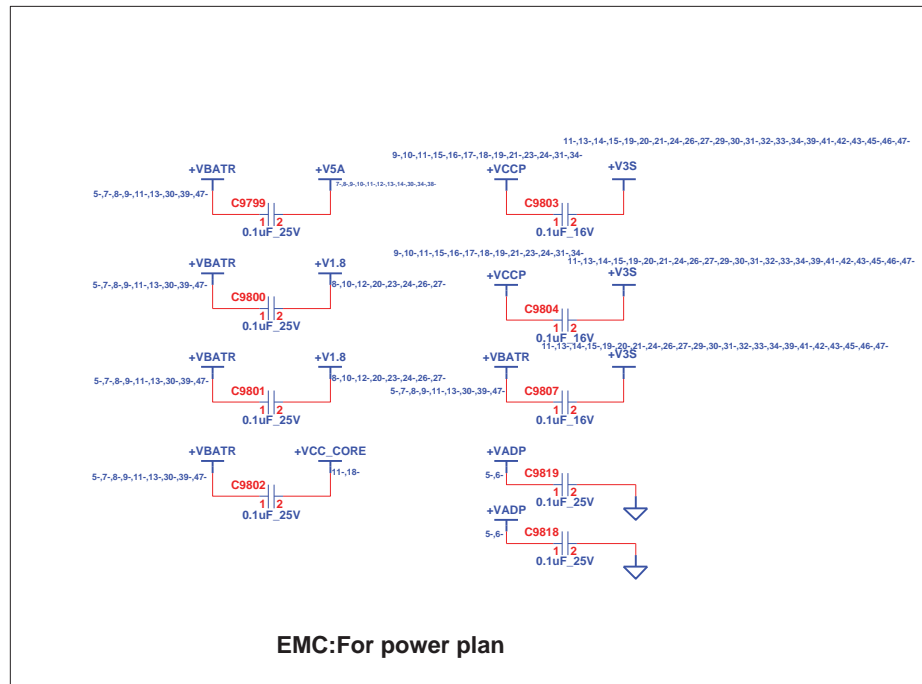
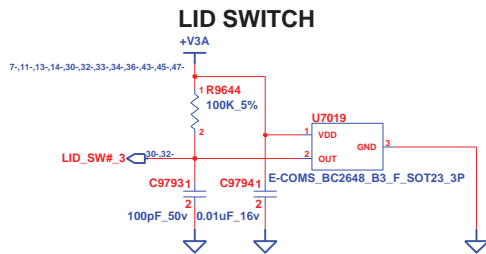
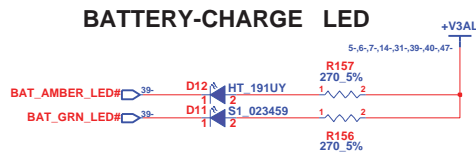
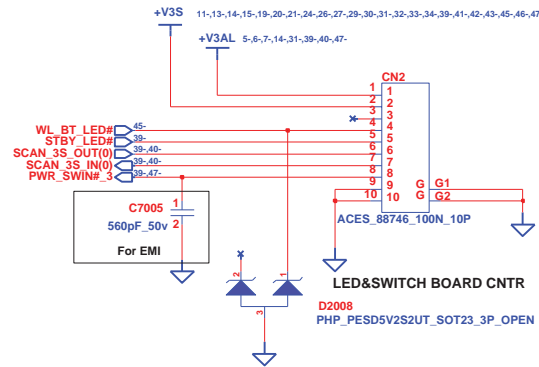
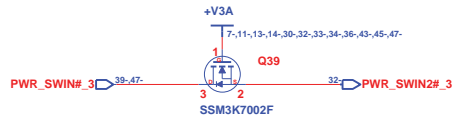
INVENTEC			
TITLE <i>Vulcan UMA</i> NIC 10/100 - RJ45			
SIZE D	CODE CS	DOC. NUMBER AXI	REV 000
CHANGE by <i>Pama Chen</i>		26-Dec-2008	SHEET 44 OF 50
1	2	3	8



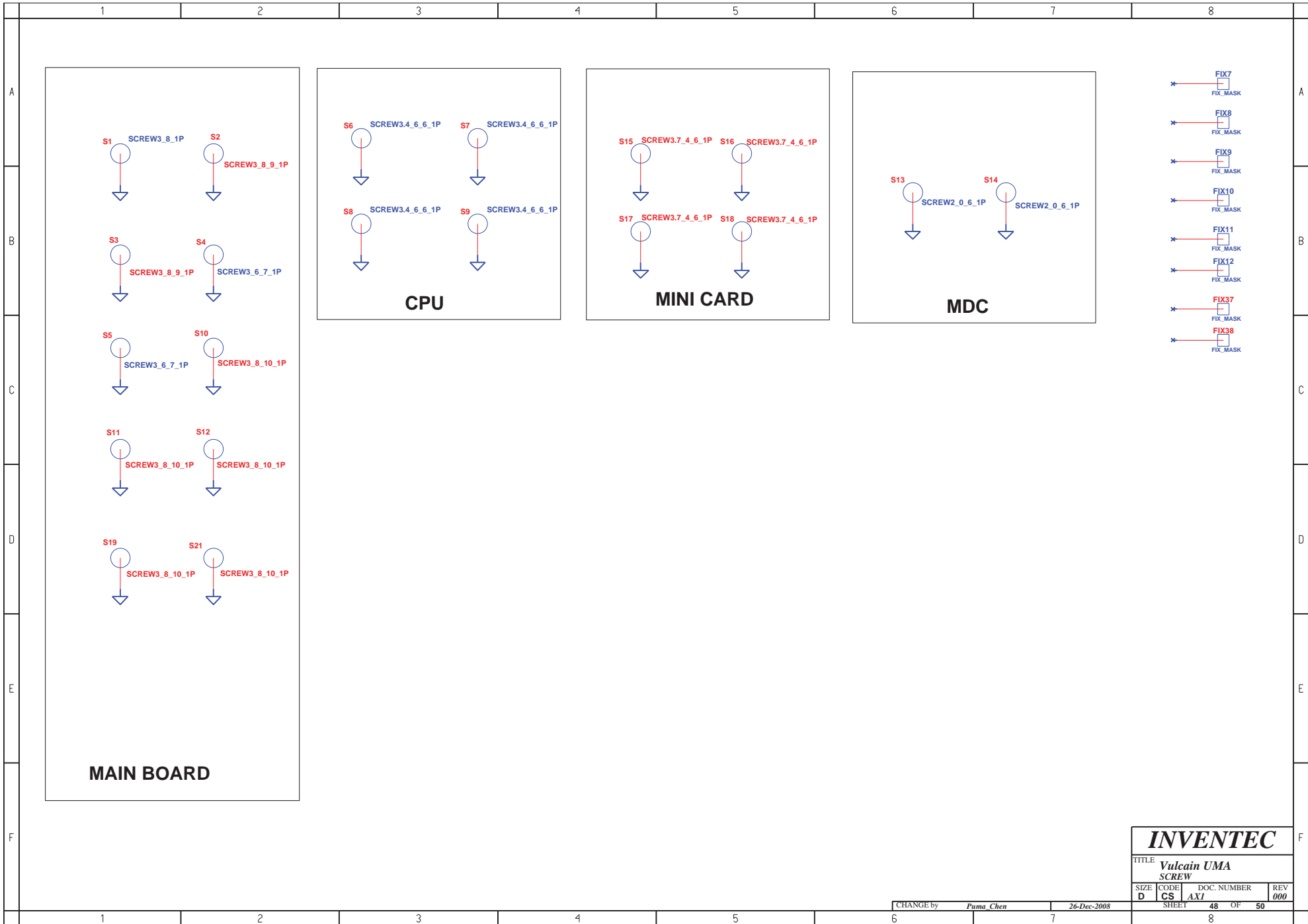
INVENTEC			
TITLE Vulcain UMA MINICARD & BT CONN			
SIZE D	CODE CS	DOC. NUMBER AX1	REV 000
CHANGE by Pama Chen		26-Dec-2008	SHEET 45 OF 50

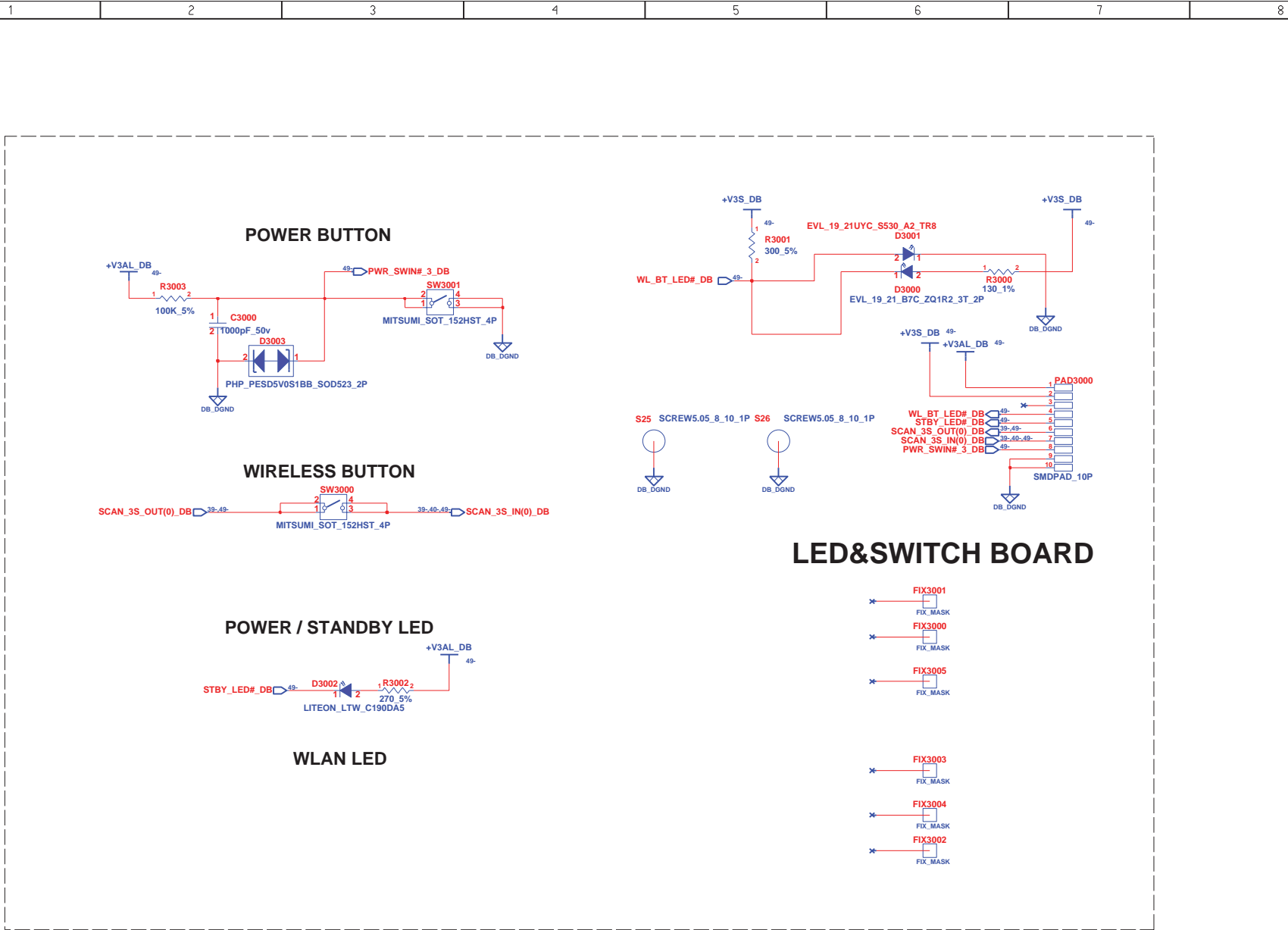


INVENTEC			
TITLE: Vulcain UMA NEW CARD & SD/MMC			
SIZE	CODE	DOC. NUMBER	REV
D	CS	AXI	000



INVENTEC			
TITLE Vulcain UMA BUTTON & LED			
SIZE D	CODE CS	DOC. NUMBER AXI	REV 000
CHANGE by <i>Pama Chen</i>		26-Dec-2008	
SHEET 47		OF 50	





SWITCH DAUGHTER BOARD

LED&SWITCH BOARD

- ★ FIX3001
FIX_MASK
- ★ FIX3000
FIX_MASK
- ★ FIX3005
FIX_MASK
- ★ FIX3003
FIX_MASK
- ★ FIX3004
FIX_MASK
- ★ FIX3002
FIX_MASK

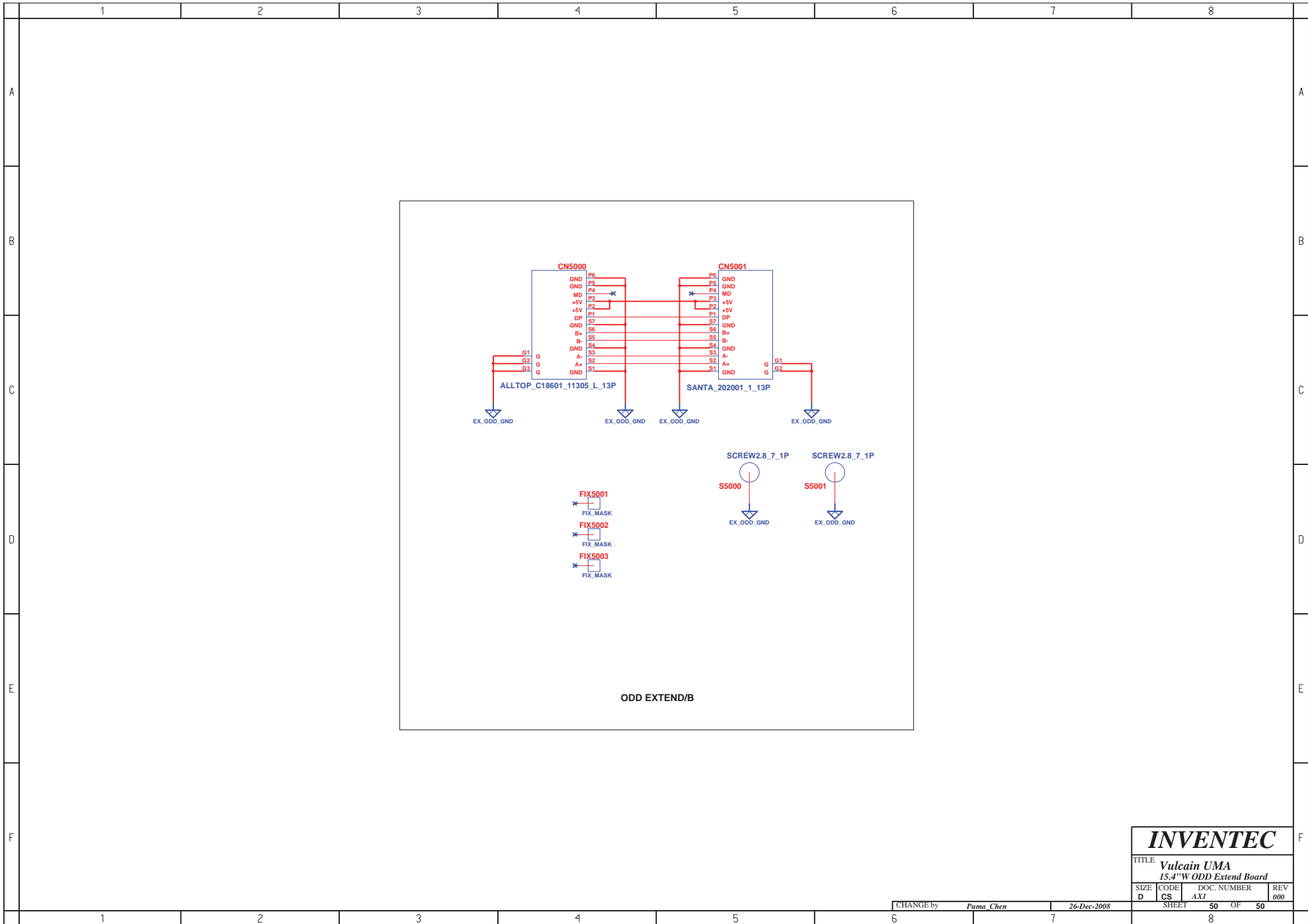
INVENTEC

TITLE
**Vulcain UMA
SWITCH Board**

SIZE D	CODE CS	DOC. NUMBER AXI	REV 000
-----------	------------	--------------------	------------

CHANGE by *Pama Chen* 26-Dec-2008

SHEET 49 OF 50



INVENTEC

TITLE
Vulcain UMA
 15.4" W ODD Extend Board

SIZE D	CODE CS	DOC. NUMBER AX1	REV 000
-----------	------------	--------------------	------------

CHANGE by *Pama Chen* 26-Dec-2008

SHEET 50 OF 50