

DAVOS-DF

PV-1-BUILD

2004.11.04

DATE	CHANGE NO.	REV

DRAWER	EE	DATE	POWER	DATE	INVENTEC			
DESIGN					TITLE DAVOS-DF			
CHECK								
RESPONSIBLE								
SIZE =	3			VER :	SIZE	CODE	DOC. NUMBER	REV
FILE NAME :	XXXX-XXXXXX-XX				A3	CS	PC9603	A01
P/N	XXXXXXXXXXXX				SHEET	1	OF	65
							8	

TABLE OF CONTENTS

PAGE	
5- DC& BATTERY CHARGER	
6- SELECT & BATTERY CONN	
7- SYSTEM POWER(3V/5V)	
8- D/B SYSTEM POWER(+VCCP)	
9- SYSTEM POWER(+V2.5/+V1.5A)	
10- D/B SYSTEM POWER(+V1.25S)	
11- CPU POWER(VCC_CORE)	
12- BLANK	
13- POWER(SLEEP)	
14- POWER(SEQUENCE)	
15- CLOCK_GENERATOR	
16- DOTHAN-1	
17- DOTHAN-2	
18- DOTHAN-3	
19- DOTHAN-4	
20- THERMAL&FAN CONTROLLER	
21- ALVISO-1	
22- ALVISO-2	
23- ALVISO-3	
24- ALVISO-4	
25- ALVISO-5	
26- DDR-DIMM0	

PAGE	
27- DDR-DIMM1	
28- DDR-DAMPING RESISTORS	
29- DDR-TERMINAL RESISTORS	
30- CRT& MINI DIN	
31- LCD CONN	
32- ICH6-1	
33- ICH6-2	
34- ICH6-3	
35- ICH6-4	
36- ICH6-5	
37- KBC	
38- FWH	
39- INT. KB CONN & TOUCHPAD	
40- SUPER I/O	
41- SERIAL PORT & IR	
42- PARALLEL PORT	
43- AC97 CODEC	
44- EQ, MIC & HP JACK	
45- AUDIO AMP	
46- HDD CONN	
47- OPTICAL DRIVE CONN	
48- USB CONN	

PAGE	
49- CARDBUS CONTROLL	
50- 6 IN 1 SLOT DAUGHTOR BOARD	
51- 1394 JACK	
52- PC CARD SLOT	
53- MINIPCI CONN	
54- 10/100/1000 NIC	
55- BLANK	
56- NIC-TRANSFORMER	
57- DOCKING CONN	
58-MDC CONN	
59- BLUETOOTH CONN	
60- LEDS	
61- SWITCH & BUTTON	
62- SCREW	
63- BUTTON & LED DAUGHTER BOARD	
64- CABLES	
65- CHANGE LIST	

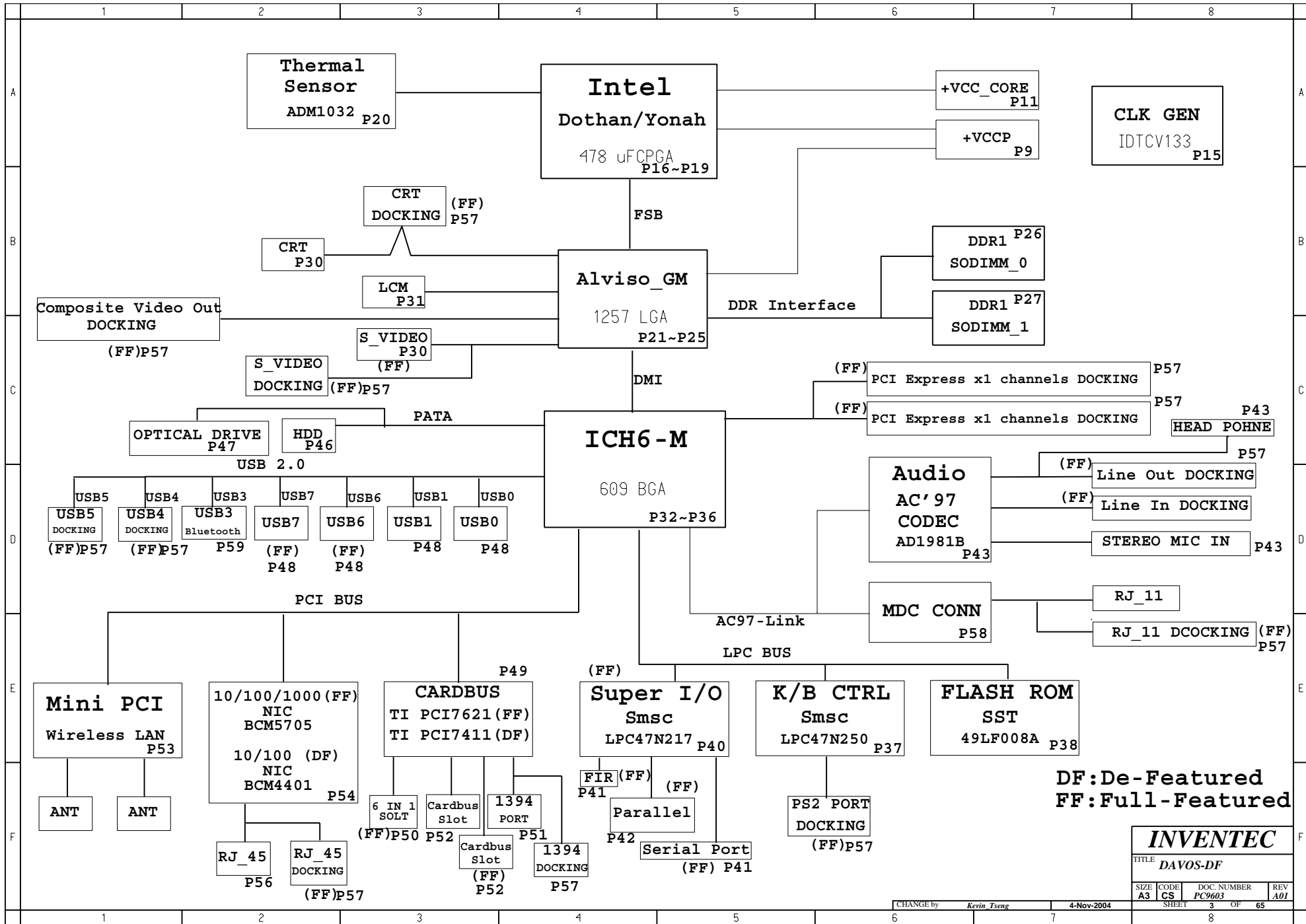
INVENTEC

TITLE **DAVOS-DF**

SIZE A3	CODE CS	DOC. NUMBER PC9603	REV A01
-------------------	-------------------	------------------------------	-------------------

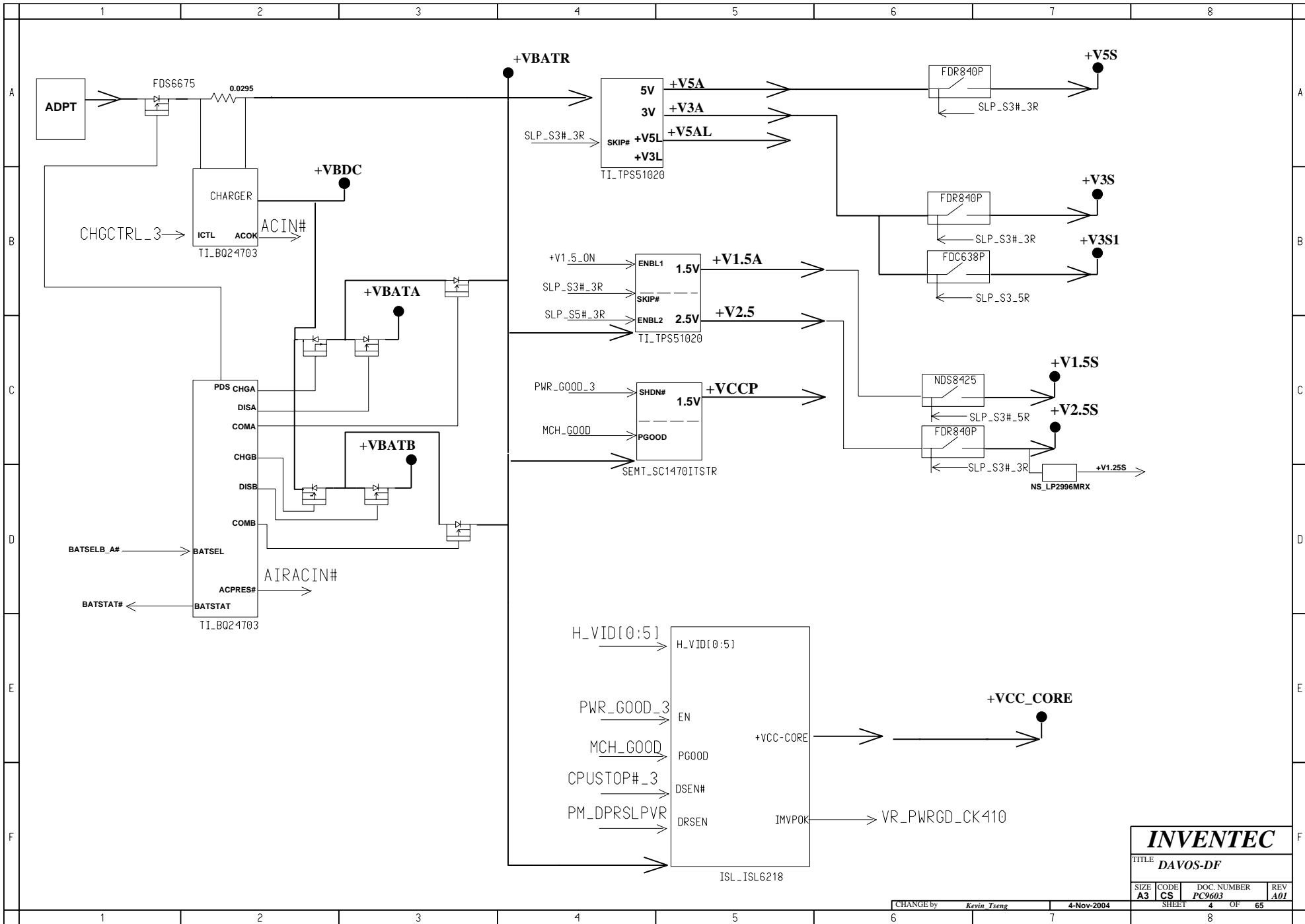
CHANGE by *Kevin Tseng* 4-Nov-2004

SHEET 2 OF 65

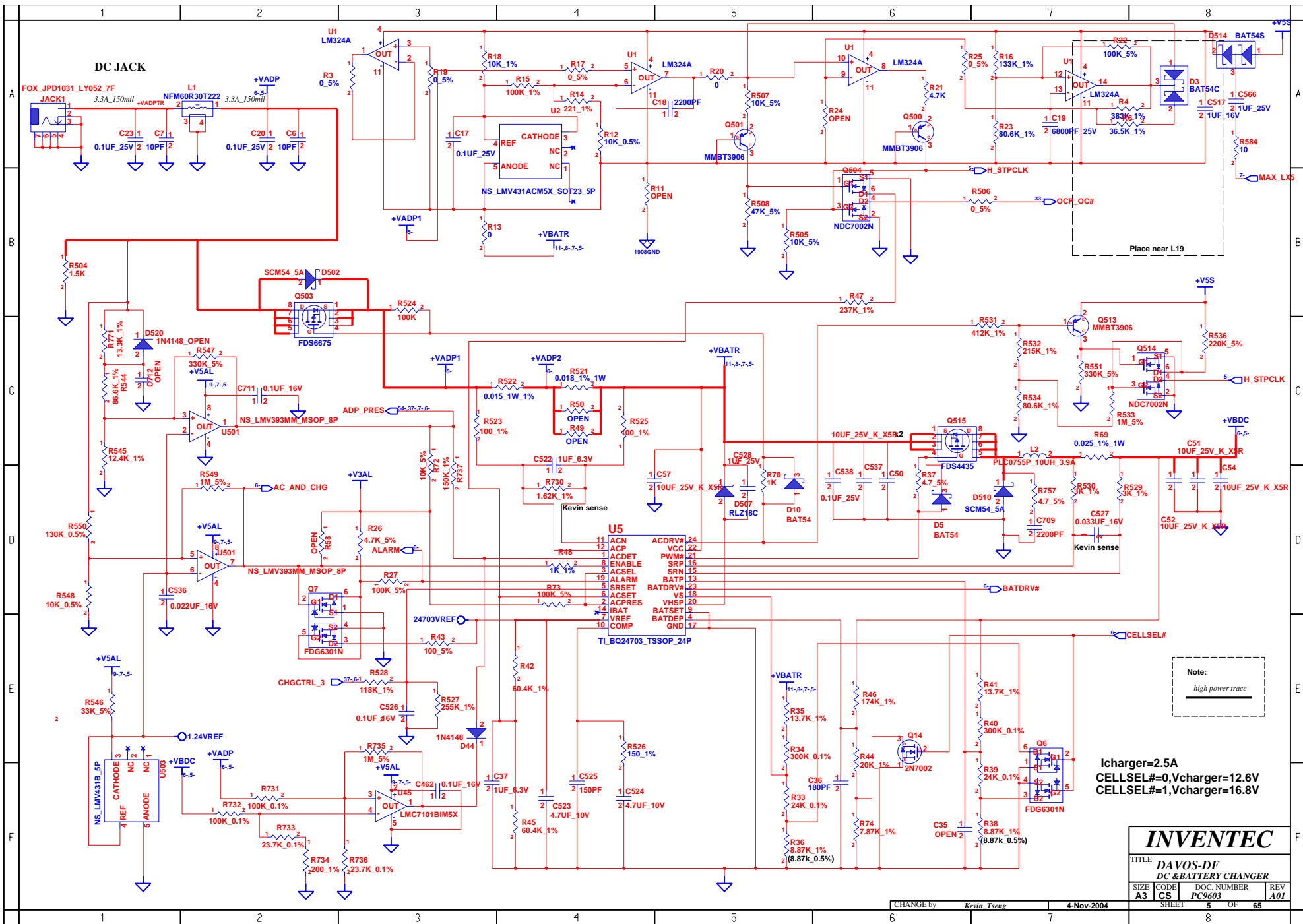


DF: De-Featured
 FF: Full-Featured

INVENTEC			
TITLE DAVOS-DF			
SIZE A3	CODE CS	DOC. NUMBER PC9603	REV A01
CHANGE by Kevin Tseng		4-Nov-2004	
SHEET 3		OF 65	



INVENTEC			
TITLE DAVOS-DF			
SIZE A3	CODE CS	DOC. NUMBER PC9603	REV A01
CHANGE by <i>Kevin Tseng</i>		4-Nov-2004	
SHEET 4		OF 65	



Note:
high power trace

Icharger=2.5A
CELLSEL#=0, Vcharger=12.6V
CELLSEL#=1, Vcharger=16.8V

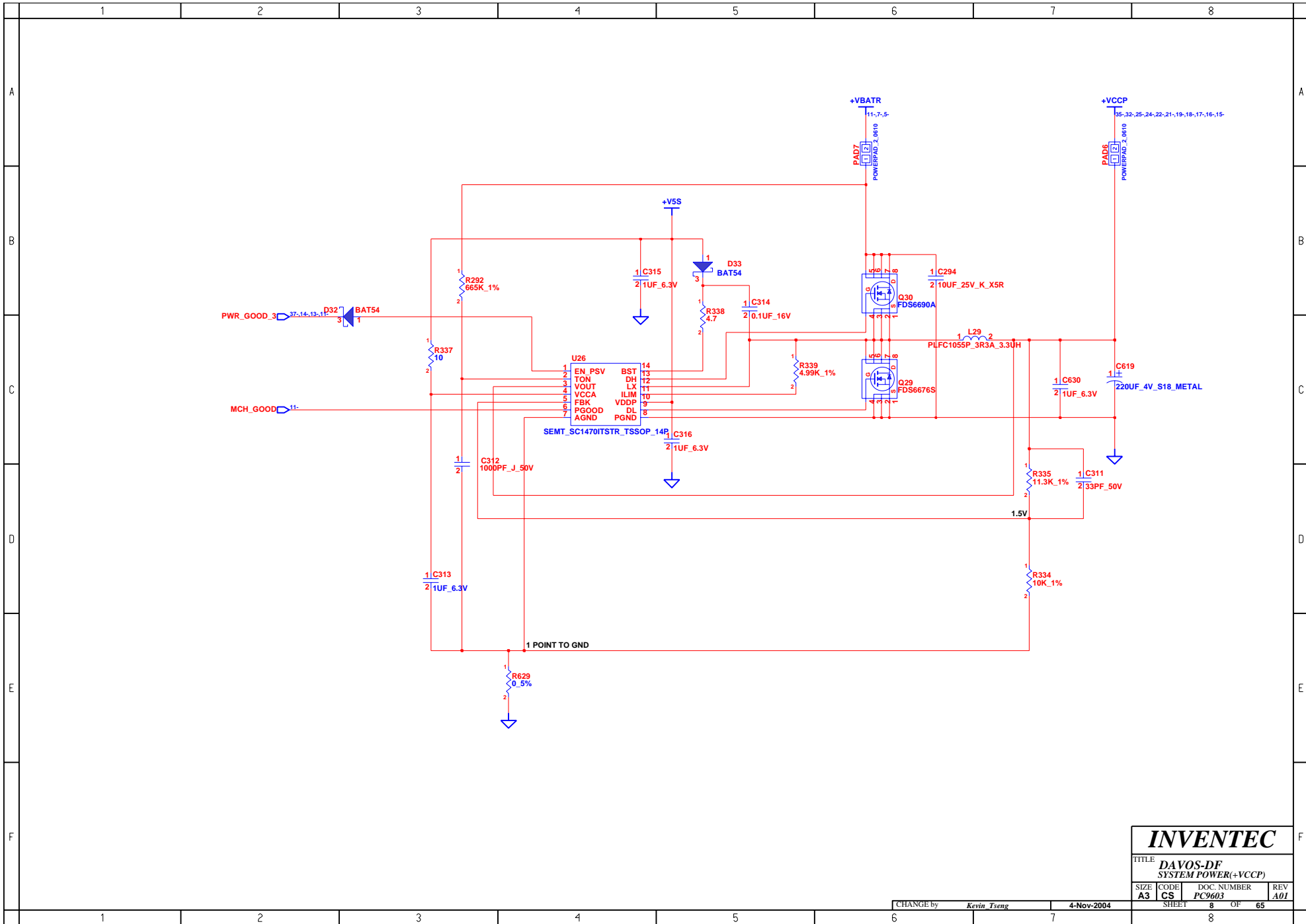
INVENTEC

TITLE
DAVOS-DF
DC & BATTERY CHARGER

SIZE	CODE	DOC. NUMBER	REV
A3	CS	PC9603	A01

CHANGE by Kevin Tseng 4-Nov-2004

SHEET 5 OF 65

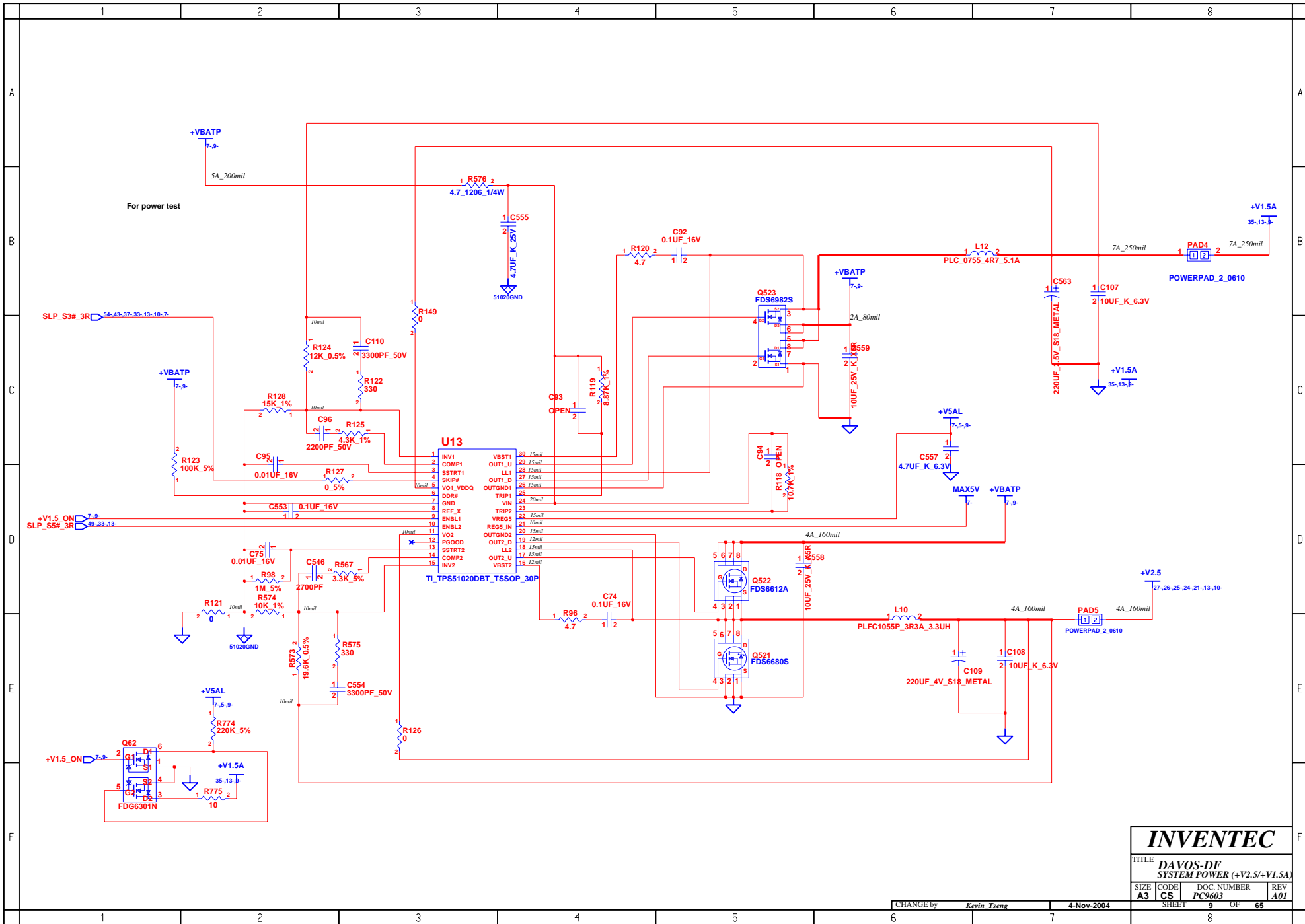


INVENTEC

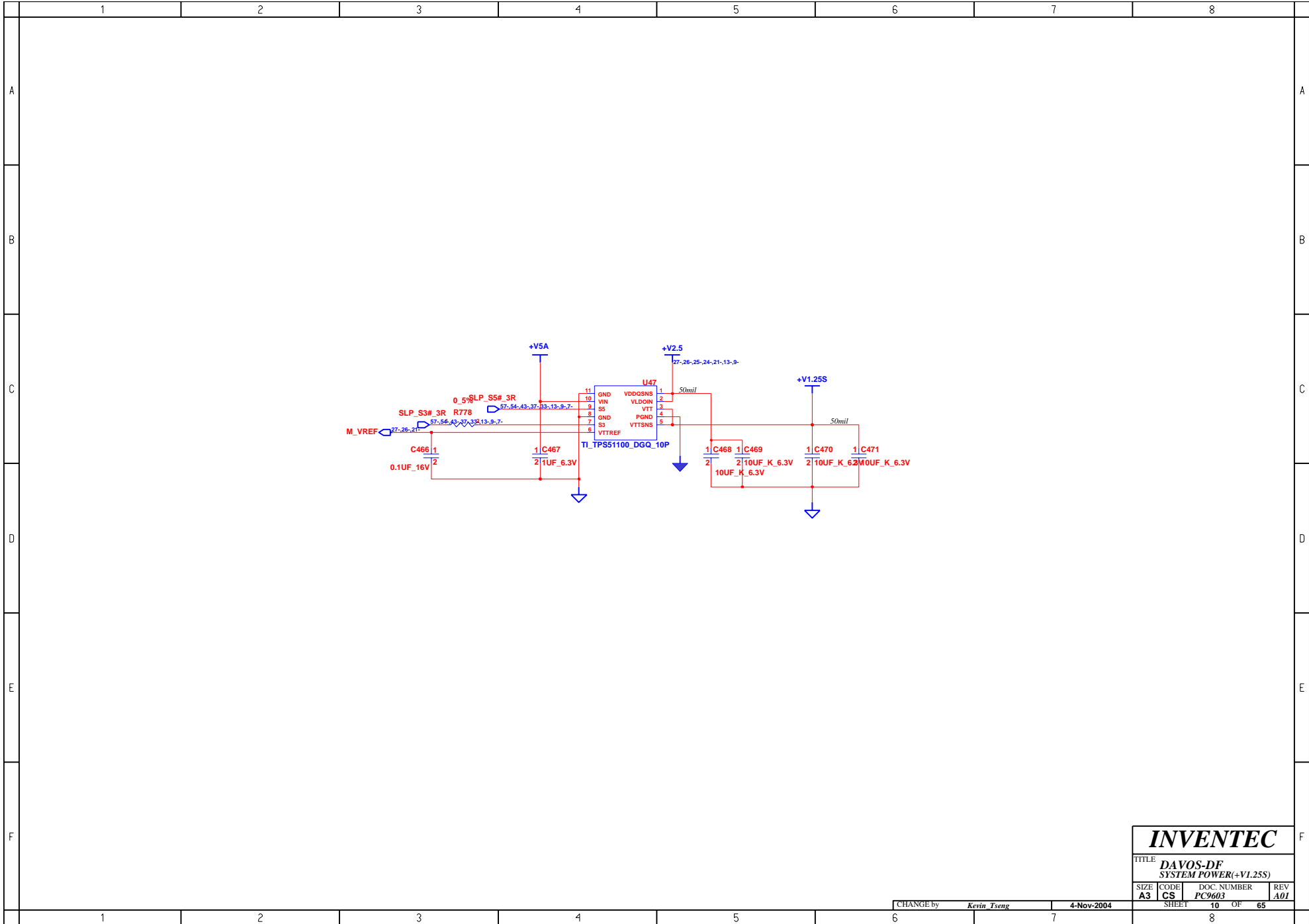
TITLE
DAVOS-DF
 SYSTEM POWER(+VCCP)

SIZE A3	CODE CS	DOC. NUMBER PC9603	REV A01
-------------------	-------------------	------------------------------	-------------------

CHANGE by <i>Kevin Tseng</i>	4-Nov-2004	SHEET 8	OF 65
---------------------------------	------------	------------	----------



INVENTEC				
TITLE DAVOS-DF SYSTEM POWER (+V2.5/+V1.5A)				
SIZE A3	CODE CS	DOC. NUMBER PC9603	REV A01	



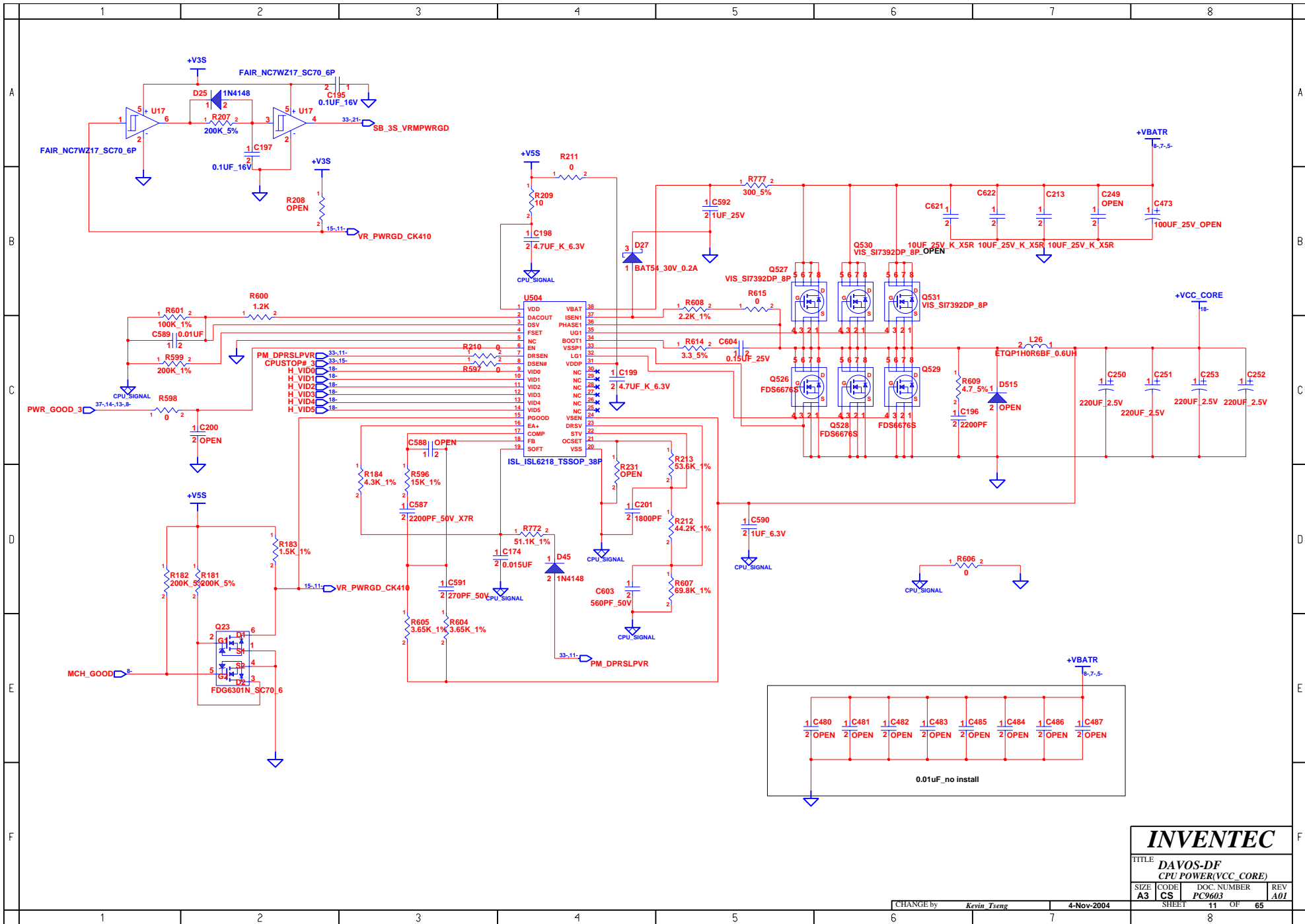
INVENTEC

TITLE
**DAVOS-DF
 SYSTEM POWER(+V1.25S)**

SIZE A3	CODE CS	DOC. NUMBER PC9603	REV A01
-------------------	-------------------	------------------------------	-------------------

CHANGE by *Kevin Tseng* 4-Nov-2004

SHEET 10 OF 65



INVENTEC

TITLE
DAVOS-DF
CPU POWER(VCC CORE)

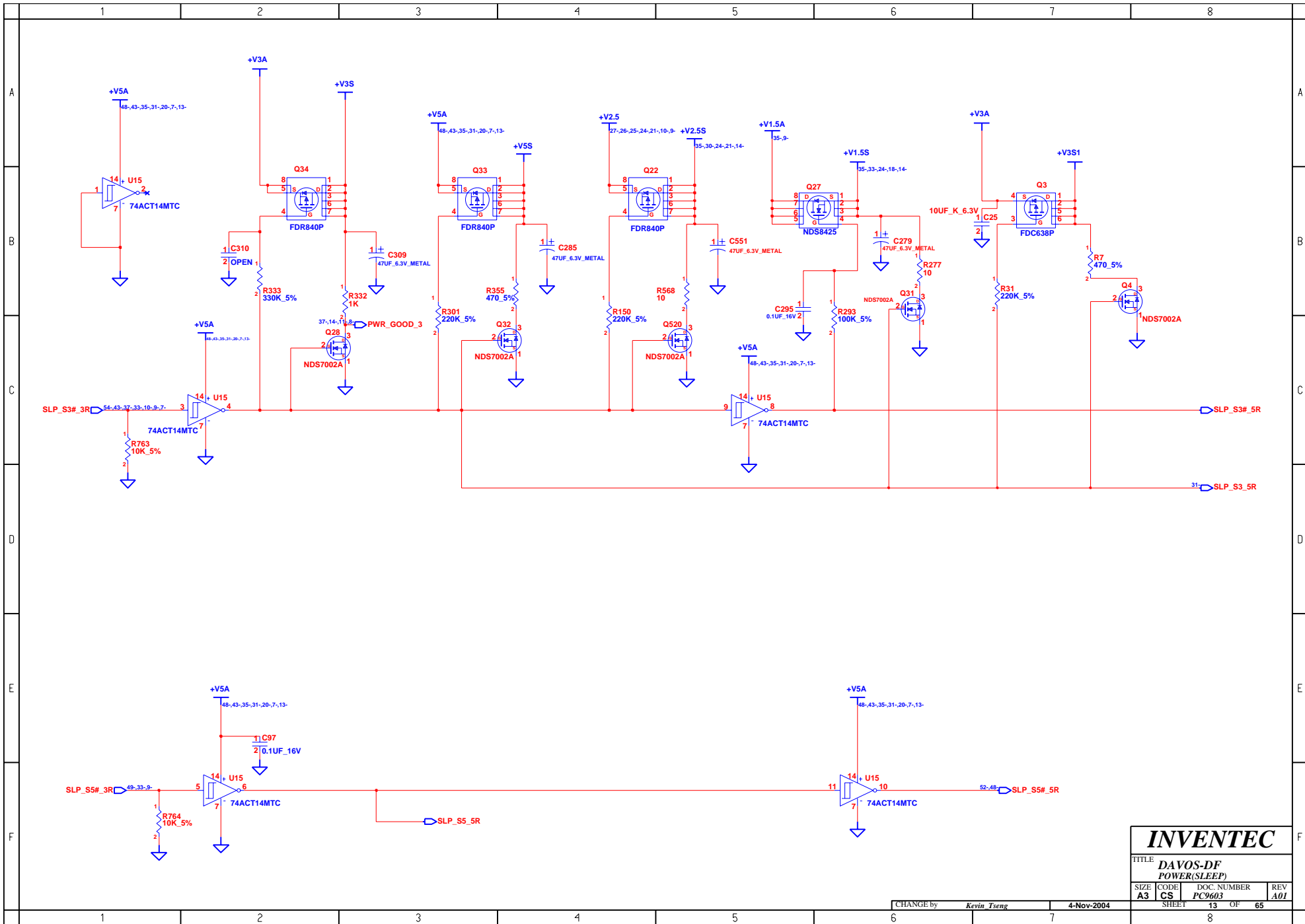
SIZE CODE CS DOC NUMBER PC9603 REV A01

CHANGE by Kevin Tseng 4-Nov-2004

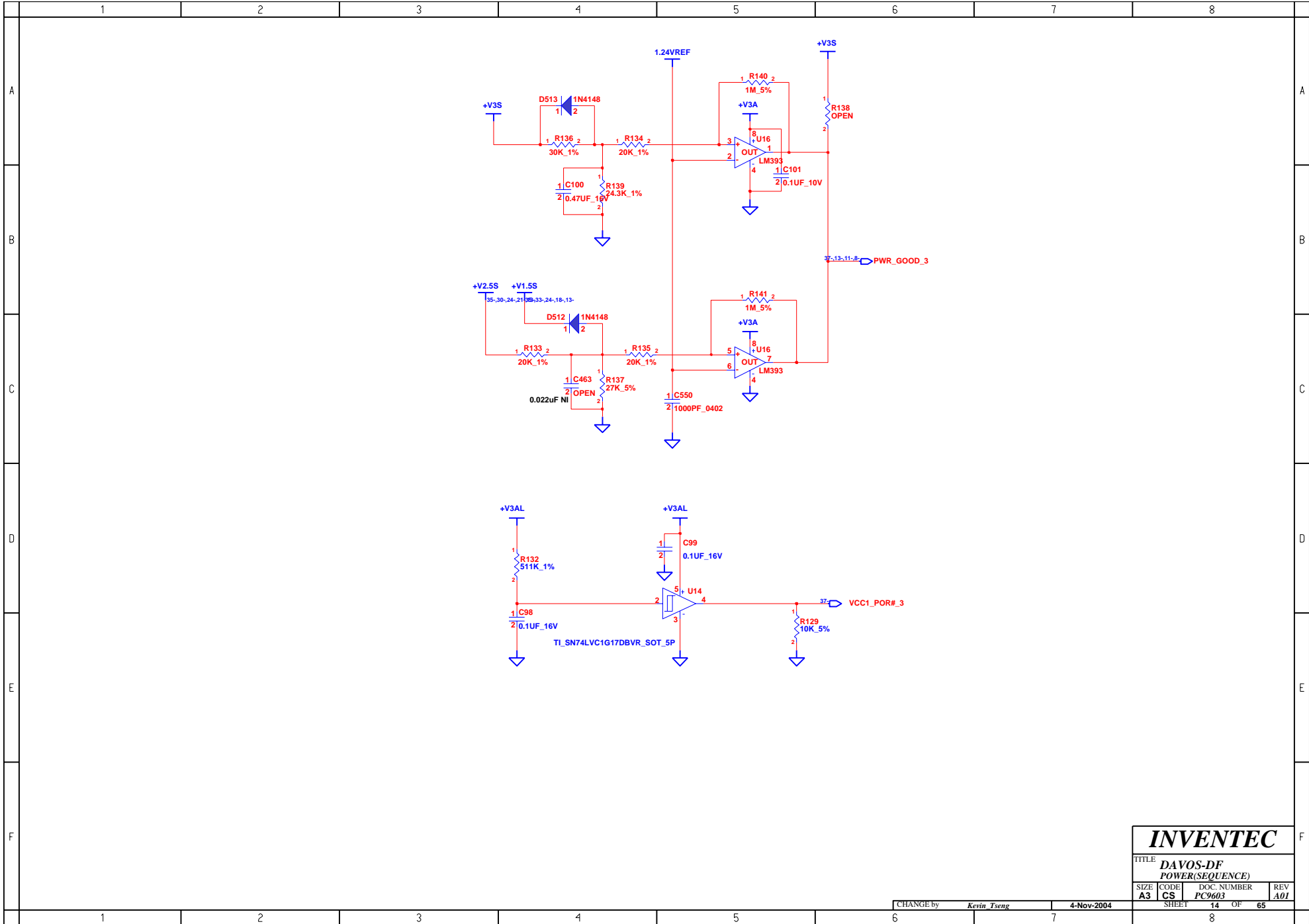
SHEET 11 OF 65

BLANK

INVENTEC			
TITLE DAVOS-DF			
SIZE	CODE	DOC. NUMBER	REV
A3	CS	PC9603	A01
CHANGE by <i>Kevin Tseng</i>		4-Nov-2004	SHEET 12 OF 65



INVENTEC			
TITLE DAVOS-DF POWER(SLEEP)			
SIZE A3	CODE CS	DOC. NUMBER PC9603	REV A01
CHANGE by <i>Kevin Tseng</i>		4-Nov-2004	
SHEET 13		OF 65	

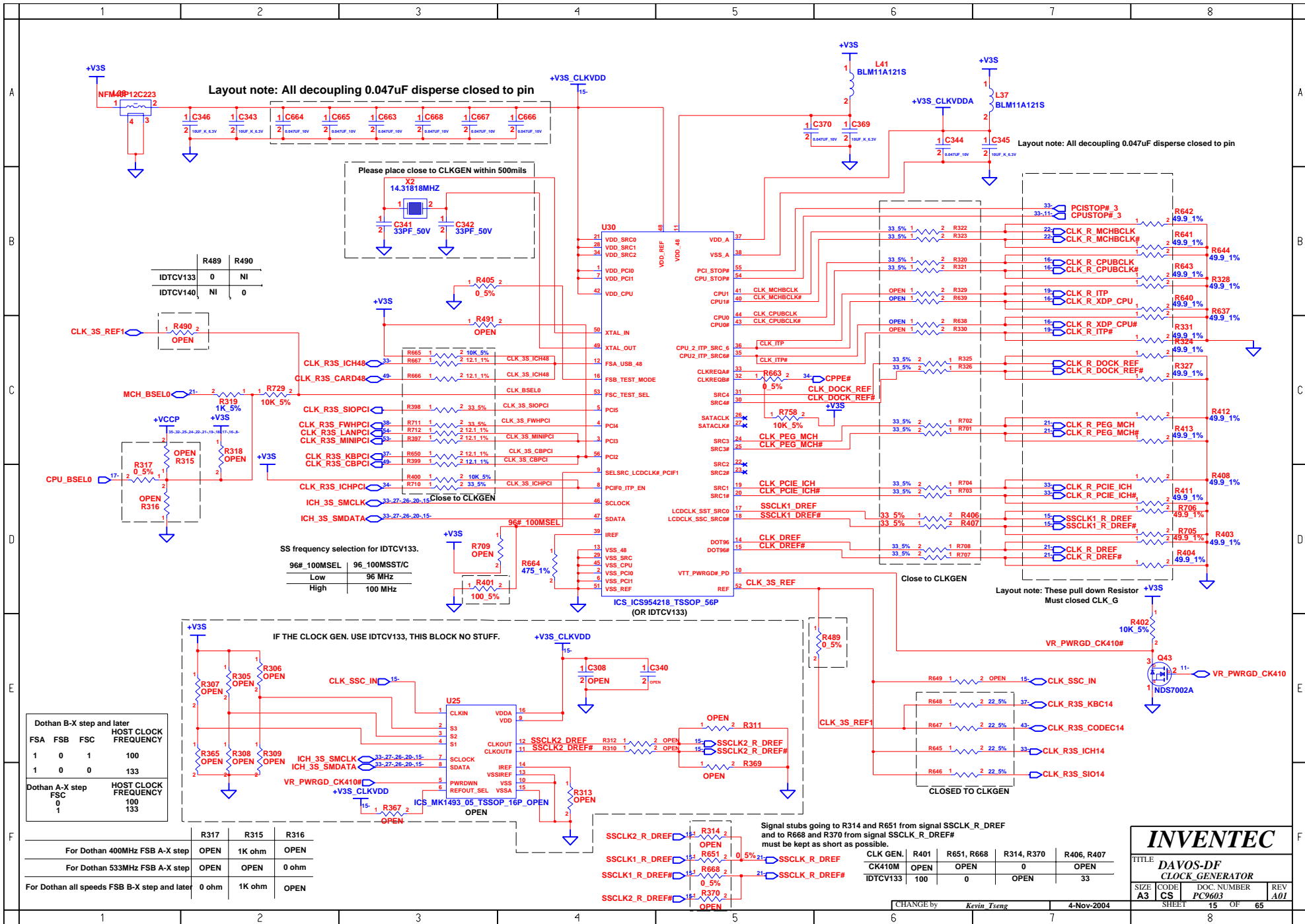


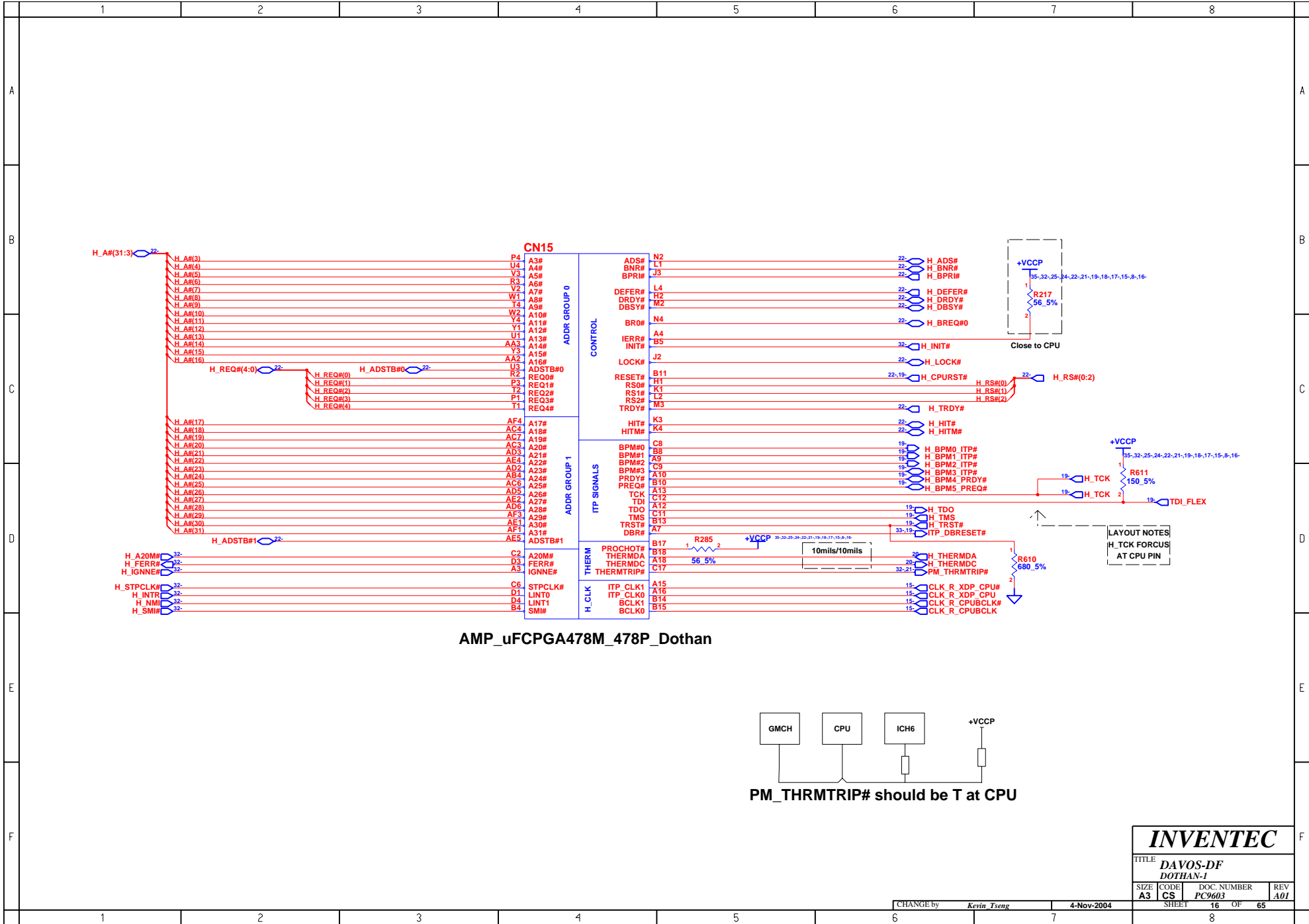
INVENTEC

TITLE
**DAVOS-DF
 POWER(SEQUENCE)**

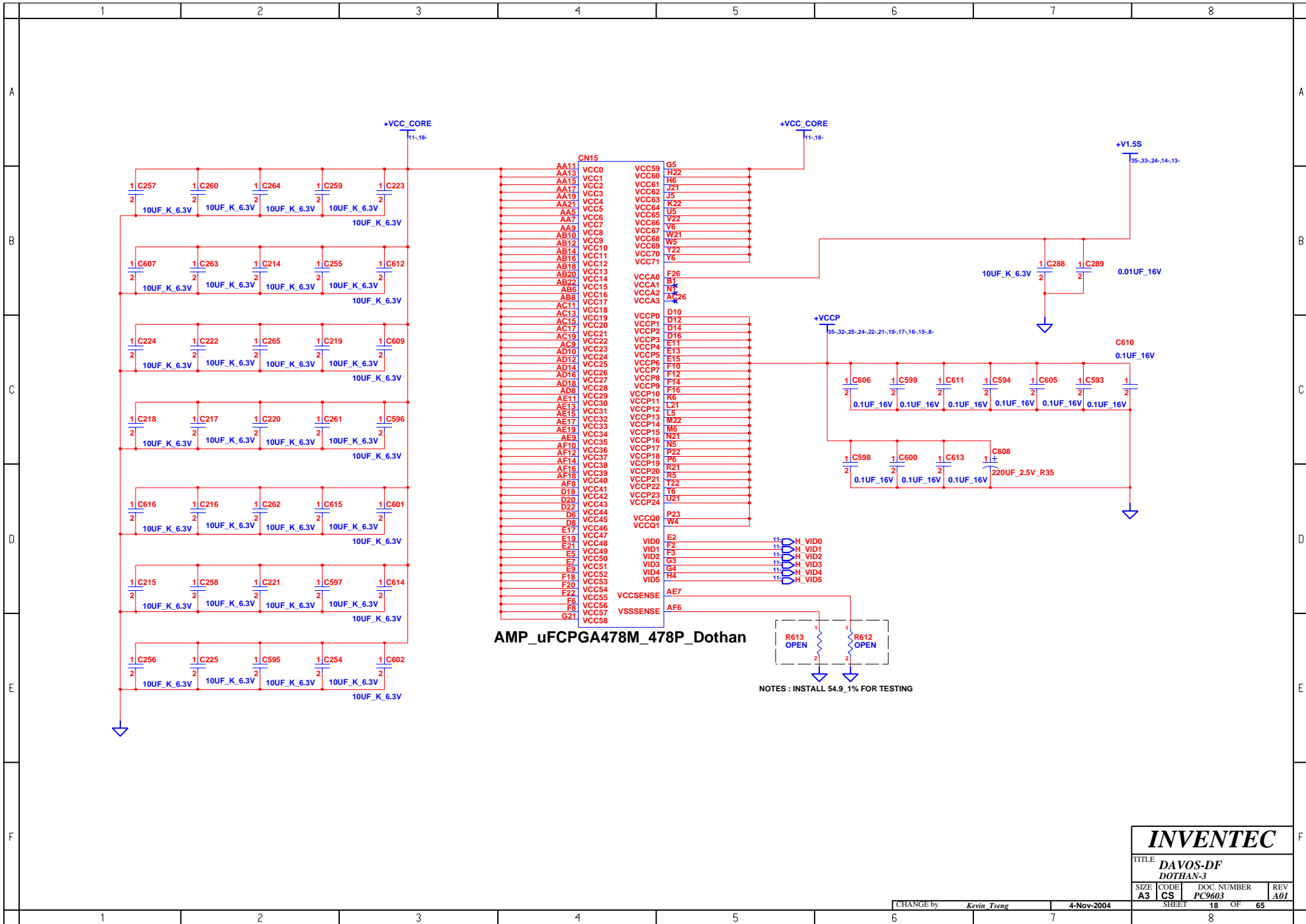
SIZE A3	CODE CS	DOC. NUMBER PC9603	REV A01
-------------------	-------------------	------------------------------	-------------------

CHANGE by *Kevin Tseng* 4-Nov-2004

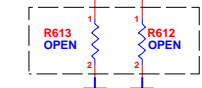




INVENTEC			
TITLE DAVOS-DF DOTHAN-1			
SIZE	CODE	DOC. NUMBER	REV
A3	CS	PC9603	A01

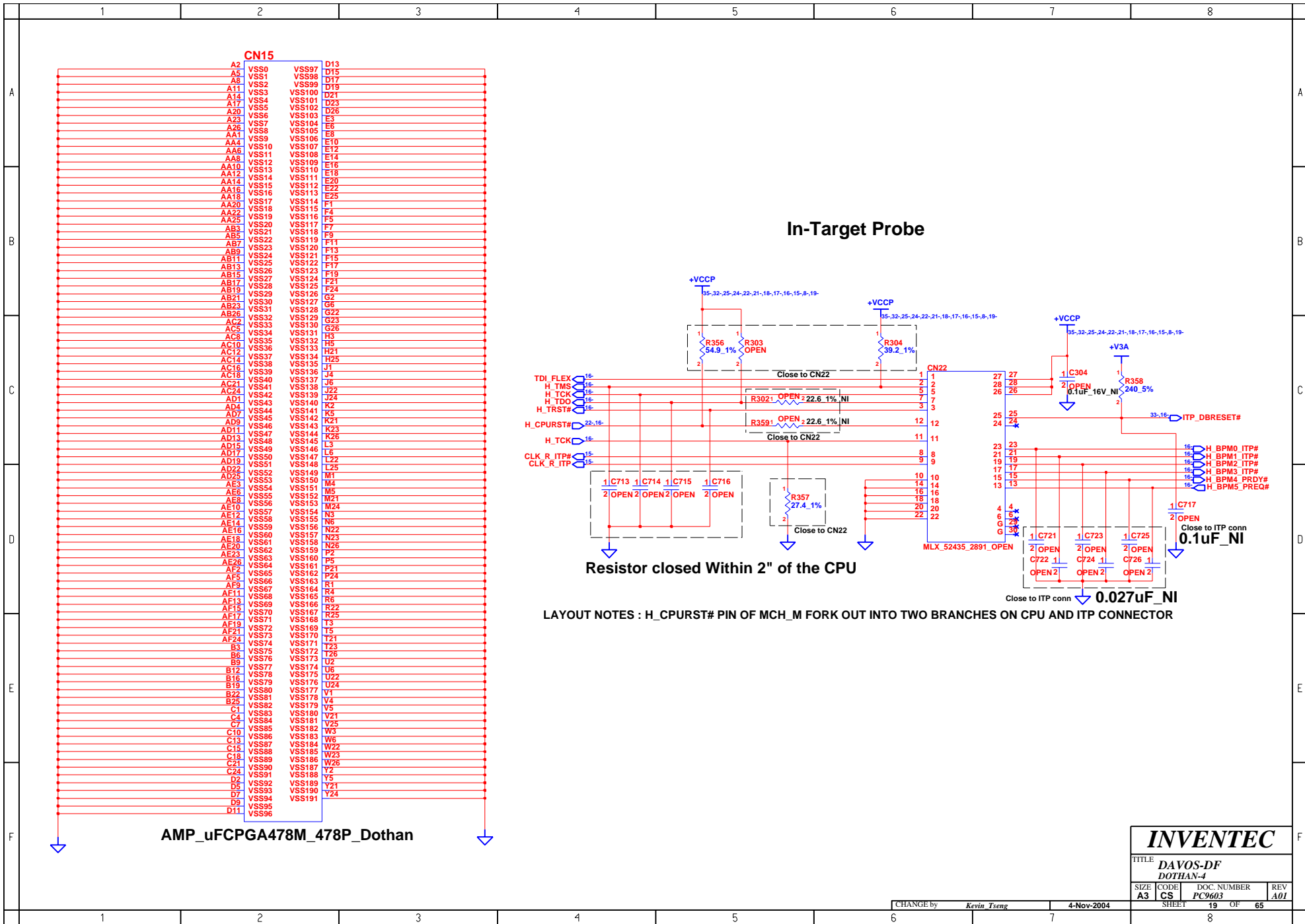


AMP_uFCPGA478M_478P_Dothan



NOTES : INSTALL 54.9_1% FOR TESTING

INVENTEC			
TITLE DAVOS-DF DOTHAN-3			
SIZE A3	CODE CS	DOC. NUMBER PC9603	REV A01
CHANGE by <i>Kevin Tseng</i>		4-Nov-2004	SHEET 18 OF 65

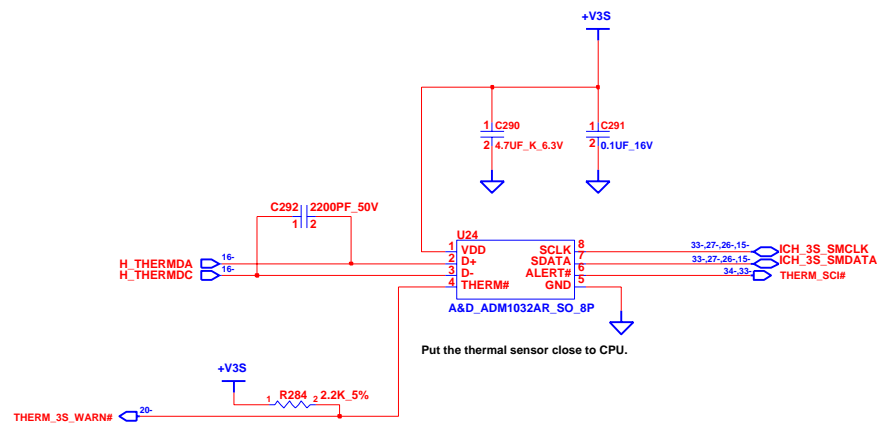
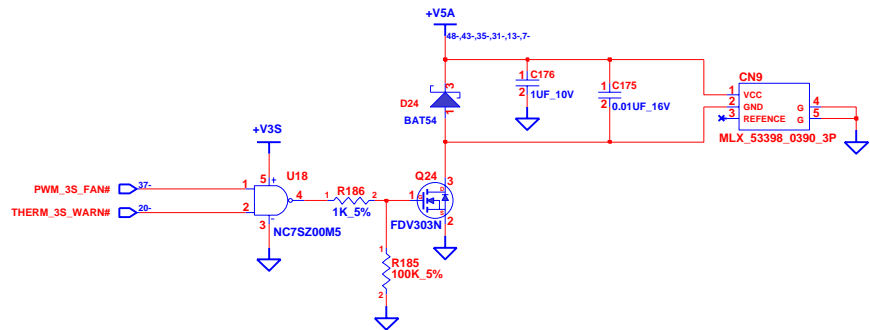


INVENTEC

TITLE			
DAVOS-DF			
DOTHAN-4			
SIZE	CODE	DOC. NUMBER	REV
A3	CS	PC9603	A01

CHANGE by *Kevin Tseng* 4-Nov-2004

SHEET 19 OF 65

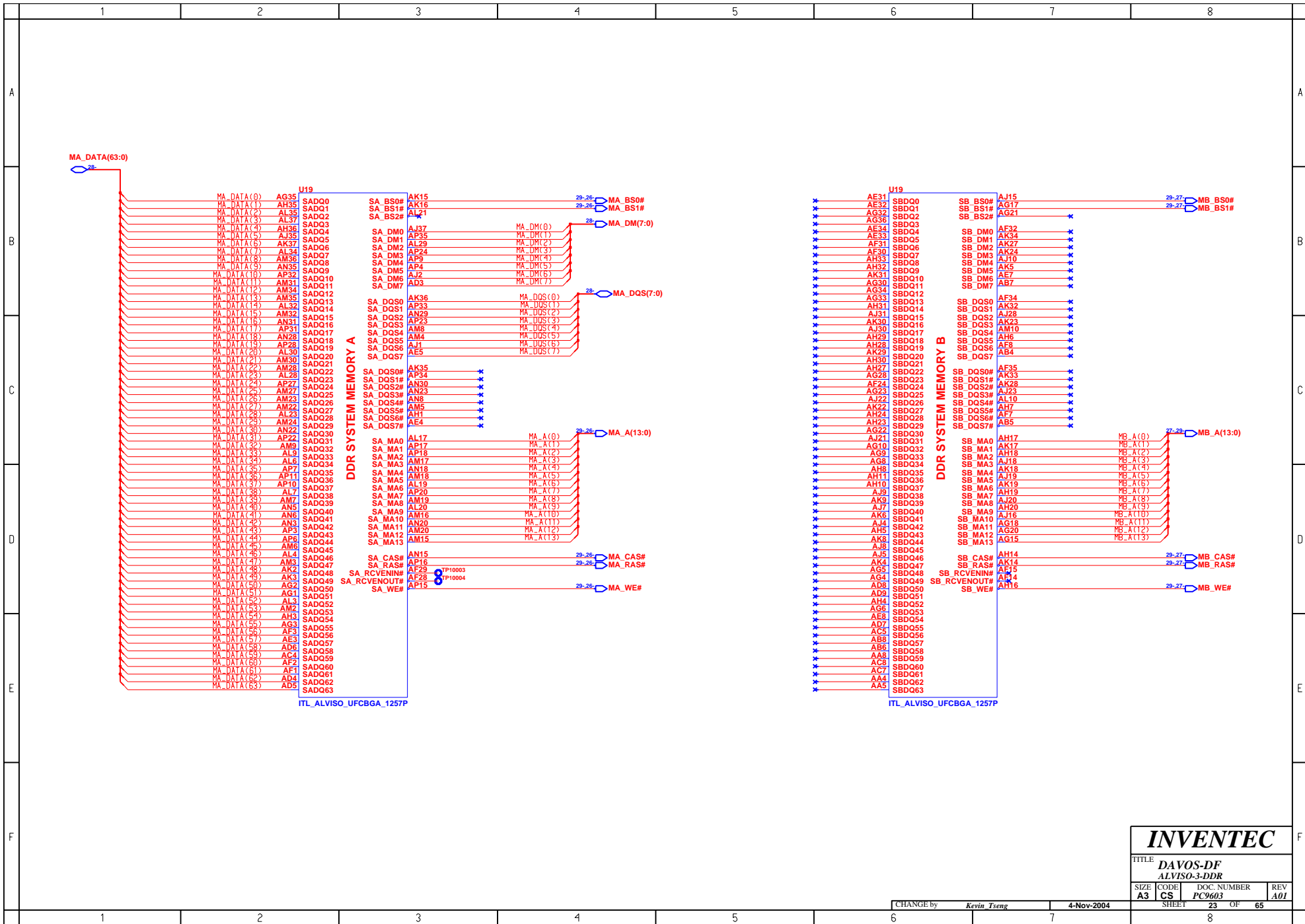


INVENTEC

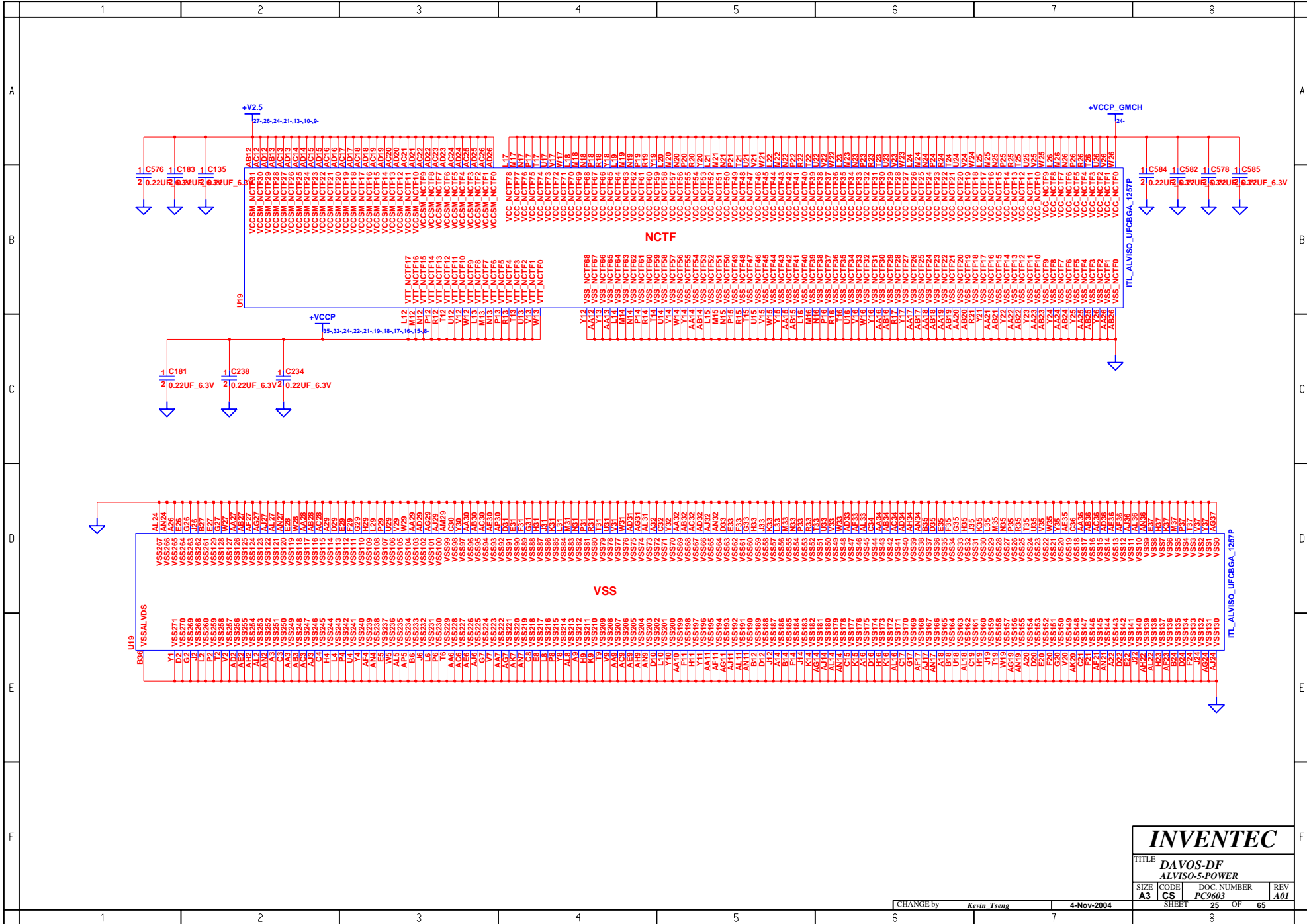
TITLE			
DAVOS-DF			
THERMAL&FAN CONTROLLER			
SIZE	CODE	DOC. NUMBER	REV
A3	CS	PC9603	A01

CHANGE by Kevin Tseng 4-Nov-2004

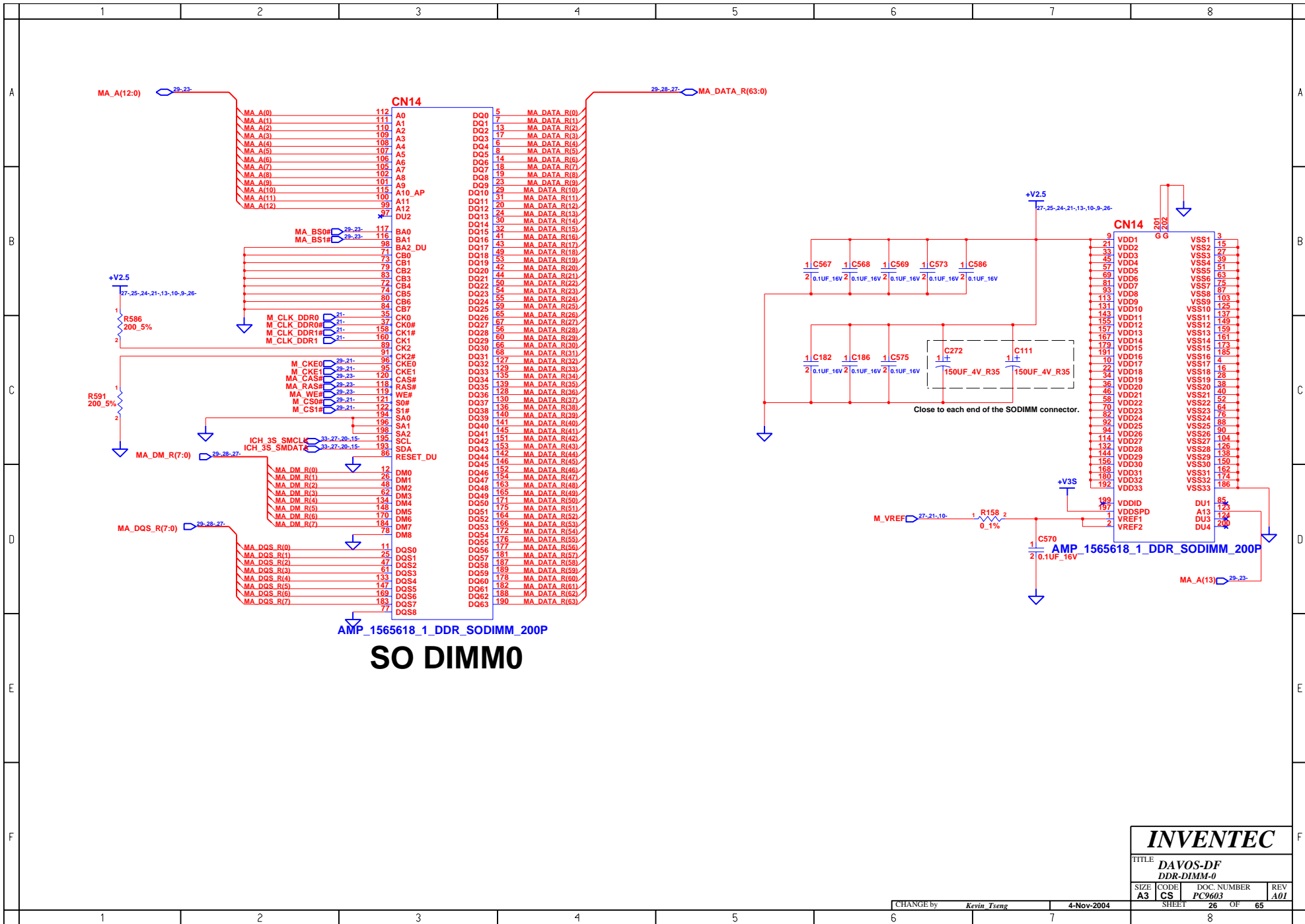
SHEET 20 OF 65



INVENTEC			
TITLE DAVOS-DF ALVISO-3-DDR			
SIZE A3	CODE CS	DOC. NUMBER PC9603	REV A01
CHANGE by <i>Kevin Tseng</i>		4-Nov-2004	
SHEET		23 OF 65	
		8	

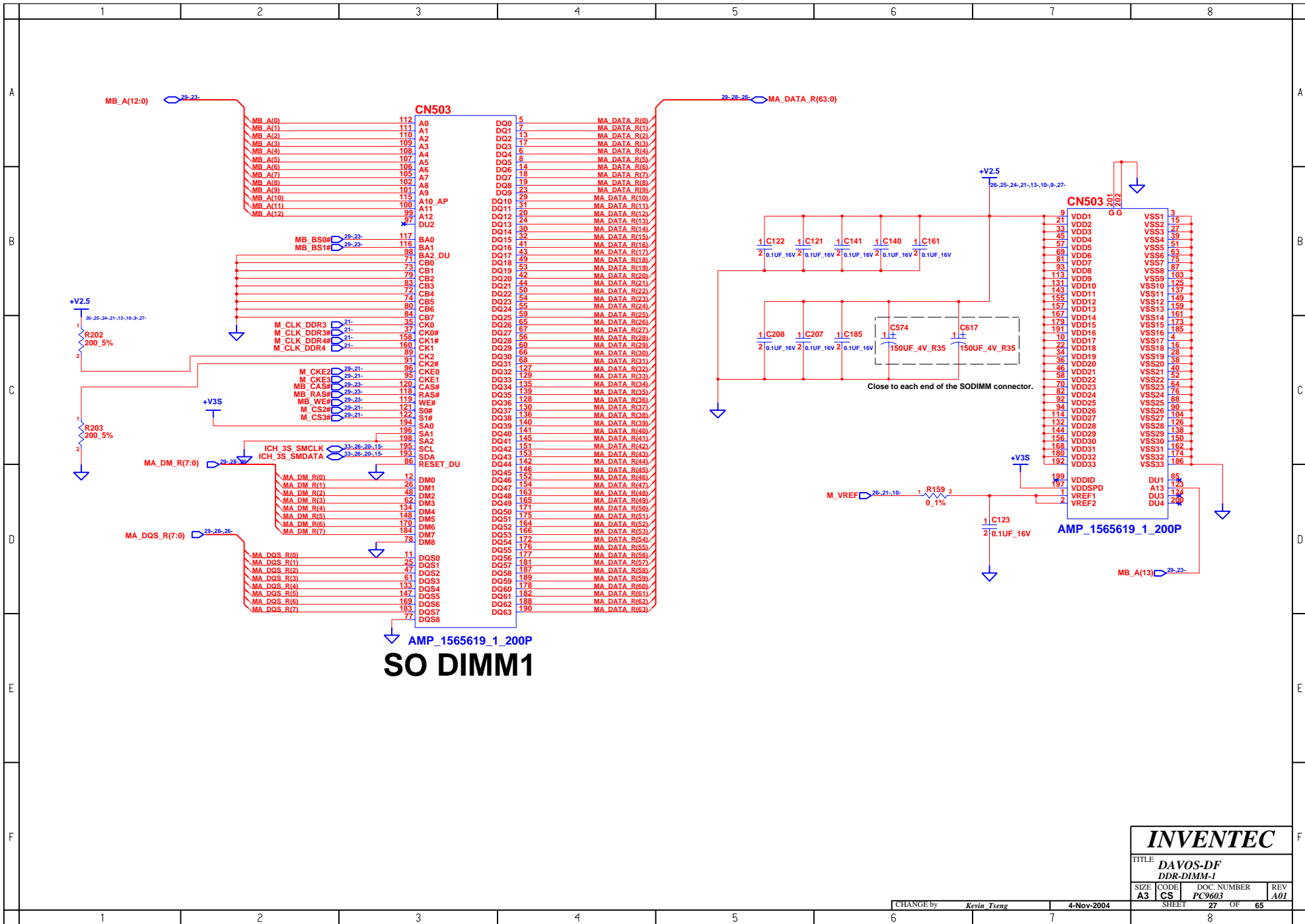


INVENTEC			
TITLE DAVOS-DF ALVISO-5-POWER			
SIZE A3	CODE CS	DOC. NUMBER PC9603	REV A01
CHANGE by <i>Kevin Tseng</i>		4-Nov-2004	
SHEET 25		OF 65	

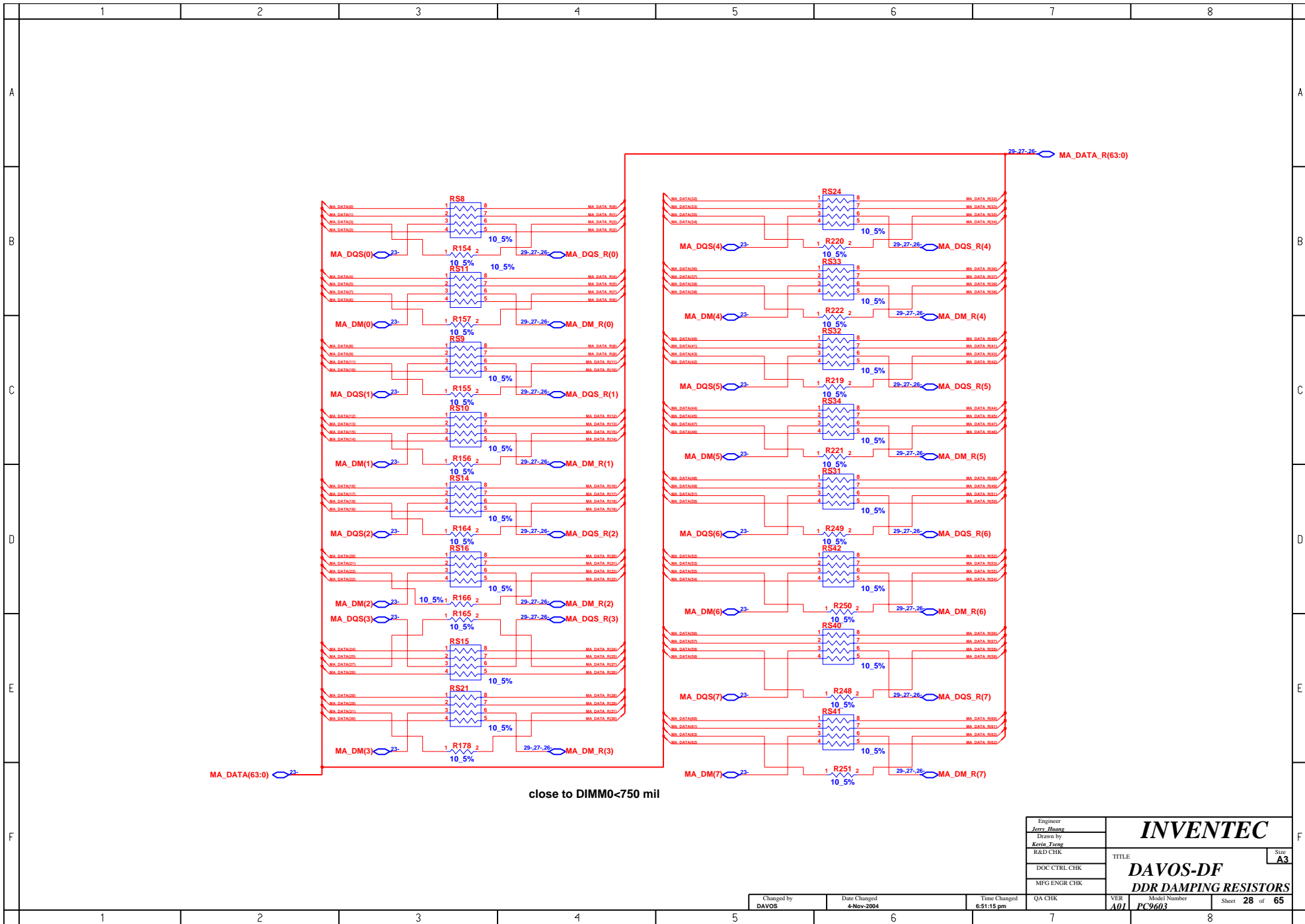


INVENTEC

TITLE			
DAVOS-DF			
DDR-DIMM-0			
SIZE	CODE	DOC. NUMBER	REV
A3	CS	PC9603	A01

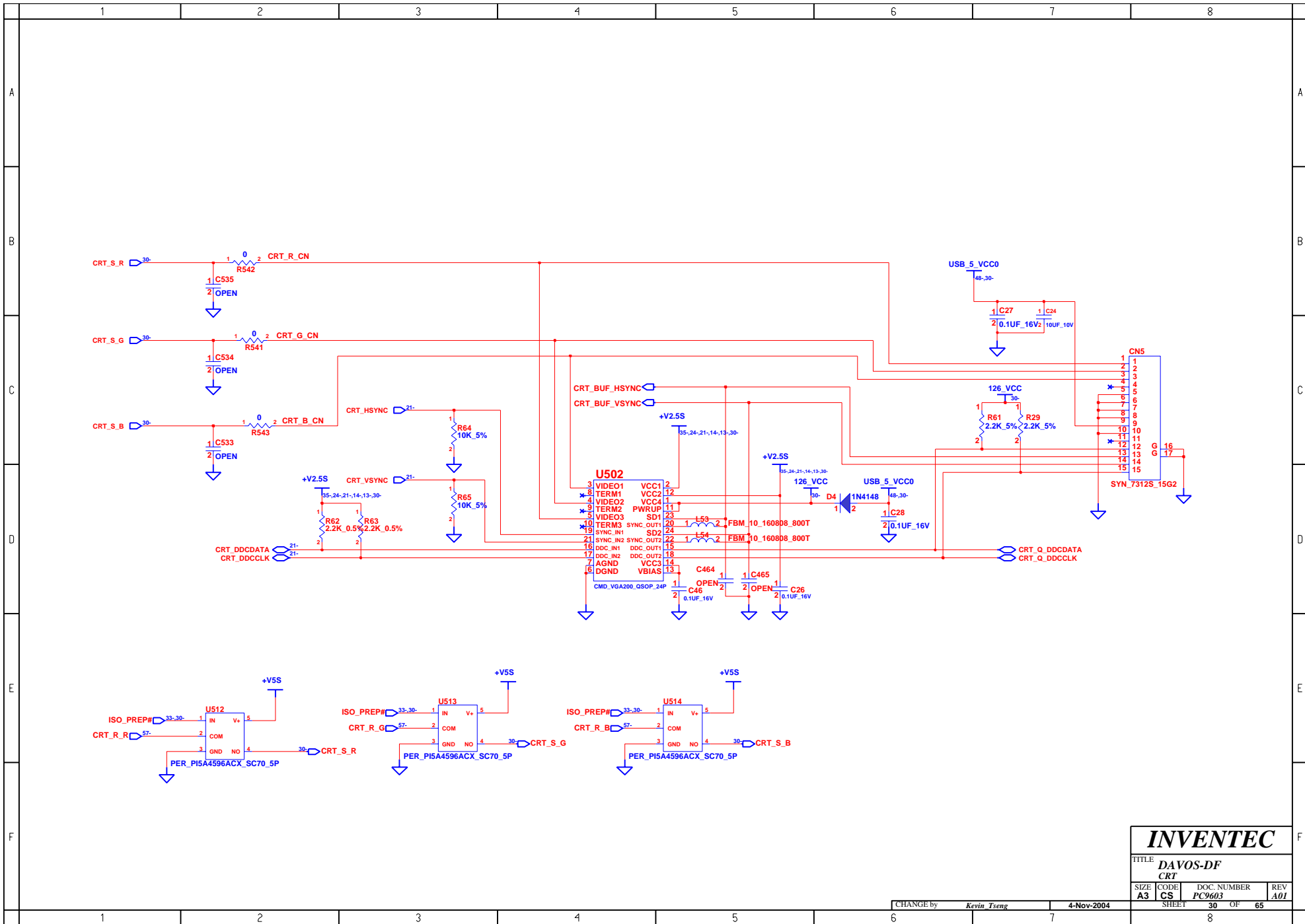


INVENTEC			
TITLE DAVOS-DF DDR-DIMM-1			
SIZE A3	CODE CS	DOC. NUMBER PC9603	REV A01
CHANGE by Kevin Tseng		4-Nov-2004	
SHEET 27		OF 65	



Engineer <i>Jerry Huang</i>	INVENTEC
Drawn by <i>Kevin Tseng</i>	
Re'D CHK	
DOC CTRL CHK	
MFG ENGR CHK	
TITLE DAVOS-DF DDR DAMPING RESISTORS	Size A3

Changed by DAVOS	Date Changed 4-Nov-2004	Time Changed 6:31:15 pm	QA CHK	VER A01	Model Number PC9603	Sheet 28 of 65
----------------------------	-----------------------------------	-----------------------------------	--------	-------------------	-------------------------------	------------------------------

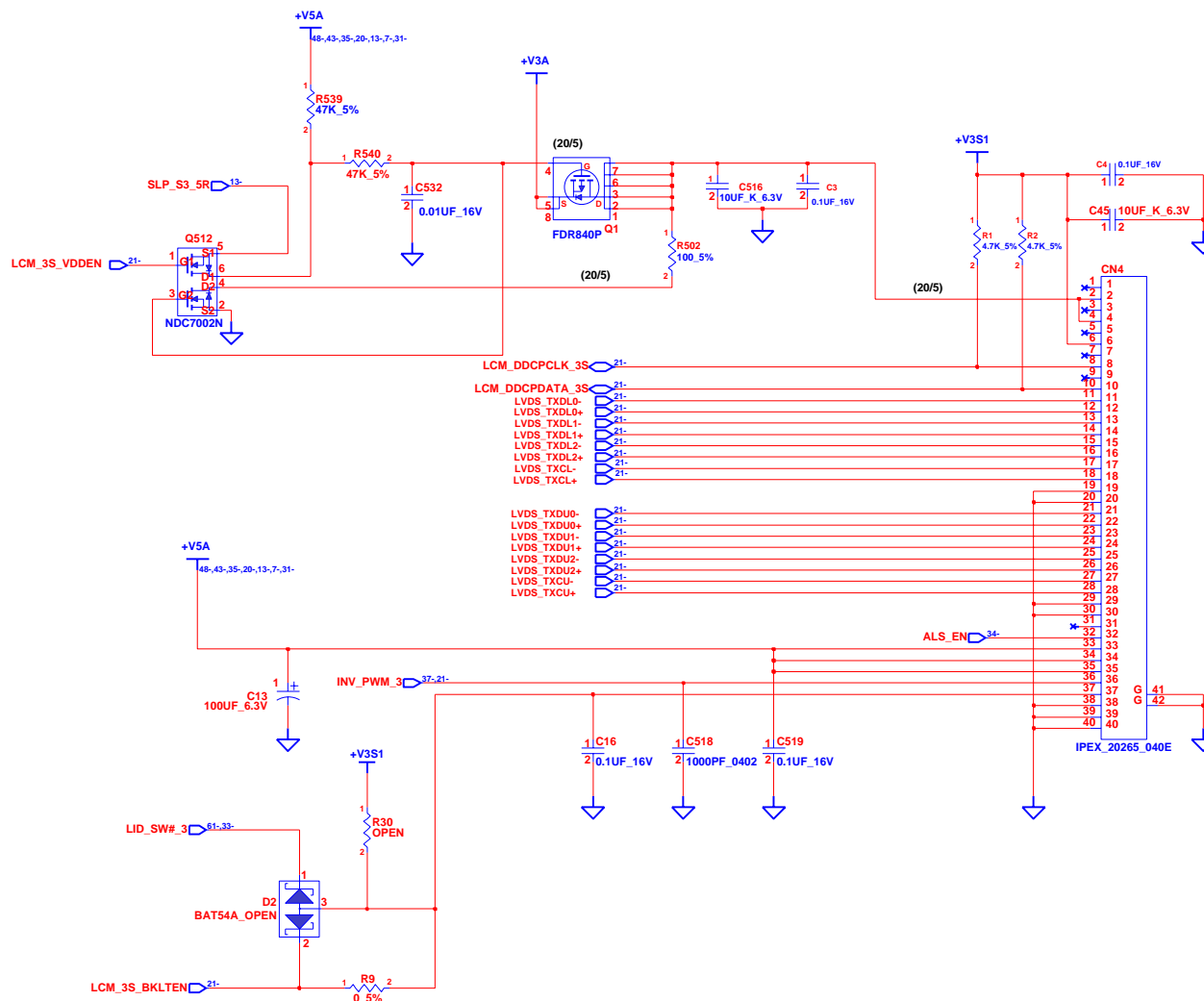


INVENTEC

TITLE			
DAVOS-DF			
CRT			
SIZE	CODE	DOC. NUMBER	REV
A3	CS	PC9603	A01
CHANGE by		SHEET	
Kevin Tseng		30 OF 65	

CHANGE by Kevin Tseng 4-Nov-2004

Place closed to connector

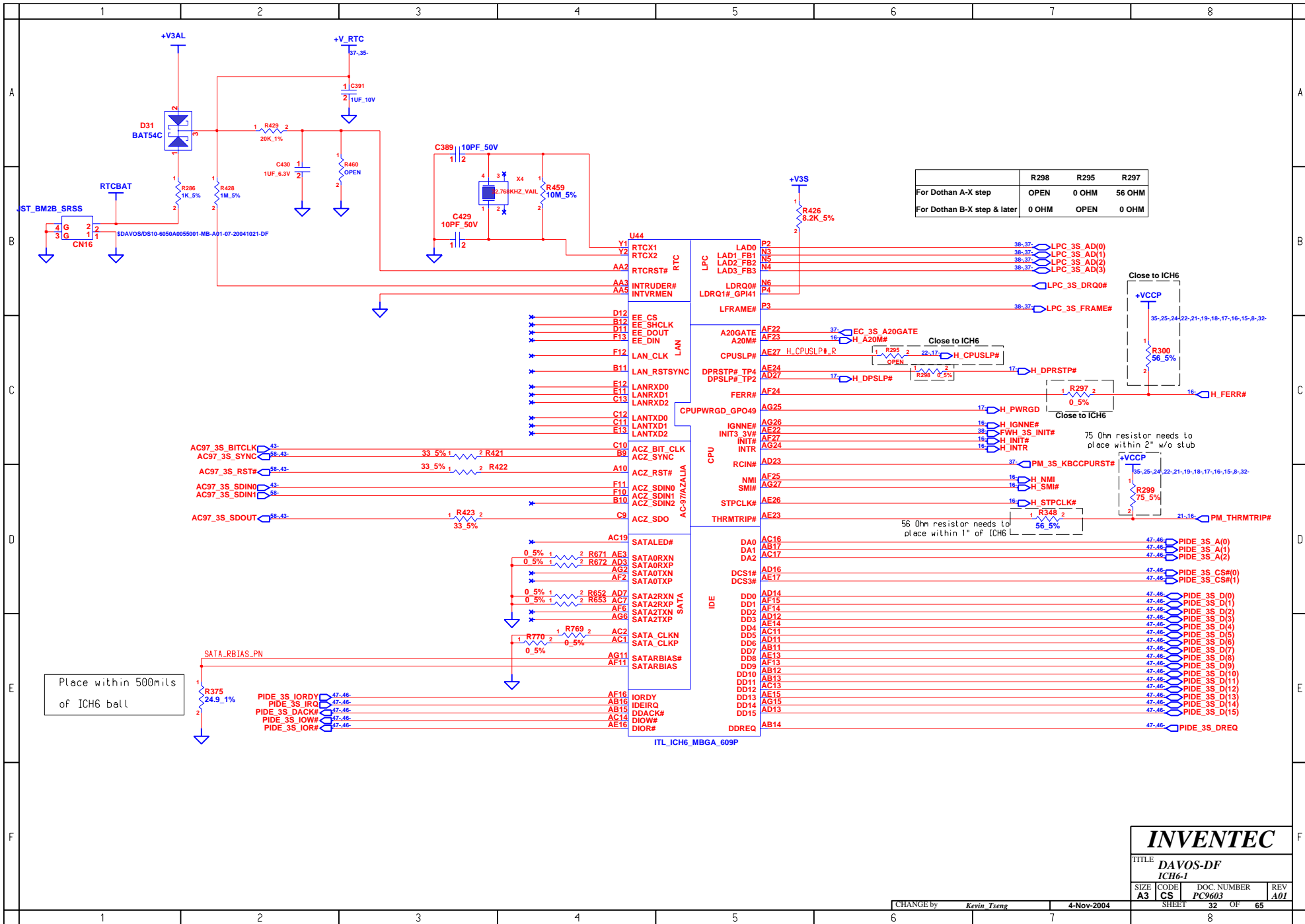


INVENTEC

TITLE			
DAVOS-DF			
LCD CONN			
SIZE	CODE	DOC. NUMBER	REV
A3	CS	PC9603	A01

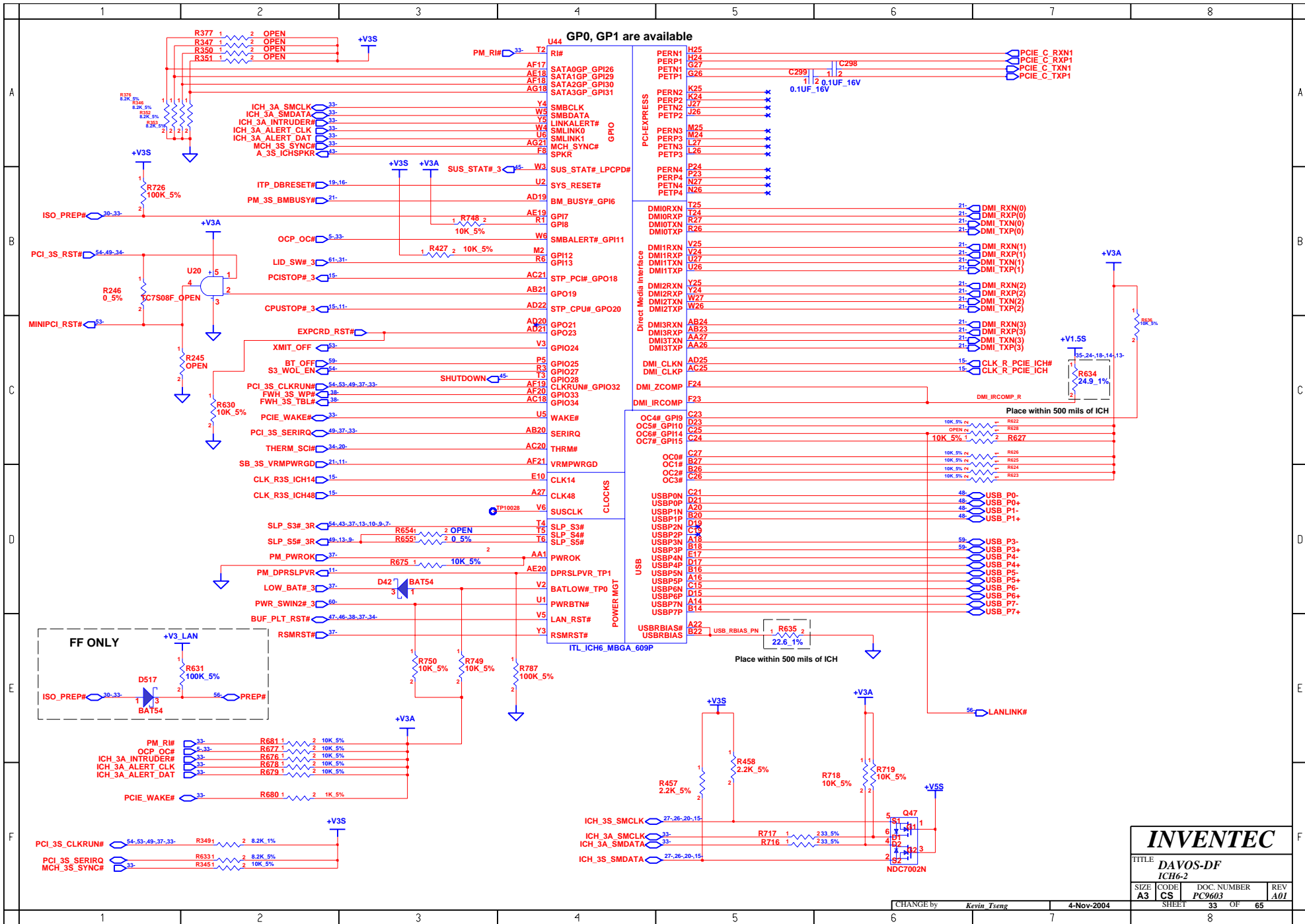
CHANGE by Kevin Tseng 4-Nov-2004

SHEET 31 OF 65

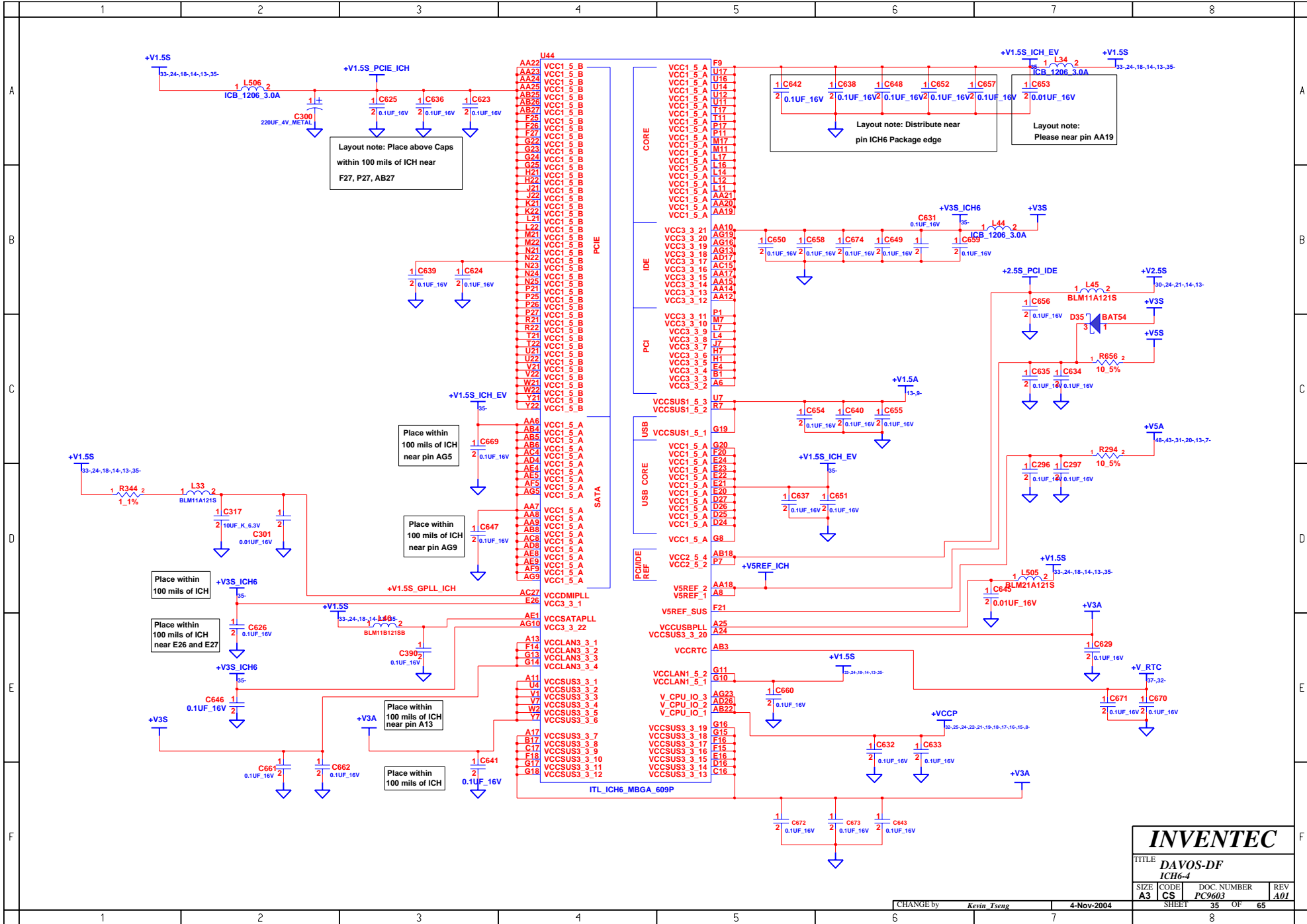


INVENTEC

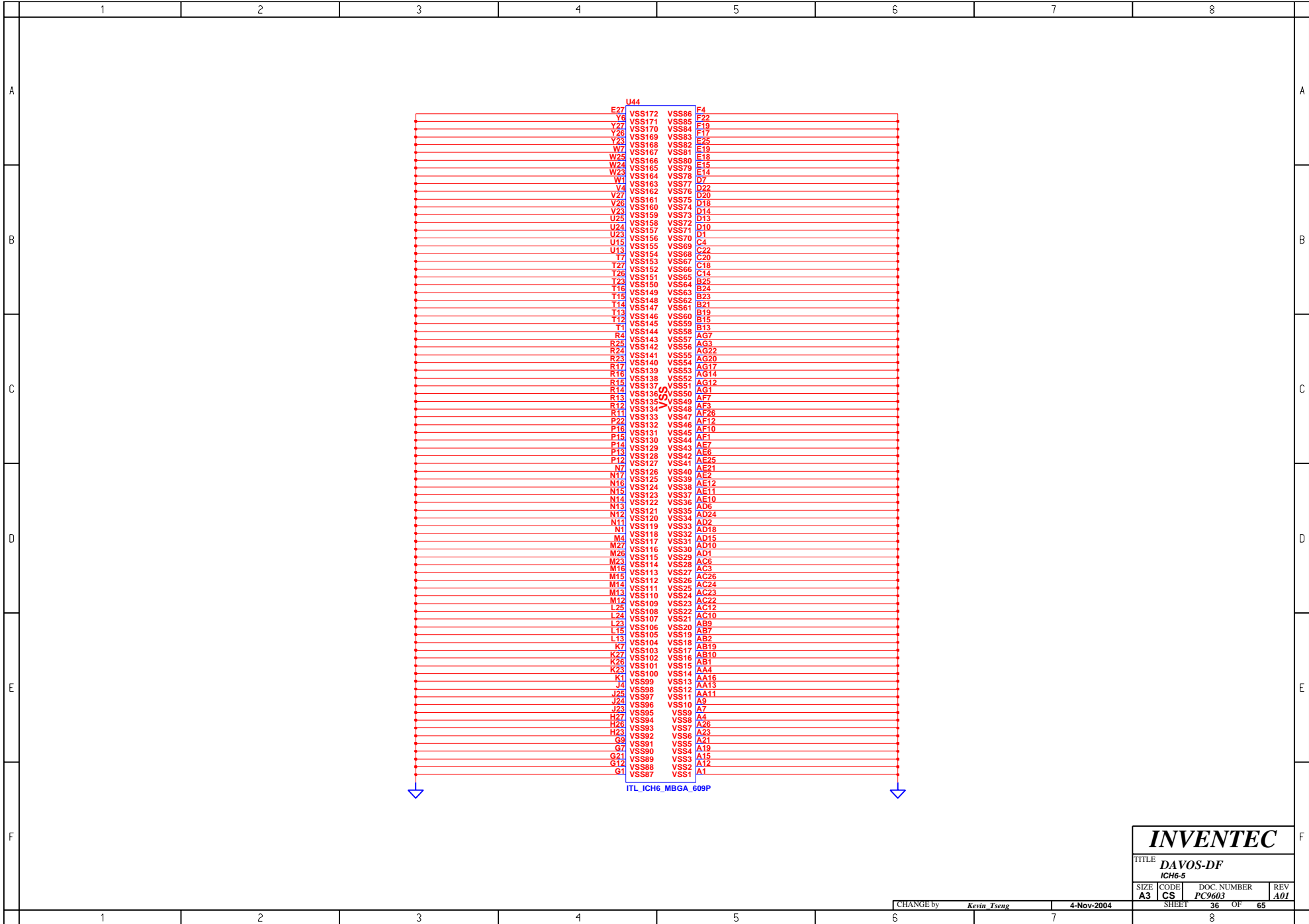
TITLE			
DAVOS-DF			
ICH6-1			
SIZE	CODE	DOC. NUMBER	REV
A3	CS	PC9603	A01



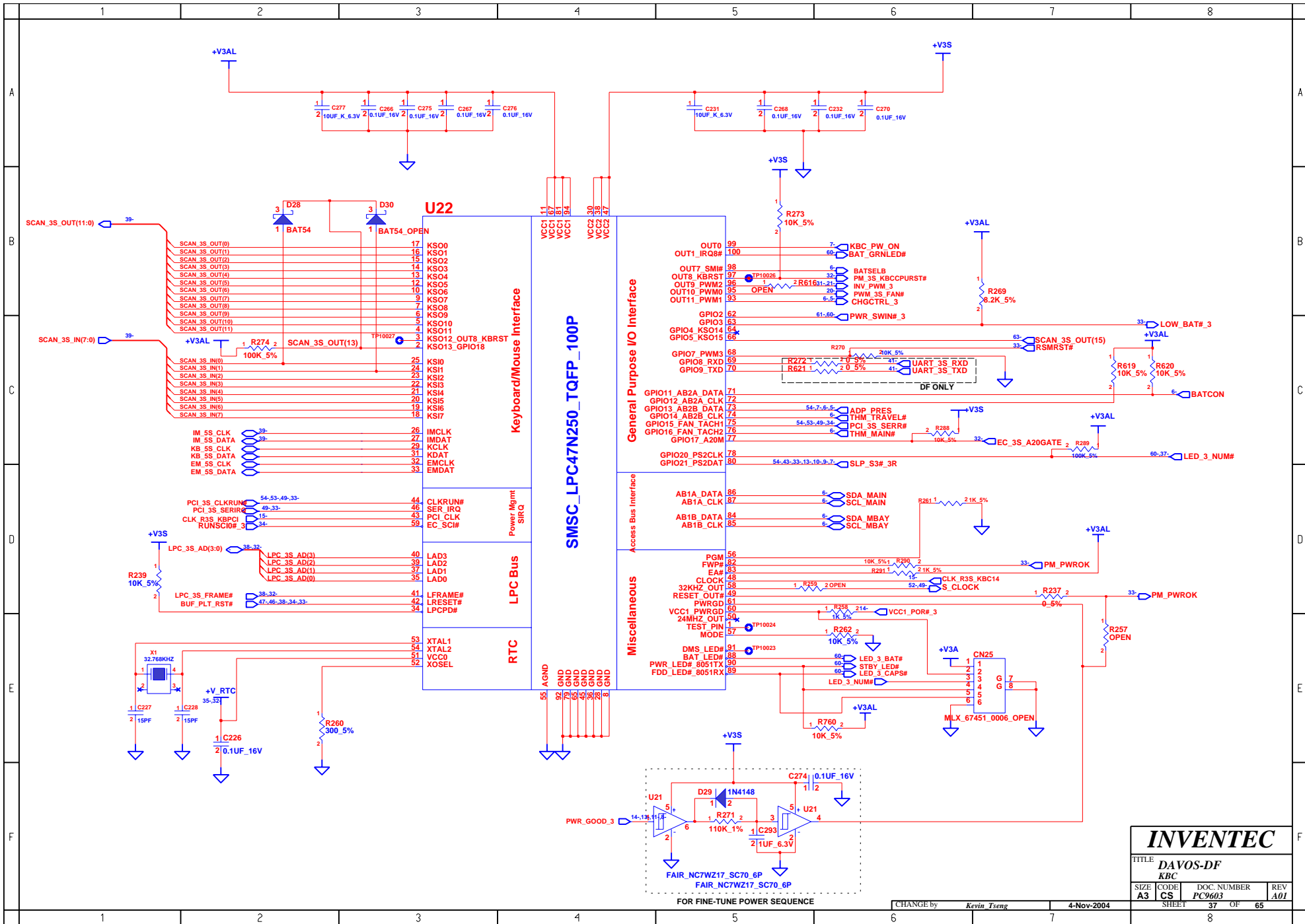
INVENTEC			
TITLE DAVOS-DF ICH6-2			
SIZE A3	CODE CS	DOC. NUMBER PC9603	REV A01
CHANGE by <i>Kevin Tseng</i>		4-Nov-2004	
SHEET 33		OF 65	



INVENTEC			
TITLE DAVOS-DF ICH6-4			
SIZE A3	CODE CS	DOC. NUMBER PC9603	REV A01
CHANGE by <i>Kevin Tseng</i>		4-Nov-2004	
SHEET 35		OF 65	

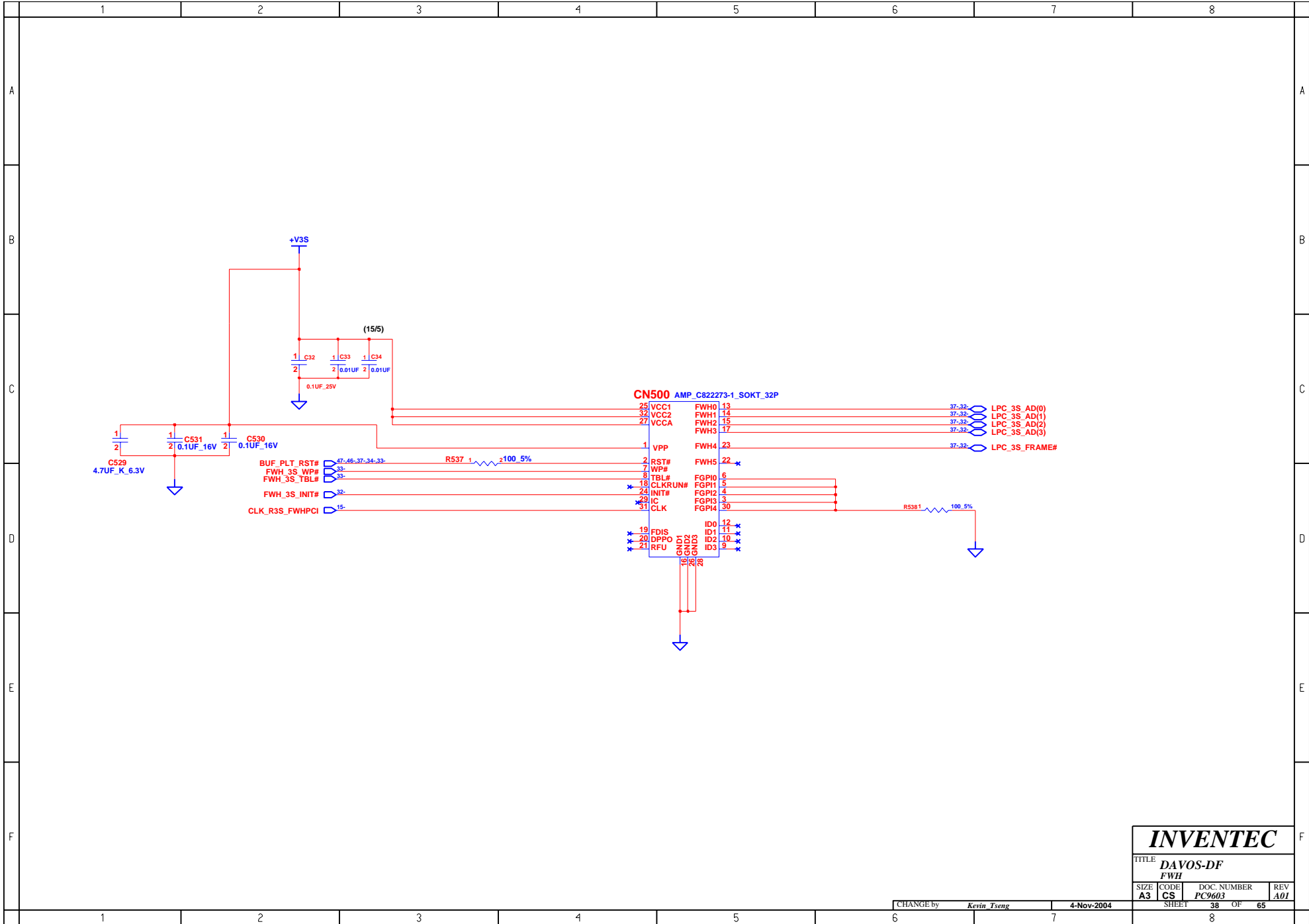


INVENTEC			
TITLE DAVOS-DF			
ICH6-5			
SIZE	CODE	DOC. NUMBER	REV
A3	CS	PC9603	A01
CHANGE by <i>Kevin Tseng</i>		4-Nov-2004	
SHEET		36	OF 65



INVENTEC			
TITLE DAVOS-DF			
KBC			
SIZE A3	CODE CS	DOC. NUMBER PC9603	REV A01
SHEET 37		OF 65	

CHANGE by *Kevin Tseng* 4-Nov-2004



INVENTEC

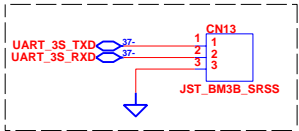
TITLE
DAVOS-DF
FWH

SIZE	CODE	DOC. NUMBER	REV
A3	CS	PC9603	A01

For FF only

INVENTEC			
TITLE DAVOS-DF SUPER I/O			
SIZE A3	CODE CS	DOC. NUMBER PC9603	REV A01
CHANGE by <i>Kevin Tseng</i>		4-Nov-2004	
SHEET		40	OF 65

DF debug only



INVENTEC

TITLE **DAVOS-DF**
DF debug only

SIZE	CODE	DOC. NUMBER	REV
A3	CS	PC9603	A01

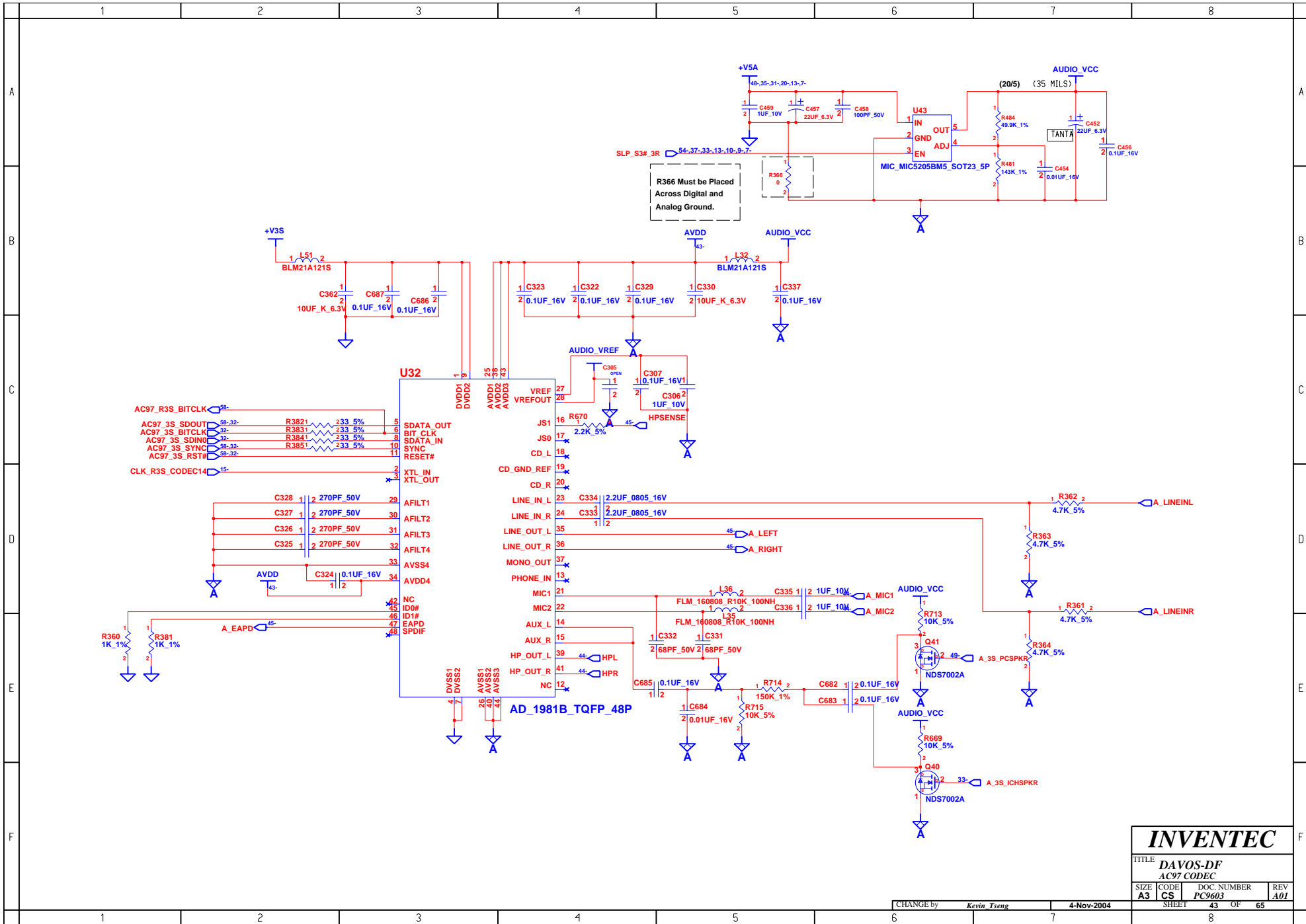
CHANGE by *Kevin Tseng* 4-Nov-2004

SHEET 41 OF 65

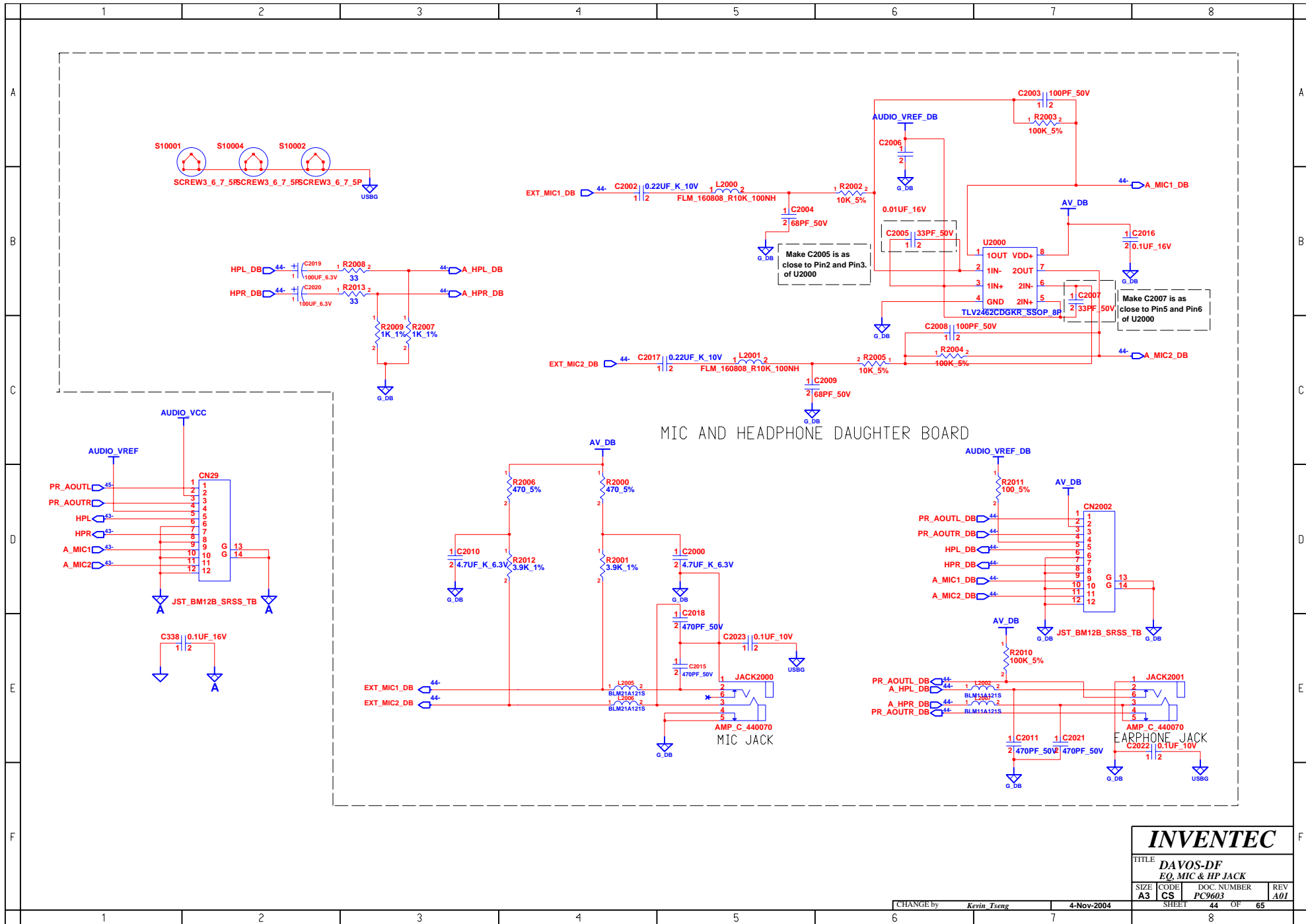
For FF only

INVENTEC			
TITLE DAVOS-DF PARALLER PORT			
SIZE A3	CODE CS	DOC. NUMBER PC9603	REV A01
CHANGE by <i>Kevin Tseng</i>		4-Nov-2004	
SHEET		42	OF 65

	1	2	3	4	5	6	7	8	
A									A
B									B
C									C
D									D
E									E
F									F
	1	2	3	4	5	6	7	8	



INVENTEC			
TITLE DAVOS-DF AC97 CODEC			
SIZE A3	CODE CS	DOC. NUMBER PC9603	REV A01



MIC AND HEADPHONE DAUGHTER BOARD

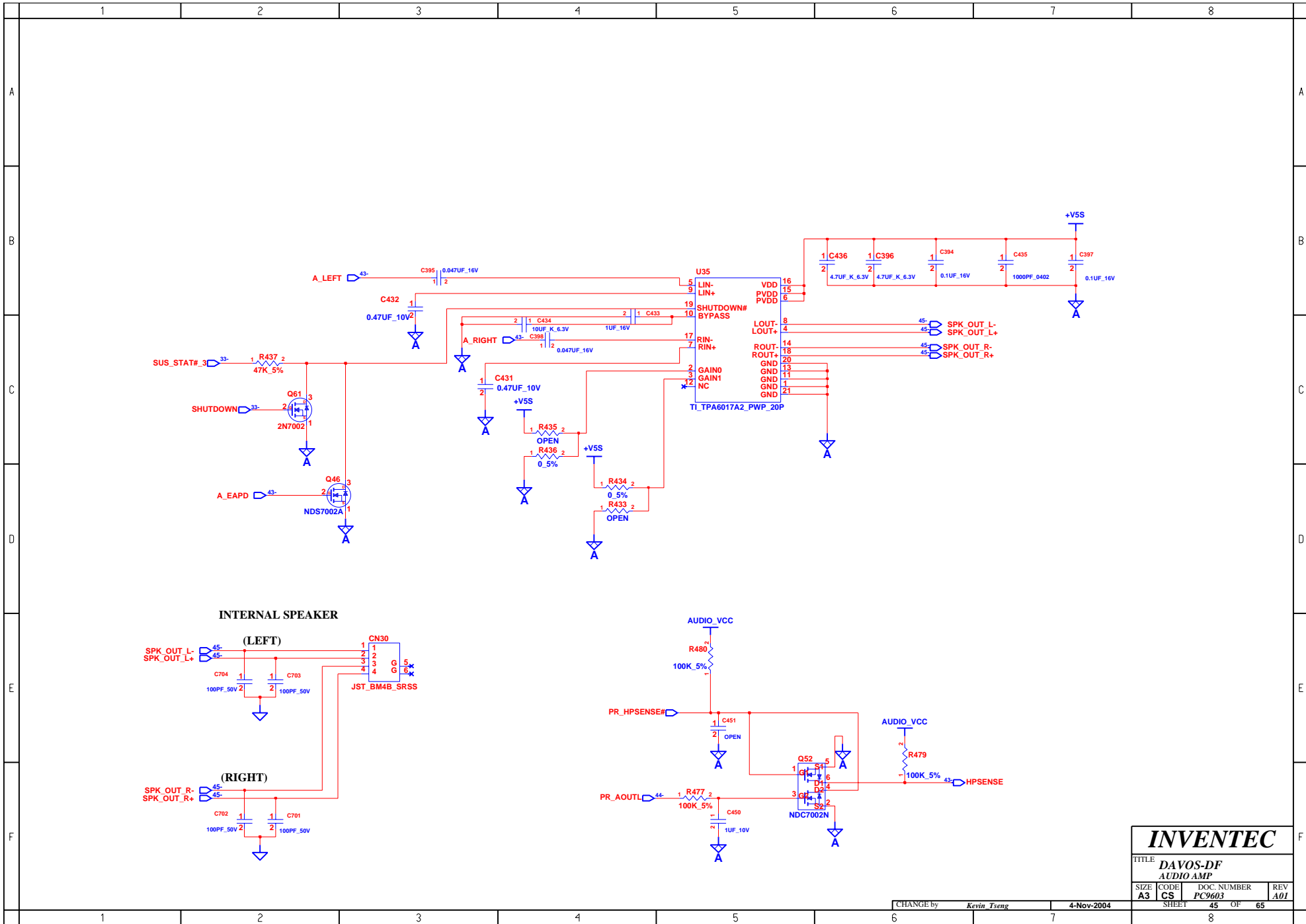
INVENTEC

TITLE
DAVOS-DF
EQ, MIC & HP JACK

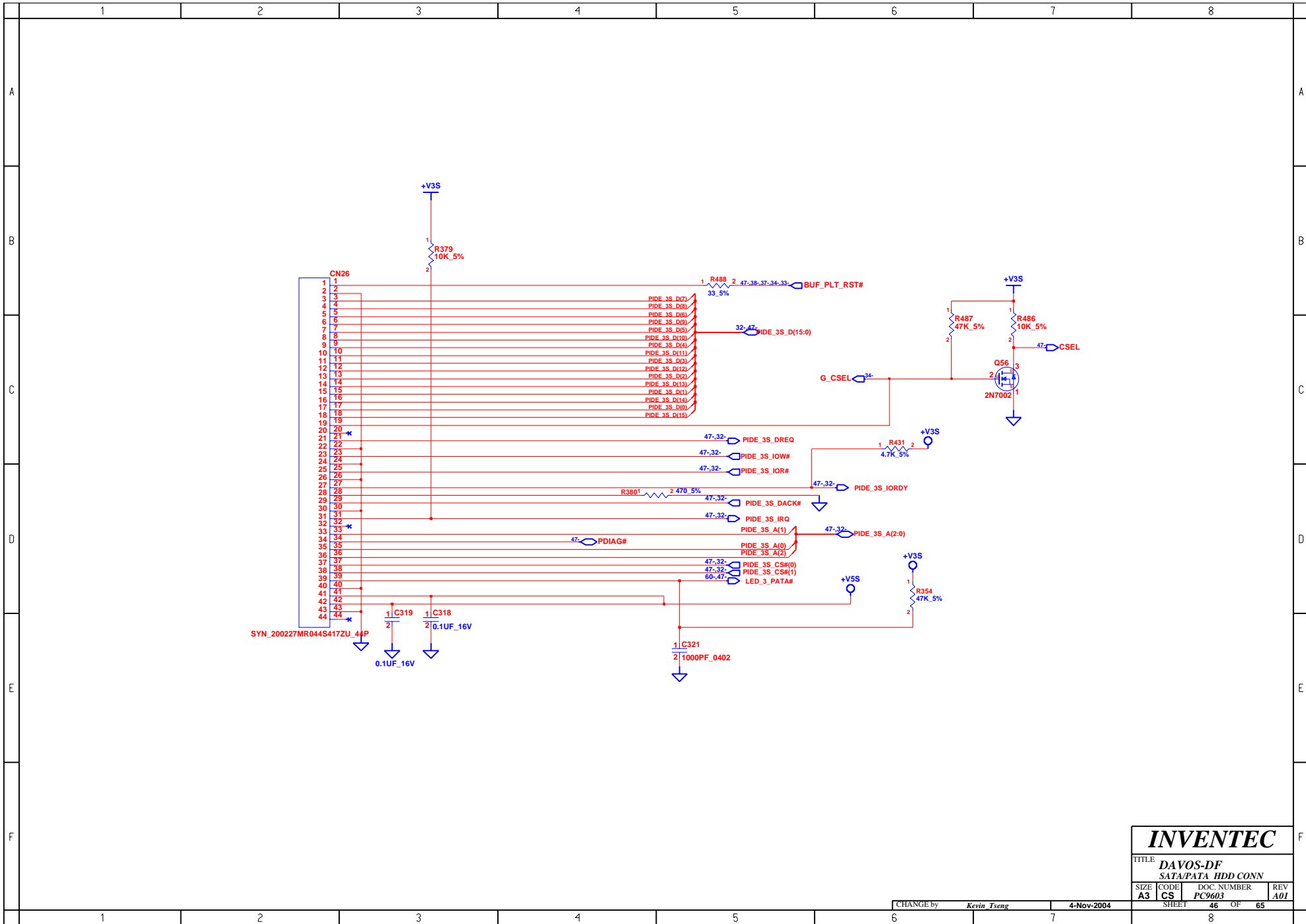
SIZE CODE CS DOC. NUMBER REV
A3 CS PC9603 A01

CHANGE by *Kevin Tseng* 4-Nov-2004

SHEET 44 OF 65



INVENTEC			
TITLE DAVOS-DF AUDIO AMP			
SIZE A3	CODE CS	DOC. NUMBER PC9603	REV A01
CHANGE by <i>Kevin Tseng</i>		4-Nov-2004	SHEET 45 OF 65

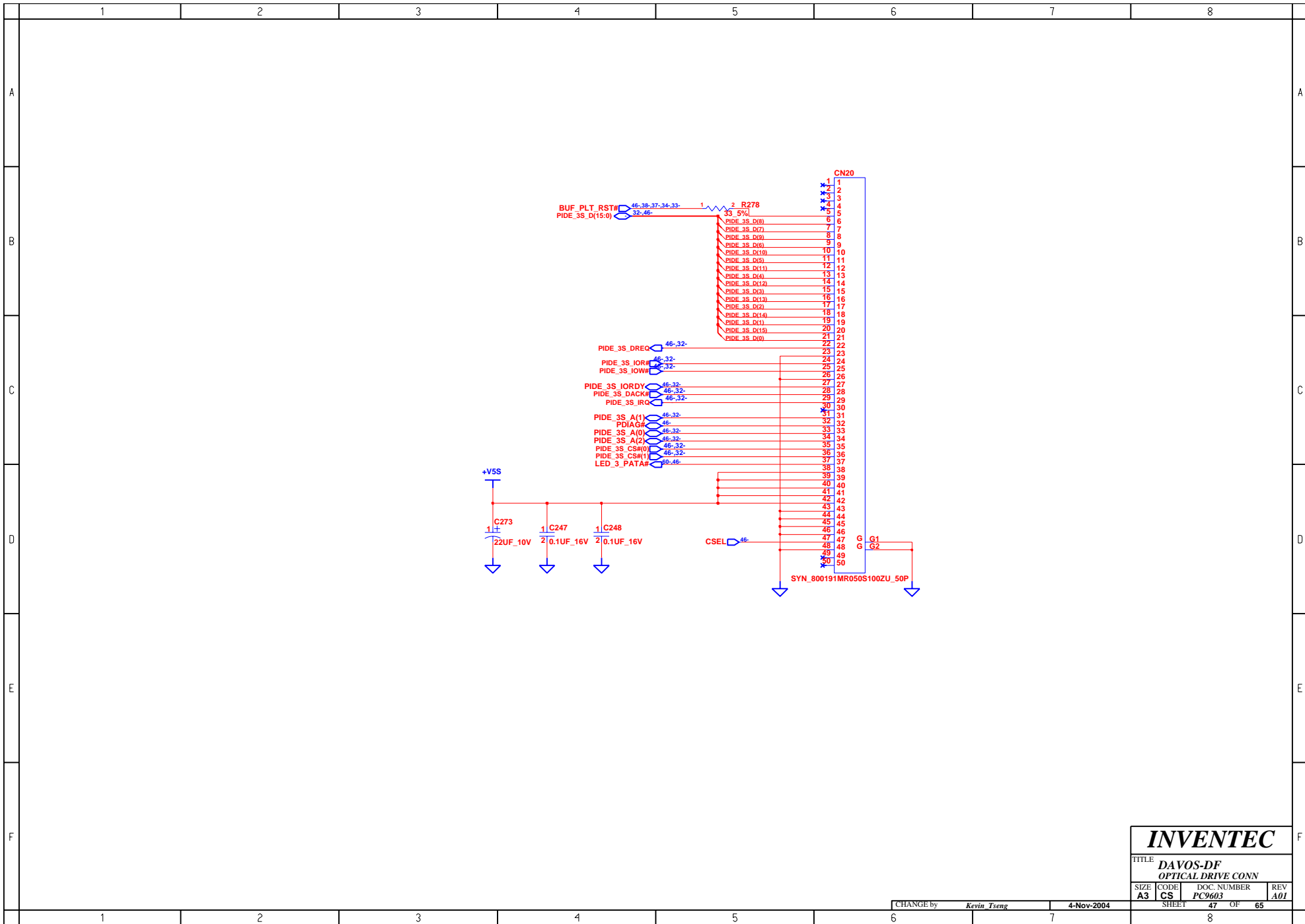


INVENTEC

TITLE **DAVOS-DF**
SATA/PATA HDD CONN

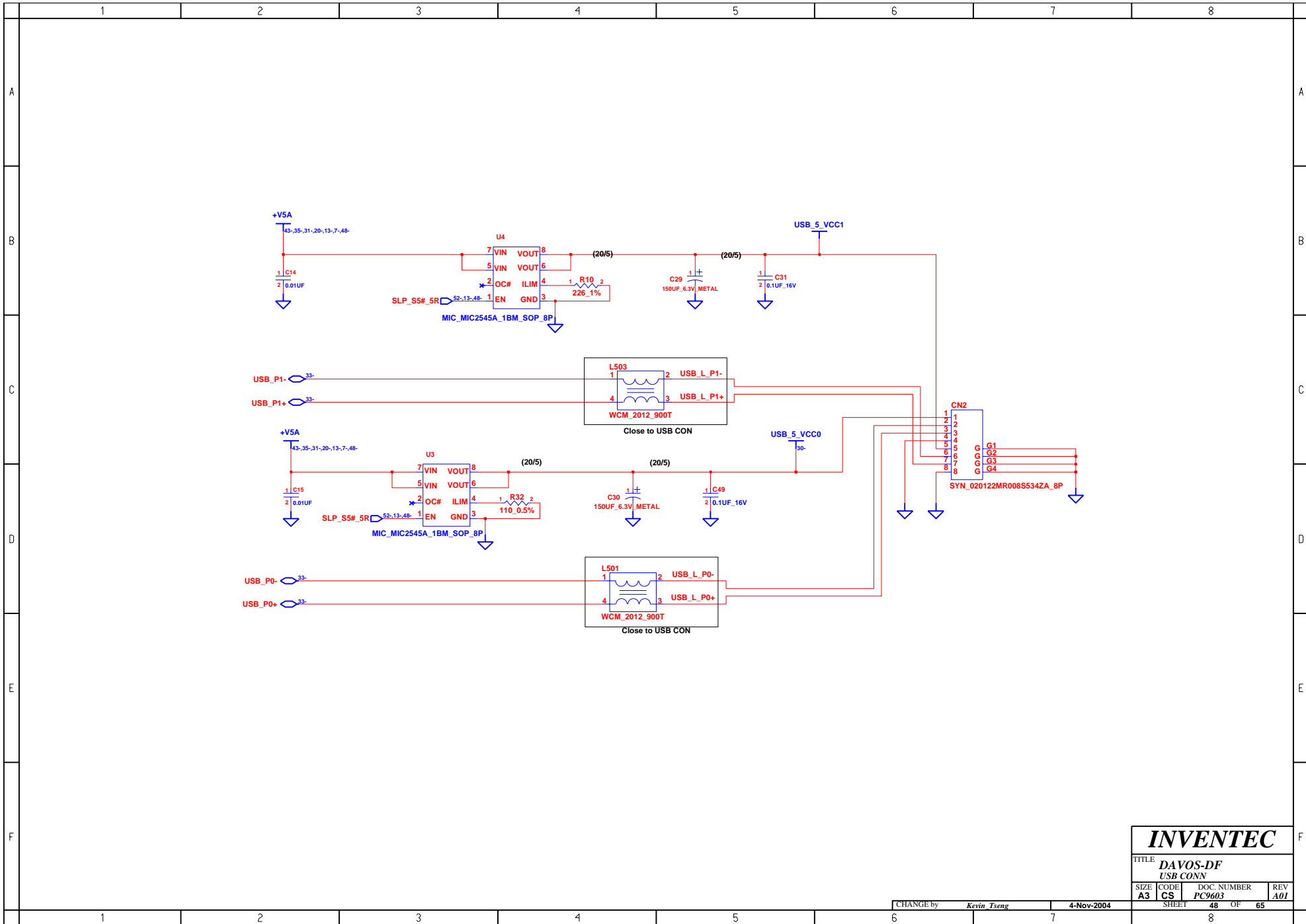
SIZE	CODE	DOC. NUMBER	REV
A3	CS	PC9603	A01

CHANGE by *Kevin Tseng* 4-Nov-2004 SHEET 46 OF 65



INVENTEC

TITLE			
DAVOS-DF			
OPTICAL DRIVE CONN			
SIZE	CODE	DOC. NUMBER	REV
A3	CS	PC9603	A01

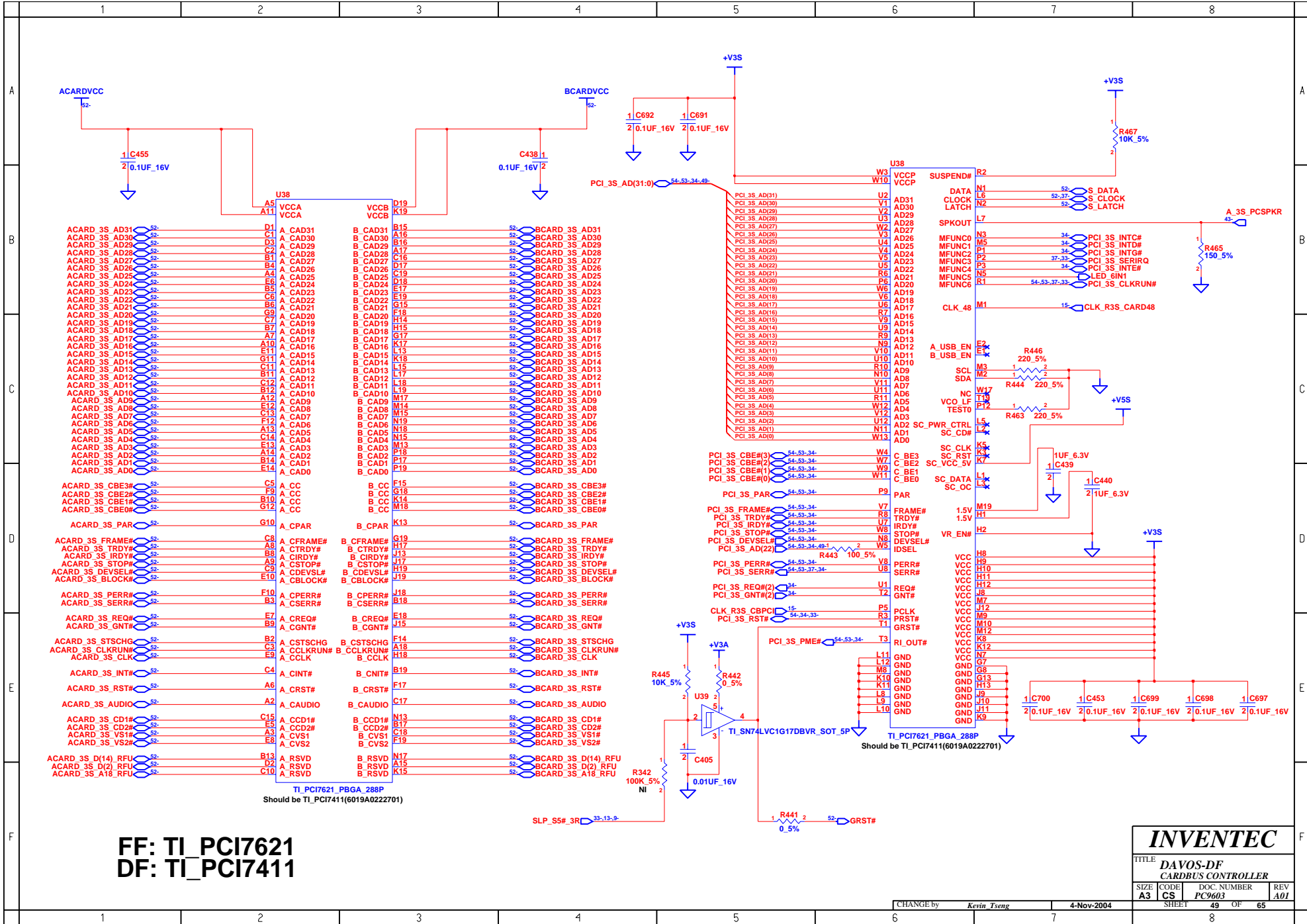


INVENTEC

TITLE			
DAVOS-DF			
USB CONN			
SIZE	CODE	DOC. NUMBER	REV
A3	CS	PC9603	A01

CHANGE by Kevin Tseng 4-Nov-2004

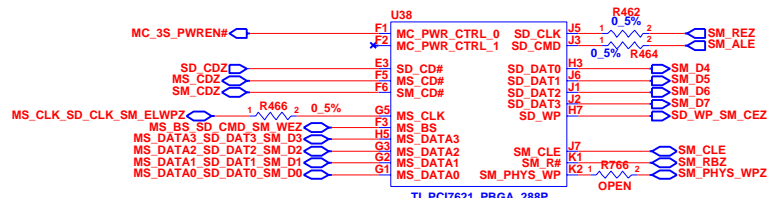
SHEET 48 OF 65



INVENTEC

TITLE
DAVOS-DF
CARBUS CONTROLLER

SIZE A3 CS DOC NUMBER PC9603 REV A01



Should be TI_PCI7411(6019A0222701)

6 in 1 for FF only

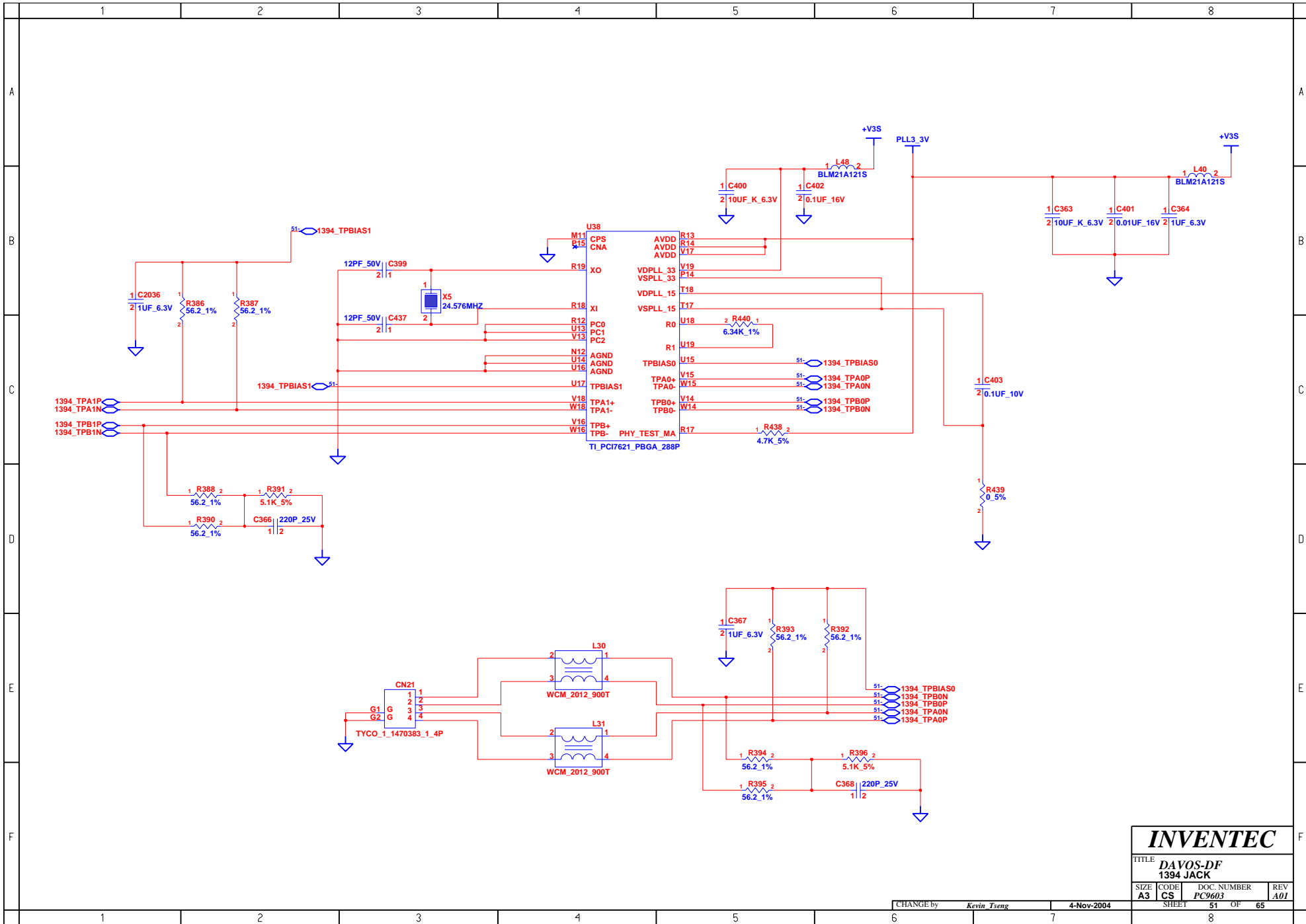
INVENTEC

TITLE
DAVOS-DF
6 IN 1 SLOT

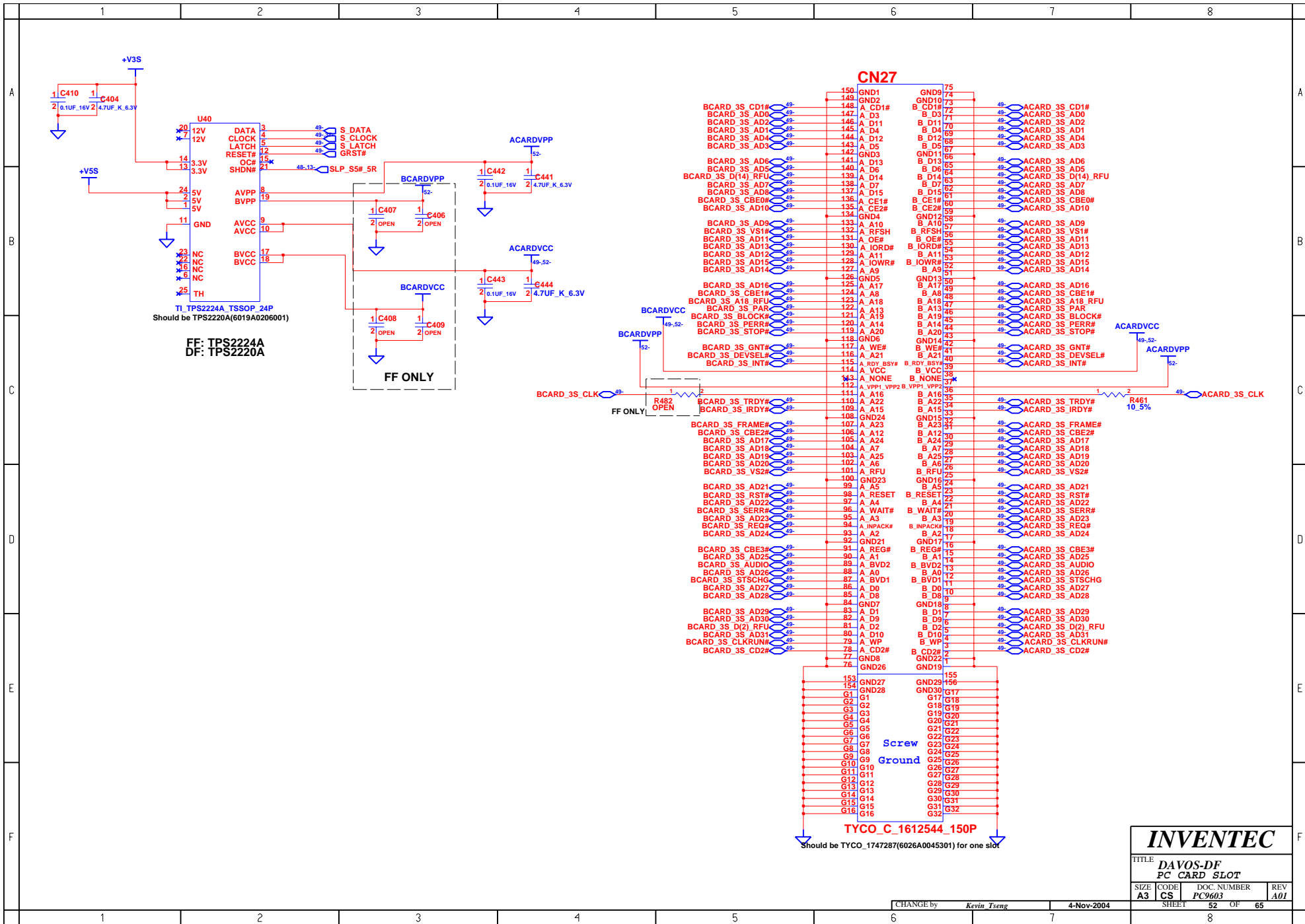
SIZE A3	CODE CS	DOC. NUMBER PC9603	REV A01
-------------------	-------------------	------------------------------	-------------------

CHANGE by *Kevin Tseng* 4-Nov-2004

SHEET 50 OF 65



INVENTEC			
TITLE DAVOS-DF 1394 JACK			
SIZE A3	CODE CS	DOC. NUMBER PC9603	REV A01
CHANGE by <i>Kevin Tseng</i>		4-Nov-2004	
SHEET 51		OF 65	



T1 TPS2224A_TSSOP_24P
Should be TPS2220A(6019A0206001)

FF: TPS2224A
DF: TPS2220A

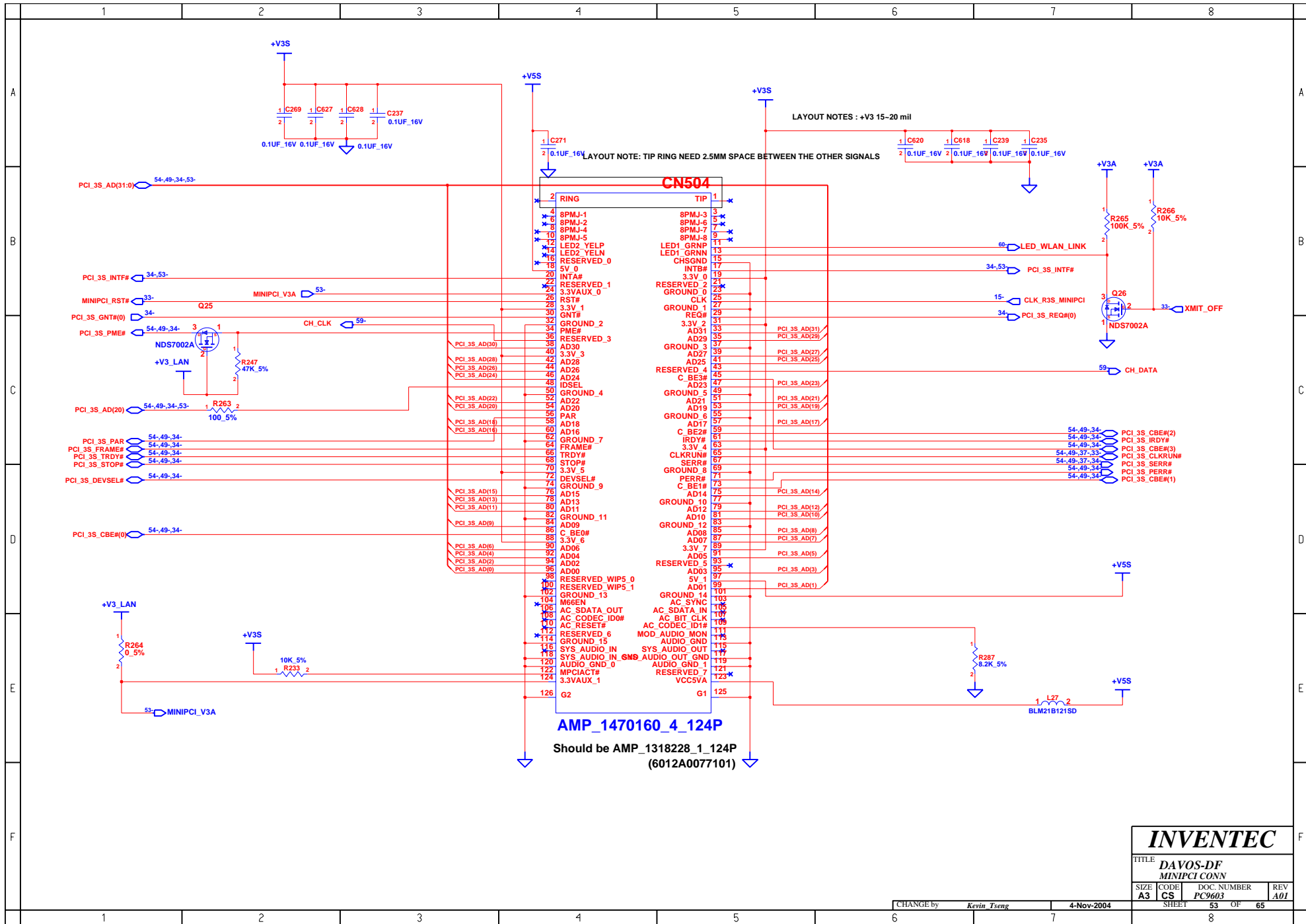
FF ONLY

FF ONLY

TYCO_C_1612544_150P
Should be TYCO_1747287(6026A0045301) for one slot

INVENTEC

TITLE			
DAVOS-DF PC CARD SLOT			
SIZE	CODE	DOC. NUMBER	REV
A3	CS	PC9603	A01



INVENTEC

TITLE
DAVOS-DF
 MINIPCI CONN

SIZE	CODE	DOC. NUMBER	REV
A3	CS	PC9603	A01

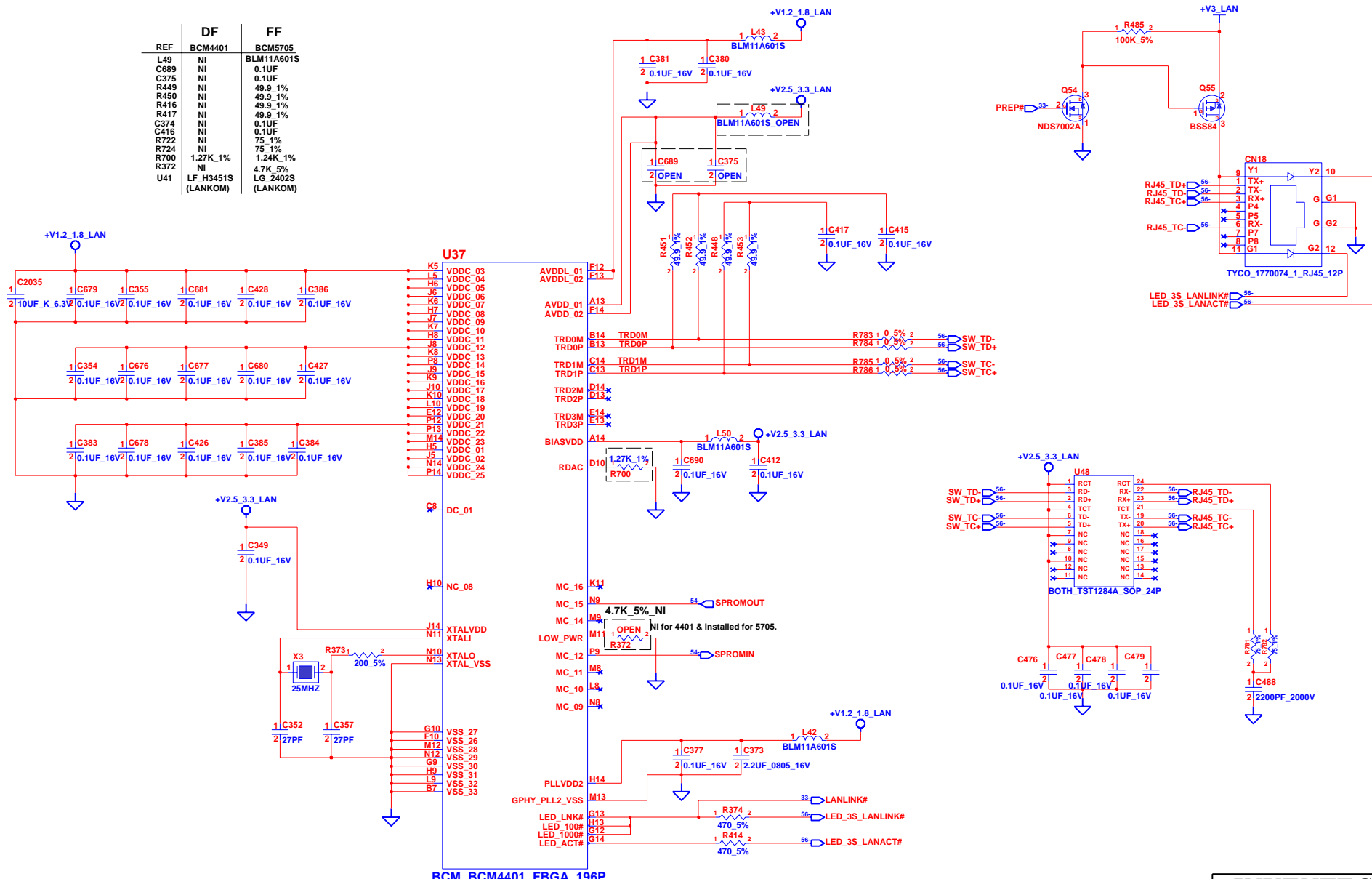
CHANGE by *Kevin Tseng* 4-Nov-2004 SHEET 53 OF 65

BLANK

INVENTEC			
TITLE DAVOS-DF BLANK			
SIZE A3	CODE CS	DOC. NUMBER PC9603	REV A01
CHANGE by <i>Kevin Tseng</i>		4-Nov-2004	
SHEET		55	OF 65

	1	2	3	4	5	6	7	8	
A									A
B									B
C									C
D									D
E									E
F									F
	1	2	3	4	5	6	7	8	

REF	DF	FF
	BCM4401	BCM5705
L49	NI	BLM11A601S
C689	NI	0.1UF
C375	NI	0.1UF
R449	NI	49.9 1%
R450	NI	49.9 1%
R416	NI	49.9 1%
R417	NI	49.9 1%
C374	NI	0.1UF
C416	NI	0.1UF
R722	NI	75 1%
R724	NI	75 1%
R700	1.27K 1%	1.24K 1%
R372	NI	4.7K 5%
U41	LF_H3451S (LANKOM)	LG_2402S (LANKOM)

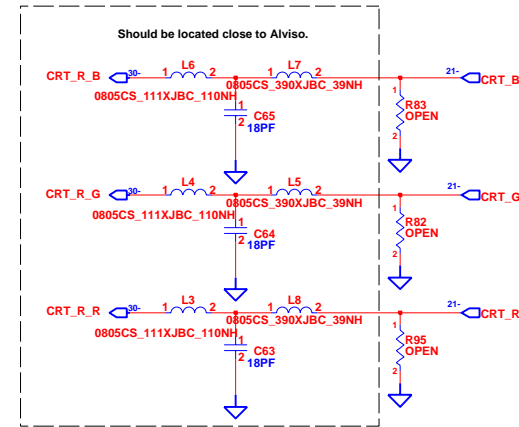


INVENTEC

TITLE			
DAVOS-DF NIC - TRANSFORMER			
SIZE	CODE	DOC. NUMBER	REV
A3	CS	PC9603	A01

CHANGE by	Kevin Tseng	4-Nov-2004	SHEET	56	OF	65
-----------	-------------	------------	-------	----	----	----

Docking for FF only

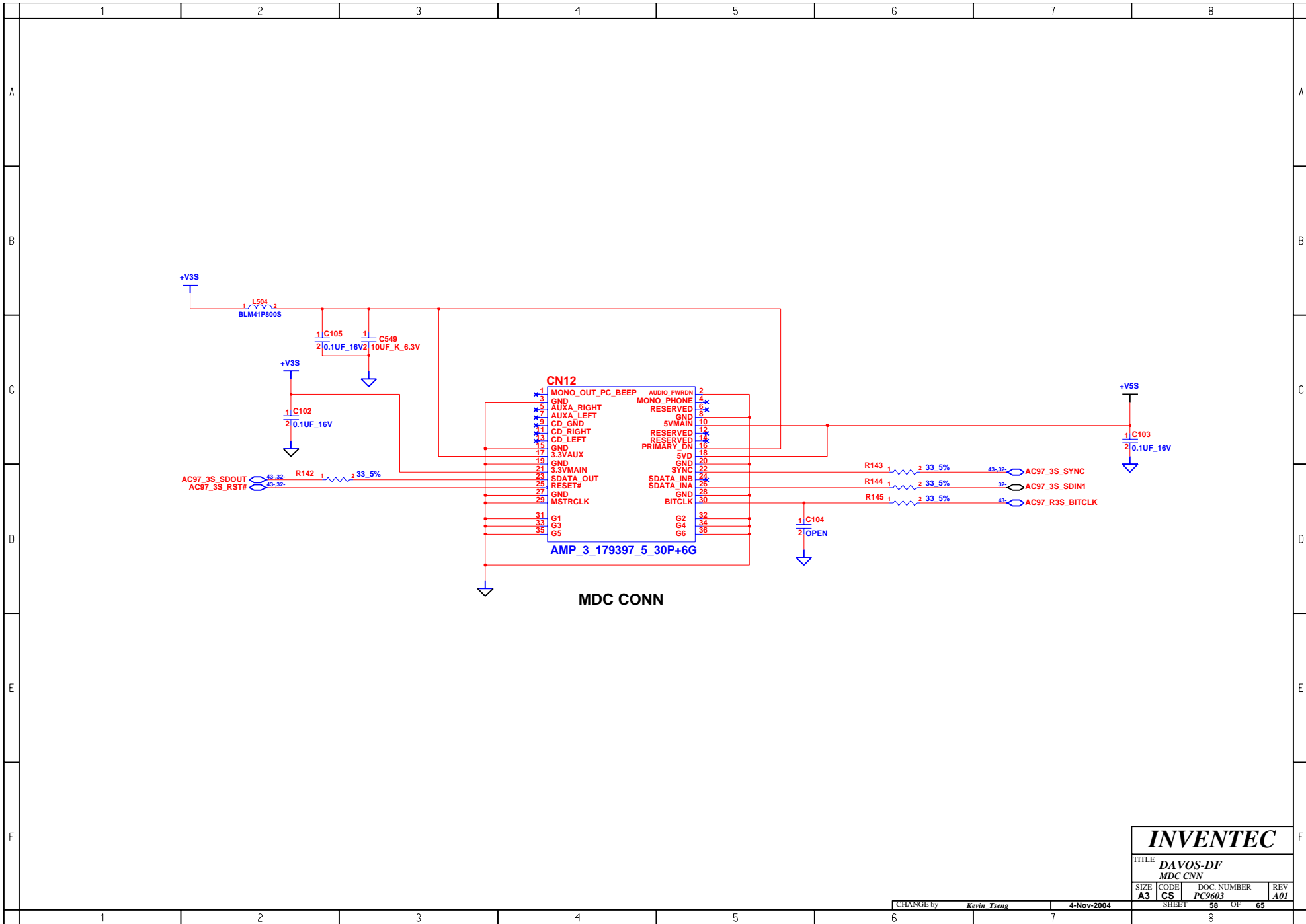


INVENTEC

TITLE			
DAVOS-DF			
DOCKING CONN			
SIZE	CODE	DOC. NUMBER	REV
A3	CS	PC9603	A01

CHANGE by *Kevin Tseng* 4-Nov-2004

SHEET 57 OF 65



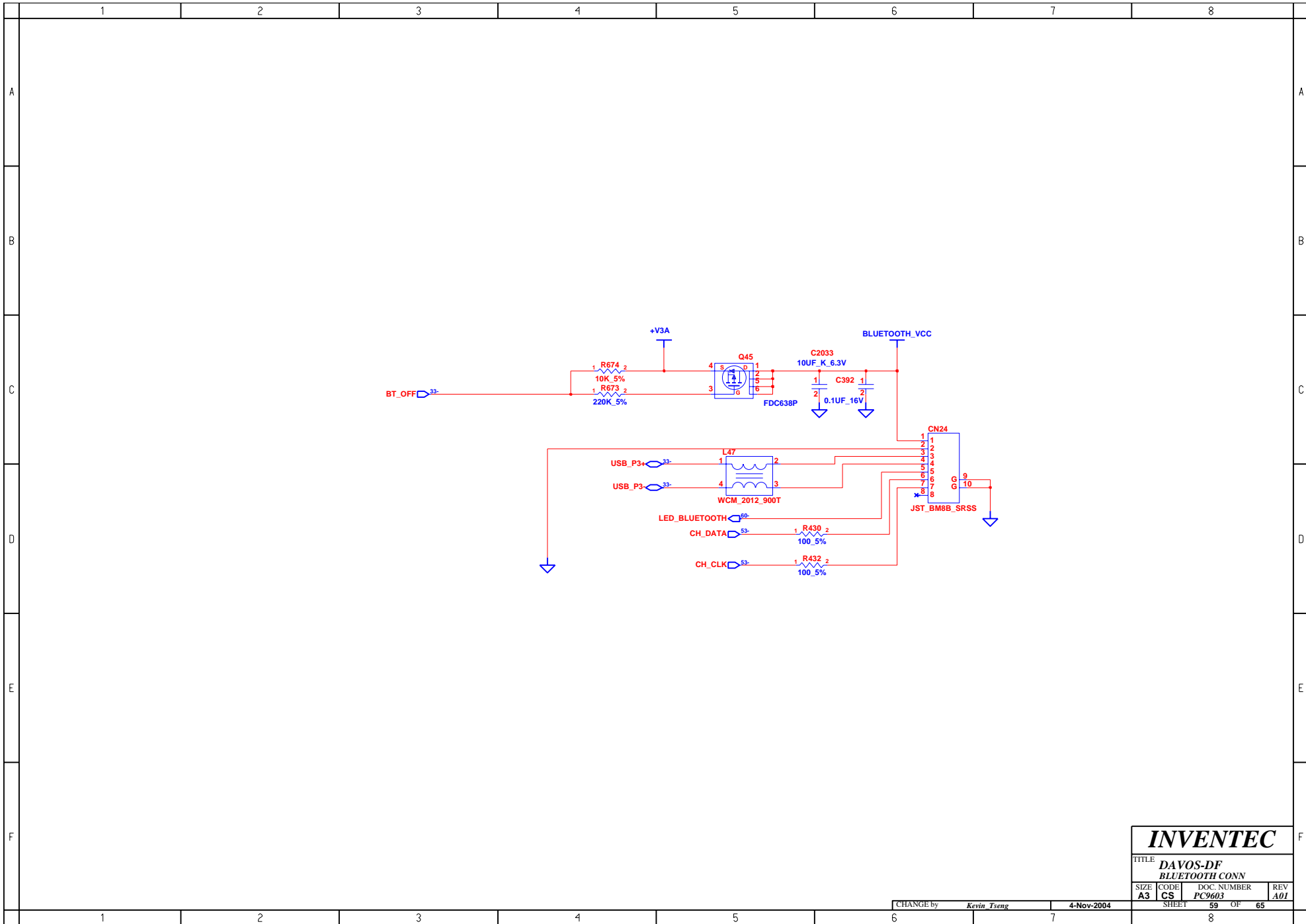
INVENTEC

TITLE **DAVOS-DF**
MDC CONN

SIZE	CODE	DOC. NUMBER	REV
A3	CS	PC9603	A01

CHANGE by *Kevin Tseng* 4-Nov-2004

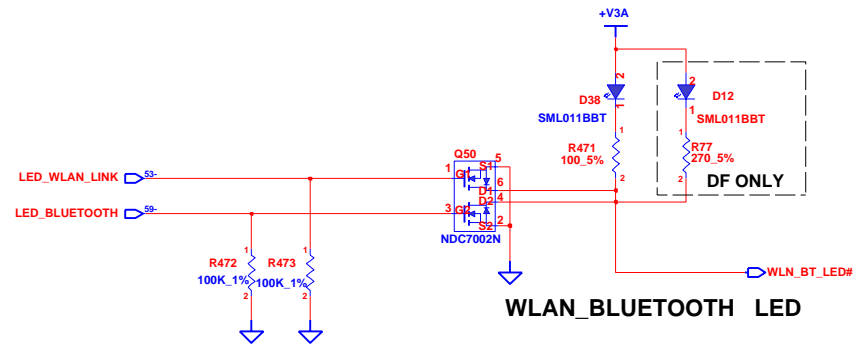
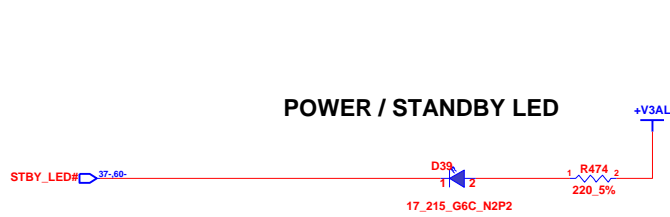
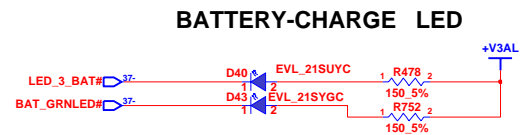
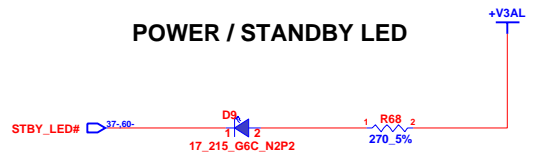
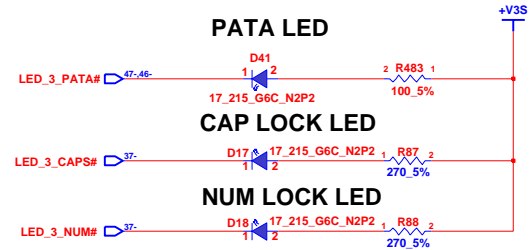
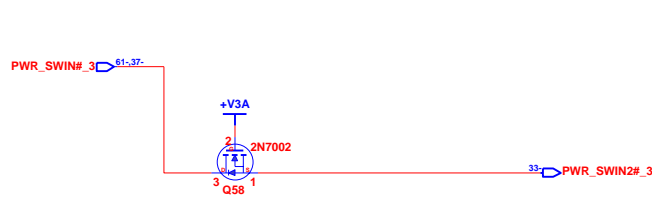
SHEET 58 OF 65



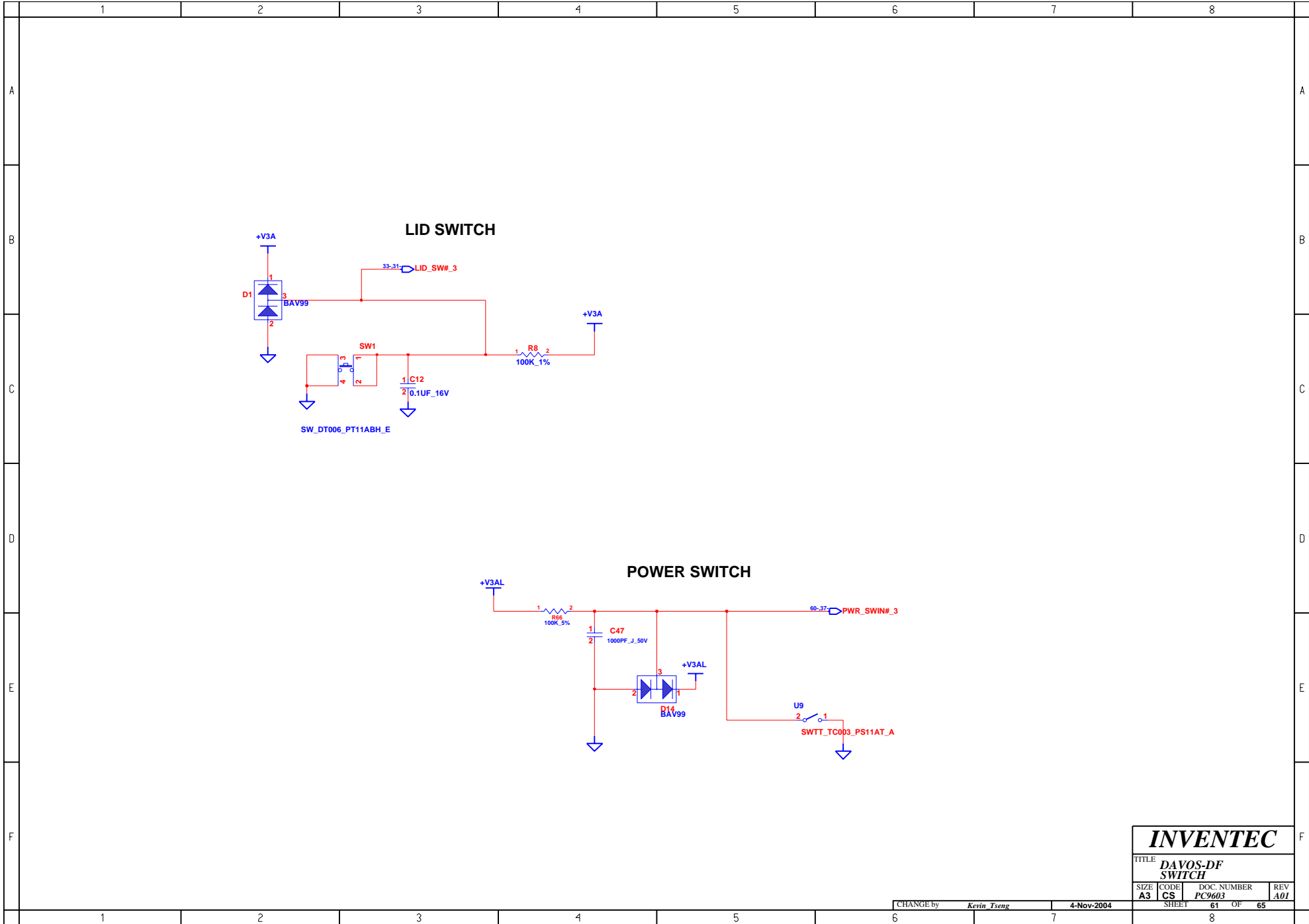
INVENTEC

TITLE			
DAVOS-DF			
BLUETOOTH CONN			
SIZE	CODE	DOC. NUMBER	REV
A3	CS	PC9603	A01
CHANGE by		SHEET	
Kevin Tseng		59 OF 65	

4-Nov-2004



INVENTEC			
TITLE DAVOS-DF LEDS			
SIZE A3	CODE CS	DOC. NUMBER PC9603	REV A01
CHANGE by <i>Kevin Tseng</i>		4-Nov-2004	
SHEET		60	OF 65



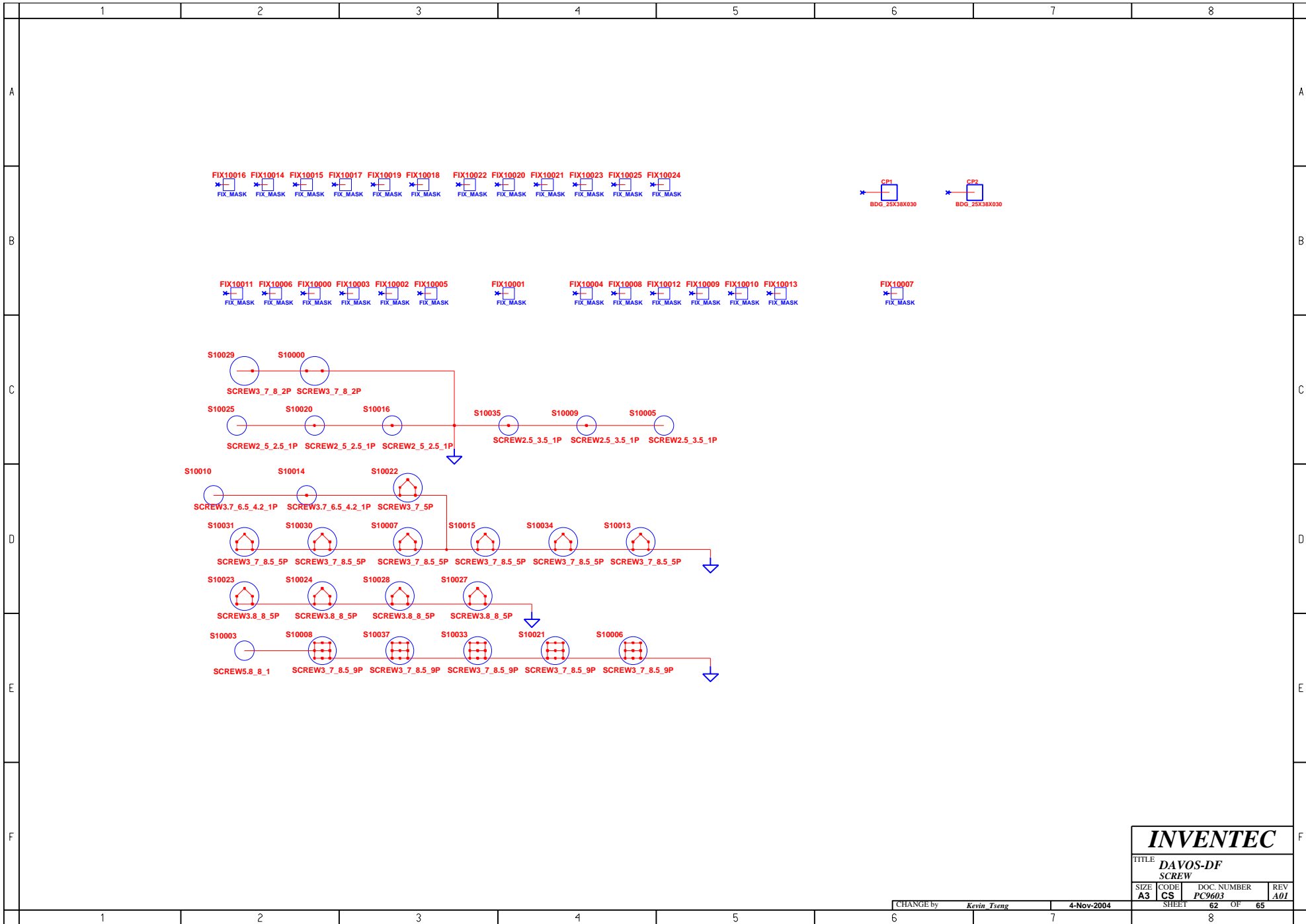
INVENTEC

TITLE
DAVOS-DF SWITCH

SIZE A3	CODE CS	DOC. NUMBER PC9603	REV A01
-------------------	-------------------	------------------------------	-------------------

CHANGE by *Kevin Tseng* 4-Nov-2004

SHEET 61 OF 65

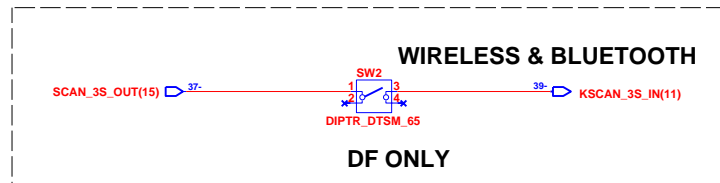


INVENTEC

TITLE			
DAVOS-DF			
SCREW			
SIZE	CODE	DOC. NUMBER	REV
A3	CS	PC9603	A01

BUTTON & LED DAUGHTER BOARD

For FF only



INVENTEC			
TITLE DAVOS-DF BUTTON & LED Daughter Board			
SIZE A3	CODE CS	DOC. NUMBER PC9603	REV A01
CHANGE by <i>Kevin Tseng</i>		4-Nov-2004	SHEET 63 OF 65

CHANGE by *Kevin Tseng* 4-Nov-2004

SHEET 63 OF 65

LCD CABLE

1	1		1	1
2	2	+V3S	2	2
3	3		3	3
4	4	+V3S	4	4
5	5		5	5
6	6	+V3S	6	6
7	7		7	7
8	8	LCM_DDCPCLK	8	8
9	9		9	9
10	10	LCM_DDCPDATA	10	10
11	11	LVDS_TXDLO-	11	11
12	12	LVDS_TXDLO+	12	12
13	13	LVDS_TXDL1-	13	13
14	14	LVDS_TXDL1+	14	14
15	15	LVDS_TXDL2-	15	15
16	16	LVDS_TXDL2+	16	16
17	17	LVDS_TXDL-	17	17
18	18	LVDS_TXDL+	18	18
19	19	GND	19	19
20	20	GND	20	20
21	21	LVDS_TXDU0-	21	21
22	22	LVDS_TXDU0+	22	22
23	23	LVDS_TXDU1-	23	23
24	24	LVDS_TXDU1+	24	24
25	25	LVDS_TXDU2-	25	25
26	26	LVDS_TXDU2+	26	26
27	27	LVDS_TXCU+	27	27
28	28	LVDS_TXCU-	28	28
29	29	GND	29	29
30	30	GND	30	30
31	31		31	31
32	32	ALS_EN	32	32
33	33	+V5A	33	33
34	34	+V5A	34	34
35	35	+V5A	35	35
36	36	INV_PWM_3	36	36
37	37	+V3S	37	37
38	38	GND	38	38
39	39	GND	39	39
40	40	GND	40	40

keyboard

1	1		1	1
2	2		2	2
3	3	SCAN_3S_OUT(9)	3	3
4	4	KSCAN_3S_IN(9)	4	4
5	5		5	5
6	6	KSCAN_3S_IN(1)	6	6
7	7	KSCAN_3S_IN(13)	7	7
8	8	SCAN_3S_IN(7)	8	8
9	9	KSCAN_3S_IN(6)	9	9
10	10	KSCAN_3S_IN(5)	10	10
11	11	SCAN_3S_OUT(1)	11	11
12	12	SCAN_3S_OUT(10)	12	12
13	13	SCAN_3S_OUT(6)	13	13
14	14	SCAN_3S_OUT(7)	14	14
15	15	SCAN_3S_OUT(4)	15	15
16	16	SCAN_3S_OUT(8)	16	16
17	17	SCAN_3S_OUT(3)	17	17
18	18	KSCAN_3S_IN(3)	18	18
19	19	KSCAN_3S_IN(1)	19	19
20	20	KSCAN_3S_IN(2)	20	20
21	21	KSCAN_3S_IN(4)	21	21
22	22	KSCAN_3S_IN(0)	22	22
23	23	KSCAN_3S_IN(10)	23	23
24	24	KSCAN_3S_IN(12)	24	24
25	25	KSCAN_3S_IN(8)	25	25
26	26	KSCAN_3S_IN(14)	26	26
27	27	SCAN_3S_OUT(5)	27	27
28	28	SCAN_3S_OUT(2)	28	28
29	29	SCAN_3S_OUT(0)	29	29
30	30	SCAN_3S_OUT(11)	30	30

Card Bus 6 in 1

1	1	VCC_MC	1	1
2	2	VCC_MC	2	2
3	3	VCC_MC	3	3
4	4	VCC_MC	4	4
5	5	LCD_6IN1	5	5
6	6	GND	6	6
7	7	MS_DATA0_SD_DAT0_SM_D0	7	7
8	8	MS_DATA1_SD_DAT1_SM_D1	8	8
9	9	MS_DATA2_SD_DAT2_SM_D2	9	9
10	10	MS_DATA3_SD_DAT3_SM_D3	10	10
11	11	GND	11	11
12	12	MS_CLK_SD_CLK_SM_ELWPZ	12	12
13	13	GND	13	13
14	14	MS_BS_SD_CMD_SM_WEZ	14	14
15	15	SM_ALE	15	15
16	16	SM_CLE	16	16
17	17	MS_CDZ	17	17
18	18	SD_CDZ	18	18
19	19	SD_WP_SM_CEZ	19	19
20	20	GND	20	20
21	21	SM_REZ	21	21
22	22	GND	22	22
23	23	SM_RBZ	23	23
24	24	SM_D4	24	24
25	25	SM_D5	25	25
26	26	SM_D6	26	26
27	27	SM_D7	27	27
28	28	SM_PHYS_WPZ	28	28
29	29	SM_EDZ	29	29
30	30	GND	30	30

BLUETOOTH CABLE

1	1	BLUETOOTH_VCC	8	8
2	2	GND	7	7
3	3	USB_P3+	6	6
4	4	USB_P3-	5	5
5	5	LED_BLUETOOTH	4	4
6	6	CH_DATA	3	3
7	7	CH_CLK	2	2
8	8		1	1

USB CABLE

1	1	+5A_USB	1	1
2	2	+5A_USB	2	2
3	3	+5A_USB	3	3
4	4	+5A_USB	4	4
5	5	USB_P6-	5	5
6	6	USB_P6+	6	6
7	7	USB_P7-	7	7
8	8	USB_P7+	8	8
9	9	GND	9	9
10	10	GND	10	10
11	11	GND	11	11
12	12	GND	12	12

TOUCHPAD CABLE

1	1	+V3S	1	1
2	2	IM_SS_DATA	2	2
3	3	IM_SS_CLK	3	3
4	4	GND	4	4
5	5		5	5
6	6		6	6
7	7		7	7
8	8		8	8

AUDIO CABLE

1	1	PR_AOUTL_DB	1	1
2	2	AUDIO_VCC_DB	2	2
3	3	PR_AOUTR_DB	3	3
4	4	AUDIO_VREF_DB	4	4
5	5	HPL_DB	5	5
6	6	GND	6	6
7	7	HPR_DB	7	7
8	8	GND	8	8
9	9	A_MIC1_DB	9	9
10	10	GND	10	10
11	11	A_MIC2_DB	11	11
12	12	GND	12	12

RJ45

1	1	RJ45TC+	3	3
2	2	RJ45TD-	2	2
3	3	LED_3S_LANLINK#	12	12
4	4		11	11
5	5	+V3S	10	10
6	6	RJ45TA+	9	9
7	7	RJ45TA-	8	8
8	8	+V3S	7	7
9	9	RJ45TB-	6	6
10	10	RJ45TB+	5	5
11	11	RJ45TC-	4	4
12	12	RJ45TD+	1	1

RJ11

1	1	TIP	1	1
2	2	RING	2	2
			1	1
			2	2

SWITCH PCB CABLE

1	1	+V3A	12	12
2	2	+V3S	11	11
3	3	A_EAPD	10	10
4	4	WLN_BY_LED#	9	9
5	5	SCAN_3S_OUT(15)	8	8
6	6	KSCAN_3S_IN(8)	7	7
7	7	KSCAN_3S_IN(9)	6	6
8	8	KSCAN_3S_IN(10)	5	5
9	9	KSCAN_3S_IN(11)	4	4
10	10	KSCAN_3S_IN(12)	3	3
11	11	KSCAN_3S_IN(13)	2	2
12	12	GND	1	1

INVENTEC

TITLE
DAVOS-DF
Cables

SIZE	CODE	DOC. NUMBER	REV
A3	CS	PC9603	A01

CHANGE by *Kevin Tseng* 4-Nov-2004

SHEET 64 OF 65

IEC / HP Davos 1.0 Schematic Changes				PV-1				
<i>HP Confidential Information</i>					Last Updated: October 28, 2004			
Item #	Component / Subsection	PG. #	Description of Requested Change	Date Open / Closed	Requested By	Status	IEC FBK/Date	
1	ITP Conn (CN22)	19	Zone C6. Add 0.1uF no install capacitors pads to the following traces: H_TMS H_TCK H_TDO H_TRST# ITP_DBRESET Place the pads as close to the ITP conn as possible and keep the stubs as short as possible.	2004/9/17	BR	Open	Zone C6. Add 0.1uF no install capacitors pads to the following traces: H_TMS(C5003) H_TCK(C5004) H_TDO(C5005) H_TRST#(C5006) ITP_DBRESET(C5007) Place the pads as close to the ITP conn as possible and keep the stubs as short as possible.	
2	Alviso	22	Zone C6. Add 0.1uF no install capacitor to H_CPURST#. Place the pads as close to Alviso as possible and keep the stubs as short as possible.	2004/9/17	BR	Open	Add C5008 to H_CPURST#. But there is no place can put the pad close to Alviso, so that put it close to ITP connector.	
3	Wireless button	63	Zone F3, Delete pin2 & 4 of SW2 to ground, made it to NC.	2004/9/27	IEC	Open	Fixed in 0927.	
4	6 in 1	50	Change pin2&3 of U42, pin1 of R720 to from +V5S to +V3S.	2004/9/27	IEC	Open	Fixed in 0927.	
5	6 in 1	50	Zone D6, Exchange pin define of CN5001, pin20, pin21.	2004/9/27	IEC	Open	Fixed in 0927.	
6	Power	11	Zone B4, Change C198 to 4.7uF_6.3V-for GSM interference issue.	2004/9/27	IEC	Open	Fixed in 0927.	
7	Thermal	20	Zone D5, Change C290 to 4.7uF_6.3V-for GSM interference issue.	2004/9/27	IEC	Open	Fixed in 0927.	
8	CRT	30	Zone C1, Add three analog bus switches to the RGB lines going to the notebook CRT connector.	2004/9/17	HP	Open	Zone C1, Add three analog bus switches(U2001, U2002, U2003) to the RGB lines going to the notebook CRT connector.	
9	CLK gen	15	Zone C3, Change CLK_R3S_CBPCI from pin5(PCI5) of U30 to pin56(PCI2), Separate CLK_R3S_SIOPCI and CLK_R3S_FWHPCI from pin4(PCI4), and connect CLK_R3S_SIOPCI to pin5(PCI5) of U30.	2004/10/4	IEC	Open	Fixed in 1004.	
10	CLK gen	15	Zone C3, Change R667, R712, R397, R650 to 12.1_1%, change R398, R711 to 33_5%.	2004/10/4	IEC	Open	According to Sonoma Platform Design Guide, PCICLK for sharing and alone should be different resistor value, 12.1% for sharing, 33_5% for alone.	
11	ITP port	19	Zone C5, change R303 to open.	2004/10/4	IEC	Open	According to Sonoma Platform Design Guide Section 4.6.1.4 – ITP disable guidelines, we don't need R303 on TDO, if ITP disable.	
12	CLK gen	15	Zone B6, Change R329, R330 to open.	2004/10/4	IEC	Open	For ITP disable.	
13	NIC	15	Change NIC cotroller and related circuits to FF used.	2004/10/4	IEC	Open	For FF and DF schematic be separated.	
14	Powergood circuit	13, 14	Sheet 13 zone C3. Connect PWR_GOOD_3 signal to pin 3 of Q28. Sheet 14 zone A6. Change R138 from10K5% to OPEN.	2004/10/6	BR	Open	This fixes OTS#138447 System will reboot instead of going into standby.--Fixed in 10/07.	
15	Audio	45	Zone B7. Change C286 from 330uF_6.3V_METAL to OPEN	2004/10/6	BR	Open	Fixes OTS#014280 and OTS#0142219 Audio noise issues. This capacitor is not needed per our audio engineer.--Fixed in 10/07.	
16	North bridge	24	Zone D4. Change L23 to FBM_11_322513_201A40T---in order to can handle up to 4A.	2004/10/7	HP	Open	--Fixed in 10/07.	

17	NIC	56	Zone E8, Remove CN28 for lan signal to docking going to on board.	2004/10/8	IEC	Open	--Fixed in 10/08.
18	NIC	57	Zone E8, Remove CN10 for lan signal to docking going to on board.	2004/10/8	IEC	Open	--Fixed in 10/08.
19	All	All	Change reference, C5003->C713, C5004->C714, C5005->C715, C5006->C716, C5007->C717, C5008->C718, U2001->U512, U2001->U512, U2002->U513, U2003->U514.	2004/10/8	IEC	Open	--Fixed in 10/08.
20	Power	7	Add 1000pf cap(C719). from R743p1 to GND Add .1uf cap(C720). from U510p2 to GND Add 220k(R776) from U509p1 ()to U509p3. Disconnect V3AL_OFF# from U510p7 Disconnect Q533p3 from R742 Add NFET(Q534), tie gate to Q533p1, drain to Q533p3 and to V3AL_OFF#, and source to R742p2 & U510p1. Change U509 to MIC5235 Change R740 to 30.1k	2004/10/9	HP	Open	Issue was discovered with U510 pg7 in which it could begin to oscillate pulling down +V5AL prohibiting the system from booting. --Fixed in 10/11 schematic.
21	VGA	30	Change pin 5 of U512/U513/U514 from +V2.5S to +V5S, Change pin1 from PREP# to ISO_PREP.	2004/10/11	IEC	Open	Change its VCC to +V5S for having a lower Ron, change enable pin of switch from PREP# to ISO_PREP# for preventing switch active when system off. --Fixed in 10/11.
22	Audio	43	Change pin2 of L51 connect to pin1 of C362/C687/C686.	2004/10/11	IEC	Open	For SI2 Audio low level test failed issue. --Fixed in 10/11.
23	Power	13	Change R332 to 1K.	2004/10/12	HP	Open	470 pullup for PWR_GOOD is too strong. --Fixed in 10/12.
24	ITP	13	Add C721, C722, C723, C724, C725, C726--0.027uF no install caps on following signals--H_BPM0_ITP#, H_BPM1_ITP#, H_BPM2_ITP#, H_BPM3_ITP#, H_BPM4_PRDY#, H_BPM5_PREQ#, H_TCK.	2004/10/12	HP	Open	AC/DC transition & hang issue. --Fixed in 10/12.
25	Power	5	Zone A4, R14 from 909 change to 221----Change OCP value.	2004/10/13	IEC	Open	Issue for OCP is throttling the CPU on AC --Fixed in 10/22
26	Power	11	Zone B5, Add a 300 ohm resistor(R777) between C592 and +VBATR that can reduce Vcore drop during +VbatR raising.	2004/10/14	IEC	Open	AC/DC transition & hang issue. --Fixed in 10/22
27	Audio	45	Zone B7, Remove C286 in order to place two transformers.	2004/10/14	IEC	Open	Fixed in 10/22
28	Power	10	Delete original circuits, add U47(TPS51100), R778, C466, C467, C468, C469, C470, C471.---For M_VREF is going to 0V when the failing system (Davos SI2 Model 1 with 256MB ProMOS memory) is returning from S3.	2004/10/26	IEC	Open	Fixed in 10/26
29	NIC	56	Change U46 to Pericom PI3L301DA, add C472, C5005, C474, C475. Add one more transformer(U48) Bothhand GST5009 and C476, C477, C478, C479, R779, R780, R781, R782, C488 Also change U41 to GST5009. Add no install resistors--R783, R784, R785, R786 for DF only.	2004/10/22	IEC	Open	Fixed in 10/22--update in 11/04
30	Power	11	Add eight 0.01uF(no install) caps(C480, C481, C482, C483, C484, C485, C486, C487), and C473 no install bulk cap on +VBATR plane.--for decoupling noise from +VBATR	2004/10/22	IEC	Open	Fixed in 10/22--update in 11/04

31	RTC	32	Zone B3, Change X4 to vail used, change C389, C429 from 15pF to 10pF in bom.	2004/10/27	IEC	Open	Fixed in 10/27
32	Alviso	21	Zone C6, Change R590 from 255_1% to 243_1% to modify R,G,B max Voltage and this change can make R,G,B max Voltage meet the SPEC value.	2004/10/27	HP	Open	Fixed in 10/27
33	Switch board	63	Change R4001, R4002 from 270_5% to 1.8K--change LED brightness.	2004/10/27	HP	Open	Fixed in 10/27
34	LEDs	60	Change R483, R471 from 270_5% to 100_5%, change R478, R752 to 150_5%, change R474 to 220_5% -change LED brightness.	2004/10/27	HP	Open	Fixed in 10/27---update in 11/04
35	NIC-DF only	54	Re-install Q39, Q36, L39, U27, U29, U28, R340, R341, remove L52, R751 For BCM4401 have worse power consumption.----- We drop this change because OTS144058 had been closed by waiver approved.	2004/10/27	IEC	Open	Fixed in 10/27---update in 11/04
36	Alviso	21	Zone D1, Change R177, R194 to open.---Intel has also stated that the fix for this problem with the Alviso pulling too much current is to remove the OCDCOMP[1:0] resistors on Alviso	2004/10/28	HP	Open	Fixed in 10/28
37	ICH6	33	Zone E3, Add 100k pulldown(R787) from PM_DPRSLPVR to GND.	2004/10/28	HP	Open	Fixed in 10/28