

<http://hobi-elektronika.net>

DIABLO 13.3"

SI Build

2007.10.11

DATE	CHANGE NO.	REV

DRAWER	EE	DATE	POWER	DATE	INVENTEC			
DESIGN					TITLE DIABLO			
CHECK								
RESPONSIBLE								
SIZE =	3	VER :			SIZE A3	CODE CS	DOC. NUMBER	REV
FILE NAME :	XXXX-XXXXXX-XX				SHEET	1	OF	61
P/N	XXXXXXXXXXXX							

<http://hobi-elektronika.net>

TABLE OF CONTENTS

PAGE	PAGE	PAGE
5- DC& BATTERY CHARGER	15- CLOCK_ICS9LPRS355BGLFT	36-
6- BATTERY CONN	16- MEROM-1	37- HDD&ODD CONN
7- SYSTEM POWER(3V/5V)	17- MEROM-2	38- USB CONN
8- SYSTEM POWER(+V1.8/+V1.25S)	18- MEROM-3	39- KBC & IR & SPI BIOS & T/P Conn
9- GRAPHIC POWER(+VGFX_CORE)	19- THERMAL & FAN Conn	40- KB&TP Disable CONN
10- SYSTEM POWER(+VCCP/+V1.5S)	20- Crestline-1	41- AUDIO CODEC
11- CPU POWER(VCC_CORE)	21- Crestline-2	42- AUDIO AMP-HP MIC VOL
12- DDR TERMINATION VOLTAGE	22- Crestline-3	43- MDC CONN & Audio Jack
13- POWER(SLEEP)	23- Crestline-4	44- LAN CONTROLLER- RTL8111C
14- POWER(SEQUENCE)	24- Crestline-5	45- LAN POWER
	25- Crestline-6	46- RJ45 CONN
	26- DDR2-DIMM0	47- MINICARD CONN
	27- DDR2-DIMM1	48- HDMI CONN & NEW CARD CONN
	28- DDR2-DAMPING	49- LED & BUTTON
	29- CRT CONN	50- SCREW
	30- LCM CONN	51- TOUCHPAD BOARD
	31- ICH8-1	52- WEB CAM & FINGER PRINT Conn
	32- ICH8-2	53- AU6371 Cardreader & 4 IN 1 Conn
	33- ICH8-3	54- External Board
	34- ICH8-4	55- nVIDIA NB8MGS-1
	35- ICH8-5	56- nVIDIA NB8MGS-2
		57- nVIDIA NB8MGS-3
		58- nVIDIA NB8MGS-4
		59- nVIDIA NB8MGS-5
		60- VRAM-1
		61- VRAM-2

INVENTEC

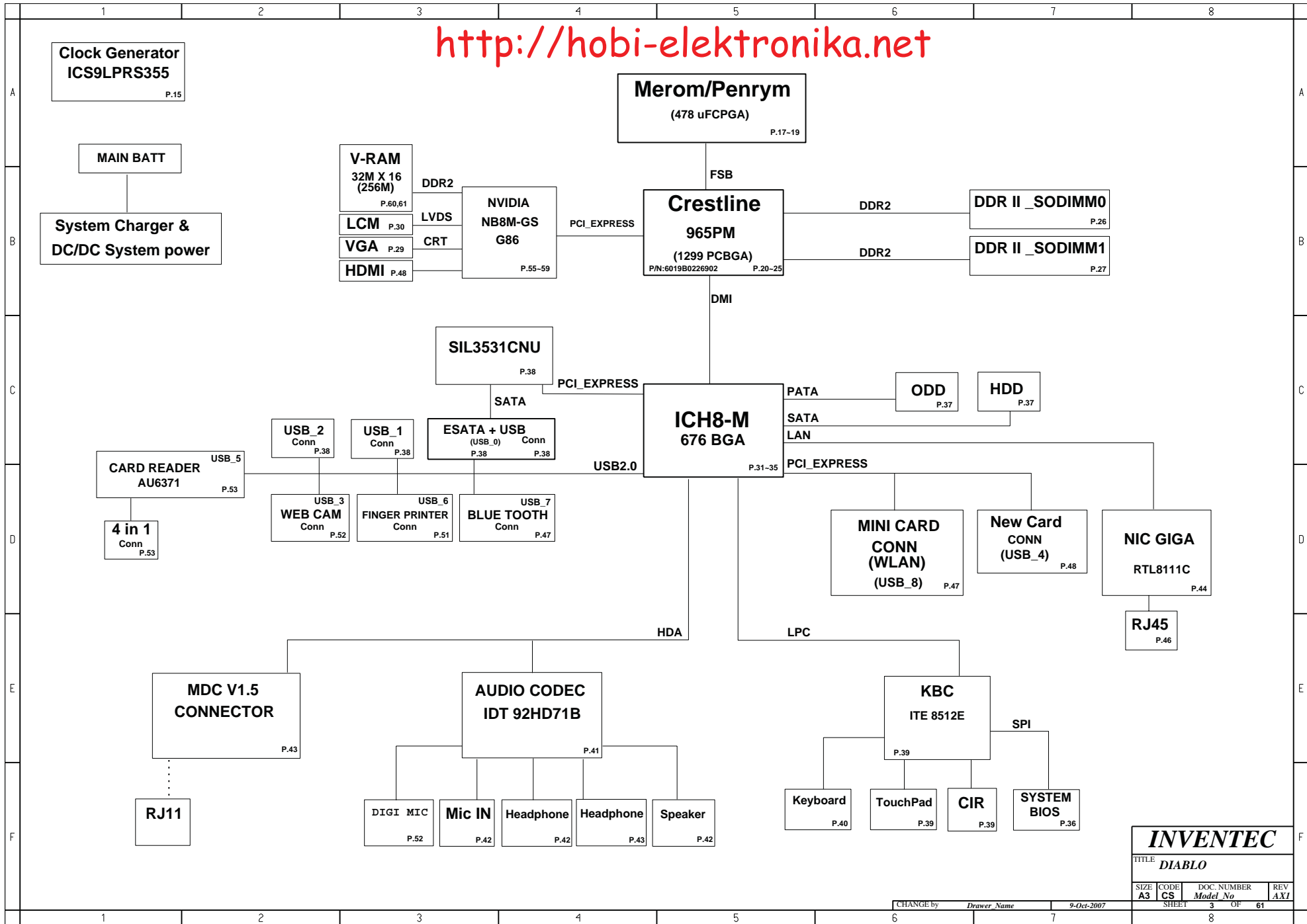
TITLE
DIABLO

SIZE A3	CODE CS	DOC. NUMBER <i>Model No</i>	REV AX1
-------------------	-------------------	--------------------------------	-------------------

CHANGE by *Drawer Name* 9-Oct-2007

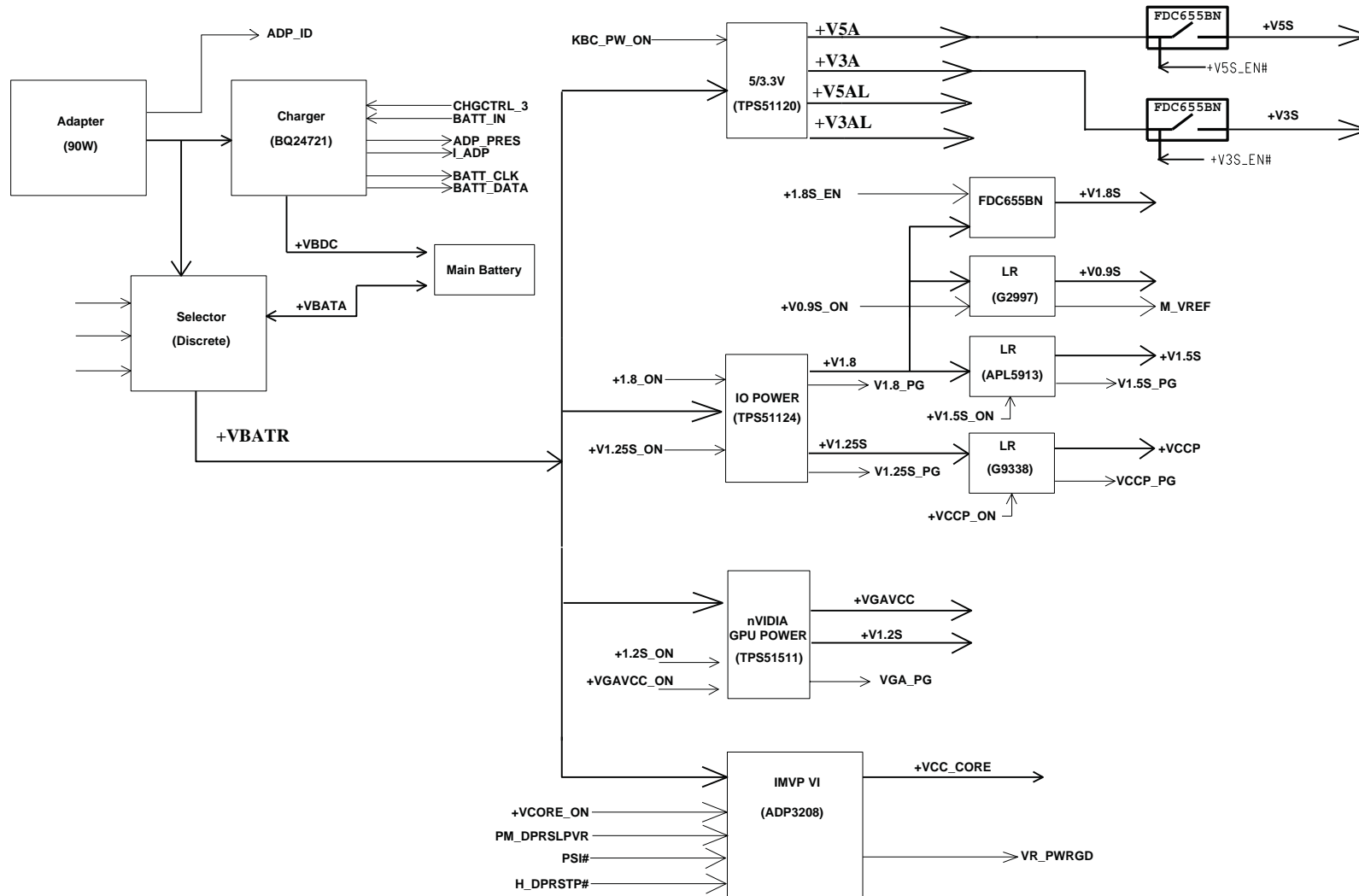
SHEET 2 OF 61

<http://hobi-elektronika.net>



INVENTEC			
TITLE <i>DIABLO</i>			
SIZE A3	CODE CS	DOC. NUMBER <i>Model No</i>	REV AX1
CHANGE by <i>Drawer Name</i>		9-Oct-2007	SHEET 3 OF 61

<http://hobi-elektronika.net>



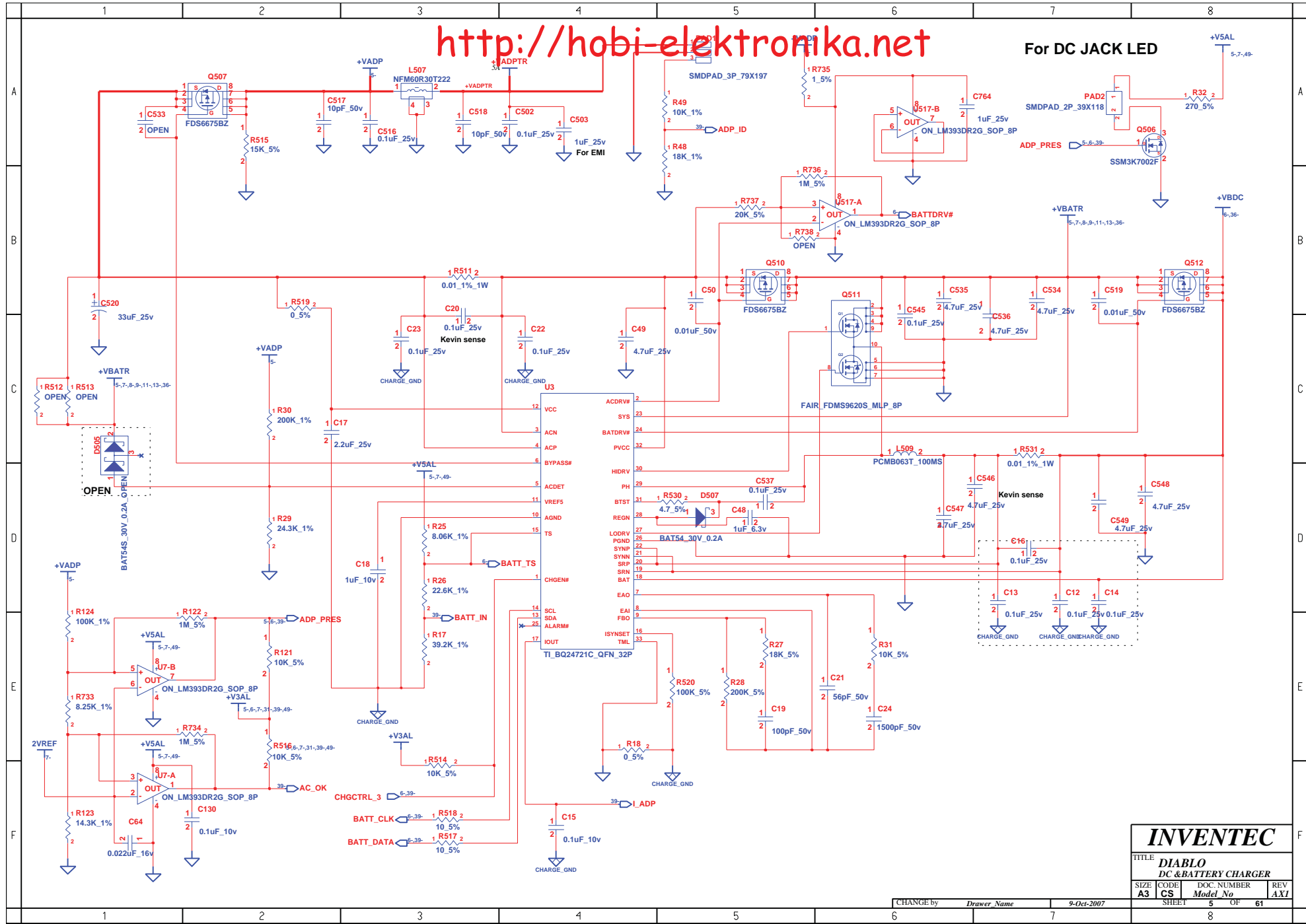
INVENTEC

TITLE
DIABLO

SIZE A3	CODE CS	DOC. NUMBER <i>Model No</i>	REV AX1
CHANGE by <i>Drawer Name</i>		9-Oct-2007	SHEET 4 OF 61

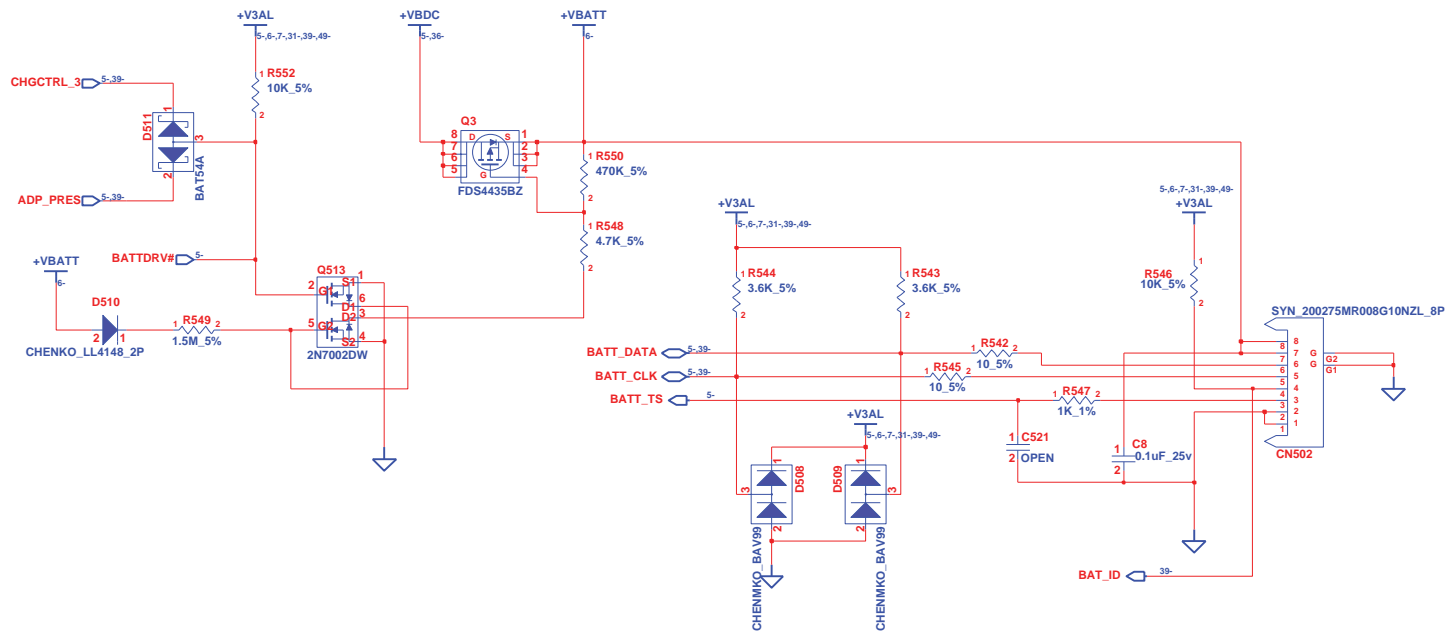
<http://hobi-elektronika.net>

For DC JACK LED



INVENTEC			
TITLE DIABLO DC & BATTERY CHARGER			
SIZE A3	CODE CS	DOC NUMBER <i>Model No</i>	REV AX1
CHANGE by <i>Drawer Name</i>		9-Oct-2007	
SHEET		5 OF 61	

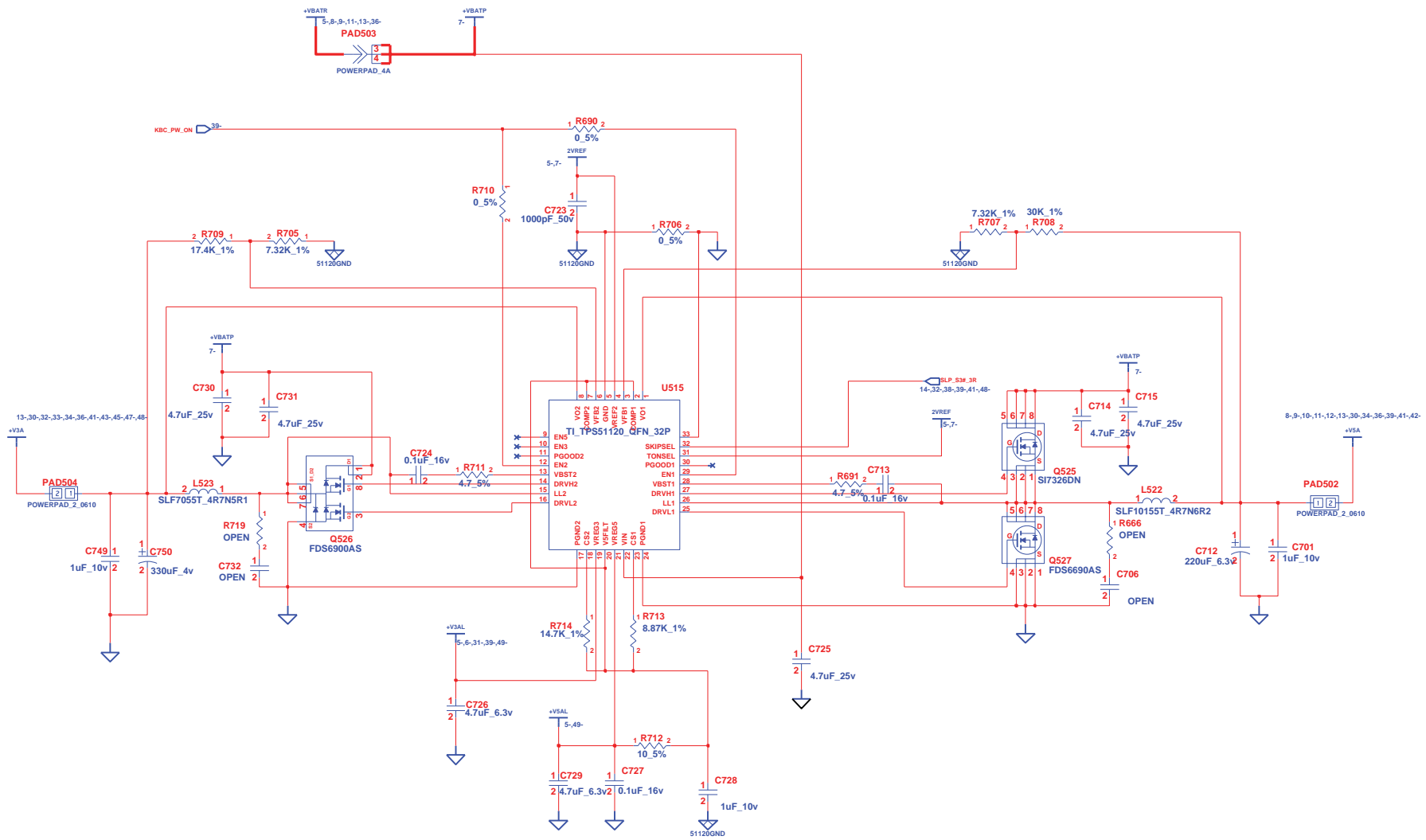
<http://hobi-elektronika.net>



INVENTEC

TITLE			
DIABLO			
BATTERY CONN			
SIZE	CODE	DOC. NUMBER	REV
A3	CS	Model No	AXI
CHANGE by		Drawer Name	9-Oct-2007
SHEET		6	OF 61

<http://hobi-elektronika.net>



INVENTEC

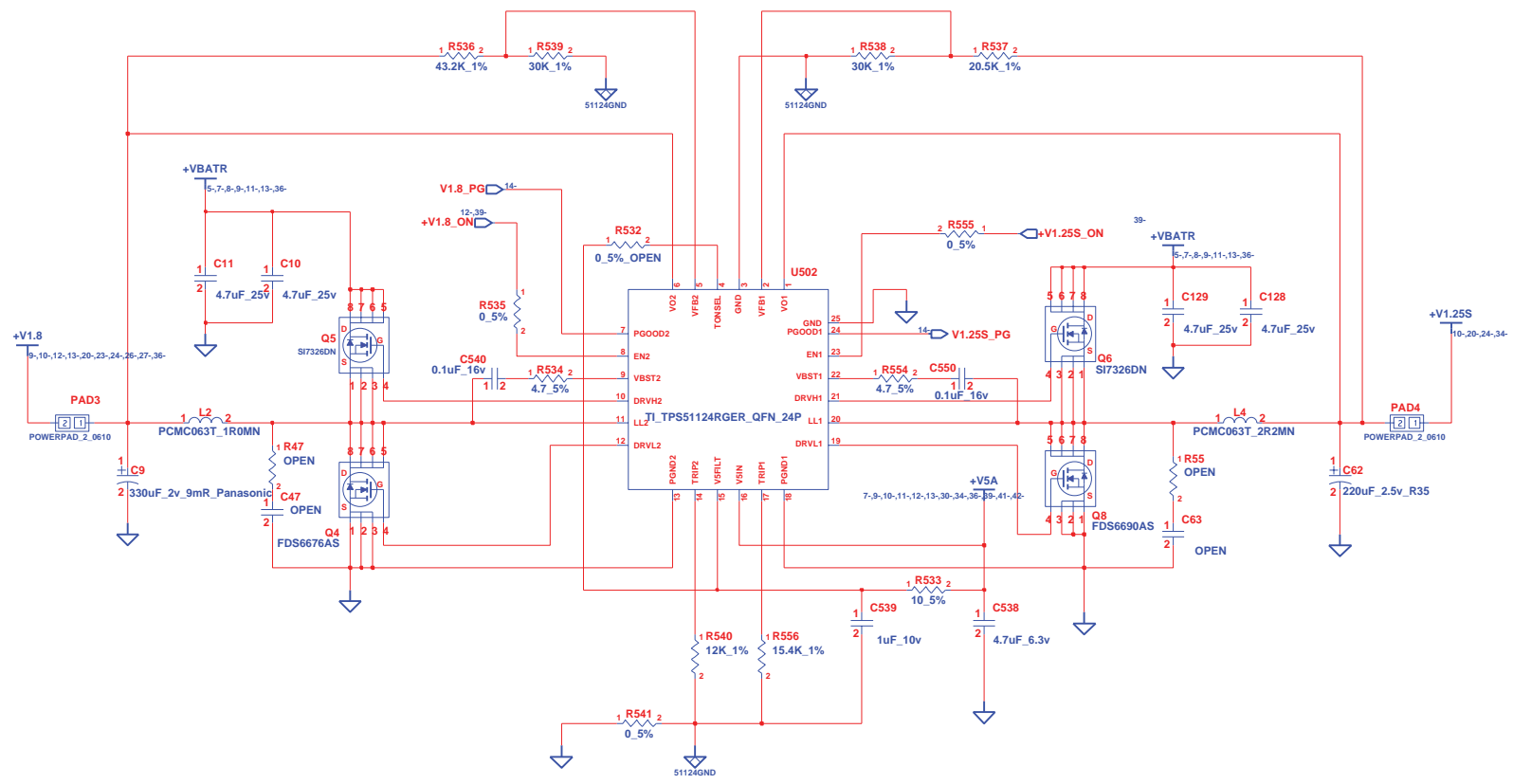
TITLE
DIABLO
SYSTEM POWER(3V/5V/12V)

SIZE A3	CODE CS	DOC. NUMBER <i>Model No</i>	REV AXI
-------------------	-------------------	--------------------------------	-------------------

CHANGE by *Drawer Name* 9-Oct-2007

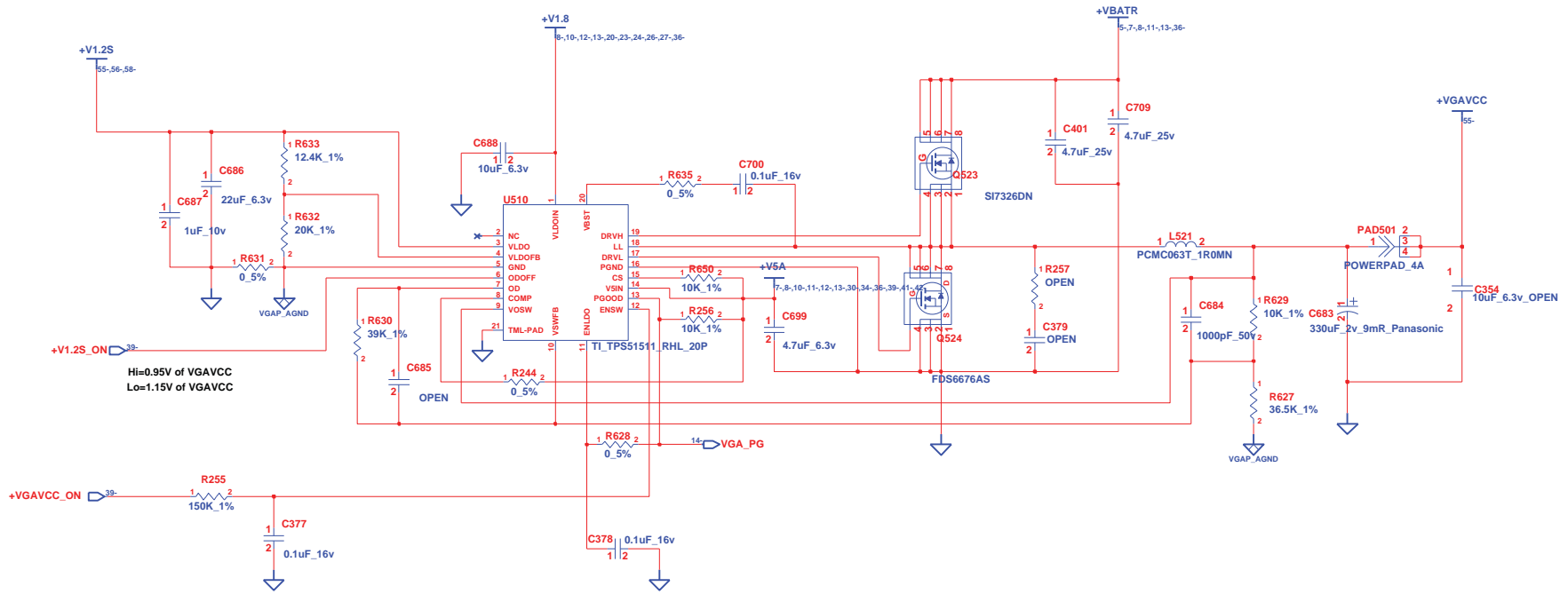
SHEET 7 OF 61

<http://hobi-elektronika.net>



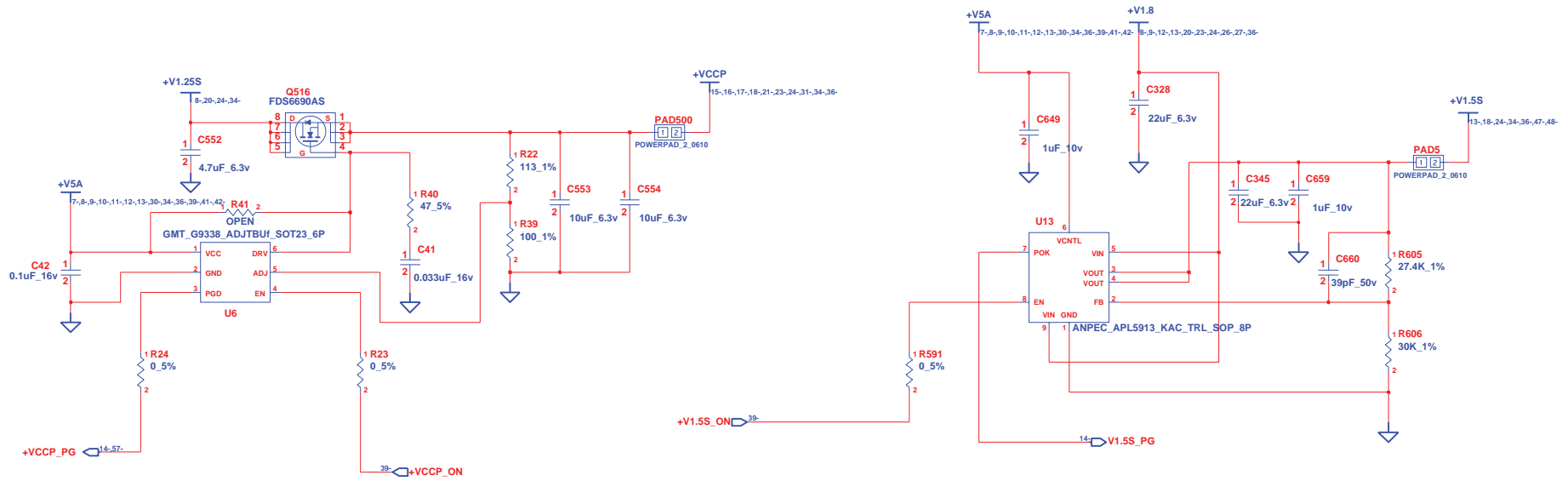
INVENTEC			
TITLE DIABLO			
SYSTEM POWER(+V1.8/+V1.25S)			
SIZE A3	CODE CS	DOC. NUMBER Model No	REV AX1
CHANGE by Drawer Name		9-Oct-2007	SHEET 8 OF 61

<http://hobi-elektronika.net>



INVENTEC			
TITLE			
DIABLO GRAPHIC POWER (+VGF_X_CORE)			
SIZE	CODE	DOC. NUMBER	REV
A3	CS	Model No	AXI
CHANGE by		Drawer Name	9-Oct-2007
SHEET		9	OF 61
		8	

<http://hobi-elektronika.net>

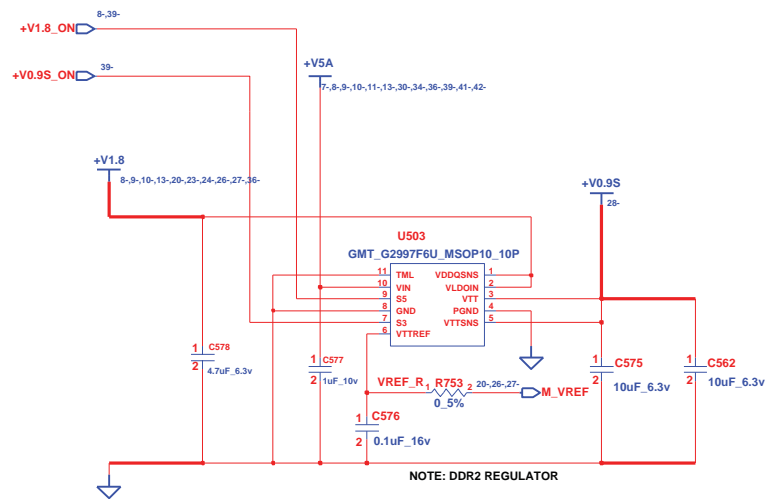


	R579	R576	R578	R577
G9338	0 ohm	OPEN	OPEN	0 ohm
SC339	OPEN	0 ohm	0 ohm	OPEN

INVENTEC

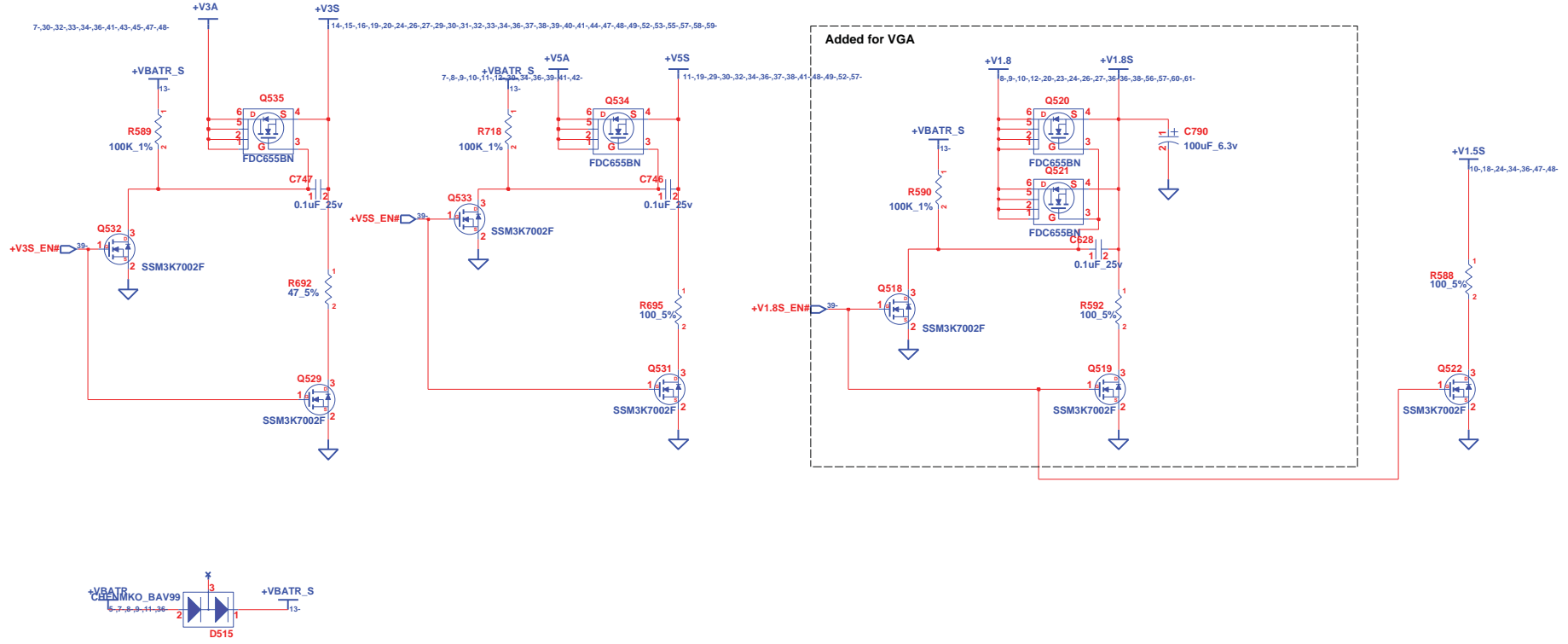
TITLE			
DIABLO			
SYSTEM POWER(+VCCP/+V1.5S)			
SIZE	CODE	DOC. NUMBER	REV
A3	CS	Model No	AXI
CHANGE by		Drawer Name	9-Oct-2007
SHEET		10	OF 61

<http://hobi-elektronika.net>



INVENTEC			
TITLE DIABLO DDR TERMINATION VOLTAGE			
SIZE A3	CODE CS	DOC. NUMBER Model No	REV AX1
CHANGE by Drawer Name		9-Oct-2007	SHEET 12 OF 61

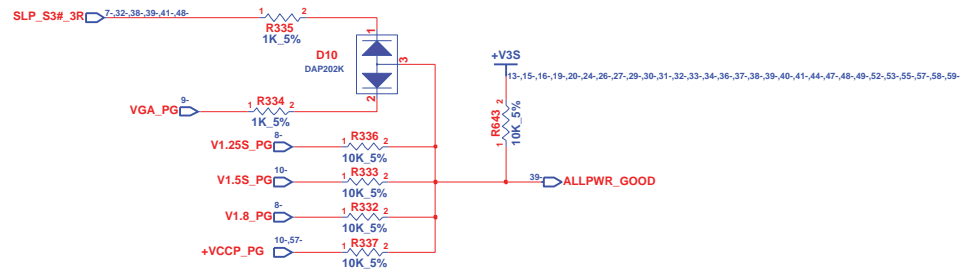
<http://hobi-elektronika.net>



INVENTEC

TITLE			
DIABLO POWER(SLEEP)			
SIZE	CODE	DOC. NUMBER	REV
A3	CS	Model No	AXI
CHANGE by		Drawer Name	9-Oct-2007
SHEET		13	OF 61

<http://hobi-elektronika.net>

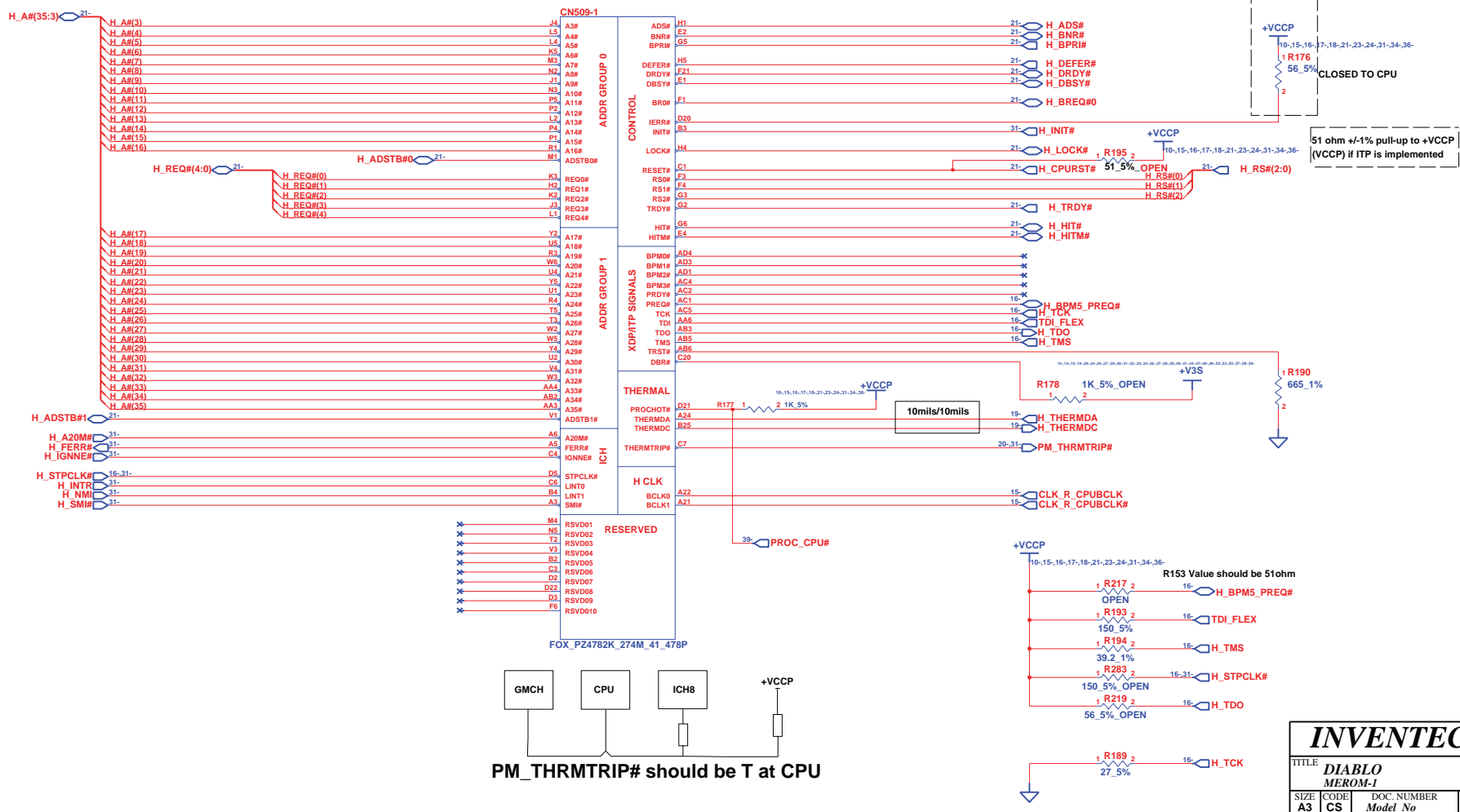


INVENTEC

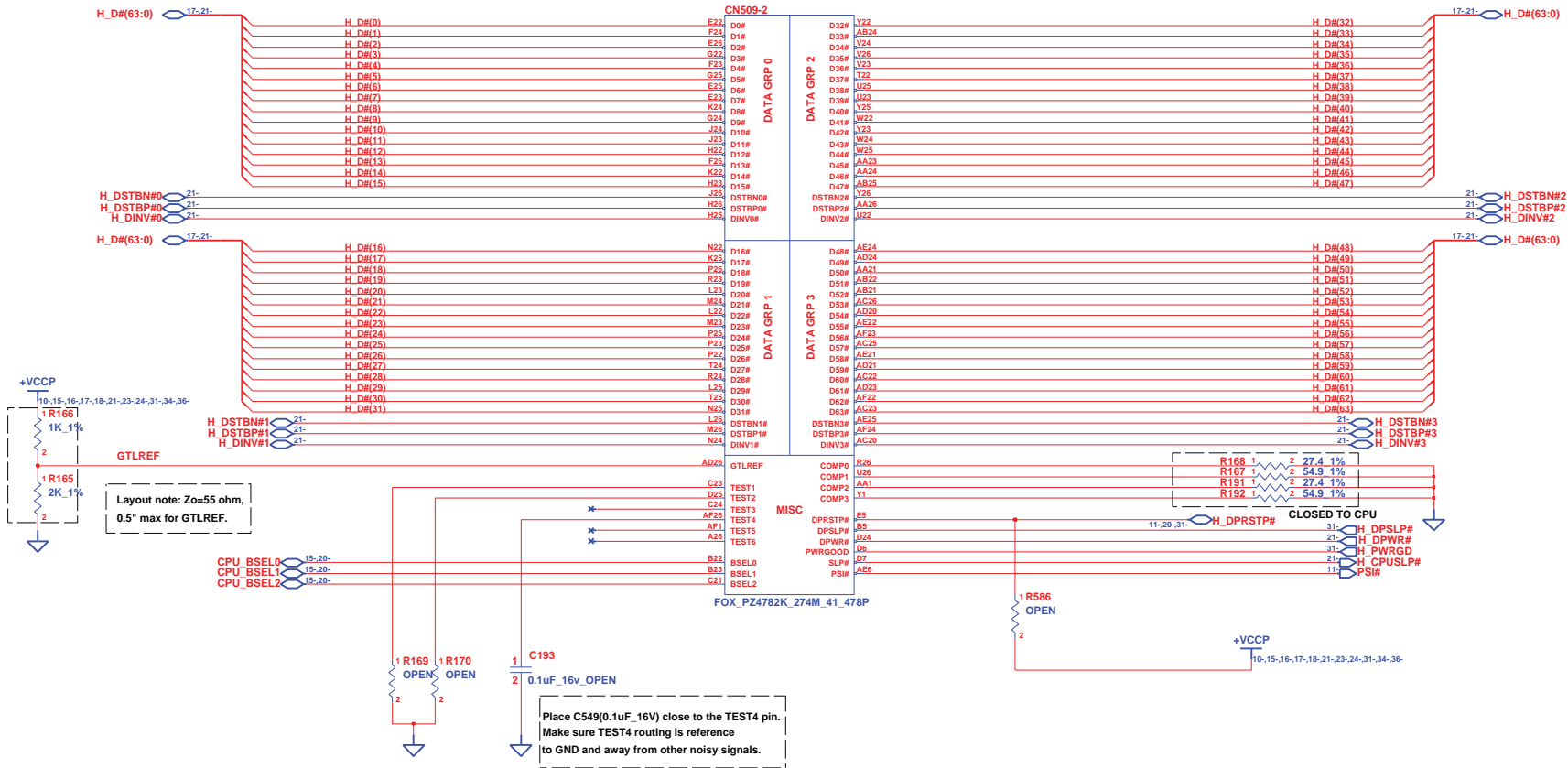
TITLE			
DIABLO			
POWER(SEQUENCE)			
SIZE	CODE	DOC. NUMBER	REV
A3	CS	Model No	AX1

CHANGE by *Drawer Name* 9-Oct-2007

SHEET 14 OF 61



<http://hobi-elektronika.net>



INVENTEC			
TITLE DIABLO MEROM-2			
SIZE A3	CODE CS	DOC. NUMBER <i>Model No</i>	REV AX1
CHANGE by <i>Drawer Name</i>		9-Oct-2007	SHEET 17 OF 61

1 2 3 4 5 6 7 8

A

B

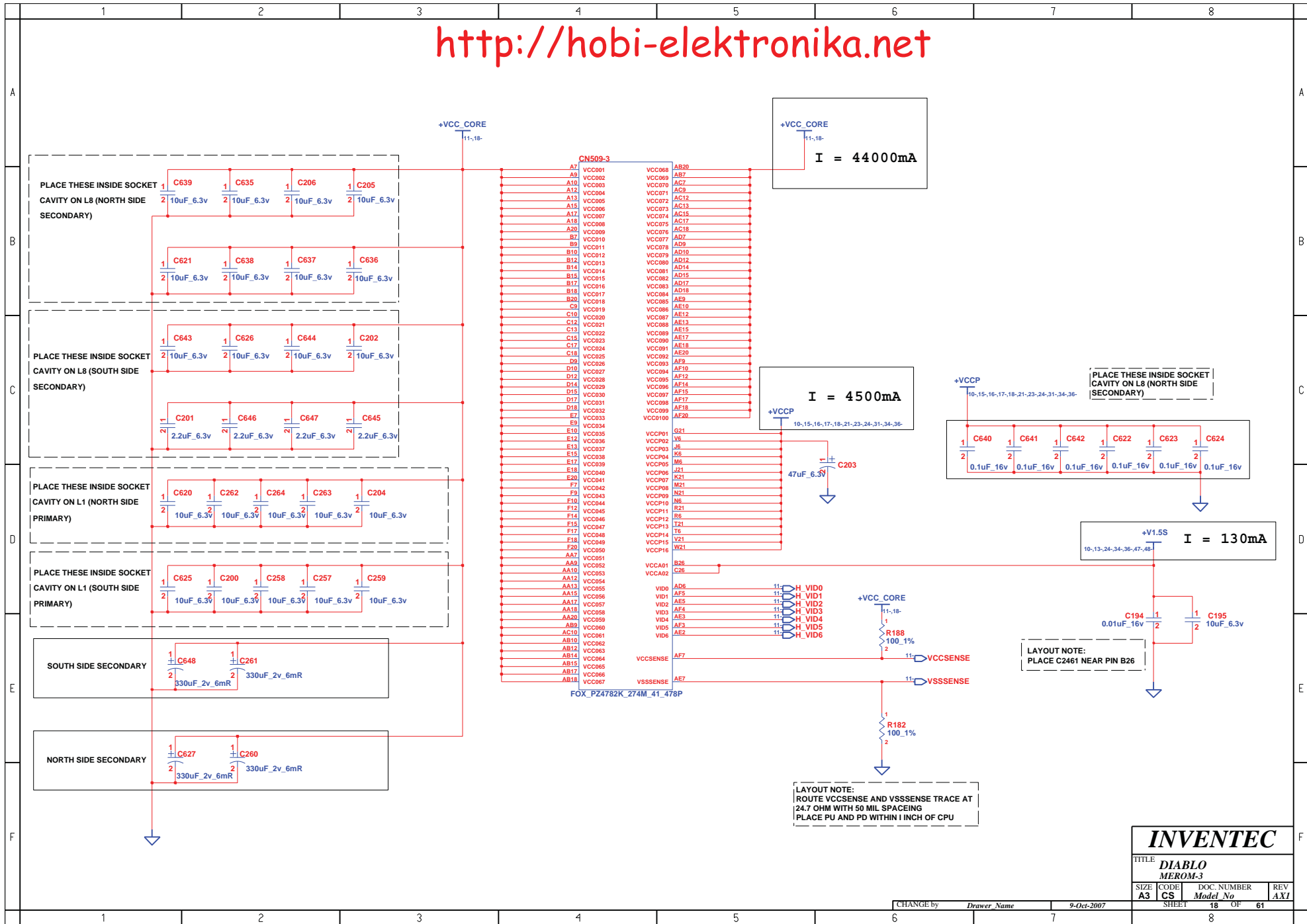
C

D

E

F

<http://hobi-elektronika.net>



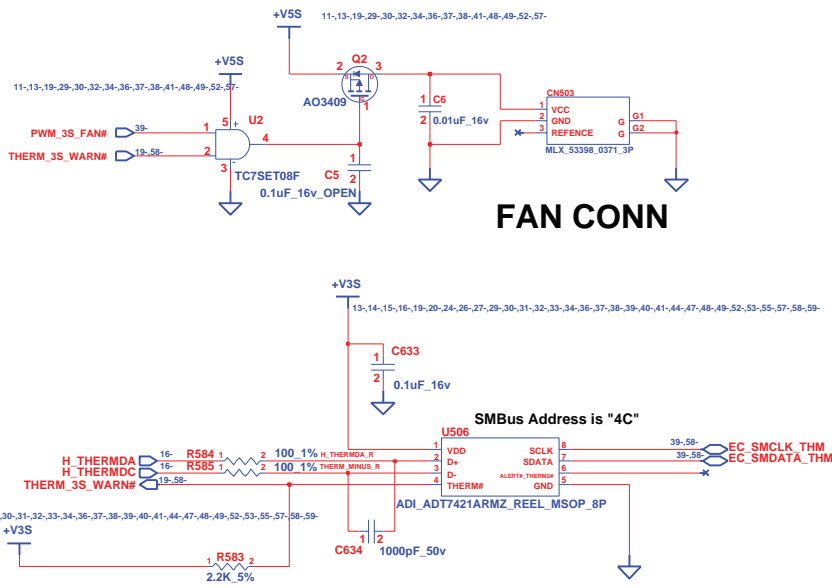
INVENTEC

TITLE			
DIABLO MEROM-3			
SIZE	CODE	DOC. NUMBER	REV
A3	CS	Model No	AX1
CHANGE by		Drawer Name	9-Oct-2007
SHEET		18	OF 61

A
B
C
D
E
F

A
B
C
D
E
F

CN509-4	
A4	VSS001
A8	VSS002
A11	VSS003
A14	VSS004
A16	VSS005
A19	VSS006
A23	VSS007
A27	VSS008
B6	VSS009
B8	VSS010
B11	VSS011
B13	VSS012
B16	VSS013
B19	VSS014
B21	VSS015
B24	VSS016
C5	VSS017
C8	VSS018
C11	VSS019
C14	VSS020
C16	VSS021
C19	VSS022
C2	VSS023
C25	VSS024
C25	VSS025
D1	VSS026
D4	VSS027
D8	VSS028
D11	VSS029
D13	VSS030
D15	VSS031
D19	VSS032
D23	VSS033
D26	VSS034
E3	VSS035
E6	VSS036
E8	VSS037
E11	VSS038
E14	VSS039
E16	VSS040
E19	VSS041
E21	VSS042
E24	VSS043
F5	VSS044
F8	VSS045
F11	VSS046
F13	VSS047
F16	VSS048
F19	VSS049
F22	VSS050
F25	VSS051
F25	VSS052
G4	VSS053
G1	VSS054
G23	VSS055
G26	VSS056
H3	VSS057
H6	VSS058
H21	VSS059
H24	VSS060
J2	VSS061
J5	VSS062
J22	VSS063
J25	VSS064
K1	VSS065
K4	VSS066
K23	VSS067
K26	VSS068
L3	VSS069
L6	VSS070
L21	VSS071
L24	VSS072
M2	VSS073
M5	VSS074
M22	VSS075
M25	VSS076
N1	VSS077
N4	VSS078
N23	VSS079
N26	VSS080
F3	VSS081
	VSS163



INVENTEC

TITLE
**DIABLO
THERMAL&FAN**

SIZE A3	CODE CS	DOC. NUMBER <i>Model No</i>	REV AX1
-------------------	-------------------	--------------------------------	-------------------

SHEET 19 OF 61

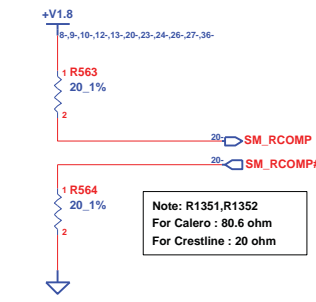
<http://hobi-elektronika.net>

NOTE: USE 4-K OHM RESISTOR WHEN INSTALLING PULL-UP/PULL-DOWN RESISTOR ON ANY MCH-CFG CONNECTION/PINS.

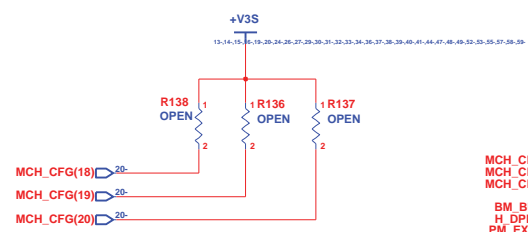
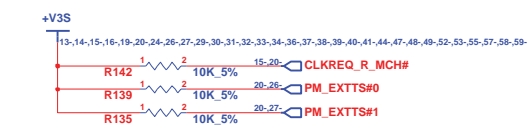
MCH_CFG(5)	LOW=DMix2 HIGH=DMix4	MCH_CFG(7) (CPU Strap)	LOW=RSVD HIGH=Mobile CPU	MCH_CFG(9) PCIe Graphics Lane	LOW=Reverse Lane HIGH=Normal operation
------------	-------------------------	---------------------------	-----------------------------	----------------------------------	---

MCH_CFG(13:12) XOR/ALLZ	00=PARTIAL CLOCK GATING DISABLE 01=XOR MODE ENABLE 10=ALL-Z MODE ENABLE 11=NORMAL OPERATION	MCH_CFG(16) (FSB Dynamic ODT)	LOW=Dynamic ODT Disable HIGH=Dynamic ODT Enable	MCH_CFG(11) PSB 4X CLK ENABLE	LOW=Dynamic ODT Disable HIGH=Dynamic ODT Enable	MCH_CFG(10) LOW=Dynamic ODT Disable HIGH=Dynamic ODT Enable	LOW=Dynamic ODT Disable HIGH=Dynamic ODT Enable
----------------------------	--	----------------------------------	--	----------------------------------	--	---	--

NOTE: CFG[2:0] STRP : 001b : 533 MT/S
011b : 667 MT/S

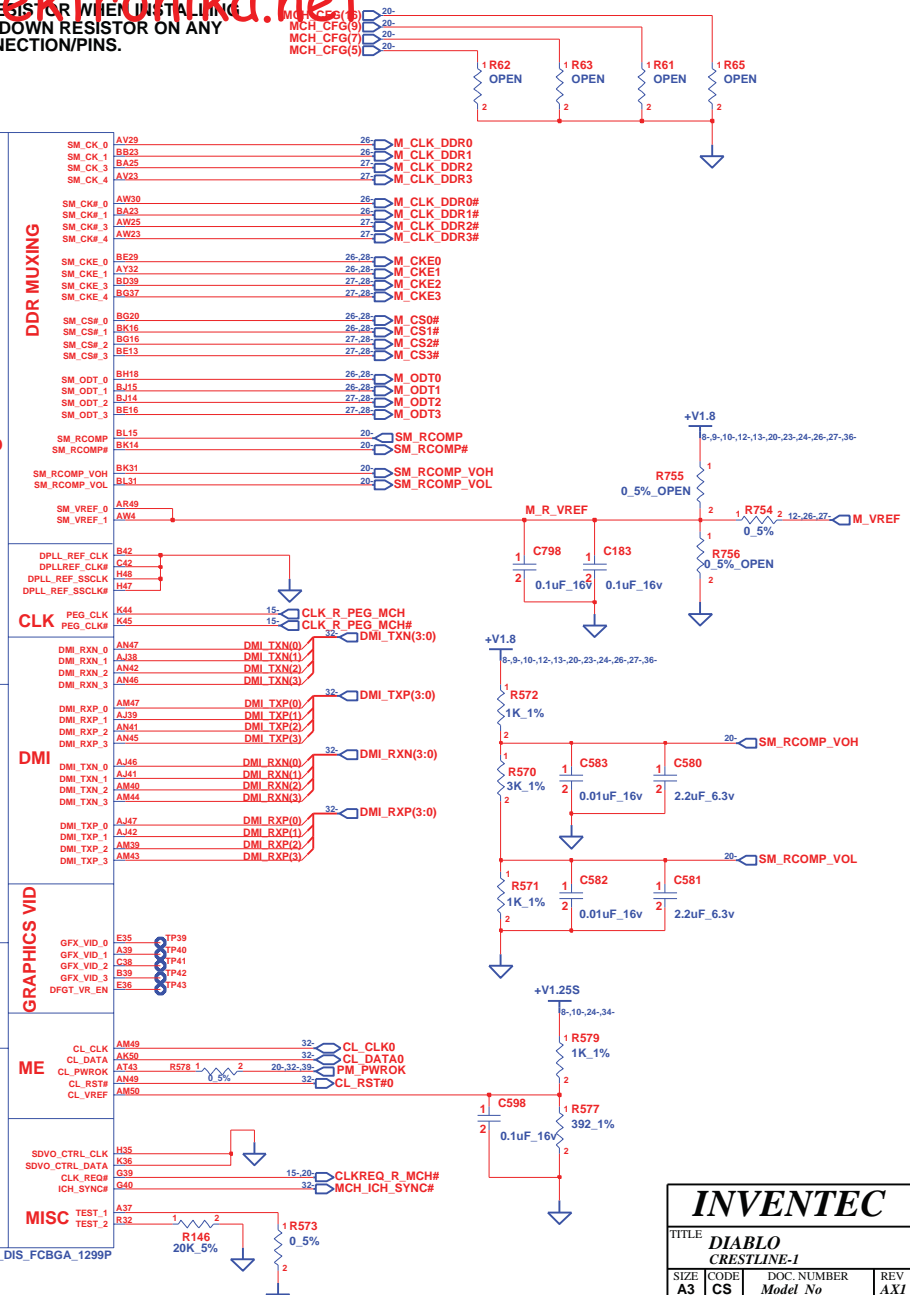
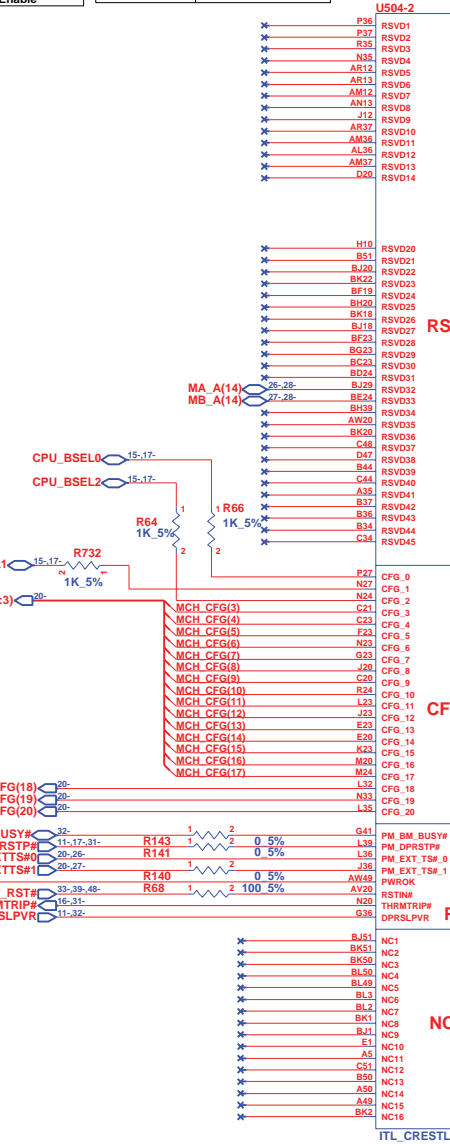


Note: R1351,R1352
For Calero : 80.6 ohm
For Crestline : 20 ohm



MCH_CFG(18) VCC SELECT	LOW=1.05V HIGH=1.5V	MCH_CFG(19) (DMI LANE REVERSAL)	LOW=NORMAL HIGH=LANES REVERSED
---------------------------	------------------------	------------------------------------	-----------------------------------

MCH_CFG(20) (PCIe BACKWARD INTERPOERABILITY MODE)	LOW=ONLY SDVO OR PCIe X1 IS OPERATIONAL HIGH=SDVO AND PCIe X1 ARE OPERATING SIMULTANEOUSLY VIA THE PEG PORT
--	--



INVENTEC

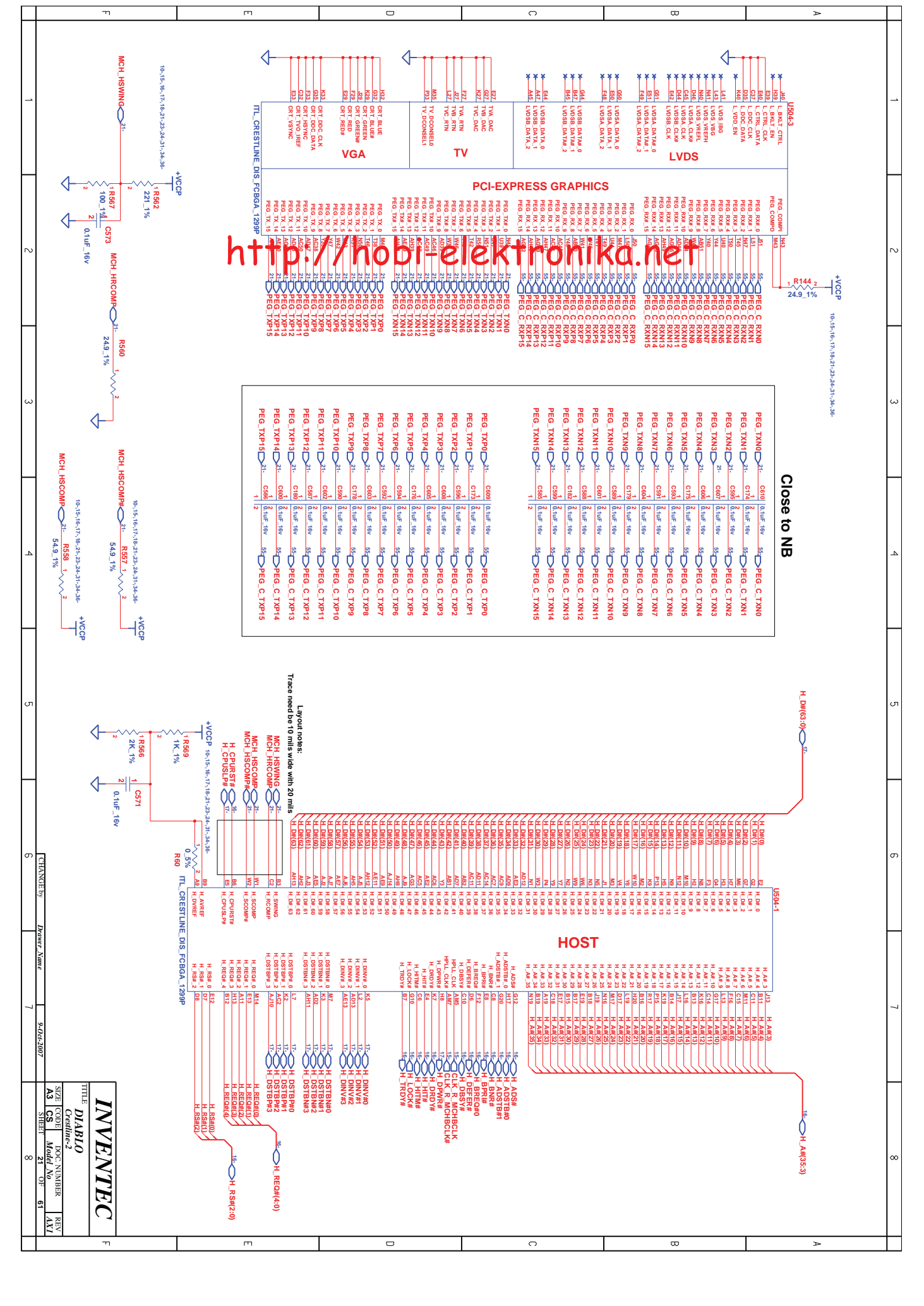
TITLE: **DIABLO CRESTLINE-1**

SIZE	CODE	DOC NUMBER	REV
A3	CS	Model No	AX1

SHEET 20 OF 61

CHANGE by *Drawer Name* 9-Oct-2007

http://hobi-elektronika.net



Close to NB

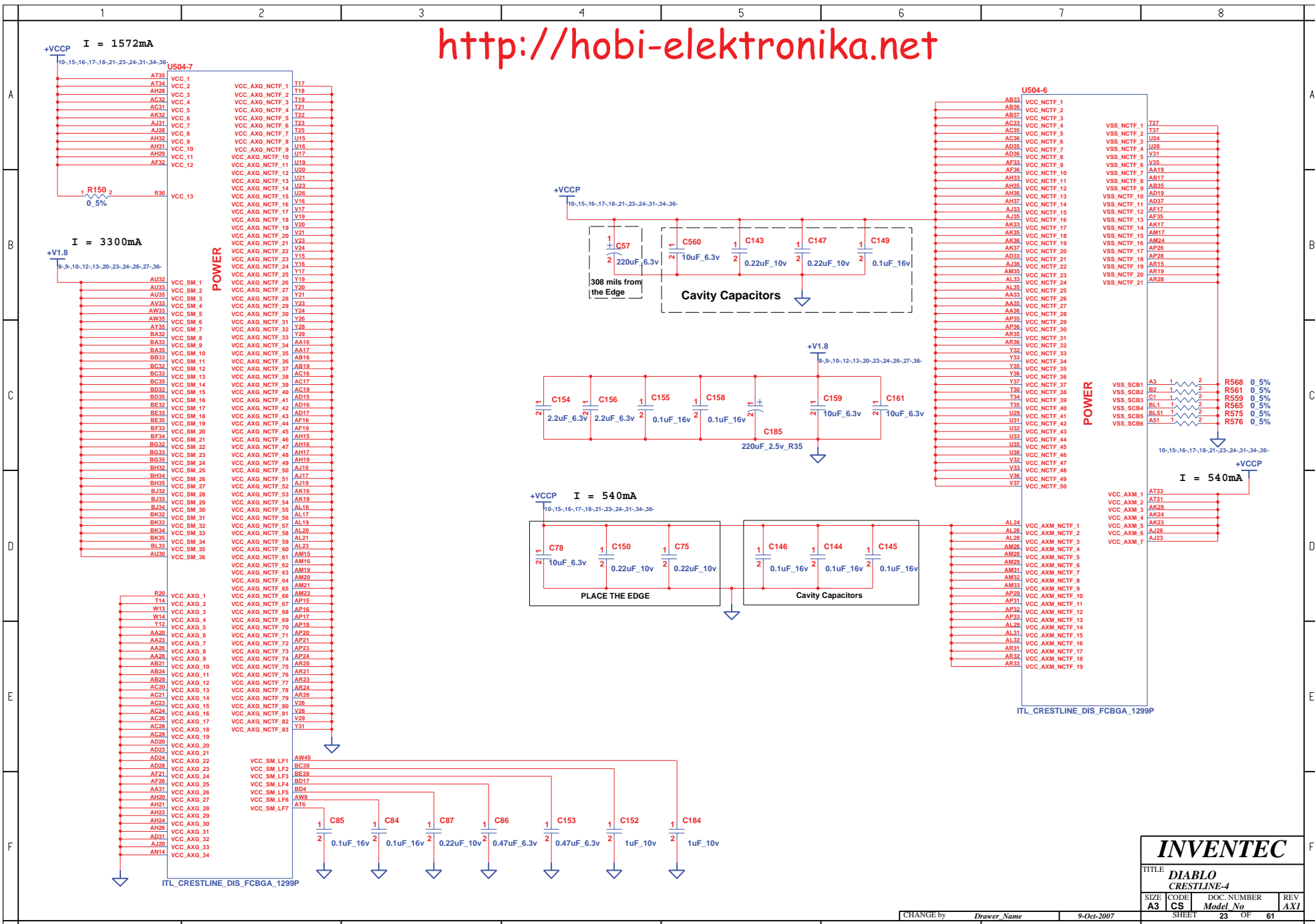
Layout notes:
Trace need be 10 mils wide with 20 mils

INVENTTEC
DIABLO
Crestline-2
Rev 1.01

SIZE	CODE	DOC NUMBER	REV
A3	CS	Model No	61

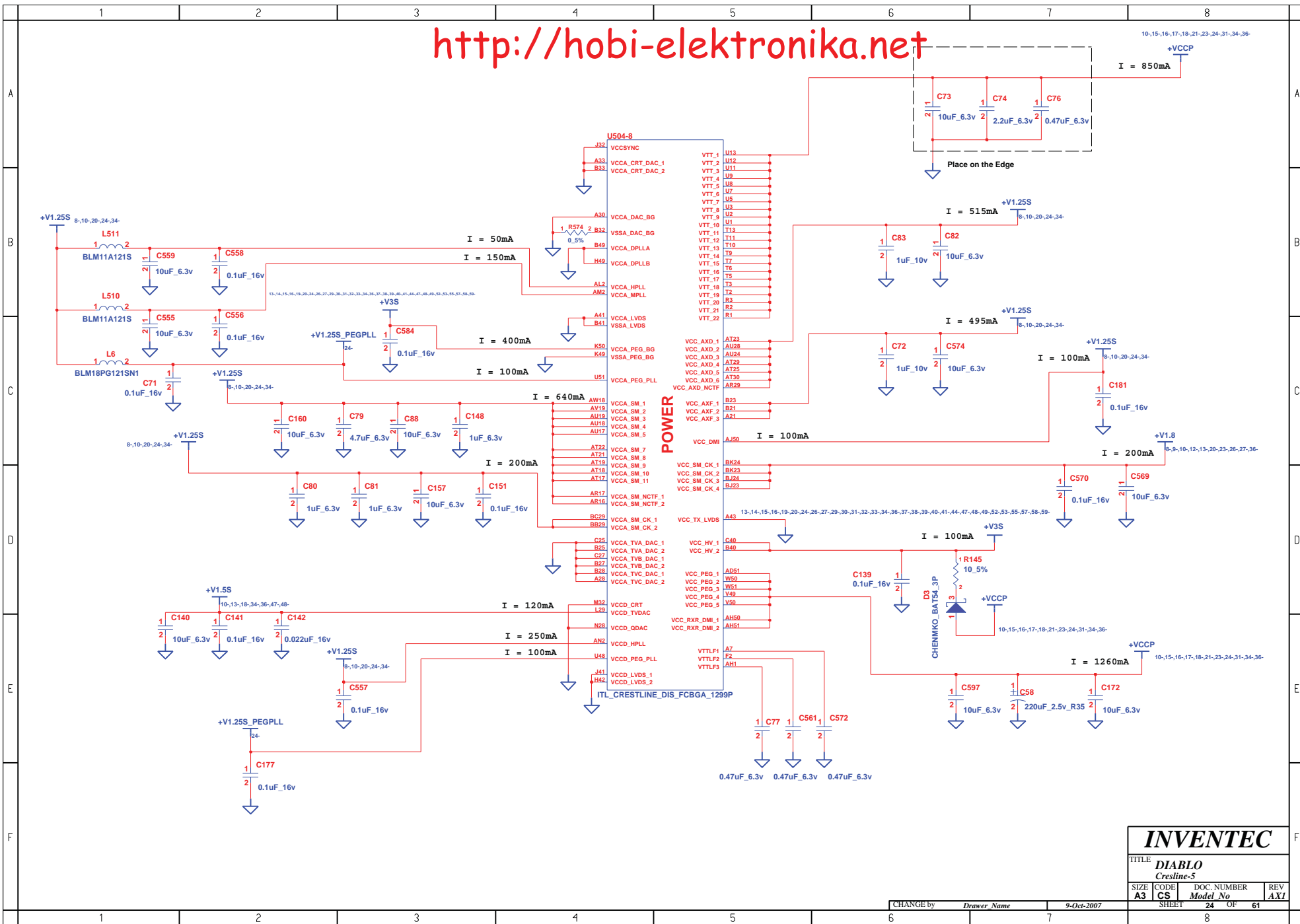
CHANGED BY: *Drewyer Name*
DATE: 2007-09-21

<http://hobi-elektronika.net>



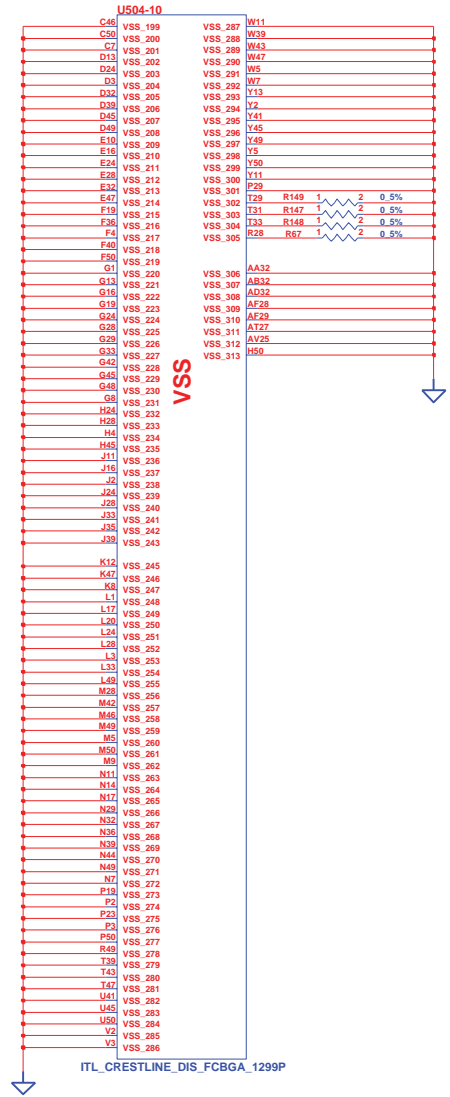
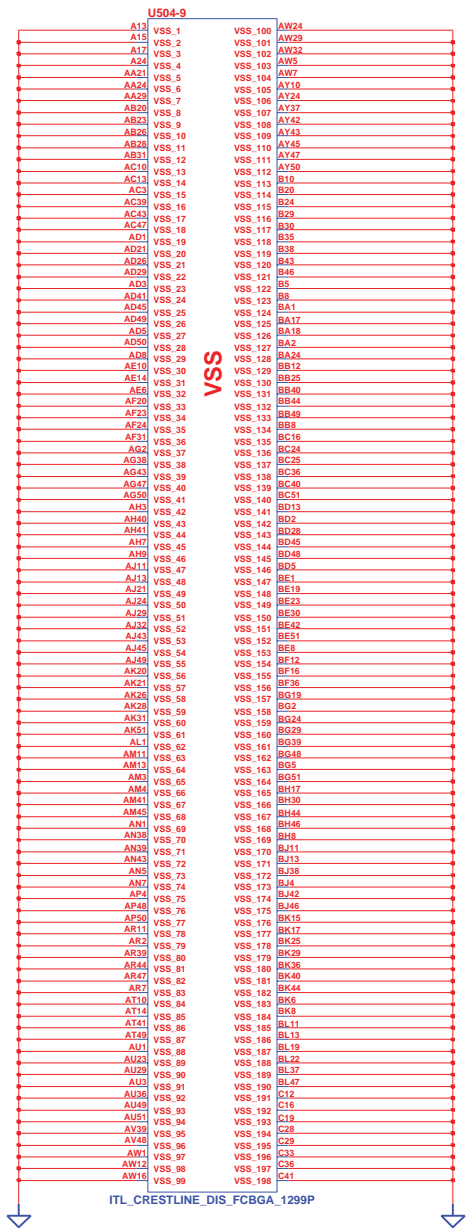
INVENTEC			
TITLE DIABLO CRESTLINE-4			
SIZE A3	CODE CS	DOC NUMBER <i>Model No</i>	REV AXI
CHANGE by <i>Drawer Name</i>		9-Oct-2007	SHEET 23 OF 61

<http://hobi-elektronika.net>



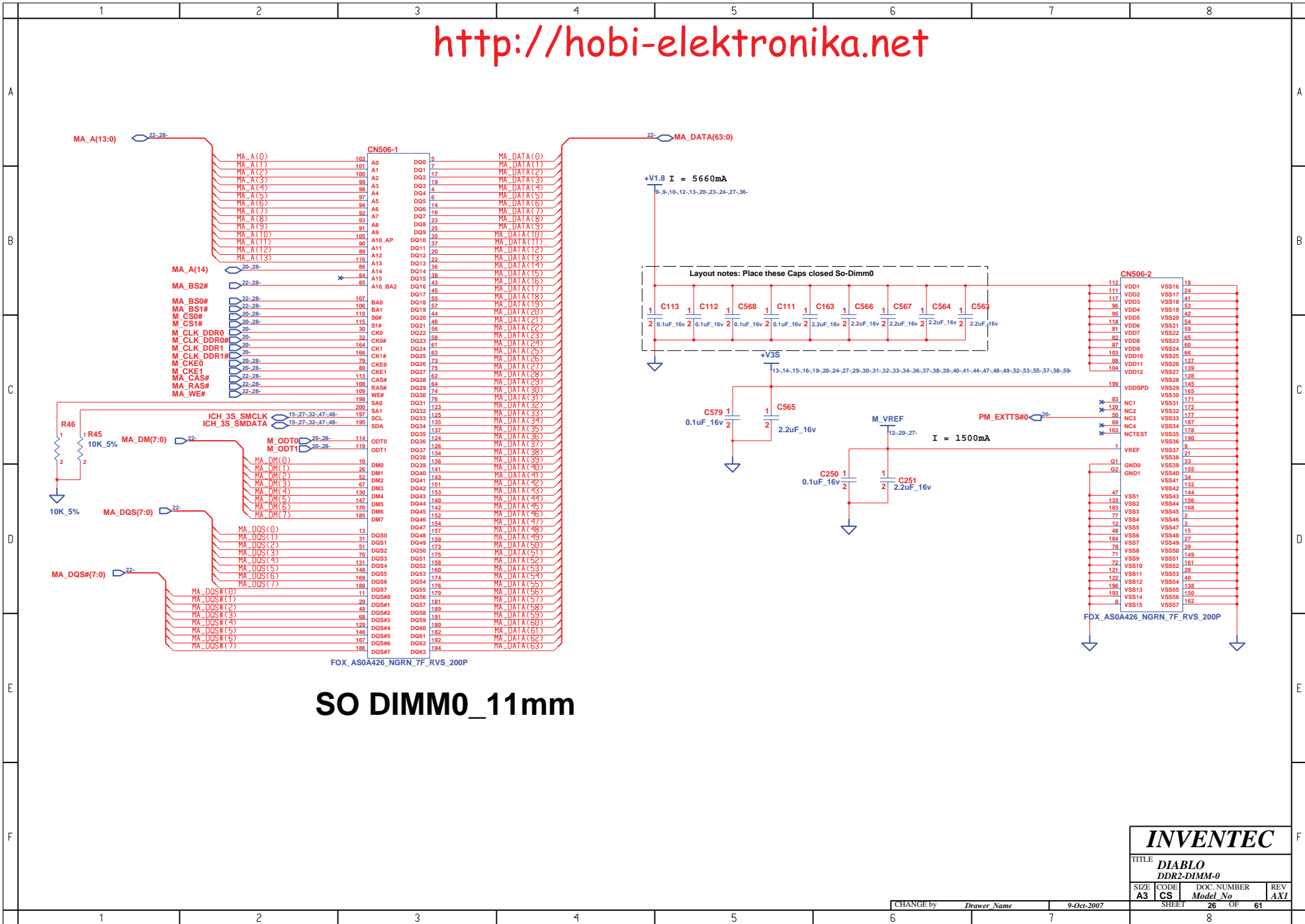
INVENTEC			
TITLE DIABLO <i>Crestline-5</i>			
SIZE A3	CODE CS	DOC. NUMBER <i>Model No</i>	REV AX1
CHANGE by <i>Drawer Name</i>		9-Oct-2007	
		SHEET 24 OF 61	

<http://hobi-elektronika.net>



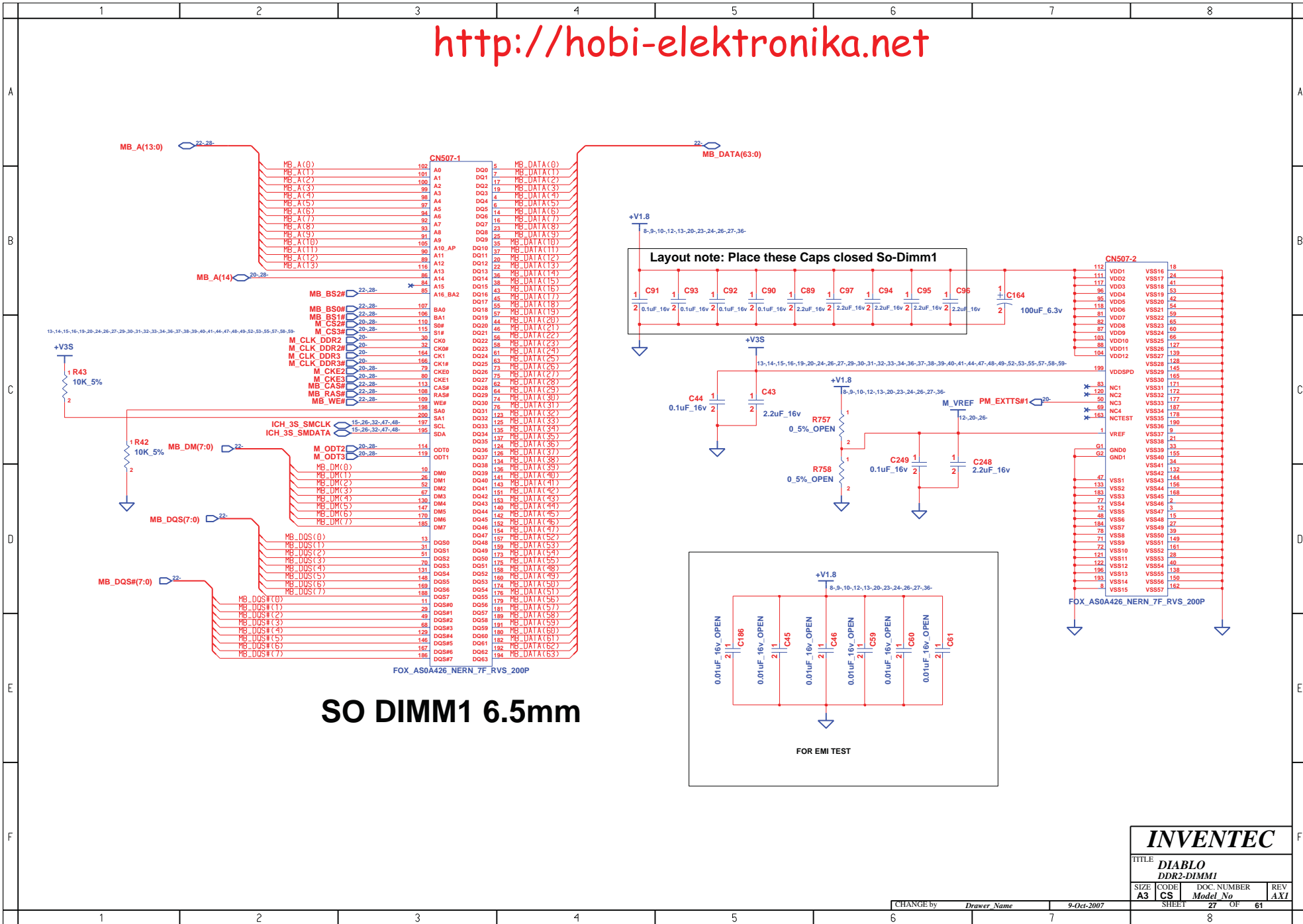
INVENTEC			
TITLE DIABLO CRESTLINE-6			
SIZE A3	CODE CS	DOC. NUMBER <i>Model No</i>	REV AXI
SHEET 25		OF 61	

CHANGE by *Drawer Name* 9-Oct-2007



SO DIMM0_11mm

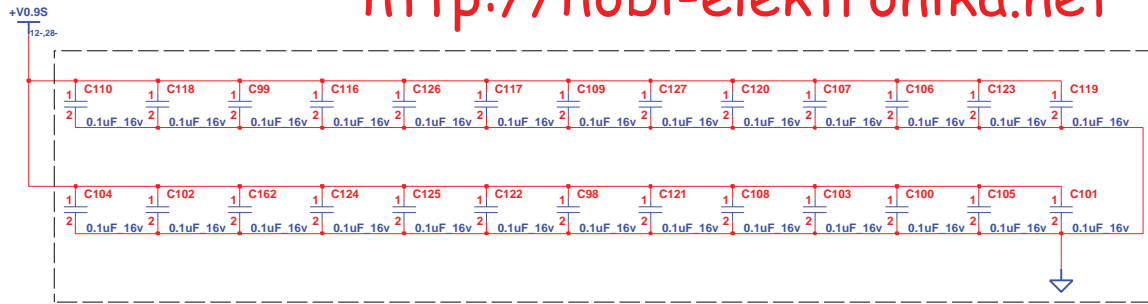
INVENTEC			
TITLE: DIABLO DDR2-DIMM-0			
SIZE: A3	CODE: CS	DOC. NUMBER: Model No	REV: AXI
CHANGE by: <i>Drawer Name</i>		9-Oct-2007	
SHEET: 26		OF: 61	



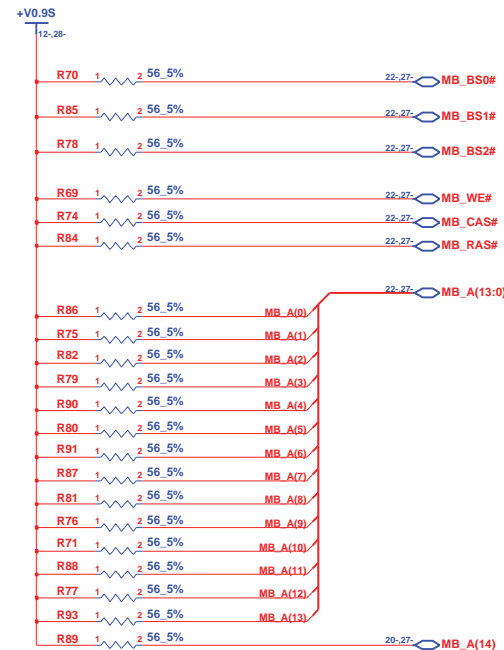
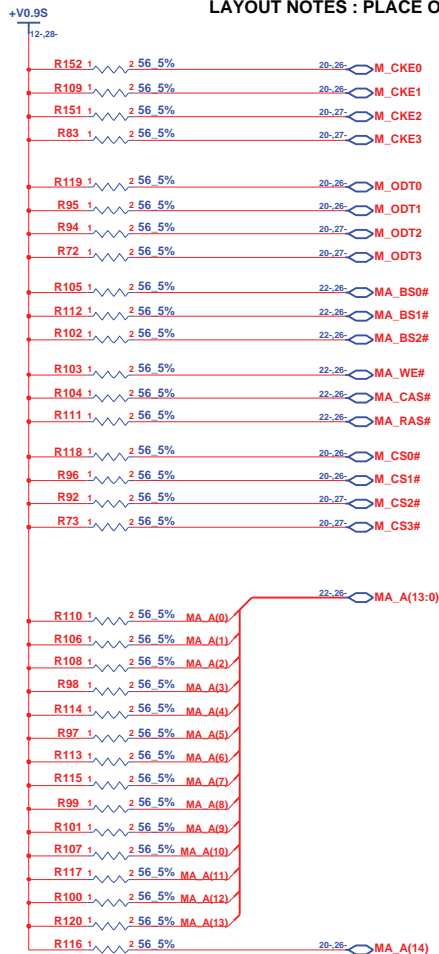
SO DIMM1 6.5mm

INVENTEC			
TITLE: DIABLO DDR2-DIMM1			
SIZE: A3	CODE: CS	DOC. NUMBER: Model No	REV: AX1
CHANGE by: <i>Drawer Name</i>		9-Oct-2007	
SHEET: 27		OF: 61	

<http://hobi-elektronika.net>



LAYOUT NOTES : PLACE ONE CAP CLOSE TO EVERY 2 PULL UP RESISTOR TERMINATED TO +V0.9S

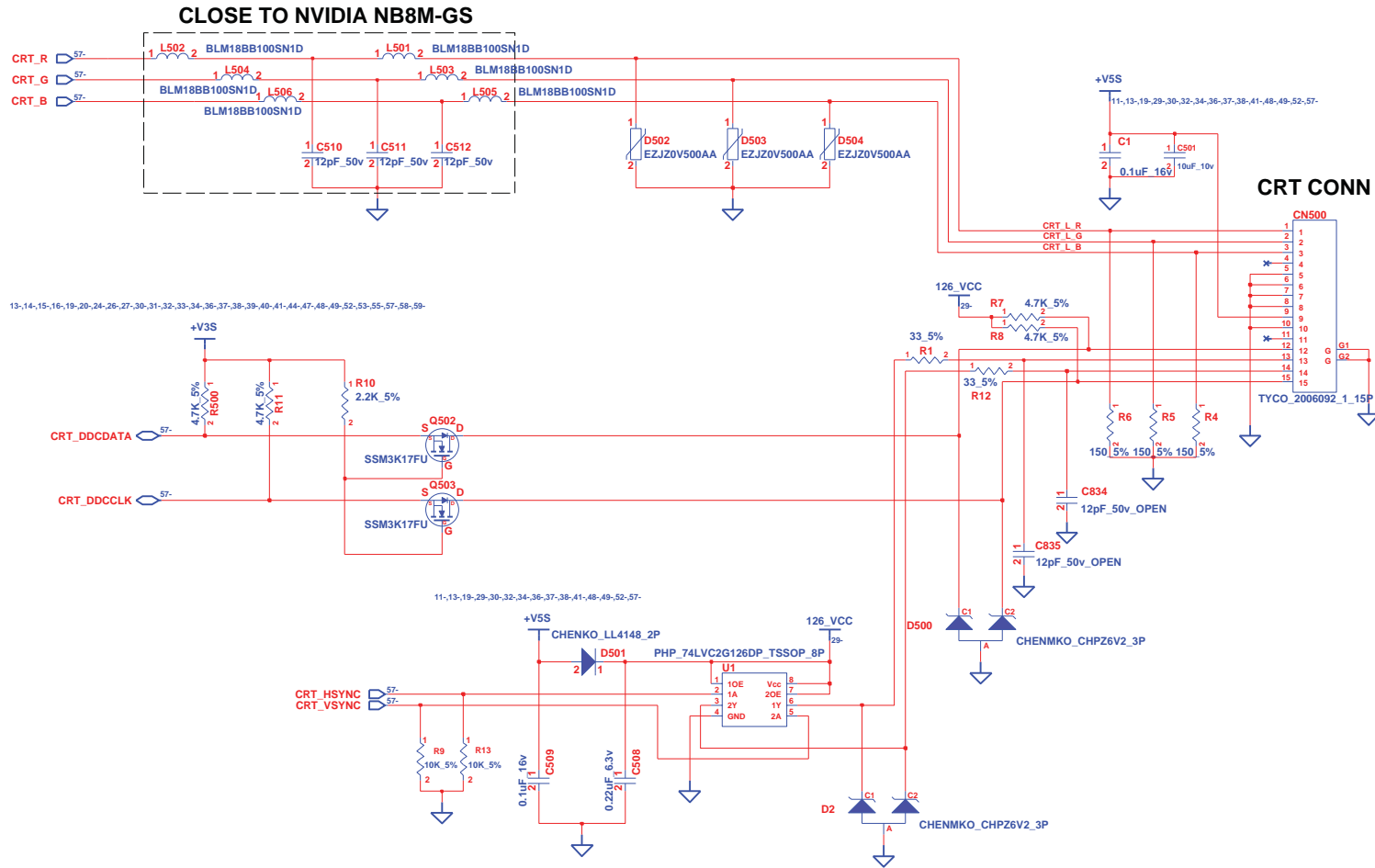


INVENTEC

TITLE			
DIABLO			
DDR2-DAMPING			
SIZE	CODE	DOC. NUMBER	REV
A3	CS	Model No	AXI
SHEET		28	OF 61

CHANGE by *Drawer Name* 27-Sep-2003

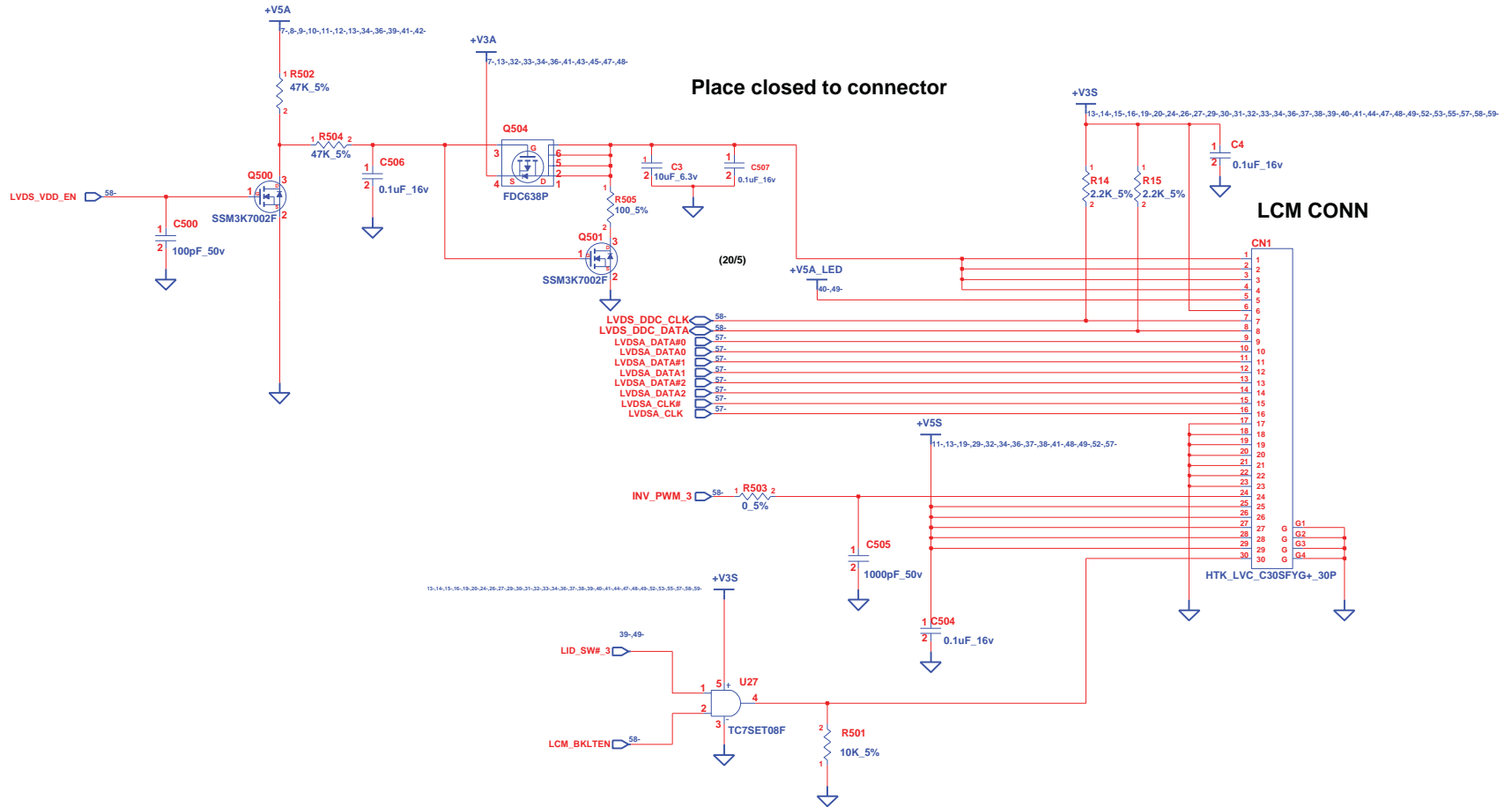
<http://hobi-elektronika.net>



INVENTEC

TITLE			
DIABLO			
VGA CONN			
SIZE	CODE	DOC. NUMBER	REV
A3	CS	Model No	AXI
CHANGE by		Drawer Name	9-Oct-2007
SHEET		29	OF 61

<http://hobi-elektronika.net>

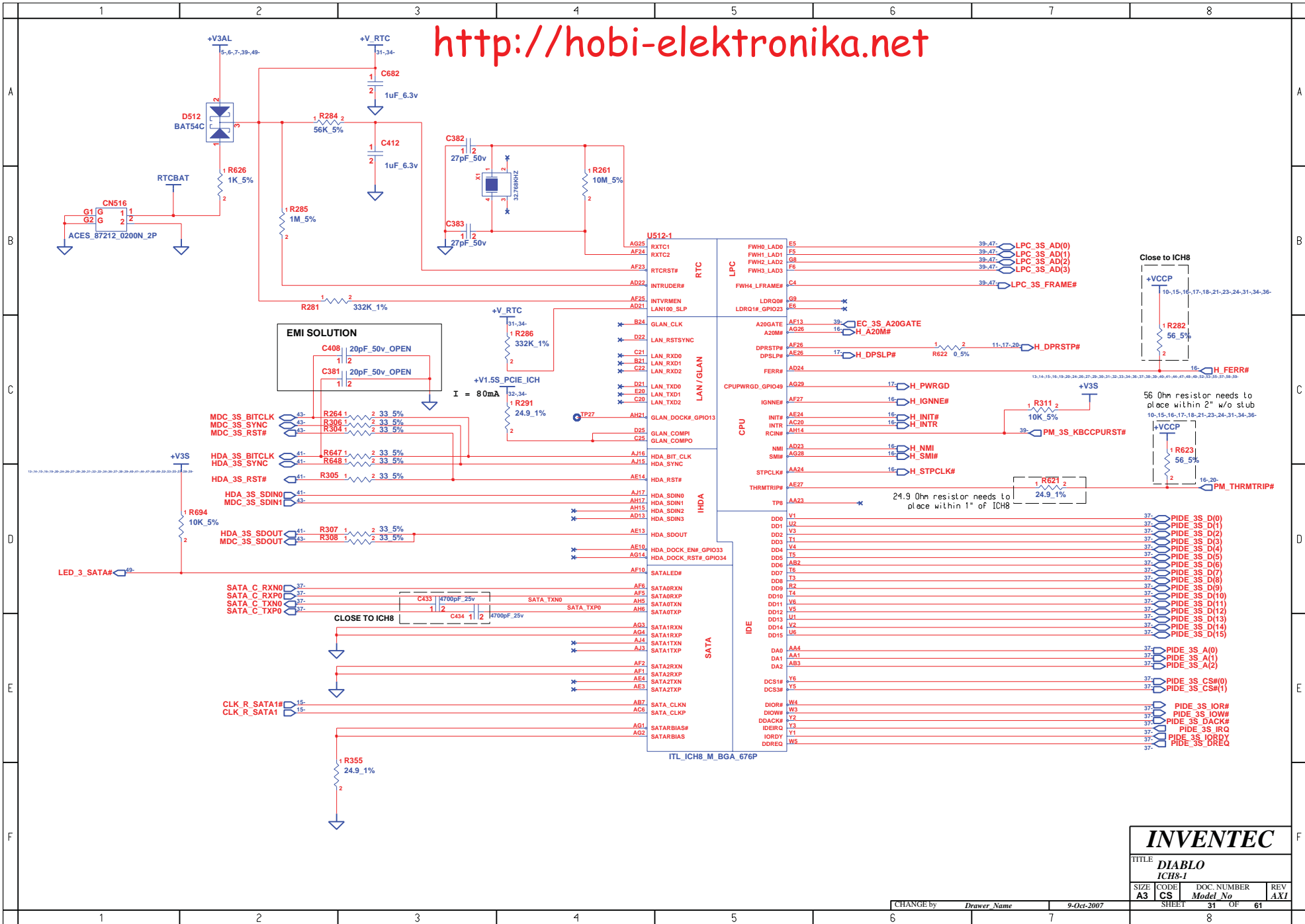


INVENTEC

TITLE			
DIABLO			
LCM CONN			
SIZE	CODE	DOC. NUMBER	REV
A3	CS	Model No	AX1
SHEET			OF
30			61

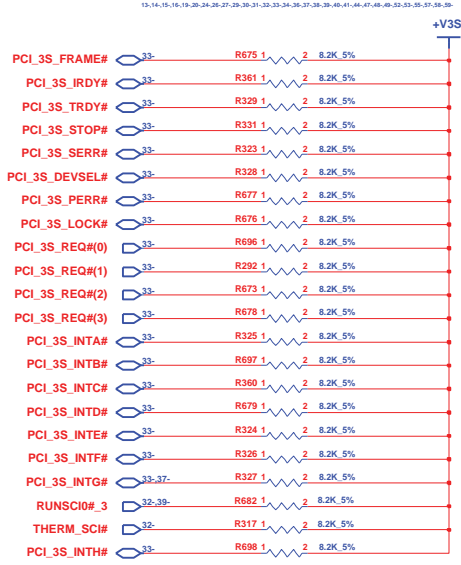
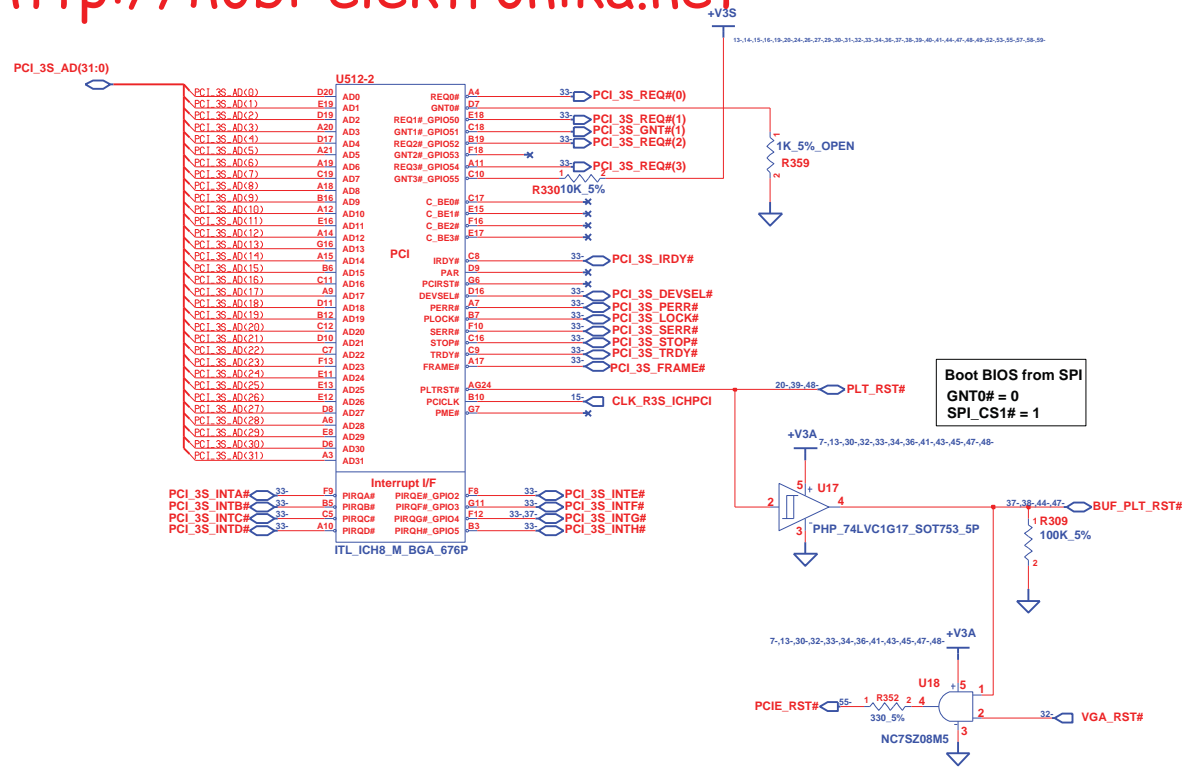
CHANGE by *Drawer Name* 9-Oct-2007

<http://hobi-elektronika.net>



INVENTEC			
TITLE DIABLO ICH8-1			
SIZE A3	CODE CS	DOC. NUMBER <i>Model No</i>	REV AX1
CHANGE by <i>Drawer Name</i>		9-Oct-2007	SHEET 31 OF 61

<http://hobi-elektronika.net>



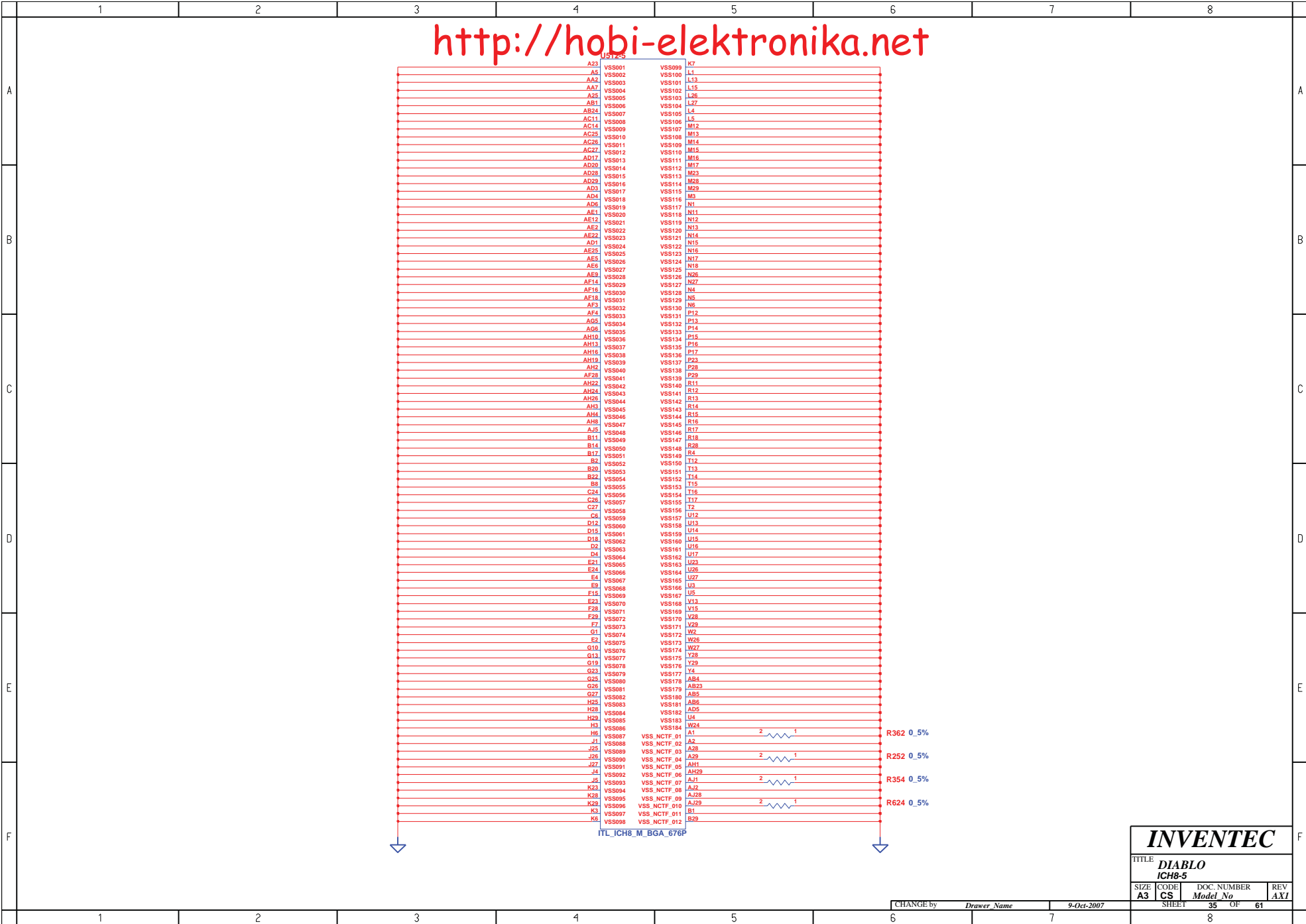
Boot BIOS from SPI
GNT0# = 0
SPI_CS1# = 1

INVENTEC

TITLE			
DIABLO ICH8-3			
SIZE	CODE	DOC. NUMBER	REV
A3	CS	Model No	AXI
SHEET		33	OF 61

CHANGE by *Drawer Name* 9-Oct-2007

<http://hobi-elektronika.net>



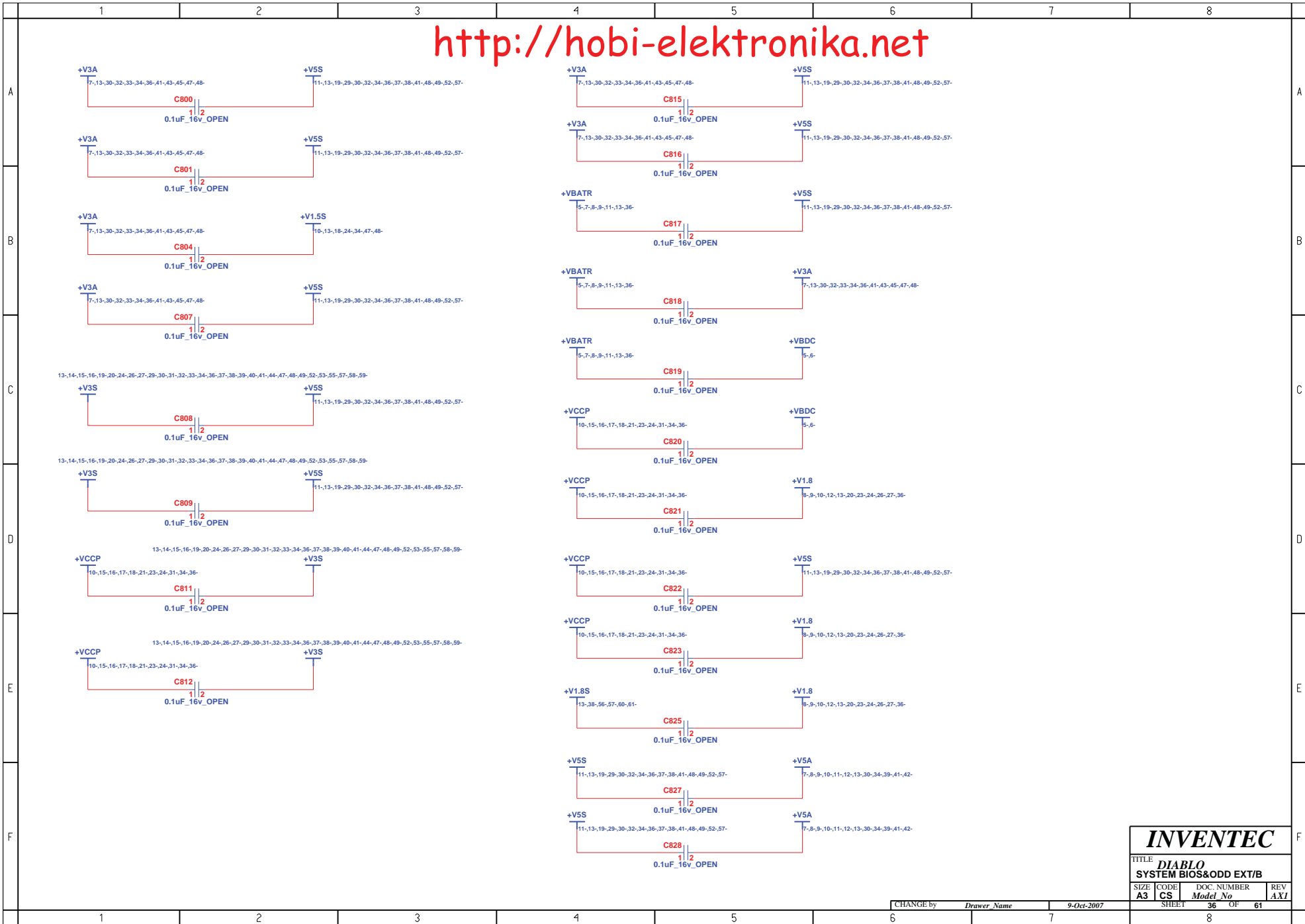
INVENTEC

TITLE **DIABLO ICH8-5**

SIZE A3	CODE CS	DOC. NUMBER Model No	REV AX1
SHEET 35		OF 61	

CHANGE by *Drawer Name* 9-Oct-2007

<http://hobi-elektronika.net>

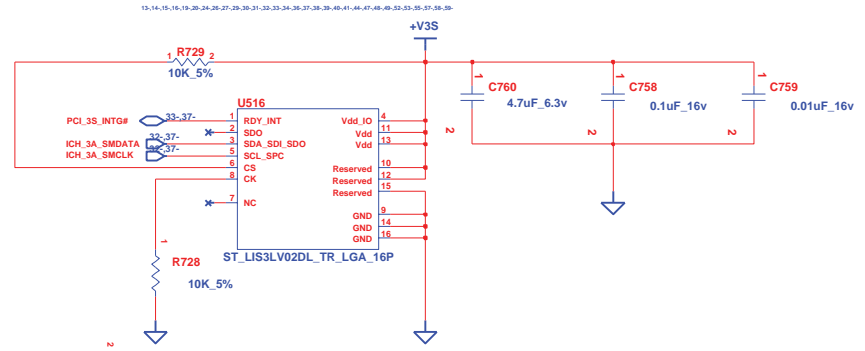
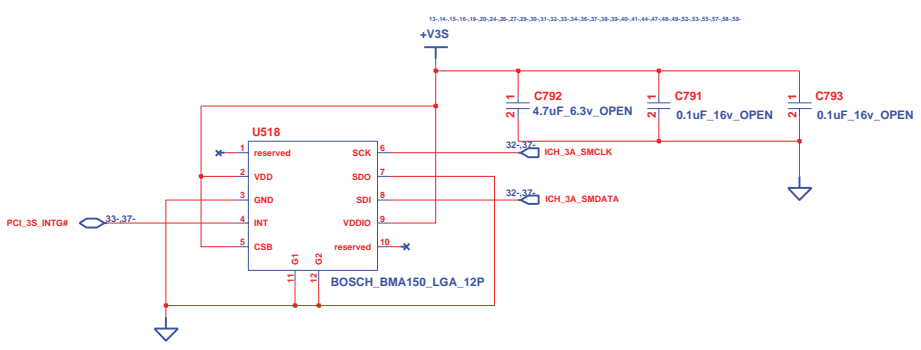
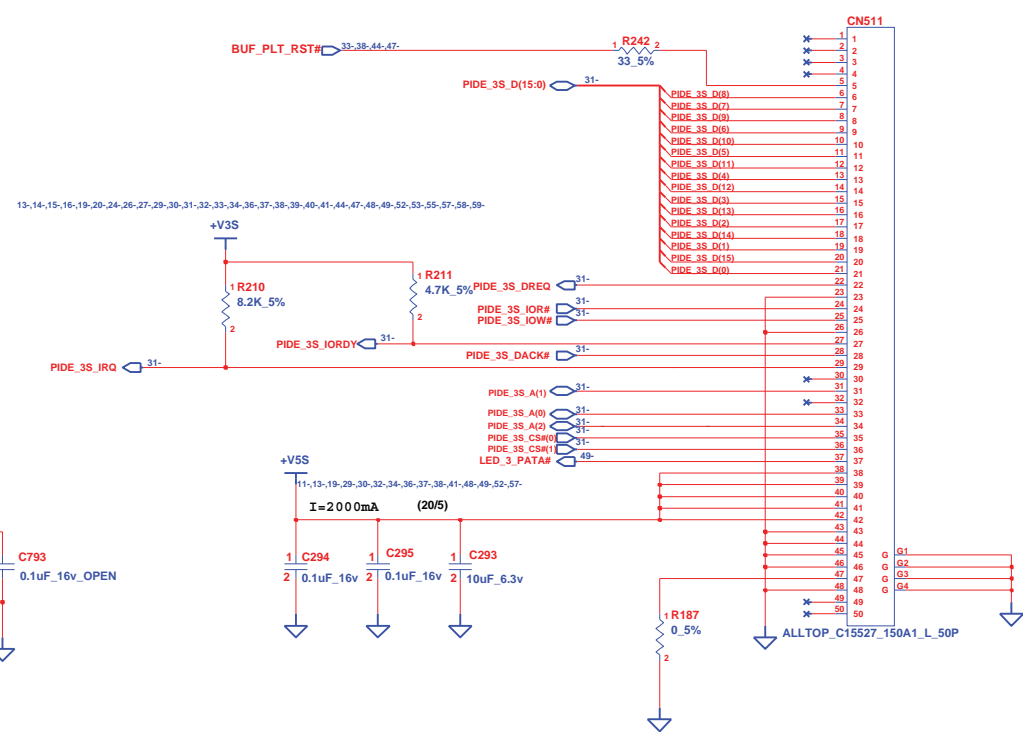
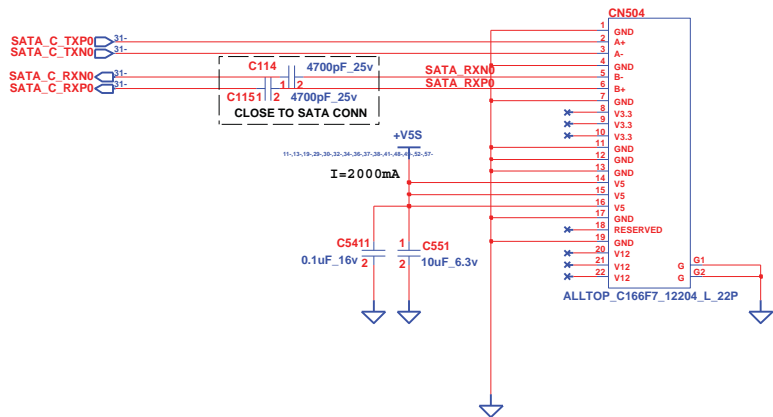


INVENTEC			
TITLE DIABLO			
SYSTEM BIOS&ODD EXT/B			
SIZE A3	CODE CS	DOC. NUMBER <i>Model No</i>	REV AXI
CHANGE by <i>Drawer Name</i>		9-Oct-2007	
SHEET 36		OF 61	

<http://hobi-elektronika.net>

SATA HDD CONN

ODD CONN

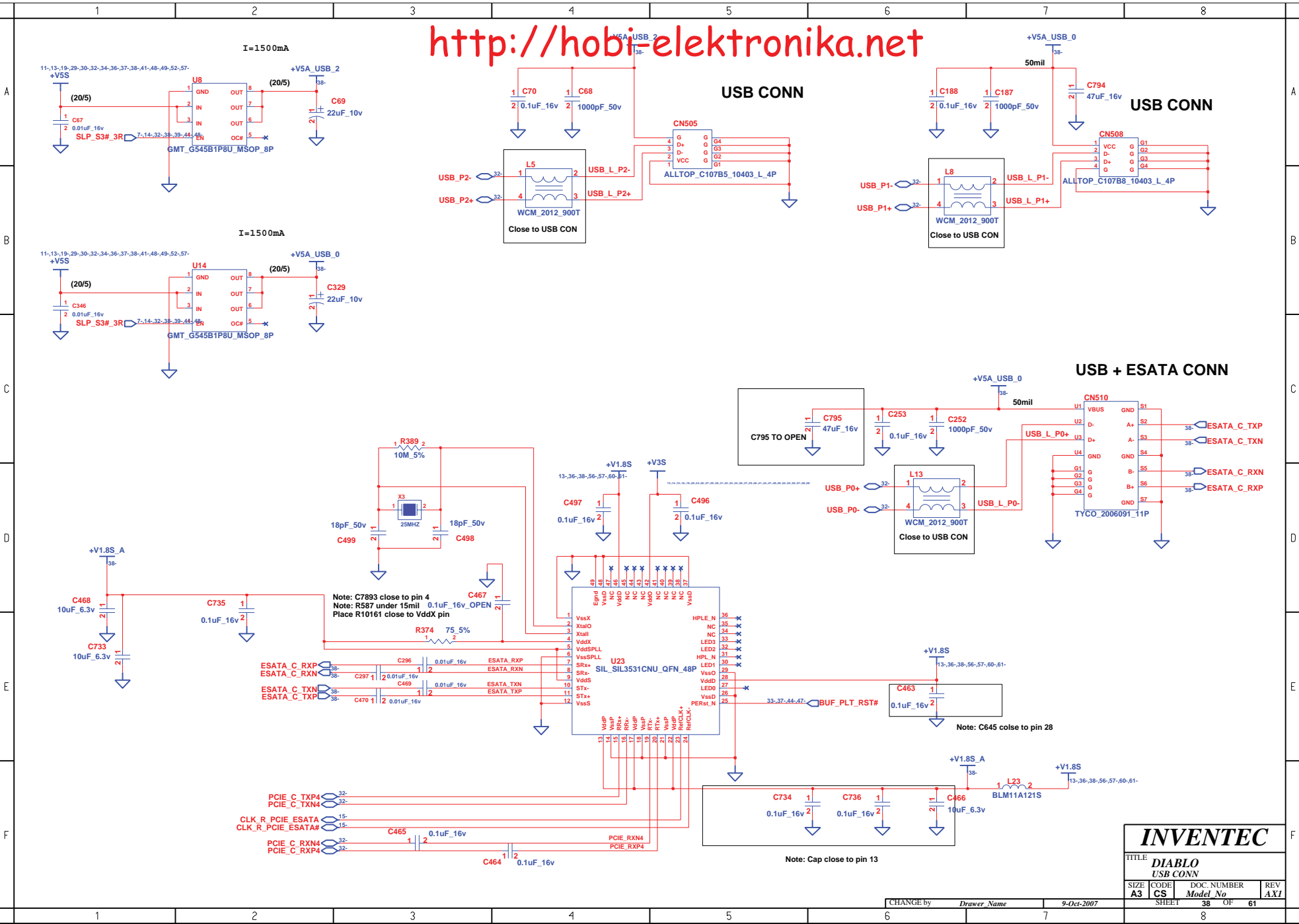


HARDDRIVE PROTECTION

INVENTEC

TITLE			
DIABLO HDD & ODD CONN			
SIZE	CODE	DOC. NUMBER	REV
A3	CS	Model No	AX1
CHANGE by		SHEET	OF
Drawer Name		37	61

9-Oct-2007

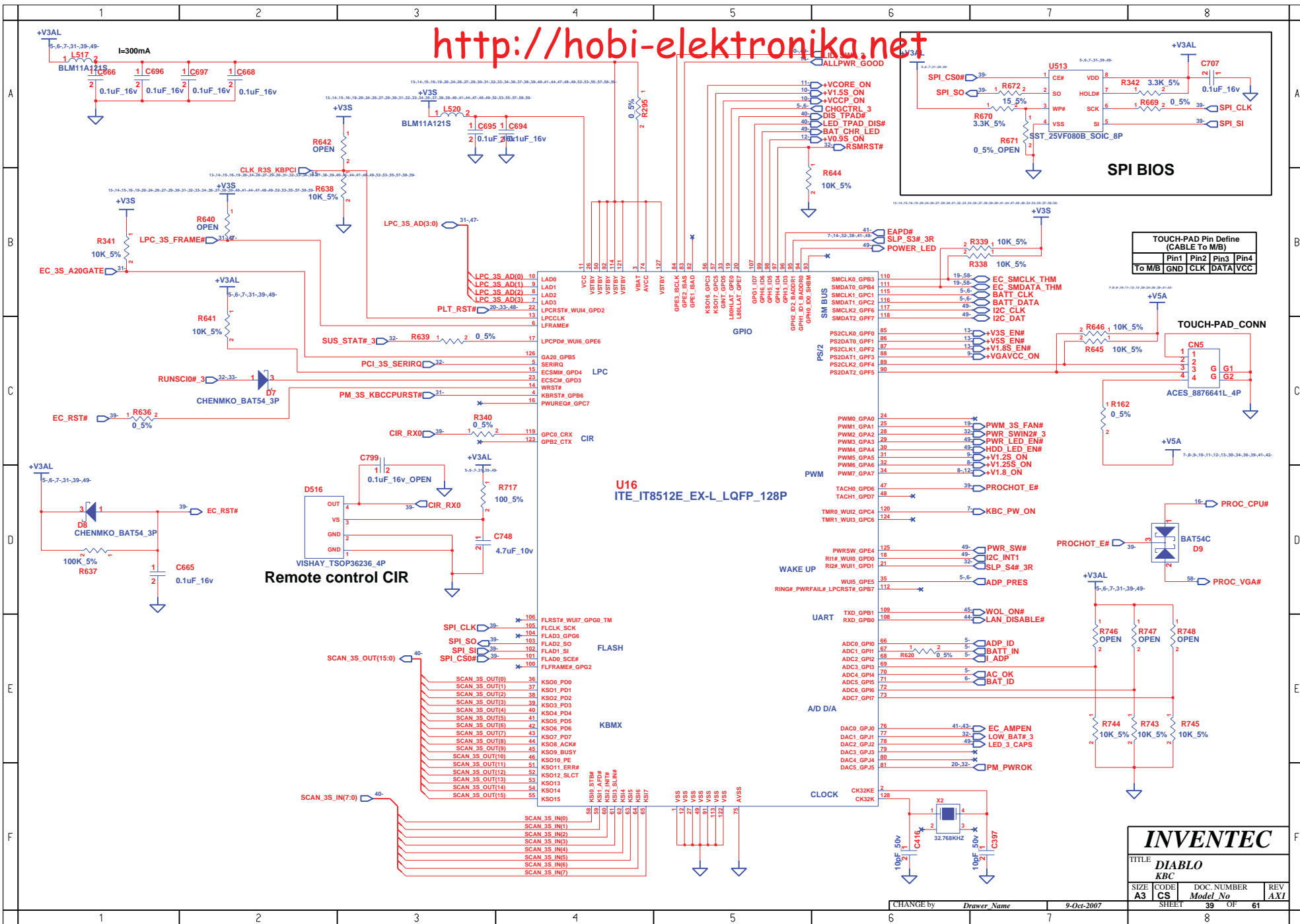


USB + ESATA CONN

INVENTEC

TITLE			
DIABLO			
USB CONN			
SIZE	CODE	DOC. NUMBER	REV
A3	CS	Model No	AX1
CHANGE by		Drawer Name	9-Oct-2007
SHEET		38	OF 61

<http://hobi-elektronika.net>



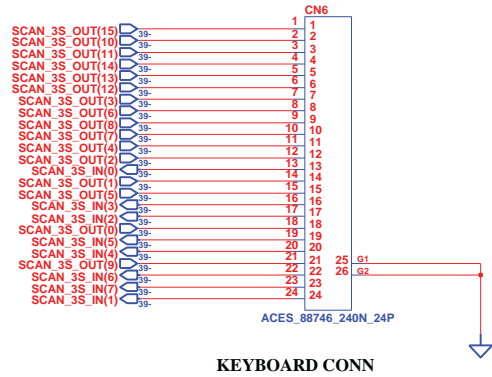
TOUCH-PAD Pin Define (CABLE To M/B)				
	Pin1	Pin2	Pin3	Pin4
To M/B	GND	CLK	DATA	VCC

U16
ITE_IT8512E_EX-L_LQFP_128P

Remote control CIR

INVENTEC			
TITLE DIABLO KBC			
SIZE A3	CODE CS	DOC. NUMBER <i>Model No</i>	REV AX1
CHANGE by <i>Drawer Name</i>		9-Oct-2007	SHEET 39 OF 61

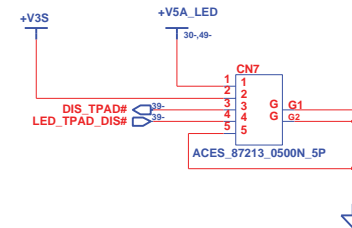
<http://hobi-elektronika.net>



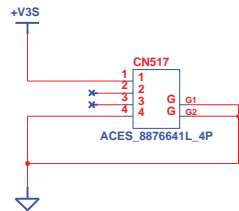
KEYBOARD CONN

13-14-15-16-19-20-24-26-27-29-30-31-32-33-34-36-37-38-39-40-41-44-47-48-49-52-53-55-57-58-59-

TOUCHPAD LED CONN



13-14-15-16-19-20-24-26-27-29-30-31-32-33-34-36-37-38-39-40-41-44-47-48-49-52-53-55-57-58-59-

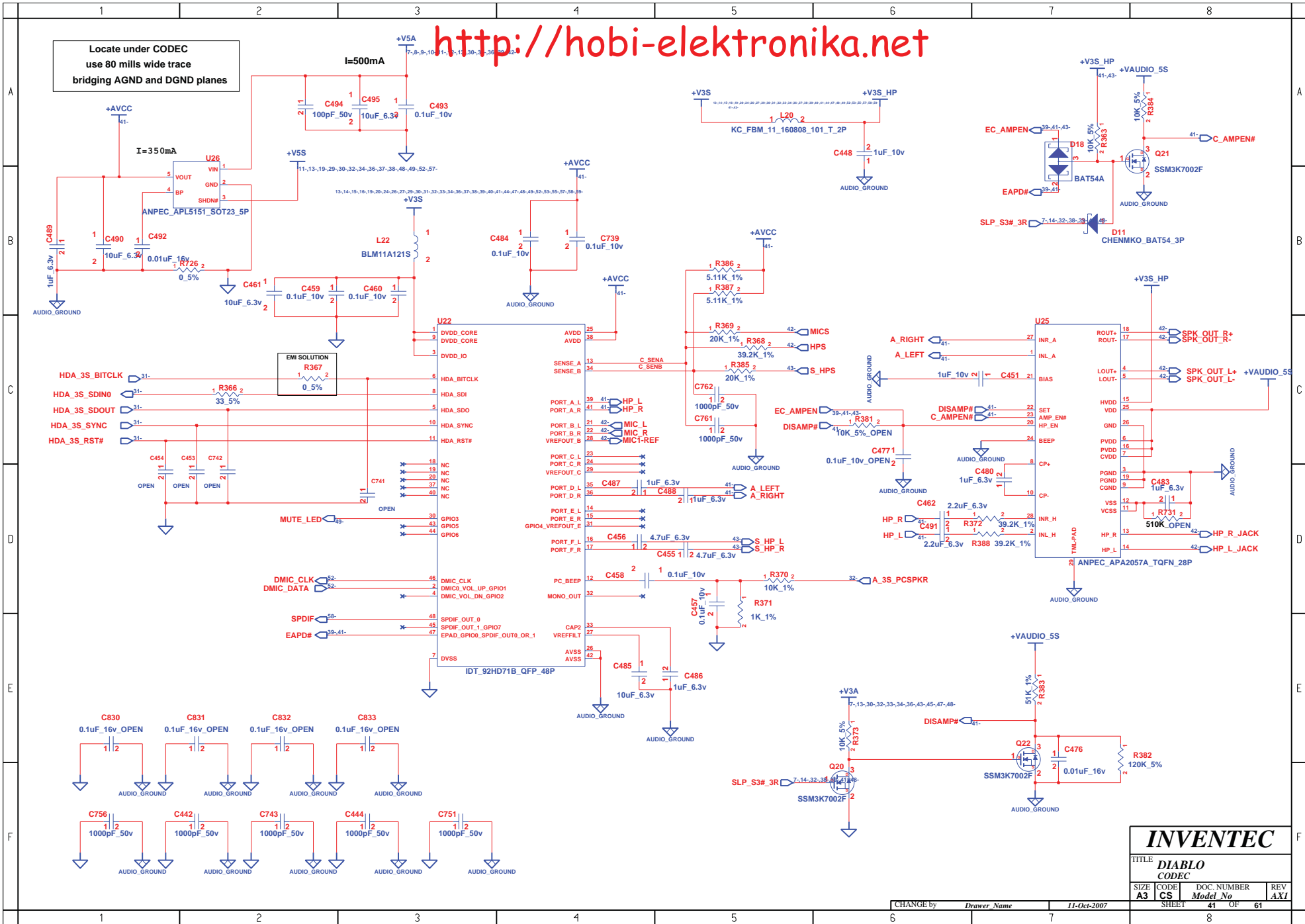


INVENTEC

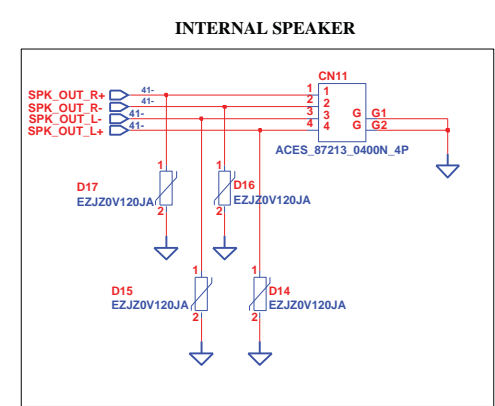
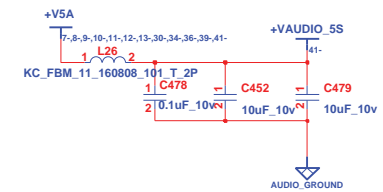
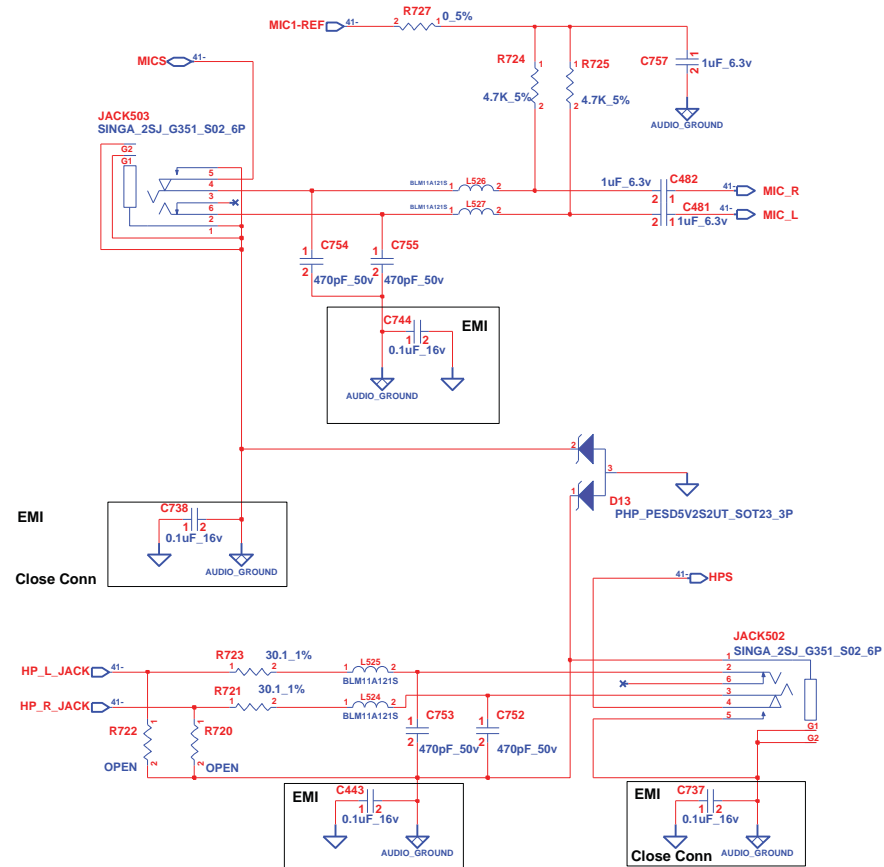
TITLE			
DIABLO			
KB & TP CONN			
SIZE	CODE	DOC. NUMBER	REV
A3	CS	Model No	AXI
CHANGE by		Drawer Name	9-Oct-2007
SHEET		40	OF 61

<http://hobi-elektronika.net>

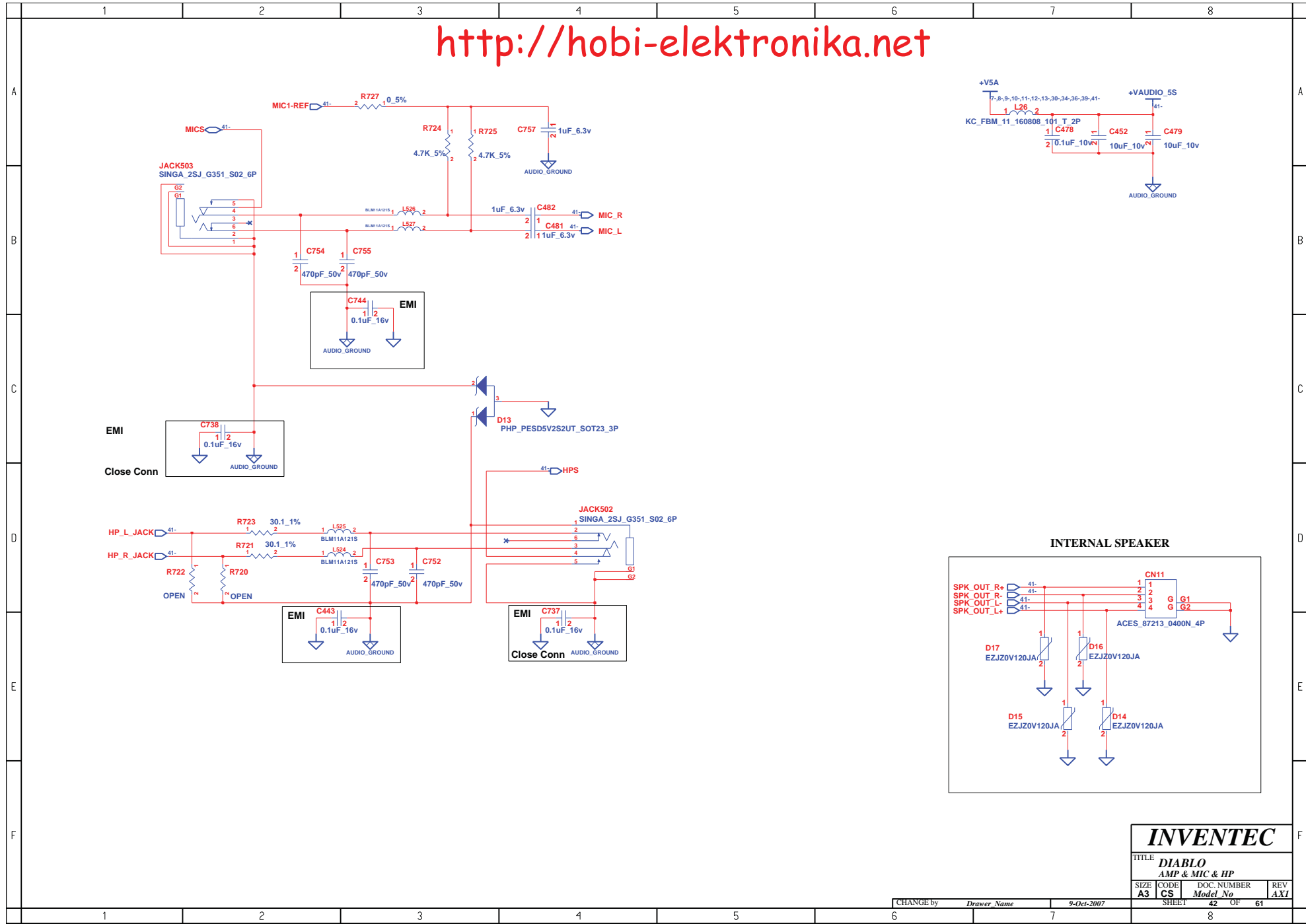
Locate under CODEC
use 80 mills wide trace
bridging AGND and DGND planes



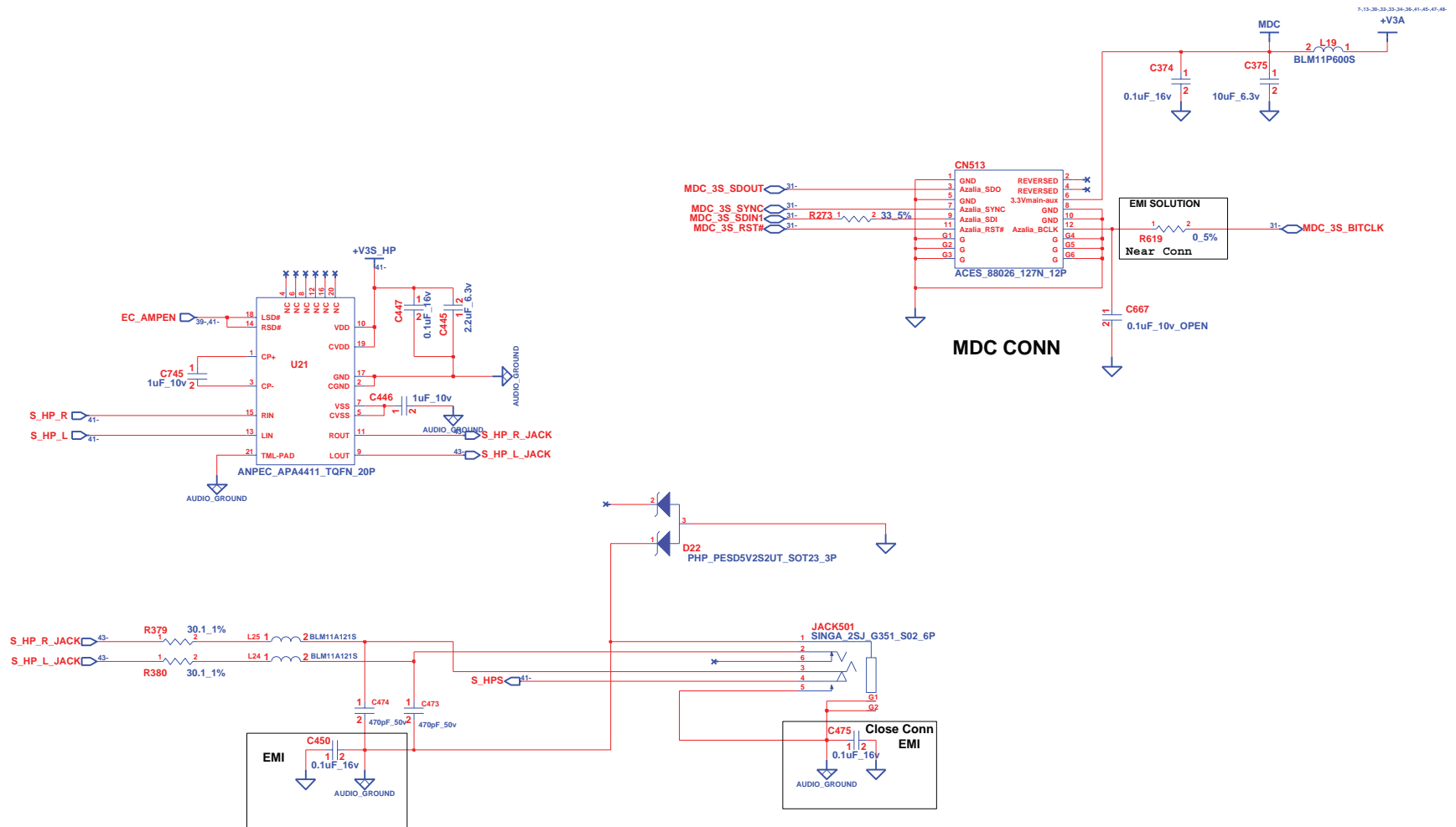
<http://hobi-elektronika.net>



INVENTEC			
TITLE DIABLO AMP & MIC & HP			
SIZE A3	CODE CS	DOC. NUMBER <i>Model No</i>	REV AX1
CHANGE by <i>Drawer Name</i>		9-Oct-2007	SHEET 42 OF 61



<http://hobi-elektronika.net>

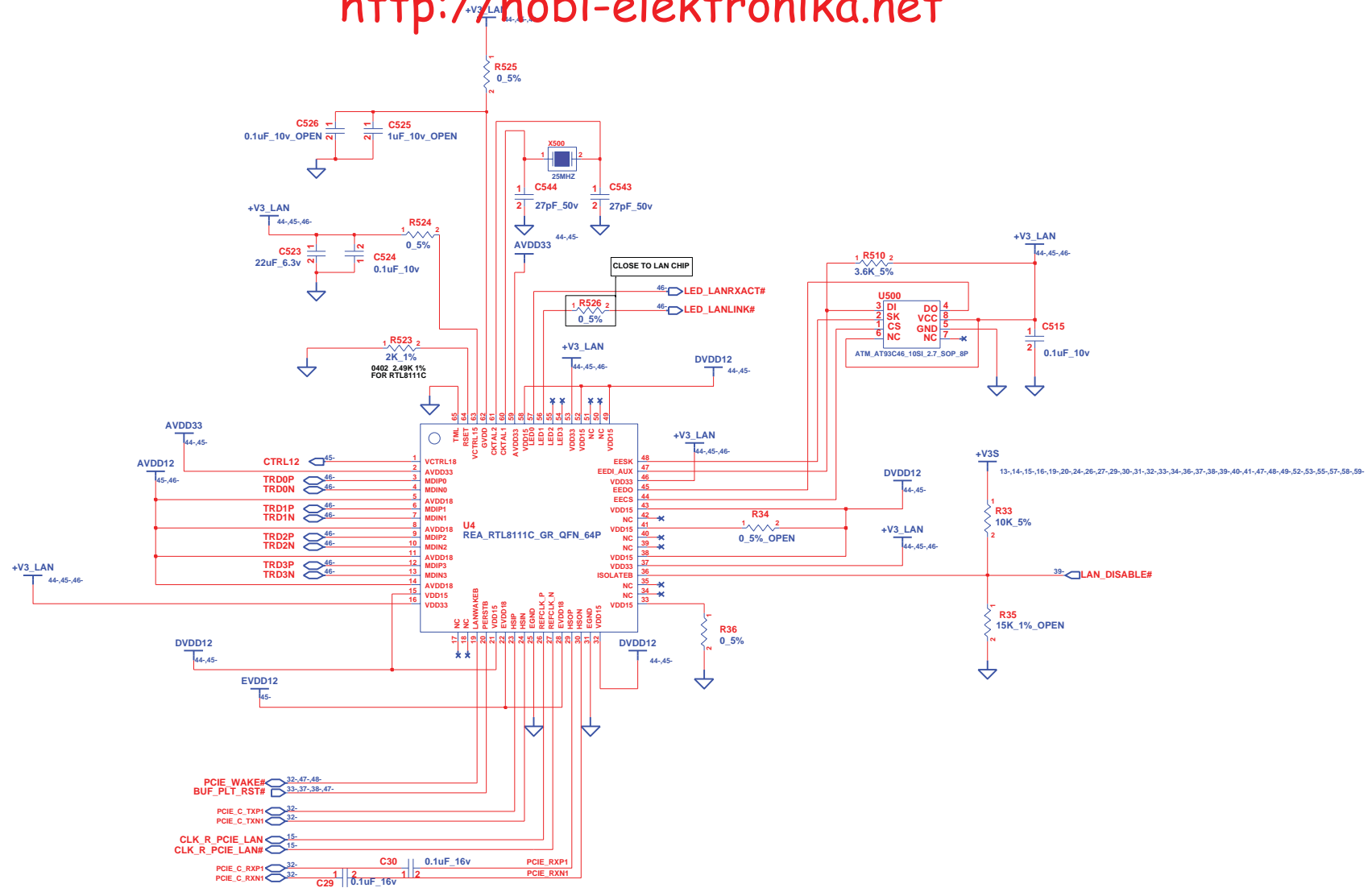


INVENTEC

TITLE
DIABLO

SIZE A3	CODE CS	DOC. NUMBER <i>Model No</i>	REV AX1
CHANGE by <i>Drawer Name</i>		11-Oct-2007	
SHEET 43		OF 61	

<http://hobi-elektronika.net>



1000M: RTL8111C

THERMAL PAD: 9 VIAS TO GND
TWO EGGND PINS: PUT A LARGE PLANE TO THERMAL PAD

CHANGE by *Drawer Name* 9-Oct-2007

INVENTEC

TITLE
**DIABLO
LAN INTERFACE**

SIZE A3	CODE CS	DOC NUMBER <i>Model No</i>	REV AX1
-------------------	-------------------	-------------------------------	-------------------

SHEET 44 OF 61

1

2

3

4

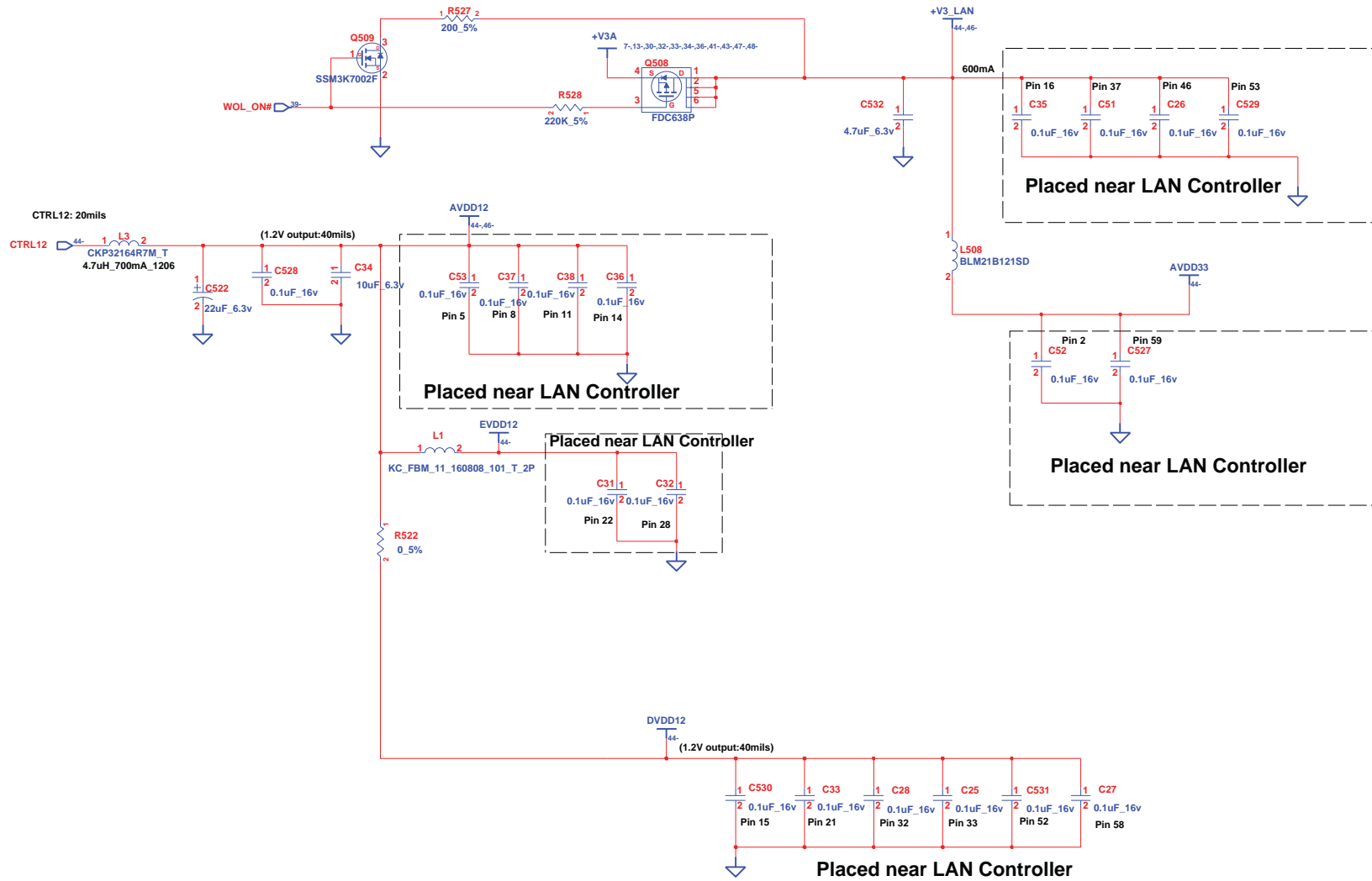
5

6

7

8

<http://hobi-elektronika.net>

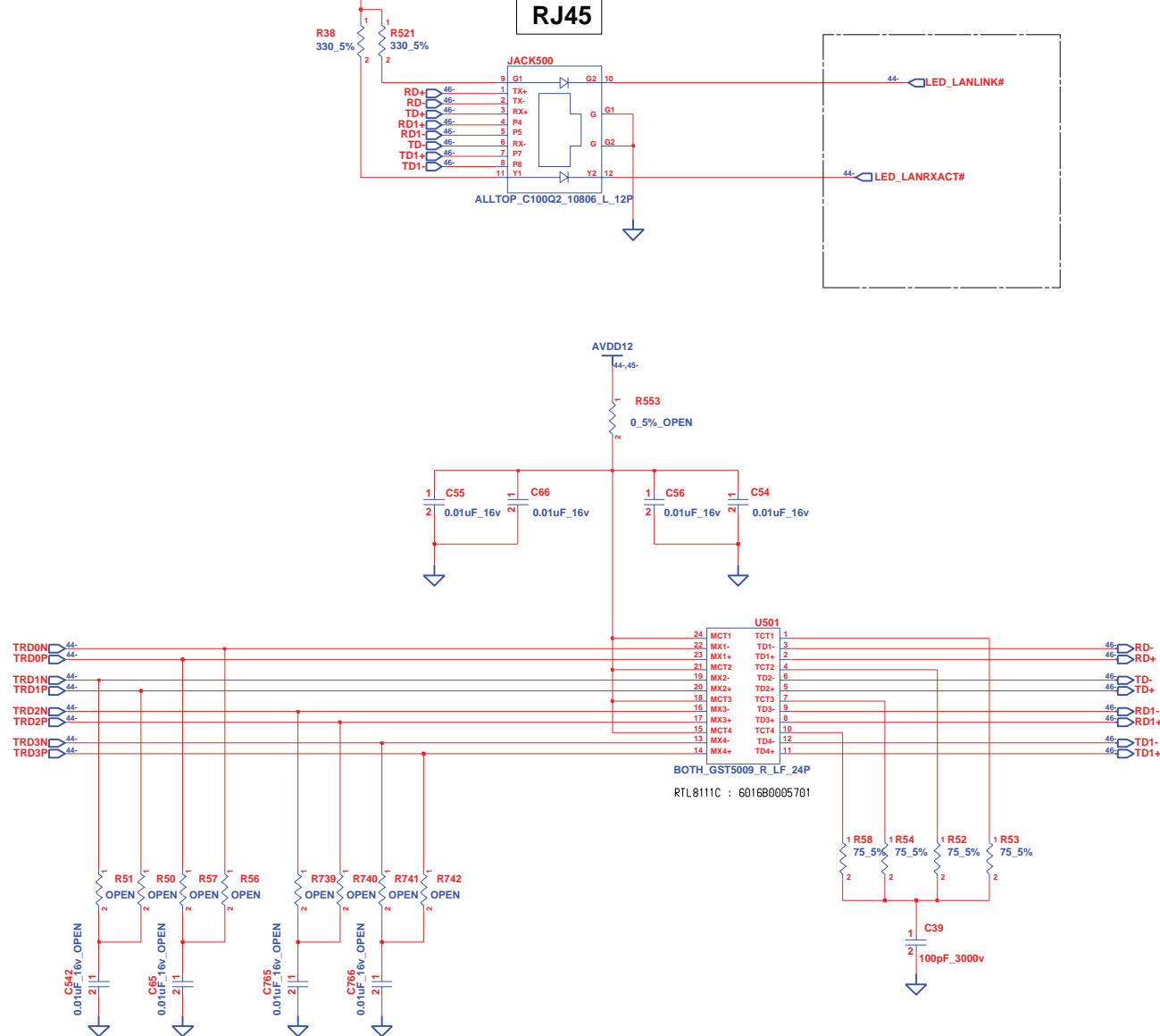


INVENTEC

TITLE			
DIABLO			
LAN POWER			
SIZE	CODE	DOC. NUMBER	REV
A3	CS	Model No	AXI
SHEET		45	OF 61

CHANGE by *Drawer Name* 9-Oct-2007

<http://hobi-elektronika.net>



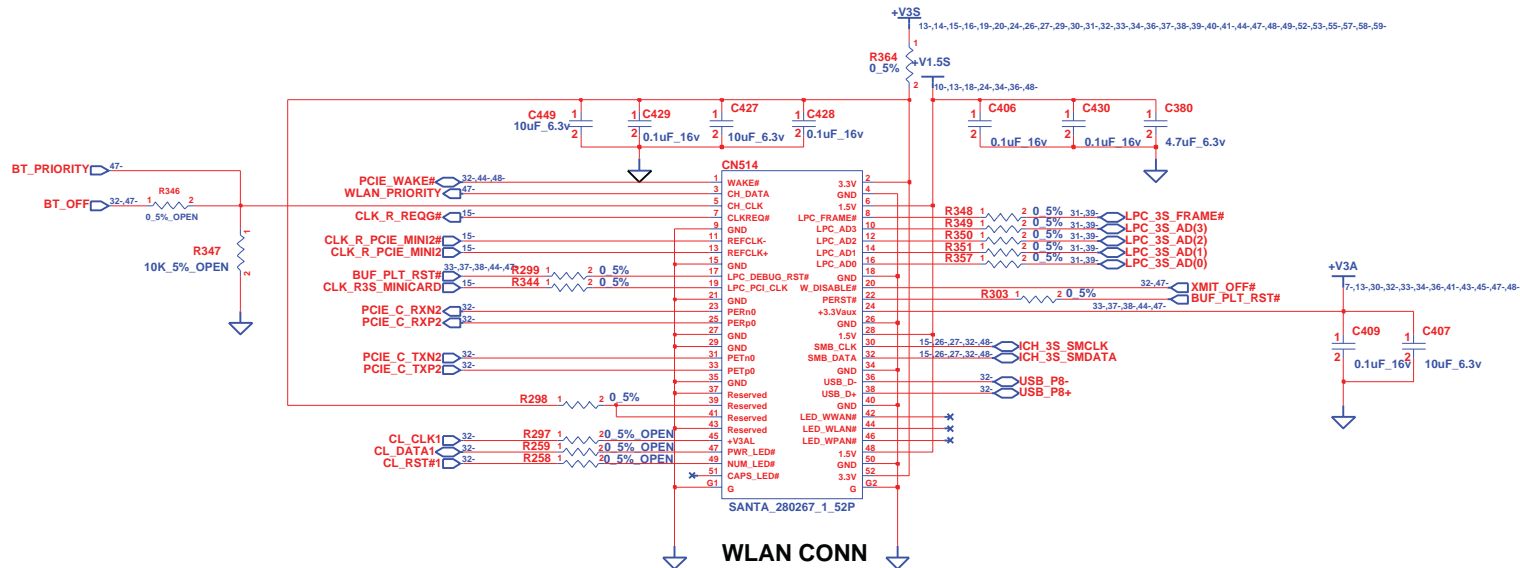
LAYOUT NOTE : Place termination resistors and caps as close to LAN controller as possible

INVENTEC

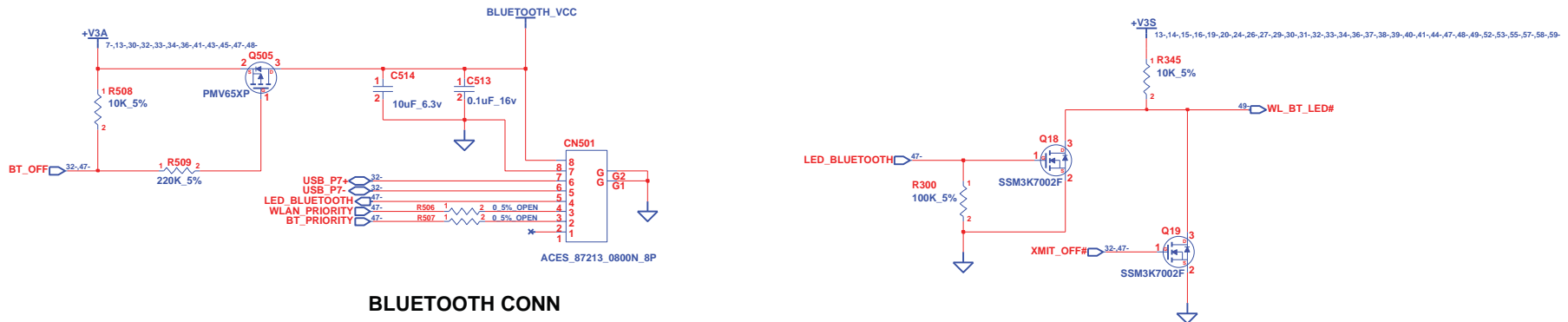
TITLE			
DIABLO LAN RJ45 CONN			
SIZE	CODE	DOC. NUMBER	REV
A3	CS	Model No	AXI
SHEET		46 OF	61

CHANGE by *Drawer Name* 9-Oct-2007

<http://hobi-elektronika.net>



R261,R262,R263,R264,R265 place as close to LPC signal as possible to minimize stub length for LPC bus (will be NI for FCS)

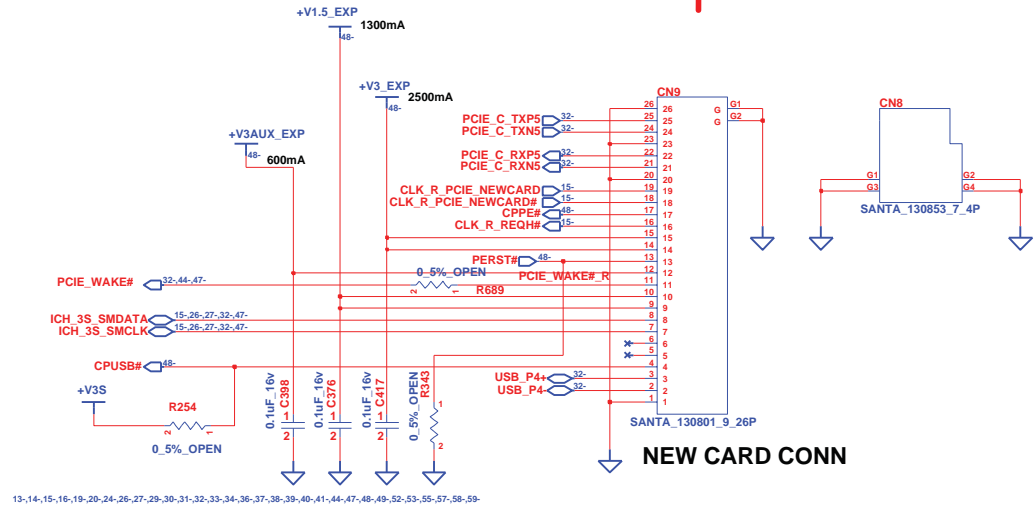


BLUETOOTH CONN

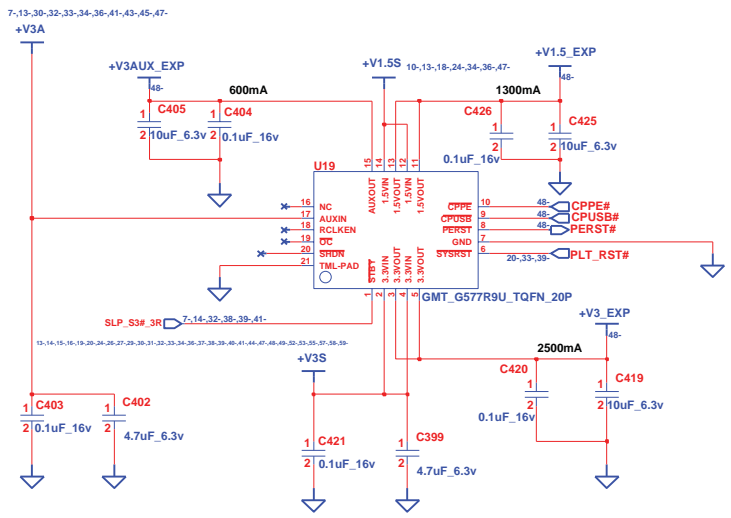
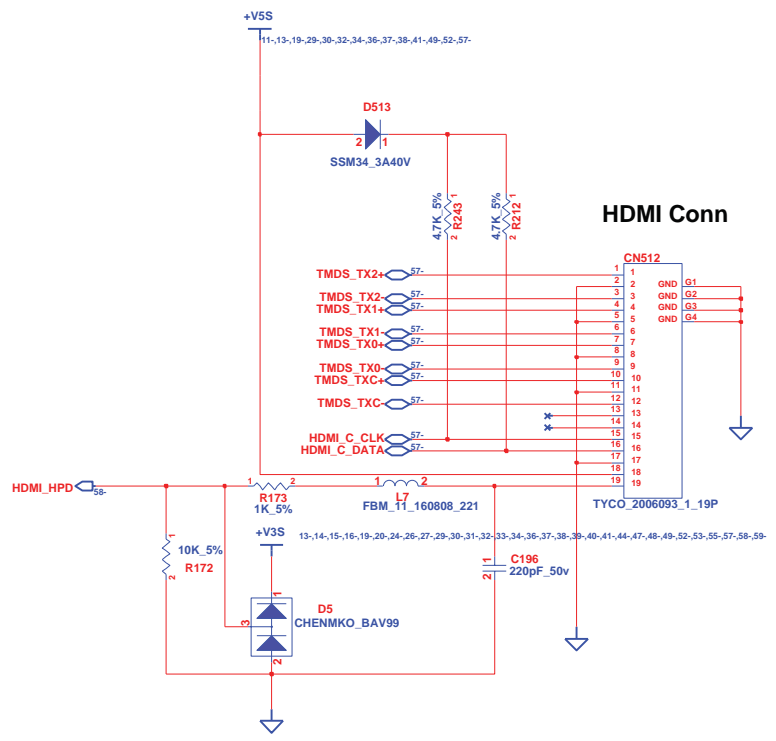
INVENTEC

TITLE			
DIABLO MINICARD CONN			
SIZE	CODE	DOC NUMBER	REV
A3	CS	Model No	AX1
CHANGE by		Drawer Name	9-Oct-2007
SHEET		47	OF 61

<http://hobi-elektronika.net>



13-14-15-16-19-20-24-26-27-29-30-31-32-33-34-36-37-38-39-40-41-44-47-48-49-52-53-55-57-58-59-

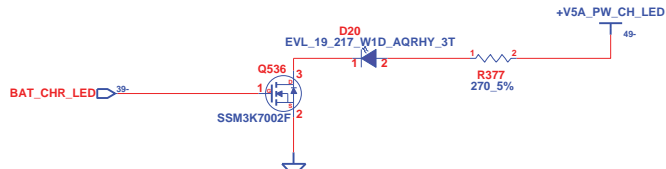


13-14-15-16-19-20-24-26-27-29-30-31-32-33-34-36-37-38-39-40-41-44-47-48-49-52-53-55-57-58-59-

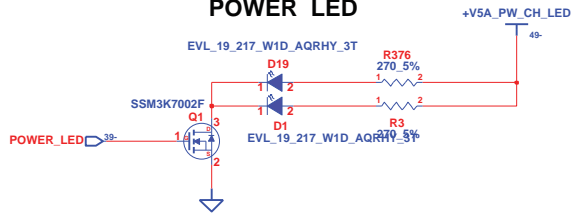
DRAWER	EE	DATE	POWER	DATE	INVENTEC TITLE DIABLO
DESIGN					
CHECK					
RESPONSIBLE					
SIZE	3		VER		SIZE
FILE NAME	XXXX-XXXXXX-XX				CODE
P/N	XXXXXXXXXXXX				DOC. NUMBER
					Model No
					SHEET
					48 OF 61

LED P/N: 6011B0072901

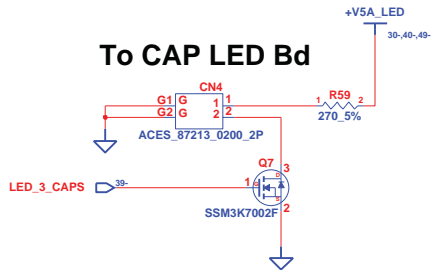
BATTERY-CHARGE LED



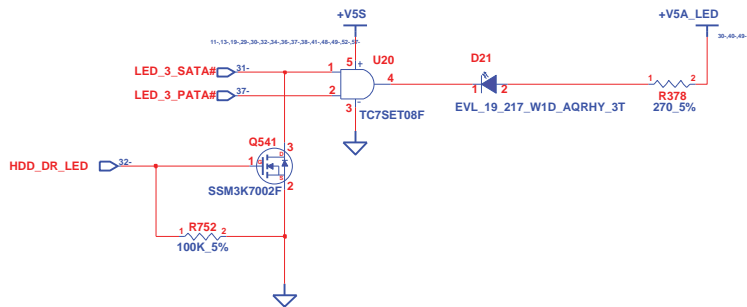
POWER LED



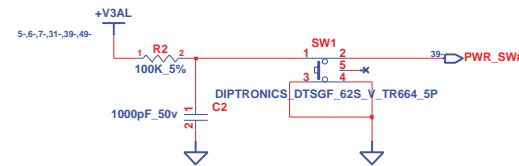
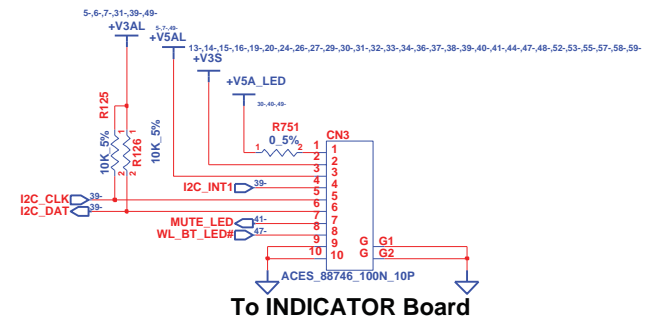
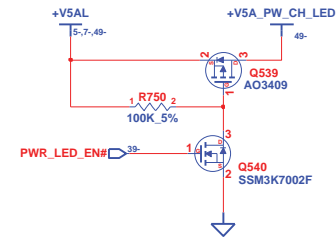
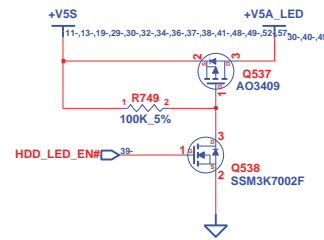
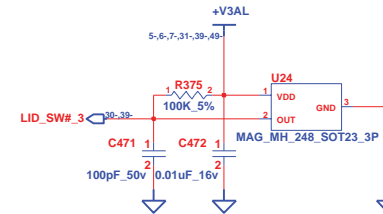
To CAP LED Bd



HDD & ODD LED



LID SWITCH

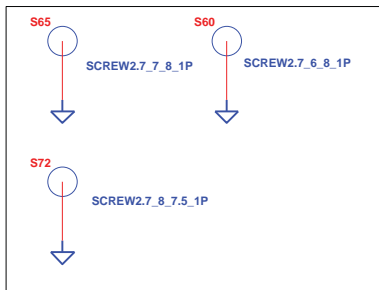
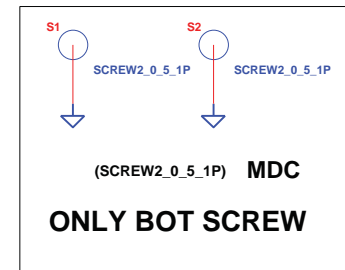
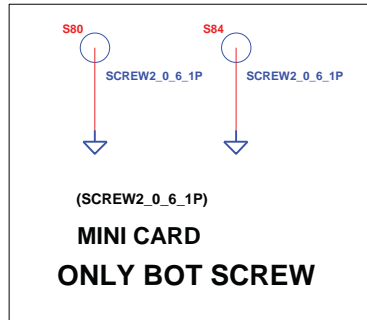
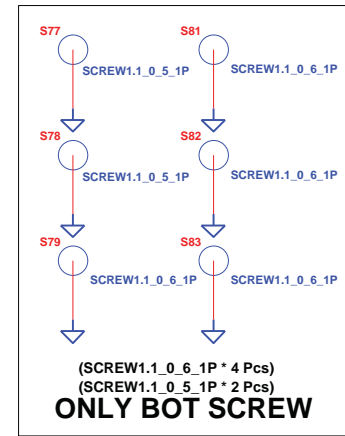
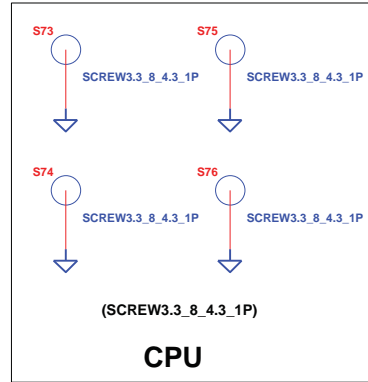
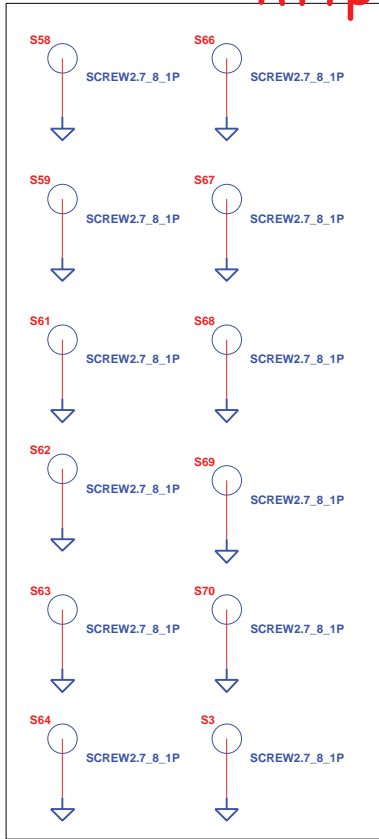
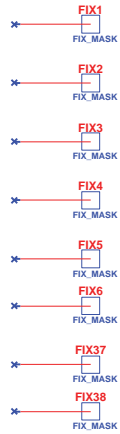


POWER BUTTON

INVENTEC

TITLE			
DIABLO BUTTON & LED			
SIZE	CODE	DOC NUMBER	REV
A3	CS	Model No	AXI
SHEET		49	OF 61

<http://hobi-elektronika.net>



INVENTEC

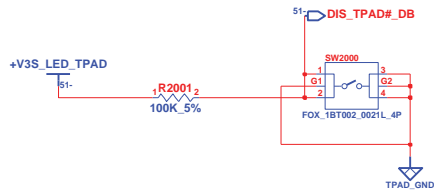
TITLE			
DIABLO			
SCREW			
SIZE	CODE	DOC. NUMBER	REV
A3	CS	Model No	AX1
CHANGE by		9-Oct-2007	
DRAWER Name		SHEET 50 OF 61	

CHANGE by *Drawer Name* 9-Oct-2007

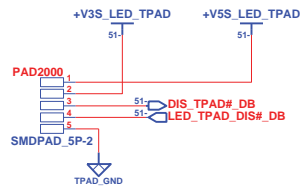
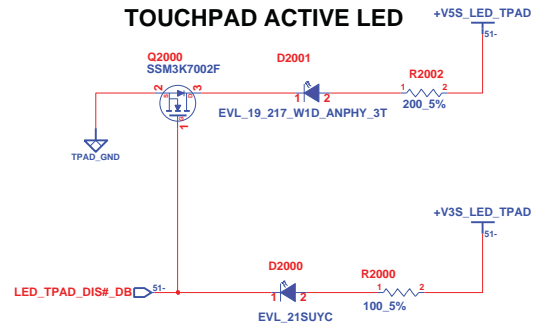
SHEET 50 OF 61

<http://hobi-elektronika.net>

TOUCHPAD-DISABLE BUTTOM_DB



TOUCHPAD ACTIVE LED



TouchPad Disable DB

INVENTEC

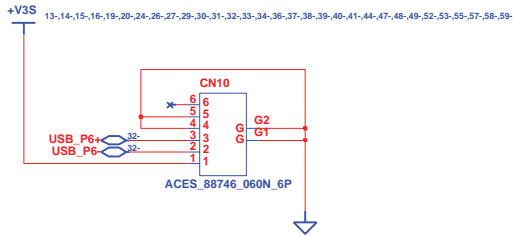
TITLE
**DIABLO
FINGER PRINTER CONN.**

SIZE A3	CODE CS	DOC. NUMBER <i>Model No</i>	REV AX1
-------------------	-------------------	--------------------------------	-------------------

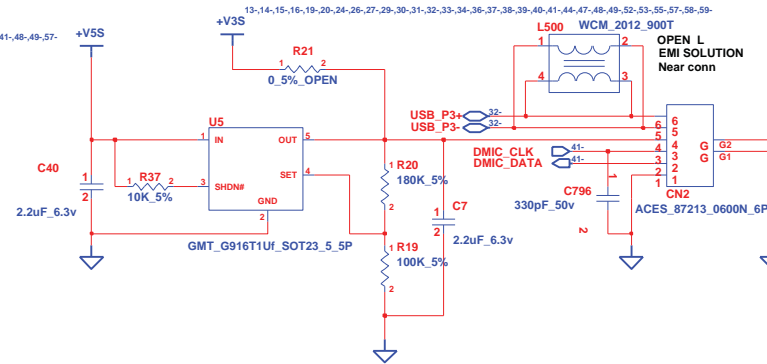
CHANGE by *Drawer Name* 9-Oct-2007

SHEET 51 OF 61

<http://hobi-elektronika.net>



To Finger Print Reader Board



Webcam CONN & DIGITAL MIC

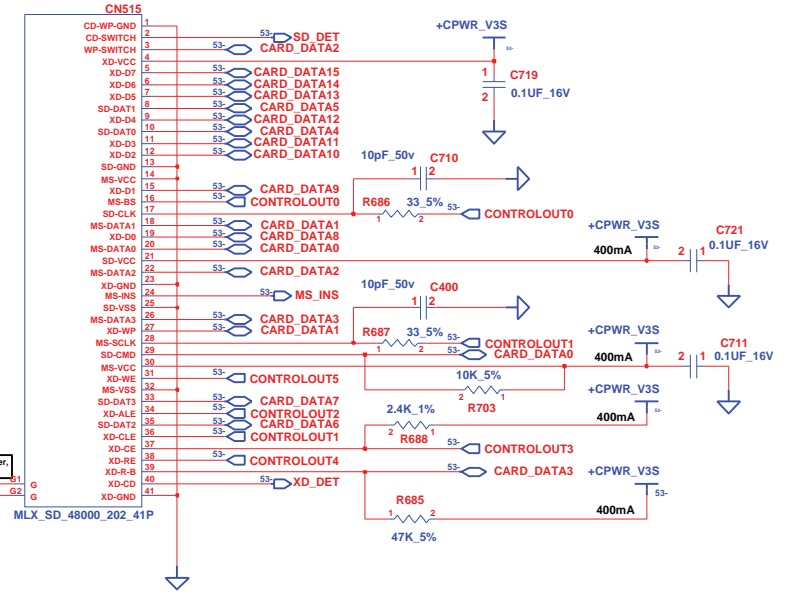
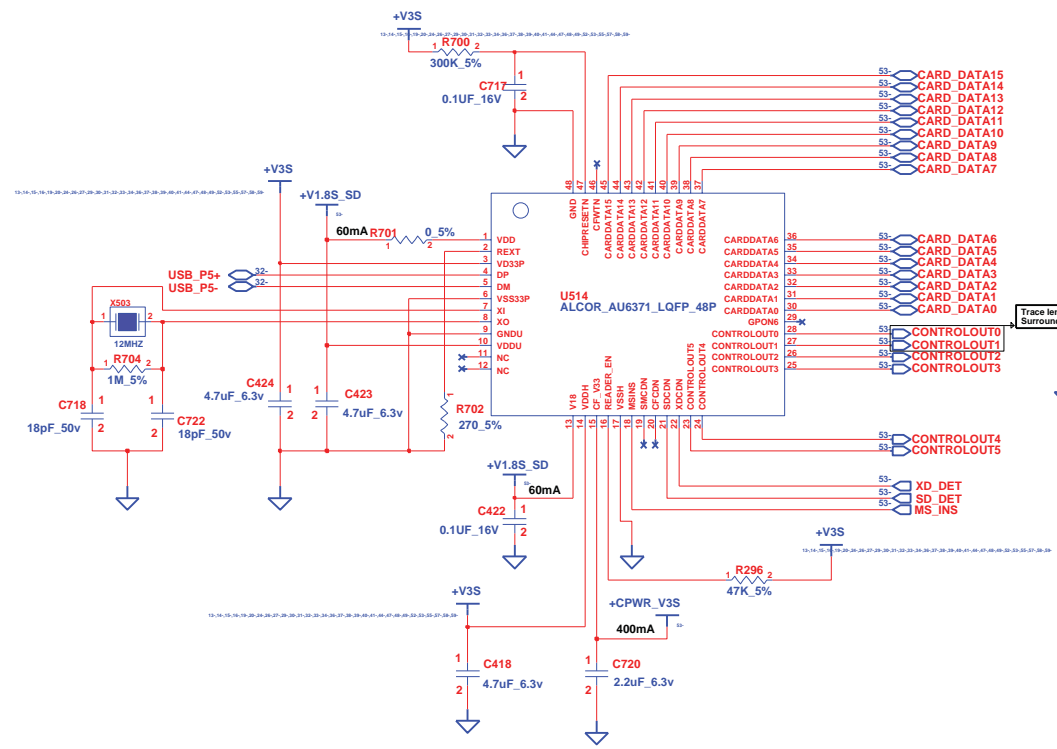
INVENTEC

TITLE
DIABLO

SIZE A3	CODE CS	DOC. NUMBER <i>Model No</i>	REV AX1
CHANGE by <i>Drawer Name</i>		9-Oct-2007	
SHEET		52	OF 61

8

Cardreader Conn



Trace length shorter, Surround to GND.

CONTROL PIN	MS	SD	XD
CONTROLOUT0	v	v	v
CONTROLOUT1	v	v	v
CONTROLOUT2			v
CONTROLOUT3			v
CONTROLOUT4			v
CONTROLOUT5			v

DATA PIN	MS	SD	XD
CARDDATA0	v	v	v
CARDDATA1	v	v	v
CARDDATA2	v	v	v
CARDDATA3	v	v	v
CARDDATA4		v	v
CARDDATA5		v	v
CARDDATA6		v	v
CARDDATA7		v	v
CARDDATA8			v
CARDDATA9			v
CARDDATA10			v
CARDDATA11			v
CARDDATA12			v
CARDDATA13			v
CARDDATA14			v
CARDDATA15			v

INVENTEC

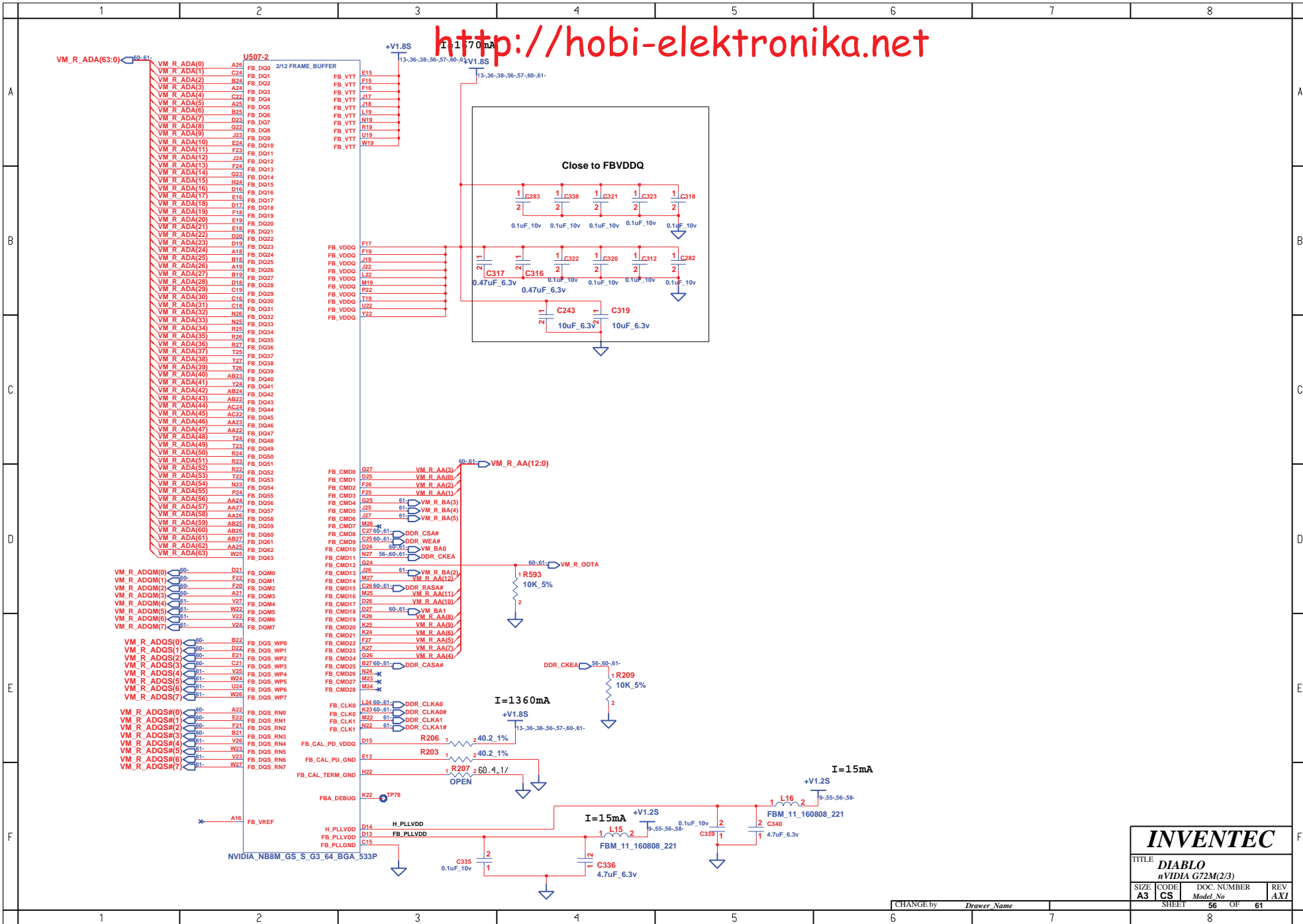
TITLE
DIABLO
 5 IN1/1394 CONN
 SIZE CODE DOC NUMBER REV
A3 CS Model No 53 OF 61 **AX1**

<http://hobi-elektronika.net>

	1	2	3	4	5	6	7	8	
A									A
B									B
C									C
D									D
E									E
F									F
	1	2	3	4	5	6	7	8	

INVENTEC			
TITLE DIABLO			
5 IN 1/1394 CONN			
SIZE	CODE	DOC. NUMBER	REV
A3	CS	Model No	AXI
CHANGE by		Drawer Name	9-Oct-2007
SHEET		54	OF 61
		8	

<http://hobi-elektronika.net>

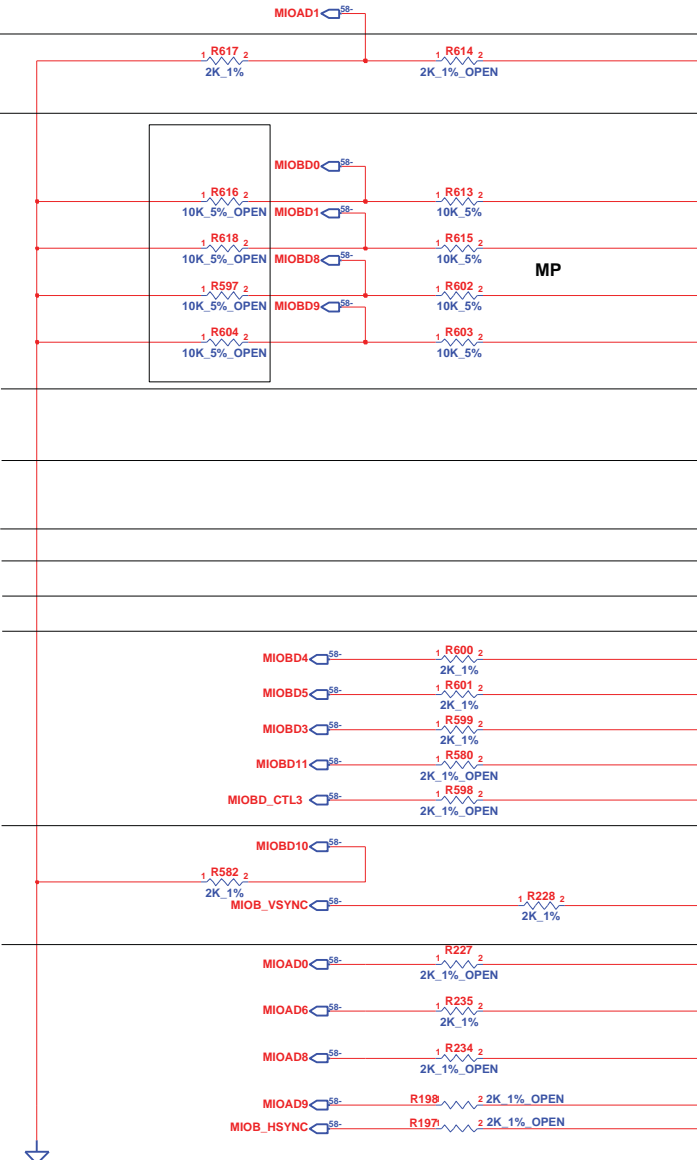


INVENTEC			
TITLE DIABLO nVIDIA G72M(2/3)			
SIZE A3	CODE CS	DOC. NUMBER Model No	REV AXI
SHEET		56	OF 61

CHANGE by *Drawer Name*

<http://hobi-elektronika.net>

STRAP BIT LOGIC 0 LOGIC 1



SUB_VENDOR	0: SYSTEM BIOS 1: ADAPTER BIOS	DEFAULT
RAM_CFG[3:0]	NB8P-GS	NB8M-GS
RAM_CFG_0	0001: Samsung 16M X 16 DDR2 0010: Infineon 16M X 16 DDR2	1001: Samsung 16M X 16 DDR2 1010: Infineon 16M X 16 DDR2
RAM_CFG_1	0011: Hynix 16M X 16 DDR2 0101: Samsung 32M X 16 DDR2	1011: Hynix 16M X 16 DDR2 1101: Samsung 32M X 16 DDR2
RAM_CFG_2	0110: Infineon 32M X 16 DDR2 0111: Hynix 32M X 16 DDR2	1110: Infineon 32M X 16 DDR2 1111: Hynix 32M X 16 DDR2
RAM_CFG_3		

PCI_DEVID_0	MS_0111 : NB8P-GS 0x0407
PCI_DEVID_1	MS_0101 : NB8P-SE 0x0425
PCI_DEVID_2	MS_0111 : NB8M-GS 0x0427
PCI_DEVID_3	MS_1000 : NB8M-SE 0x0428
PCI_DEVID_4	

ROM_TYPE_0	MS_00 : PARALLEL MS_01 : SERIAL AT25F	
ROM_TYPE_1	MS_10 : SERIAL SST45VF MS_11 : RESERVED	DEFAULT

PEX_PLL_EN_TERM100	
3GIO_PADCFG_LUT_ADR[0]	
3GIO_PADCFG_LUT_ADR[1]	
3GIO_PADCFG_LUT_ADR[2]	
3GIO_PADCFG_LUT_ADR[3]	

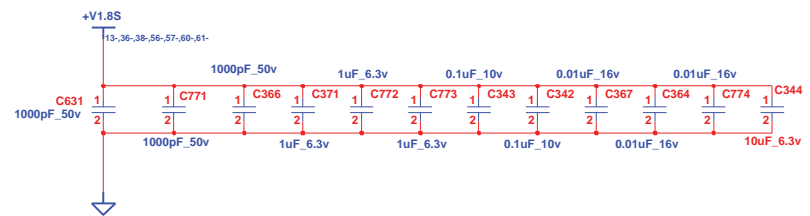
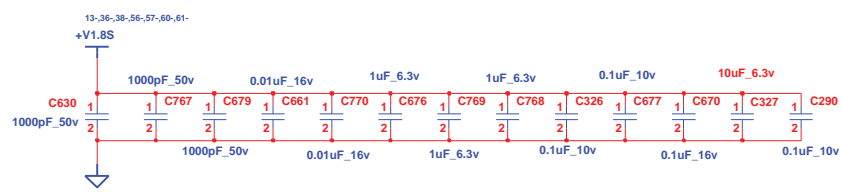
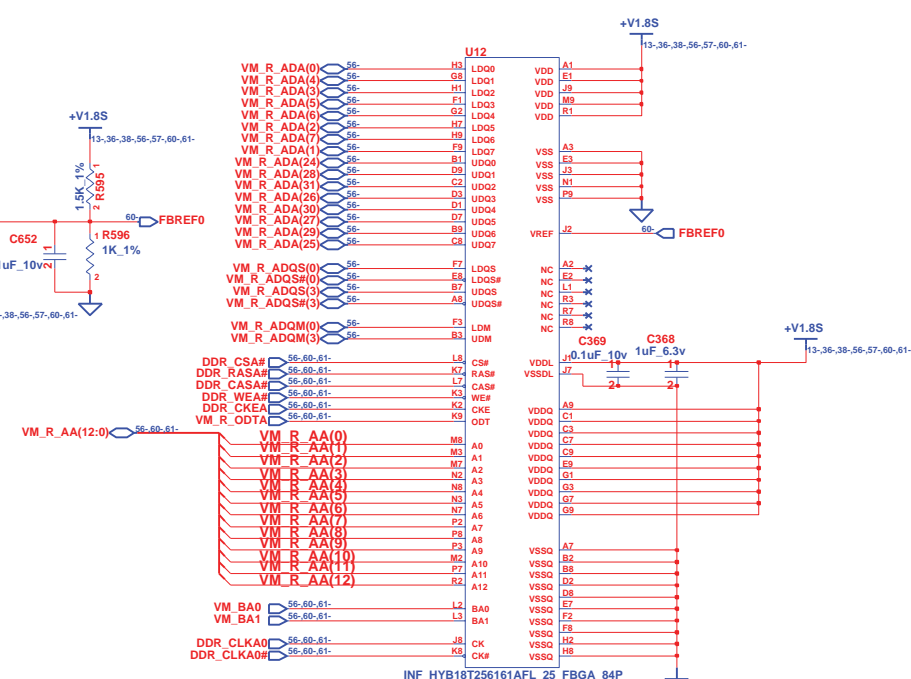
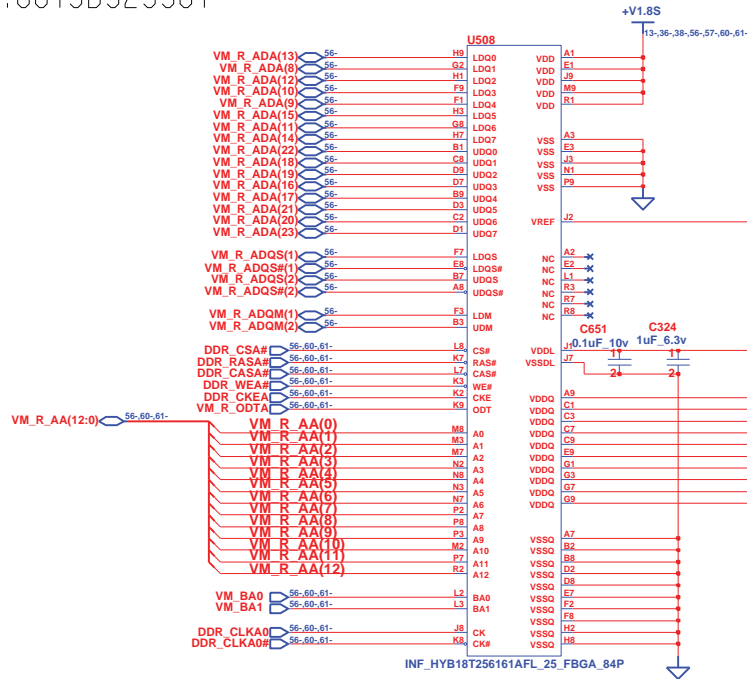
INVENTEC

TITLE
DIABLO
nVIDIA G72M(2/3)

SIZE A3	CODE CS	DOC. NUMBER <i>Model No</i>	REV AX1
SHEET		59 OF	61

CHANGE by *Drawer Name*

P/N:6019B329301



INVENTEC			
TITLE DIABLO VRAM(1/4)			
SIZE A3	CODE CS	DOC. NUMBER Model No	REV AXI
SHEET		60	OF 61

CHANGE by *Drawer Name*

