

1 2 3 4 5 6 7 8

THIS DRAWING AND SPECIFICATIONS, HEREIN, ARE THE PROPERTY OF INVENTEC CORPORATION AND SHALL NOT BE REPRODUCED, COPIED, OR USED IN WHOLE OR IN PART AS THE BASIS FOR THE MANUFACTURE OR SALE OF ITEMS WITHOUT WRITTEN PERMISSION, INVENTEC CORPORATION 2009 ALL RIGHT RESERVED

HSF Property : RoHS

PIAGET-Discrete

P09C2.0D

MV Build

2009/08/12

DATE	CHANGENO.	REV

DRAWER	EE	DATE	POWER	DATE	INVENTEC
DESIGN					
CHECK					
RESPONSIBLE					
TITLE					<i>Piaget 2.0 Discrete</i>
SIZE =	3	VER :			
FILE NAME :	XXXX-XXXXXX-XX	SIZE	CODE	DOC. NUMBER	REV
P/N	XXXXXXXXXXXX	A3	CS	1310A22683-0-MTR	A02
		SHEET	1	OF	60

F

F

1 2 3 4 5 6 7 8

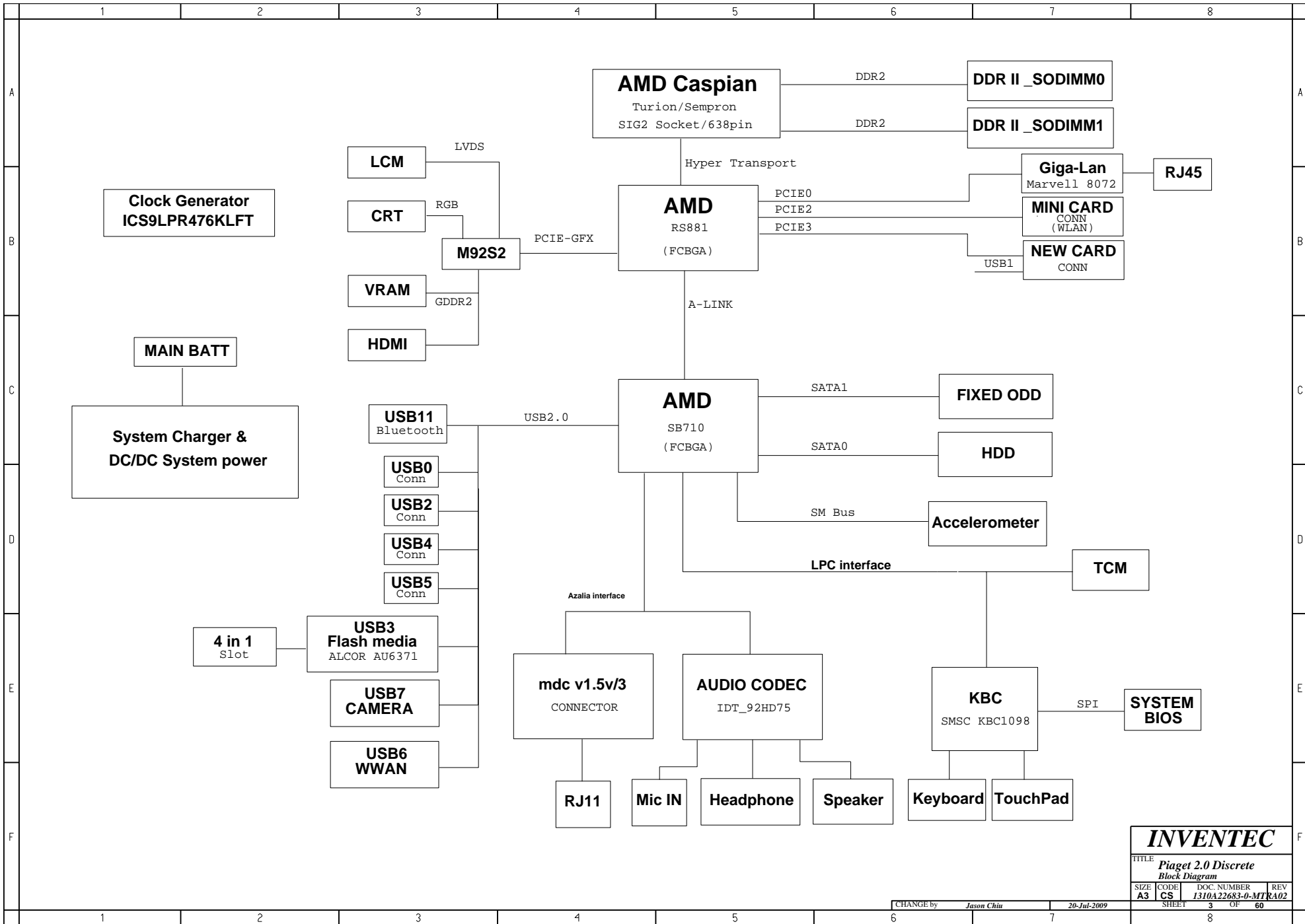
TABLE OF CONTENTS

<p>PAGE</p> <p>5- DC& BATTERY CHARGER</p> <p>6- SELECT & BATTERY CONN</p> <p>7- +V5A,+V3A & +V2.5S</p> <p>8- OCP</p> <p>9- +VCC_NB & +V1.2A</p> <p>10- +VCC_CORE</p> <p>11- POWER</p> <p>12- DDR2 POWER</p> <p>13- POWER(SLEEP)</p> <p>14- POWER(SEQUENCE)</p>	<p>PAGE</p> <p>15- CLOCK_GENERATOR</p> <p>16- CPU-1</p> <p>17- CPU-2</p> <p>18- CPU-3</p> <p>19- CPU-4</p> <p>20- DDR2-DIMMO</p> <p>21- DDR2-DIMM1</p> <p>22- DDR2-DAMPING</p> <p>23- THERMAL&FAN CONTROLLER</p> <p>24- RS780-1</p> <p>25- RS780-2</p> <p>26- RS780-3</p> <p>27- RS780-4</p> <p>28- GPU-AMD-M92S2-1</p> <p>29- GPU-AMD-M92S2-2</p> <p>29- GPU-AMD-M92S2-3</p> <p>30- GPU-AMD-M92S2-4</p> <p>32- Video RAM(GDDR2)-1</p> <p>33- Video RAM(GDDR2)-2</p> <p>34- CRT</p> <p>35- LCD CONN & WEBCAM CONN</p> <p>36- SB700-1</p> <p>37- SB700-2</p> <p>38- SB700-3</p> <p>39- SB700-4</p>	<p>PAGE</p> <p>40- KBC</p> <p>41- KB & TP CONN</p> <p>42- SPI & ACCELEROMETER</p> <p>43- HDD & ODD CONN</p> <p>44- USB CONN</p> <p>45- TCM CONN</p> <p>46- FLASH MEDIA CARD</p> <p>47- AZALIA CODEC</p> <p>48- Earphone & MIC JACK</p> <p>49- AUDIO AMP & HP JACK</p> <p>50- MDC CNTR</p> <p>51- Giga-LAN- CONTROLLER</p> <p>52- NIC-10/100/1000-RJ45 CONN</p> <p>53- MINICARD & BT CONN</p> <p>54- NEW CARD & SIM CONN</p> <p>55- W/B & SW/B & LED/B CONN</p> <p>56- SCREW</p> <p>57- Power Plan CAP</p> <p>58- HDMI</p> <p>59- 15" ODD Extend Board</p> <p>60- Switch Board & LID Switch & QL</p>
---	--	--

INVENTEC

<small>TITLE</small> Piaget 2.0 Discrete <i>Table Of Content</i>			
<small>SIZE</small> A3	<small>CODE</small> CS	<small>DOC. NUMBER</small> 1310A22683-0-MTR	<small>REV</small> A02
<small>SHEET</small> 2		<small>OF</small> 60	

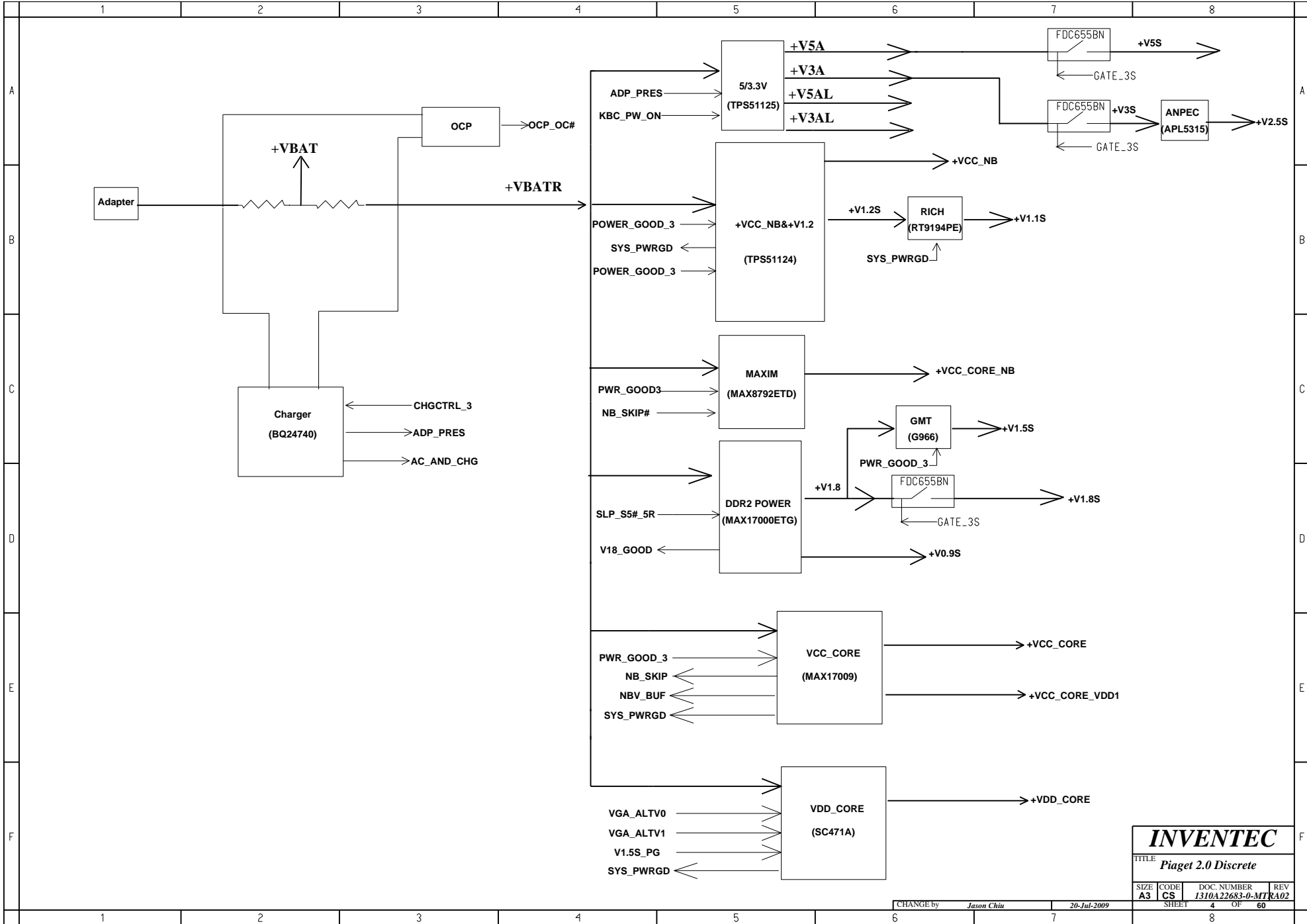
CHANGE by Jason Chiu 20-Jul-2009



INVENTEC

TITLE
Piaget 2.0 Discrete
Block Diagram

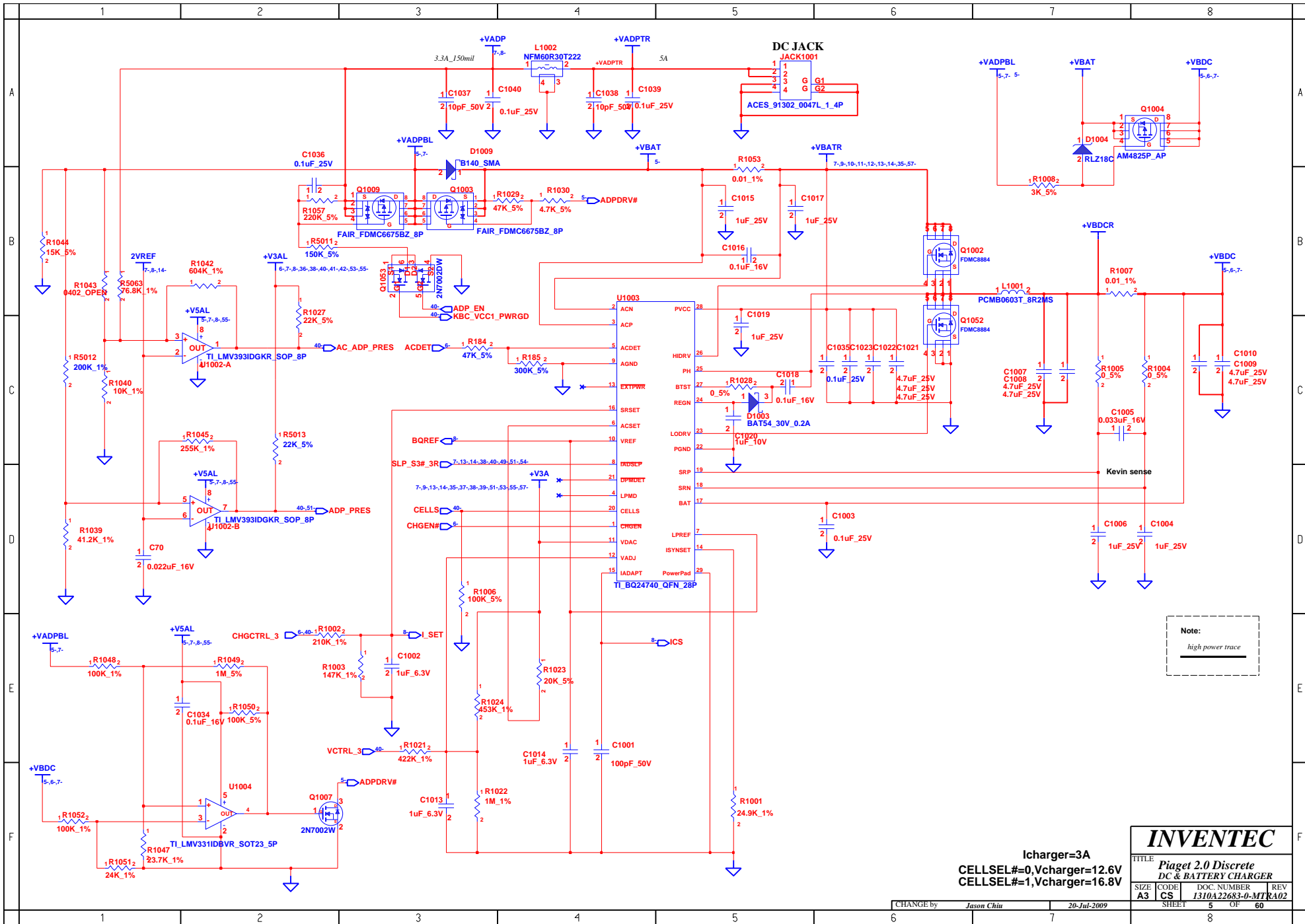
SIZE A3	CODE CS	DOC. NUMBER 1310A22683-0-MTR	REV A02
-------------------	-------------------	--	-------------------



INVENTEC

TITLE: **Piaget 2.0 Discrete**

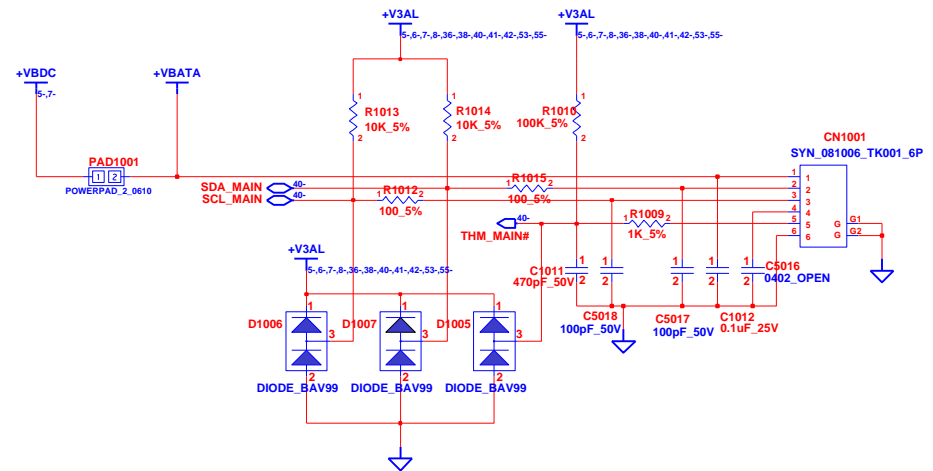
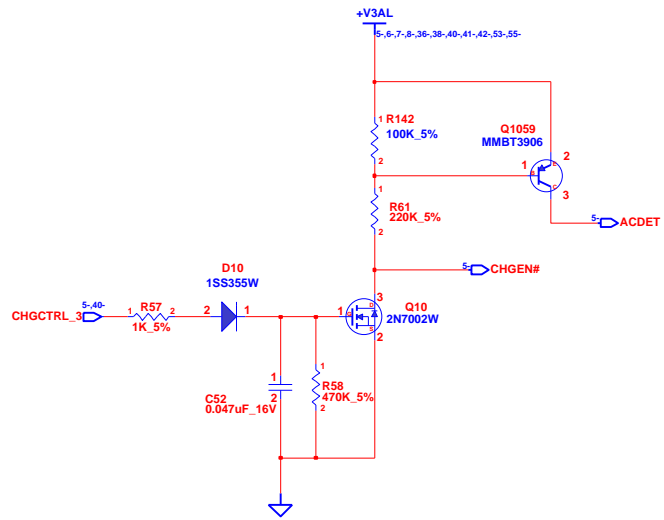
SIZE	CODE	DOC. NUMBER	REV
A3	CS	1310A22683-0-MTR	A02



Note:
high power trace

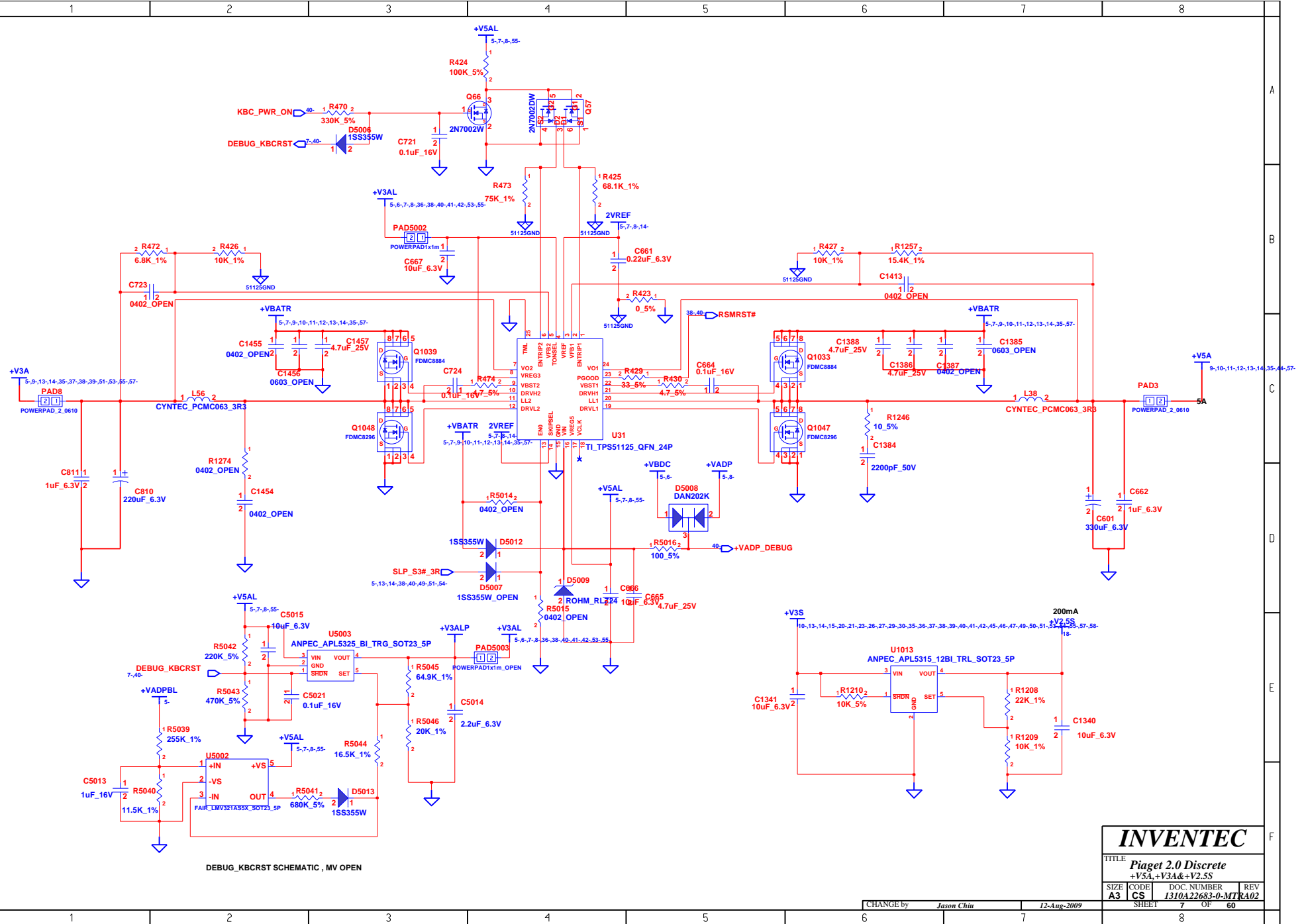
Icharger=3A
CELLSEL#=0,Vcharger=12.6V
CELLSEL#=1,Vcharger=16.8V

INVENTEC			
TITLE: Piaget 2.0 Discrete DC & BATTERY CHARGER			
SIZE: A3	CODE: CS	DOC NUMBER: I310A22633-0-MTR	REV: A02
CHANGE by: Jason Chiu		DATE: 20-Jul-2009	
SHEET: 5		OF: 60	



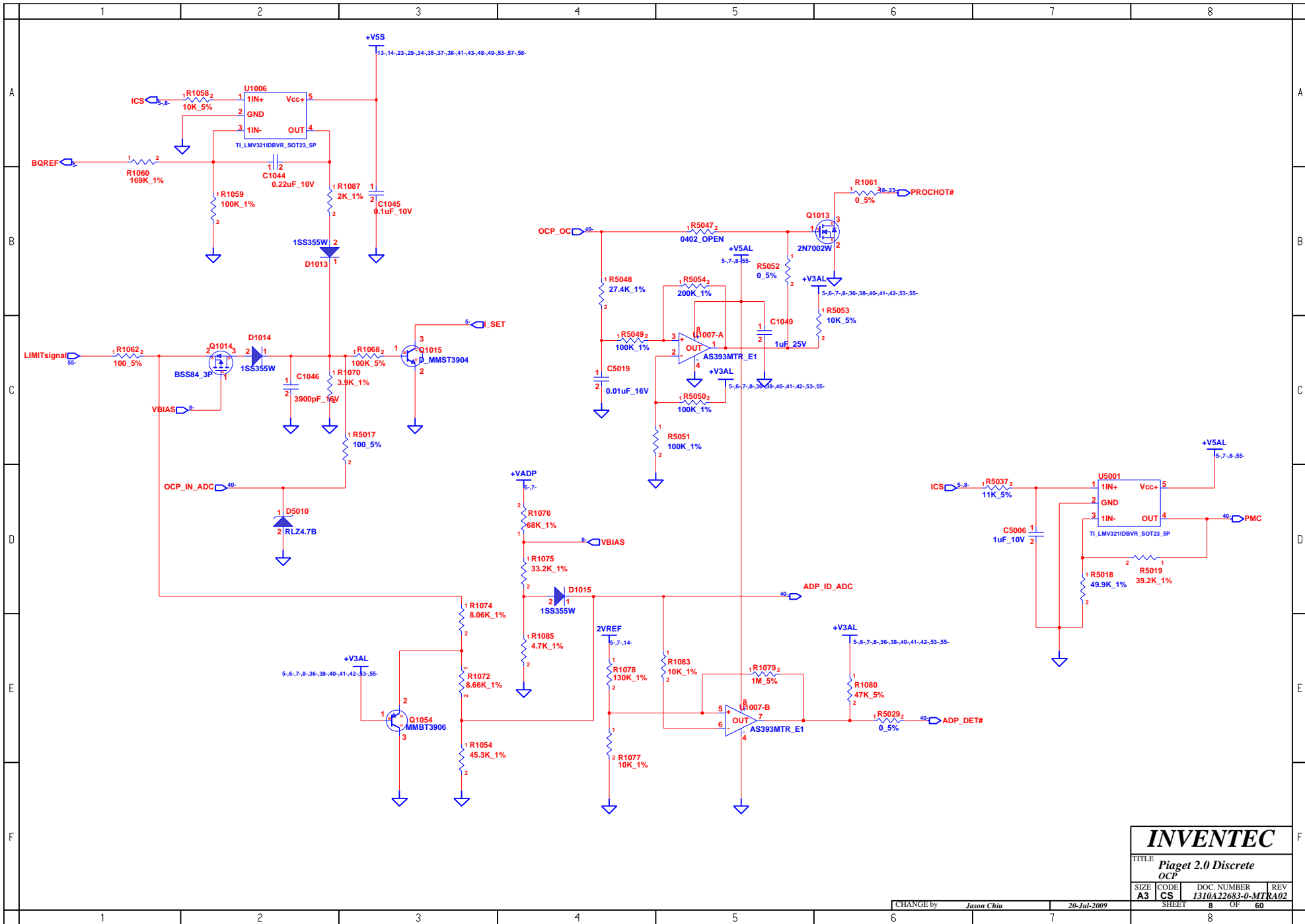
INVENTEC

TITLE			
Piguet 2.0 Discrete SELECT & BATTERY CONN			
SIZE	CODE	DOC. NUMBER	REV
A3	CS	I310A22683-0-MT	KA02
CHANGE by		Jason Chiu	20-Jul-2009
SHEET		6	OF 60

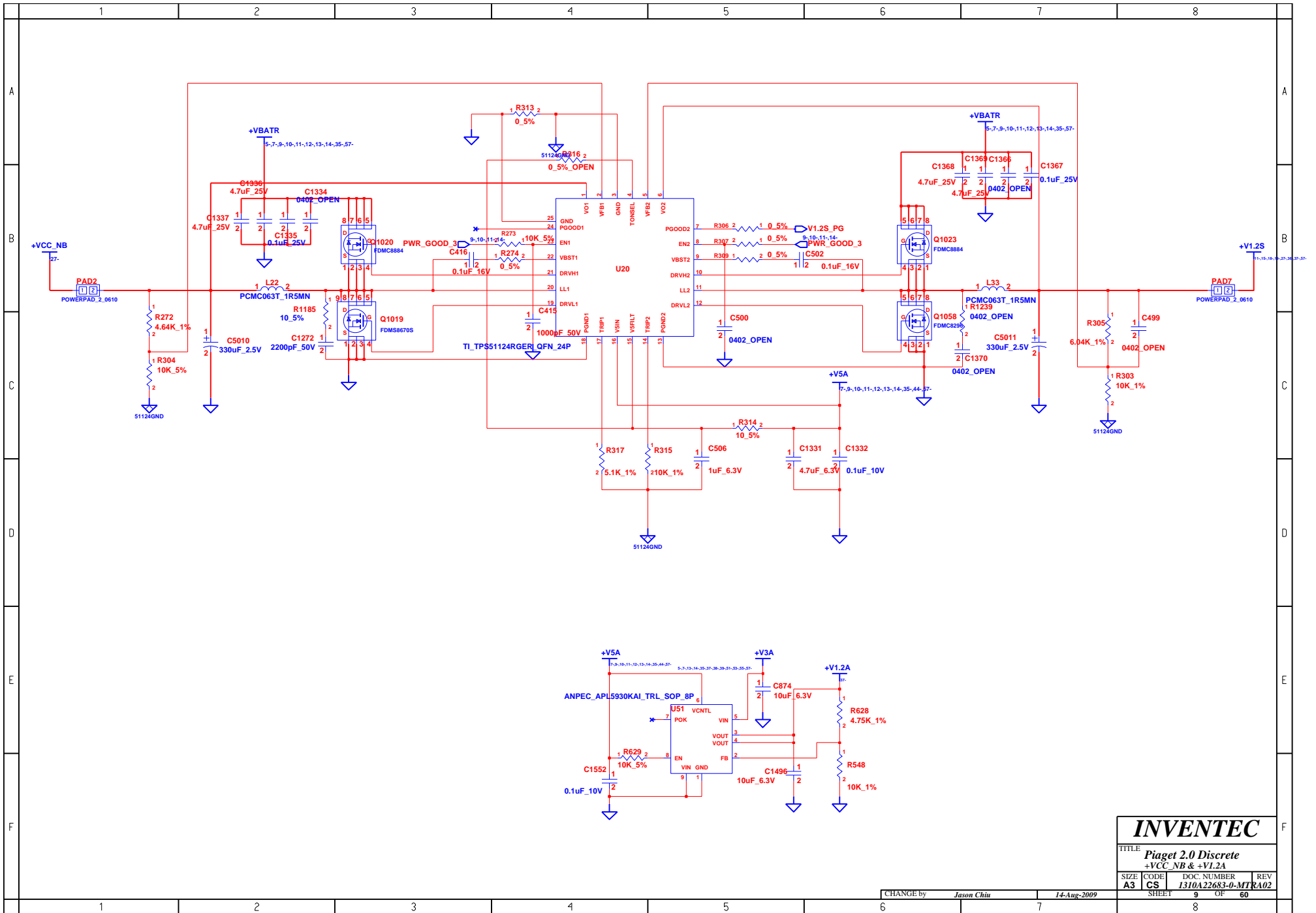


DEBUG_KBCRST SCHEMATIC, MV OPEN

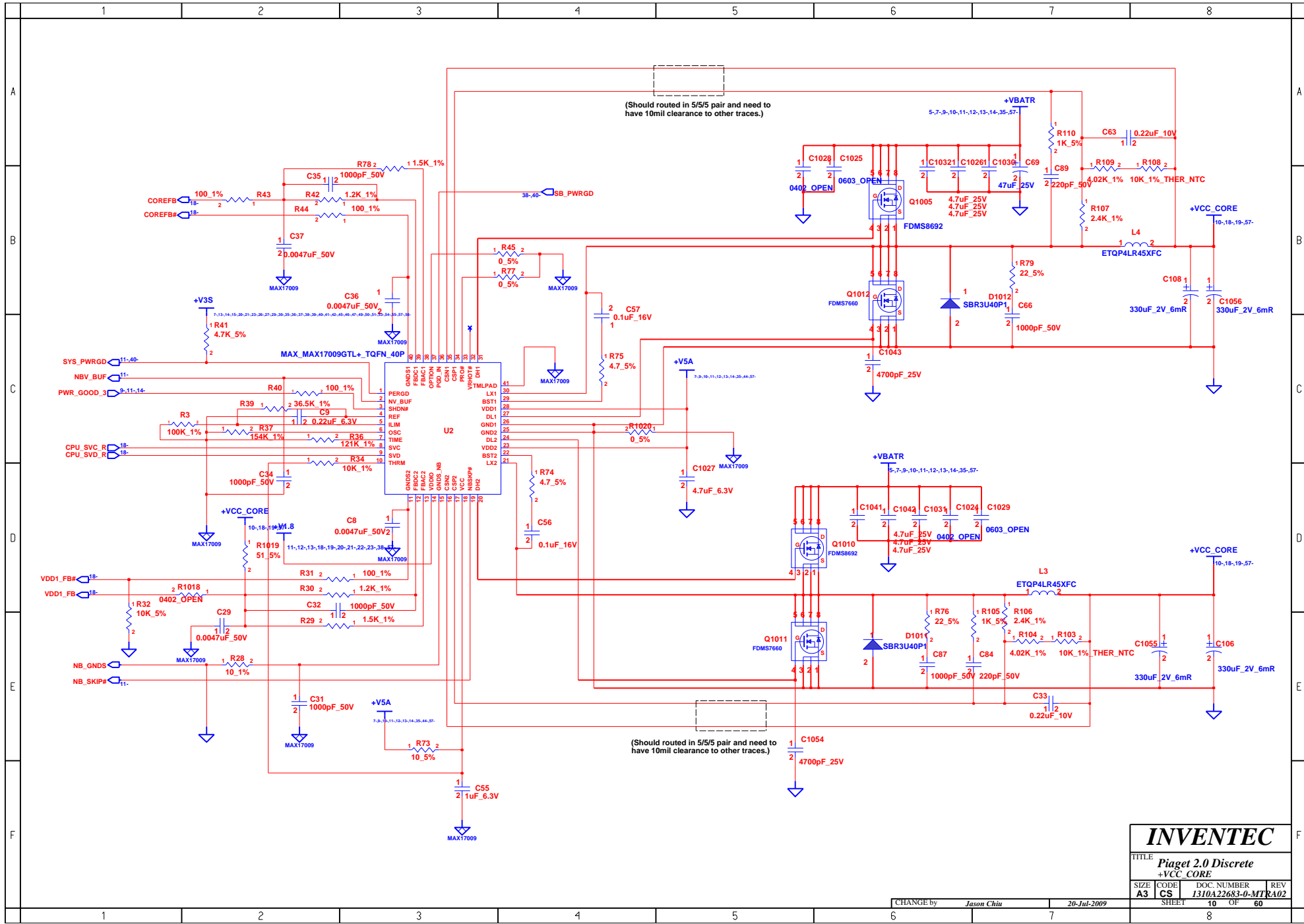
INVENTEC			
TITLE: Piaget 2.0 Discrete			
+V5A,+V3A&+V2.5S			
SIZE	CODE	DOC NUMBER	REV
A3	CS	I310A2263-0-MTR	RA02



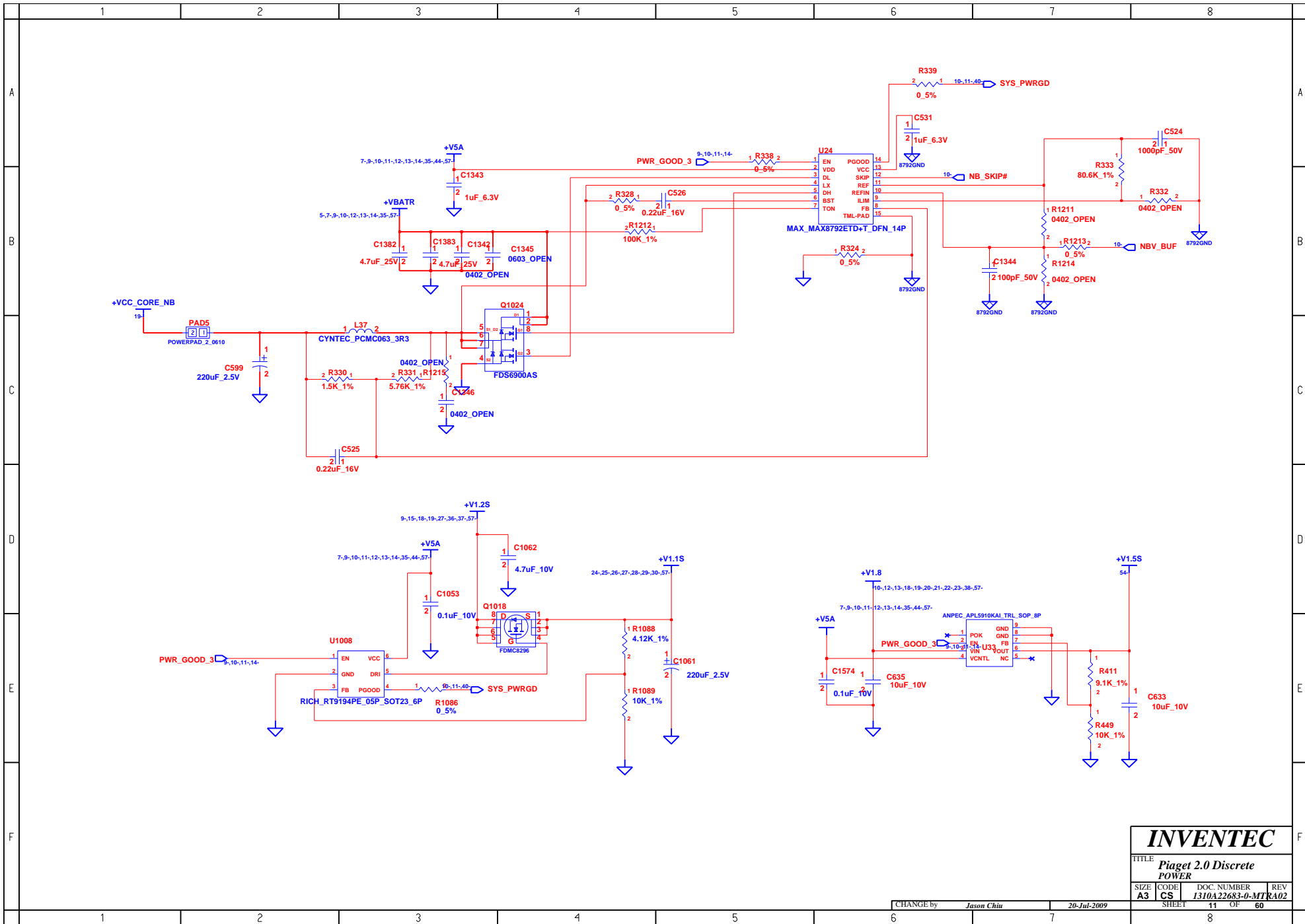
INVENTEC			
TITLE Piaget 2.0 Discrete OCP			
SIZE A3	CODE CS	DOC. NUMBER 1310A2263-0-MT	REV A02
CHANGE by <i>Jason Chiu</i>		20-Jul-2009	
SHEET 8		OF 60	



INVENTEC			
TITLE Piaget 2.0 Discrete			
+VCC_NB & +V1.2A			
SIZE A3	CODE CS	DOC NUMBER I310A2263-0-MT	REV A02
CHANGE by <i>Jason Chiu</i>		14-Aug-2009	
SHEET 9		OF 80	



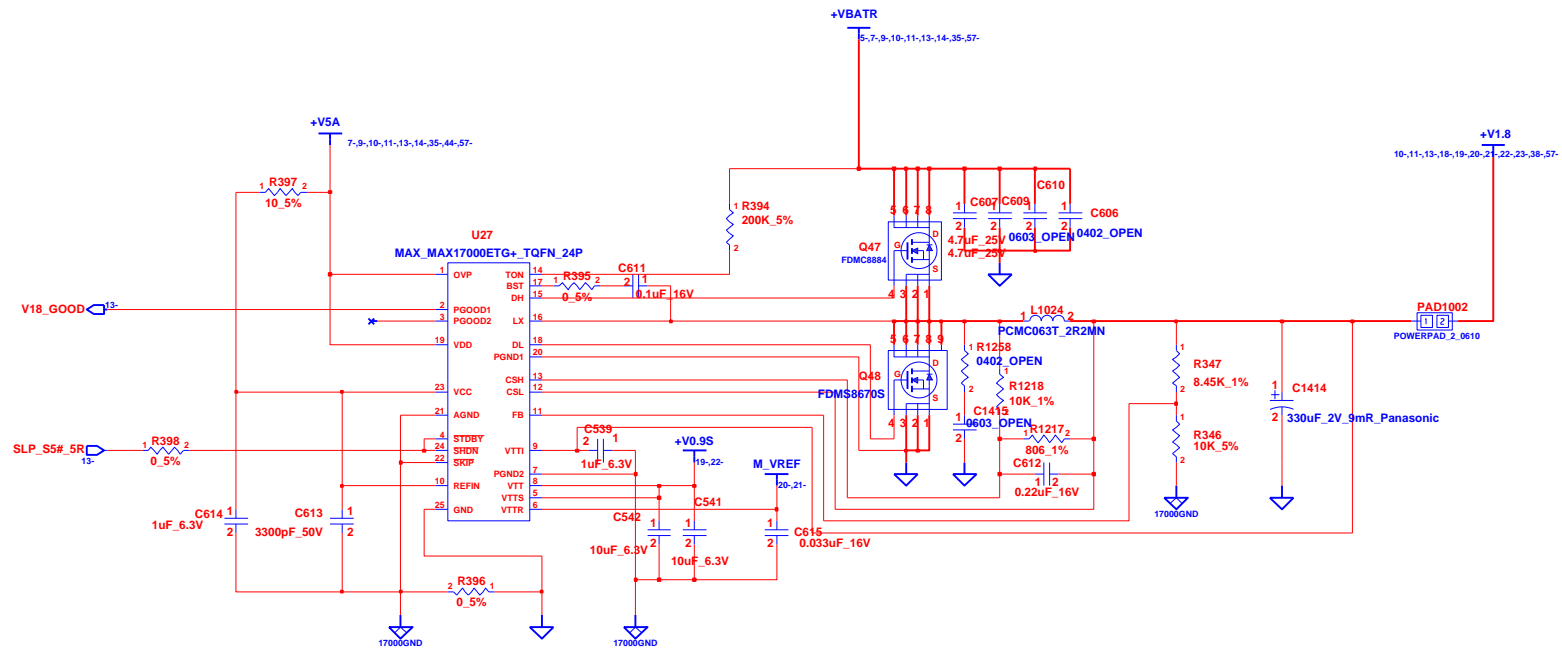
INVENTEC			
TITLE Piaget 2.0 Discrete +VCC_CORE			
SIZE A3	CODE CS	DOC NUMBER I310A2263-0-MT	REV A02
CHANGE by <i>Jason Chiu</i>		20-Jul-2009	
SHEET 10		OF 60	



INVENTEC

TITLE
**Piaget 2.0 Discrete
 POWER**

SIZE A3	CODE CS	DOC. NUMBER I310A2263-0-MT	REV R02
-------------------	-------------------	--------------------------------------	-------------------



NOTE: DDR2 REGULATOR

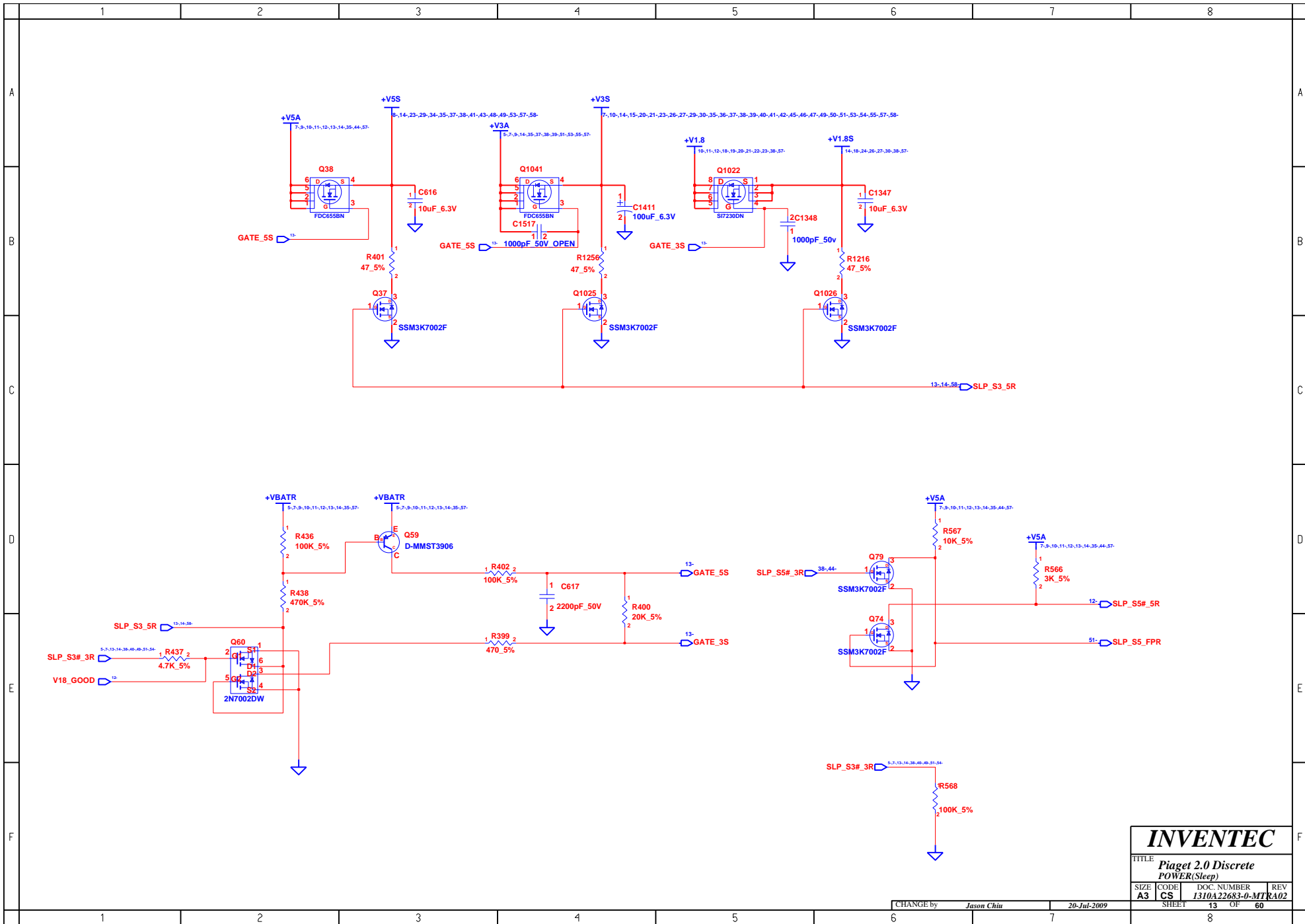
INVENTEC

TITLE
**Piaget 2.0 Discrete
 DDR2 POWER**

SIZE A3	CODE CS	DOC. NUMBER I310A22683-0-MT	REV KA02
-------------------	-------------------	---------------------------------------	--------------------

CHANGE by *Jason Chiu* 20-Jul-2009

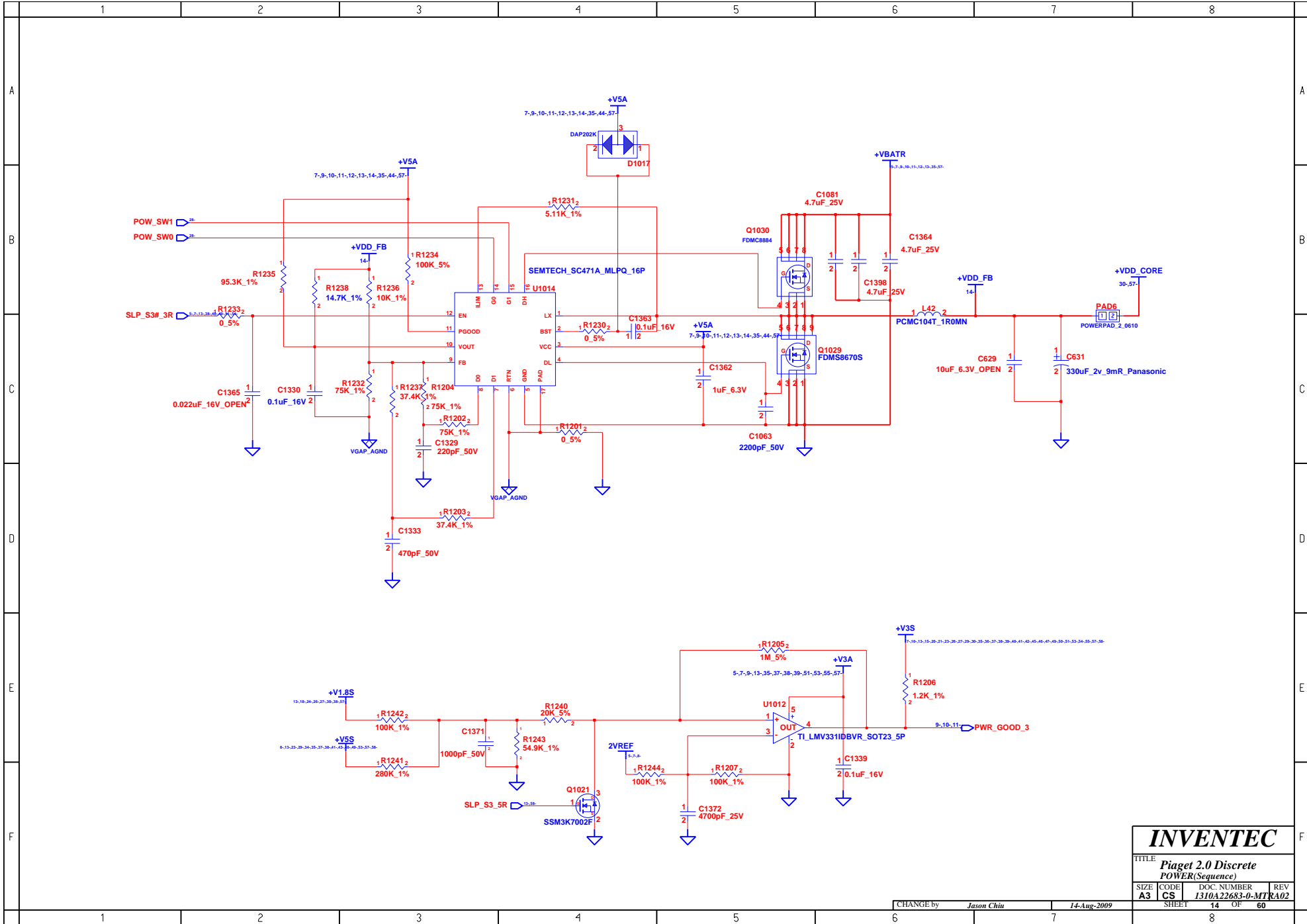
SHEET 12 OF 60



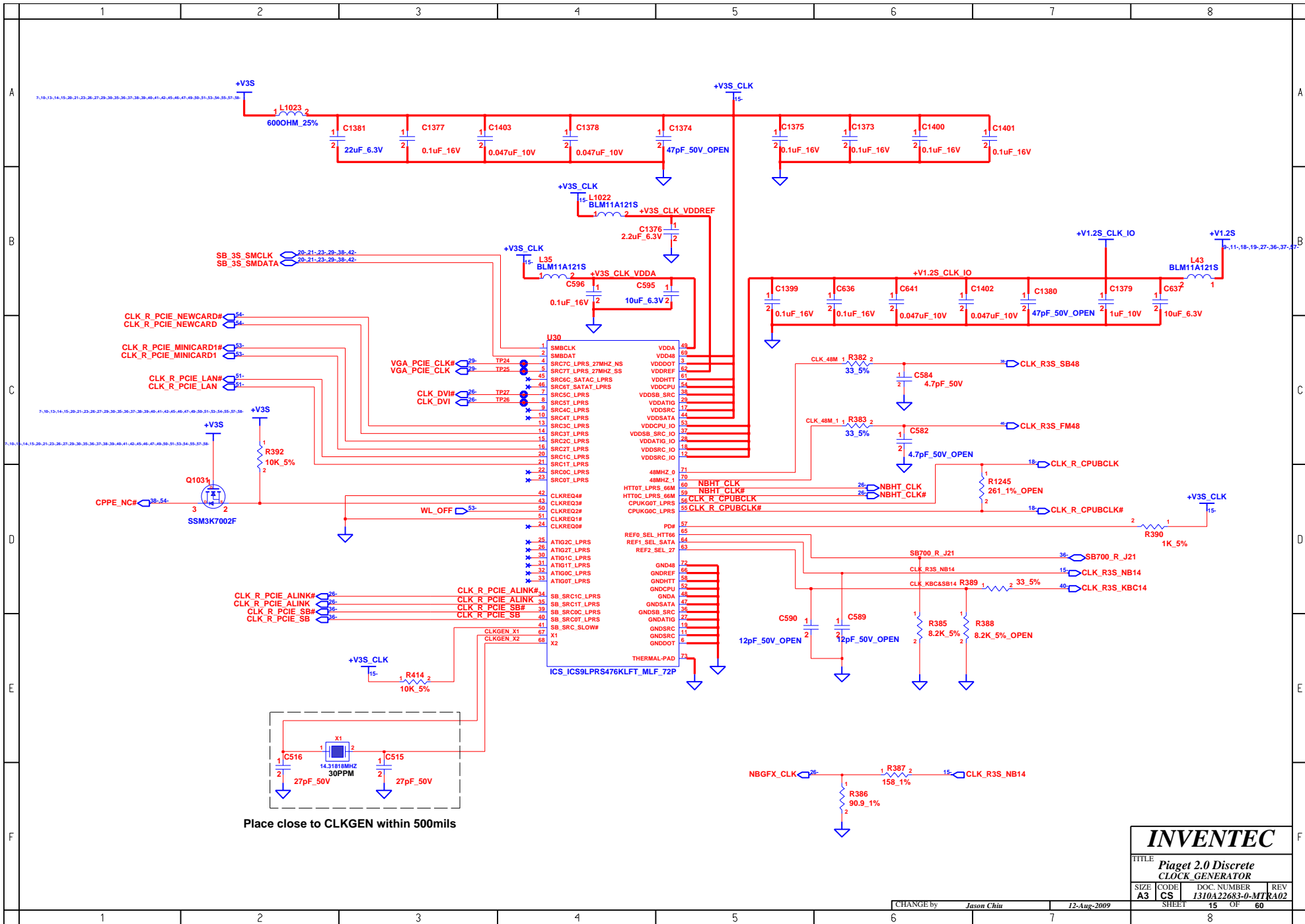
INVENTEC

TITLE			
Piaget 2.0 Discrete POWER(Sleep)			
SIZE	CODE	DOC. NUMBER	REV
A3	CS	I310A22683-0-MT	R402

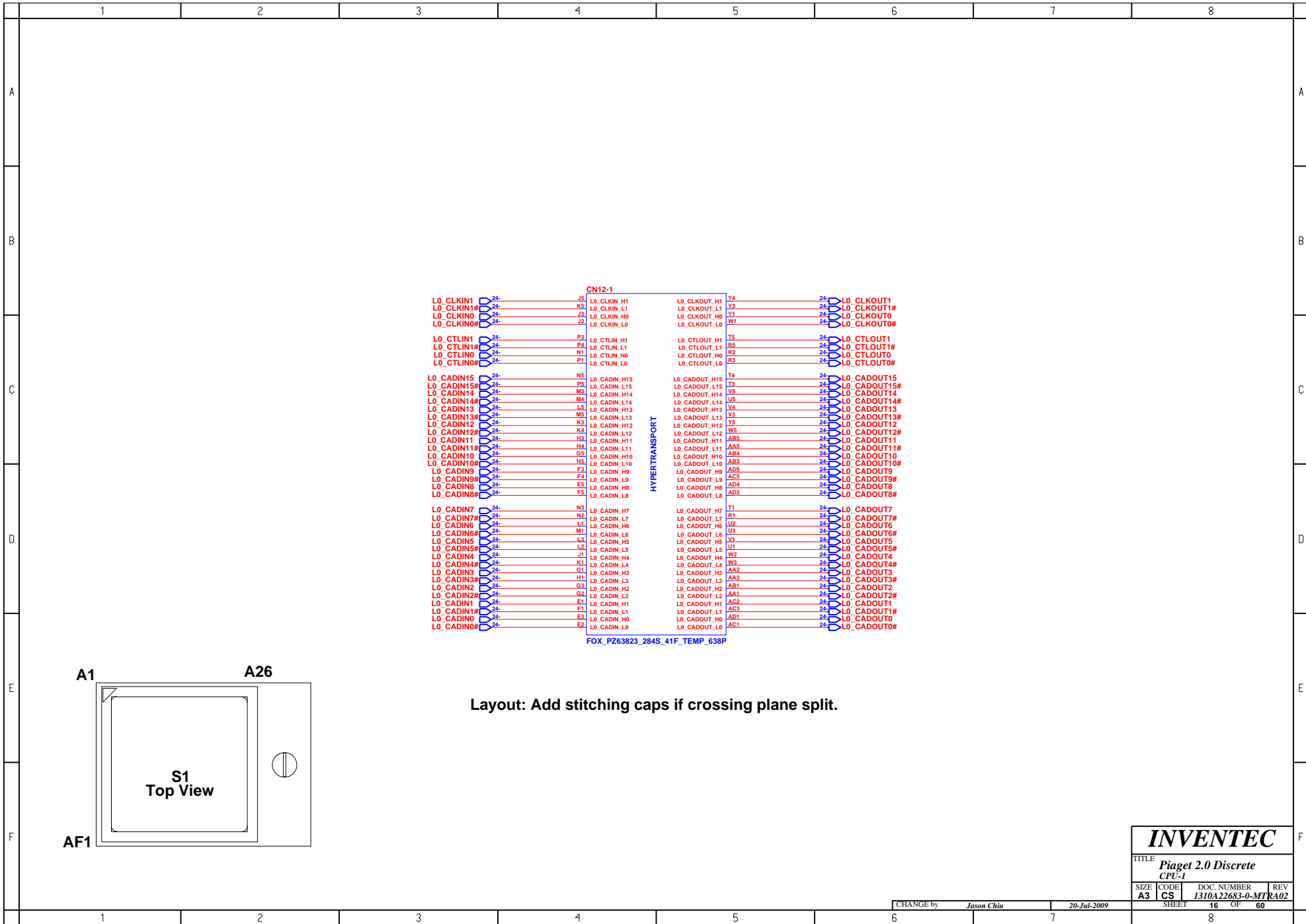
CHANGE by	Jason Chiu	20-Jul-2009	SHEET	13	OF	60
-----------	------------	-------------	-------	----	----	----



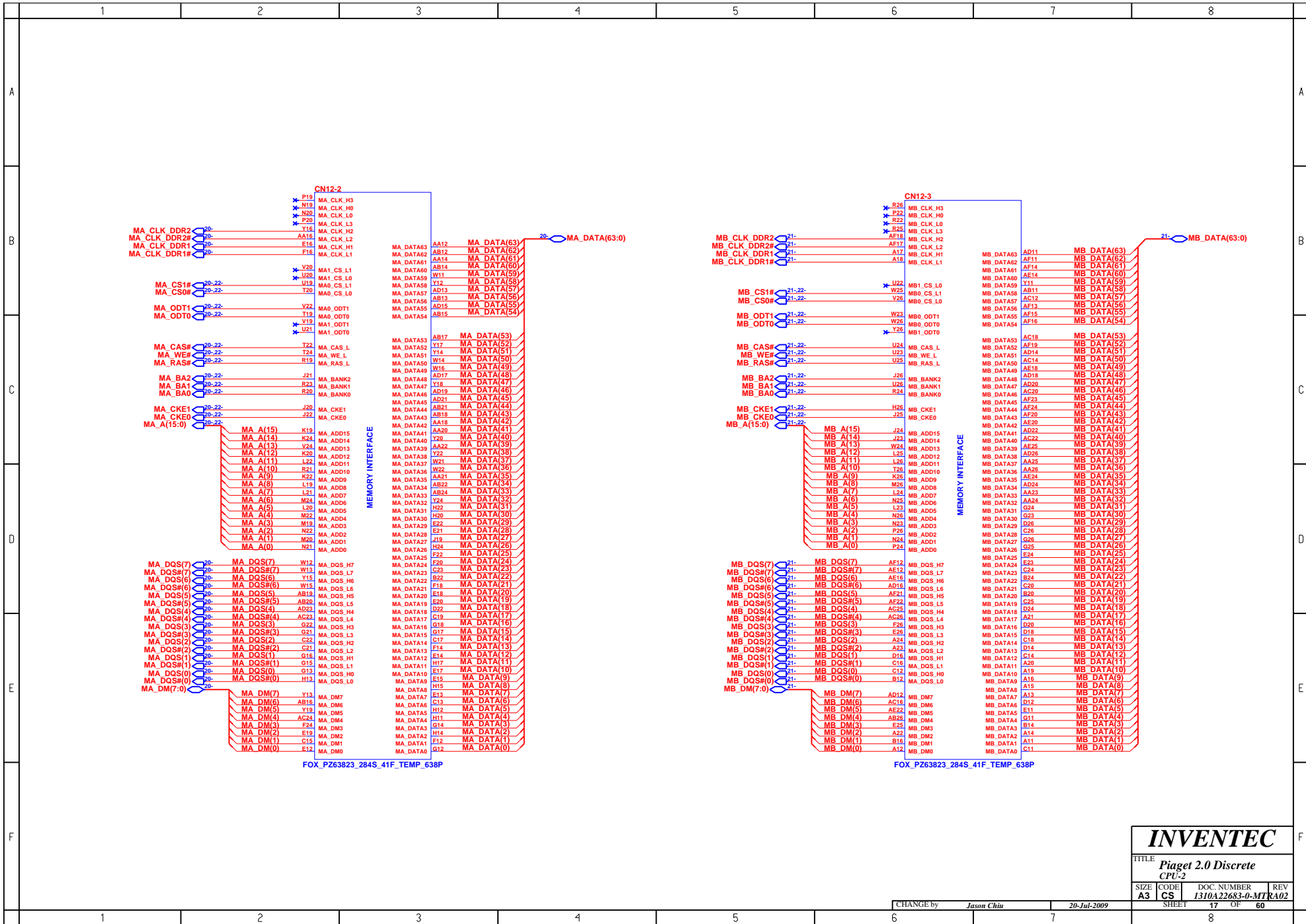
INVENTEC			
TITLE Piaget 2.0 Discrete POWER(Sequence)			
SIZE A3	CODE CS	DOC NUMBER I310A22683-0-MT	REV KA02
CHANGE by <i>Jason Chiu</i>		14-Aug-2009	
SHEET 14		OF 60	



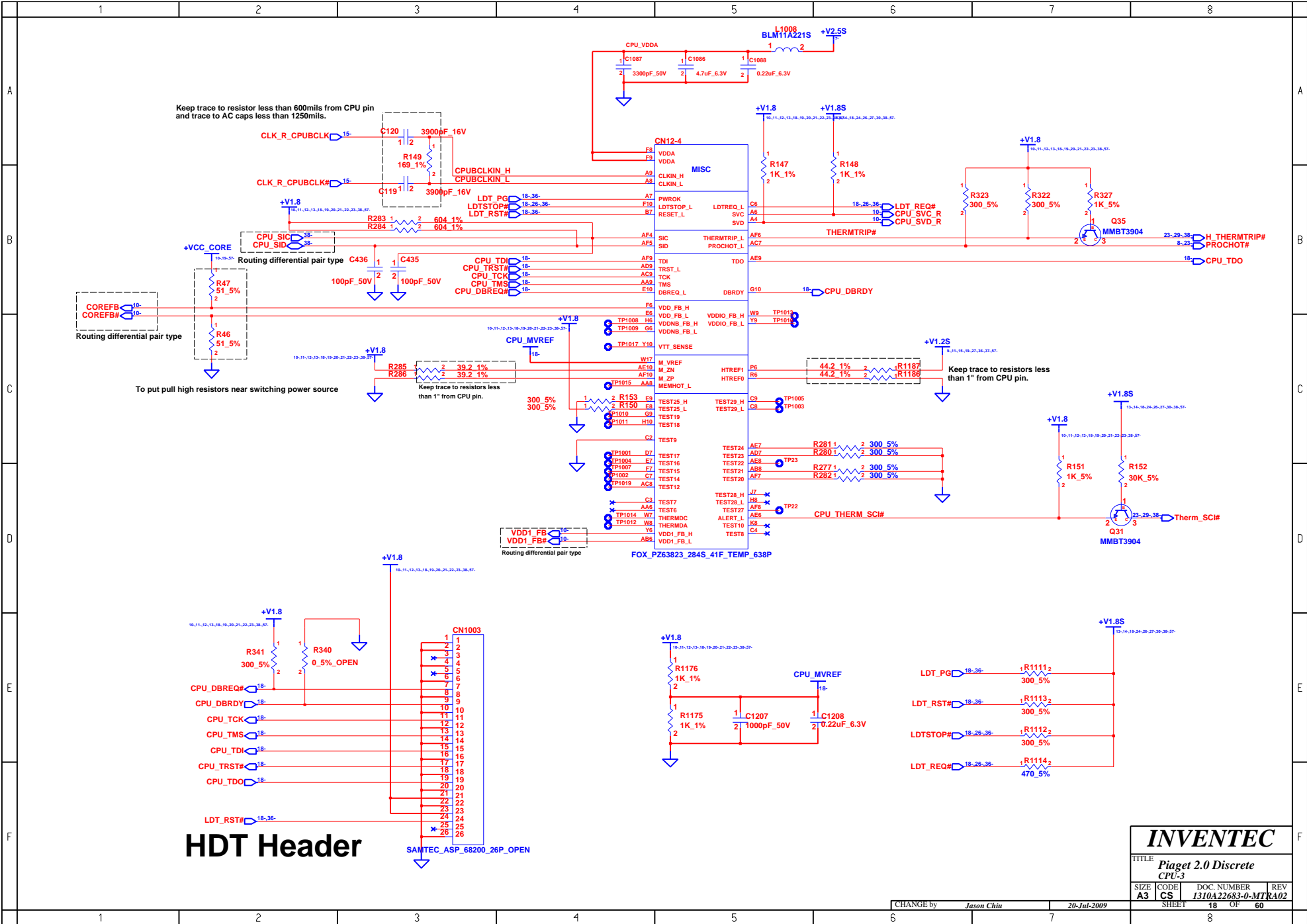
INVENTEC			
TITLE Piaget 2.0 Discrete CLOCK GENERATOR			
SIZE A3	CODE CS	DOC NUMBER I310A2263-0-MT	REV A02
CHANGE by <i>Jason Chiu</i>		12-Aug-2009	
SHEET 15		OF 60	



INVENTEC			
TITLE Piaget 2.0 Discrete CPU-1			
SIZE A3	CODE CS	DOC. NUMBER I310A22683-0-MT	REV KA02
CHANGE by <i>Jason Chiu</i>		20-Jul-2009	
SHEET		OF	
16		60	



INVENTEC			
TITLE Piaget 2.0 Discrete CPU-2			
SIZE A3	CODE CS	DOC. NUMBER I310A2263-0-MT	REV A02
CHANGE by <i>Jason Chiu</i>		20-Jul-2009	
SHEET 17		OF 60	



Keep trace to resistor less than 600mils from CPU pin and trace to AC caps less than 1250mils.

To put pull high resistors near switching power source

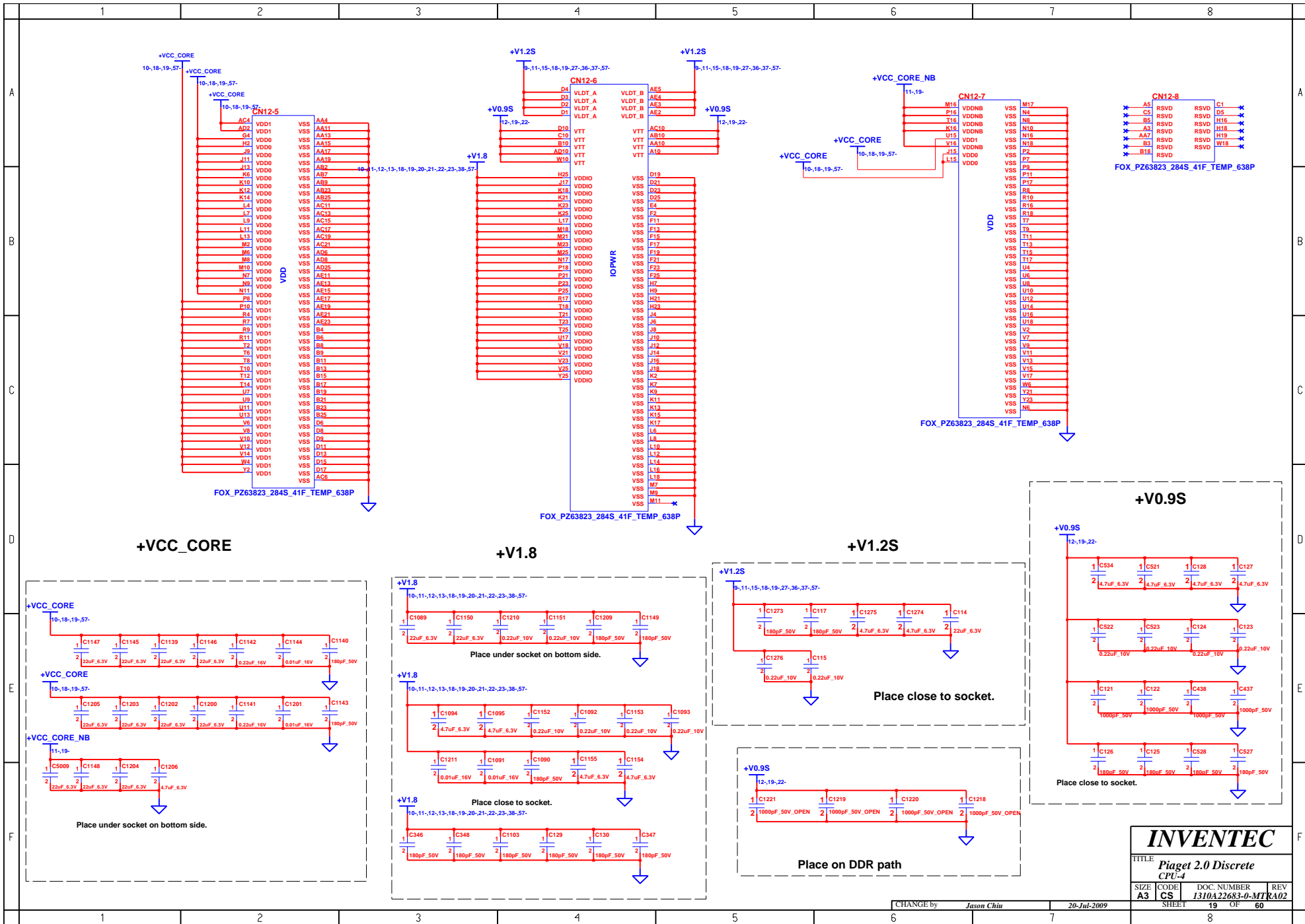
Keep trace to resistors less than 1" from CPU pin.

HDT Header

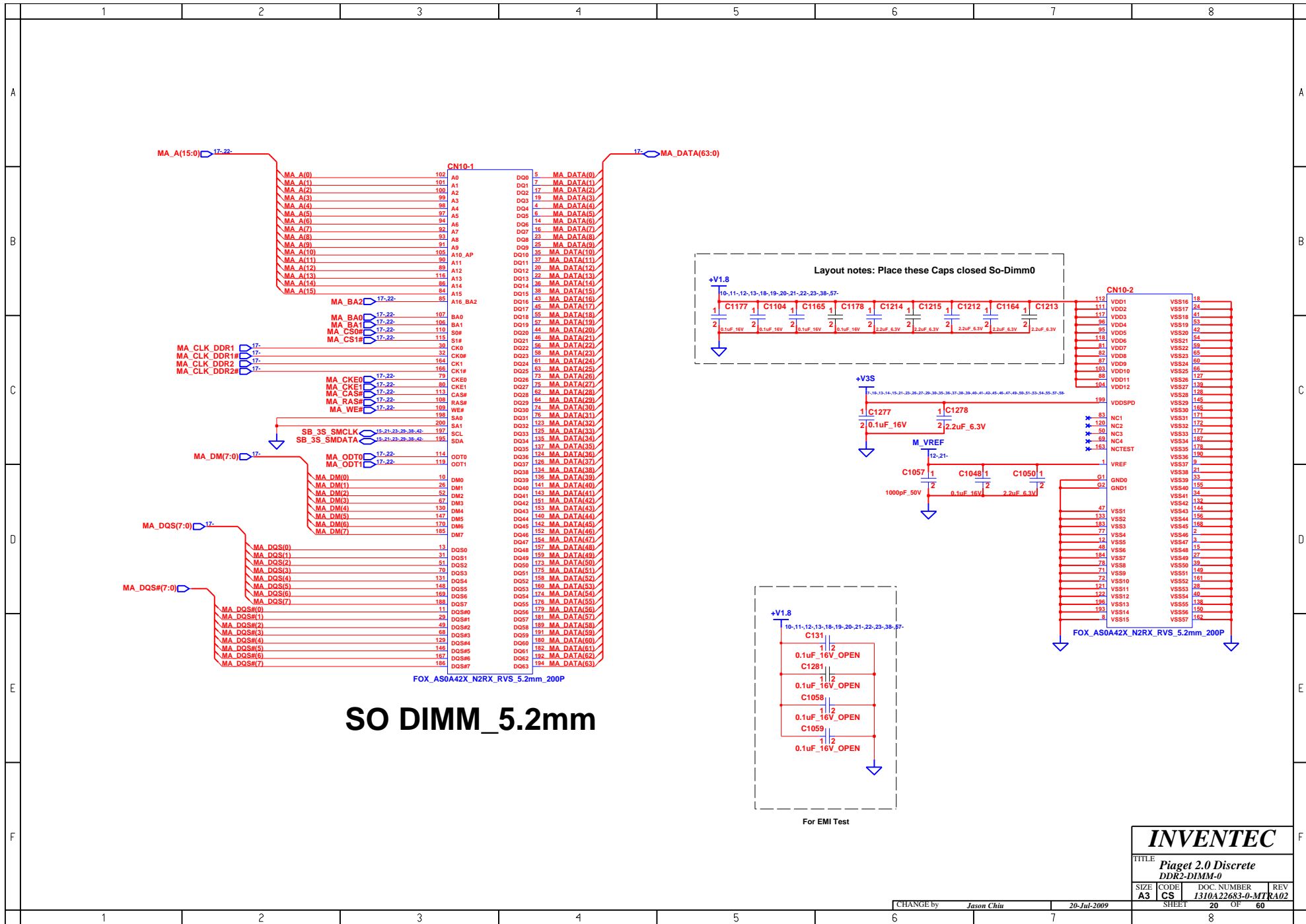
INVENTEC

TITLE			
Piaget 2.0 Discrete CPU-3			
SIZE	CODE	DOC. NUMBER	REV
A3	CS	1310A2263-0-MT	KA02
SHEET		OF	
18		80	

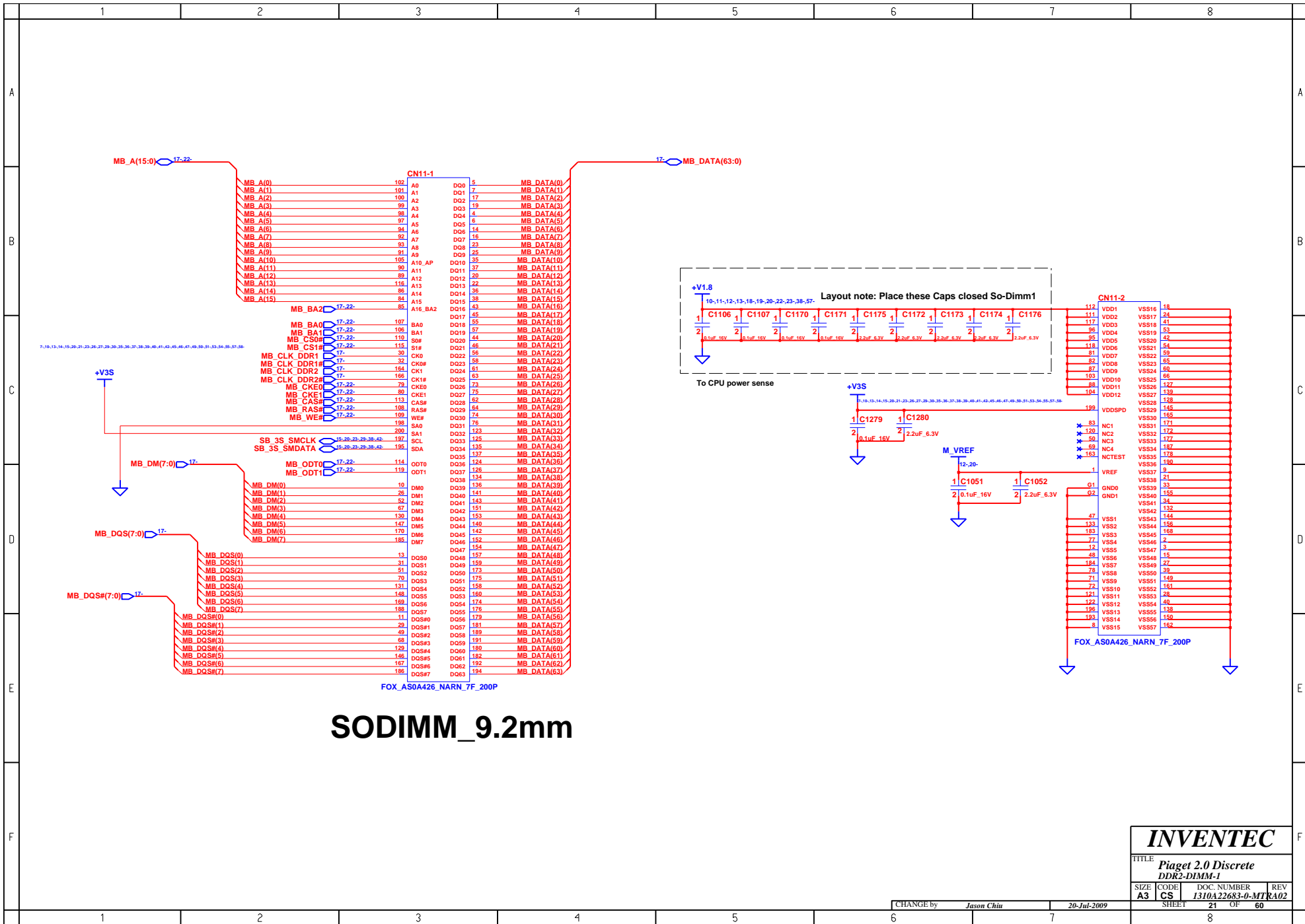
CHANGE by Jason Chiu 20-Jul-2009



INVENTEC			
TITLE Piaget 2.0 Discrete CPU-4			
SIZE A3	CODE CS	DOC. NUMBER I310A2263-0-MTR	REV R402
CHANGE by <i>Jason Chiu</i>		20-Jul-2009	
SHEET 19		OF 60	



INVENTEC				
TITLE Piaget 2.0 Discrete DDR2-DIMM-0				
SIZE A3	CODE CS	DOC. NUMBER I310A2263-0-MT	REV A02	
CHANGE by <i>Jason Chiu</i>		20-Jul-2009		
SHEET			20	OF 60

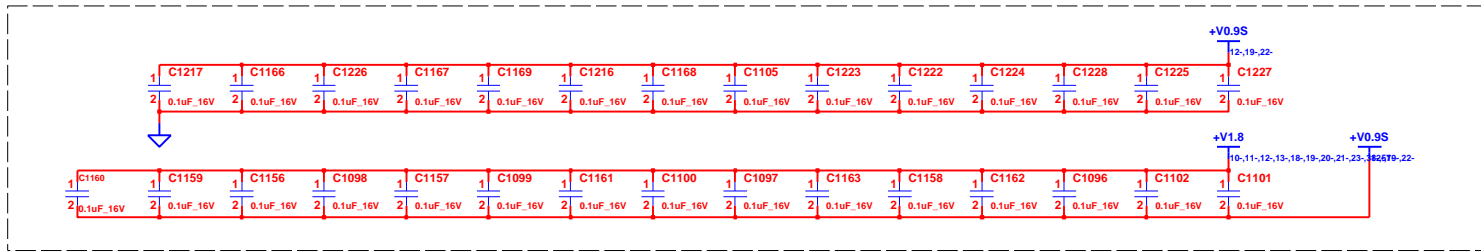


INVENTEC

TITLE: **Piaget 2.0 Discrete DDR2-DIMM-1**

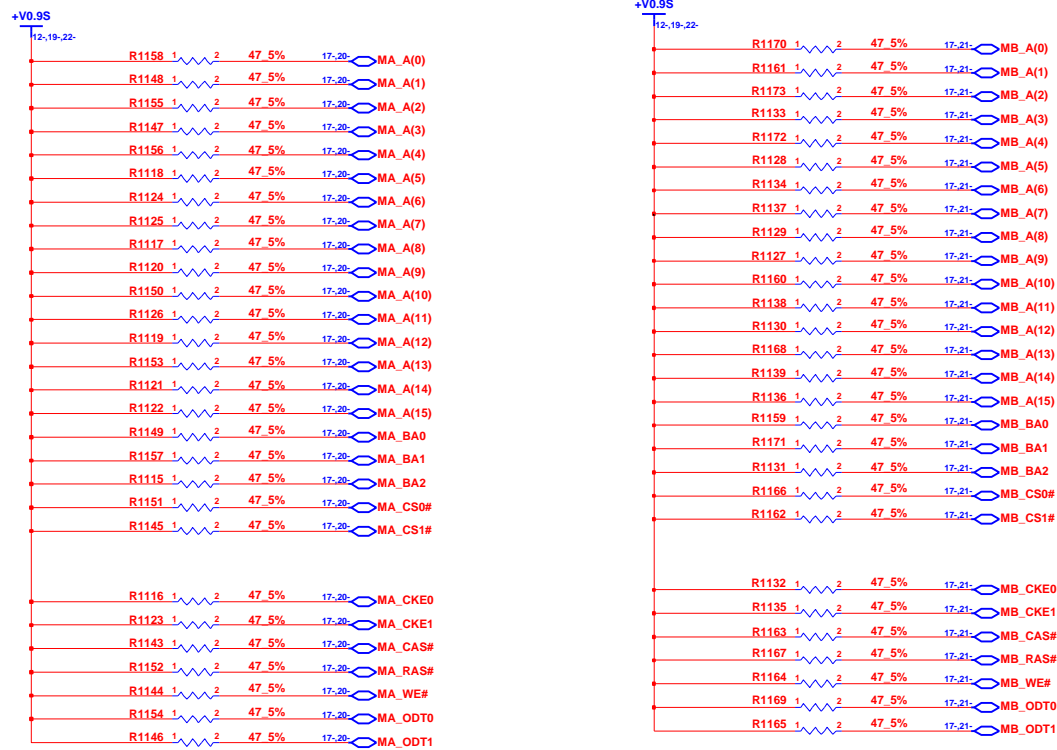
SIZE	CODE	DOC. NUMBER	REV
A3	CS	1310A2263-0-MT	R02

CHANGE by: Jason Chiu 20-Jul-2009 SHEET 21 OF 60



To CPU power sense

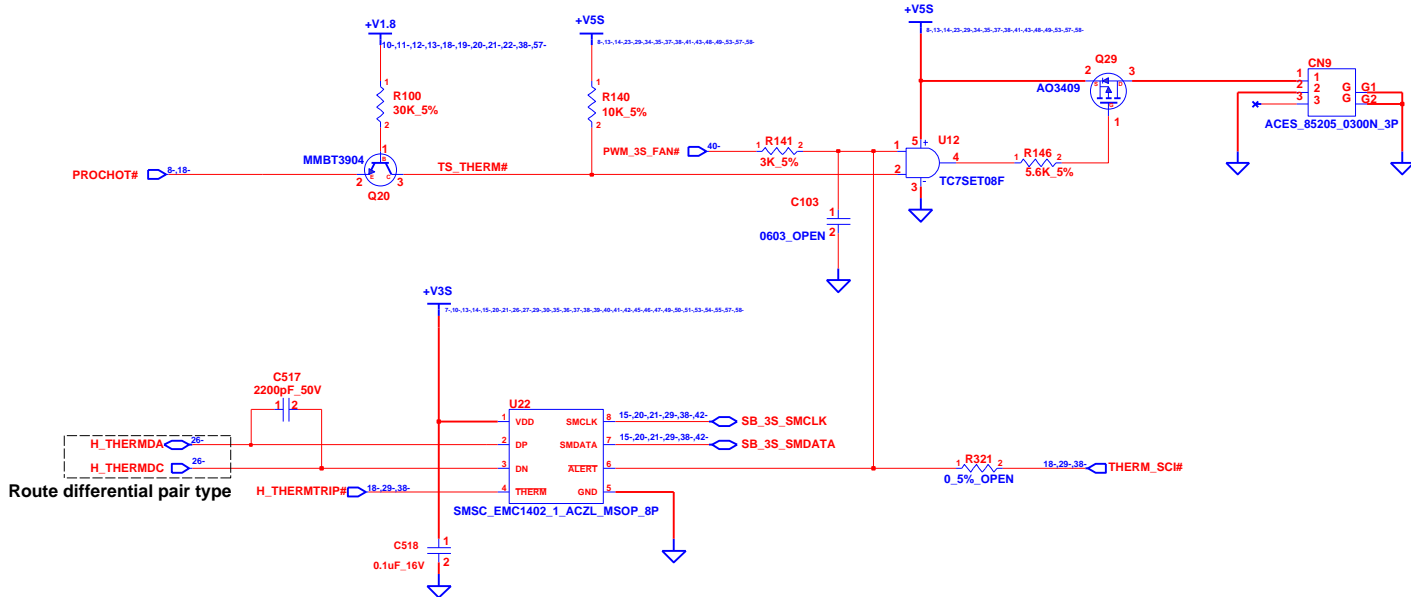
Place CAPs close to DIMM



INVENTEC

TITLE			
Piaget 2.0 Discrete DDR2-DAMPING			
SIZE	CODE	DOC NUMBER	REV
A3	CS	I310A2263-0-MT	KA02
SHEET		22	OF 60

CHANGE by Jason Chiu 20-Jul-2009



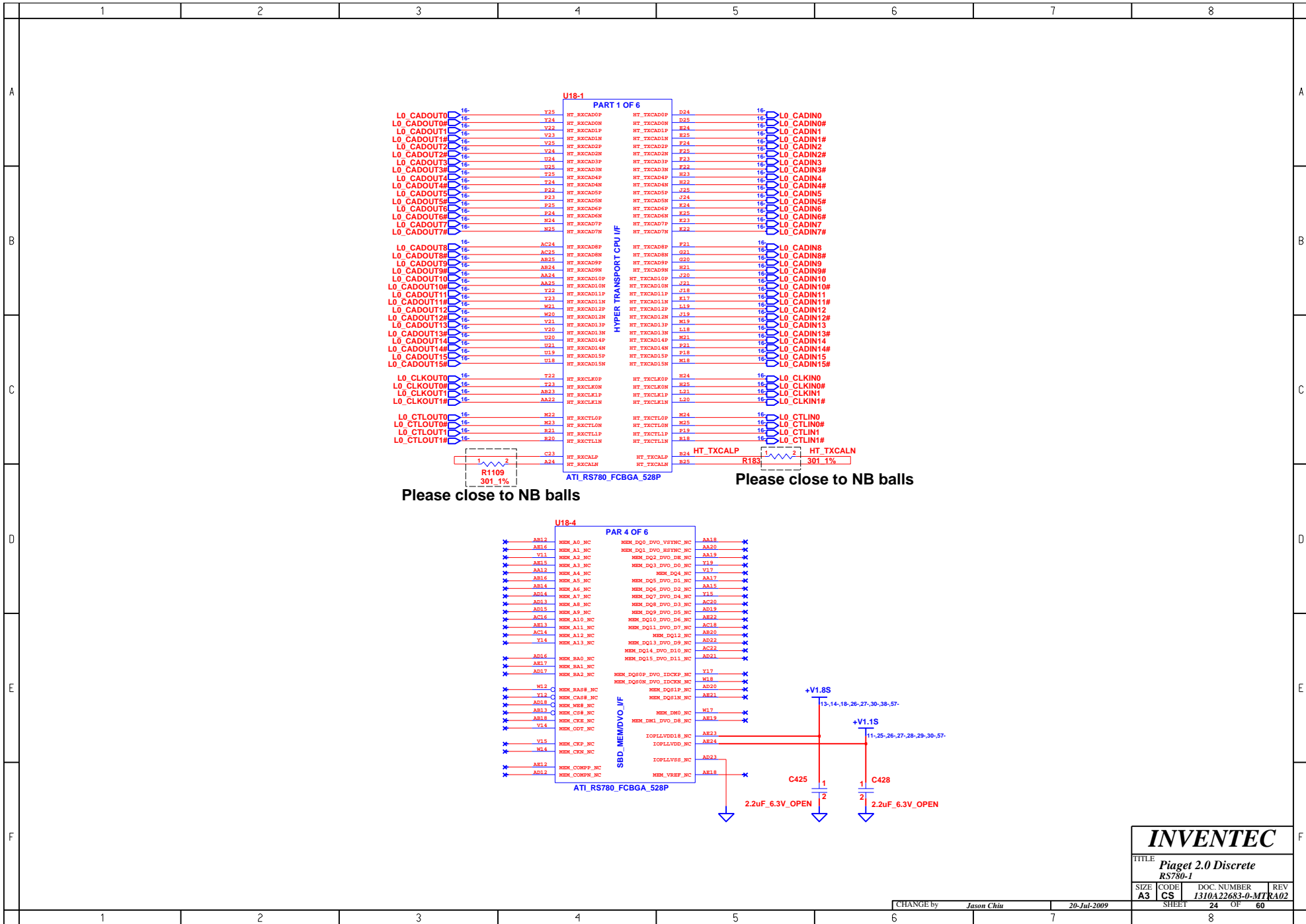
Route differential pair type

LAYOUT Note: Put the thermal sensor close to CPU.

INVENTEC

TITLE			
Piaget 2.0 Discrete			
THERMAL & FAN CONTROLLER			
SIZE	CODE	DOC. NUMBER	REV
A3	CS	1310A22683-0-MT	KA02
CHANGE by		SHEET	
Jason Chiu		23 OF 60	

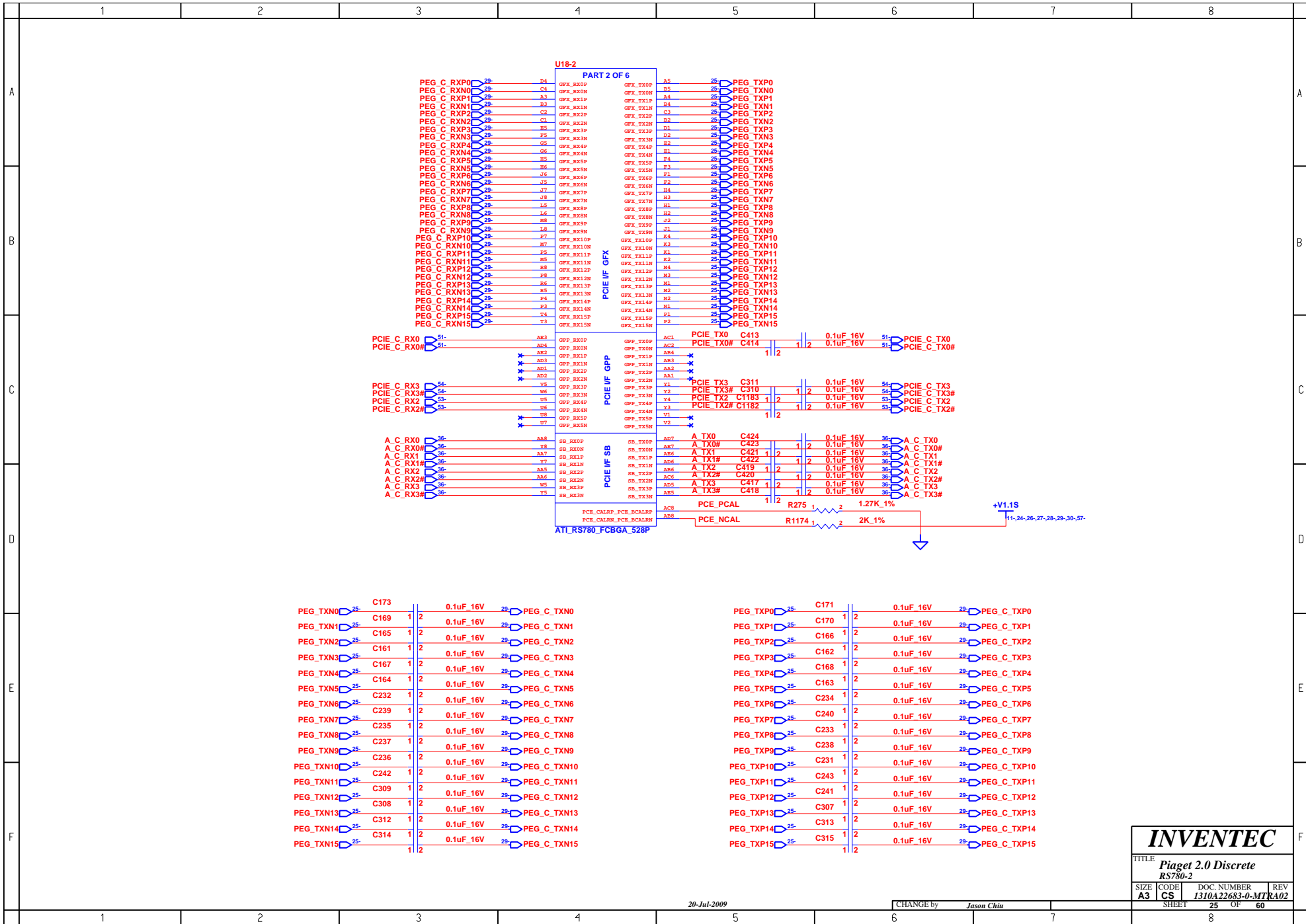
20-Jul-2009



INVENTEC

TITLE
Piaget 2.0 Discrete RS780-1

SIZE A3	CODE CS	DOC. NUMBER I310A2263-0-MTR	REV A02
CHANGE by <i>Jason Chiu</i>		20-Jul-2009	
SHEET 24		OF 60	



INVENTEC

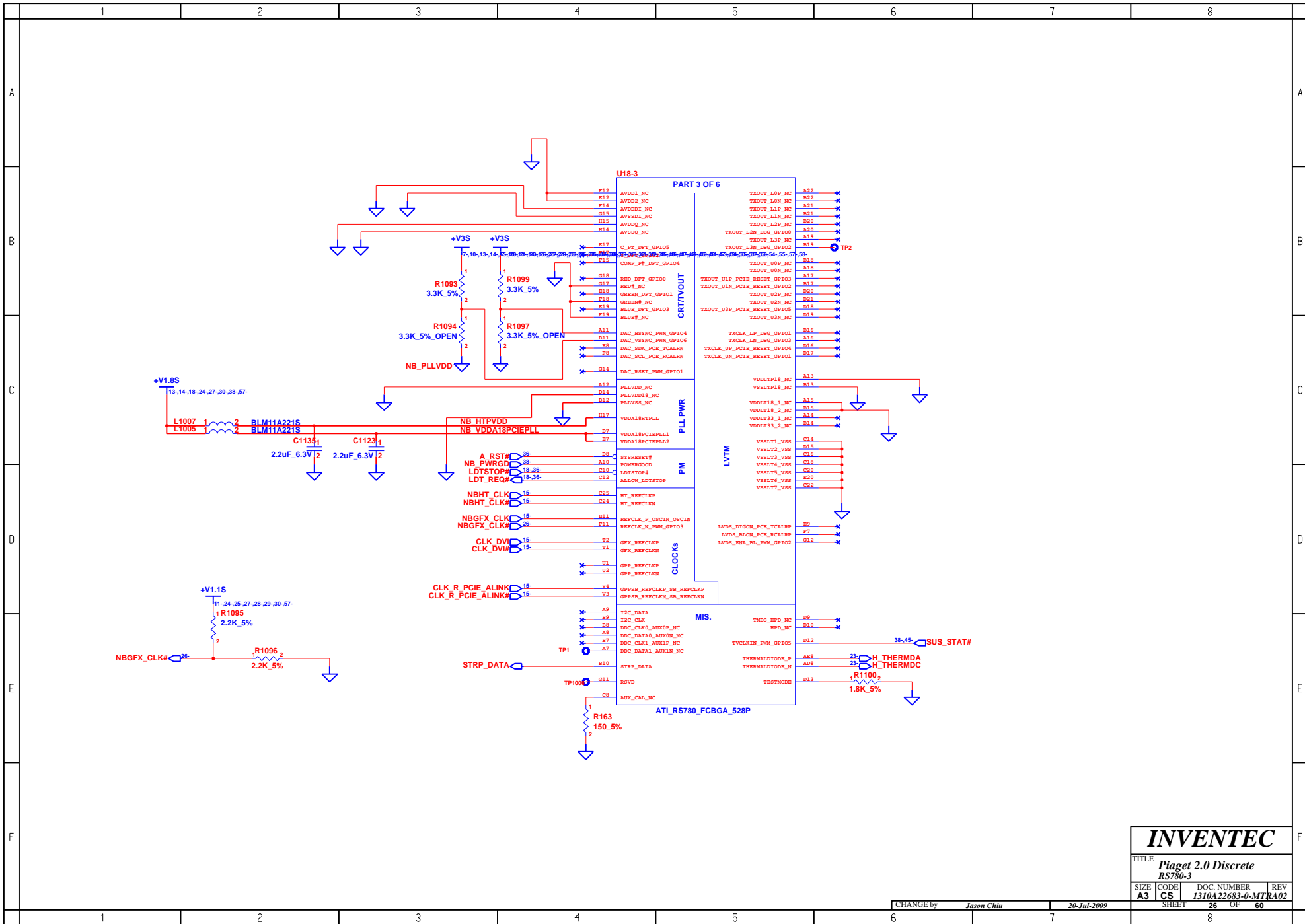
TITLE
Piaget 2.0 Discrete RS780-2

SIZE	CODE	DOC. NUMBER	REV
A3	CS	1310A22683-0-MT	A02

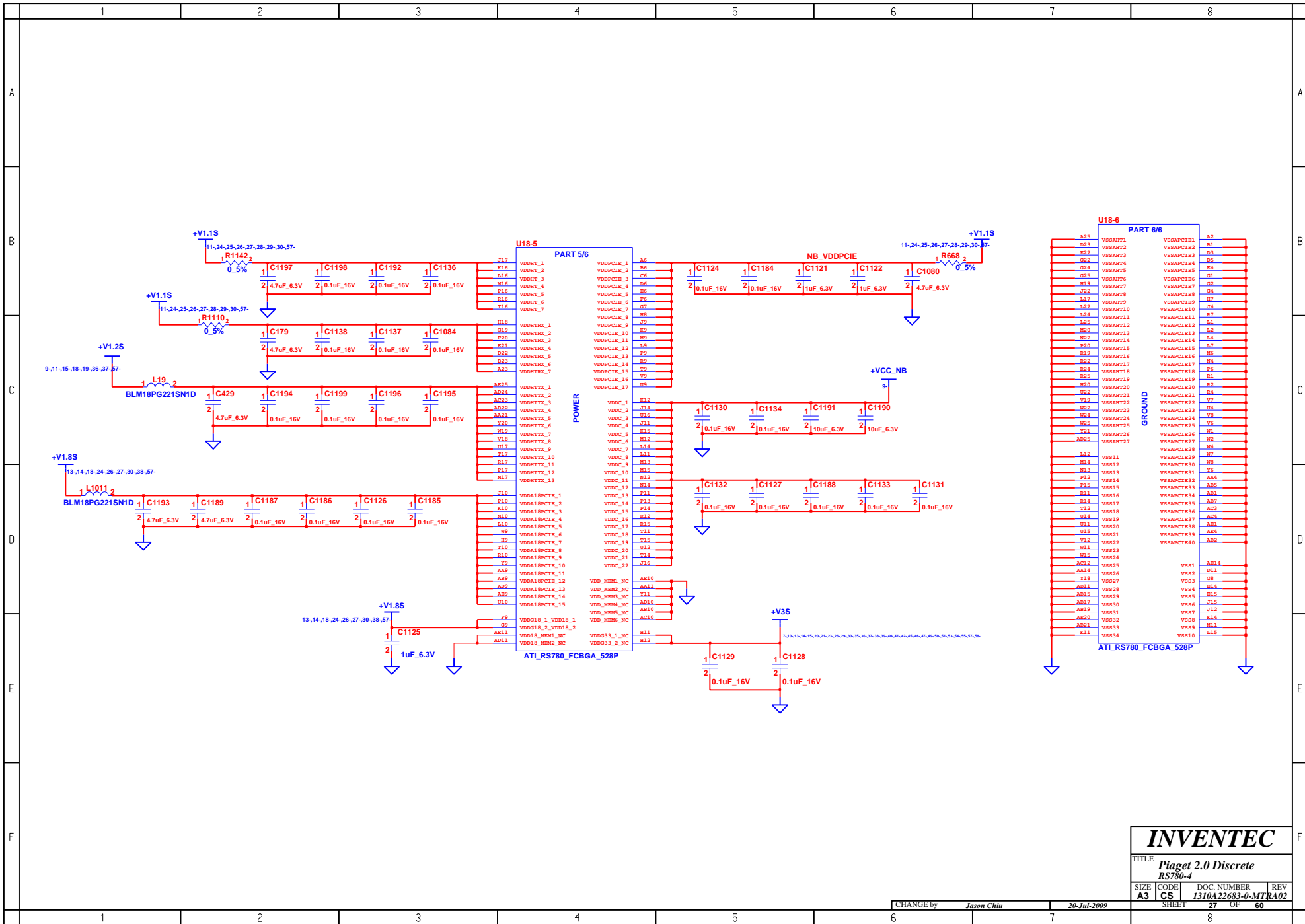
SHEET 25 OF 80

20-Jul-2009

CHANGE by Jason Chiu



INVENTEC			
TITLE Piaget 2.0 Discrete RS780-3			
SIZE A3	CODE CS	DOC. NUMBER 1310A2263-0-MT	REV A02
CHANGE by <i>Jason Chiu</i>		20-Jul-2009	
SHEET 26		OF 80	



INVENTEC

TITLE
**Piaget 2.0 Discrete
 RS780-4**

SIZE	CODE	DOC. NUMBER	REV
A3	CS	1310A22633-0-MT	RA02

CHANGE by Jason Chiu 20-Jul-2009

SHEET	OF
27	80

STRAPS	PIN	Description of default settings	
TX_PWRS_ENB	GPIO0	PCIe 50% TX output swing.	1
TX_DEEMPH_EN	GPIO1	PCIe transmitter de-emphasis disabled.	0
BIF_DEBUG_ACCESS	GPIO4	Debug signals muxed out.	0
ROMIDCFG(0:3)	GPIO[11:13,9]	Memory aperture type	X X X X

X = DESIGN DEPENDANT
 0 = DO NOT INSTALL RESISTOR
 1 = INSTALL 10K RESISTOR

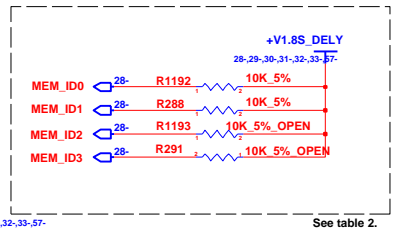
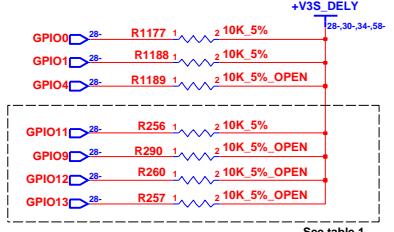
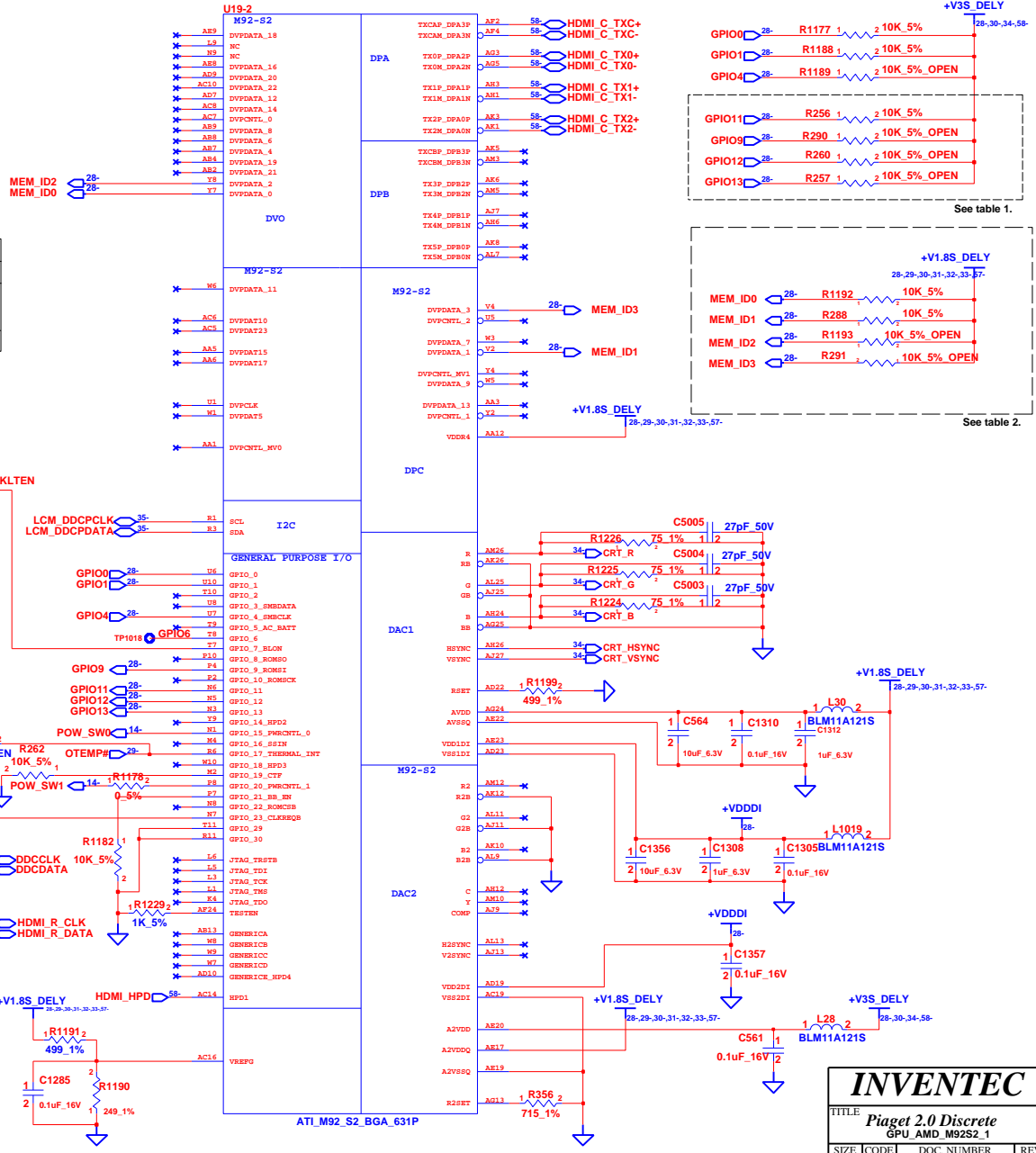
Table 1

GPIO_13	GPIO_12	GPIO_11	For DIS-GDDR2
0	0	1	(512/256M) memory aperture (Default)
1	1	0	reserved

POW_SW1	POW_SW0	+VDD_CORE
0	0	0.85V
0	1	0.9V
1	0	0.95V
1	1	1.0V

Table 2

For DIS-GDDR2				
MEM_ID3	MEM_ID2	MEM_ID1	MEM_ID0	vendor
0	0	1	1	hynix (512MB)
0	0	1	0	Qimonda(512M)
0	0	0	1	Samsung(512MB) (Default)

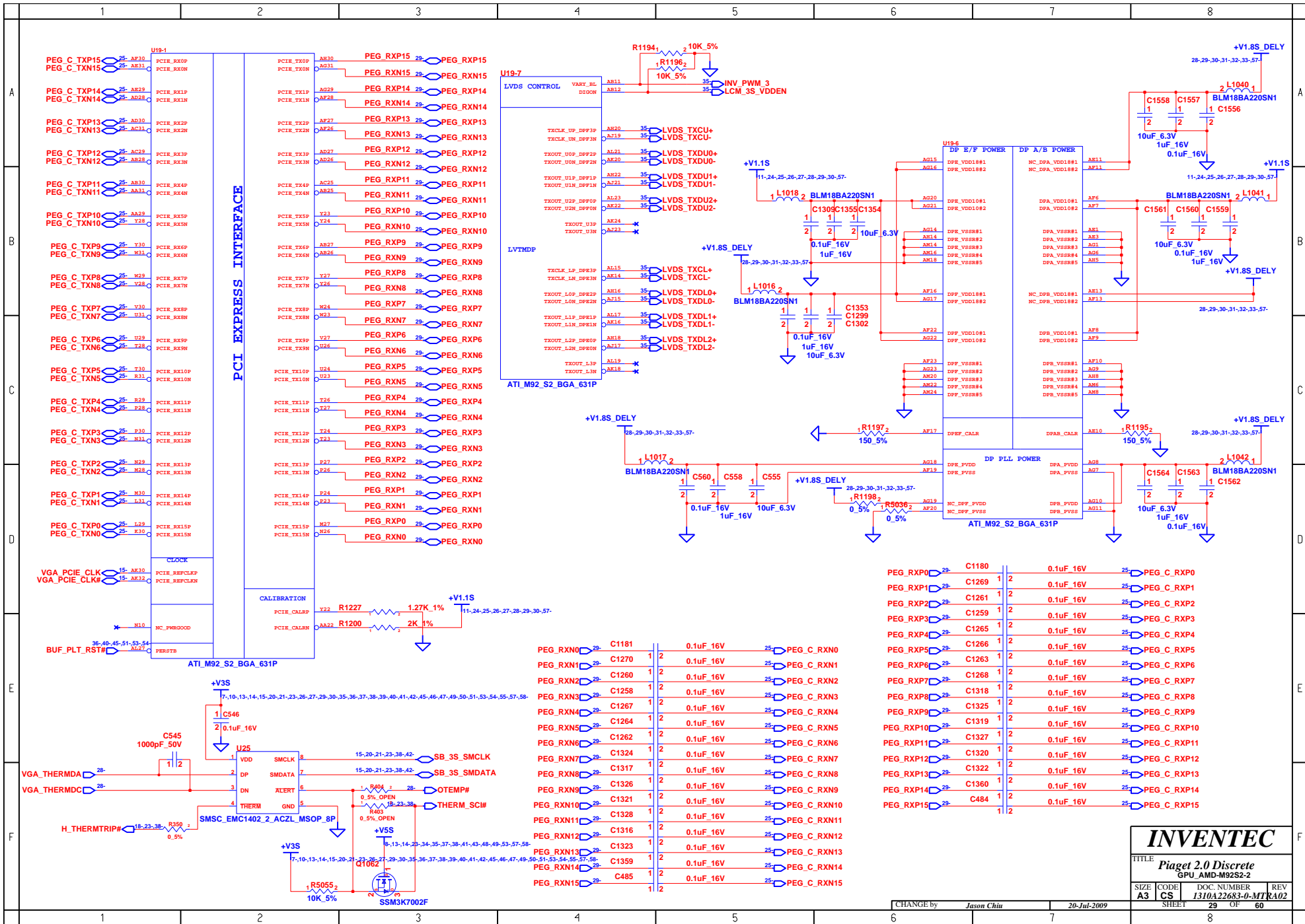


INVENTEC

TITLE: **Piaget 2.0 Discrete GPU_AMD_M92S2_1**

SIZE	CODE	DOC NUMBER	REV
A3	CS	1310A22683-0-MTR	A02

SHEET 28 OF 80



Component	Value	Pin	Component	Value	Pin
PEG_RXP0	C1180	1	0.1uF_16V	25	PEG_C_RXP0
PEG_RXP1	C1269	1	0.1uF_16V	25	PEG_C_RXP1
PEG_RXP2	C1261	1	0.1uF_16V	25	PEG_C_RXP2
PEG_RXP3	C1259	1	0.1uF_16V	25	PEG_C_RXP3
PEG_RXP4	C1265	1	0.1uF_16V	25	PEG_C_RXP4
PEG_RXP5	C1266	1	0.1uF_16V	25	PEG_C_RXP5
PEG_RXP6	C1263	1	0.1uF_16V	25	PEG_C_RXP6
PEG_RXP7	C1268	1	0.1uF_16V	25	PEG_C_RXP7
PEG_RXP8	C1318	1	0.1uF_16V	25	PEG_C_RXP8
PEG_RXP9	C1325	1	0.1uF_16V	25	PEG_C_RXP9
PEG_RXP10	C1319	1	0.1uF_16V	25	PEG_C_RXP10
PEG_RXP11	C1327	1	0.1uF_16V	25	PEG_C_RXP11
PEG_RXP12	C1320	1	0.1uF_16V	25	PEG_C_RXP12
PEG_RXP13	C1322	1	0.1uF_16V	25	PEG_C_RXP13
PEG_RXP14	C1360	1	0.1uF_16V	25	PEG_C_RXP14
PEG_RXP15	C484	1	0.1uF_16V	25	PEG_C_RXP15
PEG_RXN0	C1181	1	0.1uF_16V	25	PEG_C_RXN0
PEG_RXN1	C1270	1	0.1uF_16V	25	PEG_C_RXN1
PEG_RXN2	C1260	1	0.1uF_16V	25	PEG_C_RXN2
PEG_RXN3	C1258	1	0.1uF_16V	25	PEG_C_RXN3
PEG_RXN4	C1267	1	0.1uF_16V	25	PEG_C_RXN4
PEG_RXN5	C1264	1	0.1uF_16V	25	PEG_C_RXN5
PEG_RXN6	C1262	1	0.1uF_16V	25	PEG_C_RXN6
PEG_RXN7	C1324	1	0.1uF_16V	25	PEG_C_RXN7
PEG_RXN8	C1317	1	0.1uF_16V	25	PEG_C_RXN8
PEG_RXN9	C1326	1	0.1uF_16V	25	PEG_C_RXN9
PEG_RXN10	C1321	1	0.1uF_16V	25	PEG_C_RXN10
PEG_RXN11	C1328	1	0.1uF_16V	25	PEG_C_RXN11
PEG_RXN12	C1316	1	0.1uF_16V	25	PEG_C_RXN12
PEG_RXN13	C1323	1	0.1uF_16V	25	PEG_C_RXN13
PEG_RXN14	C1359	1	0.1uF_16V	25	PEG_C_RXN14
PEG_RXN15	C485	1	0.1uF_16V	25	PEG_C_RXN15

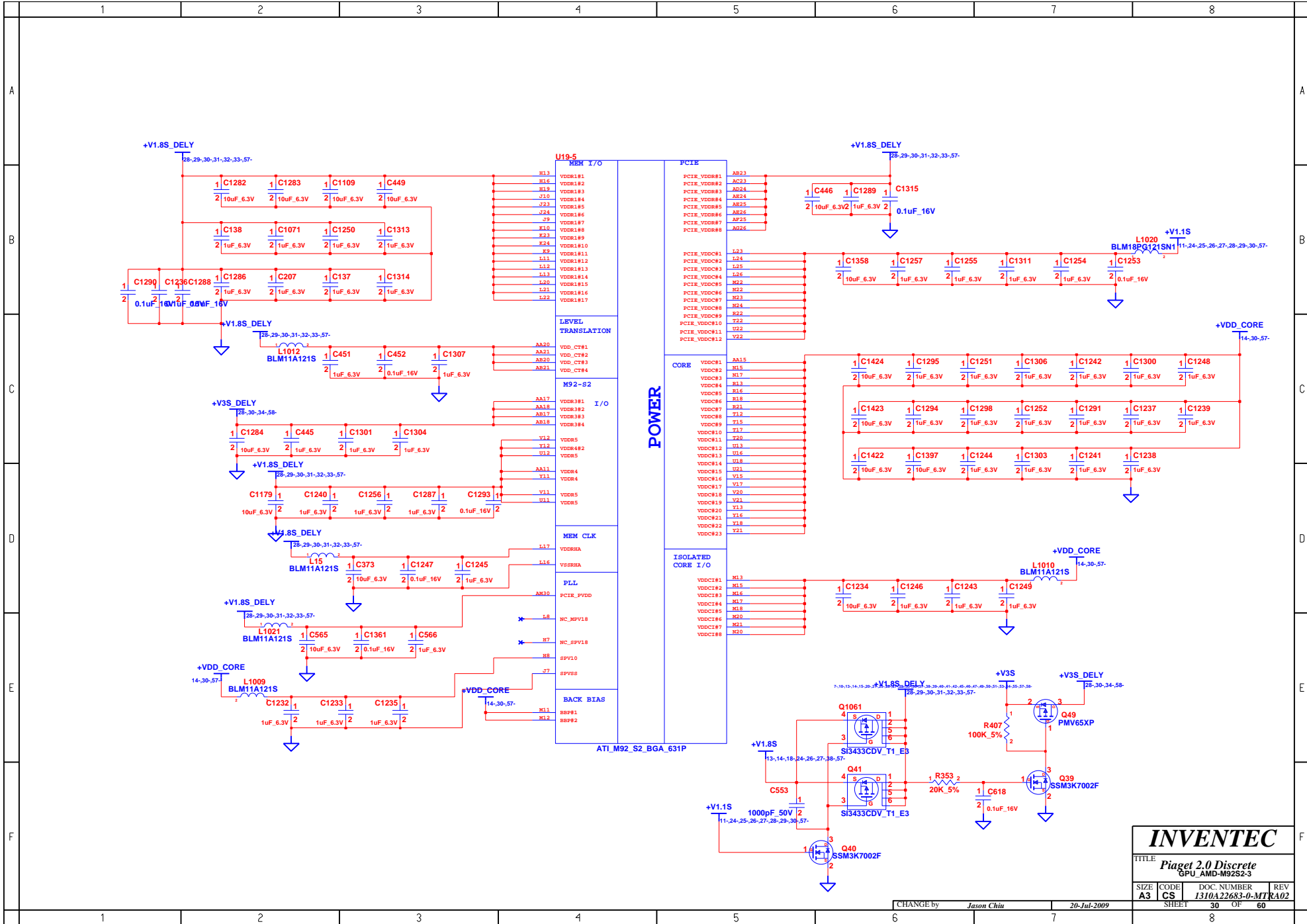
INVENTEC

TITLE: **Piaget 2.0 Discrete GPU_AMD-M92S2-2**

SIZE: A3 CODE: CS DOC. NUMBER: 1310A2263-0-MTR402 REV: R102

CHANGE by: Jason Chiu 20-Jul-2009

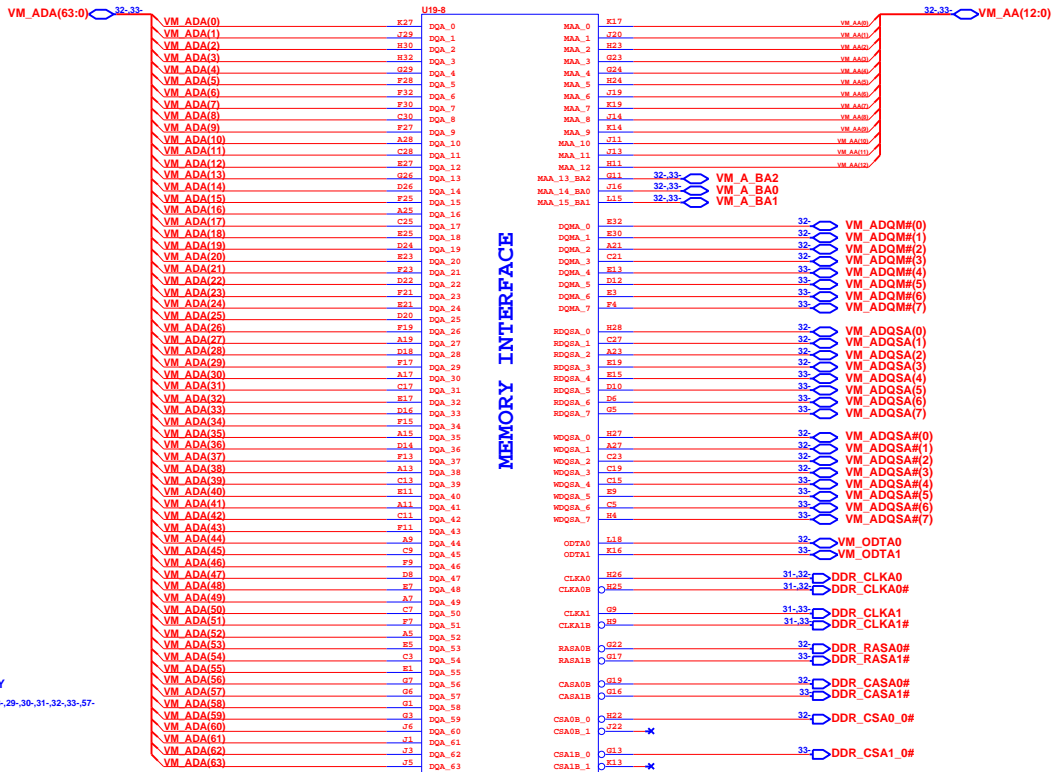
SHEET: 29 OF 80



INVENTEC			
TITLE Piaget 2.0 Discrete GPU_AMD-M92S2-3			
SIZE	CODE	DOC. NUMBER	REV
A3	CS	I310A2263-0-MT	R02
SHEET		30	OF 60

1 2 3 4 5 6 7 8

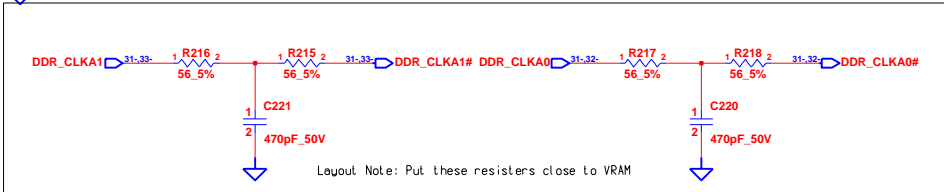
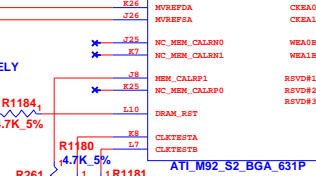
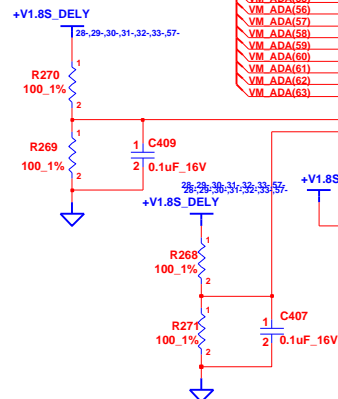
A B C D E F



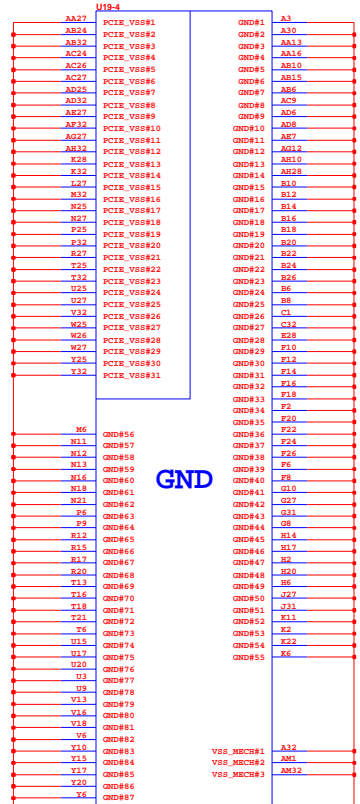
MEMORY INTERFACE

GND

ATI_M92_S2_BGA_631P



Layout Note: Put these resistors close to VRAM



INVENTEC

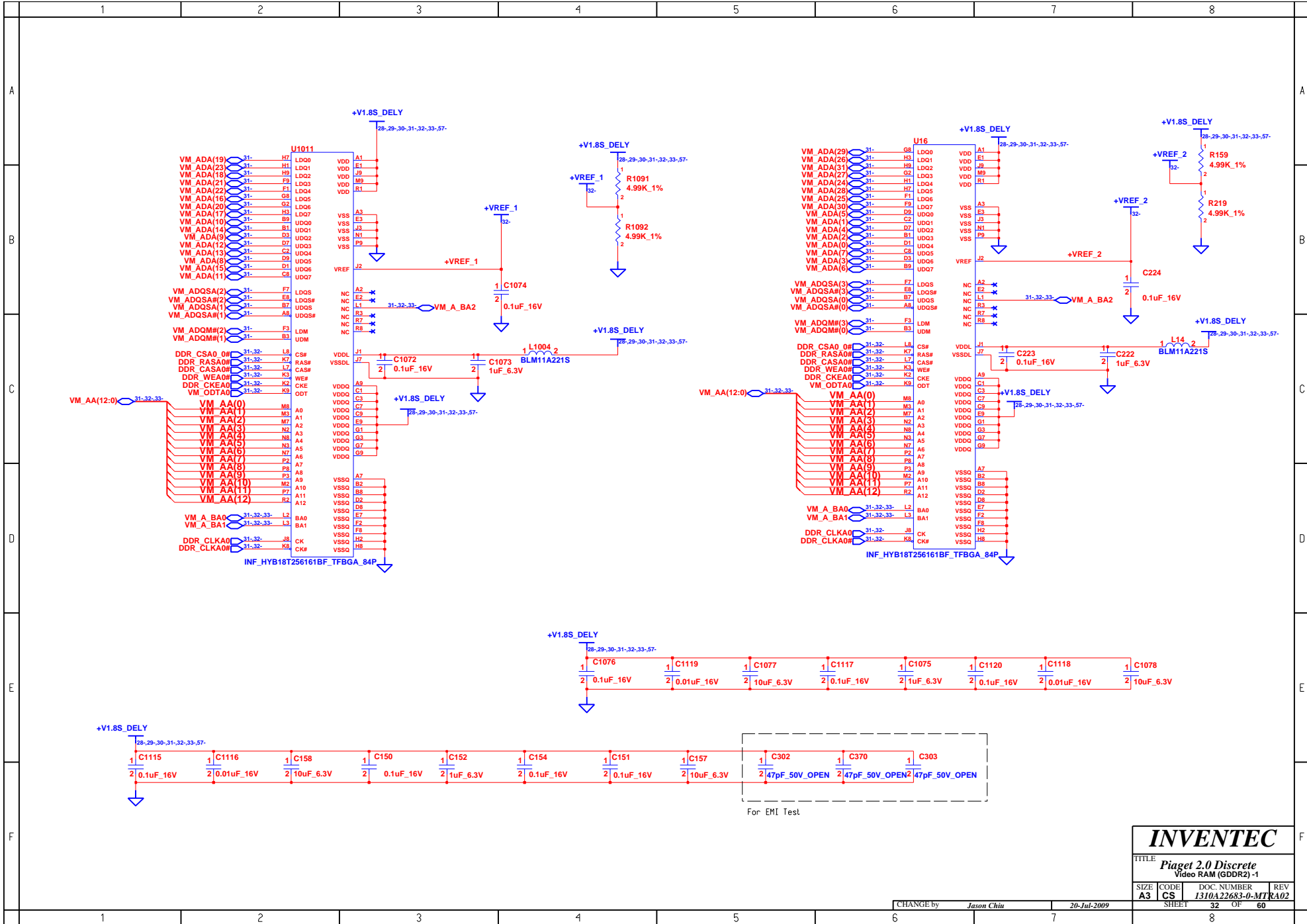
TITLE: Piaget 2.0 Discrete GPU_AMD-M92S2-4

SIZE	CODE	DOC. NUMBER	REV
A3	CS	I310A22683-0-MT	A02

CHANGE by Jason Chiu 20-Jul-2009

SHEET 31 OF 60

1 2 3 4 5 6 7 8



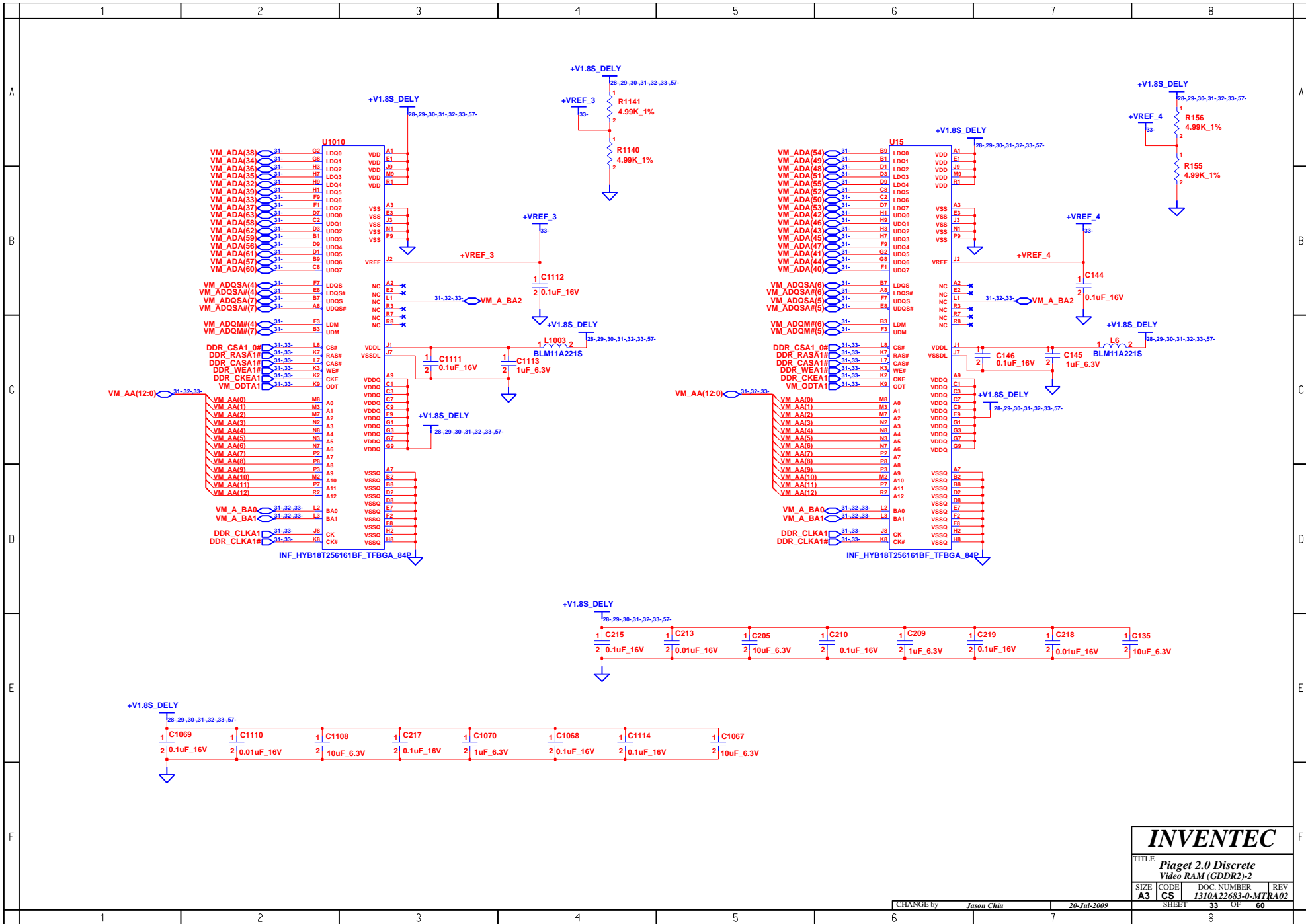
INVENTEC

TITLE: **Piaget 2.0 Discrete**
Video RAM (GDDR2) -1

SIZE	CODE	DOC. NUMBER	REV
A3	CS	1310A22683-0-MT	KA02

CHANGE by: *Jason Chiu* 20-Jul-2009

SHEET 32 OF 80



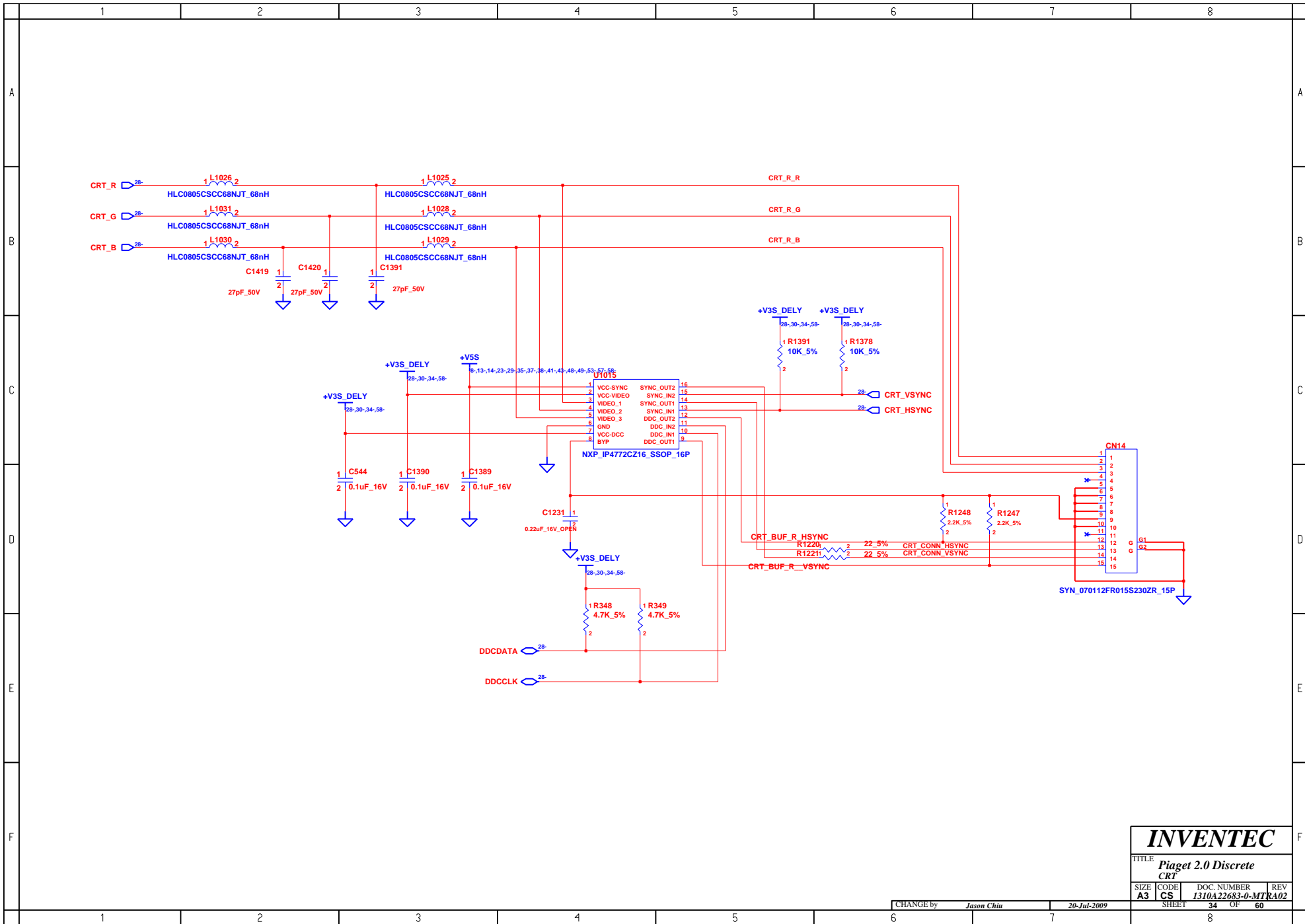
INVENTEC

TITLE
**Piaget 2.0 Discrete
 Video RAM (GDDR2)-2**

SIZE CODE DOC NUMBER REV
A3 CS 1310A22683-0-MT RA02

CHANGE by *Jason Chiu* 20-Jul-2009

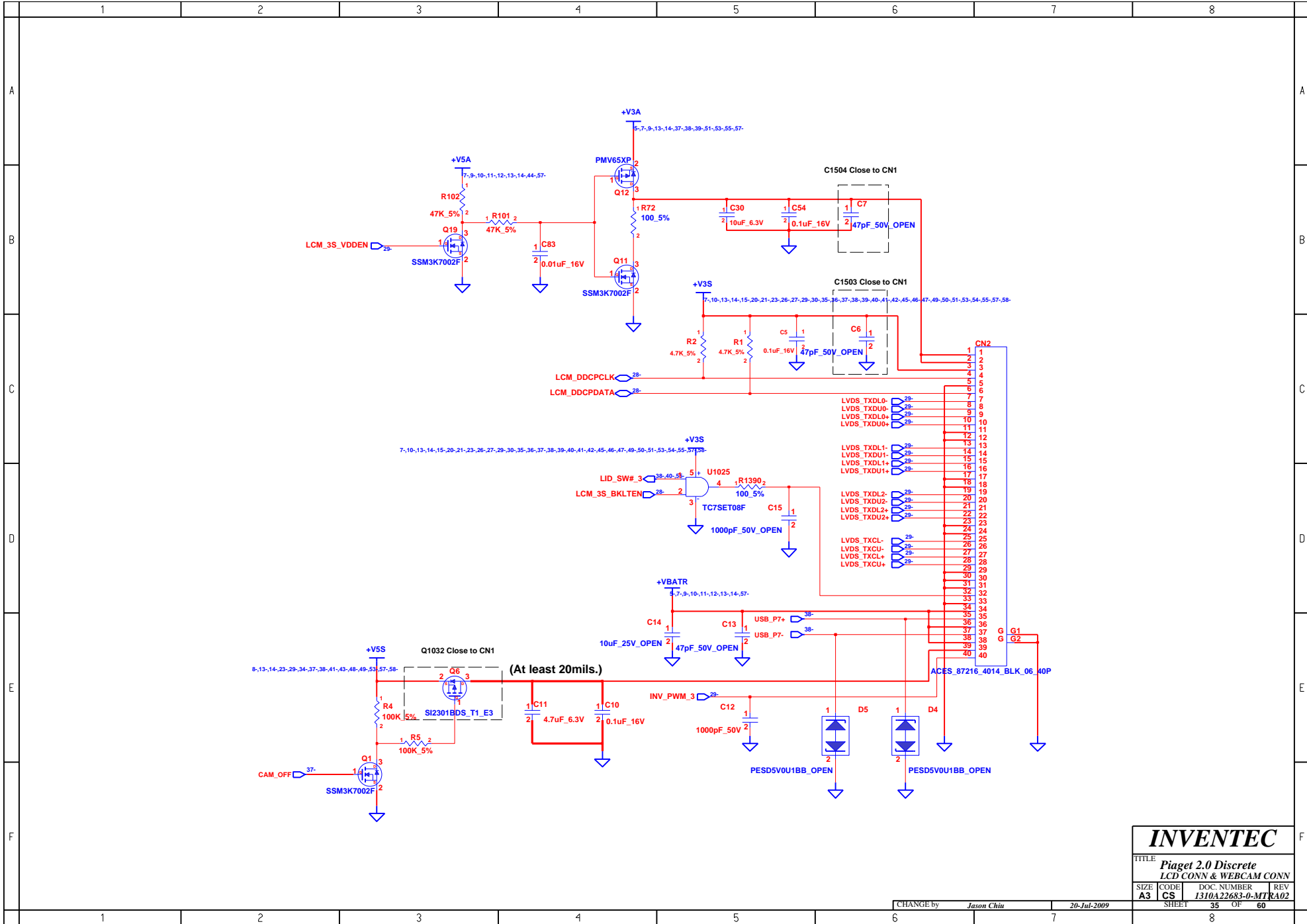
SHEET 33 OF 60



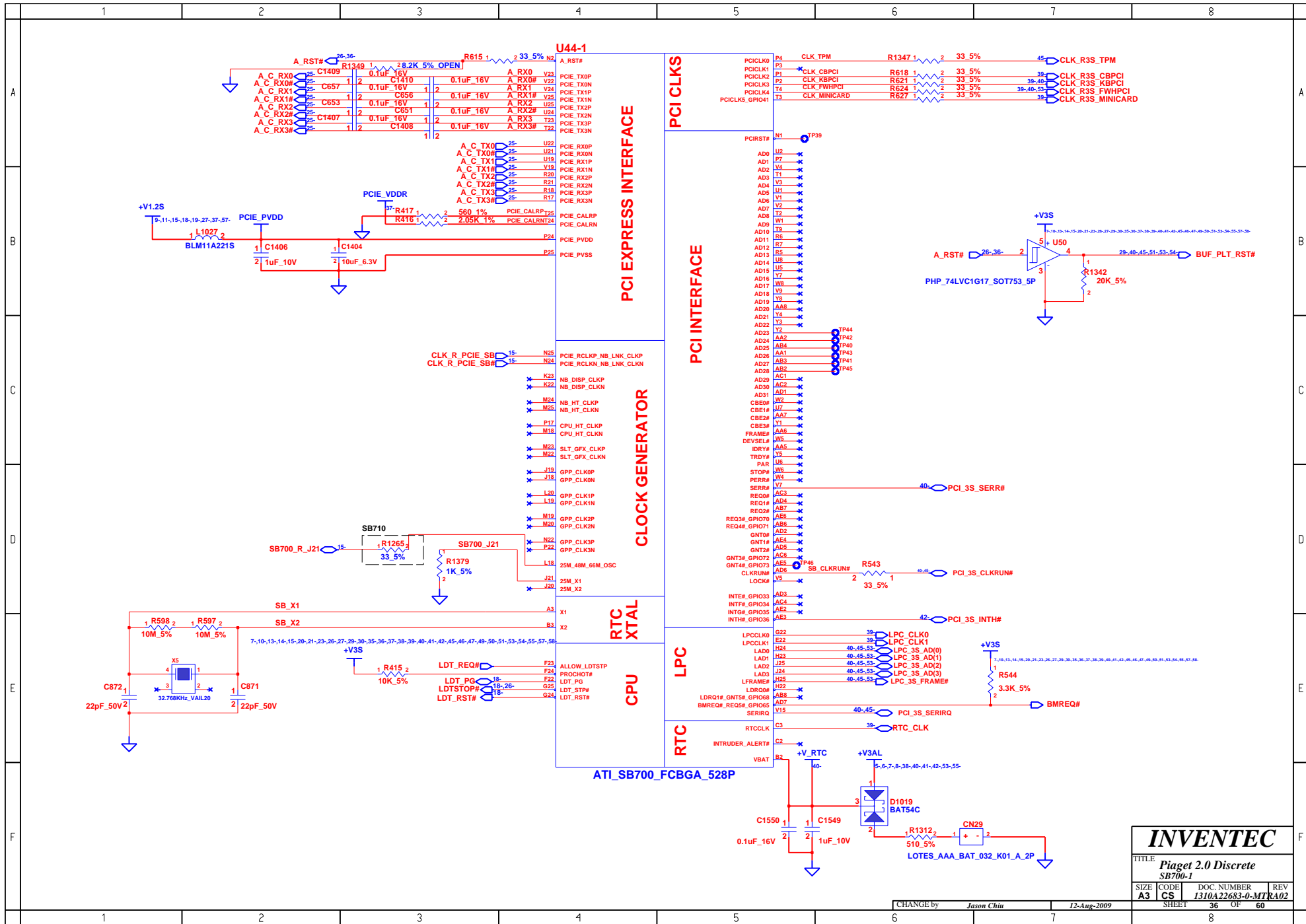
INVENTEC

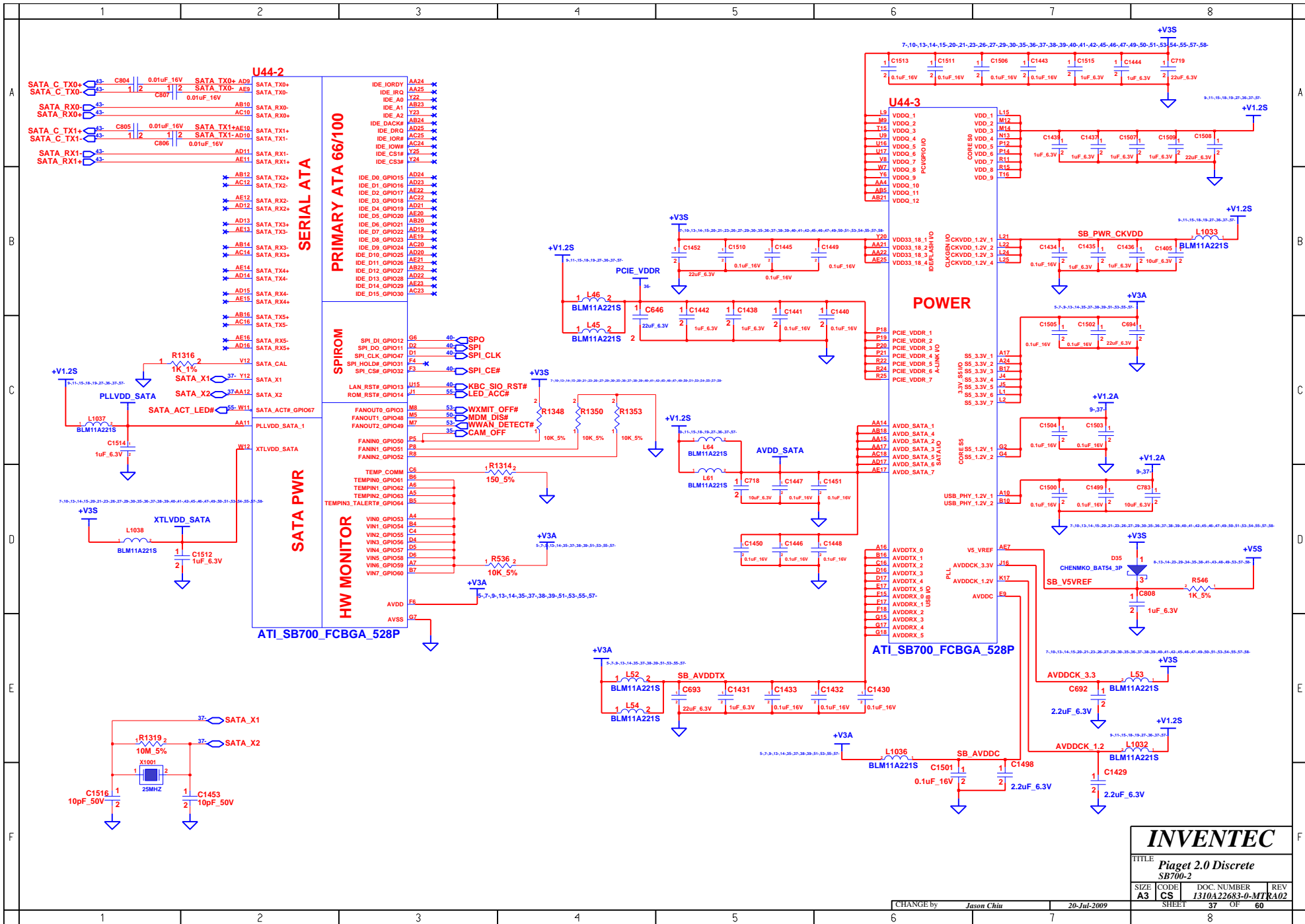
TITLE
**Piaget 2.0 Discrete
 CRT**

SIZE A3	CODE CS	DOC. NUMBER 1310A22683-0-MT	REV KA02
-------------------	-------------------	---------------------------------------	--------------------

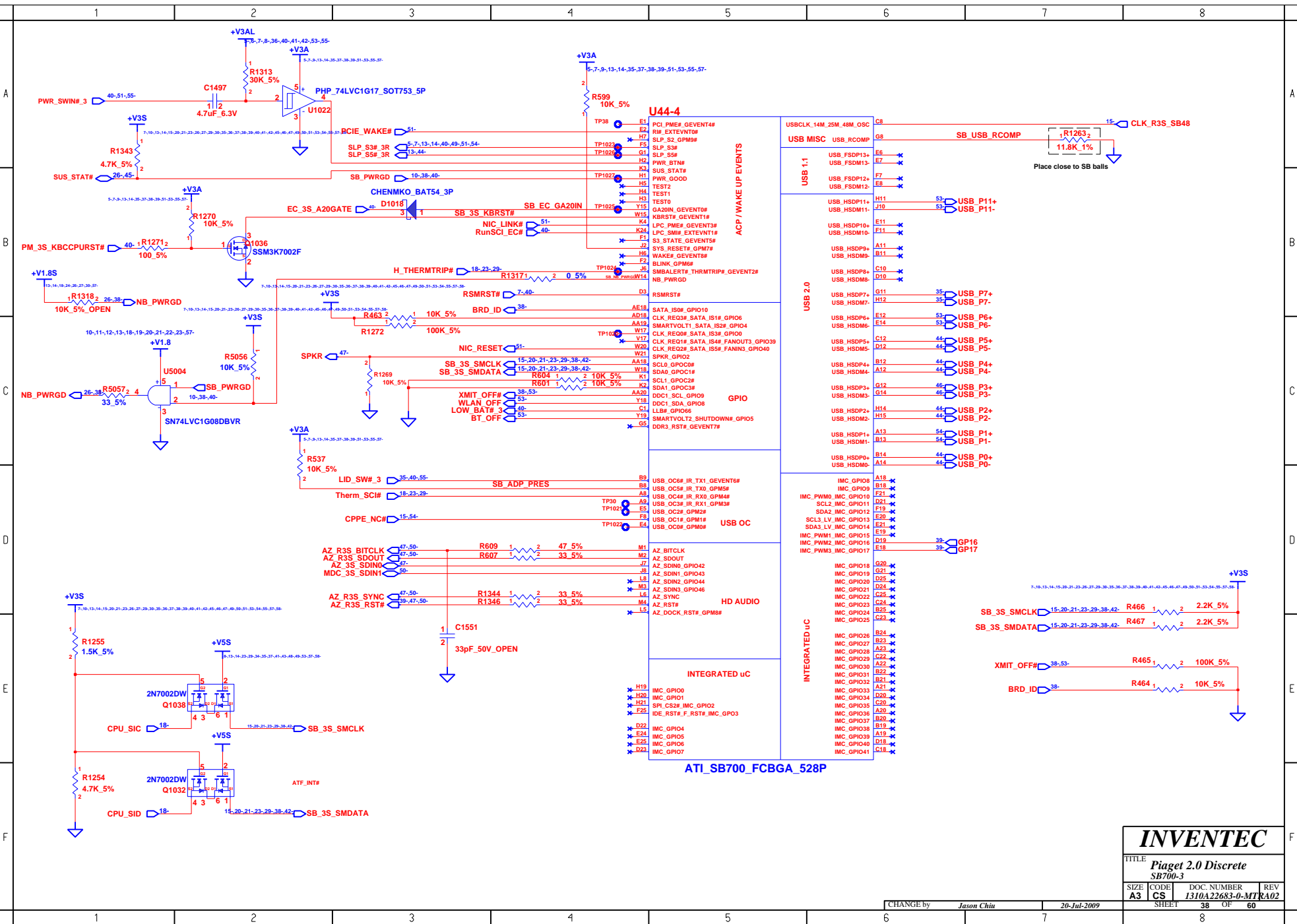


INVENTEC			
TITLE Piaget 2.0 Discrete LCD CONN & WEBCAM CONN			
SIZE A3	CODE CS	DOC NUMBER I310A22683-0-MT	REV RA02
CHANGE by <i>Jason Chiu</i>		20-Jul-2009	
SHEET		35 OF 60	



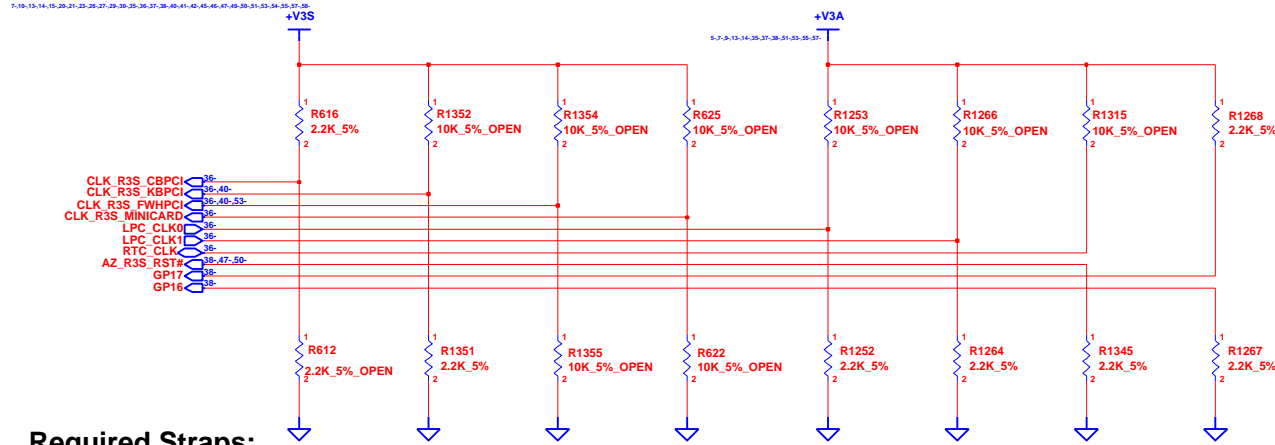


INVENTEC			
TITLE Piaget 2.0 Discrete SB700-2			
SIZE A3	CODE CS	DOC. NUMBER I310A2263-0-MTR	REV A02
CHANGE by <i>Jason Chiu</i>		20-Jul-2009	
SHEET 37		OF 80	



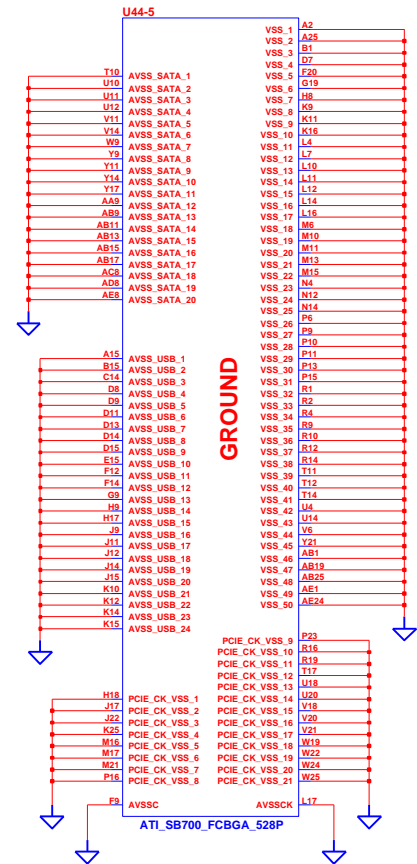
INVENTEC

TITLE
Piaget 2.0 Discrete
SB700-3
 SIZE CODE CS DOC. NUMBER 1310A2263-0-MT1K02 REV



Required Straps:

	CLK_R3S_CBPCI	CLK_R3S_KBPCI	CLK_R3S_FWHPCI	CLK_R3S_MINICARD	LPC_CLK0	LPC_CLK1	RTC_CLK	AZ_RST#	GP17	GP16
PULL HIGH	BOOTFAIL TIMER ENABLED	USE DEBUG STRAPS	RESERVED	RESERVED	ENABLE PCI MEM BOOT	CLKGEN ENABLED	INTERNAL RTC DEFAULT	EC ENABLED	ROM TYPE H, H = Reserved H, L = SPI ROM	
PULL LOW	BOOTFAIL TIMER DISABLED DEFAULT	IGNORE DEBUG STRAPS DEFAULT			DISABLE PCI MEM BOOT DEFAULT	CLKGEN DISABLED DEFAULT	EXT. RTC (PD on X1, apply 32KHz to RTC_CLK)	EC DISABLED DEFAULT	L, H = LPC ROM L, L = FWH ROM	

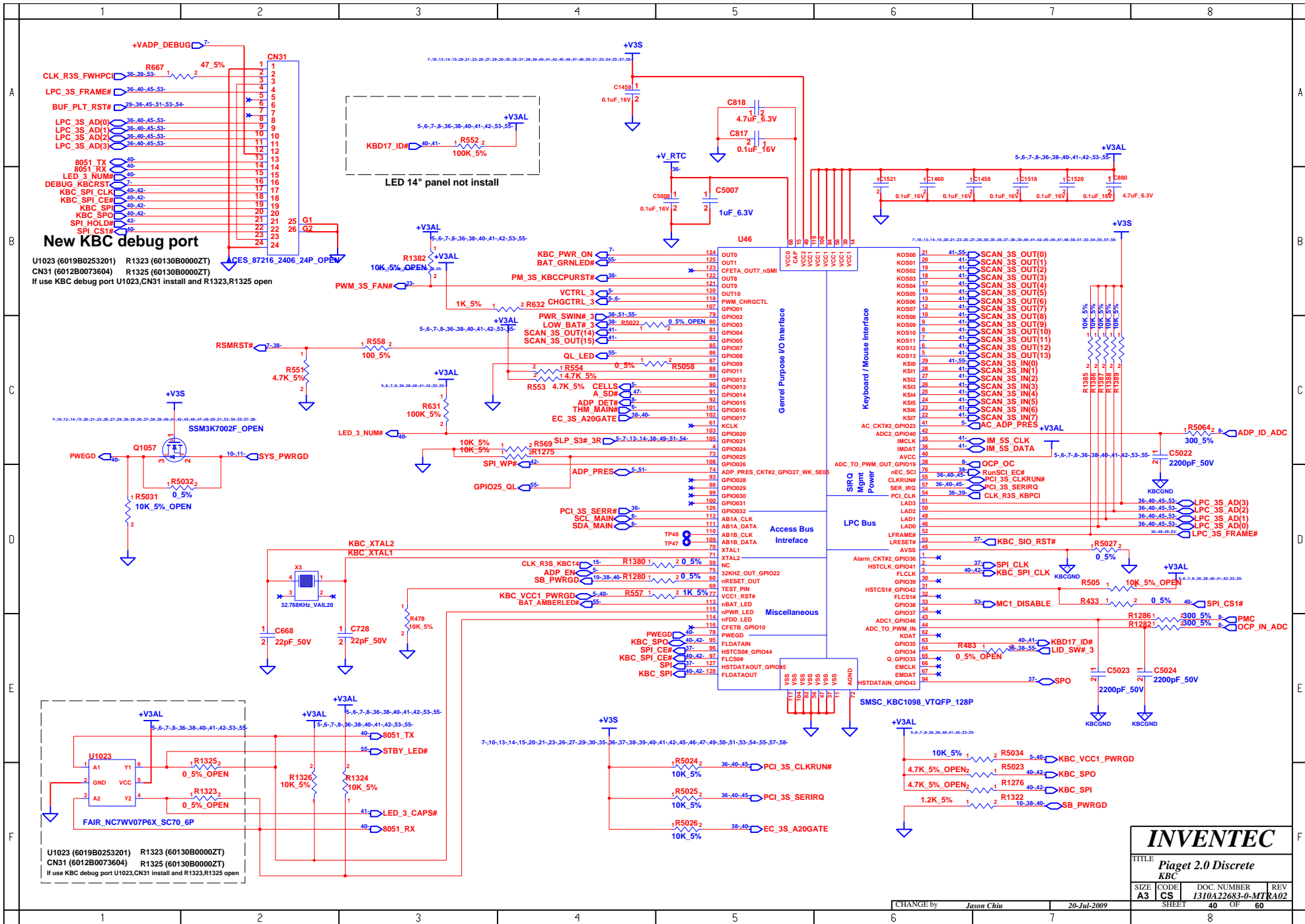


INVENTEC

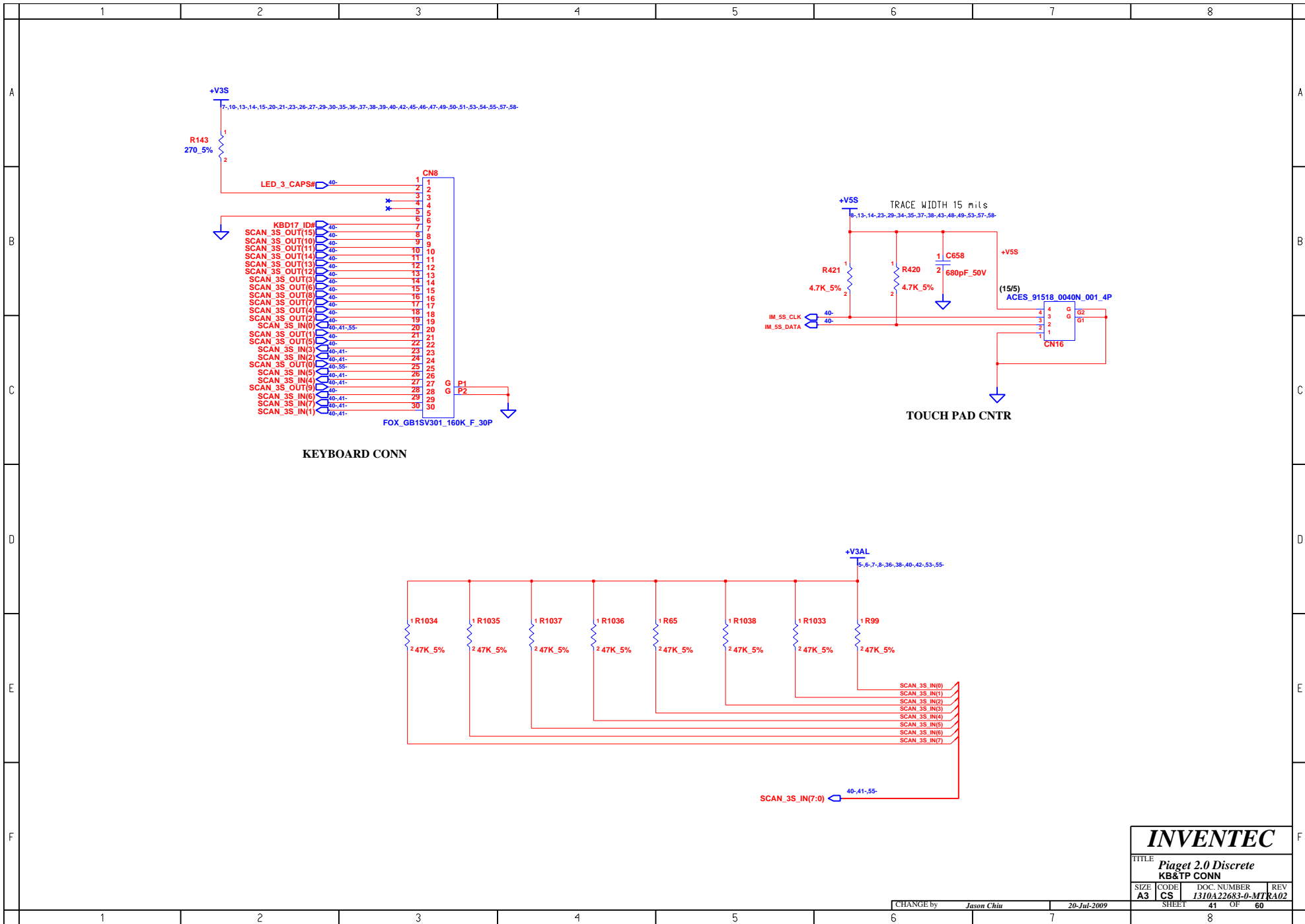
TITLE
*Piaget 2.0 Discrete
SB700-4*

SIZE	CODE	DOC. NUMBER	REV
A3	CS	1310A2263-0-MT	A02

CHANGE by *Jason Chiu* 20-Jul-2009 SHEET 39 OF 60



INVENTEC			
TITLE Piaget 2.0 Discrete KBC			
SIZE A3	CODE CS	DOC. NUMBER I310A2263-0-MTR402	REV 1
CHANGE by <i>Jason Chiu</i>		20-Jul-2009	
SHEET 40		OF 60	

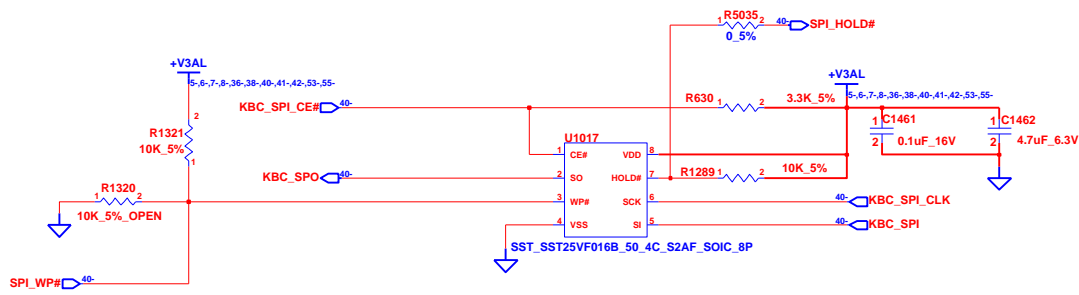


INVENTEC

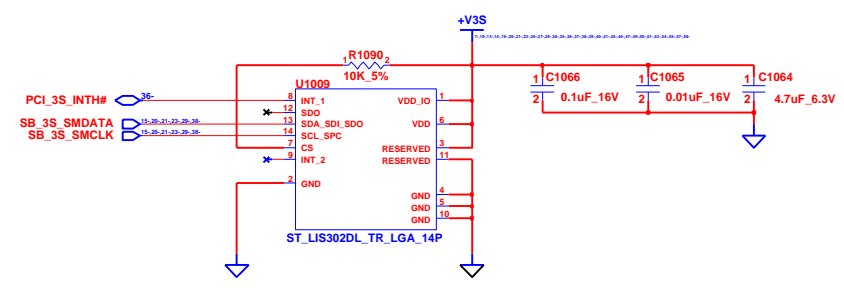
TITLE
**Piaget 2.0 Discrete
KB&TP CONN**

SIZE A3	CODE CS	DOC. NUMBER 1310A22683-0-MTR	REV A02
-------------------	-------------------	--	-------------------

CHANGE by <i>Jason Chiu</i>	20-Jul-2009	SHEET 41	OF 60
--------------------------------	-------------	-------------	----------

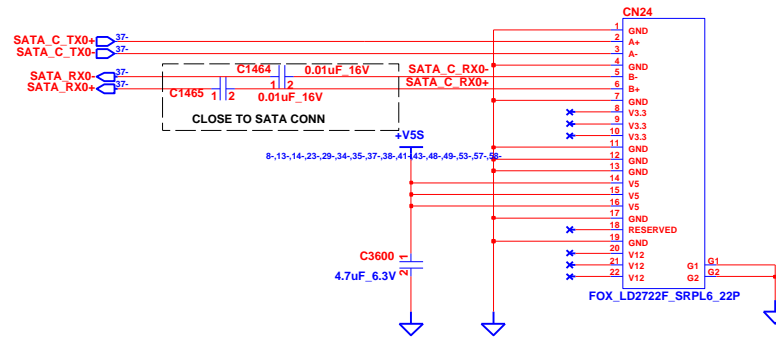


SPI Flash

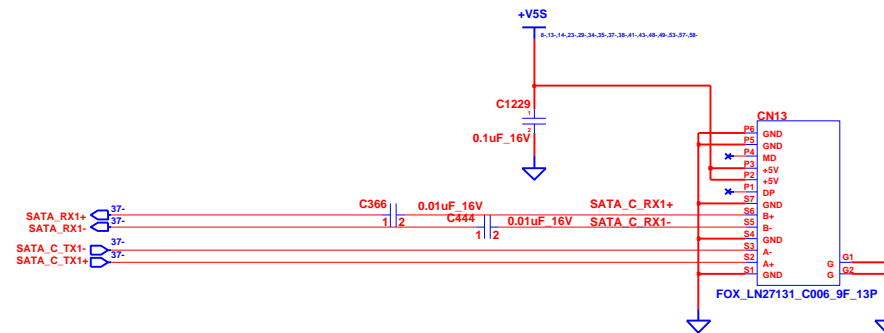


Accelerometer

INVENTEC			
TITLE Piaget 2.0 Discrete SPI & ACCELEROMETER			
SIZE A3	CODE CS	DOC. NUMBER 1310A22683-0-MT	REV R02
CHANGE by <i>Jason Chiu</i>		20-Jul-2009	
SHEET 42		OF 60	

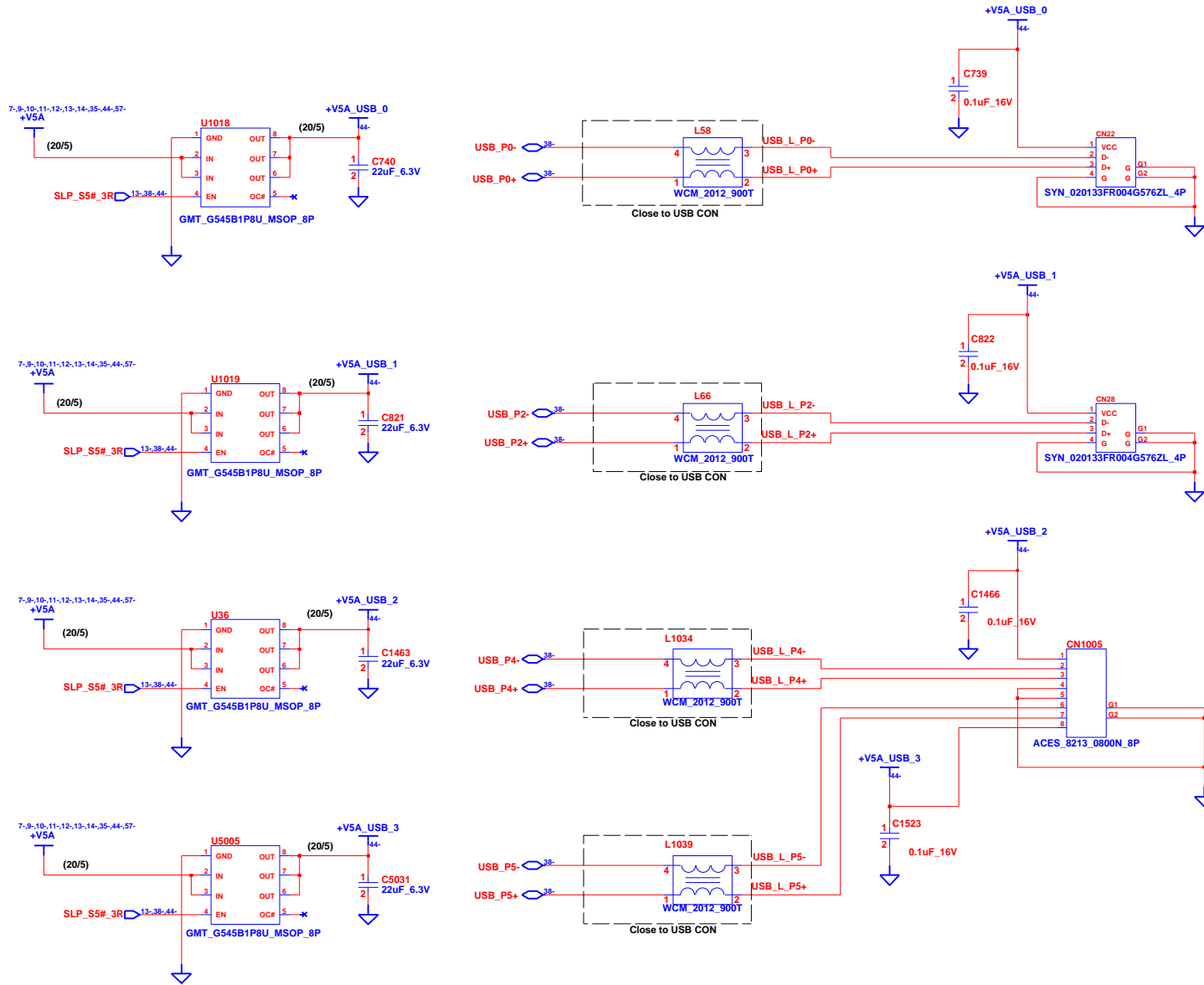


HDD CONNECTOR

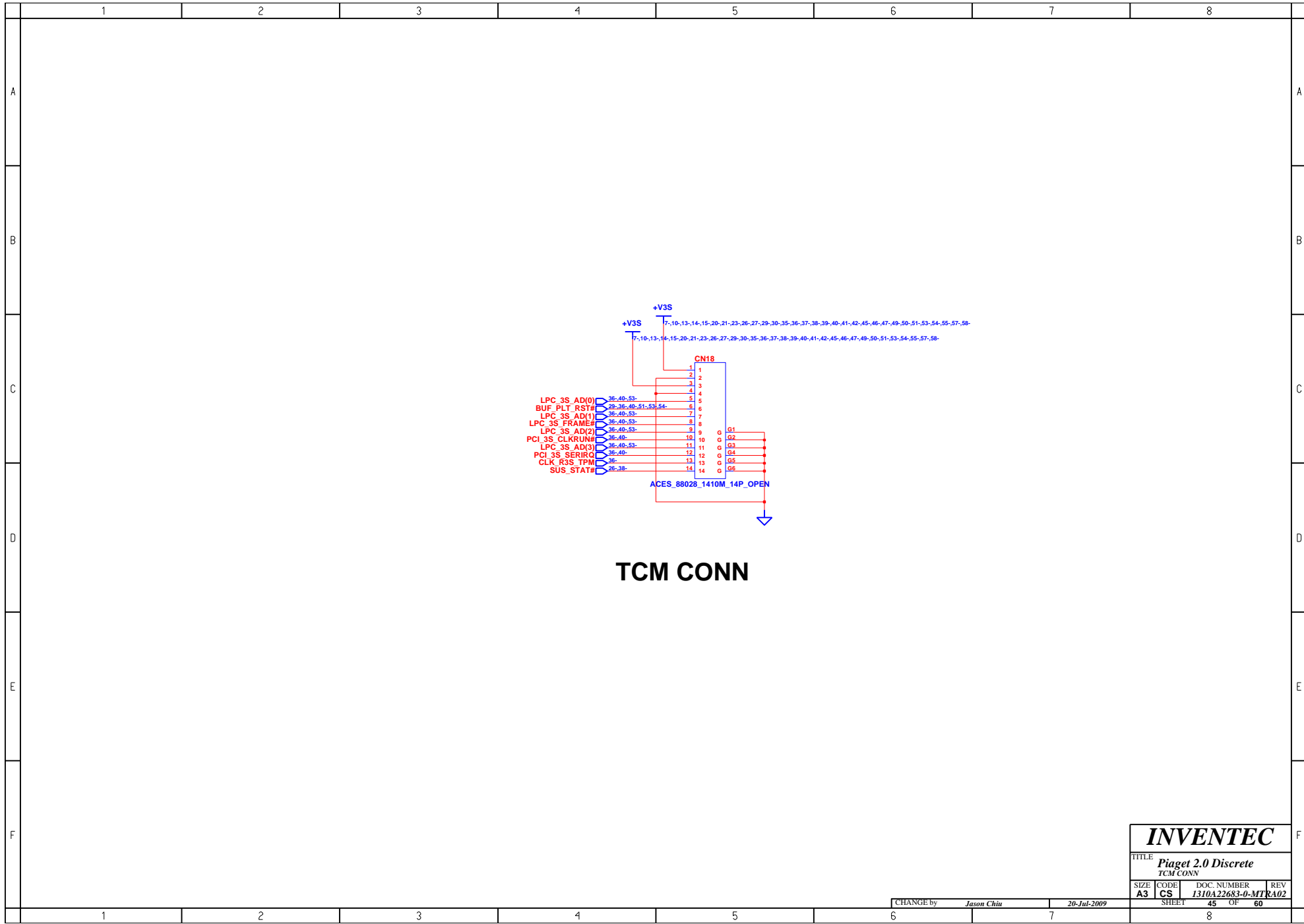


ODD SATA CONNECTOR

INVENTEC			
TITLE Piaget 2.0 Discrete HDD & ODD CONN			
SIZE A3	CODE CS	DOC. NUMBER 1310A22683-0-MT	REV KA02
CHANGE by <i>Jason Chiu</i>		20-Jul-2009	
SHEET 43		OF 60	

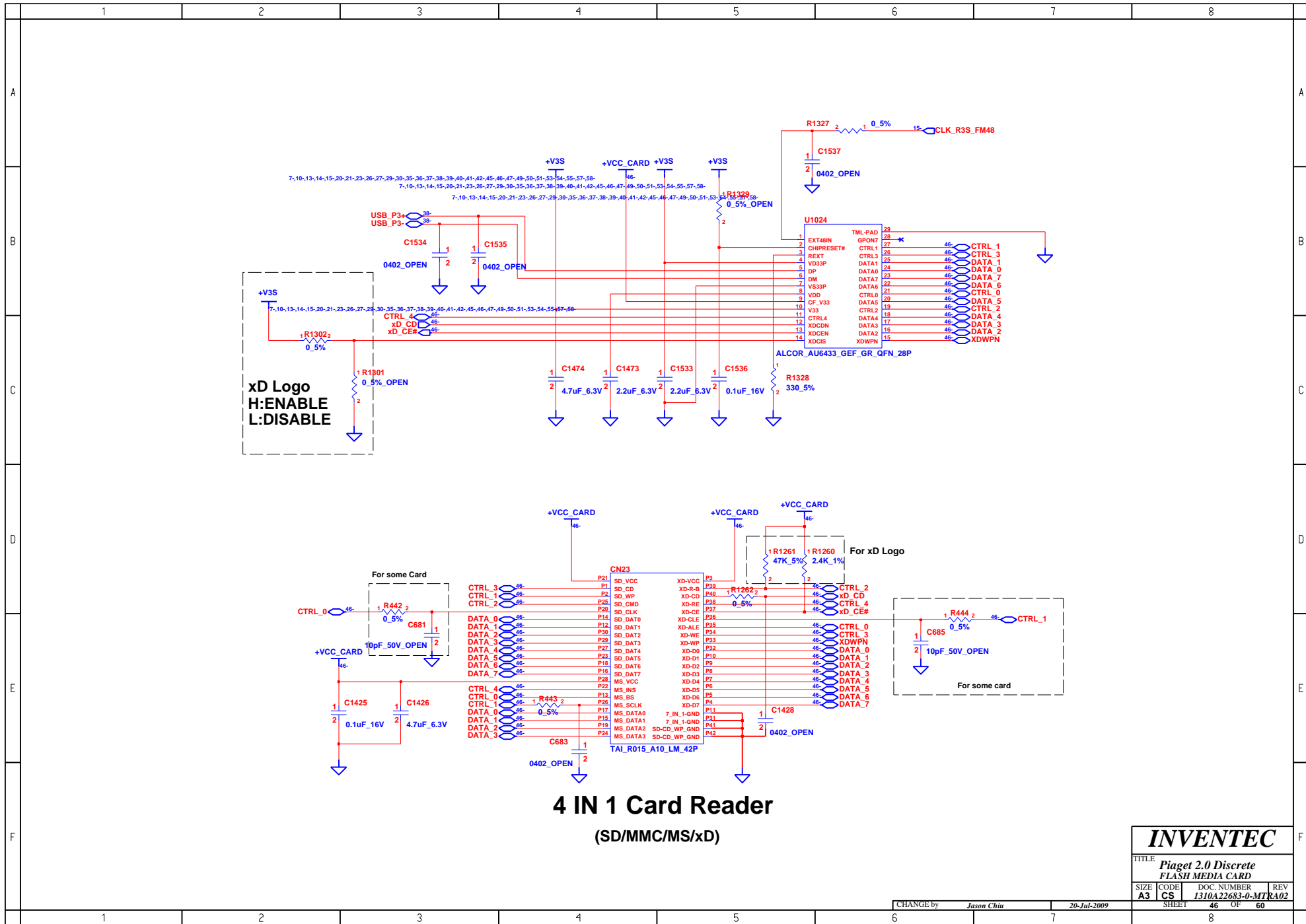


INVENTEC			
TITLE Piaget 2.0 Discrete USB CONN			
SIZE A3	CODE CS	DOC. NUMBER I310A22683-0-MT	REV R402
CHANGE by <i>Jason Chiu</i>		20-Jul-2009	
SHEET 44		OF 60	

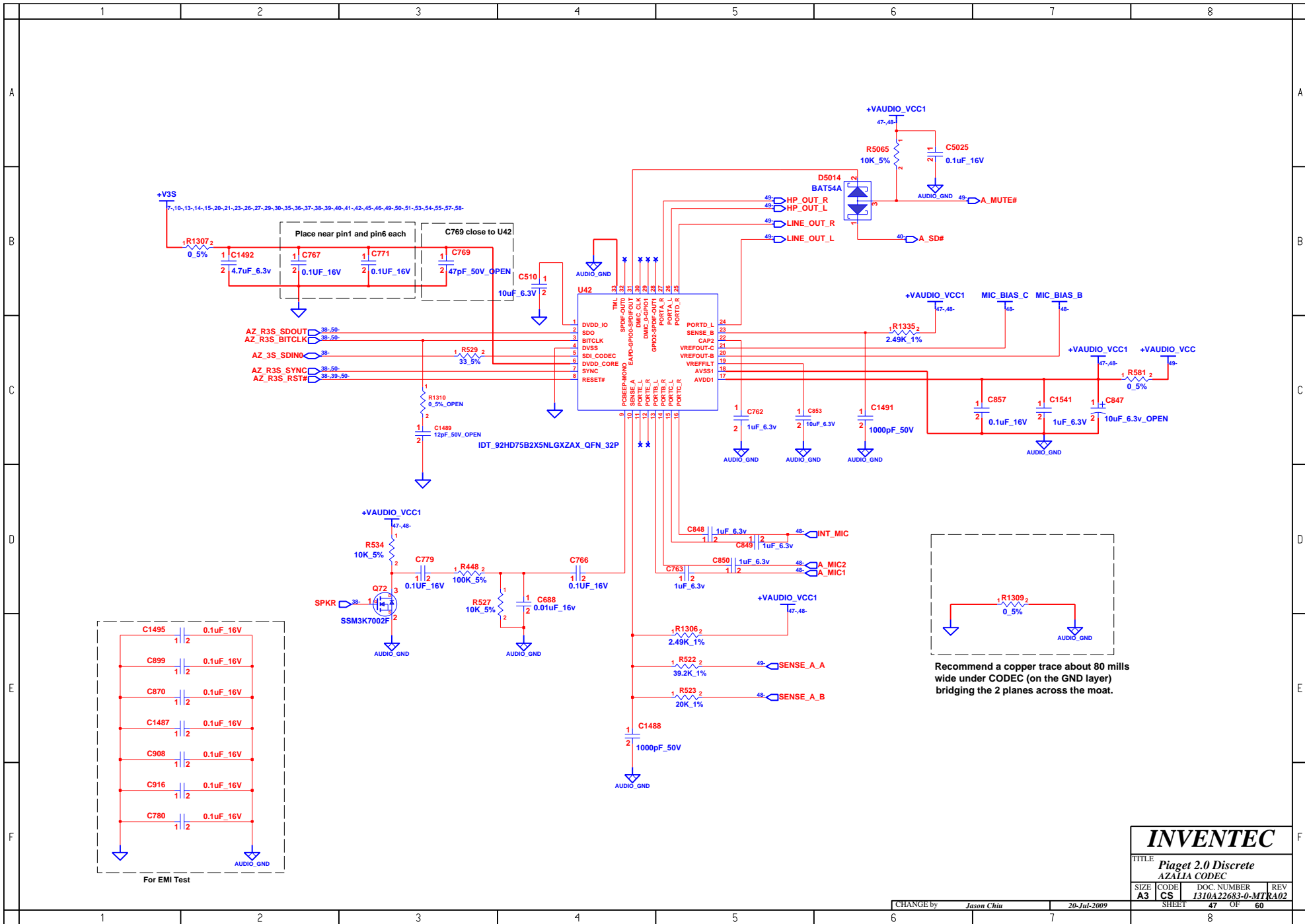


TCM CONN

INVENTEC			
TITLE <i>Piaget 2.0 Discrete</i>			
TCM CONN			
SIZE	CODE	DOC. NUMBER	REV
A3	CS	1310A22683-0-MT	KA02
CHANGE by <i>Jason Chiu</i>		20-Jul-2009	SHEET 45 OF 60



INVENTEC			
TITLE Piaget 2.0 Discrete FLASH MEDIA CARD			
SIZE A3	CODE CS	DOC. NUMBER I310A2263-0-MTR	REV A02
CHANGE by <i>Jason Chiu</i>		20-Jul-2009	
SHEET 46		OF 60	



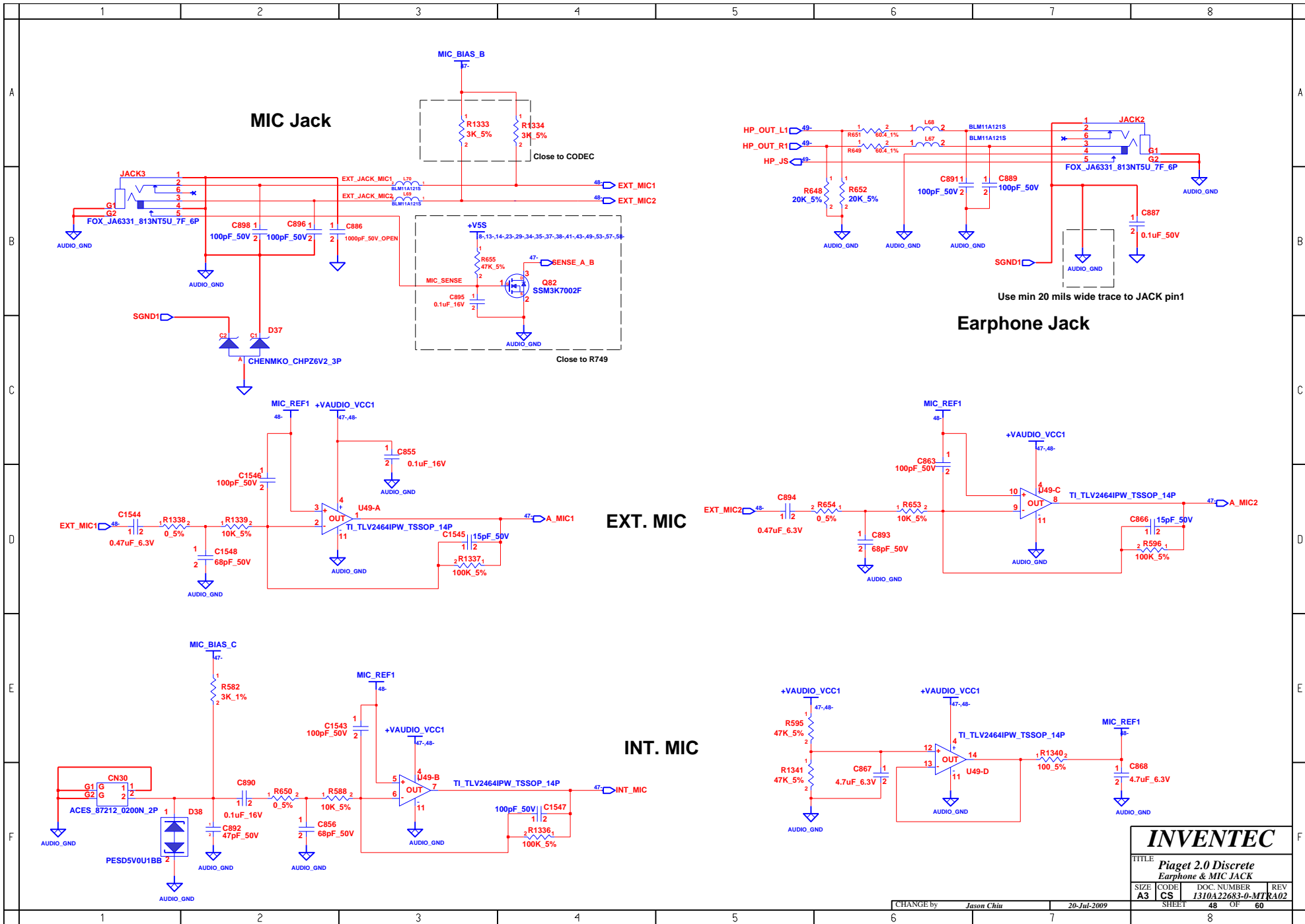
INVENTEC

TITLE
**Piaget 2.0 Discrete
 AZALIA CODEC**

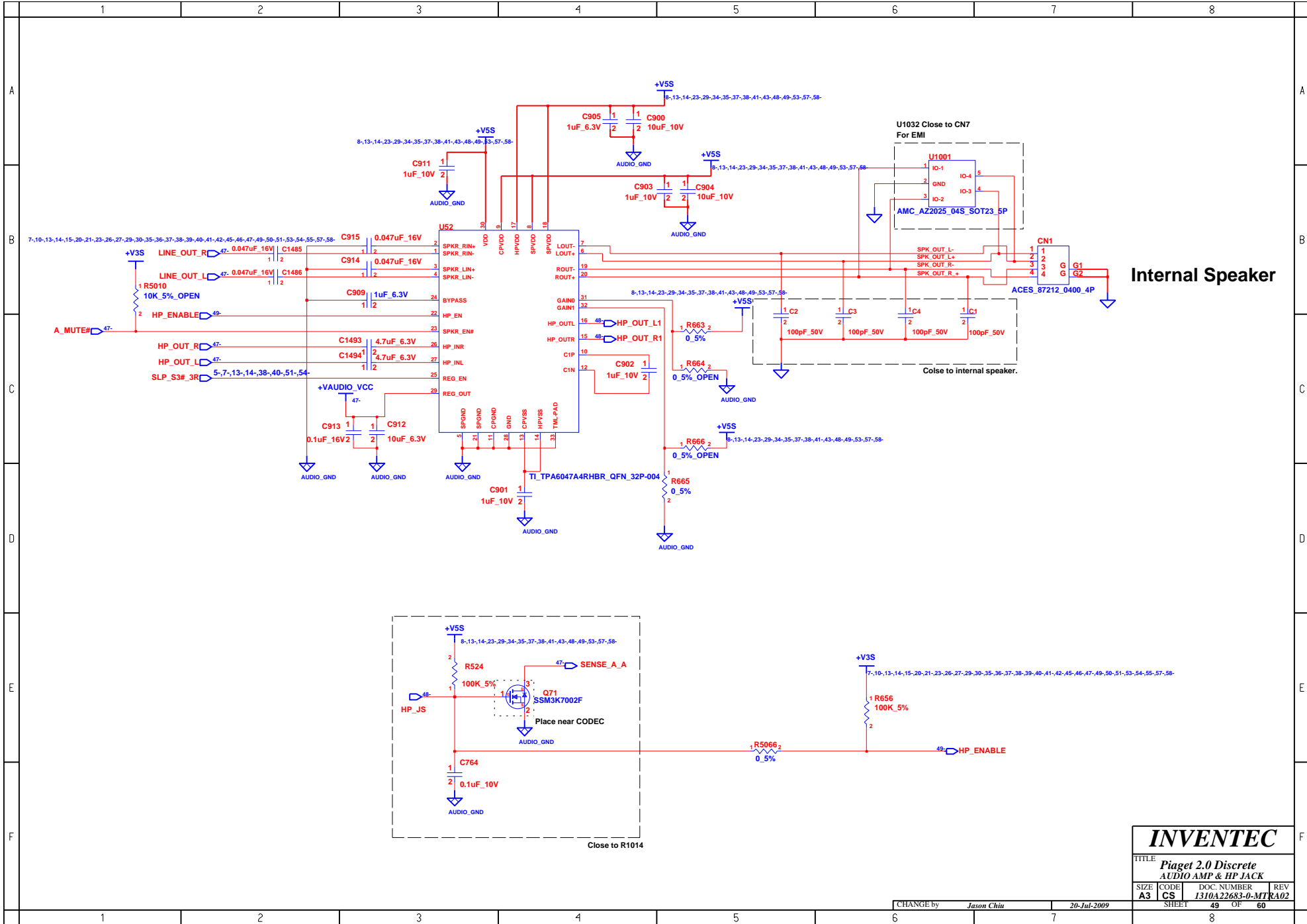
SIZE	CODE	DOC. NUMBER	REV
A3	CS	1310A22683-0-MT	KA02

CHANGE by Jason Chiu 20-Jul-2009

SHEET 47 OF 60



INVENTEC			
TITLE <i>Piaget 2.0 Discrete Earphone & MIC JACK</i>			
SIZE A3	CODE CS	DOC NUMBER 1310A2263-0-MT	REV RA02
CHANGE by <i>Jason Chiu</i>		20-Jul-2009	
SHEET 48		OF 60	

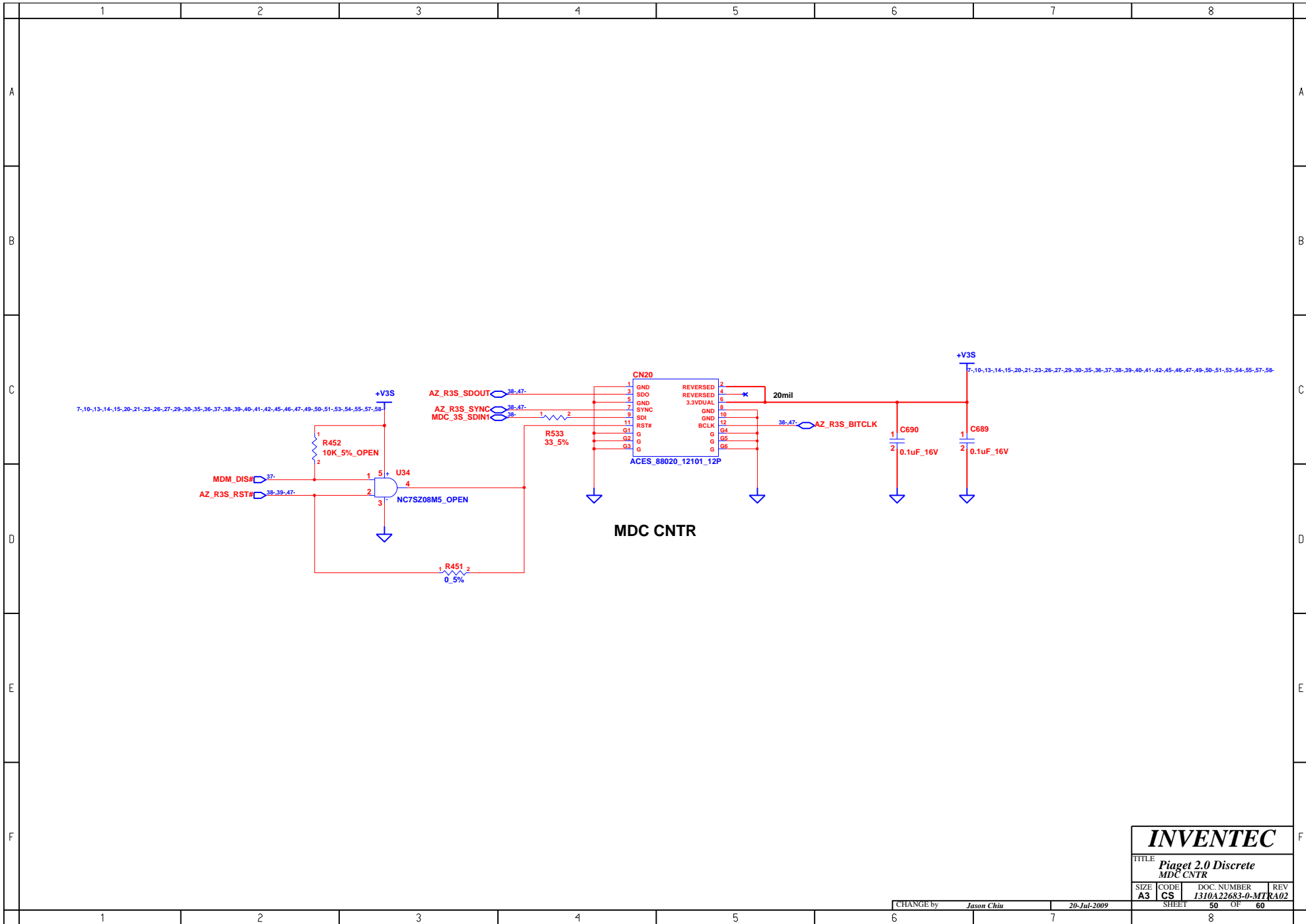


Internal Speaker

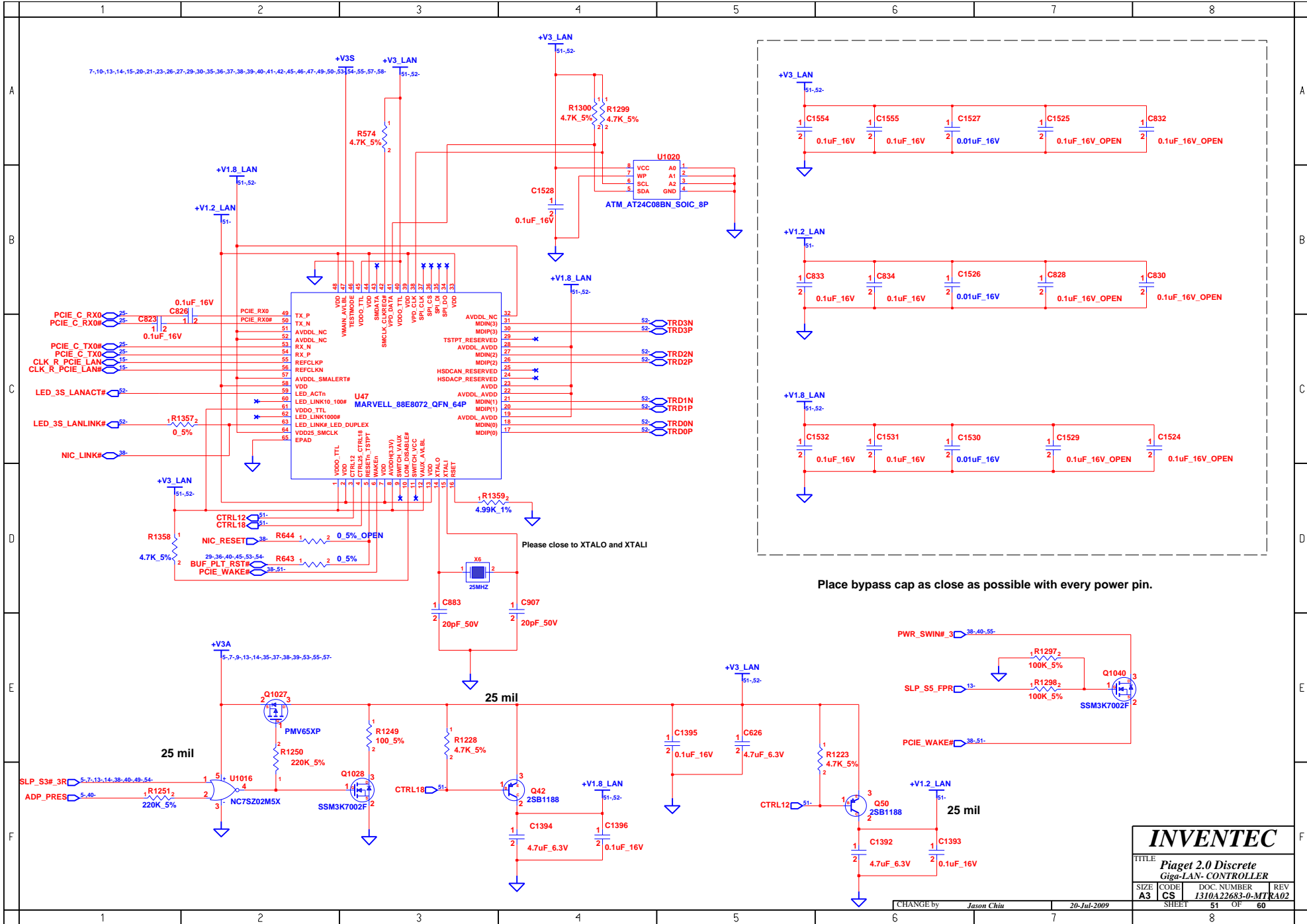
INVENTEC

TITLE
**Piaget 2.0 Discrete
AUDIO AMP & HP JACK**

SIZE A3	CODE CS	DOC. NUMBER I310A2263-0-MT	REV RA02
CHANGE by <i>Jason Chiu</i>		20-Jul-2009	
SHEET 49		OF 60	

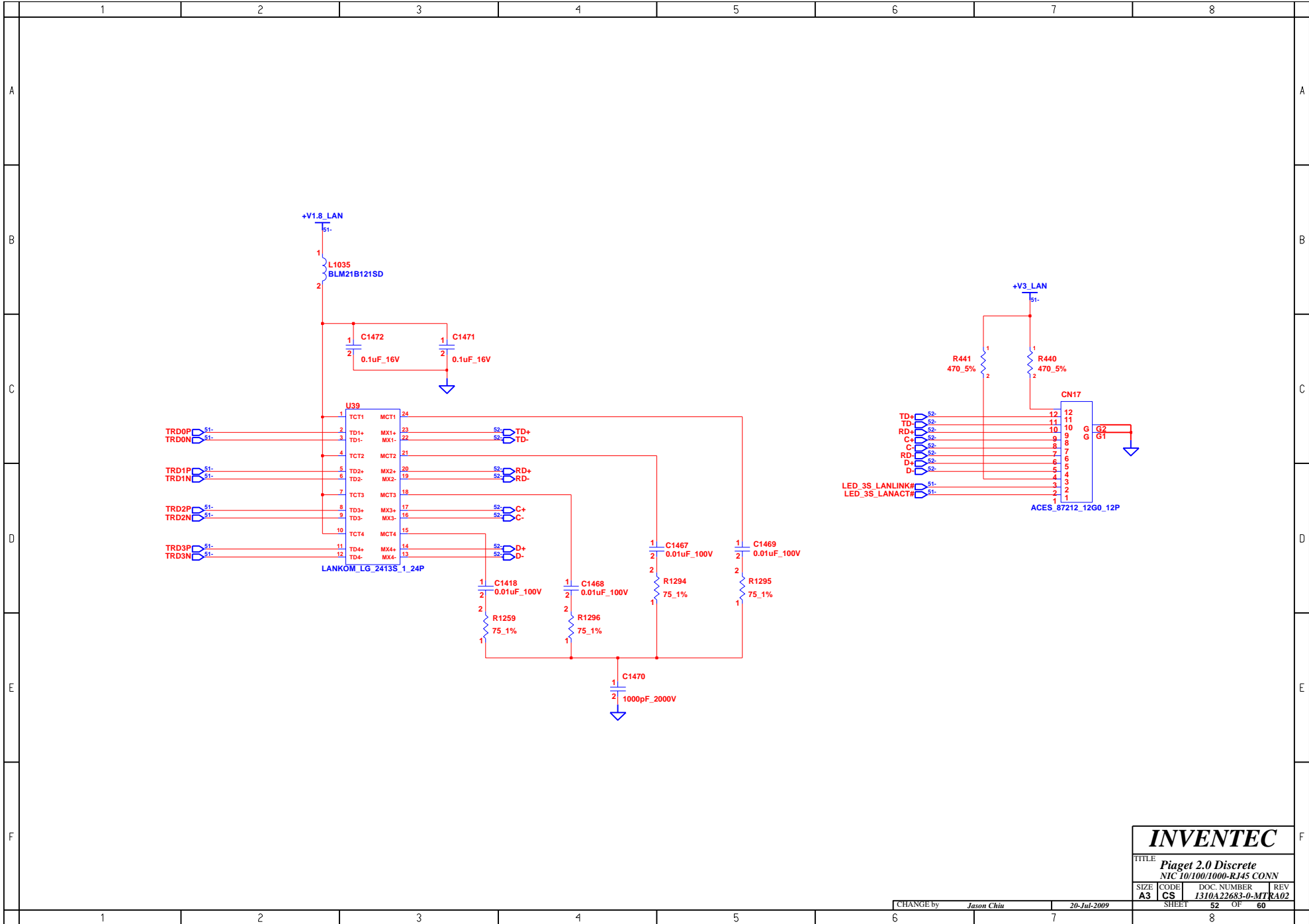


INVENTEC			
TITLE <i>Piaget 2.0 Discrete</i> MDC CNTR			
SIZE A3	CODE CS	DOC. NUMBER 1310A22683-0-MTR	REV KA02
CHANGE by <i>Jason Chiu</i>		20-Jul-2009	
SHEET		OF	
50		60	



Place bypass cap as close as possible with every power pin.

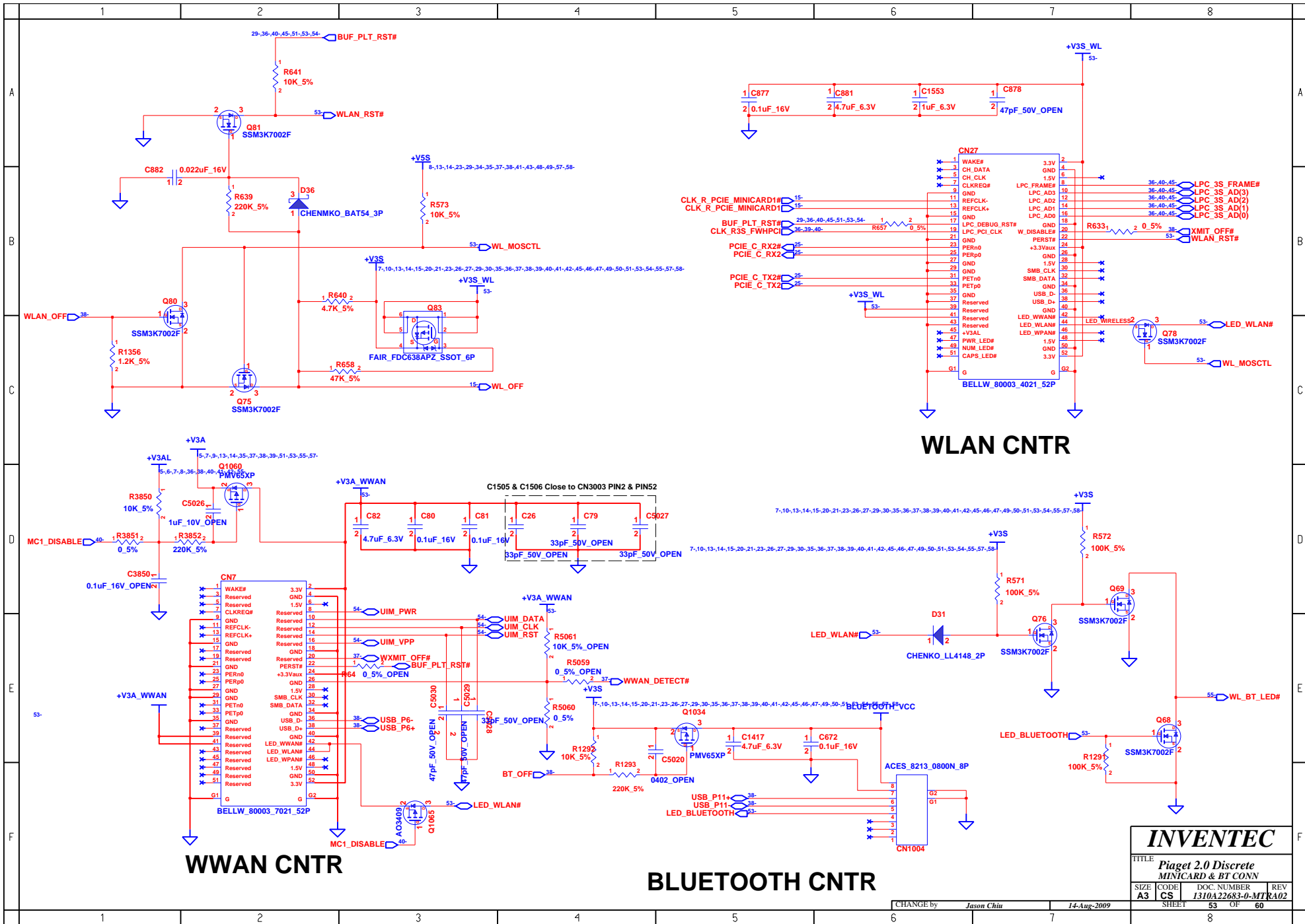
INVENTEC			
TITLE Piaget 2.0 Discrete Giga-LAN- CONTROLLER			
SIZE A3	CODE CS	DOC NUMBER 1310A22683-0-MT	REV RA02
SHEET 51		OF 60	



INVENTEC

TITLE
Piaget 2.0 Discrete
 NIC 10/100/1000-RJ45 CONN

SIZE A3	CODE CS	DOC. NUMBER 1310A22683-0-MTR	REV A02
-------------------	-------------------	--	-------------------

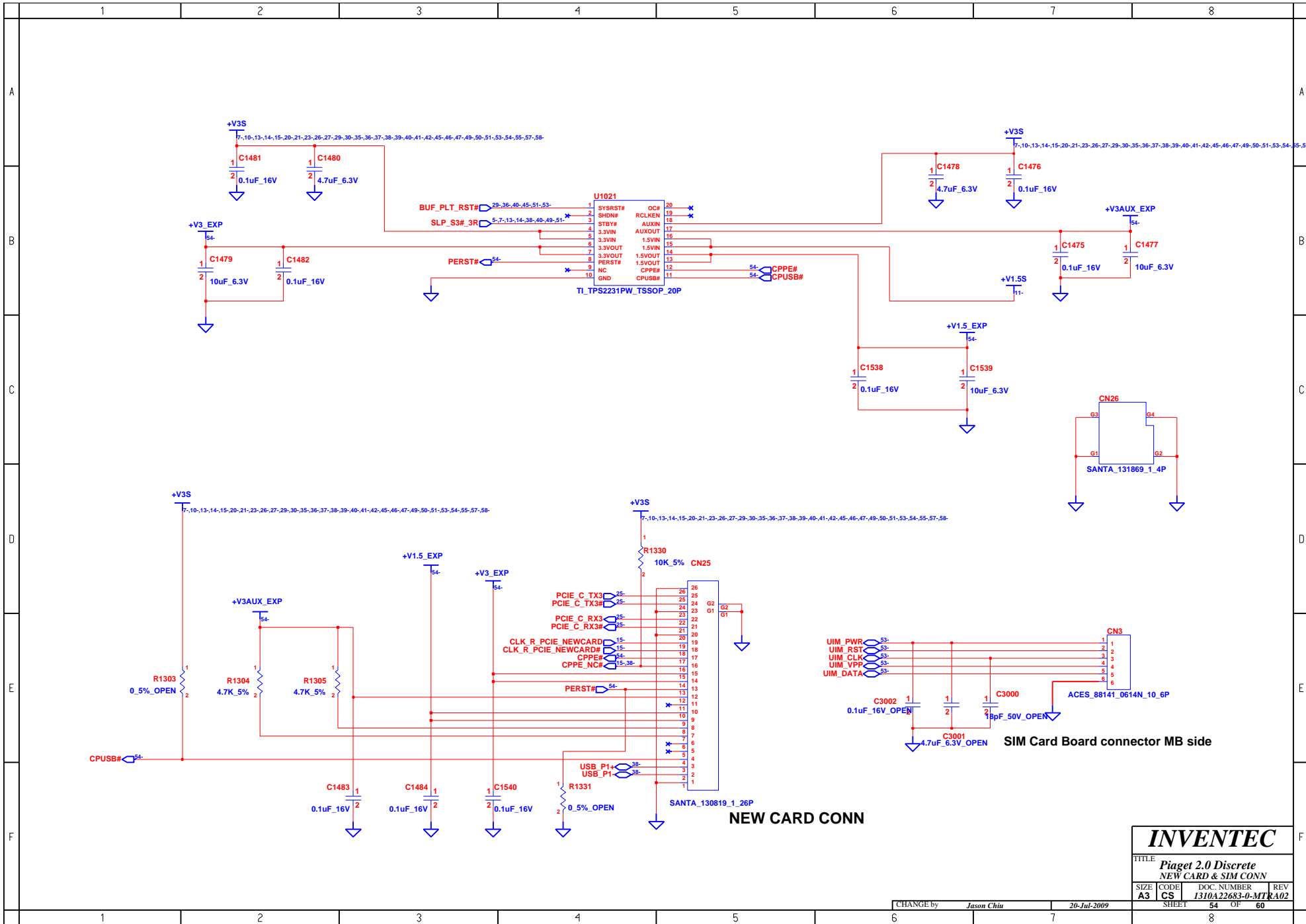


WLAN CNTR

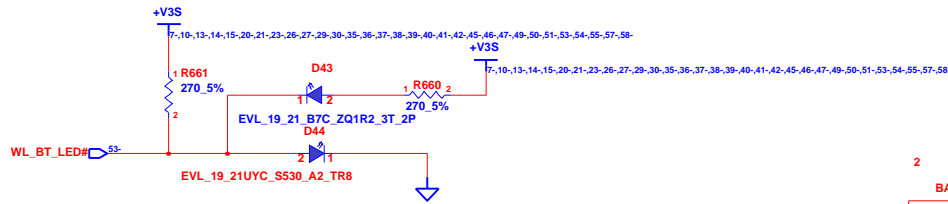
WWAN CNTR

BLUETOOTH CNTR

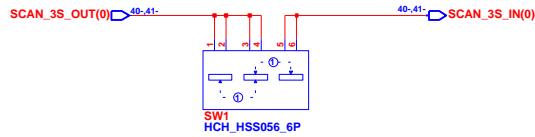
INVENTEC			
TITLE Piaget 2.0 Discrete MINICARD & BT CONN			
SIZE A3	CODE CS	DOC NUMBER I310A2263-0-MTR	REV A02
CHANGE by <i>Jason Chiu</i>		14-Aug-2009	
SHEET 53		OF 60	



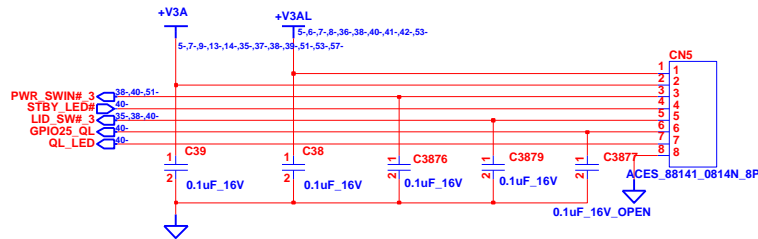
INVENTEC			
TITLE Piaget 2.0 Discrete NEW CARD & SIM CONN			
SIZE A3	CODE CS	DOC. NUMBER I310A2263-0-MT	REV KA02
CHANGE by <i>Jason Chiu</i>		20-Jul-2009	
SHEET 54		OF 60	



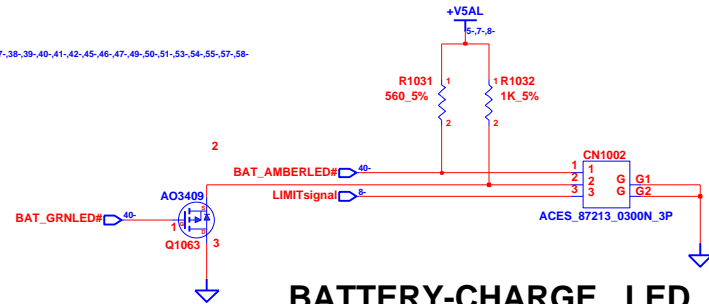
WIRELESS LED



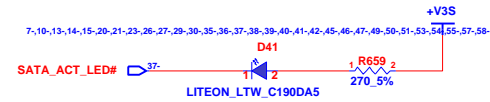
WIRELESS BUTTON



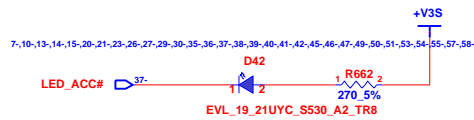
Swth Board & LED Board CONN



BATTERY-CHARGE LED



HDD & ODD LED



ACCELEROMTER LED

INVENTEC

TITLE			
Piaget 2.0 Discrete			
W/B & SW/B & LED/B CONN			
SIZE	CODE	DOC. NUMBER	REV
A3	CS	1310A2263-0-MT	RA02

CHANGE by Jason Chiu 20-Jul-2009

SHEET 55 OF 60



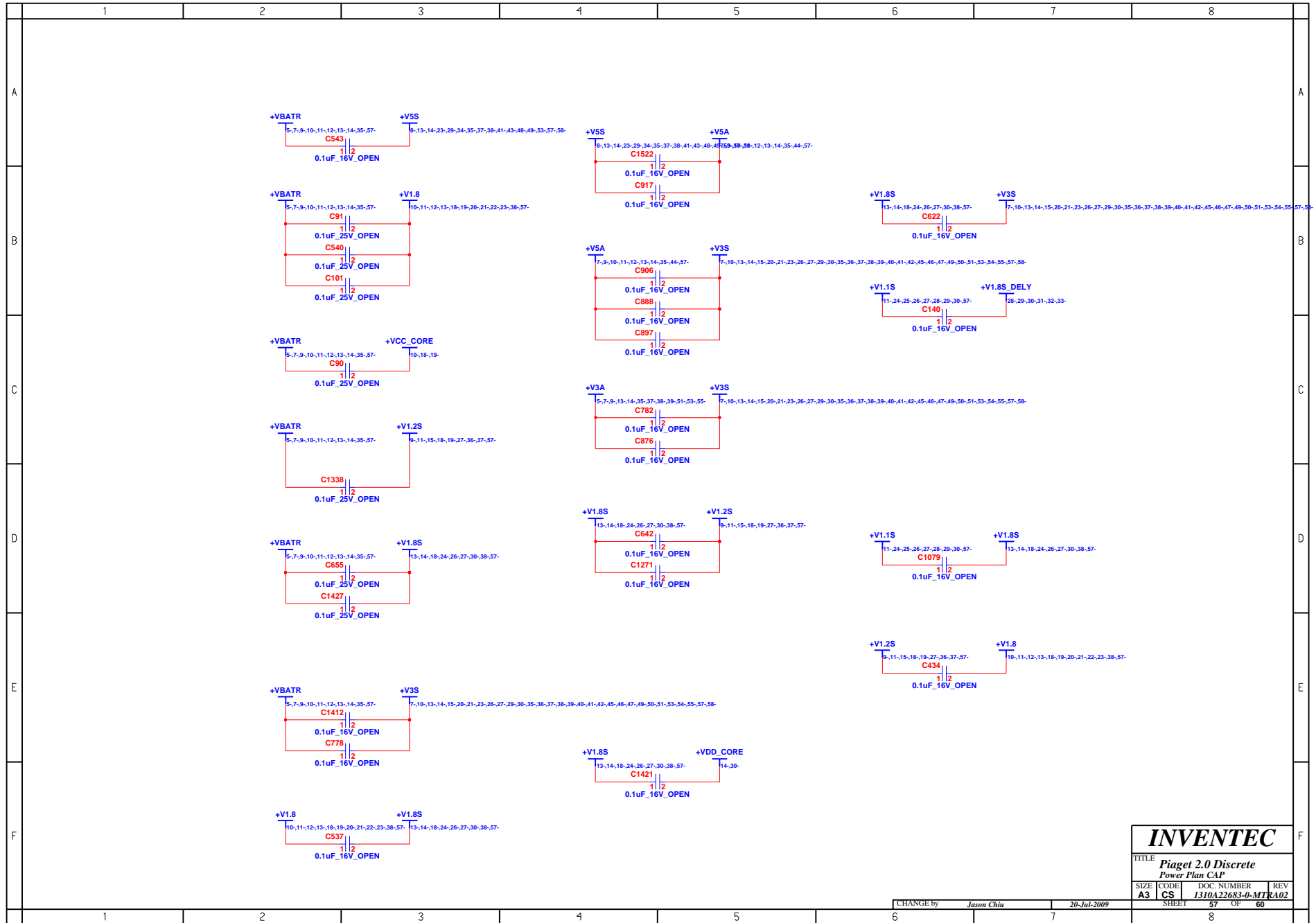
INVENTEC

TITLE *Piaget 2.0 Discrete*
SCREW

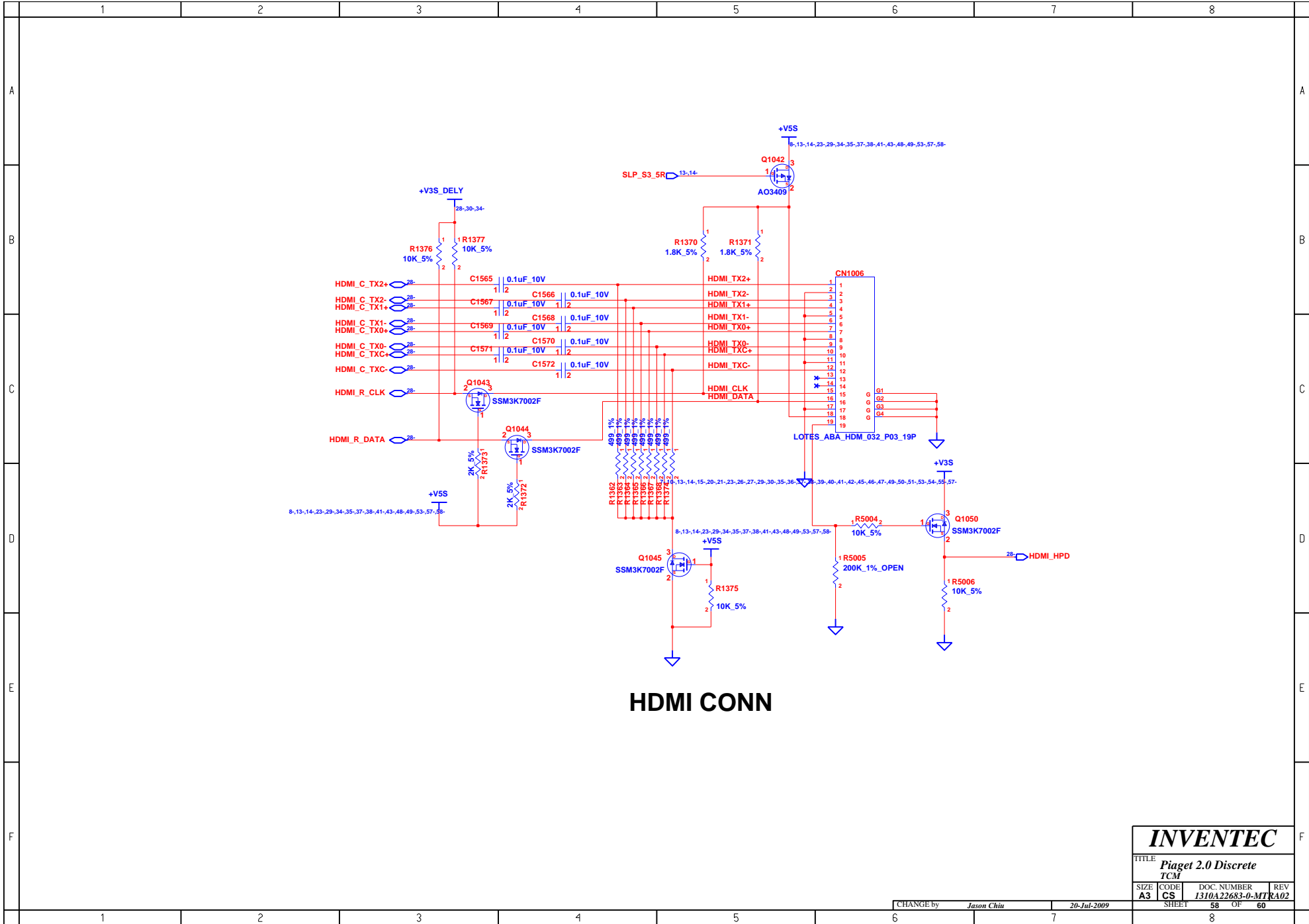
SIZE	CODE	DOC. NUMBER	REV
A3	CS	1310A2263-0-MT	A02

CHANGE by *Jason Chiu* 20-Jul-2009

SHEET 56 OF 60

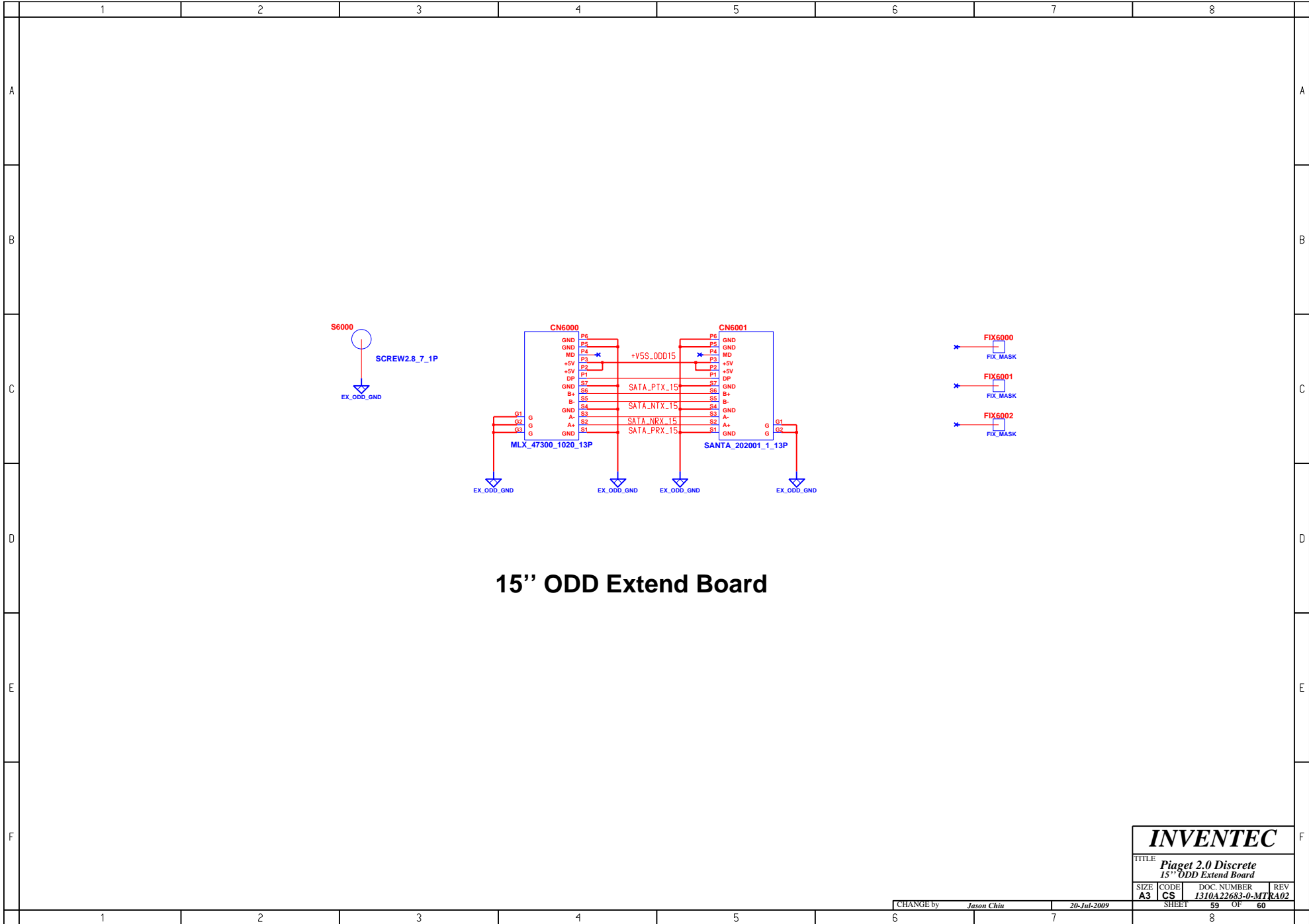


INVENTEC			
TITLE: Piaget 2.0 Discrete			
Power Plan CAP			
SIZE: A3	CODE: CS	DOC NUMBER: 1310A22683-0-MTRA02	REV: 09
CHANGE by: Jason Chiu		20-Jul-2009	
SHEET: 57		OF: 60	



HDMI CONN

INVENTEC			
TITLE <i>Piaget 2.0 Discrete</i>			
TCM			
SIZE A3	CODE CS	DOC. NUMBER <i>1310A2263-0-MTR</i>	REV A02
CHANGE by <i>Jason Chiu</i>		20-Jul-2009	
SHEET 58		OF 60	



15" ODD Extend Board

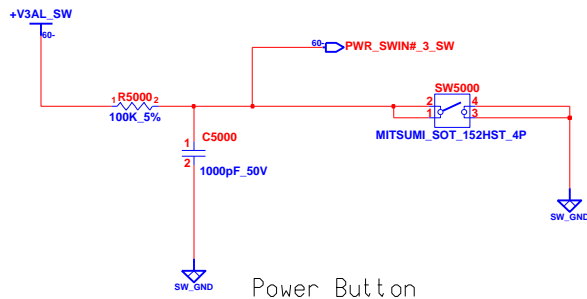
INVENTEC

TITLE **Piaget 2.0 Discrete
15" ODD Extend Board**

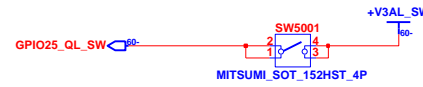
SIZE A3	CODE CS	DOC. NUMBER 1310A22683-0-MT	REV A02
-------------------	-------------------	---------------------------------------	-------------------

CHANGE by *Jason Chiu* 20-Jul-2009

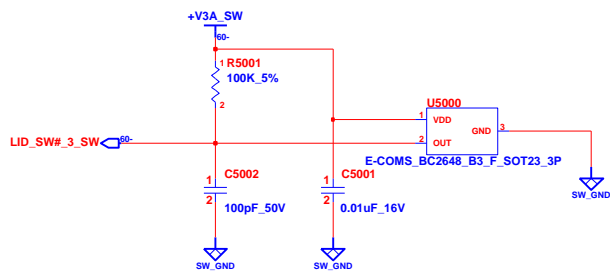
SHEET 59 OF 60



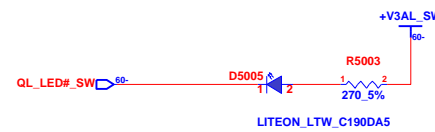
Power Button



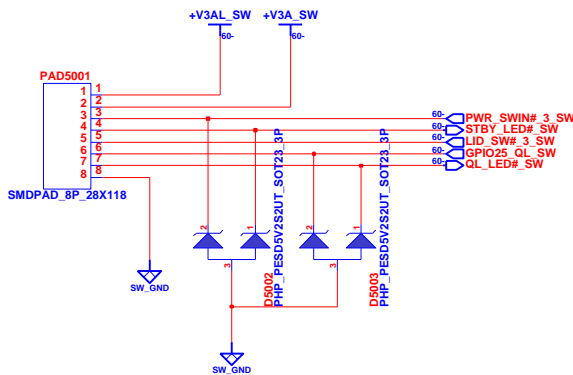
Switch & LED Board



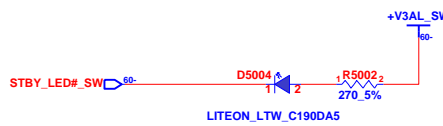
LID Switch



Quick Look LED



Switch & LED Board



Power/Standby LED

- FIX5000
FIX_MASK
- FIX5001
FIX_MASK
- FIX5002
FIX_MASK
- FIX5003
FIX_MASK
- FIX5004
FIX_MASK
- FIX5005
FIX_MASK

INVENTEC

TITLE			
Piaget 2.0 Discrete 15" QDD Extend Board			
SIZE	CODE	DOC. NUMBER	REV
A3	CS	1310A22683-0-MT	KA02
SHEET		60	OF 60

CHANGE by Jason Chiu 20-Jul-2009