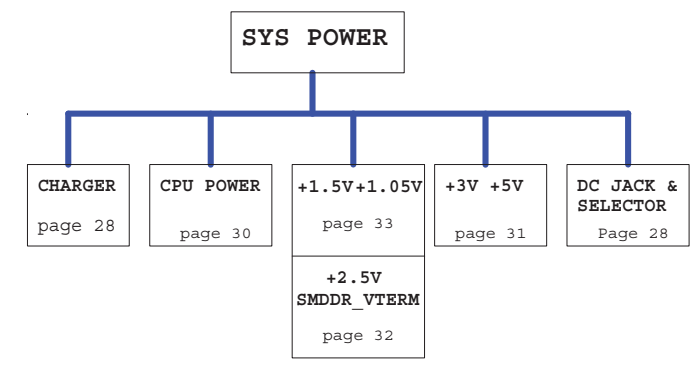
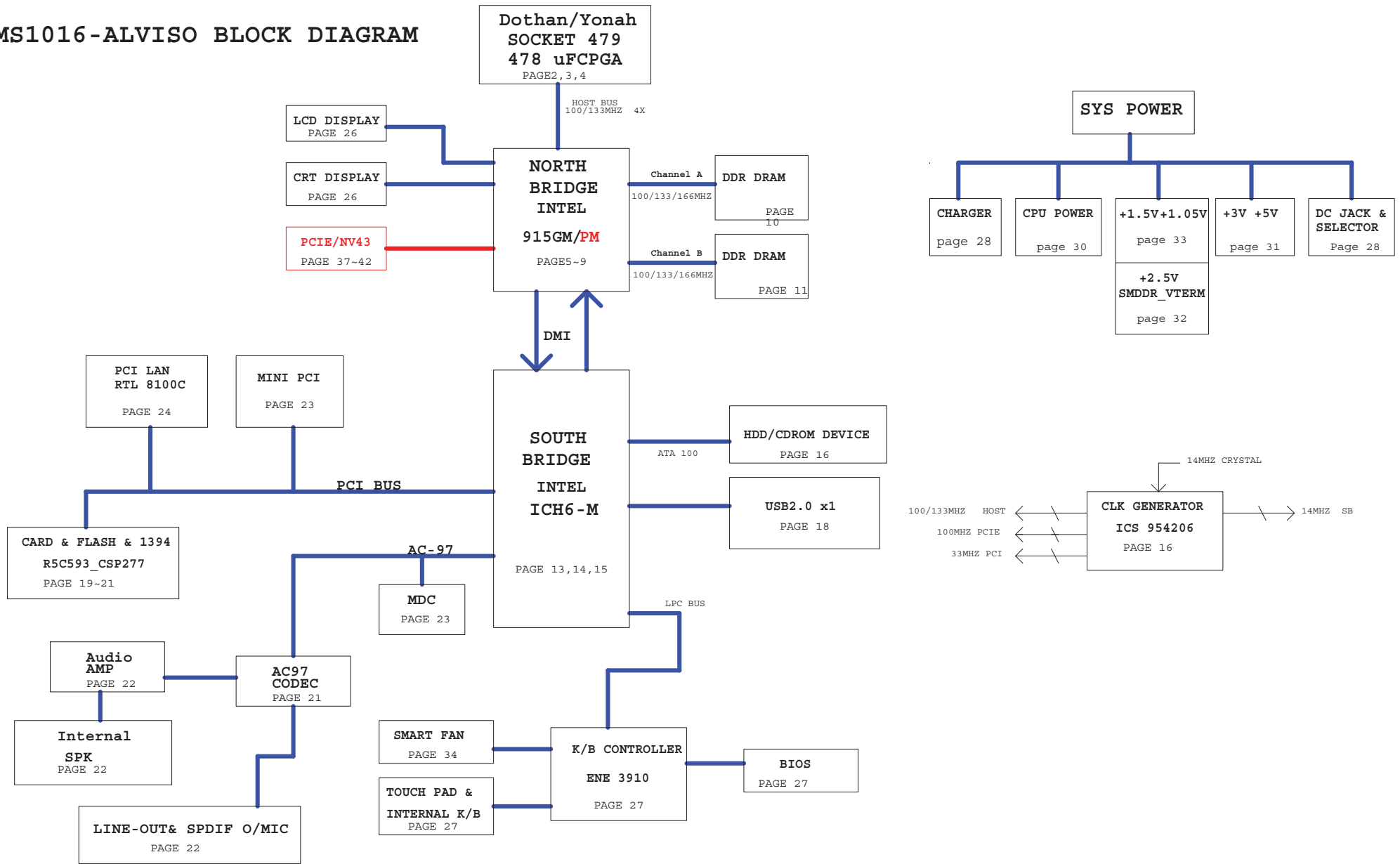


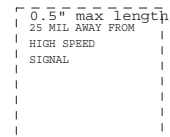
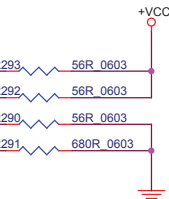
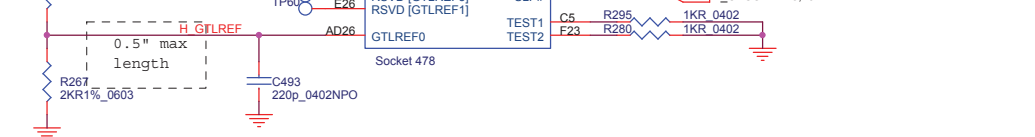
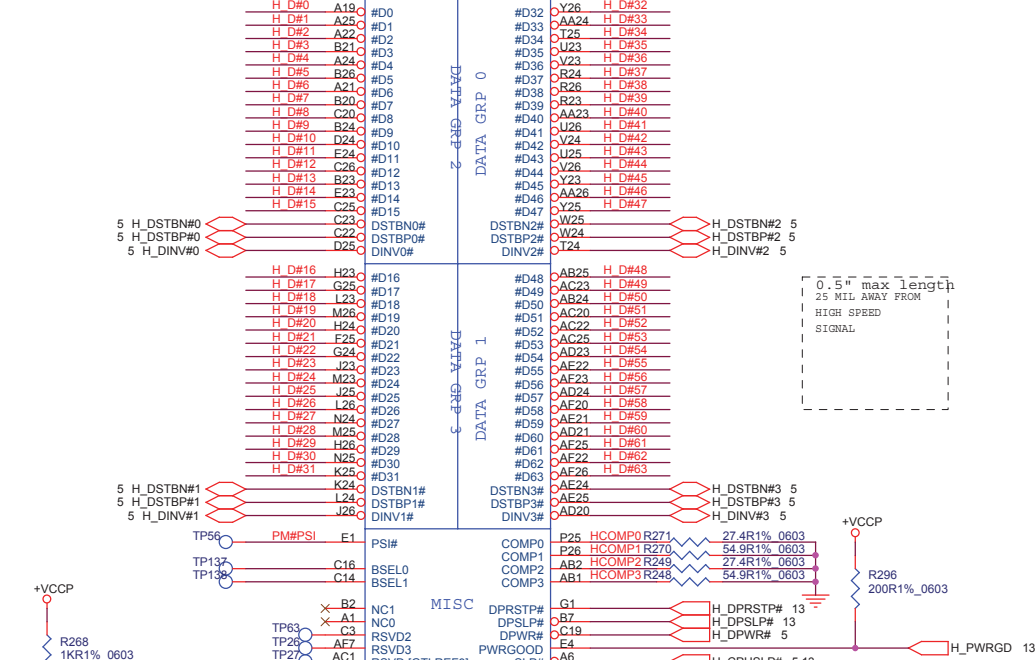
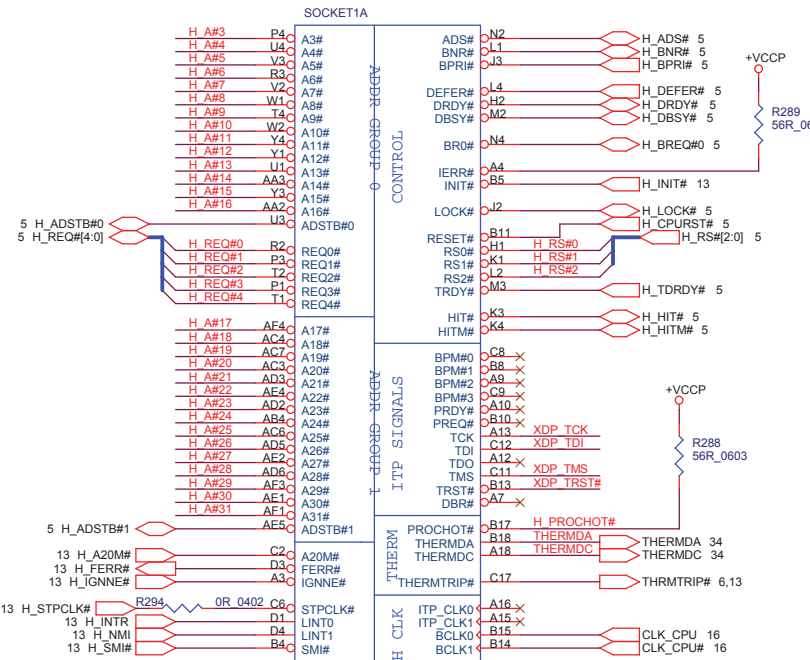
MS1016-ALVISO BLOCK DIAGRAM



MSI CORPORATION		
Title	BLOCK DIAGRAM	
Size	Document Number	Rev 0A
Date	Friday, May 20, 2005	Sheet 1 of 46

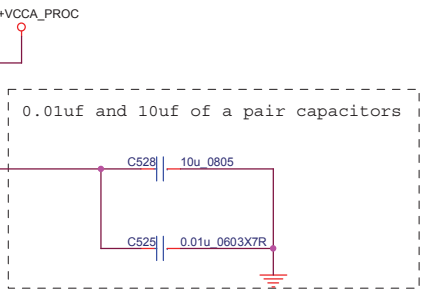
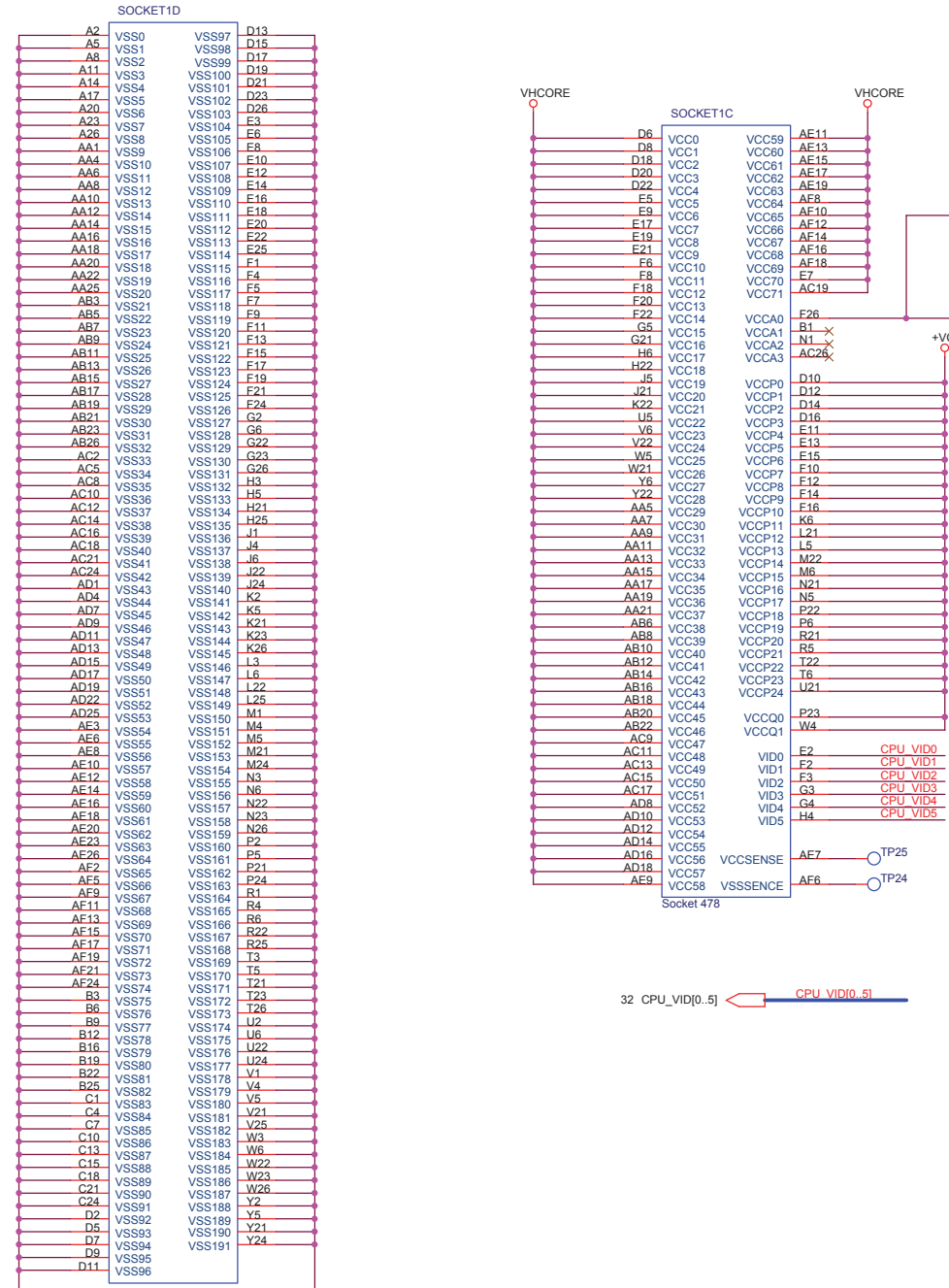
5 H_A#[3:31]

5 H_D#[63:0]



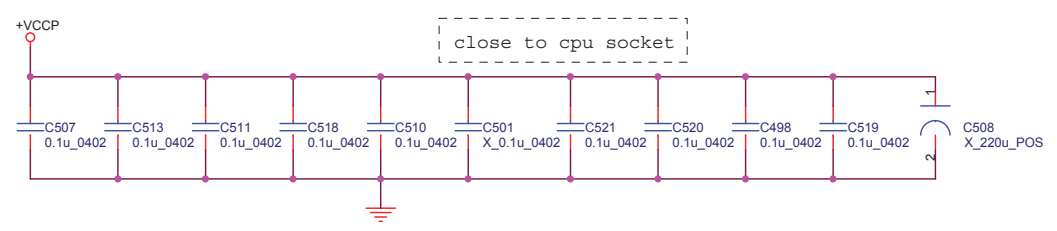
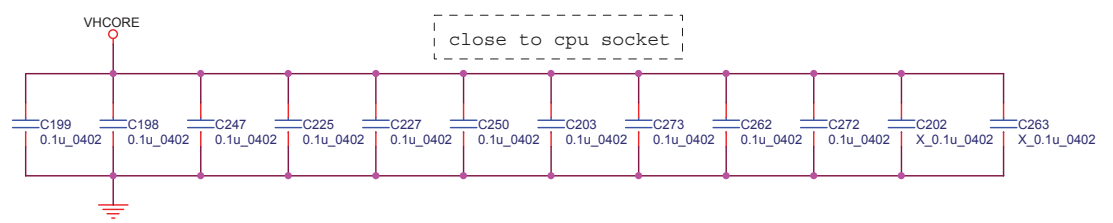
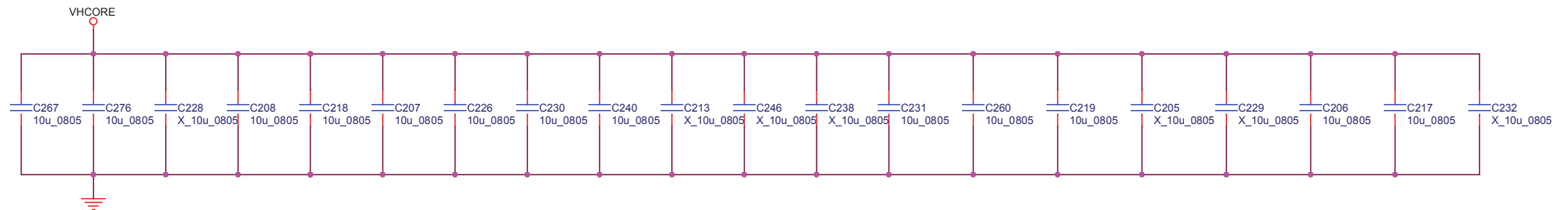
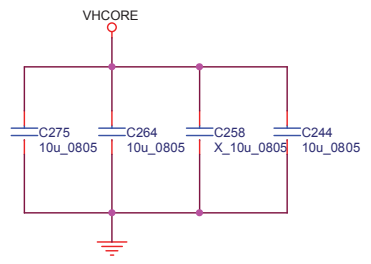
MSI CORPORATION			
Title: CPU1			
Size: Custom	Document Number:	Rev: 0A	
Date: Friday, May 20, 2005	Sheet: 2	of: 46	

<http://laptop-motherboard-schematic.blogspot.com/>

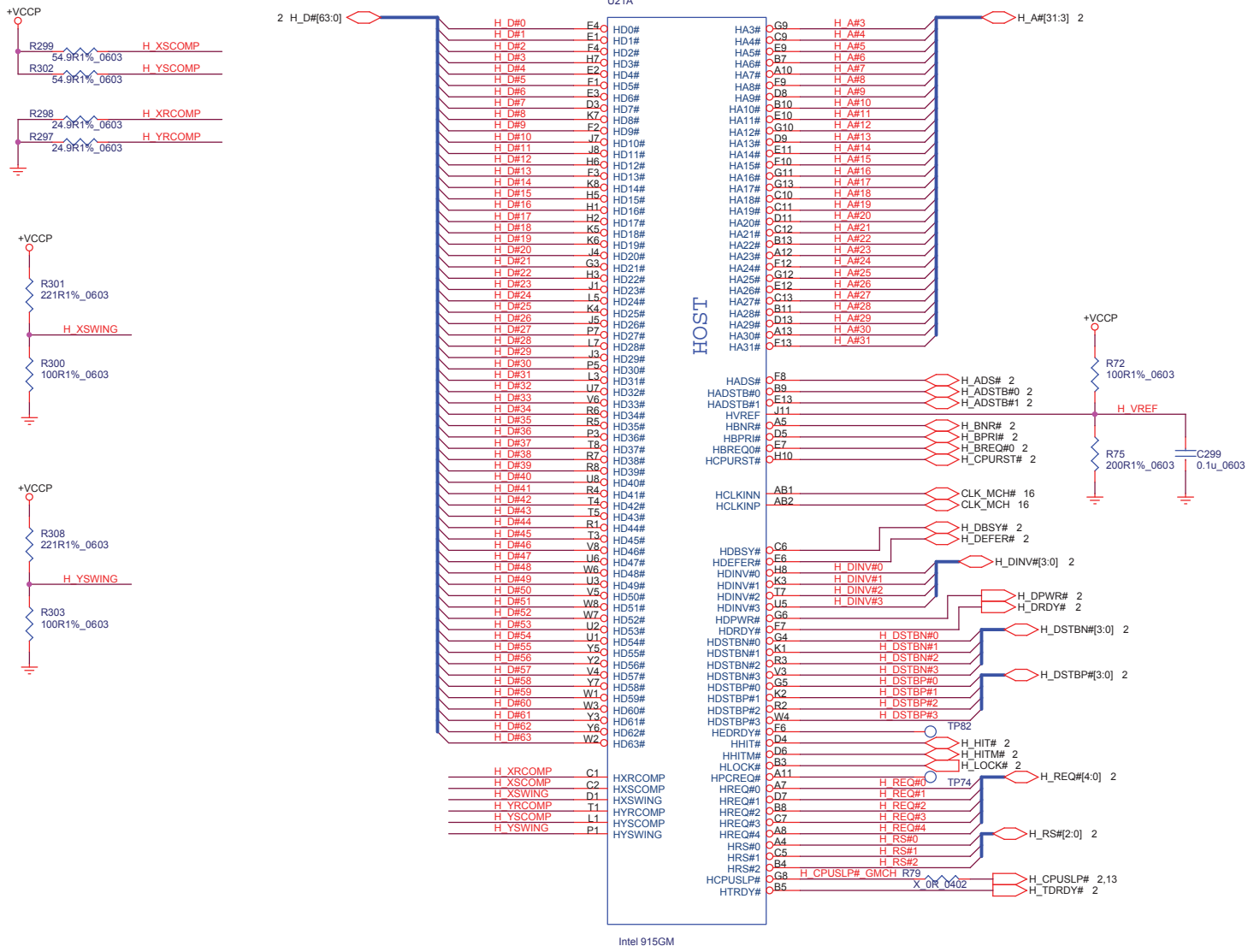


LAYOUT NOTE: Provide a test point (with no stub) to connect differential probe between VCCSENSE and VSSSENSE at the location where the two 54.9 ohm resistors terminate the 55 ohm transmission lines.

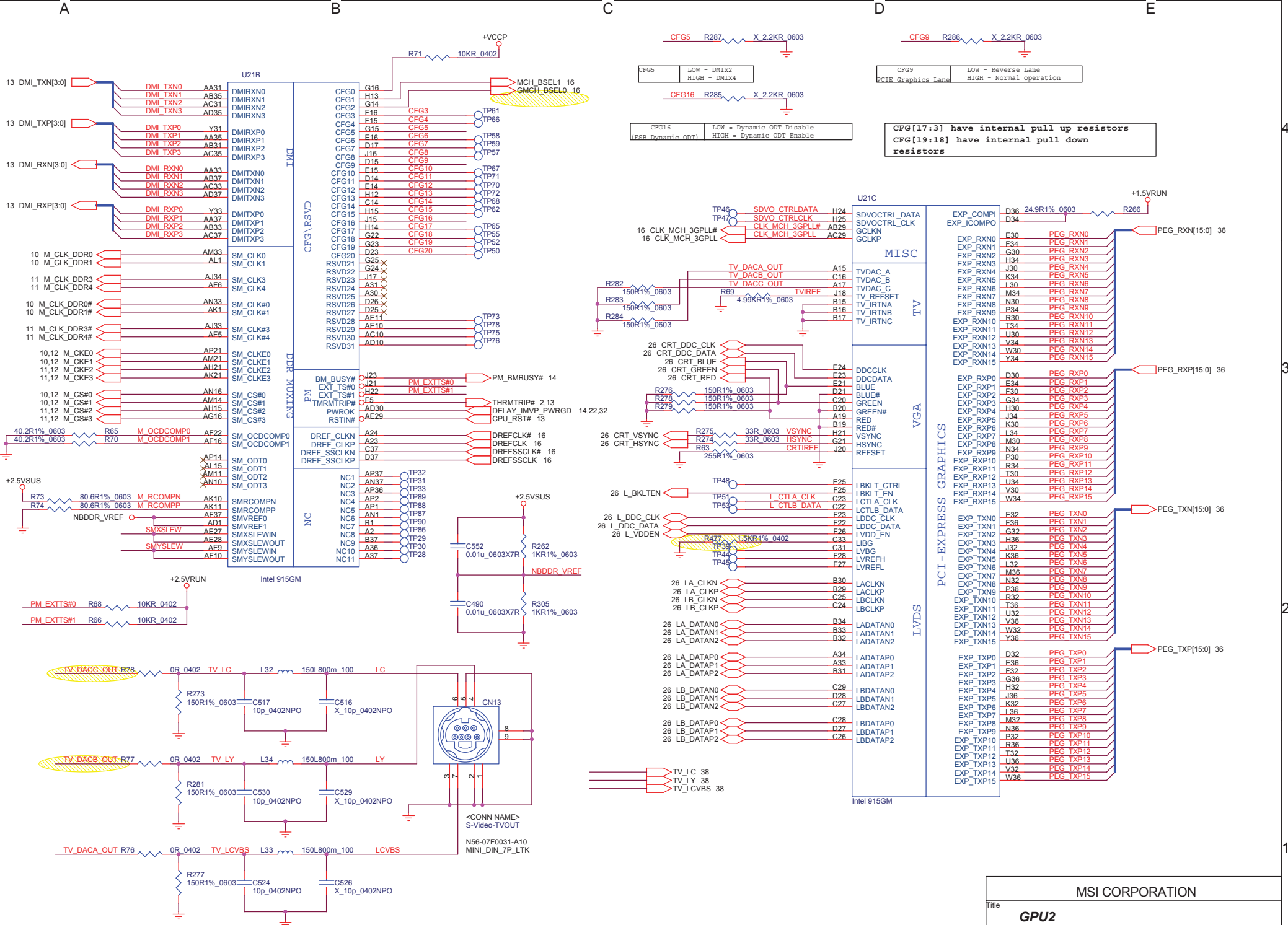
MSI CORPORATION		
Title		
CPU2		
Size	Document Number	Rev
Custom		0A
Date:	Friday, May 20, 2005	Sheet 3 of 46



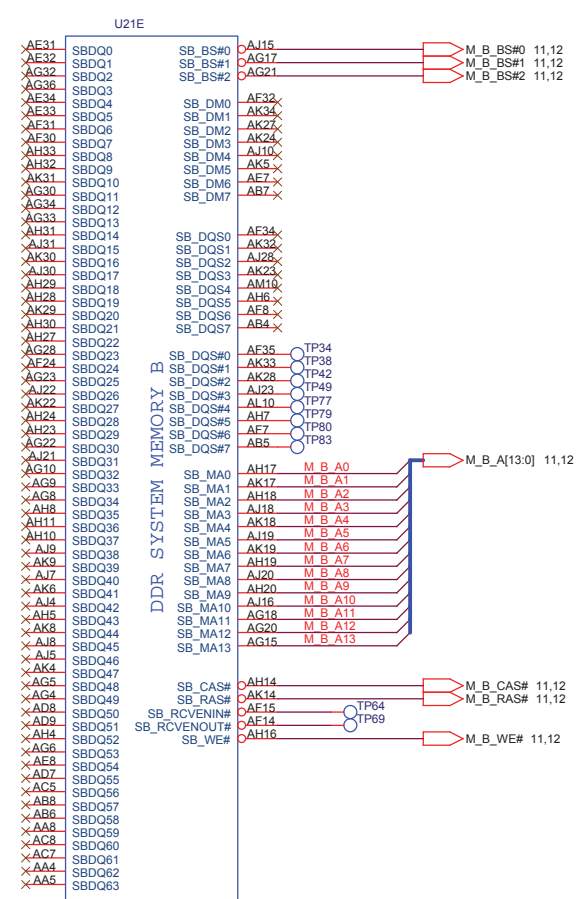
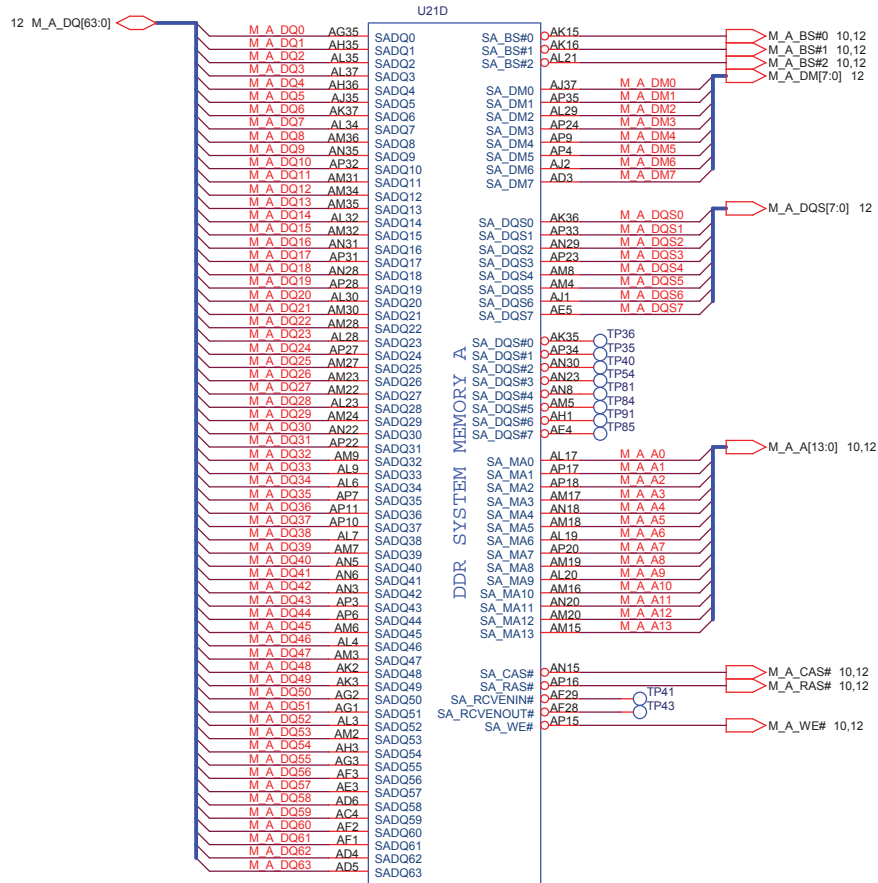
MSI CORPORATION		
Title		
CPU3		
Size	Document Number	Rev
B		0A
Date:	Friday, May 20, 2005	Sheet 4 of 46



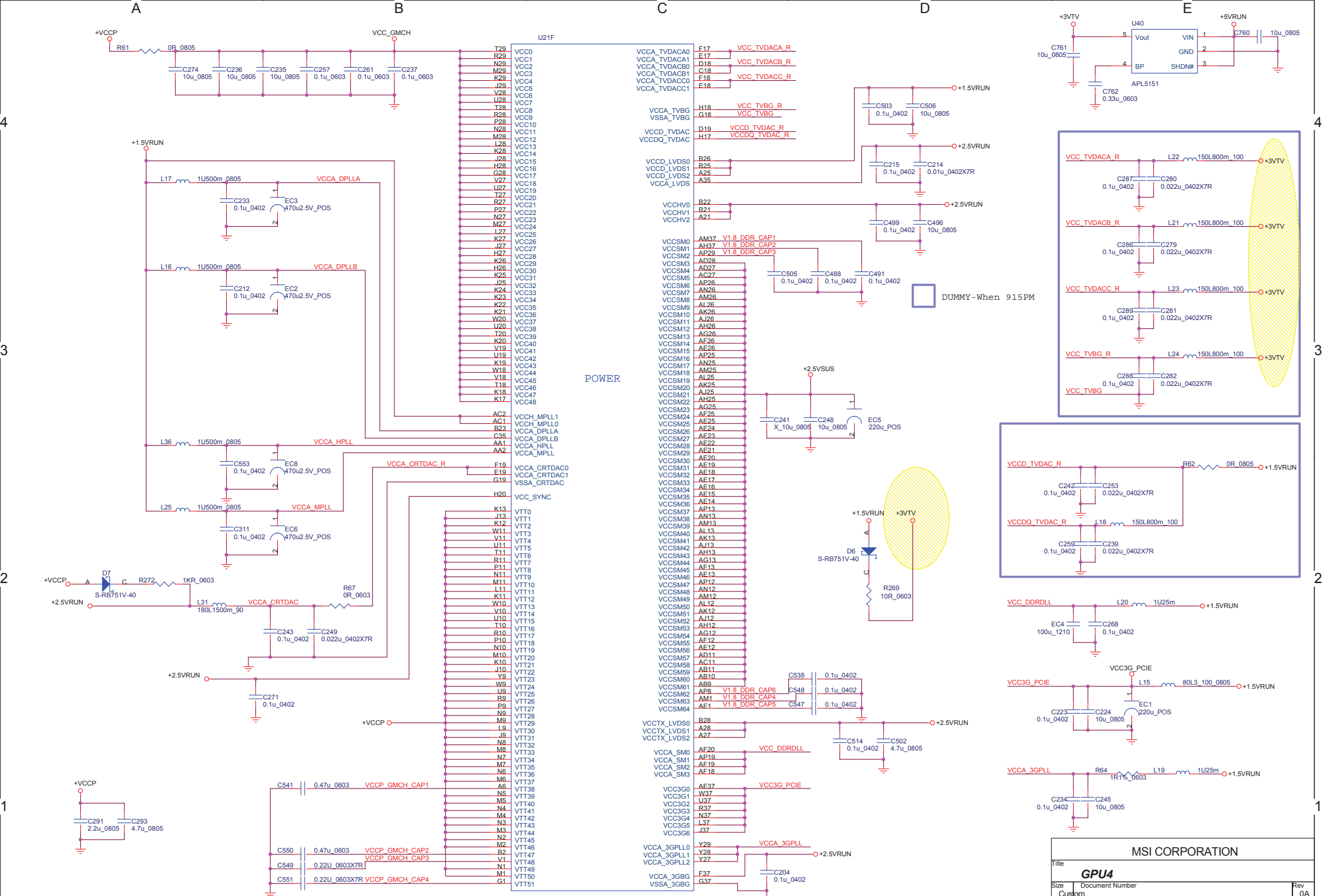
MSI CORPORATION		
Title		
GPU1		
Size	Document Number	Rev
A3		0A
Date:	Friday, May 20, 2005	Sheet 5 of 46



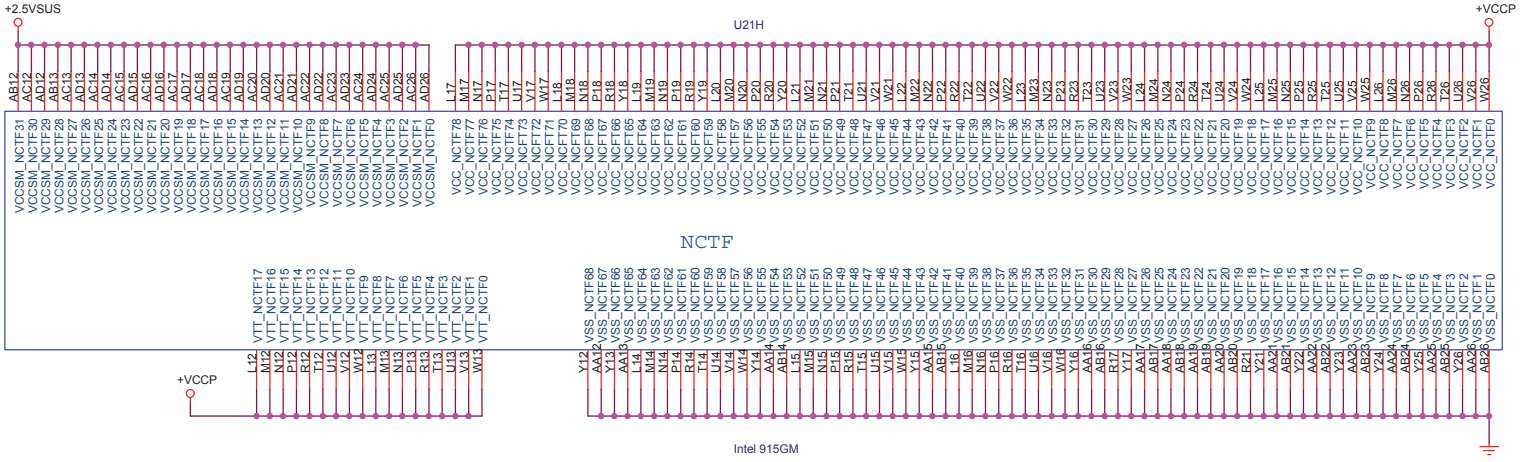
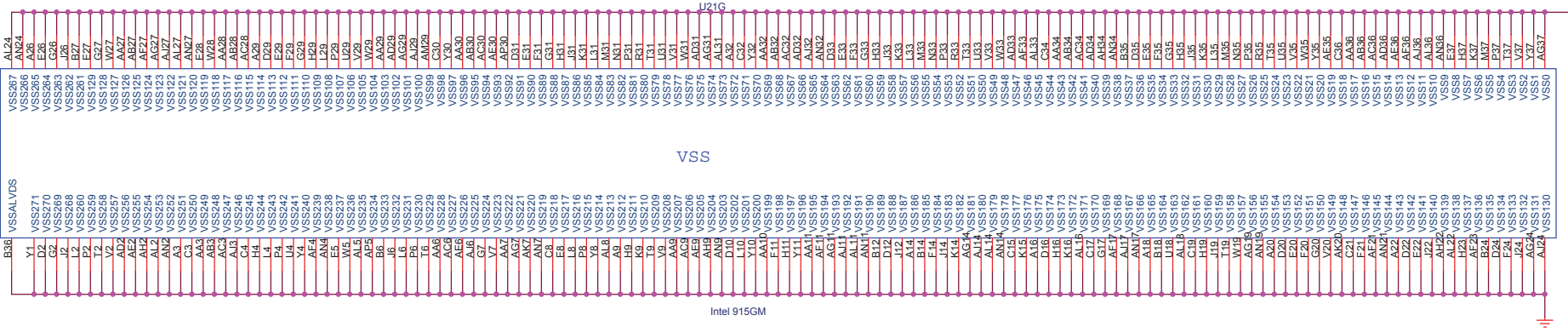
MSI CORPORATION		
Title	GPU2	
Size	Document Number	Rev
A3		0A
Date:	Friday, May 20, 2005	Sheet 6 of 46



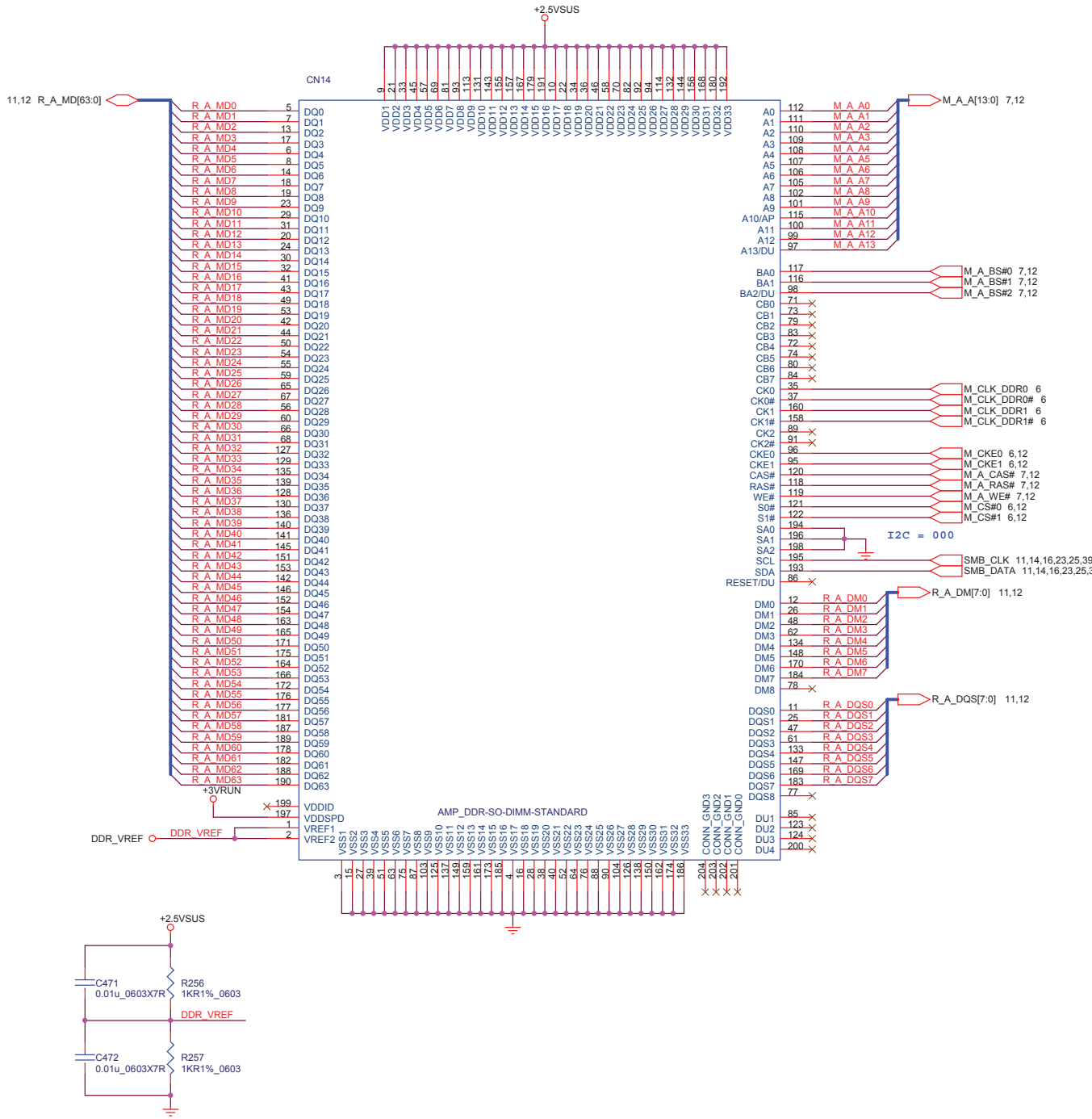
MSI CORPORATION		
Title	GPU3	
Size	Document Number	Rev
A3		0A
Date:	Friday, May 20, 2005	Sheet 7 of 46



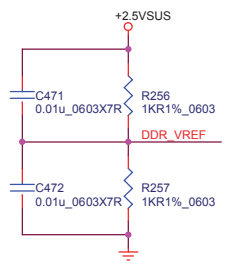
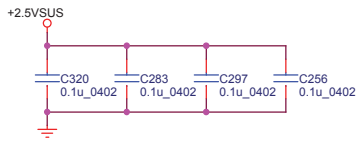
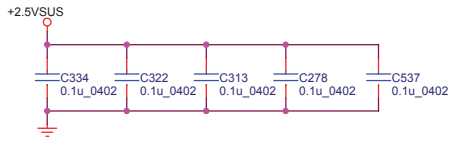
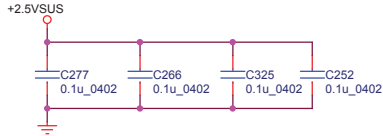
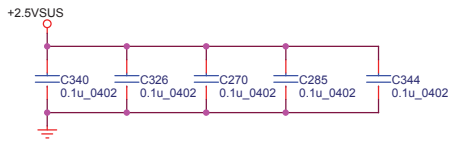
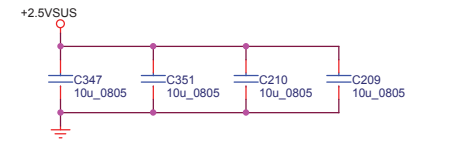
MSI CORPORATION		
Title	GPU4	
Size	Document Number	Rev
Custom		0A
Date:	Friday, May 20, 2005	Sheet 8 of 46



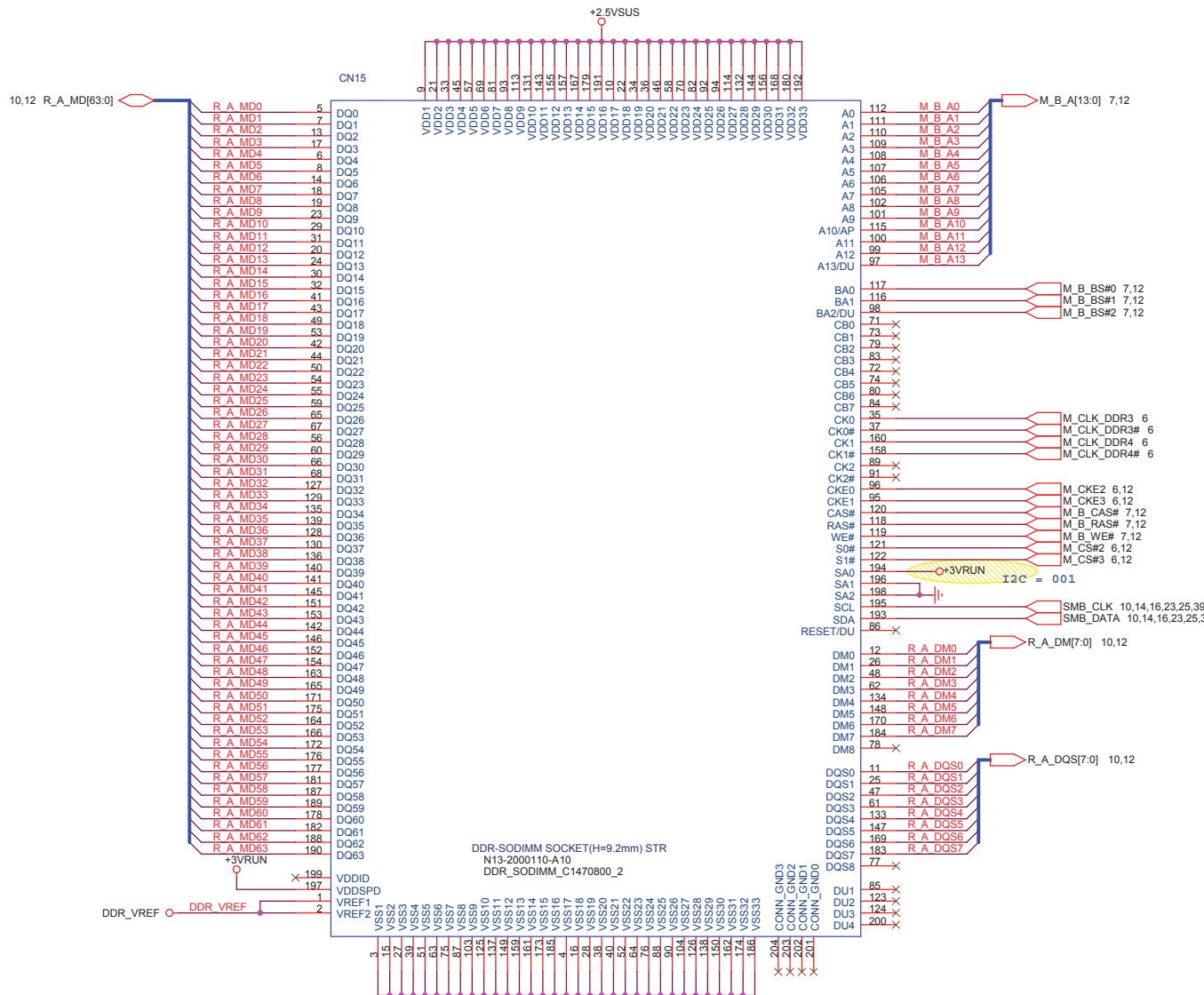
MSI CORPORATION		
Title	GPU5	
Size	Document Number	Rev
A3		0A
Date:	Friday, May 20, 2005	Sheet 9 of 46



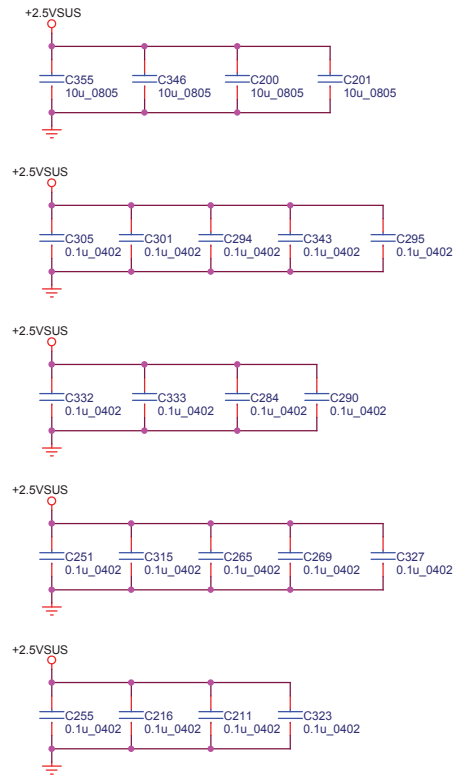
Layout note: Place capacitors between and near DDR connector if possible.



MSI CORPORATION		
Title DDRA		
Size A3	Document Number	Rev 0A
Date: Friday, May 20, 2005	Sheet 10	of 46



Layout note: Place capacitors between and near DDR connector if possible.

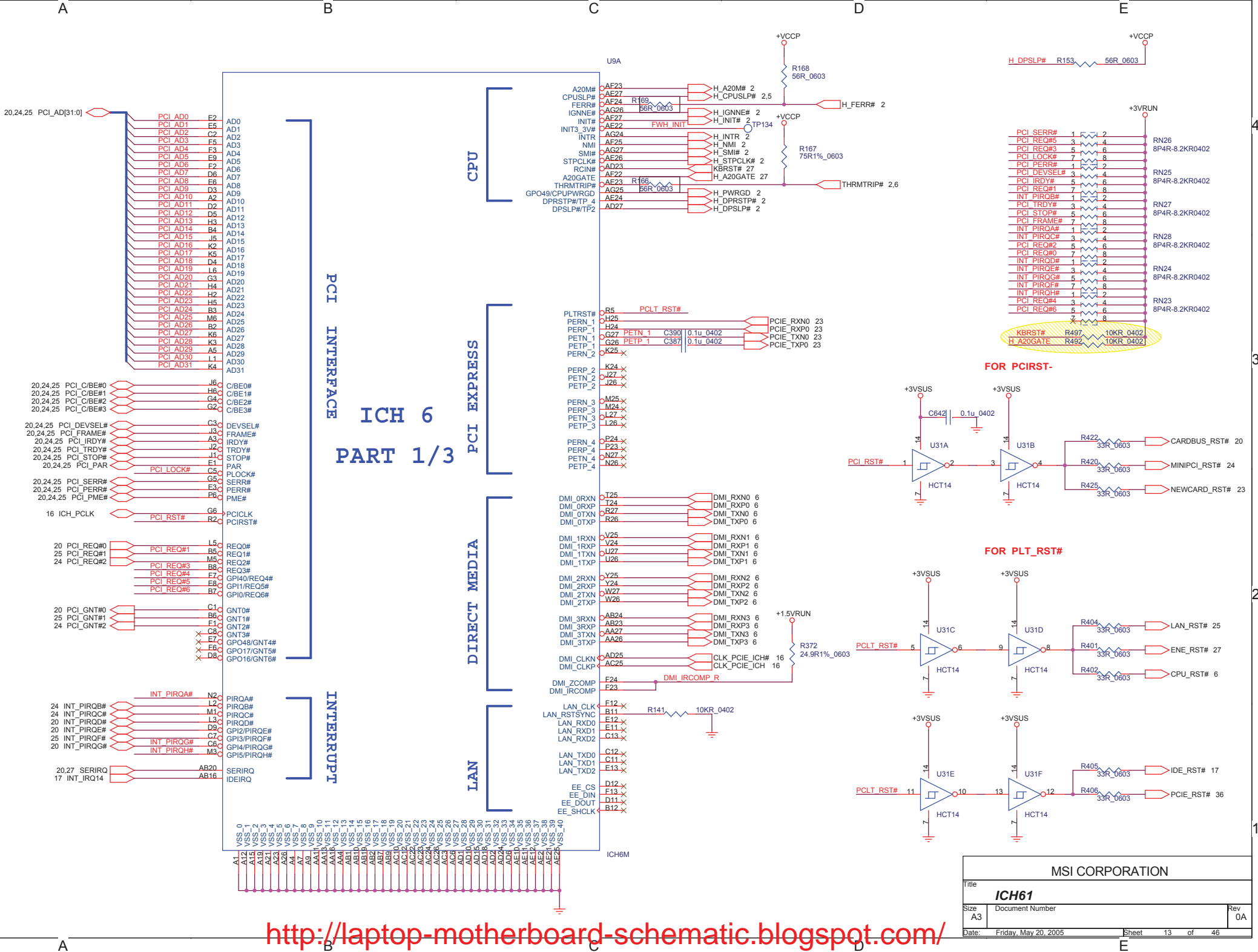


MSI CORPORATION		
Title	DDR B	
Size	Document Number	Rev
A3		0A
Date:	Friday, May 20, 2005	Sheet 11 of 46

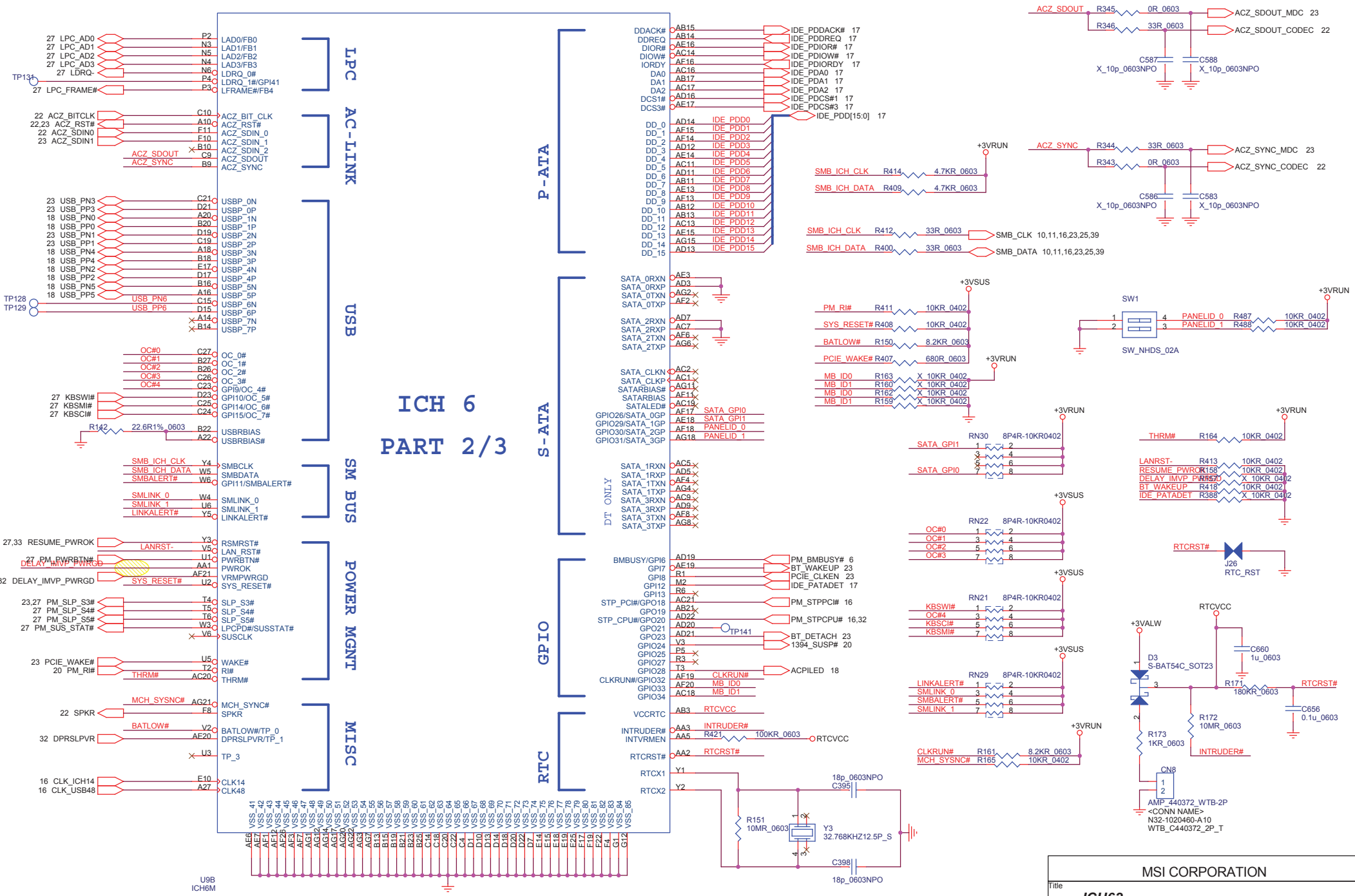


MSI CORPORATION		
Title DDR TERMINATION		
Size A3	Document Number	Rev 0A
Date: Friday, May 20, 2005	Sheet 12	of 46

<http://laptop-motherboard-schematic.blogspot.com/>

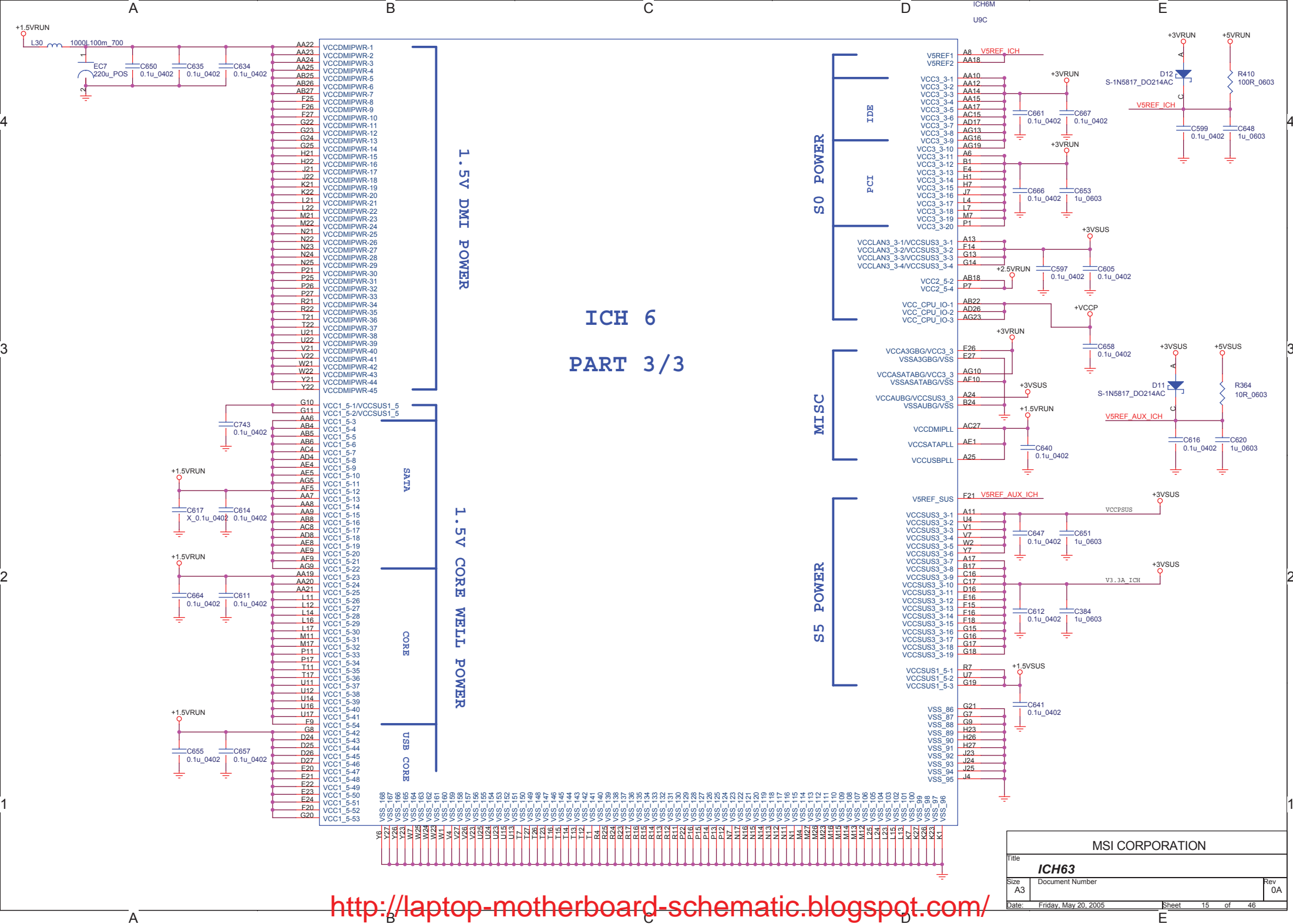


MSI CORPORATION		
Title	ICH61	
Size	Document Number	Rev
A3		0A
Date:	Friday, May 20, 2005	Sheet 13 of 46



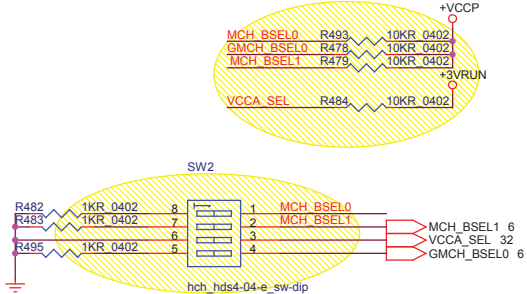
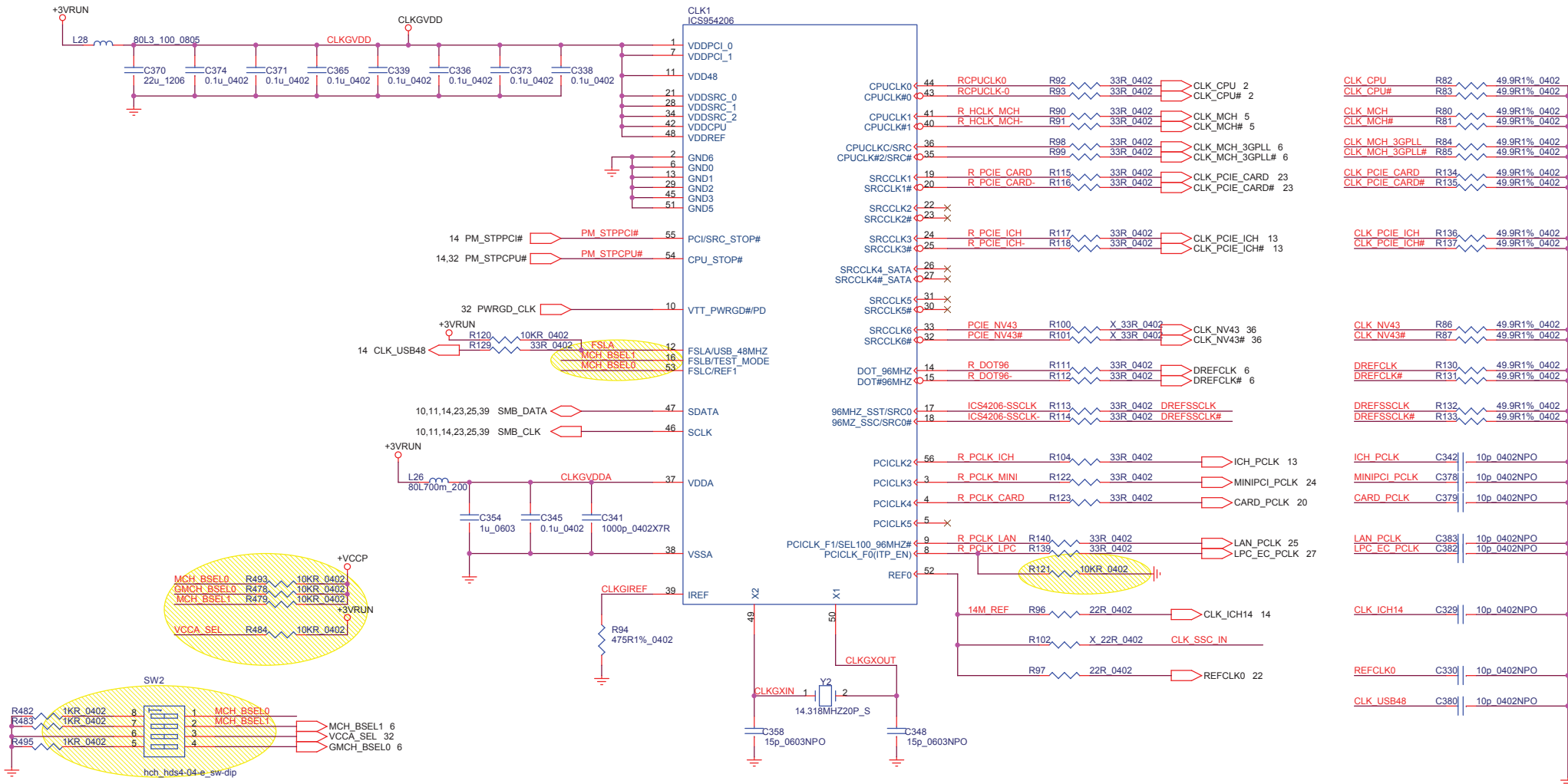
<http://laptop-motherboard-schematic.blogspot.com/>

MSI CORPORATION		
Title	ICH62	
Size	Document Number	Rev
A3		0A
Date:	Friday, May 20, 2005	Sheet 14 of 46



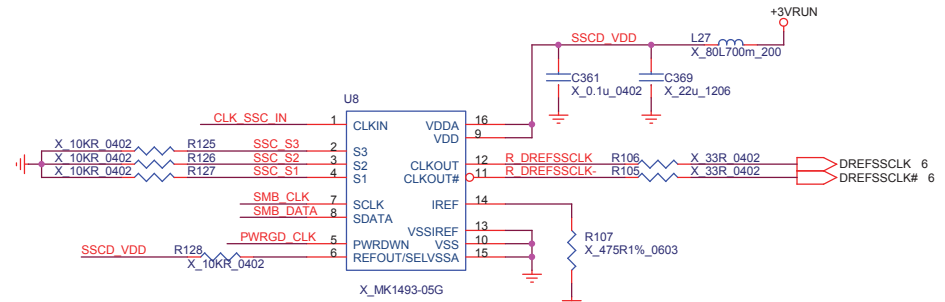
ICH 6
PART 3/3

MSI CORPORATION		
Title	ICH63	
Size	Document Number	Rev
A3		0A
Date:	Friday, May 20, 2005	Sheet 15 of 46

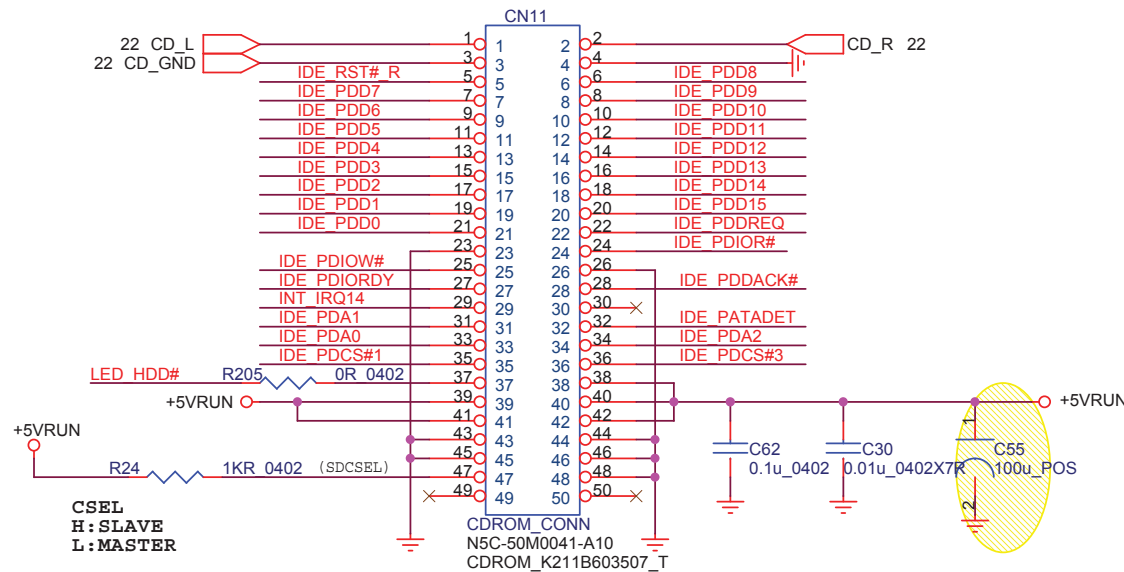
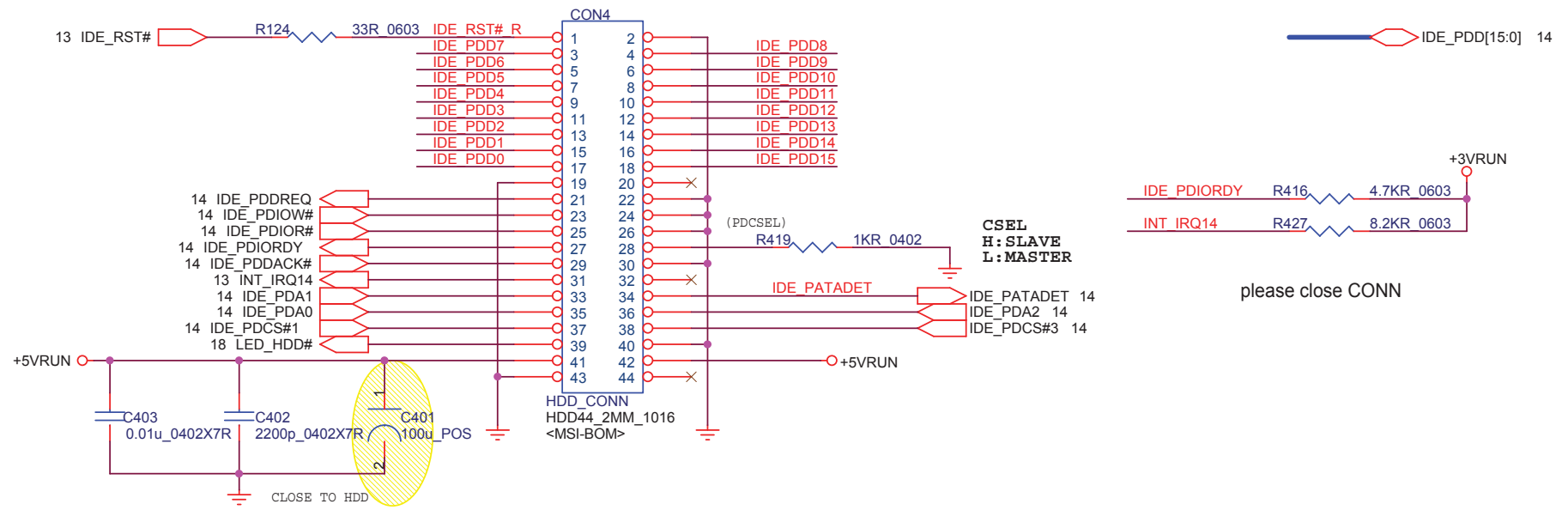


	BSEL0	BSEL1
Dothan-A FSB400	1	0
Dothan-A FSB533	0	0
Dothan-B	RA, X_RB	RC, X_RD

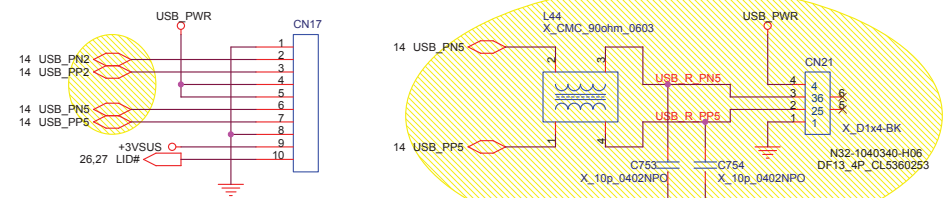
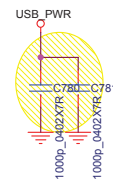
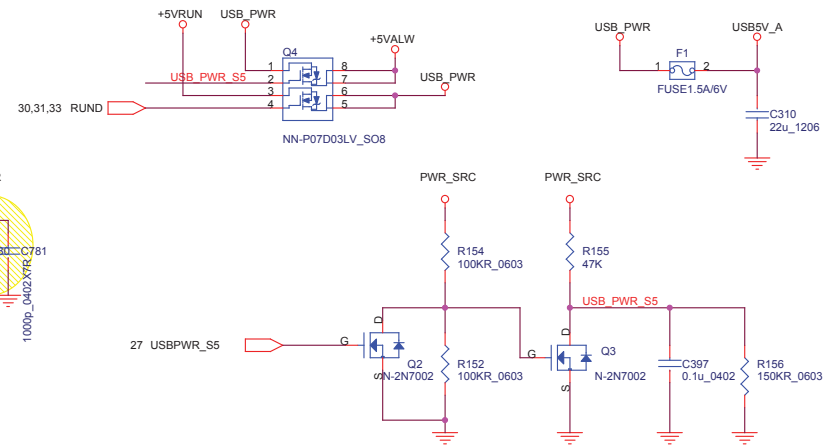
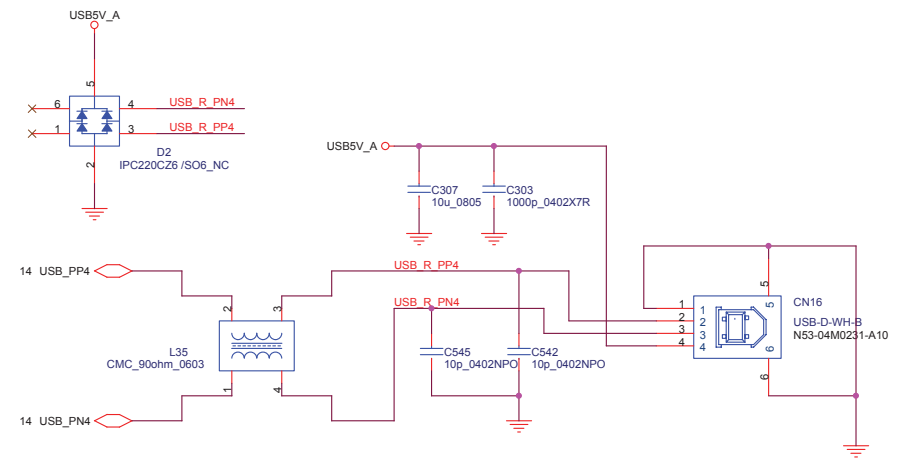
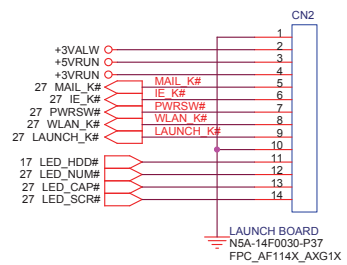
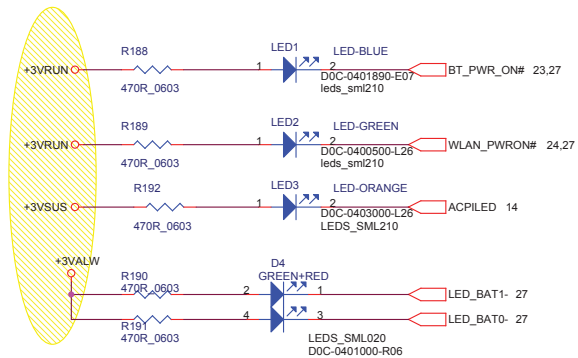
CK-BSEL Setting
 10 = FSB400 (BSEL0=1 BSEL1=0)
 00 = FSB533 (BSEL0=0 BSEL1=0)
 11 = Reserved (BSEL0=1 BSEL1=1)



MSI CORPORATION		
CLOCK GEN.		
Size	Document Number	Rev
A3		0A
Date:	Friday, May 20, 2005	Sheet 16 of 46

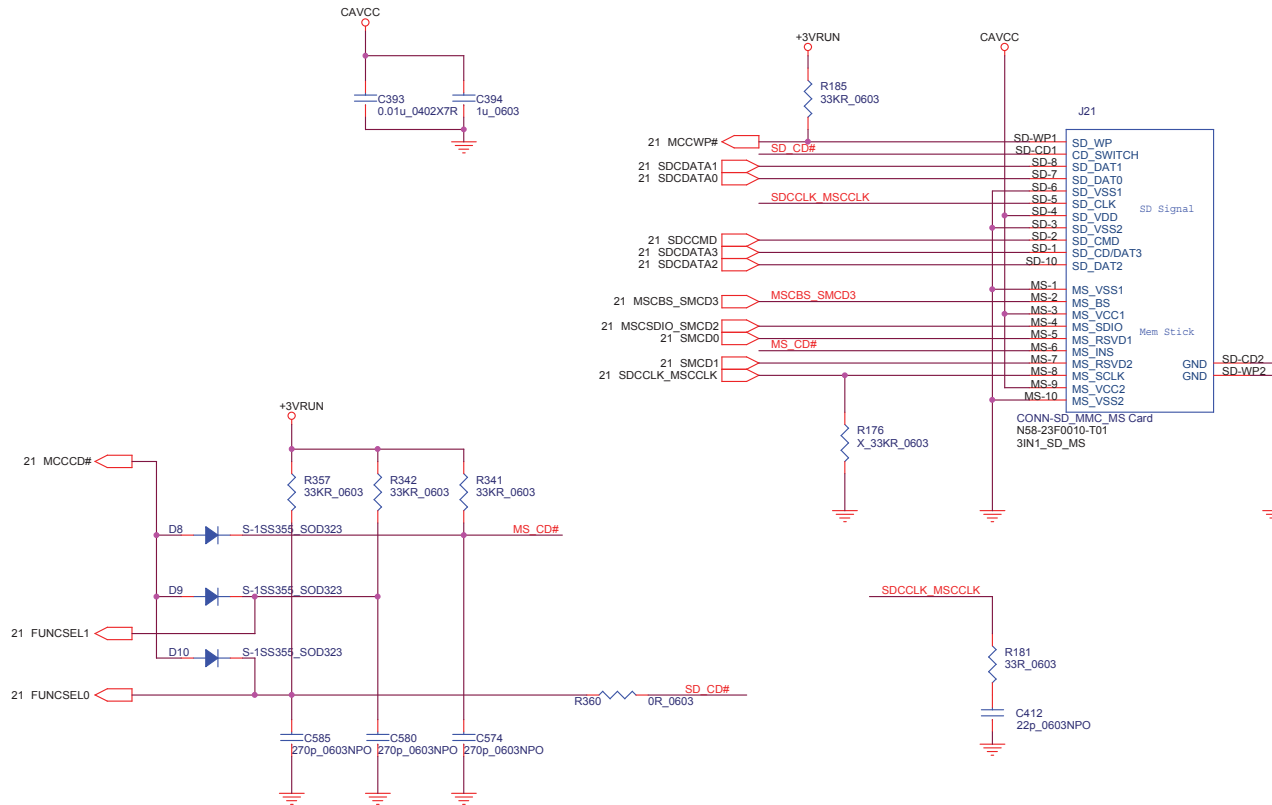


MSI CORPORATION		
Title		
HDD & CD-ROM		
Size	Document Number	Rev
A4		0A
Date:	Friday, May 20, 2005	Sheet 17 of 46



LCM_CONN
N32-1100090-H06
CON_B1101X_K26450

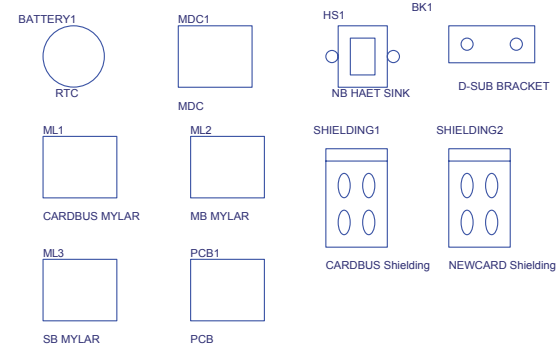
MSI CORPORATION		
Title USB & LED & SW		
Size Custom	Document Number	Rev 0A
Date: Friday, May 20, 2005	Sheet 18	of 46



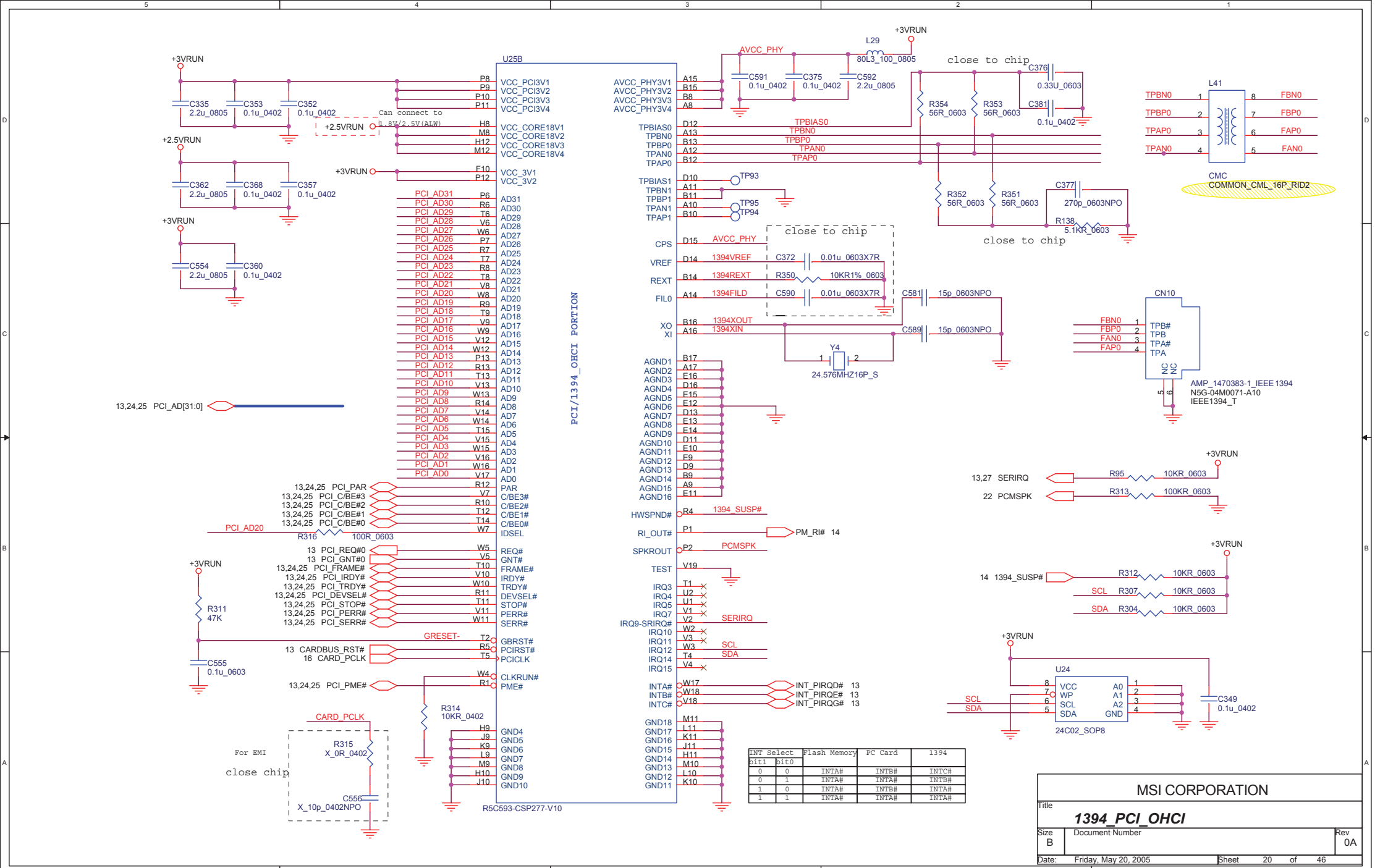
Memory Card Detect Logic Table

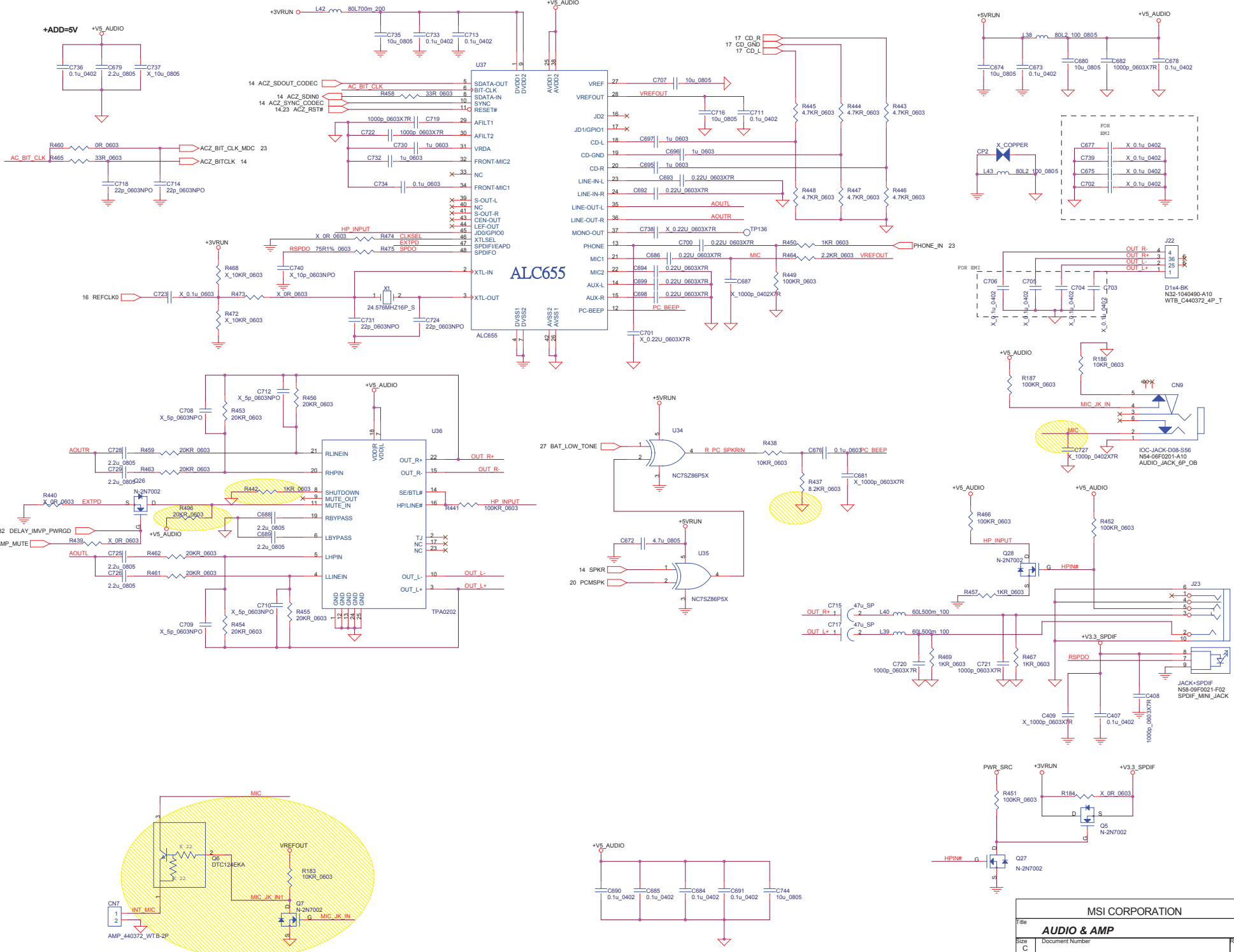
MS_CD#	SM_CD#	SD_CD#	->	Detected Card
0	0	0	->	INHIBIT
0	0	1	->	INHIBIT
0	1	0	->	INHIBIT
0	1	1	->	MemoryStick Detected
1	0	0	->	INHIBIT
1	0	1	->	SmartMedia Detected
1	1	0	->	SD/MMC Detected
1	1	1	->	Not Detected

DO NOT INSERT SMARTMEDIA, SD/MMC AND MEMORYSTICK SIMULTANEOUSLY.



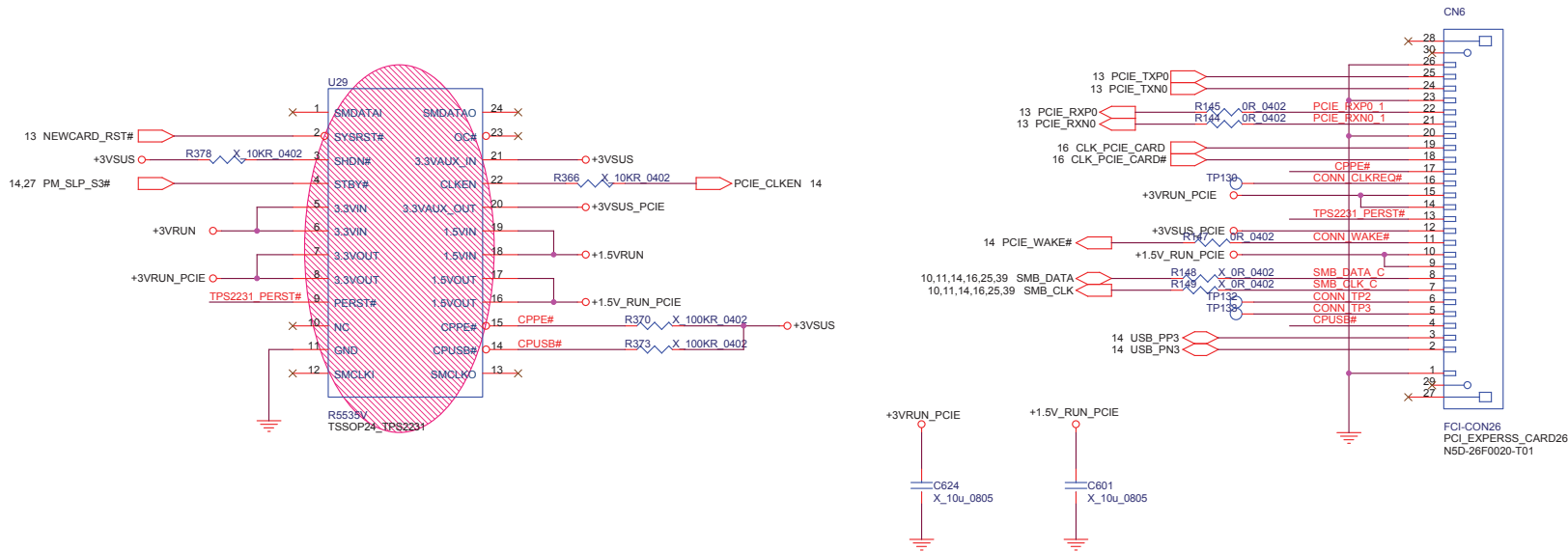
MSI CORPORATION		
Title FLASH CARD CONN.		
Size Custom	Document Number	Rev 0A
Date: Friday, May 20, 2005	Sheet 19 of 46	



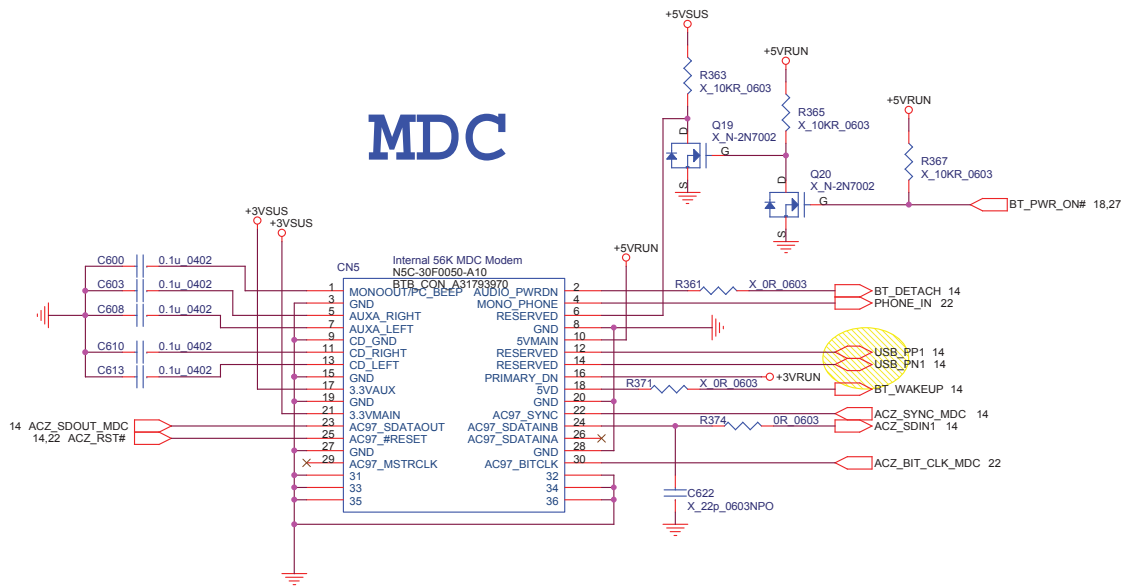


MSI CORPORATION		
Title	AUDIO & AMP	
Size	Document Number	Rev 0A
Date	Friday, May 20, 2005	Sheet 22 of 46

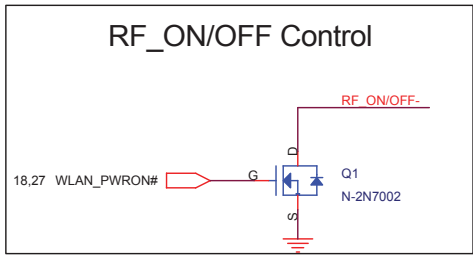
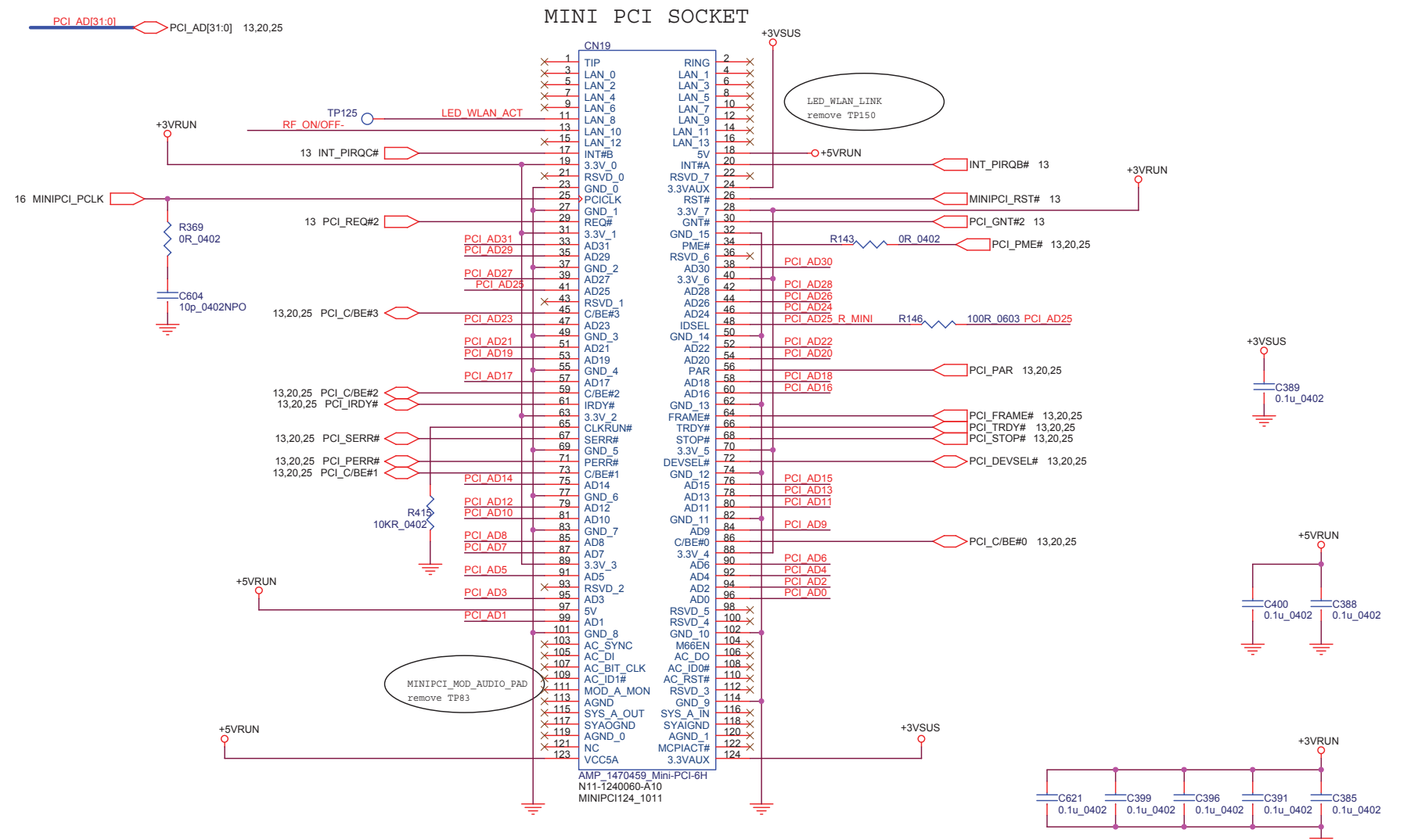
NEW CARD



MDC

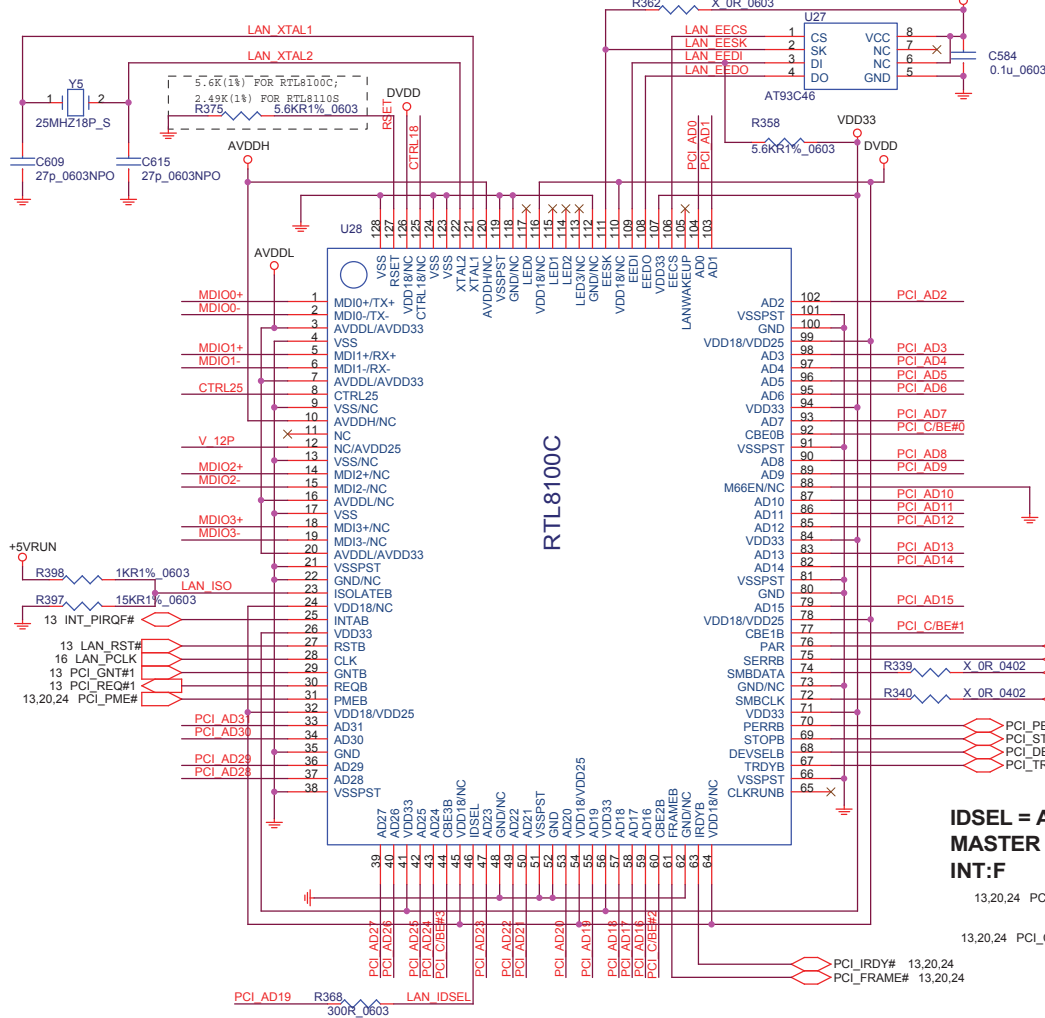


MSI CORPORATION		
Title		
MDC/NEW CARD		
Size	Document Number	Rev
Custom		0A
Date	Friday, May 20, 2005	Sheet 23 of 46



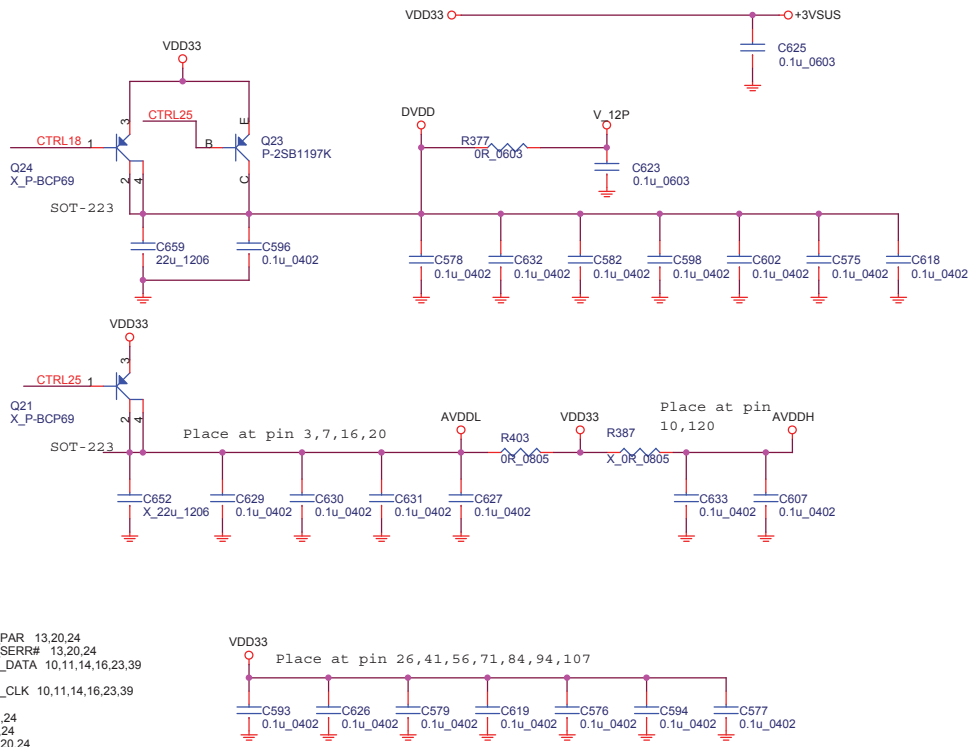
MSI CORPORATION		
Title		
MINI-PCI		
Size	Document Number	Rev
B		0A
Date:	Friday, May 20, 2005	Sheet 24 of 46

PCI LAN RTL8110S/8100C



RTL8110C

LAN EEPROM



IDSEL = AD27
MASTER = PREQ#3
INT:F



Part Value Selection:

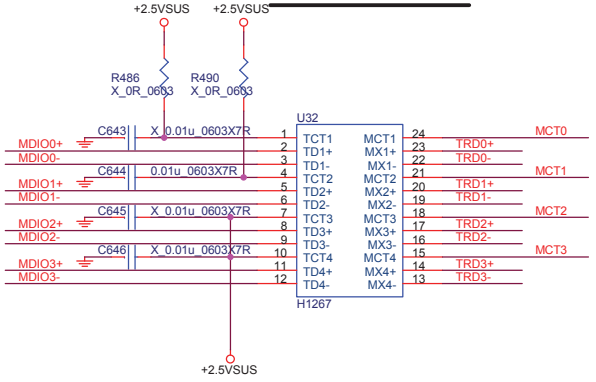
	DVDD	DVDDA	AVDDL	AVDDH	V-12P
8100C	2.5V	2.5V	3.3V	X	2.5V
8110S	1.8V	1.8V	2.5V	3.3V	X

GbE: 8110S LAN(1000M)
TE: 8100C LAN(10/100M)
L: With LAN option
X: No Stuff

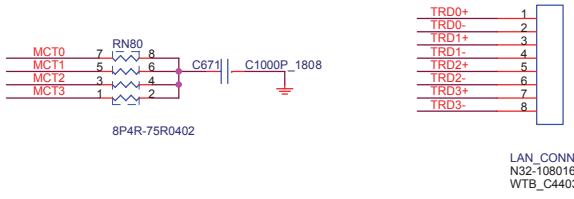
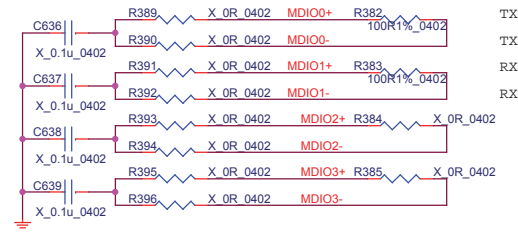
	DVDD	DVDDA	AVDDL	AVDDH	V-12P
8100C	2.5V	2.5V	3.3V	X	2.5V
8110S	1.8V	1.8V	2.5V	3.3V	X

NOT INSTALL	BCM4401
	C175 C178
	R500 R501
Transformer	H1267

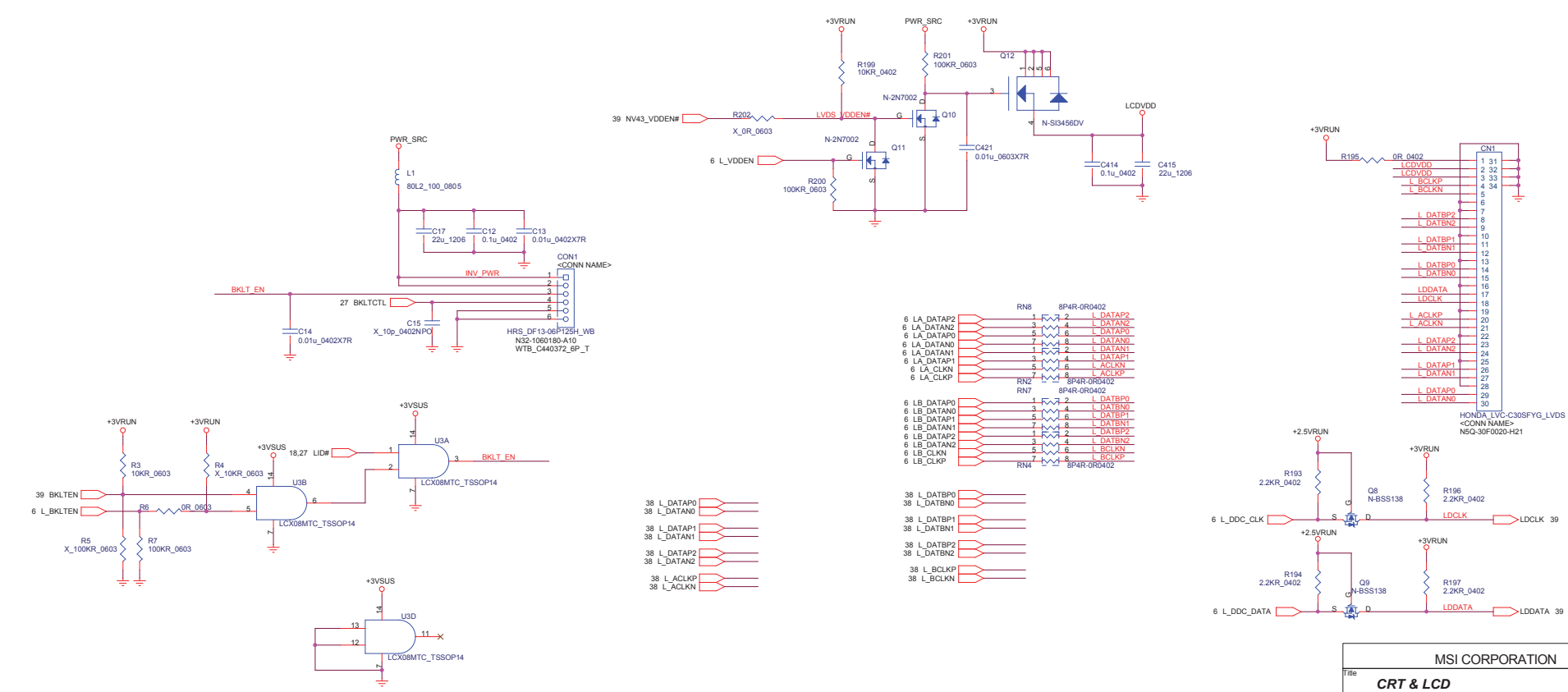
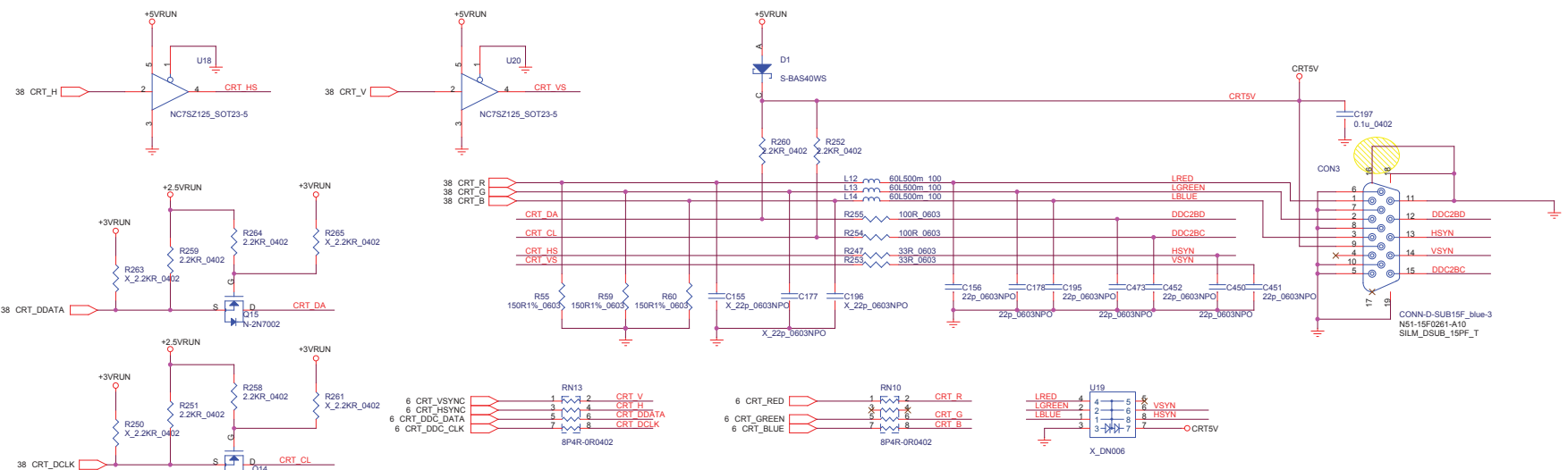
LAN MAGNETICS



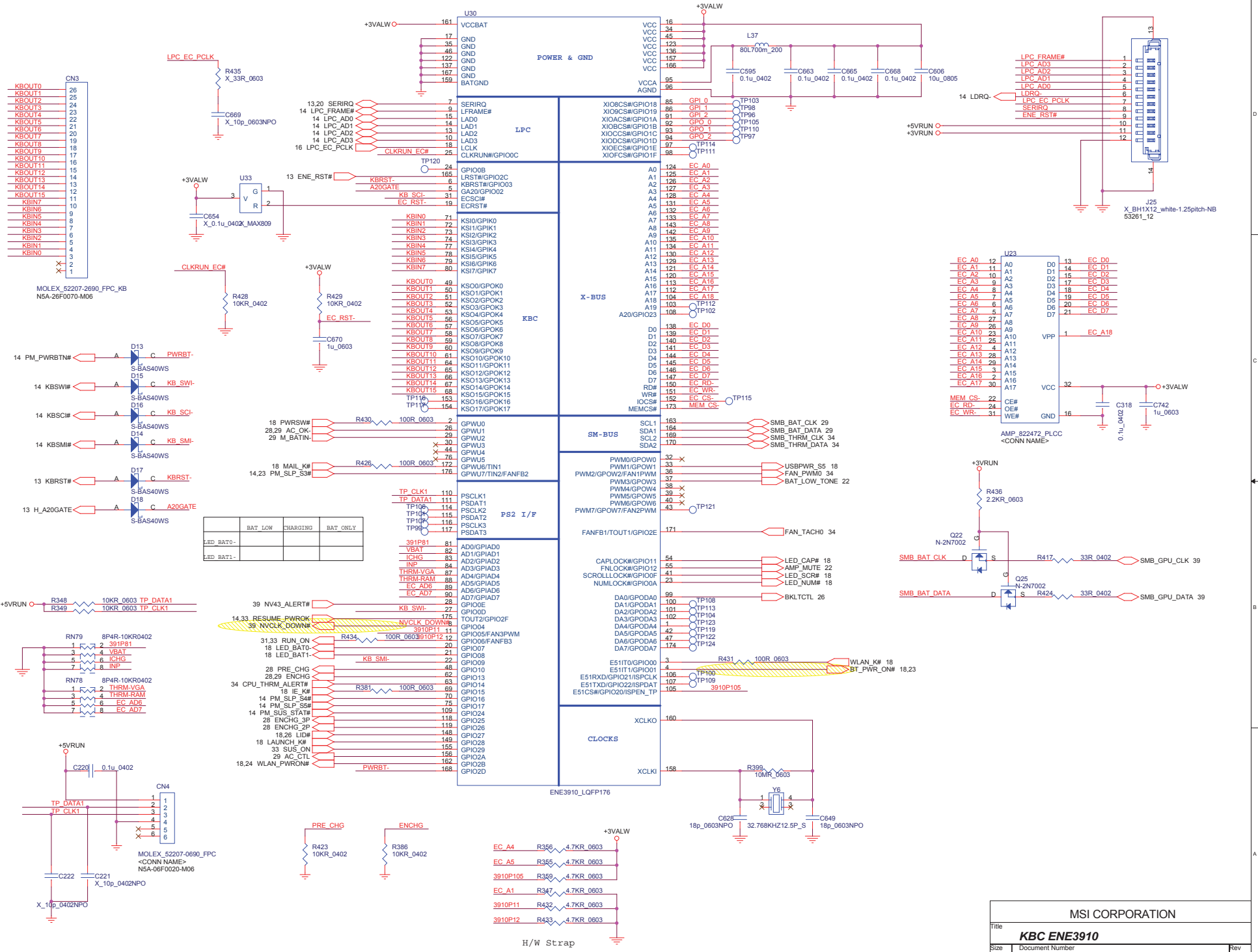
1- MDIO+ & MDIO- pairs should be 100-ohm differential impedance. Route equal length and symmetrically. Separate every pairs.



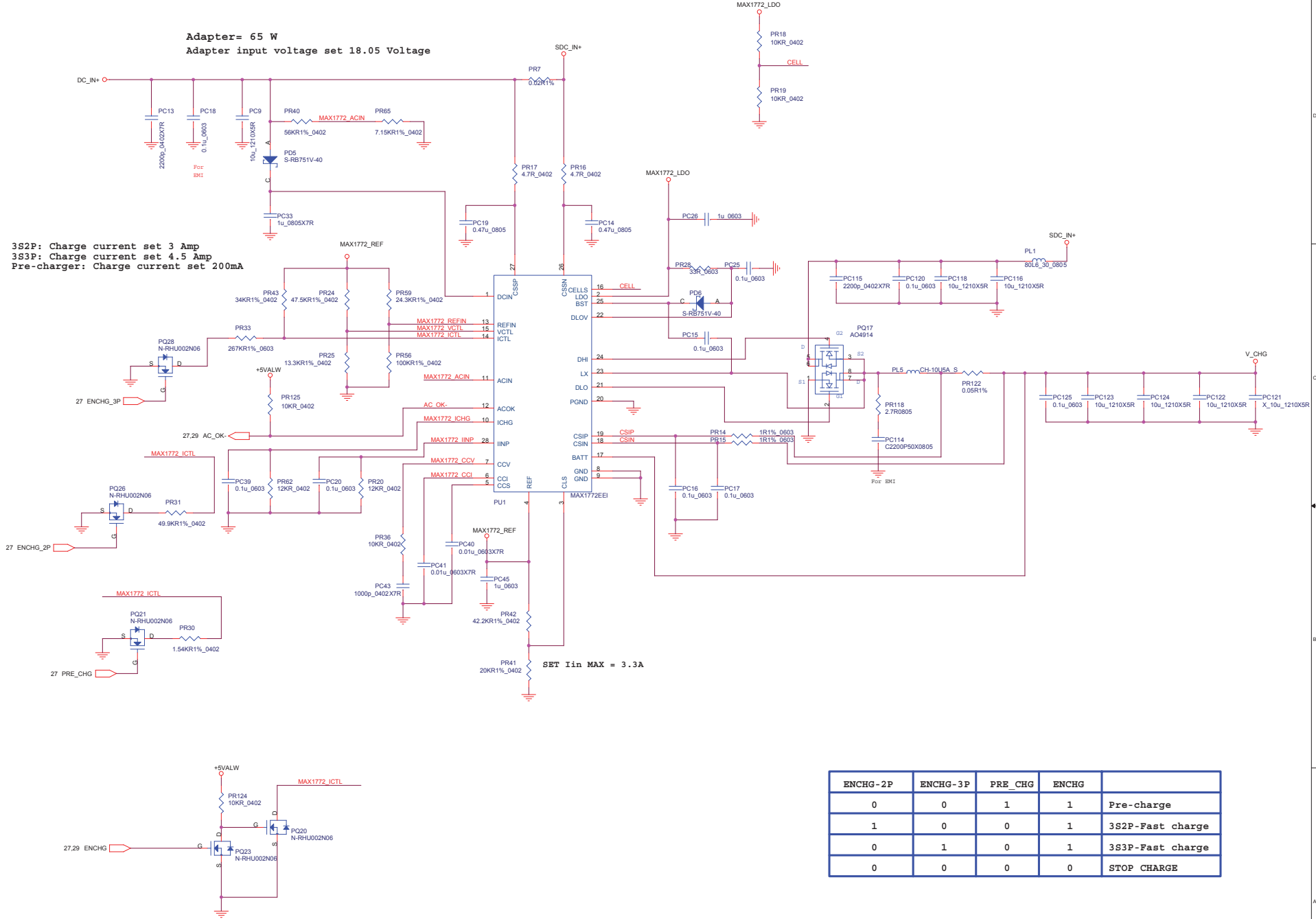
MSI CORPORATION		
Title	LAN	
Size	Document Number	Rev
A3		0A
Date:	Friday, May 20, 2005	Sheet 25 of 46



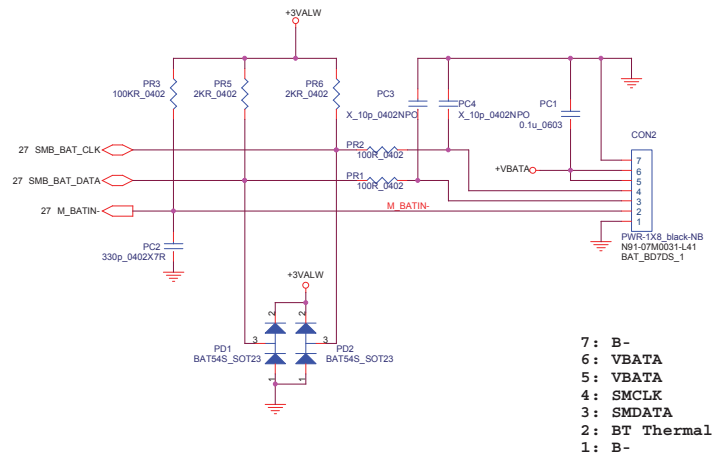
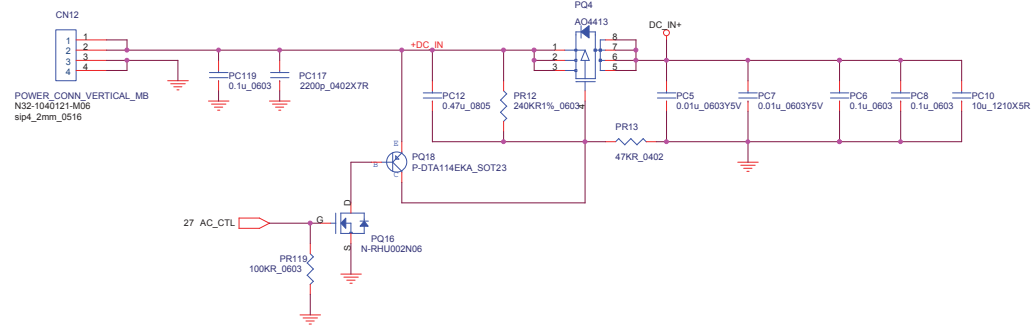
MSI CORPORATION		
Title CRT & LCD		
Size C	Document Number	Rev 0A
Date Friday, May 20, 2005	Sheet 26	of 46



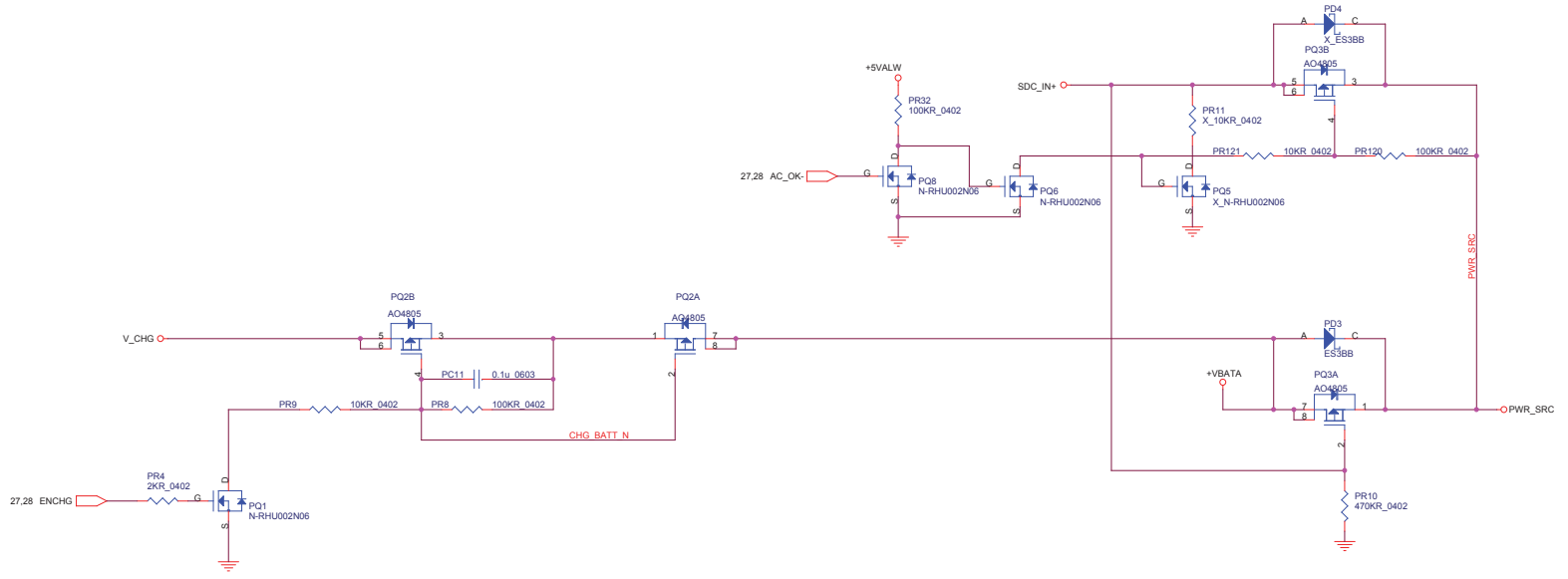
MSI CORPORATION		
KBC ENE3910		
Title	Document Number	Rev
Size	Custom	0A
Date	Friday, May 20, 2005	Sheet 27 of 46



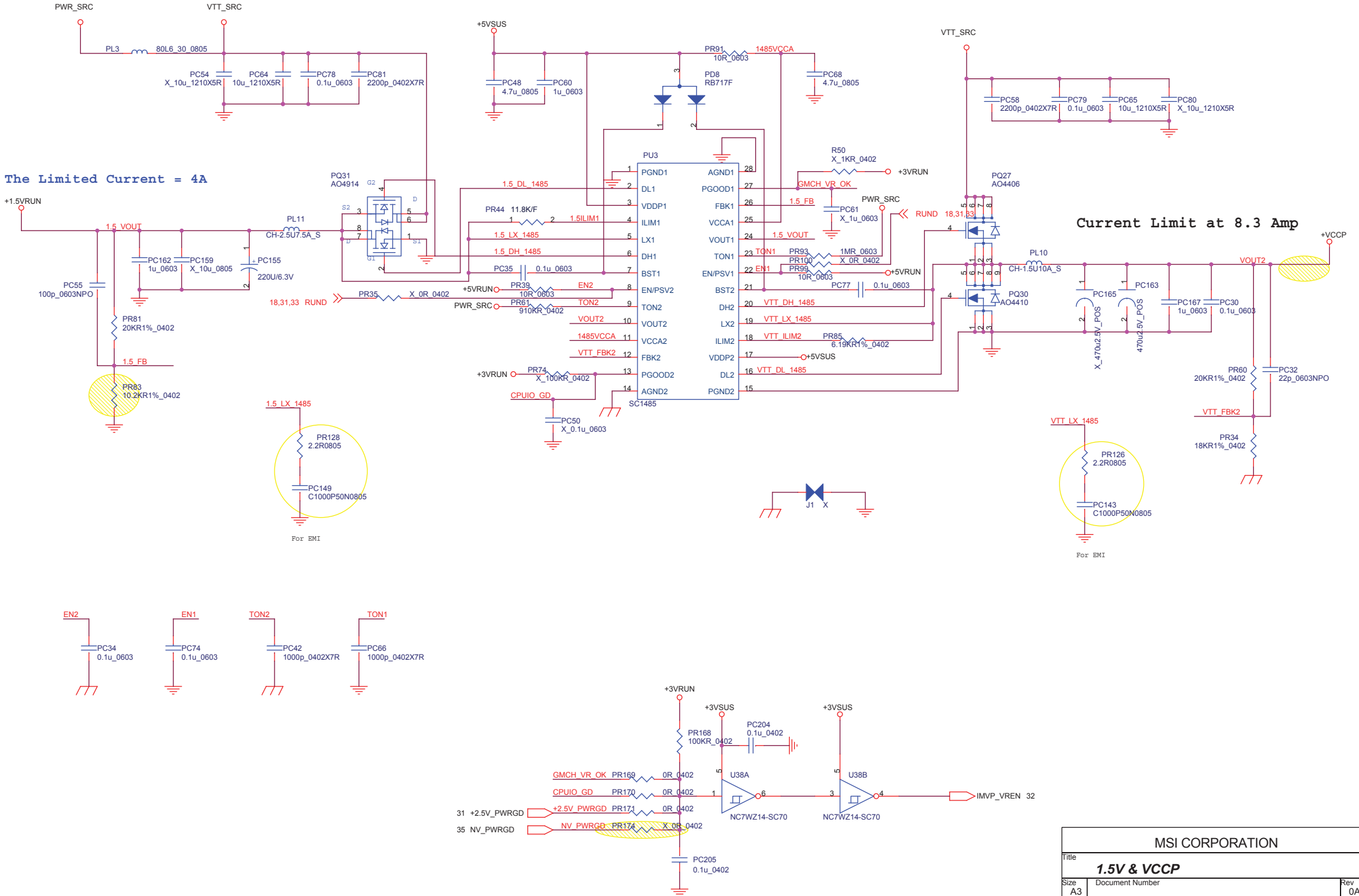
MSI CORPORATION		
Title Charger		
Size C	Document Number	Rev 0A
Date Friday, May 20, 2005	Sheet 28	of 46



- 7 : B-
- 6 : VBATA
- 5 : VBATA
- 4 : SMCLK
- 3 : SMDATA
- 2 : BT Thermal
- 1 : B-



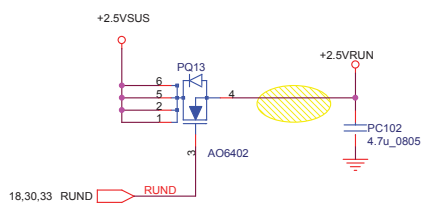
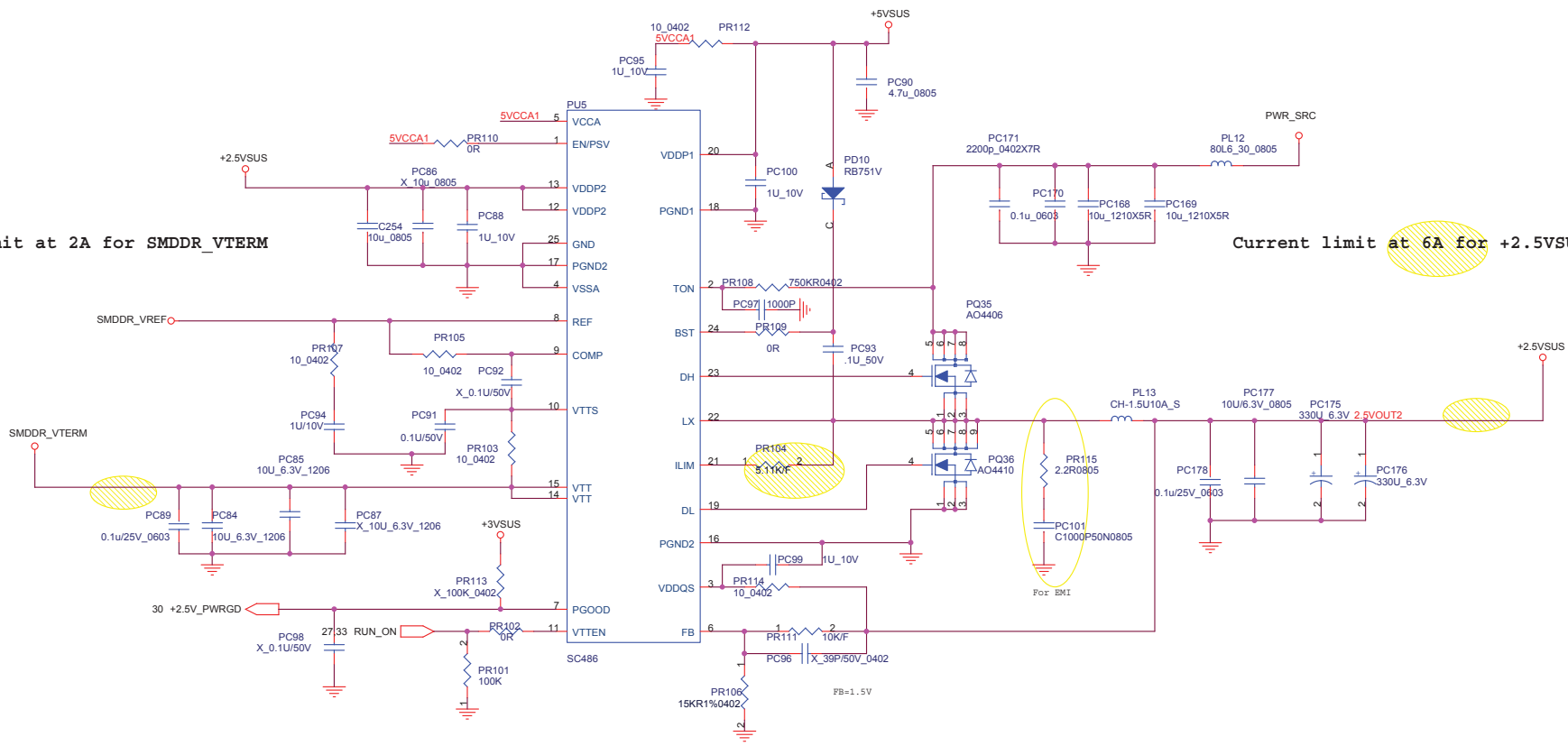
MSI CORPORATION		
Title	Battery Select	
Size	Document Number	Rev 0A
Date	Friday, May 20, 2005	Sheet 29 of 46



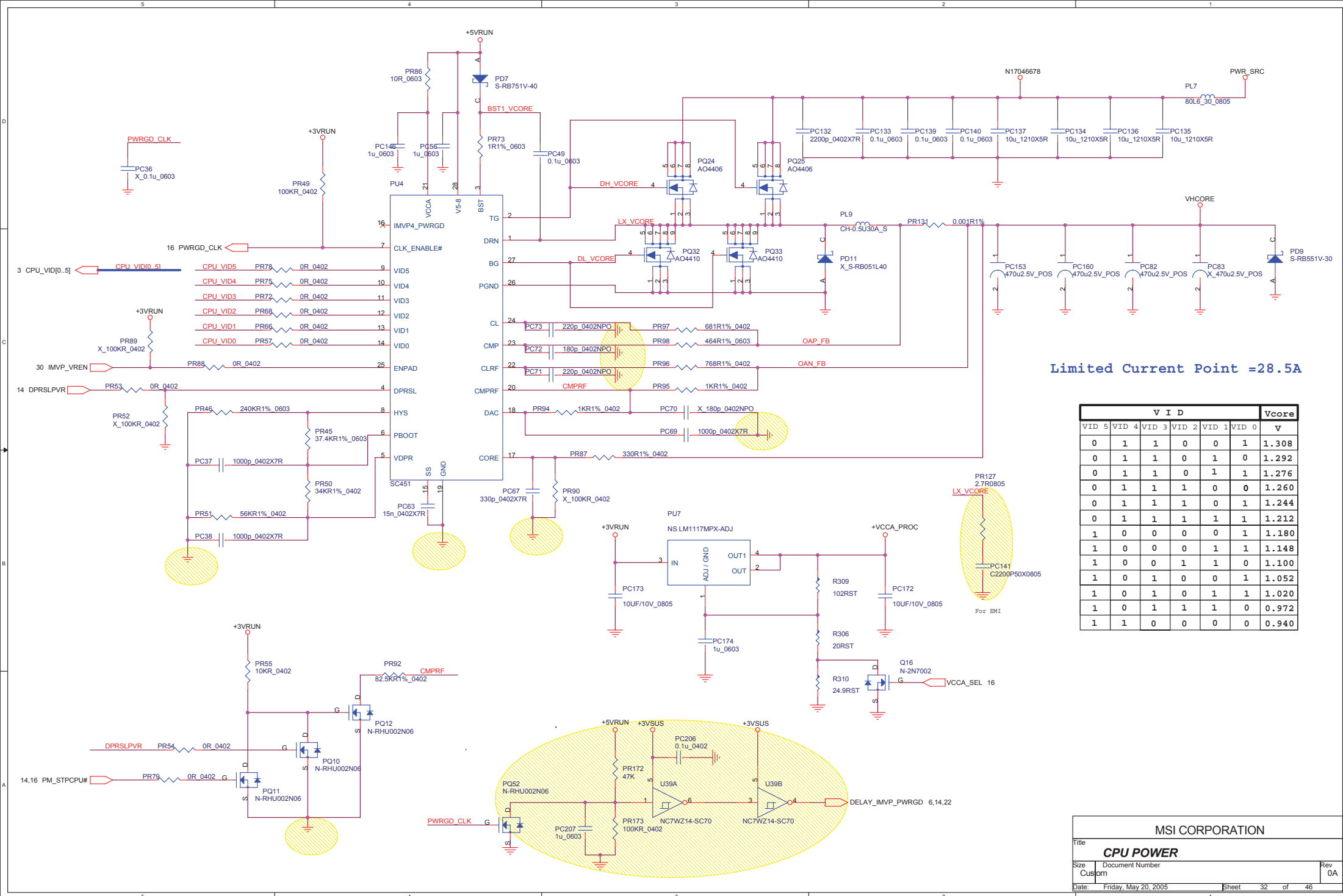
MSI CORPORATION		
Title 1.5V & VCCP		
Size A3	Document Number	Rev 0A
Date: Friday, May 20, 2005	Sheet 30 of 46	

Current limit at 2A for SMDDR_VTERM

Current limit at 6A for +2.5VSUS



		MICRO-STAR INT'L CO.,LTD.	
Title: DDR POWER			
Size: Custom	Document Number:		Rev: 0.A
Date: Friday, May 20, 2005	Sheet: 31	of 46	



Limited Current Point =28.5A

MSI CORPORATION

Title: **CPU POWER**

Size: Custom

Date: Friday, May 20, 2005

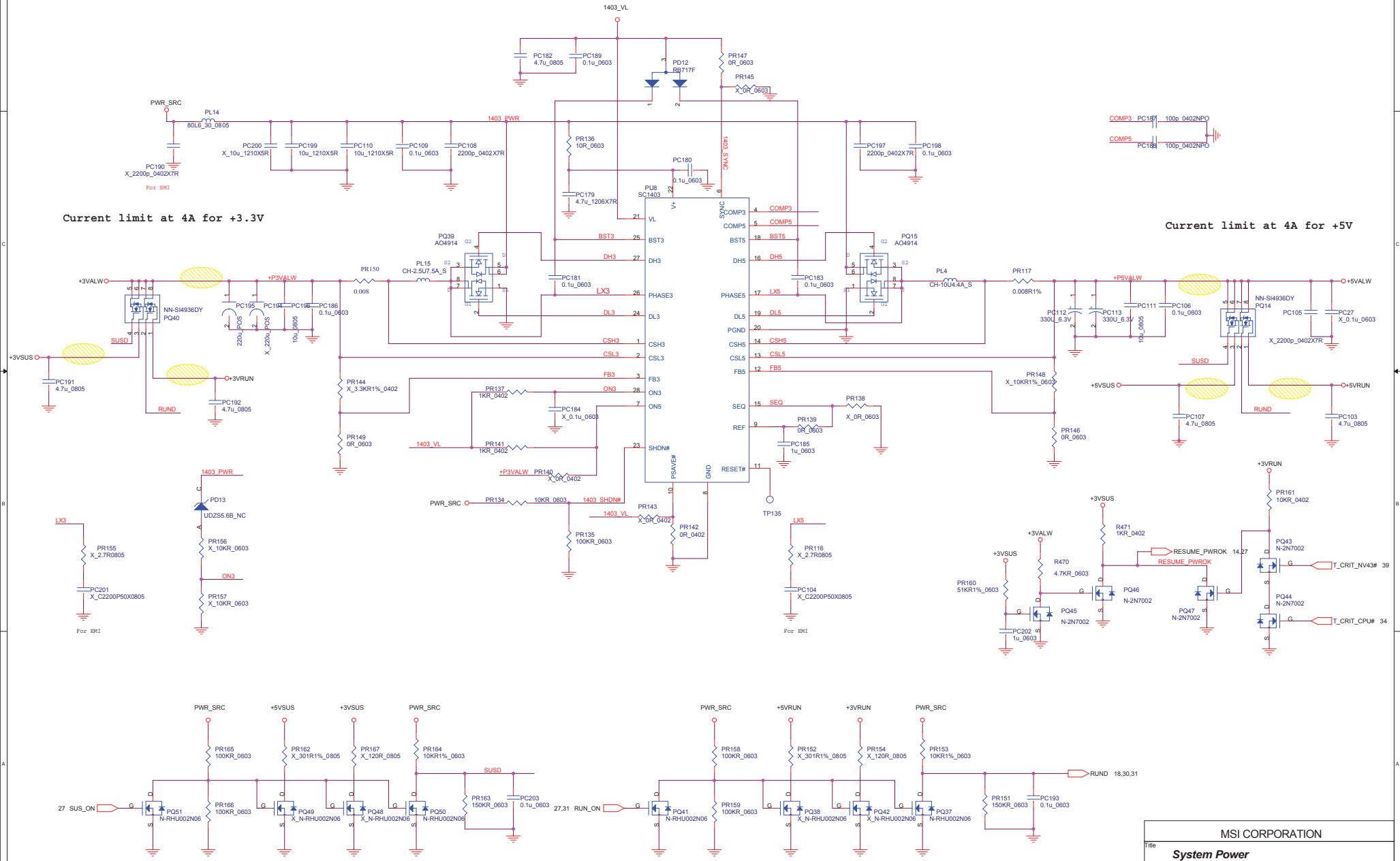
Document Number: [Blank]

Rev: 0A

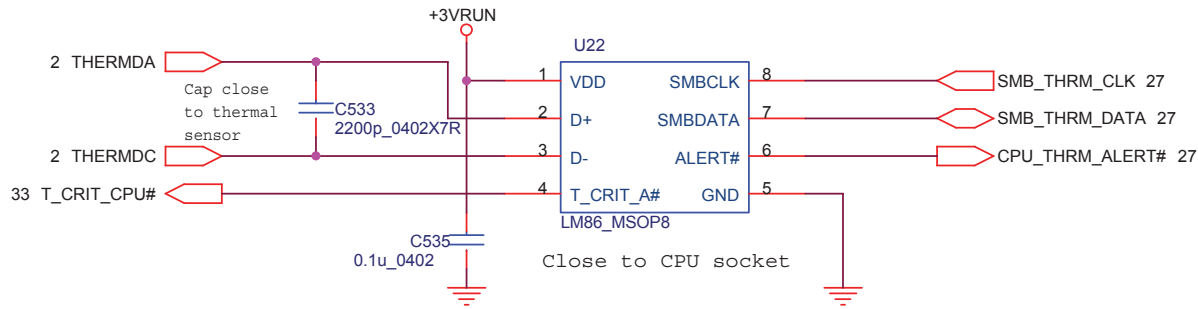
Sheet: 32 of 46

Current limit at 4A for +3.3V

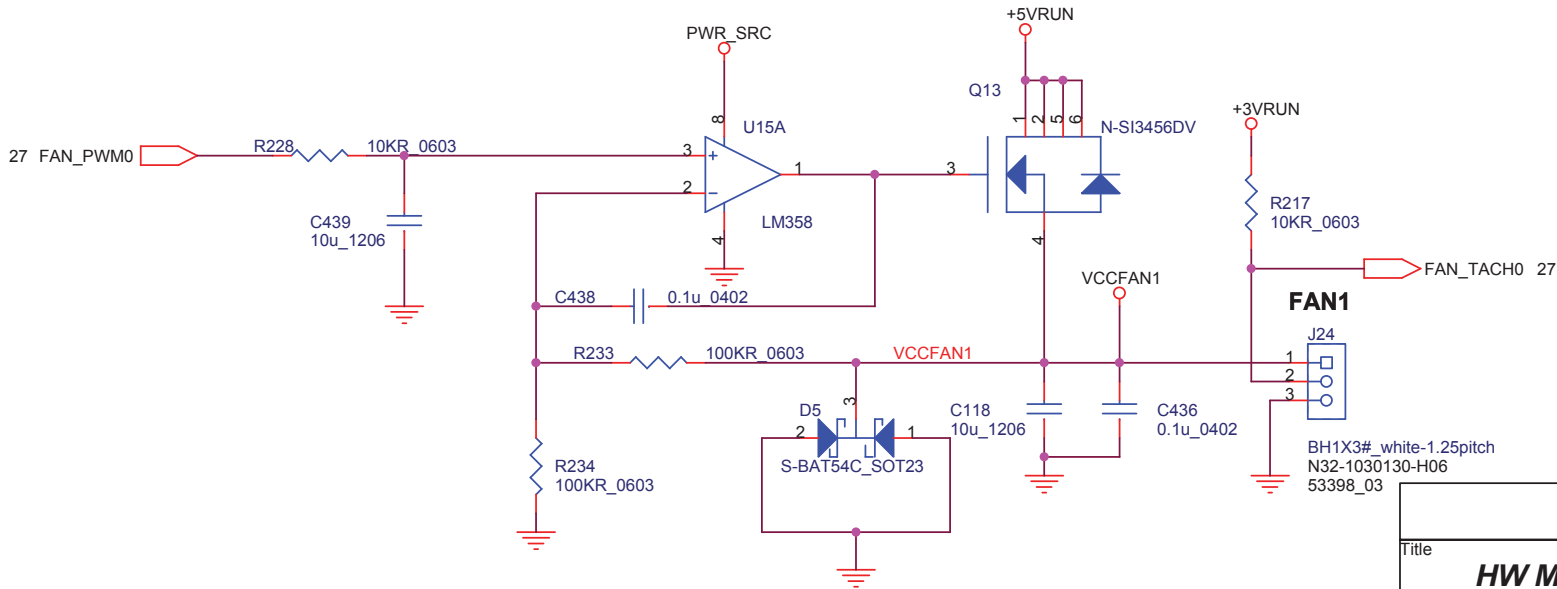
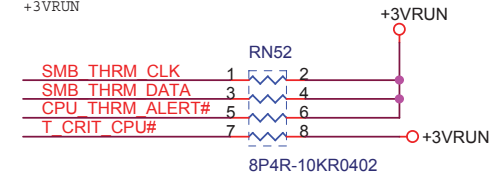
Current limit at 4A for +5V



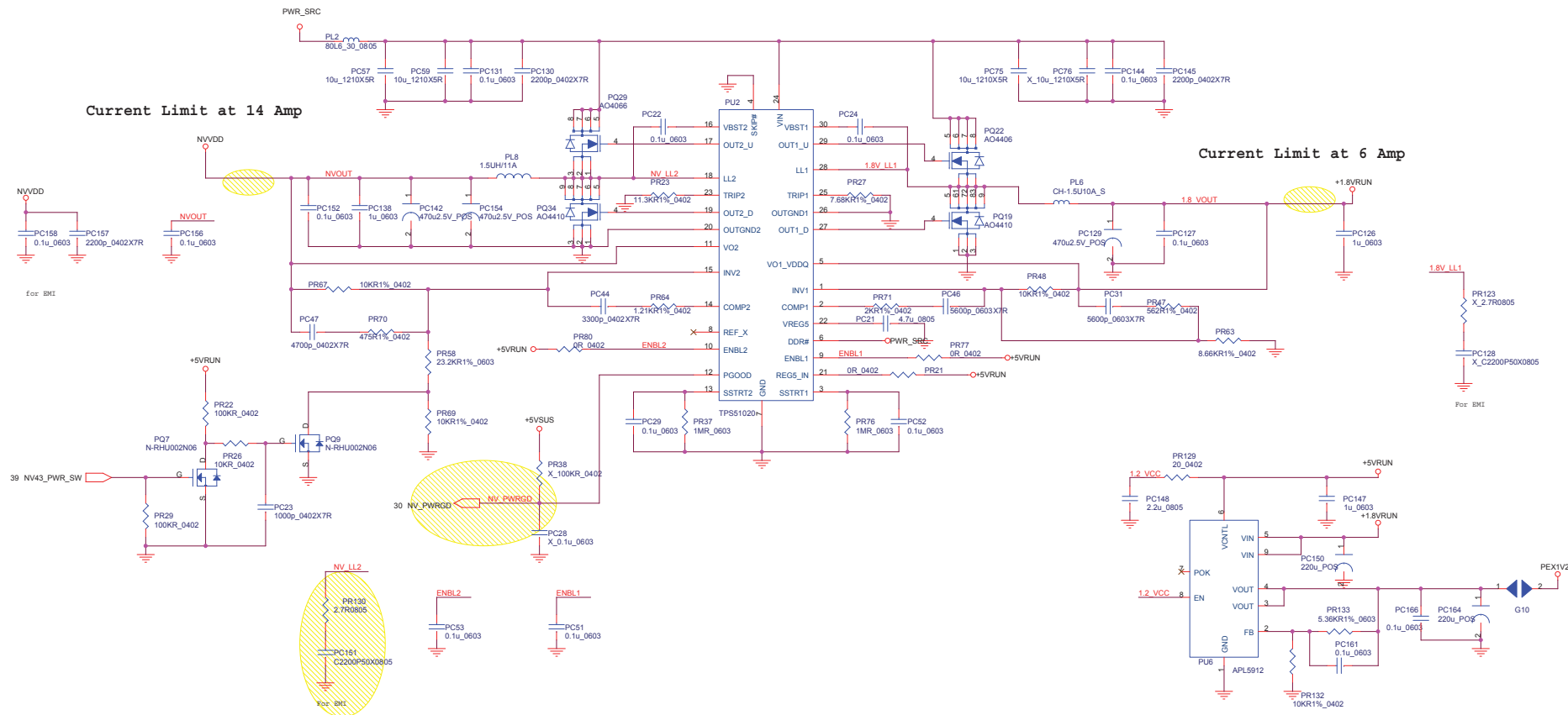
MSI CORPORATION		
Title System Power		
Size C	Document Number	Rev 0A
Date Friday, May 20, 2005	Sheet 33	of 46



for leakage issue changed form +3VRUN



MSI CORPORATION		
Title		
HW Monitor		
Size A4	Document Number	Rev 0A
Date: 2005 May 20, 2005		
Sheet 34 of 46		



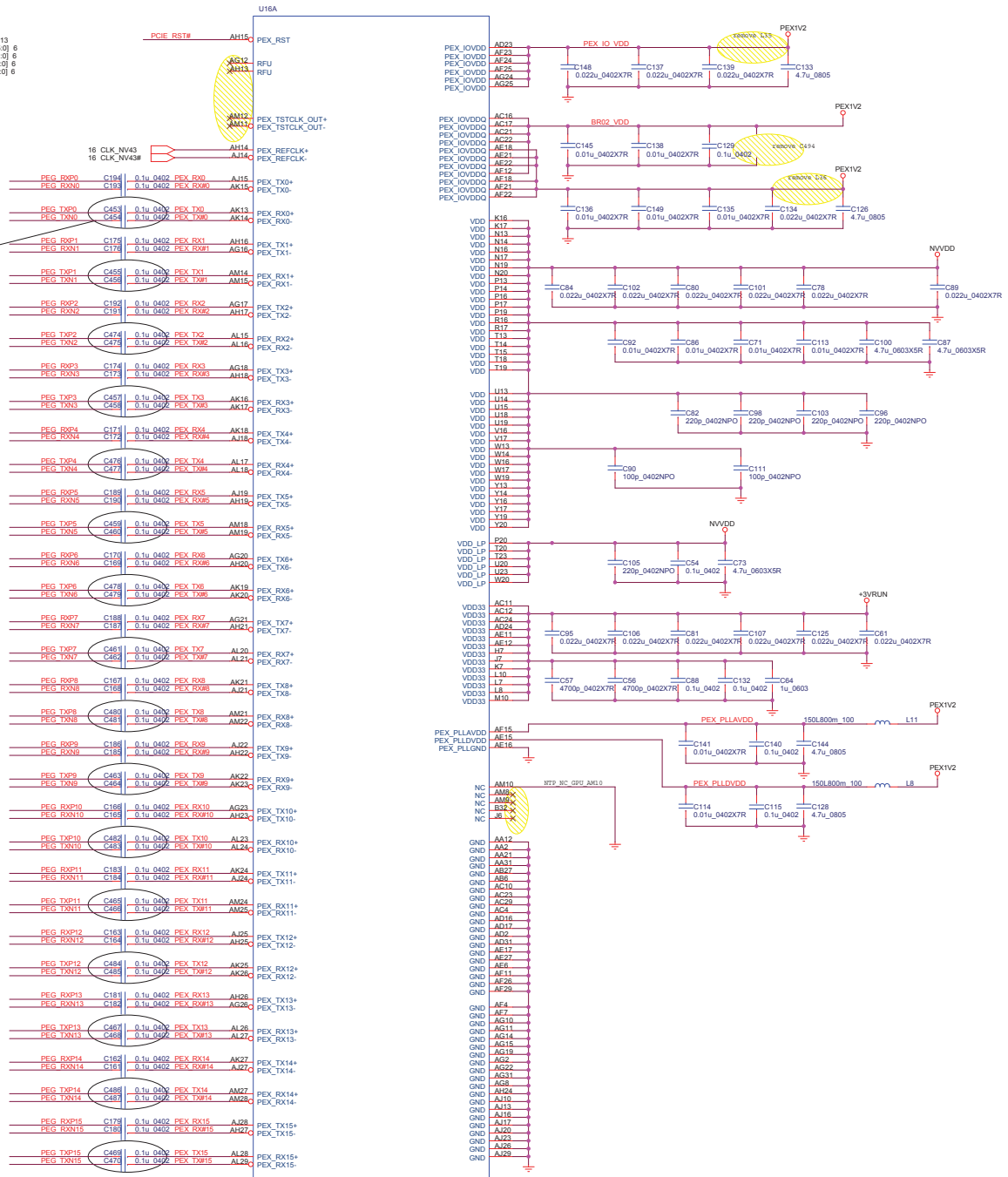
Current Limit at 14 Amp

Current Limit at 6 Amp

POW_SW	NV43
1	1.05V
0	1.15V

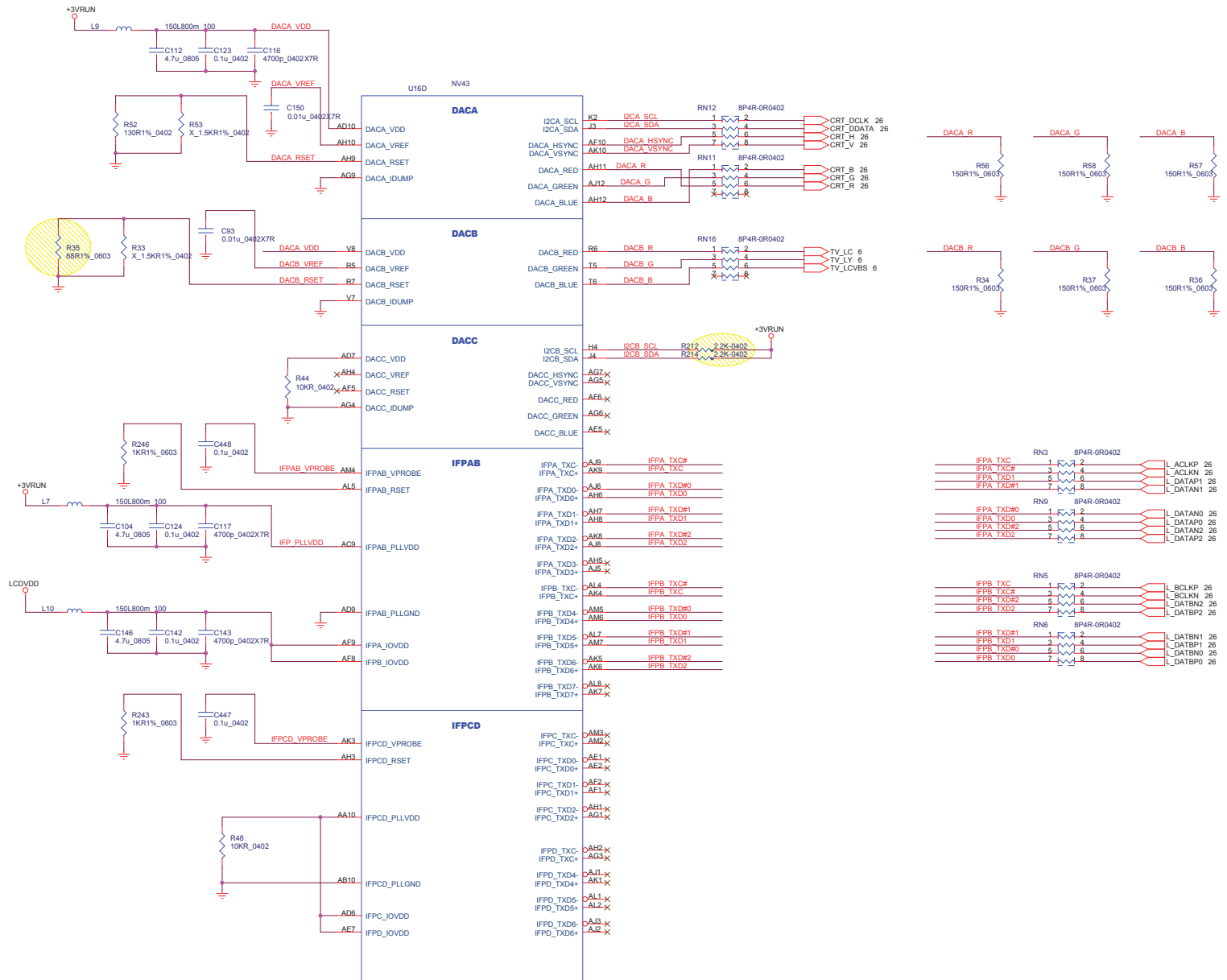
> PCIE_RST# 13
 > PEG_RXN15[0] 8
 > PEG_RXP15[0] 6
 > PEG_TXN15[0] 8
 > PEG_TXP15[0] 6

← CLOSE TO NB

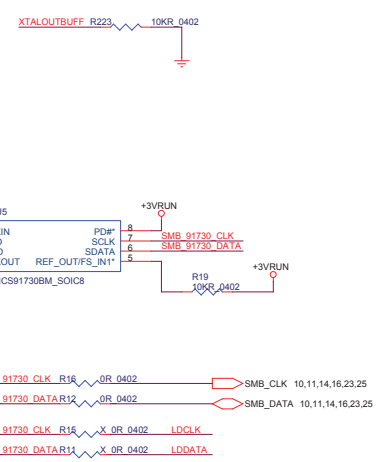
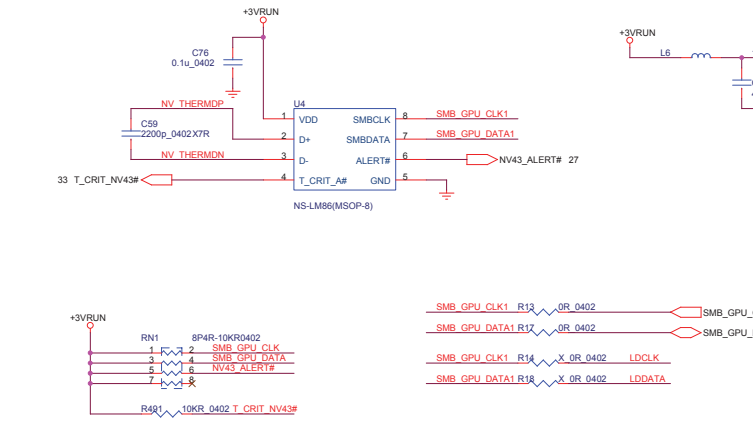
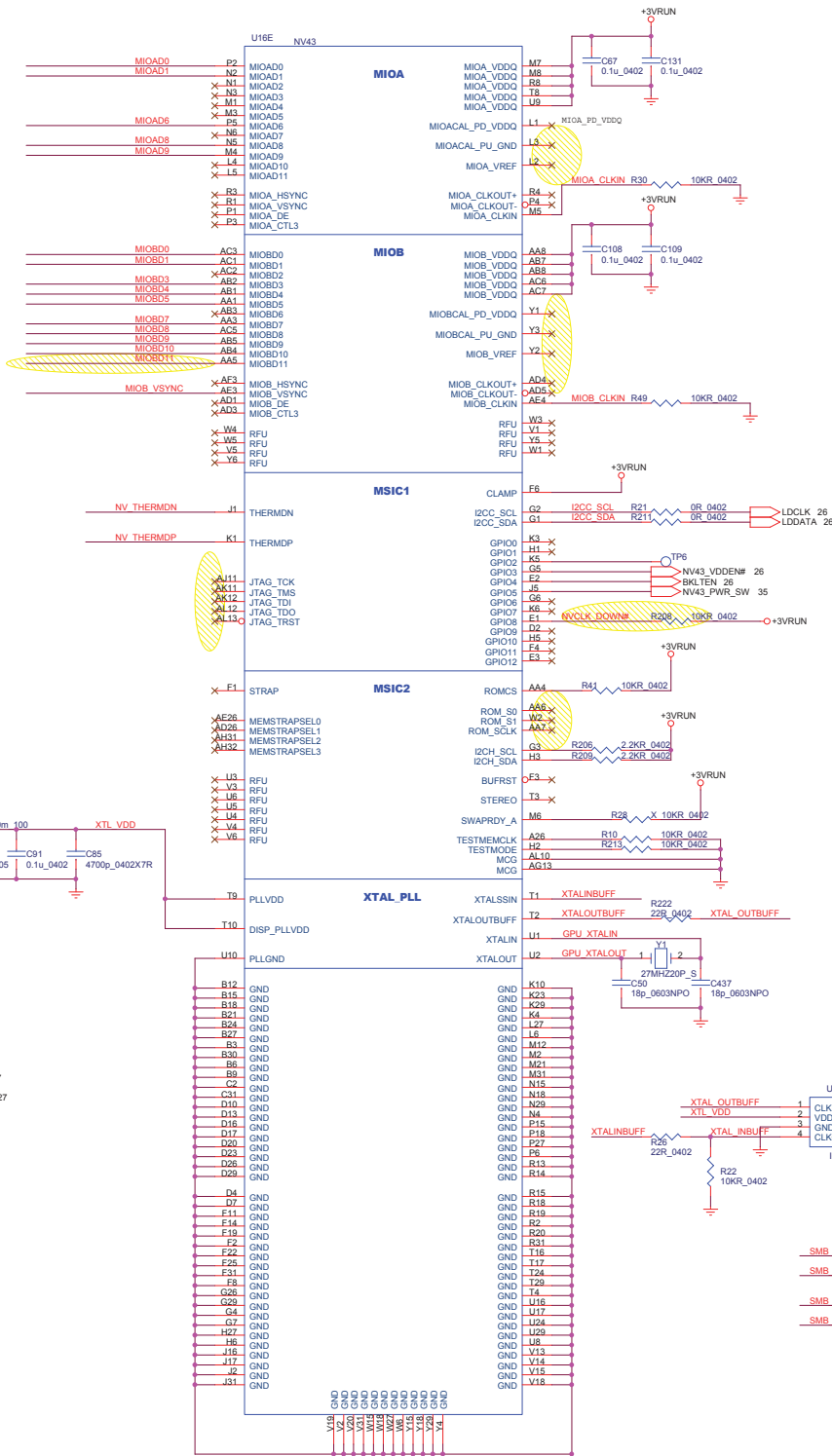


NV43

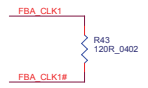
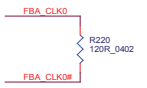
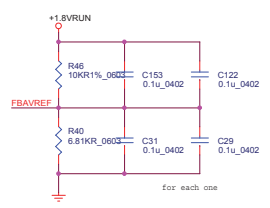
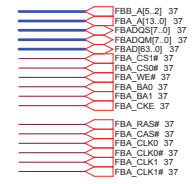
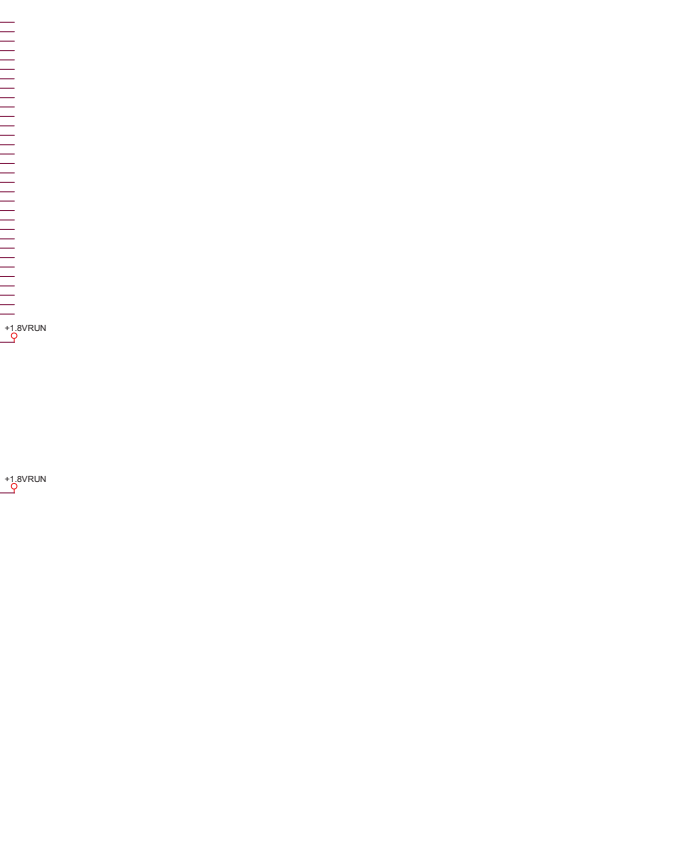
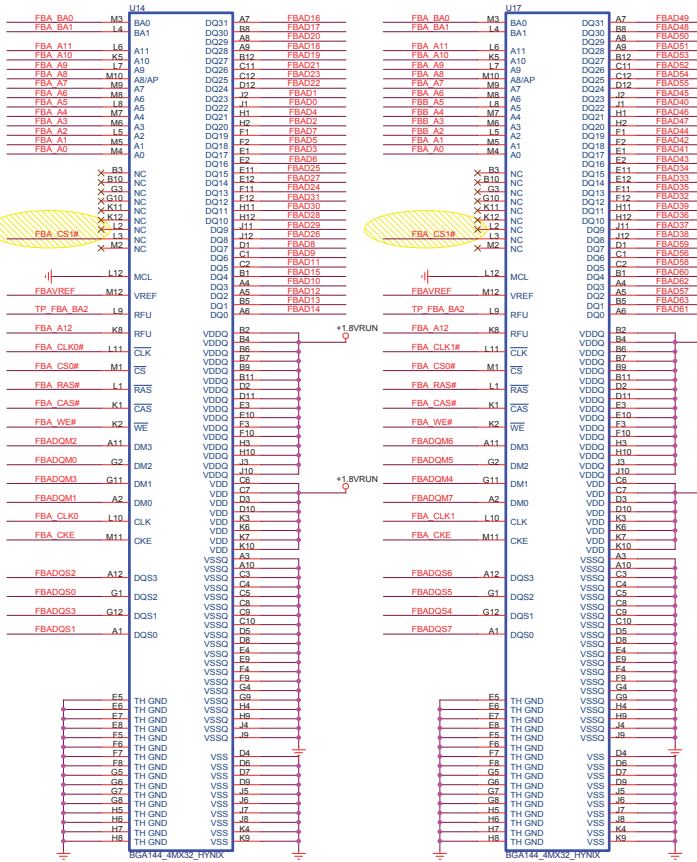
MSI CORPORATION		
Title	VGA1	
Size	Document Number	Rev
Date	Customer	DA
Friday, May 20, 2005	Sheet	38 of 46

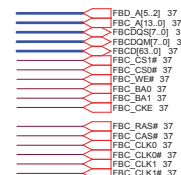
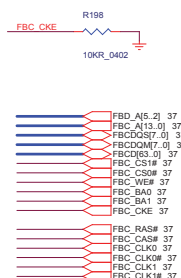
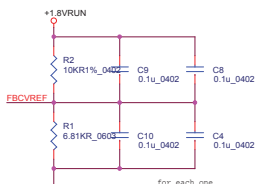
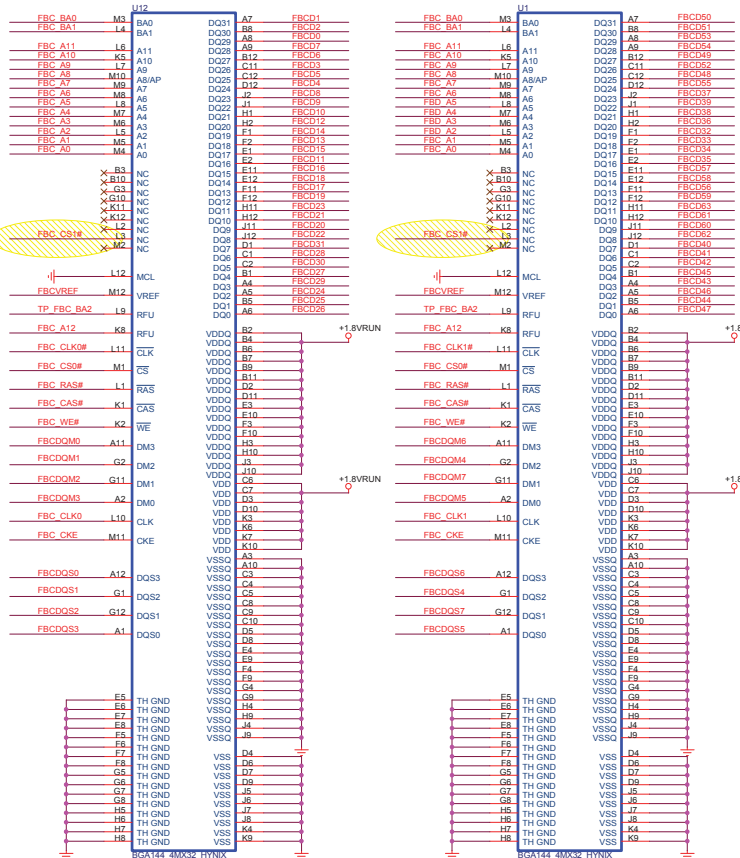


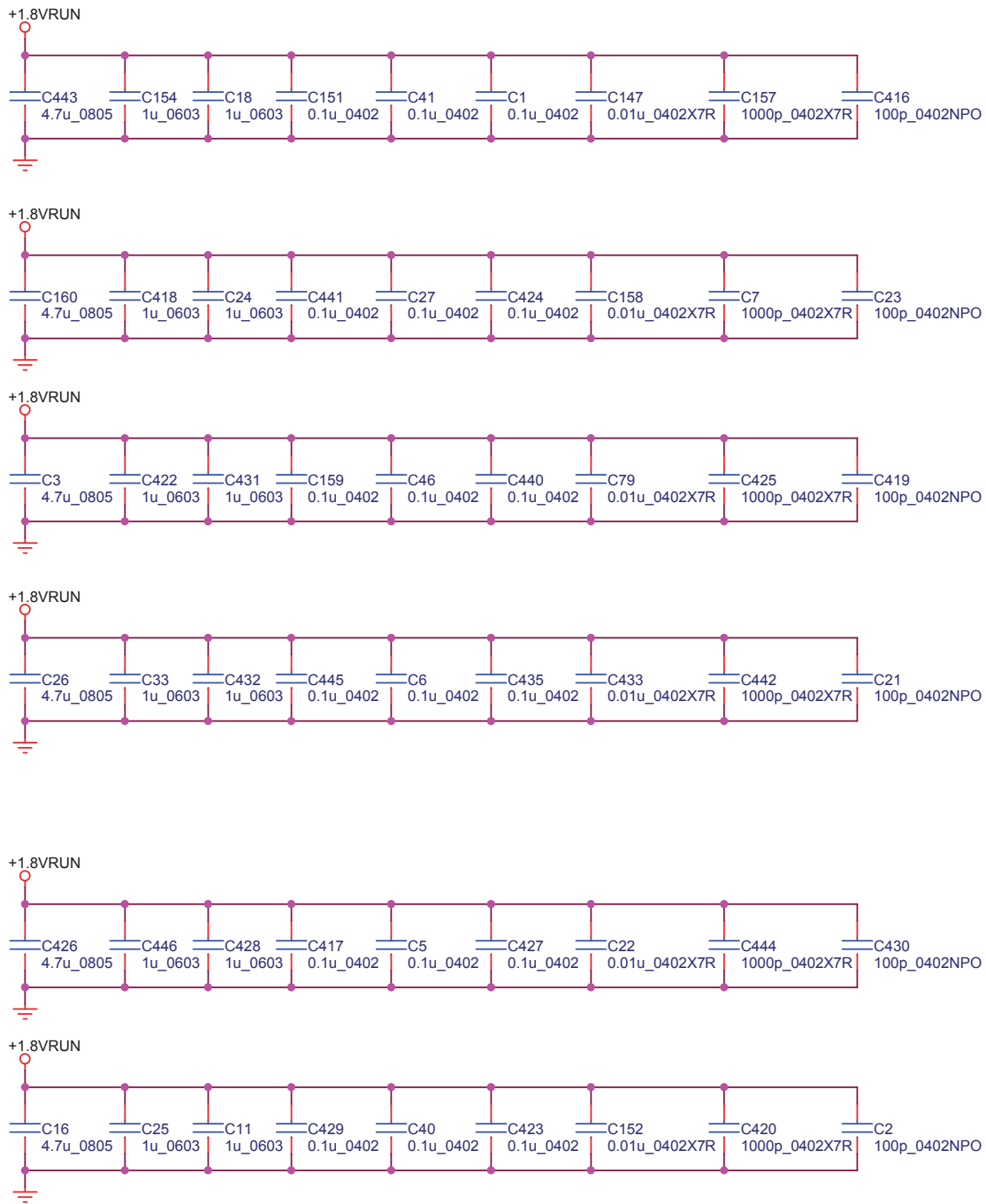
MSI CORPORATION		
Title		
VGA3		
Size	Document Number	Rev
C		0A
Date	Friday, May 20, 2005	Sheet 38 of 46



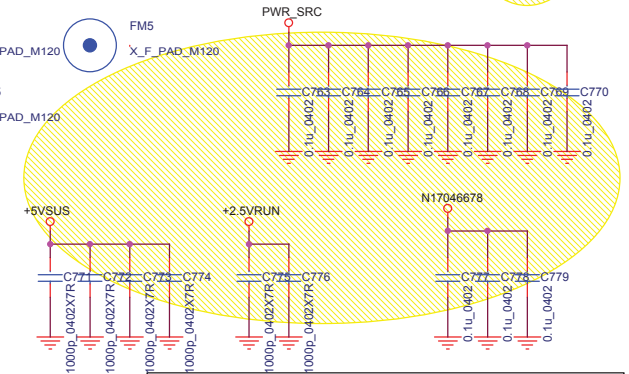
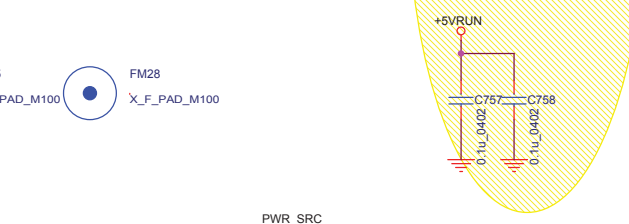
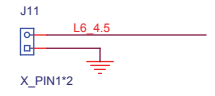
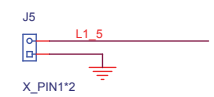
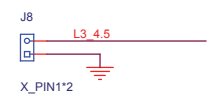
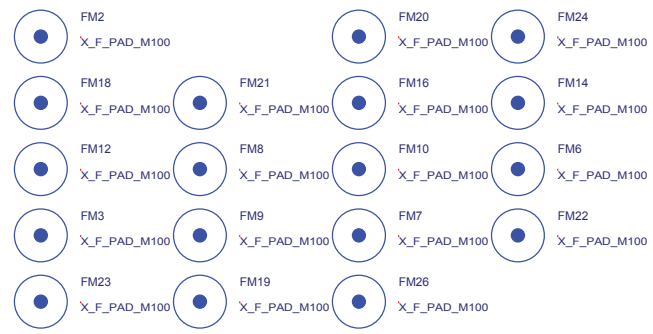
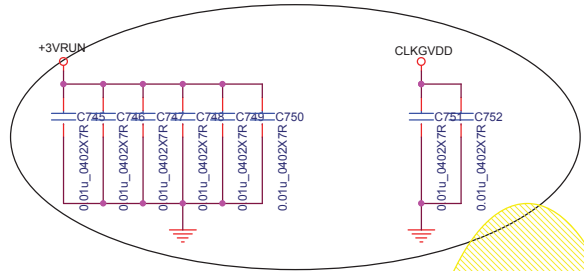
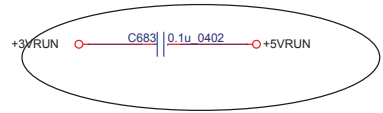
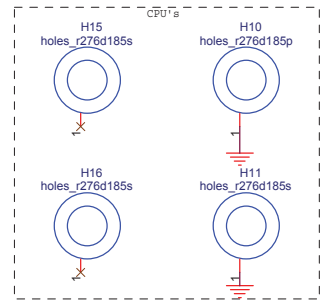
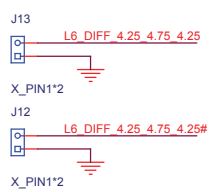
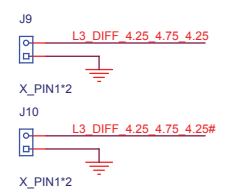
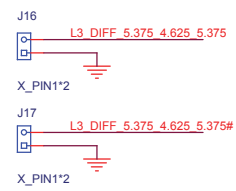
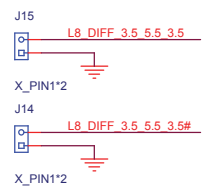
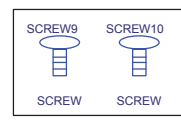
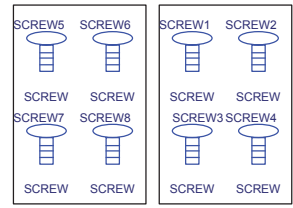
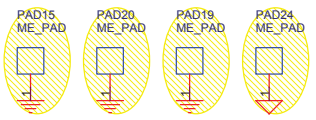
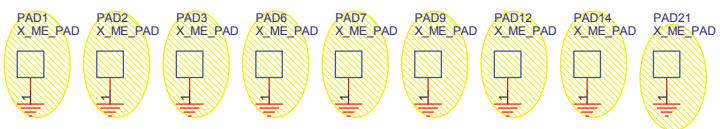
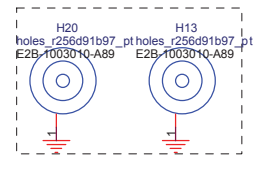
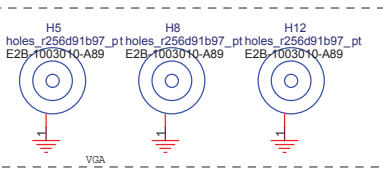
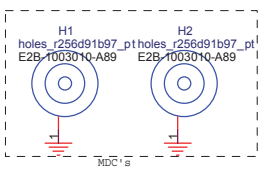
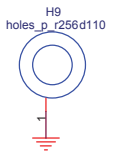
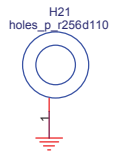
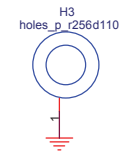
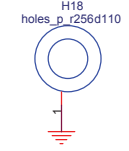
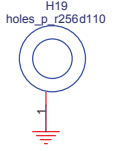
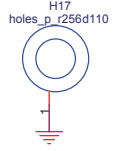
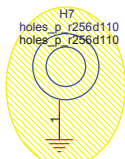
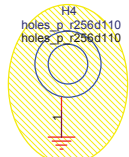
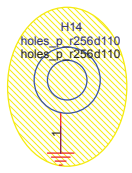
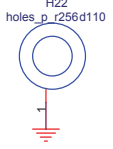
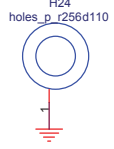
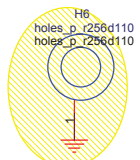
MSI CORPORATION			
Title: VGA4			
Size: C	Document Number:	Rev: 0A	
Date: Friday, May 20, 2005	Sheet: 39	of 46	





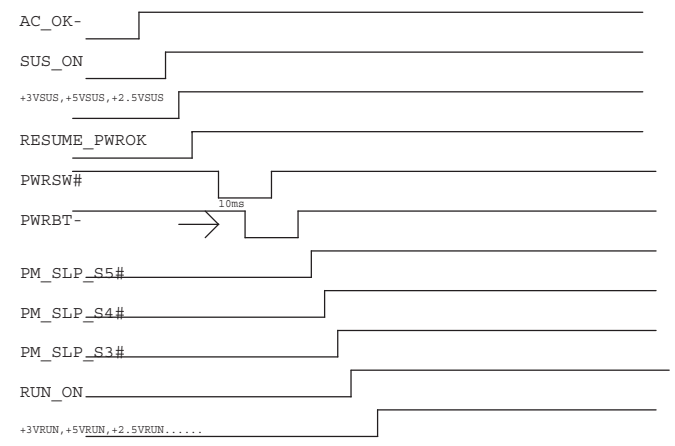
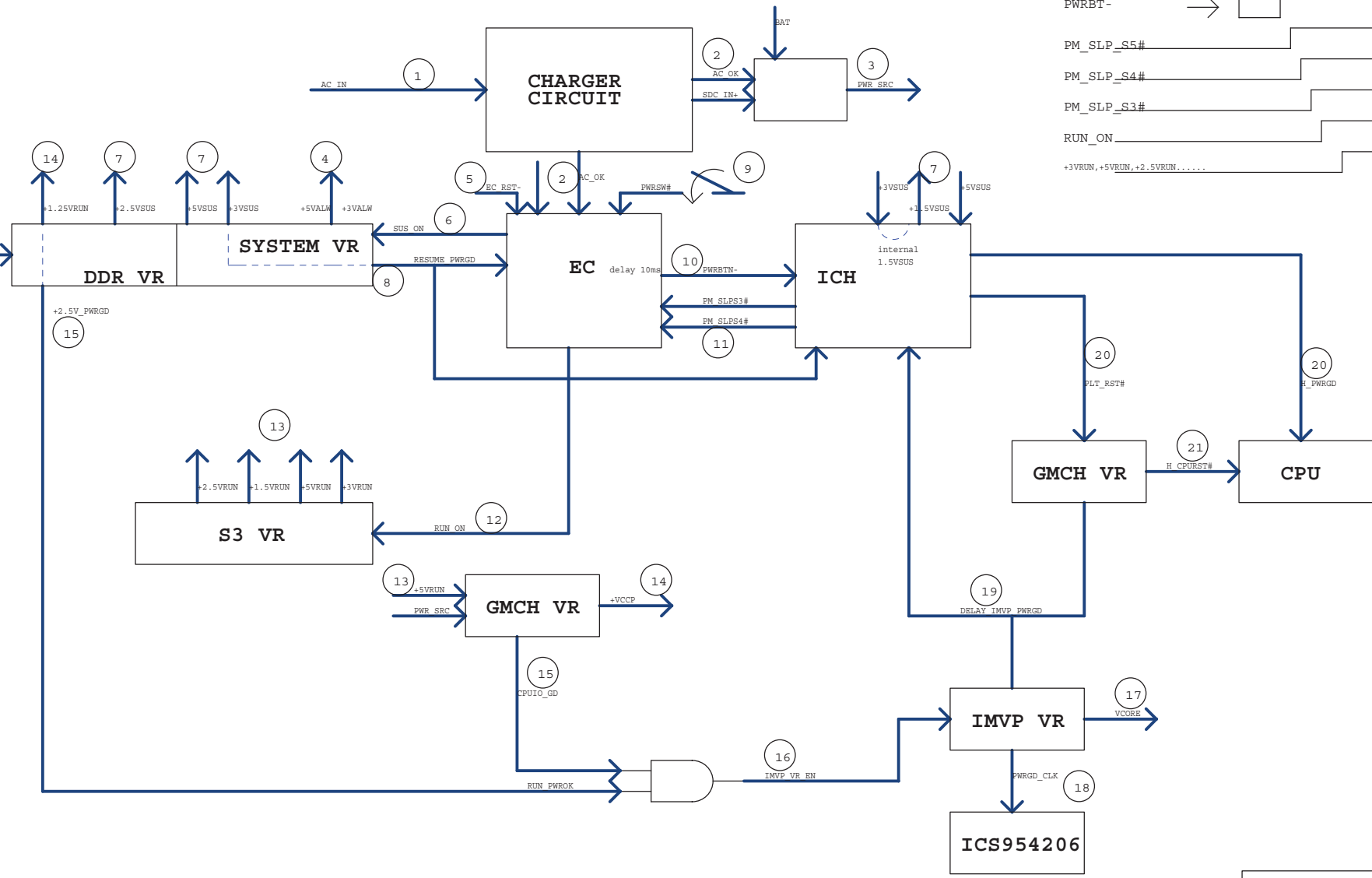


MSI CORPORATION		
Title VGA Decoupling		
Size A4	Document Number	Rev 0A
Date: 2005 May 20, 2005	Sheet 42 of 46	



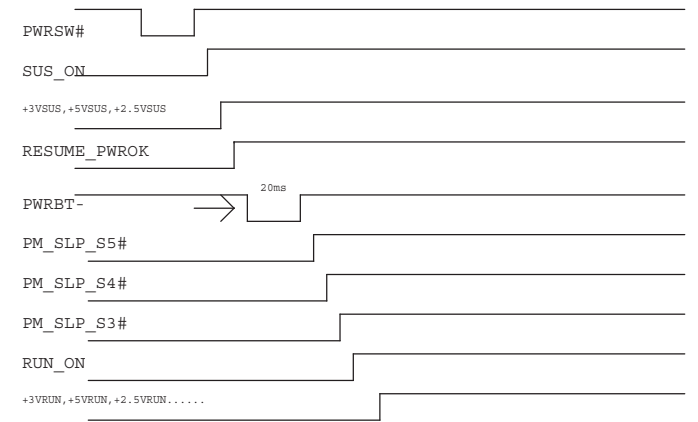
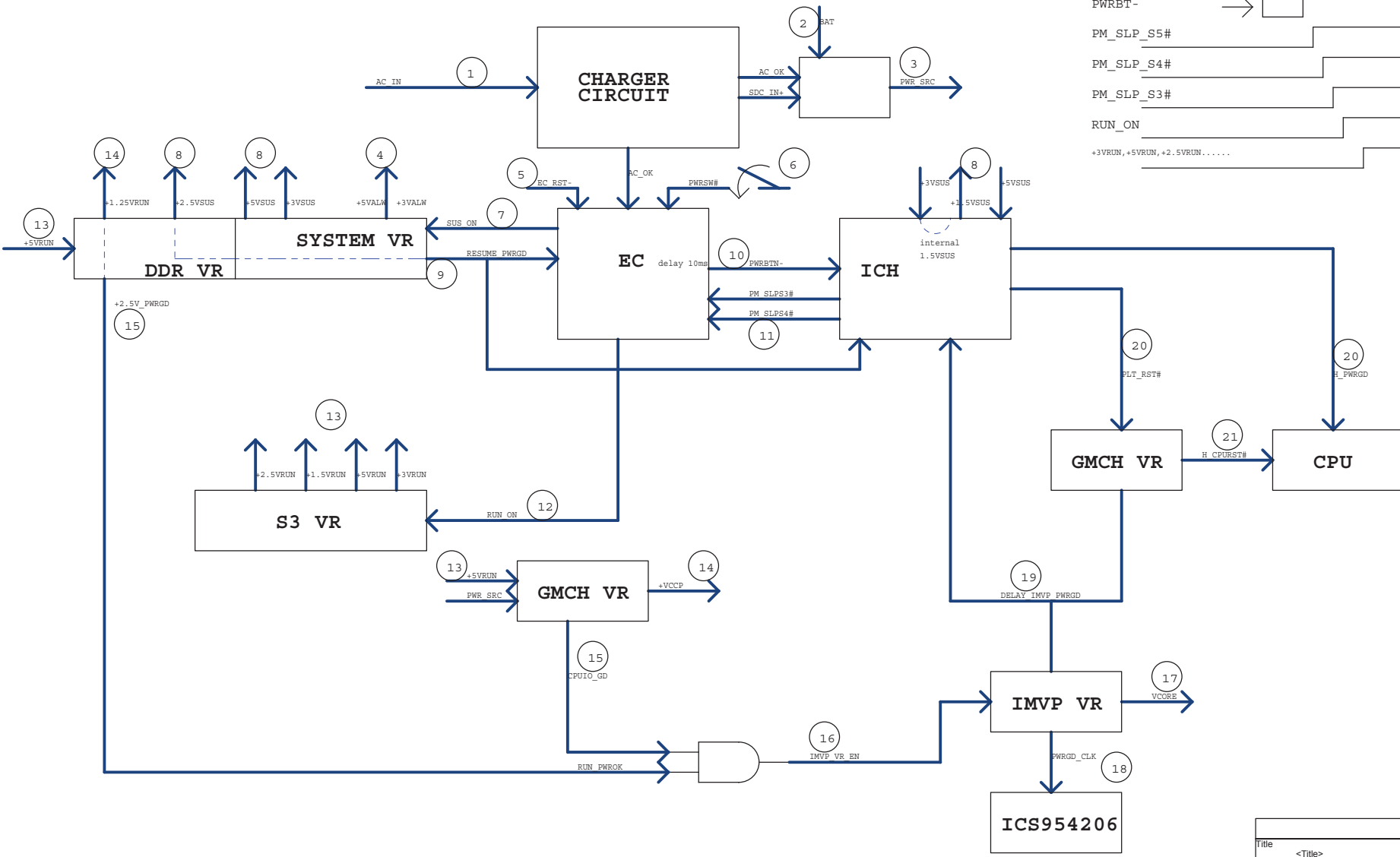
Title	<Title>	
Size	Document Number	Rev
A3	<Doc>	<Rev Code>
Date:	Friday, May 20, 2005	Sheet 43 of 46

AC MODE



Title	<Title>	
Size	Document Number	Rev
A3	<Doc>	<Rev Code>
Date:	Friday, May 20, 2005	Sheet 44 of 46

BATTERY MODE



Title	<Title>	
Size	A3	Rev
Document Number	<Doc>	<Rev Code>
Date:	Friday, May 20, 2005	Sheet 45 of 46

1. PAGE2 REMOVE IDSEL PIN, USE SWITH CONTROL
2. PAGE6 MODIFY TV OUT CIRCUIT/ ADD 1.5K PULL-LOW IN PIN LIBG
3. PAGE11 MODIFY DIMM AD SETTING
4. PAGE13 MODIFY DMI POWER/ CHANGE PCI PULL UP RESISTOR
5. PAGE14 MODIFY BT GPIO PIN TO EC/ ADD TEST PAD FOR USB SIGNALS/ REMOVE MB ID SETTING RESISTOR
6. PAGE15 MODIFY LAN POWER PIN TO CAPACITOR/ MODIFY +5VSUS POWER RESISTOR
7. PAGE16 MODIFY CPU IDSEL CIRCUIT/ REMOVE PULL UP RESISTOR FOR CLOCK GEN. SETTING
8. PAGE18 MODIFY USB POWER RESISTOR FOR LEAKAGE
9. PAGE19/PAGE20/PAGE21 MODIFY RICHON IC POWER FROM SUS TO RUN FOR S3 POWER CONSUMPTION
10. PAGE22 MODIFY INT MIC OP AMP CIRCUIT/ REMOVE PULL LOW RESISTOR FOR EXTERNAL CLOCK SETTING
11. PAGE25 MODIFY LAN TRANSFORM POWER TO +2.5VSUS FOR LEAKAGE/ ADD TWO RESISTOR FOR 10/100 POWER CHANGE
12. PAGE26 MODIFY INVERTER POWER TO +19V/ MODIFY EDID RESISTOR
13. PAGE27 ADD DIODE TO KBRST AND GAT20 CIRCUIT FOR LEAKAGE
14. PAGE29 MODIFY BATTERY PIN DEFINE FOR VENDOR SUGGESTION
15. PAGE30 MODIFY POWERGOOD CIRCUIT

Title		
<Title>		
Size	Document Number	Rev
A	<Doc>	<RevCode>
Date:	Friday, May 20, 2005	Sheet 46 of 46