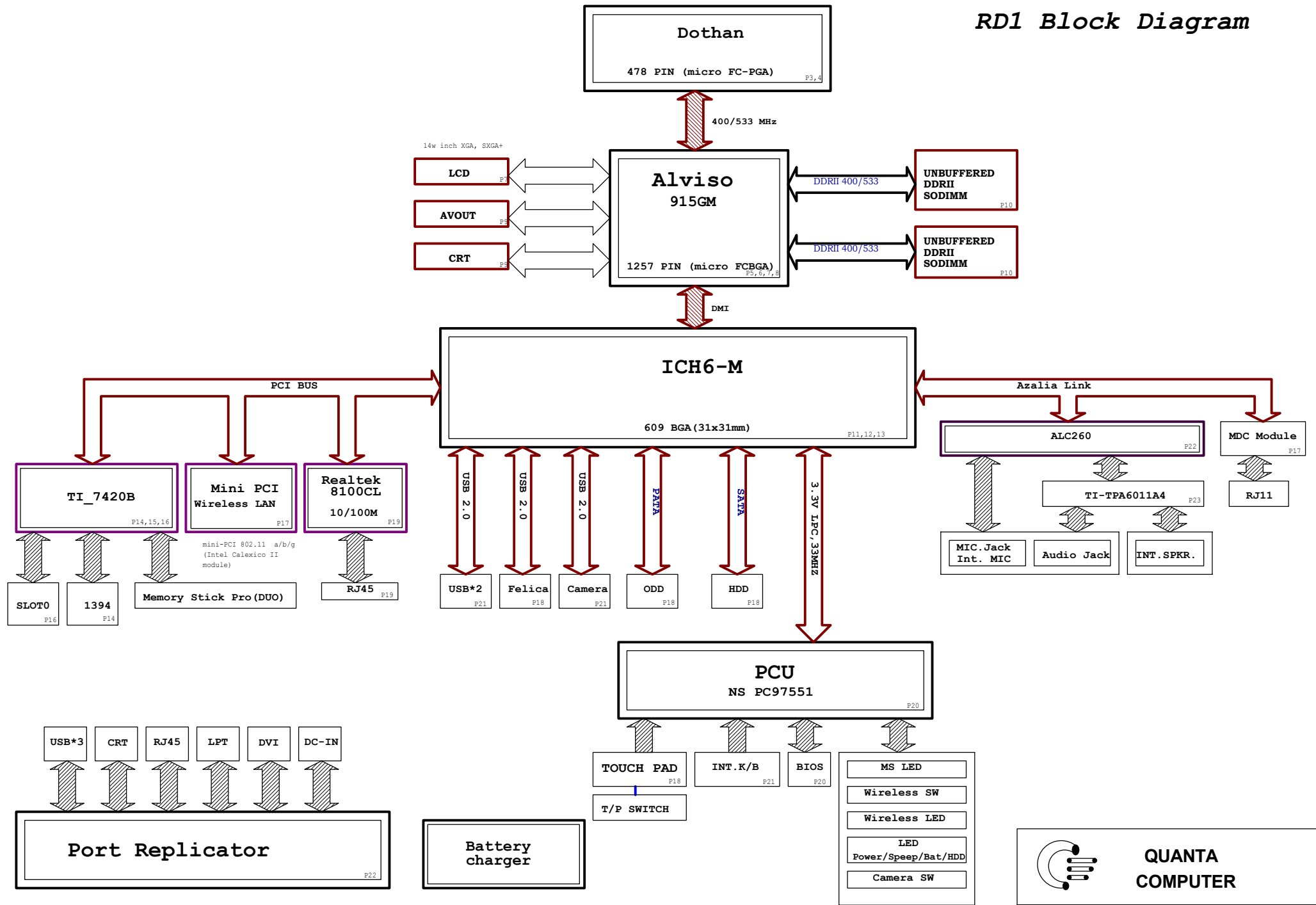
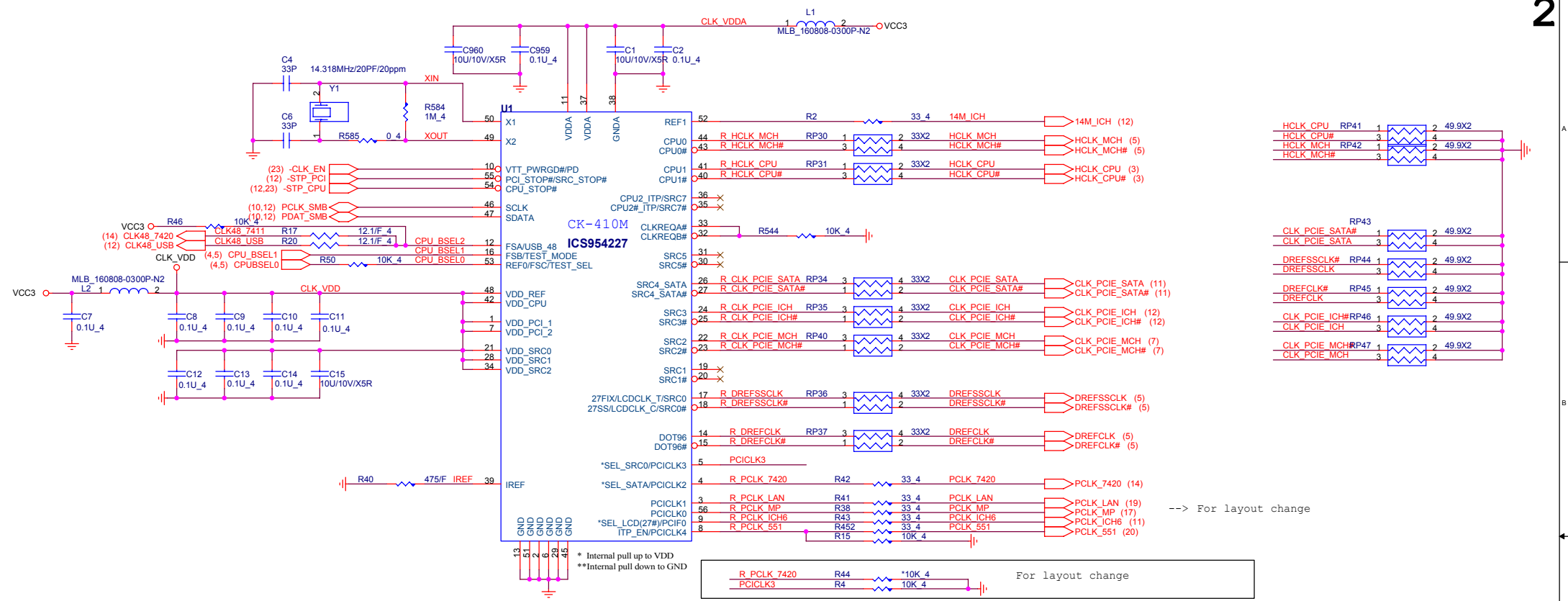


# RD1 Block Diagram





FSC BSEL0	FSB BSEL1	FSA BSEL2	CPU	SRC	PCI	REF	USB	DOT
0	0	0	266.66	100	33.33	14.318	48	96
* 0	0	1	133.33	100	33.33	14.318	48	96
0	1	0	200.00	100	33.33	14.318	48	96
0	1	1	166.66	100	33.33	14.318	48	96
1	0	0	333.33	100	33.33	14.318	48	96
* 1	0	1	100.00	100	33.33	14.318	48	96
1	1	0	400.00	100	33.33	14.318	48	96
1	1	1	RESERVE			14.318	48	96

ICS 954227 : Include SST

**ICS 954227 Function:**  
 Pin 53 : REF1  
 Pin 17,18 : 96MHz\_SST

**ITP\_EN Function (Pin 8)**  
 0 : SRC\_7 Pair (Pin 35,36)  
 1 : CPU\_2\_I TP Pair (Pin 35,36)

**IREF (Pin 39) :**  
 475\_1k : Sets the IREF current to 2.32mA

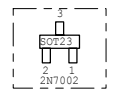
R44: (Pin 26,27)  
 1: Clock from SARA PLL  
 0: Clock from RC PLL

R4: (Pin 17,18)  
 1: SRCCLK0 pair  
 0: 17,18 pin is set by R6

R6: (Pin 17,18)  
 1: LCDCLK pair  
 0: 27MHZSS/27MHZSS# pair

96MHz SST Table :

S3	S2	S1	S0	Spread	Type
0	0	0	0	0.8	Down
0	0	0	1	1	
0	0	1	0	1.25	
0	0	1	1	1.5	
0	1	0	0	1.75	
0	1	0	1	2	
0	1	1	0	2.5	Center
0	1	1	1	3	
1	0	0	0	+/-0.3	
1	0	0	1	+/-0.4	
1	0	1	0	+/-0.5	
1	0	1	1	+/-0.6	
1	1	0	0	+/-0.8	Center
1	1	0	1	+/-1.0	
1	1	1	0	+/-1.25	
1	1	1	1	+/-1.5	



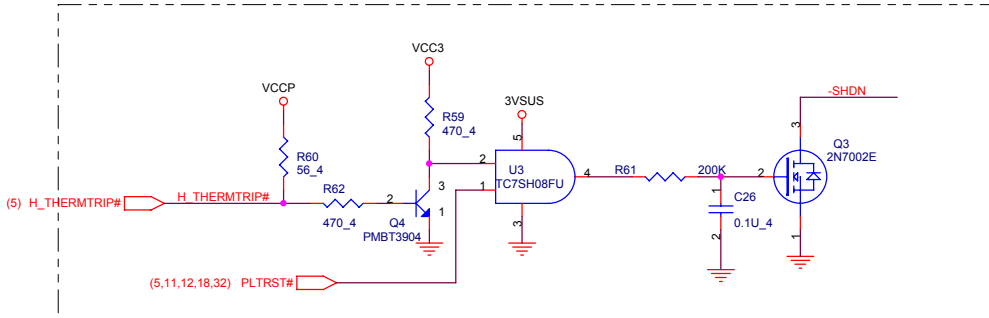
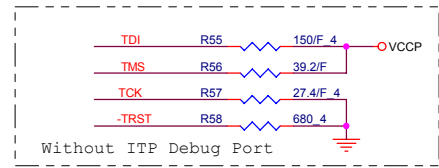
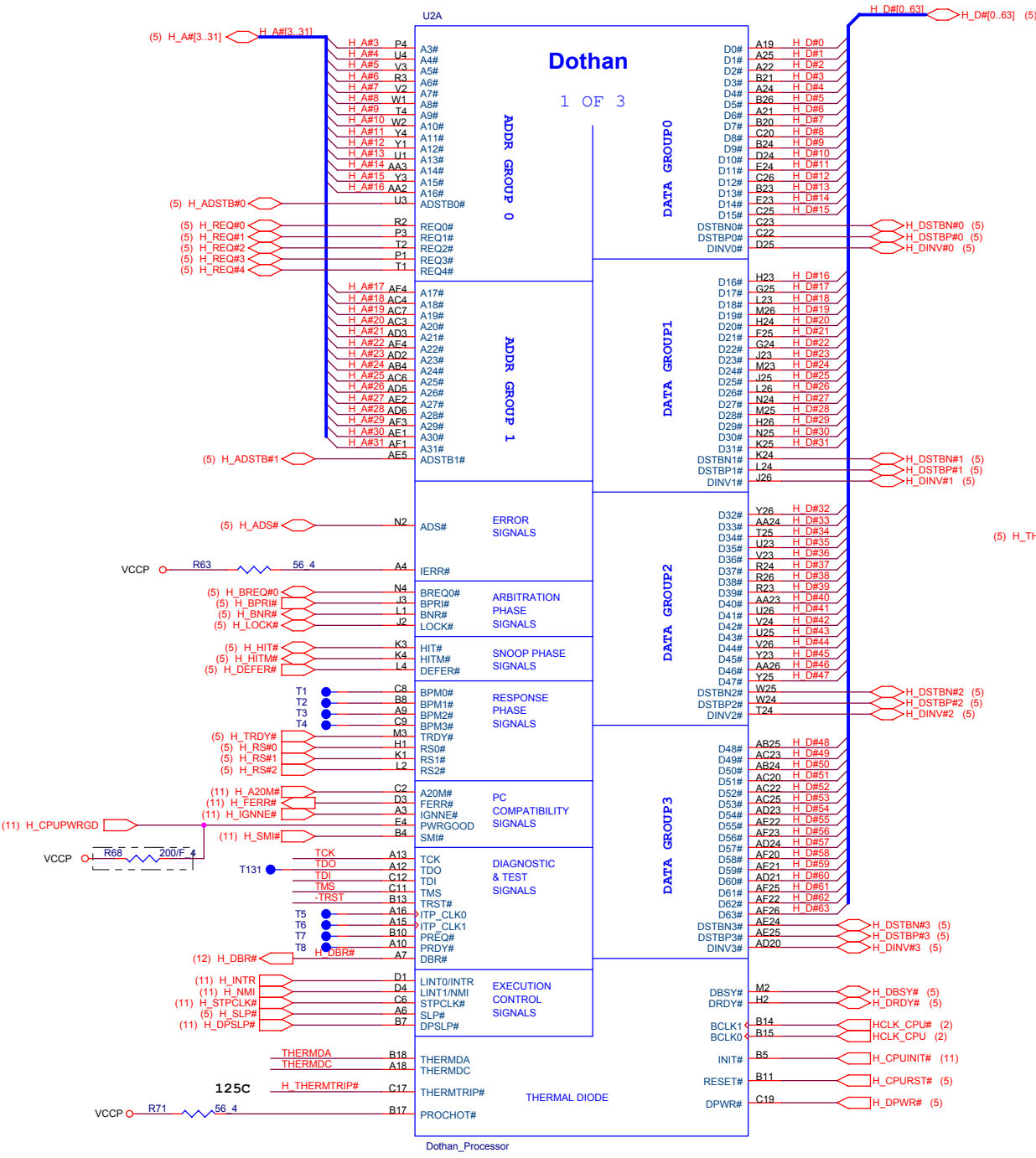
**QUANTA COMPUTER**

Title: **CLOCK GENERATOR**

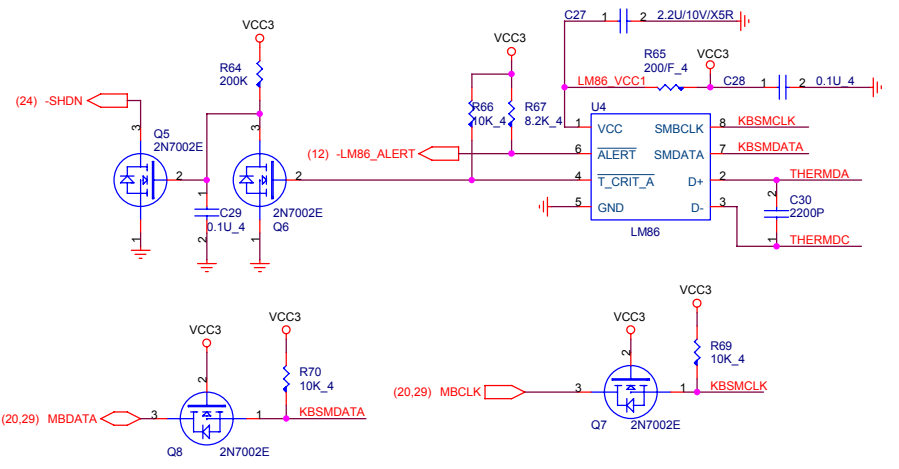
Size: Custom | Document Number: **RD1 Main Board** | Rev: 1A

Date: Thursday, June 30, 2005 | Sheet: 2 of 32

1.This part should not contain any substances which are specified in SS-00259-1  
 2.Purchase ink, paint, wire rods and molding resins only from the business partners that Sony approves as Green Partners.



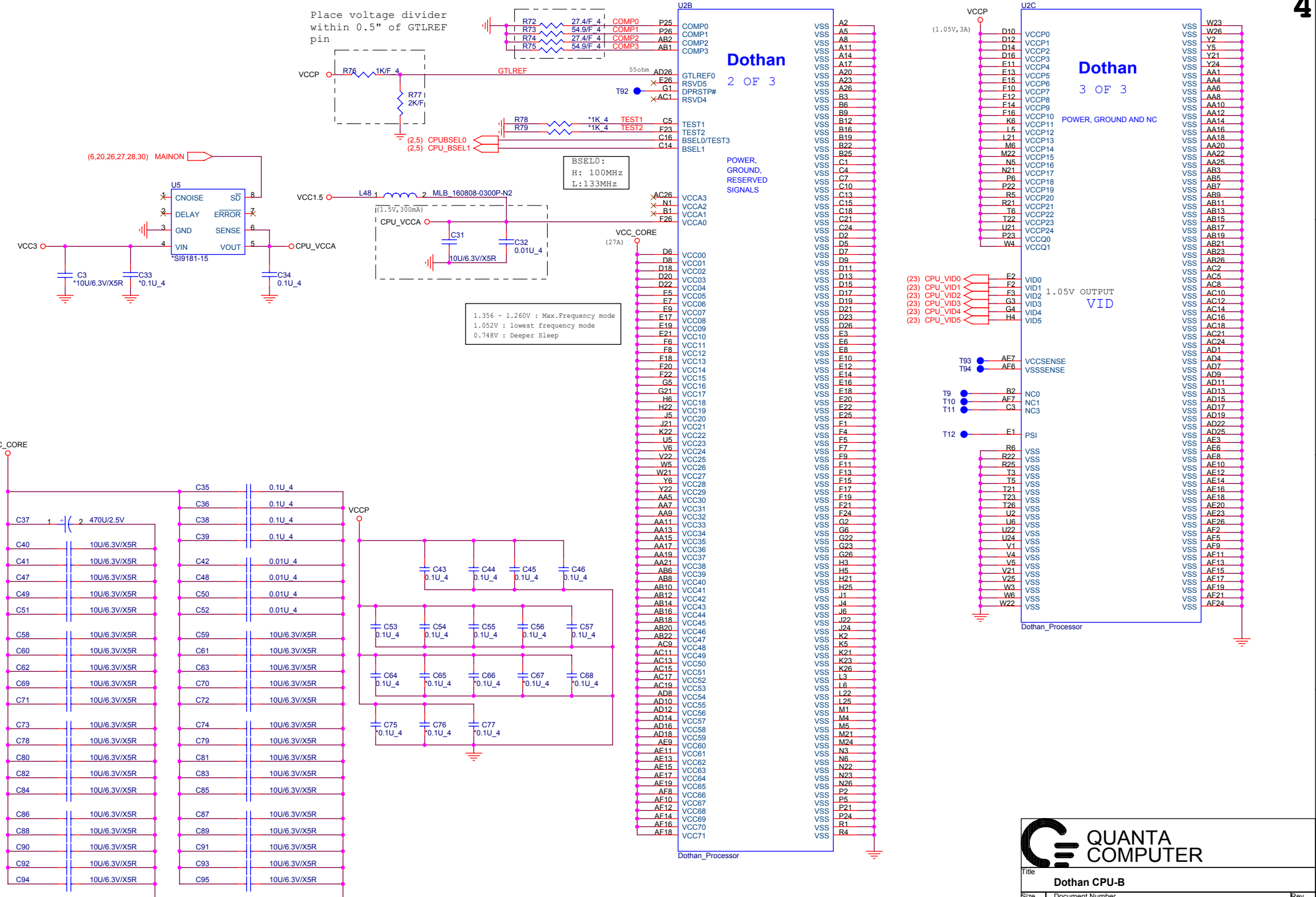
**Thermal Sensor**



Title			
Dothan CPU - A			
Size	Document Number	Rev	
Custom	RD1 Main Board	1A	
Date:	Thursday, June 30, 2005	Sheet	3 of 32

1.This part does not contain any substances which are specified in SS-00259-1  
2.Purchase ink, paint, wire rods and molding resins only from the business partners that Sony approves as Green Partners.

Place voltage divider within 0.5" of GTLREF pin

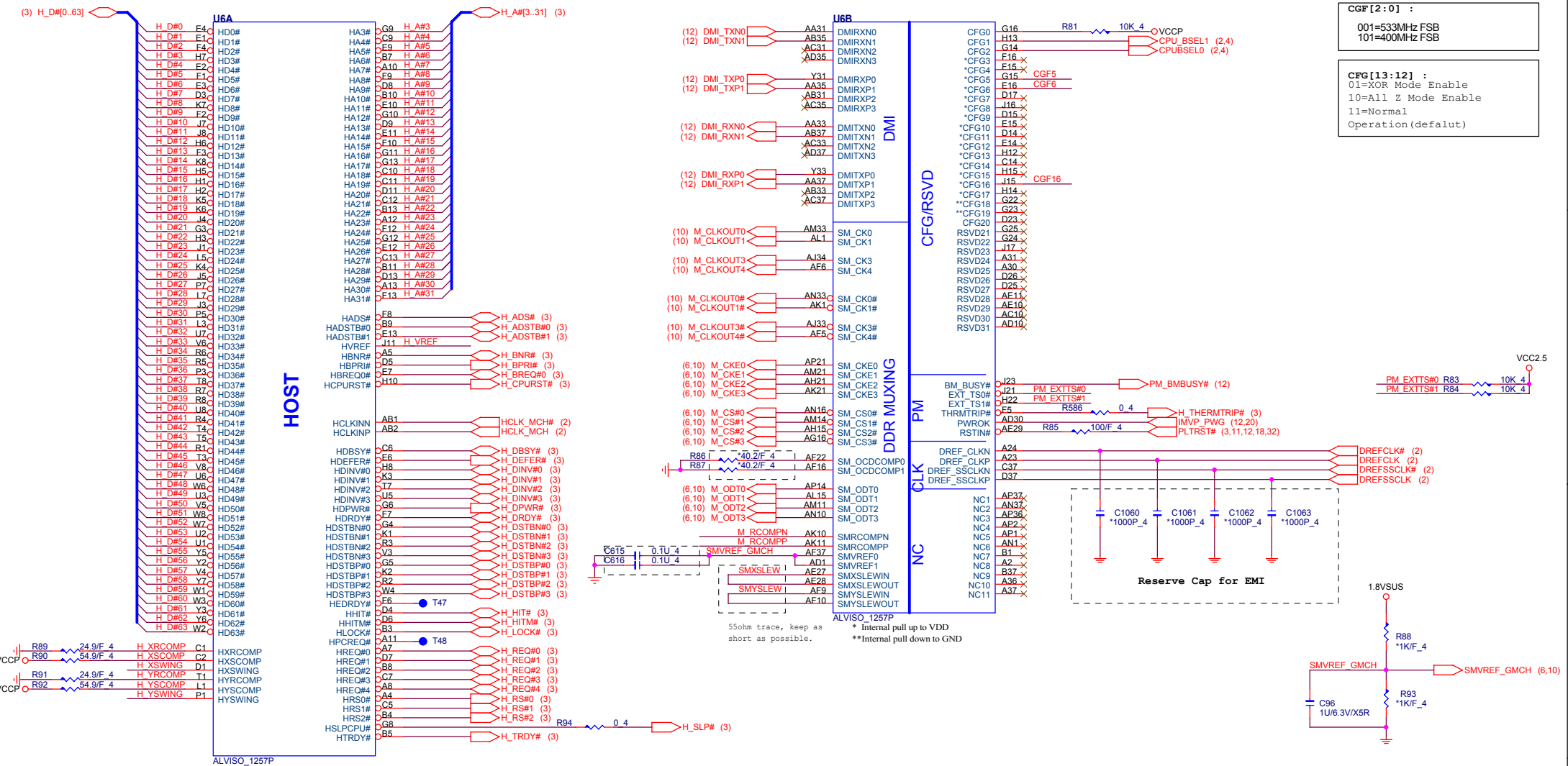


10U/6.3V/X5R(CC0805) 5 mOhm\*35

1. This part should not contain any substances which are specified in SS-00259-1  
 2. Purchase ink, paint, wire rods and molding resins only from the business partners that Sony approves as Green Partners.



Title <b>Dothan CPU-B</b>		
Size	Document Number <b>RD1 Main Board</b>	Rev 1A
Date	Thursday, June 30, 2005	Sheet 4 of 32

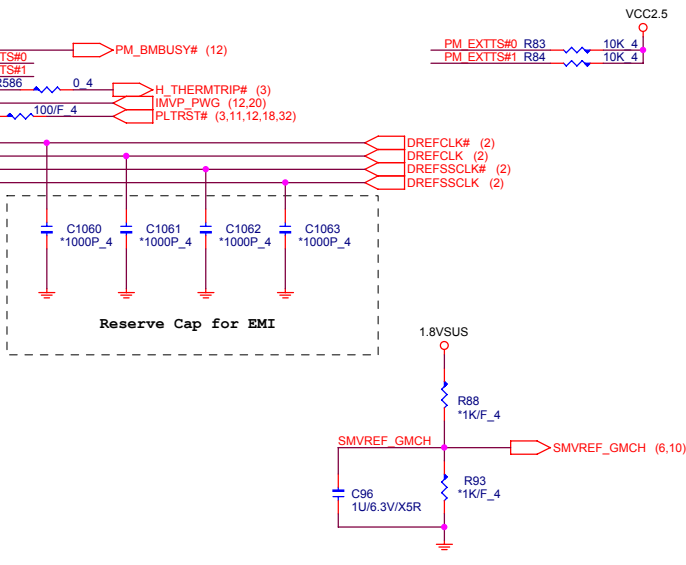


CGF[2:0] :

001=533MHz FSB  
101=400MHz FSB

CGF[13:12] :

01=XOR Mode Enable  
10=All Z Mode Enable  
11=Normal  
Operation (default)

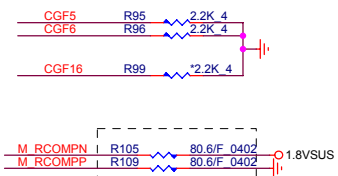
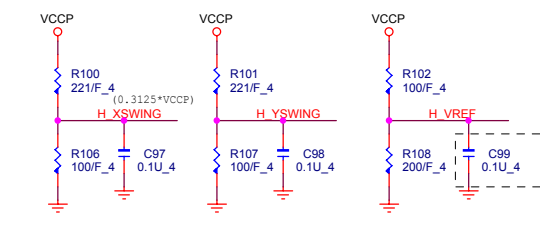


	Low	High
CGF5	* DMIX2	DMIX4
CGF6	* DDR II	DDR
CGF7	CPU type: DT/Transportable	* CPU type: Mobile CPU
CGF9	PCIe Graphics lan : Reverse Lane	* PCIe Graphics lan : Normal operation
CGF16	Dynamic ODT Disabled	* Dynamic ODT Enabled
CGF18	Alviso GMCH core: 1.05V	Alviso GMCH core: 1.5V
CGF19	* VPP Voltage : 1.05V	VPP Voltage : 1.2V

	H_SLP#
For Doathan A-X step	* 0
* For Doathan B-X step & later	0

SDVOCTRL\_DATA :

\* 0 : No SDVO Device Present (default)  
1 : SDVO Device Present



Note:

CFG[17:3] have internal pullup resistors.  
CFG[19:18] have internal pulldown resistors.

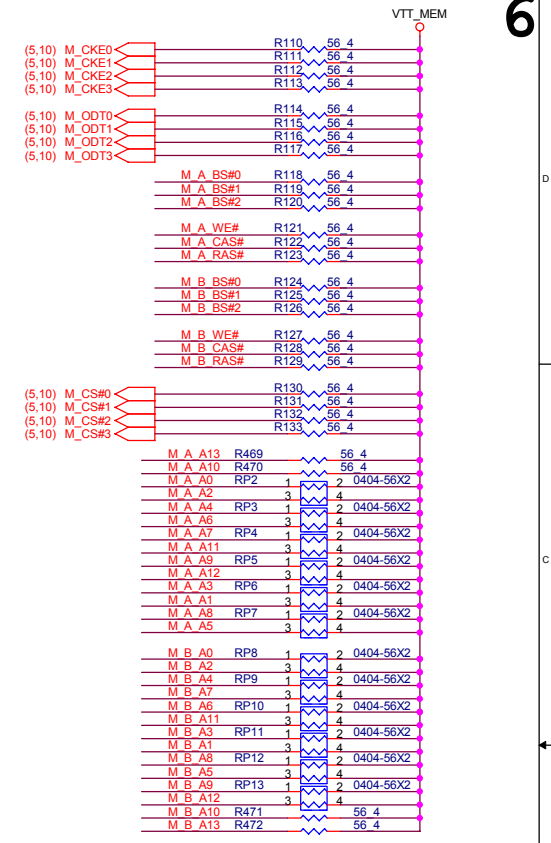
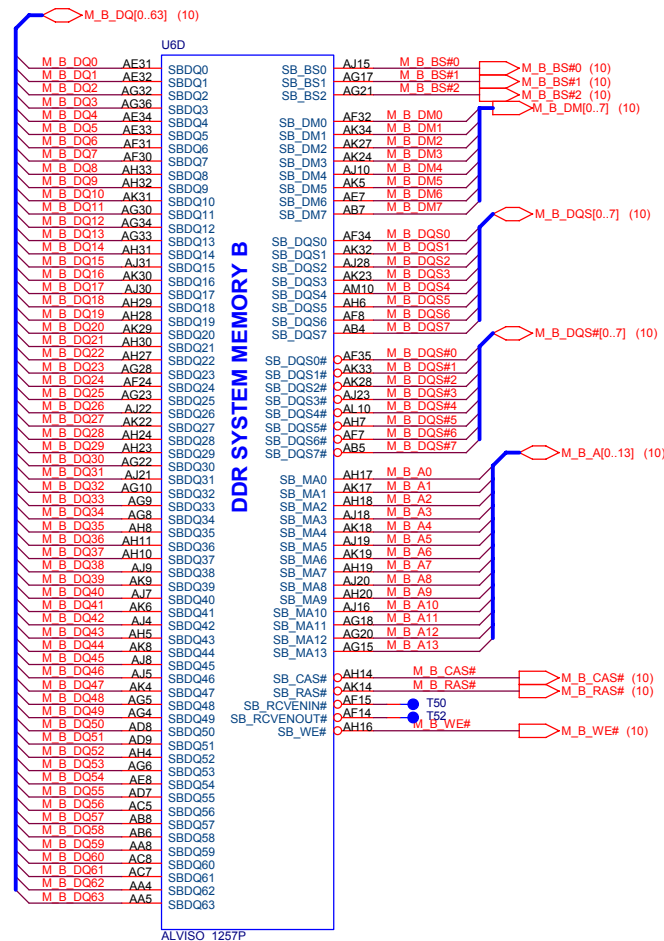
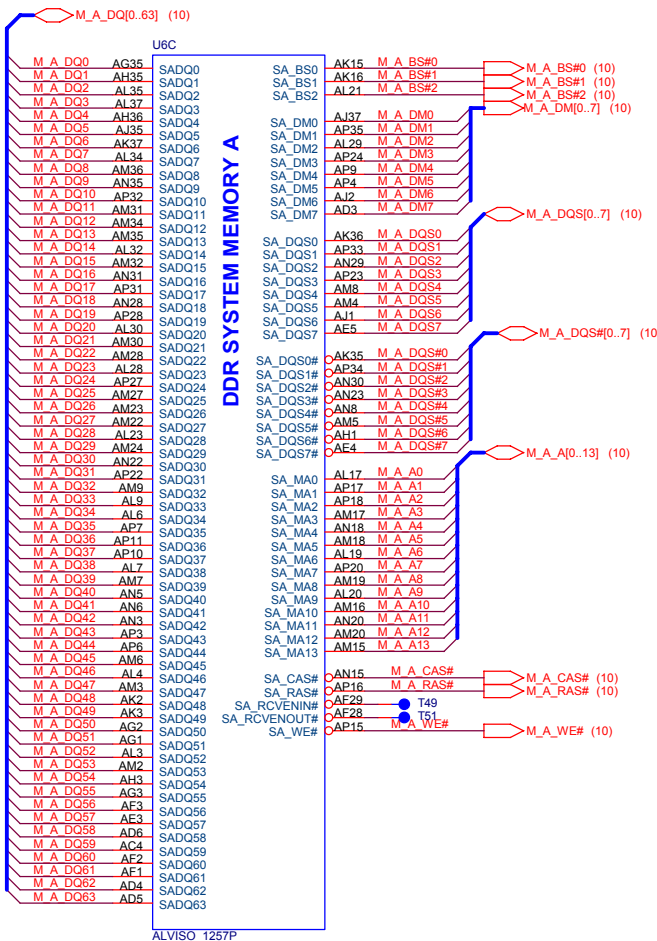
1. This part should not contain any substances which are specified in SS-00259-1  
2. Purchase ink, paint, wire rods and molding resins only from the business partners that Sony approves as Green Partners.

**QUANTA COMPUTER**

Title: **Alviso**

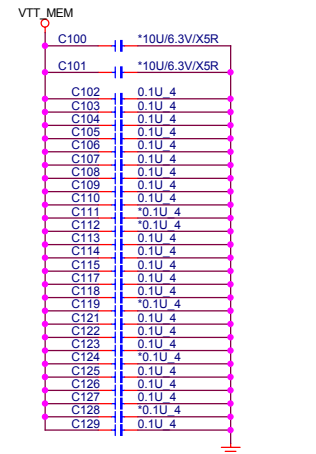
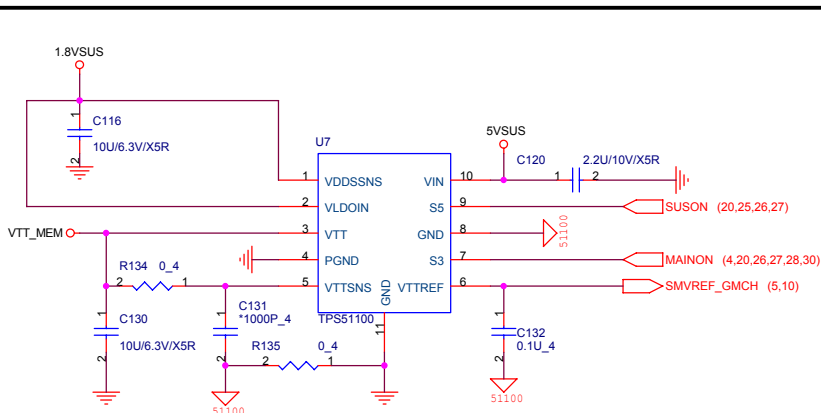
Size	Document Number	Rev
	<b>RD1 Main Board</b>	1A

Date: Thursday, June 30, 2005 Sheet 5 of 32



ALVISIO\_1257P

ALVISIO\_1257P



**QUANTA COMPUTER**

Title: **Alviso-DDRII**

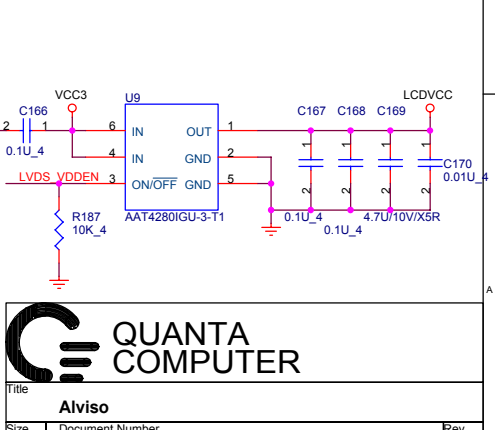
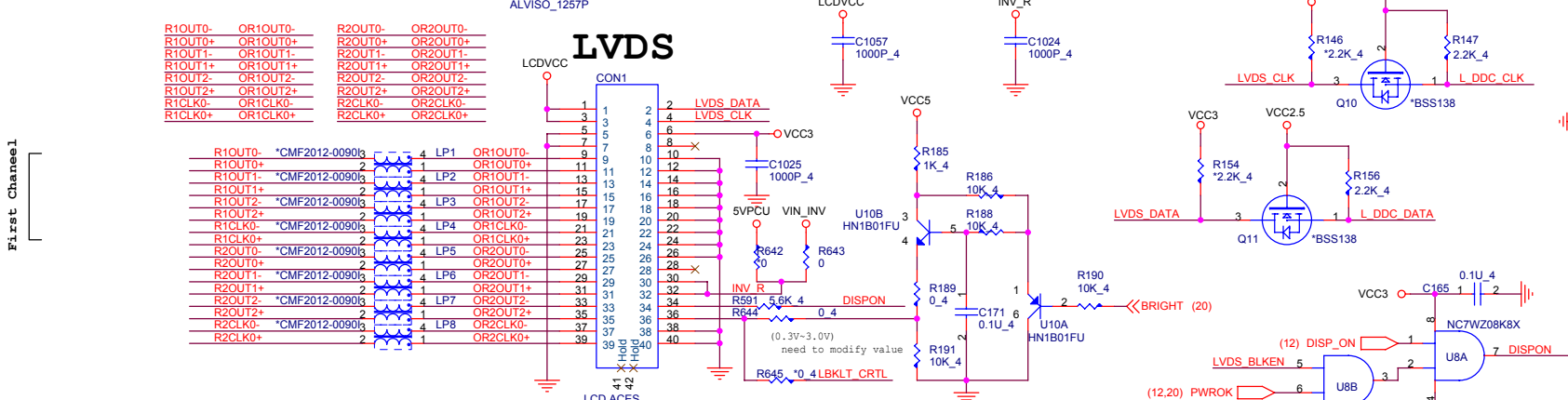
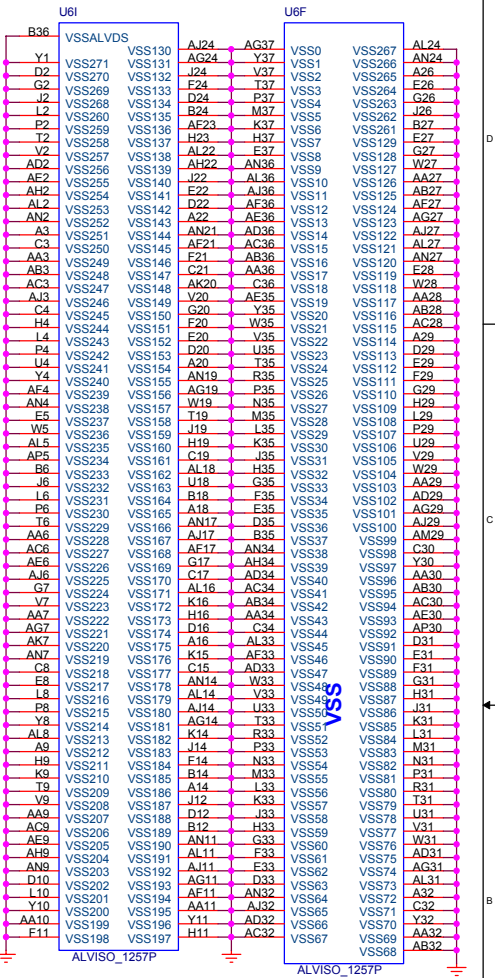
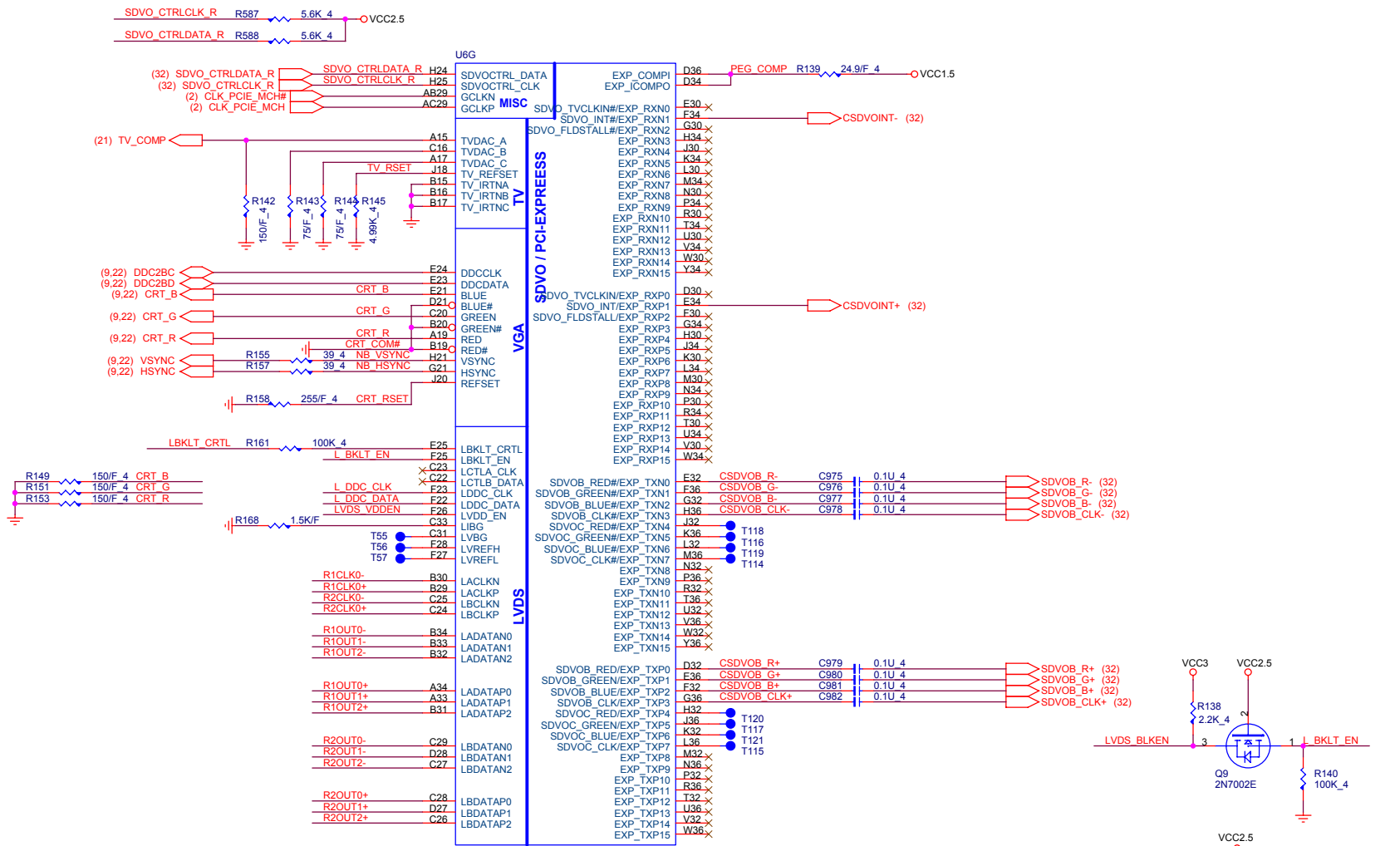
Size: **RD1 Main Board**

Rev: **1A**

Date: **Thursday, June 30, 2005**

Sheet: **6** of **32**

1.This part should not contain any substances which are specified in SS-00259-1  
 2.Purchase ink, paint, wire rods and molding resins only from the business partners that Sony approves as Green Partners.

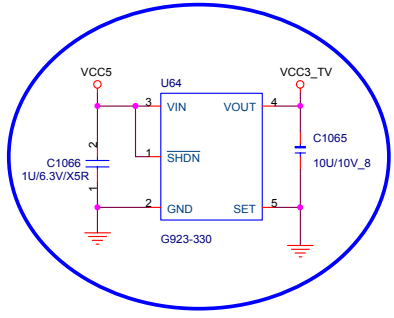
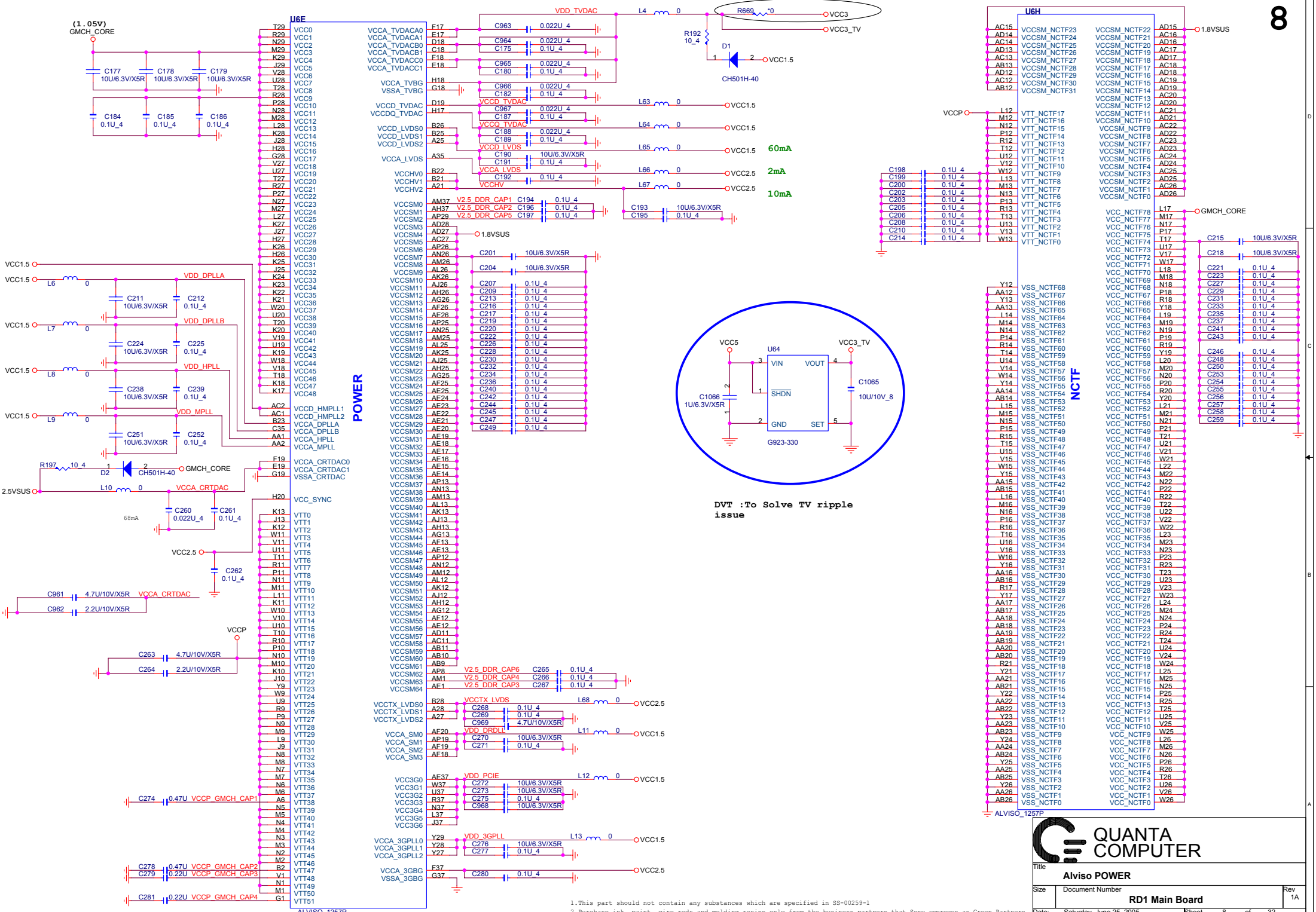


**QUANTA COMPUTER**

**Alviso**  
**RD1 Main Board**

Size: Document Number  
 Date: Thursday, June 30, 2005  
 Sheet: 7 of 32  
 Rev: 1A

1. This part should not contain any substances which are specified in SS-00259-1  
 2. Purchase ink, paint, wire rods and molding resins only from the business partners that Sony approves as Green Partners.



DVT :To Solve TV ripple issue

U6H		VCCSM_NCTF		NC1E	
AC15	VCCSM_NCTF23	AA12	VSS_NCTF68	Y12	VSS_NCTF68
AD14	VCCSM_NCTF24	AA13	VSS_NCTF67	Y13	VSS_NCTF66
AC14	VCCSM_NCTF25	AA14	VSS_NCTF66	Y14	VSS_NCTF65
AD13	VCCSM_NCTF26	M14	VSS_NCTF64	M14	VSS_NCTF63
AC13	VCCSM_NCTF27	N14	VSS_NCTF63	N14	VSS_NCTF62
AD12	VCCSM_NCTF28	P14	VSS_NCTF61	P14	VSS_NCTF60
AC12	VCCSM_NCTF29	R14	VSS_NCTF60	R14	VSS_NCTF59
AD11	VCCSM_NCTF30	T14	VSS_NCTF58	T14	VSS_NCTF57
AC11	VCCSM_NCTF31	U14	VSS_NCTF57	U14	VSS_NCTF56
AD10	VCCSM_NCTF32	V14	VSS_NCTF56	V14	VSS_NCTF55
AC10	VCCSM_NCTF33	W14	VSS_NCTF55	W14	VSS_NCTF54
AD09	VCCSM_NCTF34	AA15	VSS_NCTF54	AA15	VSS_NCTF53
AC09	VCCSM_NCTF35	AB15	VSS_NCTF53	AB15	VSS_NCTF52
AD08	VCCSM_NCTF36	M15	VSS_NCTF51	M15	VSS_NCTF50
AC08	VCCSM_NCTF37	N15	VSS_NCTF50	N15	VSS_NCTF49
AD07	VCCSM_NCTF38	P15	VSS_NCTF49	P15	VSS_NCTF48
AC07	VCCSM_NCTF39	R15	VSS_NCTF48	R15	VSS_NCTF47
AD06	VCCSM_NCTF40	T15	VSS_NCTF47	T15	VSS_NCTF46
AC06	VCCSM_NCTF41	U15	VSS_NCTF46	U15	VSS_NCTF45
AD05	VCCSM_NCTF42	V15	VSS_NCTF45	V15	VSS_NCTF44
AC05	VCCSM_NCTF43	W15	VSS_NCTF44	W15	VSS_NCTF43
AD04	VCCSM_NCTF44	Y15	VSS_NCTF43	Y15	VSS_NCTF42
AC04	VCCSM_NCTF45	AA16	VSS_NCTF42	AA16	VSS_NCTF41
AD03	VCCSM_NCTF46	AB16	VSS_NCTF41	AB16	VSS_NCTF40
AC03	VCCSM_NCTF47	N16	VSS_NCTF39	N16	VSS_NCTF38
AD02	VCCSM_NCTF48	P16	VSS_NCTF38	P16	VSS_NCTF37
AC02	VCCSM_NCTF49	R16	VSS_NCTF36	R16	VSS_NCTF35
AD01	VCCSM_NCTF50	T16	VSS_NCTF35	T16	VSS_NCTF34
AC01	VCCSM_NCTF51	U16	VSS_NCTF34	U16	VSS_NCTF33
AD00	VCCSM_NCTF52	V16	VSS_NCTF33	V16	VSS_NCTF32
AC00	VCCSM_NCTF53	W16	VSS_NCTF32	W16	VSS_NCTF31
AD99	VCCSM_NCTF54	Y16	VSS_NCTF31	Y16	VSS_NCTF30
AC99	VCCSM_NCTF55	AA17	VSS_NCTF29	AA17	VSS_NCTF28
AD98	VCCSM_NCTF56	AB17	VSS_NCTF28	AB17	VSS_NCTF27
AC98	VCCSM_NCTF57	AA18	VSS_NCTF27	AA18	VSS_NCTF26
AD97	VCCSM_NCTF58	AB18	VSS_NCTF26	AB18	VSS_NCTF25
AC97	VCCSM_NCTF59	AA19	VSS_NCTF25	AA19	VSS_NCTF24
AD96	VCCSM_NCTF60	AB19	VSS_NCTF24	AB19	VSS_NCTF23
AC96	VCCSM_NCTF61	AA20	VSS_NCTF23	AA20	VSS_NCTF22
AD95	VCCSM_NCTF62	AB20	VSS_NCTF22	AB20	VSS_NCTF21
AC95	VCCSM_NCTF63	AA21	VSS_NCTF21	AA21	VSS_NCTF20
AD94	VCCSM_NCTF64	AB21	VSS_NCTF20	AB21	VSS_NCTF19
AC94	VCCSM_NCTF65	AA22	VSS_NCTF19	AA22	VSS_NCTF18
AD93	VCCSM_NCTF66	AB22	VSS_NCTF18	AB22	VSS_NCTF17
AC93	VCCSM_NCTF67	AA23	VSS_NCTF17	AA23	VSS_NCTF16
AD92	VCCSM_NCTF68	AB23	VSS_NCTF16	AB23	VSS_NCTF15
AC92	VCCSM_NCTF69	AA24	VSS_NCTF15	AA24	VSS_NCTF14
AD91	VCCSM_NCTF70	AB24	VSS_NCTF14	AB24	VSS_NCTF13
AC91	VCCSM_NCTF71	AA25	VSS_NCTF13	AA25	VSS_NCTF12
AD90	VCCSM_NCTF72	AB25	VSS_NCTF12	AB25	VSS_NCTF11
AC90	VCCSM_NCTF73	AA26	VSS_NCTF11	AA26	VSS_NCTF10
AD89	VCCSM_NCTF74	AB26	VSS_NCTF10	AB26	VSS_NCTF9
AC89	VCCSM_NCTF75				

**QUANTA COMPUTER**

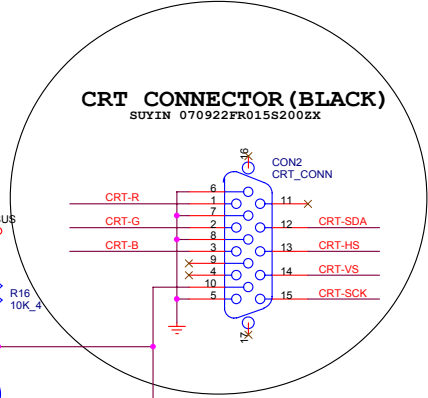
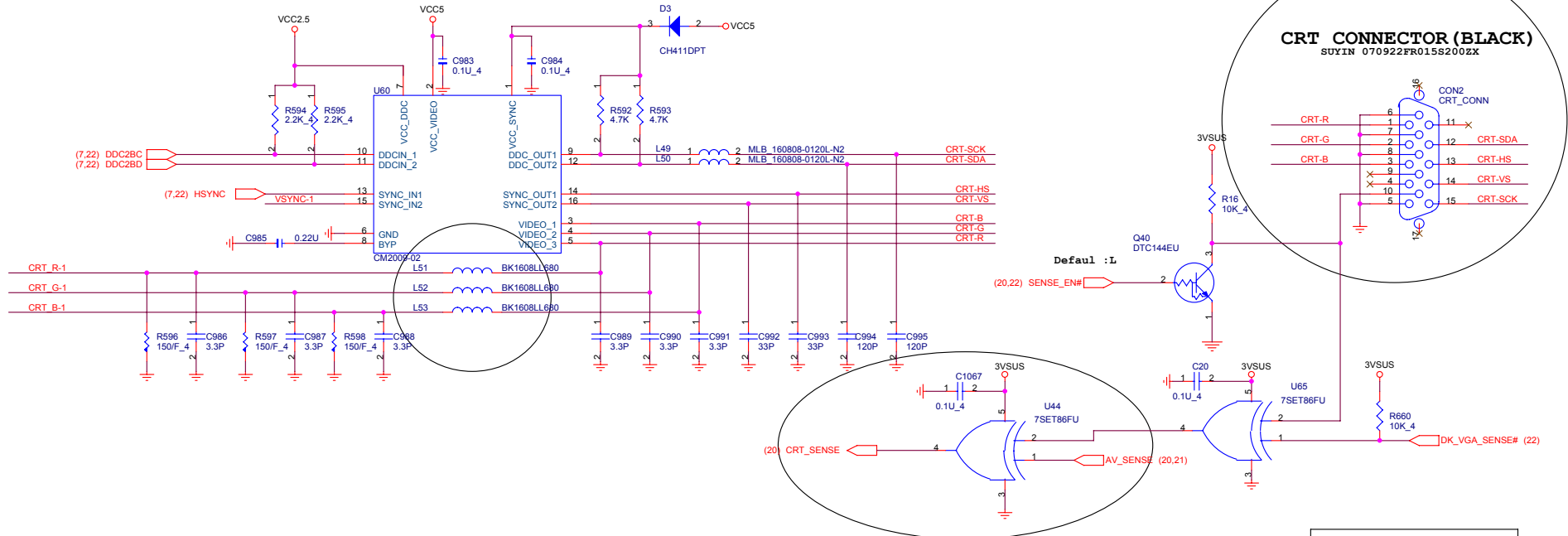
Alviso POWER

Size	Document Number	Rev
	RD1 Main Board	1A

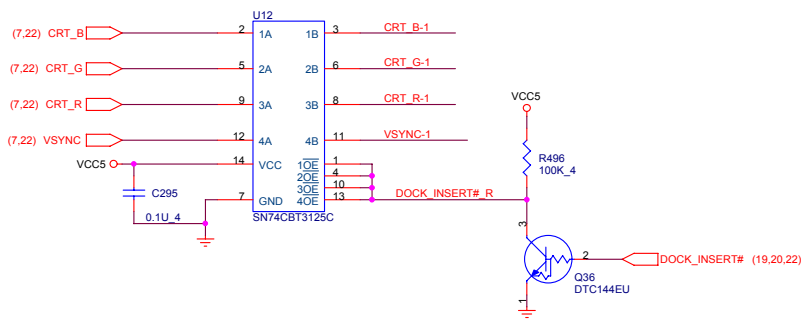
Date: Saturday, June 25, 2005 Sheet 8 of 32

1. This part should not contain any substances which are specified in SS-00259-1  
 2. Purchase ink, paint, wire rods and molding resins only from the business partners that Sony approves as Green Partners.





Close to PR-CONN



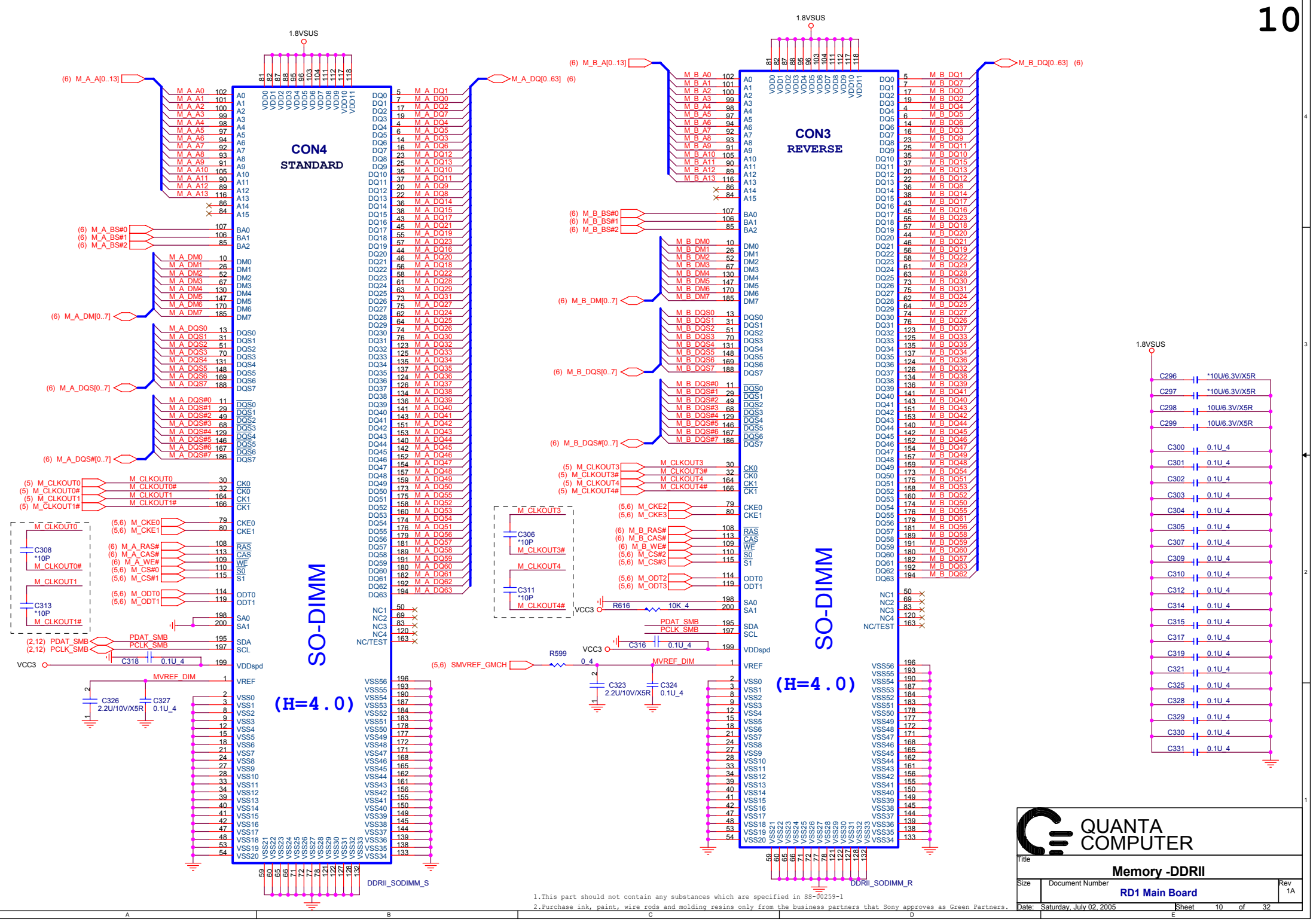
Plug Display true table

(2) XOR (1) XOR

DOCK_INSERT#	SENSE_EN#	MB CRT	DK_VGA_SENSE#	DOCK DVI	DOCK CRT	AV_SENSE	CRT_SENSE
MB no CRT/AV	H	H	H	X	X	L	L
MB CRT Plug	H	L	H	X	X	L	H
MB AV-OUT Plug	H	L	H	X	X	H	H
MB CRT/AV-OUT Plug	H	L	H	X	X	H	L
DOCK No CRT/DVI /AV	L	L	H	L	H	L	L
DOCK CRT Plug	L	L	H	L	L	L	H
DOCK DVI Plug	L	L	H	L	H	L	H
DOCK AV Plug	L	L	H	L	H	H	H
DOCK CRT/DVI Plug	L	L	H	H	L	L	L
DOCK DVI/AV Plug	L	L	H	L	H	H	L
DOCK CRT/AV Plug	L	L	H	L	L	H	L
DOCK CRT/DVI/AV Plug	L	L	H	H	L	H	H
X	H	X	X	X	X	X	L

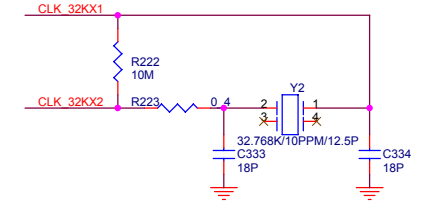
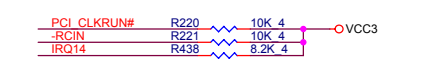
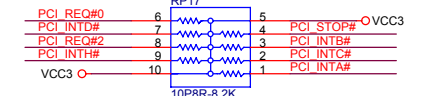
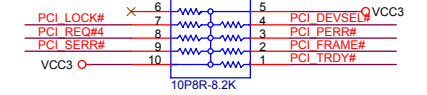
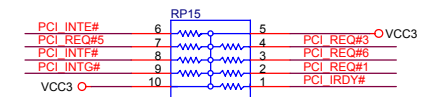
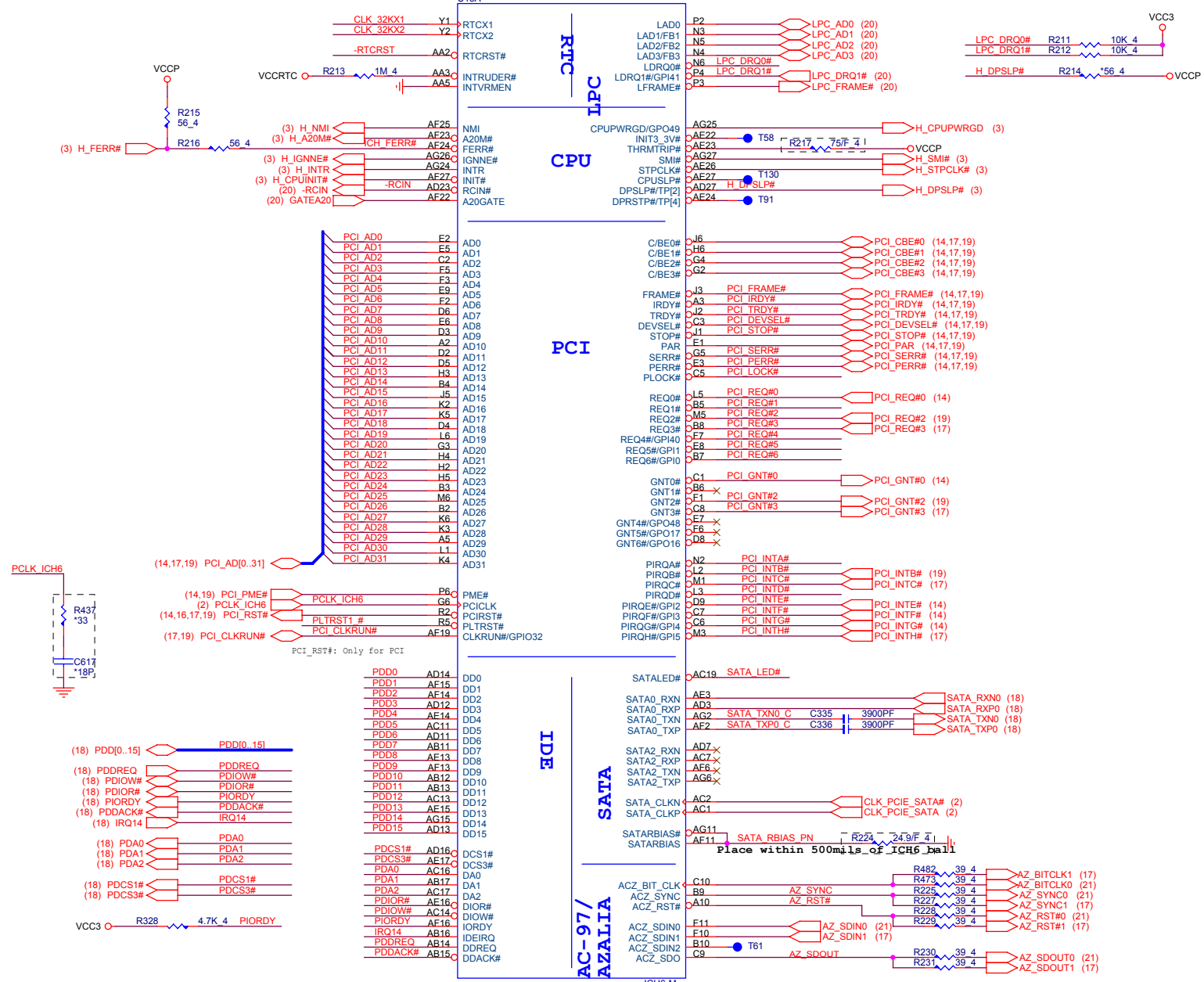


1.This part should not contain any substances which are specified in S2-00259-1  
 2.Purchase ink, paint, wire rods and molding resins only from the business partners that Sony approves as Green Partners.



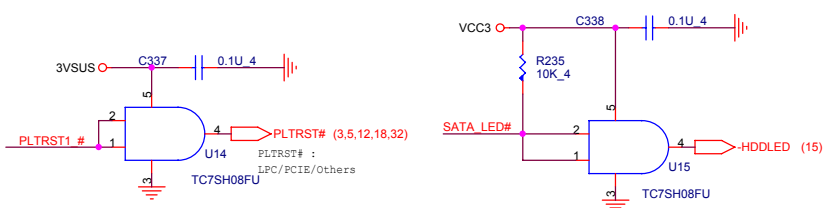
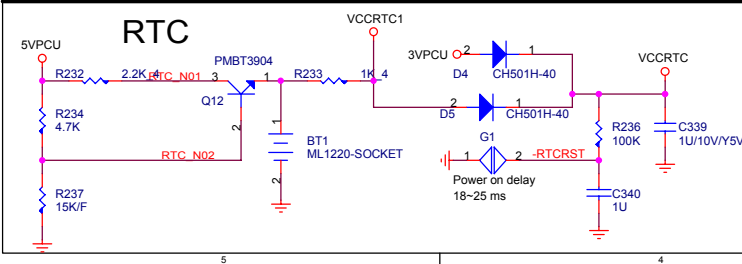
**Memory -DDRII**  
**RD1 Main Board**

1. This part should not contain any substances which are specified in SS-00259-1  
 2. Purchase ink, paint, wire rods and molding resins only from the business partners that Sony approves as Green Partners.



PCI\_REQ0 : TI-7420  
 PCI\_REQ1 : X  
 PCI\_REQ2 : LAN (8100CL)  
 PCI\_REQ3 : MINI PCI  
 PCI\_REQ4 : X  
 PCI\_REQ5 : X  
 PCI\_REQ6 : X  
 IDSEL: (AD16 ~ 29)  
 AD24 : LAN (8100CL)  
 AD25 : TI-7420  
 AD26 : MINI PCI

PCI\_INTA# : X  
 PCI\_INTB# : LAN (8100CL)  
 PCI\_INTC# : MINI PCI  
 PCI\_INTD# : X  
 PCI\_INTE# : TI-7420  
 PCI\_INTF# : TI-7420  
 PCI\_INTG# : TI-7420  
 PCI\_INTH# : MINI PCI



1. This part should not contain any substances which are specified in SS-00259-1  
 2. Purchase ink, paint, wire rods and molding resins only from the business partners that Sony approves as Green Partners.

**QUANTA COMPUTER**

Title: **ICH6-M**

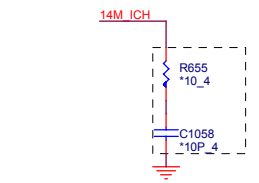
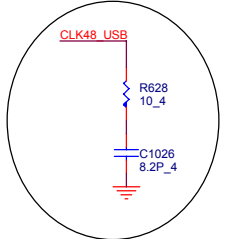
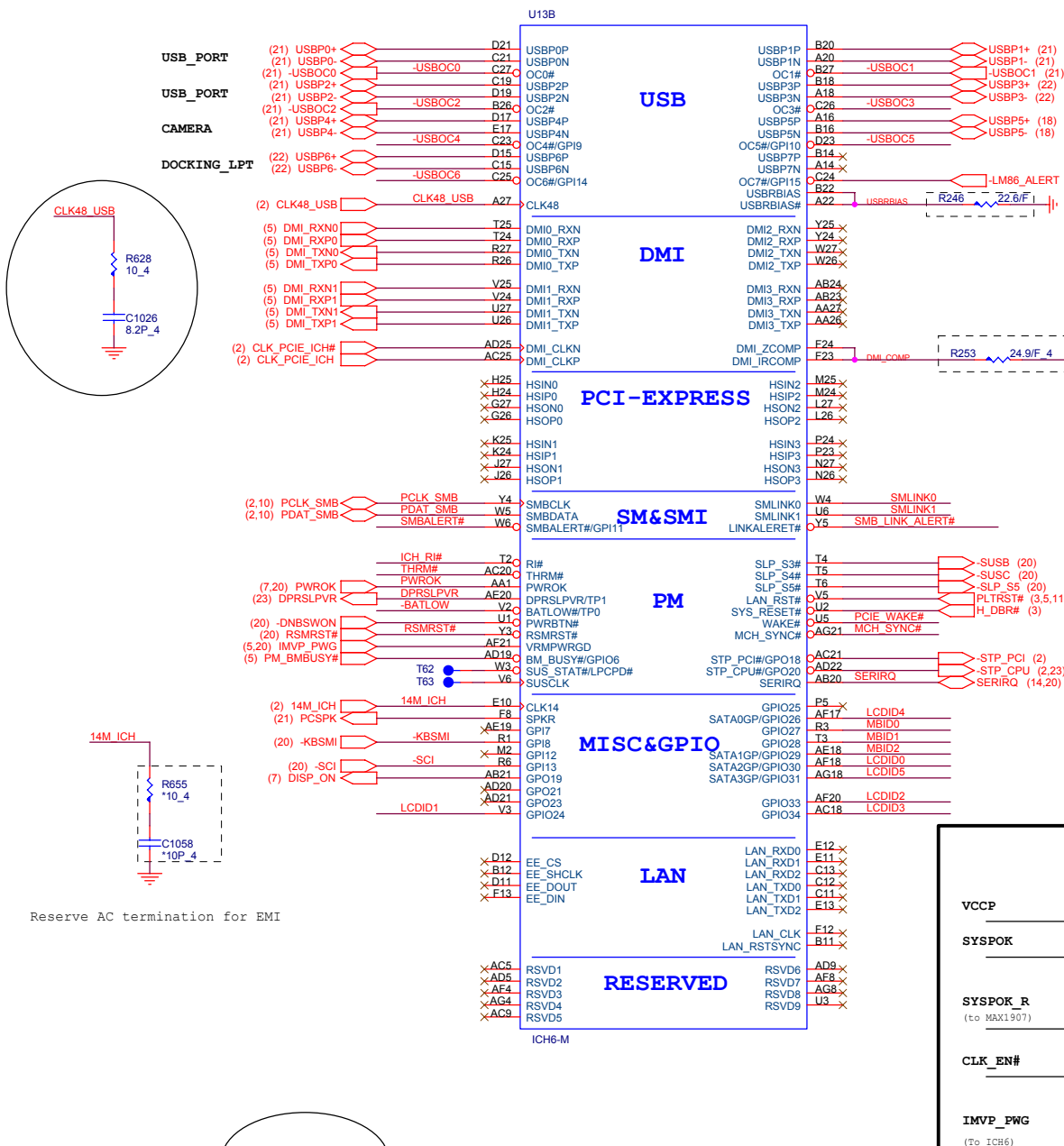
Size: **RD1 Main Board**

Document Number: **RD1 Main Board**

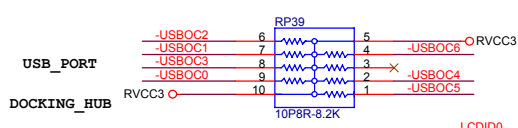
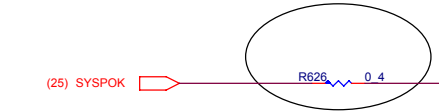
Date: **Thursday, June 30, 2005**

Sheet: **11** of **32**

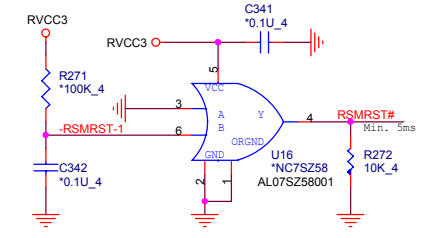
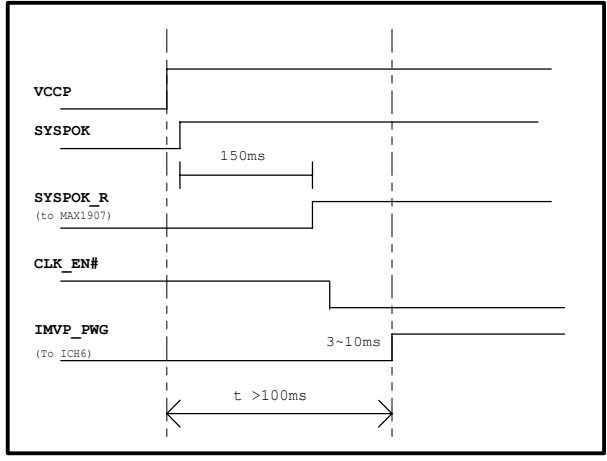
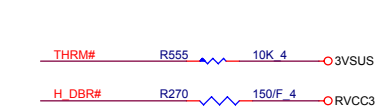
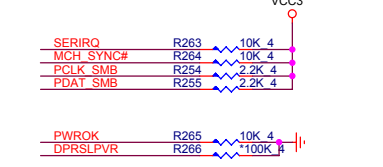
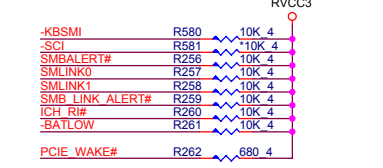
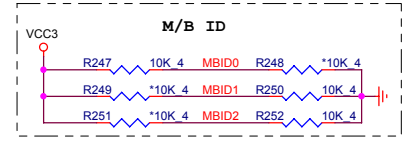
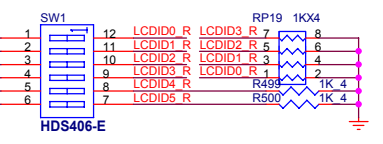
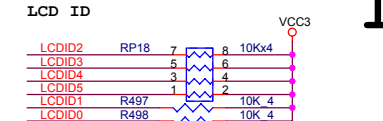
Rev: **1A**



Reserve AC termination for EMI



FeliCa Reserve



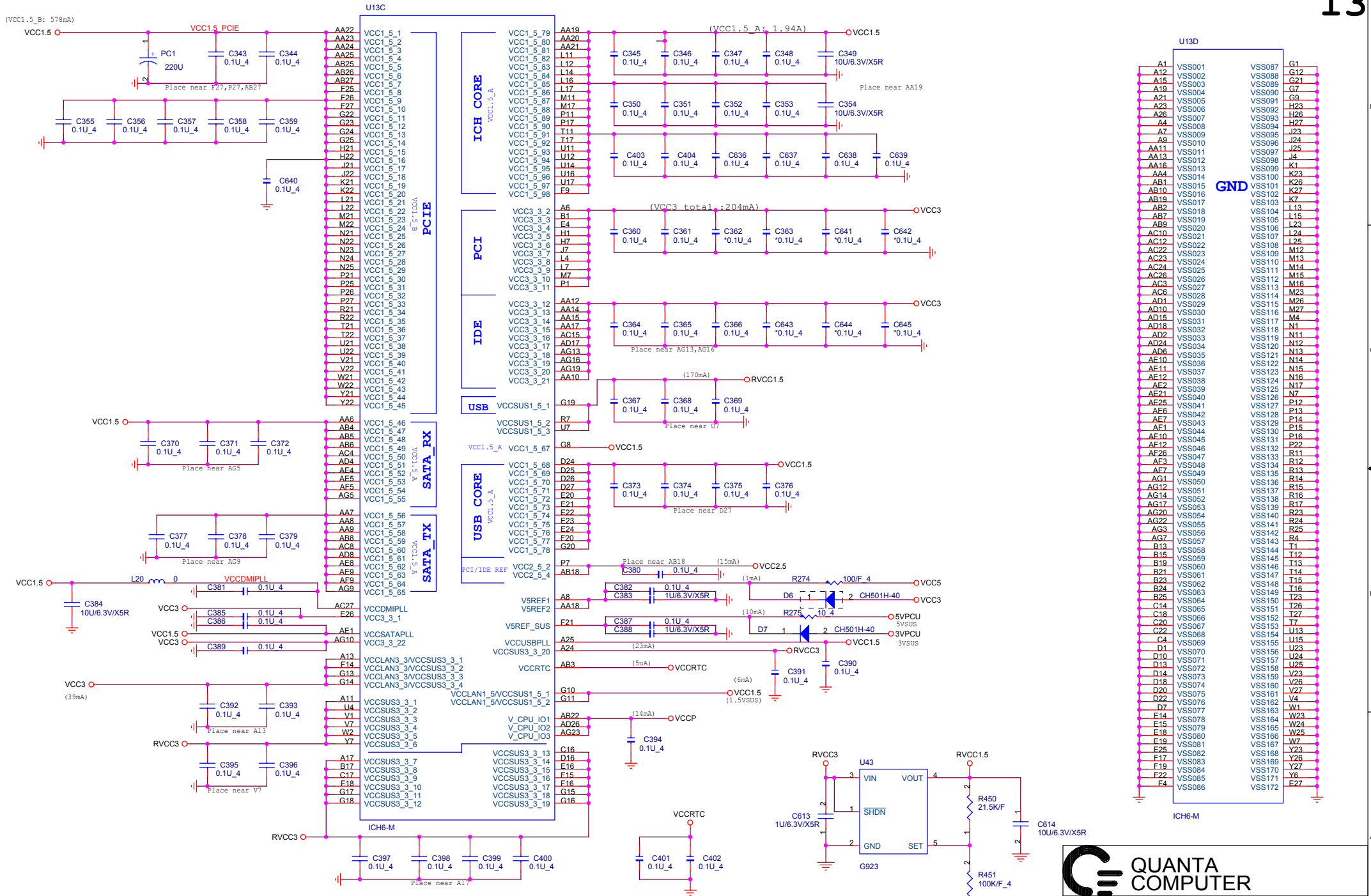
**QUANTA COMPUTER**

Title: ICH6-M

Size: Document Number: RD1 Main Board Rev 1A

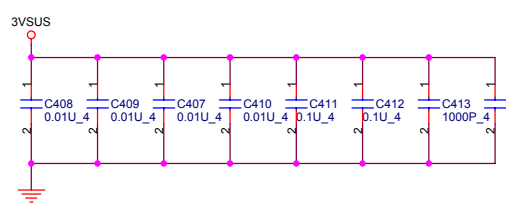
Date: Thursday, June 30, 2005 Sheet 12 of 32

1. This part should not contain any substances which are specified in SS-00259-1  
 2. Purchase ink, paint, wire rods and molding resins only from the business partners that Sony approves as Green Partners.

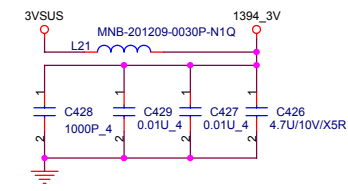


Title <b>ICH6-M</b>		
Size	Document Number <b>RD1 Main Board</b>	Rev 1A
Date	Saturday, June 25, 2005	Sheet 13 of 32

1.This part should not contain any substances which are specified in SS-00259-1  
 2.Purchase ink, paint, wire rods and molding resins only from the business partners that Sony approves as Green Partners.

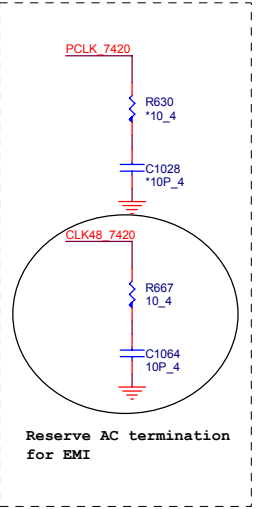
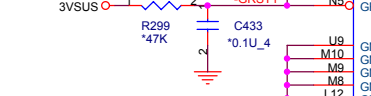


(11,17,19) PCI\_AD[0..31]

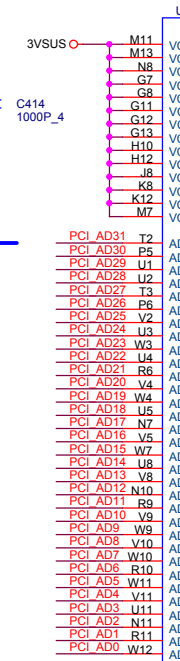


- (11,17,19) PCI\_CBE#3
- (11,17,19) PCI\_CBE#2
- (11,17,19) PCI\_CBE#1
- (11,17,19) PCI\_CBE#0
- (11,17,19) PCI\_PAR
- (11,17,19) PCI\_AD25
- (11) PCI\_RE#0
- (11) PCI\_GNT#0
- (11,17,19) PCI\_FRAME#
- (11,17,19) PCI\_IRDY#
- (11,17,19) PCI\_TRDY#
- (11,17,19) PCI\_DEVSEL#
- (11,17,19) PCI\_STOP#
- (11,17,19) PCI\_PERR#
- (11,17,19) PCI\_SERR#

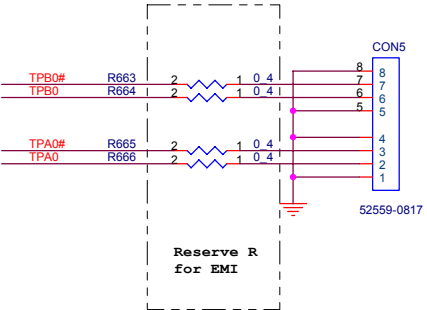
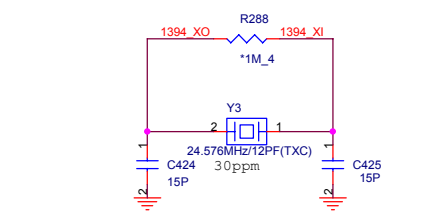
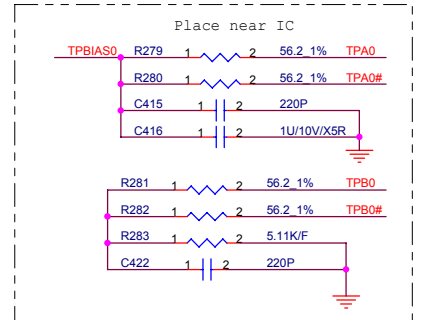
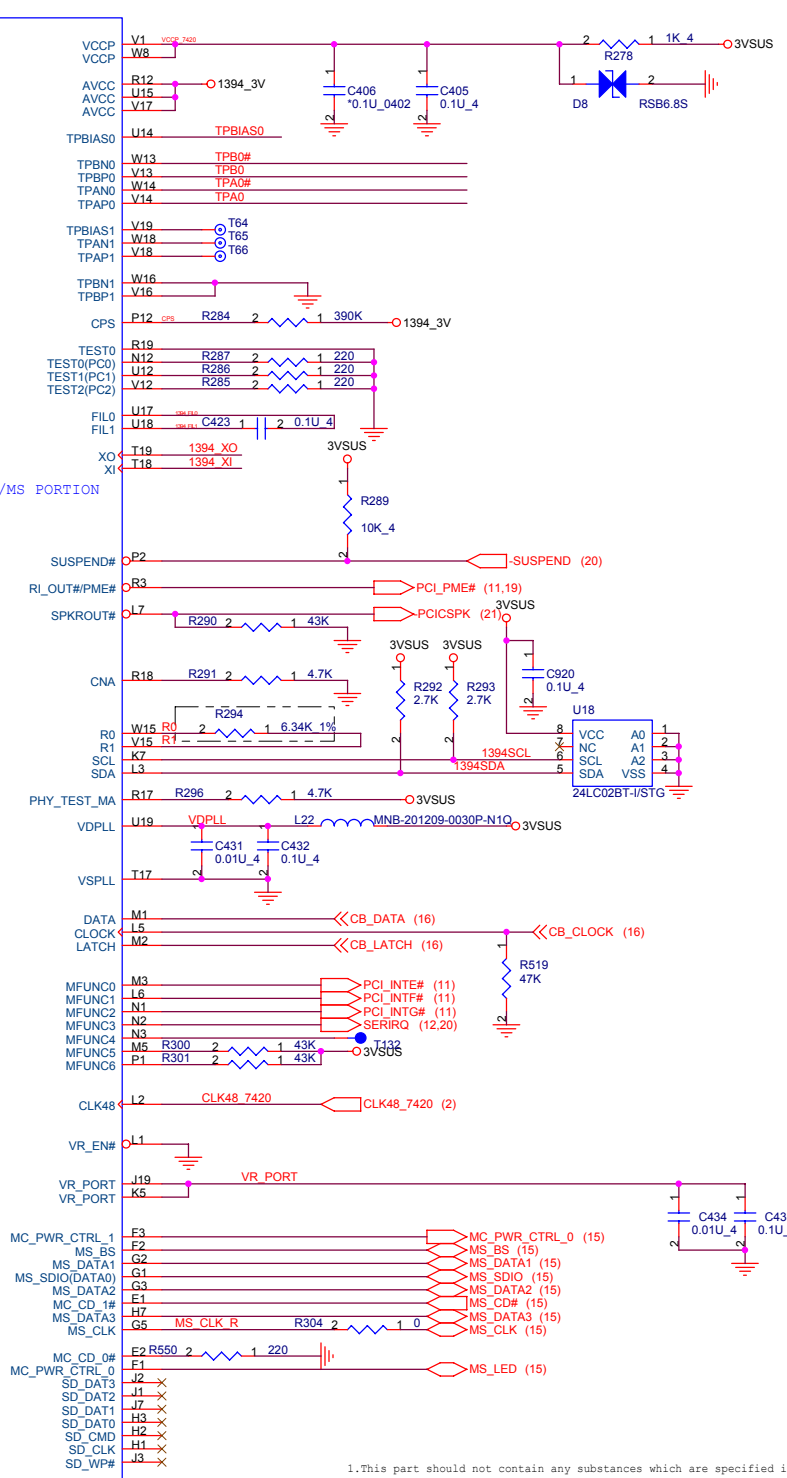
- (2) PCLK\_7420
- (11,16,17,19) PCI\_RST#
- (23,24,26) PGOOD



Reserve AC termination for EMI



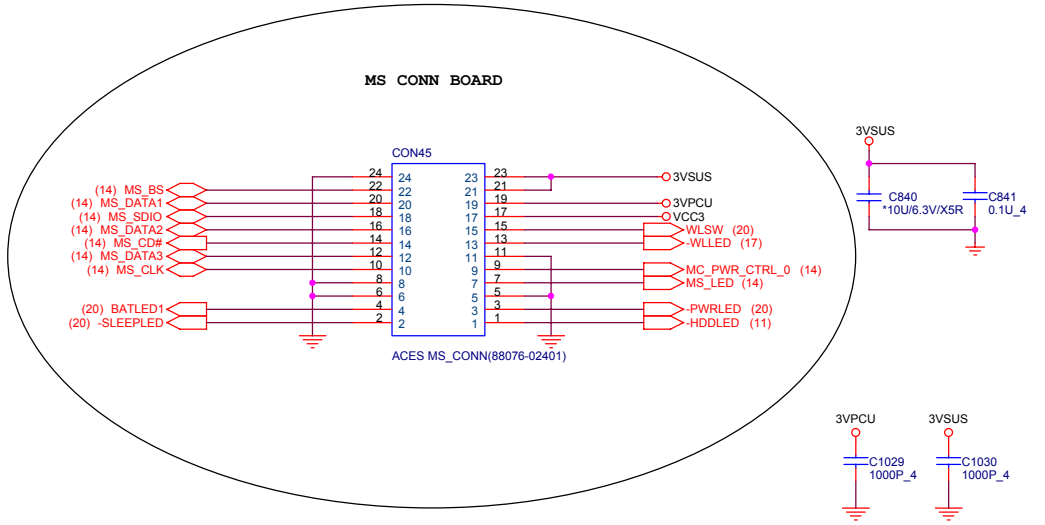
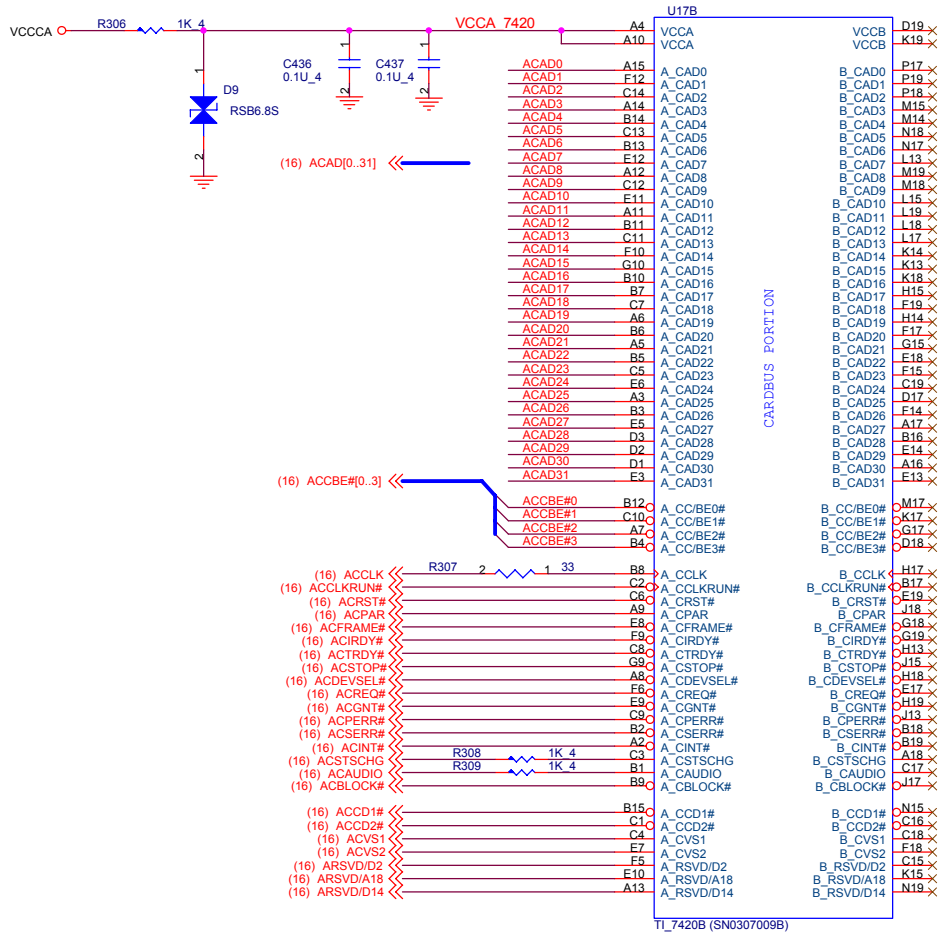
PCI/1394/MS PORTION



Title			
TI-7420 CardBus Control -- A			
Size	Document Number	Rev	
	RD1 Main Board	1A	
Date:	Saturday, July 02, 2005	Sheet	14 of 32

1. This part should not contain any substances which are specified in SS-00259-1  
 2. Purchase ink, paint, wire rods and molding resins only from the business partners that Sony approves as Green Partners.

MB side : ACES 88076-02401 with boss  
 MS side : ACES 88066-02401 with boss  
 H=2.0mm



**QUANTA COMPUTER**

Title: **TI-7420B CardBus Control -- B**

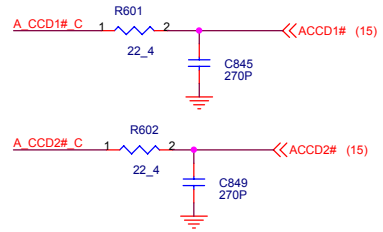
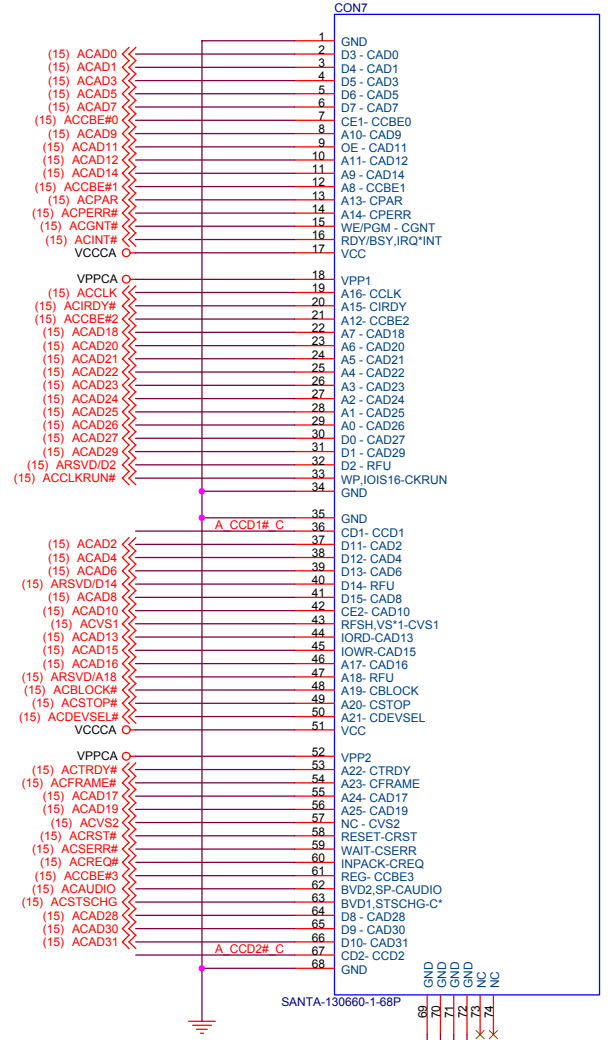
Size: Document Number **RD1 Main Board** Rev 1A

Date: Saturday, July 02, 2005 Sheet 15 of 32

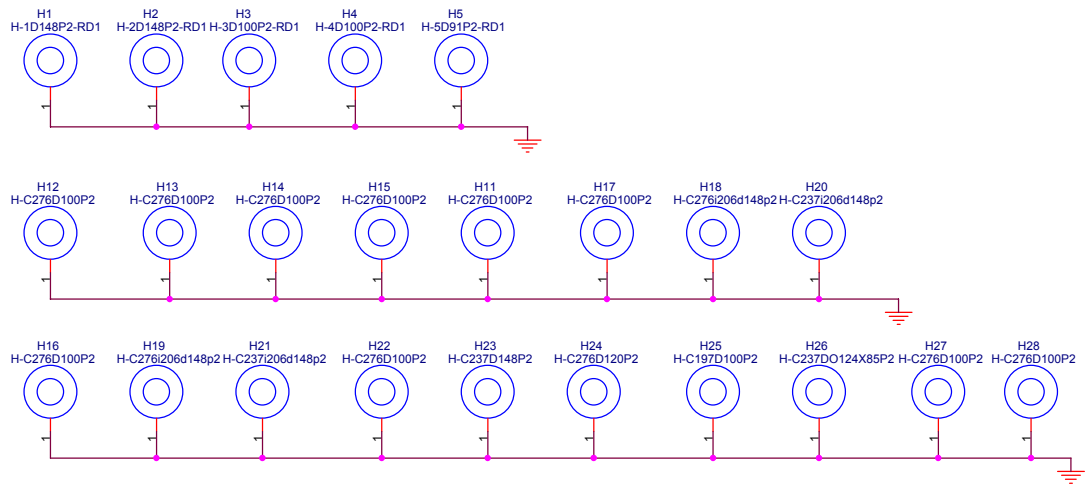
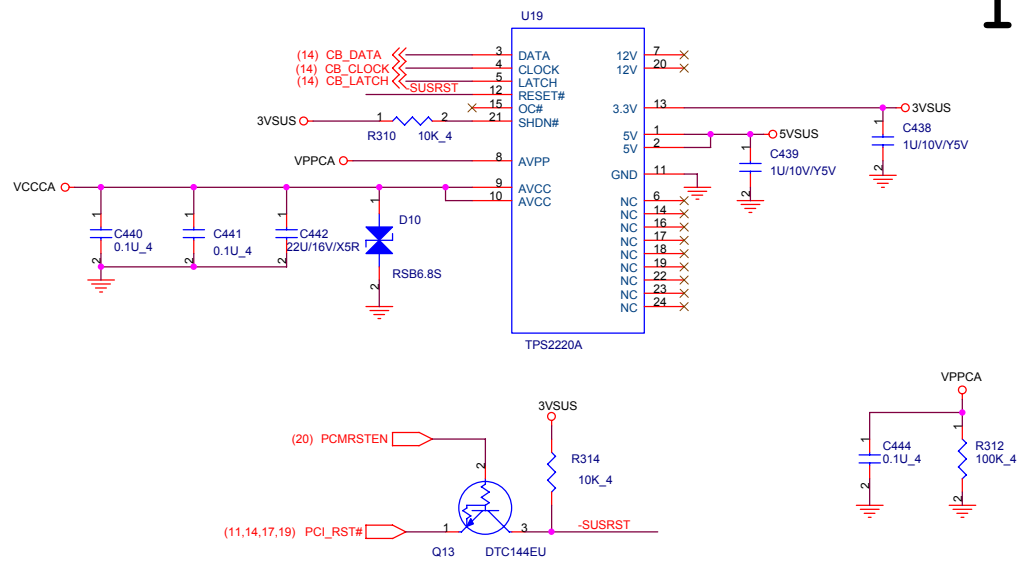
1.This part should not contain any substances which are specified in SS-00259-1  
 2.Purchase ink, paint, wire rods and molding resins only from the business partners that Sony approves as Green Partners.

(15) ACAD[0..31] << <<  
 (15) ACCBE#[0..3] << <<

PCMCIA SOCKET



CardBus inject : 130660-1 , FB0A6063017  
 CardBus CONN : 130610-1



**QUANTA COMPUTER**

Title: **CARDBUS SLOT**

Size: Document Number **RD1 Main Board** Rev 1A

Date: Saturday, July 02, 2005 Sheet 16 of 32

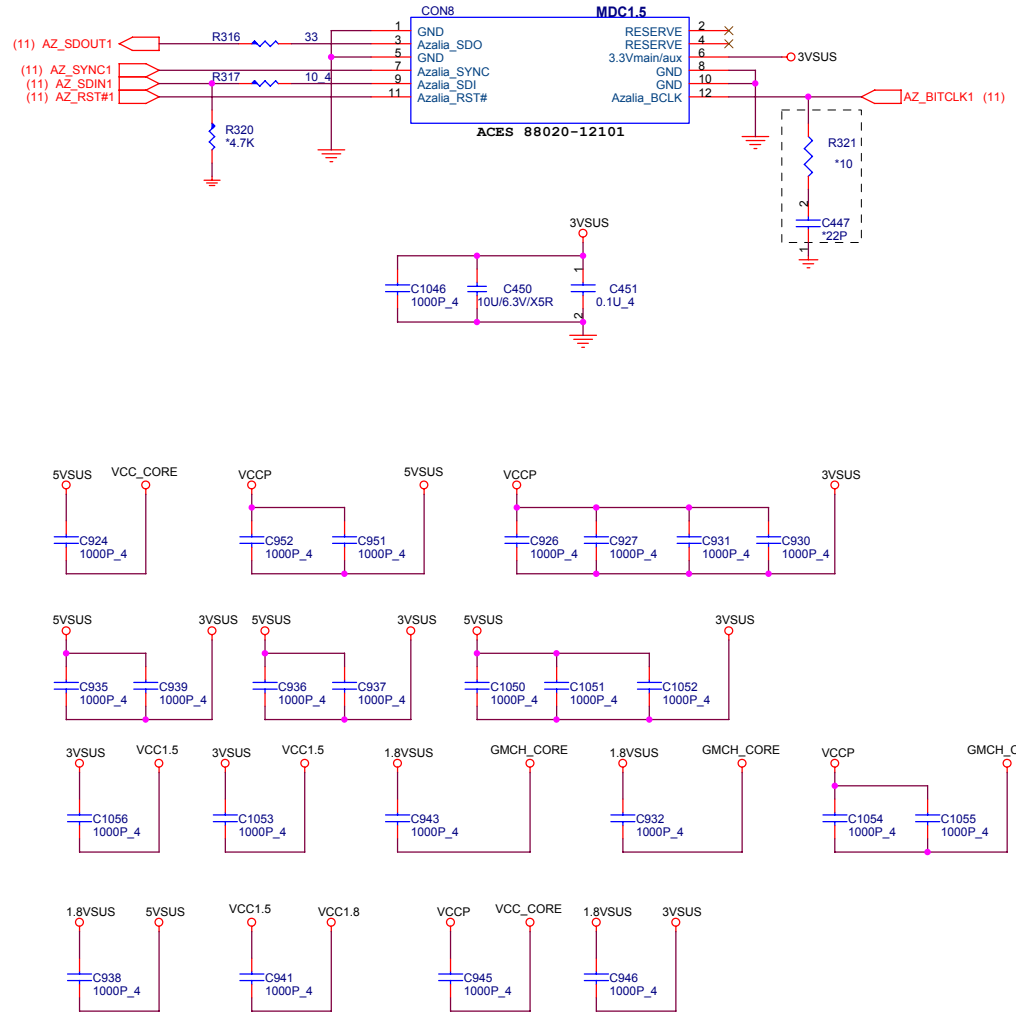
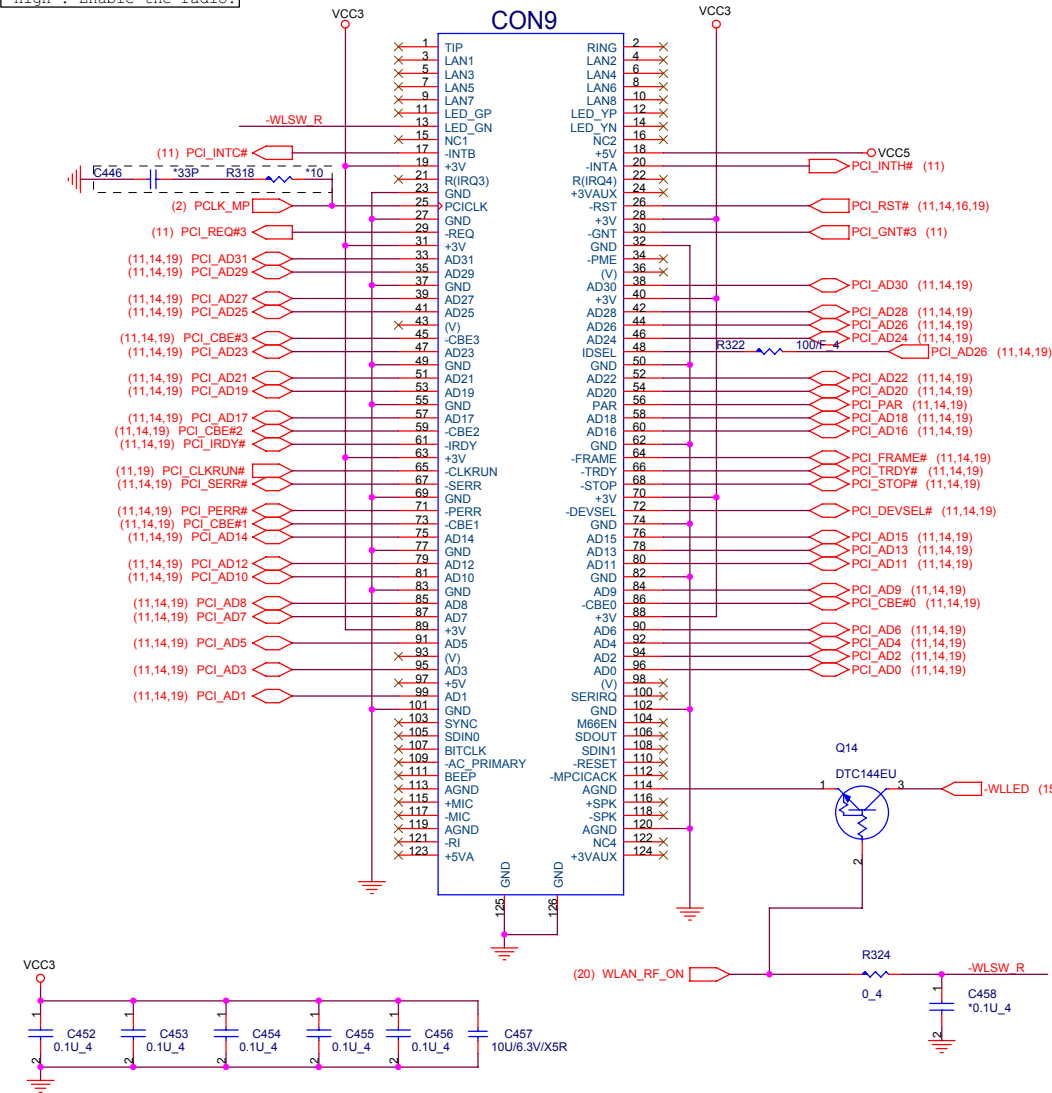
1.This part should not contain any substances which are specified in SS-00259-1  
 2.Purchase ink, paint, wire rods and molding resins only from the business partners that Sony approves as Green Partners.



# MDC V1.5

LED\_GP :LED WLEN LINK  
 Output Current : 7mA  
 Blink rate : 1 flash  
 per every 3 sec.  
 WLSW:  
 Low : disable the radio.  
 High : Enable the radio.

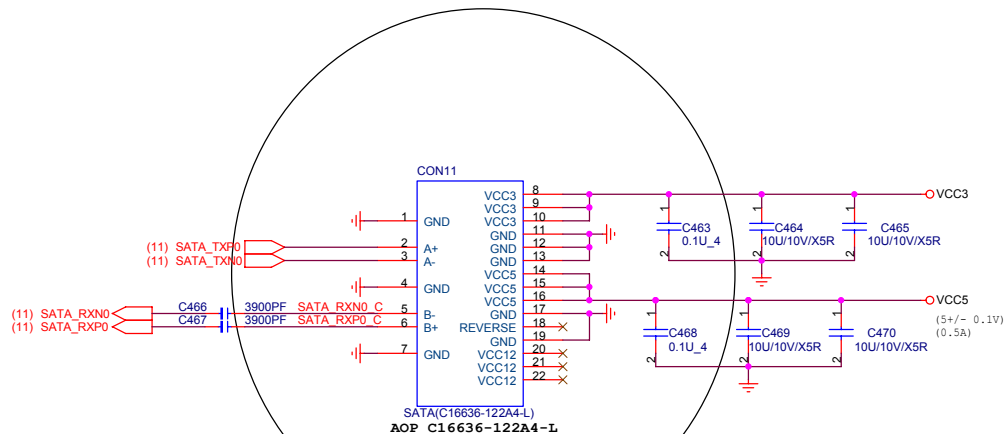
AMP 1734835-2  
 MINIPCI H=6.7  
 CON9



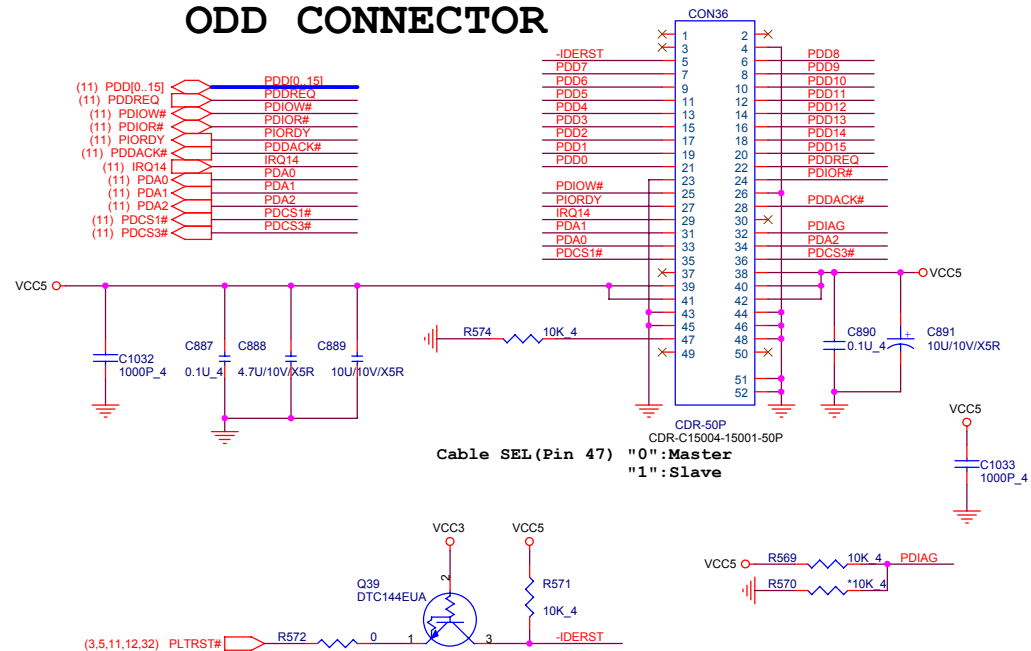
Title <b>MINIPCI /MDC</b>			
Size	Document Number	Rev	
	<b>RD1 Main Board</b>	17	1A
Date:	Thursday, June 30, 2005	Sheet	of 32

1.This part should not contain any substances which are specified in SS-00259-1  
 2.Purchase ink, paint, wire rods and molding resins only from the business partners that Sony approves as Green Partners.

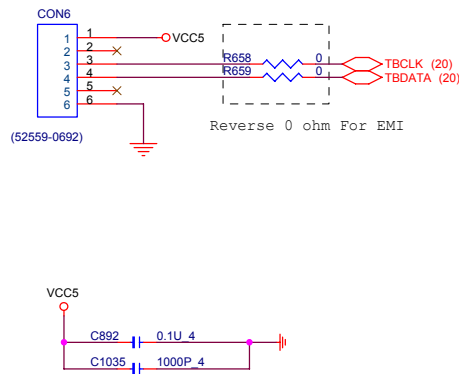
### HDD CONNECTOR



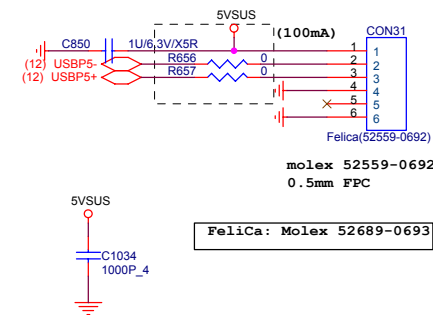
### ODD CONNECTOR



### TOUCH PAD CONNECTOR



### FeliCa



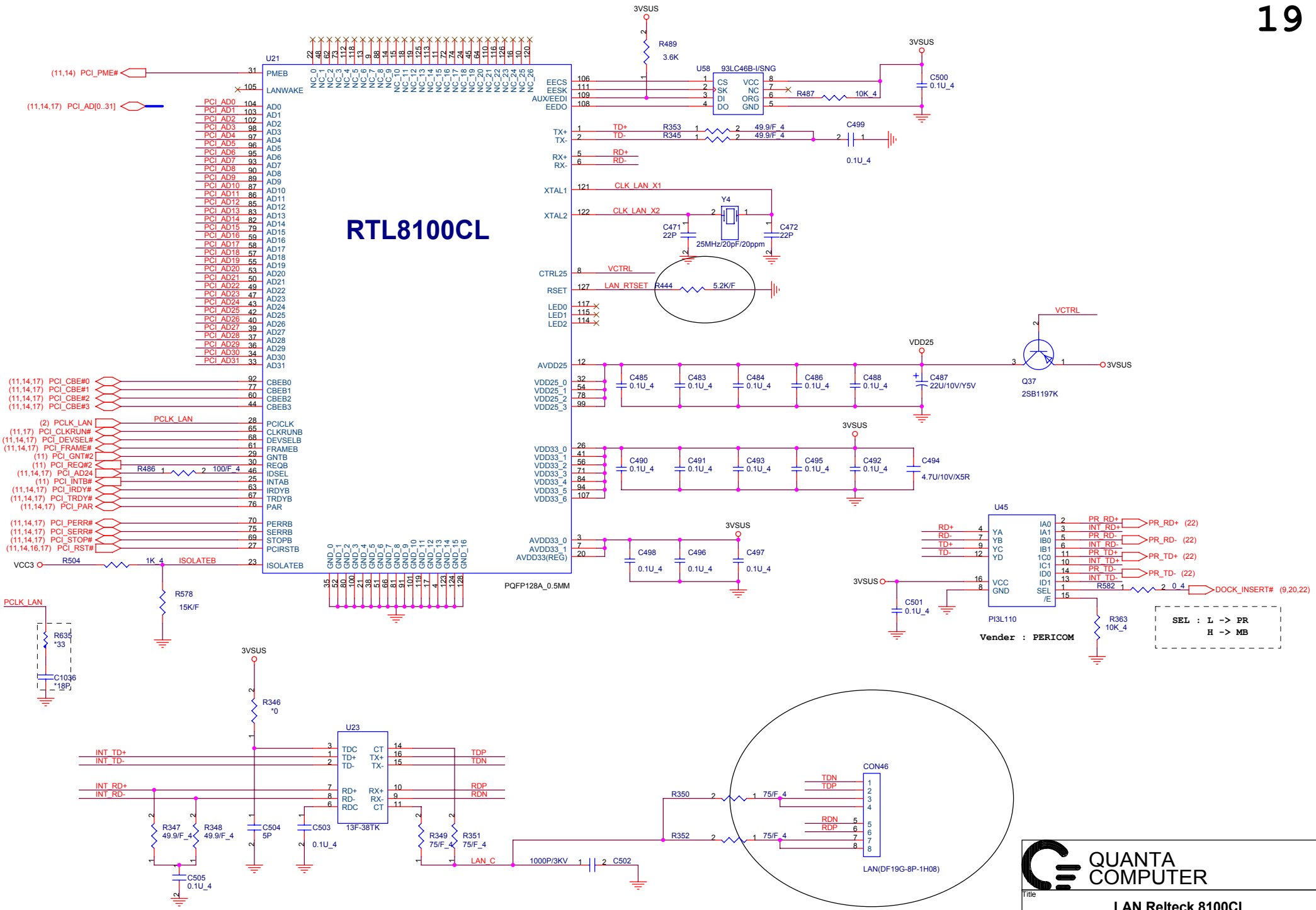
**QUANTA COMPUTER**

Title: **HDD/ODD/TP/FeliCa**

Size: Document Number **RD1 Main Board** Rev 1A

Date: Saturday, July 02, 2005 Sheet 18 of 32

1.This part should not contain any substances which are specified in SS-00259-1  
2.Purchase ink, paint, wire rods and molding resins only from the business partners that Sony approves as Green Partners.



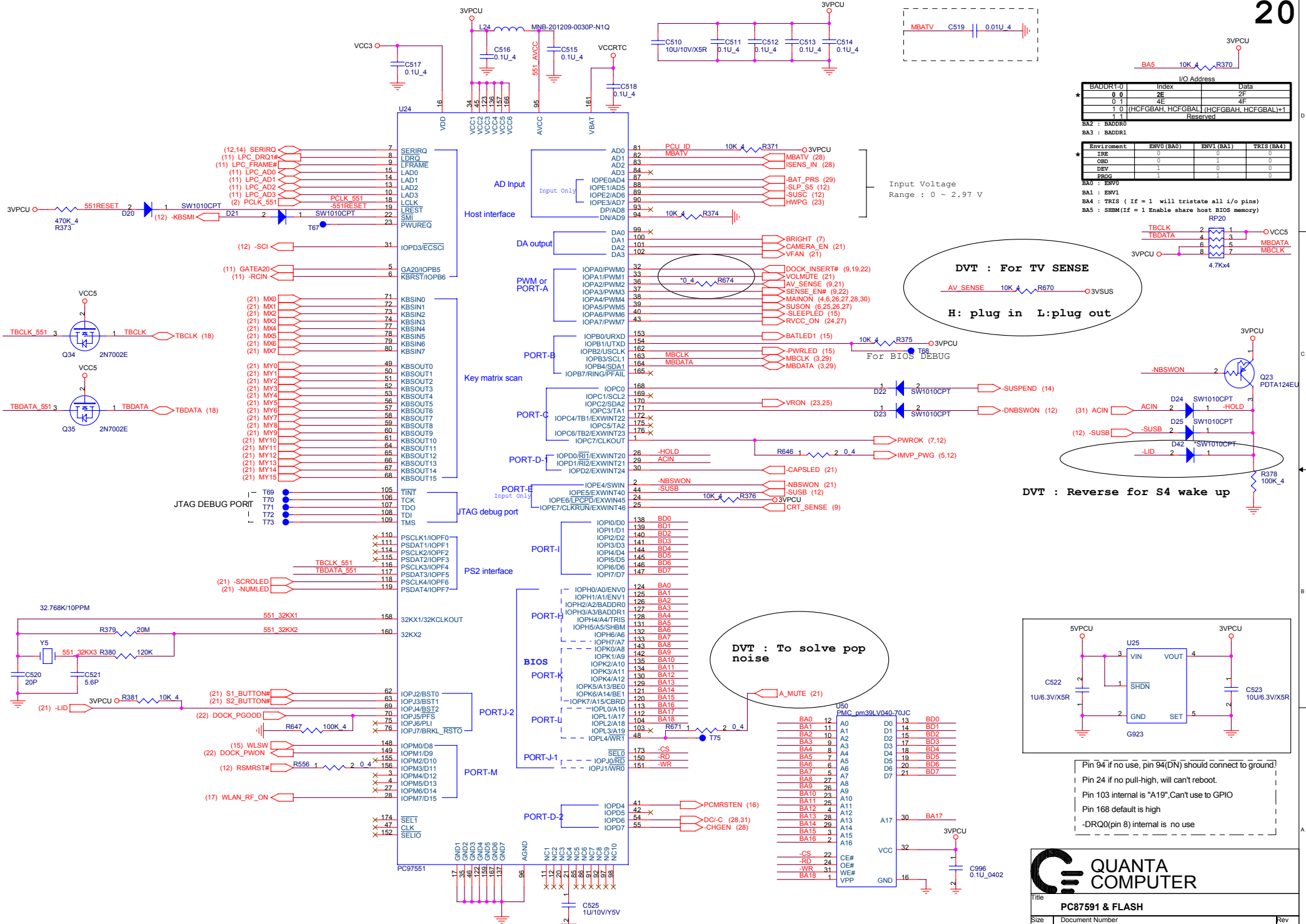
1.This part should not contain any substances which are specified in SS-00259-1  
 2.Purchase ink, paint, wire rods and molding resins only from the business partners that Sony approves as Green Partners.

**QUANTA COMPUTER**

Title: **LAN Relteck 8100CL**

Size: Document Number **RD1 Main Board** Rev 1A

Date: Saturday, July 02, 2005 Sheet 19 of 32

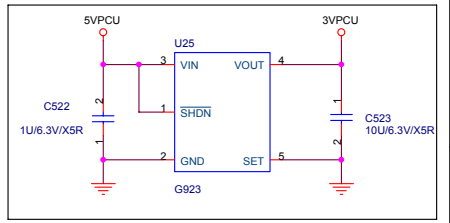
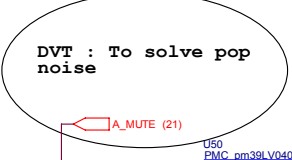
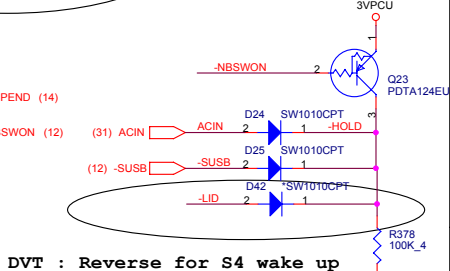
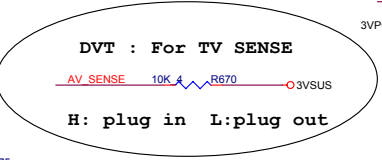


I/O Address		
BADDR[1:0]	Index	Data
0 0	2E	2F
0 1	4E	4F
1 0	(HCFGBA4_HCFGBAL   HCFGBA8_HCFGBAL)+1	
1 1	Reserved	

BA2 : BADDR0  
BA3 : BADDR1

Environment	ENV0 (BA0)	ENV1 (BA1)	TRIS (BA4)
OSD	0	1	0
DEV	1	0	0
PROG	1	1	0

BA1 : ENV0  
BA1 : ENV1  
BA4 : TRIS ( If = 1 will tristate all i/o pins)  
BA5 : SBHM (if = 1 Enable share host BIOS memory)

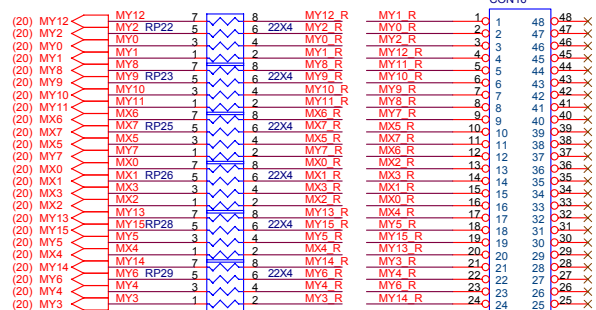
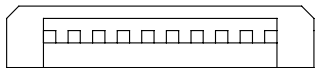


Pin 94 if no use, pin 94(DN) should connect to ground!  
Pin 24 if no pull-high, will can't reboot.  
Pin 103 internal is "A19", Can't use to GPIO  
Pin 168 default is high  
-DRQ0(pin 8) internal is no use



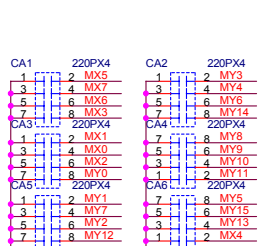
Title	PC87591 & FLASH	
Size	Document Number	Rev
	RD1 Main Board	1A

KEYBOARD



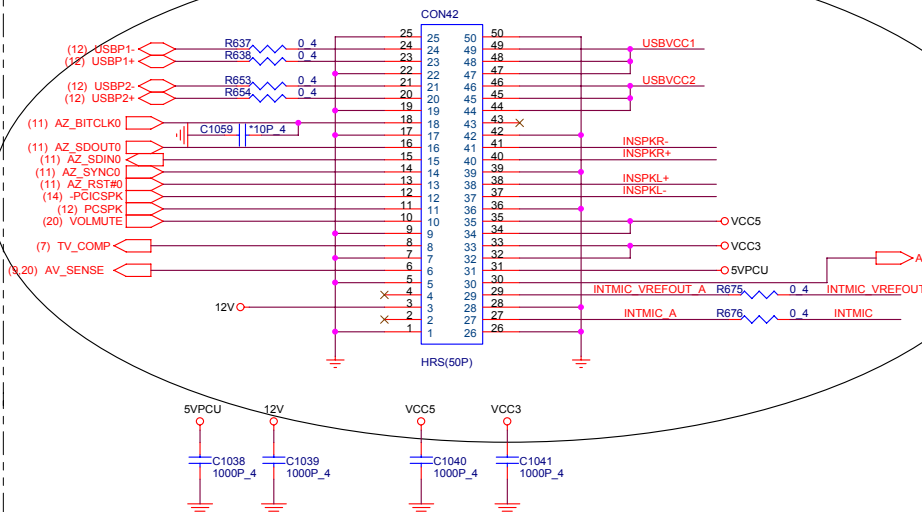
KB7641 series

Molex 52610-2490

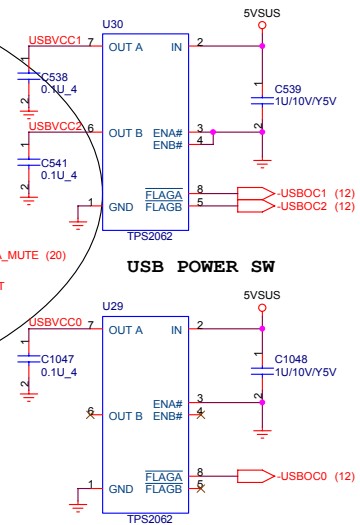


DVT : For EMI

To AUDIO-USB BOARD CONN.

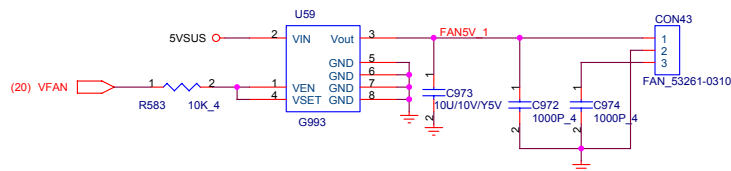


USB POWER SW



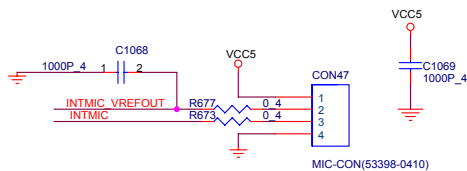
USB POWER SW

FAN

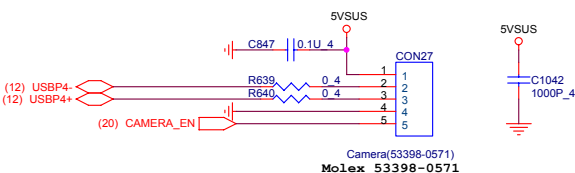


DVT : Add MIC CONN on MB

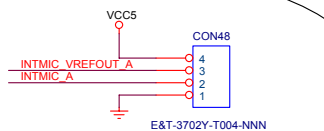
MIC CONN



USB Camera

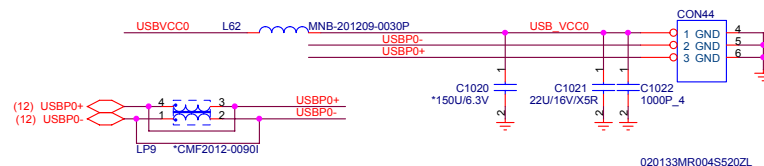


Camera(53398-0571)  
Molex 53398-0571



E&T-3702Y-T004-NNN

POWER SWITCH BOARD CONNECTOR



87151-2607-26P

**QUANTA COMPUTER**

File: **K/B ,USB ,PS**

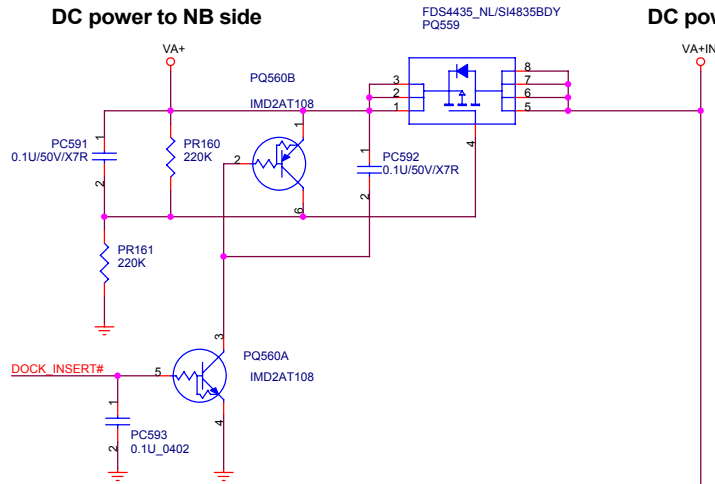
Size	Document Number	Rev
	<b>RD1 Main Board</b>	1A

Date: Saturday, July 02, 2005 Sheet 21 of 32

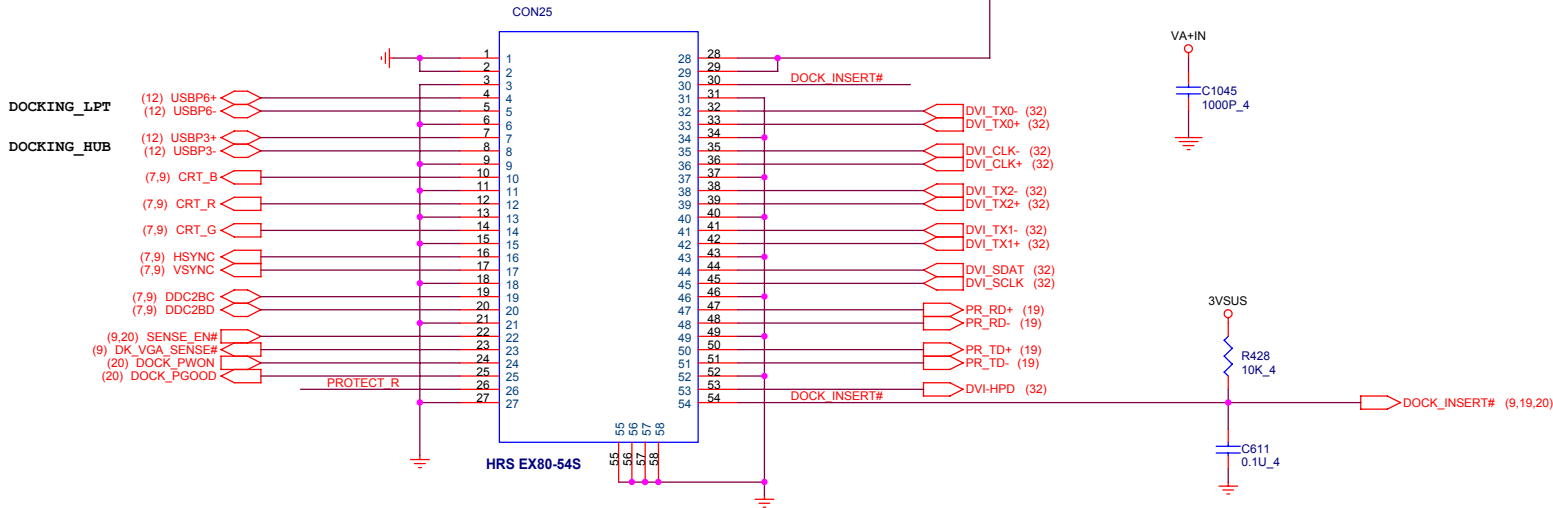
1. This part should not contain any substances which are specified in SS-00259-1  
 2. Purchase ink, paint, wire rods and molding resins only from the business partners that Sony approves as Green Partners.

DC power to NB side

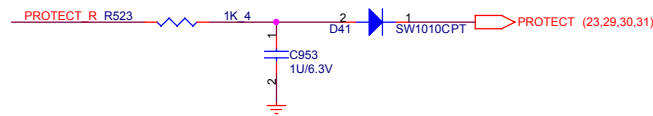
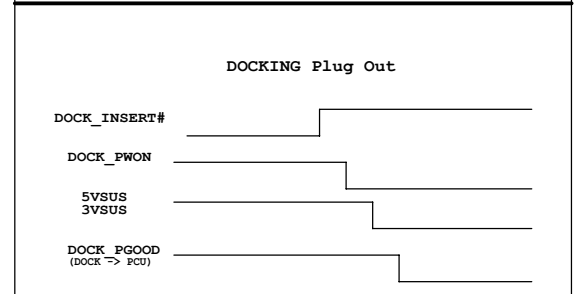
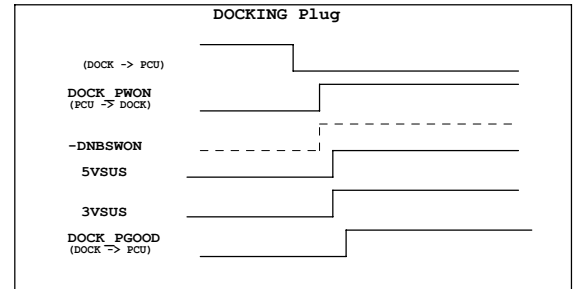
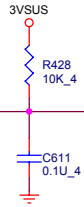
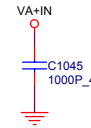
DC power from DOCKING side



Port Replicator CONN



Docking detect Pin : PIN3, PIN30 and PIN 54

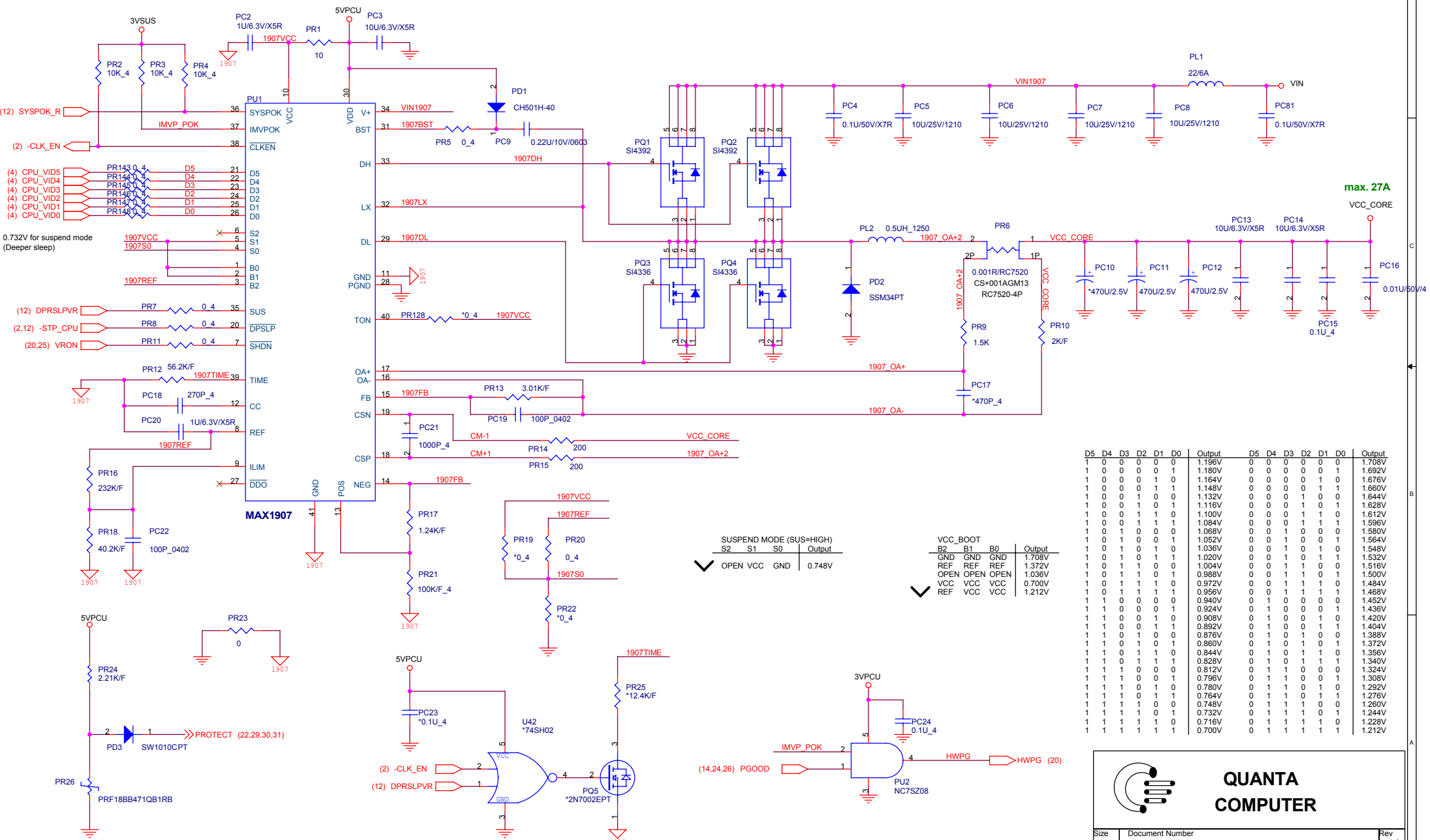


1. This part should not contain any substances which are specified in SS-00259-1  
 2. Purchase ink, paint, wire rods and molding resins only from the business partners that Sony approves as Green Partners.



Title <b>Docking</b>		
Size	Document Number <b>RD1 Main Board</b>	Rev 1A
Date: Thursday, June 30, 2005	Sheet 22 of 32	

# CPU CORE



max. 27A

SUSPEND MODE (SUS=HIGH)

S2	S1	S0	Output
✓	OPEN	VCC	GND
✓	OPEN	VCC	0.748V

VCC\_BOOT

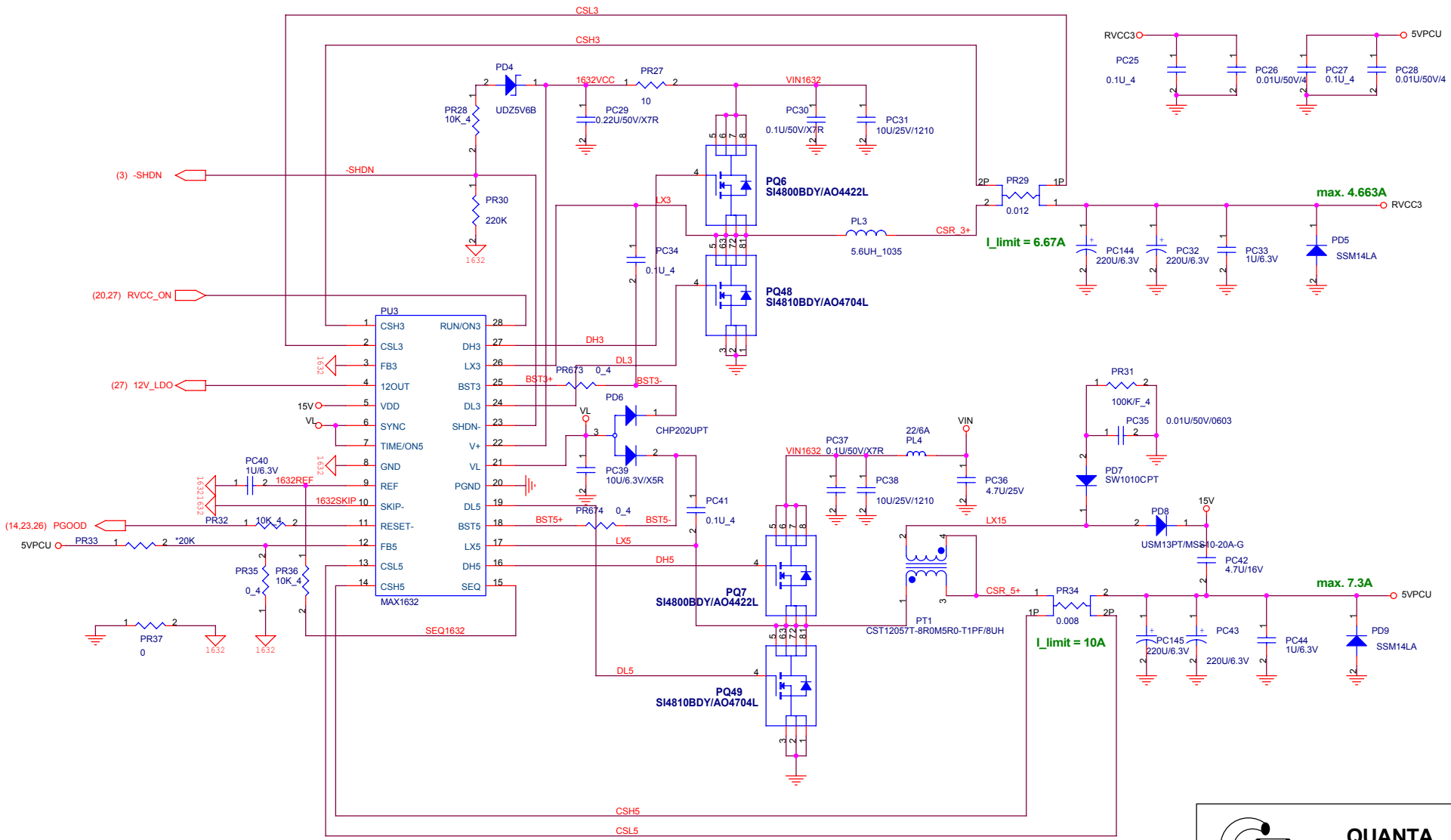
B2	B1	B0	Output
GND	GND	GND	1.708V
REF	REF	REF	1.372V
OPEN	OPEN	OPEN	1.036V
VCC	VCC	VCC	0.700V
REF	VCC	VCC	1.212V


D5	D4	D3	D2	D1	D0	Output	D5	D4	D3	D2	D1	D0	Output
1	0	0	0	0	0	1.196V	0	0	0	0	0	0	1.708V
1	0	0	0	0	1	1.180V	0	0	0	0	0	1	1.692V
1	0	0	0	1	0	1.164V	0	0	0	0	1	0	1.676V
1	0	0	0	1	1	1.148V	0	0	0	0	1	1	1.660V
1	0	0	1	0	0	1.132V	0	0	0	1	0	0	1.644V
1	0	0	1	0	1	1.116V	0	0	0	1	0	1	1.628V
1	0	0	1	1	0	1.100V	0	0	1	1	0	0	1.612V
1	0	0	1	1	1	1.084V	0	0	1	1	1	1	1.596V
1	0	1	0	0	0	1.068V	0	0	1	0	0	0	1.580V
1	0	1	0	0	1	1.052V	0	0	1	0	0	1	1.564V
1	0	1	0	1	0	1.036V	0	0	1	0	1	0	1.548V
1	0	1	0	1	1	1.020V	0	0	1	0	1	1	1.532V
1	0	1	1	0	0	1.004V	0	0	1	1	0	0	1.516V
1	0	1	1	0	1	0.988V	0	0	1	1	0	1	1.500V
1	0	1	1	1	0	0.972V	0	0	1	1	1	0	1.484V
1	0	1	1	1	1	0.956V	0	0	1	1	1	1	1.468V
1	1	0	0	0	0	0.940V	0	1	0	0	0	0	1.452V
1	1	0	0	0	1	0.924V	0	1	0	0	0	1	1.436V
1	1	0	0	1	0	0.908V	0	1	0	0	1	0	1.420V
1	1	0	0	1	1	0.892V	0	1	0	0	1	1	1.404V
1	1	0	1	0	0	0.876V	0	1	0	1	0	0	1.388V
1	1	0	1	0	1	0.860V	0	1	0	1	0	1	1.372V
1	1	0	1	1	0	0.844V	0	1	0	1	1	0	1.356V
1	1	0	1	1	1	0.828V	0	1	0	1	1	1	1.340V
1	1	1	0	0	0	0.812V	0	1	1	0	0	0	1.324V
1	1	1	0	0	1	0.796V	0	1	1	0	0	1	1.308V
1	1	1	0	1	0	0.780V	0	1	1	0	1	0	1.292V
1	1	1	0	1	1	0.764V	0	1	1	0	1	1	1.276V
1	1	1	1	0	0	0.748V	0	1	1	1	0	0	1.260V
1	1	1	1	0	1	0.732V	0	1	1	1	0	1	1.244V
1	1	1	1	1	0	0.716V	0	1	1	1	1	0	1.228V
1	1	1	1	1	1	0.700V	0	1	1	1	1	1	1.212V

1.This part should not contain any substances which are specified in S8-00259-1  
 2.Purchase ink, paint, wire rods and molding resins only from the business partners that Sony approves as Green Partners.

**QUANTA  
COMPUTER**

Size	Document Number	Rev
	<b>RD1 Main Board</b>	<b>1A</b>
Date:	Thursday, June 30, 2005	Sheet 23 of 32



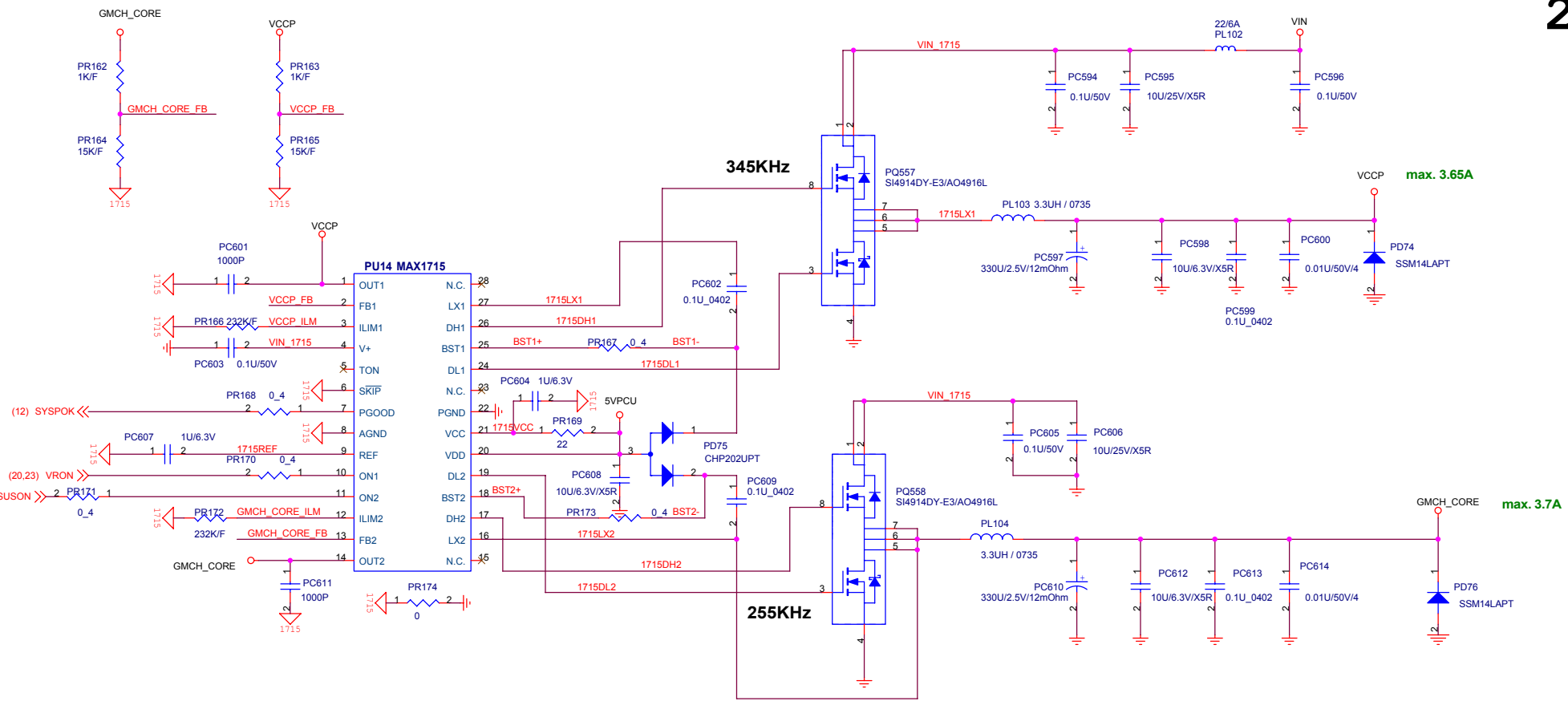


**QUANTA  
COMPUTER**

Size	Document Number	Rev
	<b>RD1 Main Board</b>	<b>1A</b>
Date: Thursday, June 30, 2005		Sheet 24 of 32

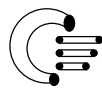
1.This part should not contain any substances which are specified in SS-00259-1  
 2.Purchase ink, paint, wire rods and molding resins only from the business partners that Sony approves as Green Partners.

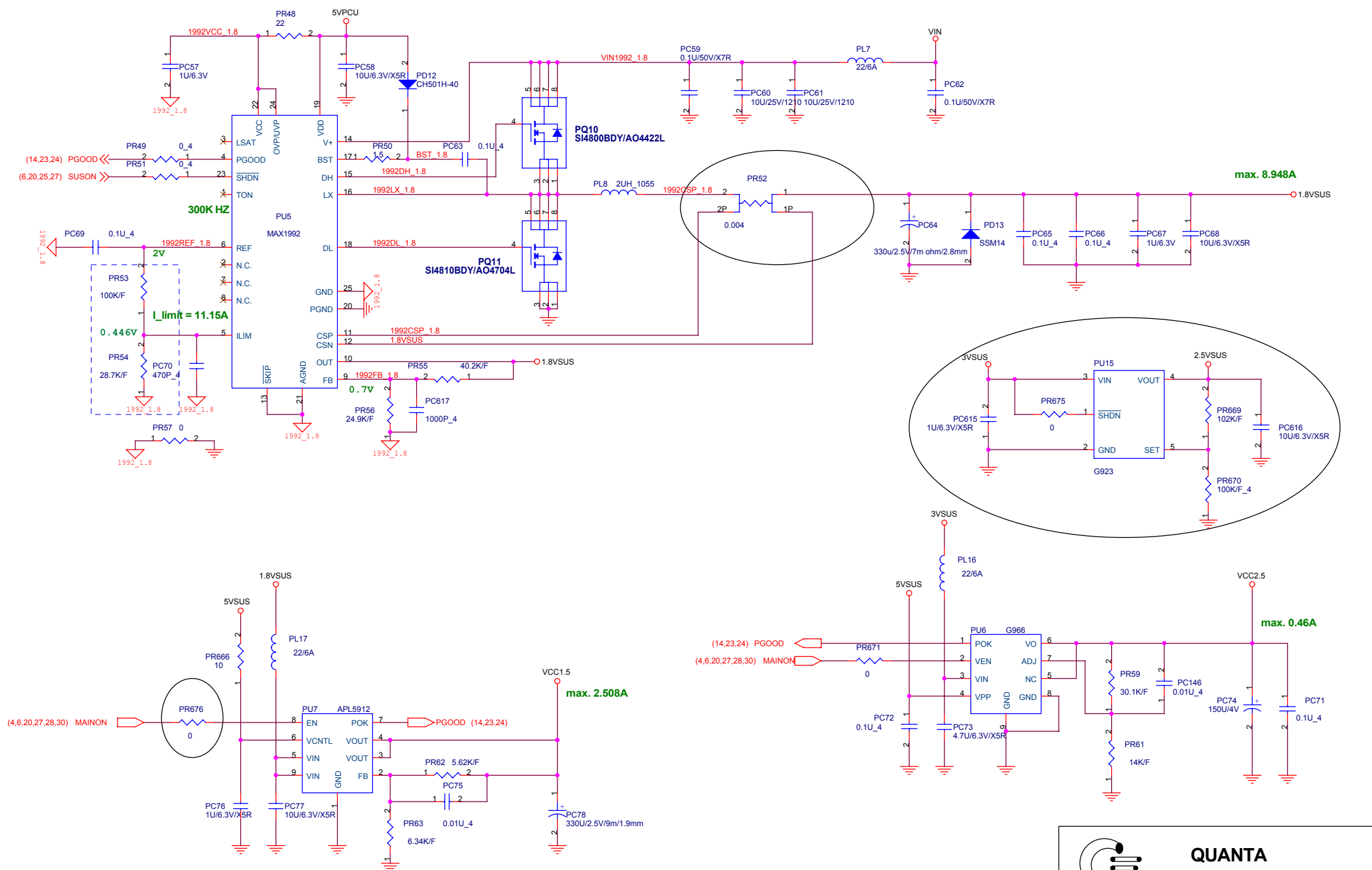




(12) SYSPOK <<<  
 (20,23) VRON >>>  
 (6,20,26,27) SUSON >>>

1. This part should not contain any substances which are specified in SS-00259-1  
 2. Purchase ink, paint, wire rods and molding resins only from the business partners that Sony approves as Green Partners.

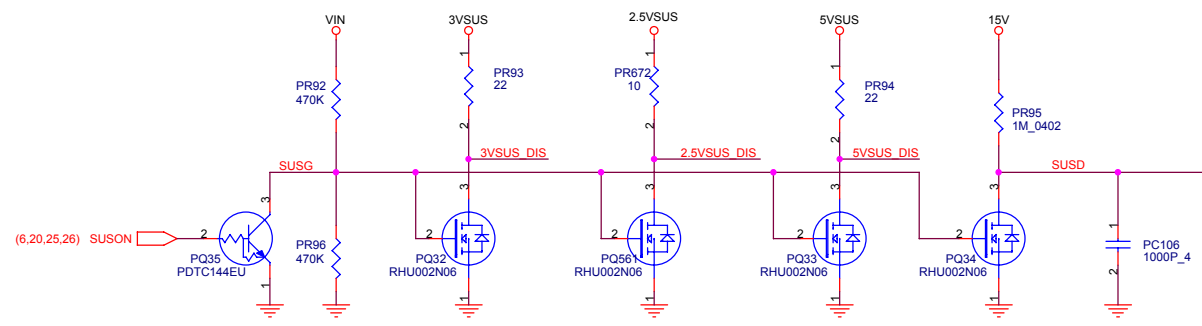
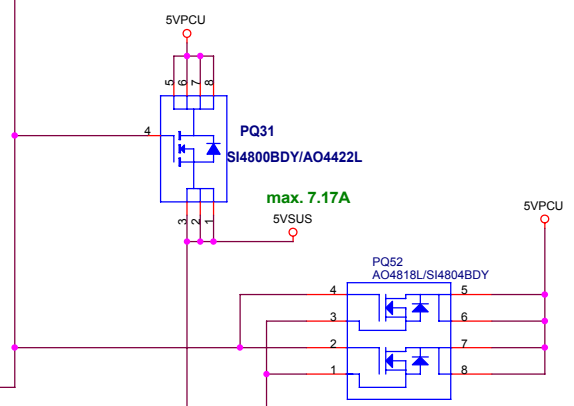
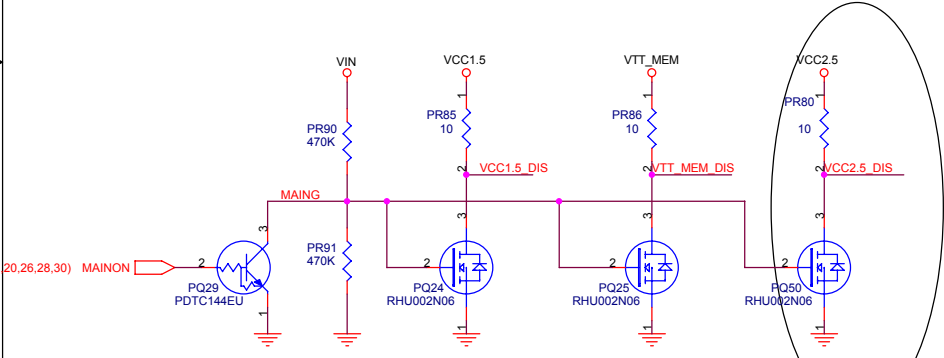
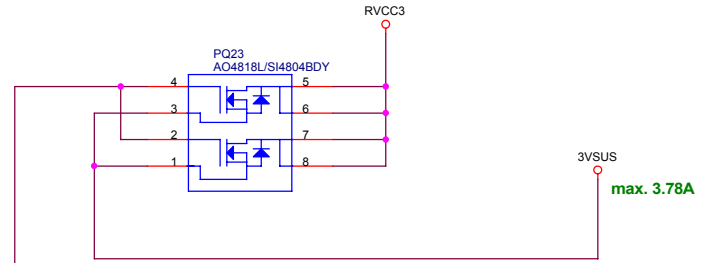
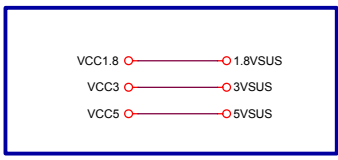
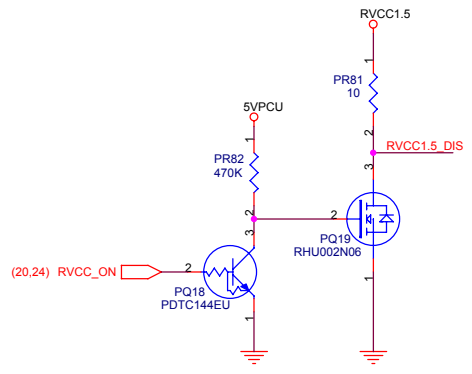
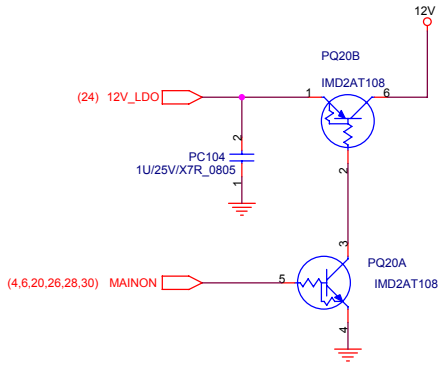
 <b>QUANTA COMPUTER</b>		Size	Document Number	Rev
		<b>RD1 Main Board</b>		<b>1A</b>
Date: Thursday, June 30, 2005		Sheet 25 of 32		



**QUANTA  
COMPUTER**

Size	Document Number	Rev
	<b>RD1 Main Board</b>	<b>1A</b>
Date: Thursday, June 30, 2005		Sheet 26 of 32

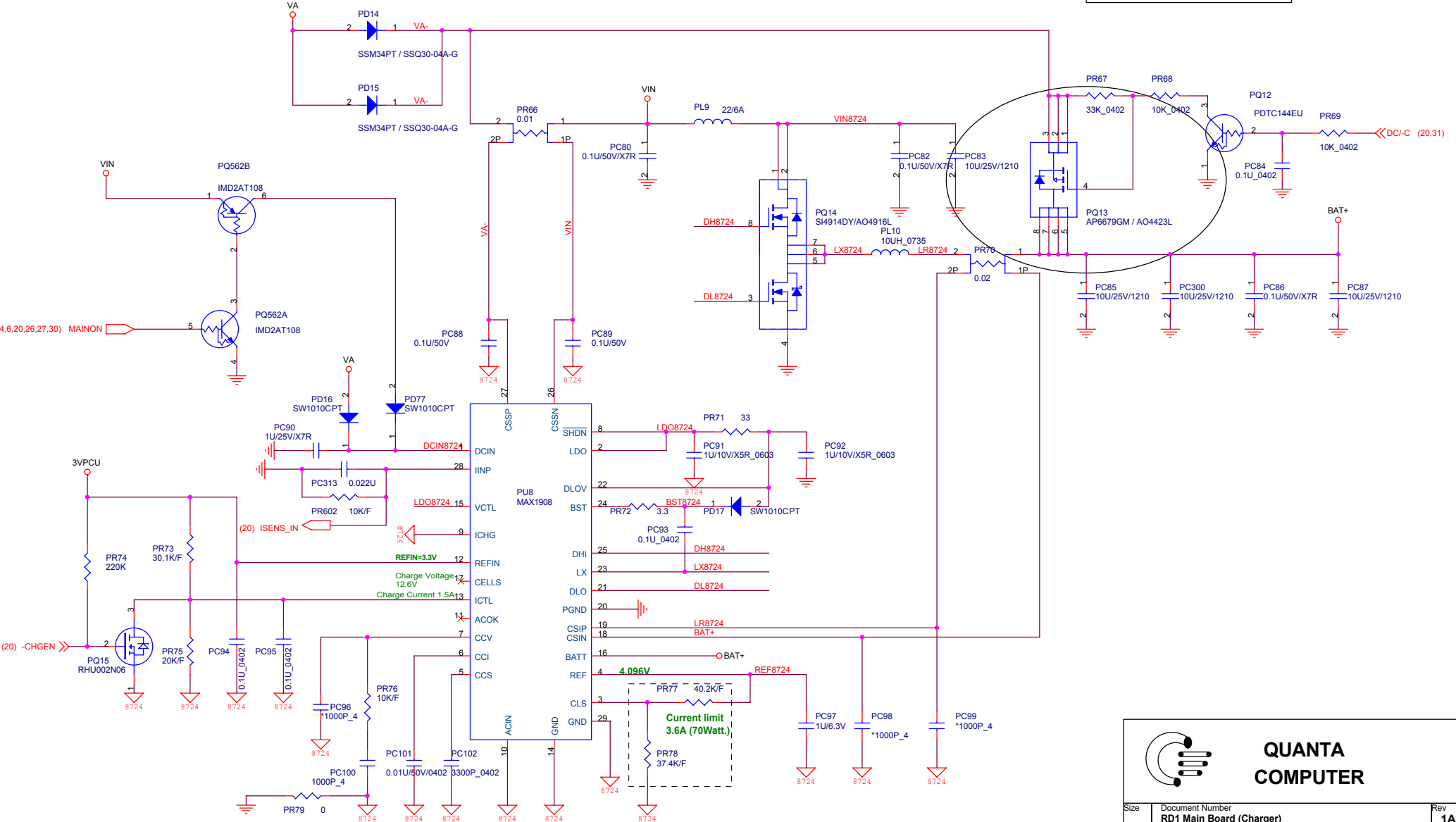
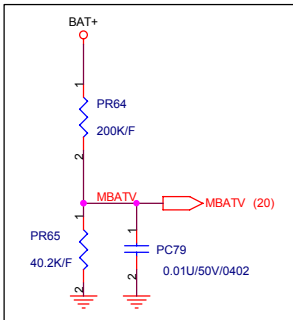
1.This part should not contain any substances which are specified in SS-00259-1  
 2.Purchase ink, paint, wire rods and molding resins only from the business partners that Sony approves as Green Partners.



**QUANTA COMPUTER**

Size	Document Number	Rev
	<b>RD1 Main Board</b>	<b>1A</b>
Date:	Thursday, June 30, 2005	Sheet 27 of 32

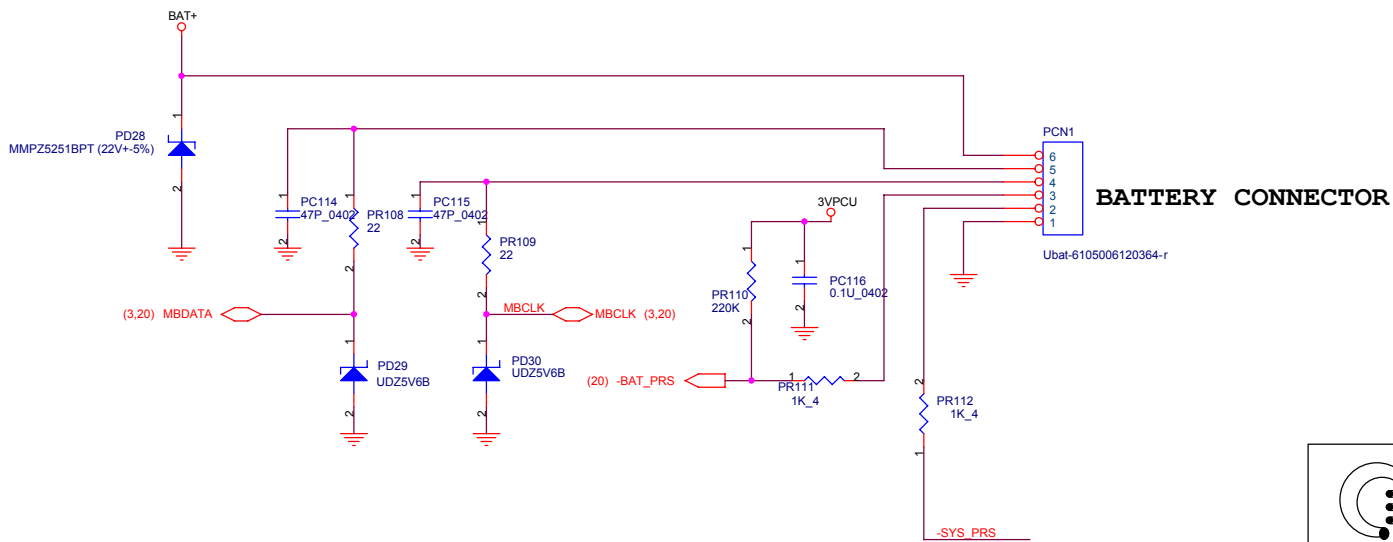
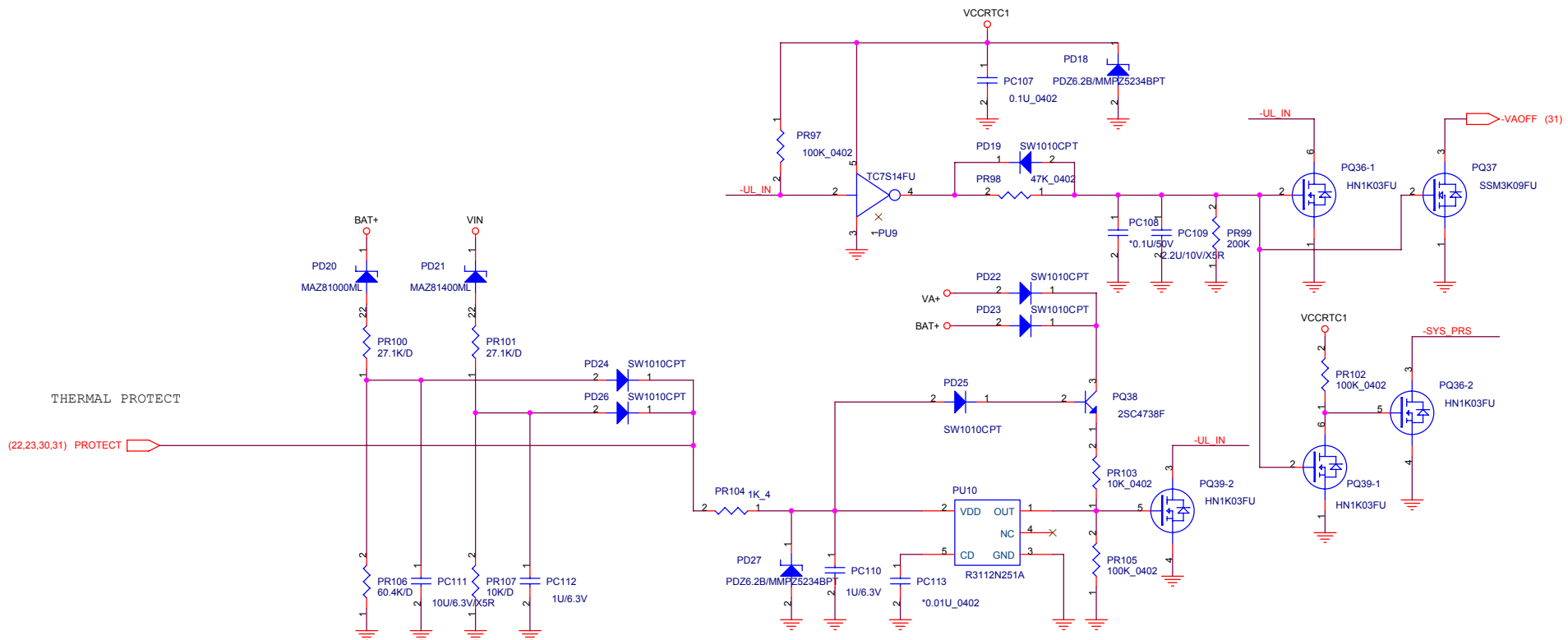
1. This part should not contain any substances which are specified in SS-00259-1  
 2. Purchase ink, paint, wire rods and molding resins only from the business partners that Sony approves as Green Partners.

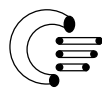


1. This part should not contain any substances which are specified in SS-00259-1  
 2. Purchase ink, paint, wire rods and molding resins only from the business partners that Sony approves as Green Partners.

**QUANTA  
COMPUTER**

Size	Document Number	Rev
	<b>RD1 Main Board (Charger)</b>	<b>1A</b>
Date: Thursday, June 30, 2005	Sheet 28 of 32	

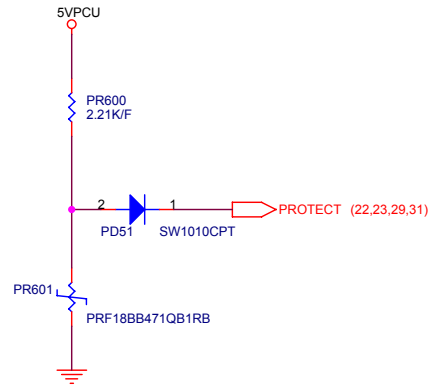
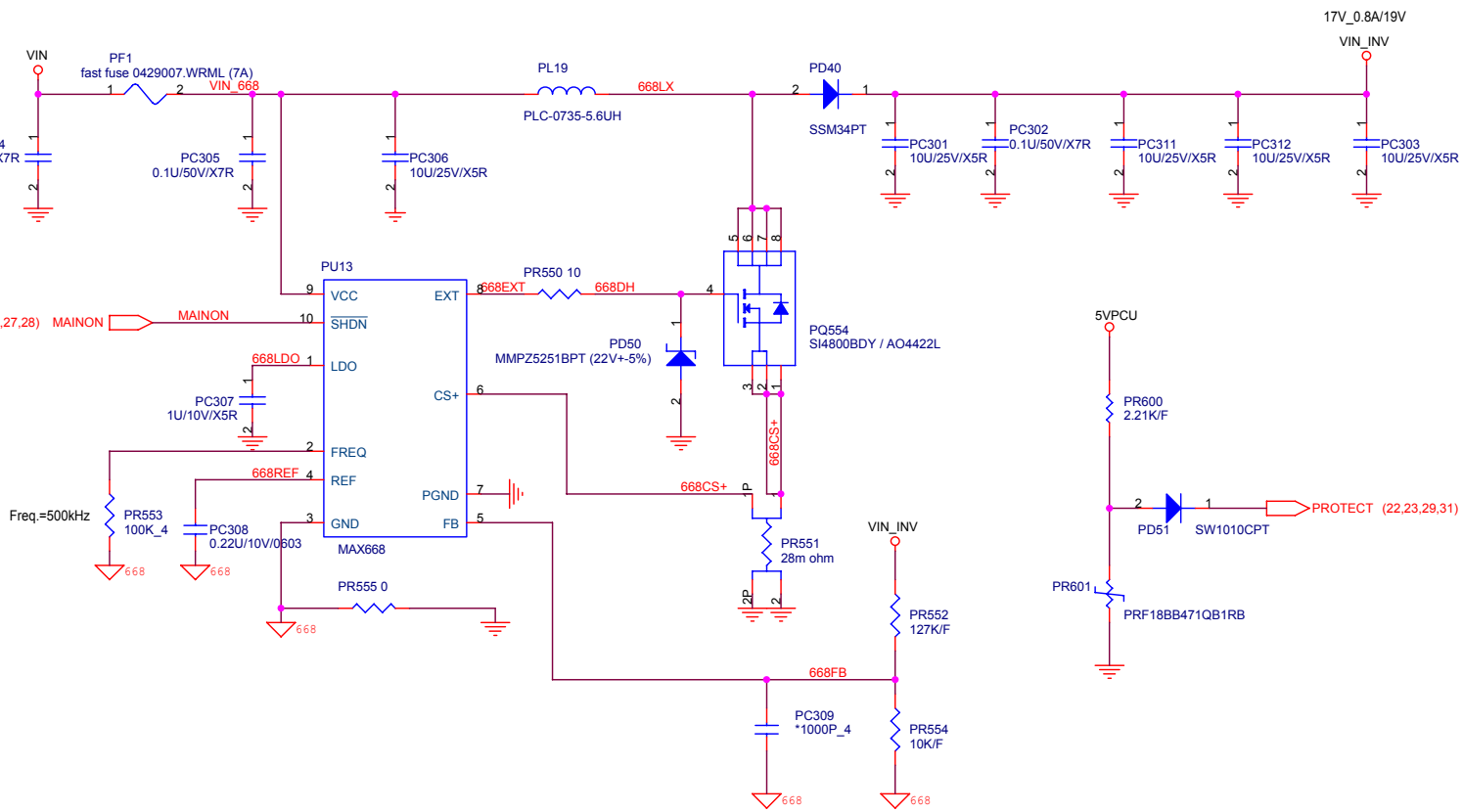




**QUANTA  
COMPUTER**

Size	Document Number	Rev
	<b>RD1 Main Board (Charger)</b>	<b>1A</b>
Date: Thursday, June 30, 2005      Sheet 29 of 32		

1. This part should not contain any substances which are specified in SS-00259-1  
 2. Purchase ink, paint, wire rods and molding resins only from the business partners that Sony approves as Green Partners.

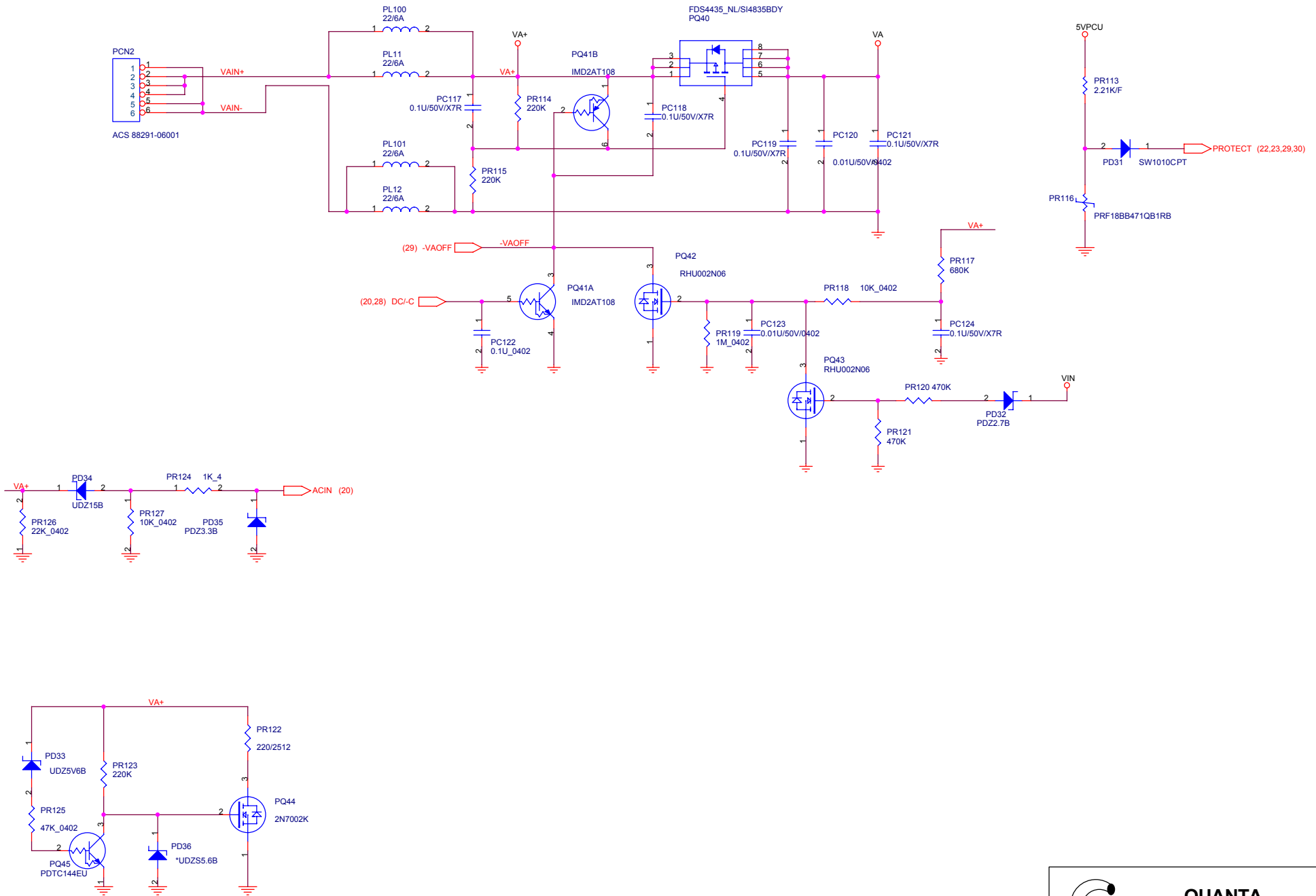


1.This part should not contain any substances which are specified in SS-00259-1  
 2.Purchase ink, paint, wire rods and molding resins only from the business partners that Sony approves as Green Partners.

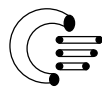


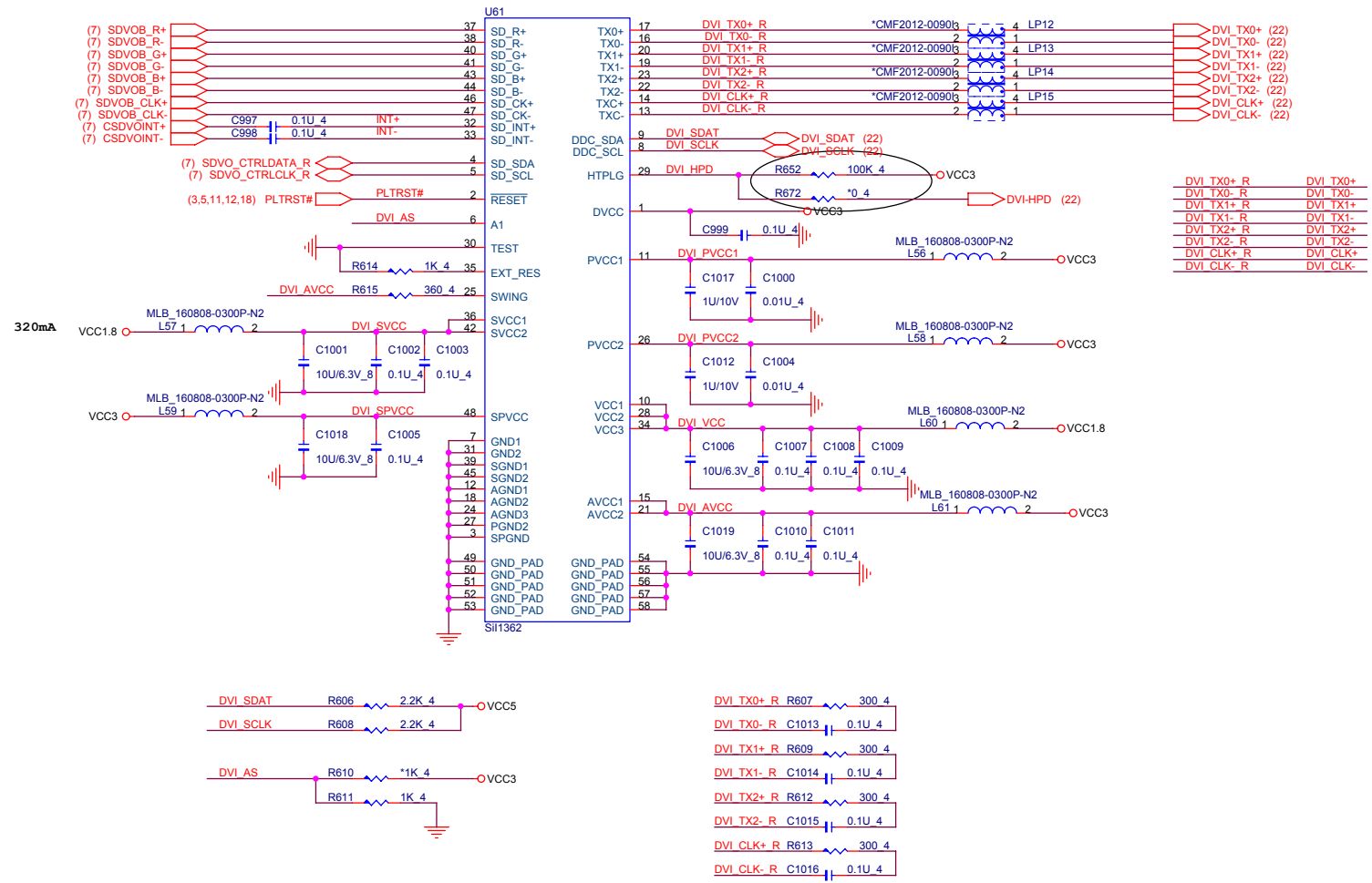
**QUANTA  
COMPUTER**

Size	Document Number	Rev
	<b>RD1 Main Board</b>	<b>1A</b>
Date:	Thursday, June 30, 2005	Sheet 30 of 32



1.This part should not contain any substances which are specified in SS-00259-1  
 2.Purchase ink, paint, wire rods and molding resins only from the business partners that Sony approves as Green Partners.

 <b>QUANTA COMPUTER</b>		Size
		Document Number <b>RD1 Main Board</b>
Date: Thursday, June 30, 2005	Sheet 31 of 32	Rev <b>1A</b>



**QUANTA COMPUTER**

Title: **DVI**

Size	Document Number	Rev
	<b>RD1 Main Board</b>	1A

Date: Thursday, June 30, 2005 Sheet 32 of 32